

Russian BM-21 Grad Multiple Rocket Launcher

俄罗斯BM-21“冰雹”122毫米多管火箭炮

READ BEFORE ASSEMBLY:

- Study and understand these instructions thoroughly before beginning assembly
- When needed, remove photo-etch parts carefully using a modeling knife or photo etch sprue cutter, being careful not to damage or lose small parts.
- Take extra care in handling photo etch parts in order to avoid injury
- Apply instant cement sparingly to photo etch parts where instructed
- Tools recommended(not included in kit):Plastic and instant cements, sprue cutters,long nose pliers,modeling knife, small files, tweezers, pin vise & scissors. Soft cloth and sandpaper will also assist in construction
- Glue and paint are not included in the kit. Use plastic cement and hobby paints only. Color guide for purchasing paint is included in the kit.

装配之前仔细阅读

- 小心用模型锉刀锉平所有零件表面的注射浇口。
- 小心用刀片切下蚀刻片零件，不要遗失小零件。
- 用强力快干胶水粘合蚀刻片零件和金属轴。过量快干胶水使用可能导致可动零件会粘住，小心涂胶。
- 取蚀刻片时应特别注意安全，防止利边划伤手指。
- 某些零件表面需贴上水贴纸，请选择在装配的同时进行。
- 推荐模型工具(自备)：胶水，水口剪刀，长咀钳，刀片，锉刀，镊子，钳，钻，剪刀，瞬间快干胶。
- 软布同砂纸同时也应该是必备工具。
- 请使用塑料胶水和油漆，模型内不含。



配重
Weight



使用强力胶
Cyanoacrylate glue



钻孔
Make hole



切除
Cut / Remove



贴纸
Decal



锉平
File / Sand



选择
Option



不涂胶水
No cement



弯曲
Bend

水贴纸的使用:

- 1.从水贴上剪下印花;
- 2.将印花放入温水中浸10秒,然后放在干净布上。
- 3.拿着印花纸板将印花移到模型上;
- 4.手指蘸水将印花移到适当的位置;
- 5.用软布轻压印花直至水干, 气泡消失

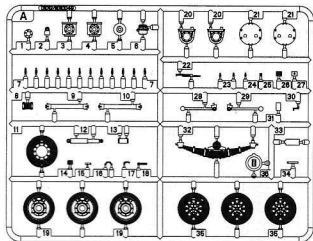
DECAL APPLICATION

- 1.Cut decals from sheet as needed
- 2.Dip the decal in warm water for about 10 seconds and then place on soft clean cloth.
- 3.Hold the decal backing sheet edge and gently slide the decal onto the model in its proper position.

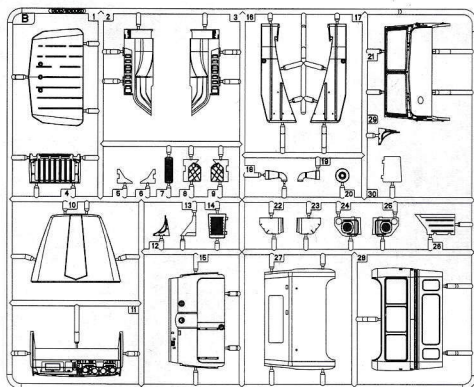
- 4.While still wet,decal can be adjusted for better fit on model by dampening it gently with your finger.
- 5.When placed in the proper position,gently press decal down with a soft cloth until excess water and air bubbles are gone.
- 6.Allow decal to dry completely before handling model

部品图 Parts

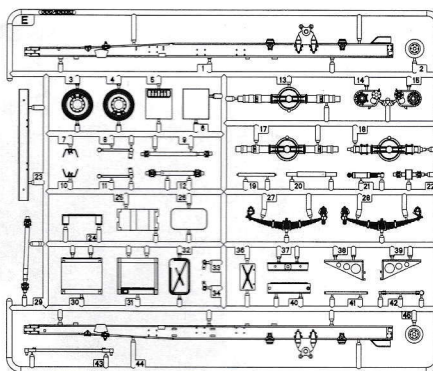
A×2



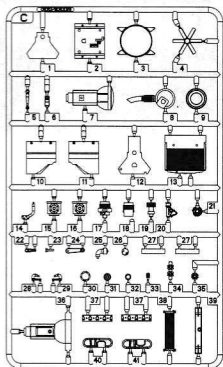
B



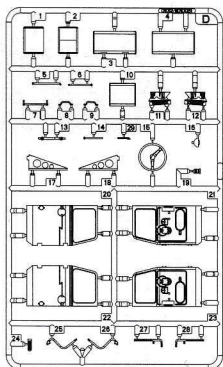
E



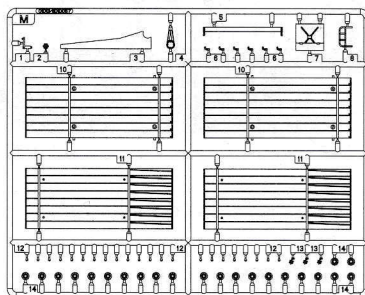
C



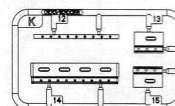
D



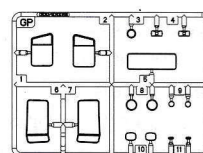
M×2



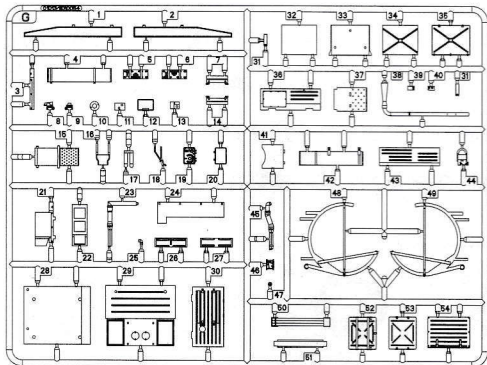
K



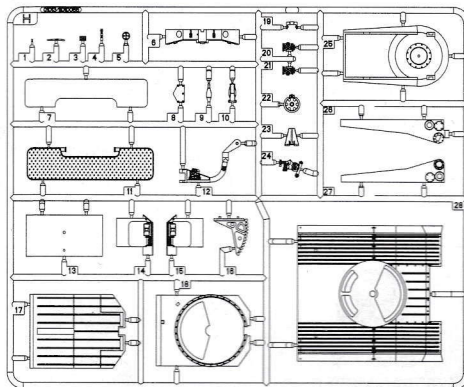
GP



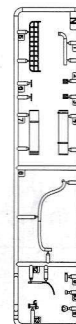
G



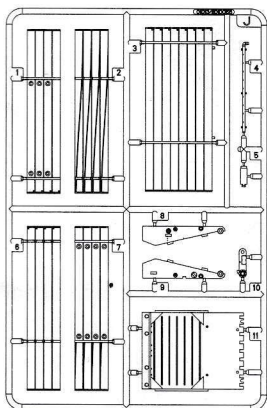
H



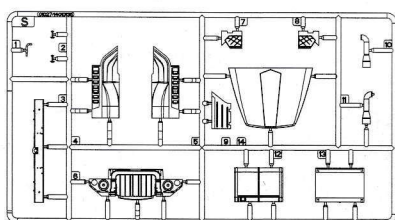
N



J



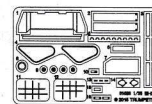
S



《轮胎》x7
Tyre



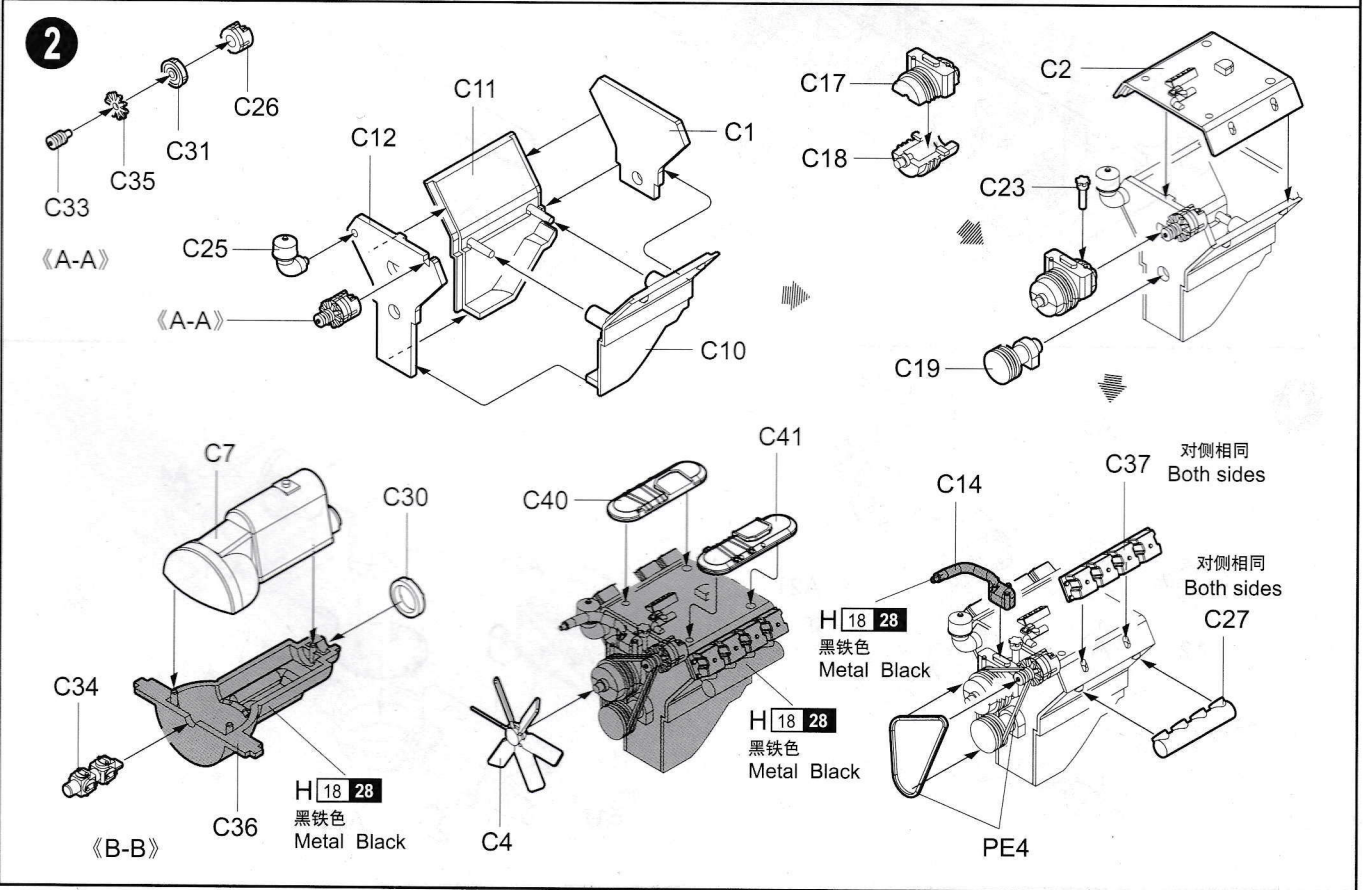
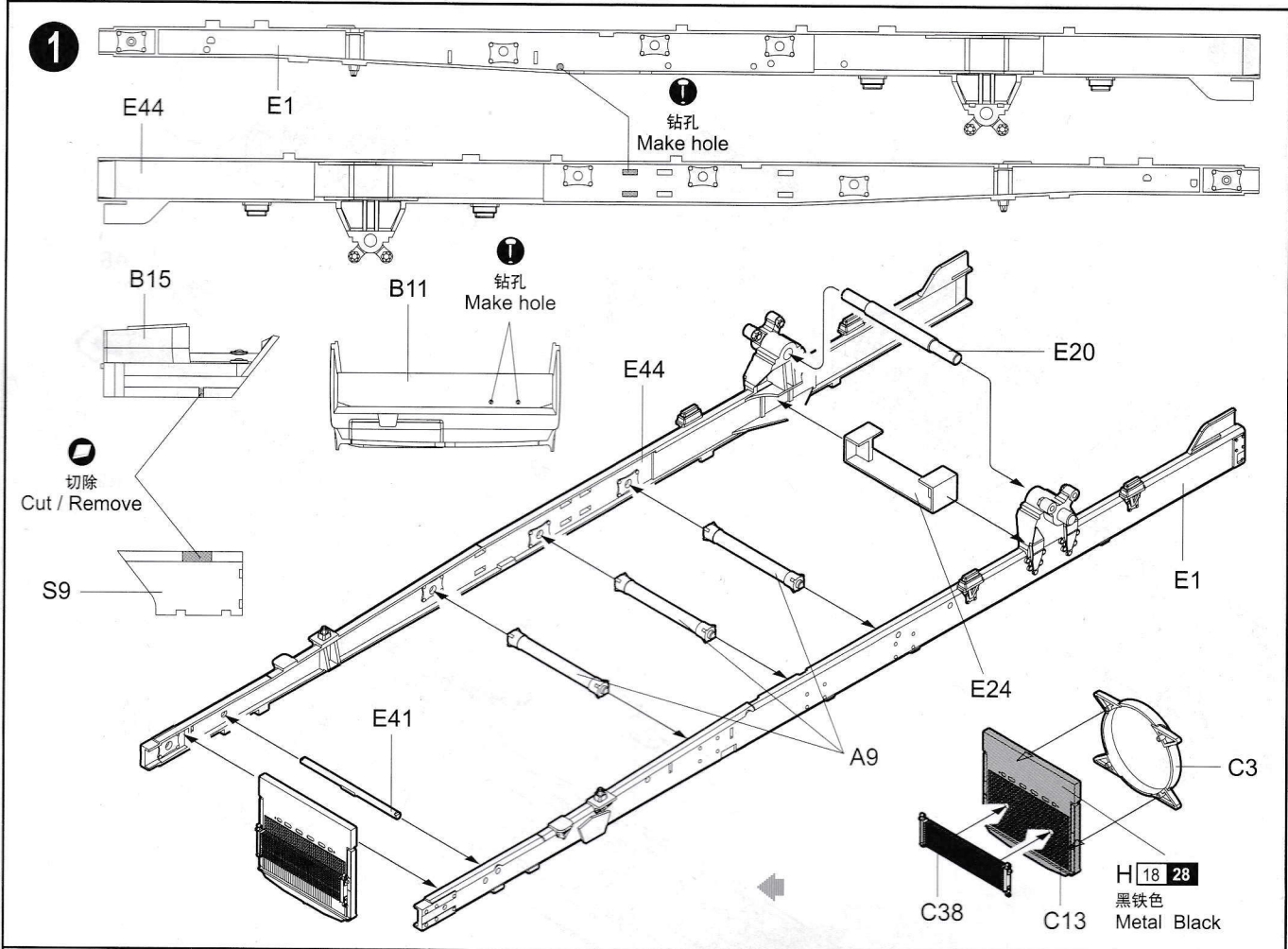
《蚀刻片》
PE



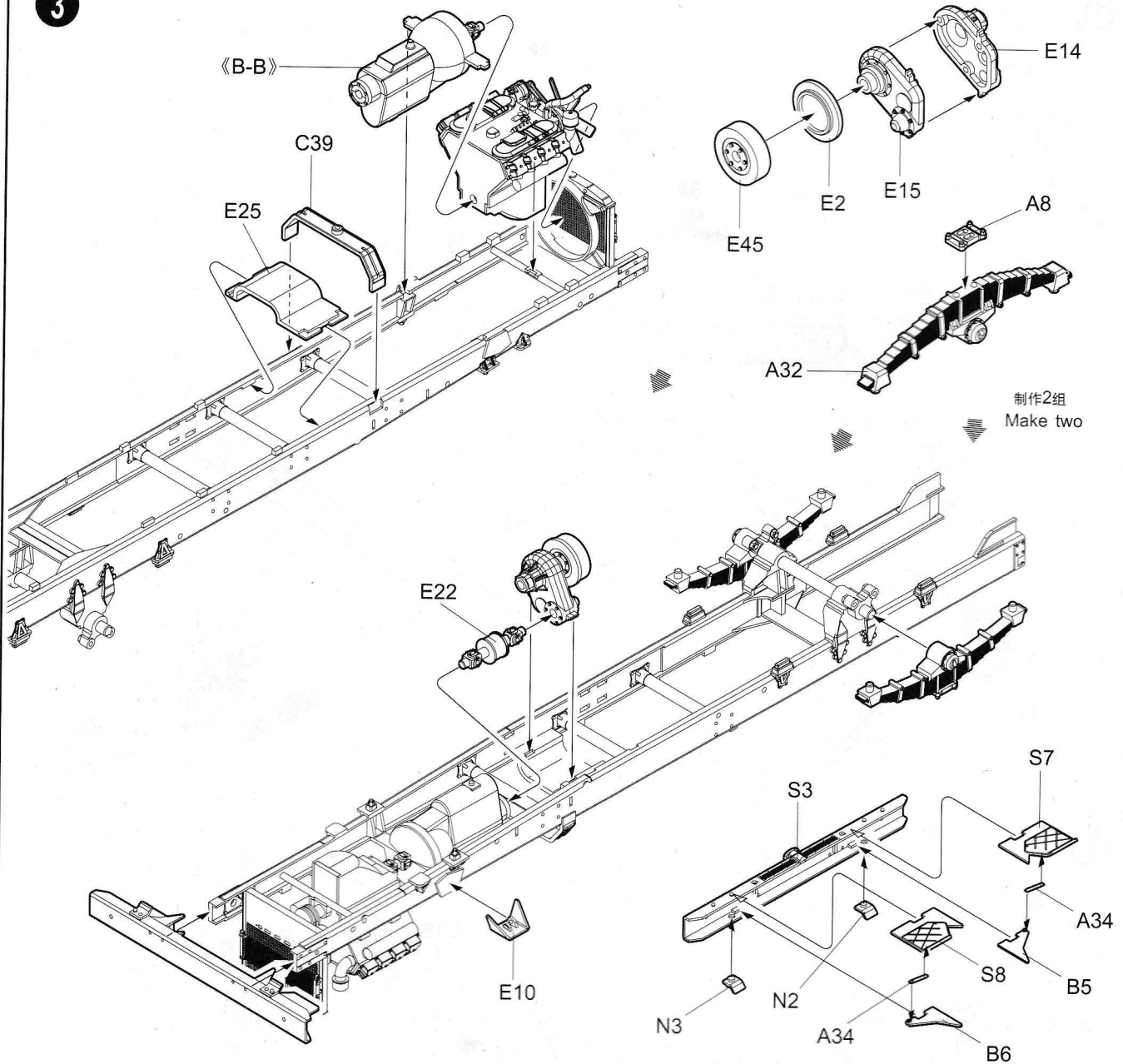
《水贴》
Decal



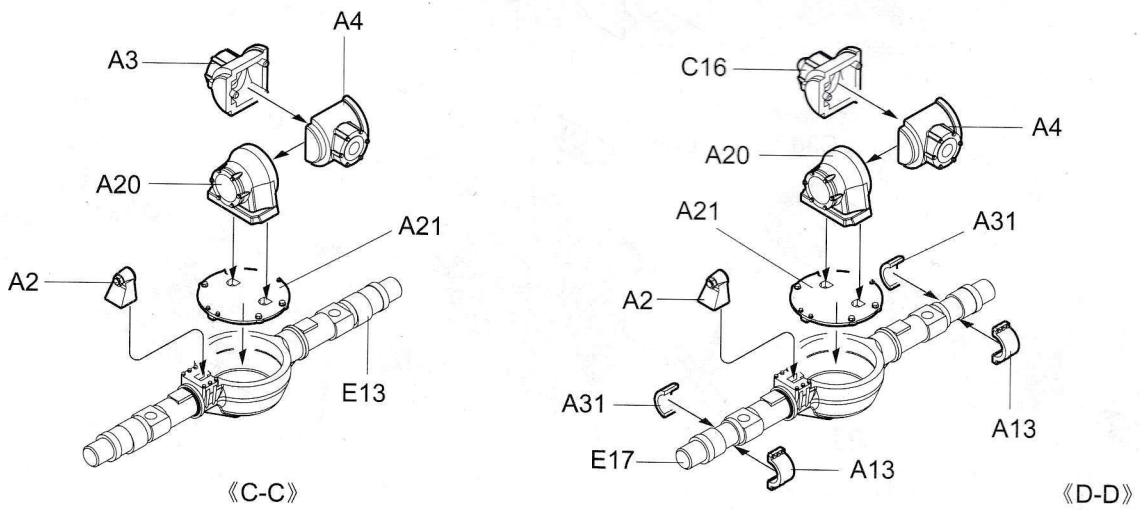
不用部件: A7、B2、B3、B7、B8、B9、B10、B13、B18、B19、B22、B23、B24、B25、
Unused parts D17、D18、E23、E30、E31、G4、G8、G10、G17、G31、G38、G42、G45

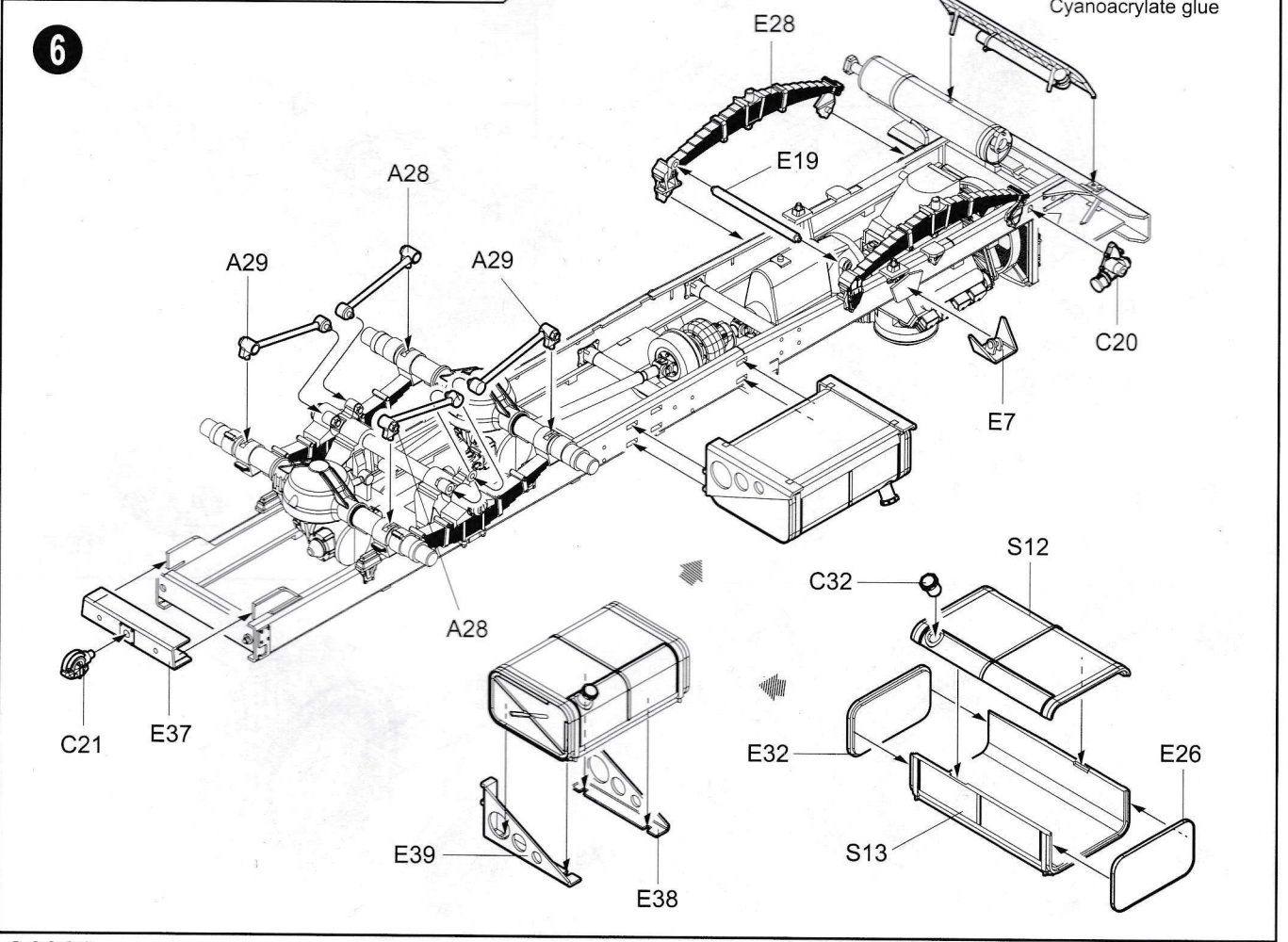
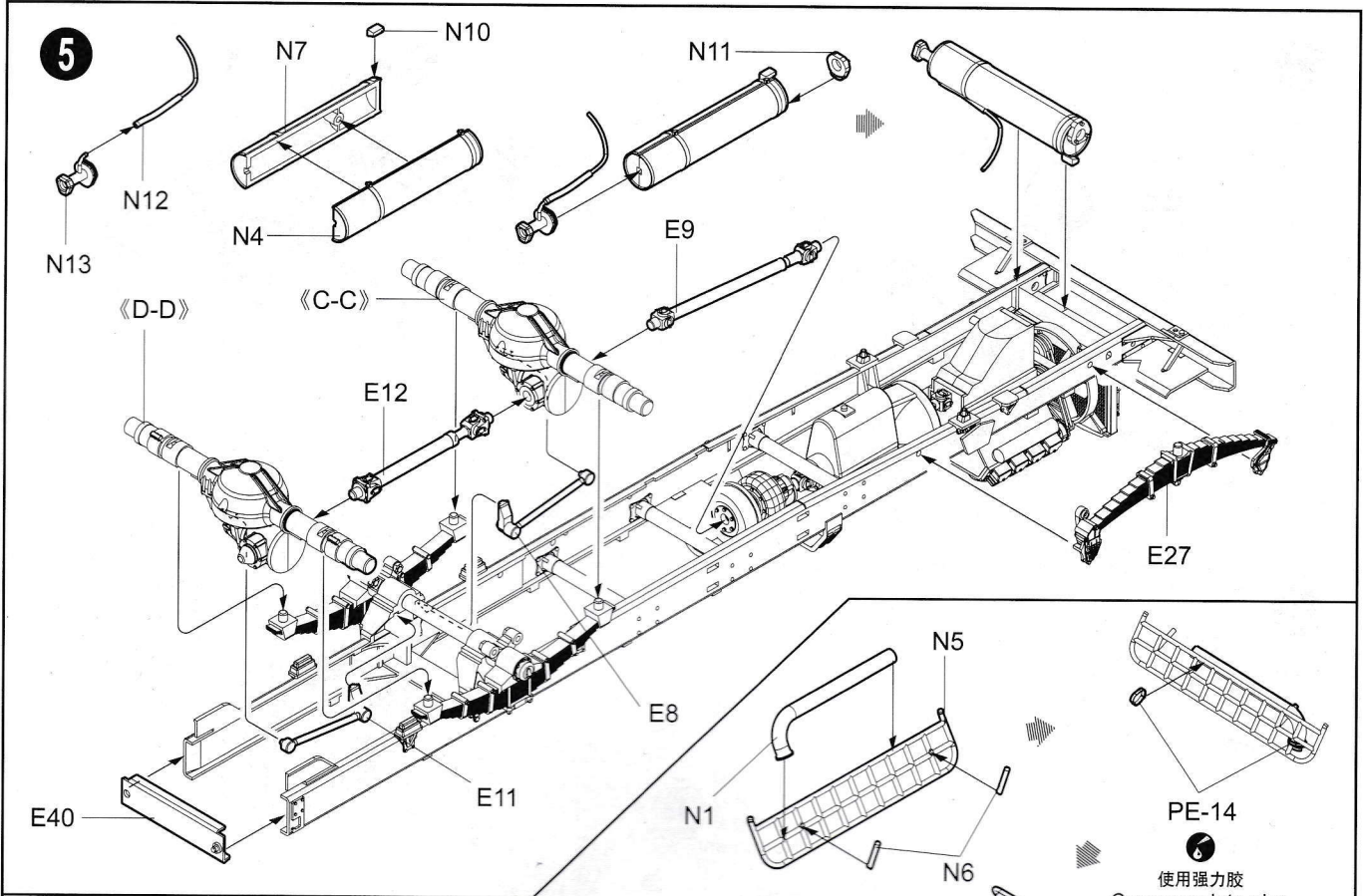


3

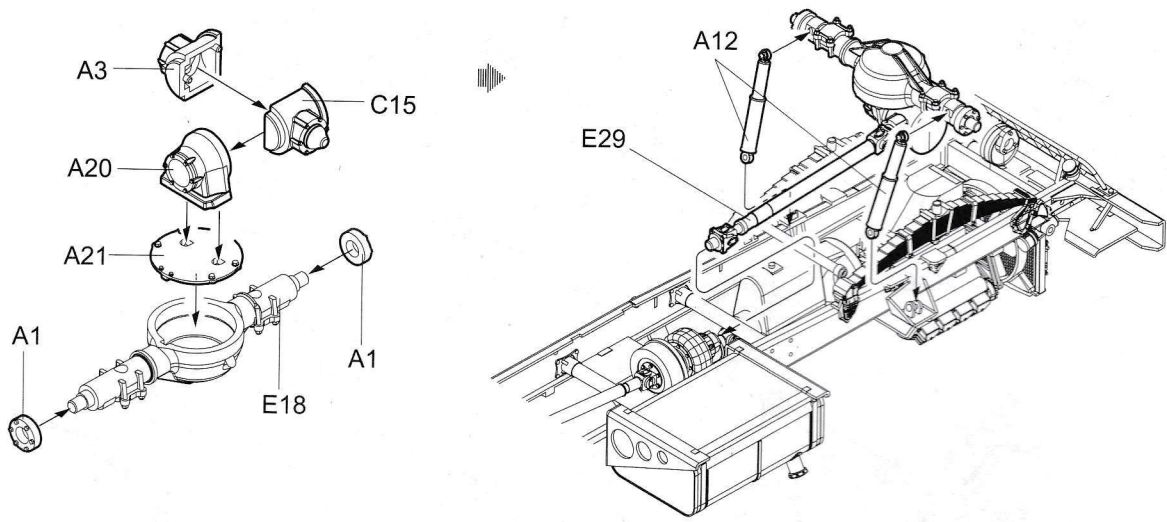


4

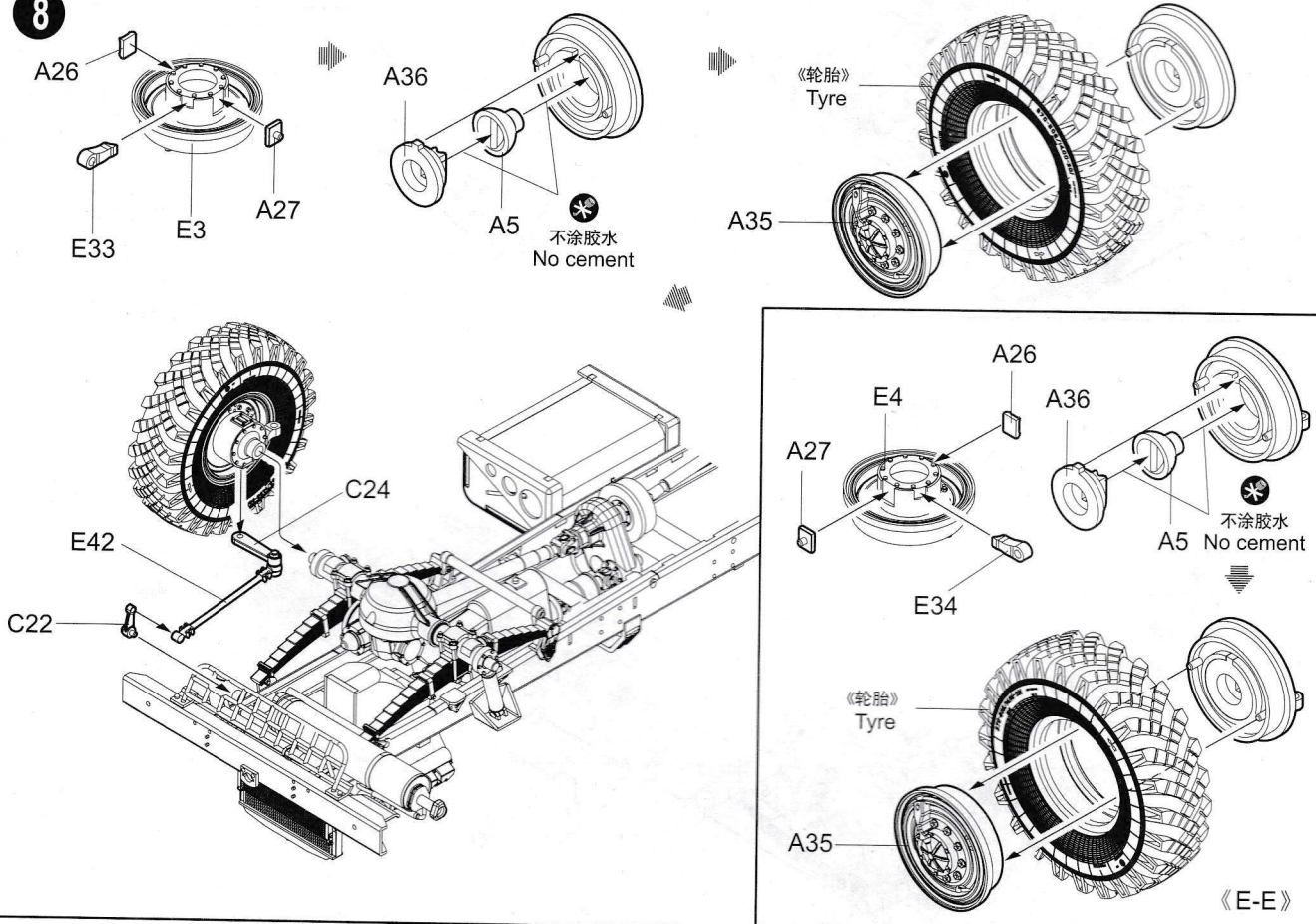




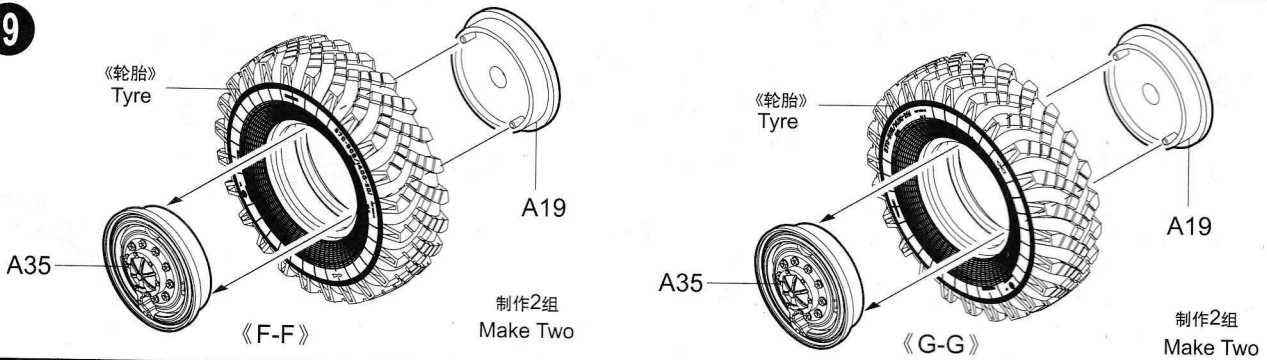
7



8

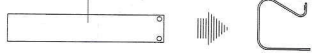


9



10

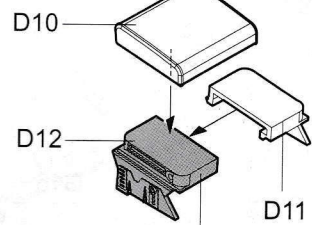
PE2
弯曲
Bend



制作2组
Make two

《E-E》

E43

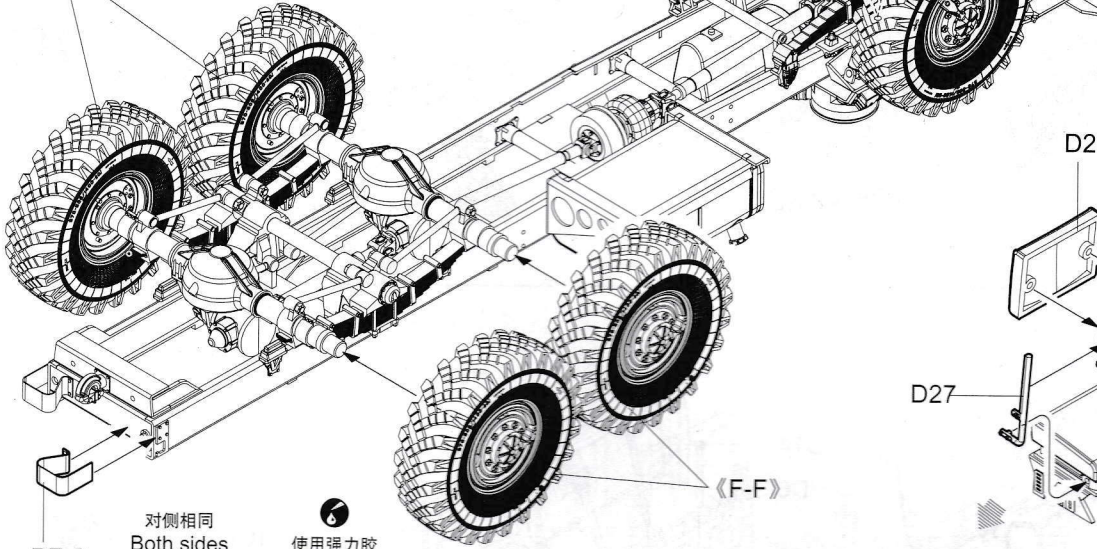


H 12 33
消光黑
Flat black

《G-G》

C5

E21



PE-2

对侧相同
Both sides

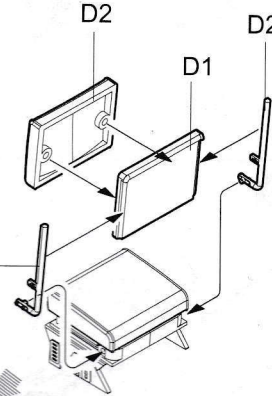
使用强力胶
Cyanoacrylate glue

D2

D28

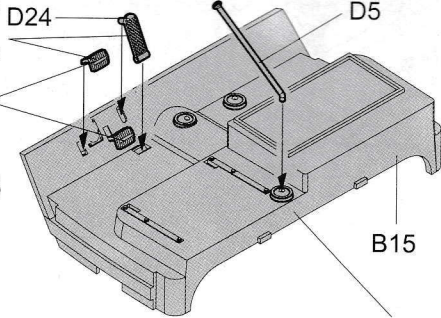
D1

D27



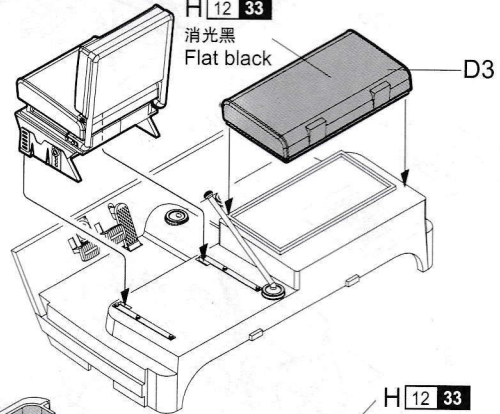
11

H 12 33
消光黑
Flat black

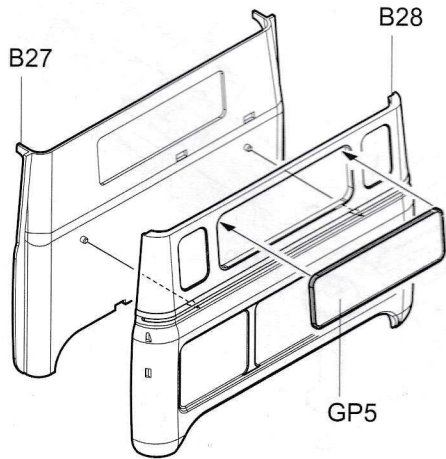


制作2组
Make two

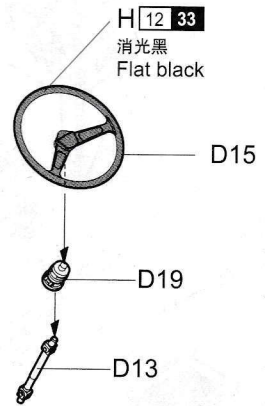
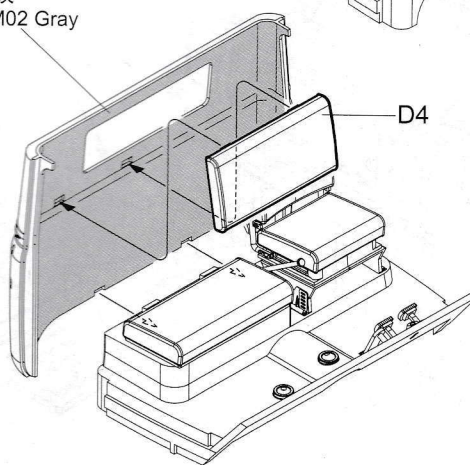
H 12 33
消光黑
Flat black



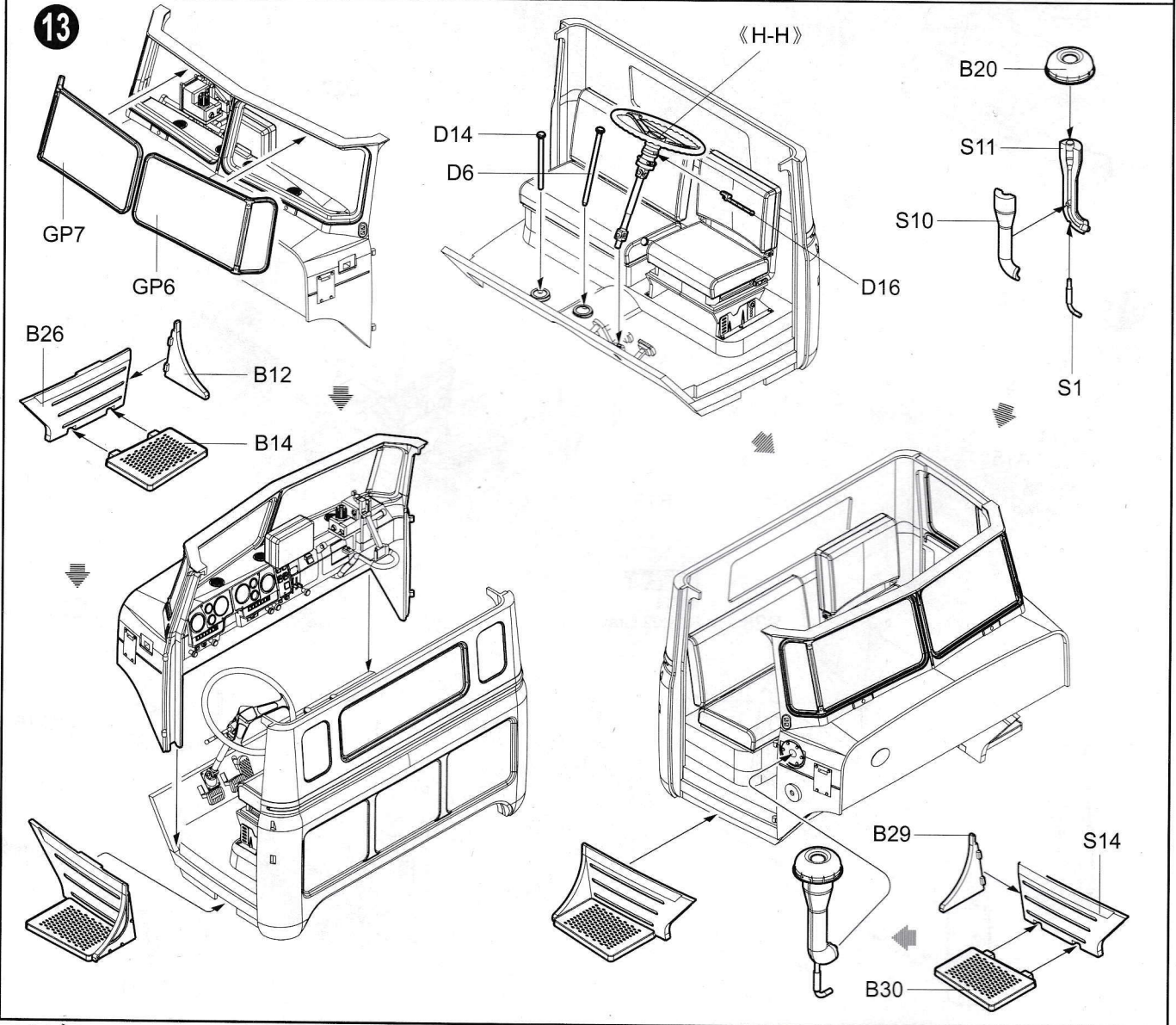
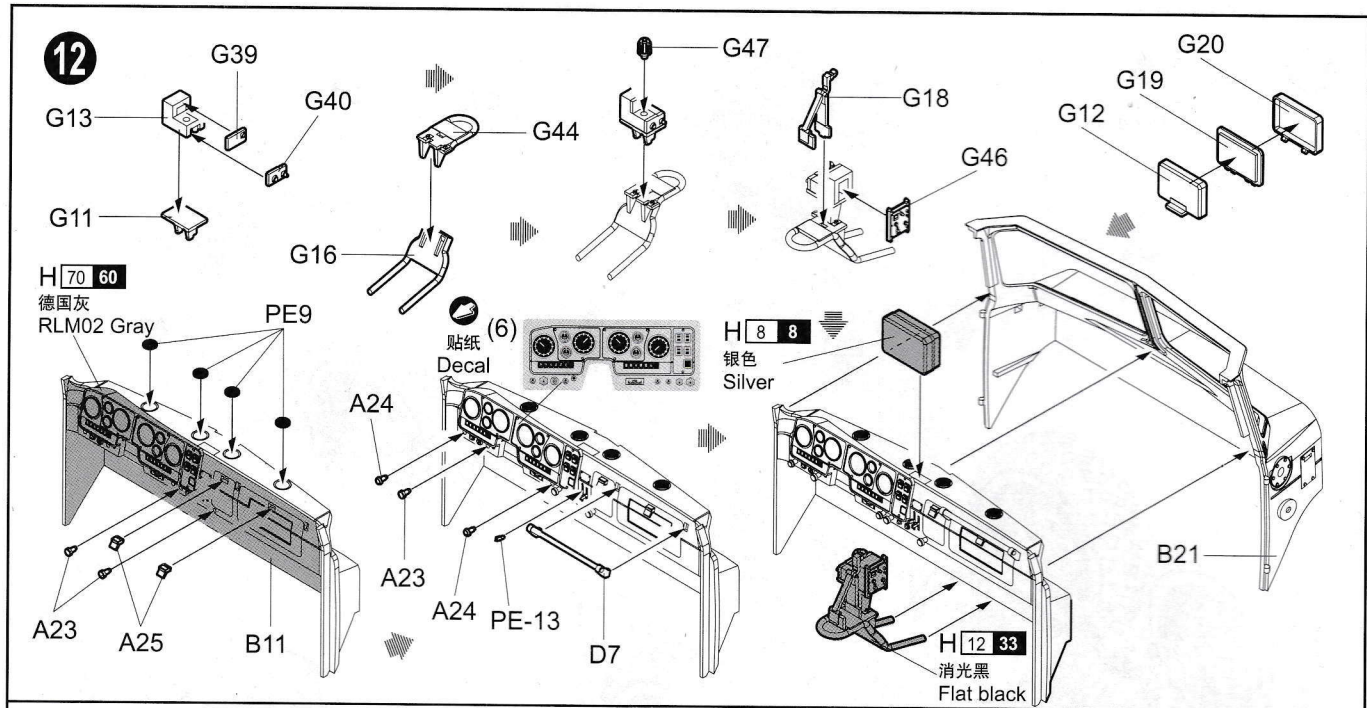
H 70 60
德国灰
RLM02 Gray



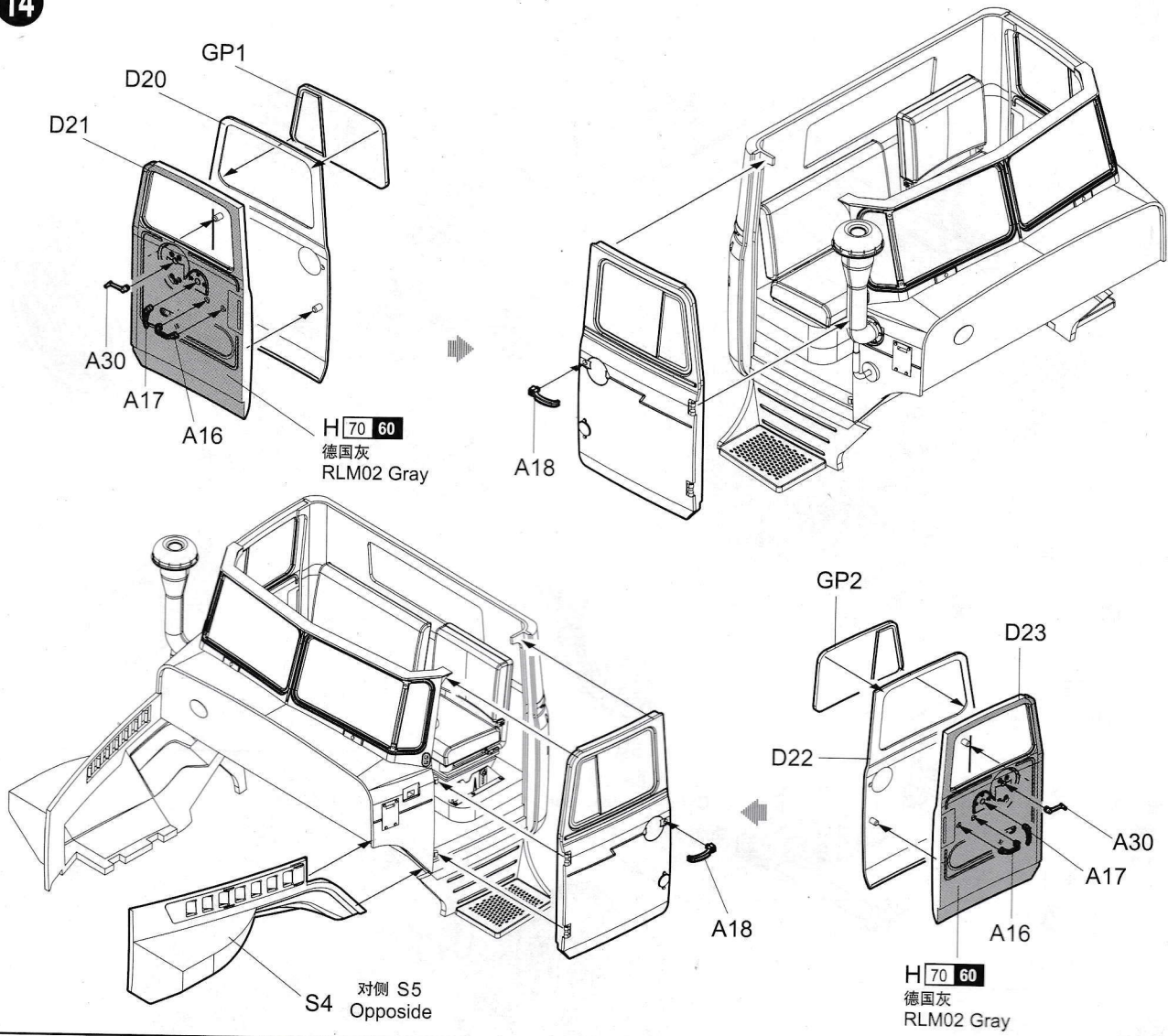
H 12 33
消光黑
Flat black



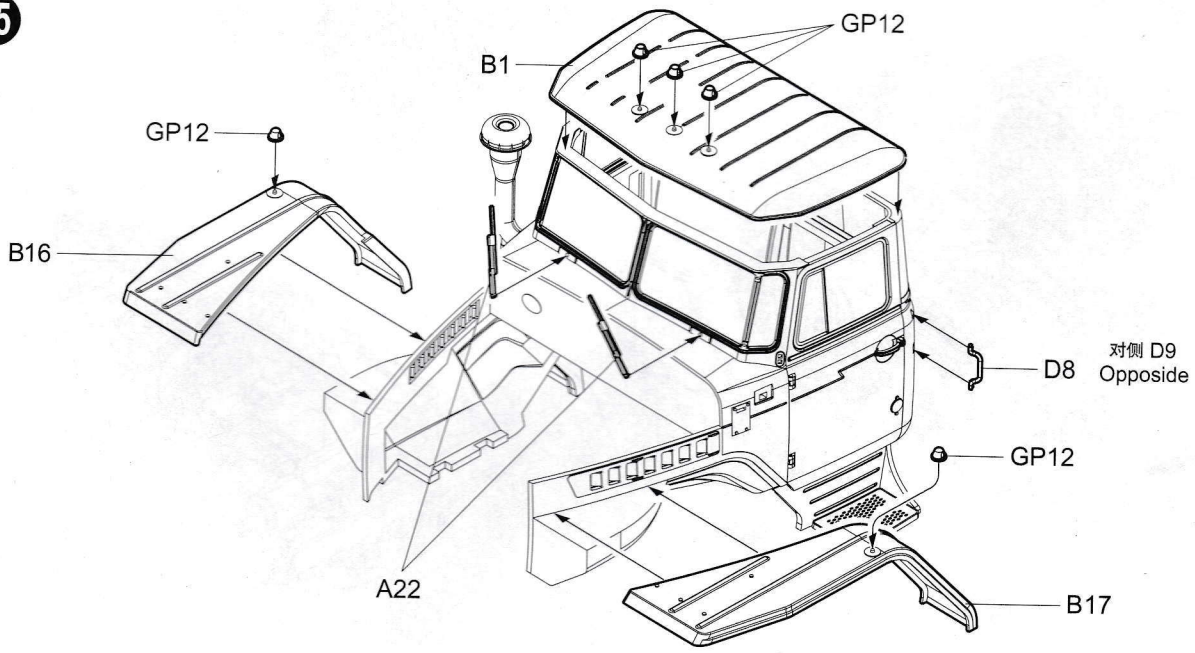
《H-H》



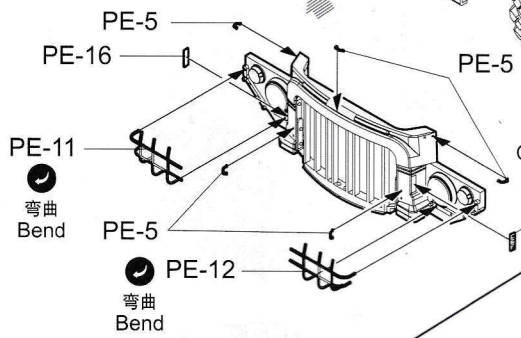
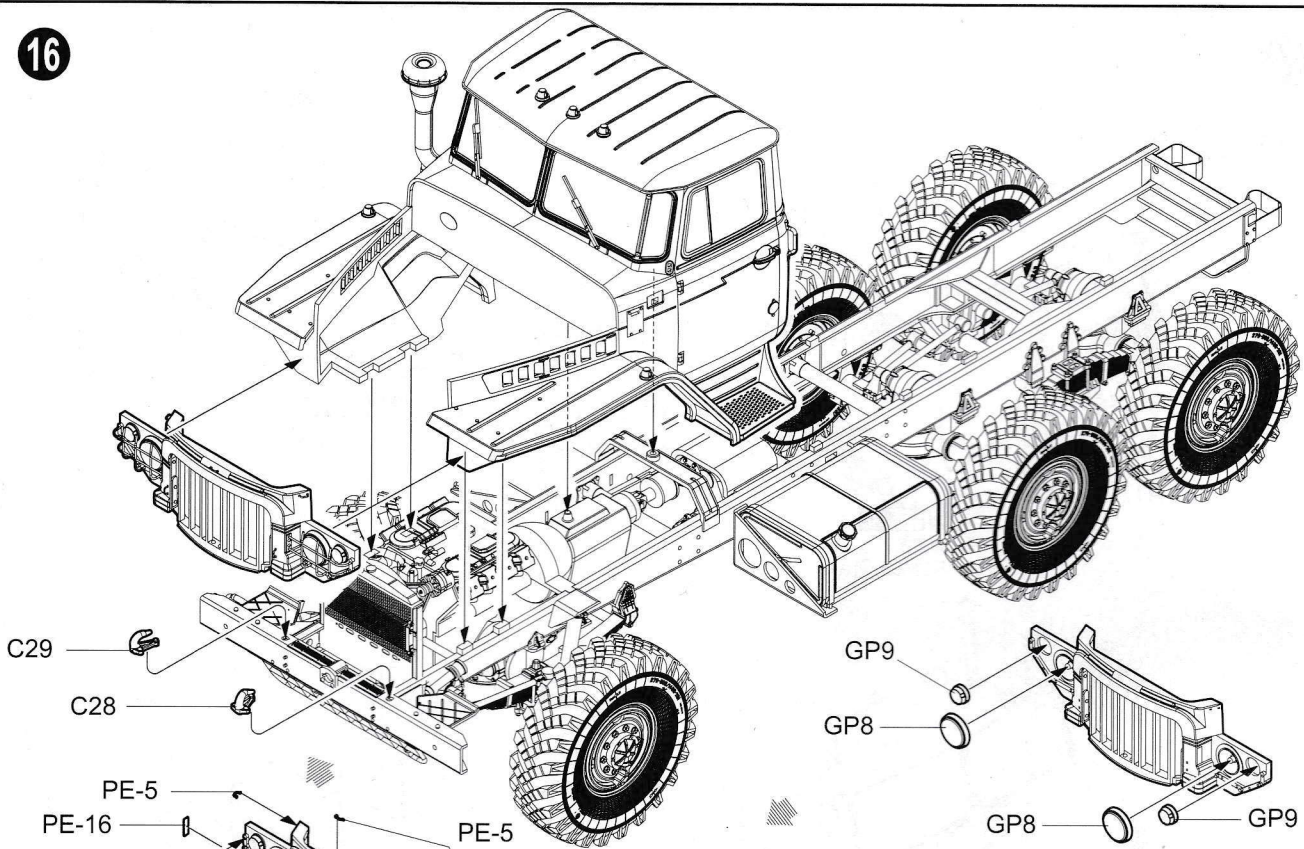
14



15

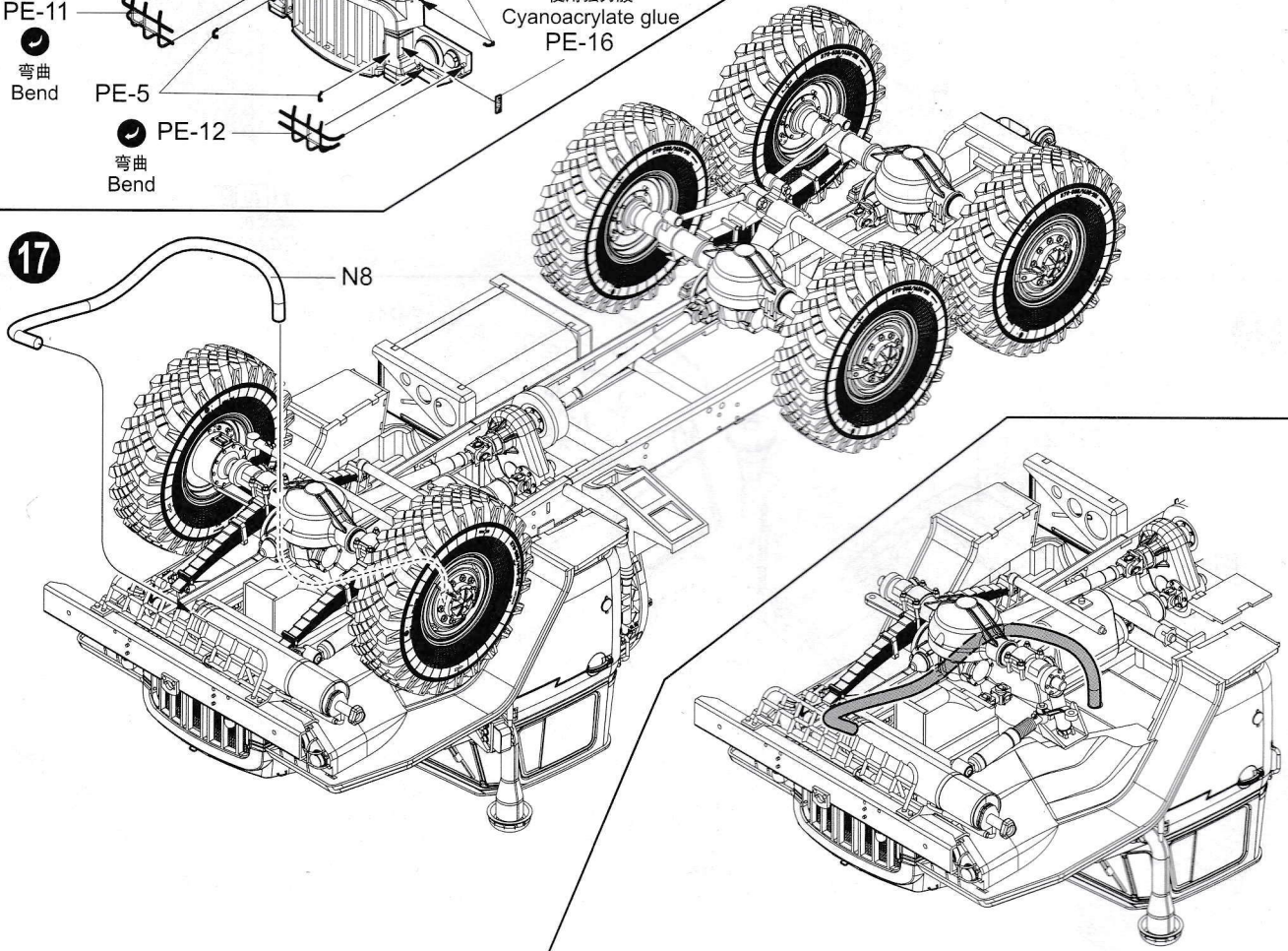


16

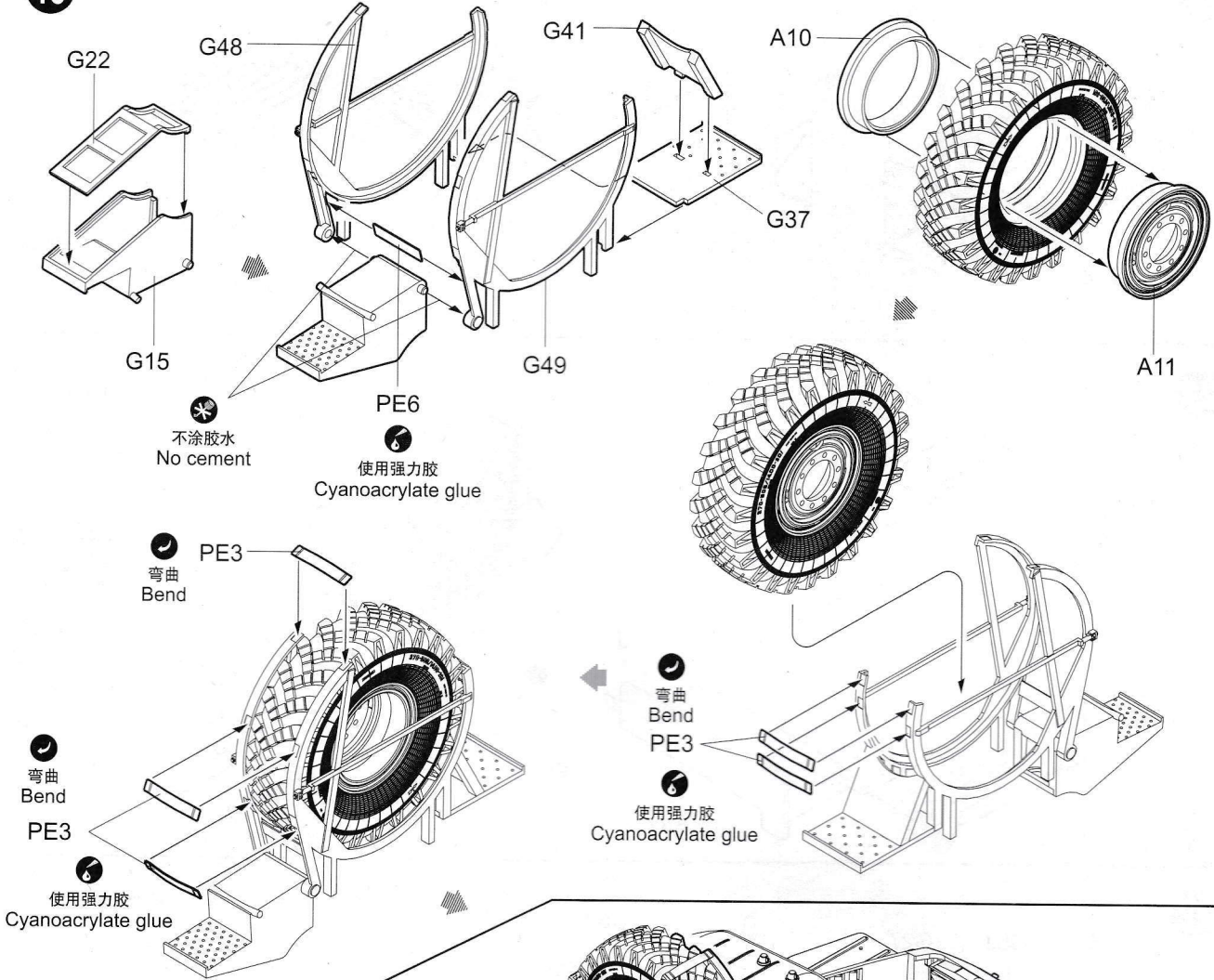


使用强力胶
Cyanoacrylate glue
PE-16

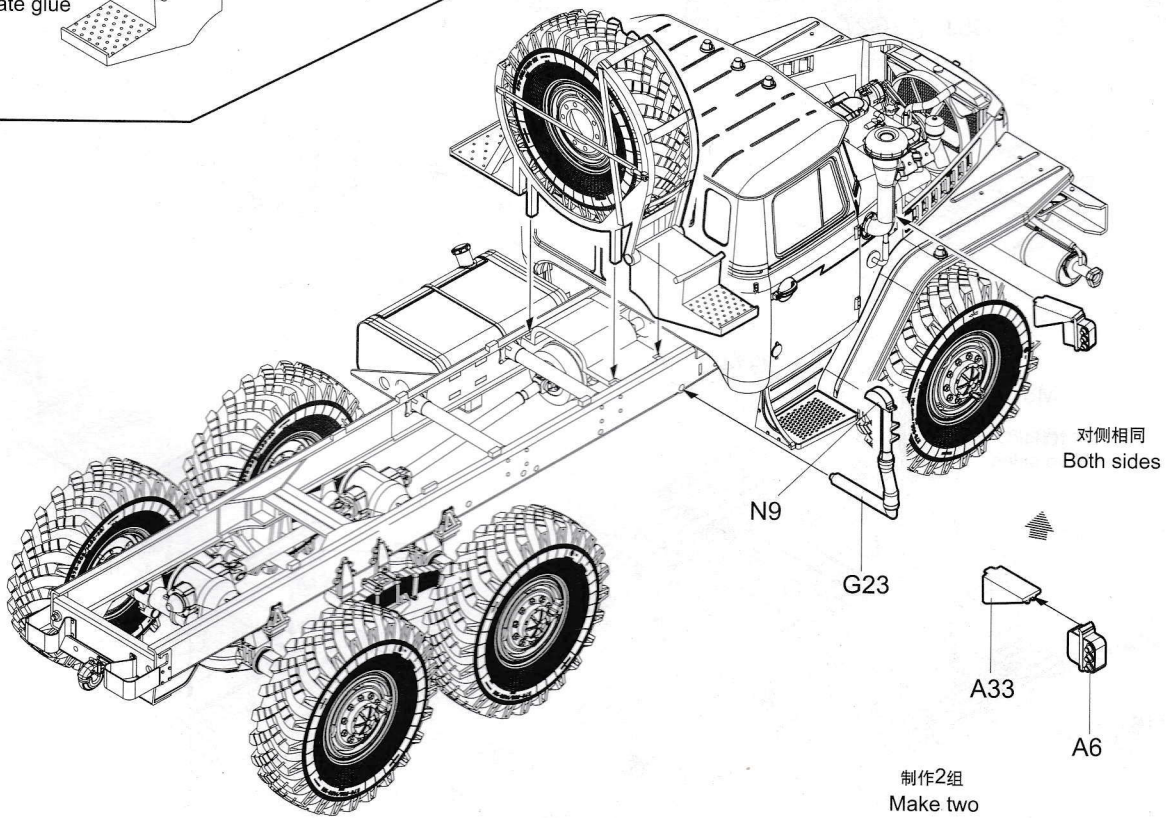
17



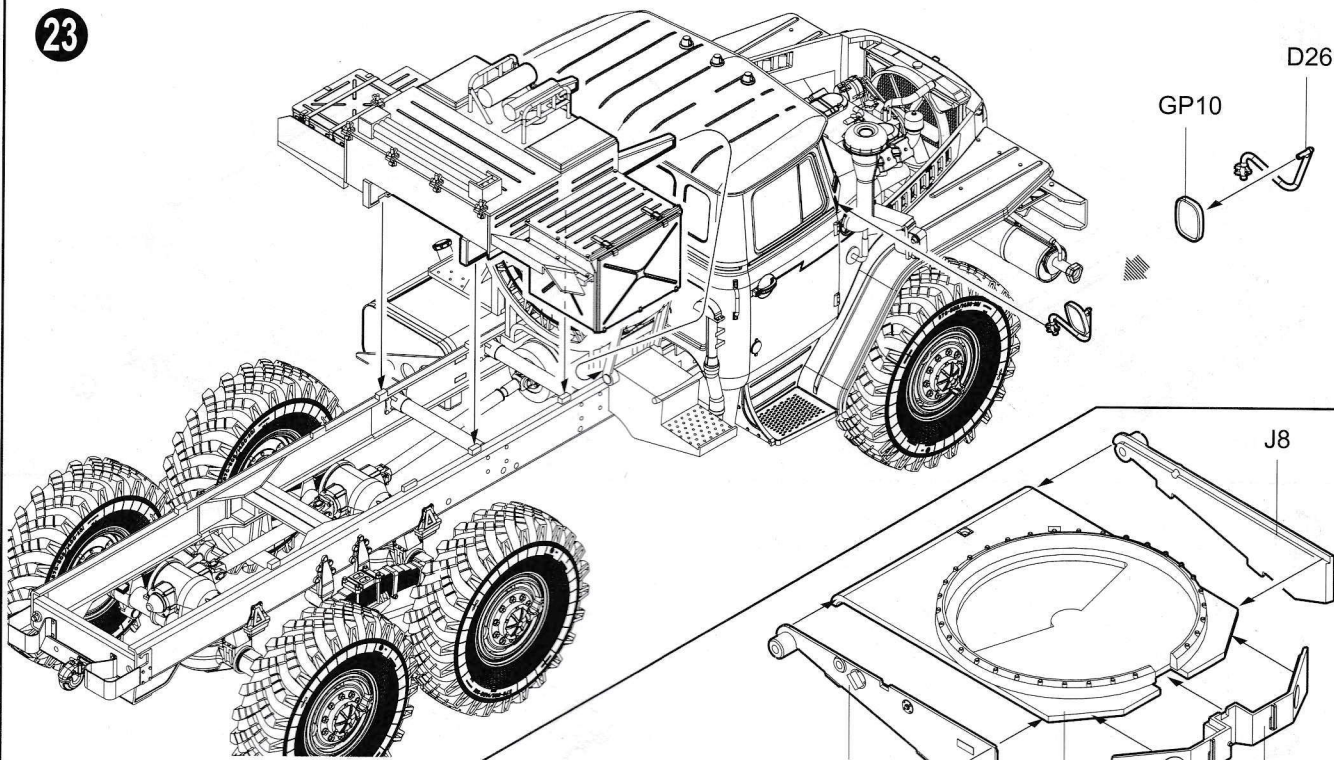
18



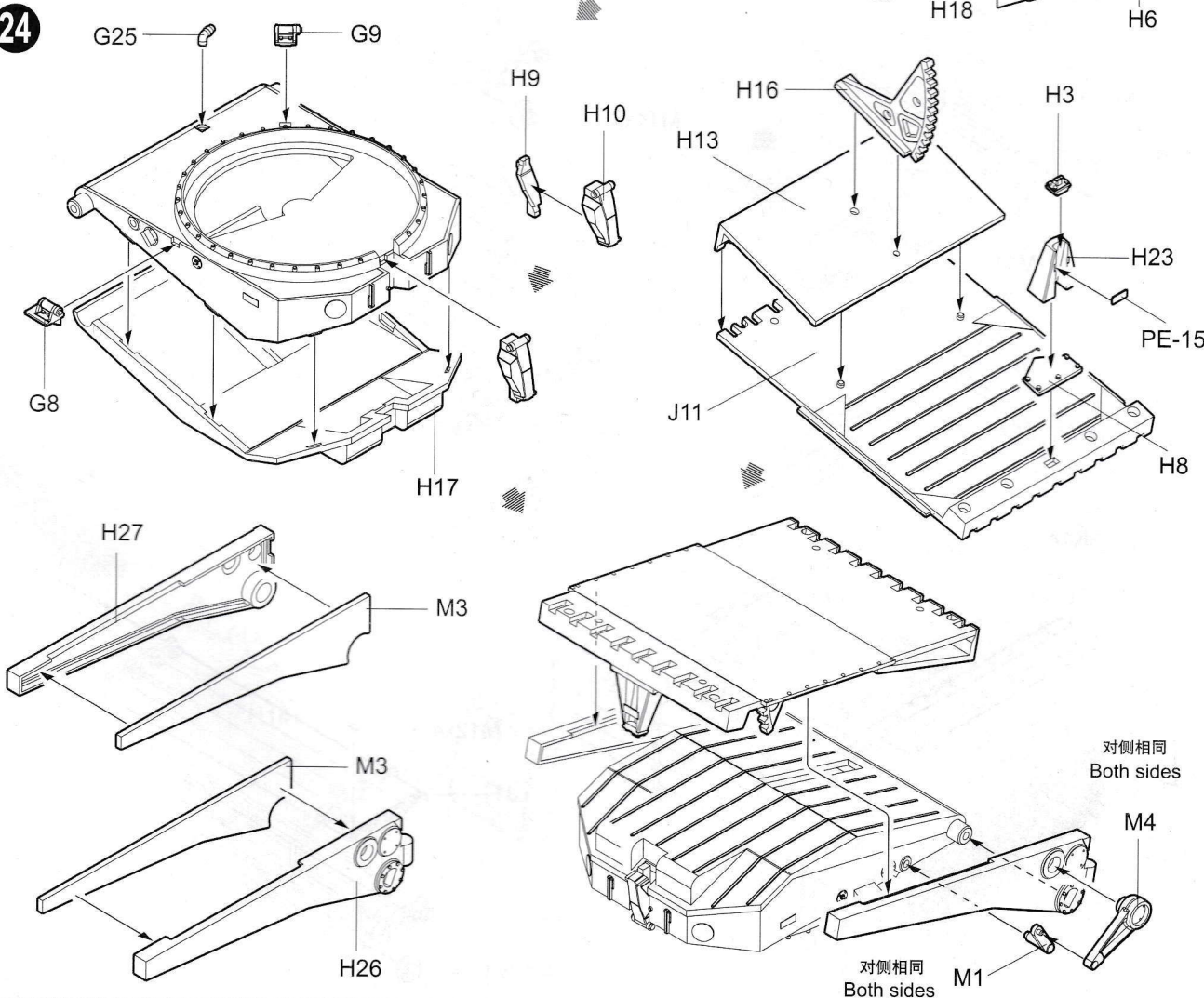
19



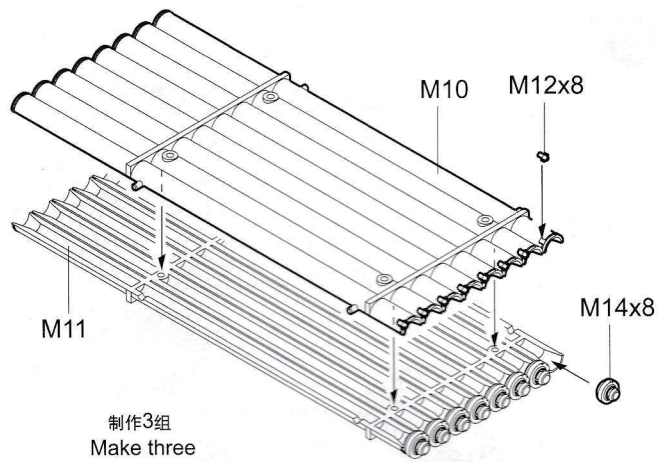
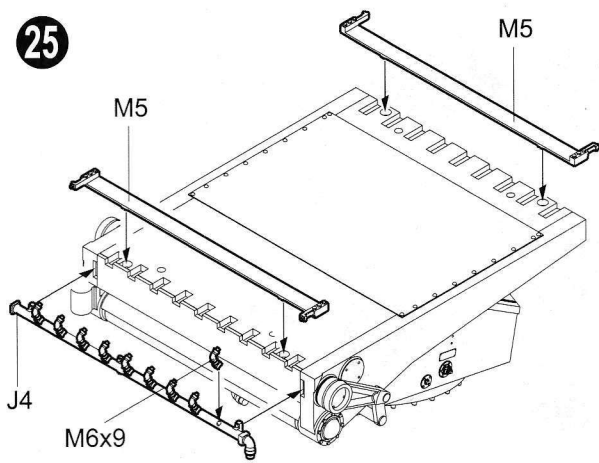
23



24

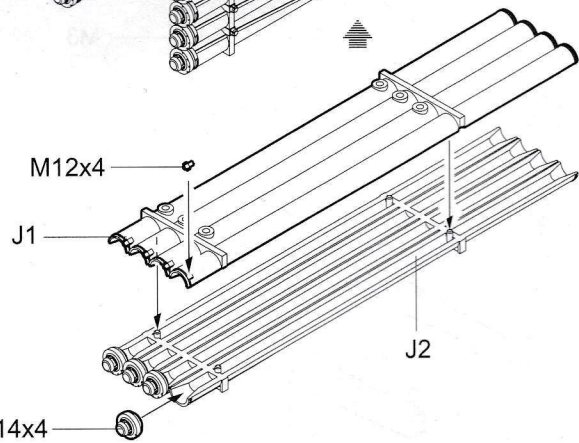
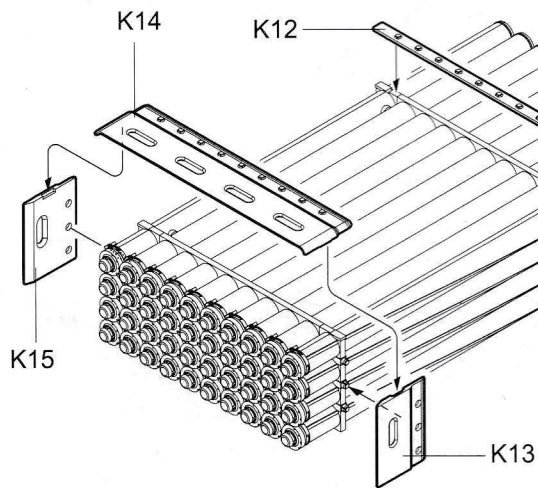
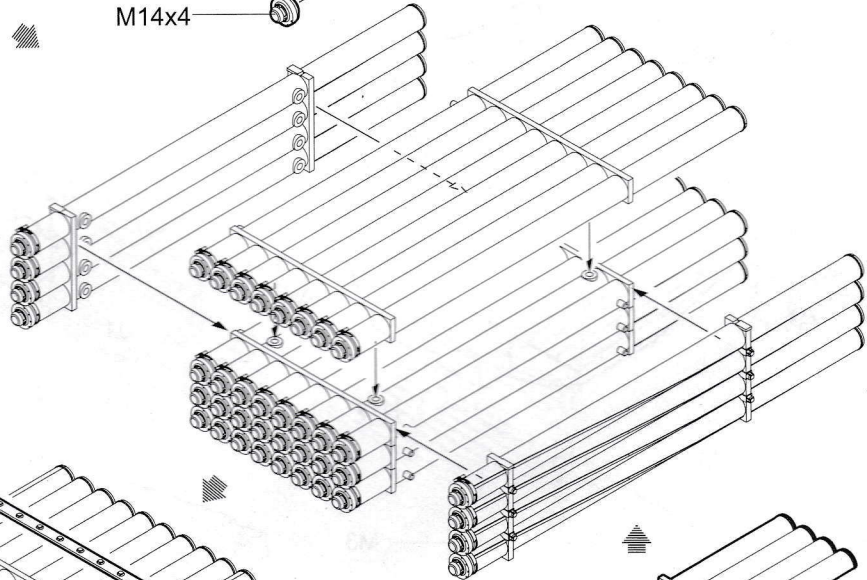
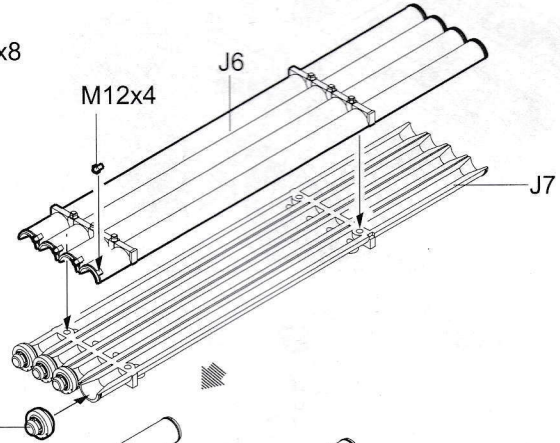
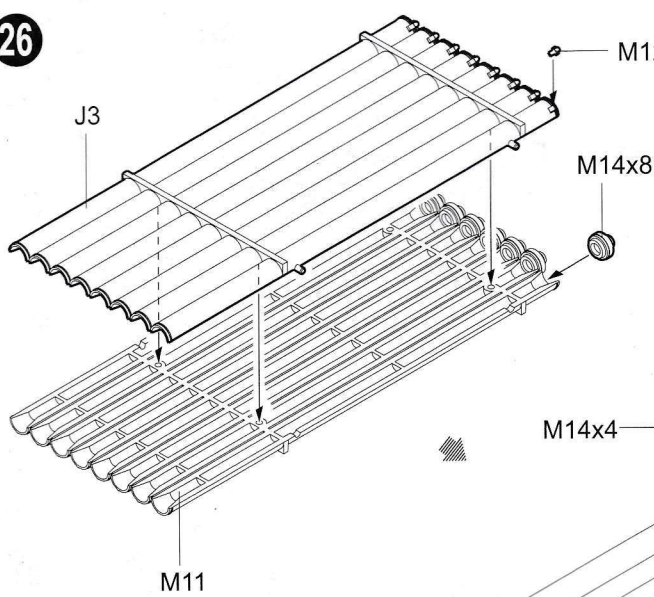


25

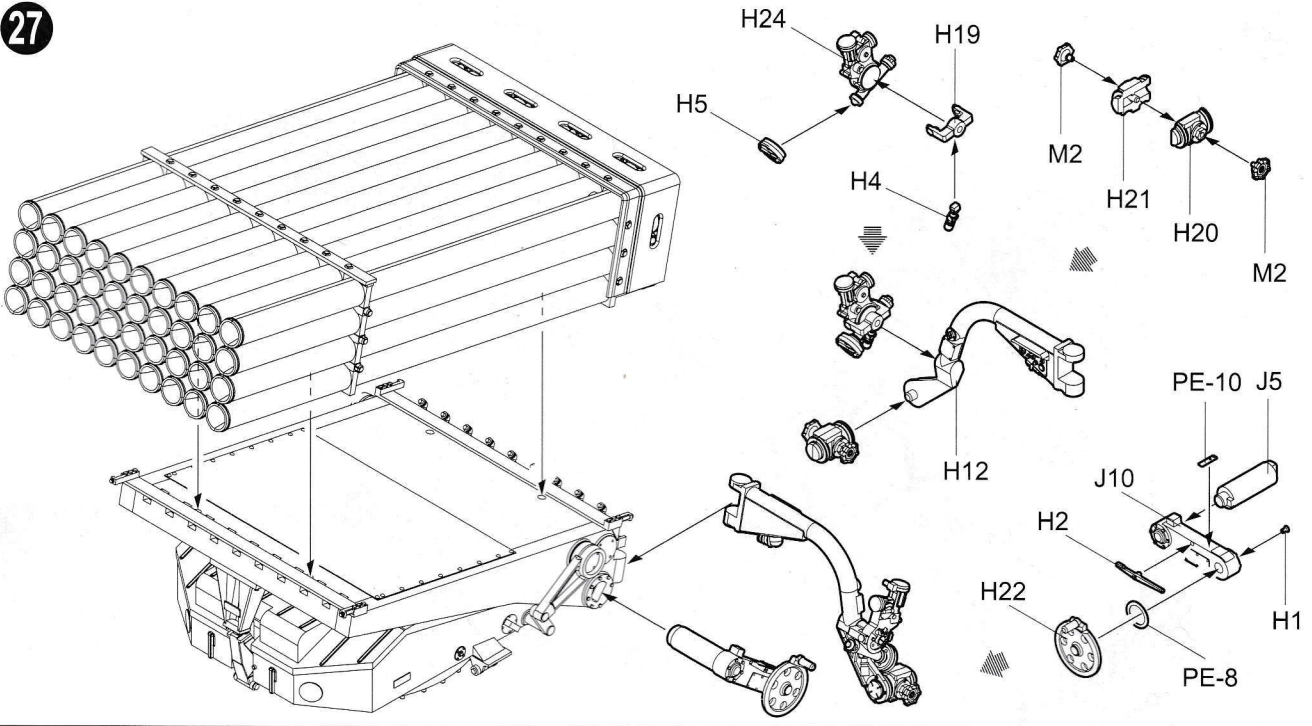


制作3组
Make three

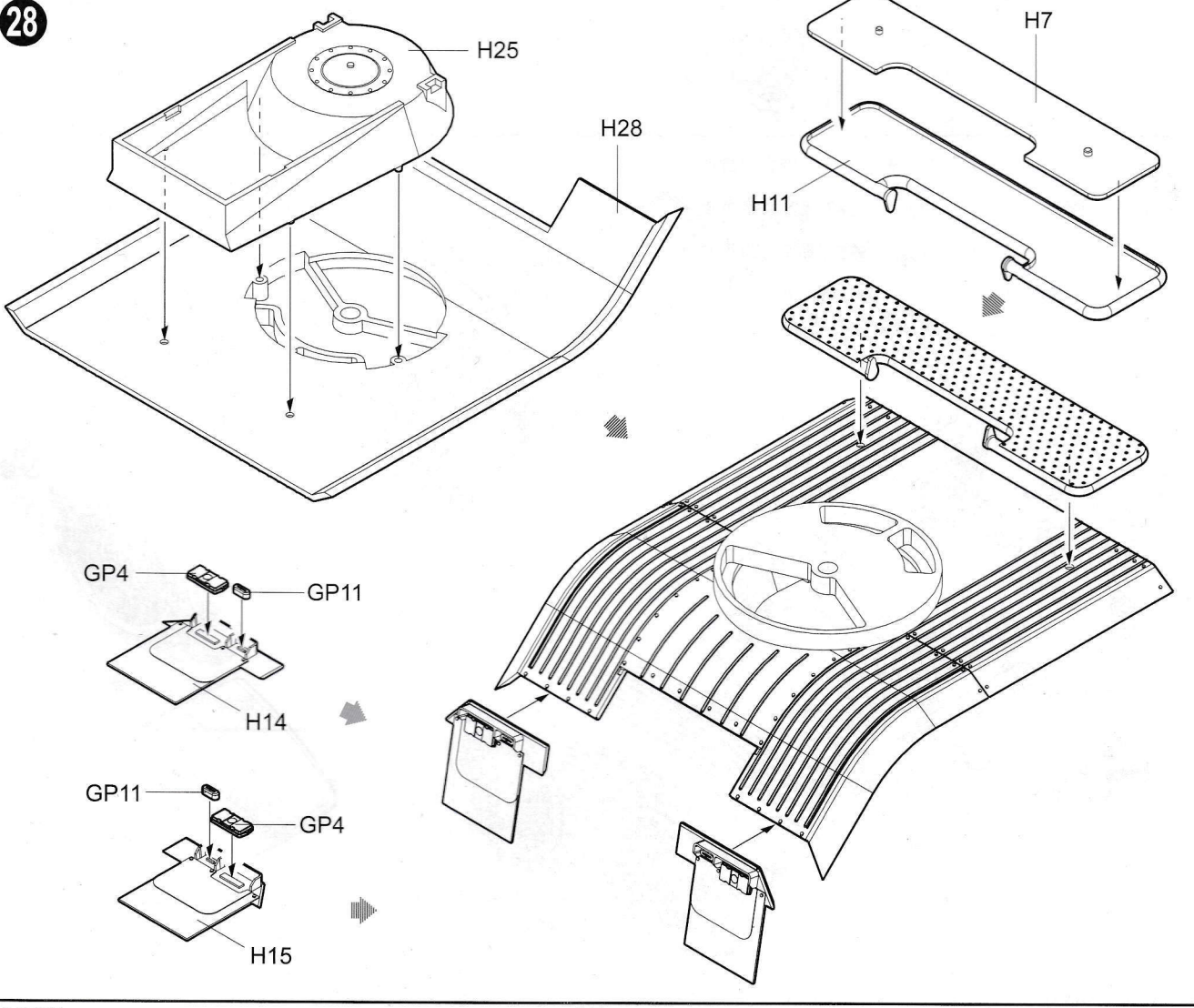
26



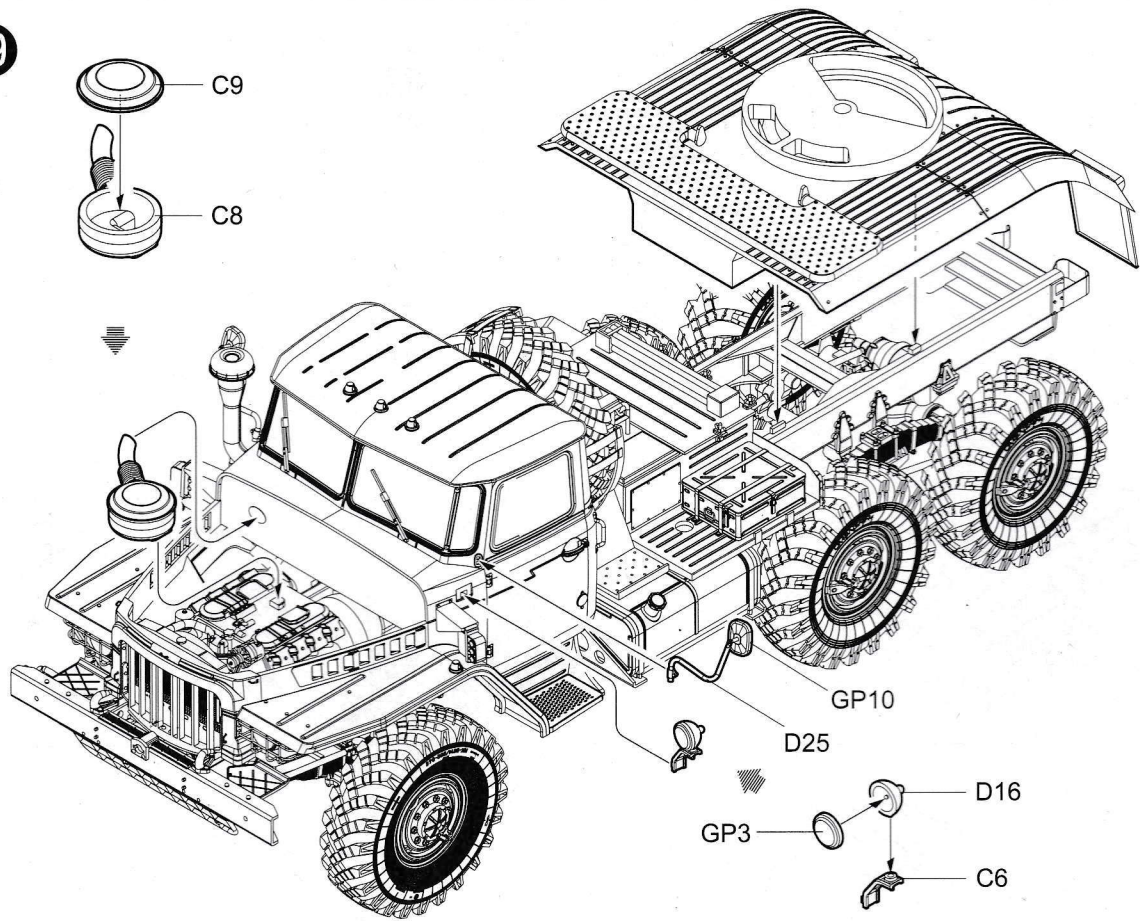
27



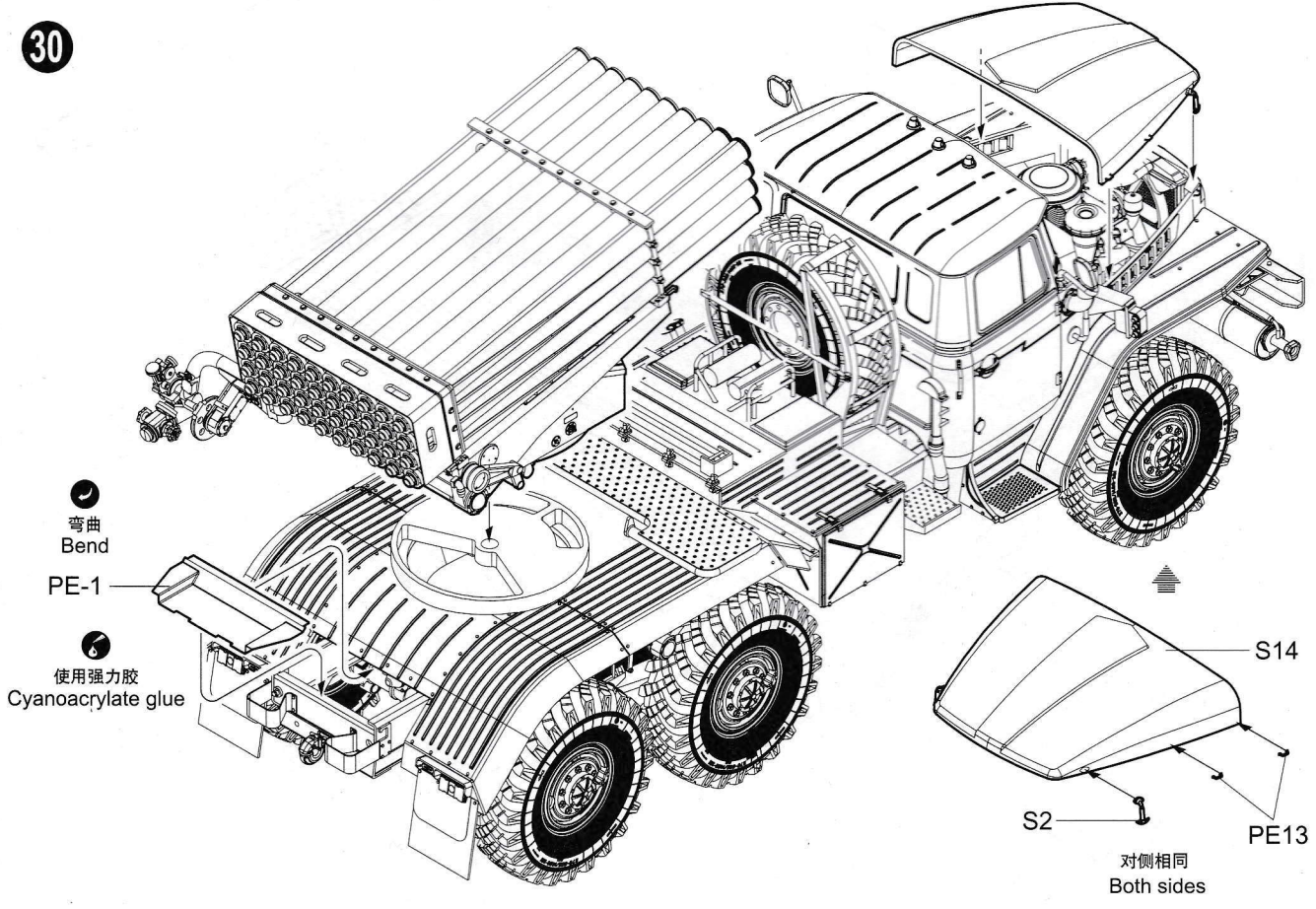
28



29



30



涂装同标贴指示 Painting & Marking guide

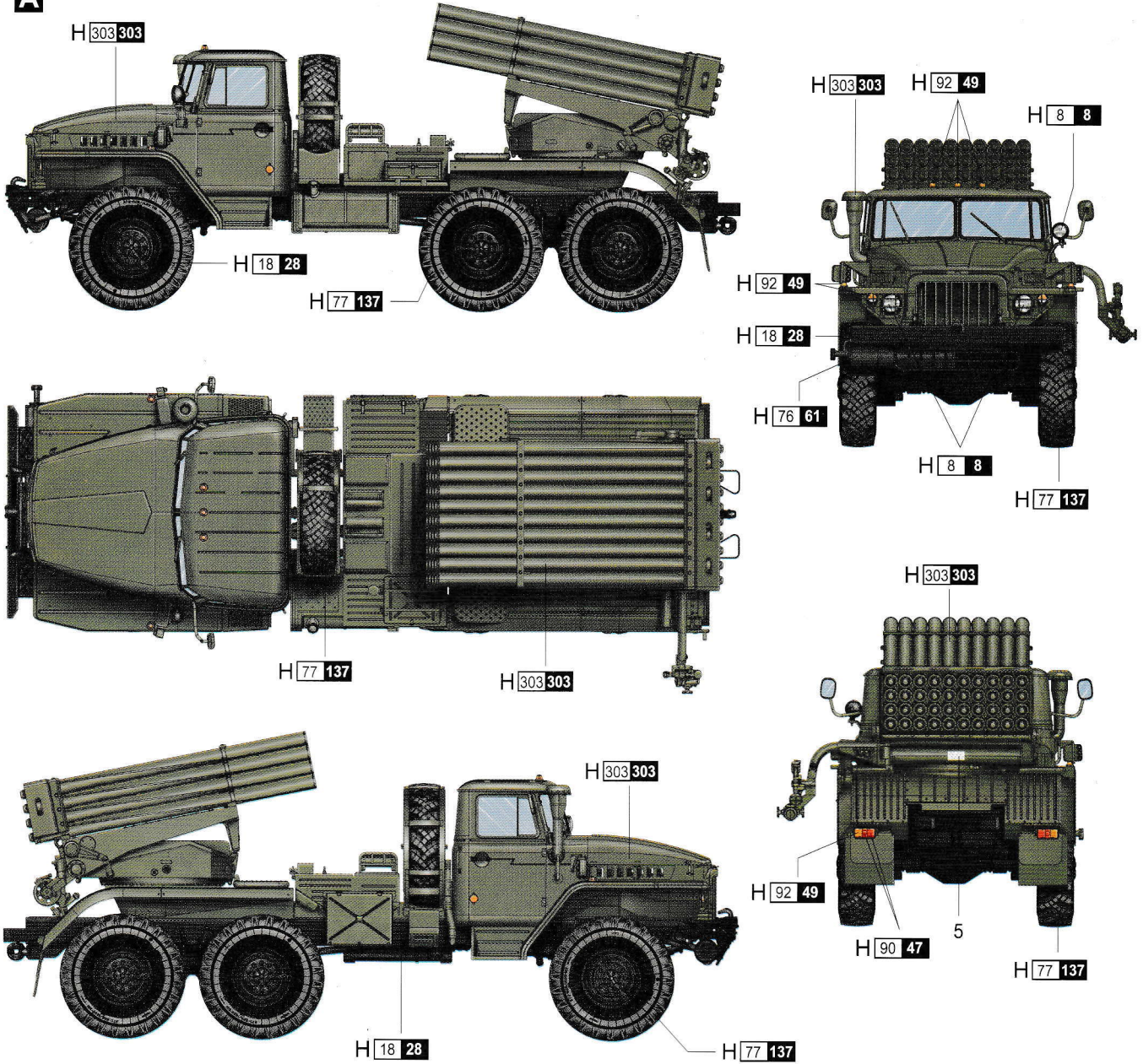
PAINT REFERENCE COLOUR

Color	Mr.Hobby	Vallejo	Model Master	Tamiya	Humbrol
Light Green 绿色	H 303 303	—	1713	XF20	117
Fine Black 细黑色	H 77 137	—	—	—	—
Metal Black 黑铁色	H 18 28	864	1402	—	—
White 白色	H 1 1	842	1745	X2	22

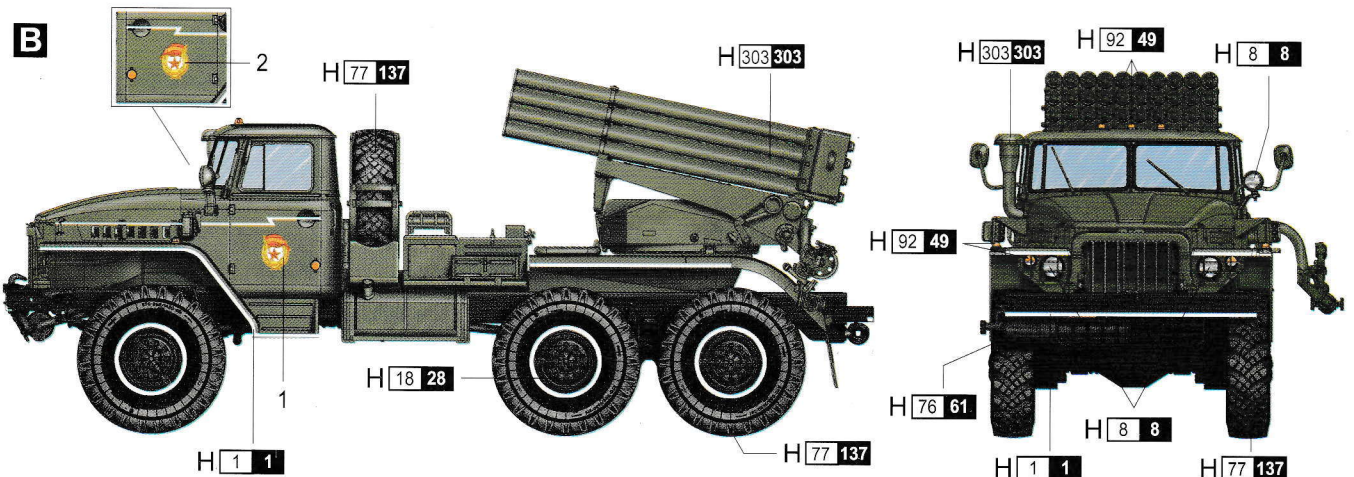
PAINT REFERENCE COLOUR

Color	Mr.Hobby	Vallejo	Model Master	Tamiya	Humbrol
Burnt Iron 铁锈色	H 76 61	863	1795	X10	53
Clear Orange 透明橙	H 92 49	935	—	X26	—
Clear Red 透明红	H 90 47	934	—	X27	—
Silver 银色	H 8 8	997	1546	X11	11

A



B



H AQUEOUS HOBBY COLOR ■ Mr. COLOR

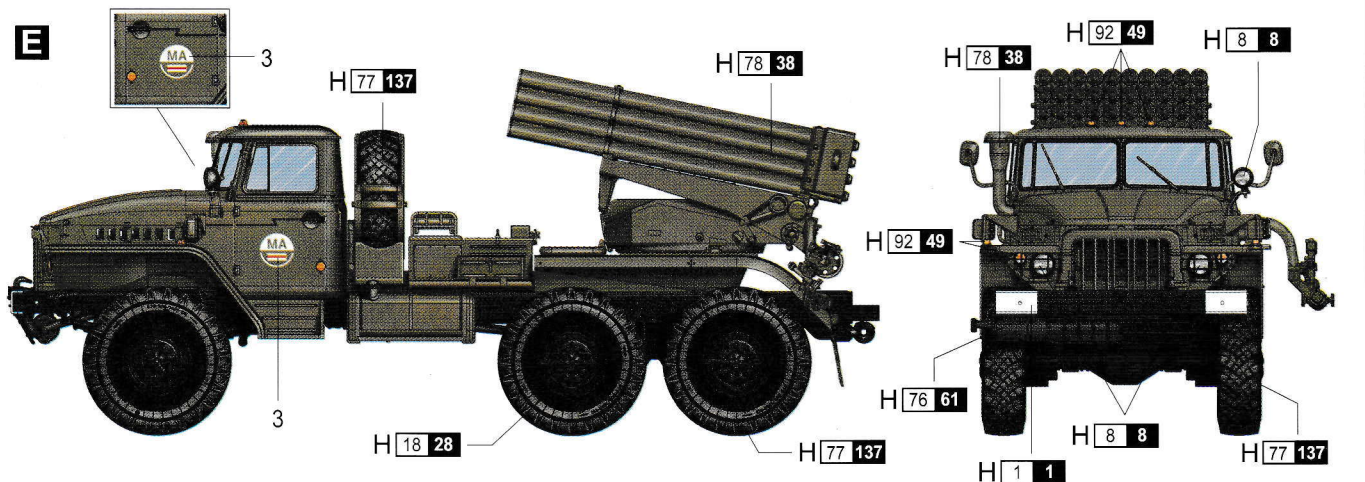
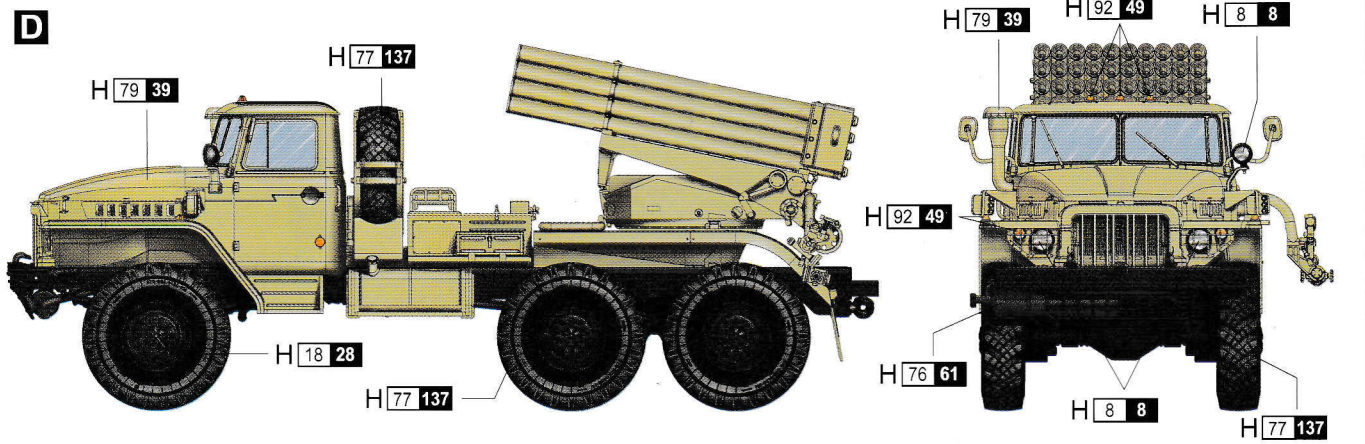
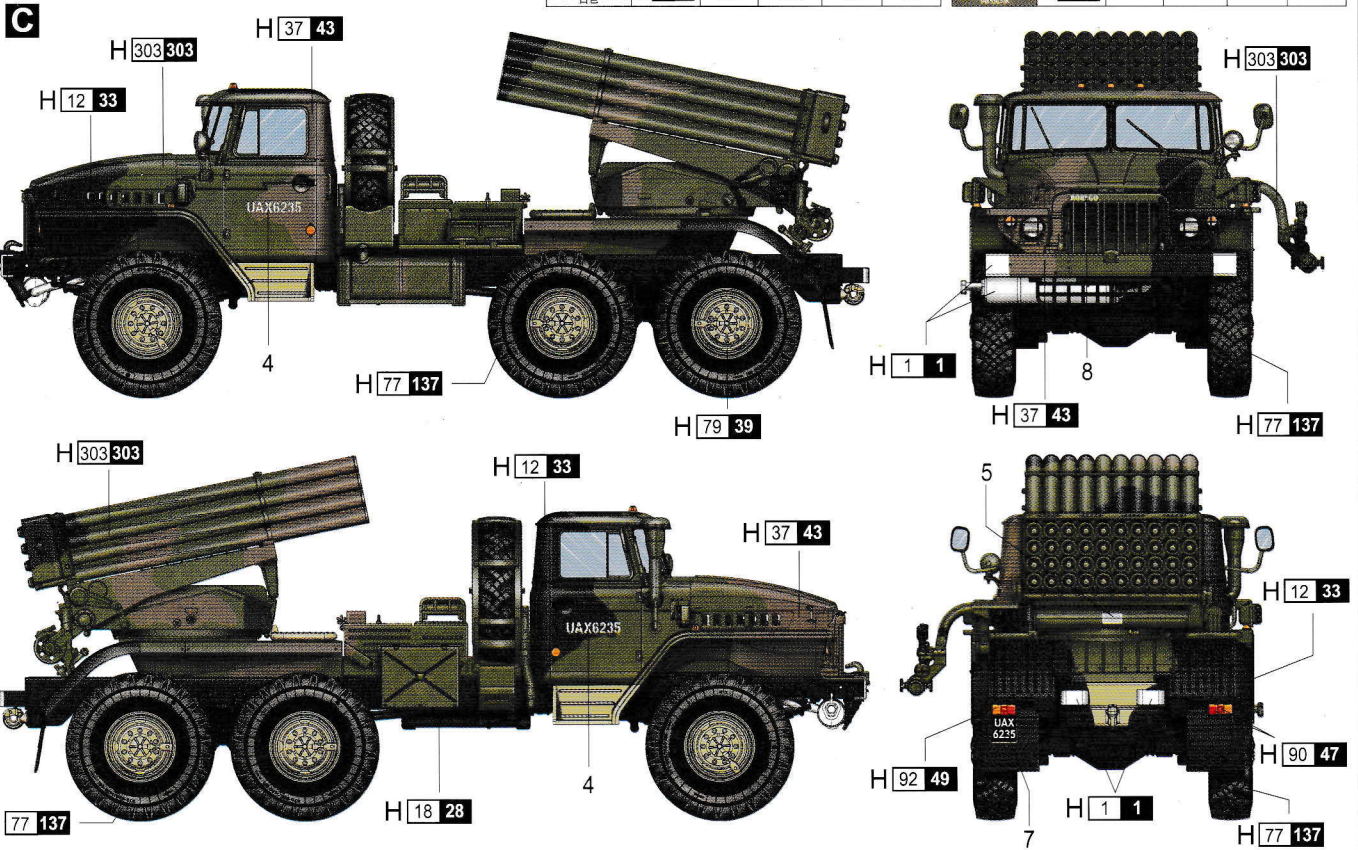
涂装同标贴指示 Painting & Marking guide

PAINT REFERENCE COLOUR

Color	Mr.Hobby	Vallejo	Model Master	Tamiya	Humbrol
Light Green 草绿	H 303 303	-	1713	XF20	117
Tire Black 胎黑色	H 77 137	-	-	-	-
Metal Black 银铁色	H 18 28	864	1402	-	-
White 白色	H 1 1	842	1745	X2	22

PAINT REFERENCE COLOUR

Color	Mr.Hobby	Vallejo	Model Master	Tamiya	Humbrol
Flat Black 哑光黑	H 12 33	950	1749	XF1	33
Wood Brown 木棕色	H 37 43	983	1701	-	186
Sandy Brown 砂黄色	H 79 39	824	-	XF59	93
Olive Drib 橄榄绿	H 78 38	-	-	-	-



H AQUEOUS HOBBY COLOR ■ Mr. COLOR