

# Soviet MT-LB 6MB

## 苏联MT-LB 6MB多用途装甲运输车

READ BEFORE ASSEMBLY:

- Study and understand these instructions thoroughly before beginning assembly
- When needed, remove photo-etch parts carefully using a modeling knife or photo etch sprue cutter, being careful not to damage or lose small parts.
- Take extra care in handling photo etch parts in order to avoid injury
- Apply instant cement sparingly to photo etch parts where instructed
- Tools recommended(not included in kit):Plastic and instant cements, sprue cutters,long nose pliers,modeling knife, small files, tweezers, pin vise & scissors. Soft cloth and sandpaper will also assist in construction
- Glue and paint are not included in the kit. Use plastic cement and hobby paints only. Color guide for purchasing paint is included in the kit.

装配之前仔细阅读

- 小心用模型锉刀锉平所有零件表面的注射浇口。
- 小心用刀片切下蚀刻片零件，不要遗失小零件。
- 用强力快干胶水粘合蚀刻片零件和金属轴。过量快干胶水使用可能导致可动零件会粘住，小心涂胶。
- 取蚀刻片时应特别注意安全，防止利边划伤手指。
- 某些零件表面需贴上水贴纸，请选择在装配的同时进行。
- 推荐模型工具(自备)：胶水，水口剪刀，长咀钳，刀片，锉刀，镊子，钳，钻，剪刀，瞬间快干胶。
- 软布同砂纸同时也应该是必备工具。
- 请使用塑料胶水和油漆，模型内不含。



配重  
Weight



使用强力胶  
Cyanoacrylate glue



钻孔  
Make hole



切除  
Cut / Remove



贴纸  
Decal



锉平  
File / Sand



选择  
Option



不涂胶水  
No cement



弯曲  
Bend



先装  
Install it first

水贴纸的使用:

- 1.从水贴纸上剪下印花;
- 2.将印花放入温水中浸10秒, 然后放在干净布上。
- 3.拿着印花纸板将印花移到模型上;
- 4.手指蘸水将印花移到适当的位置;
- 5.用软布轻压印花直至水干, 气泡消失

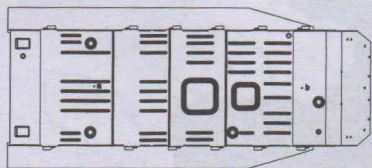
DECAL APPLICATION

- 1.Cut decals from sheet as needed
- 2.Dip the decal in warm water for about 10 seconds and then place on soft clean cloth.
- 3.Hold the decal backing sheet edge and gently slide the decal onto the model in its proper position.

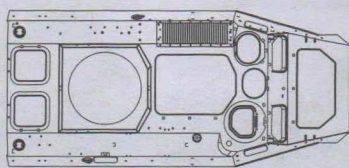
- 4.While still wet,decal can be adjusted for better fit on model by dampening it gently with your finger.
- 5.When placed in the proper position,gently press decal down with a soft cloth until excess water and air bubbles are gone.
- 6.Allow decal to dry completely before handling model

# 部品图 Parts

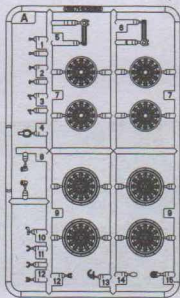
《车底》  
Lower hull



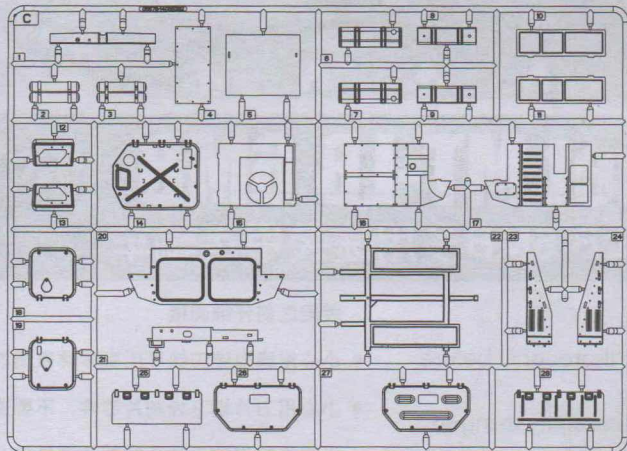
《车面》  
Upper hull



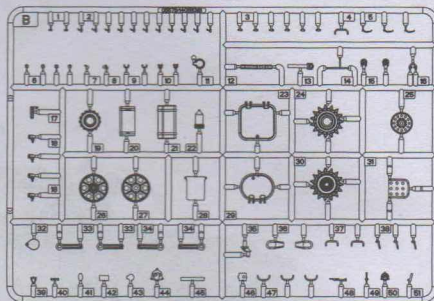
Ax3



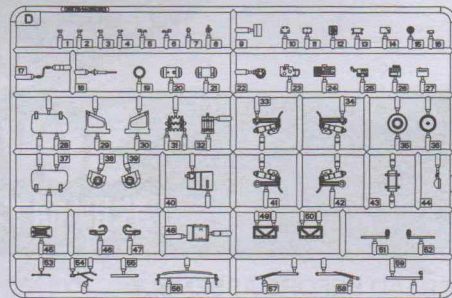
C



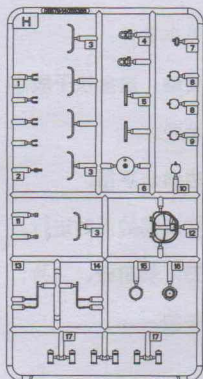
Bx2



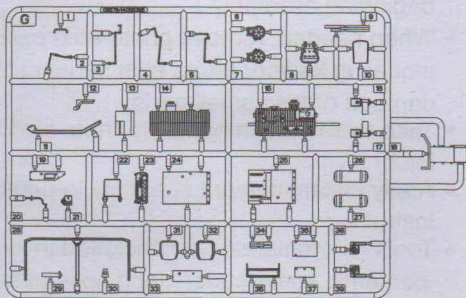
D



H



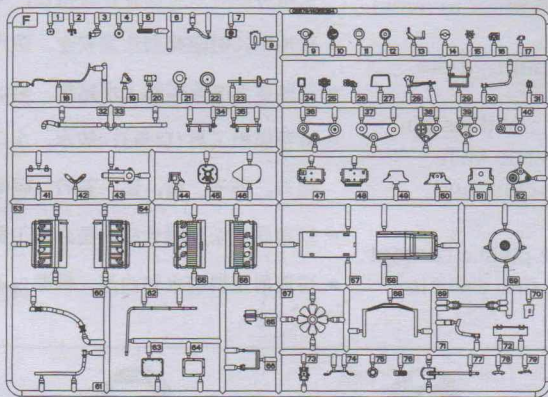
G



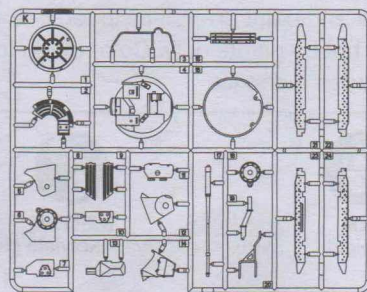
履带 X120  
Track



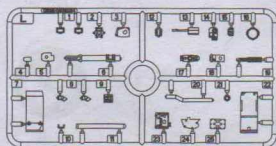
F



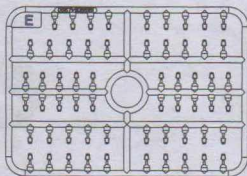
K



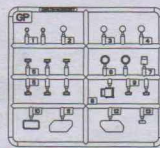
L



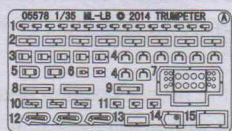
Ex8



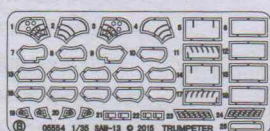
GP



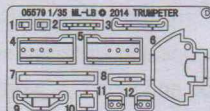
PE 《蚀刻片》-A



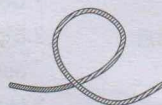
PE 《蚀刻片》-B



PE 《蚀刻片》-D



《铜线》x200mm  
Brass wire



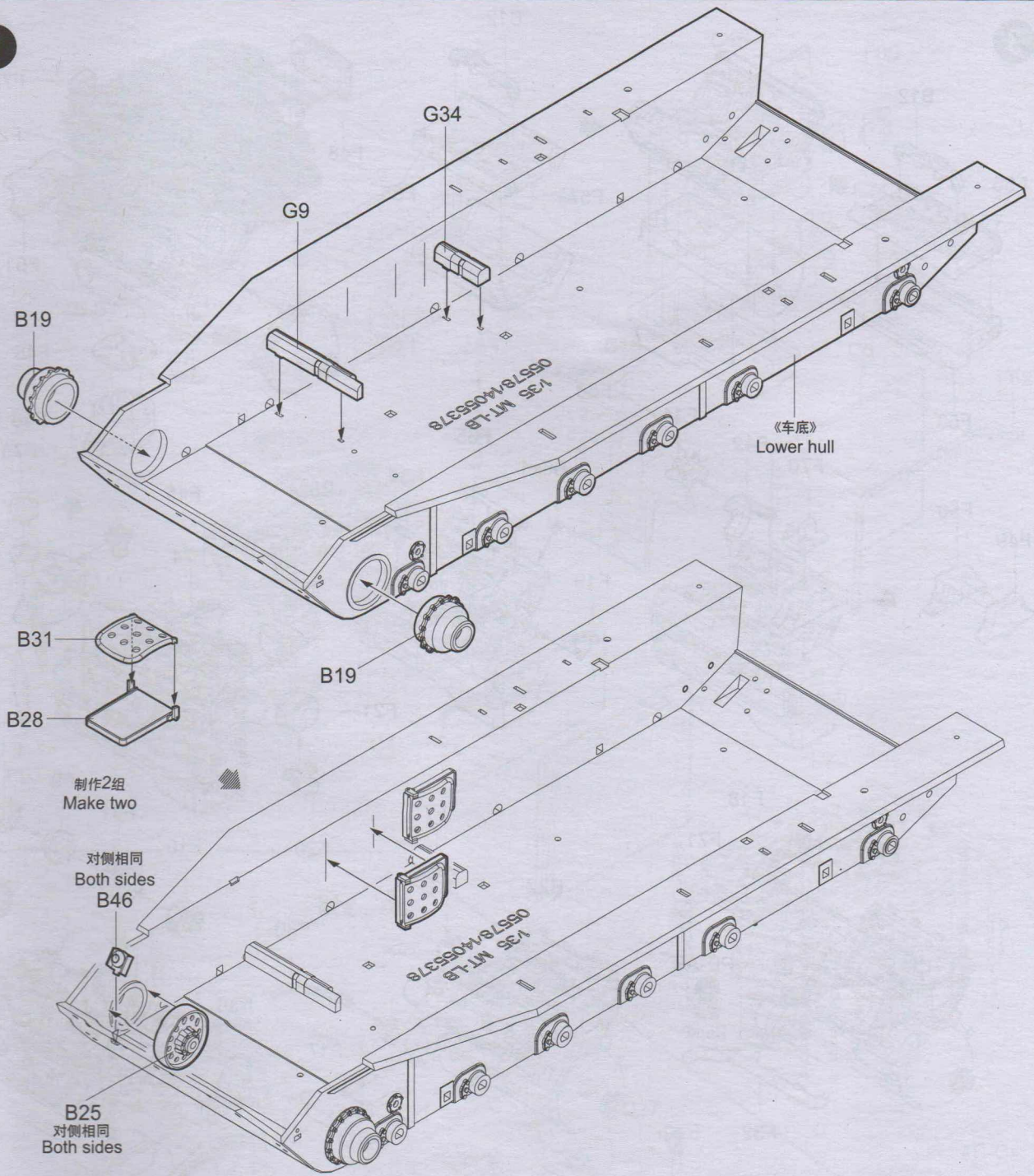
《水贴》  
Decal



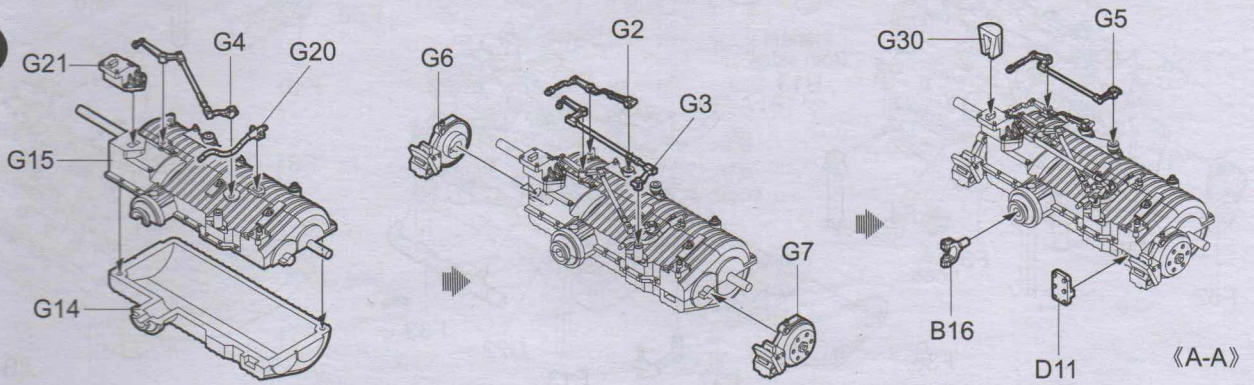
不用部件: A1, A2, A3, A4, A5, A6, A8, A10, A13, K3, K21, K22, K23, K24, GP1, GP6, GP10, GP13

Unused parts:

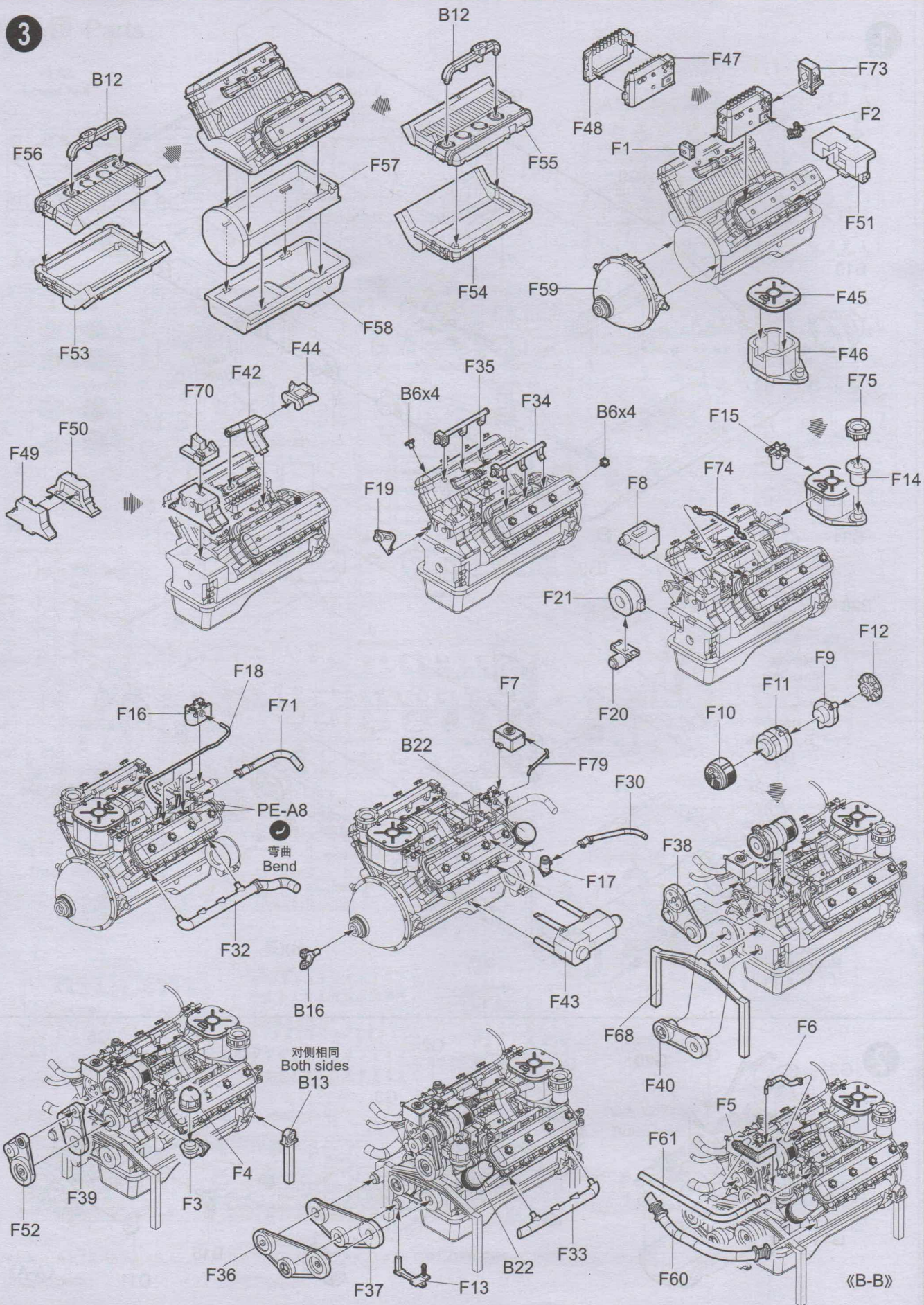
1



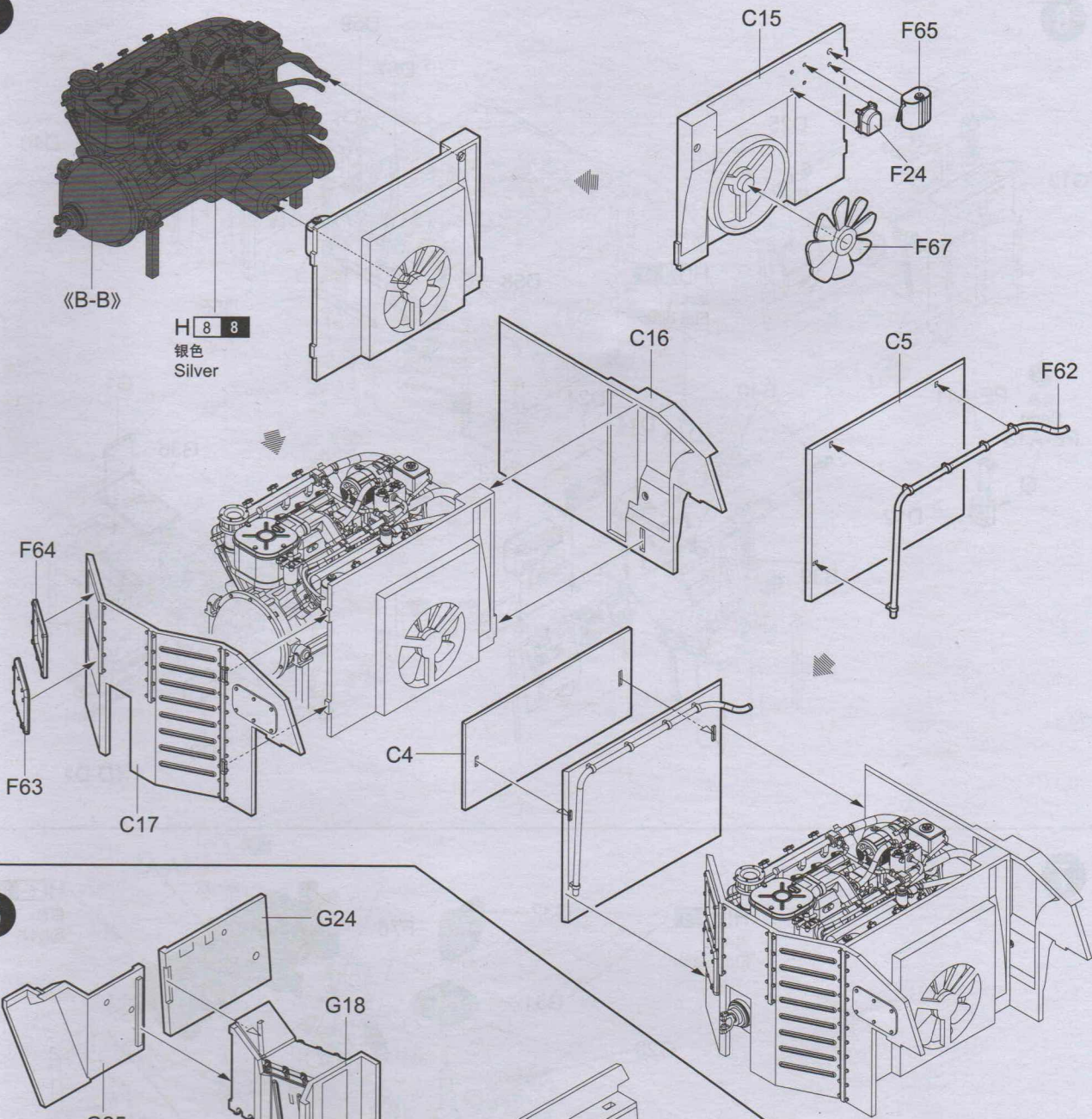
2



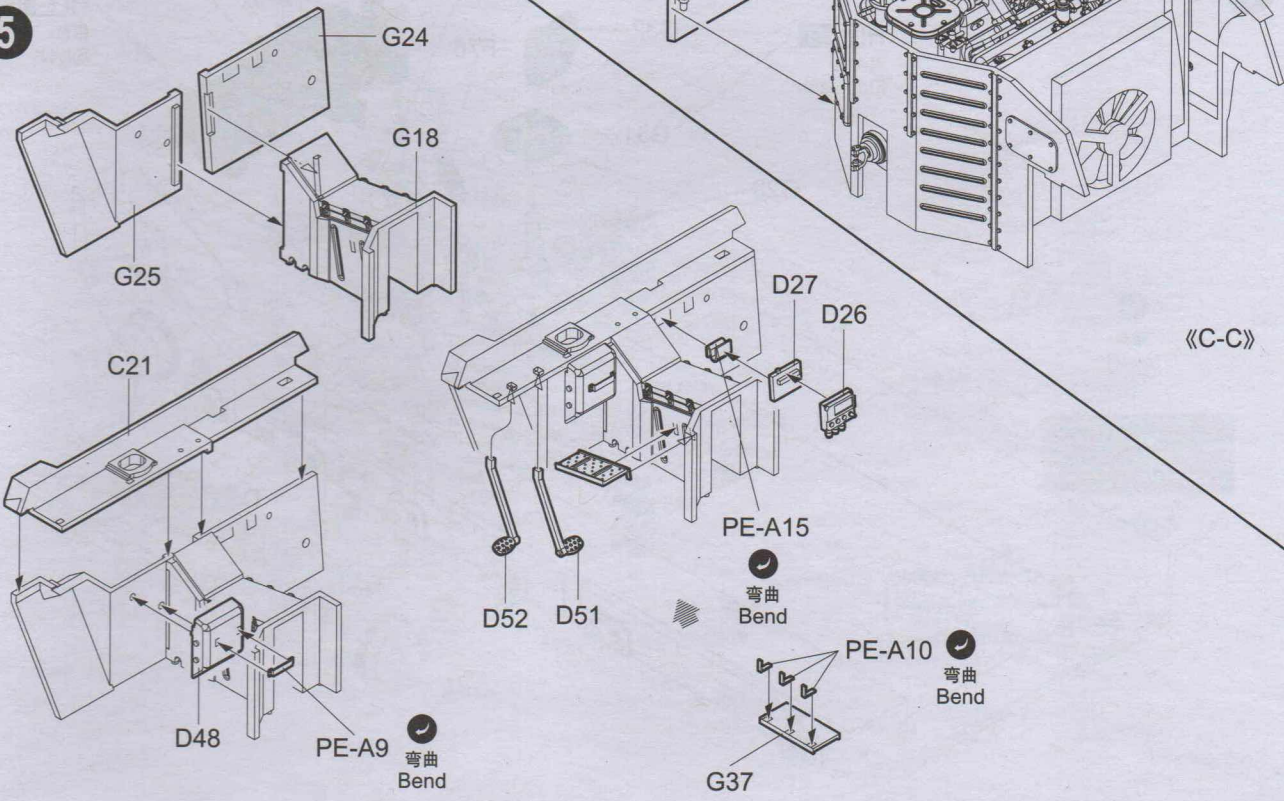
3



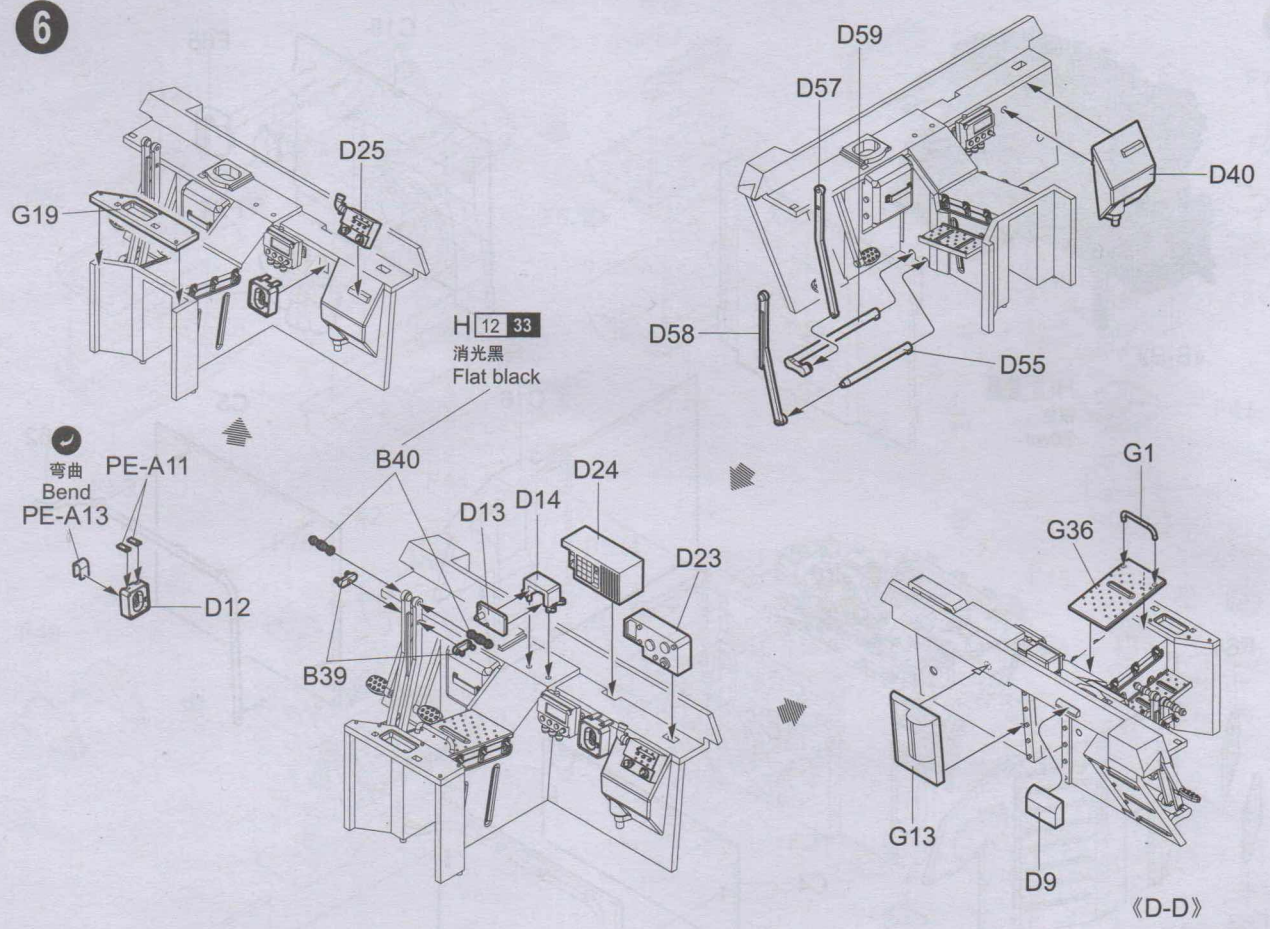
4



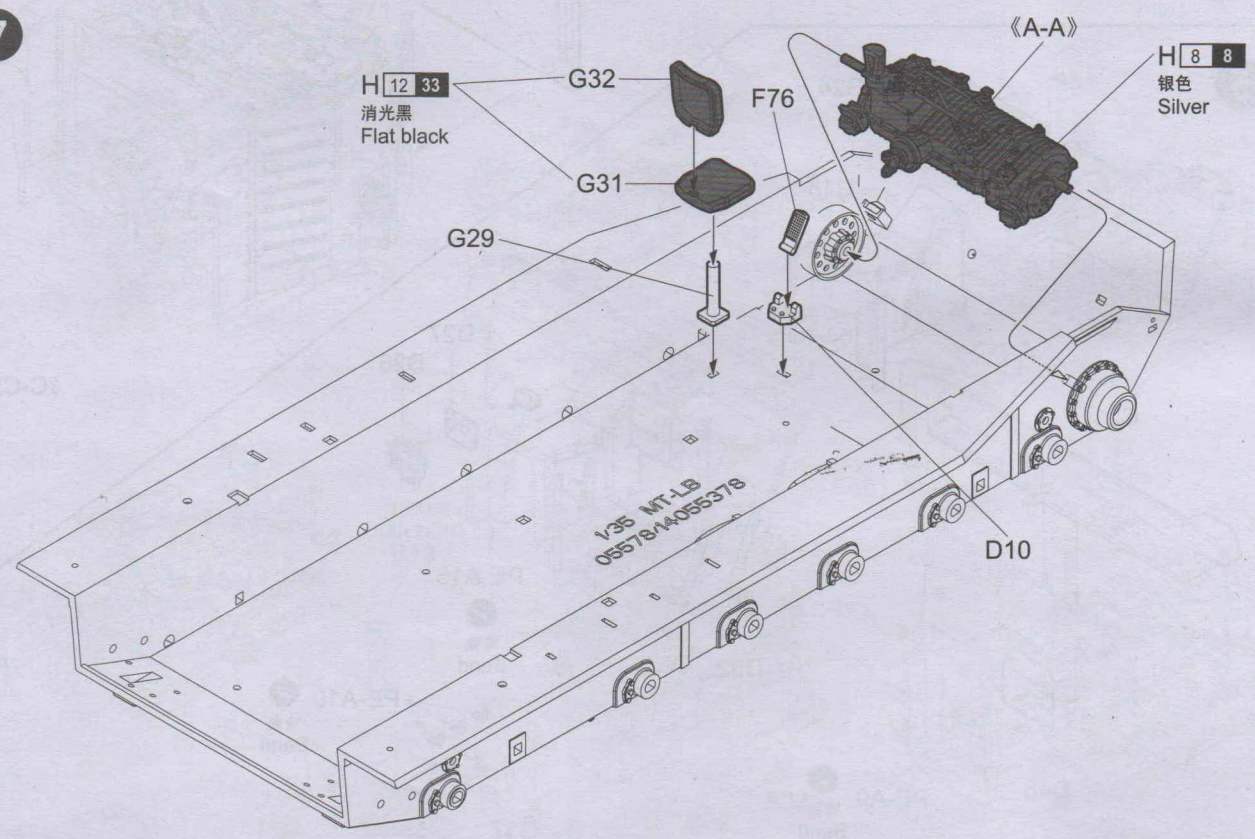
5

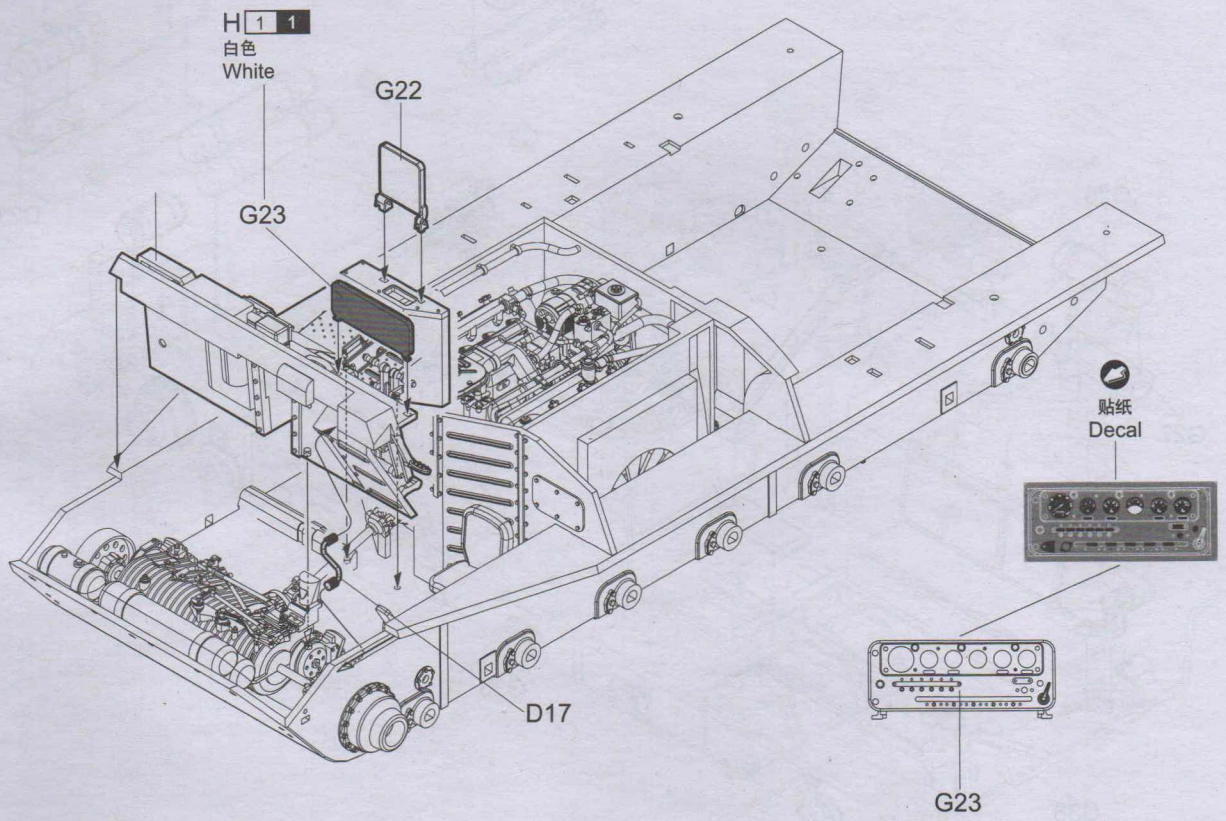
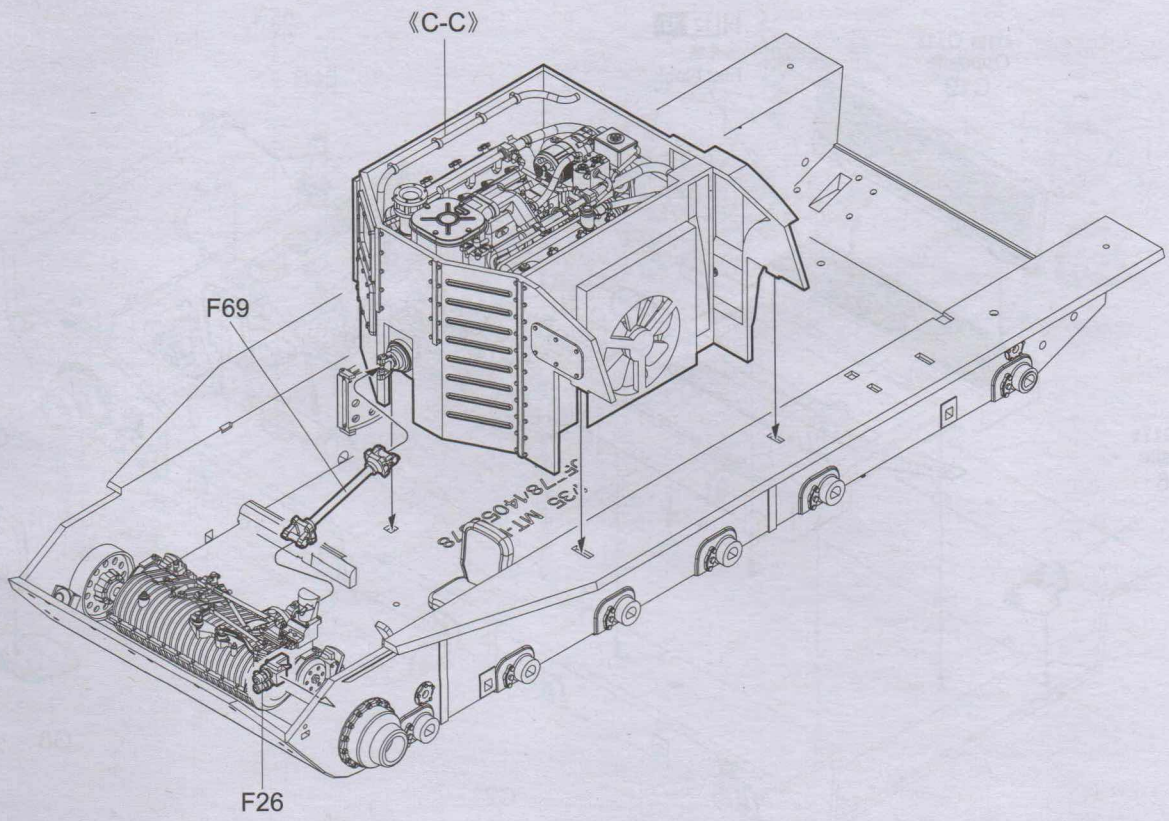


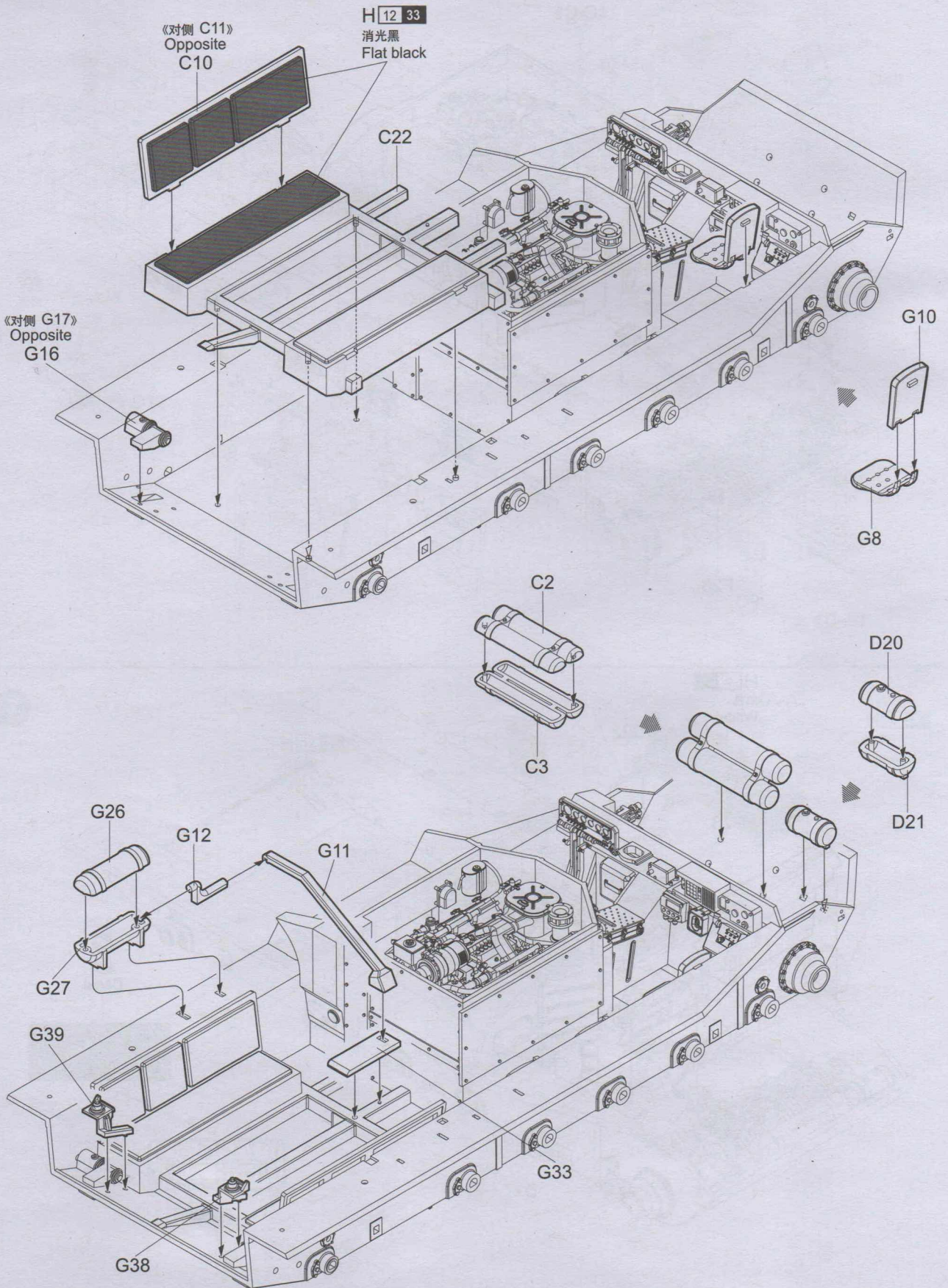
6

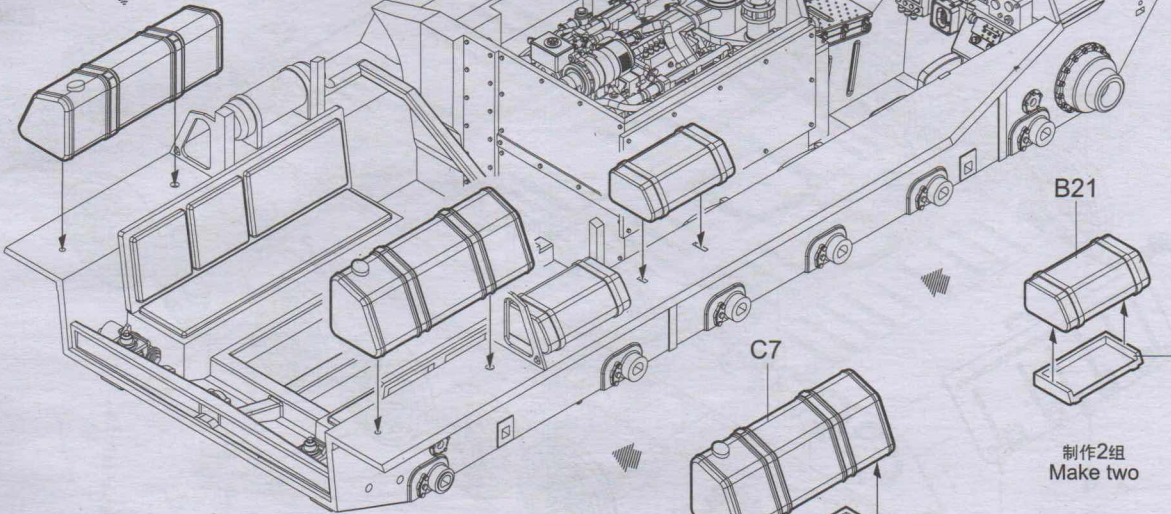
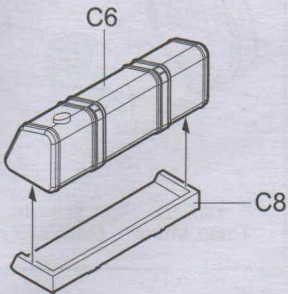
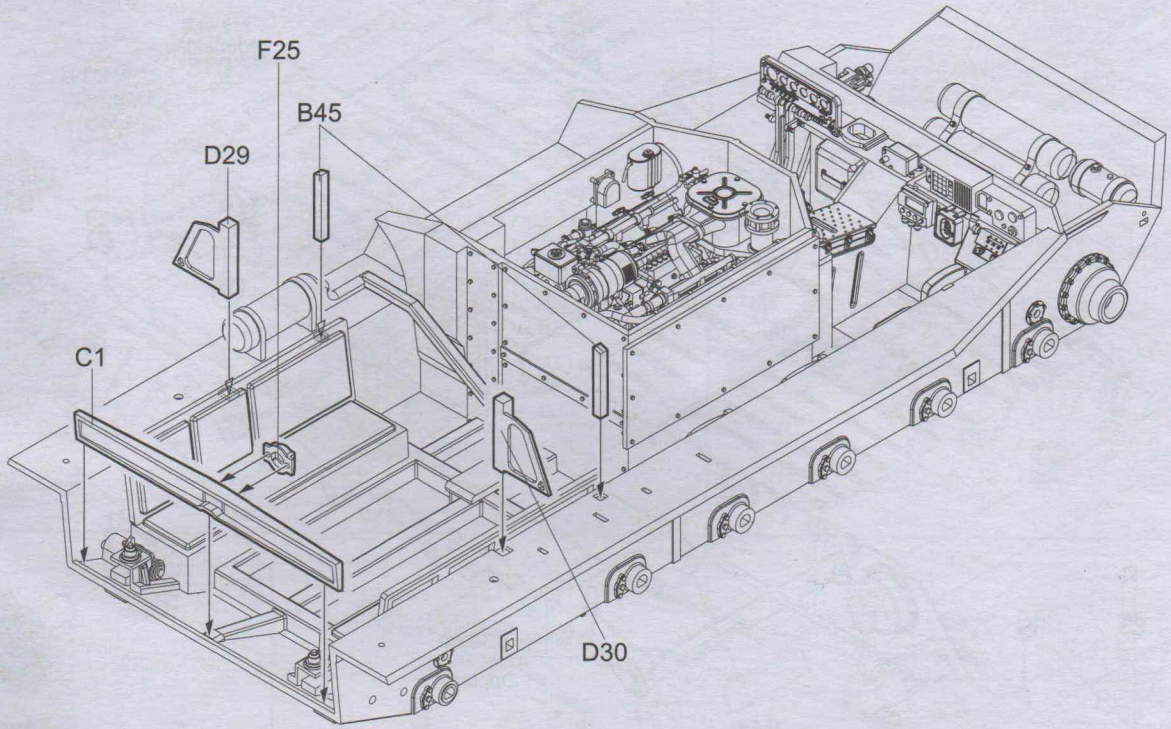


7

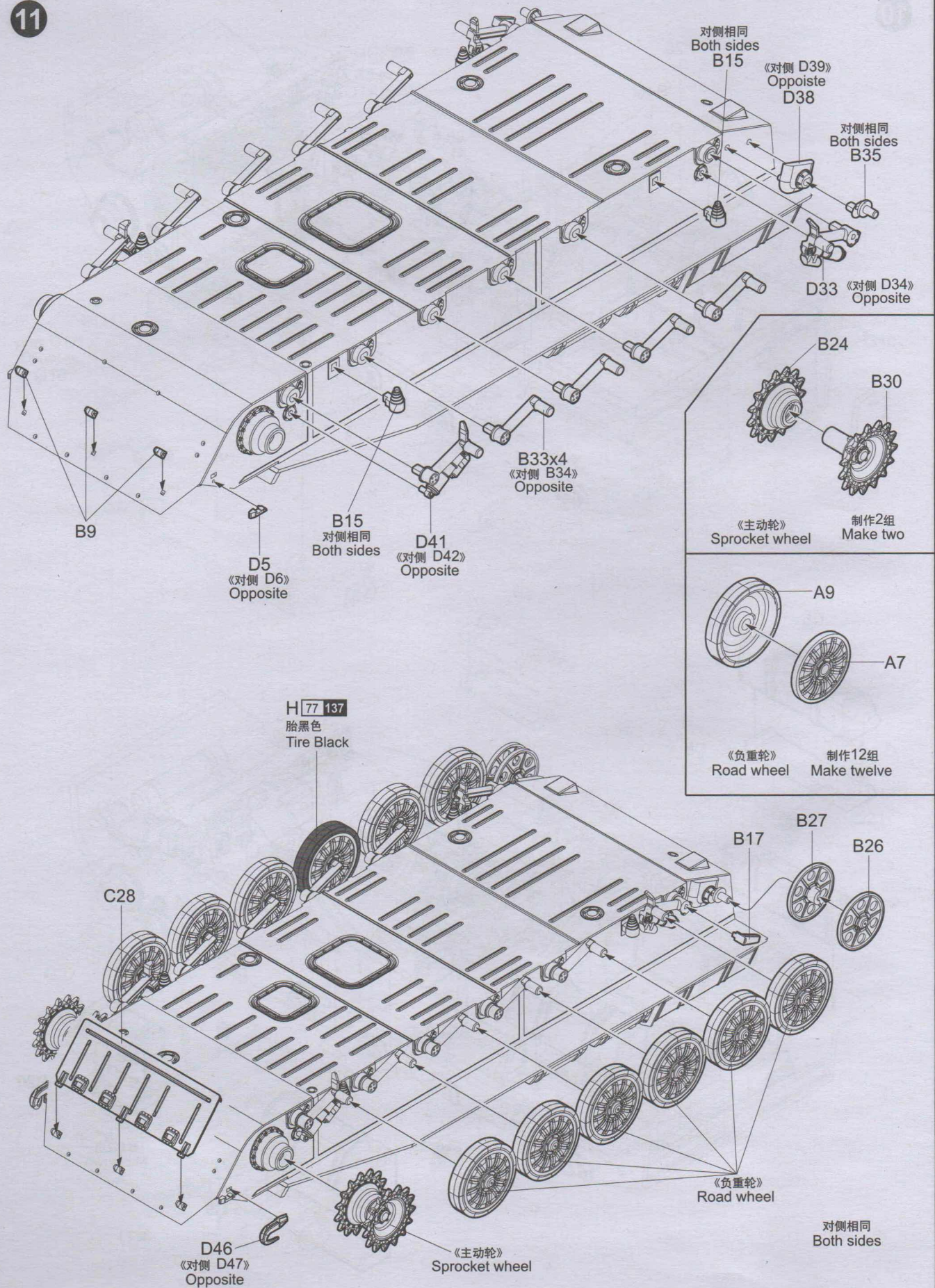




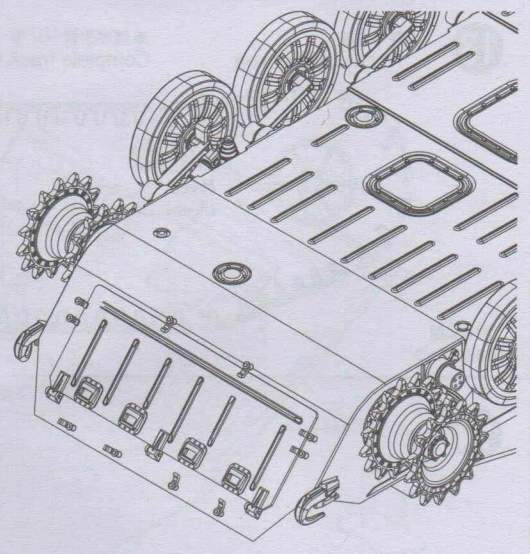
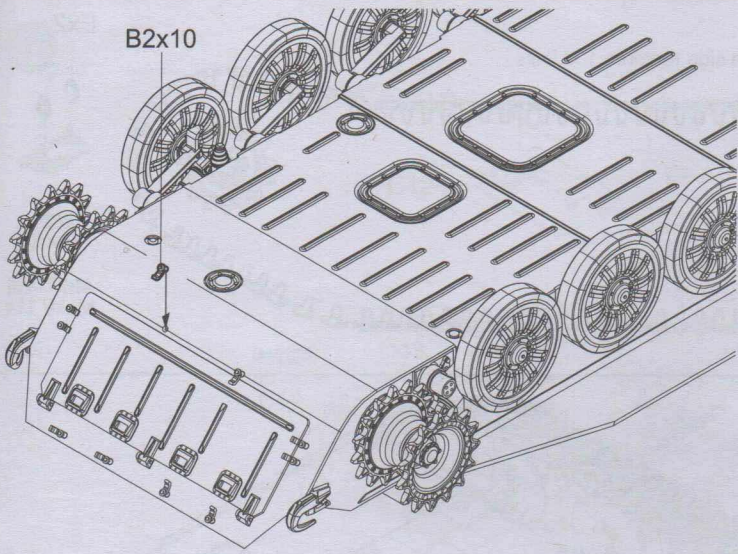




制作2组  
Make two



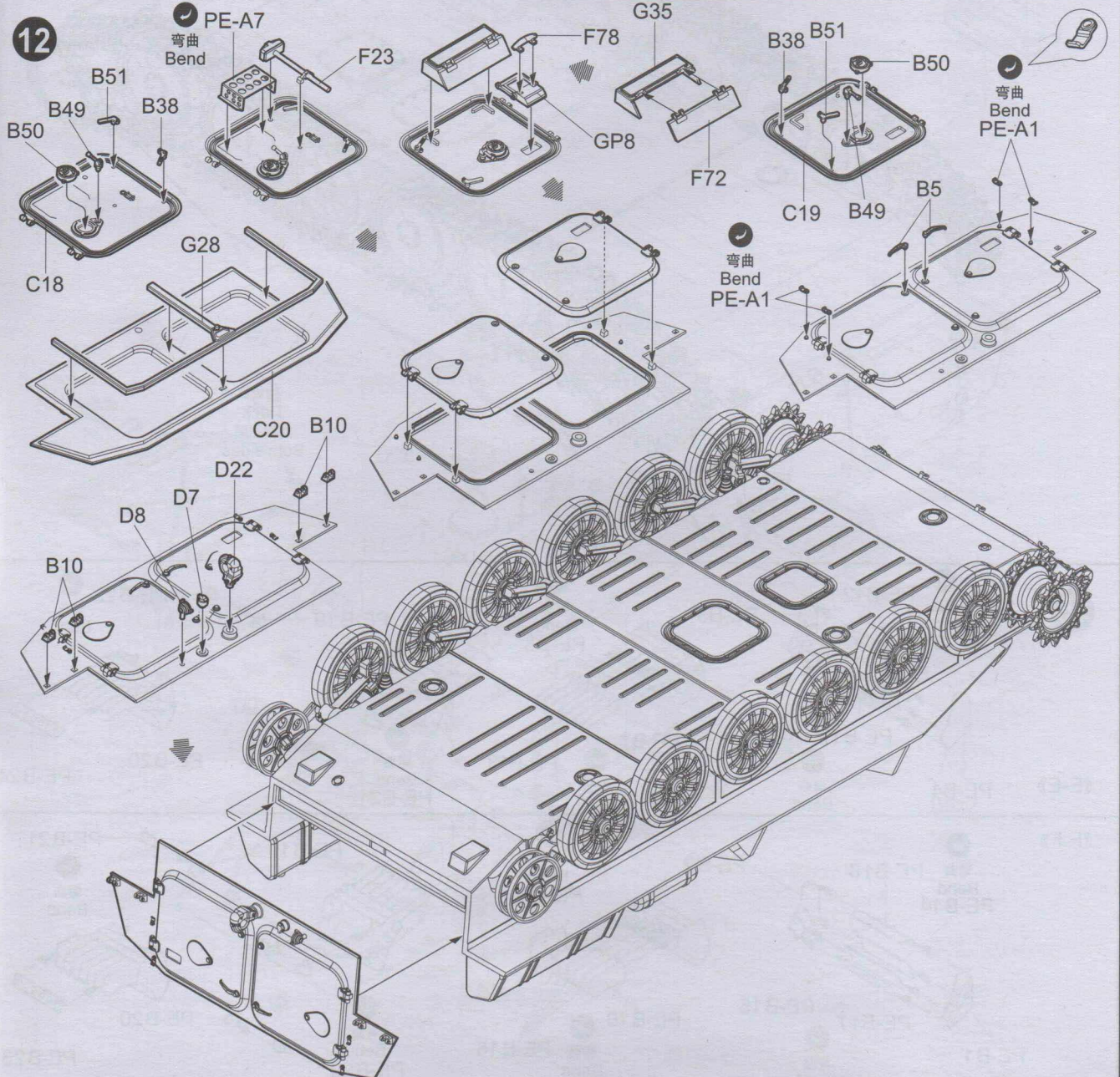
B2x10



12

PE-A7

弯曲  
Bend



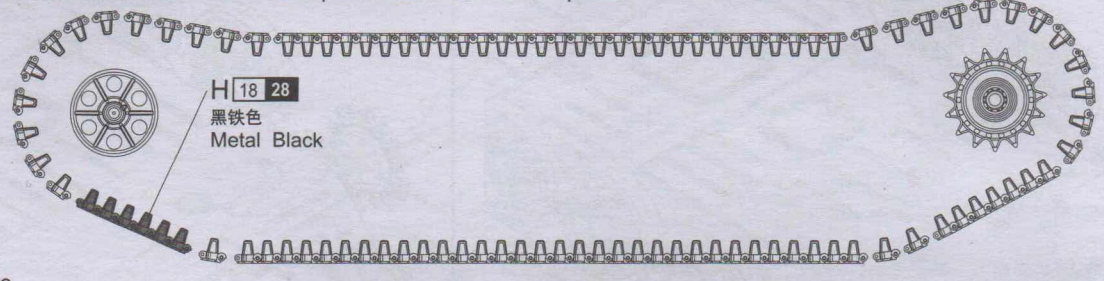
弯曲  
Bend  
PE-A1

弯曲  
Bend  
PE-A1

13

履带联接  
Track construction

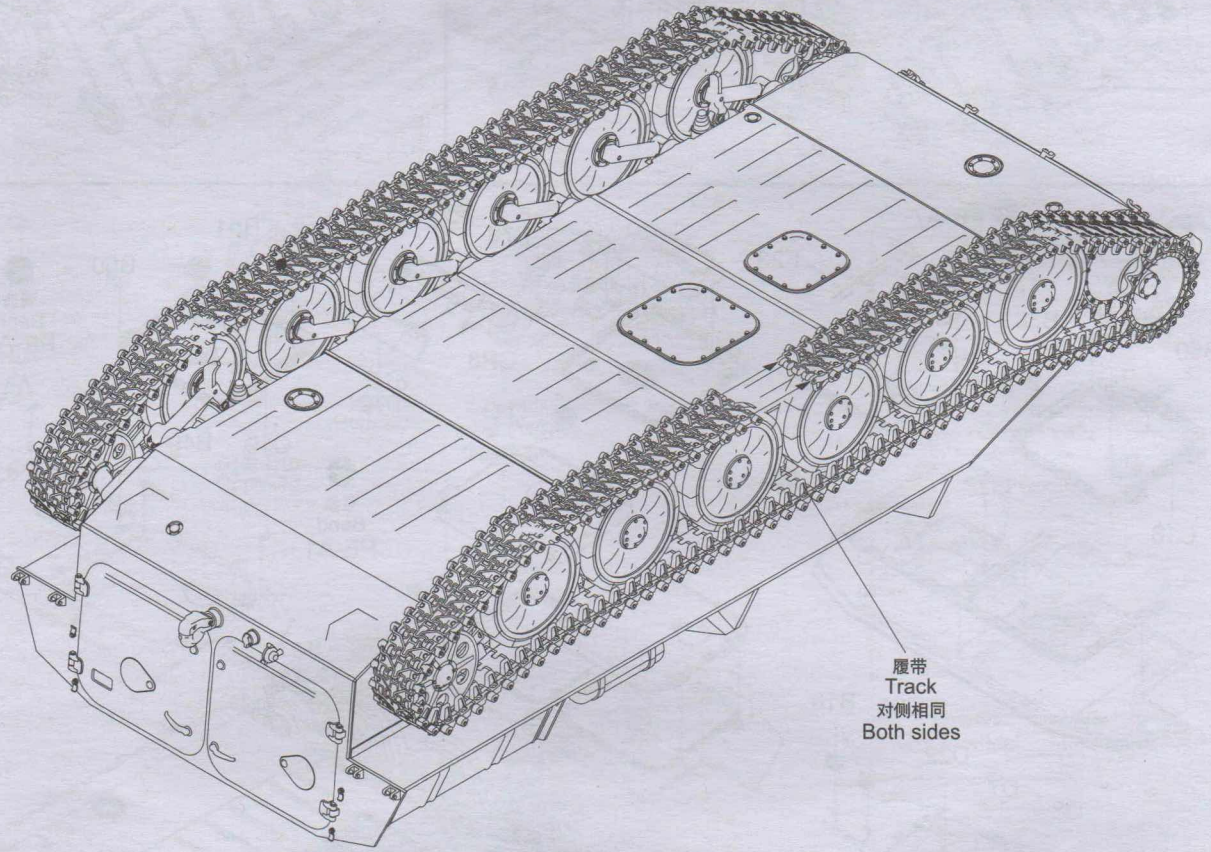
单侧履带需107节  
Complete track for one side requires 107 links



制作2组  
Make two

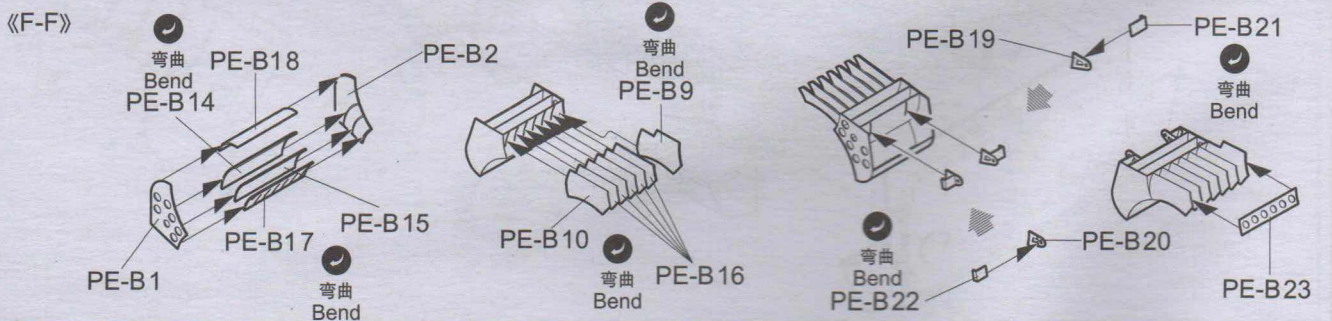
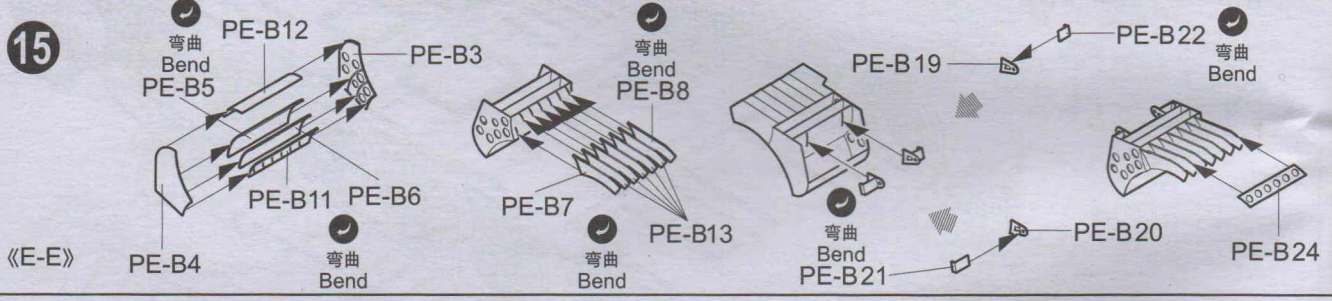
Ex2  
履带  
Track  
制作114组  
Make 114

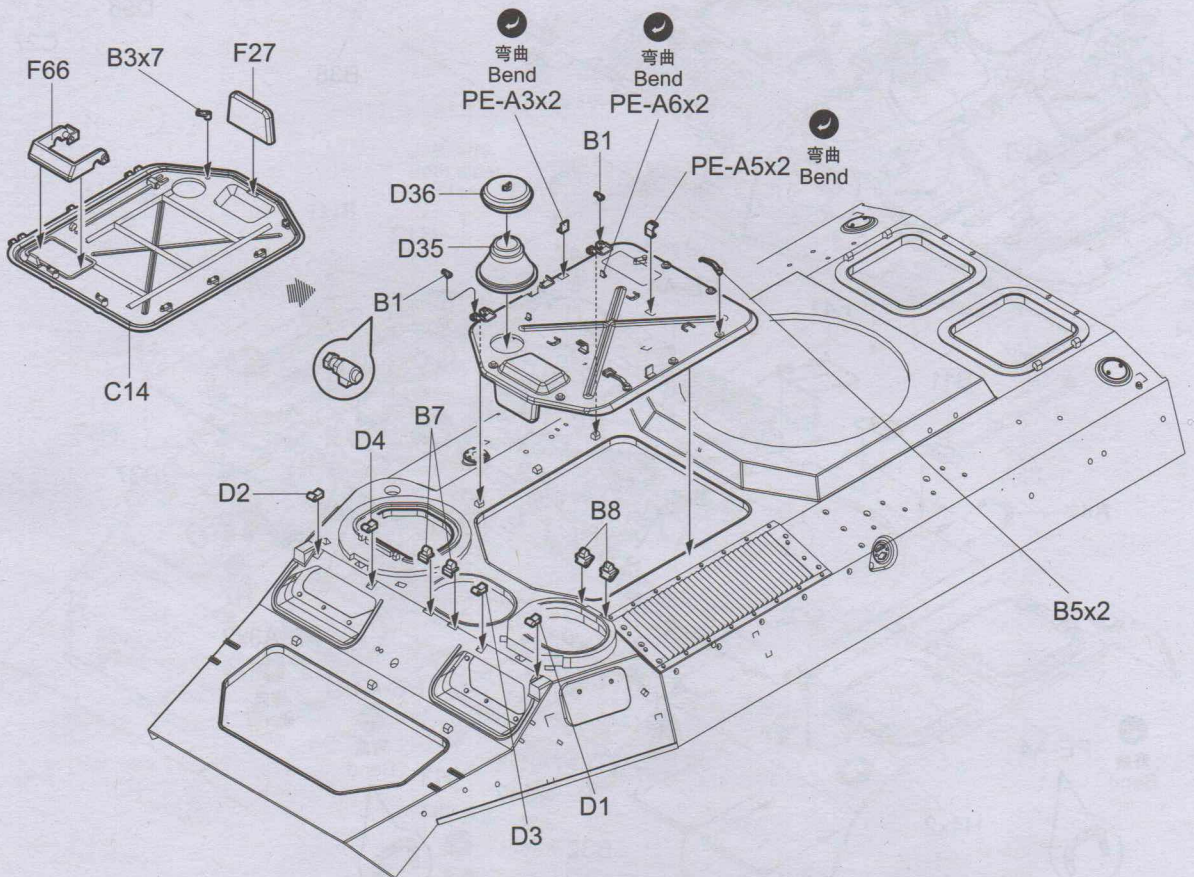
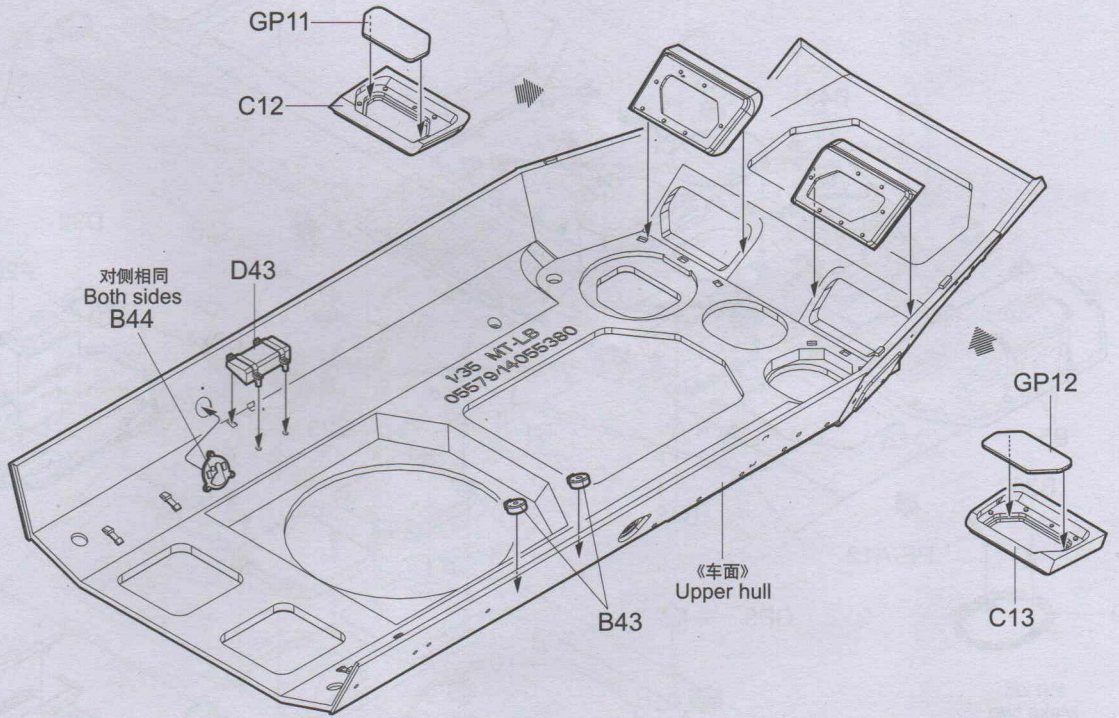
14

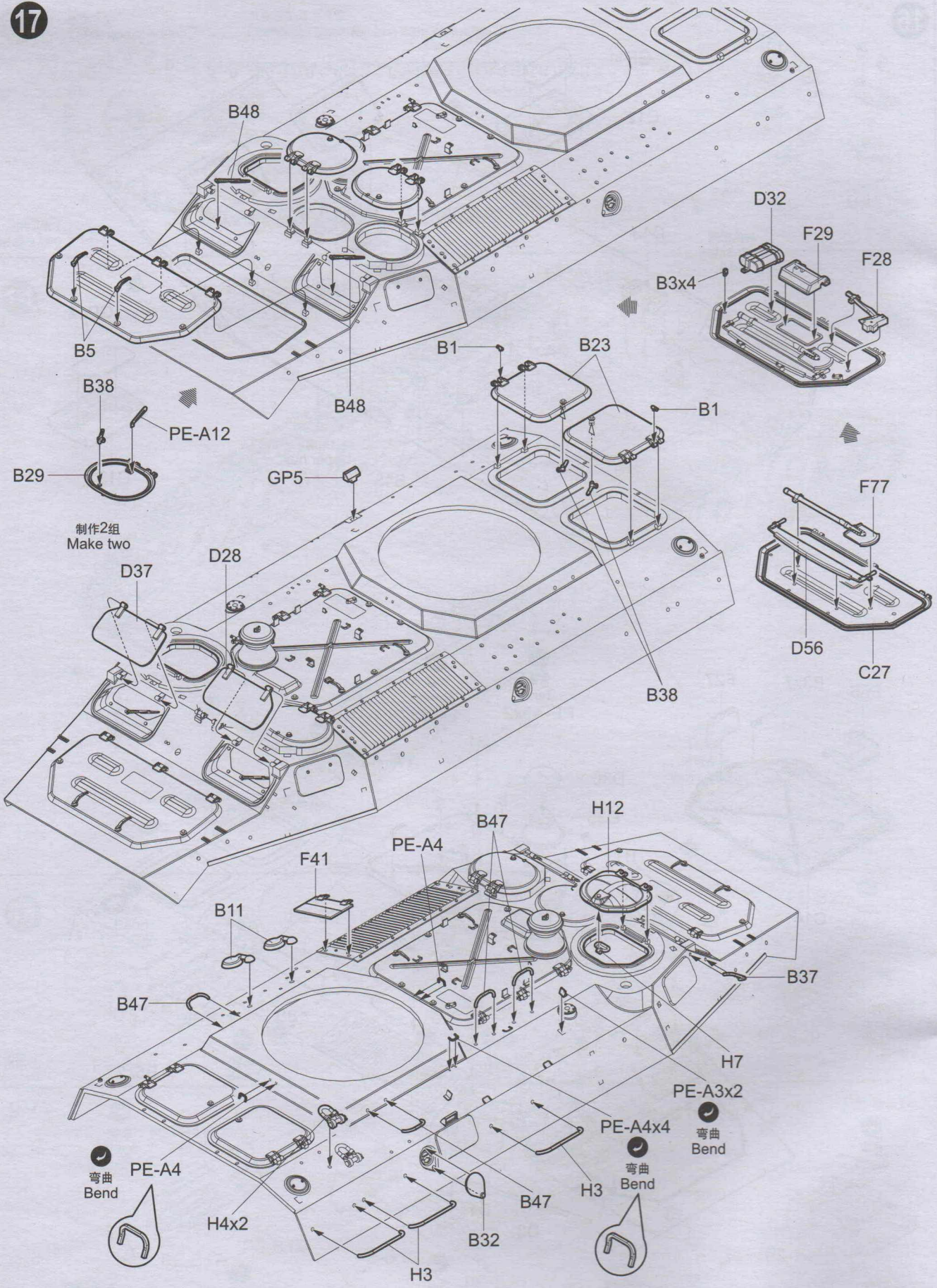


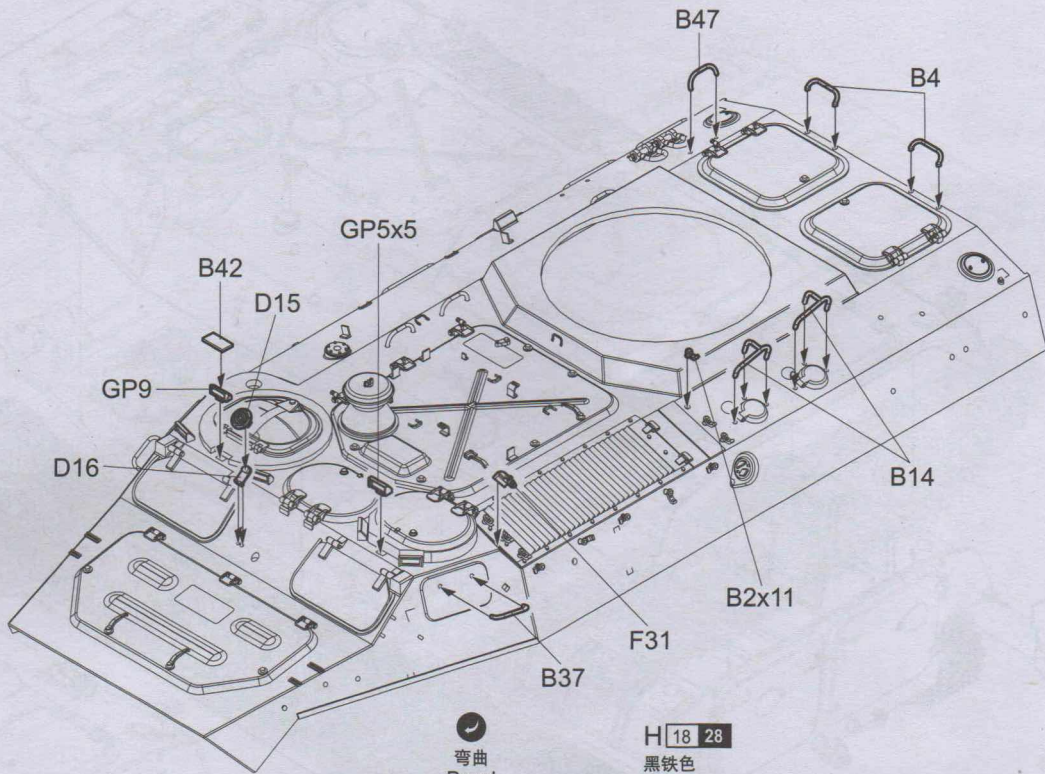
履带  
Track  
对侧相同  
Both sides

15









弯曲  
Bend

H 18 28  
黑铁色  
Metal Black

PE-D11 PE-D1

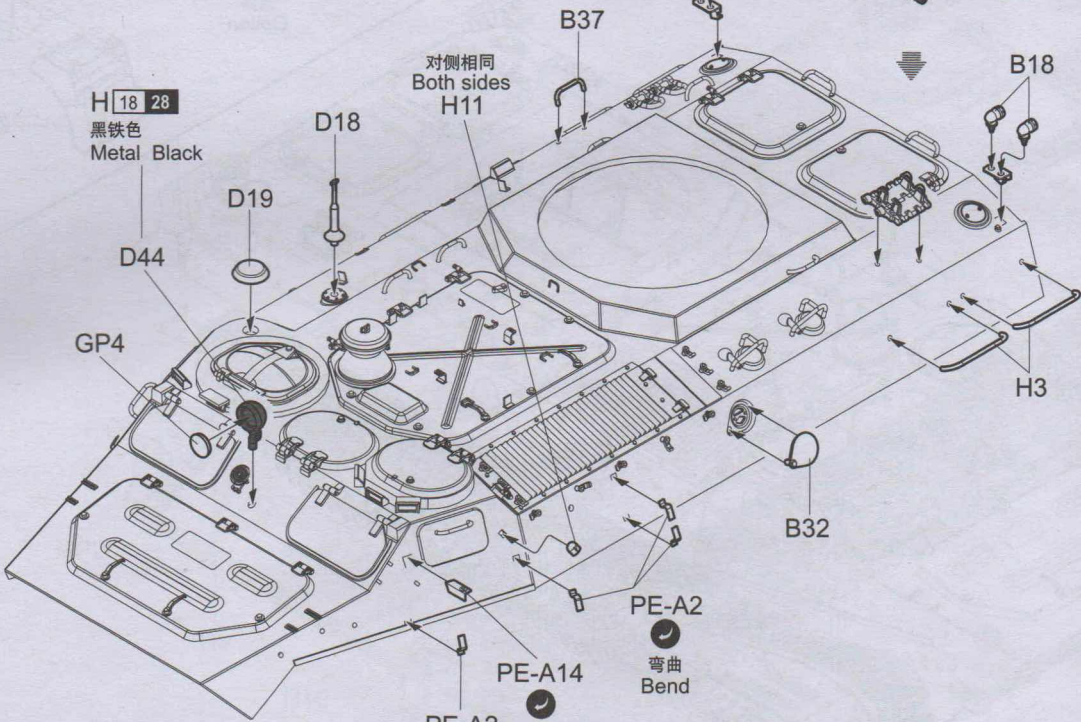
Ex2

弯曲  
Bend  
PE-D12

H 18 28  
黑铁色  
Metal Black

对侧相同  
Both sides  
H11

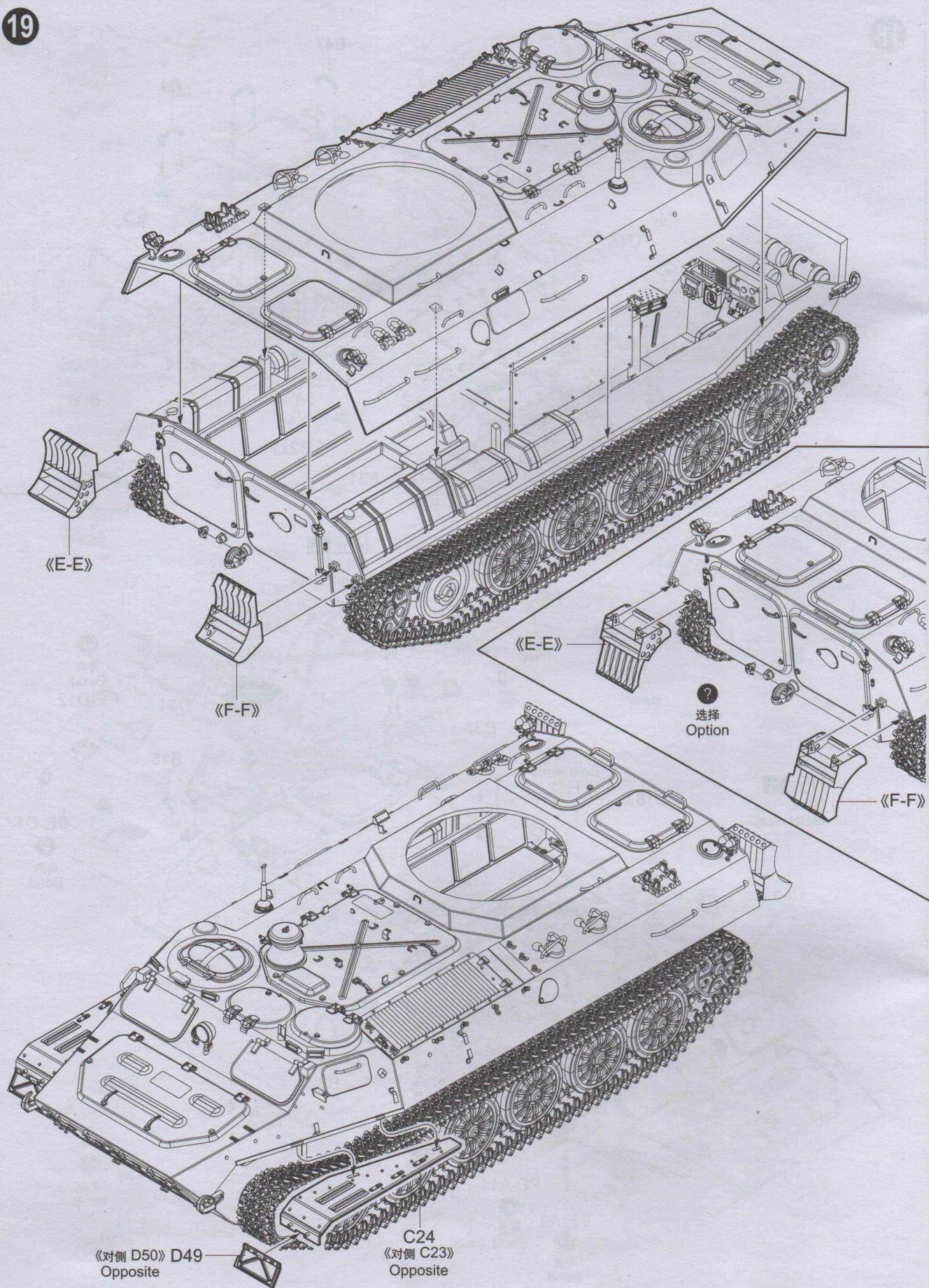
PE-D1  
弯曲  
Bend

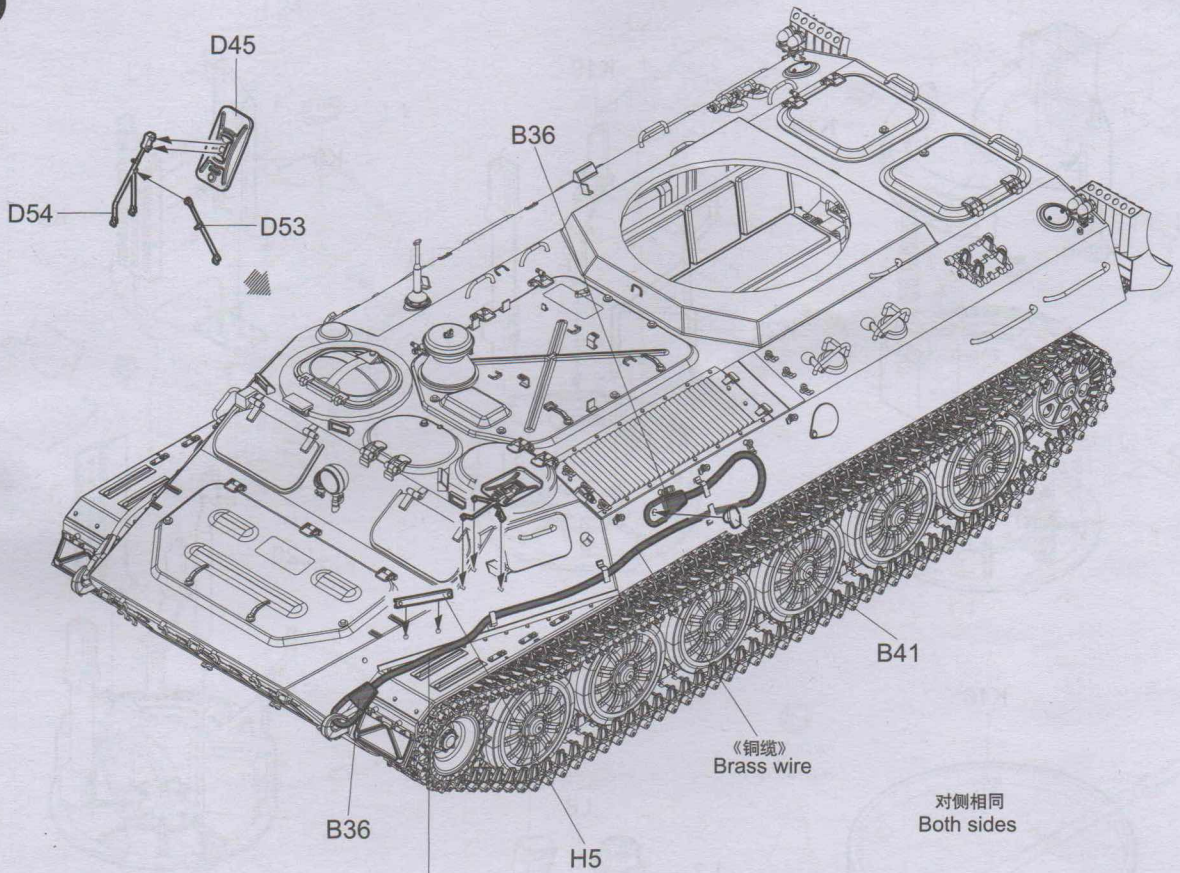


PE-A2  
弯曲  
Bend

PE-A14  
弯曲  
Bend

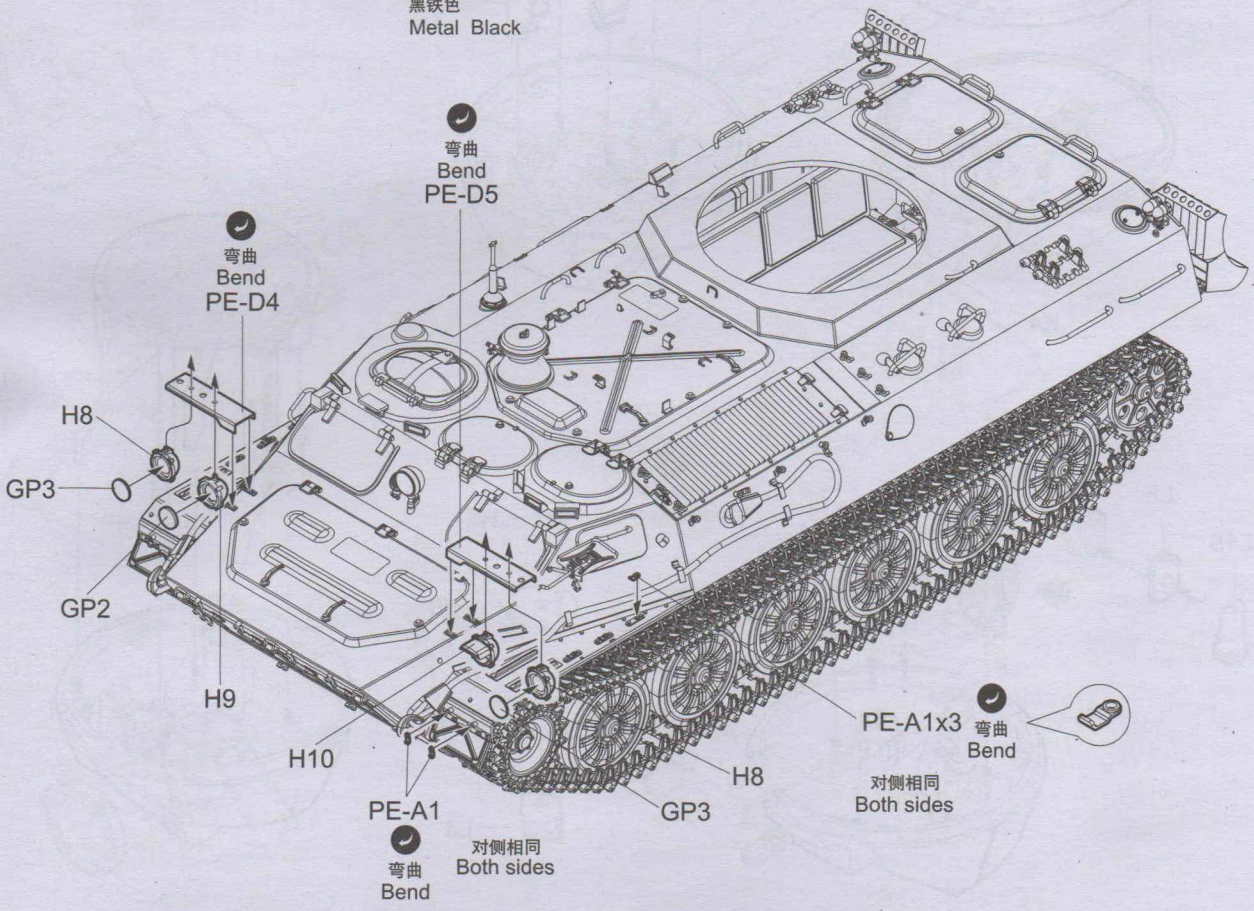
PE-A2  
弯曲  
Bend





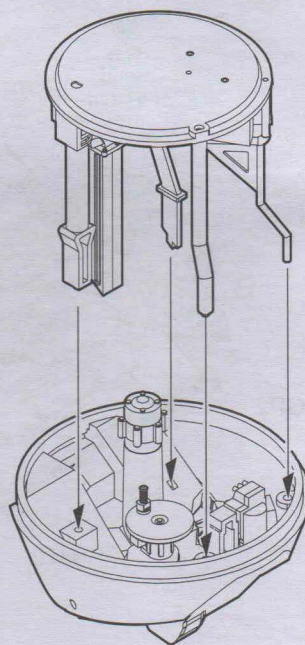
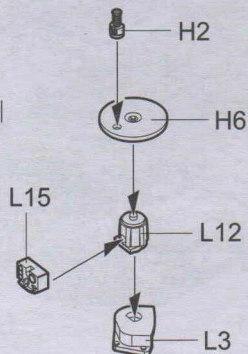
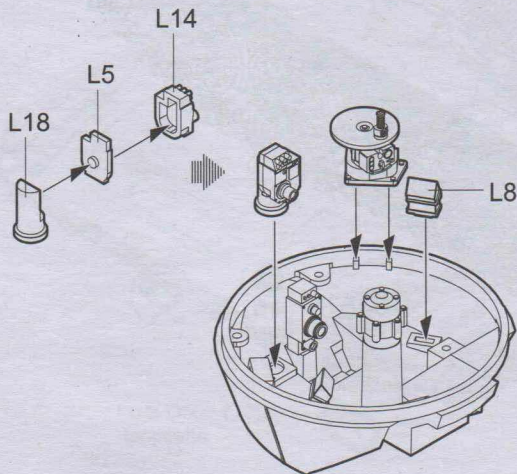
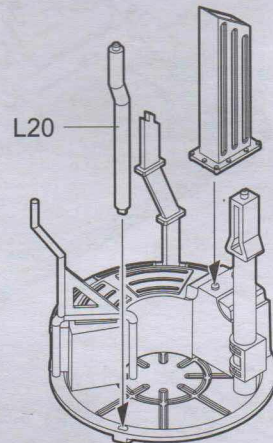
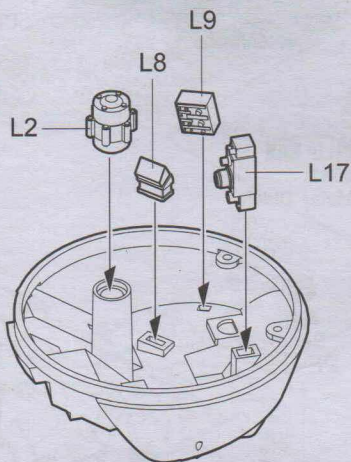
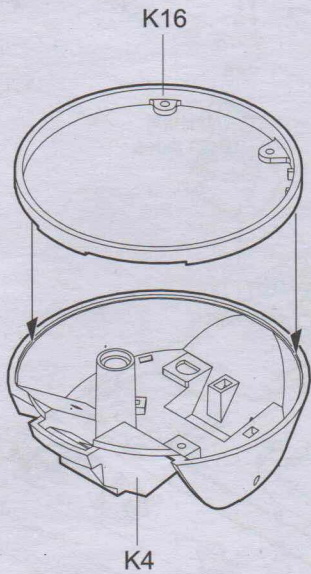
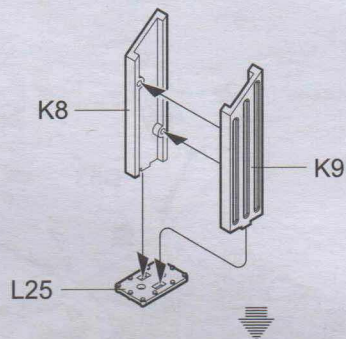
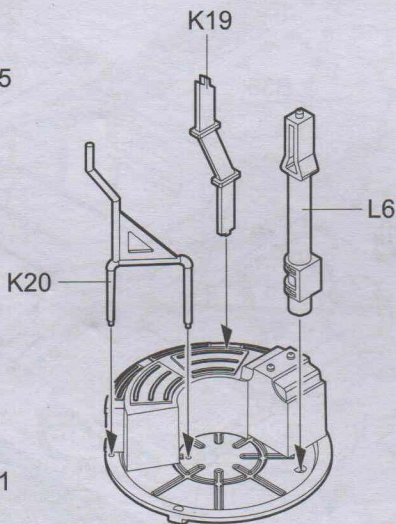
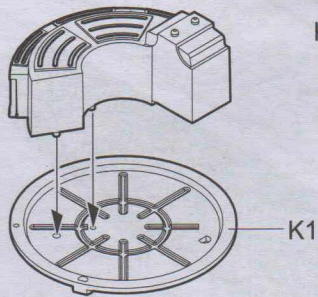
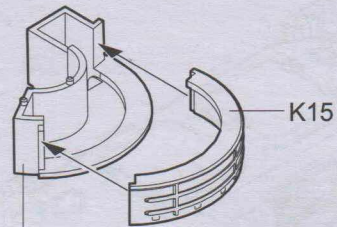
对侧相同  
Both sides

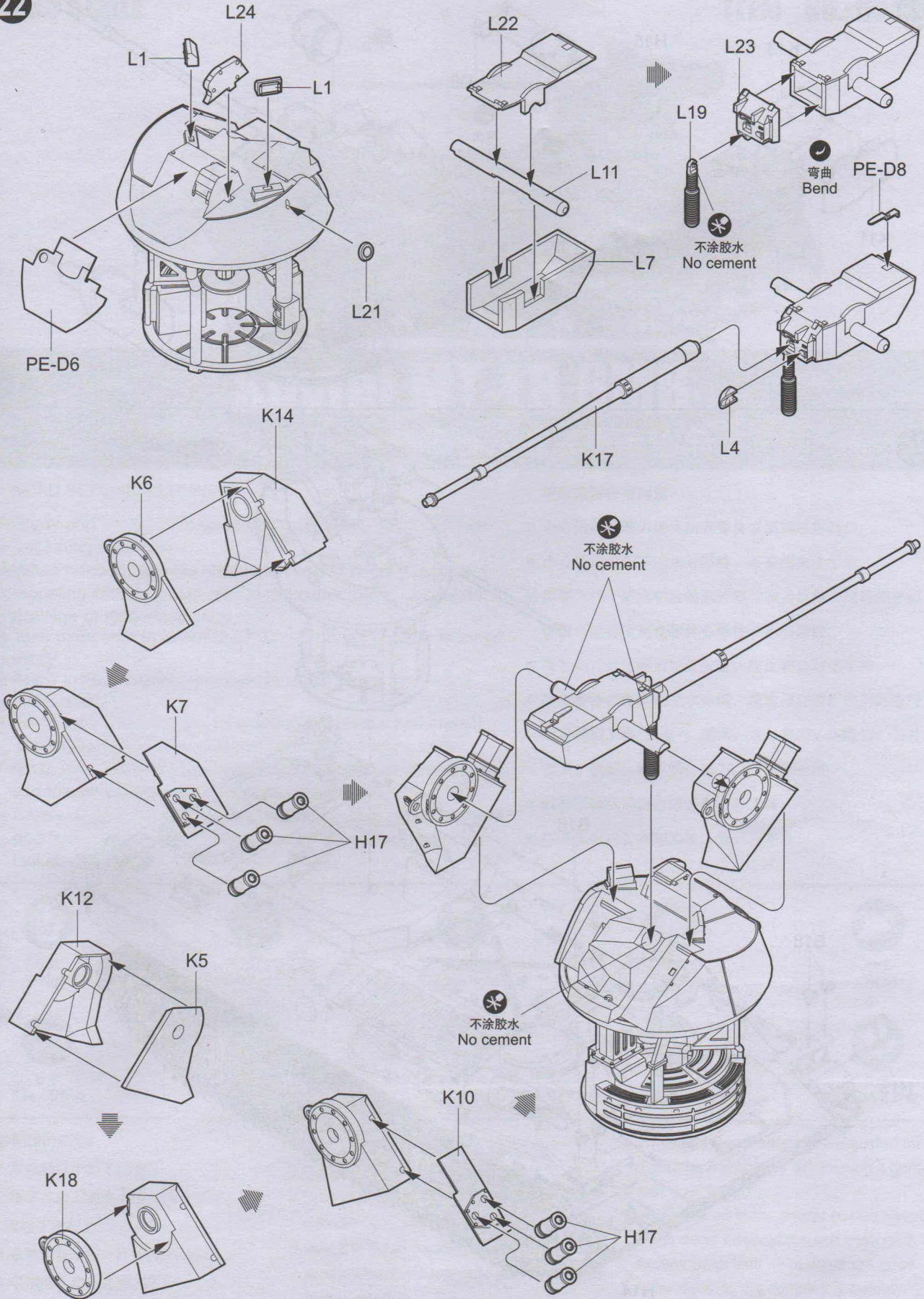
H18 28  
黑铁色  
Metal Black



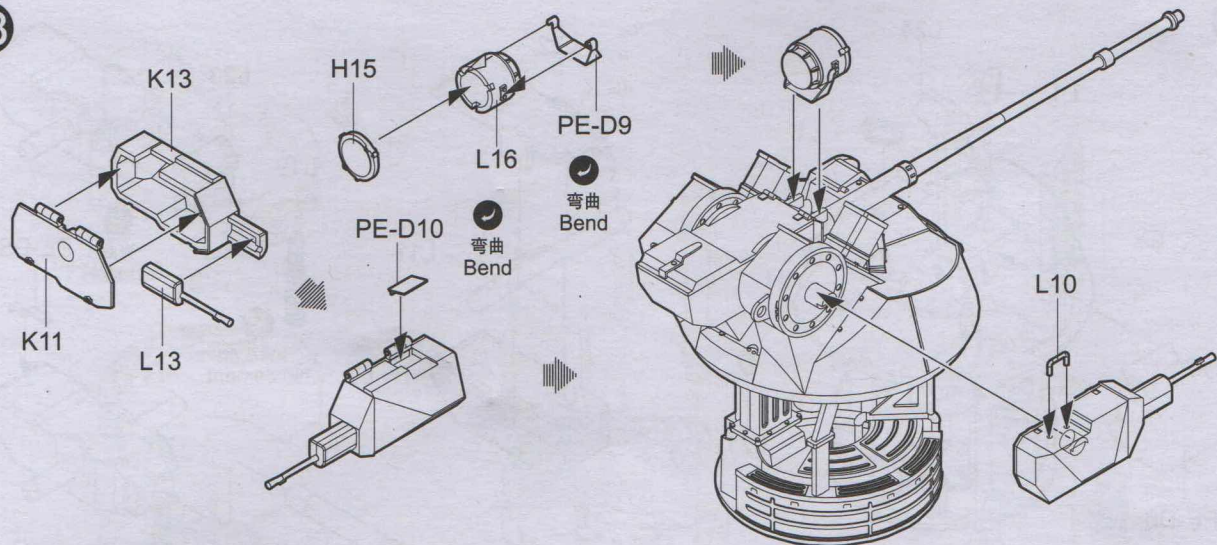
对侧相同  
Both sides

对侧相同  
Both sides

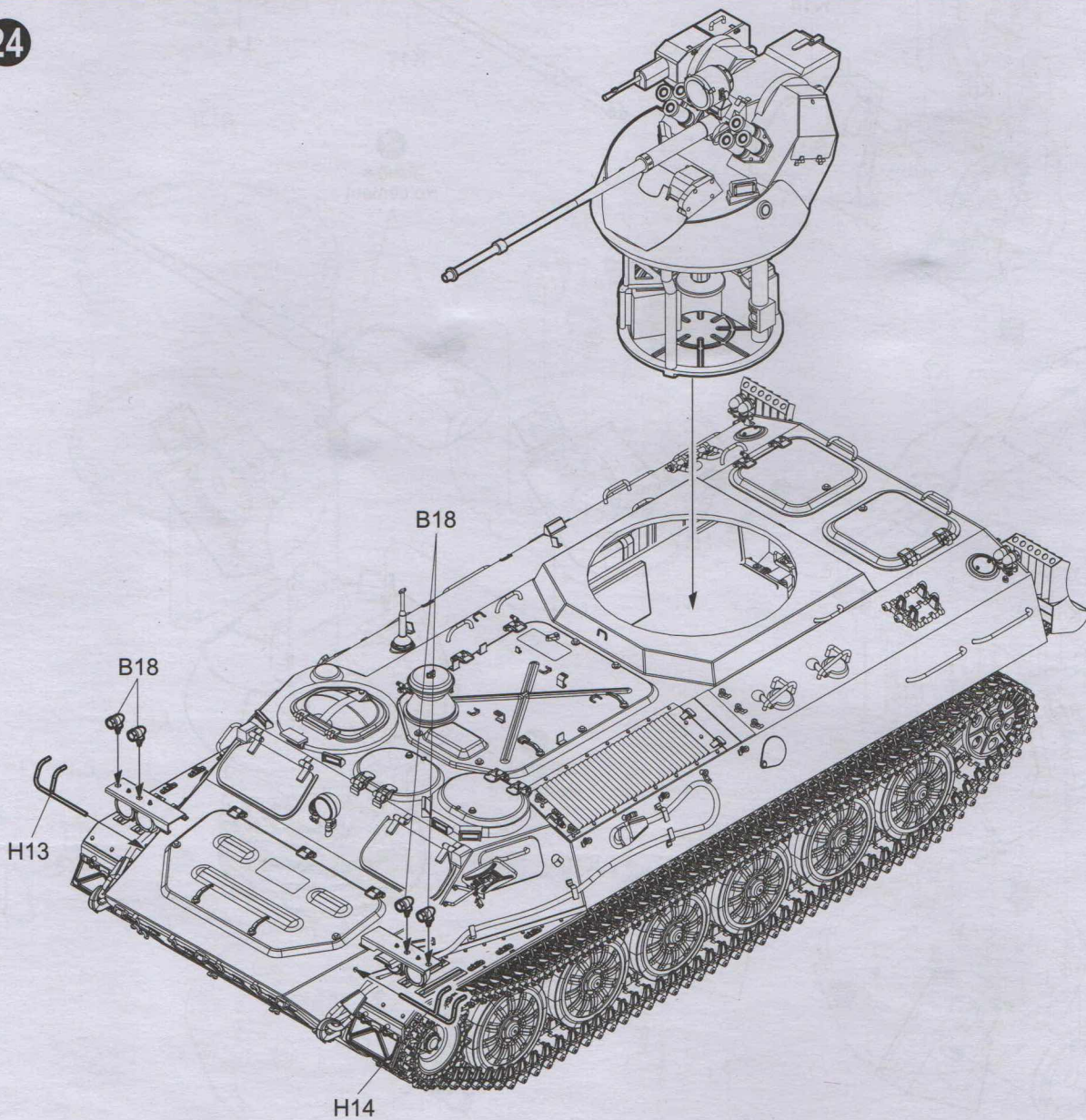




23



24



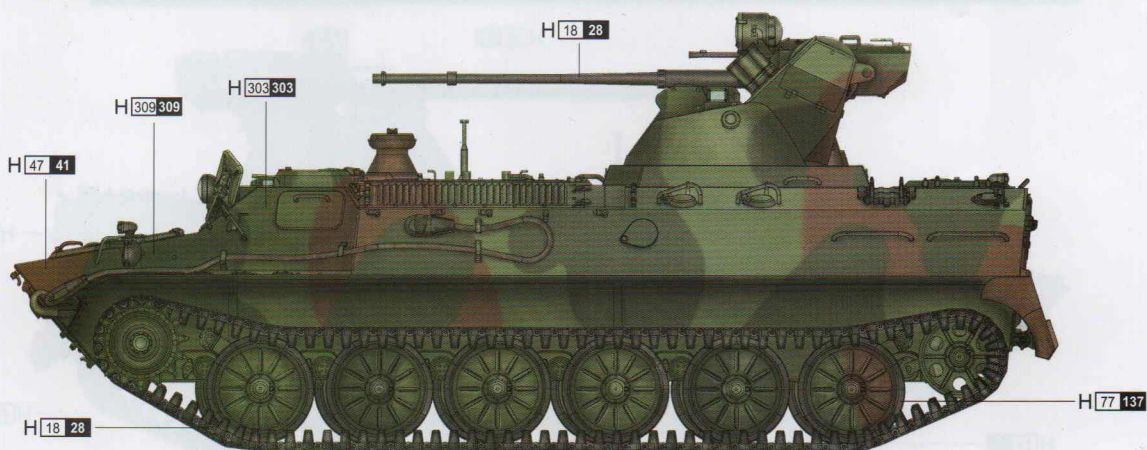
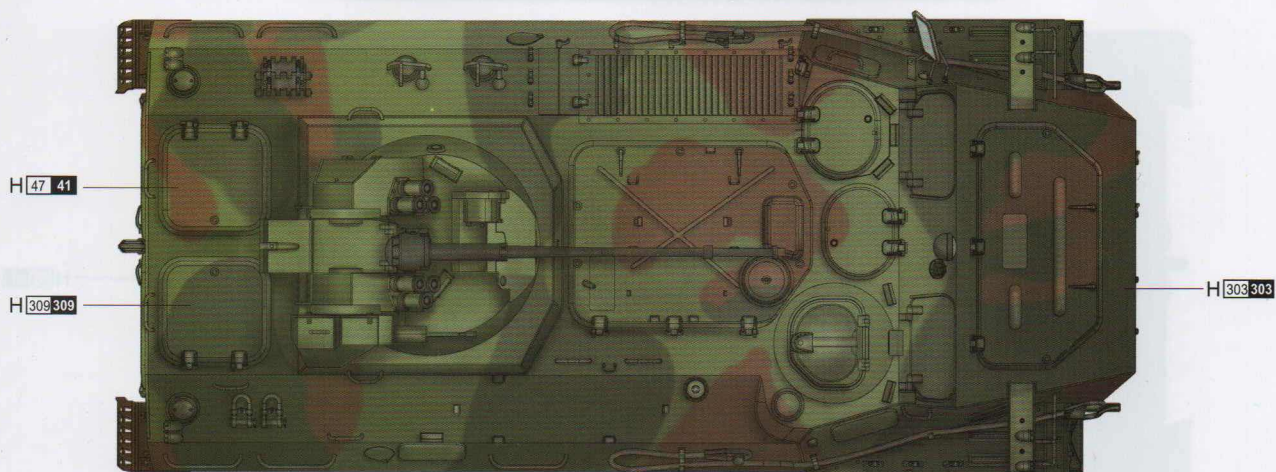
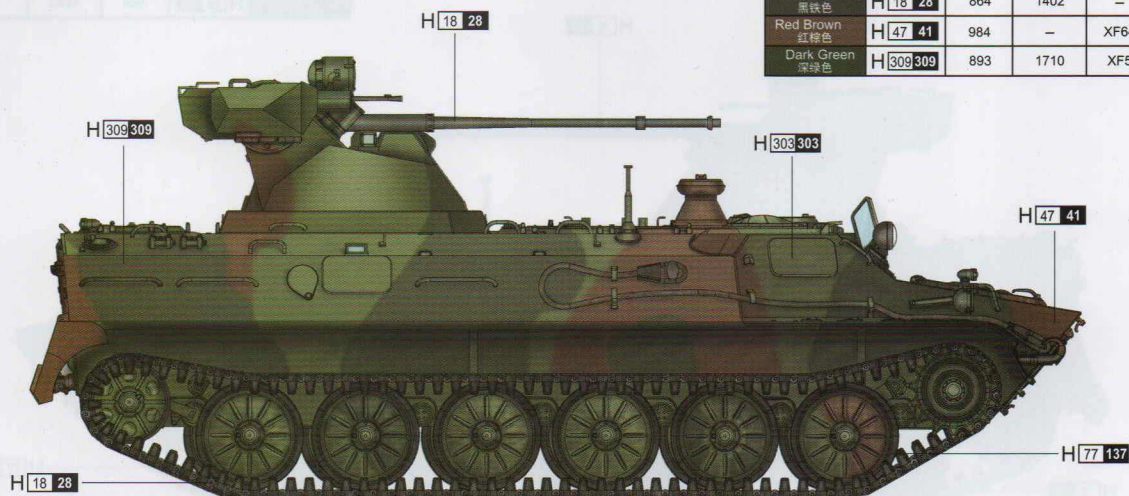
# 涂装同标贴指示

## Painting & Marking guide

### PAINT REFERENCE COLOUR

Color	Mr.Hobby	Vallejo	Model Master	Tamiya	Humbrol
Tire Black 胎黑色	H 77 137	-	-	-	-
Light Green 浅绿色	H 303 303	-	1713	XF20	117
Steel 钢灰色	H 18 28	864	1402	-	-
Red Brown 红棕色	H 47 41	984	-	XF64	160
Dark Green 深绿色	H 309 309	893	1710	XF58	116

**A**



H  AQUEOUS HOBBY COLOR     Mr. COLOR

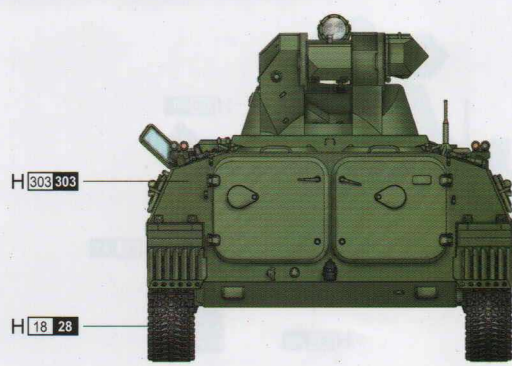
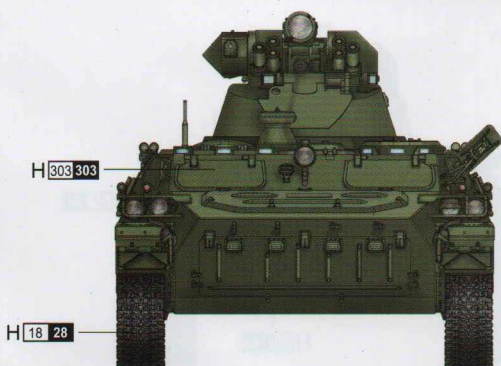
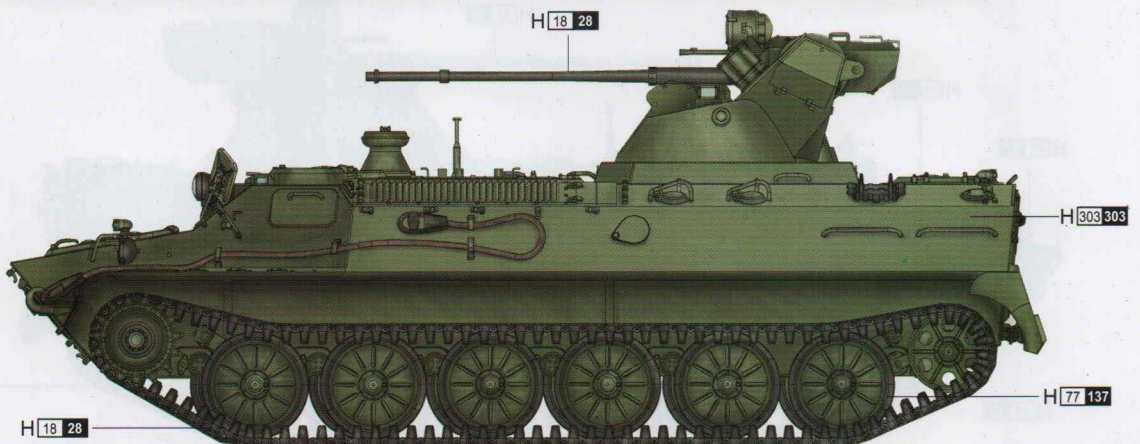
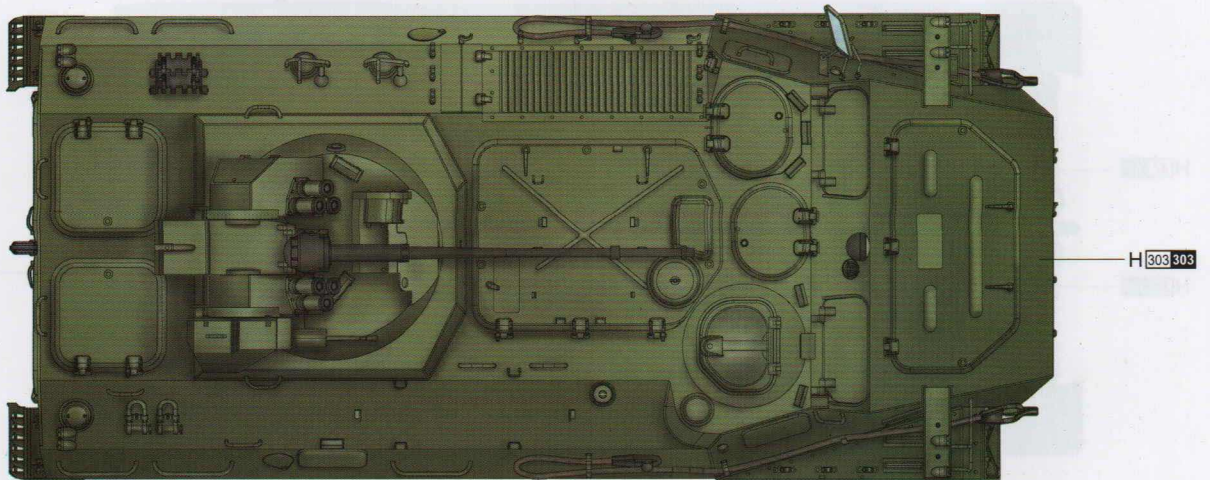
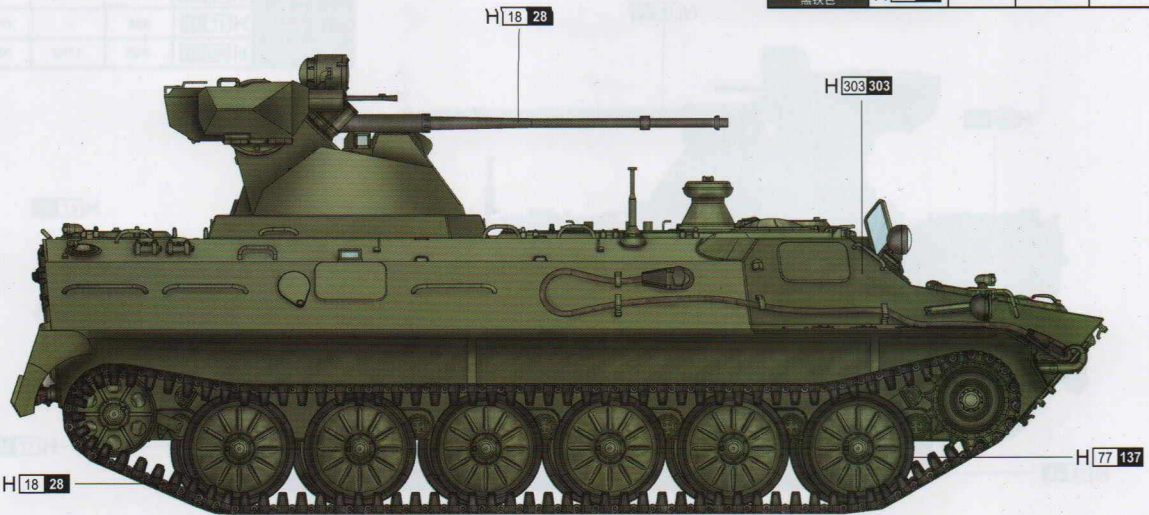
# 涂装同标贴指示

## Painting & Marking guide

### PAINT REFERENCE COLOUR

Color	Mr.Hobby	Vallejo	Model Master	Tamiya	Humbrol
Tire Black 胎黑色	H 77 137	-	-	-	-
Light Green 绿色	H 303 303	-	1713	XF20	117
Steel 黑铁色	H 18 28	864	1402	-	-

**B**



H  AQUEOUS HOBBY COLOR     Mr. COLOR