

US M901 Launching Station w/MIM-104F Patriot SAM System (PAC-3)

美国MIM-104F爱国者导弹系统(PAC-3)

READ BEFORE ASSEMBLY:

- Study and understand these instructions thoroughly before beginning assembly
- When needed, remove photo-etch parts carefully using a modeling knife or photo etch sprue cutter, being careful not to damage or lose small parts.
- Take extra care in handling photo etch parts in order to avoid injury
- Apply instant cement sparingly to photo etch parts where instructed
- Tools recommended(not included in kit):Plastic and instant cements, sprue cutters,long nose pliers,modeling knife, small files, tweezers, pin vise & scissors. Soft cloth and sandpaper will also assist in construction
- Glue and paint are not included in the kit. Use plastic cement and hobby paints only. Color guide for purchasing paint is included in the kit.

装配之前仔细阅读

- 小心用模型锉刀锉平所有零件表面的注射浇口。
- 小心用刀片切下蚀刻片零件，不要遗失小零件。
- 用强力快干胶水粘合蚀刻片零件和金属轴。过量快干胶水使用可能导致可动零件会粘住，小心涂胶。
- 取蚀刻片时应特别注意安全，防止利边划伤手指。
- 某些零件表面需贴水上贴纸，请选择在装配的同时进行。
- 推荐模型工具(自备)：胶水，水口剪刀，长咀钳，刀片，锉刀，镊子，钳，钻，剪刀，瞬间快干胶。
- 软布同砂纸同时也应该是必备工具。
- 请使用塑料胶水和油漆，模型内不含。



配重
Weight



使用强力胶
Cyanoacrylate glue



钻孔
Make hole



切除
Cut / Remove



贴纸
Decal



锉平
File / Sand



选择
Option



不涂胶水
No cement



弯曲
Bend



先装
Install it first

水贴纸的使用:

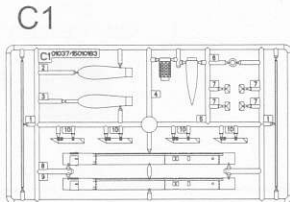
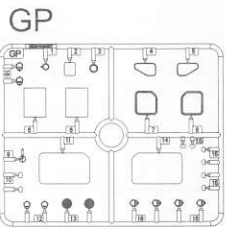
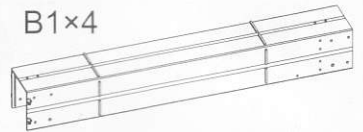
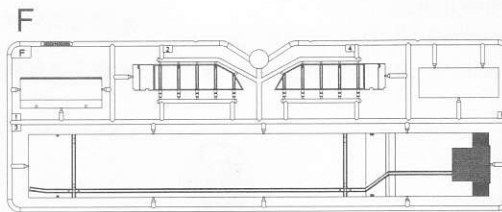
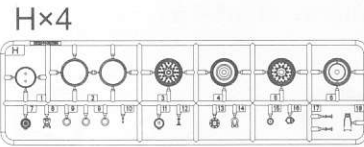
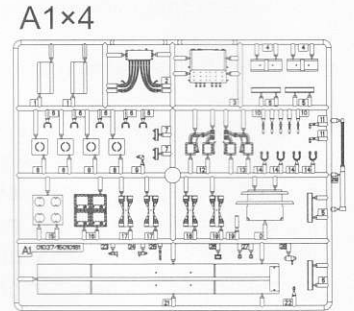
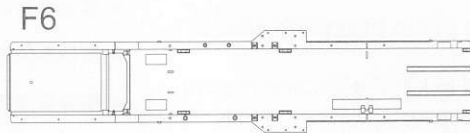
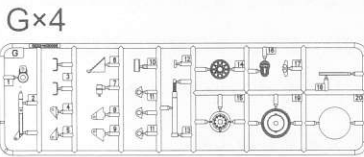
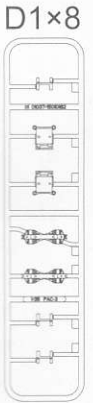
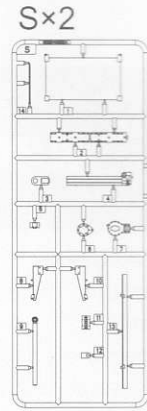
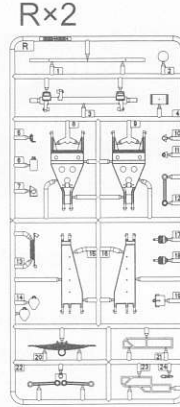
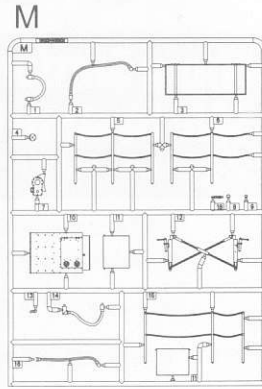
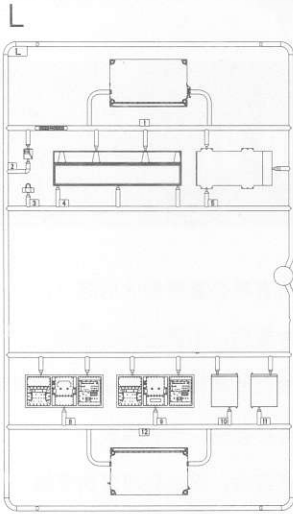
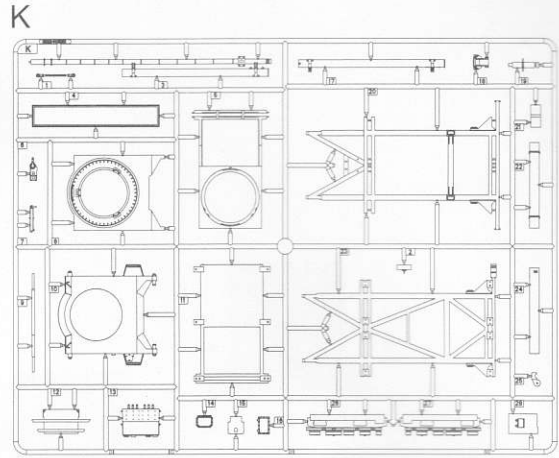
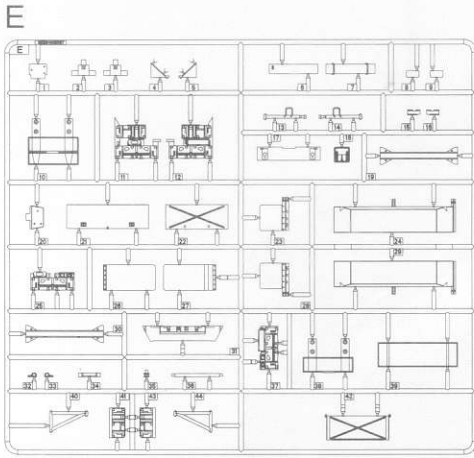
- 1.从水贴上剪下印花;
- 2.将印花放入温水中浸10秒, 然后放在干净布上。
- 3.拿着印花纸板将印花移到模型上;
- 4.手指蘸水将印花移到适当的位置;
- 5.用软布轻压印花直至水干, 气泡消失

DECAL APPLICATION

- 1.Cut decals from sheet as needed
- 2.Dip the decal in warm water for about 10 seconds and then place on soft clean cloth.
- 3.Hold the decal backing sheet edge and gently slide the decal onto the model in its proper position.

- 4.While still wet,decal can be adjusted for better fit on model by dampening it gently with your finger.
- 5.When placed in the proper position,gently press decal down with a soft cloth until excess water and air bubbles are gone.
- 6.Allow decal to dry completely before handling model

部品图 Parts



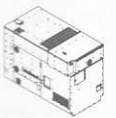
《软管》 $\varnothing 1.2 \times 1000\text{mm}$
Vinyl tubing



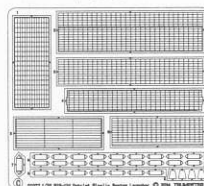
《软管》 $\varnothing 0.5 \times 2000\text{mm}$
Vinyl tubing



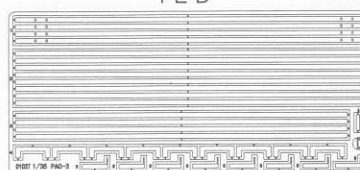
M17



《蚀刻片-C》
PE-C



《蚀刻片-D》
PE-D



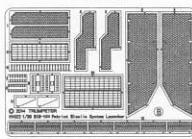
《水贴》
Decal



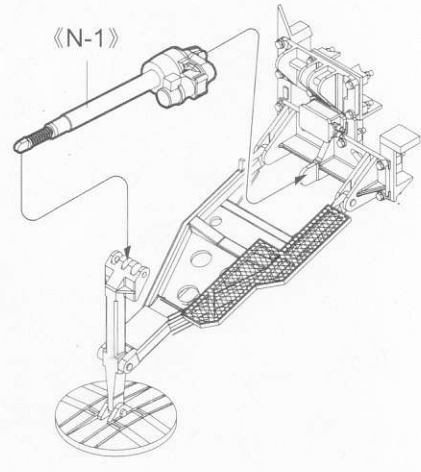
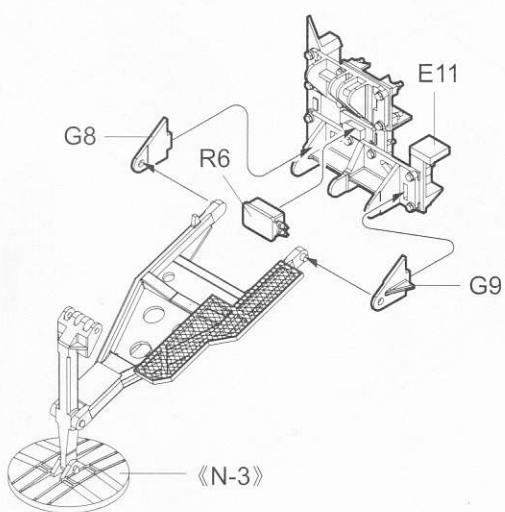
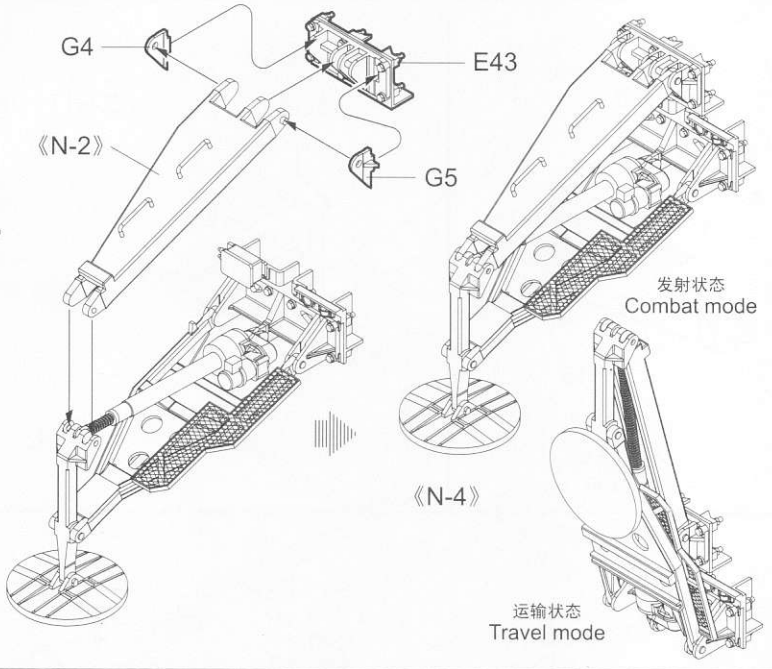
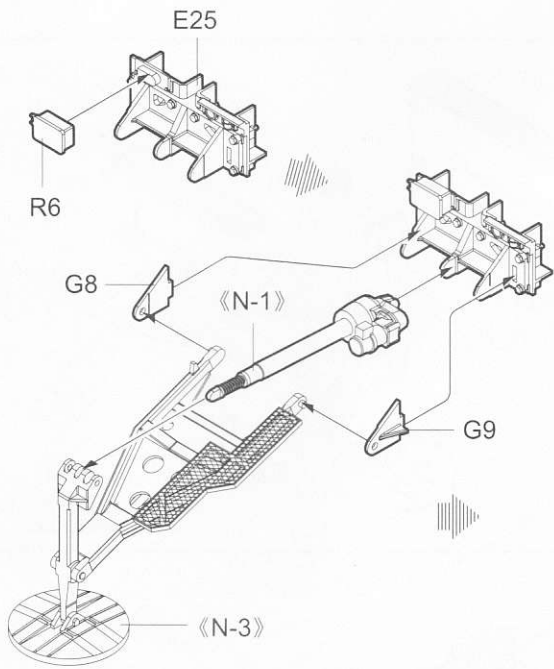
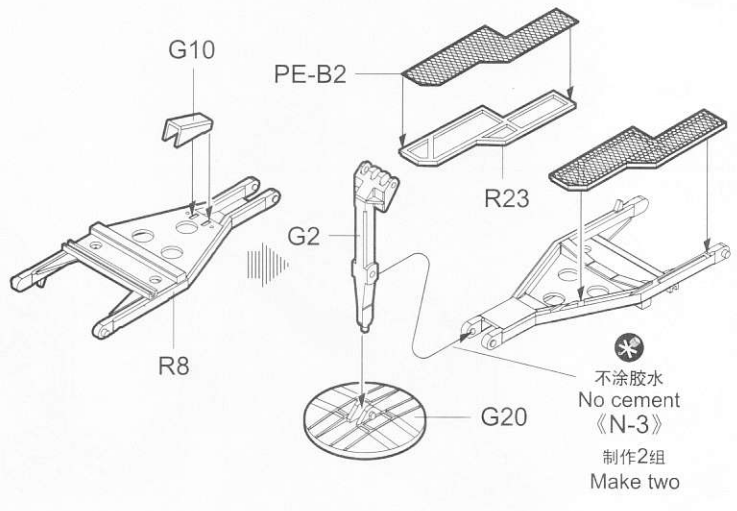
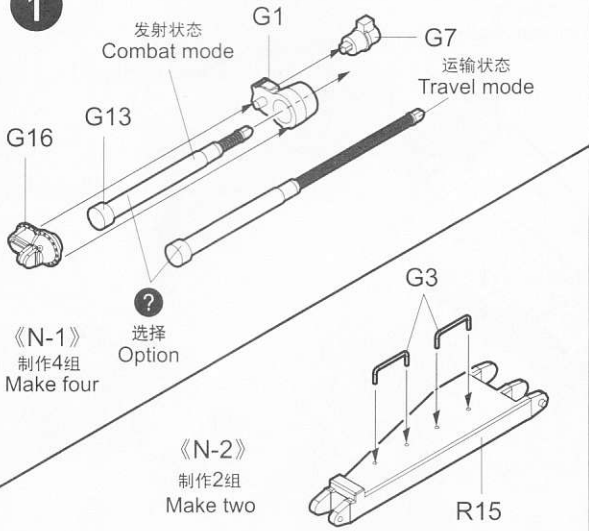
《轮胎 II》
Tyre II $\times 4$



《蚀刻片-B》
PE-B



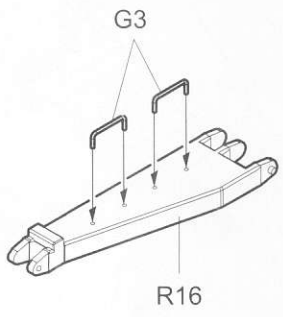
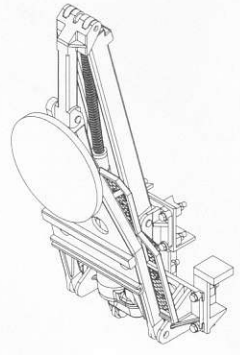
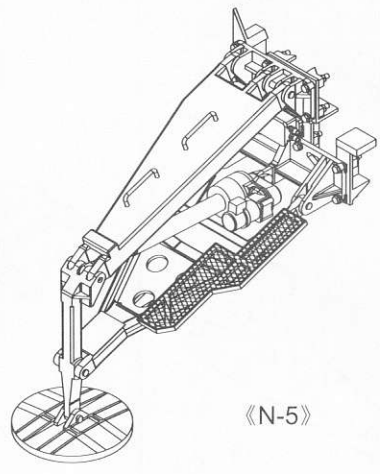
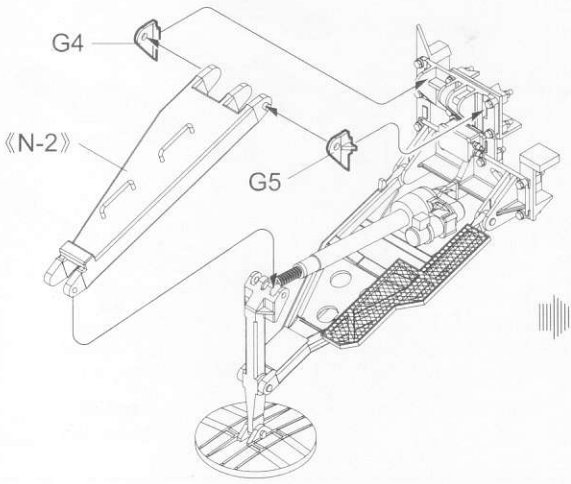
1



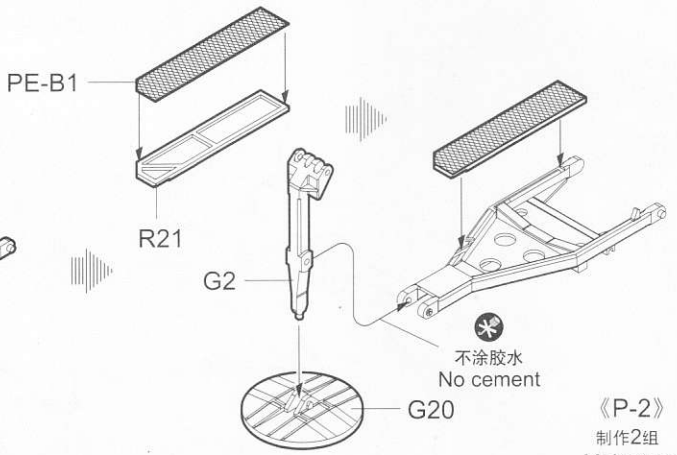
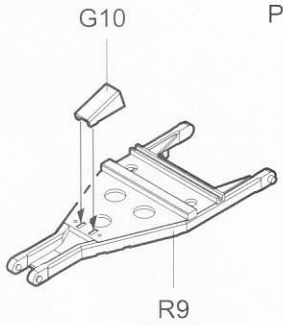
2

发射状态
Combat mode

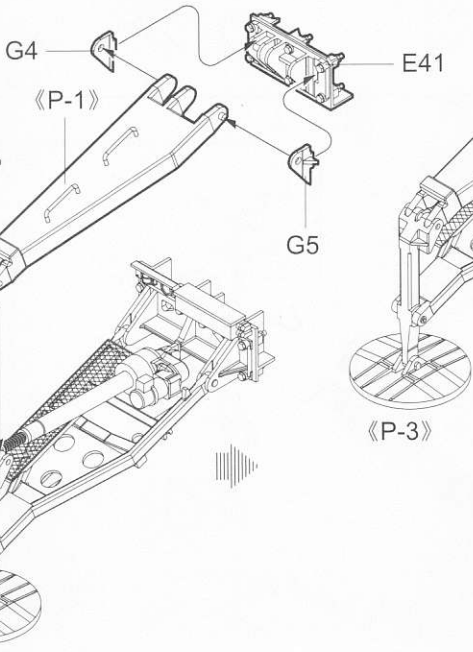
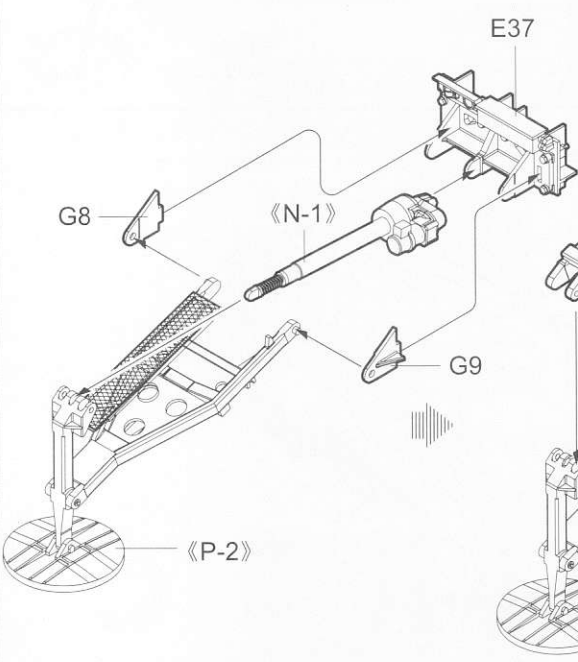
运输状态
Travel mode



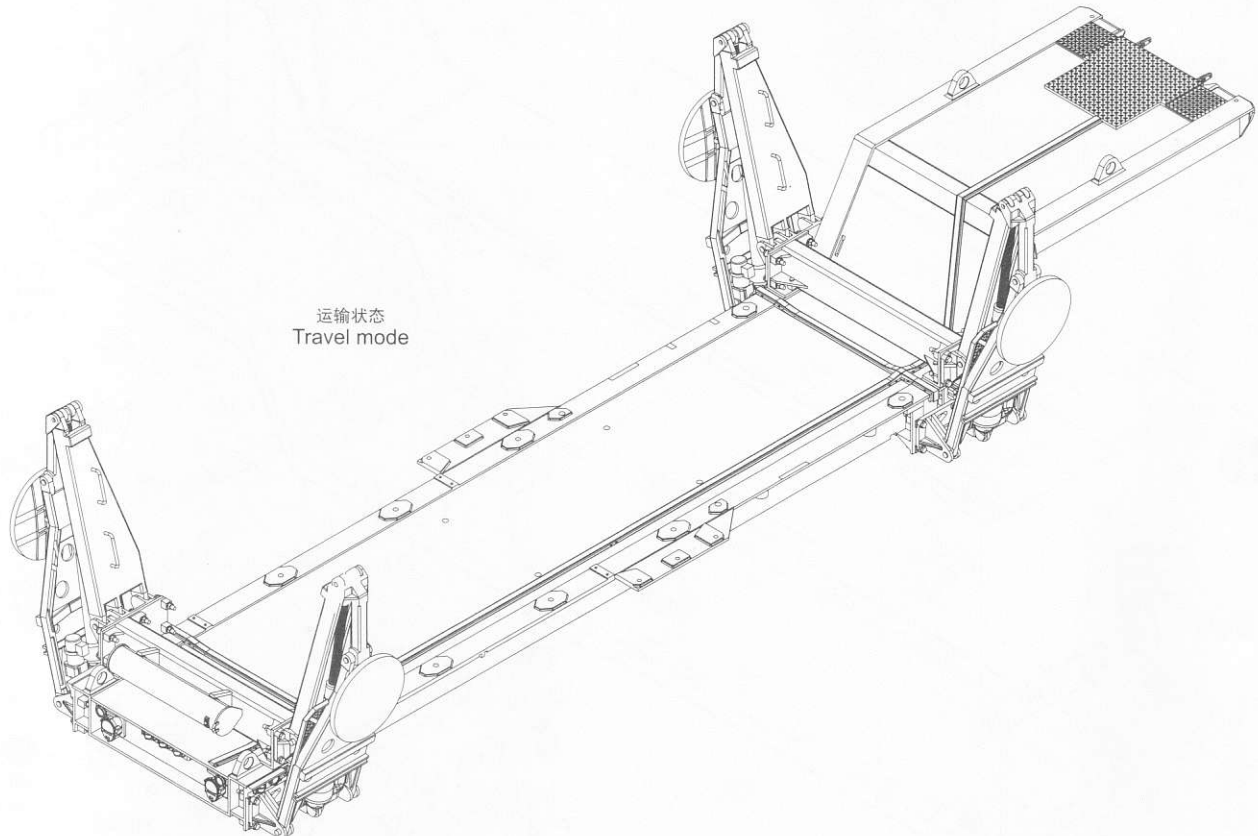
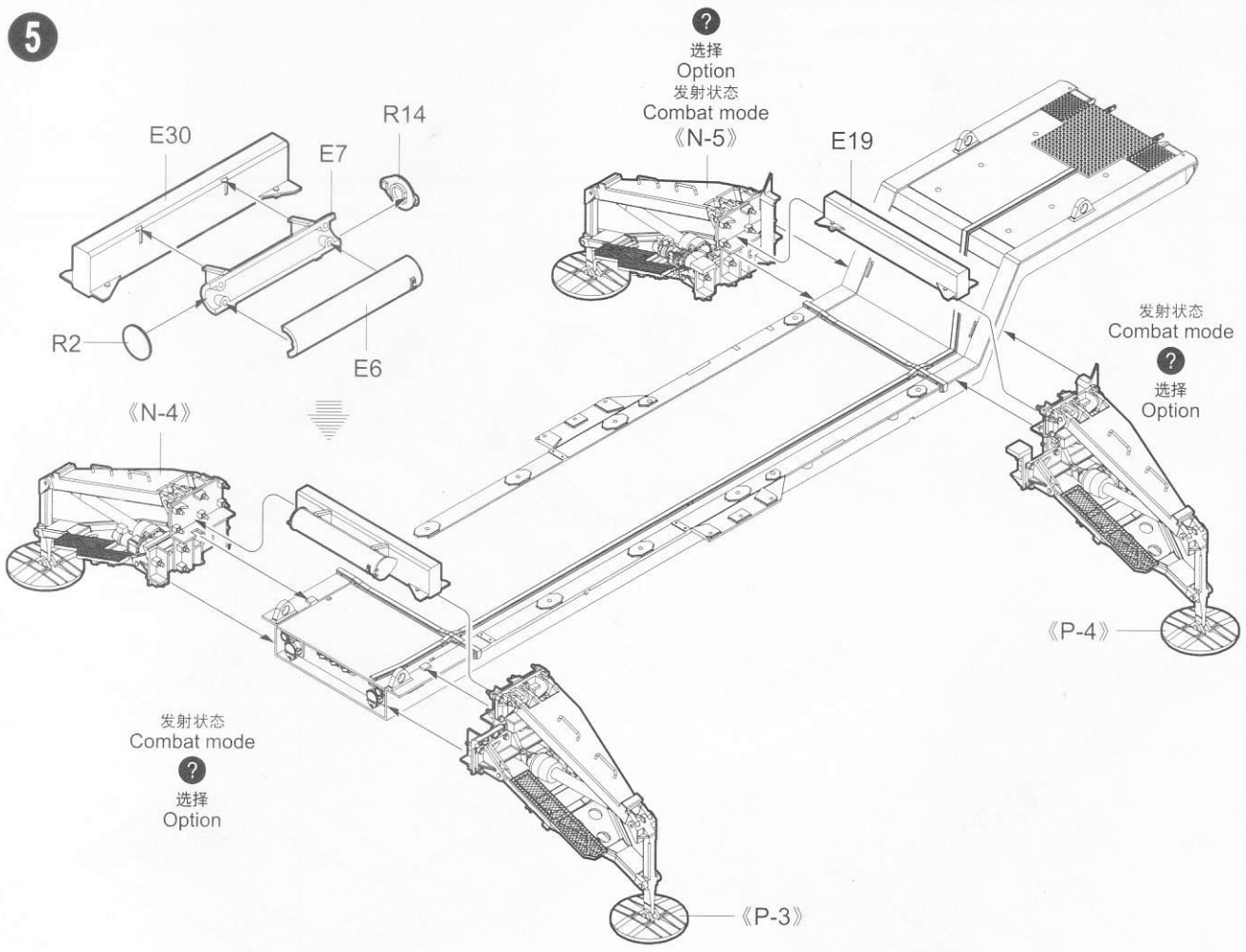
《P-1》
制作2组
Make two



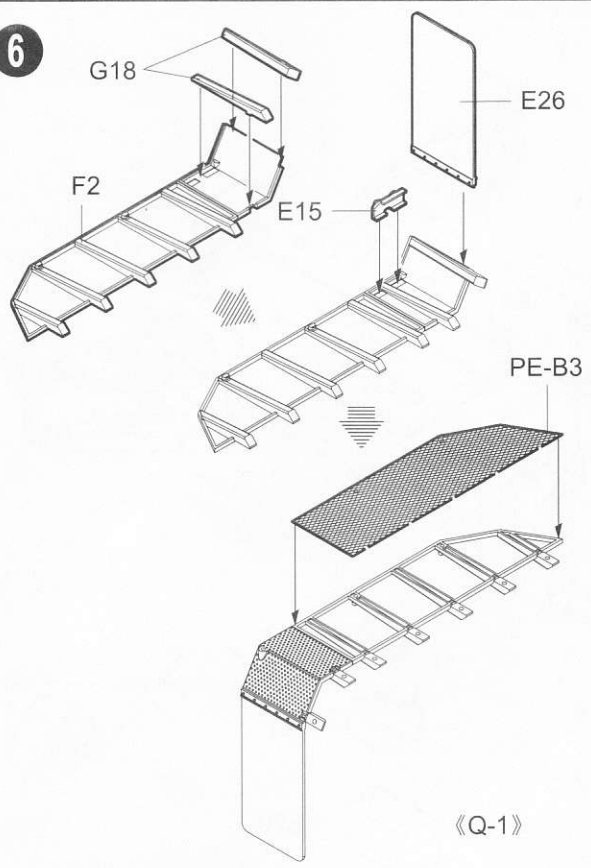
《P-2》
制作2组
Make two



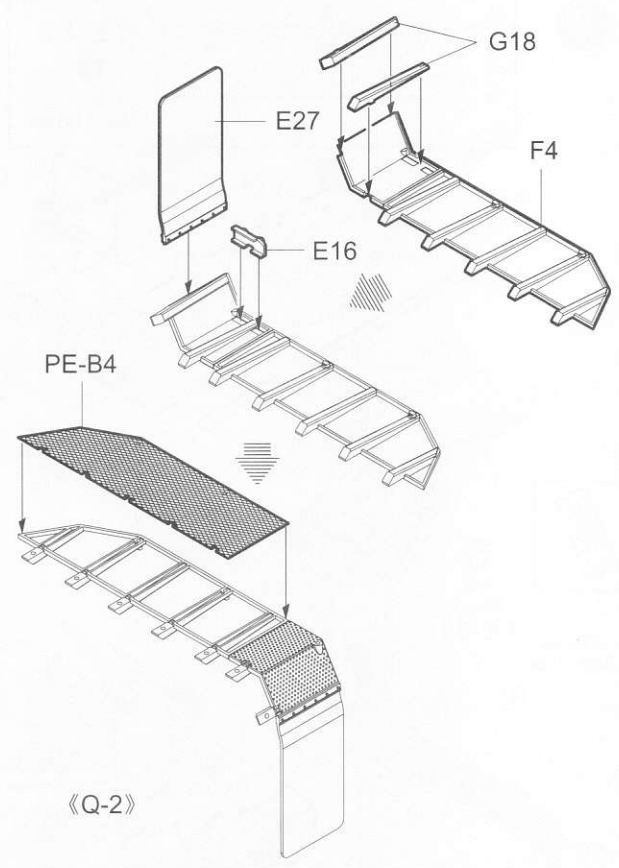
5



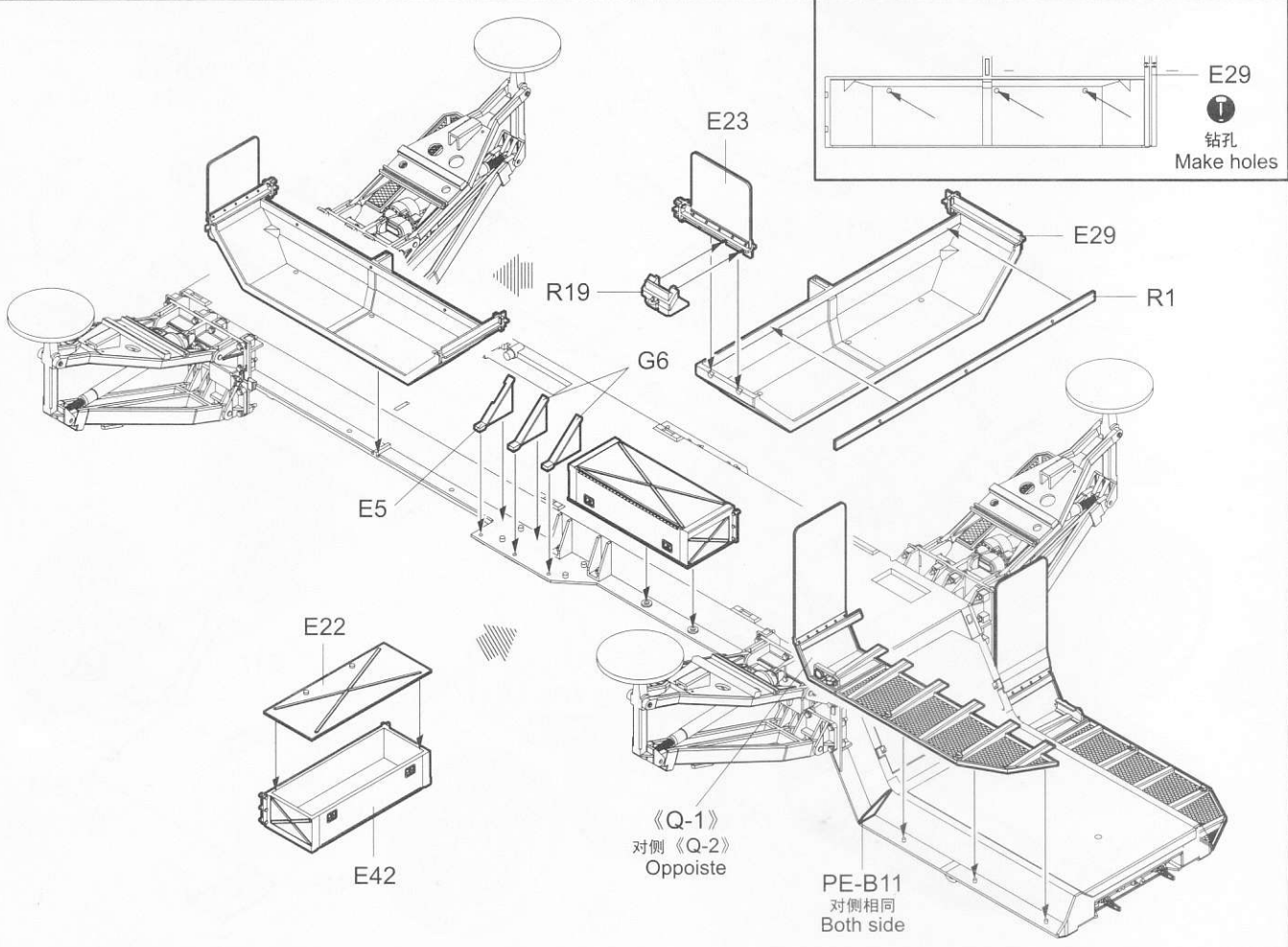
6



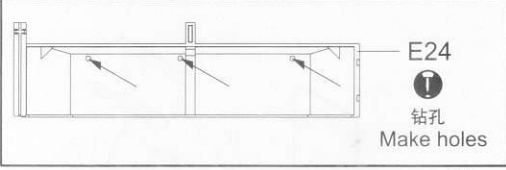
《Q-1》



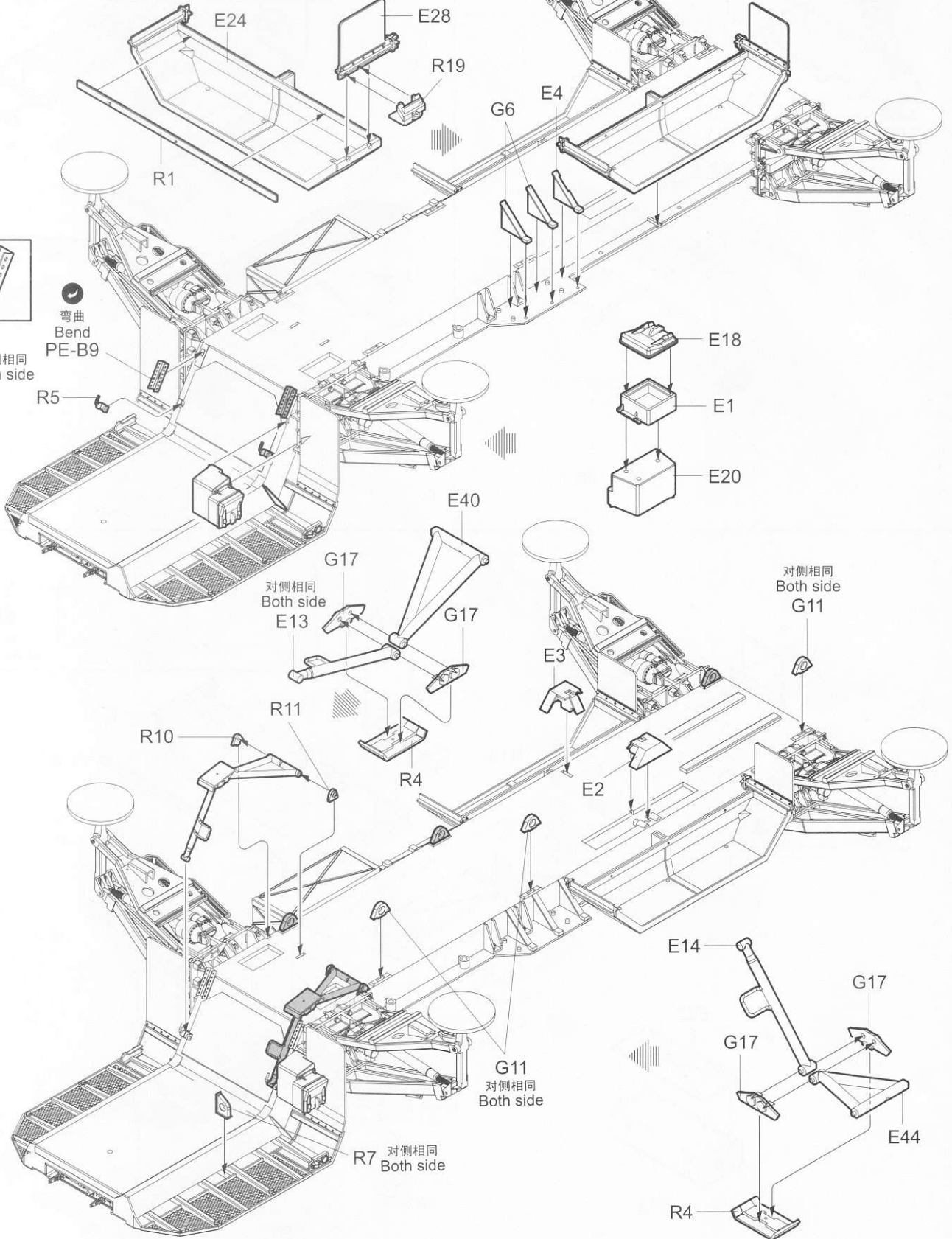
《Q-2》

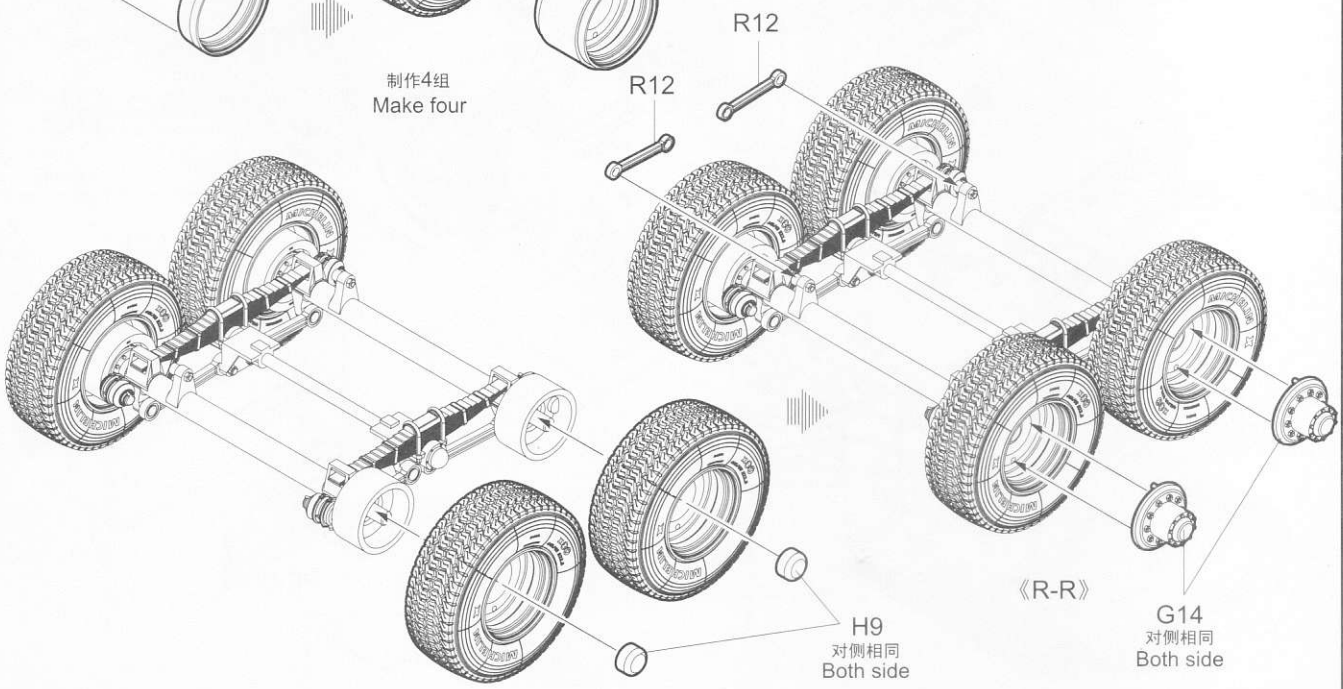
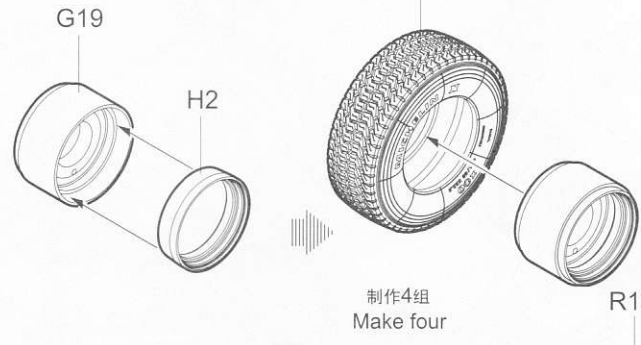
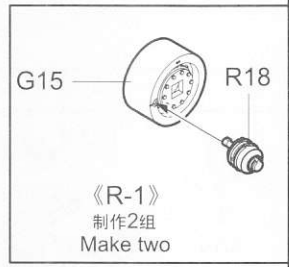
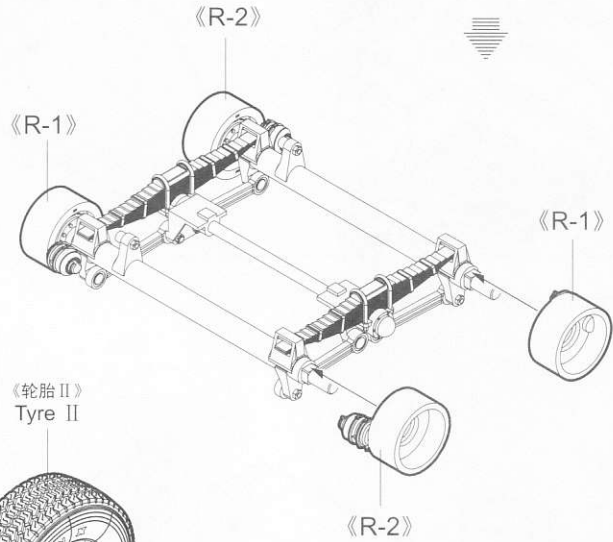
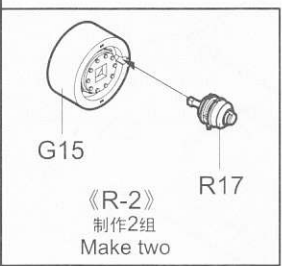
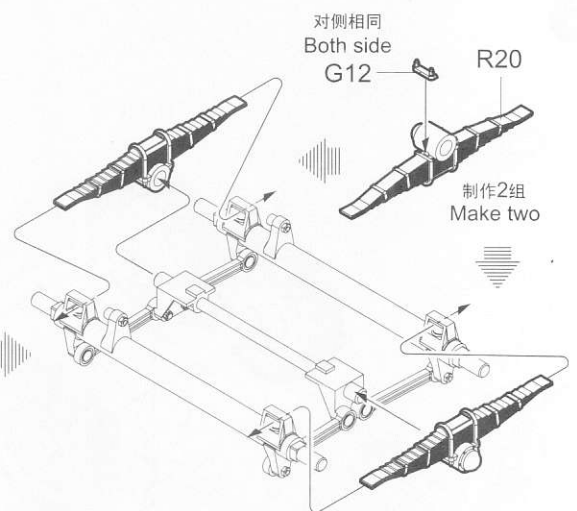
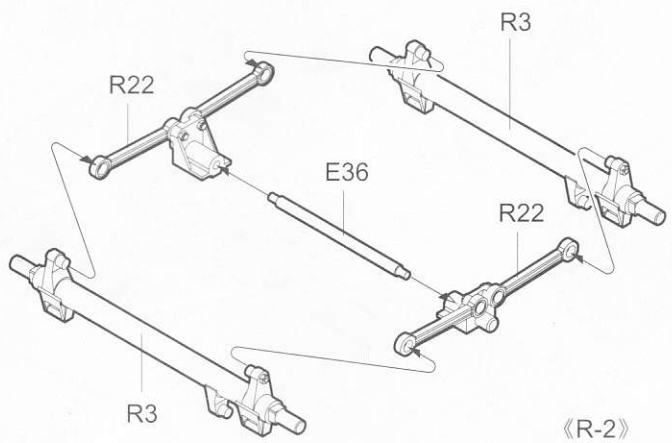


7

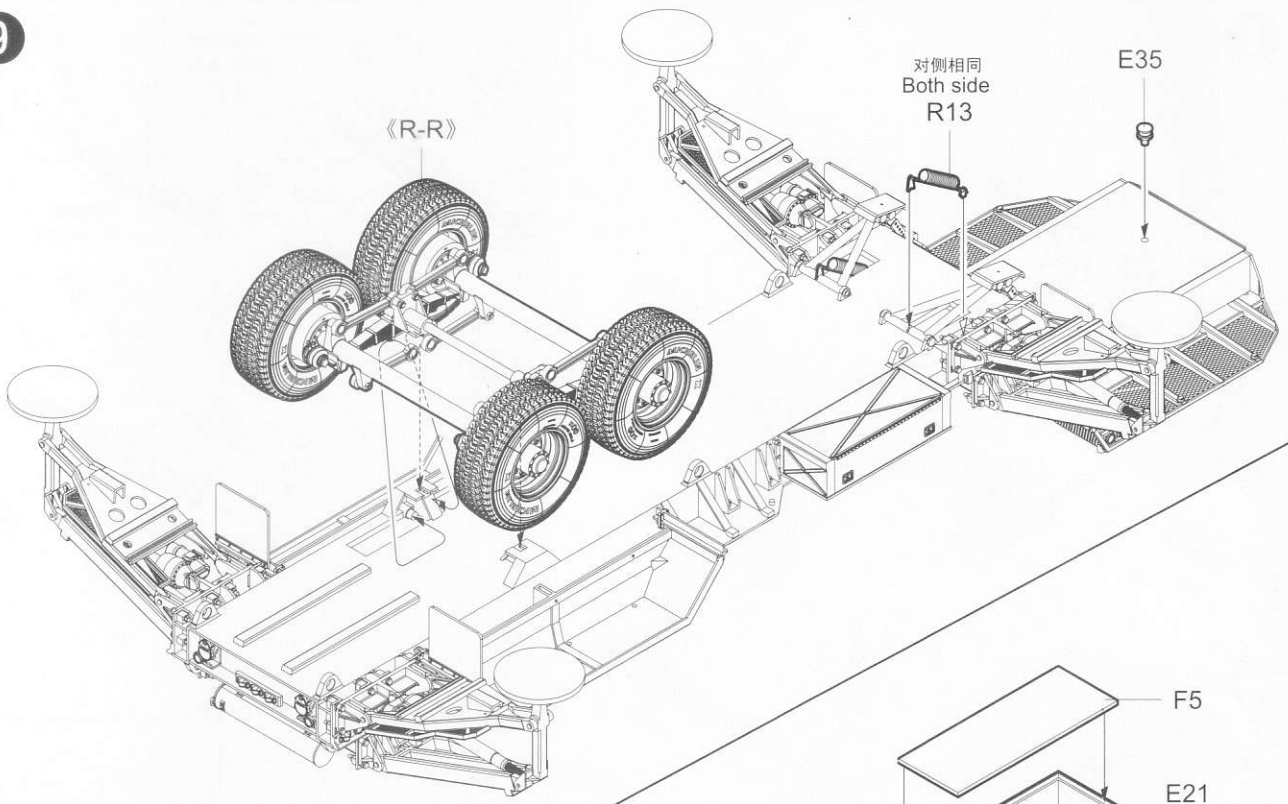


对侧相同
Both side

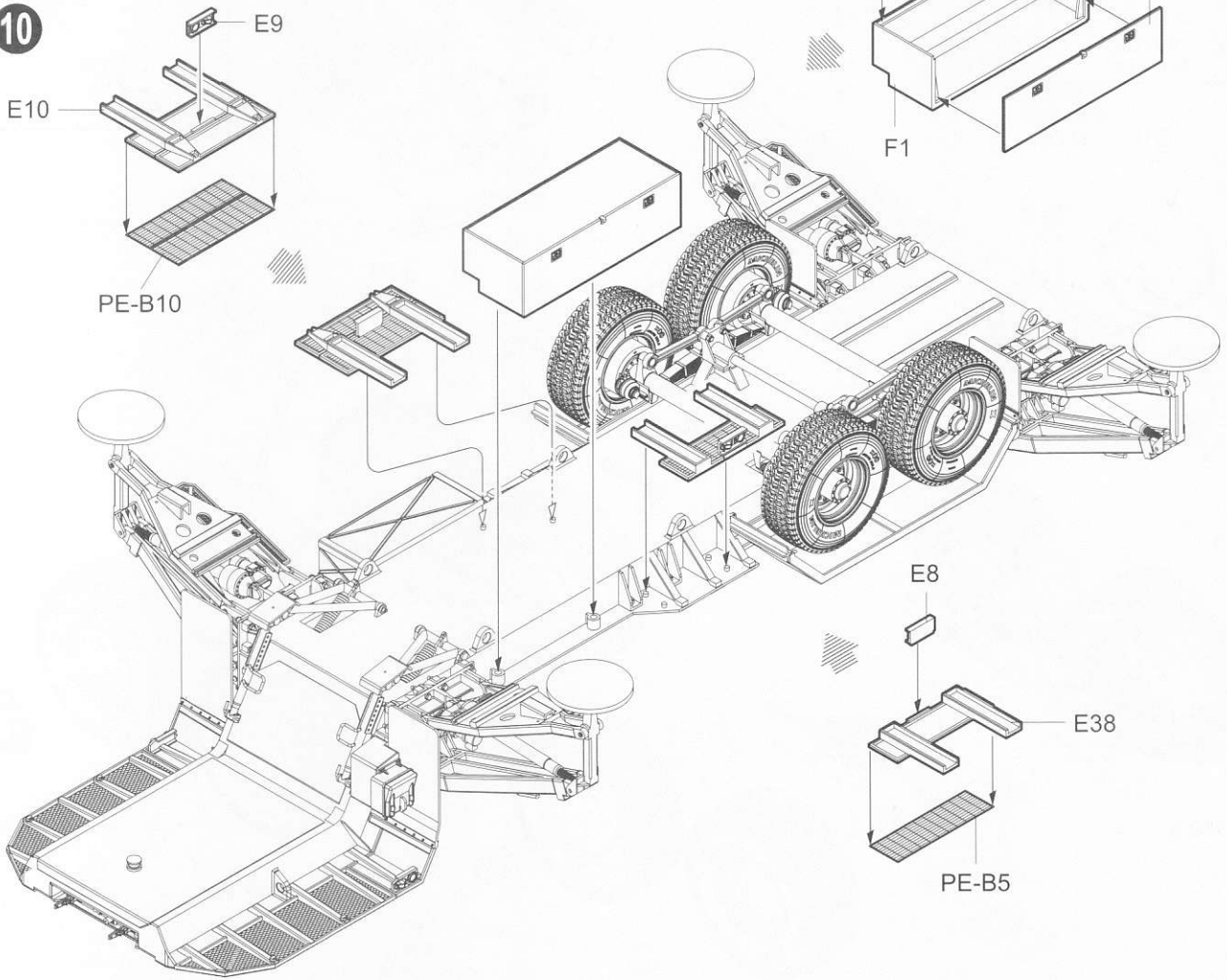




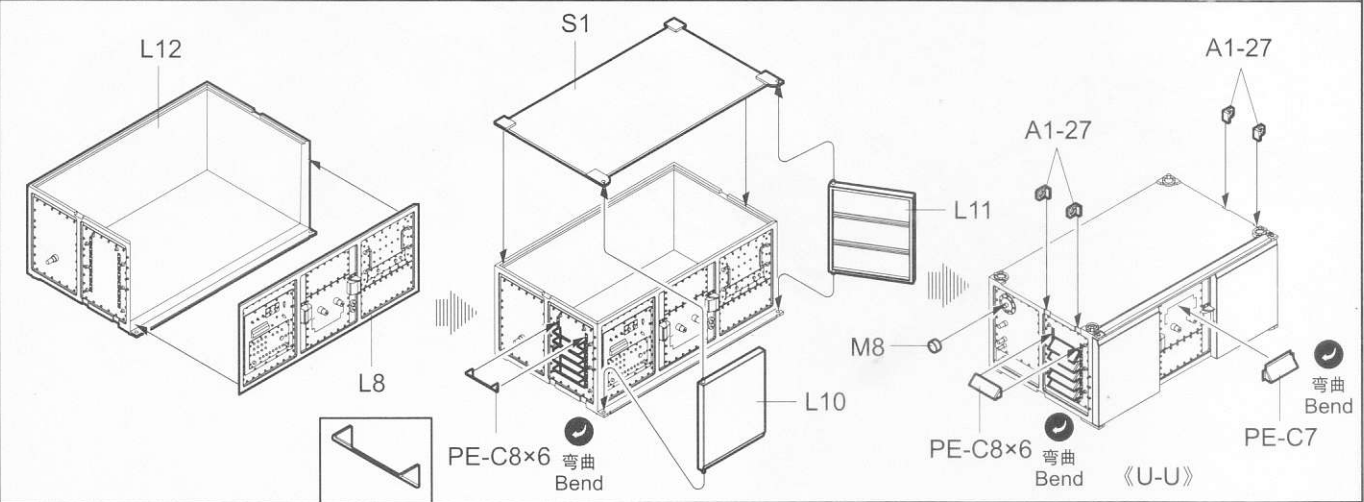
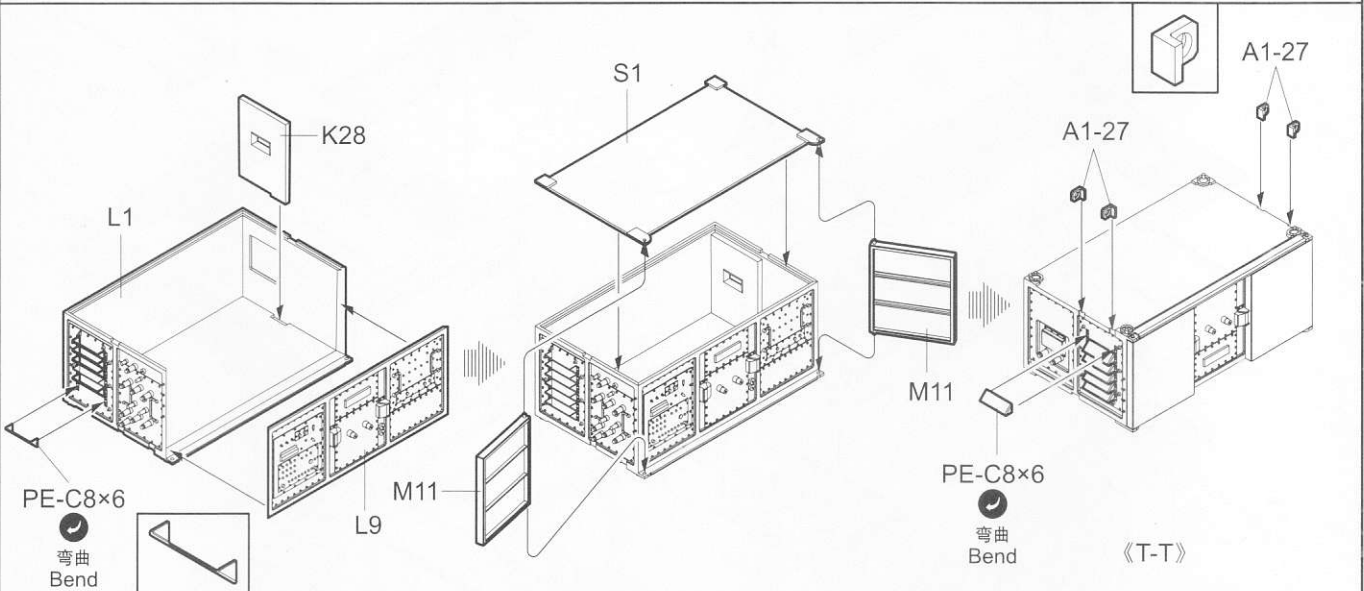
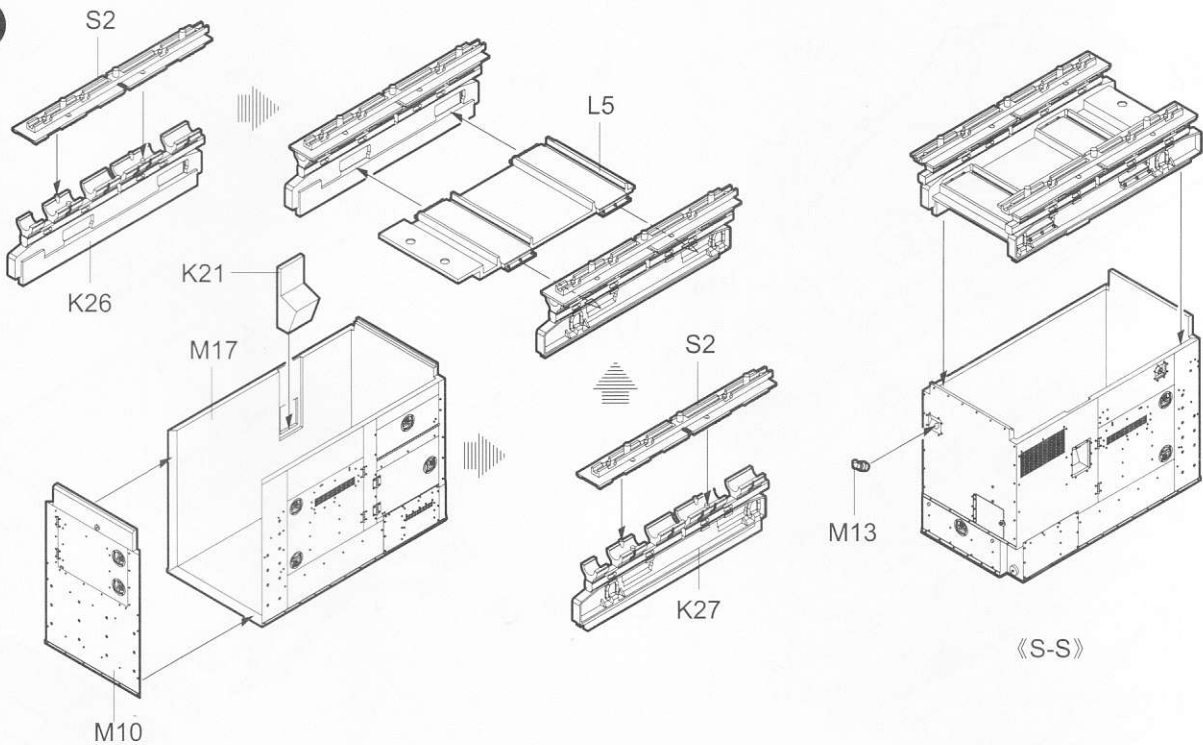
9



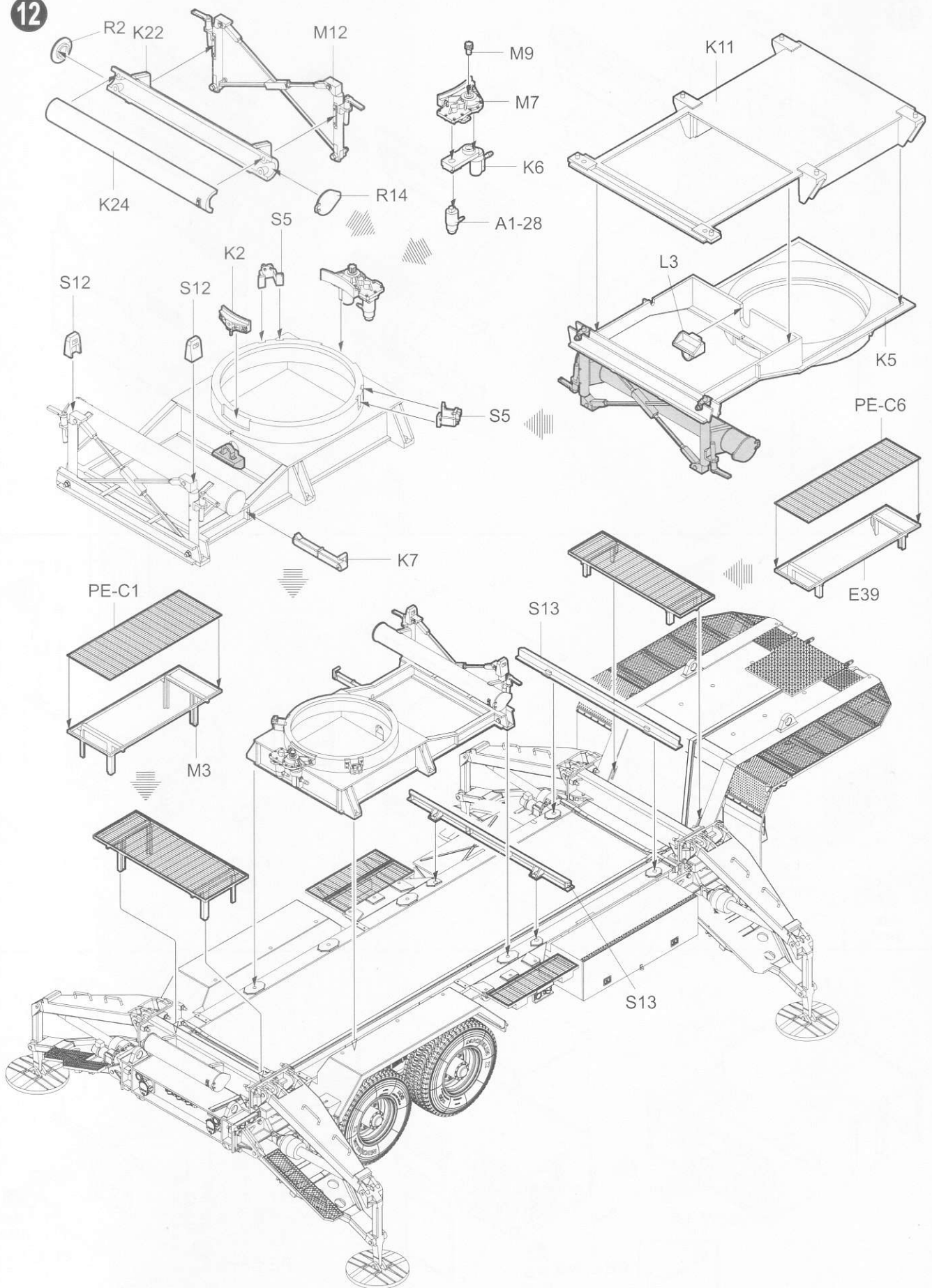
10

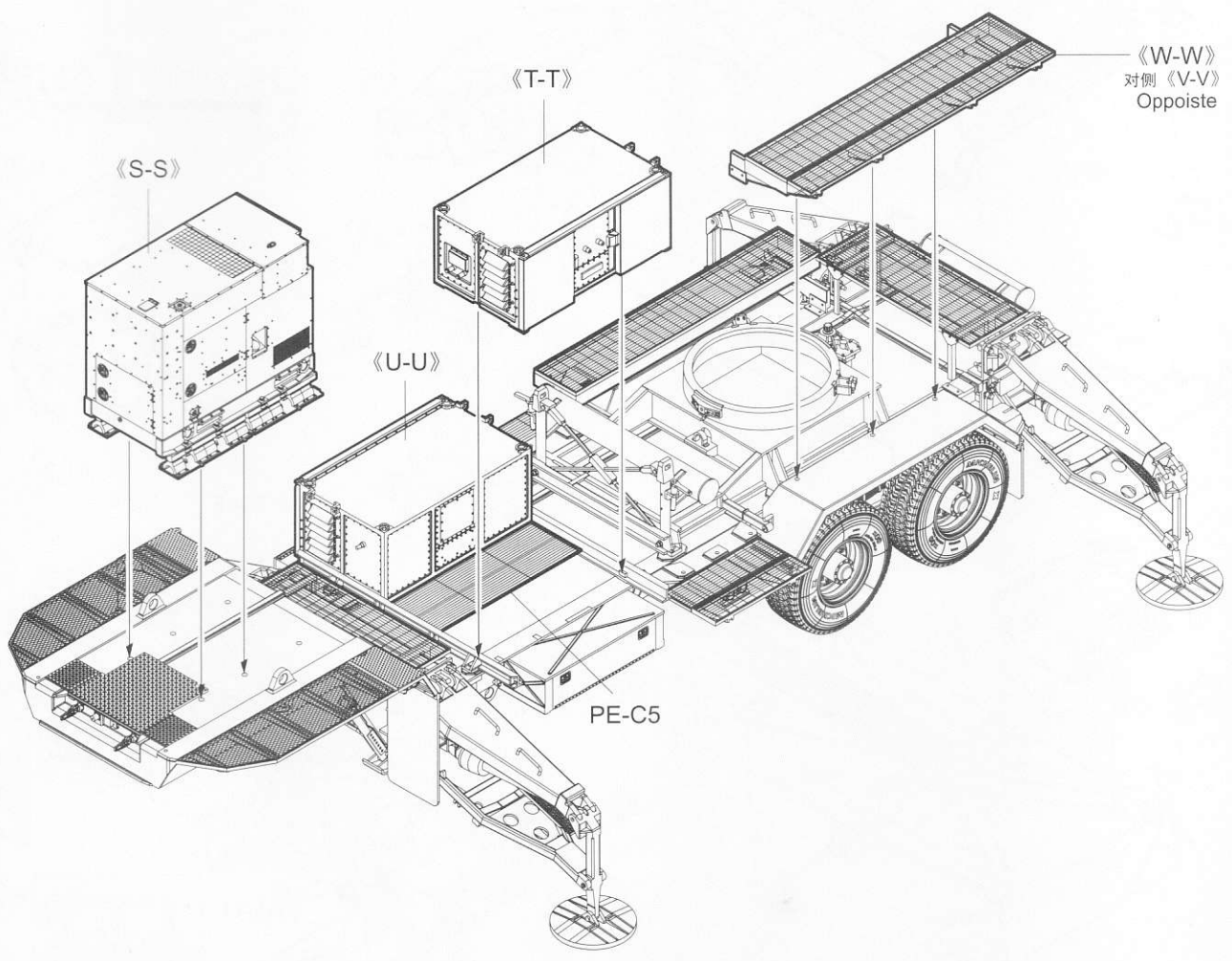
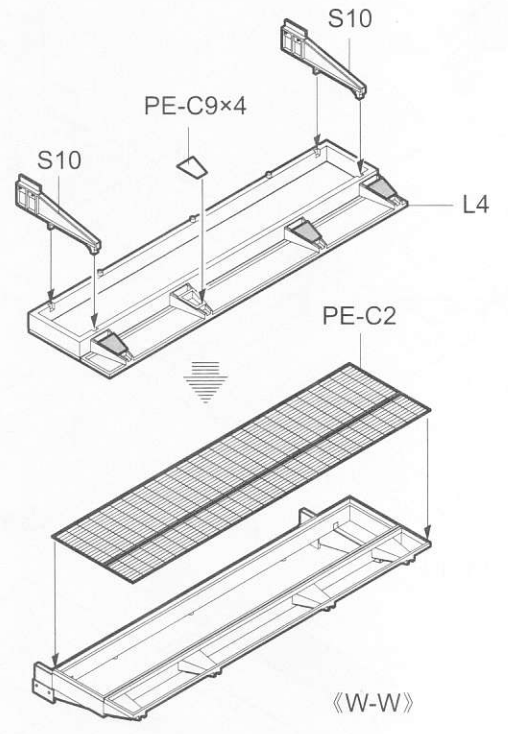
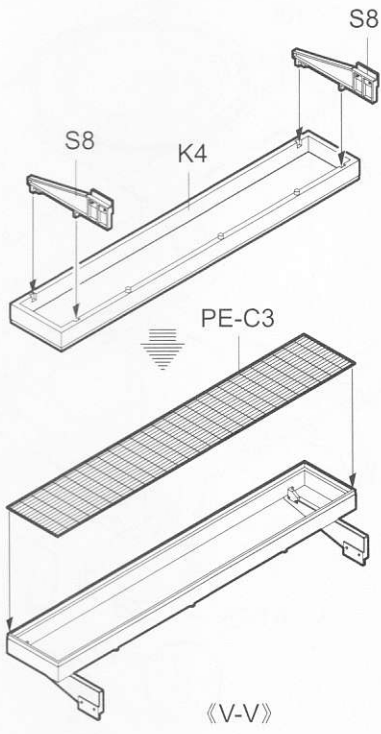


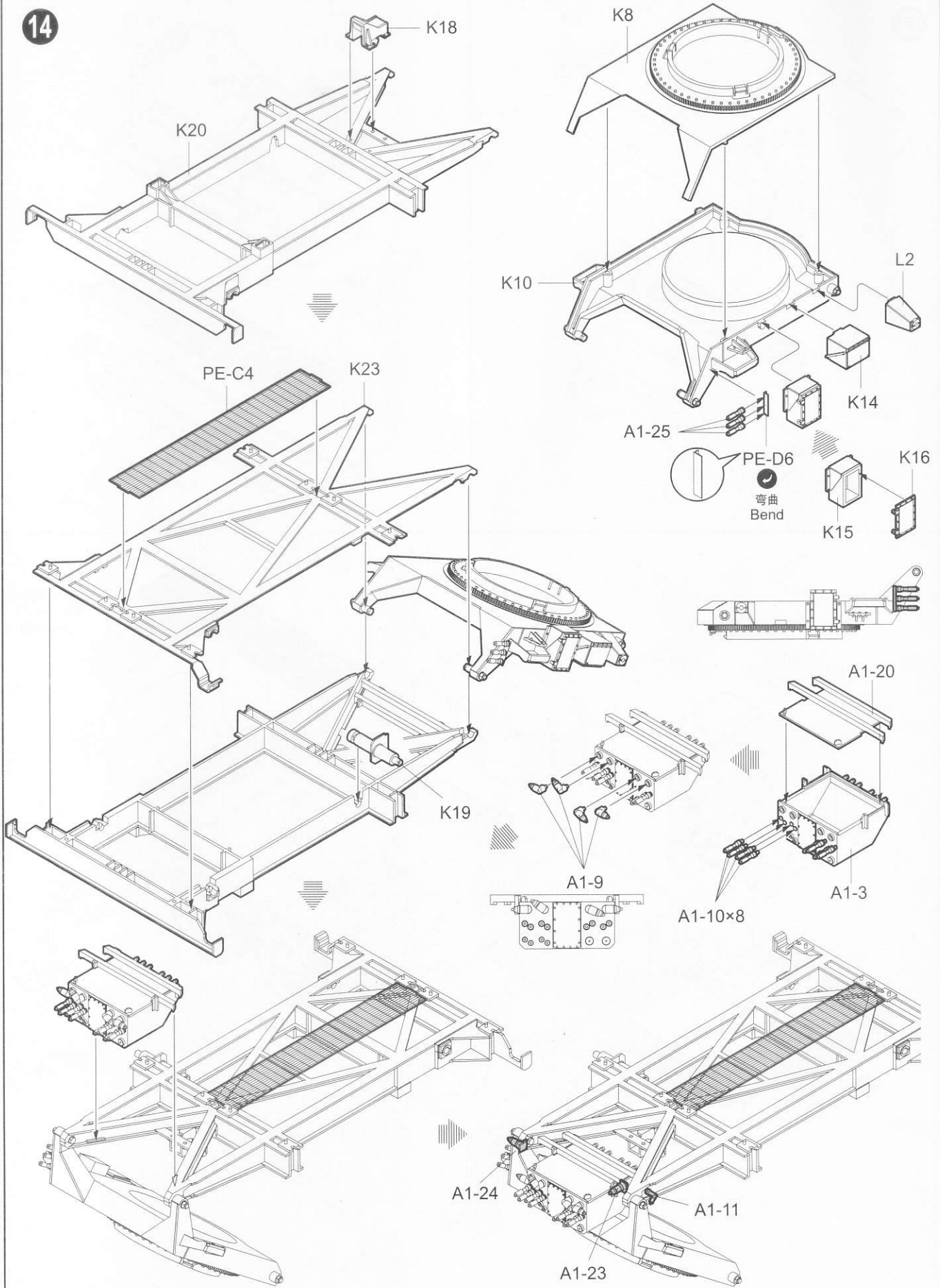
11

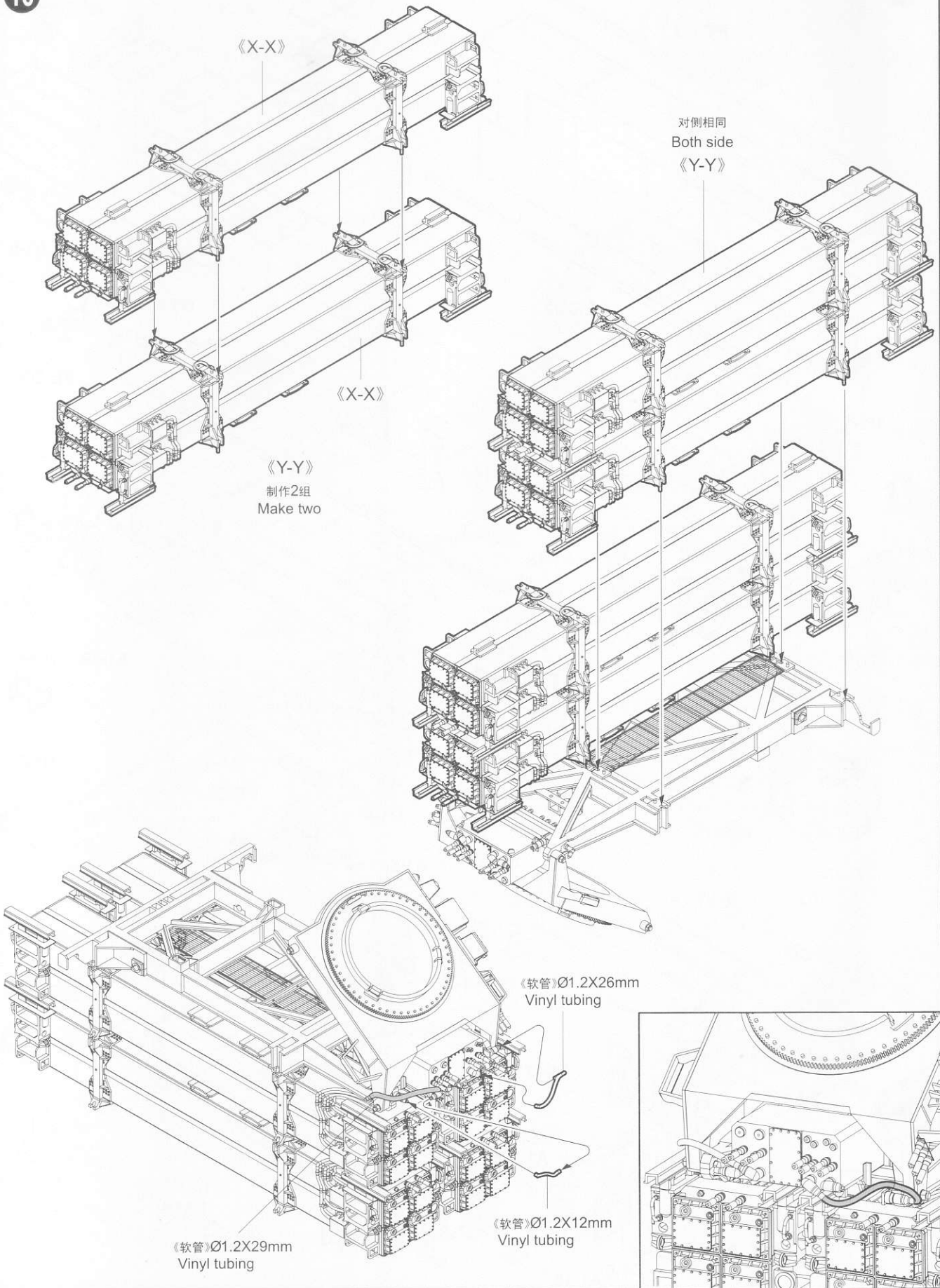


12

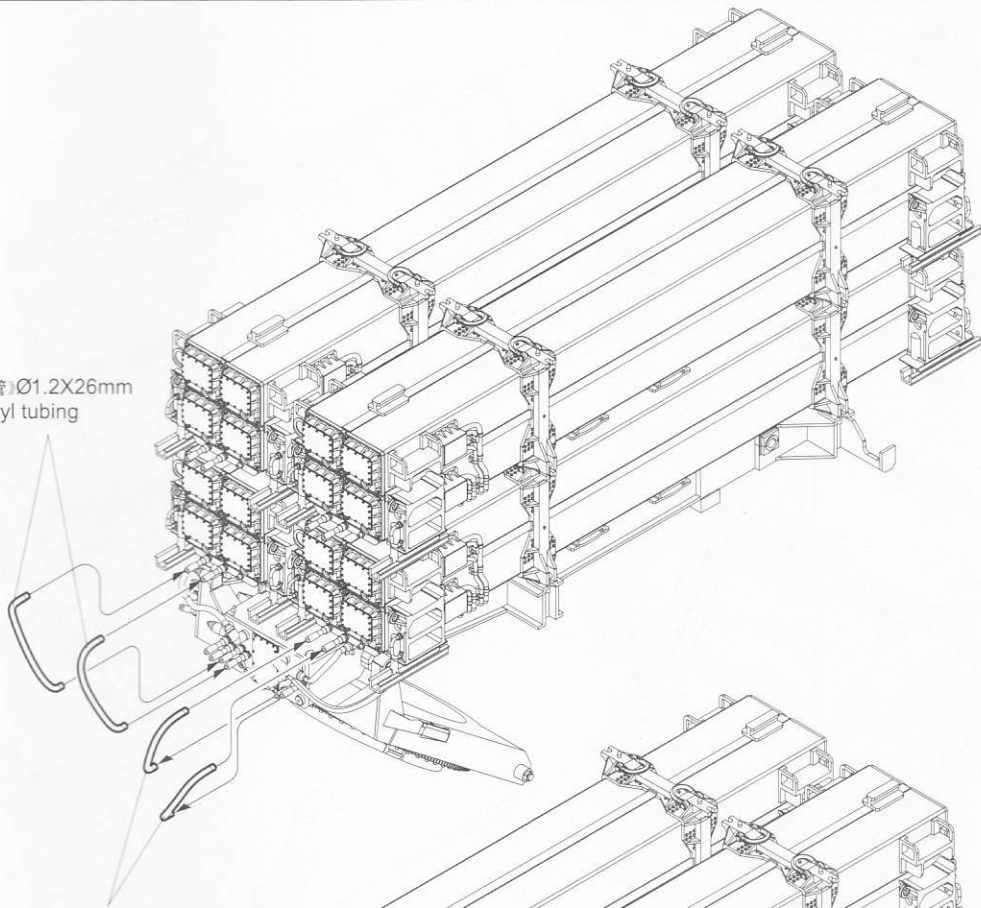




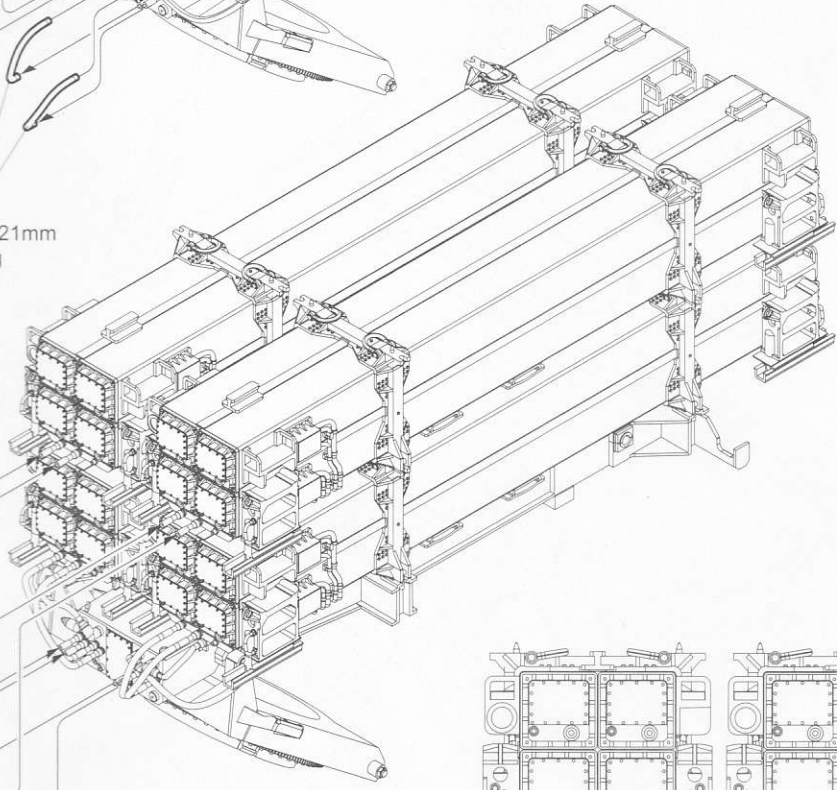




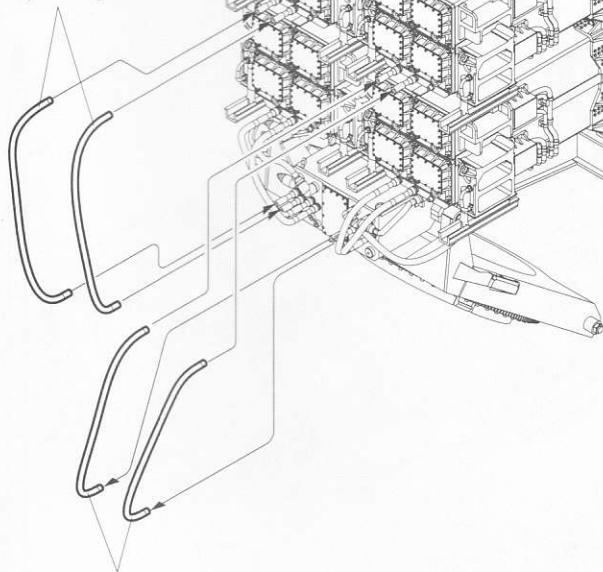
《软管》Ø1.2X26mm
Vinyl tubing



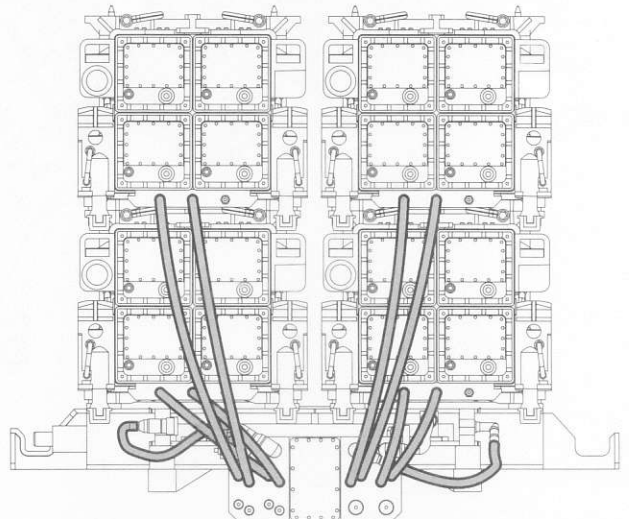
《软管》Ø1.2X21mm
Vinyl tubing



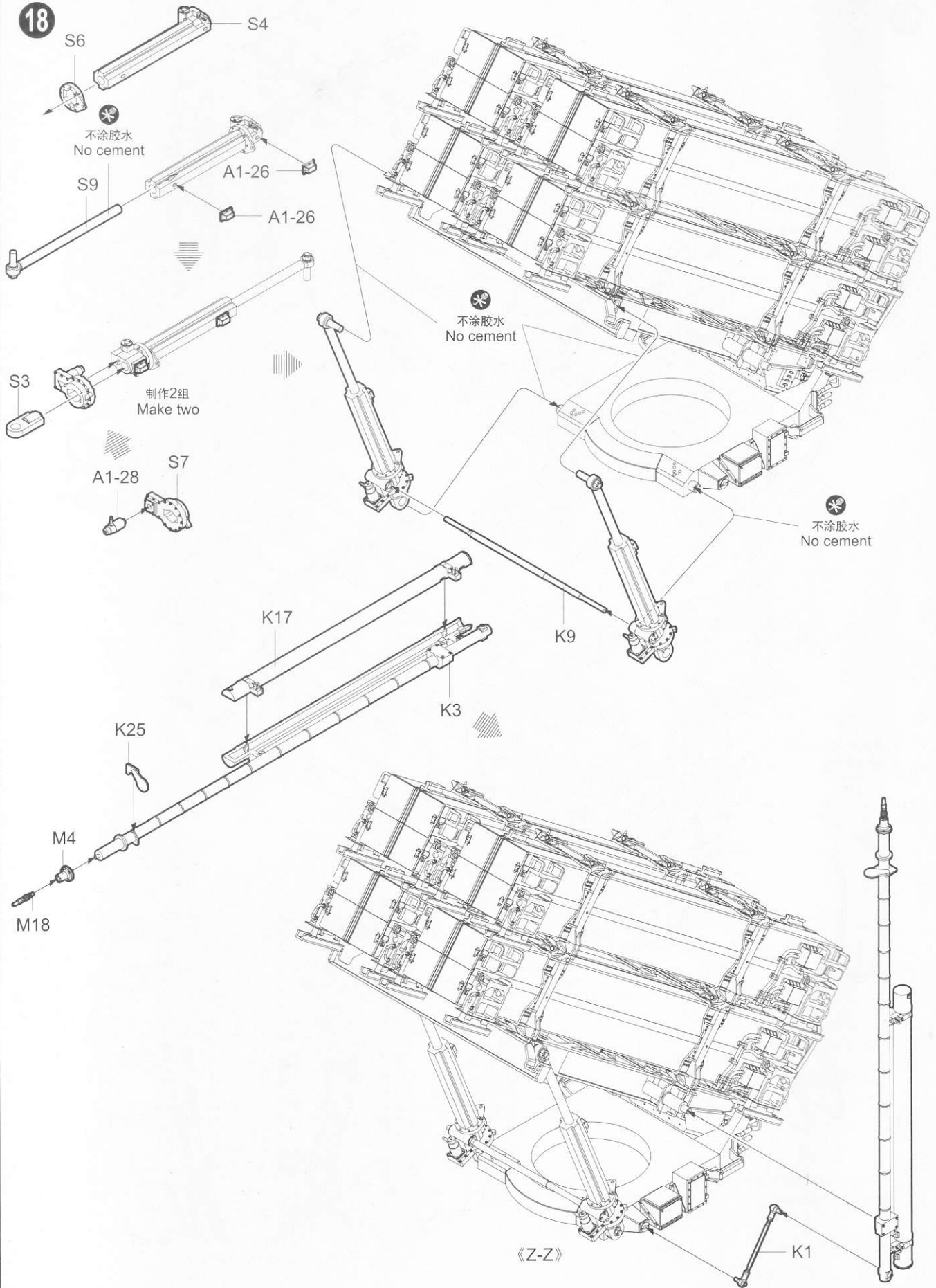
《软管》Ø1.2X51mm
Vinyl tubing

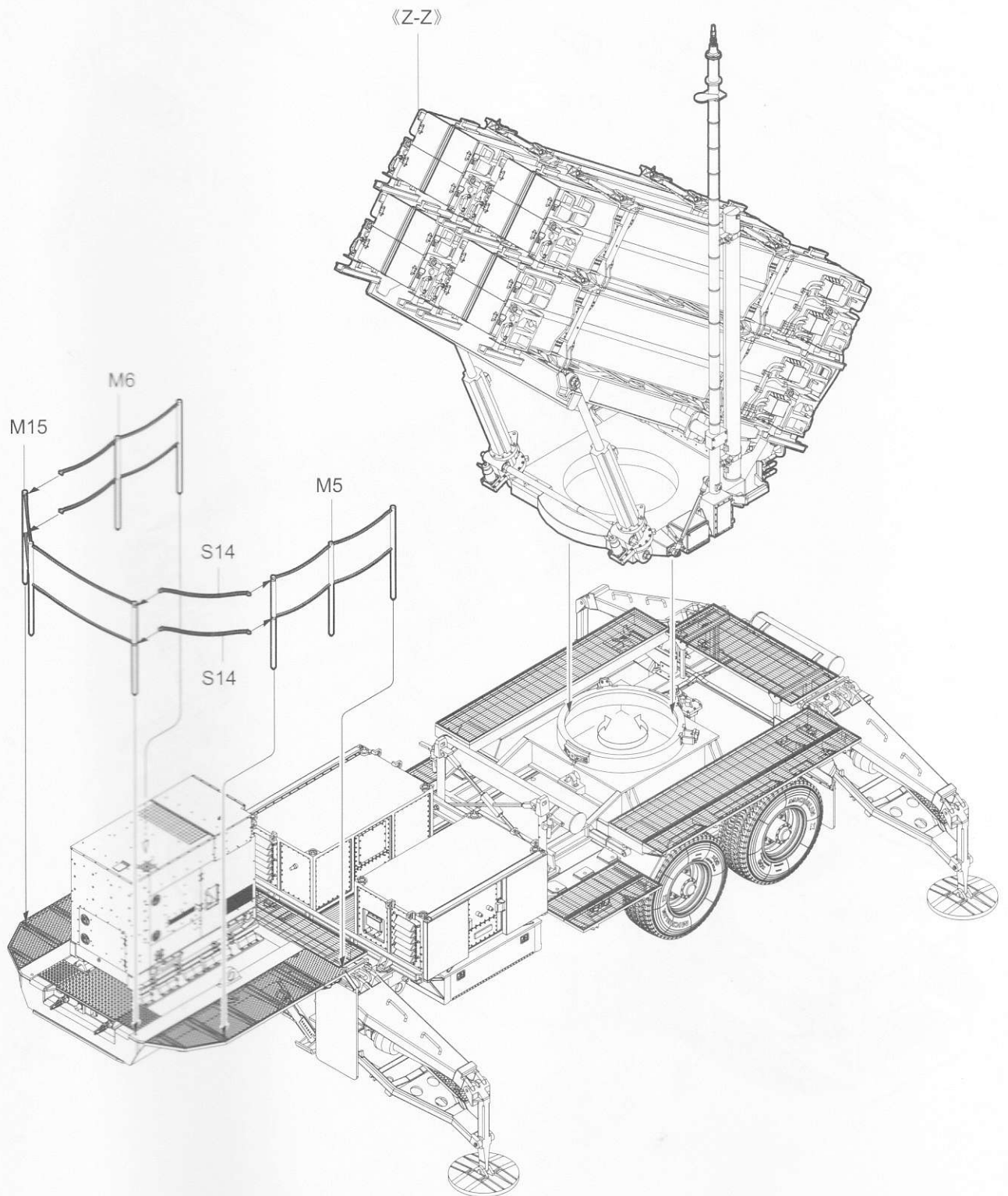


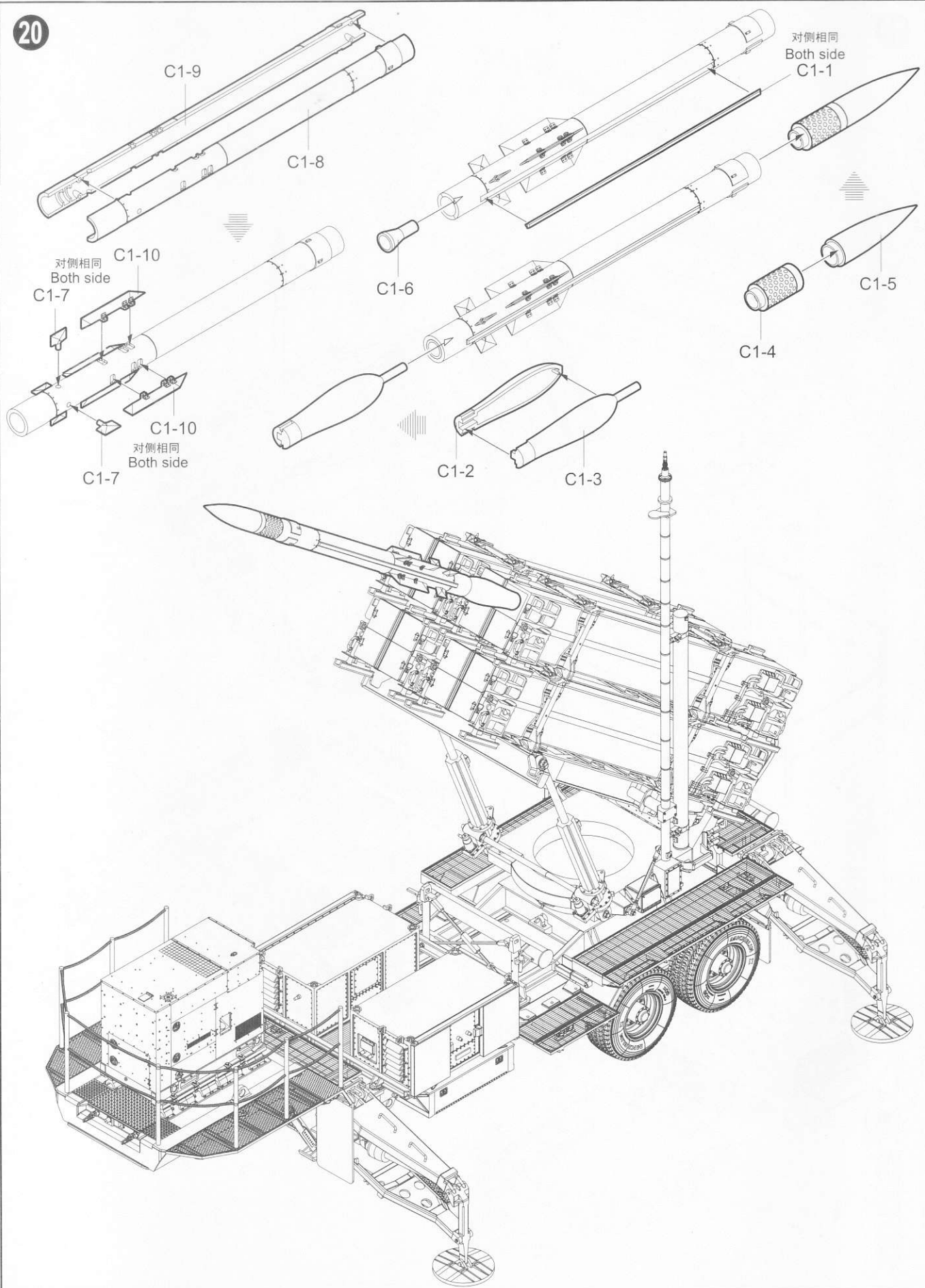
《软管》Ø1.2X50mm
Vinyl tubing



18





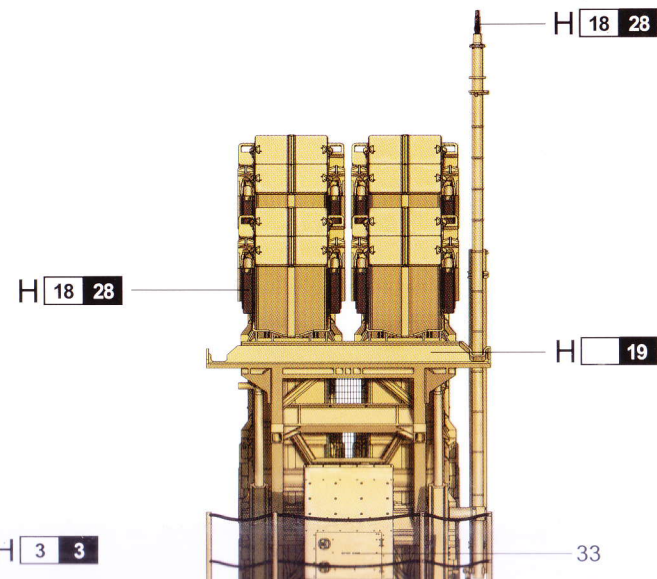
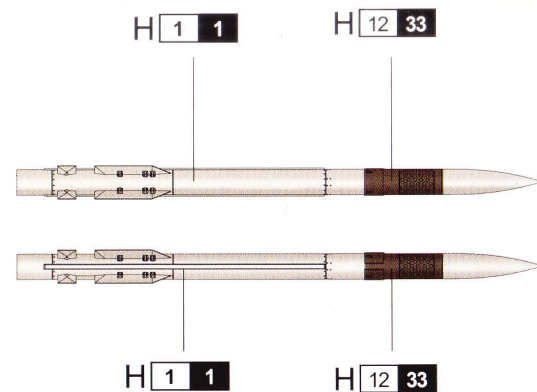
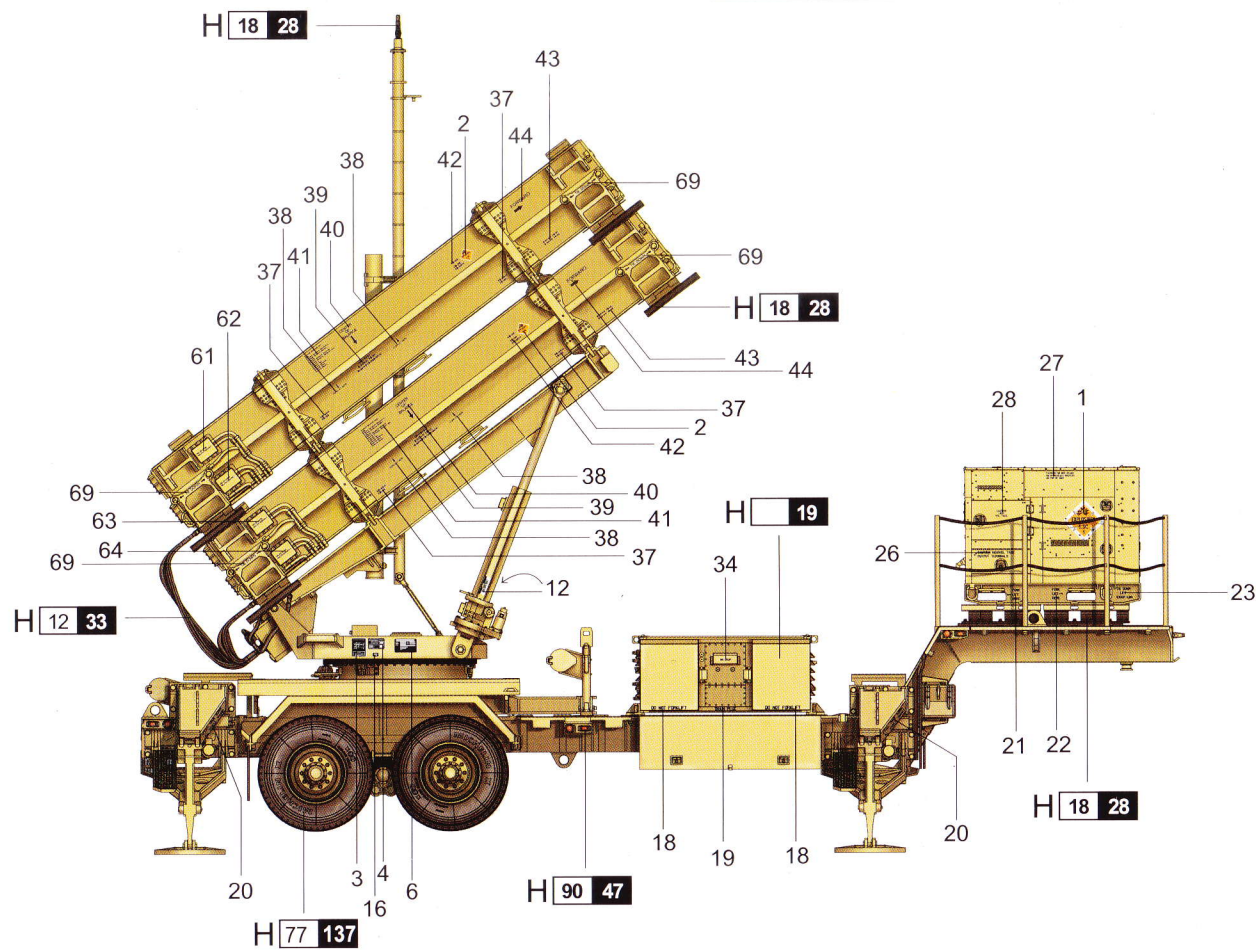


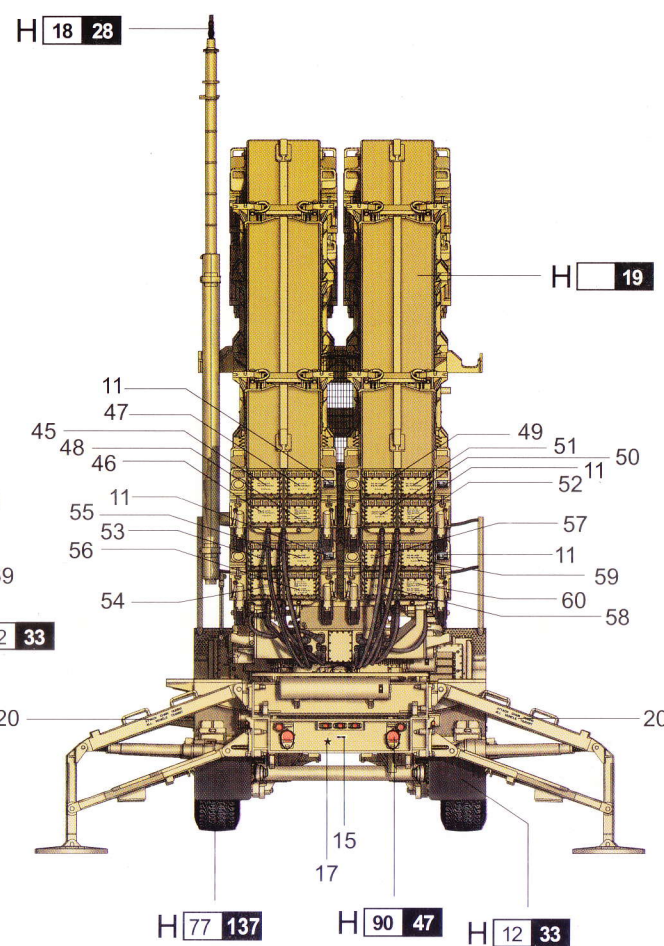
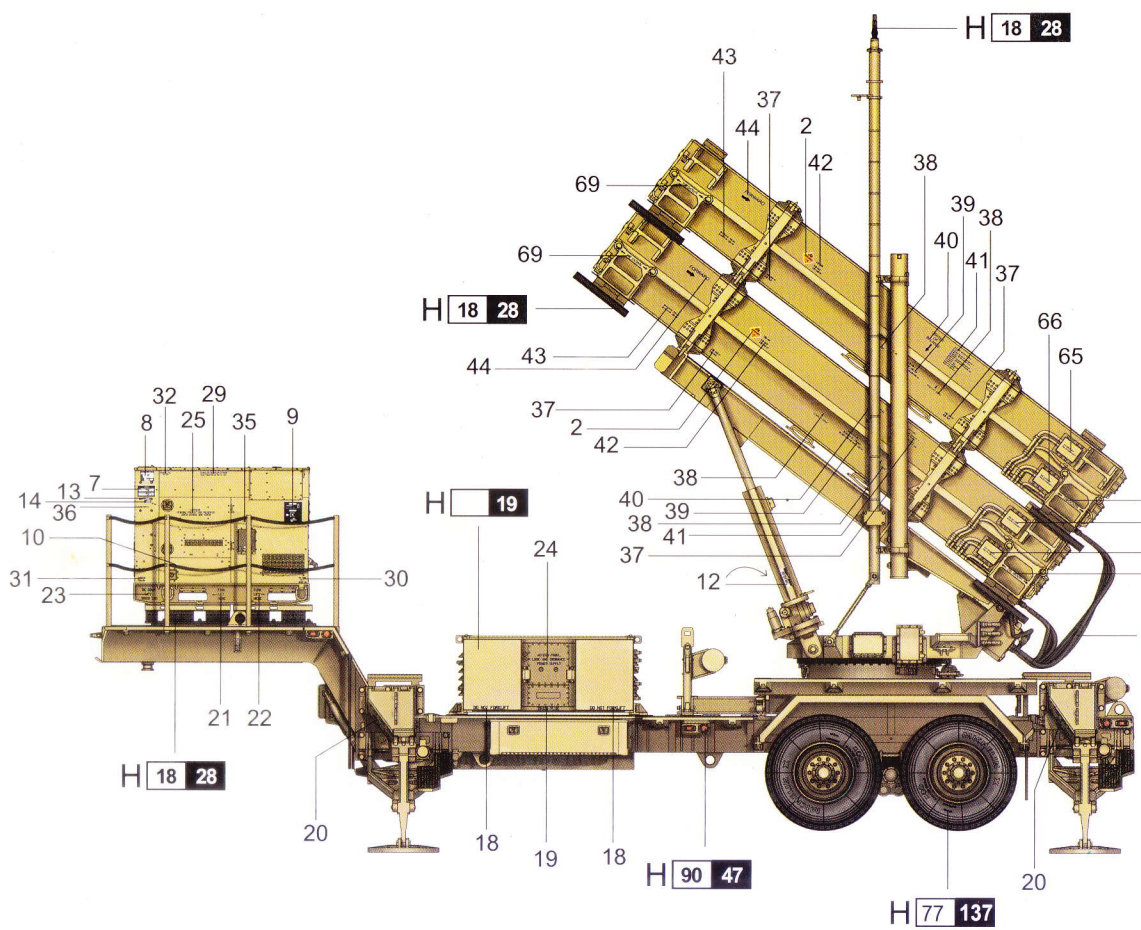
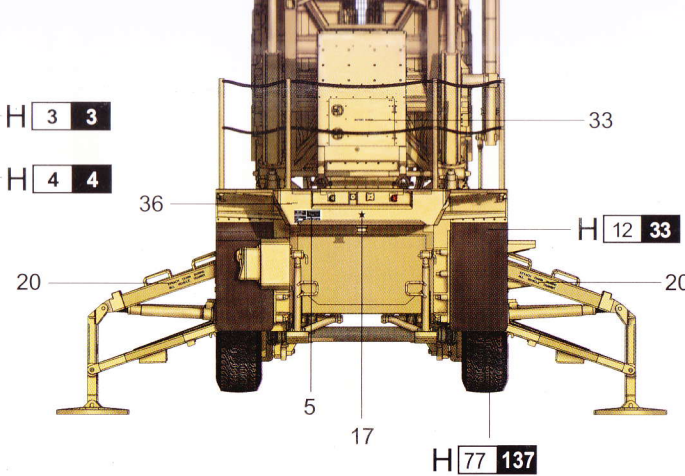
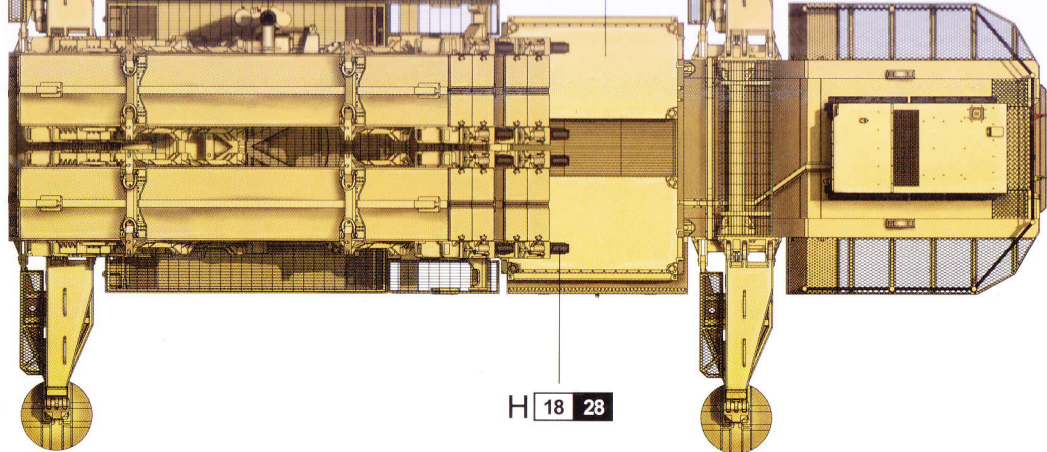
涂装同标贴指示

Painting & Marking guide

PAINT REFERENCE COLOUR

Color	Mr.Hobby	Vallejo	Model Master	Tamiya	Humbrol	Color	Mr.Hobby	Vallejo	Model Master	Tamiya	Humbrol
Sandy Brown 沙褐色	H 19	—	—	—	—	Red 红色	H 3 3	908	1503	X7	19
Flat Black 消光黑	H 12 33	950	1749	XF1	33	White 白色	H 1 1	842	1745	X2	22
Tire Black 胎黑色	H 77 137	—	—	—	—	Yellow 黄色	H 4 4	953	1514	X8	69
Steel 黑铁色	H 18 28	864	1402	—	—	Clear Red 透明红	H 90 47	934	—	X27	—





H AQUEOUS HOBBY COLOR X Mr. COLOR