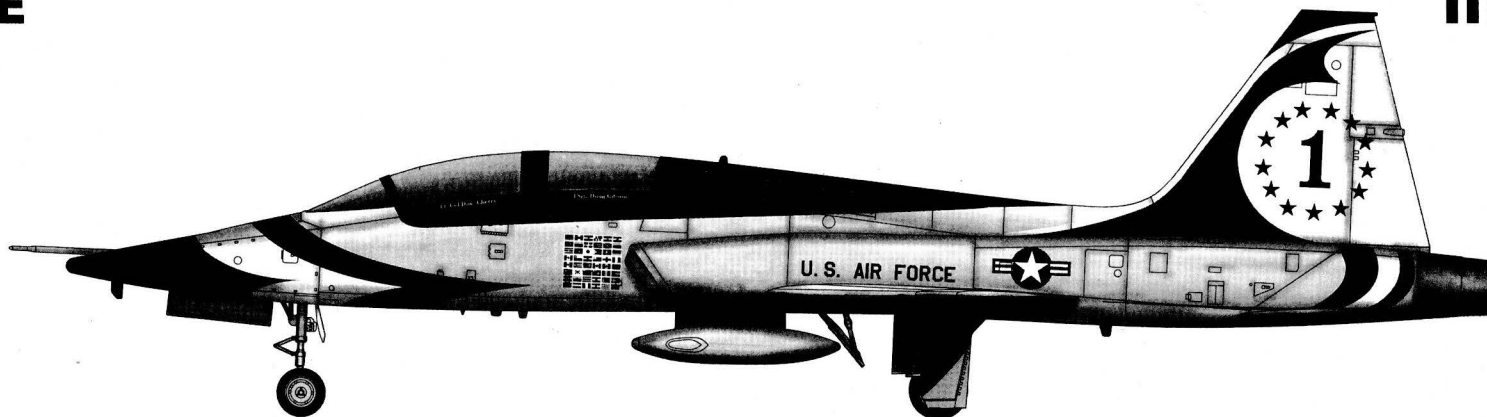


1/48 SCALE

ITEM NO.:05809



US T-38A Talon - Thunderbird

美国T-38A“禽爪”教练机-雷鸟飞行表演队

READ BEFORE ASSEMBLY:

- This kit is not recommended for inexperienced modelers or for children under 14 years of age
- Study and understand these instructions thoroughly before beginning assembly
- When needed, remove photo-etch parts carefully using a modeling knife or photo etch sprue cutter, being careful not to damage or lose small parts.
- Take extra care in handling photo etch parts in order to avoid injury
- Apply instant cement sparingly to photo etch parts where instructed

- Tools recommended(not included in kit):Plastic and instant cements,sprue cutters,long nose pliers,modeling knife, small files, tweezers, pin vise & scissors. Soft cloth and sandpaper will also assist in construction
- Glue and paint are not included in the kit. Use plastic cement and hobby paints only. Color guide for purchasing paint is included in the kit.
- Keep out of reach of children. They must not be allowed to ingest small parts or handle plastic bags in any way.

装配之前仔细阅读

- 小心用模型锉刀锉平所有零件表面的注射浇口。
- 小心用刀片切下蚀刻片零件，不要遗失小零件。
- 用强力快干胶水粘合蚀刻片零件和金属轴。过量的快干胶水使用可能导致可动零件会粘住，小心涂胶。
- 取蚀刻片时应特别注意安全，防止利边划伤手指。
- 某些零件表面需贴水贴纸，请选择在装配的同时进行。
- 推荐模型工具(自备)：胶水，水口剪刀，长咀钳，刀片，锉刀，镊子钳，钻，剪刀，瞬间快干胶。
- 软布同砂纸同时也应该是必备工具。
- 请使用塑料胶水和油漆，模型内不含。
- 谨防小孩吸吮塑料零件，或者将塑料袋套在头上，制作时应将套材远离小孩接触。
- 本产品不适合14岁以下没有经验的模型爱好者。

水贴纸的使用:

1. 从水贴上剪下印花;
2. 将印花放入温水中浸10秒, 然后放在干净布上。
3. 拿着印花纸板将印花移到模型上;
4. 手指蘸水将印花移到适当的位置;
5. 用软布轻压印花直至水干, 气泡消失。

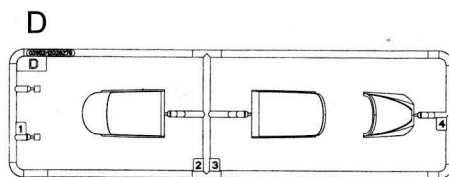
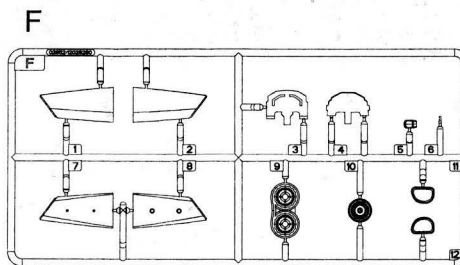
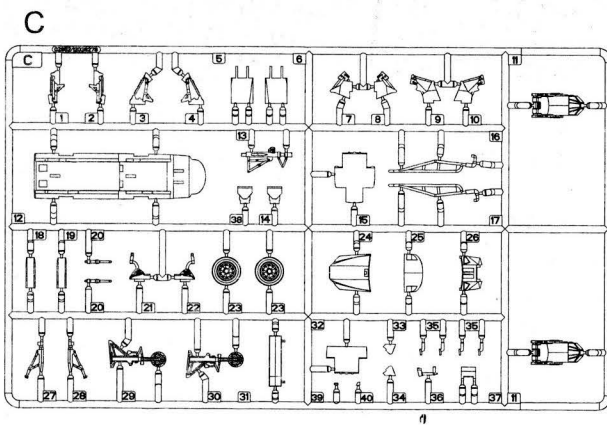
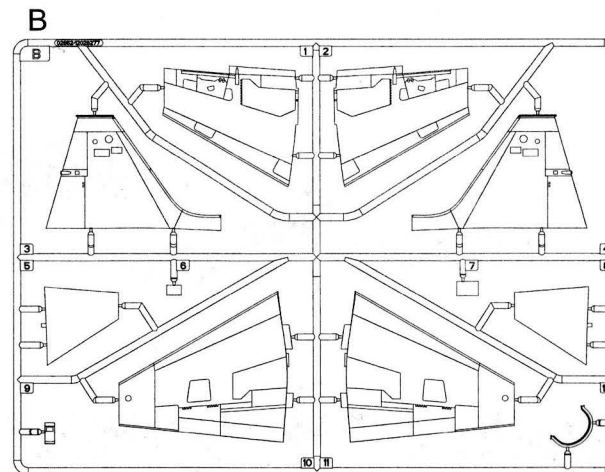
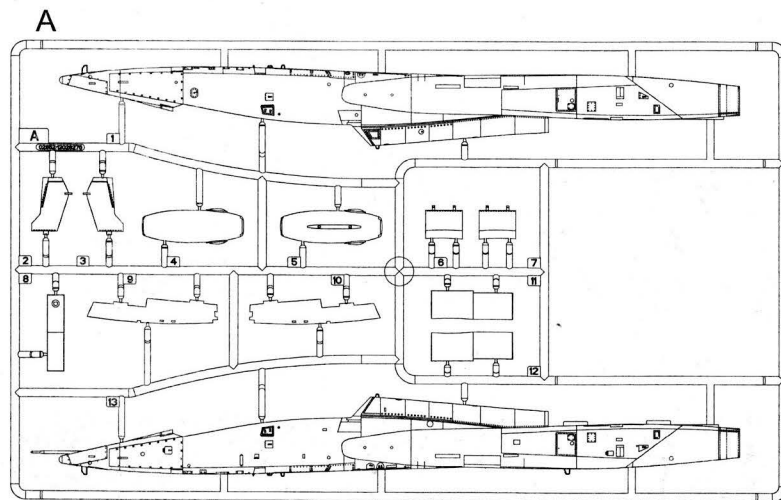
DECAL APPLICATION:

1. Cut decals from sheet as needed
2. Dip the decal in warm water for about 10 seconds and then place on soft clean cloth.
3. Hold the decal backing sheet edge and gently slide the decal onto the model in its proper position.

4. While still wet, decal can be adjusted for better fit on model by dampening it gently with your finger.
5. When placed in the proper position, gently press decal down with a soft cloth until excess water and air bubbles are gone.
6. Allow decal to dry completely before handling model

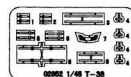


部品图
Parts

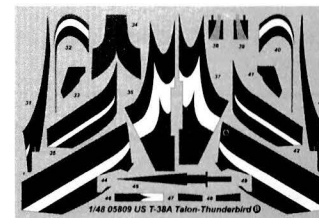


不用部件: F5 D1
Unused parts

《蚀刻片》
Photo etched parts(PE)

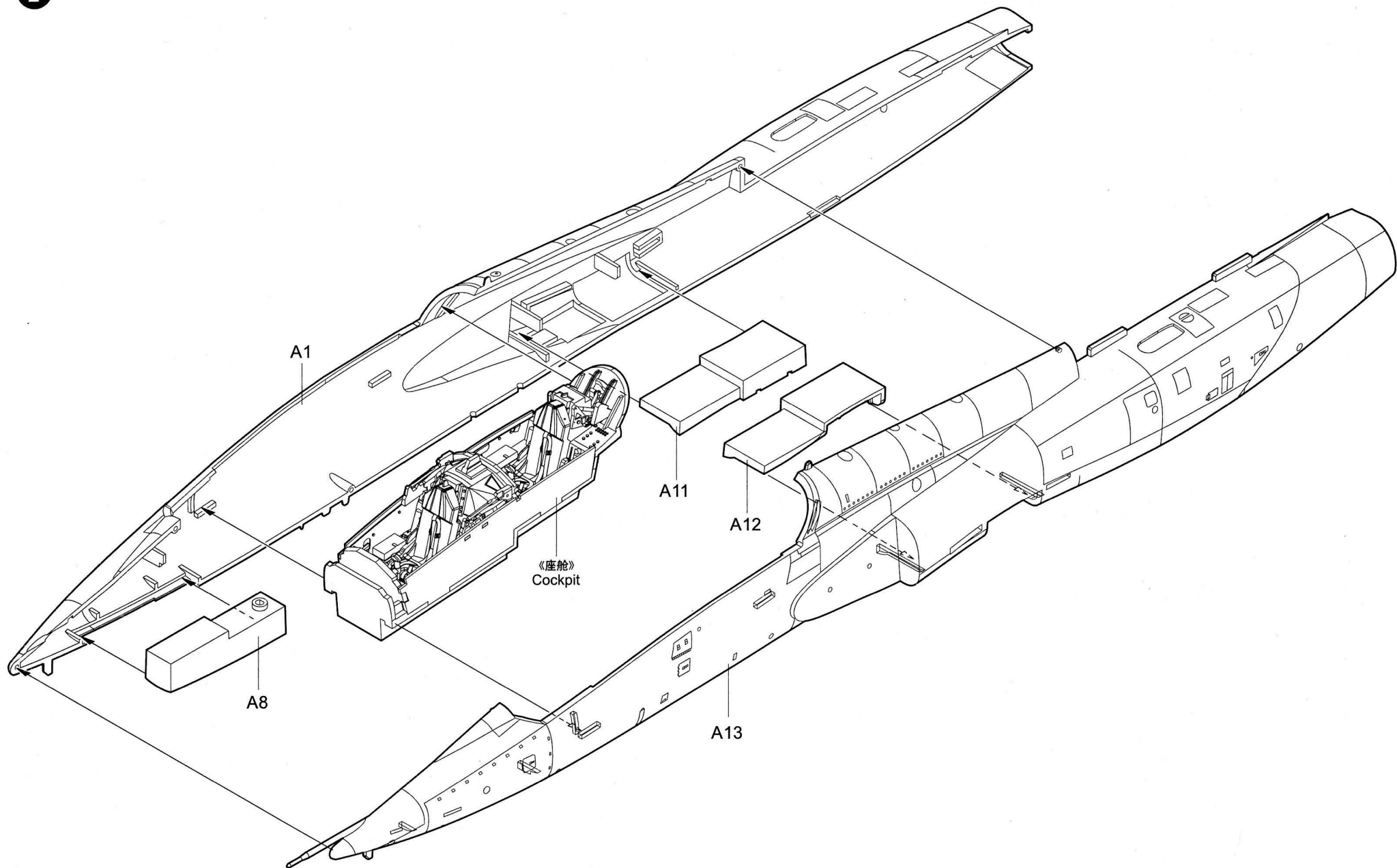


A

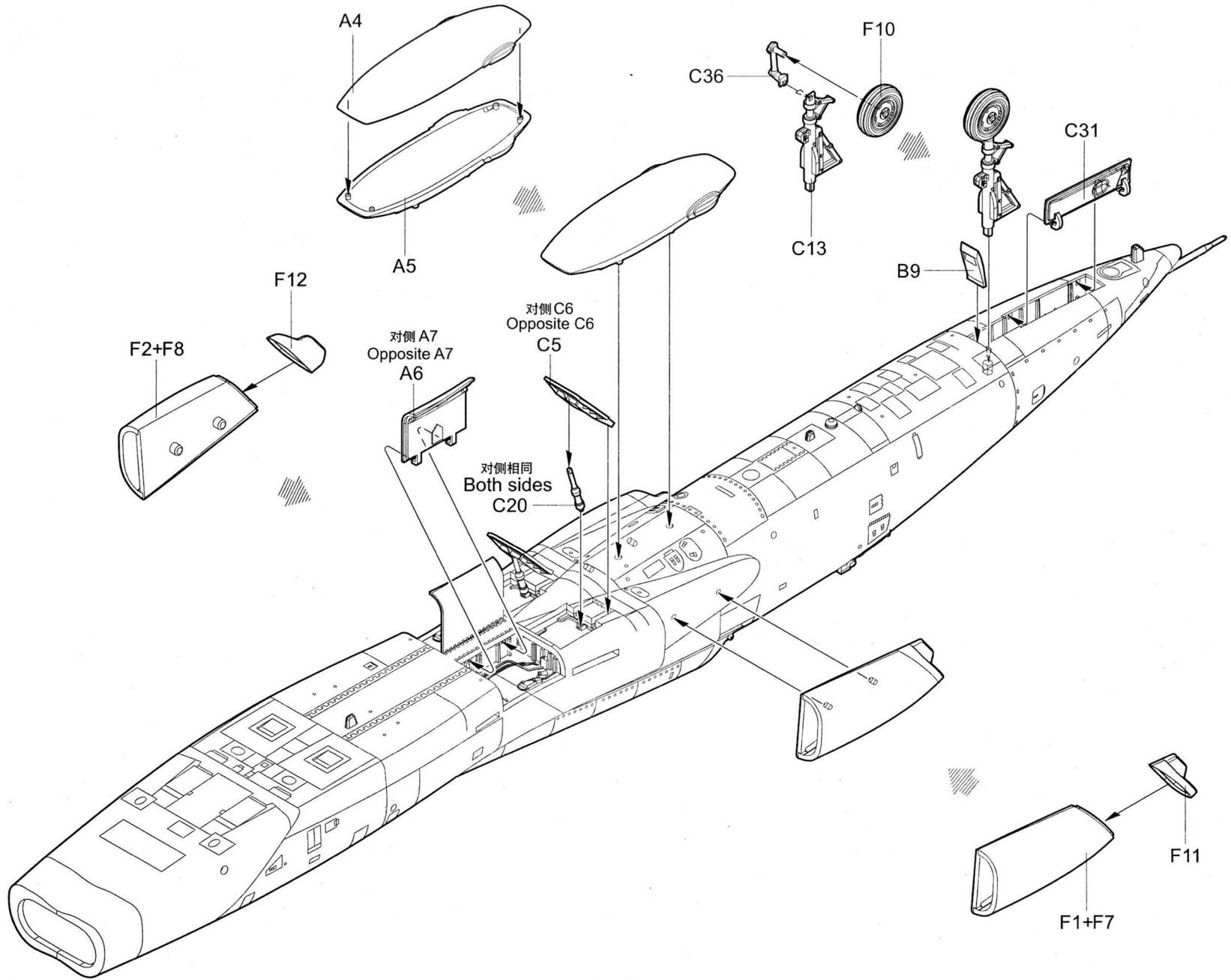


B

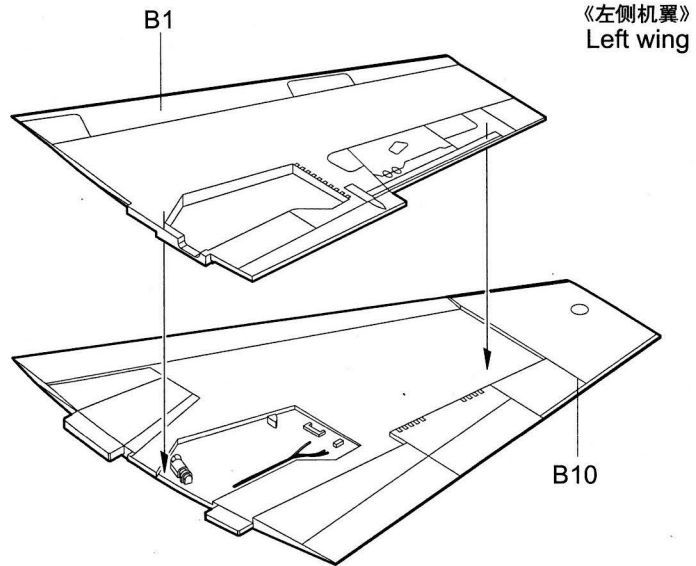
2



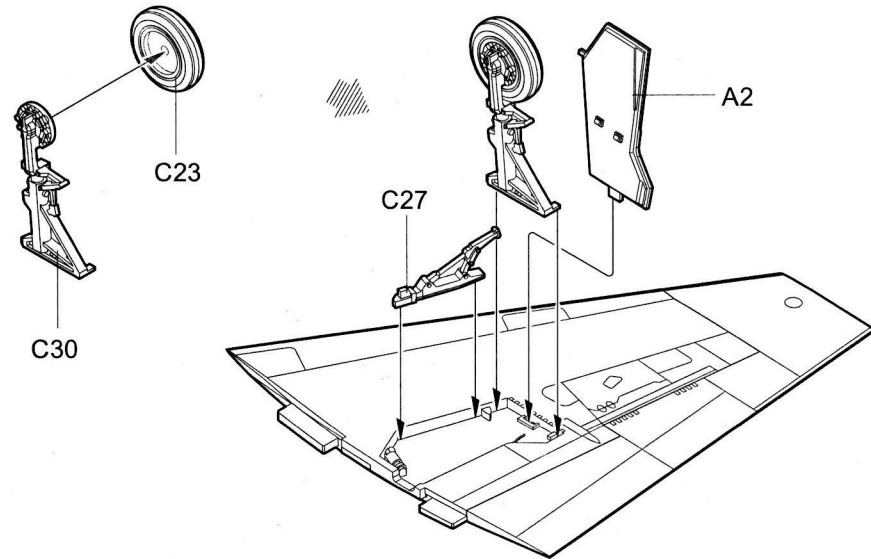
3



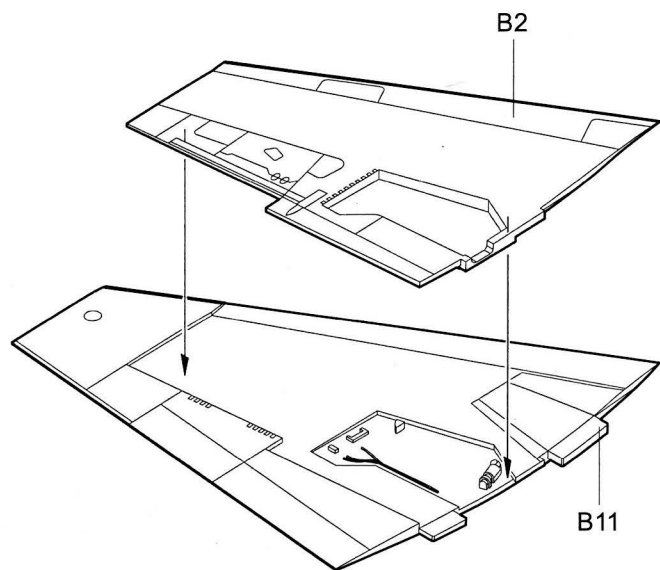
4



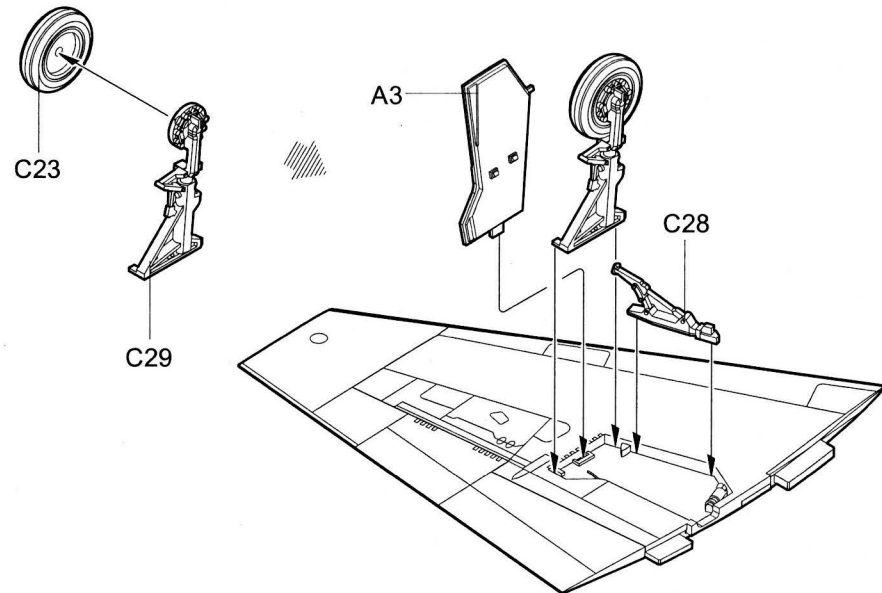
《左侧机翼》
Left wing



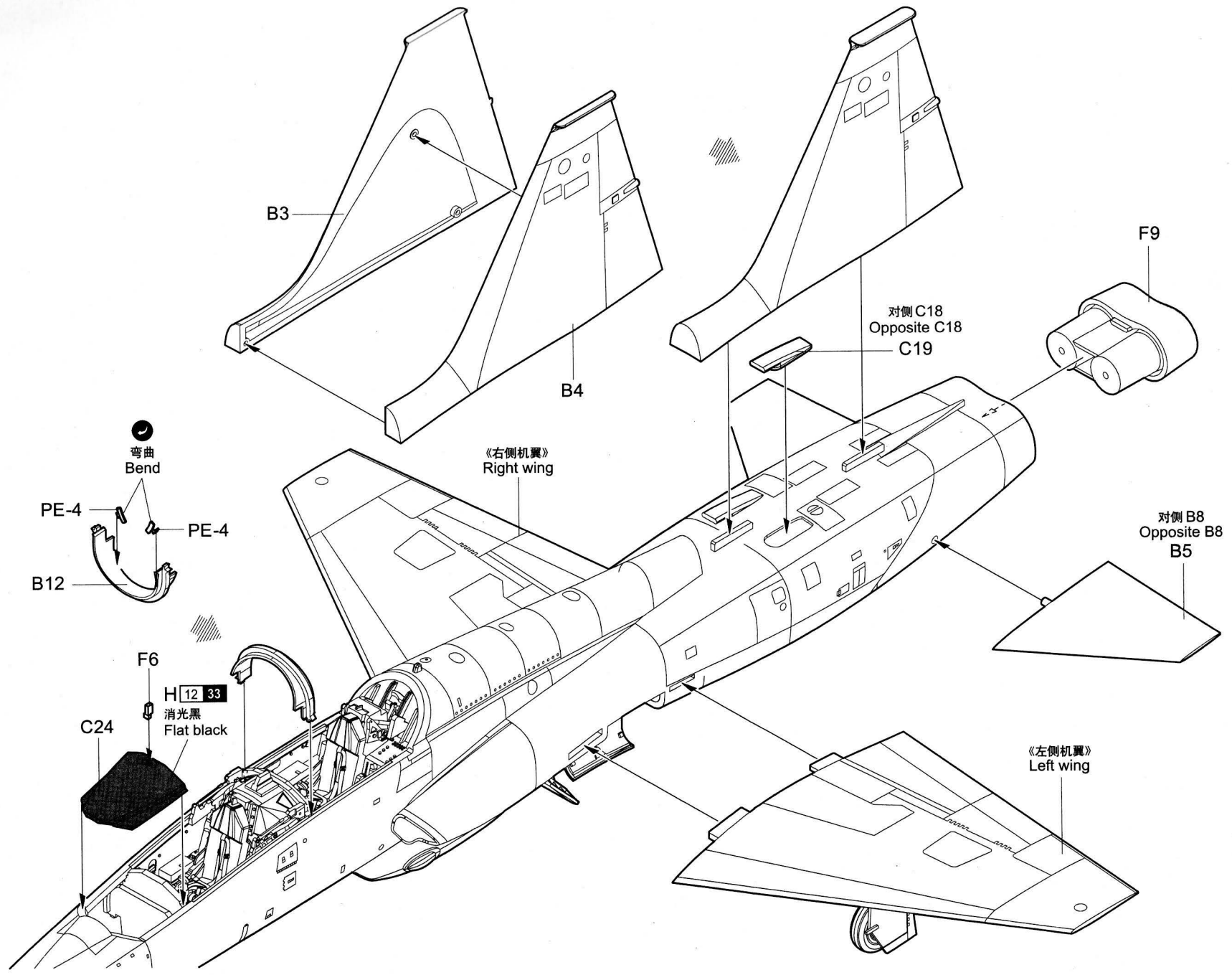
5



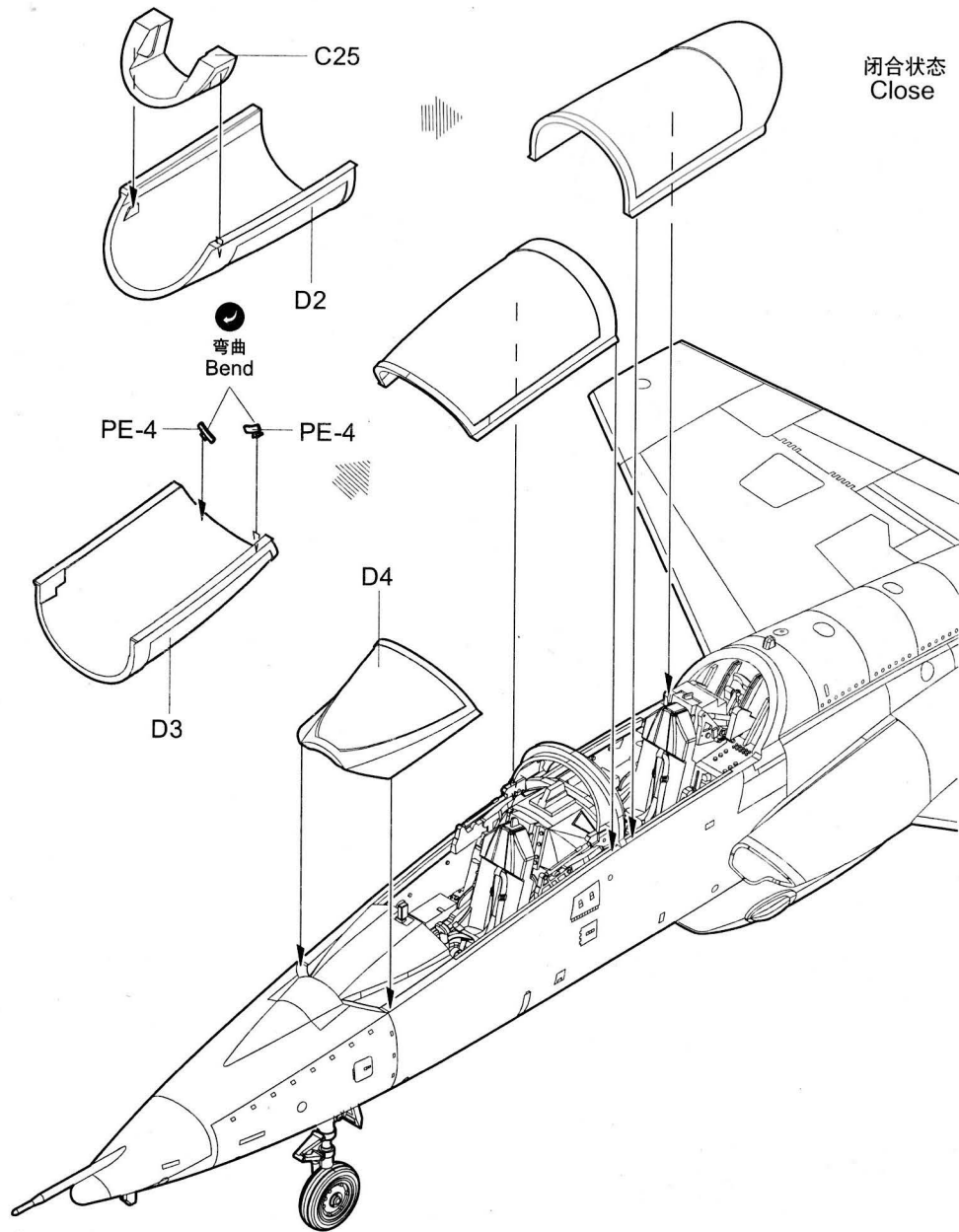
《右侧机翼》
Right wing



6



7

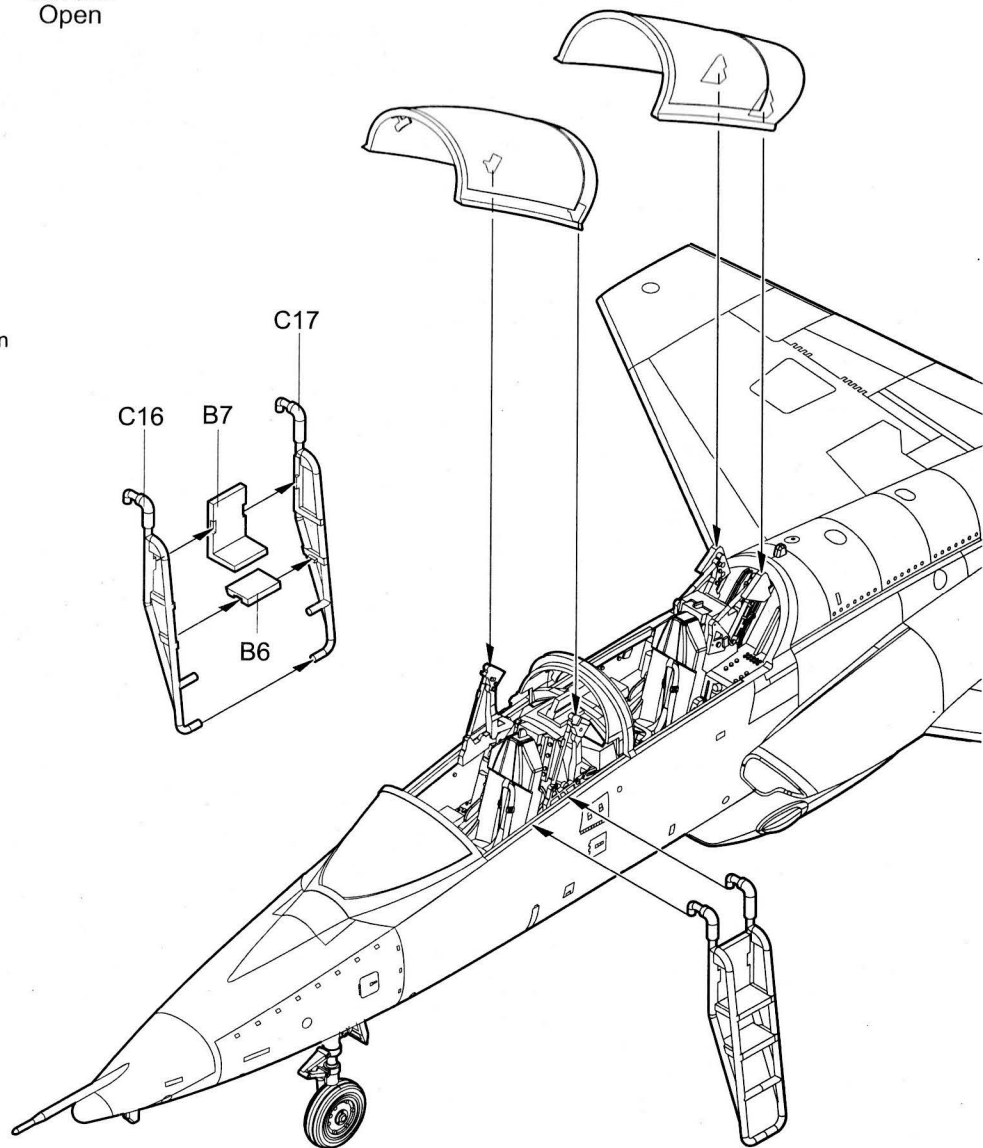


闭合状态
Close

8

展开状态
Open

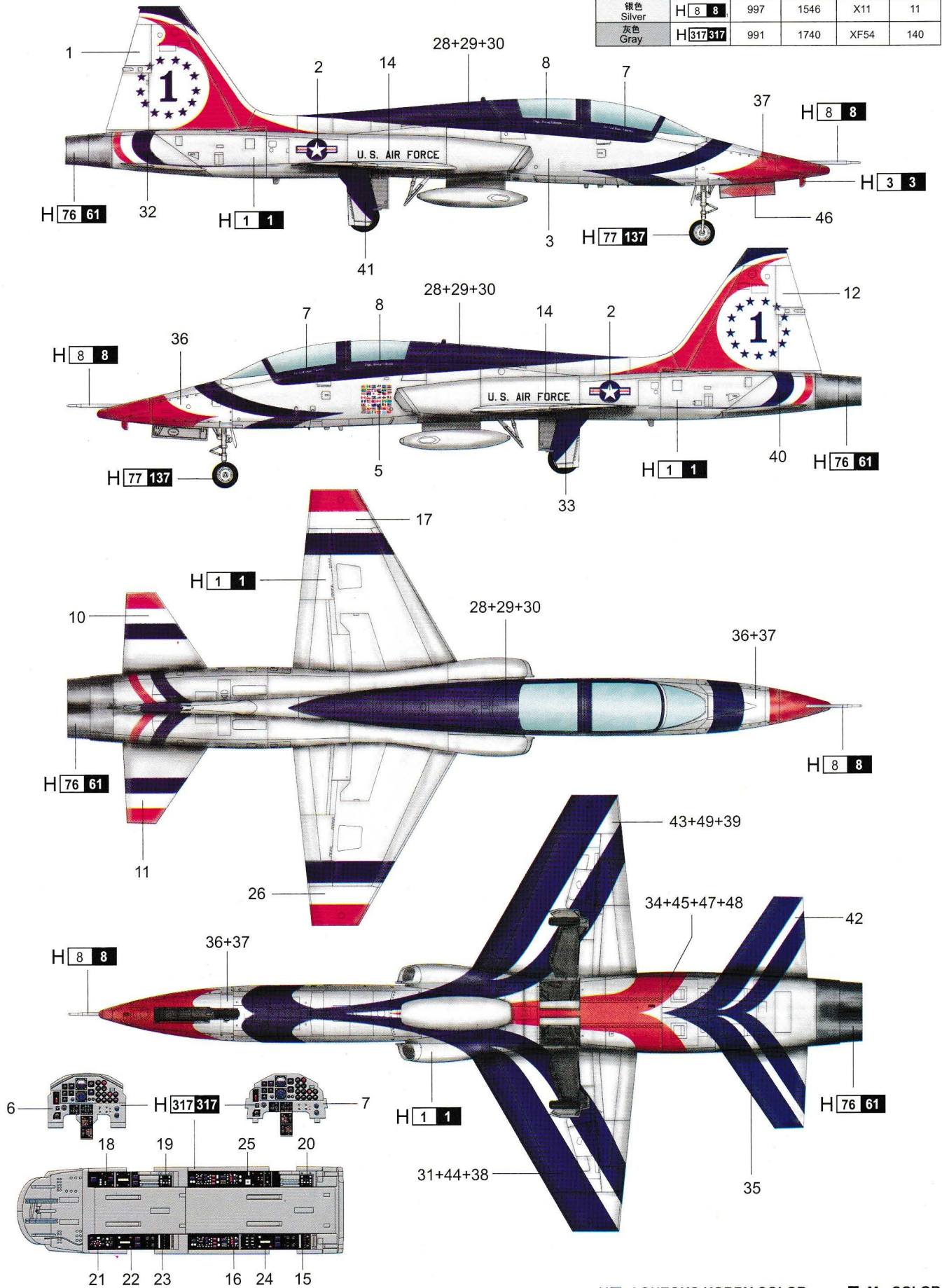
选择
Option



涂装同标贴指示 Painting & Marking guide

A

PAINT REFERENCE COLOUR					
Color	Mr.Hobby	Vallejo	Model Master	Tamiya	Humbrol
烧铁色 Burnt Iron	H 76 61	863	1795	X10	53
白色 White	H 1 1	842	1745	X2	22
胎黑色 Tire Black	H 77 137	-	-	-	-
红色 Red	H 3 3	908	1503	X7	19
银色 Silver	H 8 8	997	1546	X11	11
灰色 Gray	H 317 317	991	1740	XF54	140



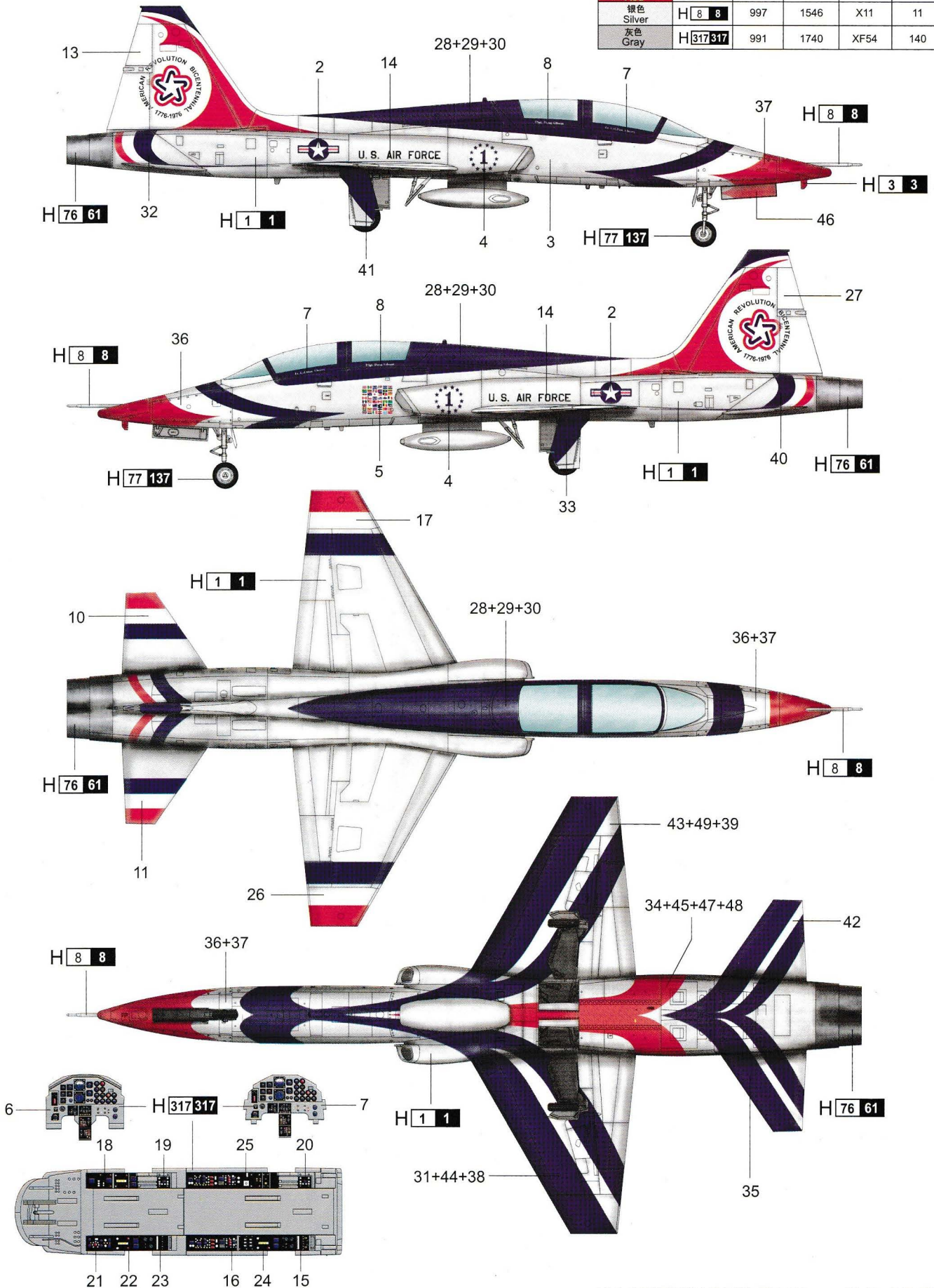
H X AQUEOUS HOBBY COLOR X Mr. COLOR

涂装同标贴指示 Painting & Marking guide

B

PAINT REFERENCE COLOUR

Color	Mr.Hobby	Vallejo	Model Master	Tamiya	Humbrol
烧铁色 Burnt Iron	H 76 61	863	1795	X10	53
白色 White	H 1 1	842	1745	X2	22
胎黑色 Tire Black	H 77 137	-	-	-	-
红色 Red	H 3 3	908	1503	X7	19
棕色 Silver	H 8 8	997	1546	X11	11
灰色 Gray	H 317 317	991	1740	XF54	140



H [] AQUEOUS HOBBY COLOR

[] Mr. COLOR