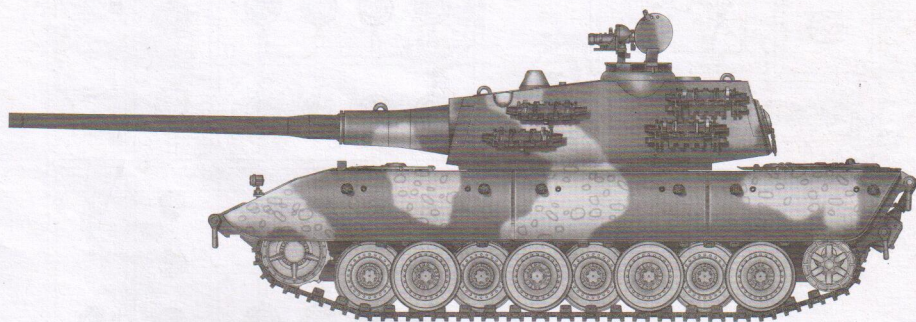


1:72 SCALE

ITEM NO.:07121

# German E-100 Super Heavy Tank

## 德国E-100超重型坦克



### READ BEFORE ASSEMBLY:

- Study and understand these instructions thoroughly before beginning assembly
- When needed, remove photo-etch parts carefully using a modeling knife or photo etch sprue cutter, being careful not to damage or lose small parts.
- Take extra care in handling photo etch parts in order to avoid injury
- Apply instant cement sparingly to photo etch parts where instructed
- Tools recommended(not included in kit):Plastic and instant cements,sprue cutters,long nose pliers,,modeling knife, small files, tweezers, pin vise & scissors. Soft cloth and sandpaper will also assist in construction
- Glue and paint are not included in the kit. Use plastic cement and hobby paints only. Color guide for purchasing paint is included in the kit.

### 装配之前仔细阅读

- 小心用模型锉刀锉平所有零件表面的注射浇口。
- 小心用刀片切下蚀刻片零件，不要遗失小零件。
- 用强力快干胶水粘合蚀刻片零件和金属轴。过量的快干胶水使用可能导致可动零件会粘住，小心涂胶。
- 取蚀刻片时应特别注意安全，防止利边划伤手指。
- 某些零件表面需贴水上贴纸，请选择在装配的同时进行。
- 推荐模型工具(自备)：胶水，水口剪刀，长咀钳，刀片，锉刀，镊子，钳，钻，剪刀，瞬间快干胶。
- 软布同砂纸同时也应该是必备工具。
- 请使用塑料胶水和油漆，模型内不含。



cyanoacrylate glue  
使用强力胶



weight  
配重



make hole  
钻孔



cut / remove  
切除



bend  
弯曲



file / sand  
锉平



option  
选择



no cement  
不涂胶水



decal  
贴纸



先装  
Install it first

### 水贴纸的使用:

1. 从水贴纸上剪下印花;
2. 将印花放入温水中浸10秒，然后放在干净布上。
3. 拿着印花纸板将印花移到模型上;
4. 手指蘸水将印花移到适当的位置;
5. 用软布轻压印花直至水干，气泡消失。

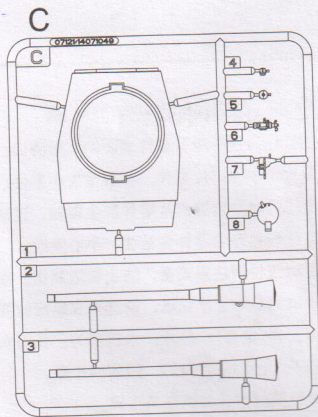
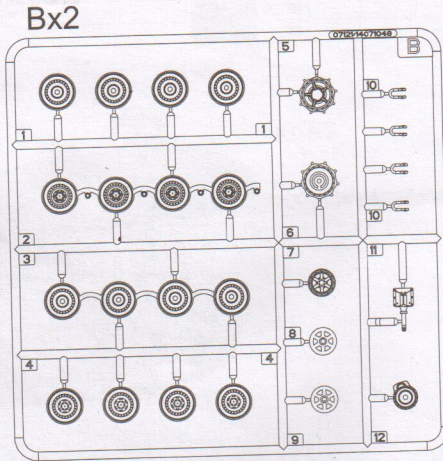
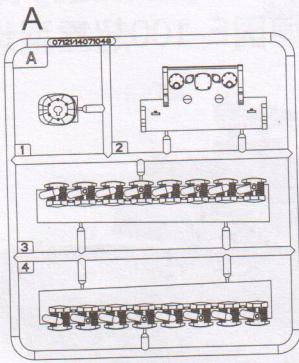
### DECAL APPLICATION

1. Cut off decal from sheet.
2. Dip the decal in tepid water 40°C for about 10 sec. and place on a clean cloth.
3. Hold the backing sheet edge and slide decal onto the model.
4. Move decal into position by wetting decal with finger.
5. Press decal gently down with a soft cloth until excess water and air bubbles are gone.
6. Allow decal to dry completely before handling model.

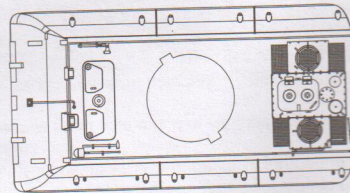
07121

1

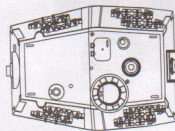
部品图 Parts



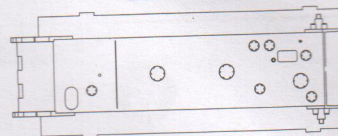
《车面》  
Upper hull



《炮塔面》  
Turret upper



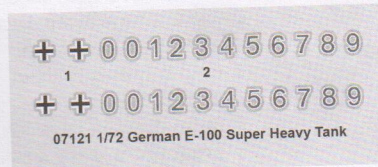
《车底》  
Lower hull



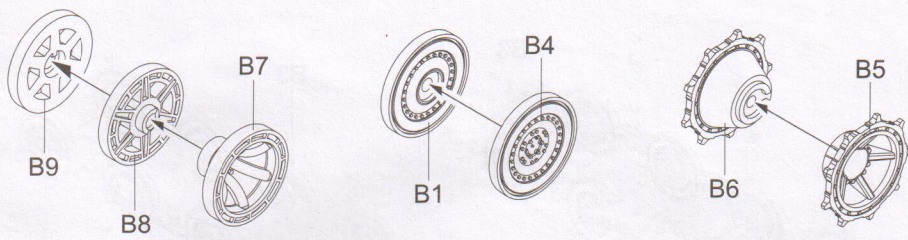
《履带》 x2  
TR



《水贴》  
Decal



1

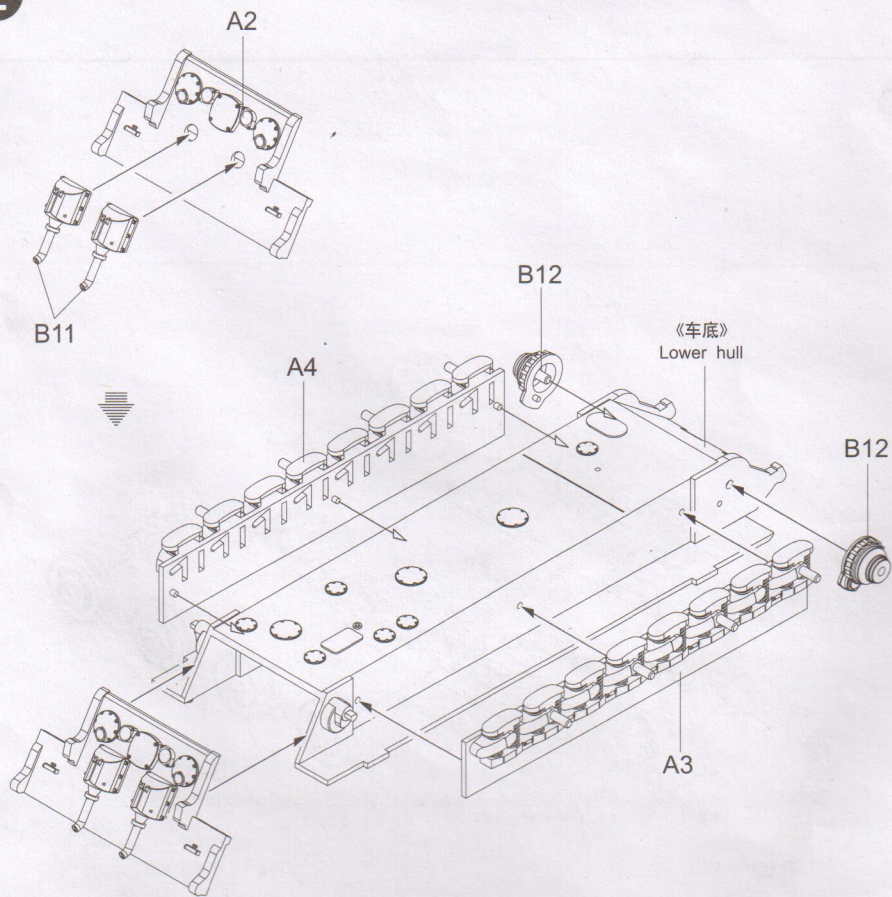


《诱导轮》  
Idler wheels  
制作2组  
Make two

《负重轮》  
Road wheels  
制作8组  
Make eight

《主动轮》  
Sprocket wheels  
制作2组  
Make two

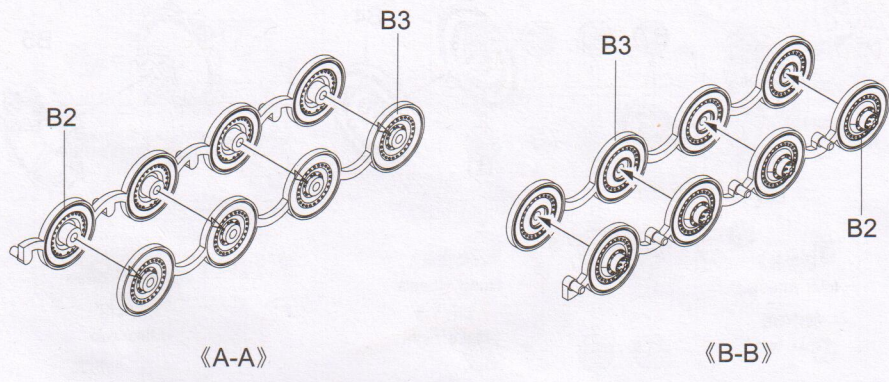
2



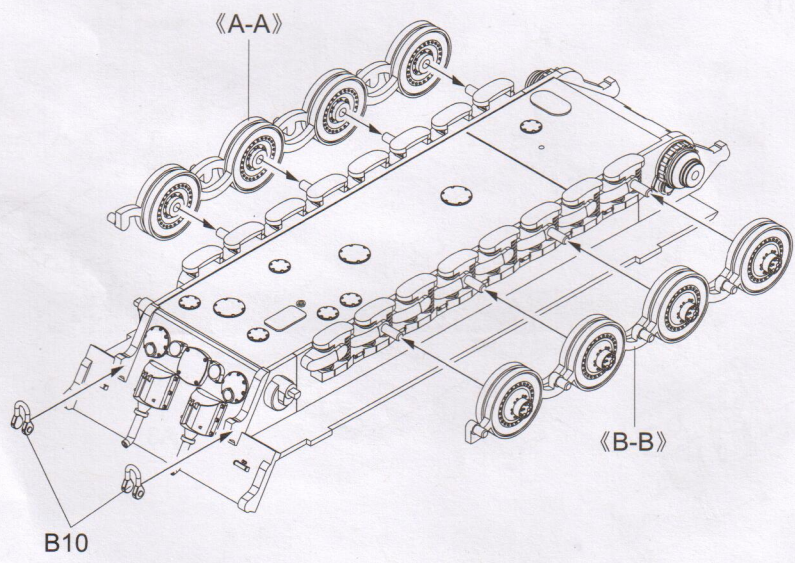
07121

3

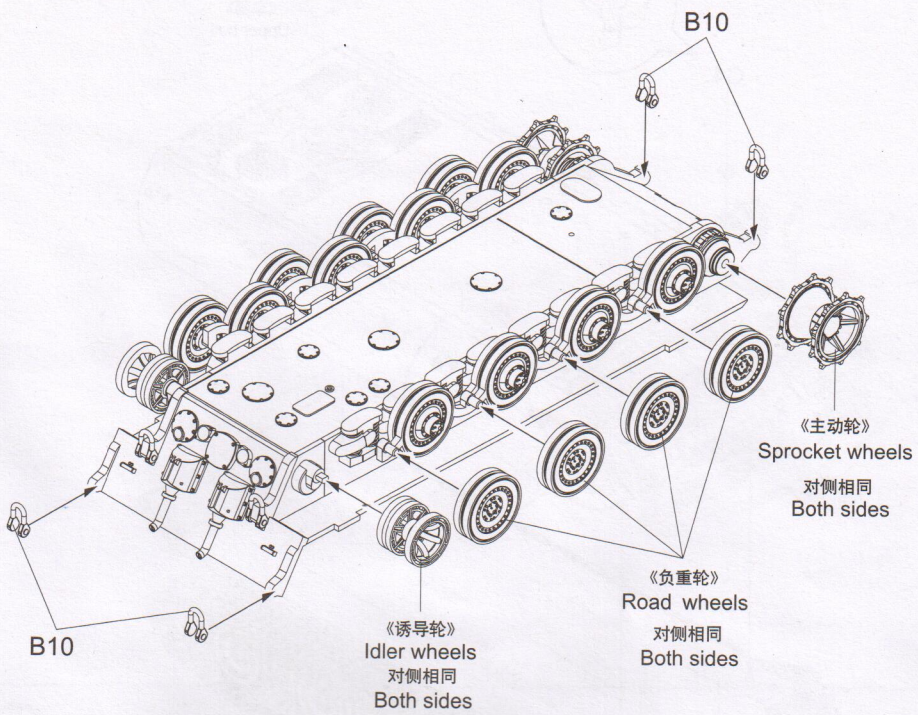
3



4

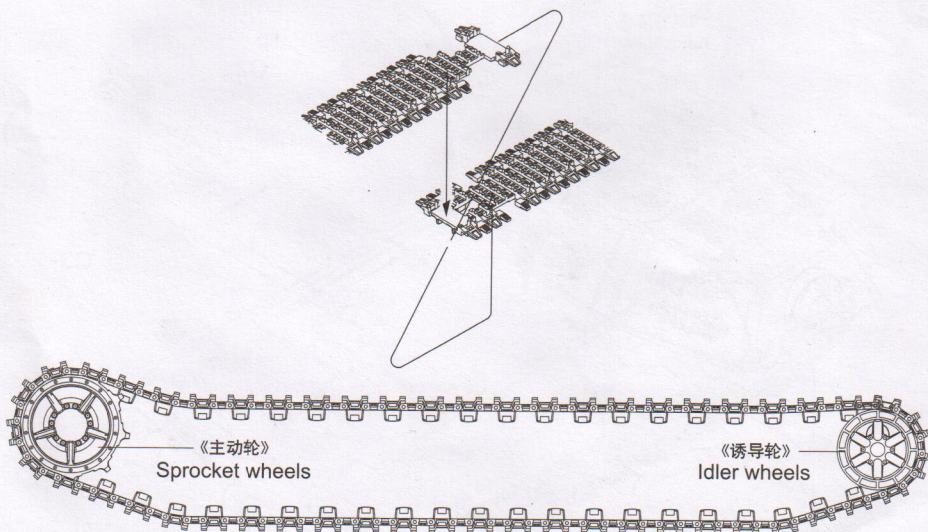


5



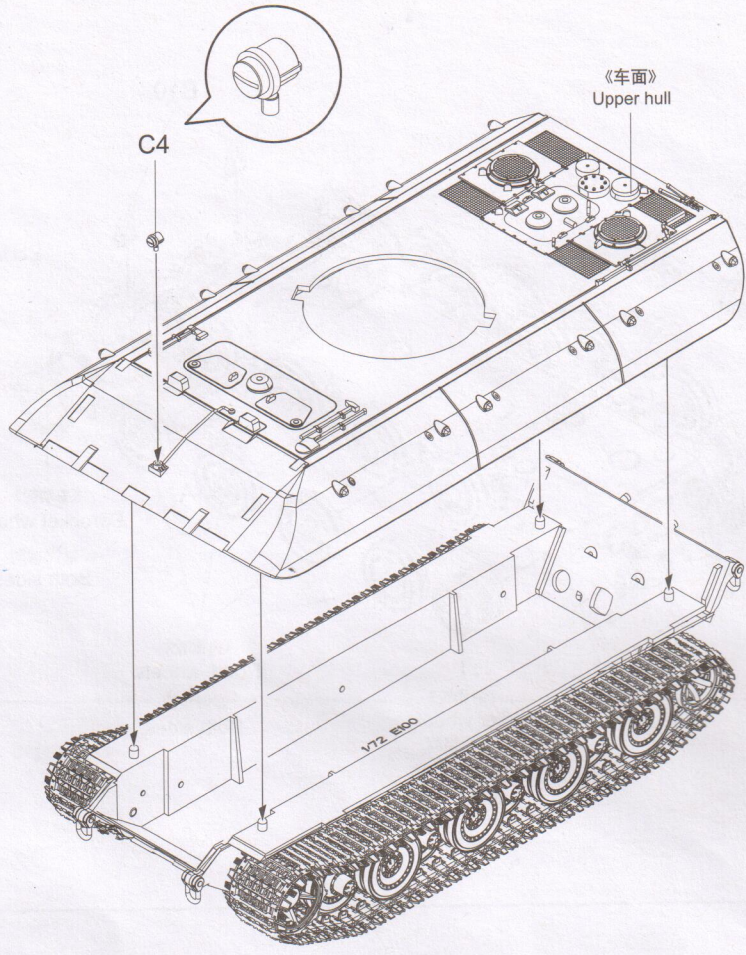
6

履带组装  
Track assembly

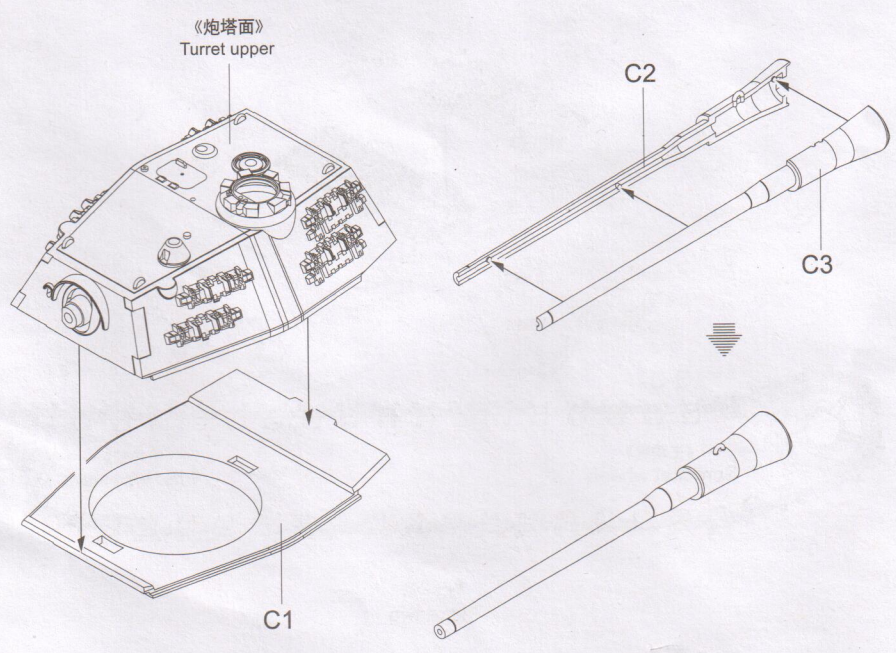


制作2组  
Make two

7



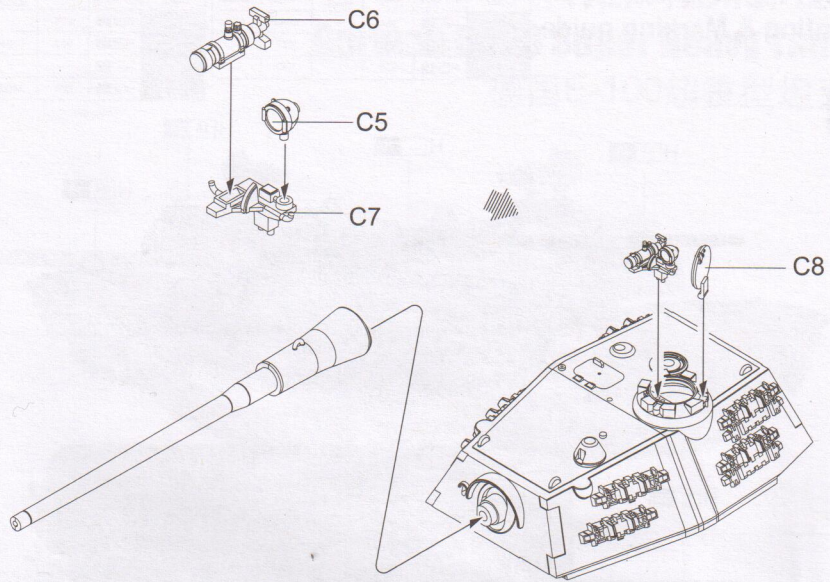
8



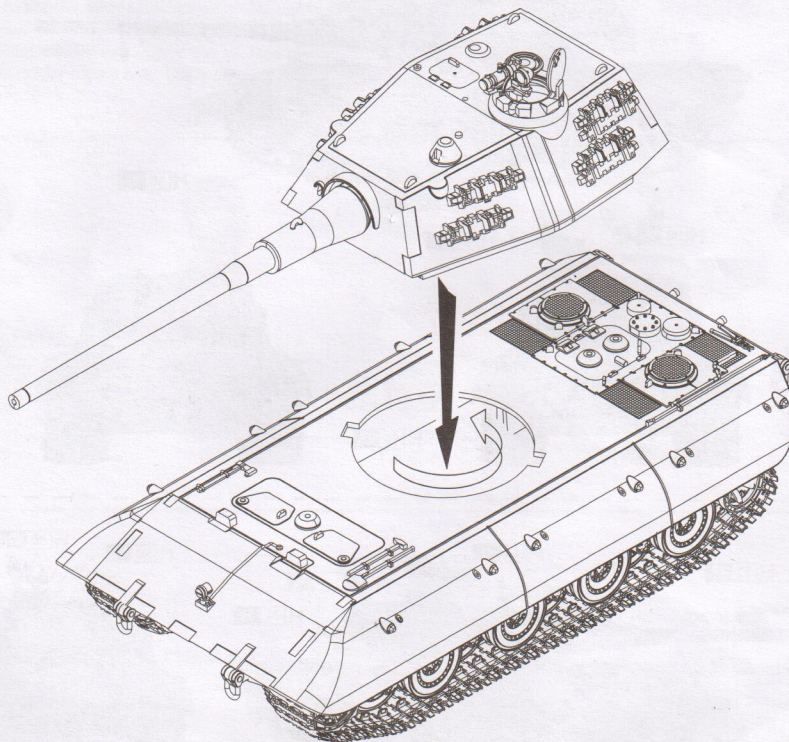
07121

6

9



10



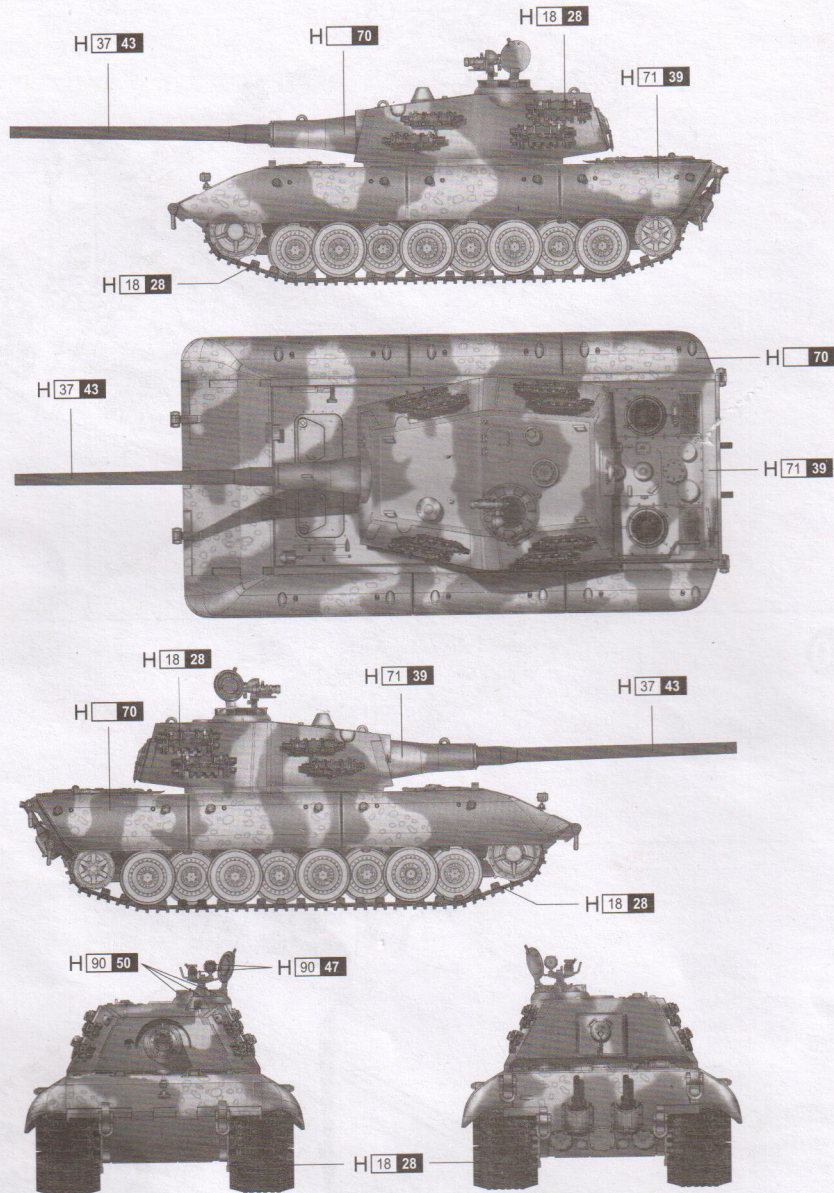
07121

7

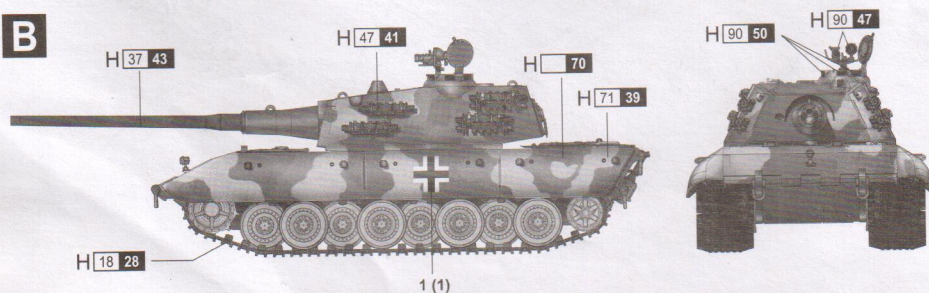
# 涂装同标贴指示 Painting & Marking guide

PAINT REFERENCE COLOUR					PAINT REFERENCE COLOUR						
Color	Mr.Hobby	Vallejo	Model Master	Tamiya	Humbrol	Color	Mr.Hobby	Vallejo	Model Master	Tamiya	Humbrol
Red Brown 红棕色	H[22 41]	984	---	XF64	160	Dark Yellow 暗黄色	H[72 32]	824	---	XF59	93
Clear Red 透明红	H[39 42]	934	---	X27	---	Wood Brown 木棕色	H[37 43]	983	1701	---	186
Clear Blue 透明蓝	H[33 22]	938	---	X23	---	Dark Green 暗绿色	H[70 70]	---	---	---	---
						Steel 黑铁色	H[15 23]	864	1402	---	---

**A**



**B**



1 (1)

H [ ] AQUEOUS HOBBY COLOR    [ ] Mr. COLOR