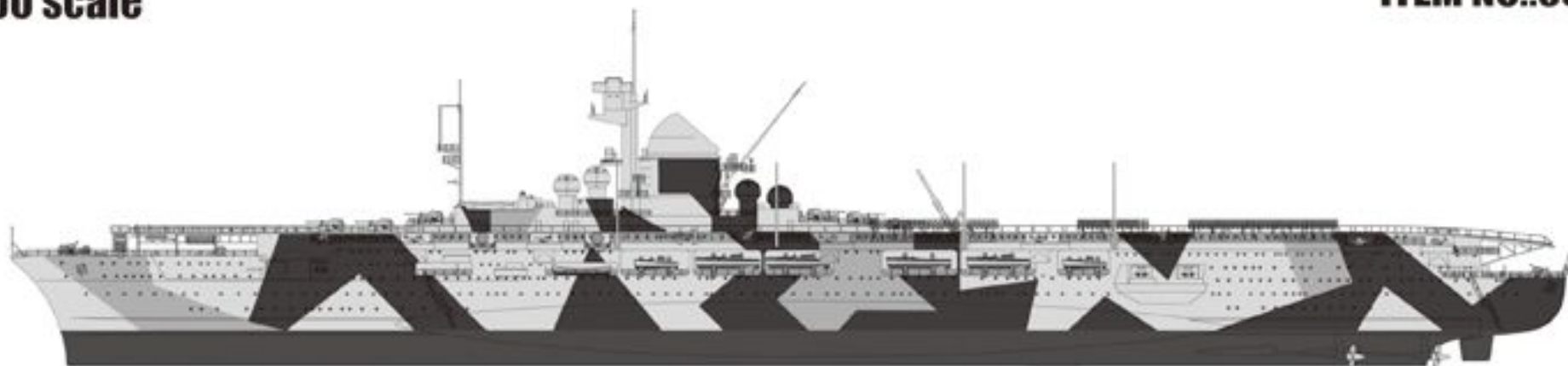


1/350 scale

ITEM NO.:05627



German Navy Aircraft Carrier DKM Graf Zeppelin

德国海军“格拉夫·齐柏林”号航空母舰

READ BEFORE ASSEMBLY:

- This kit is not recommended for inexperienced modelers or for children under 14 years of age
- Study and understand these instructions thoroughly before beginning assembly
- When needed, remove photo-etch parts carefully using a modeling knife or photo etch sprue cutter, being careful not to damage or lose small parts.
- Take extra care in handling photo etch parts in order to avoid injury
- Apply instant cement sparingly to photo etch parts where instructed

- Tools recommended(not included in kit):Plastic and instant cements,sprue cutters,long nose pliers, modeling knife, small files, tweezers, pin vise & scissors. Soft cloth and sandpaper will also assist in construction
- Glue and paint are not included in the kit. Use plastic cement and hobby paints only. Color guide for purchasing paint is included in the kit.
- Keep out of reach of small children. They must not be allowed to ingest small parts or handle plastic bags in any way.

装配之前仔细阅读

- 小心用模型锉刀锉平所有零件表面的注射浇口。
- 小心用刀片切下蚀刻片零件，不要遗失小零件。
- 用强力快干胶水粘合蚀刻片零件和金属轴。过量的快干胶水使用可能导致可动零件会粘住，小心涂胶。
- 取蚀刻片时应特别注意安全，防止利边划伤手指。
- 某些零件表面需贴水贴纸，请选择在装配的同时进行。
- 推荐模型工具(自备)：胶水，水口剪刀，长咀钳，刀片，锉刀，镊子钳，钻，剪刀，瞬间快干胶。
- 软布同砂纸同时也应该是必备工具。
- 请使用塑料胶水和油漆，模型内不含。
- 谨防小孩吸吮塑料零件，或者将塑料袋套在头上，制作时应将套材远离小孩接触。
- 本产品不适合14岁以下没有经验的模型爱好者。

水贴纸的使用:

1. 从水贴纸上剪下印花;
2. 将印花放入温水中浸10秒，然后放在干净布上;
3. 拿着印花纸板将印花移到模型上;
4. 手指蘸水将印花移到适当的位置;
5. 用软布轻压印花直至水干，汽泡消失。

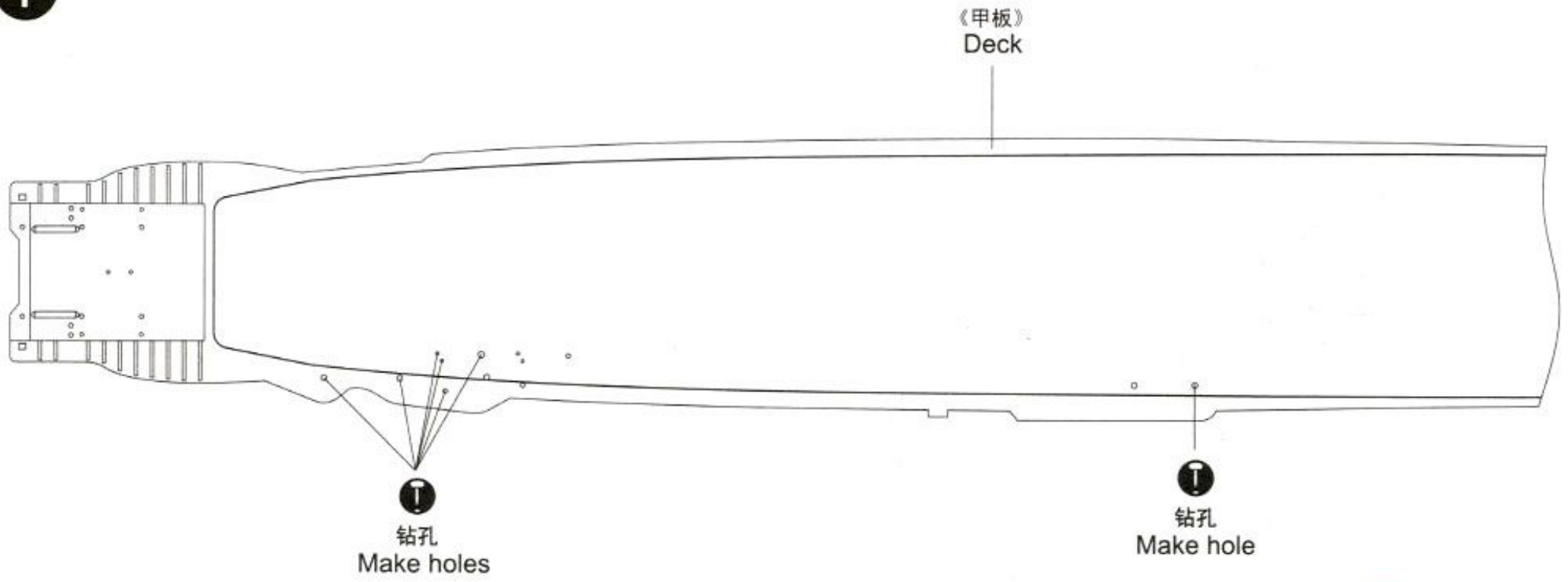
DECAL APPLICATION:

1. Cut decals from sheet as needed
2. Dip the decal in warm water for about 10 seconds and then place on soft clean cloth.
3. Hold the decal backing sheet edge and gently slide the decal onto the model in its proper position.

4. While still wet, decal can be adjusted for better fit on model by dampening it gently with your finger.
5. When placed in the proper position, gently press decal down with a soft cloth until excess water and air bubbles are gone.
6. Allow decal to dry completely before handling model



1

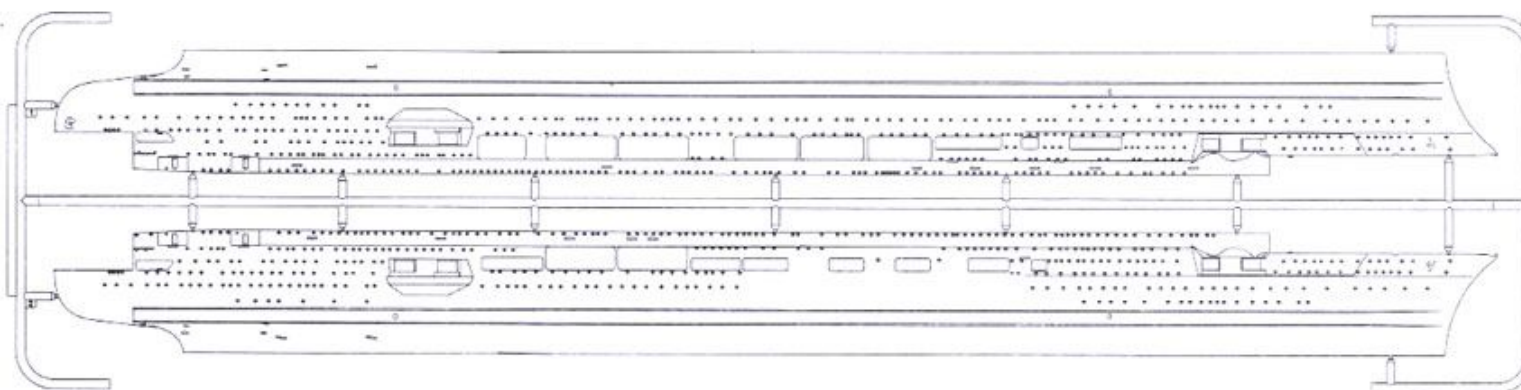


部品图Parts

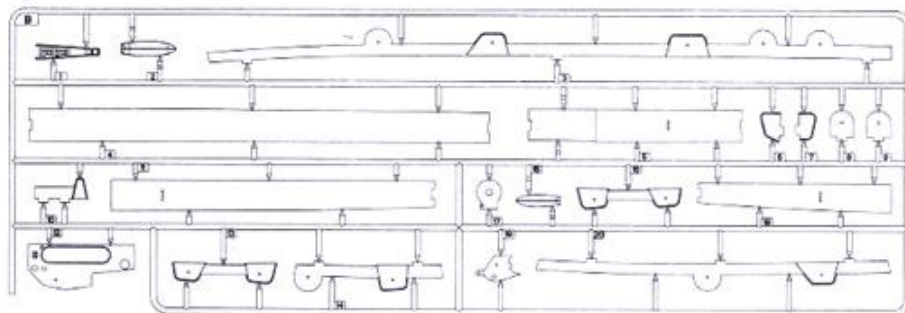
《甲板》
Deck



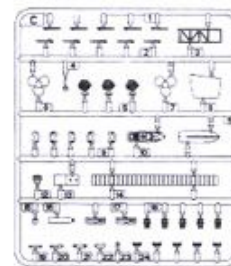
A



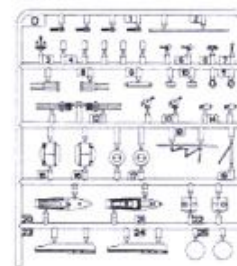
B



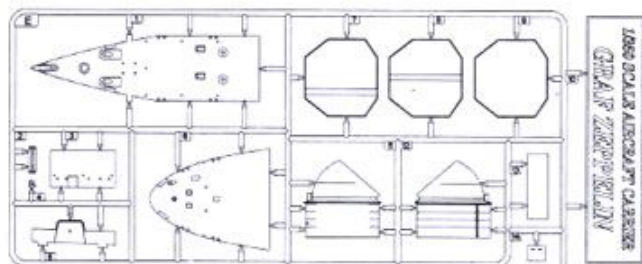
Cx2



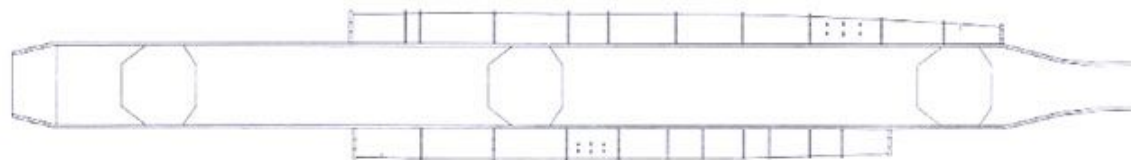
Dx4



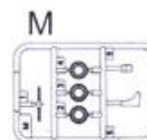
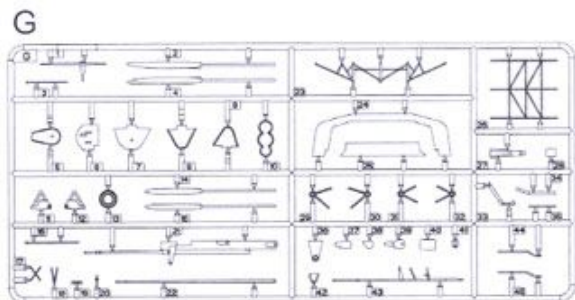
E



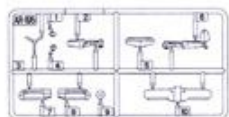
F



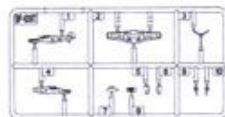
部品图Parts



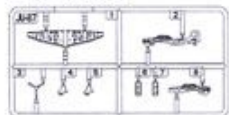
AR-195x5



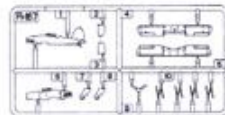
BF-109Tx5



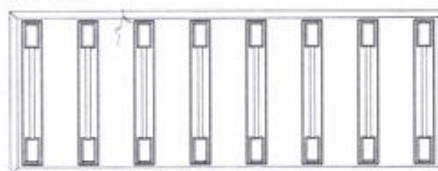
JU-87x5



FI-167x5



Stand



《蚀刻片》Ax2
PE-Ax2



《蚀刻片》B
PE-B



《蚀刻片》C
PE-C



《蚀刻片》D
PE-D



《水贴纸》
Decal



AR-195x5



BF-109



JU-87



FI-167



《锚链》L:320
Chain



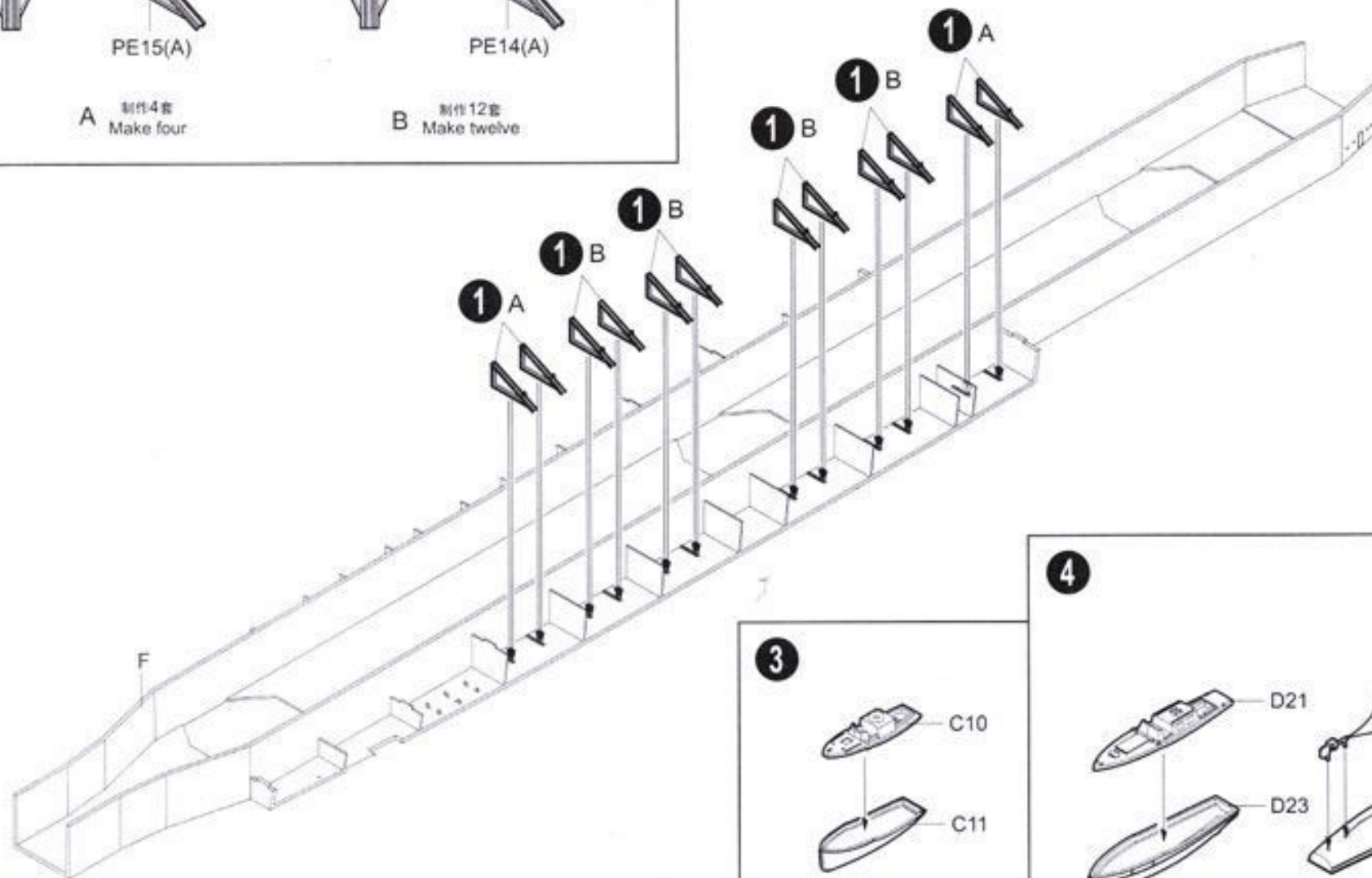
1



A 制作4套
Make four

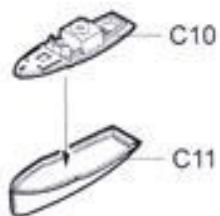
B 制作12套
Make twelve

2

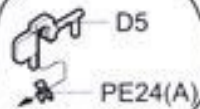


4

3

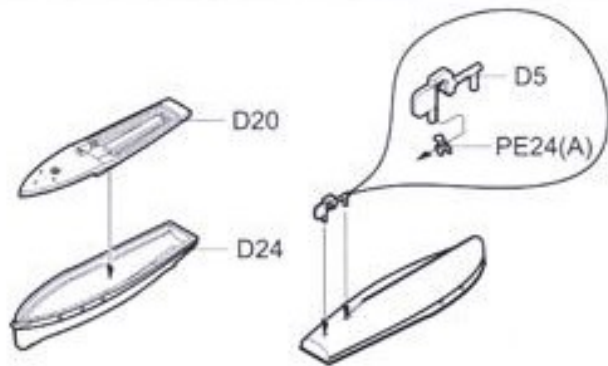


制作2套
Make two



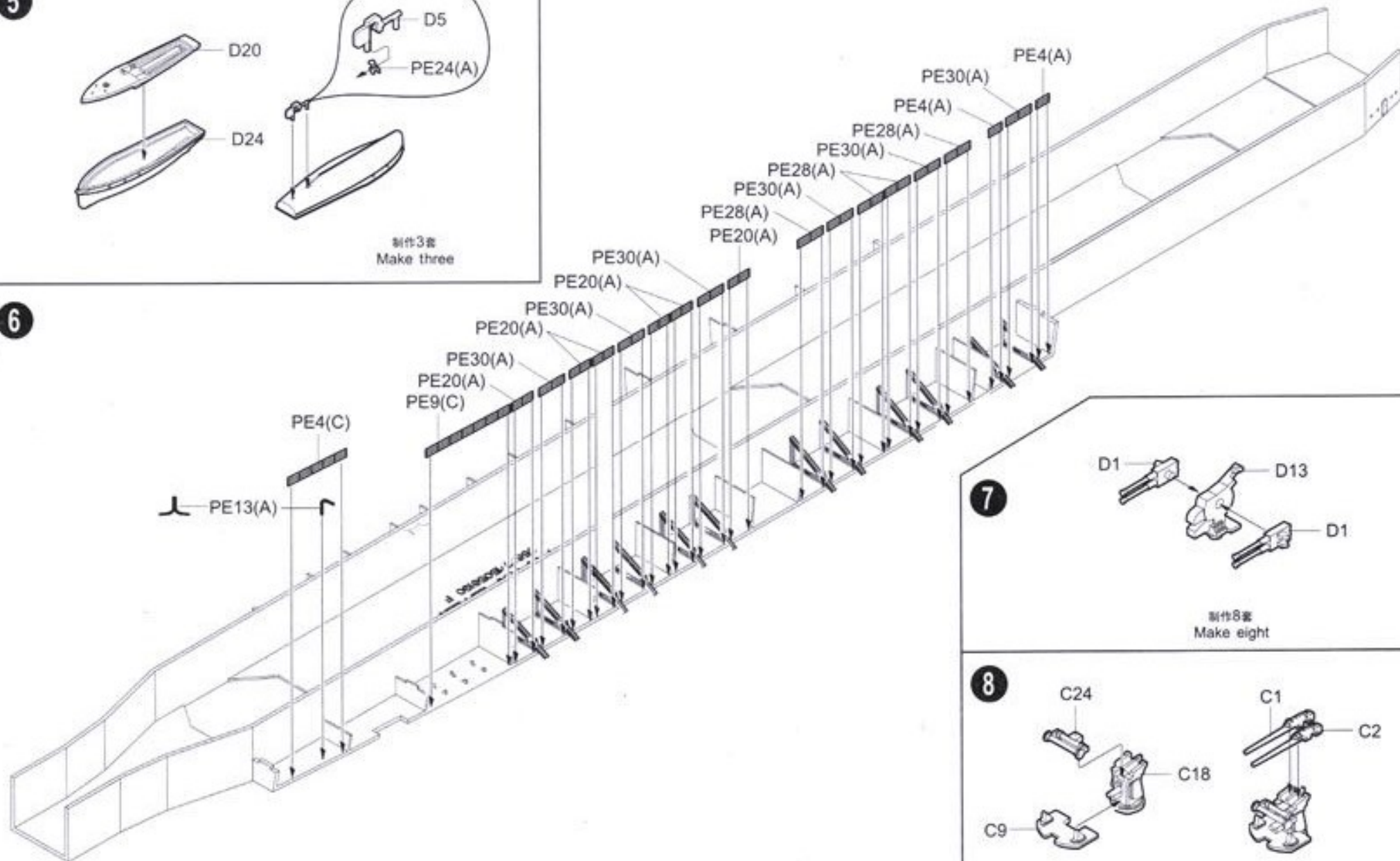
制作3套
Make three

5

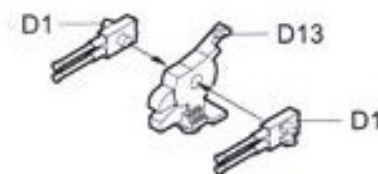


製作3個
Make three

6

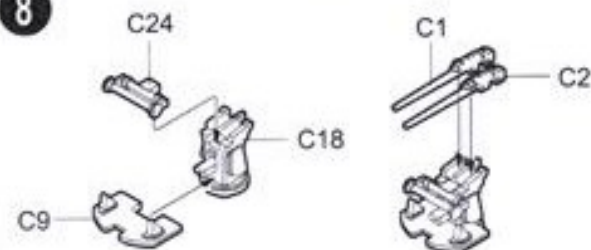


7



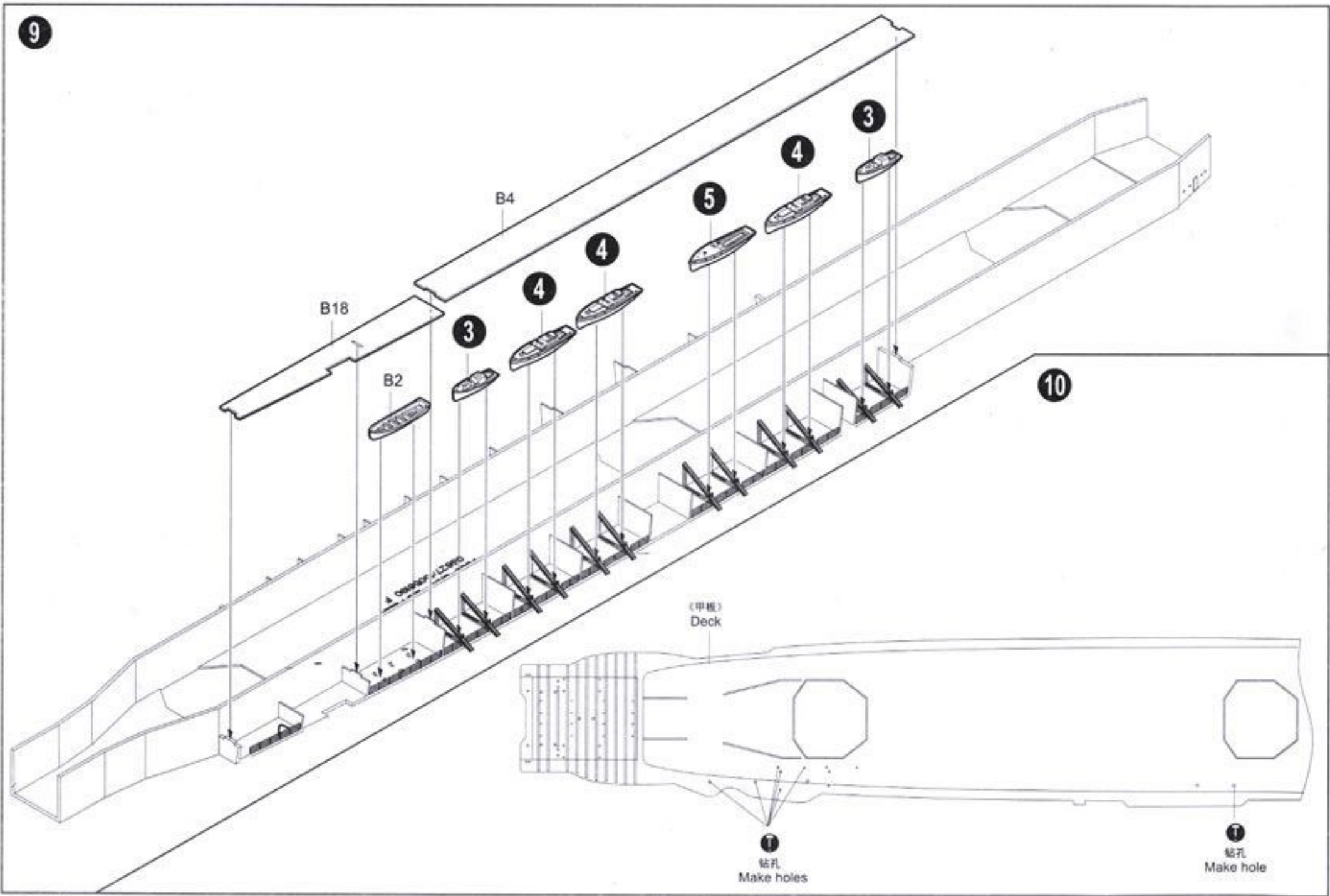
製作8個
Make eight

8

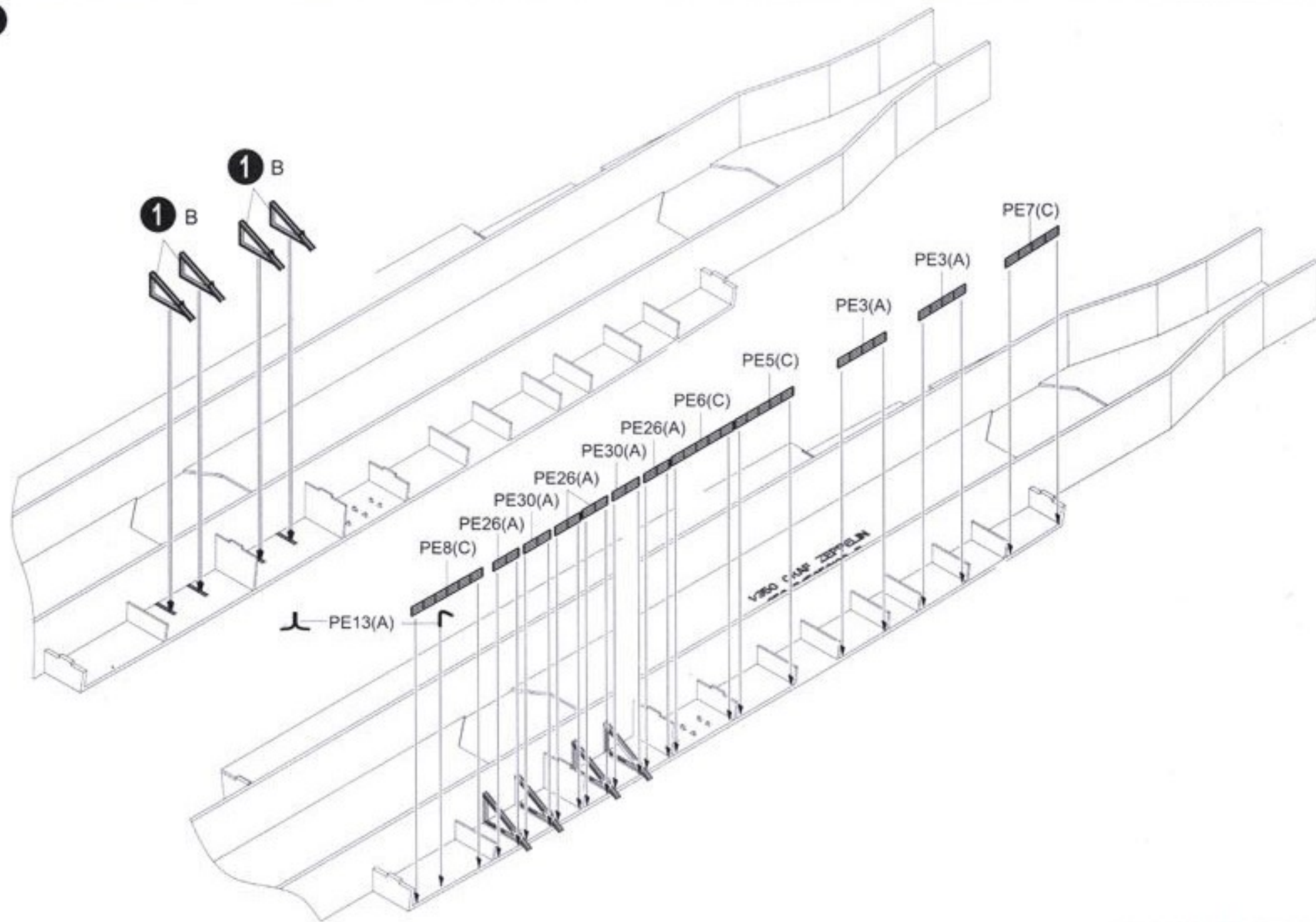


製作10個
Make ten

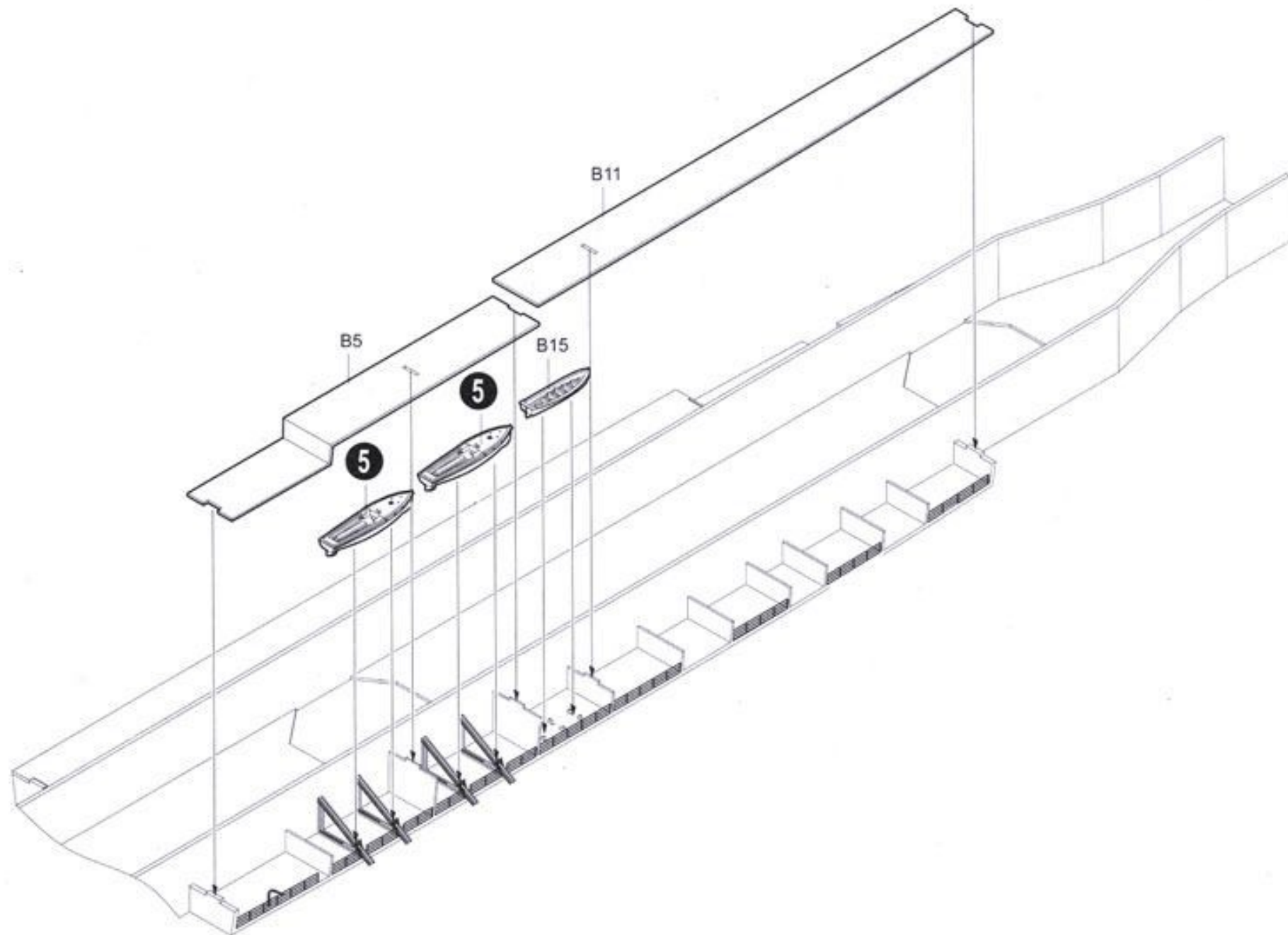
9



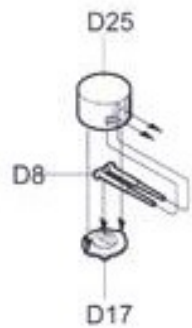
11



12

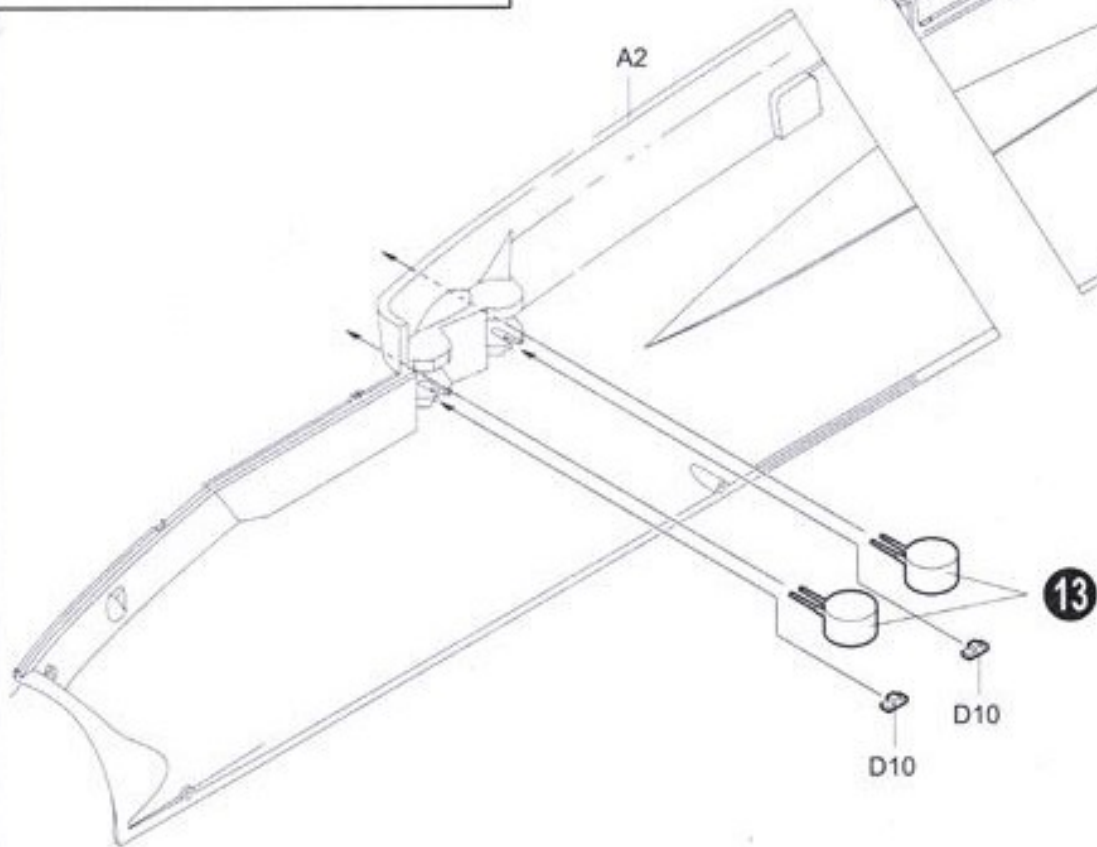
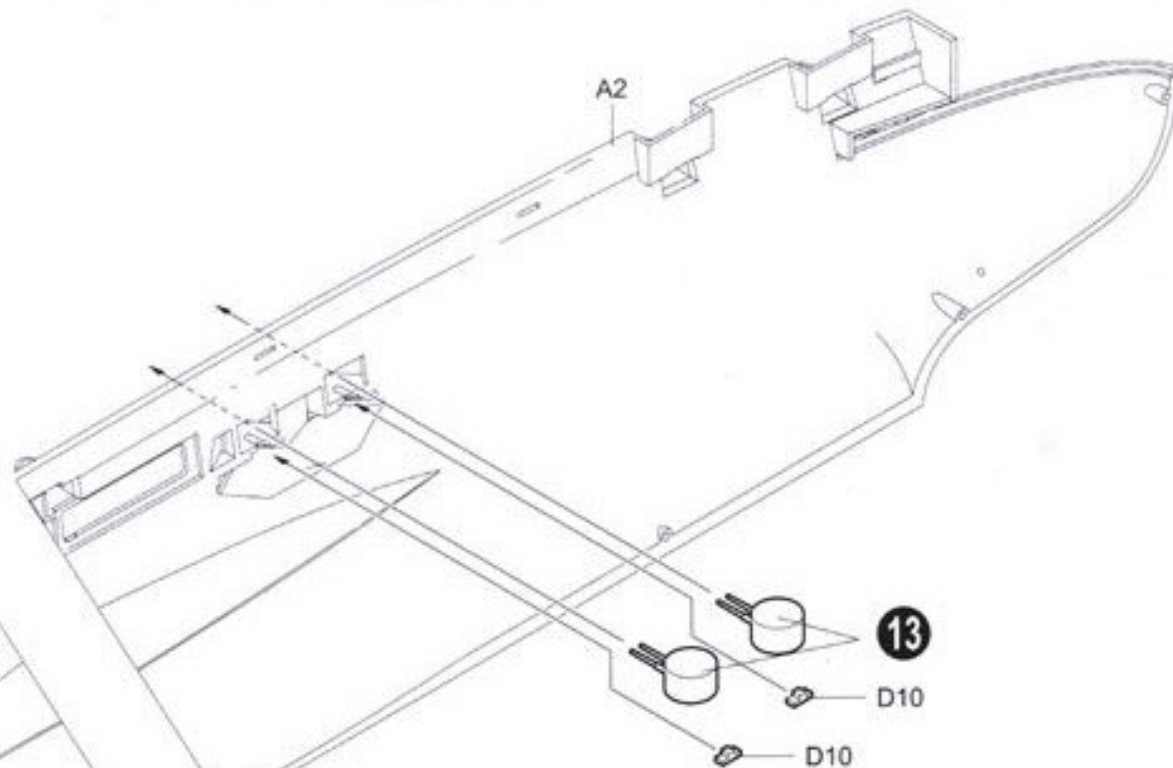


13

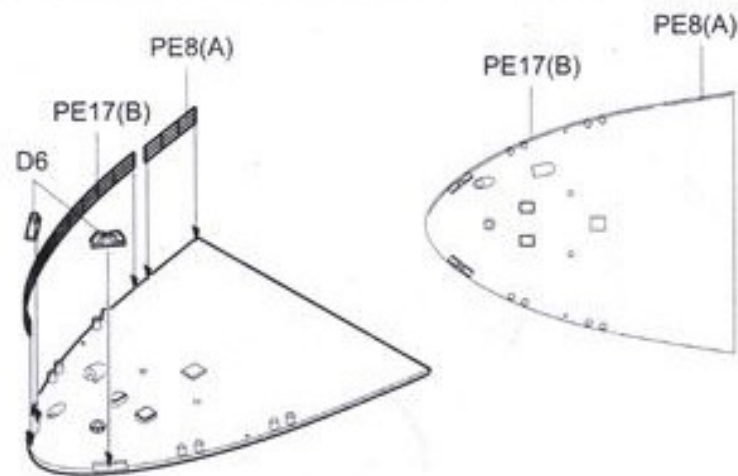


制作8套
Make eight

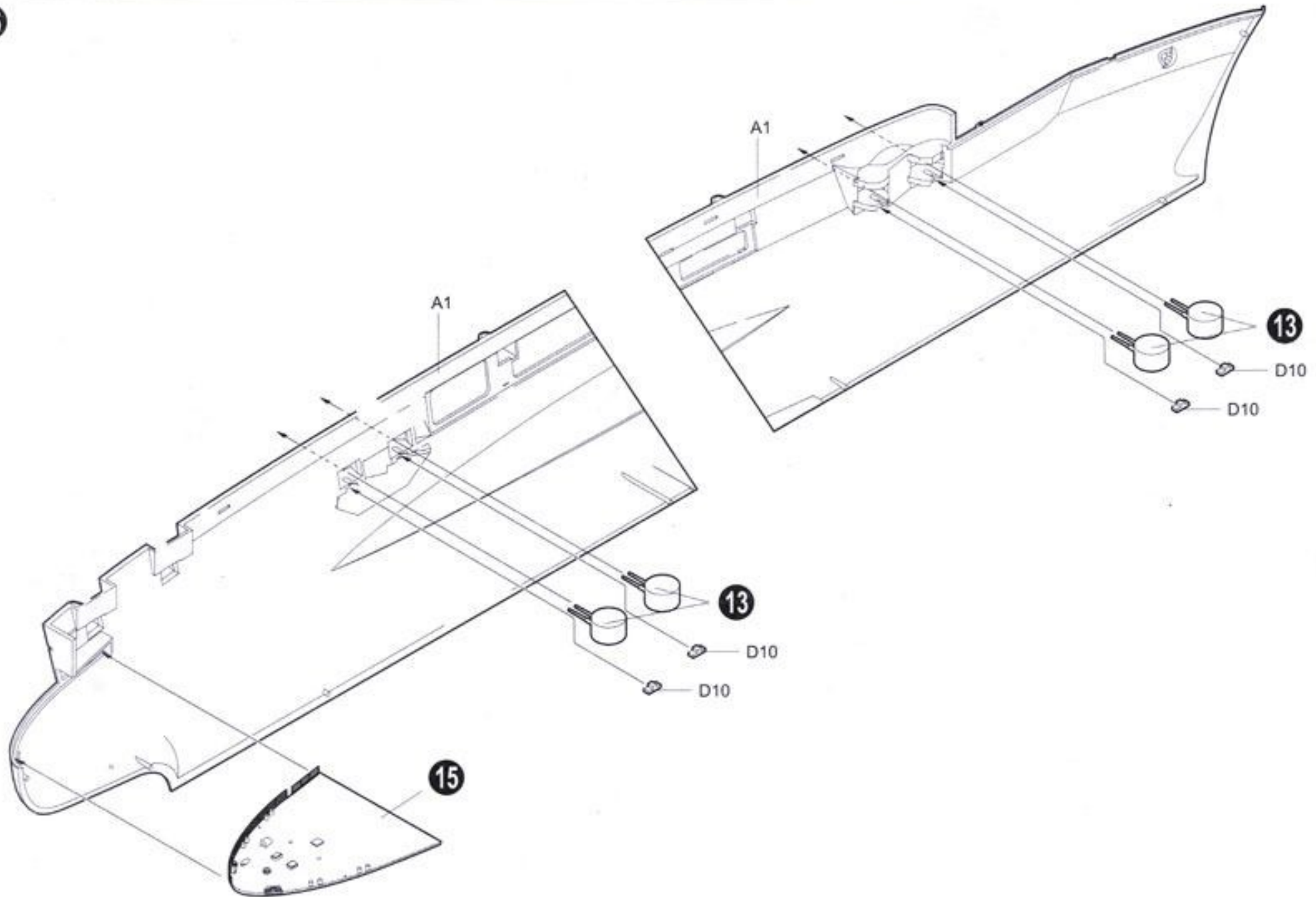
14



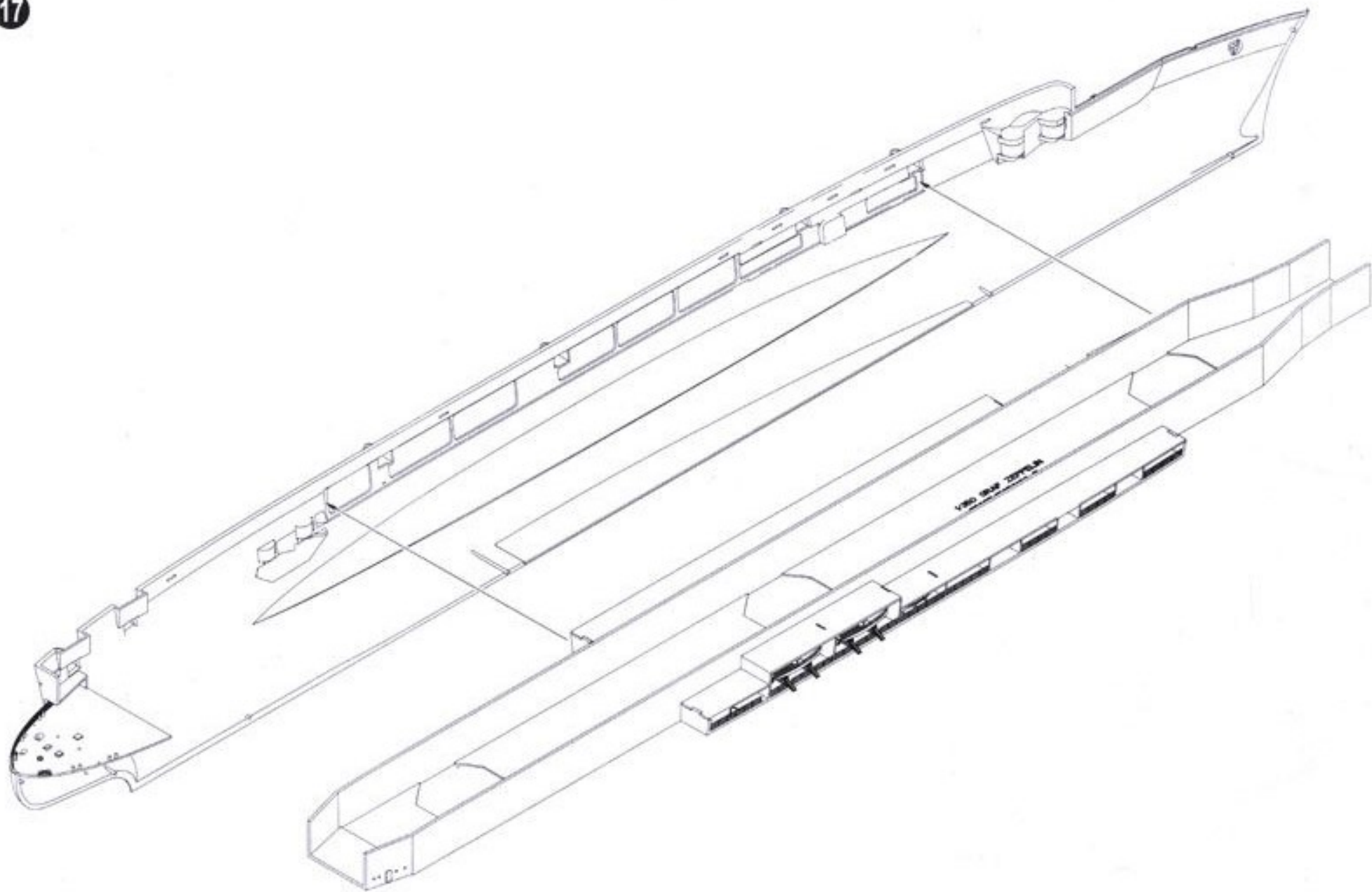
15

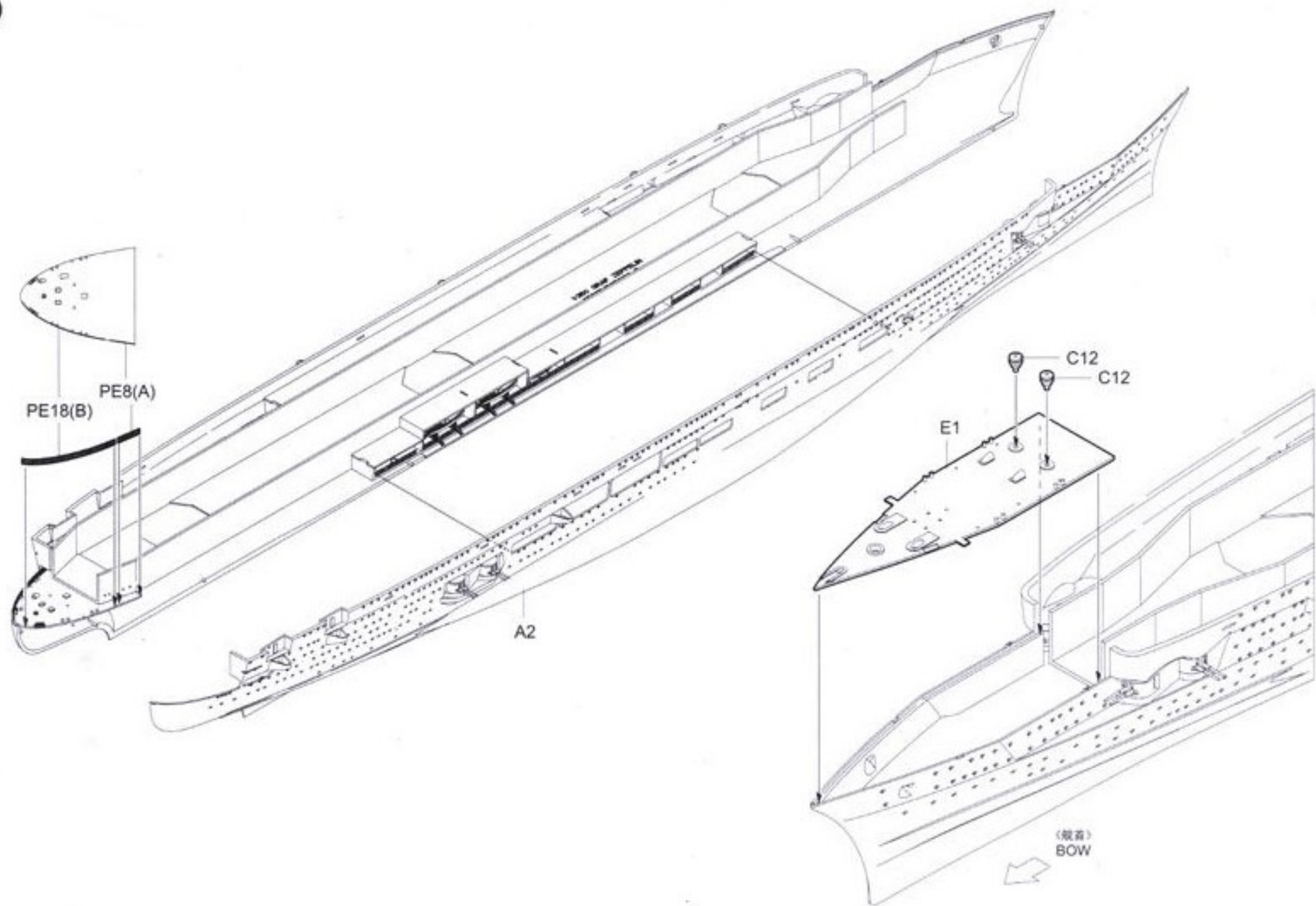


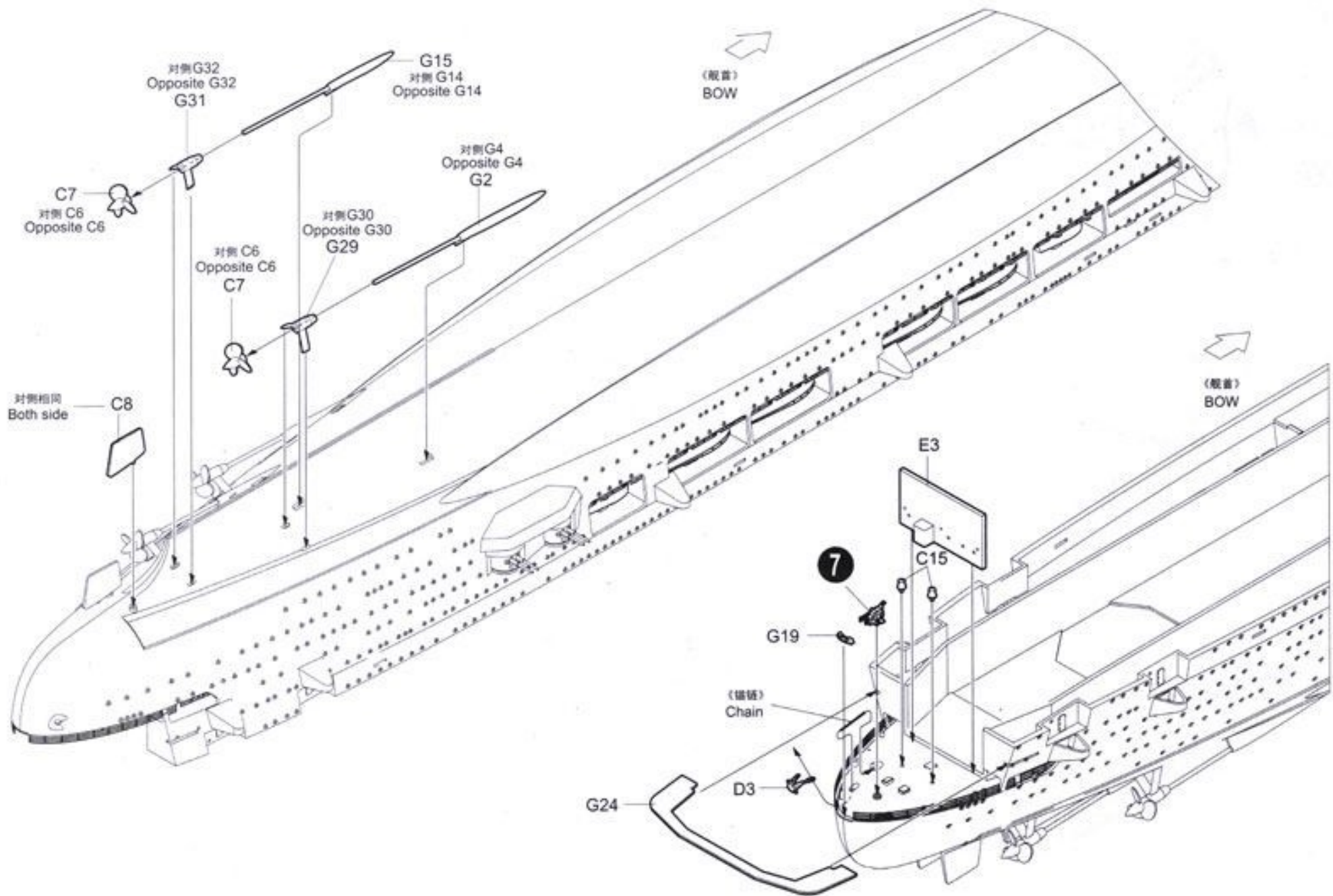
16



17

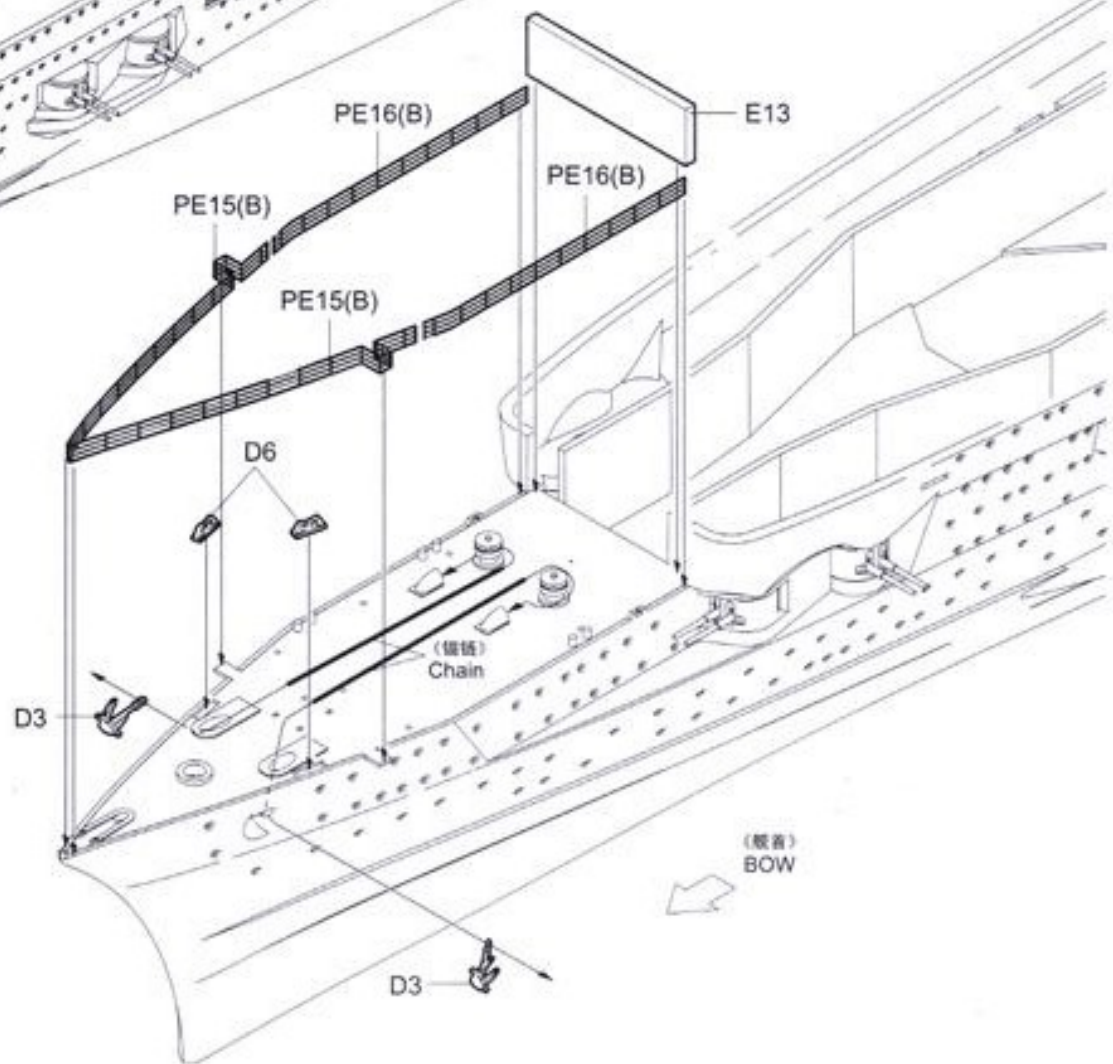
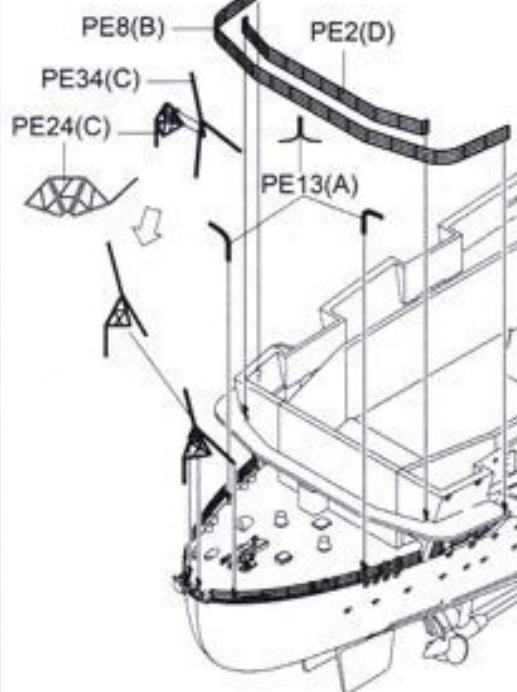




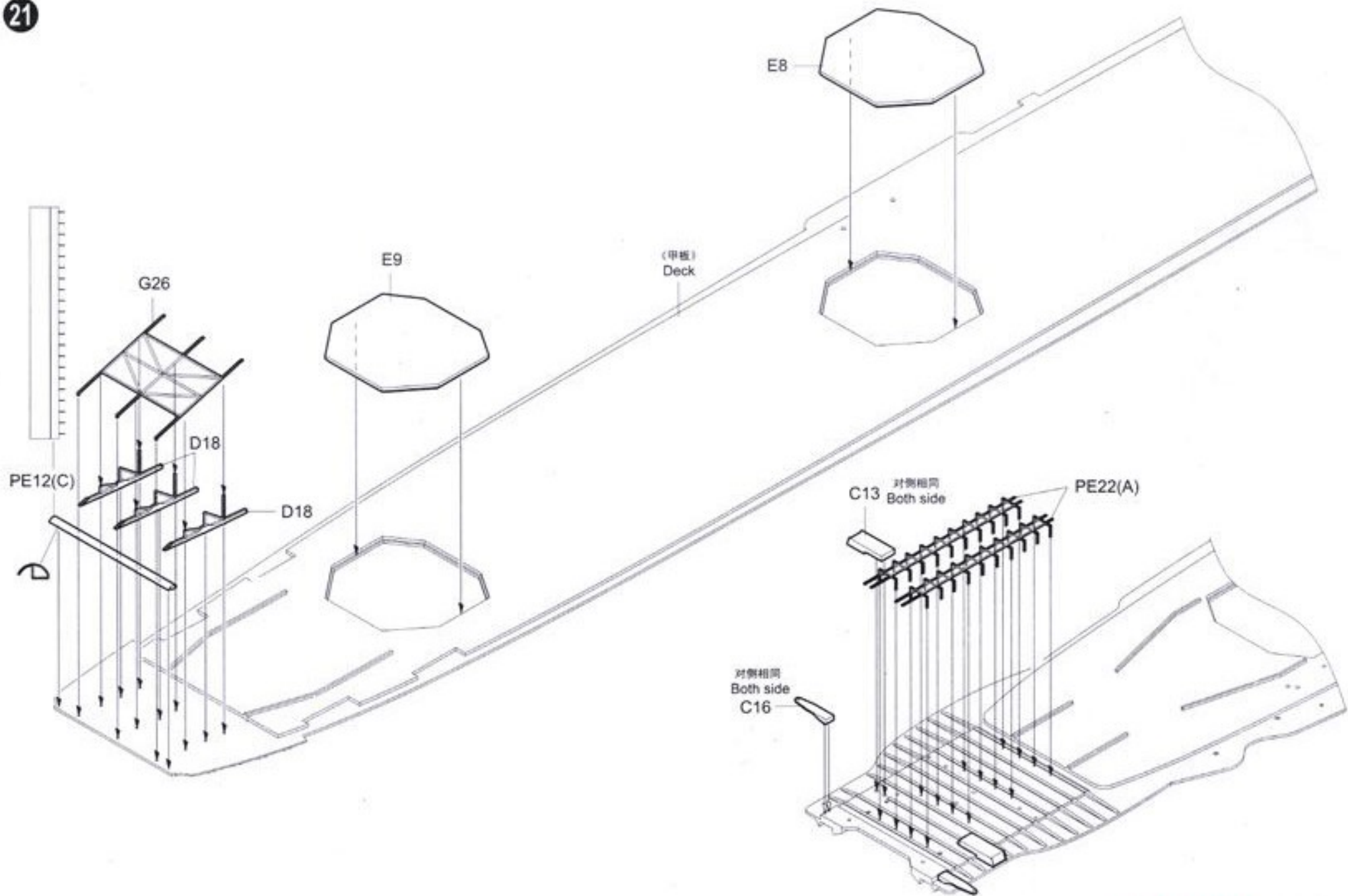


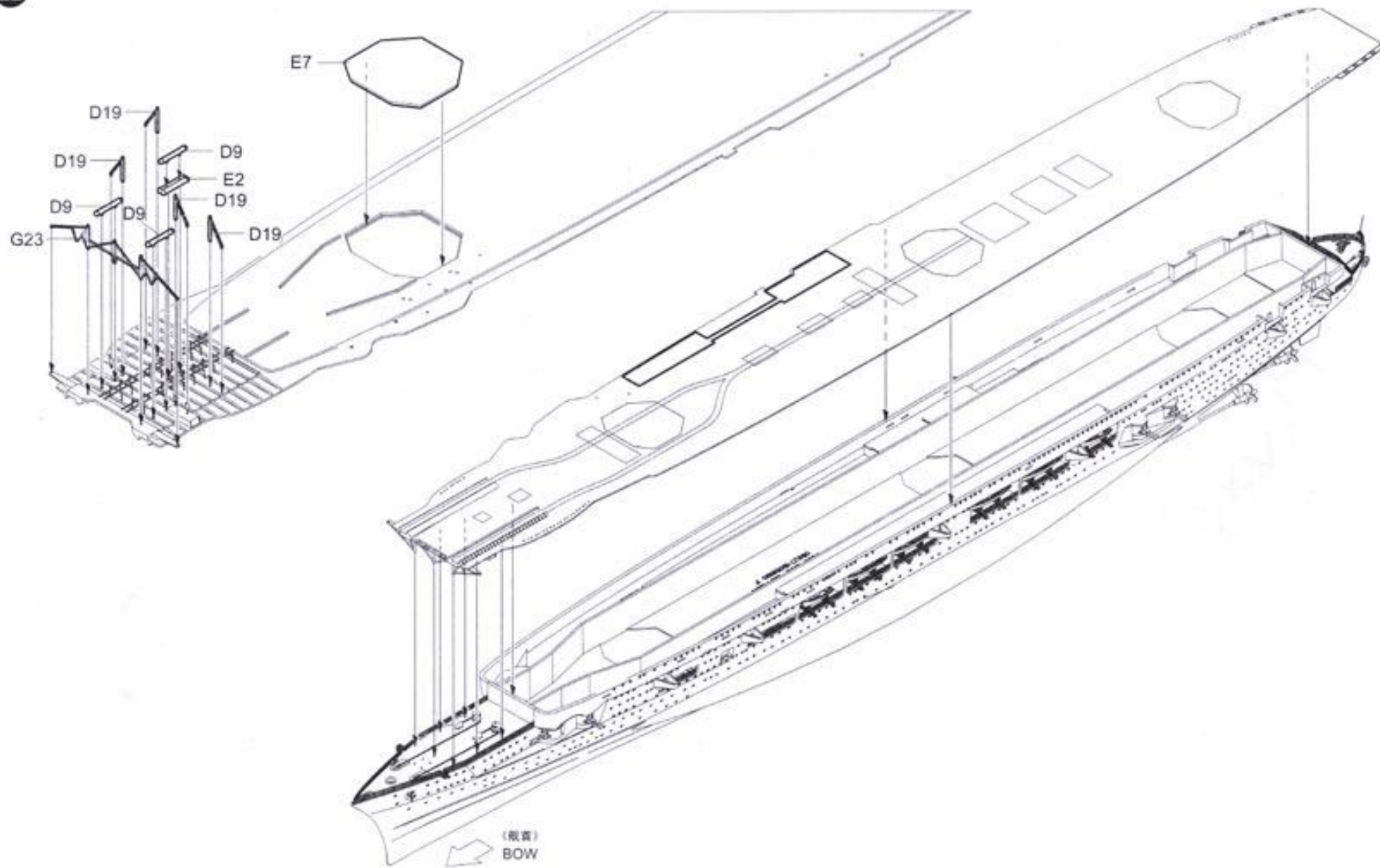
20

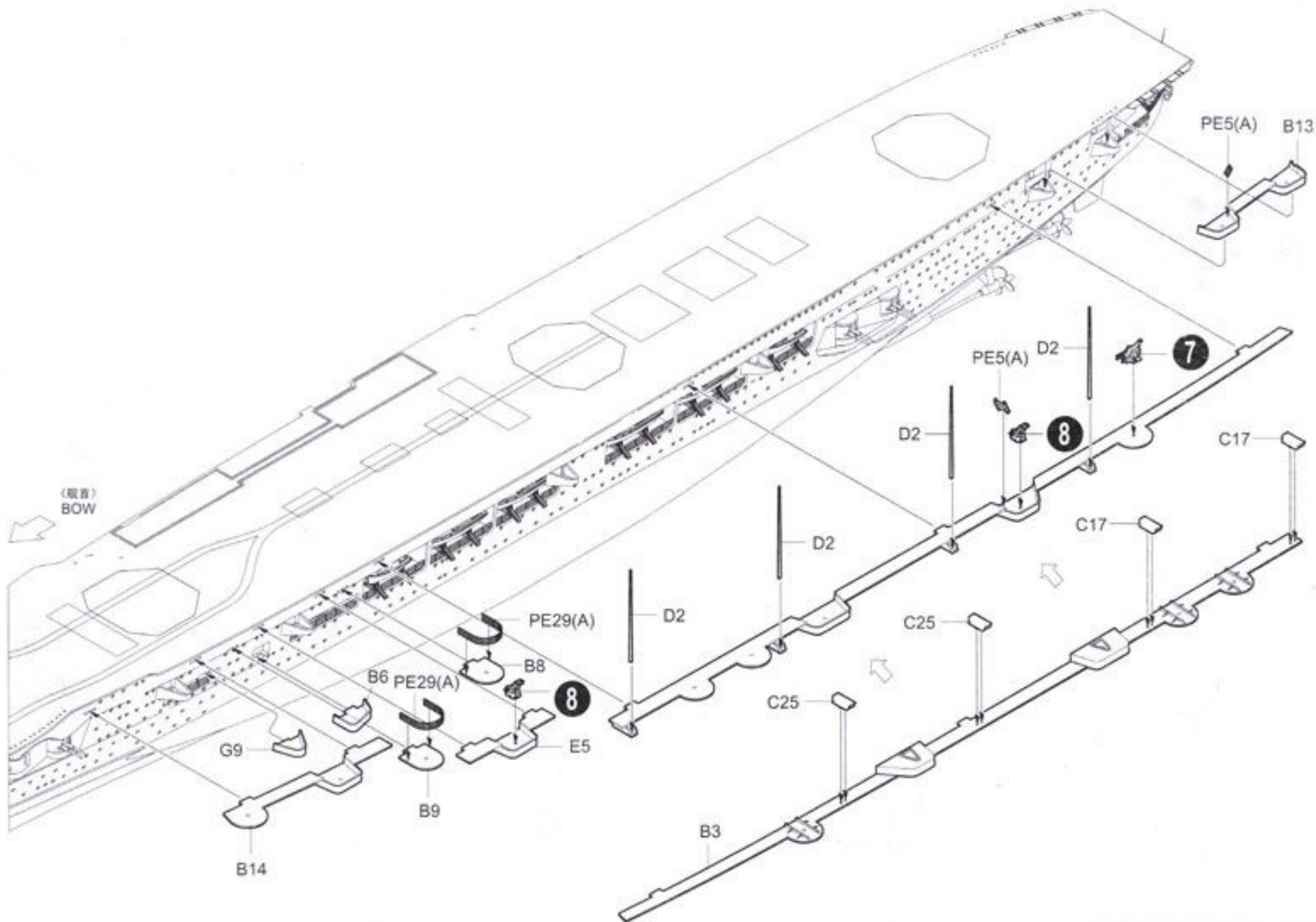
(船首)
BOW



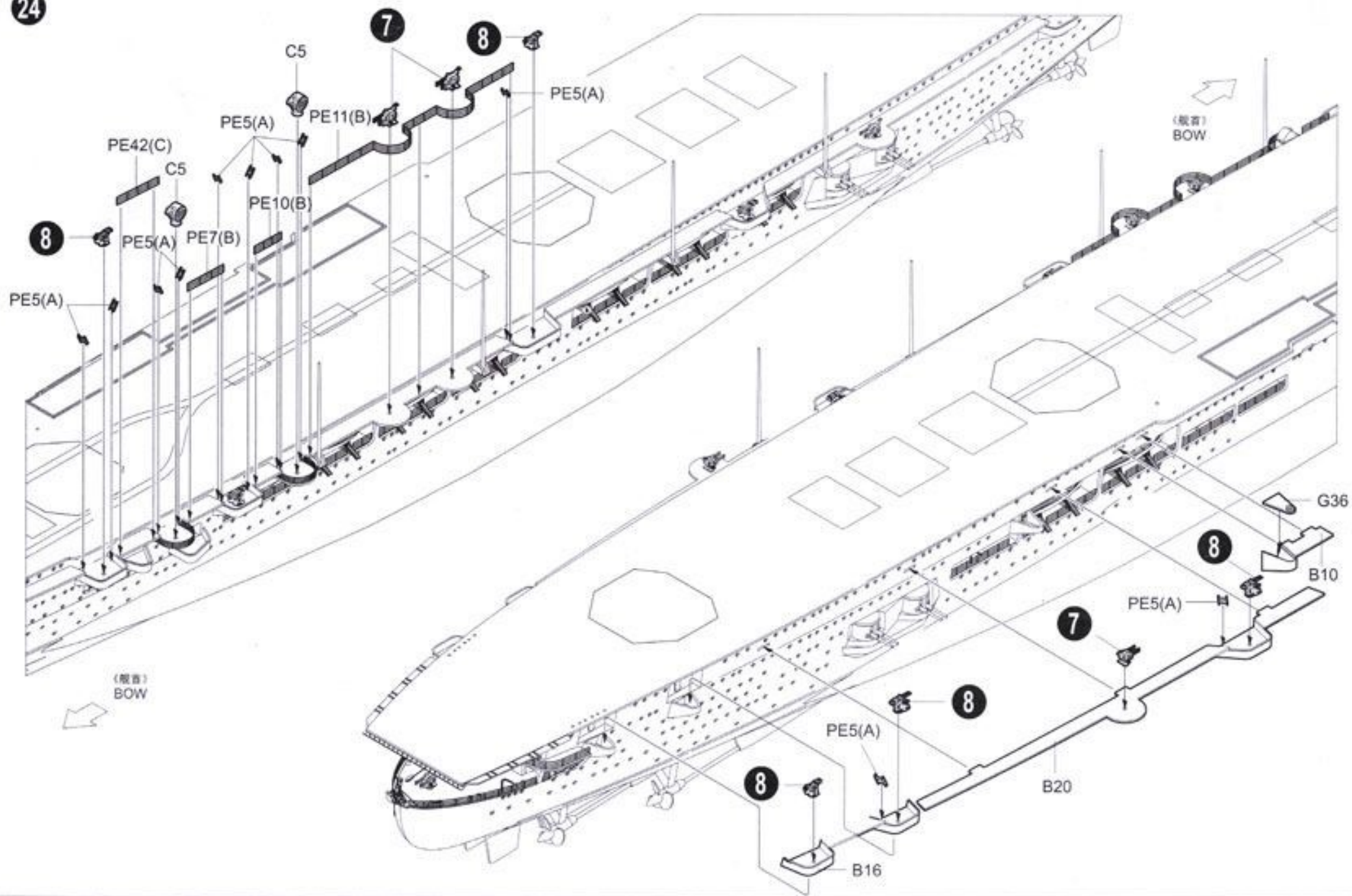
(船首)
BOW



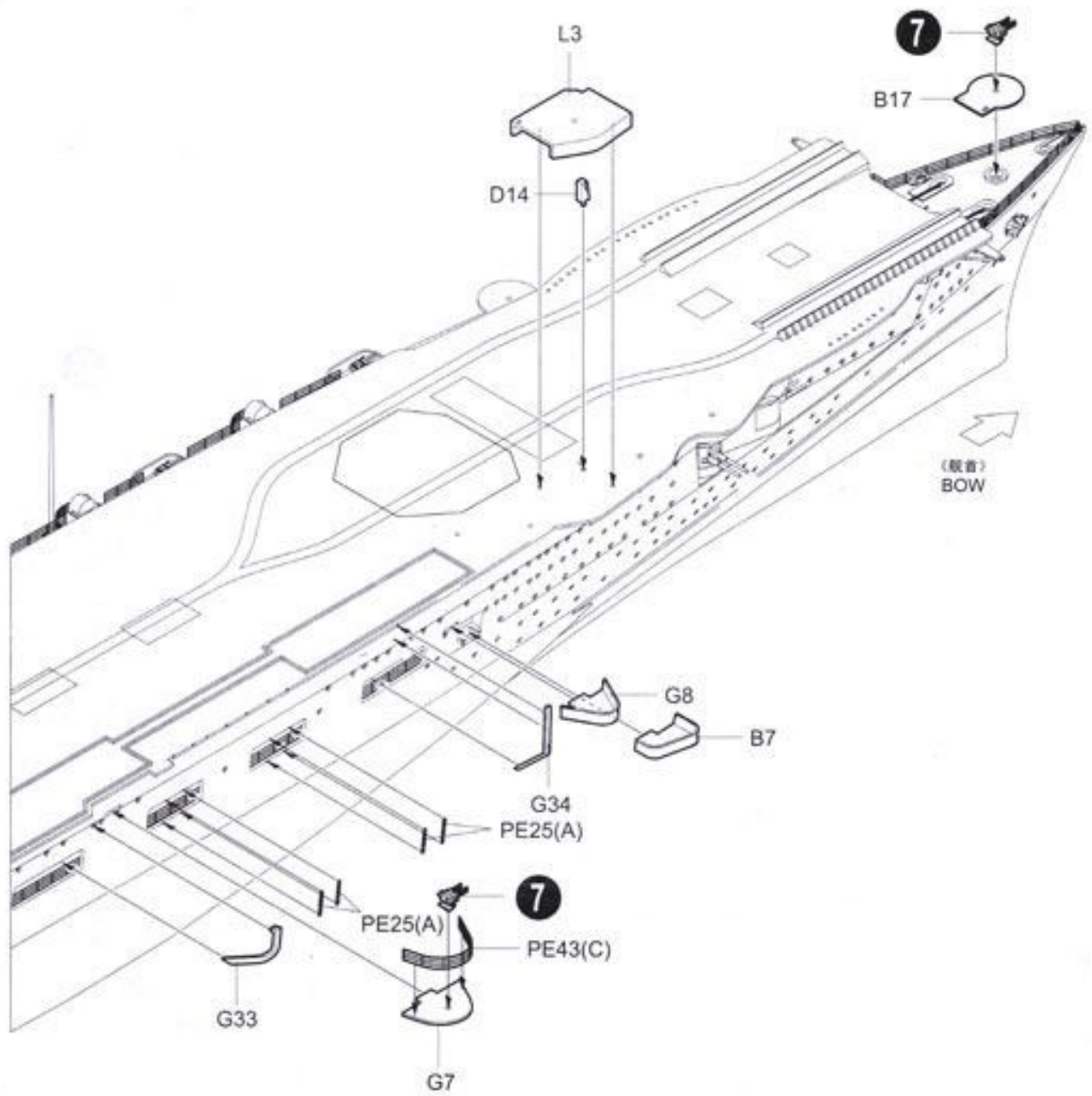




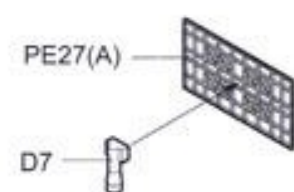
24



25

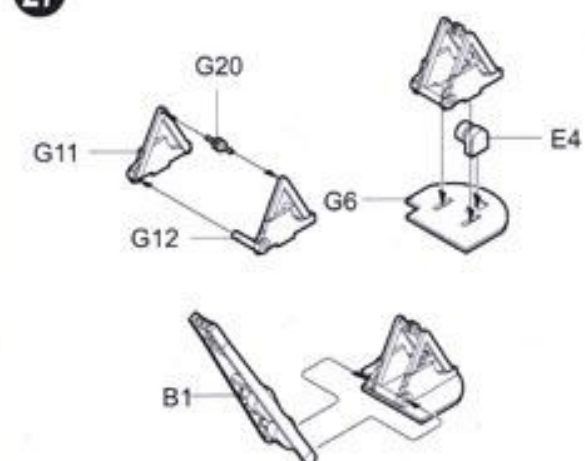


26

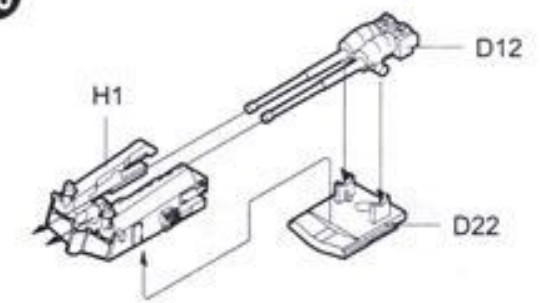


制作4套
Make four

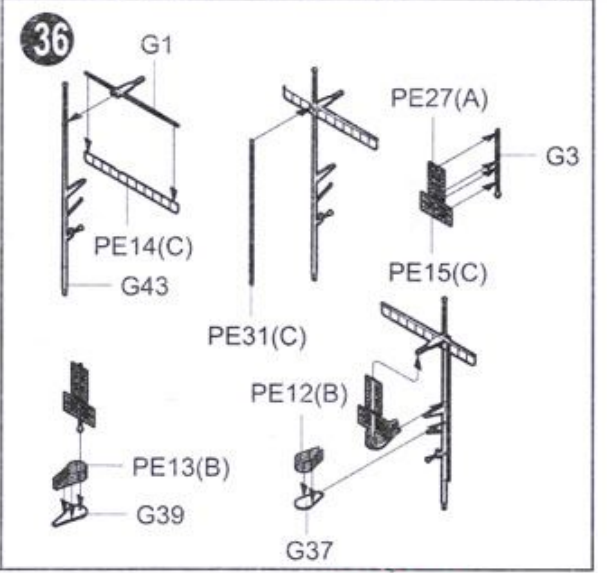
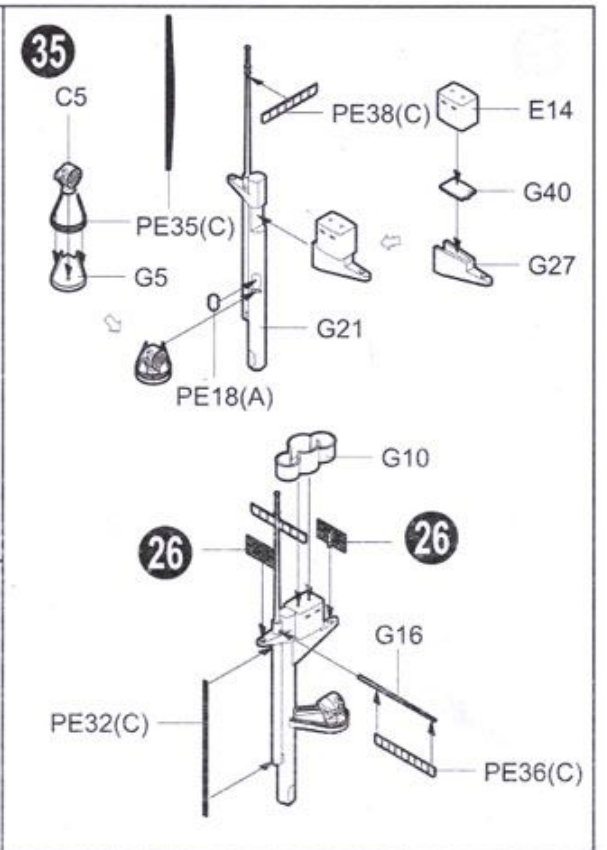
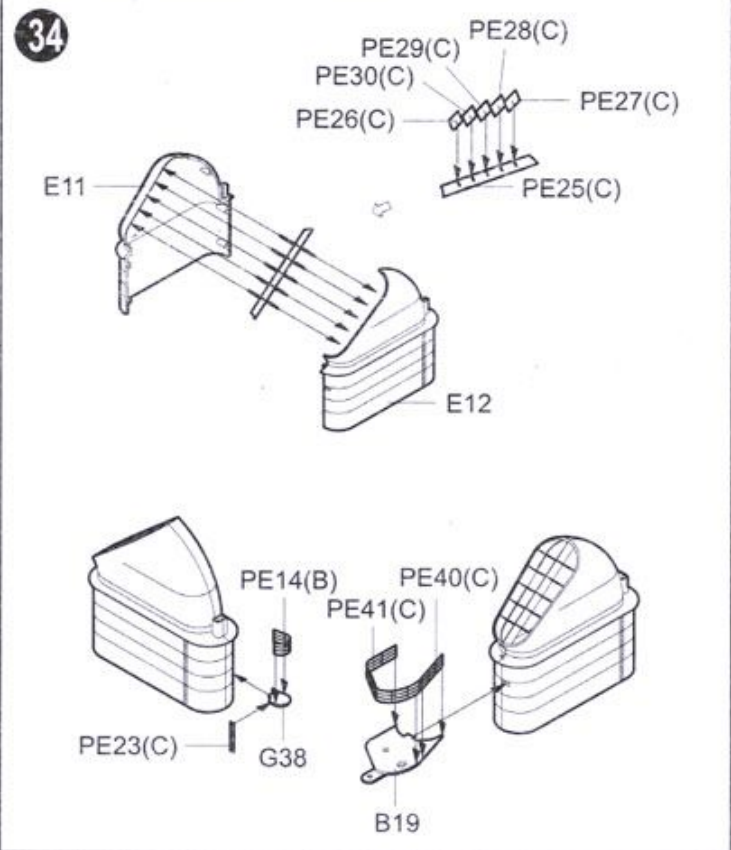
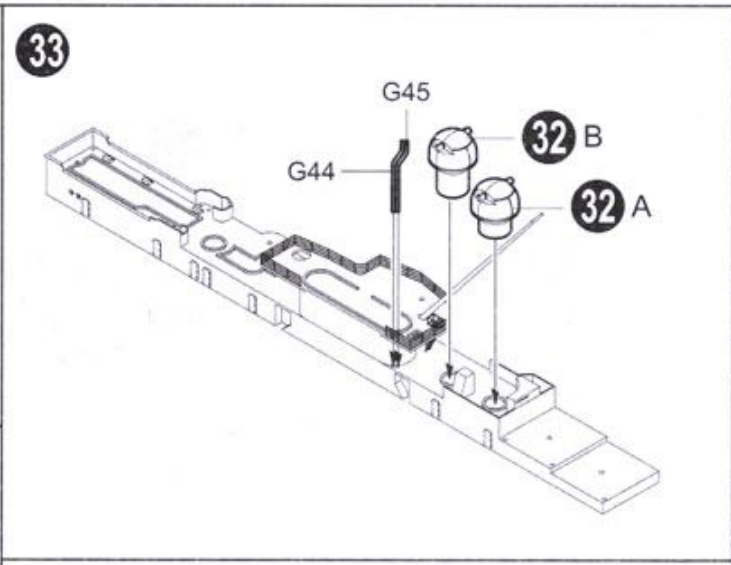
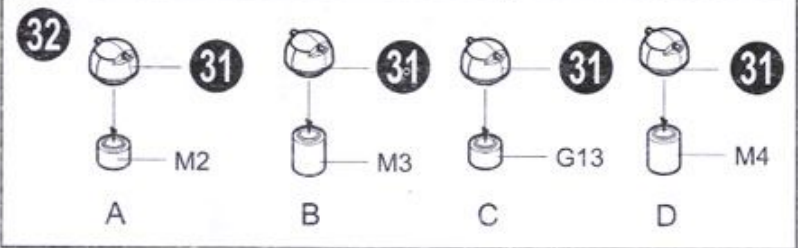
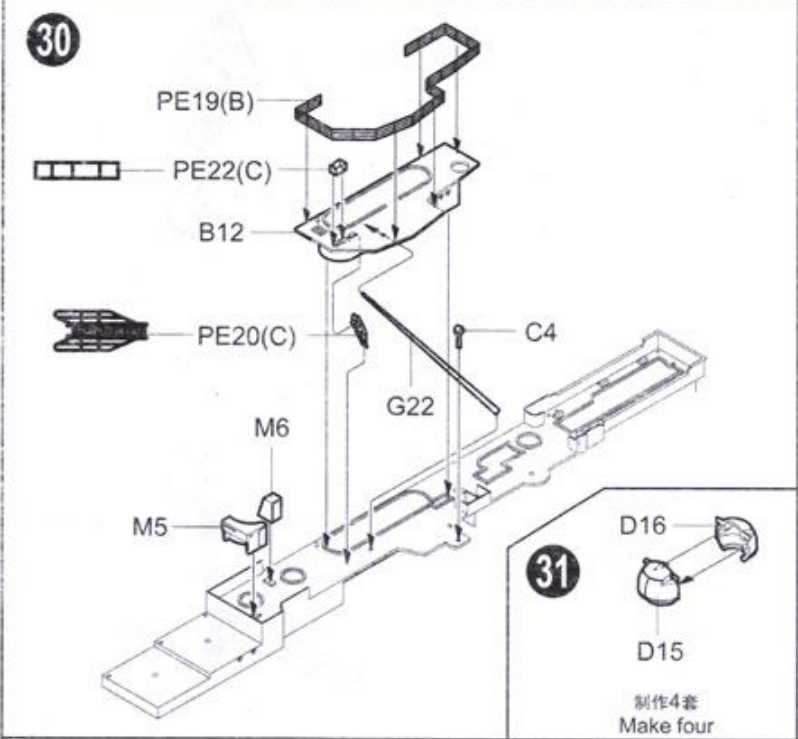
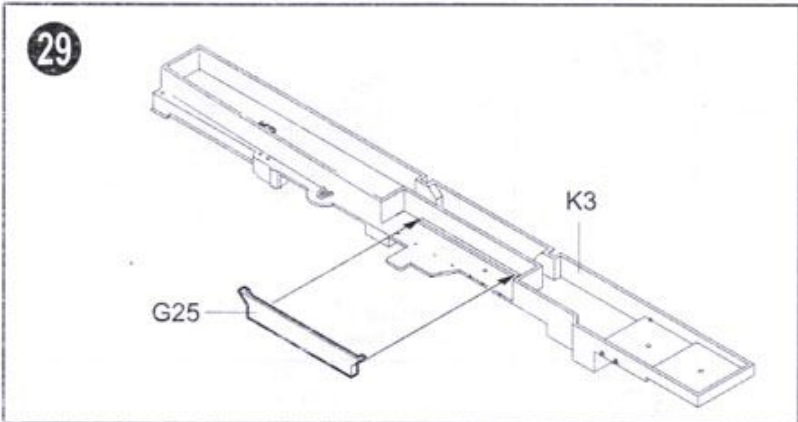
27

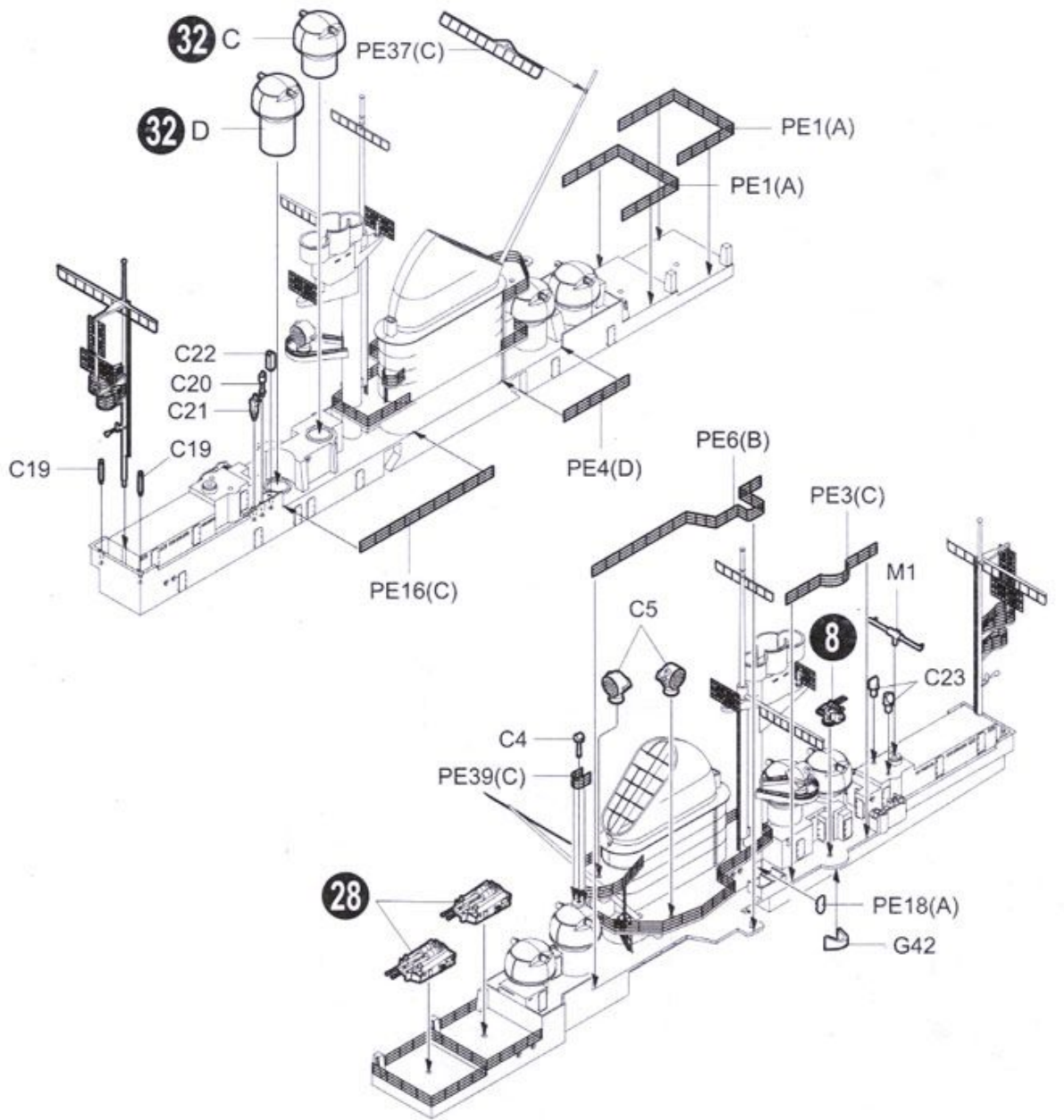
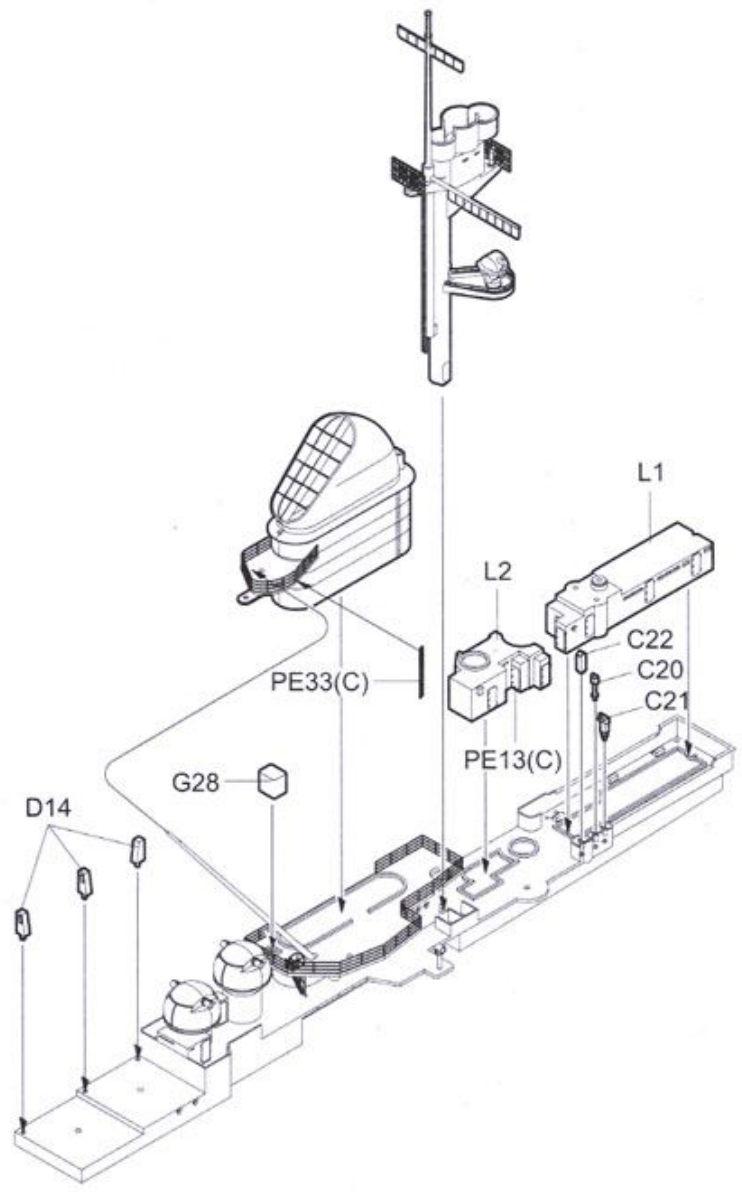


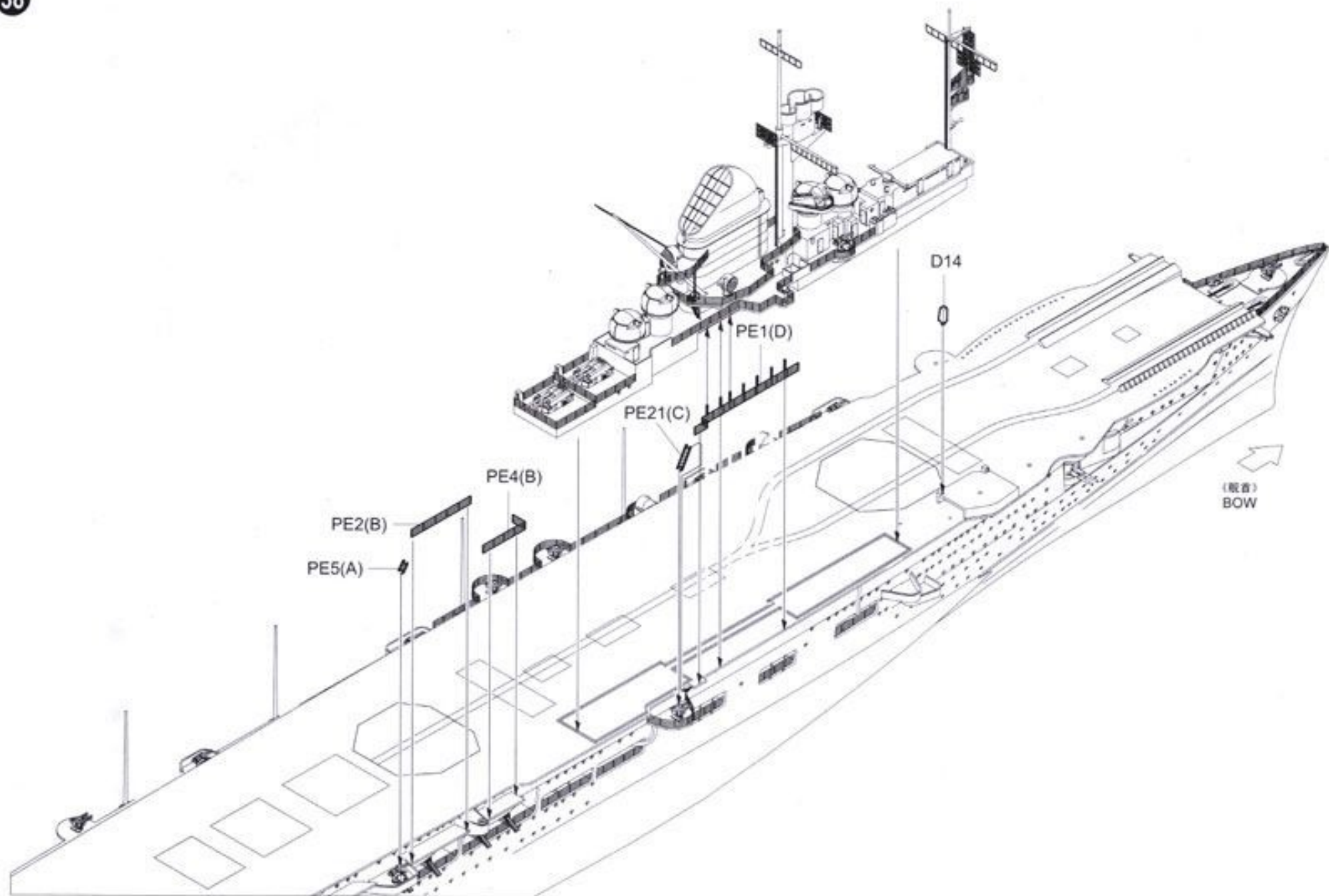
28

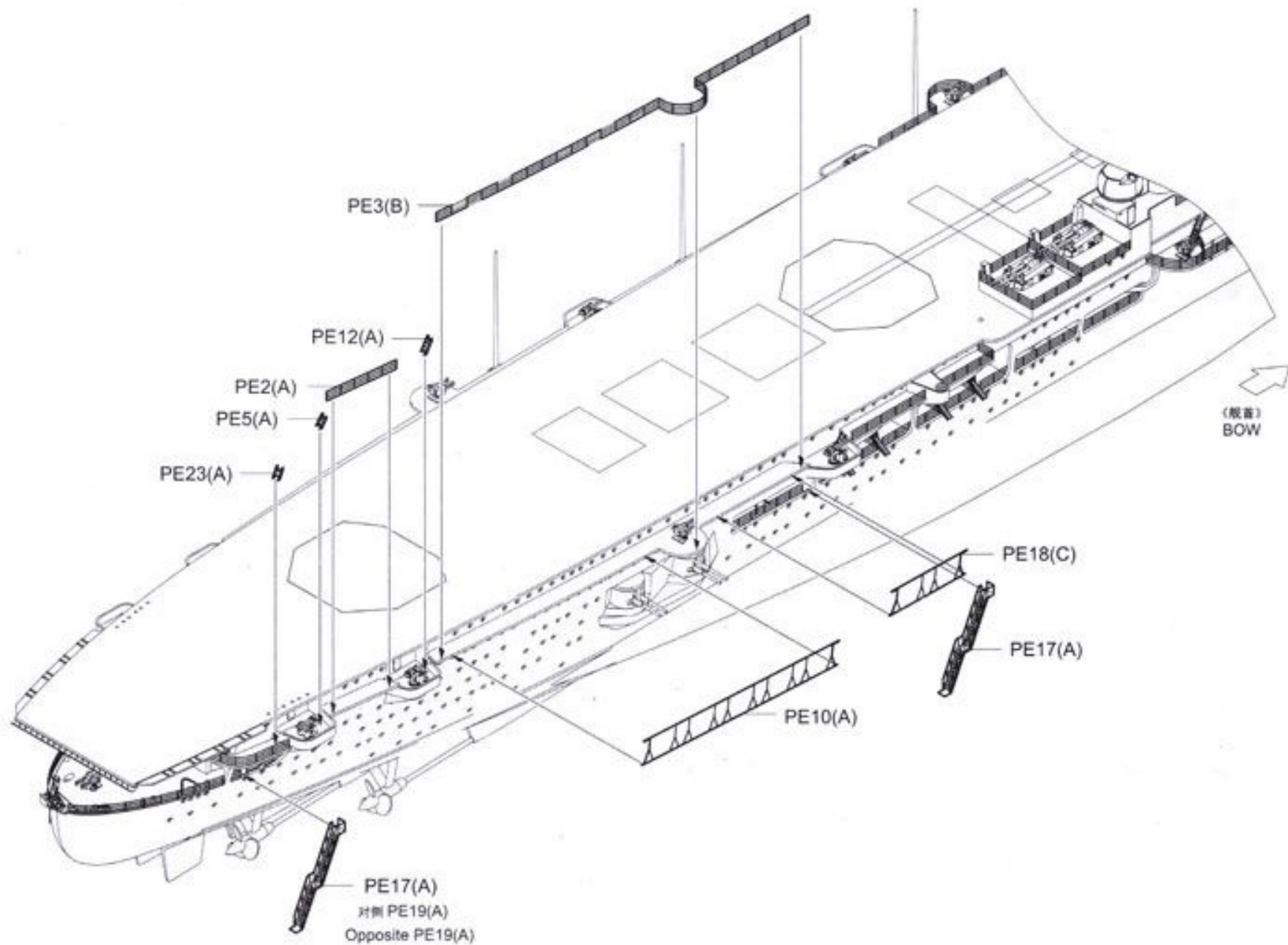


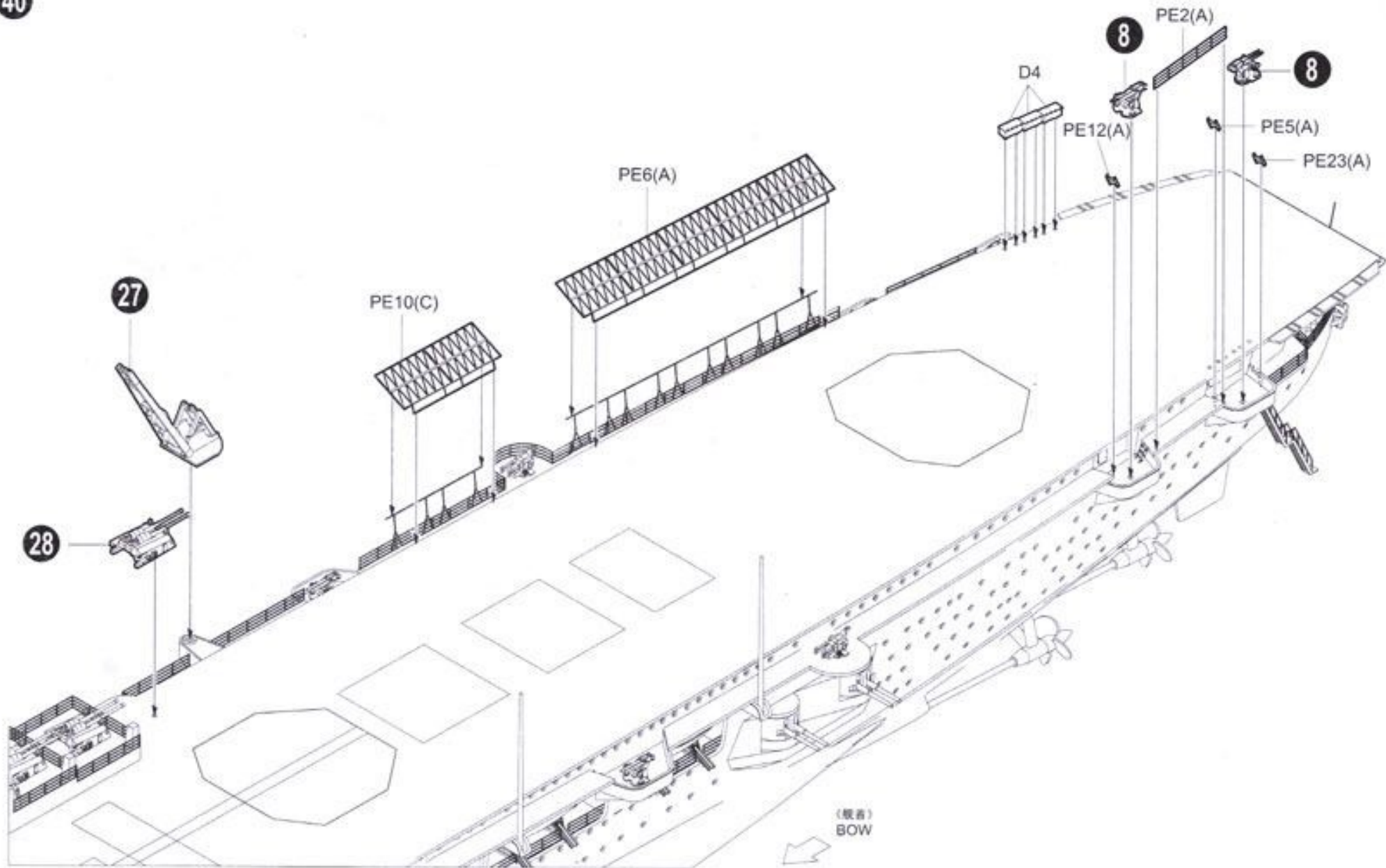
制作6套
Make six

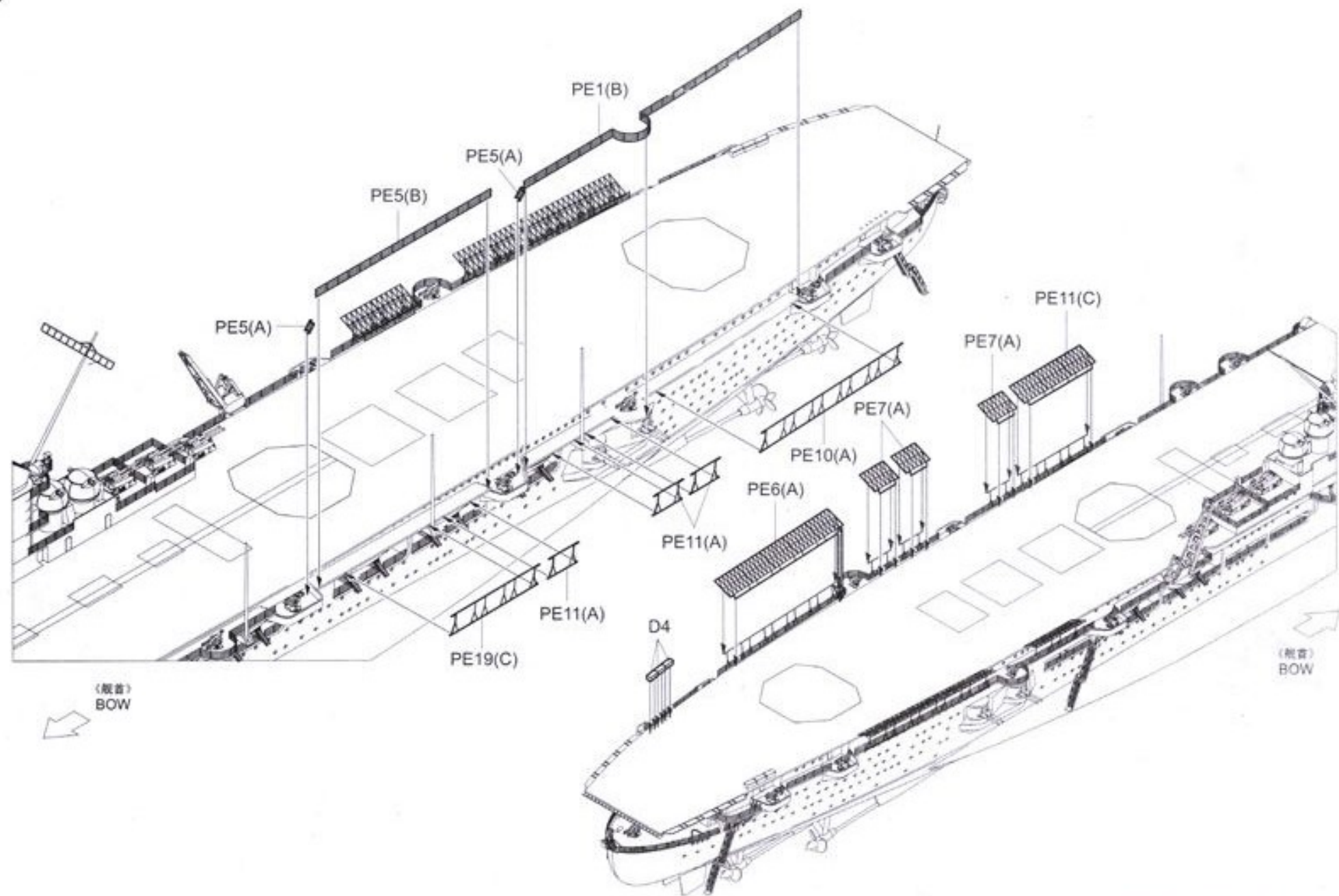




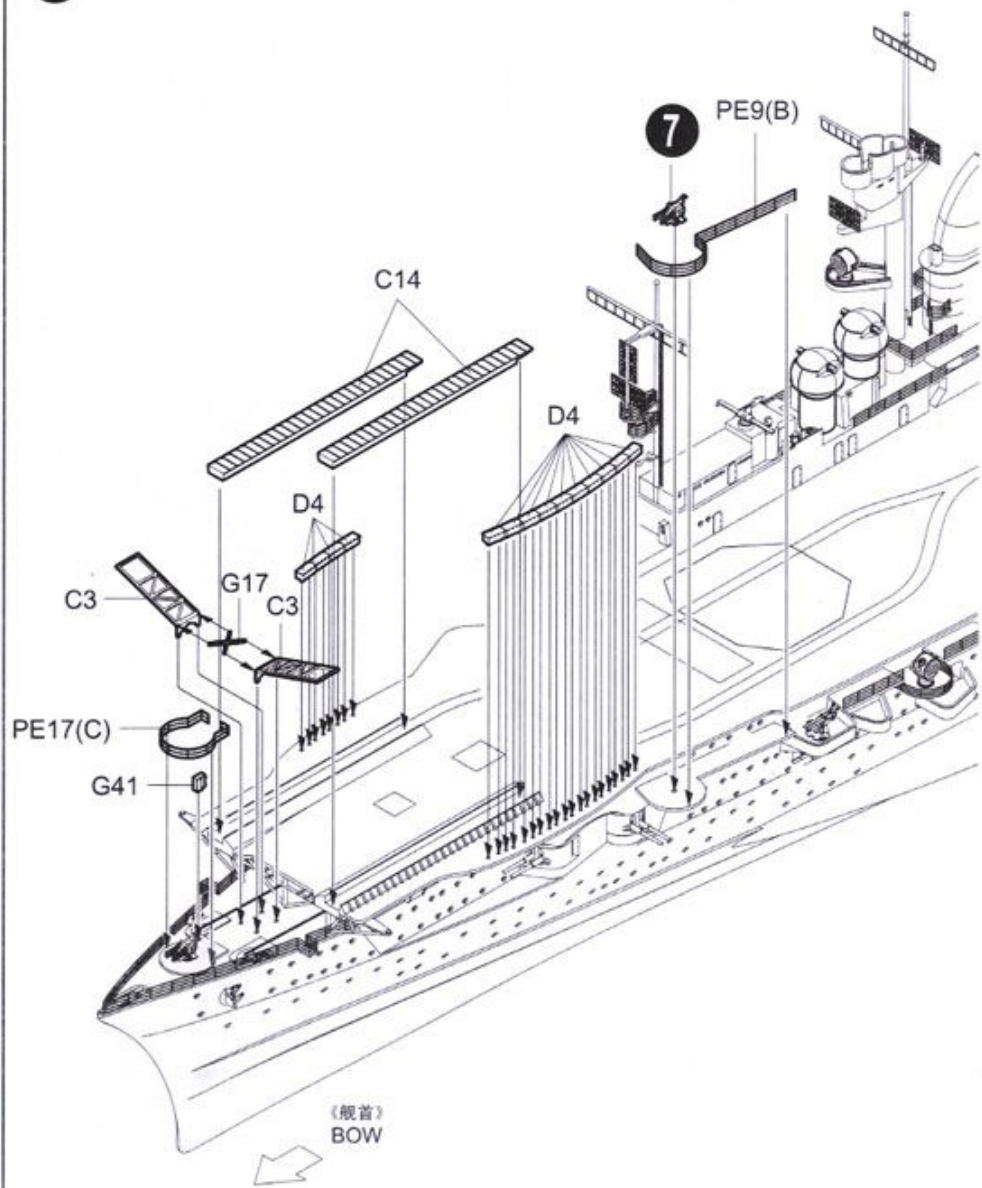






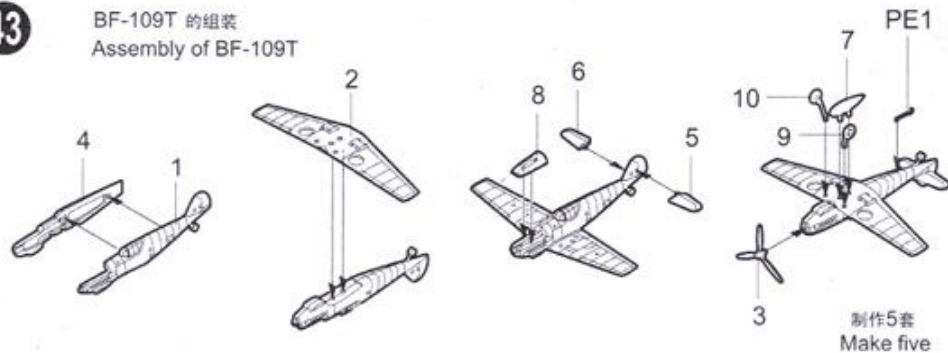


42



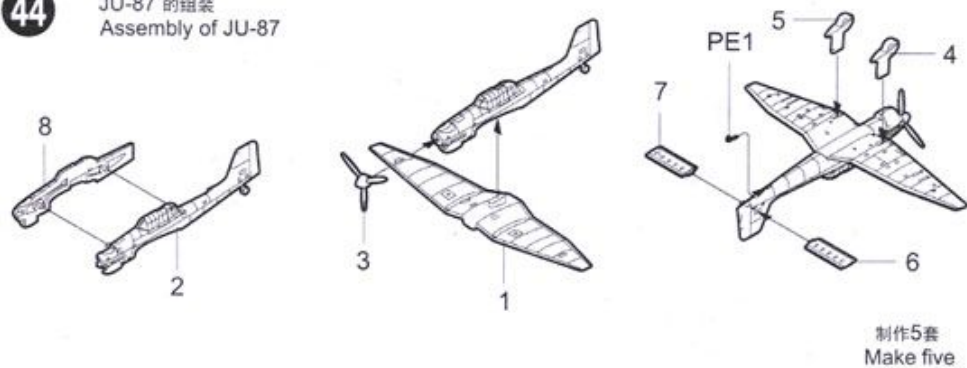
43

BF-109T 的組裝
Assembly of BF-109T



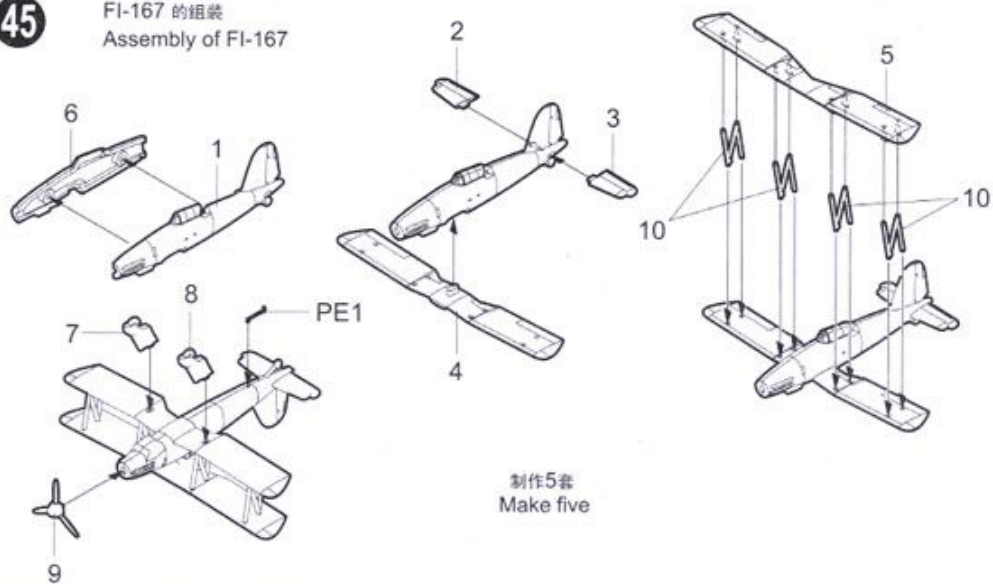
44

JU-87 的組裝
Assembly of JU-87



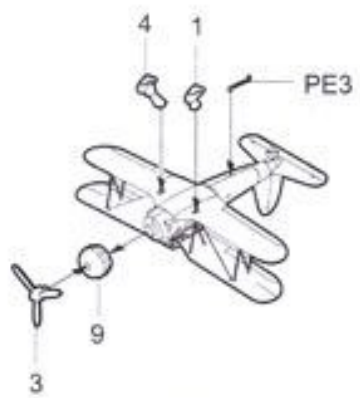
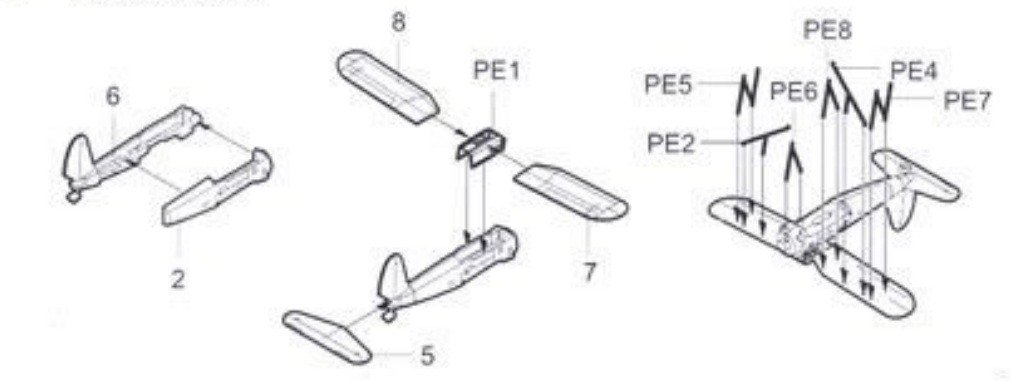
45

FI-167 的組裝
Assembly of FI-167



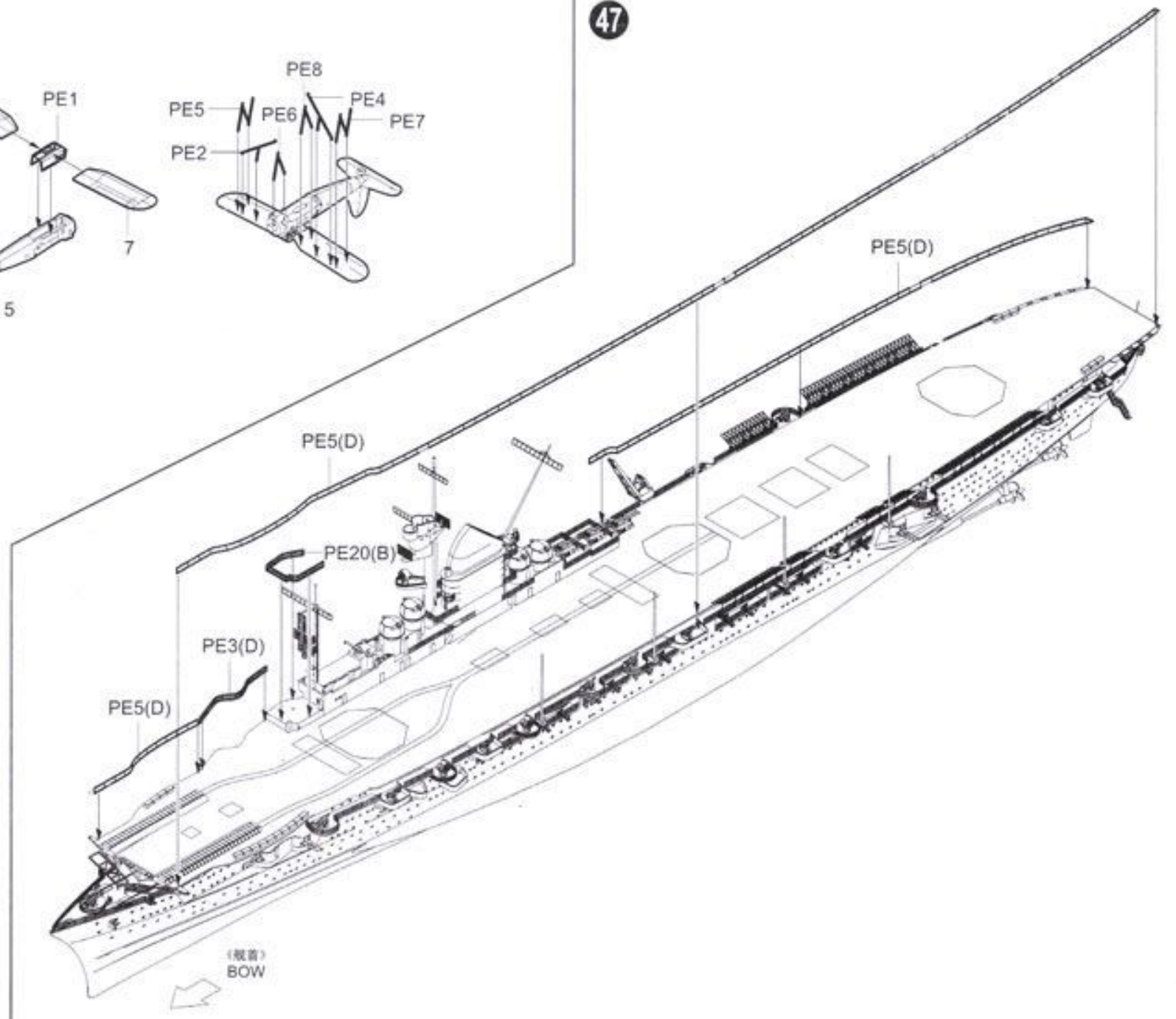
46

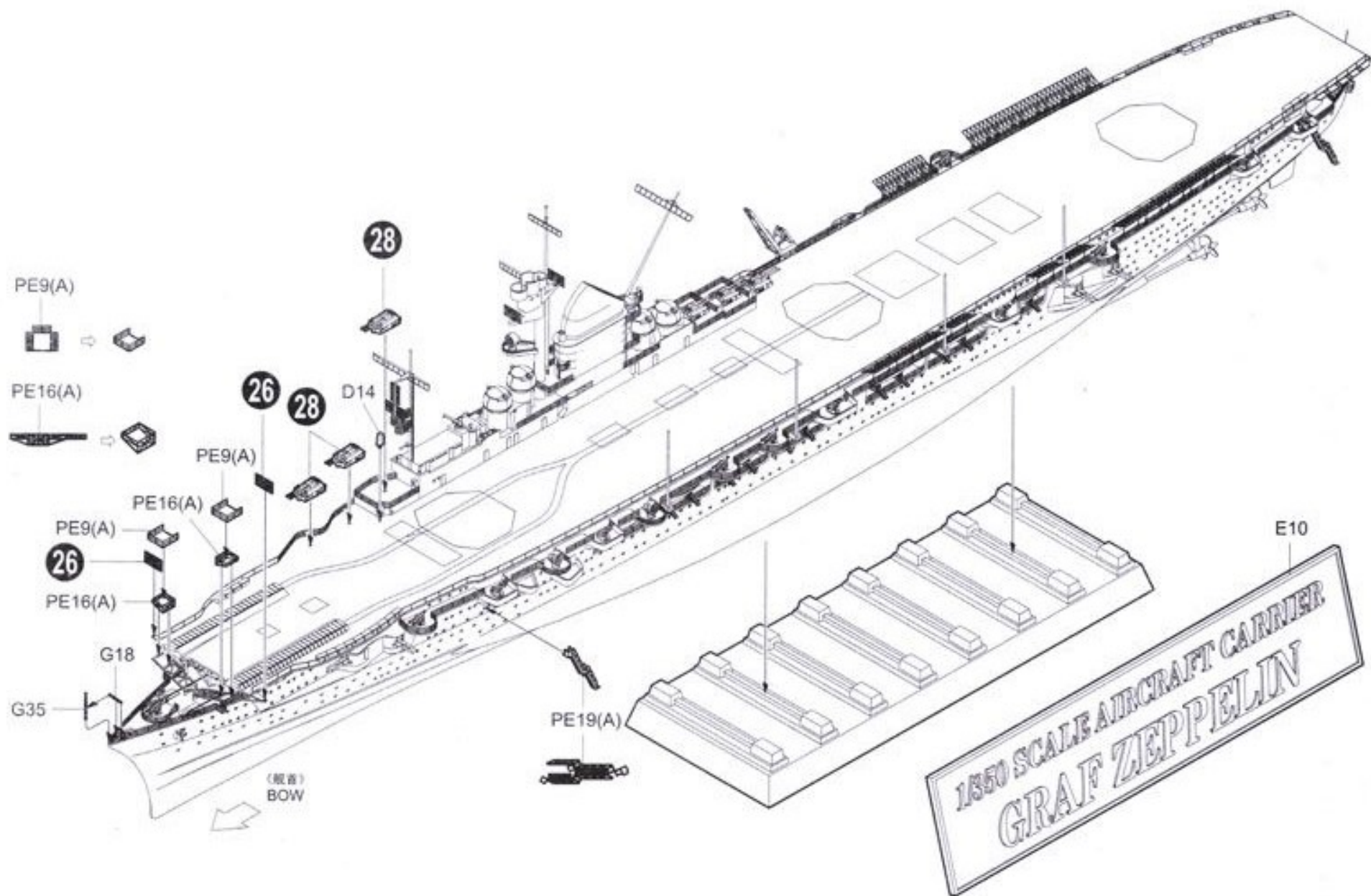
AR-195 的组装
Assembly of AR-195



制作5套
Make five

47





PAINT REFERENCE COLOUR

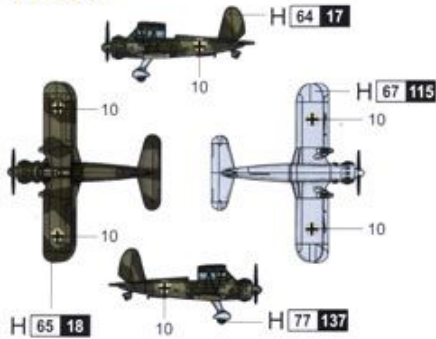
Color	Mr.Hobby	Vallejo	Model Master	Tamiya	Humbrol	Color	Mr.Hobby	Vallejo	Model Master	Tamiya	Humbrol
Gray 灰色	H 308 308	990	1728	XF19	127	Gold 金色	H 9 9	878	1744	X12	16
Hull Red 舰底红	H 17 29	985	---	XF9	177	RLM71 Dark Green 暗绿色	H 64 17	---	---	---	---
Intermediate Blue 灰蓝色	H 56 72	903	1720	---	144	RLM70 Black Green 墨绿色	H 65 18	897	---	XF27	91
Aircraft Gray 灰白色	H 57 73	---	---	---	---	RLM02 Gray 德国灰	H 70 60	869	---	XF22	---
Midnight Blue 午夜蓝	H 55 71	807	---	XF17	---	RLM65 Ligh blue 浅蓝色	H 67 115	906	---	XF23	65
Gray 灰色	H 306 306	870	1725	XF20	---	Tire Black 胎黑色	H 77 137	---	---	---	---
Red 红色	H 3 3	908	1503	X7	19	RLM04 yellow 黄色	H 113	---	---	A78	---
						White 白色	H 1 1	842	1745	X2	22
						Flat Black 消光黑	H 12 33	950	1749	XF1	33
						Orange Yellow 黄橙色	H 24 58	---	---	---	---
						Gray 灰色	H 305 305	868	1723	XF58	125

涂装同标贴指示 Painting & Marking guide

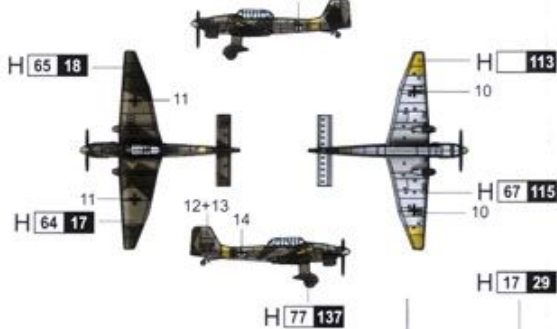
PAINT REFERENCE COLOUR

Color	Mr.Hobby	Vallejo	Model Master	Tamiya	Humbrol	Color	Mr.Hobby	Vallejo	Model Master	Tamiya	Humbrol
Gray 灰色	H 308 308	990	1728	XF19	127	Gold 金色	H 9 9	878	1744	X12	16
Hull Red 舰艇红	H 17 29	985	---	XF9	177	RLM71 Dark Green 暗绿色	H 64 17	---	---	---	---
Intermediate Blue 天蓝色	H 56 72	903	1720	---	144	RLM70 Black Green 墨绿色	H 65 18	897	---	XF27	91
Aircraft Gray 灰白色	H 57 73	---	---	---	---	RLM02 Gray 灰色	H 70 60	869	---	XF22	---
Midnight Blue 午夜蓝	H 55 71	807	---	XF17	---	RLM65 Light blue 浅蓝色	H 67 115	906	---	XF23	85
Gray 灰色	H 308 308	870	1725	XF20	---	Tire Black 胎黑色	H 77 137	---	---	---	---
Red 红色	H 3 3	908	1503	X7	19	RLM04 yellow 黄色	H 113	---	---	A78	---
						White 白色	H 1 1	842	1745	X2	22
						Flat Black 消光黑	H 12 33	950	1749	XF1	33
						Orange Yellow 黄橙色	H 24 58	---	---	---	---
						Gray 灰色	H 308 308	868	1723	XF58	125

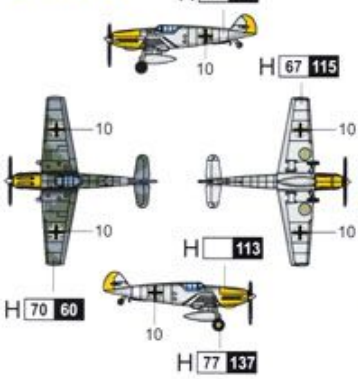
Ar-195x5



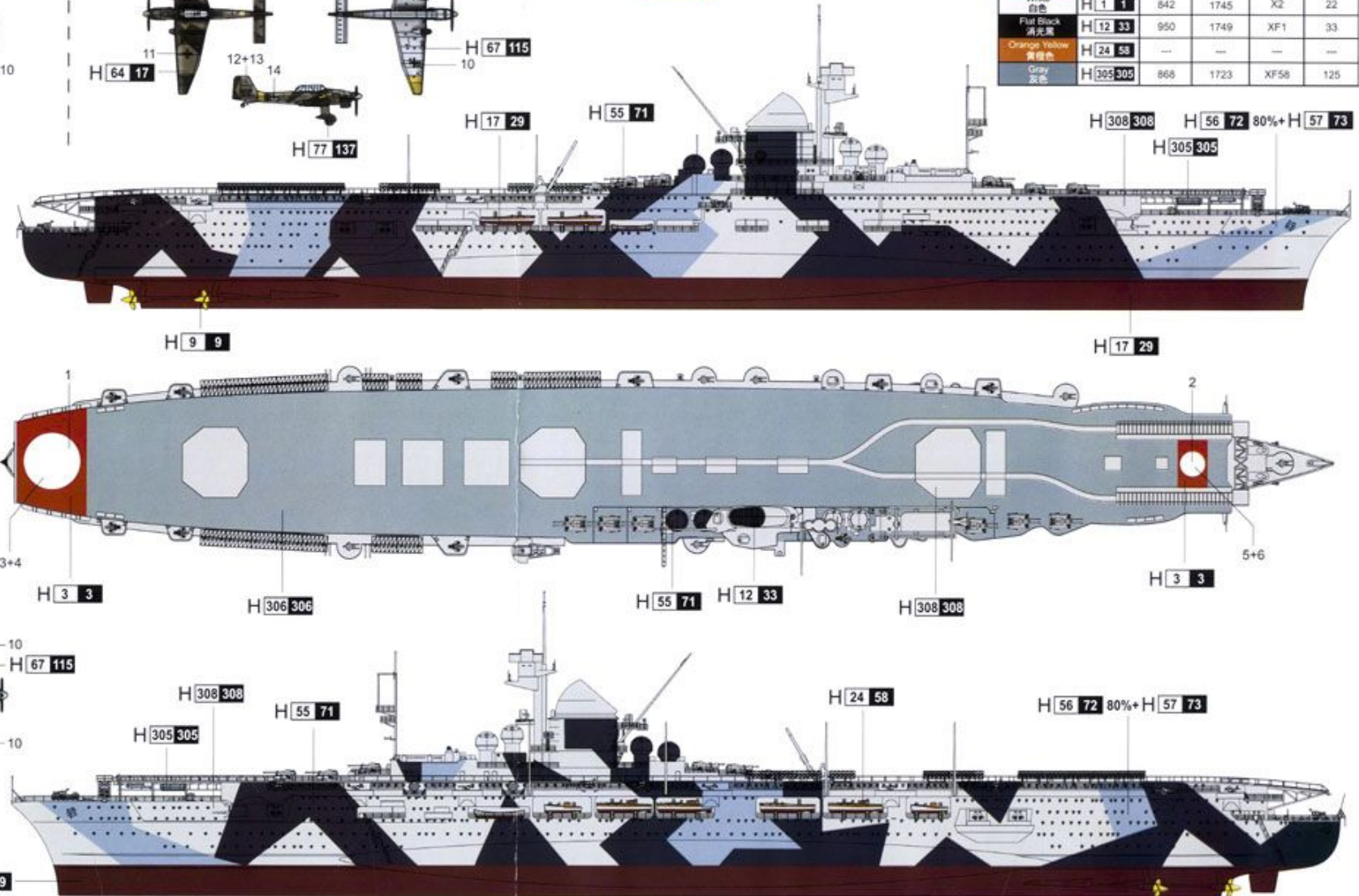
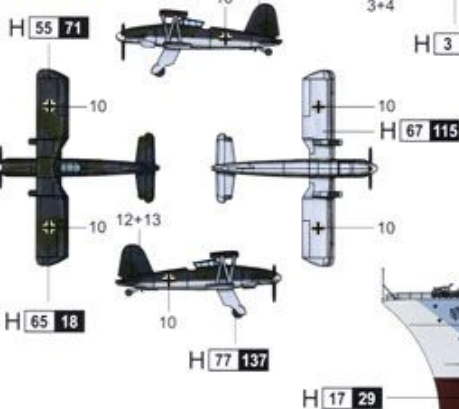
JU-87x5



BF-109x5



FI-167x5



H [] AQUEOUS HOBBY COLOR [] Mr. COLOR