

Russian Zil-131



Length: 202mm Width: 76.4mm Total Plastic Parts: 330+pcs

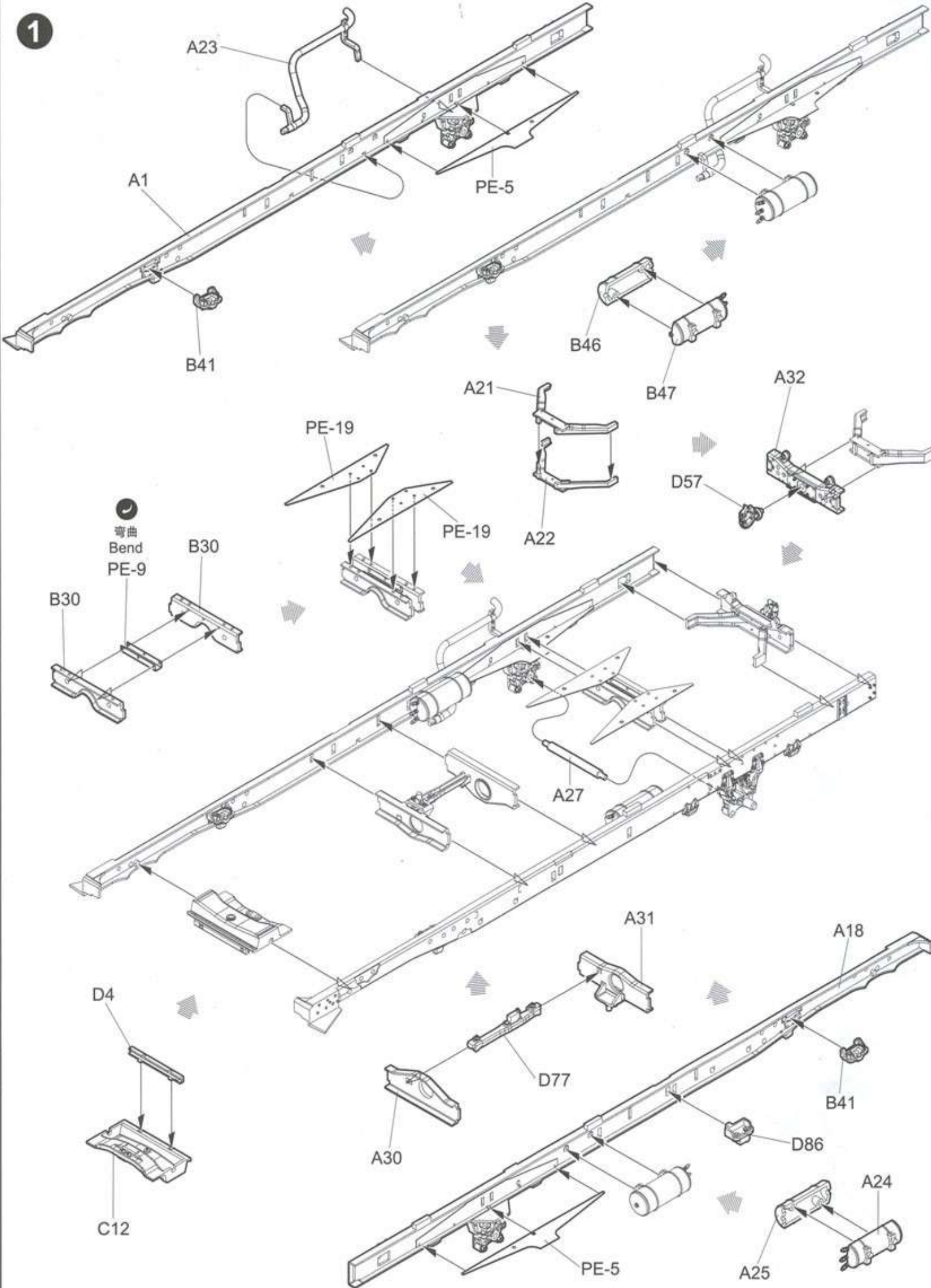


Detailed scale model for adult collectors to assemble.
Actual model may vary from image on box.
WARNING! Not for children under 3 years due to small parts.
警告：此模型不适合3岁以下儿童使用。本产品与包装图所示略有不同。

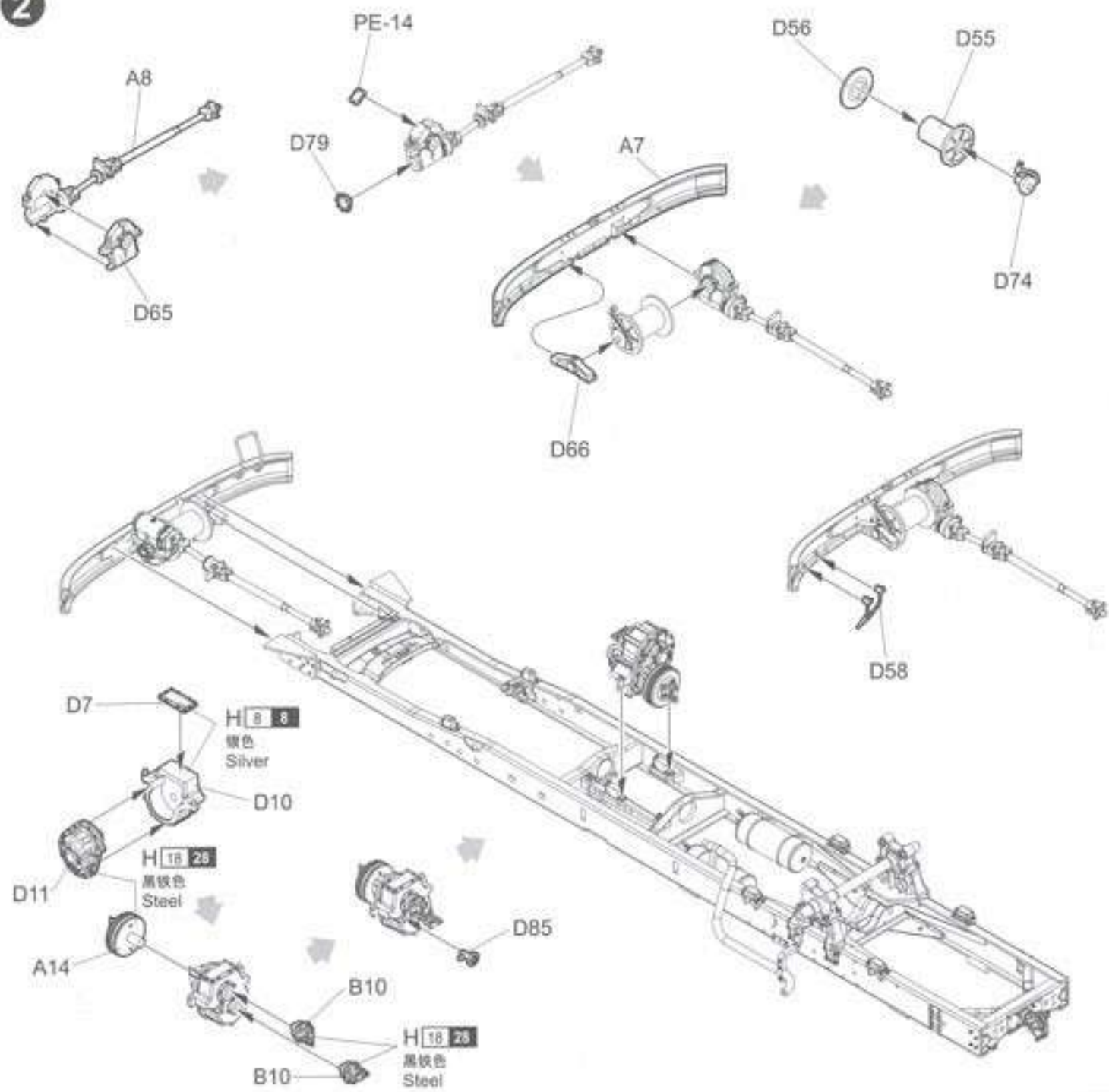
俄罗斯ZIL-131军用卡车

HOBBY SEARCH

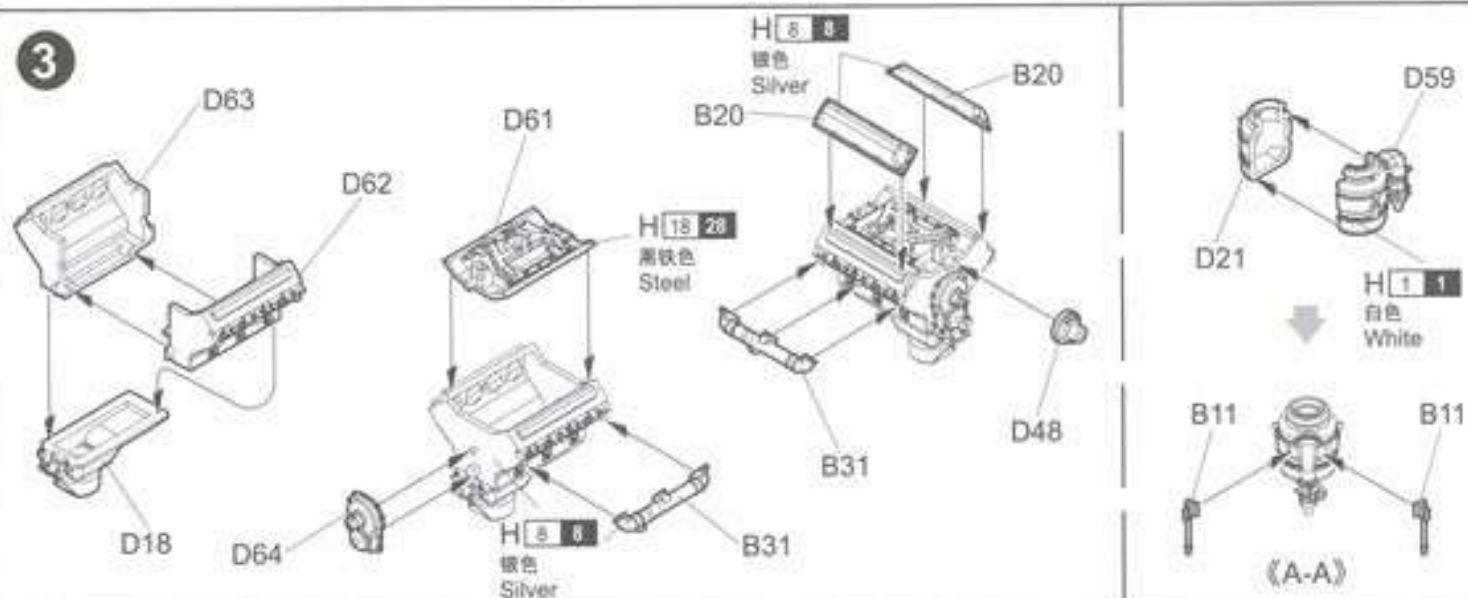
1



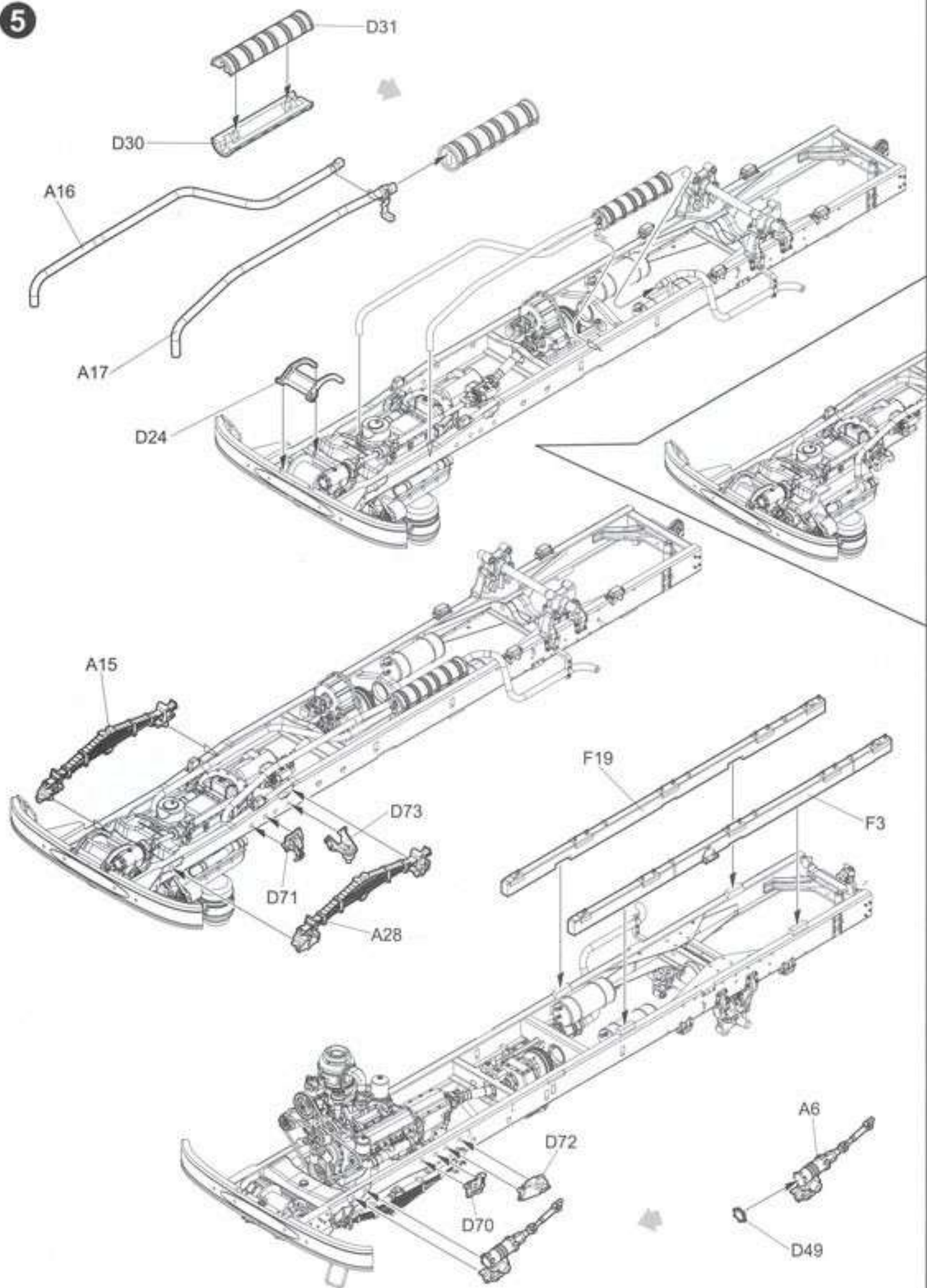
2



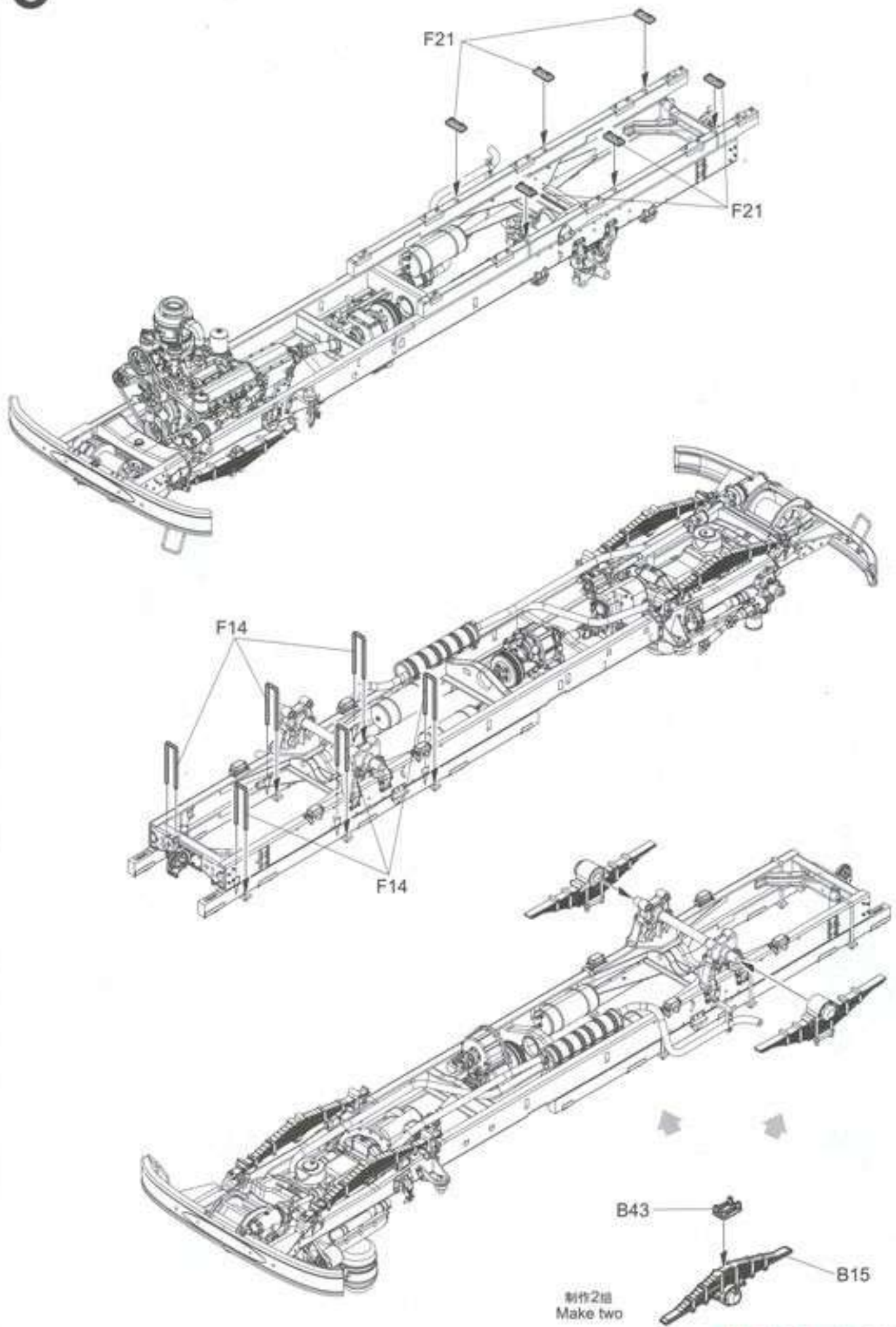
3

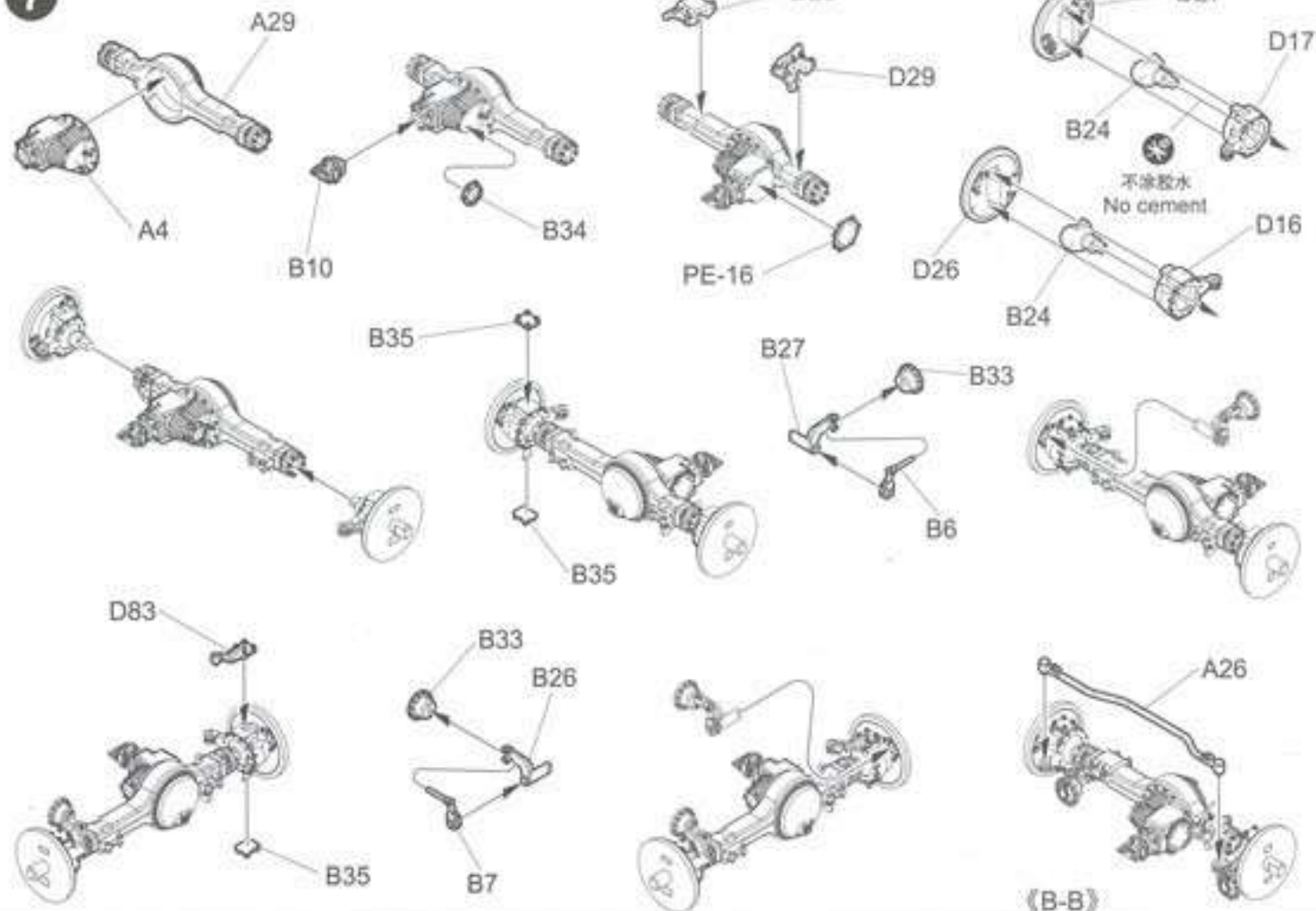
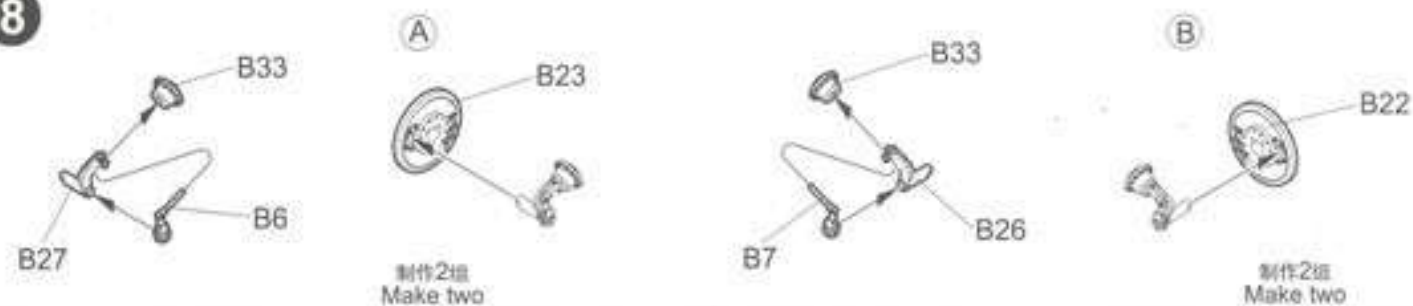
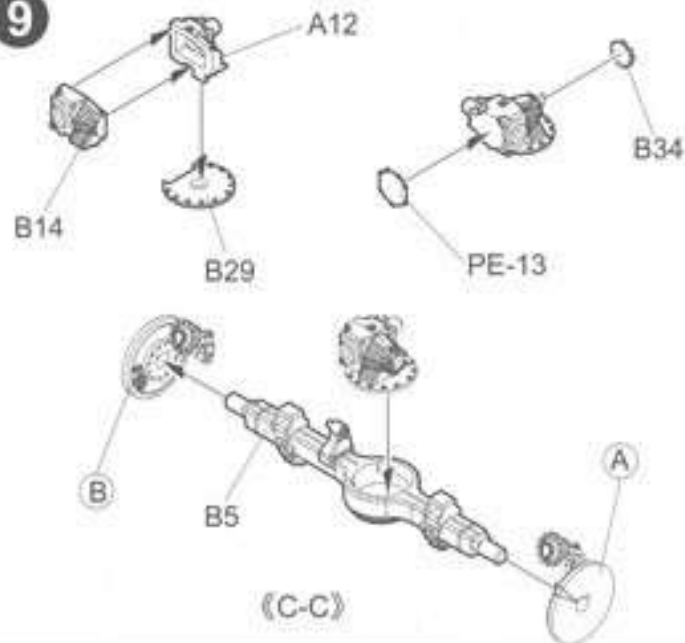
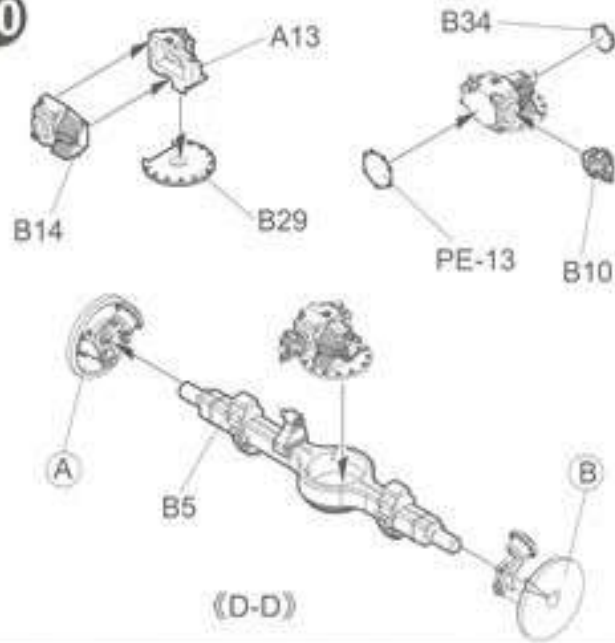


5

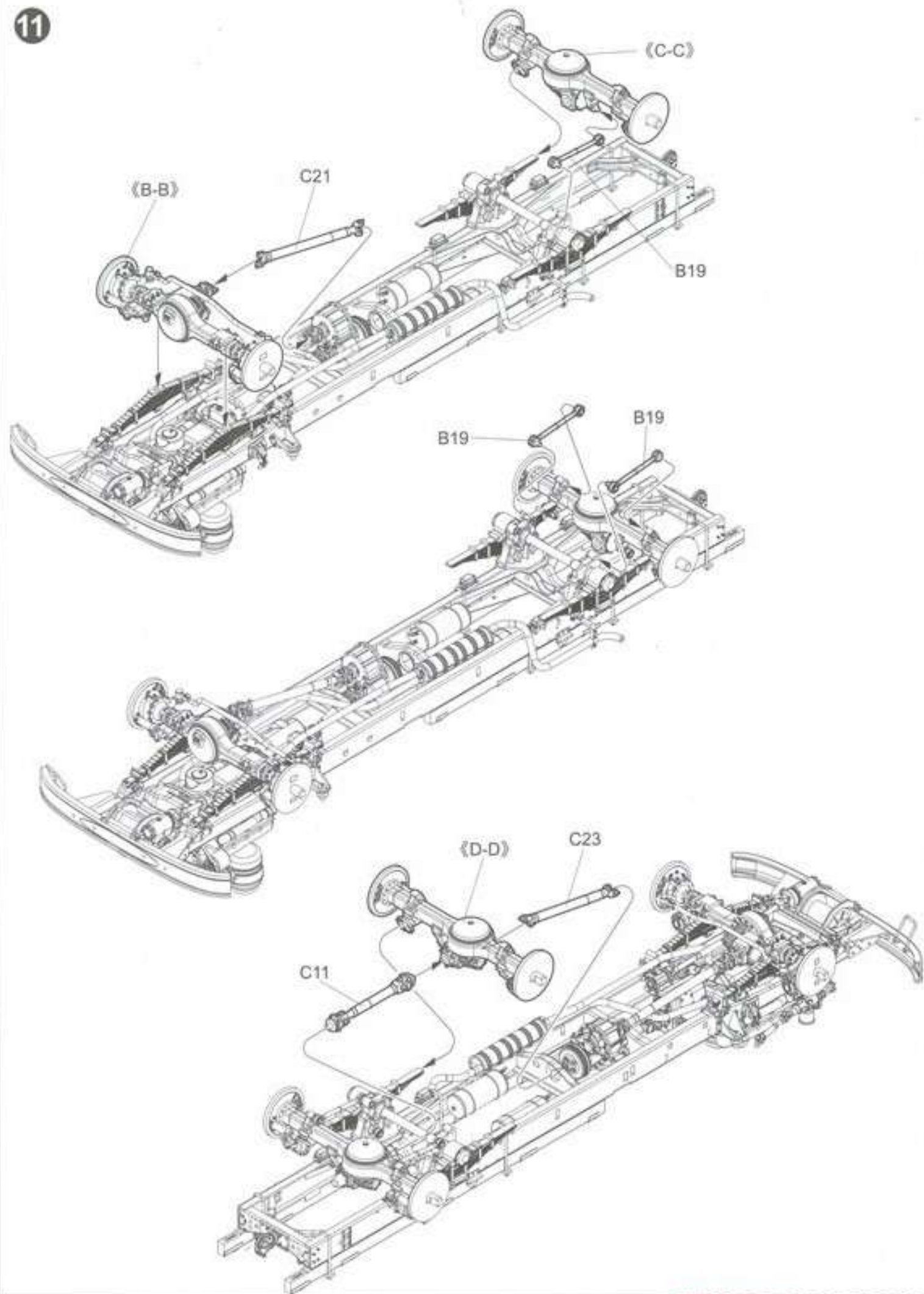


6

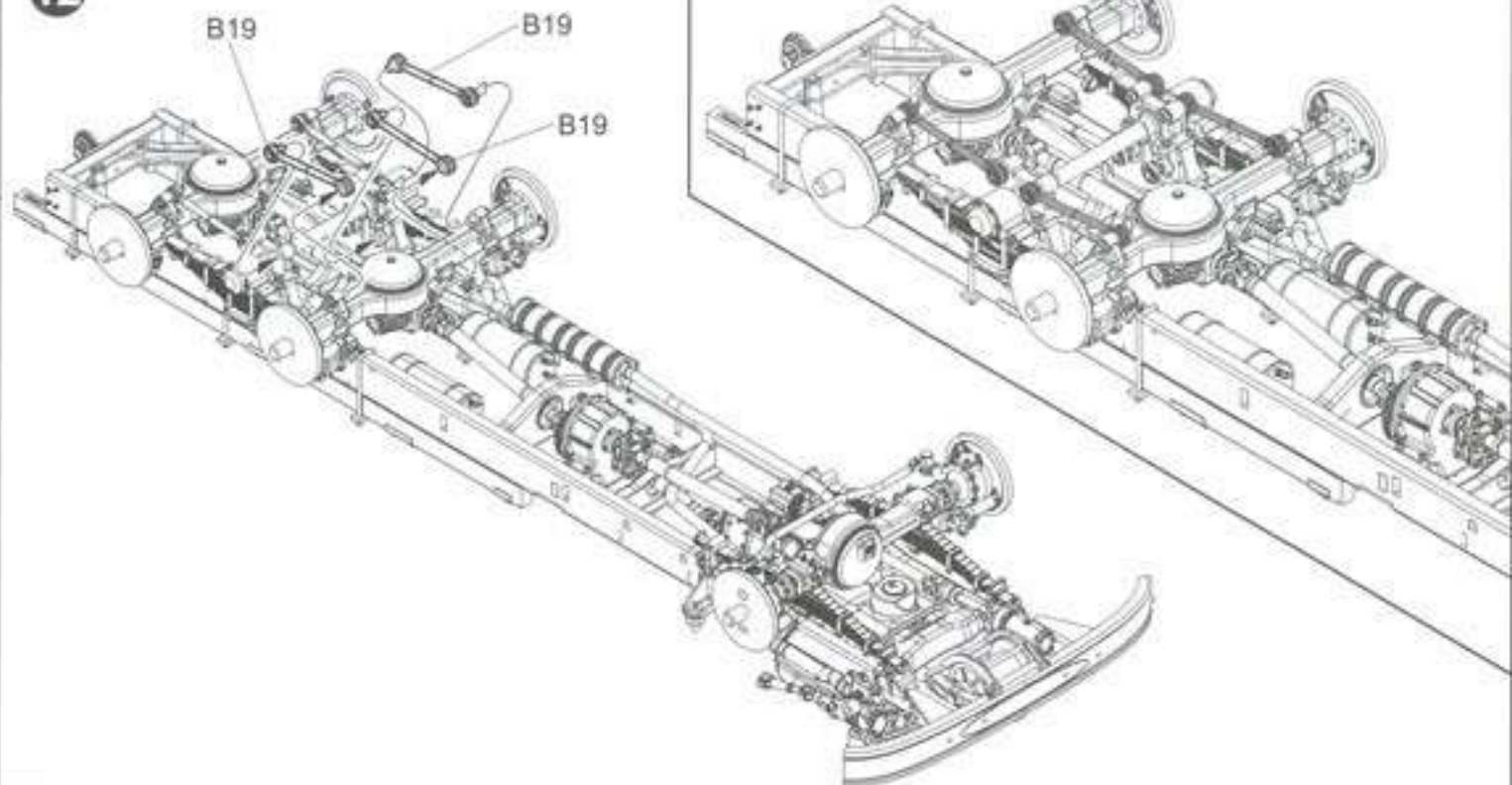


7**(B-B)****8**制作2组
Make two制作2组
Make two**9****(C-C)****10****(D-D)**

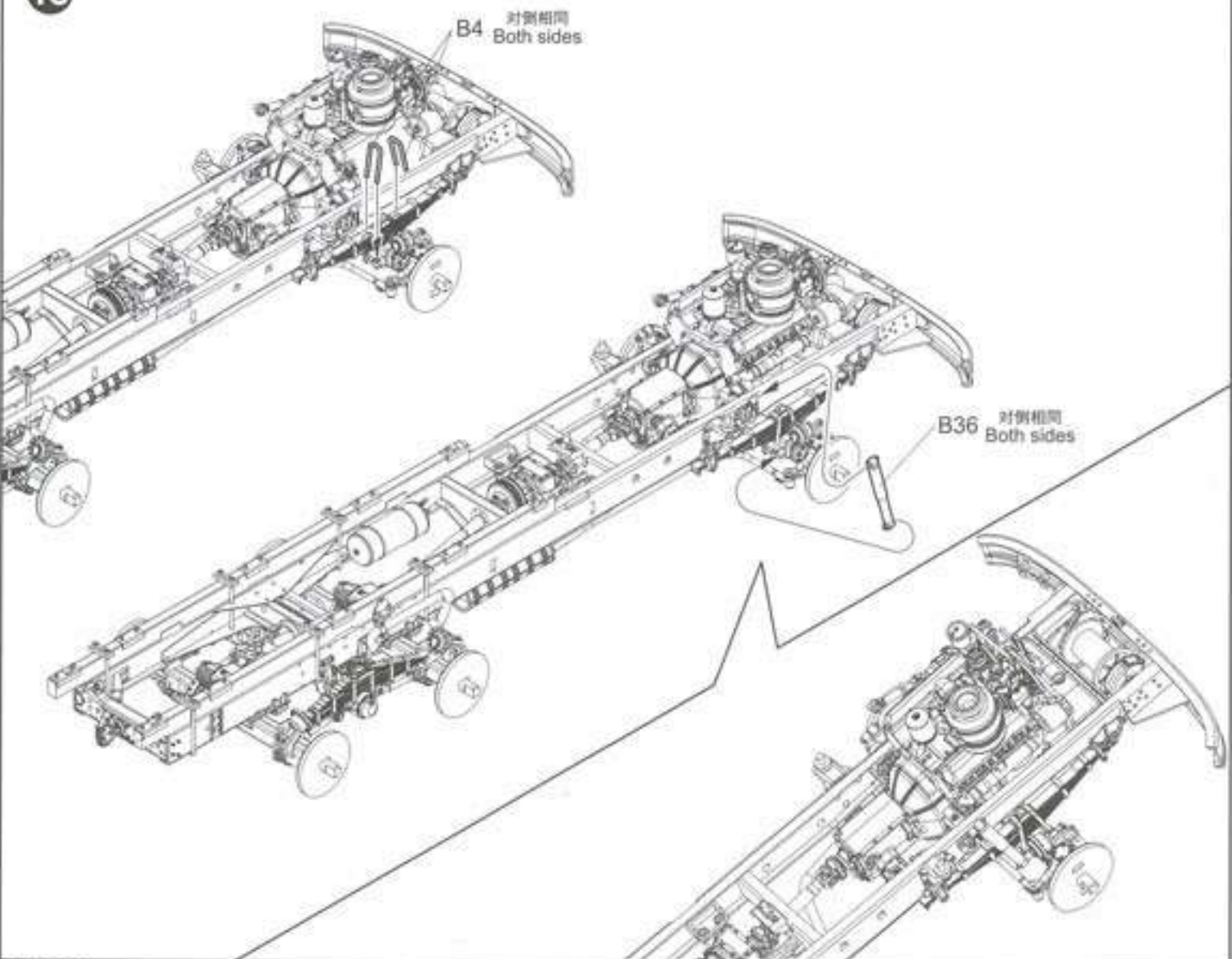
11



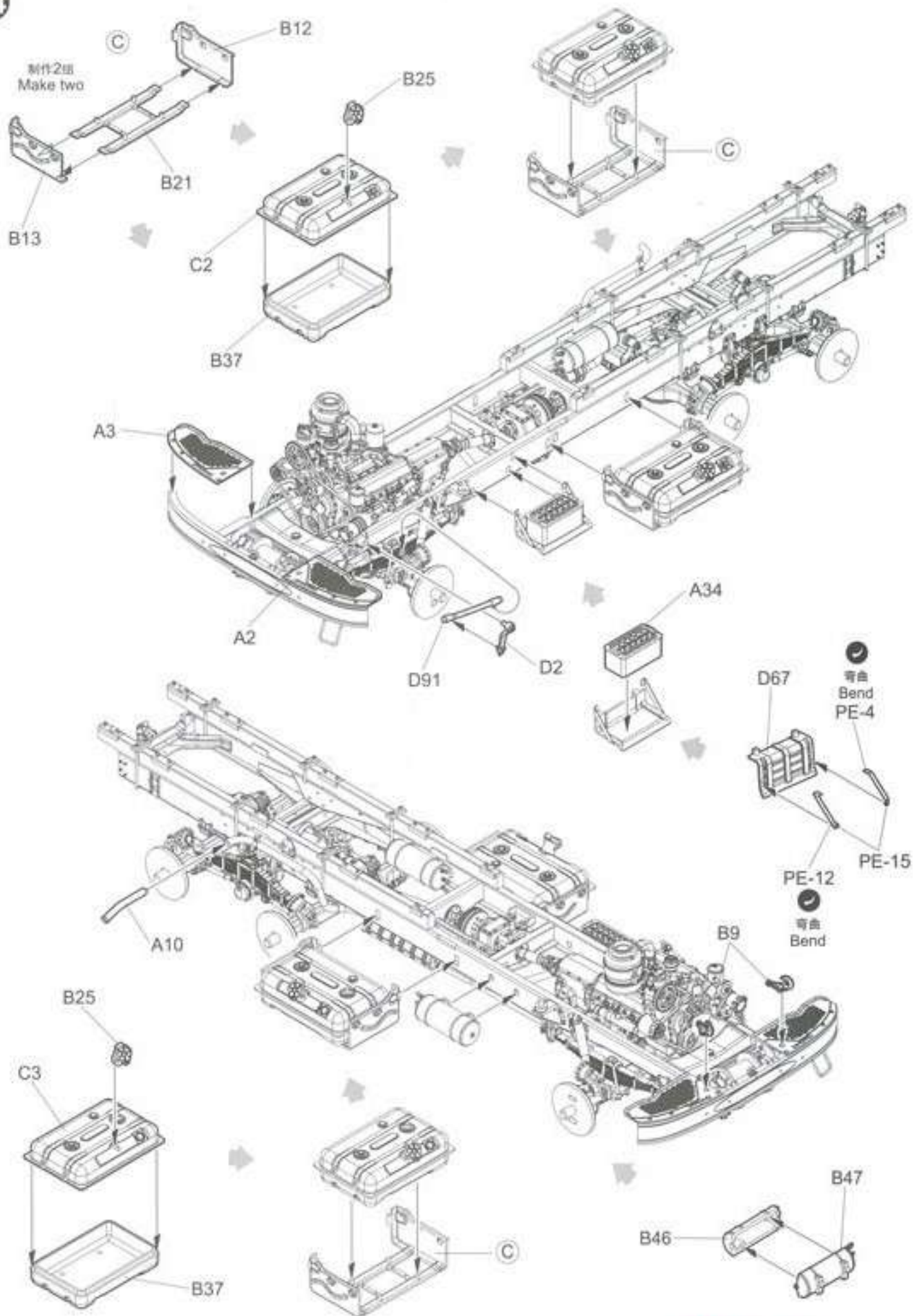
12



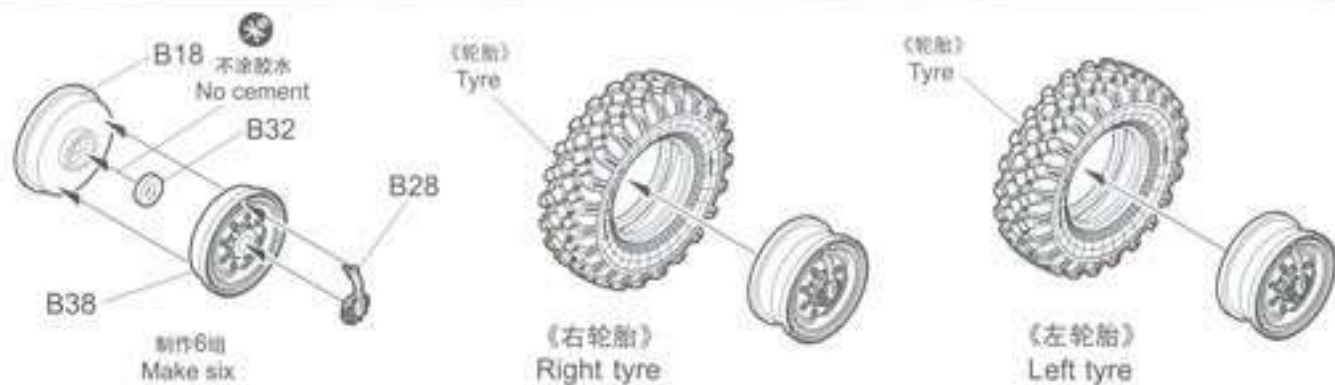
13



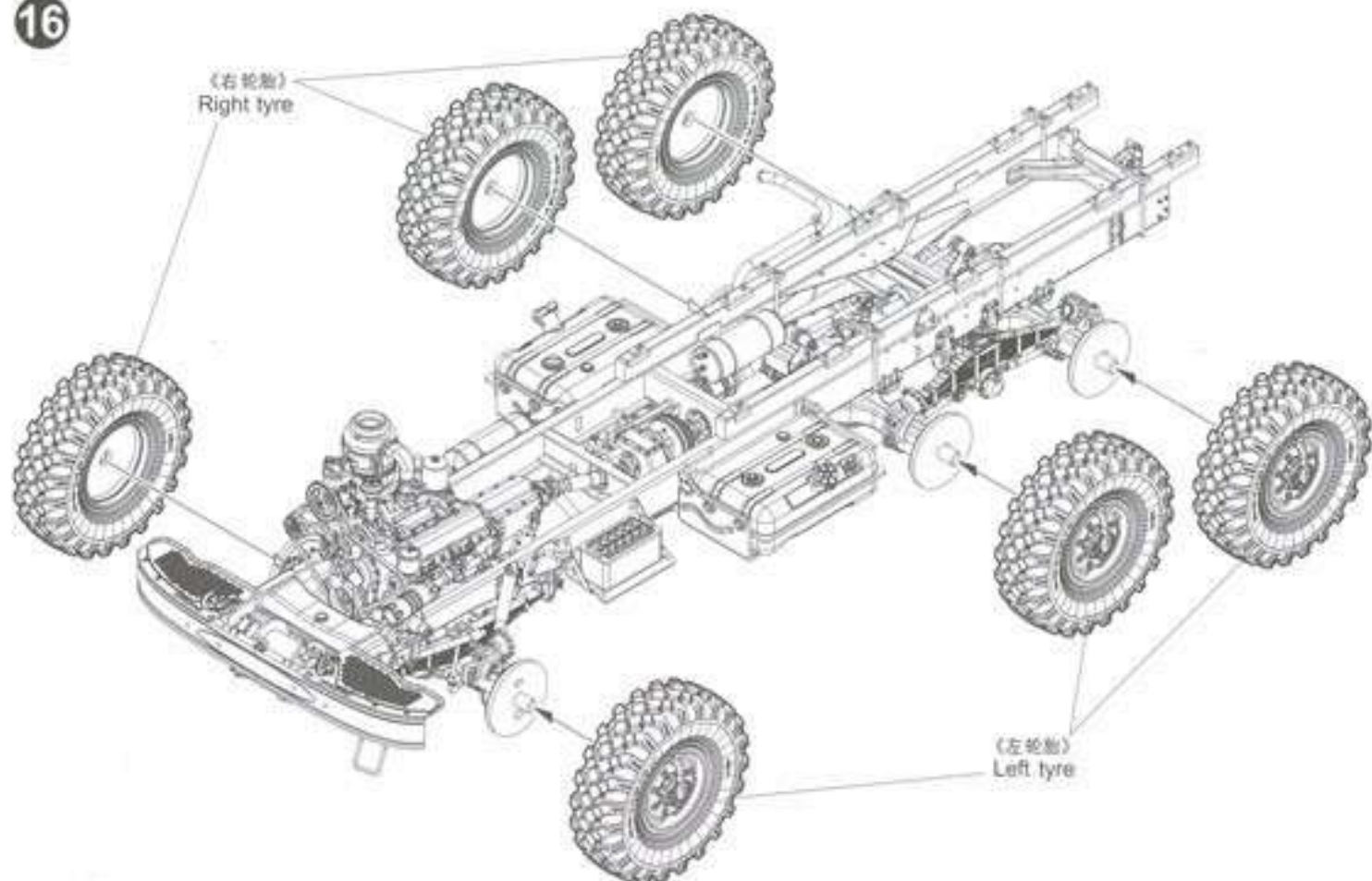
14



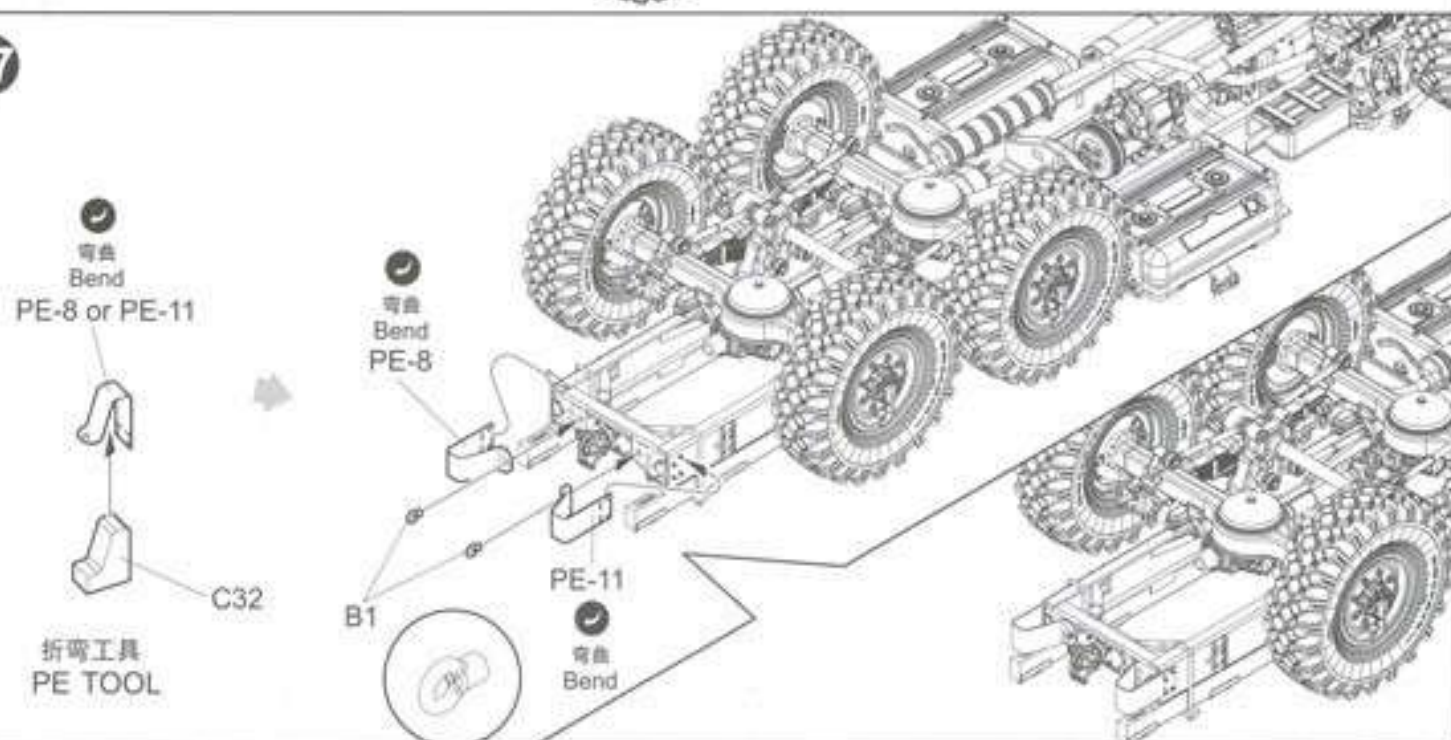
15



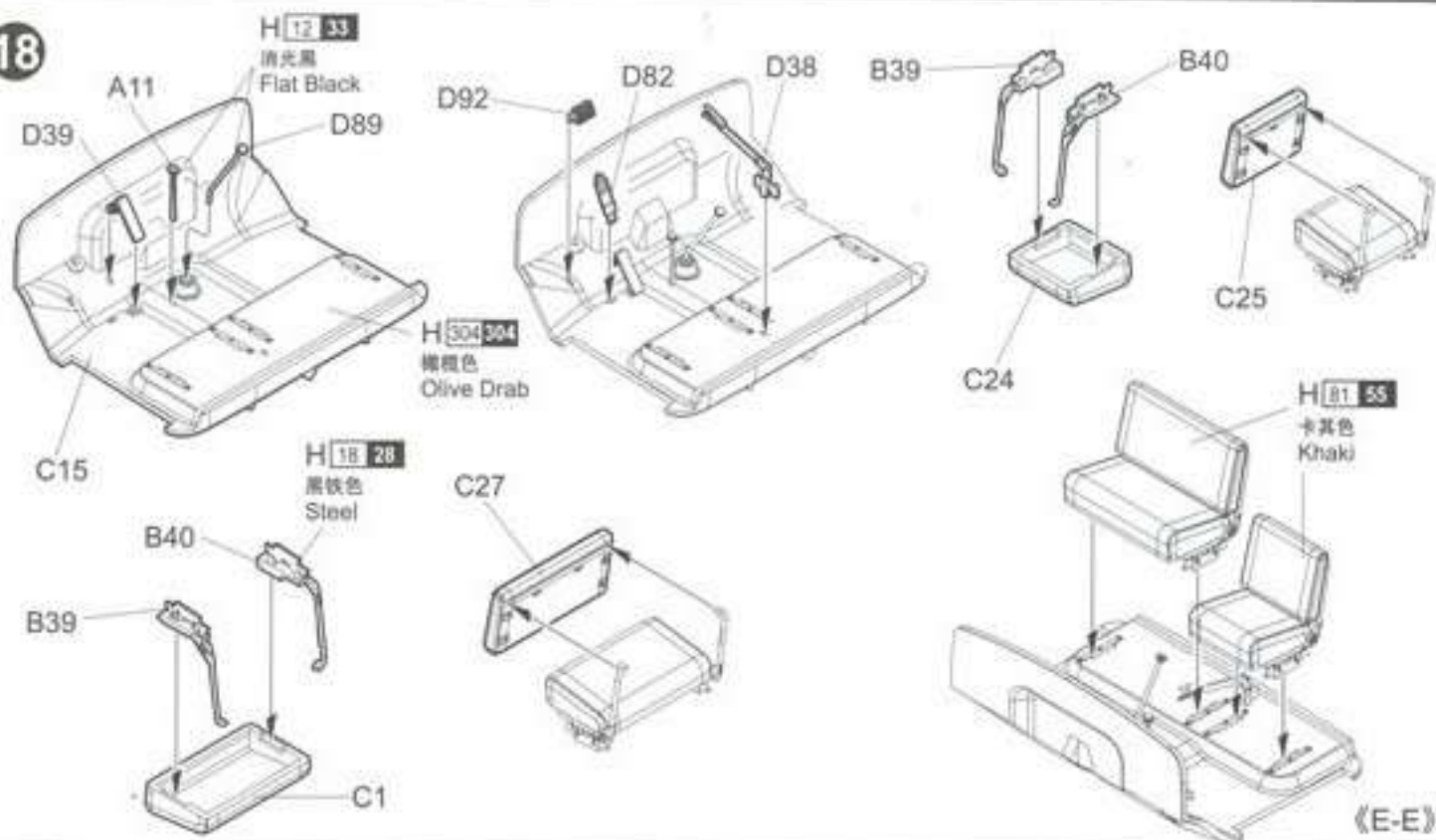
16



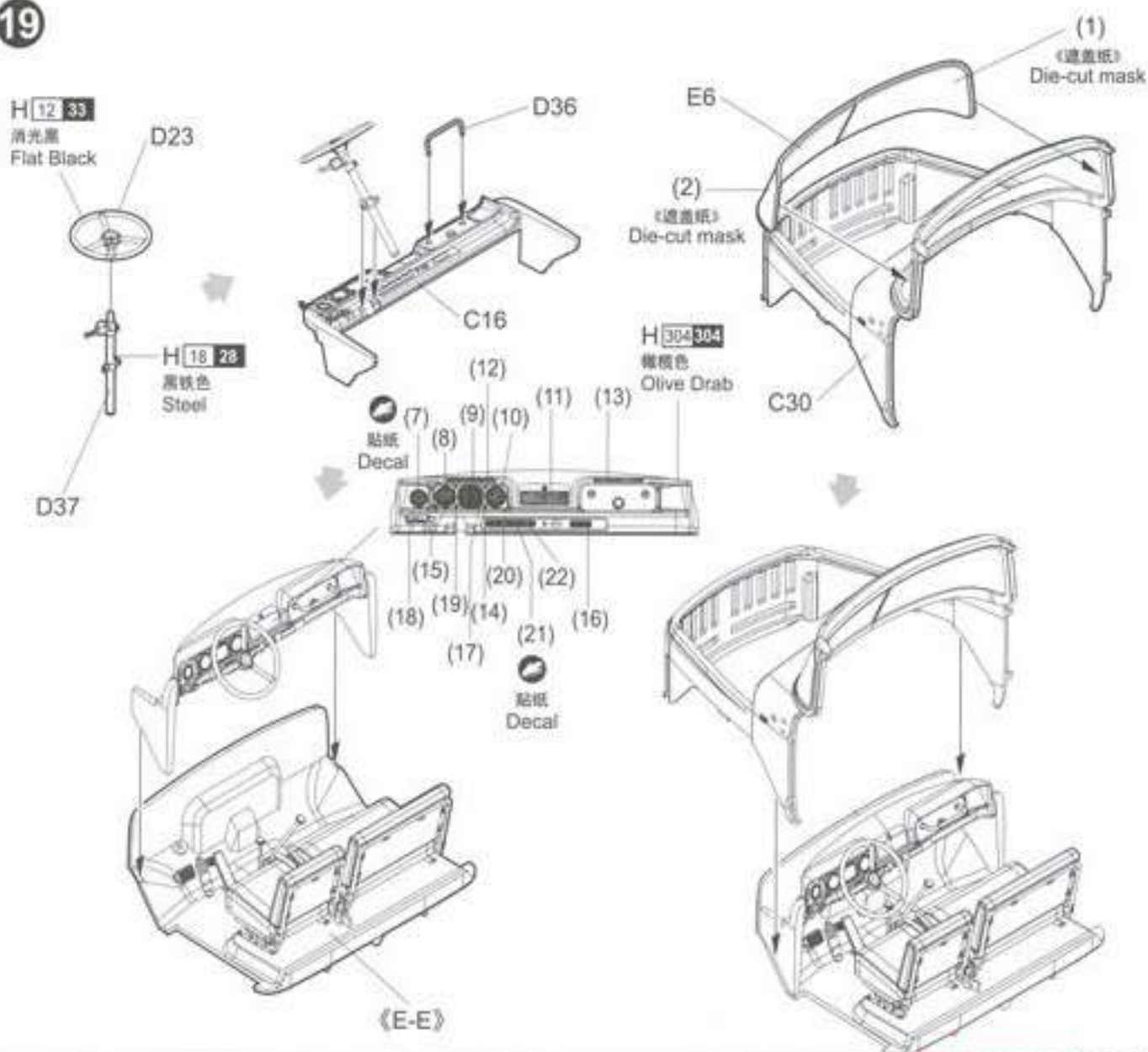
17



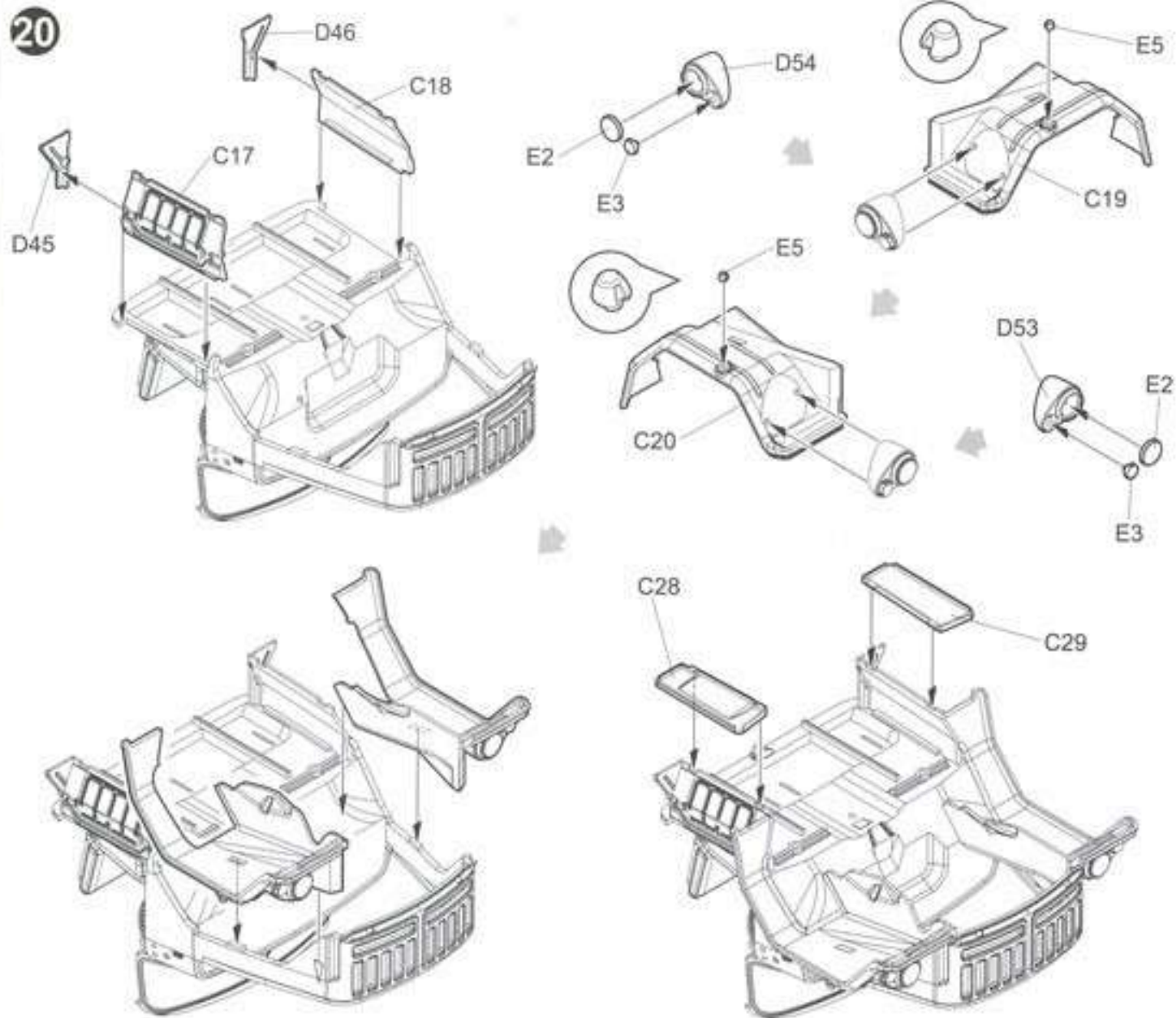
18



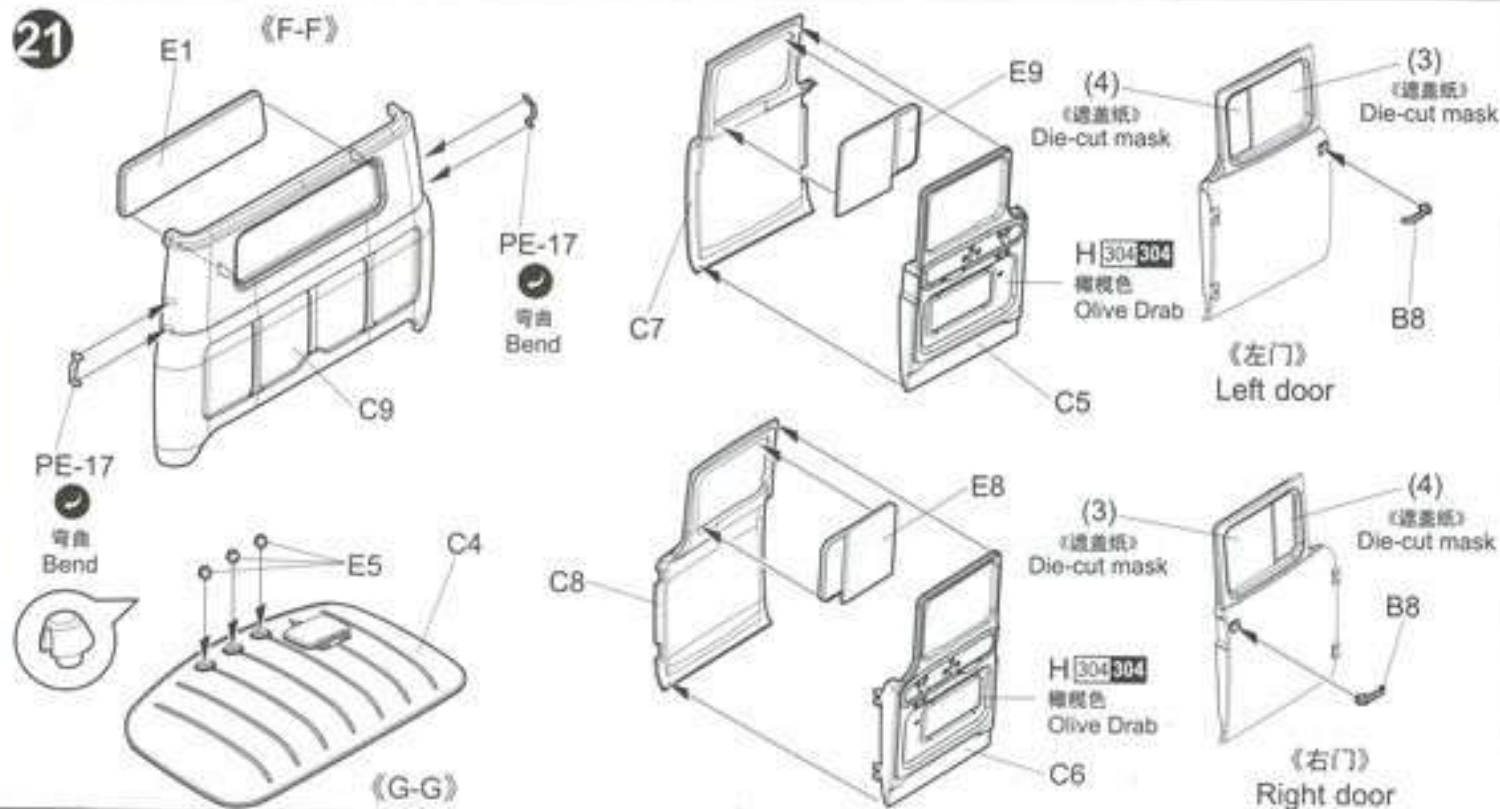
19



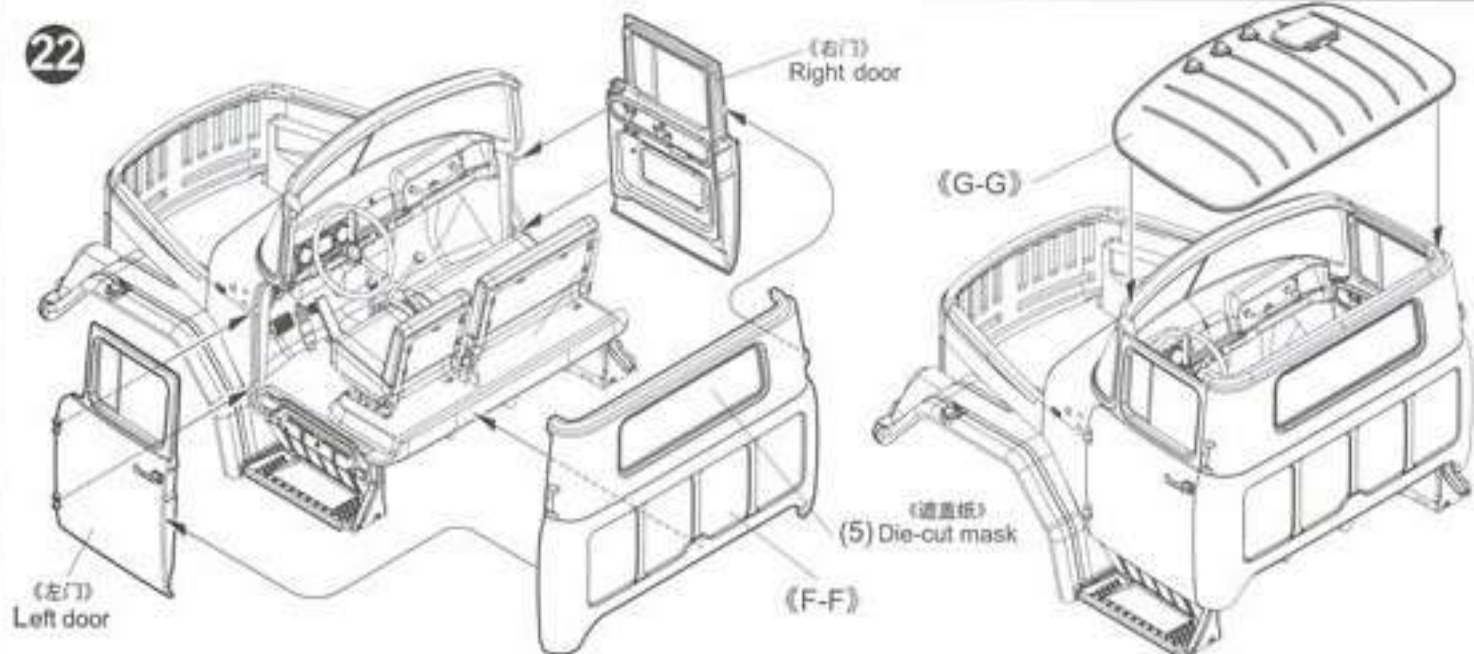
20



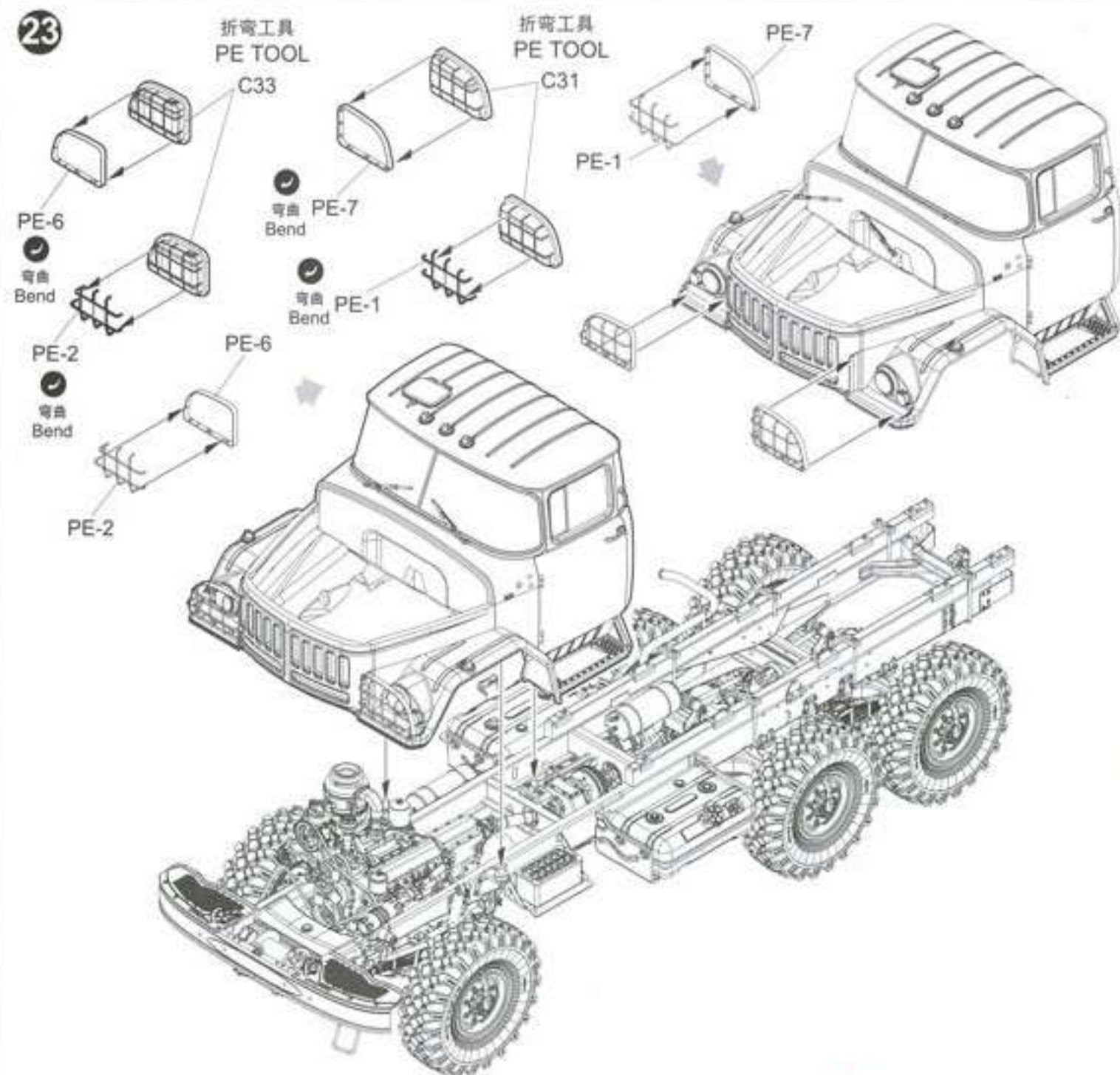
21

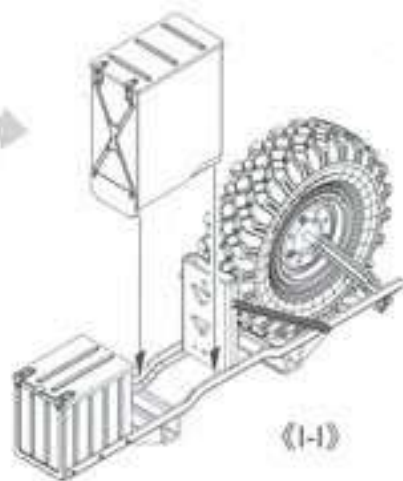
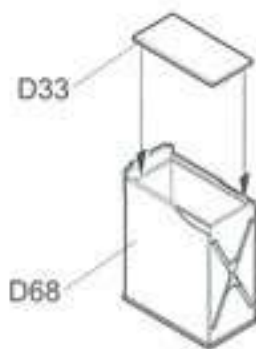
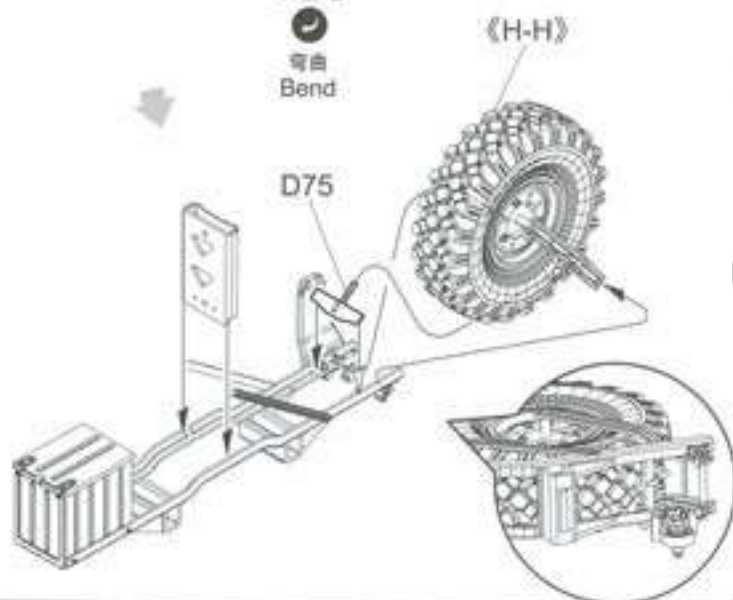
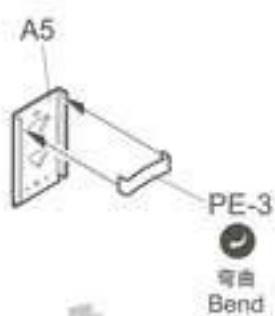
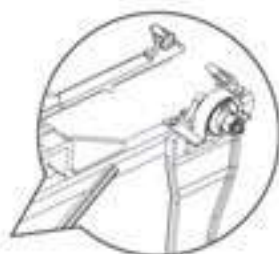
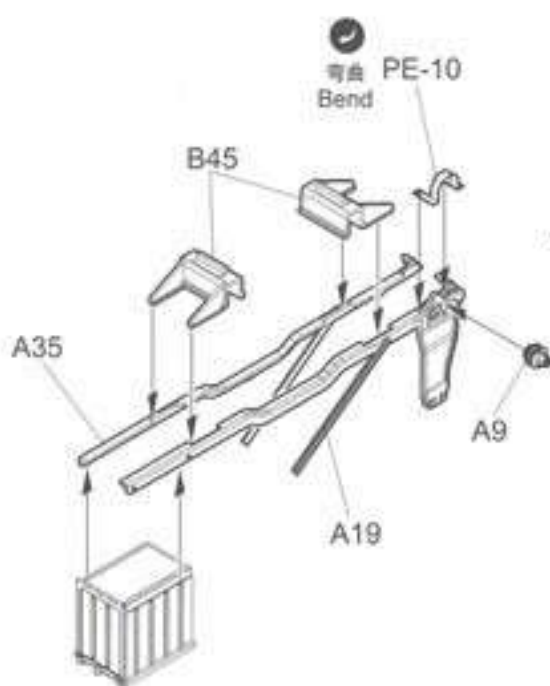
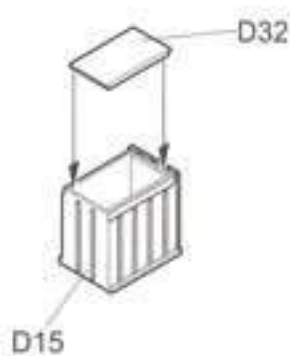
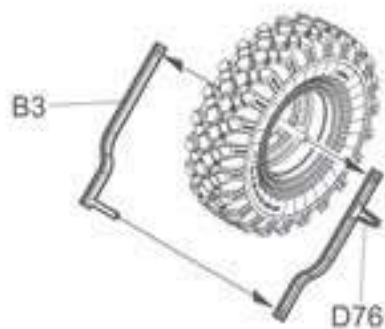
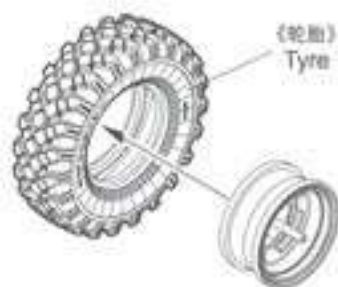


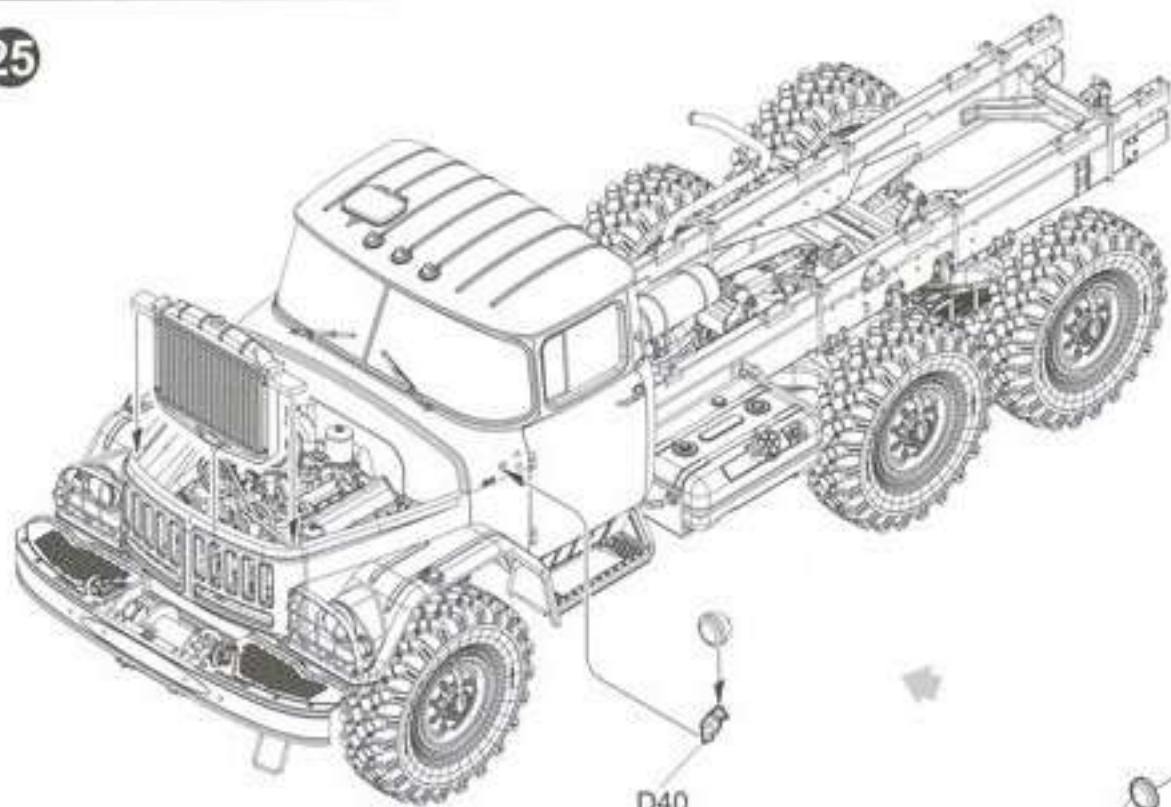
22



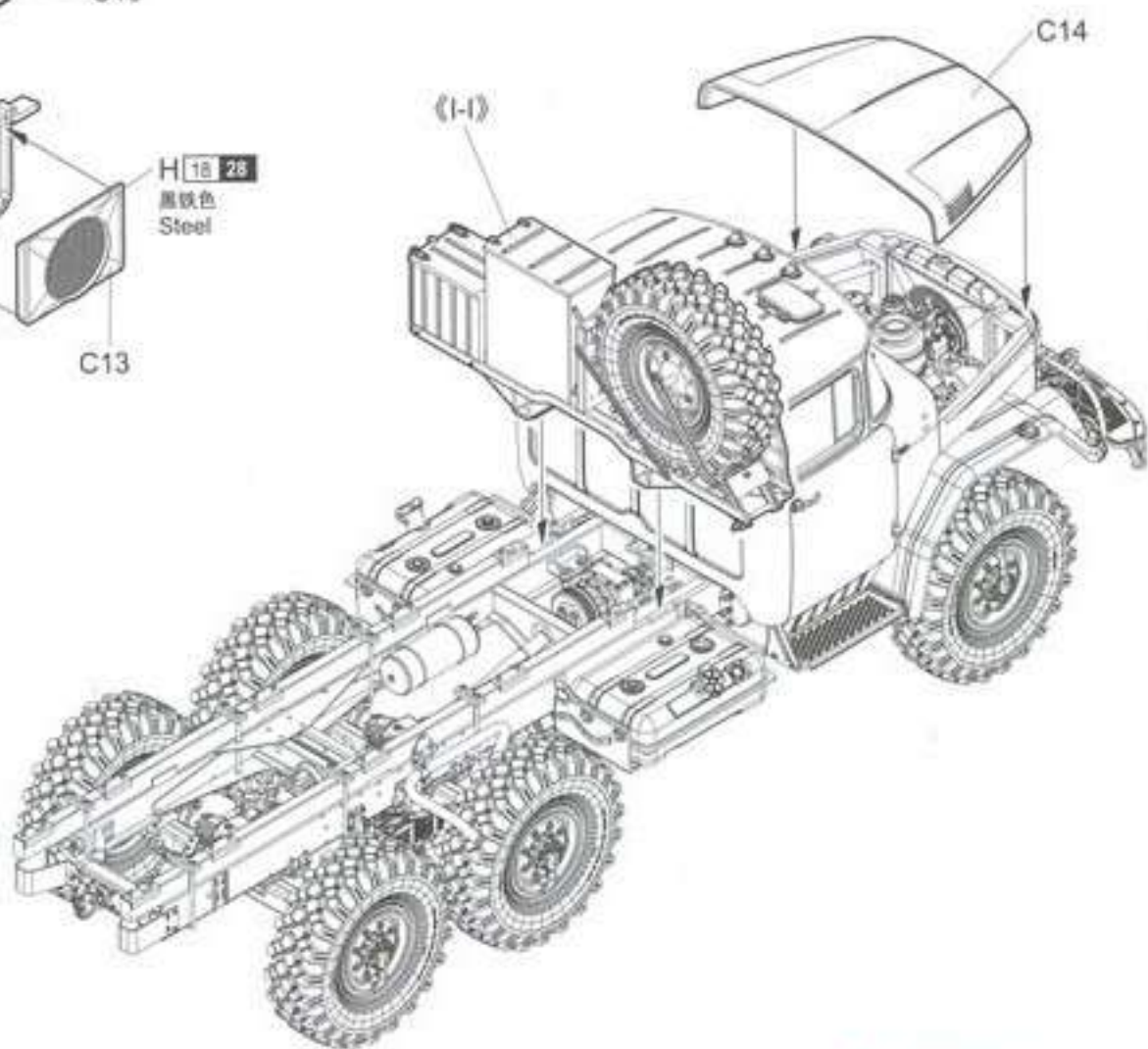
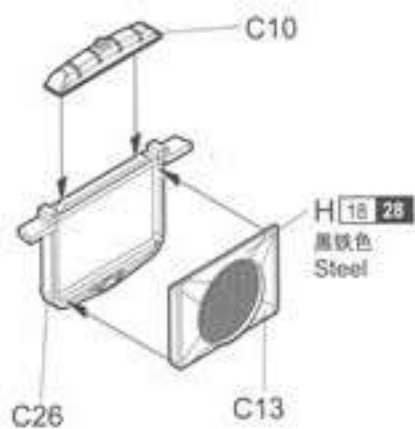
23

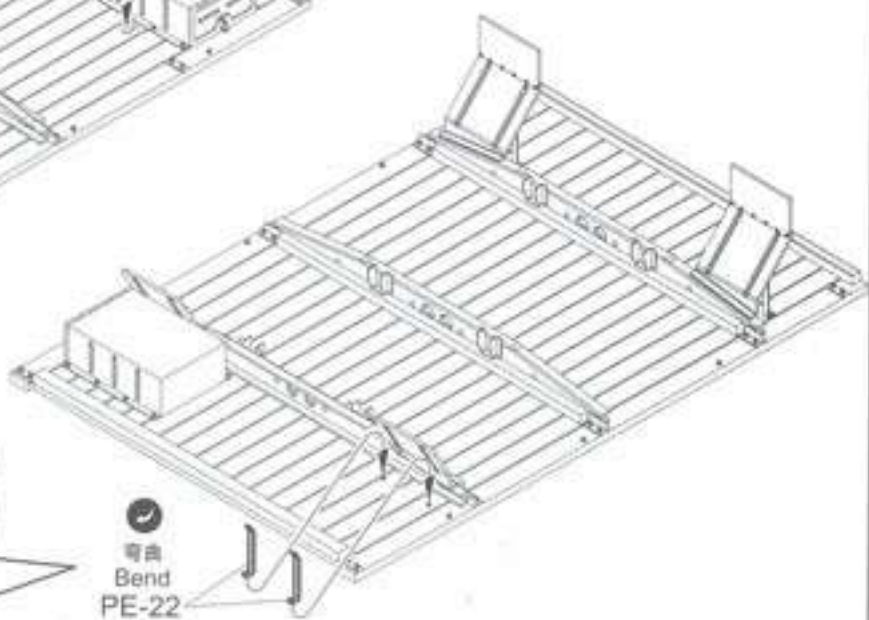
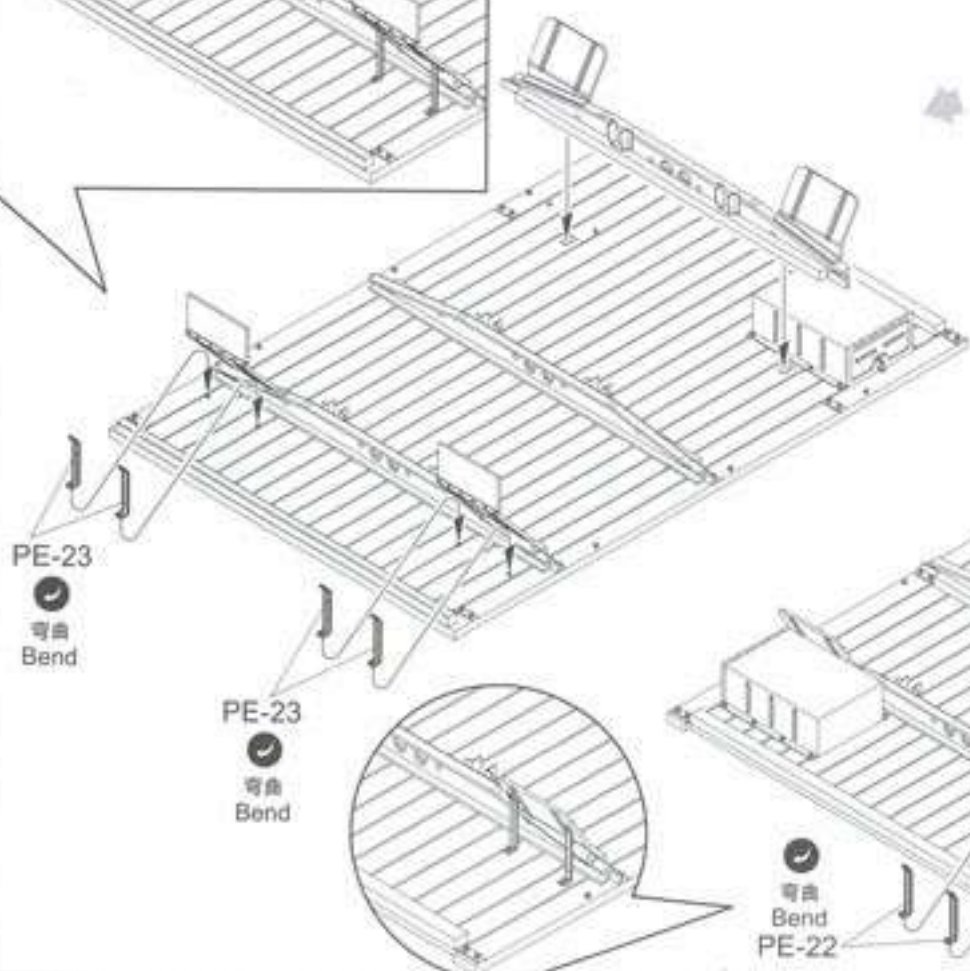
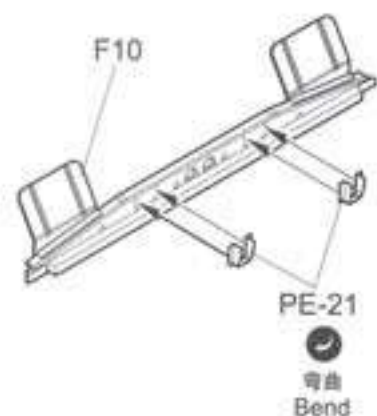
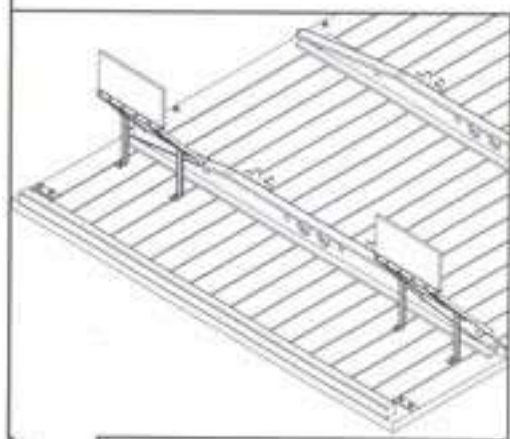
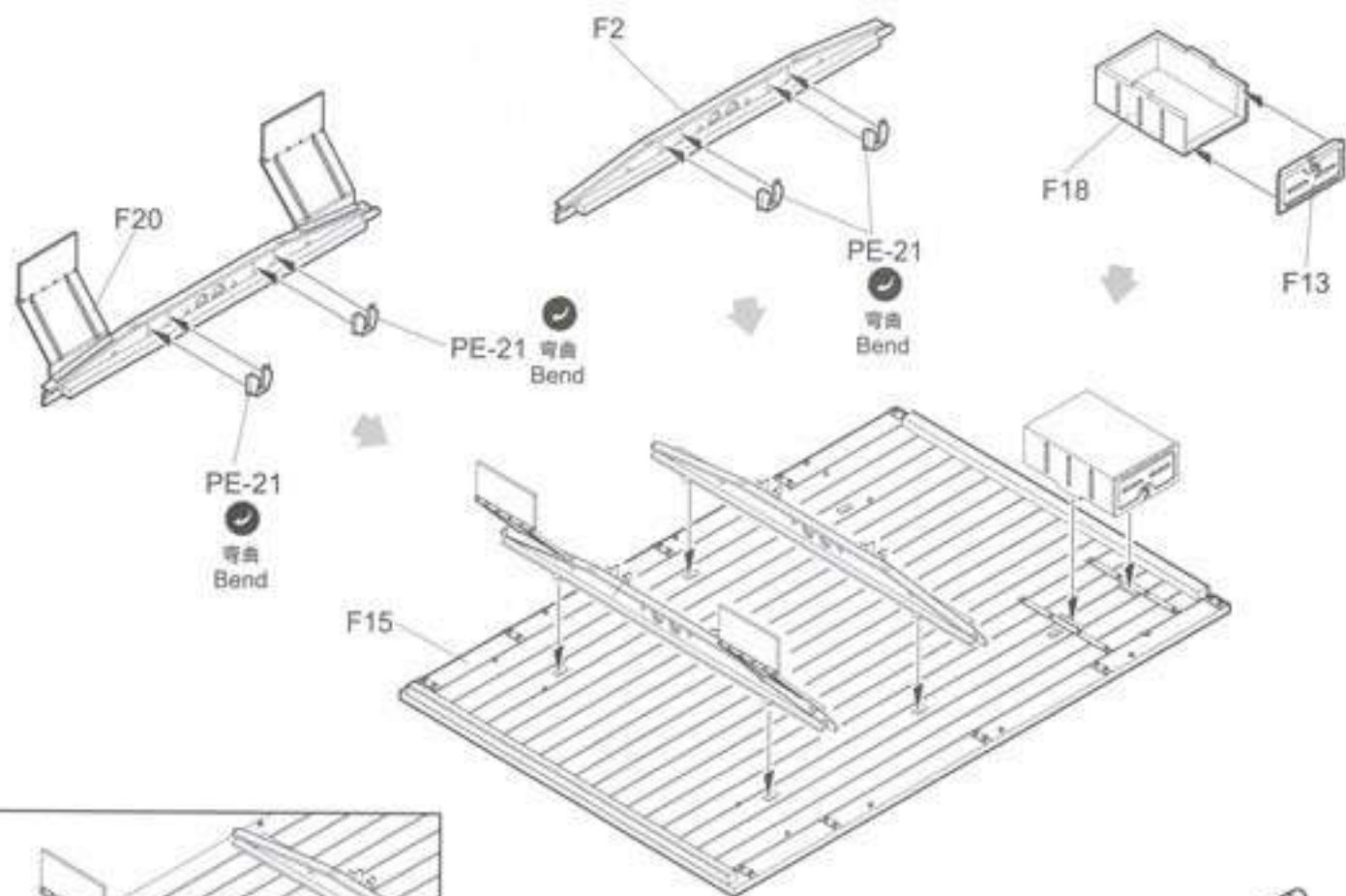


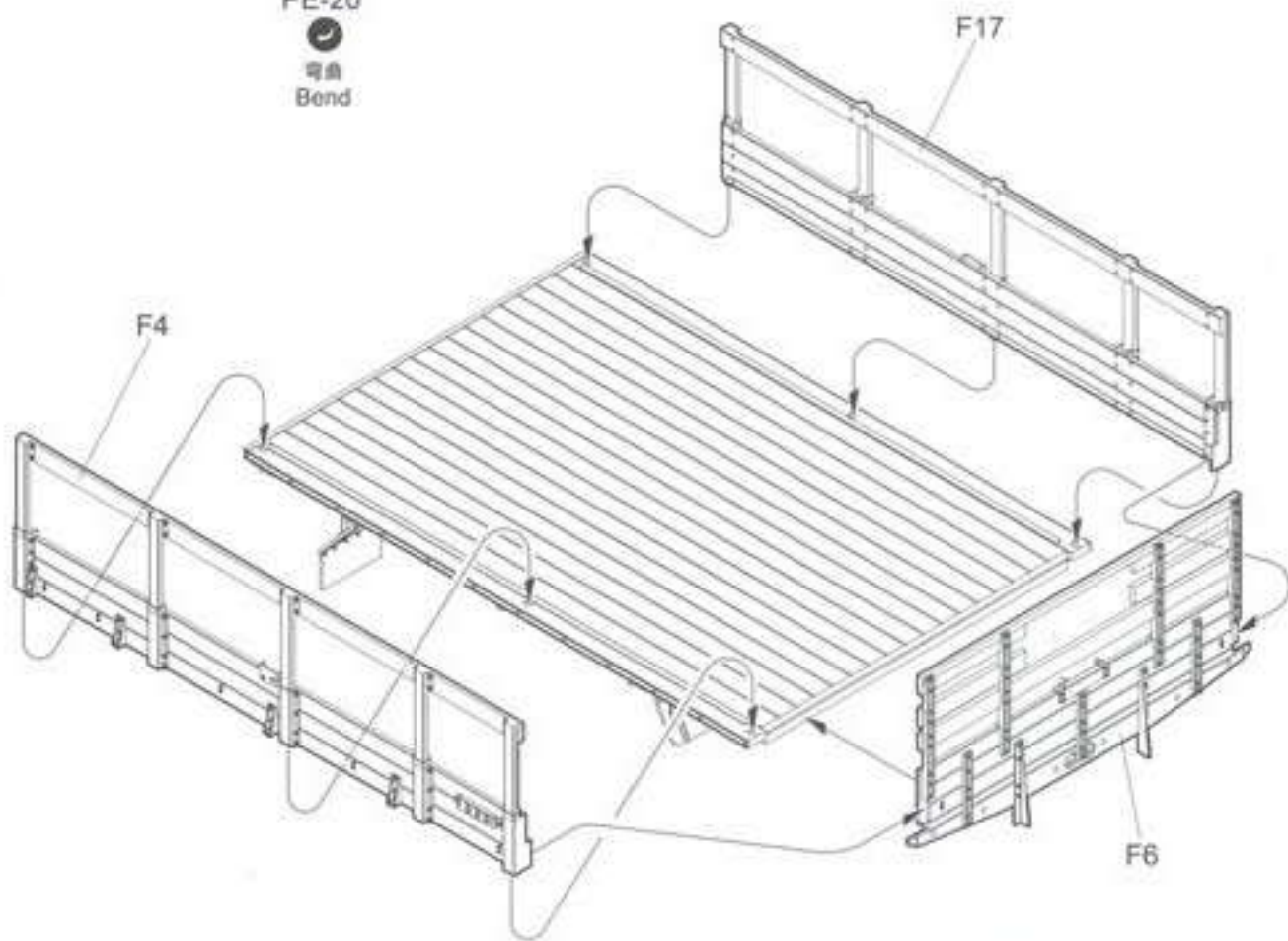
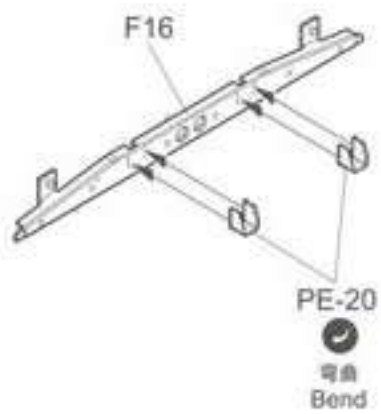
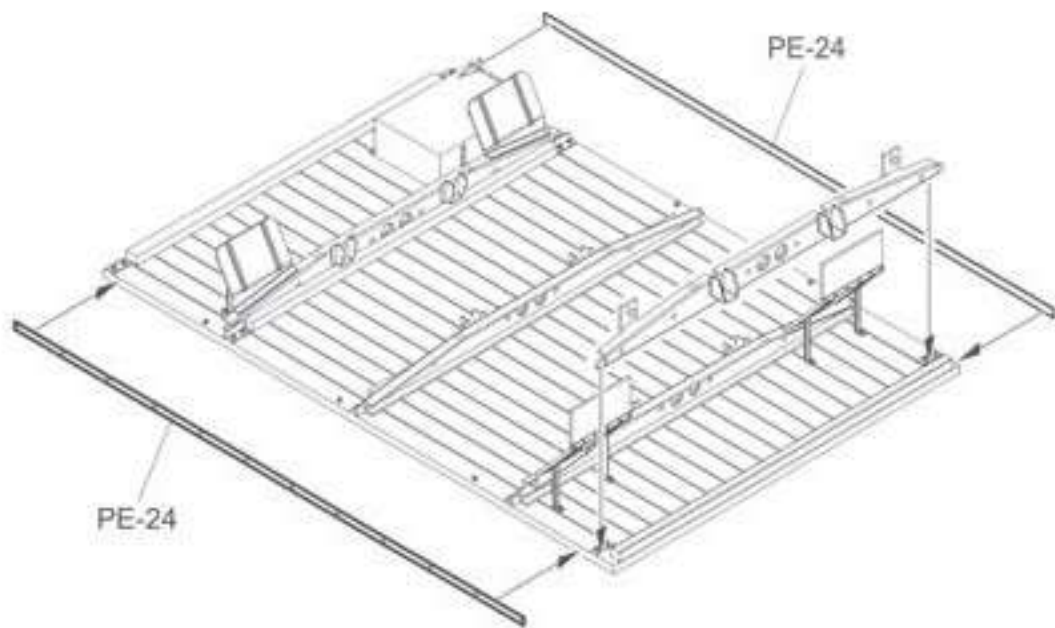




E7





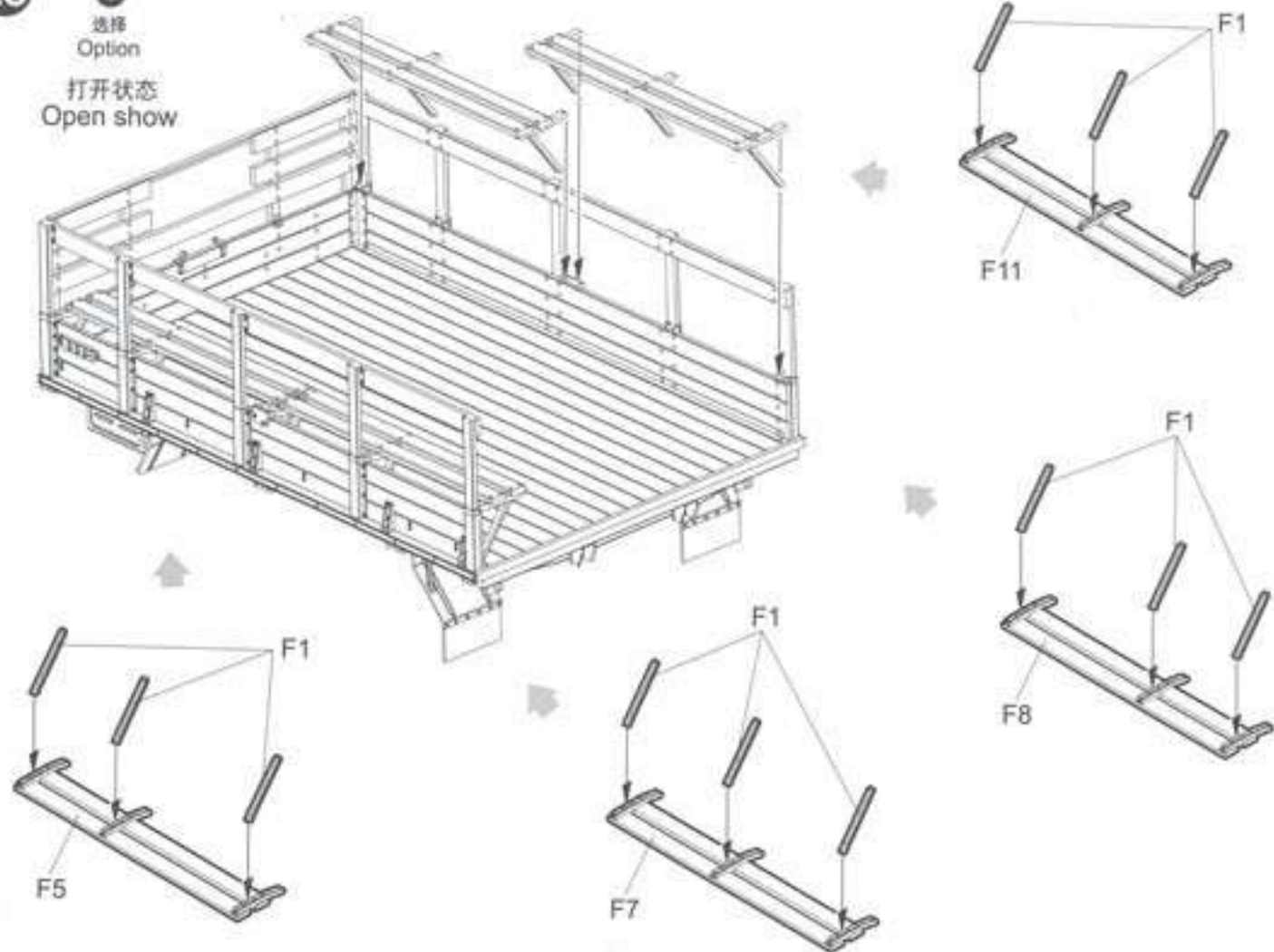


28



选择
Option

打开状态
Open show

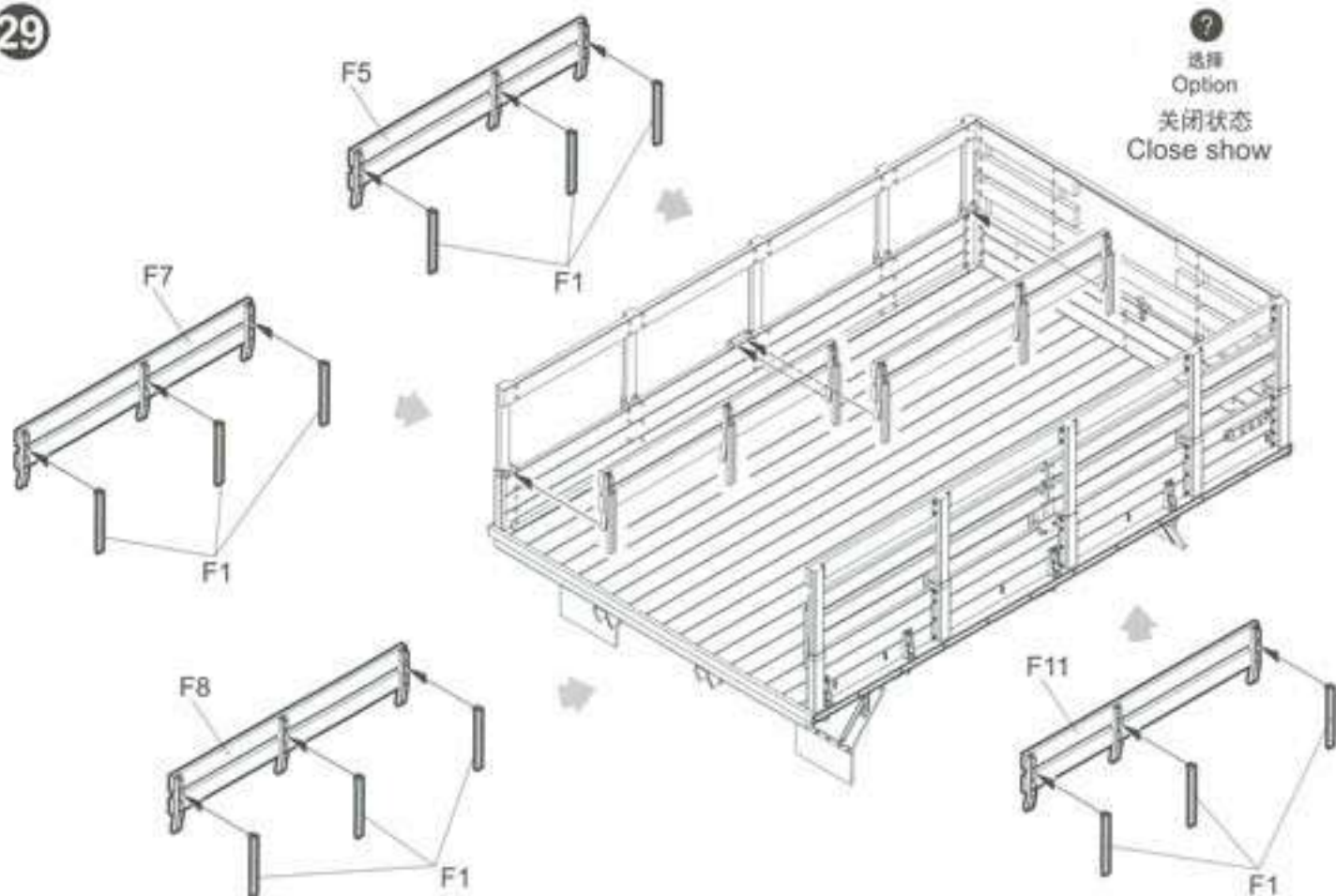


29

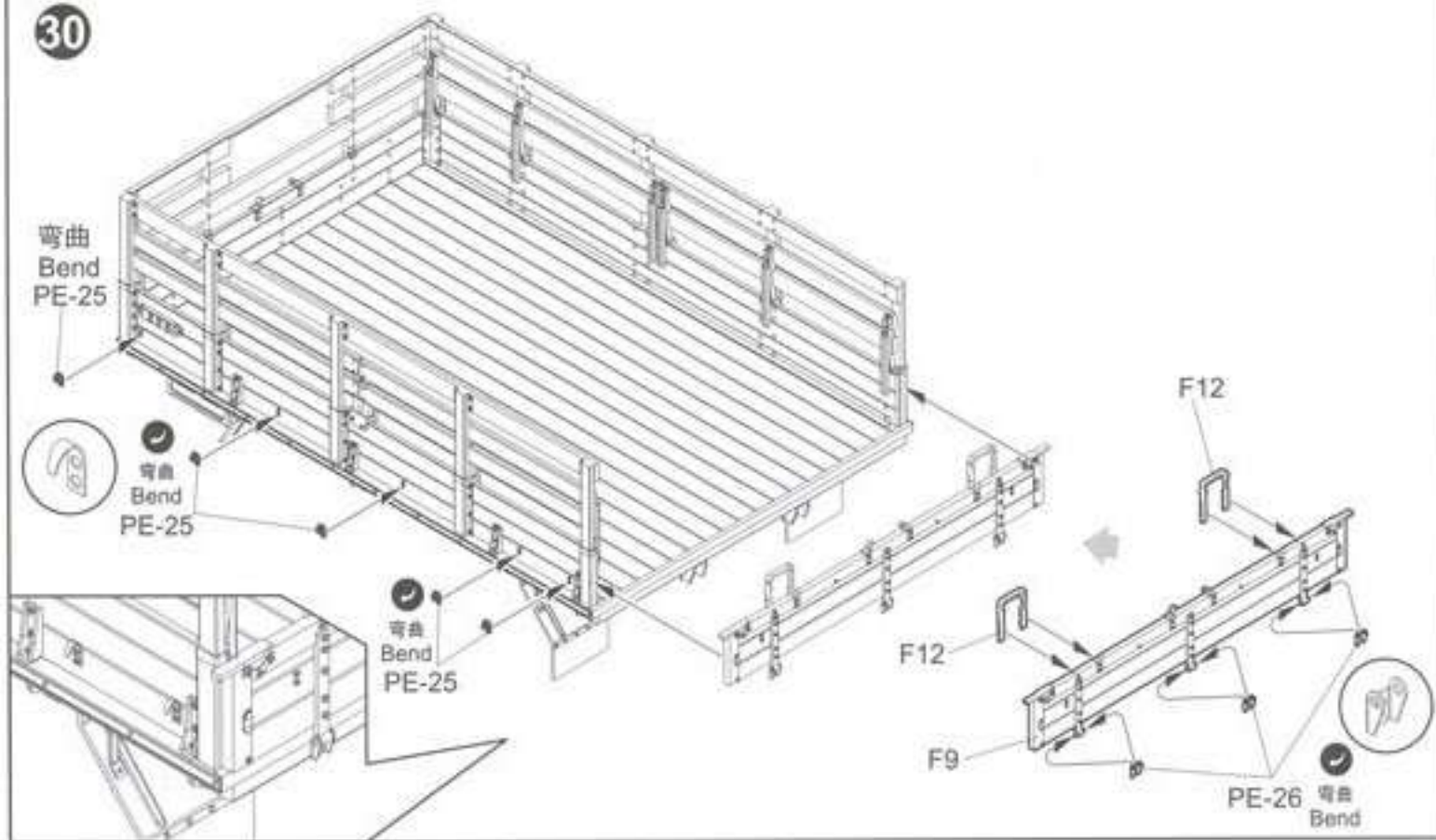


选择
Option

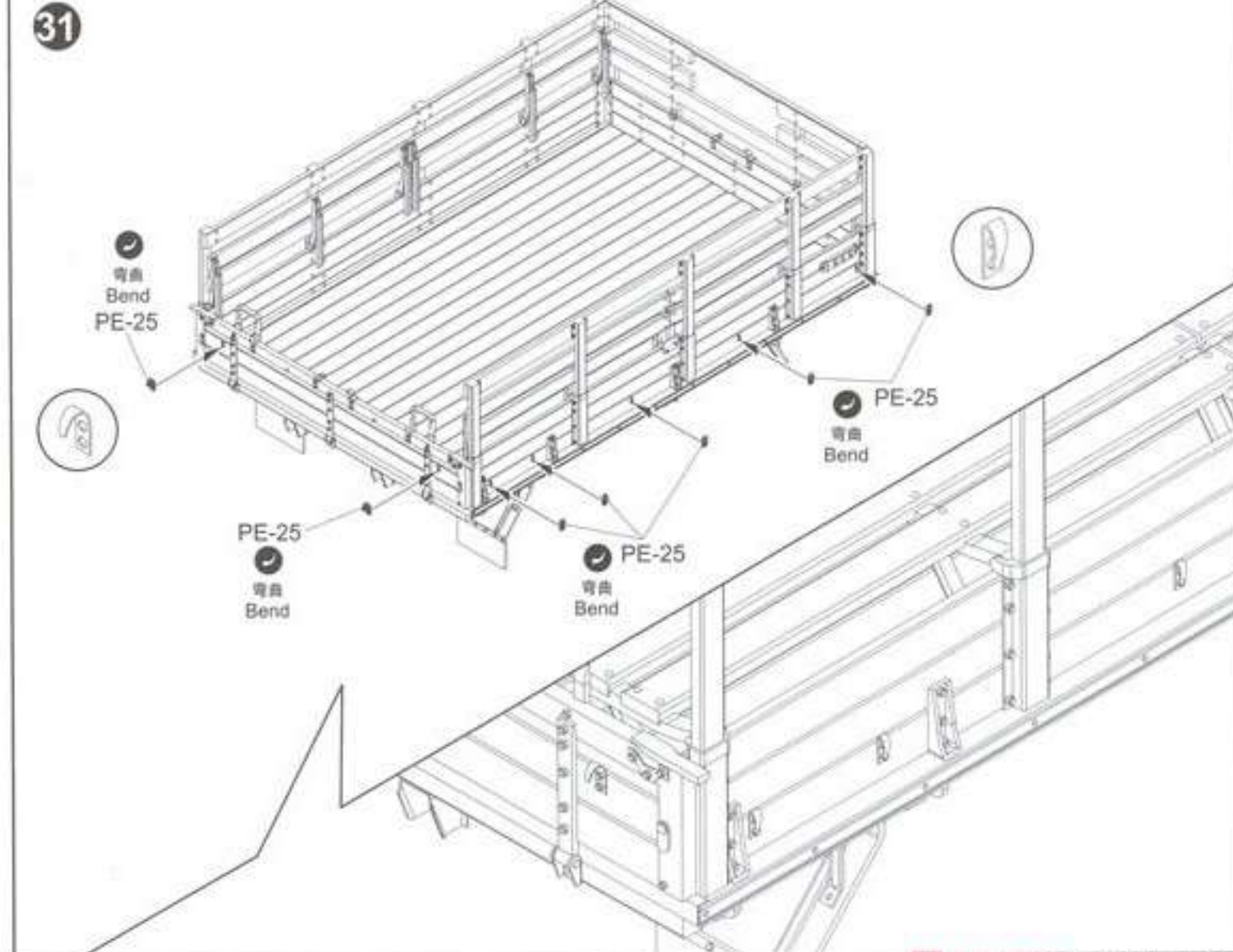
关闭状态
Close show



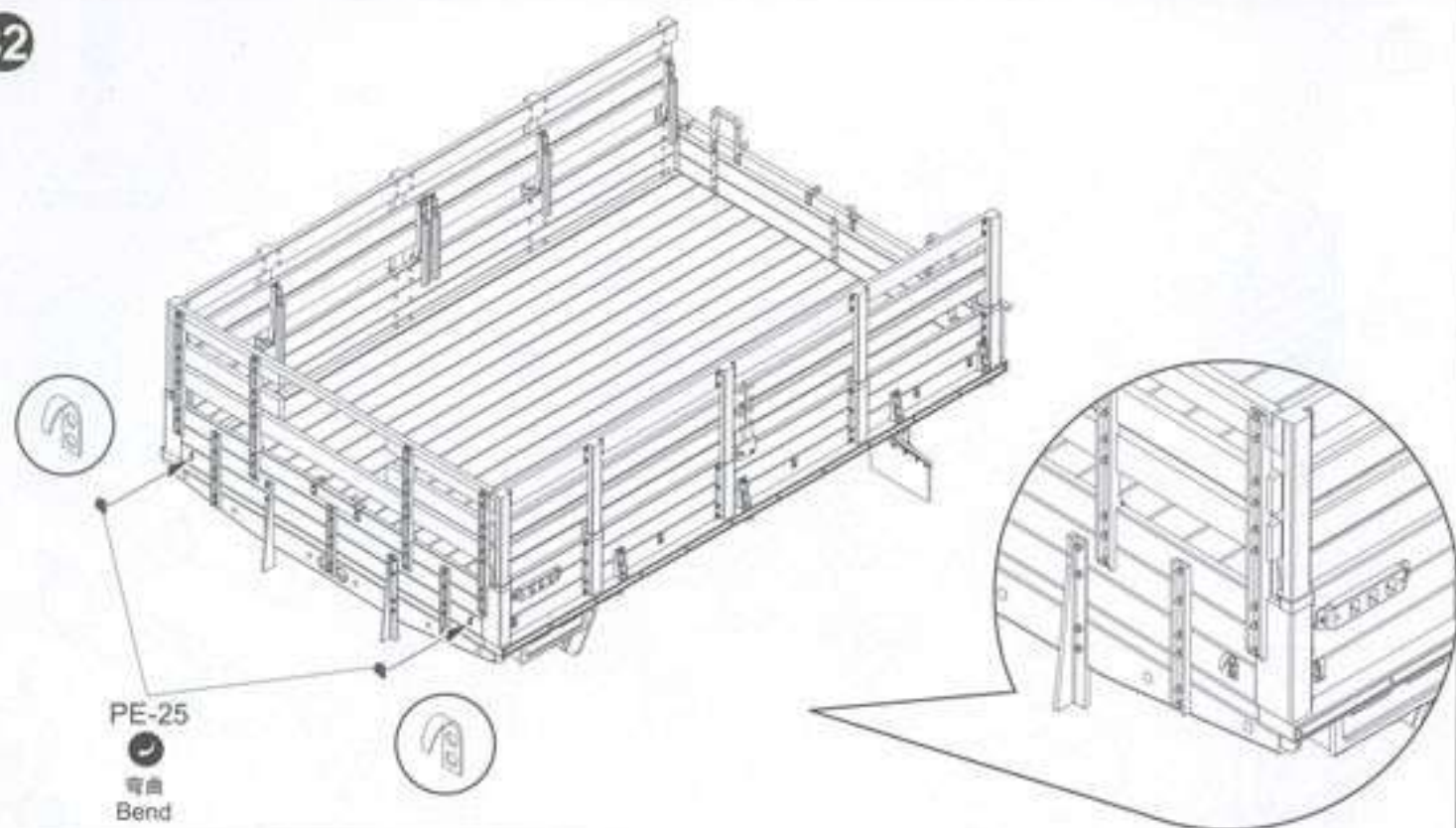
30



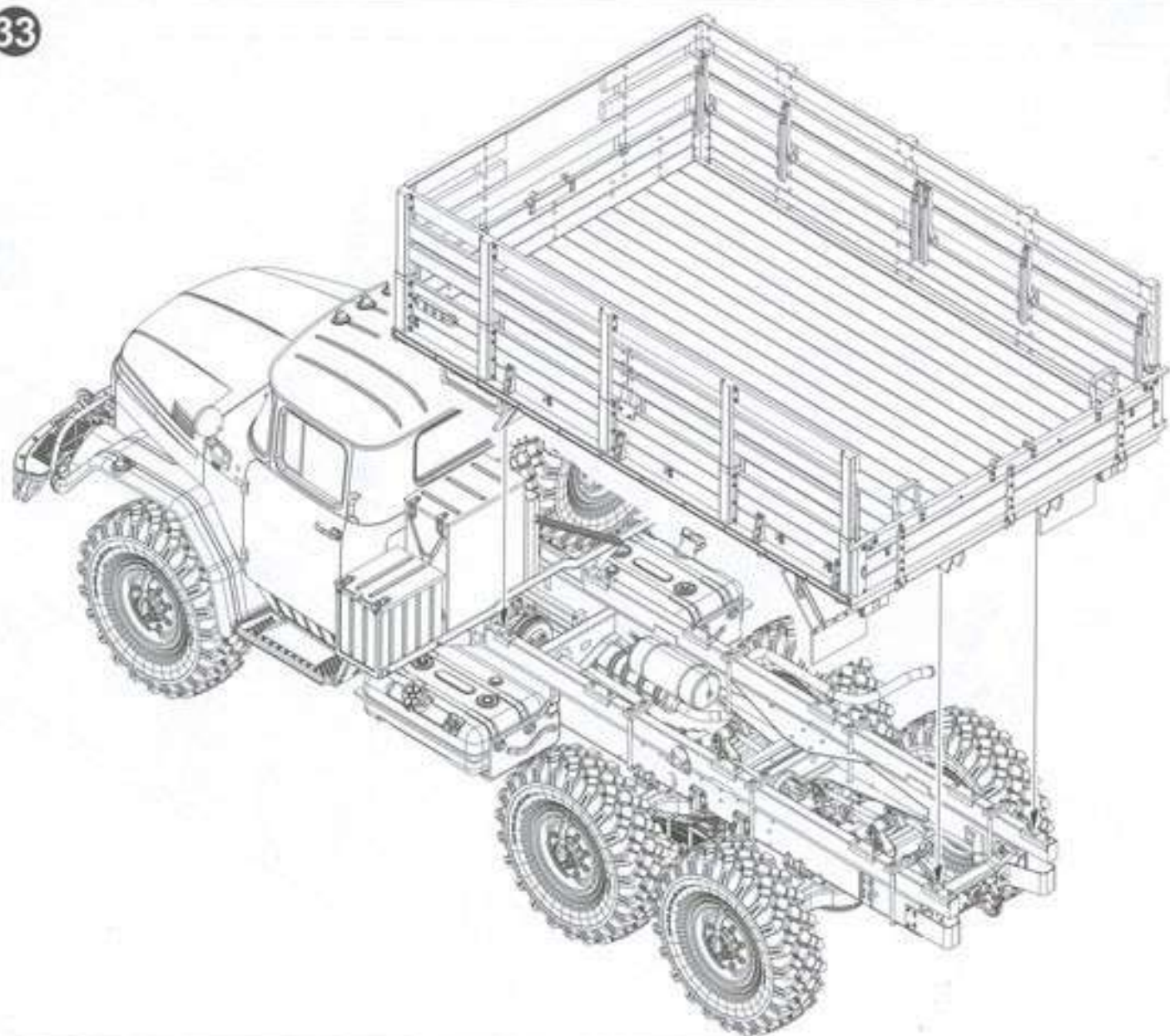
31

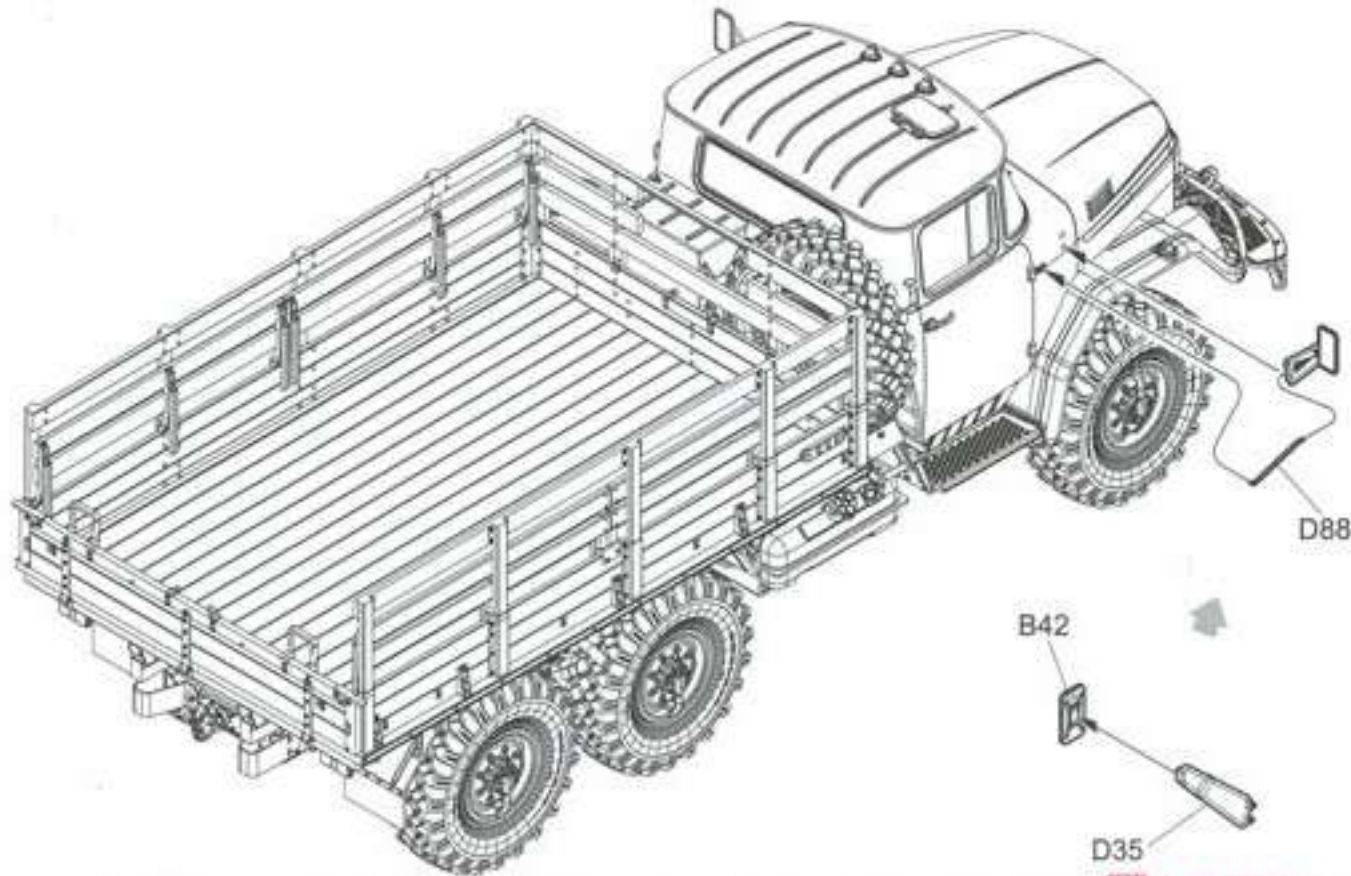
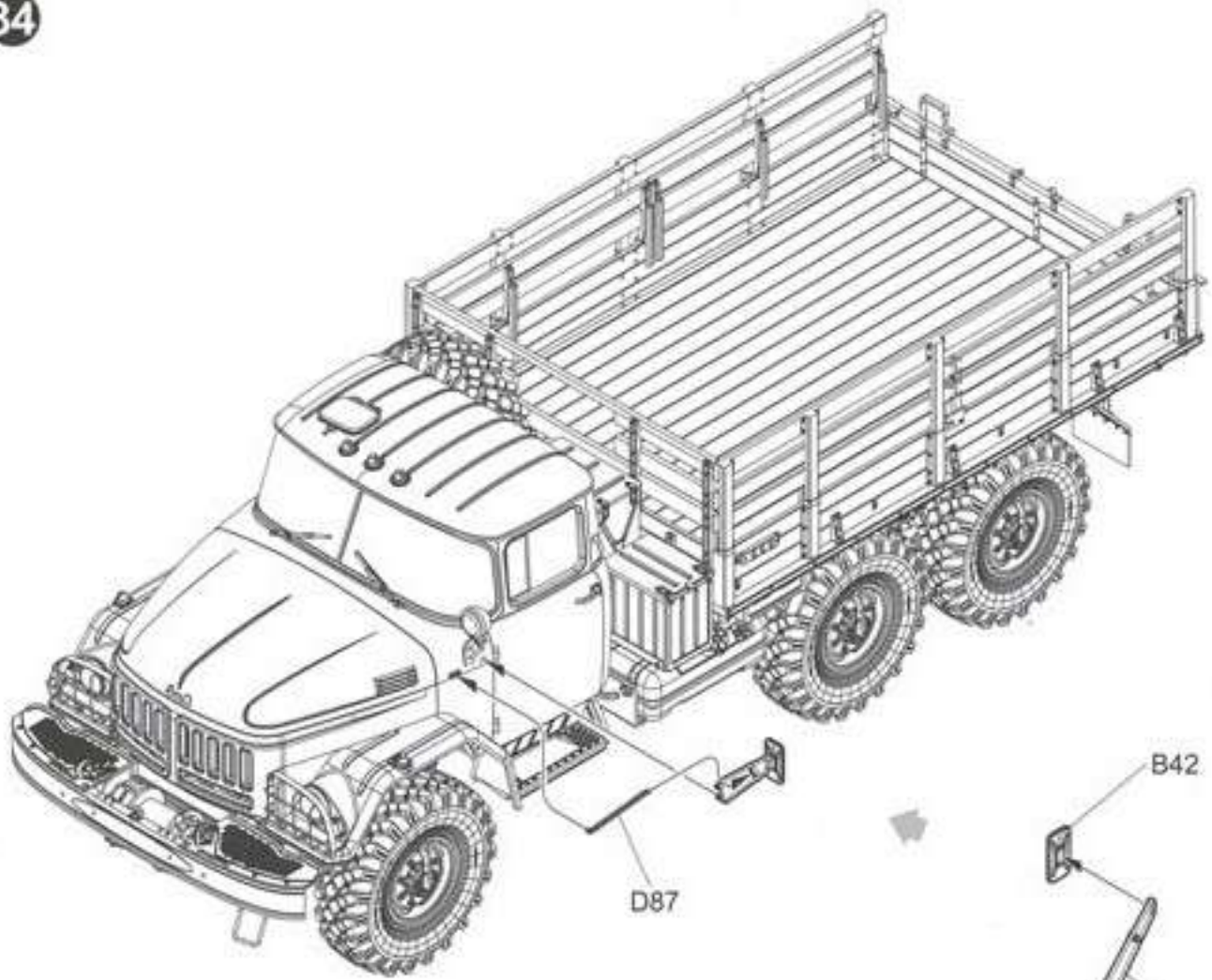


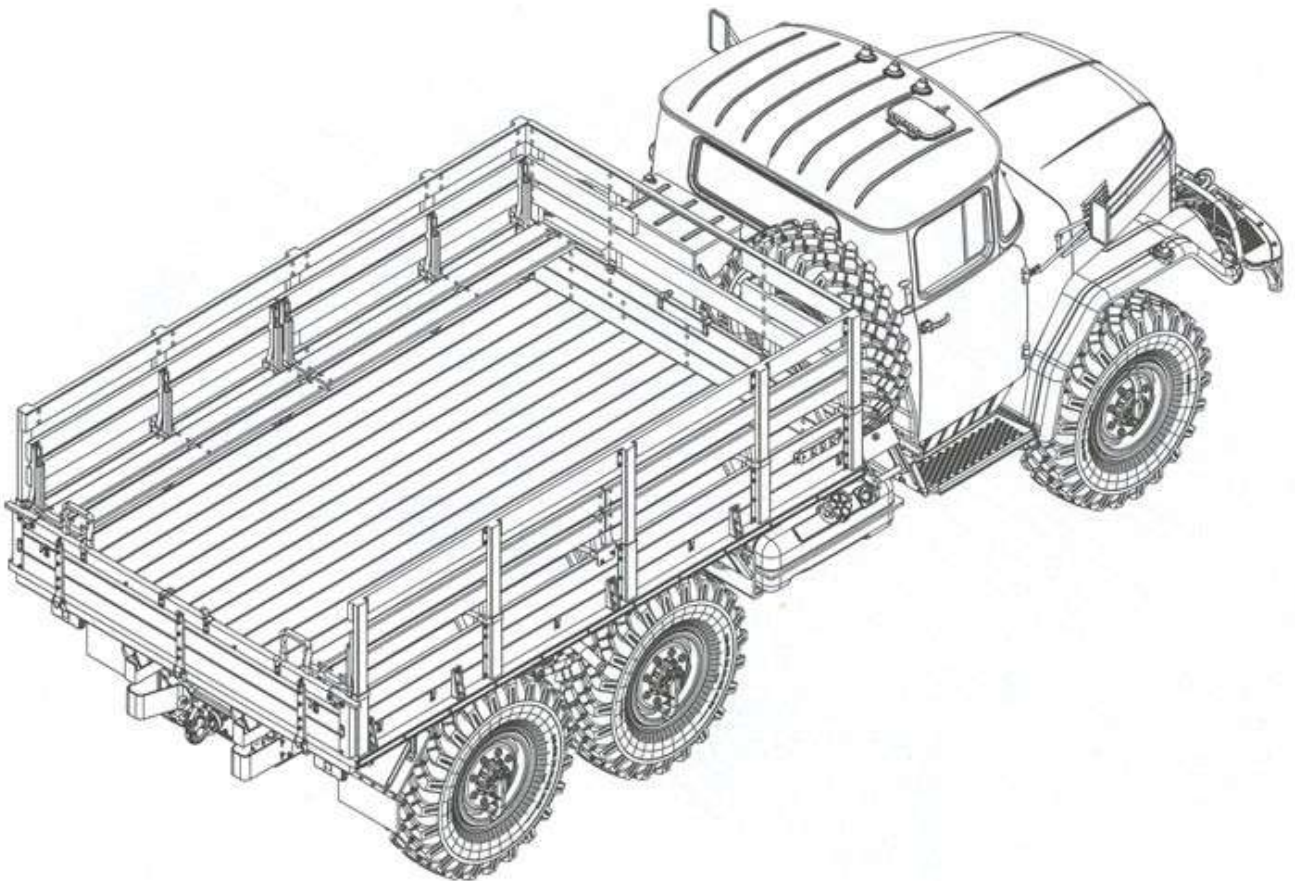
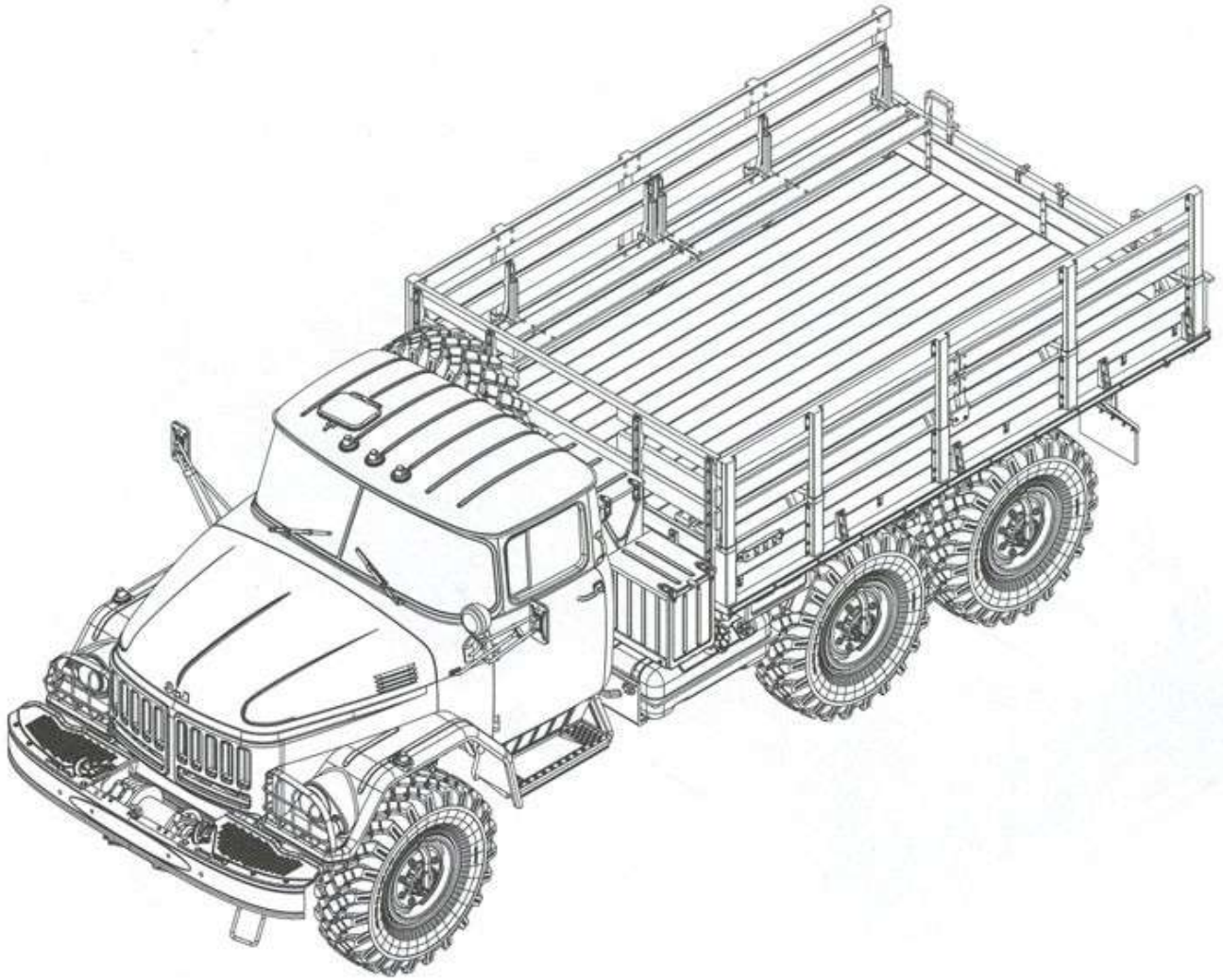
32



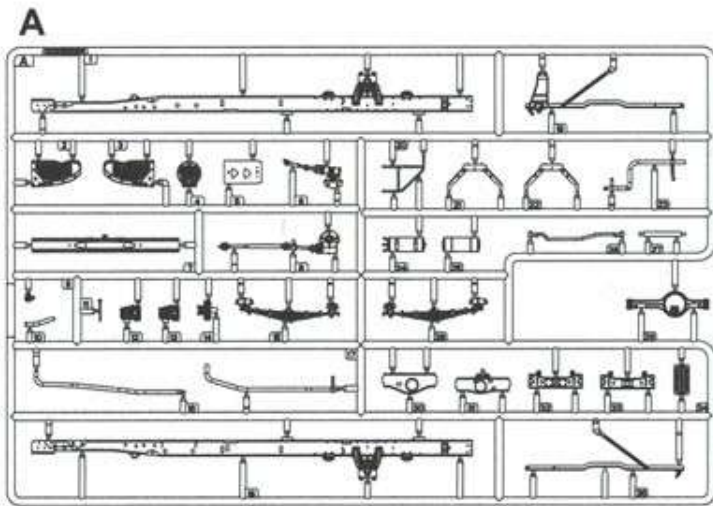
33



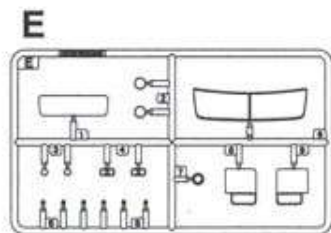
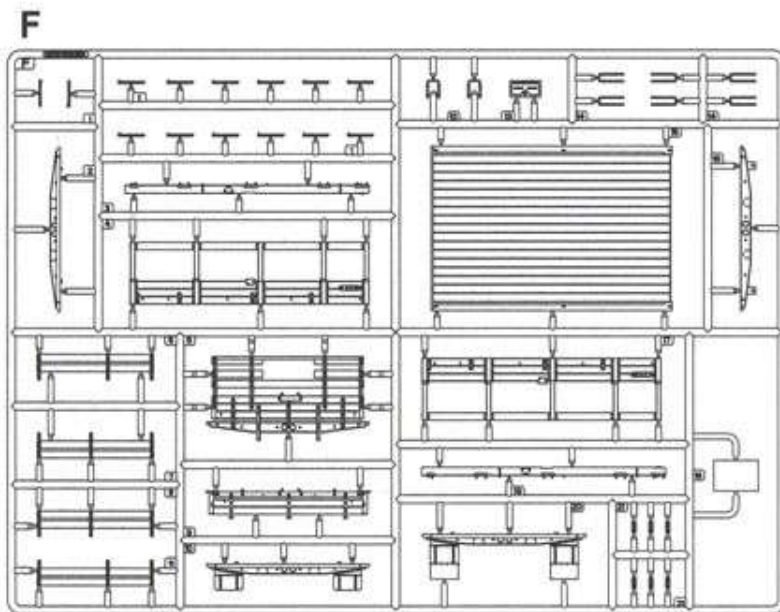
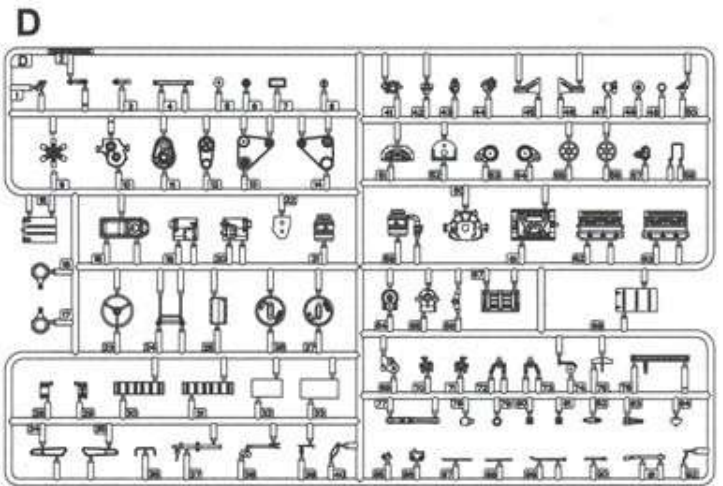
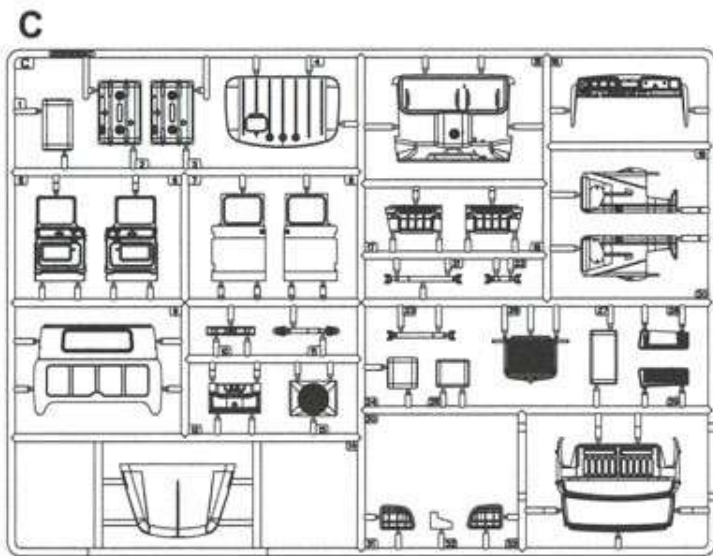
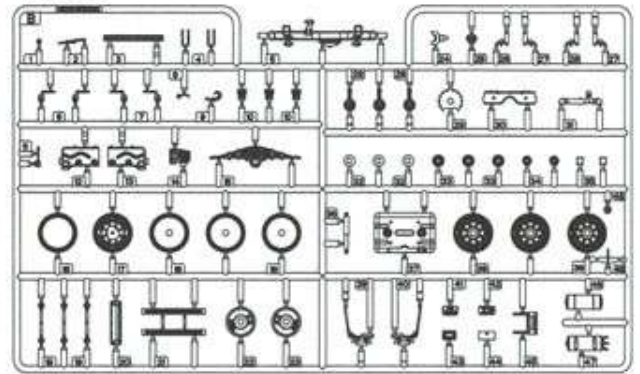




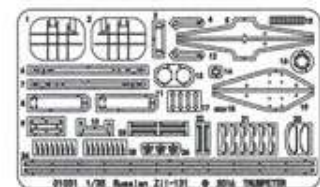
部品图 Parts



B x2



《蚀刻片》
PE



《水贴》
Decal



《遮羞纸》
Die-cut mask



《轮胎》x7
Tyre



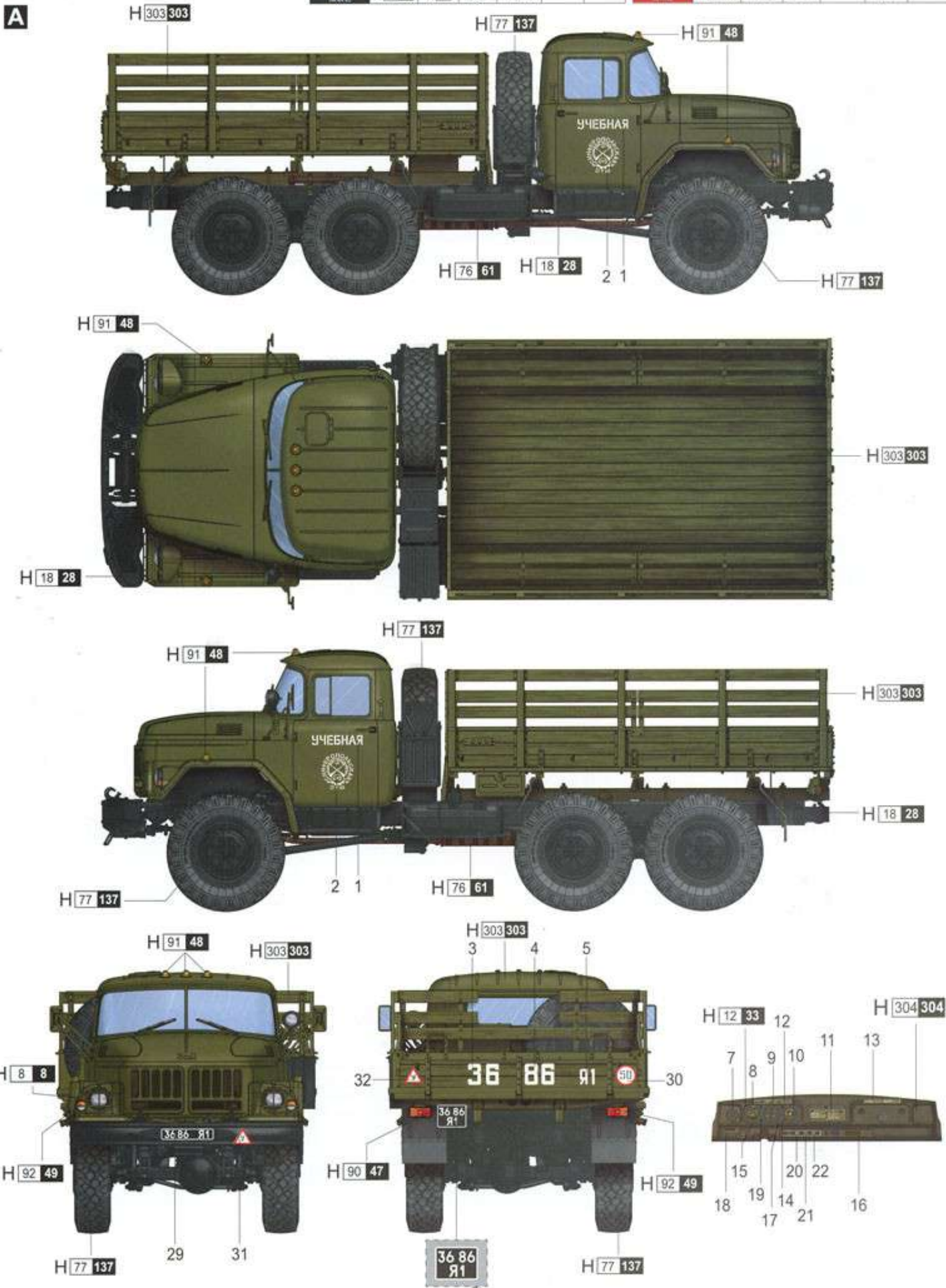
涂装同标贴指示 Painting & Marking guide

PAINT REFERENCE COLOR

Color	Mr.Hobby	Acrycion	Vallejo	Model Master	Tamiya	Humbrol
Light Green 浅绿色	H[303 303]	N[303]	-	1713	XF20	117
Tire Black 胎黑色	H[77 137]	N[77]	-	-	-	-
Steel 灰白色	H[18 28]	N[18]	864	1402	-	-

PAINT REFERENCE COLOR

Color	Mr.Hobby	Acrycion	Vallejo	Model Master	Tamiya	Humbrol
Clear Yellow 透明黄	H[91 48]	N[91]	937	-	X24	-
Clear Orange 透明橙	H[92 49]	N[92]	935	-	X26	-
Clear Red 透明红	H[90 47]	N[90]	934	-	X27	-



H AQUEOUS HOBBY COLOR Mr. COLOR
N ACRYCION COLOR

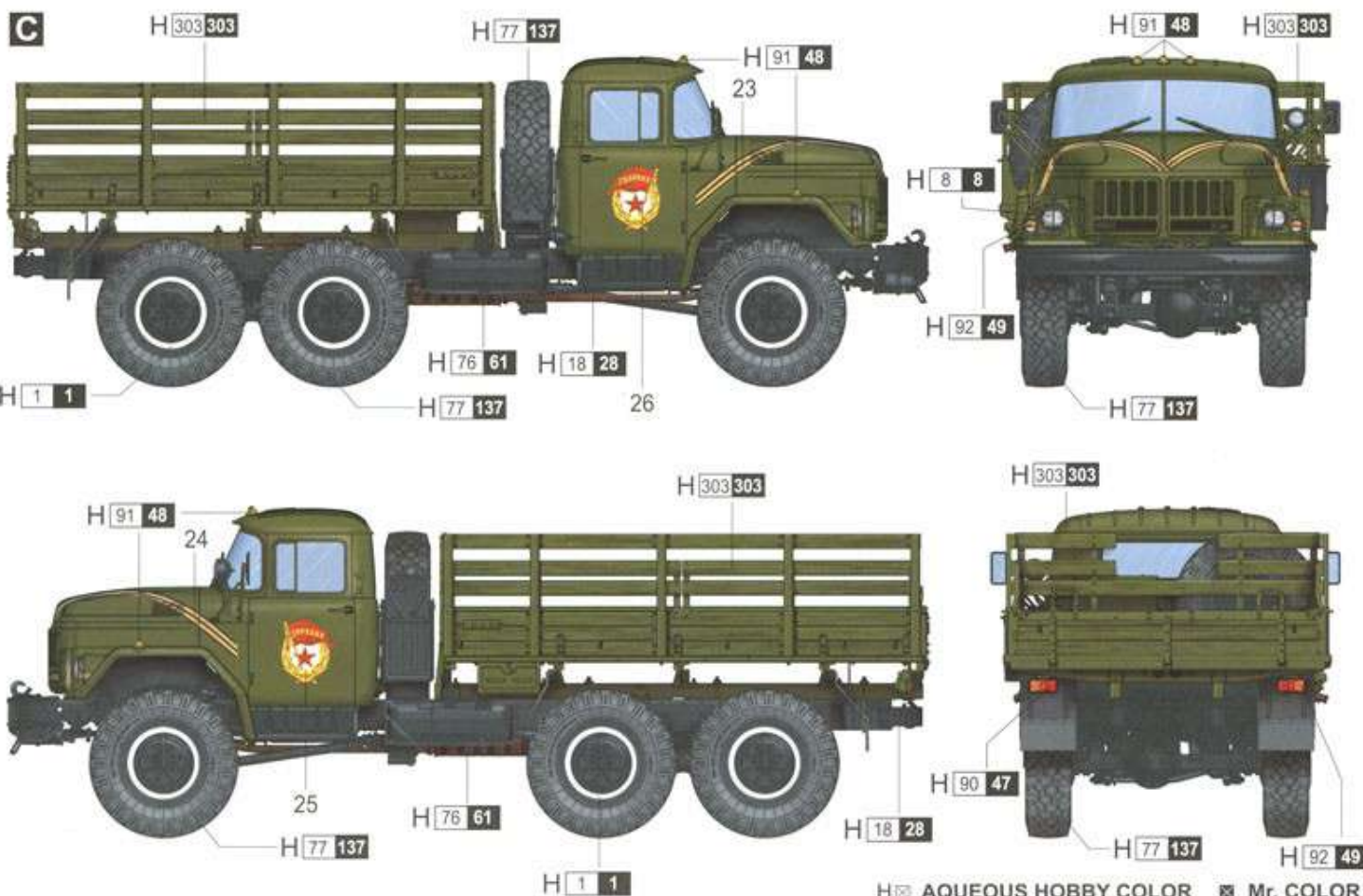
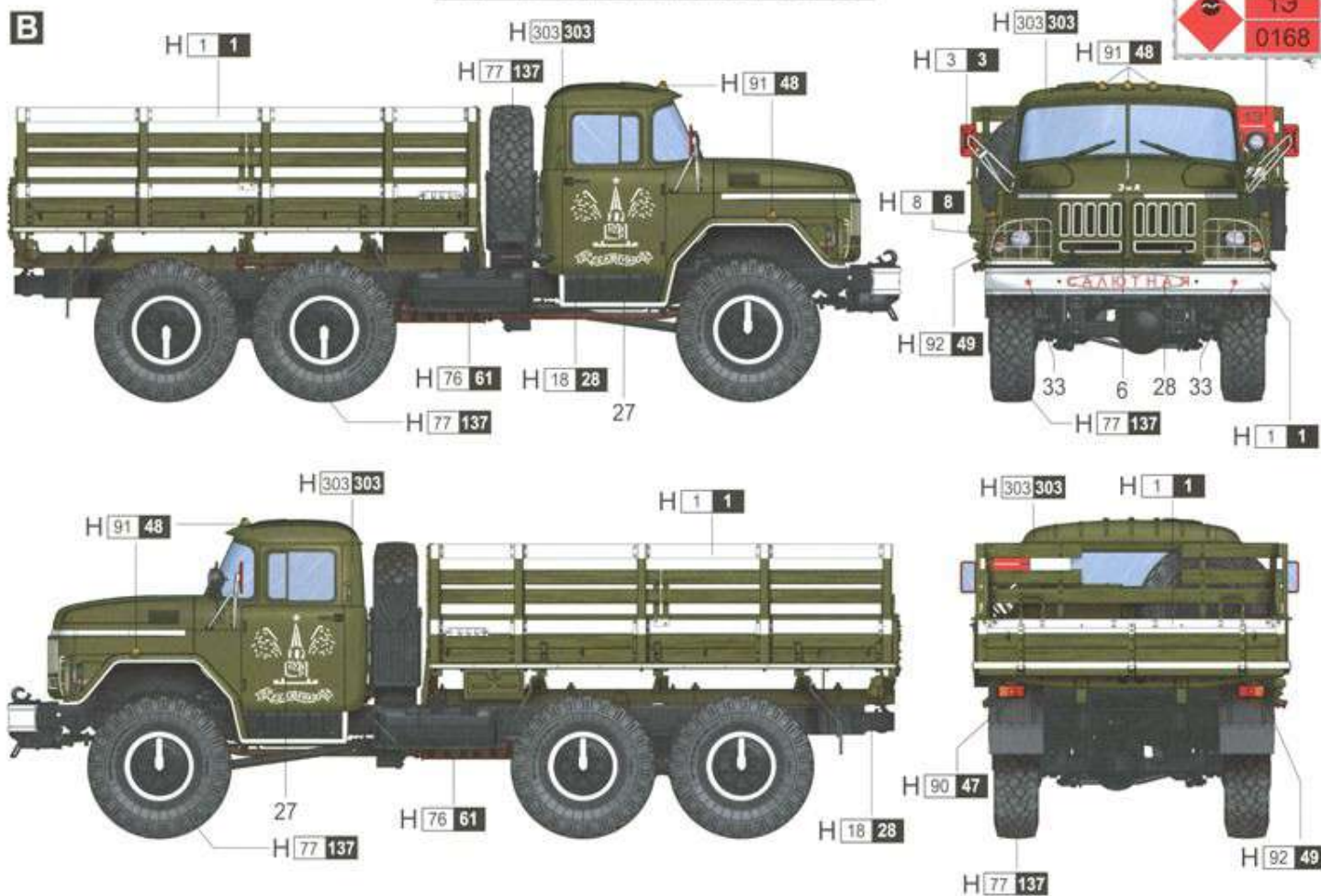
涂装同标贴指示 Painting & Marking guide

PAINT REFERENCE COLOR

Color	Mr.Hobby	Acrycion	Vallejo	Model Master	Tamiya	Humbrol
Silver 银色	H 8 8	N 8	997	1546	X11	11
Olive Drab 橄榄色	H 303 303	N 304	887	1711	XF62	155
White 白色	H 1 1	N 1	842	1745	X2	22

PAINT REFERENCE COLOR

Color	Mr.Hobby	Acrycion	Vallejo	Model Master	Tamiya	Humbrol
Red 红色	H 3 3	N 3	908	1503	X7	19
Burned Iron 锈棕色	H 76 61	N 76	863	1795	X10	53



H AQUEOUS HOBBY COLOR Mr. COLOR
N ACRYCION COLOR

PAINT REFERENCE COLOR

Color	Mr.Hobby	Acrycion	Vallejo	Model Master	Tamiya	Humbrol
Light Green 綠色	H 303 303	N 303	-	1713	XF20	117
Tire Black 胎黑色	H 77 137	N 77	-	-	-	-
Steel 黑铁色	H 18 28	N 18	864	1402	-	-

PAINT REFERENCE COLOR

Color	Mr.Hobby	Acrycion	Vallejo	Model Master	Tamiya	Humbrol
Clear Yellow 透明黄	H 91 48	N 91	937	-	X24	-
Clear Orange 透明橘	H 92 49	N 92	935	-	X26	-
Clear Red 透明红	H 90 47	N 90	934	-	-	-

PAINT REFERENCE COLOR

Color	Mr.Hobby	Acrycion	Vallejo	Model Master	Tamiya	Humbrol
Silver 银色	H 8 8	N 8	997	1546	X11	11
Olive Drab 橄欖色	H 304 304	N 304	887	1711	XF62	155
White 白色	H 1 1	N 1	842	1745	X2	22

PAINT REFERENCE COLOR

Color	Mr.Hobby	Acrycion	Vallejo	Model Master	Tamiya	Humbrol
Red 紅色	H 3 3	N 3	908	1503	X7	19
Burned Iron 燒鉄色	H 76 61	N 76	863	1795	X10	53