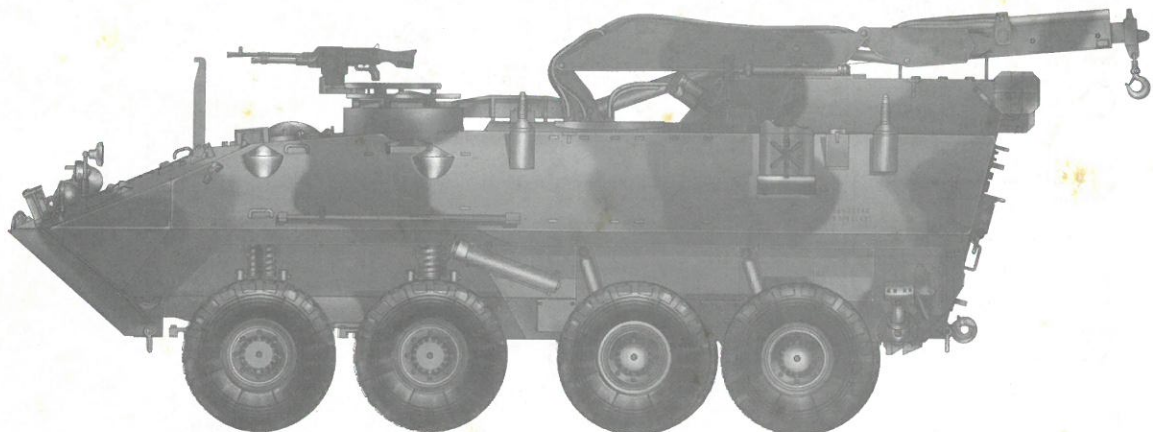


1:35 SCALE

ITEM NO.: 00370

USMC LAV-R Light Armored Vehicle Recovery

美国海军陆战队LAV-R维修车



READ BEFORE ASSEMBLY:

- This kit is not recommended for inexperienced modelers or for children under 14 years of age
- Study and understand these instructions thoroughly before beginning assembly
- When needed, remove photo-etch parts carefully using a modeling knife or photo etch sprue cutter, being careful not to damage or lose small parts.
- Take extra care in handling photo etch parts in order to avoid injury
- Apply instant cement sparingly to photo etch parts where instructed
- Tools recommended(not included in kit):Plastic and instant cements,sprue cutters,long nose pliers,,modeling knife, small files, tweezers, pin vise & scissors. Soft cloth and sandpaper will also assist in construction
- Glue and paint are not included in the kit. Use plastic cement and hobby paints only. Color guide for purchasing paint is included in the kit.
- Keep out of reach of children. They must not be allowed to ingest small parts or handle plastic bags in any way.

装配之前仔细阅读

- 小心用模型锉刀锉平所有零件表面的注射浇口。
- 小心用刀片切下蚀刻片零件，不要遗失小零件。
- 用强力快干胶水粘合蚀刻片零件和金属轴。过量的快干胶水使用可能导致可动零件会粘住，小心涂胶。
- 取蚀刻片时应特别注意安全，防止利边划伤手指。
- 某些零件表面需贴水上贴纸，请选择在装配的同时进行。
- 推荐模型工具(自备)：胶水，水口剪刀，长咀钳，刀片，锉刀，镊子，钳，钻，剪刀，瞬间快干胶。
- 软布同砂纸同时也应该是必备工具。
- 请使用塑料胶水和油漆，模型内不含。
- 谨防小孩吸吮塑料零件，或者将塑料袋套在头上，制作时应将套材远离小孩接触。
- 本产品不适合14岁以下没有经验的模型爱好者。



贴纸
Decal



锉平
File / Sand



选择
Option



不涂胶水
No cement



弯曲
Bend



使用强力胶
Cyanoacrylate glue



配重
Weight



钻孔
Make hole



切除
Cut / Remove

水贴纸的使用:

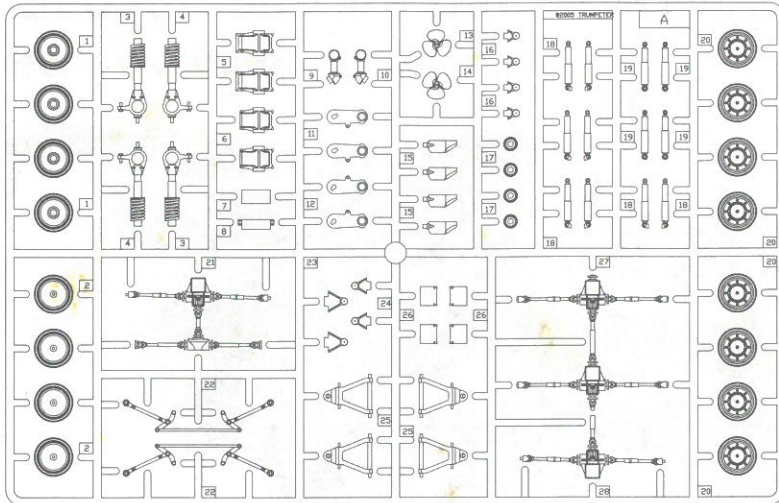
1. 从水贴纸上剪下印花;
2. 将印花放入温水中浸10秒，然后放在干净布上。
3. 拿着印花纸板将印花移到模型上;
4. 手指蘸水将印花移到适当的位置;
5. 用软布轻压印花直至水干，气泡消失。

DECAL APPLICATION

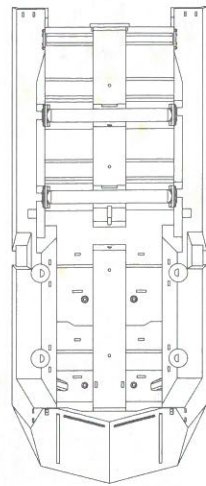
1. Cut off decal from sheet.
2. Dip the decal in tepid water 40°C for about 10 sec. and place on a clean cloth.
3. Hold the backing sheet edge and slide decal onto the model.
4. Move decal into position by wetting decal with finger.
5. Press decal gently down with a soft cloth until excess water and air bubbles are gone.
6. Allow decal to dry completely before handling model.

Parts 部品图

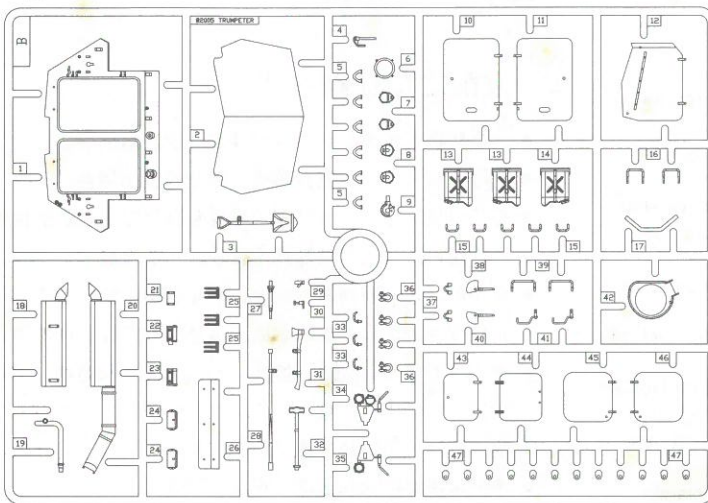
A



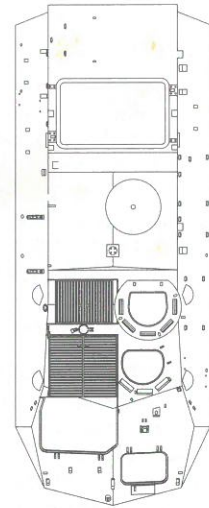
<<车底>>
Lower hull



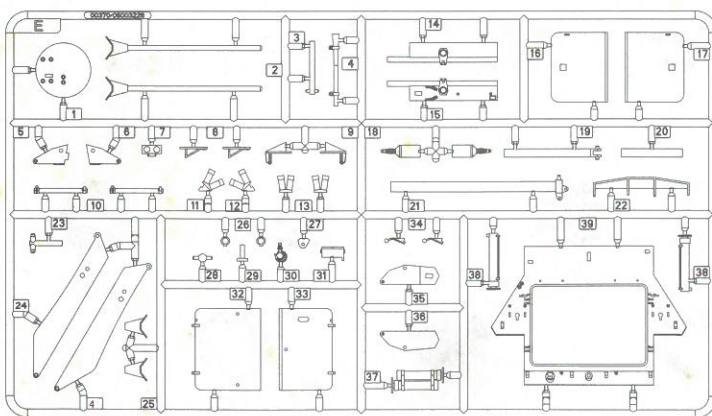
B



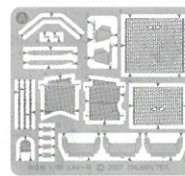
<<车面>>
Upper hull



E



<<蚀刻片>>-A
PE-A



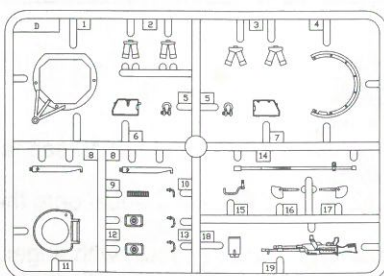
<<蚀刻片>>-B
PE-B



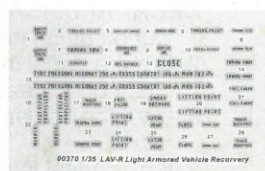
<<轴>>
Metal Axle
Ø0.8x30mm

<<链>>(铜丝)
Chain (wire)
Ø 0.5x50mm

D



<<水贴>>
Decal



<<轮胎>>x8
Tyre8

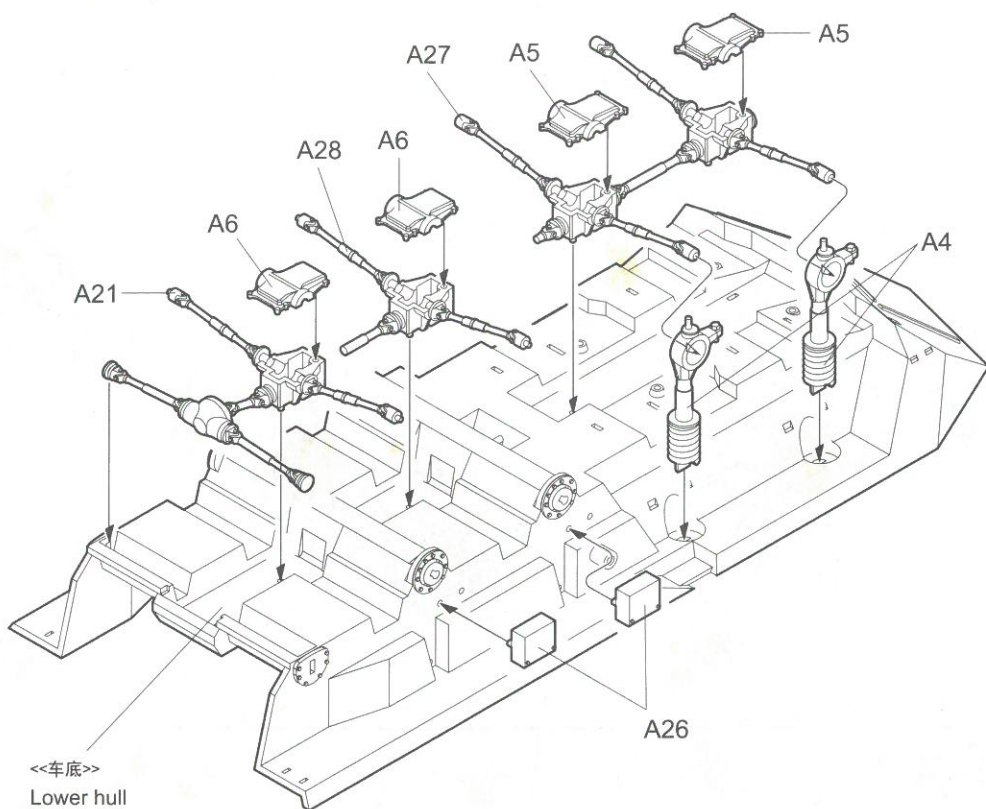


<<液压管 >>
Hydraulic pipe
Ø0.8x350mm

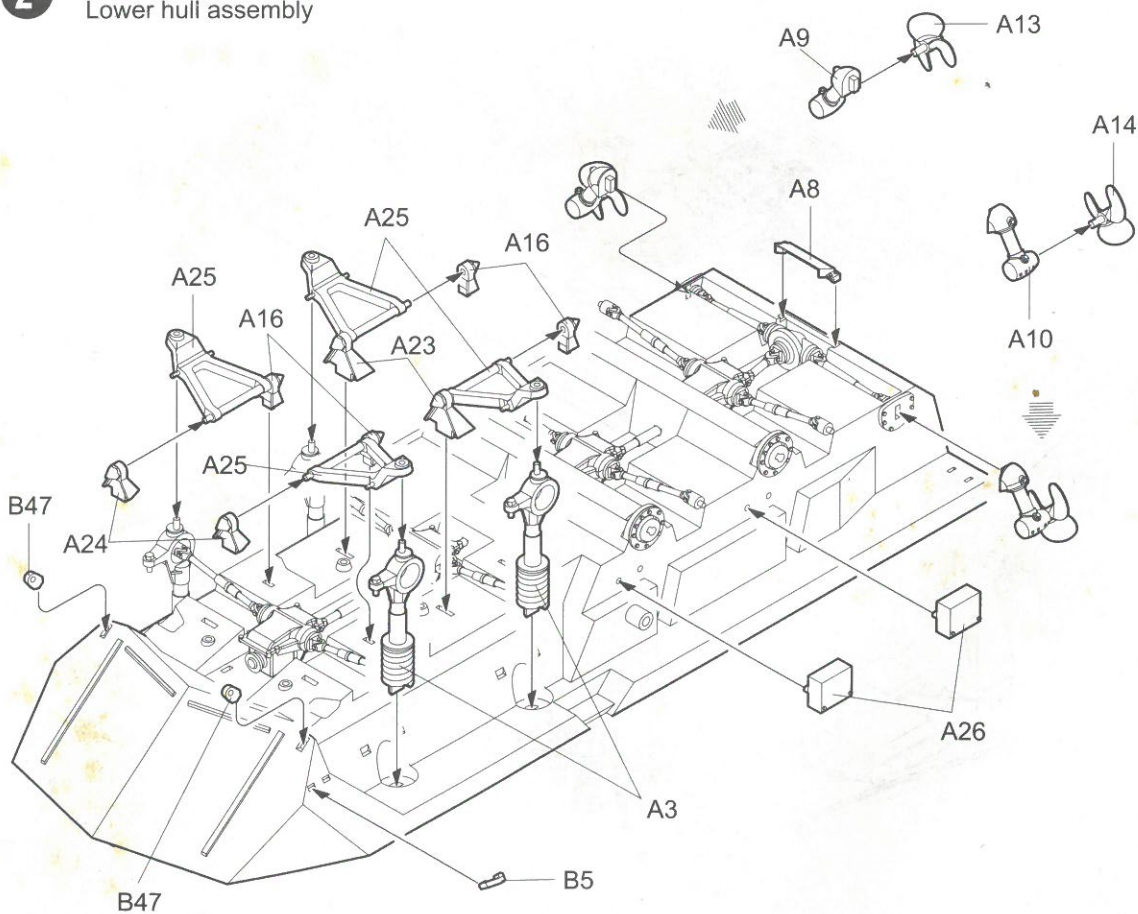


不用部品: B1,B6,B10,B11,B21,B24*2,B26,B27,B31,B32,
Unused parts B38,B44,B45,B46,D2,D3,D5,D10,D14

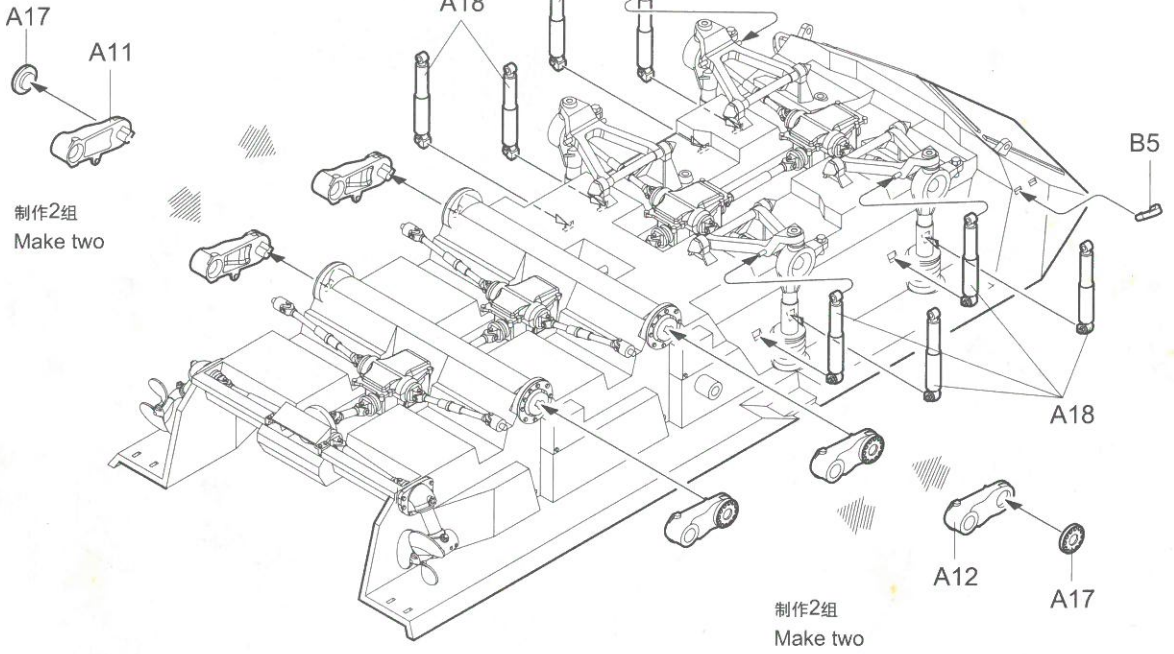
1 车底组装
Lower hull assembly



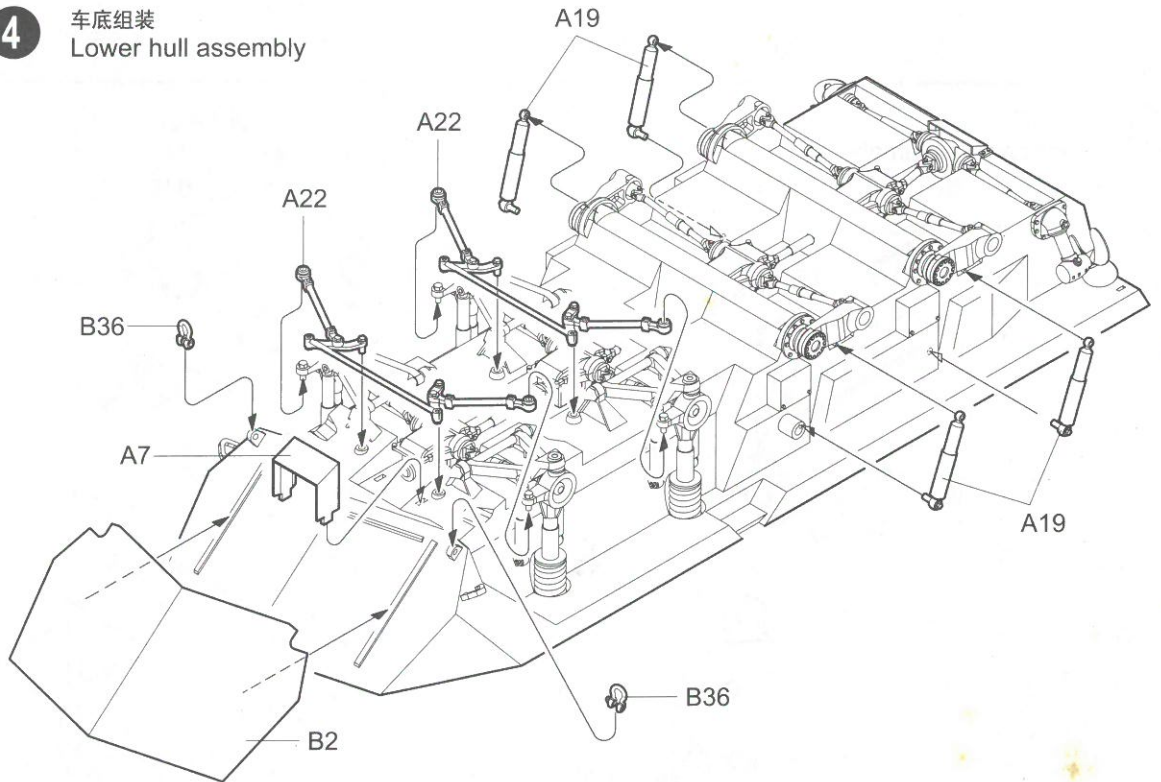
2 车底组装
Lower hull assembly



3 车底组装
Lower hull assembly

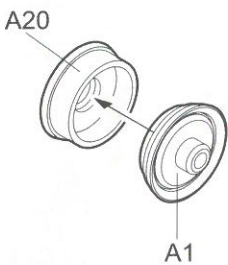


4 车底组装
Lower hull assembly



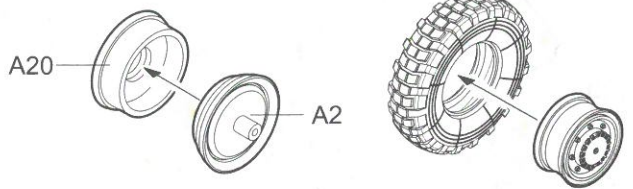
5 车轮组装
Wheel assembly

<<前轮>>
Front wheel



制作4组
Make four

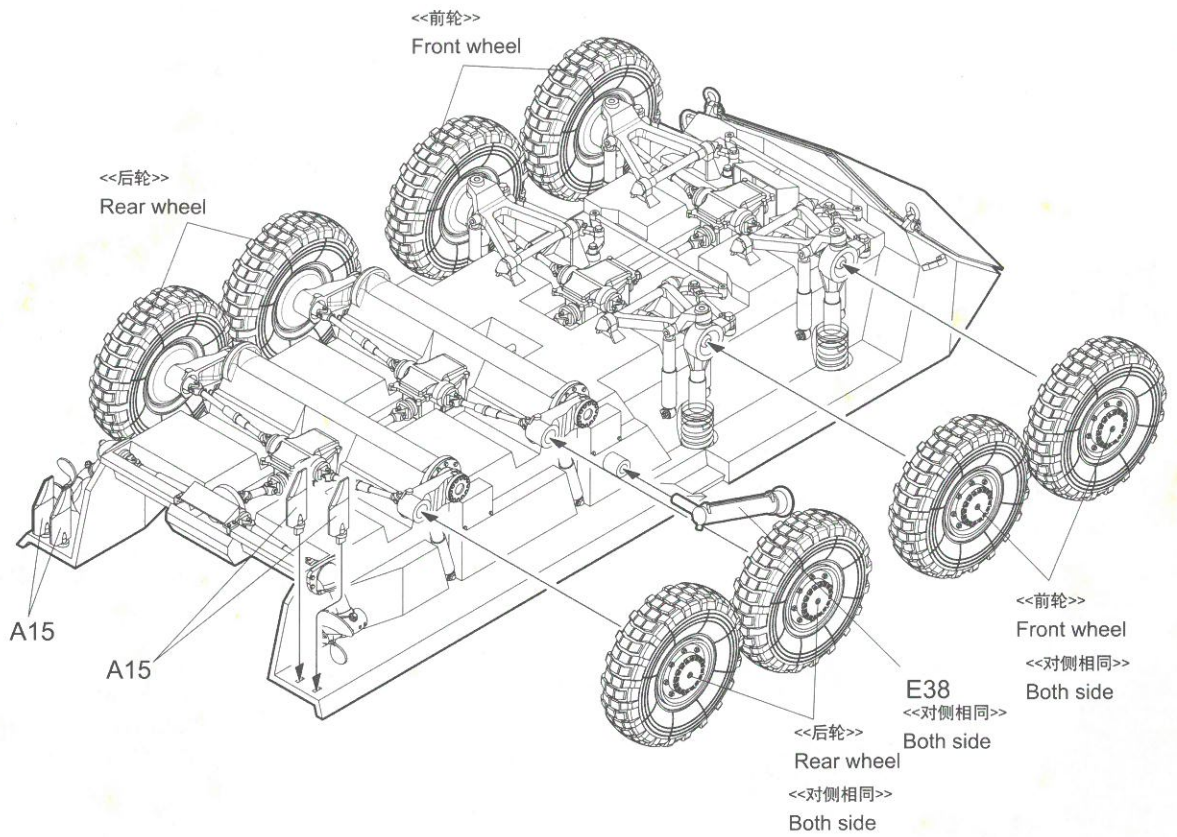
<<后轮>>
Rear wheel



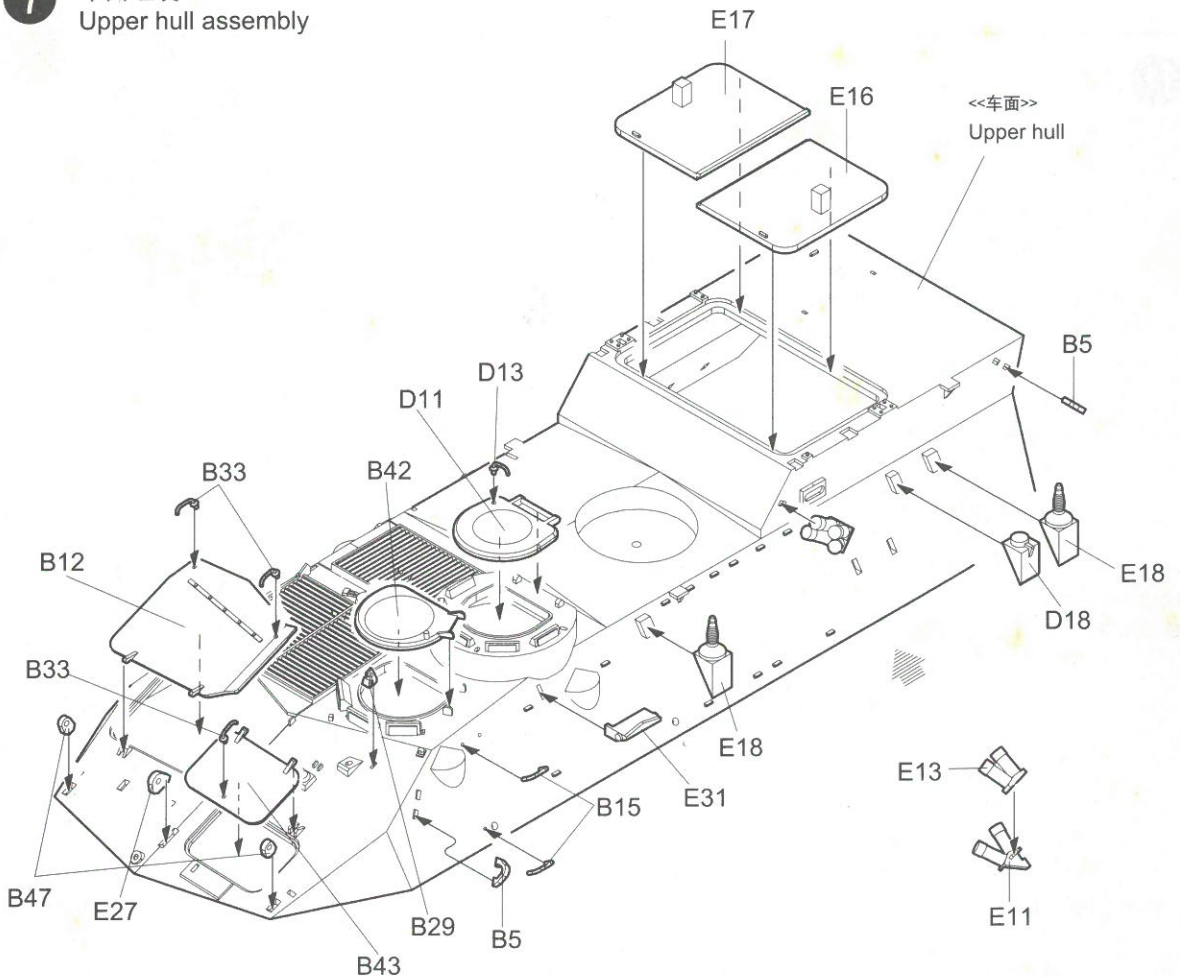
制作4组
Make four

6

车底组装
Lower hull assembly

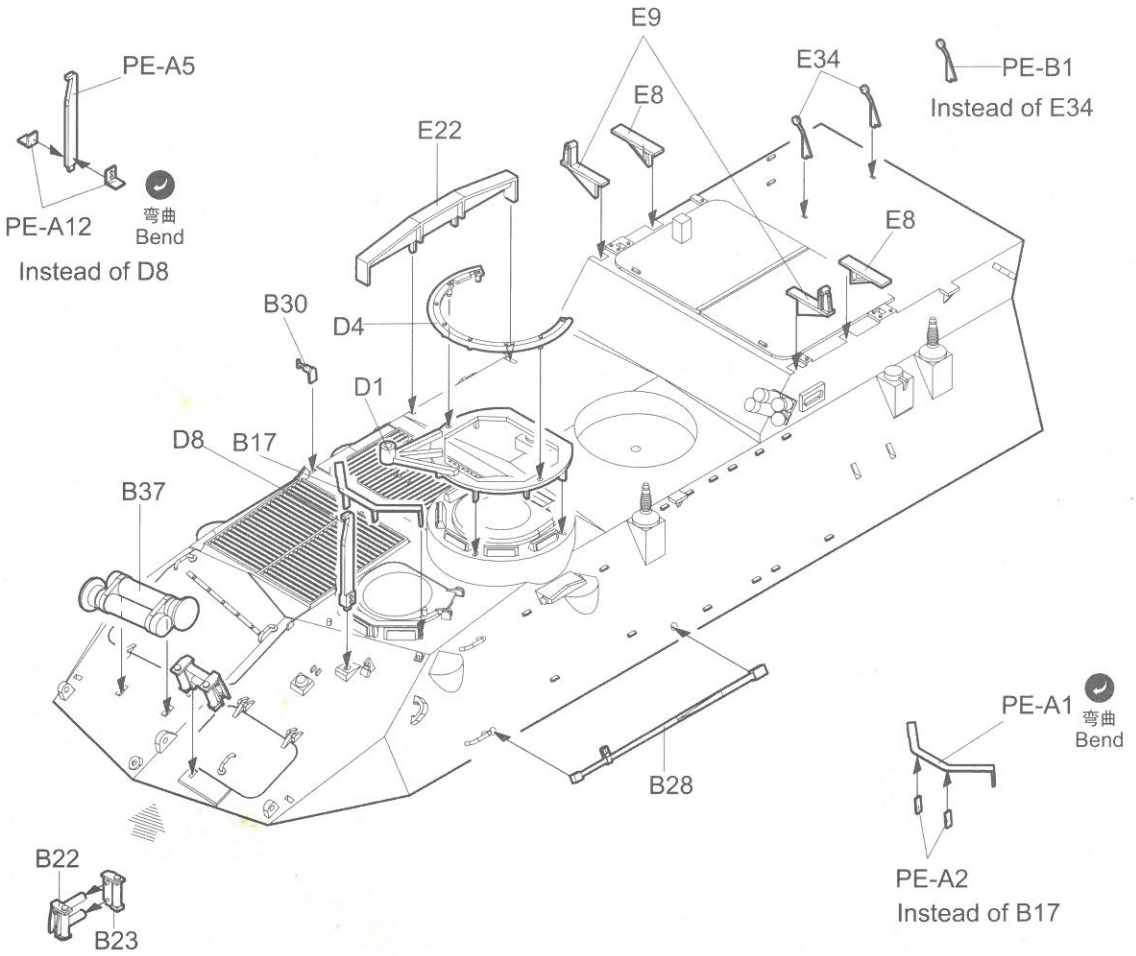
**7**

车面组装
Upper hull assembly

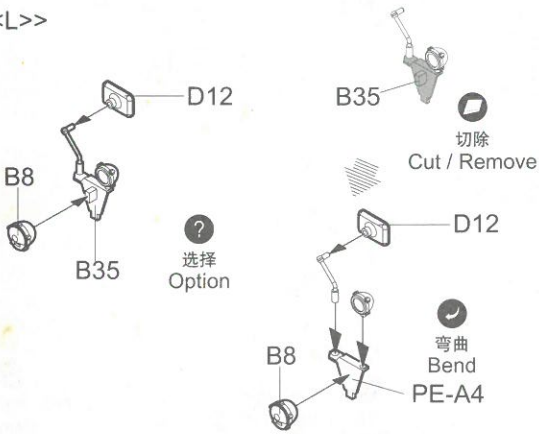


8

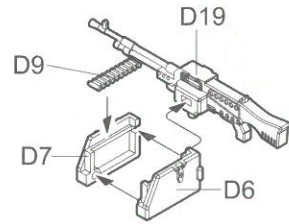
车面组装
Upper hull assembly



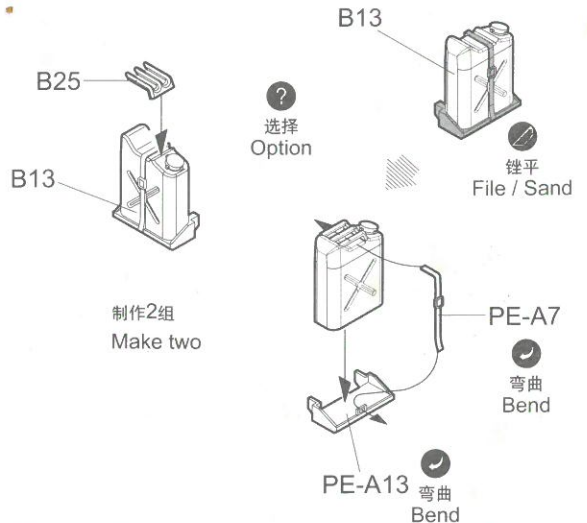
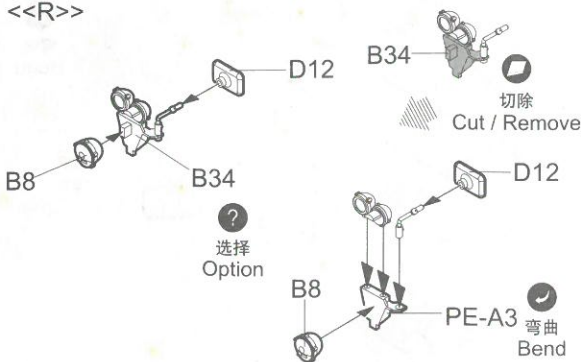
<<L>>



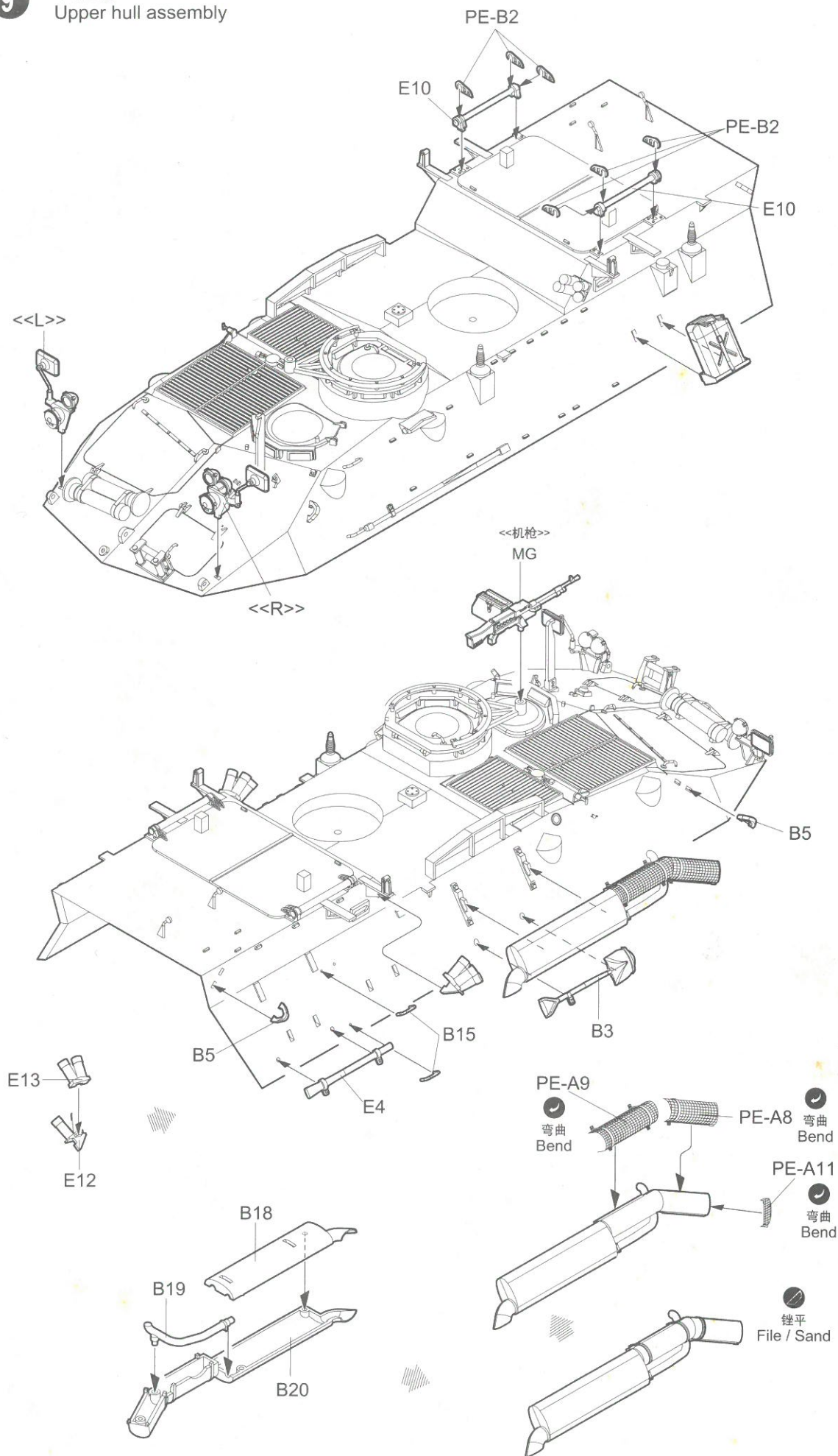
<<机枪>>
MG



<<R>>

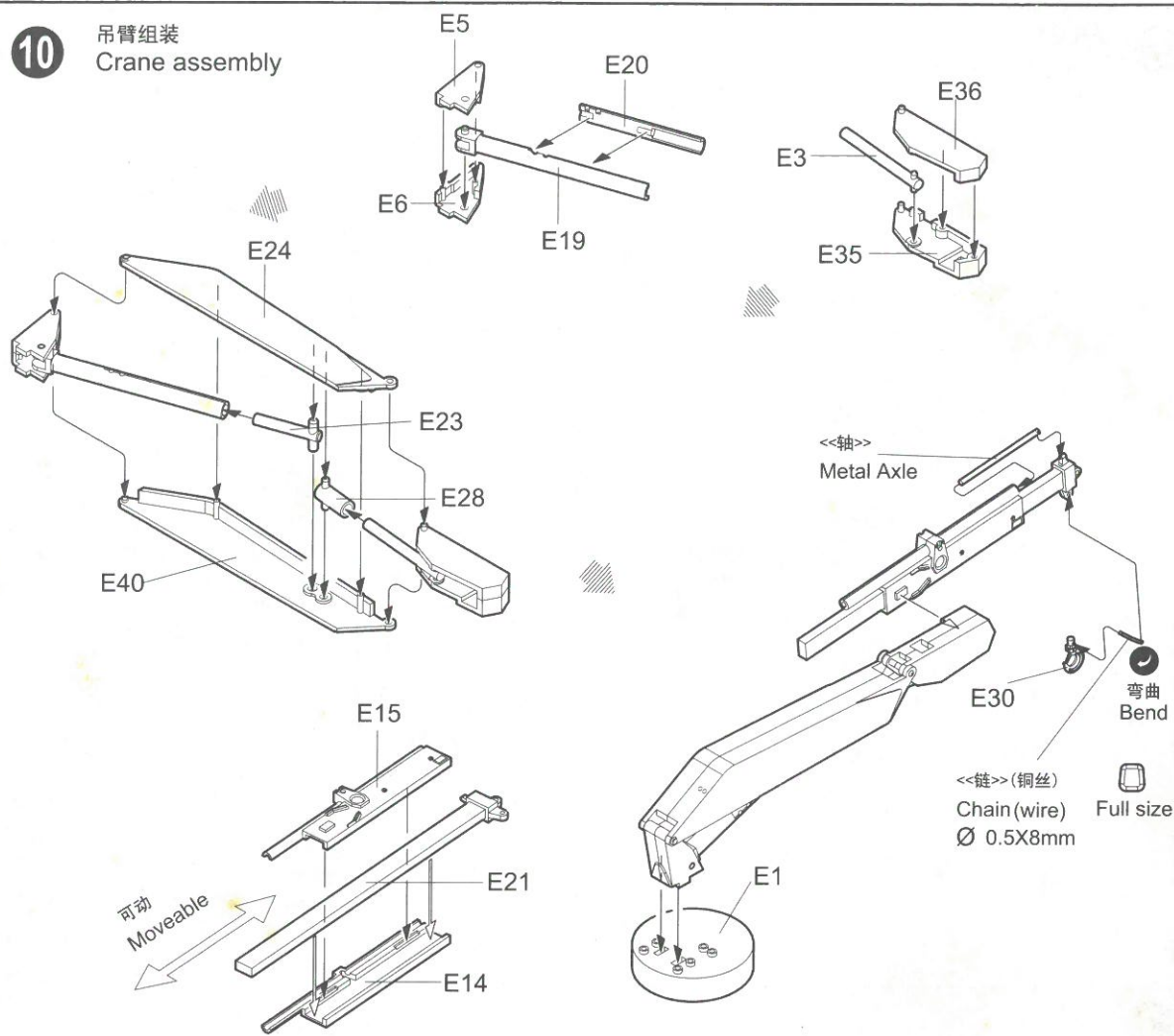


9 车面组装
Upper hull assembly



10

吊臂组装
Crane assembly



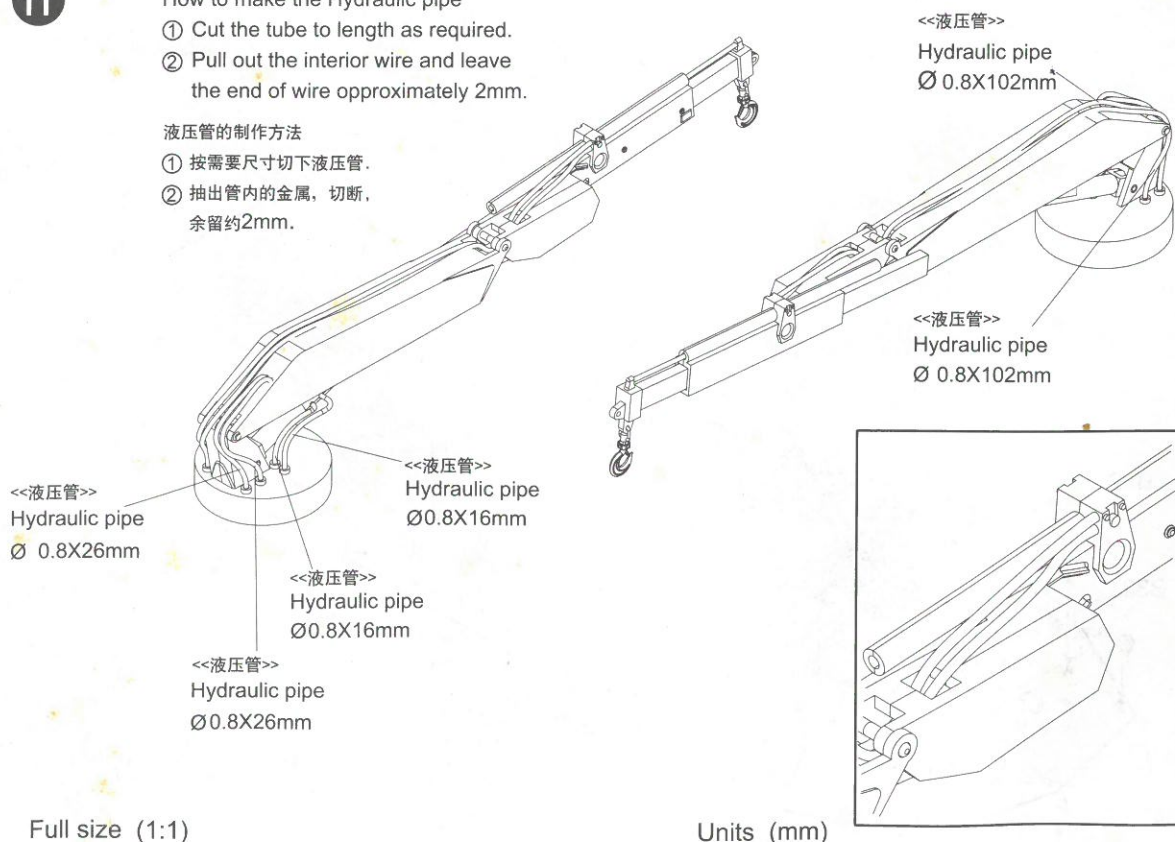
11

How to make the Hydraulic pipe

- ① Cut the tube to length as required.
- ② Pull out the interior wire and leave the end of wire approximately 2mm.

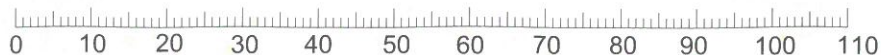
液压管的制作方法

- ① 按需要尺寸切下液压管。
- ② 抽出管内的金属，切断，余留约2mm。

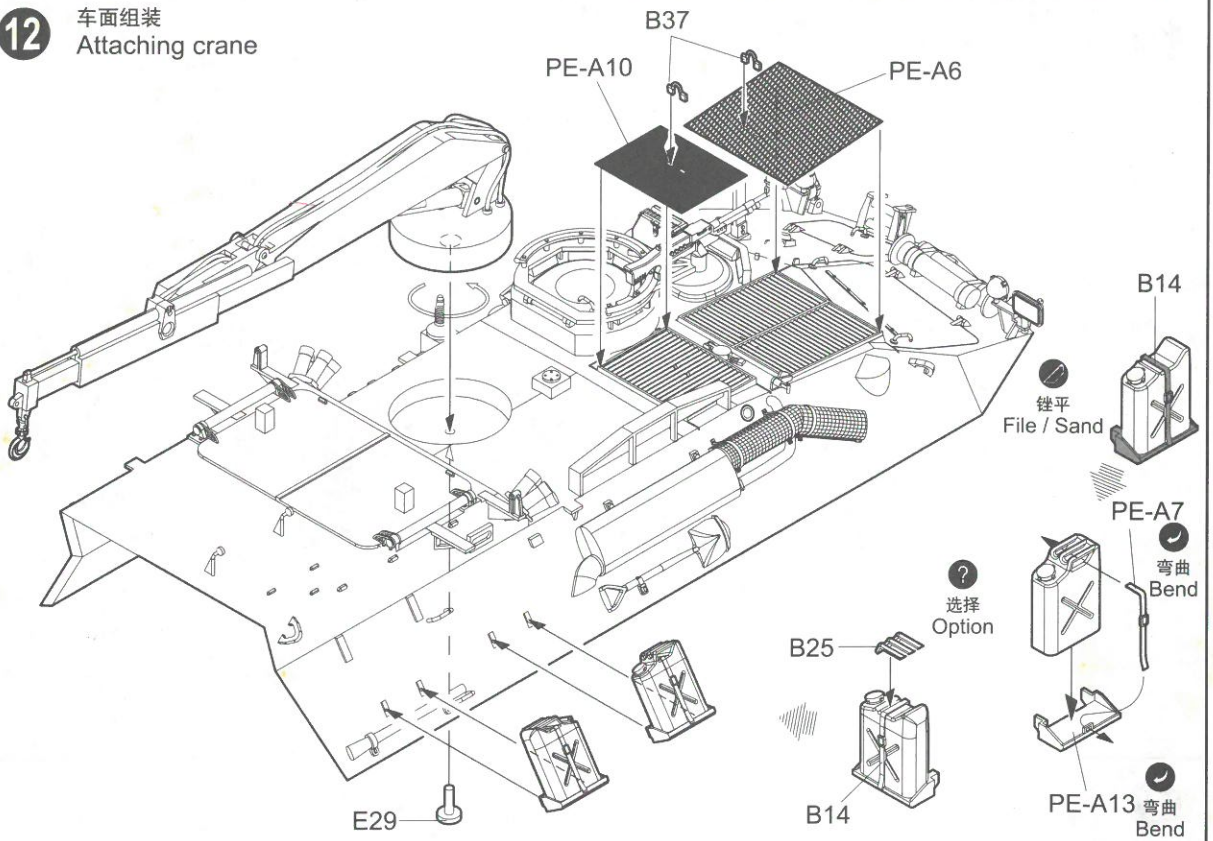


Full size (1:1)

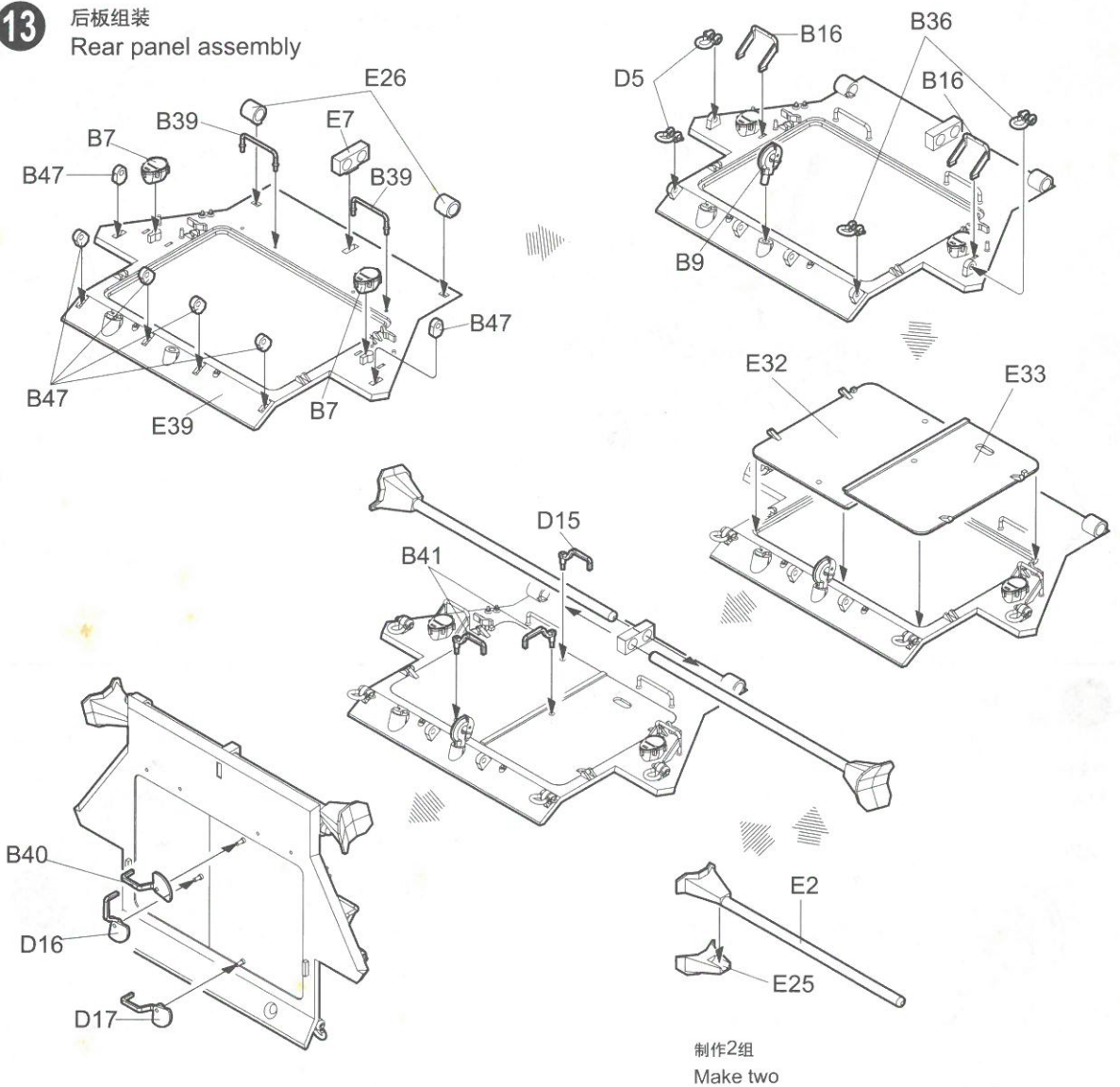
Units (mm)



12 车面组装
Attaching crane



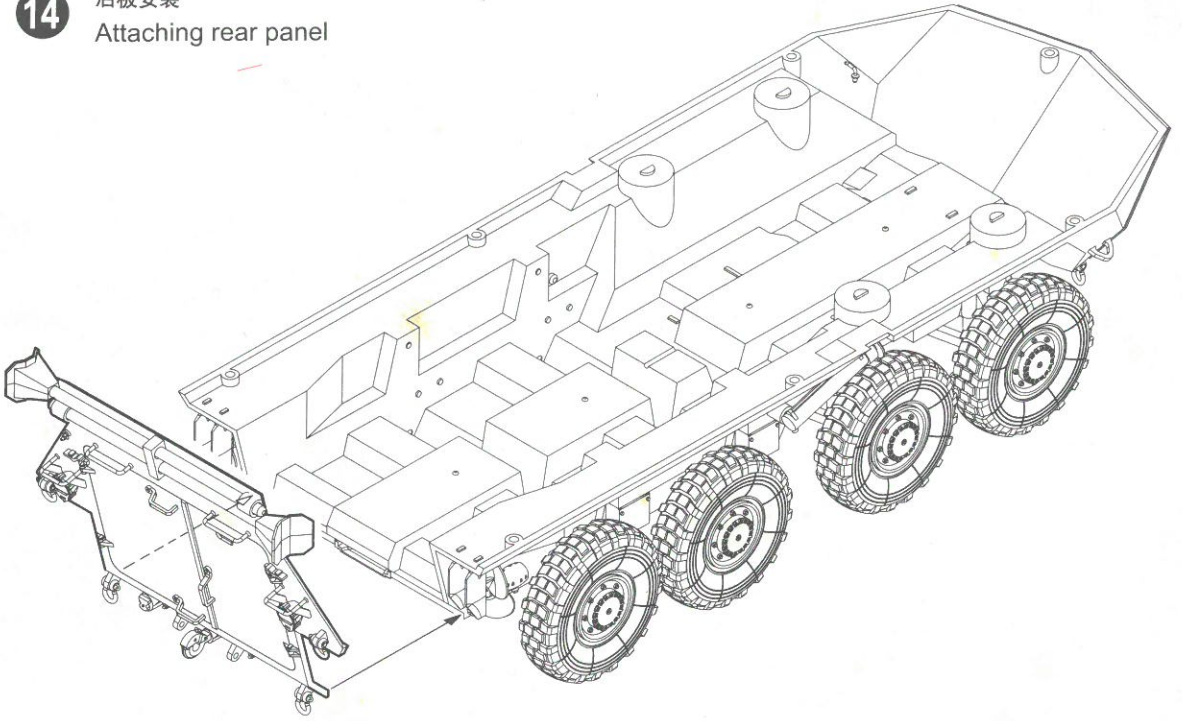
13 后板组装
Rear panel assembly



14

后板安装

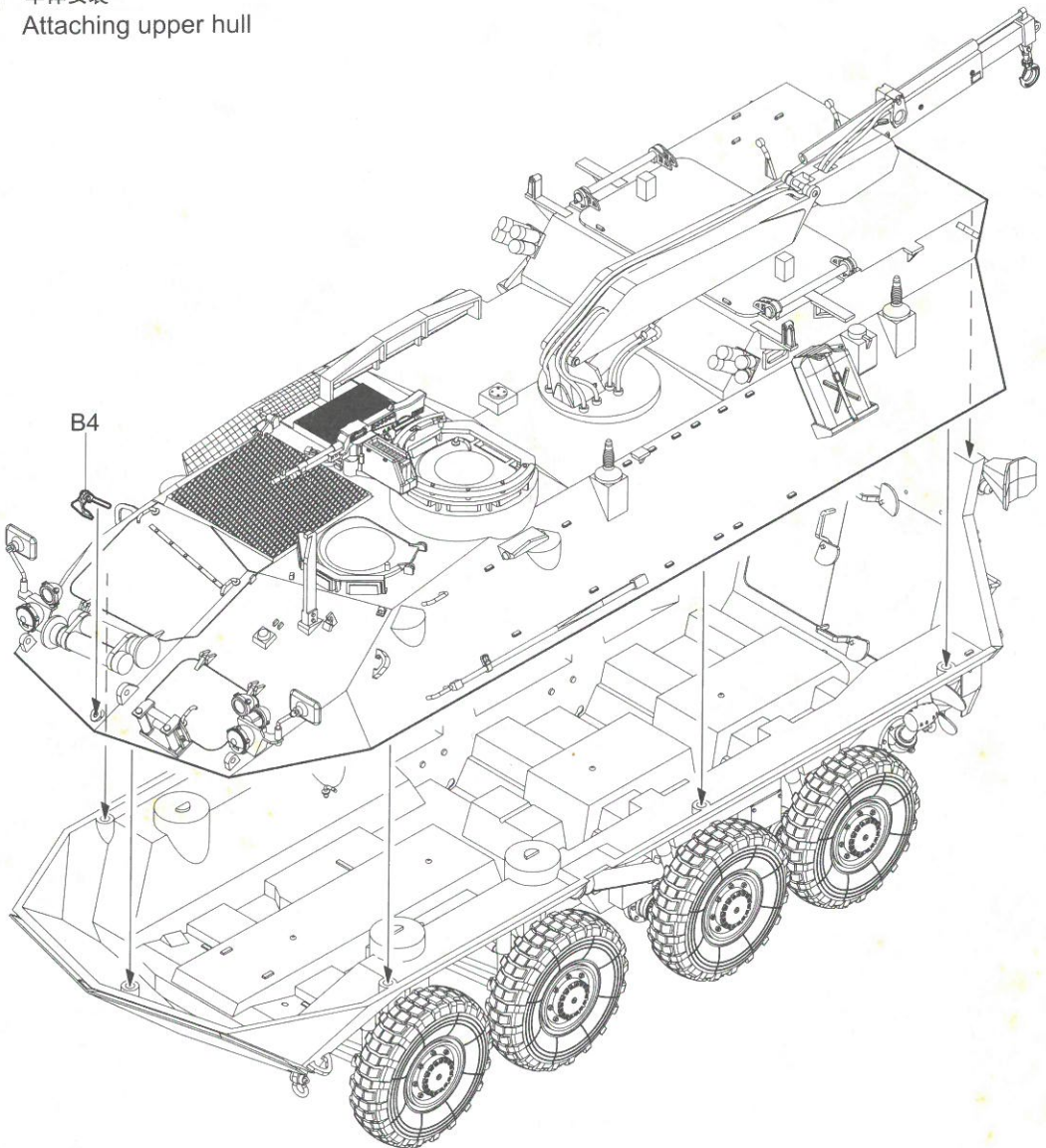
Attaching rear panel



15

车体安装

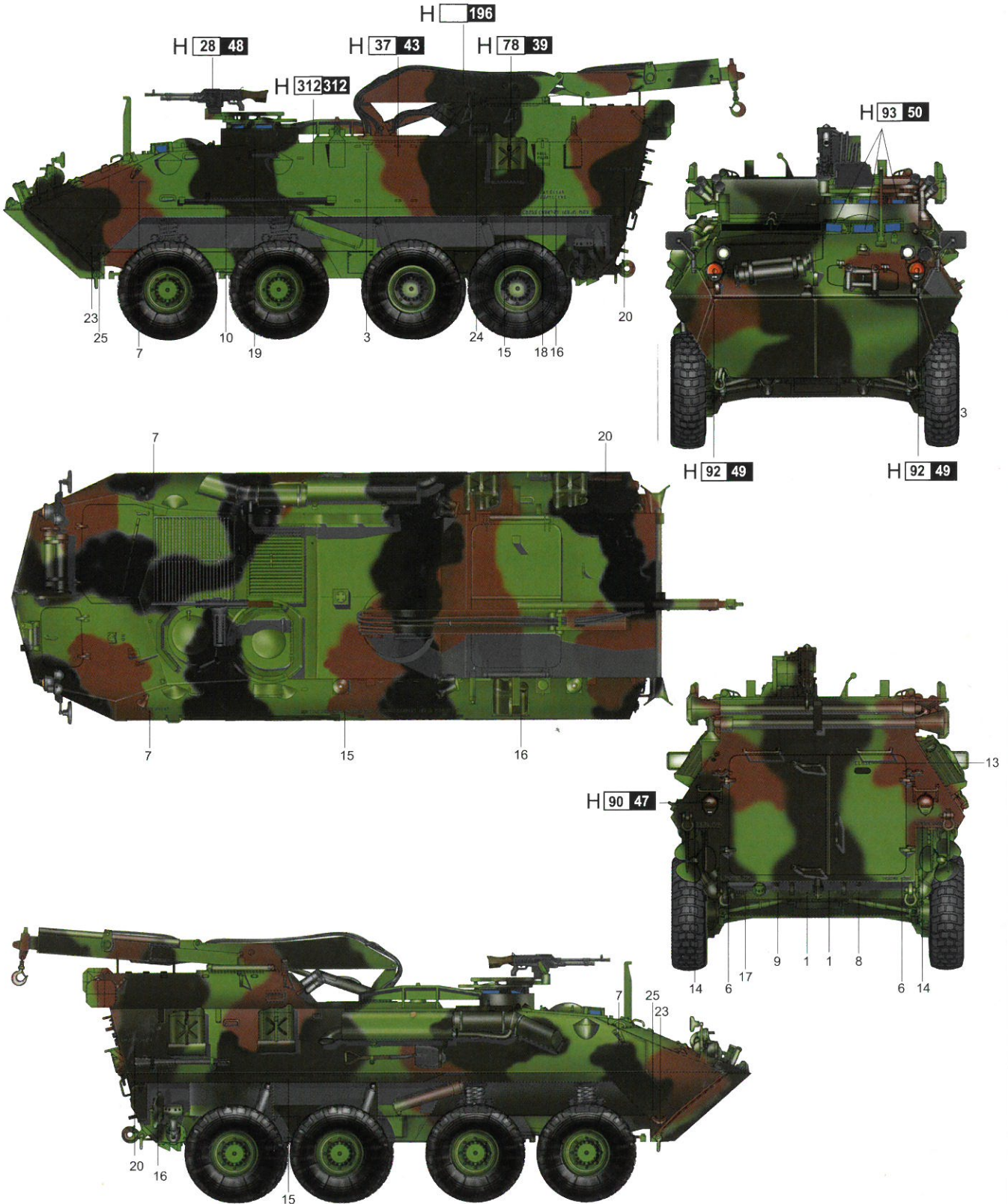
Attaching upper hull



涂装同标贴指示 Painting & Marking guide

使用MR. HOBBY涂料
Mr. Color used

H 78 39	橄榄色 Olive Drab	H 37 43	木棕色 Wood Brown
H 90 47	透明红 Clear Red	H 28 48	枪黑色 Metal Black
H 92 49	透明橘 Clear Orange	H 93 50	透明蓝 Clear Blue
H 196	深灰色 Dark Gray	H 312 312	中灰绿 Medium Grey Green

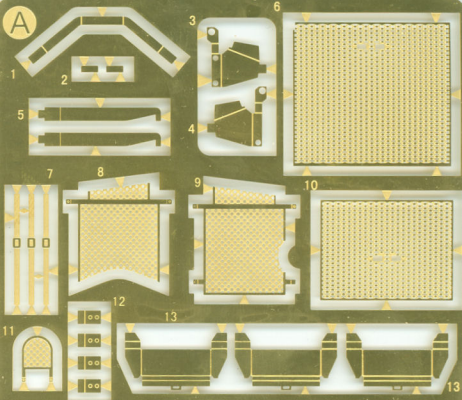


H X AQUEOUS HOBBY COLOUR

X MR.COLOUR

1	SAFETY CHAIN LUG	2 TOWING POINT	3 CAMOUFLAGE SUPPORT	4 CROUSD ROOS	5 TOWING POINT	TIEDOWN POINT	6
	SAFETY CHAIN LUG	7 TIEDOWN POINT	8 EMERGENCY AIR	9 SERVICE AIR	10 CROSS RODS	TIEDOWN POINT	
		11 REXDSNELD	12 DCE HAMMER	13 CLOSE		TOWING POINT	14
15		TYRE POESSORE MICHWAY 290 xPa CROSS COUNTRY 180 xPa MOD 103 xPa				TOWING POINT	
		TYRE POESSORE MICHWAY 290 xPa CROSS COUNTRY 180 xPa MOD 103 xPa				FUEL CARGU	
16	STAY CLEAR PROPELLERS	17 TRAILER RECEPTICLE	18 FUEL FILLER	19 SMOKE GRENADE	LIFTING POINT	20	21 FUEL CARGU
					LIFTING POINT		
22	WARNIN: STAY CLEAR PROPELLERS	TIEDOWN POINT	LIFTING POINT	LIFTING POINT	CLOSE	TOWING POINT	TRAILER RECEPTICLE
		23	24	25	26	27	28
		TIEDOWN POINT	LIFTING POINT	LIFTING POINT	CLOSE	TOWING POINT	TRAILER RECEPTICLE

00370 1/35 LAV-R Light Armored Vehicle Recovery



A

B

00370 1/35 LAV-R
 © 2007 TRUMPETER

00370 1/35 LAV-R © 2007 TRUMPETER