

1:35 SCALE

ITEM NO.: 00371

USMC LAV-C2 Light Armored Vehicle Command and Control

美国海军陆战队LAV-C2指挥通讯车



READ BEFORE ASSEMBLY

- This kit is not recommended for inexperienced modelers or for children under 14 years of age.
- Study and understand these instructions thoroughly before beginning assembly.
- When inserted, remove plastic-wrap parts carefully using a modeling knife or plastic yield against rubber lining careful not to damage or flex small parts.
- Take extra care in handling photo-etch parts in order to avoid injury.
- Apply correct moment sparingly to photo-etch parts where indicated.
- Some components are included in kit. Plastic and metal inserts, sprues, cutters, long nose pliers, modeling knife, small file, tweezers, pin vice & screws, soft cloth and sandpaper will also assist in construction.
- Gloss and paint are not included in the kit. Use plastic cement and hobby paints only. Color guide for purchased paint is included in the kit.
- Keep out of reach of children. They must not be allowed to ingest small parts or handle plastic bags in any way.

装配之前仔细阅读

- 本套件不建议给没有模型制作经验的人或14岁以下的儿童使用。
- 在开始拼装之前，请仔细阅读并理解这些说明。
- 在插入零件时，请小心地取下塑料包装，使用模型刀或塑料屈服于橡胶衬垫，小心不要损坏或弯曲小零件。
- 在取下零件时，请小心地取下塑料包装，小心不要损坏或弯曲小零件。
- 在取下零件时，请小心地取下塑料包装，小心不要损坏或弯曲小零件。
- 在取下零件时，请小心地取下塑料包装，小心不要损坏或弯曲小零件。
- 在取下零件时，请小心地取下塑料包装，小心不要损坏或弯曲小零件。
- 在取下零件时，请小心地取下塑料包装，小心不要损坏或弯曲小零件。
- 在取下零件时，请小心地取下塑料包装，小心不要损坏或弯曲小零件。
- 在取下零件时，请小心地取下塑料包装，小心不要损坏或弯曲小零件。
- 在取下零件时，请小心地取下塑料包装，小心不要损坏或弯曲小零件。
- 在取下零件时，请小心地取下塑料包装，小心不要损坏或弯曲小零件。

003
Glue004
File / Sand005
Color006
Pin vice & screws007
Soft cloth008
Cyanoacrylate glue009
Weight010
Make hole011
Cut / Remove

本款品的使用:

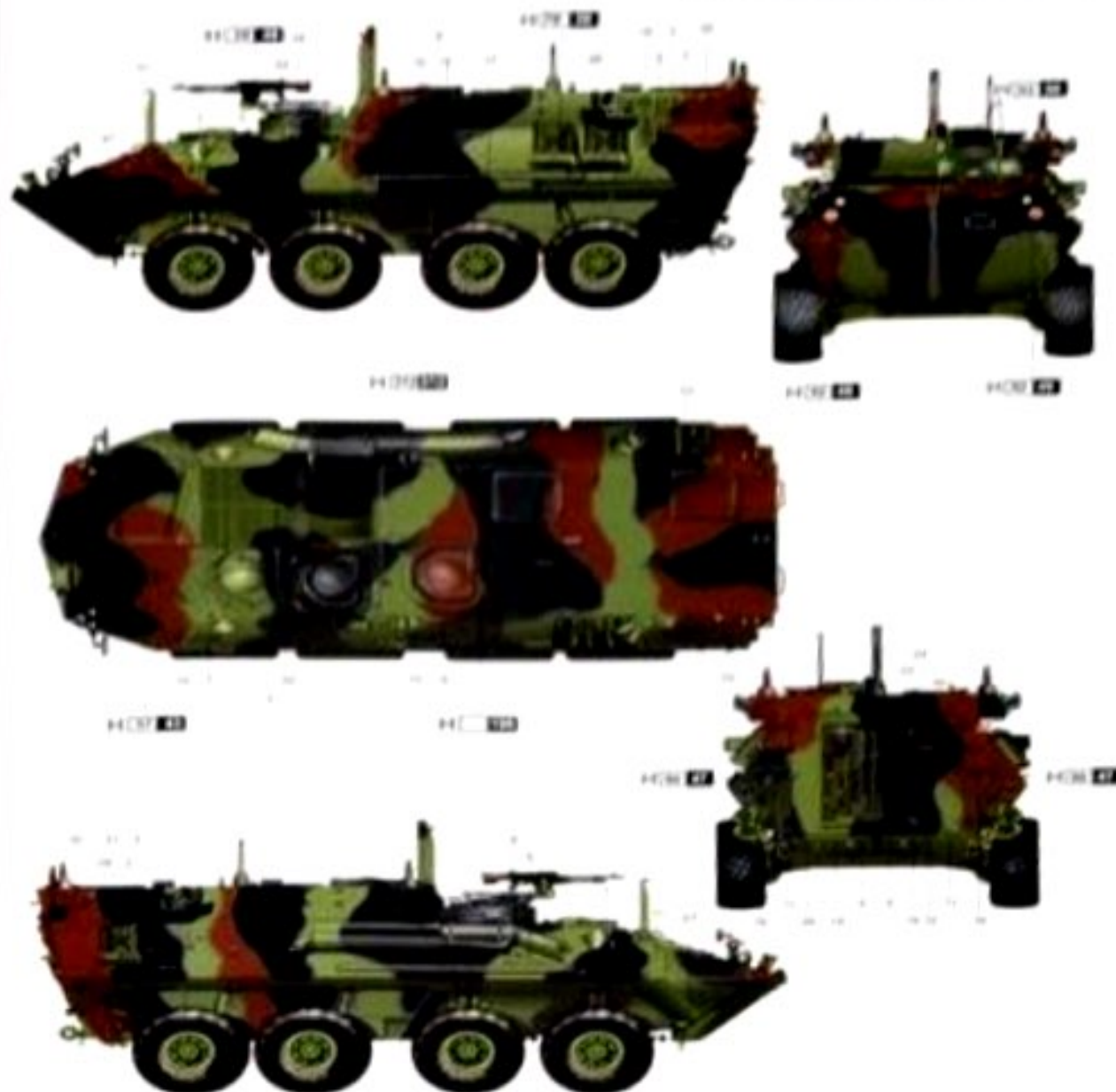
- 从本包装上取下零件;
- 将印花放入温水中浸泡10秒, 然后放在干净布上;
- 将印花从纸上取下并转移到模型上;
- 手指蘸水将印花移到适当的位置;
- 用软布轻轻压印花直至水干, 汽泡消失。

DECAL APPLICATION

- Cut off decal from sheet.
- Dip the decal in tepid water 40°C for about 10 sec. and place on a clean cloth.
- Hold the backing sheet edge and slide decal onto the model.
- Move decal into position by wetting decal with finger.
- Press decal gently down with a soft cloth until excess water and air bubbles are gone.
- Allow decal to dry completely before handling model.

涂装与标记指南
Painting & Marking guide00371 00001-00010
00 Color chart

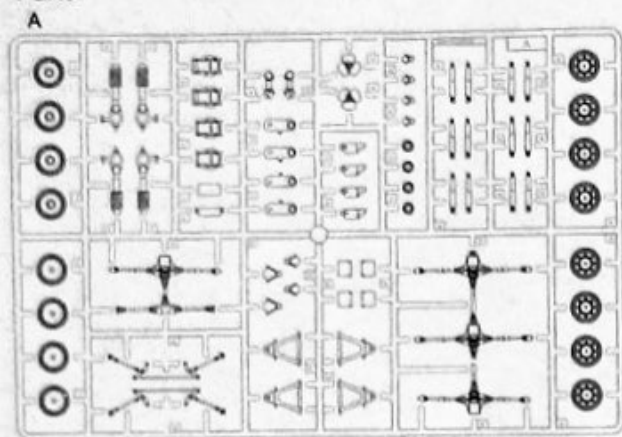
0001	0001	0001	0001	0001	0001
0002	0002	0002	0002	0002	0002
0003	0003	0003	0003	0003	0003
0004	0004	0004	0004	0004	0004
0005	0005	0005	0005	0005	0005



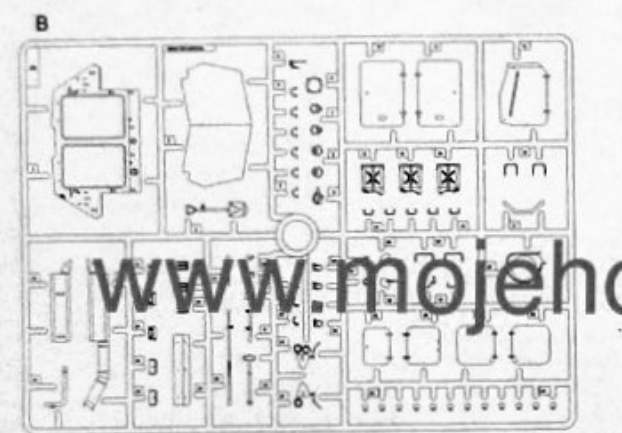
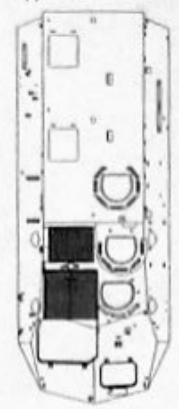
00371 00001-00010

00371 00001-00010

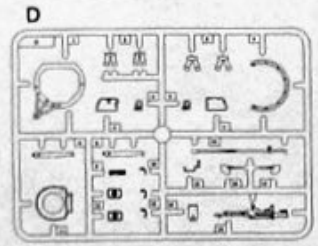
00371 1/35 USMC LAV-C2 Light Armored Vehicle Command and Control



Upper hull

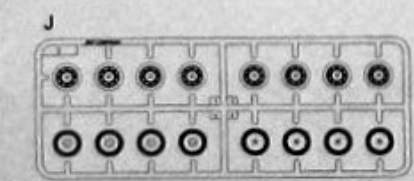


Lower hull



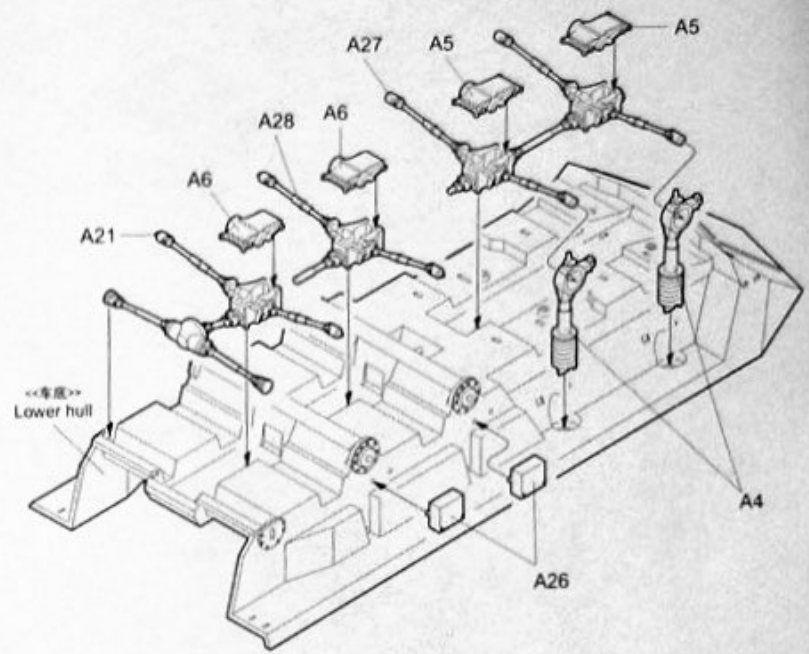
«水貼»
Decal

1	2	3	4	5	6	7	8	9	10	11	12	13	14	15	16	17	18	19	20	21	22	23	24	25	26	27	28	29	30	31	32	33	34	35	36	37	38	39	40	41	42	43	44	45	46	47	48	49	50	51	52	53	54	55	56	57	58	59	60	61	62	63	64	65	66	67	68	69	70	71	72	73	74	75	76	77	78	79	80	81	82	83	84	85	86	87	88	89	90	91	92	93	94	95	96	97	98	99	100
---	---	---	---	---	---	---	---	---	----	----	----	----	----	----	----	----	----	----	----	----	----	----	----	----	----	----	----	----	----	----	----	----	----	----	----	----	----	----	----	----	----	----	----	----	----	----	----	----	----	----	----	----	----	----	----	----	----	----	----	----	----	----	----	----	----	----	----	----	----	----	----	----	----	----	----	----	----	----	----	----	----	----	----	----	----	----	----	----	----	----	----	----	----	----	----	----	----	----	-----

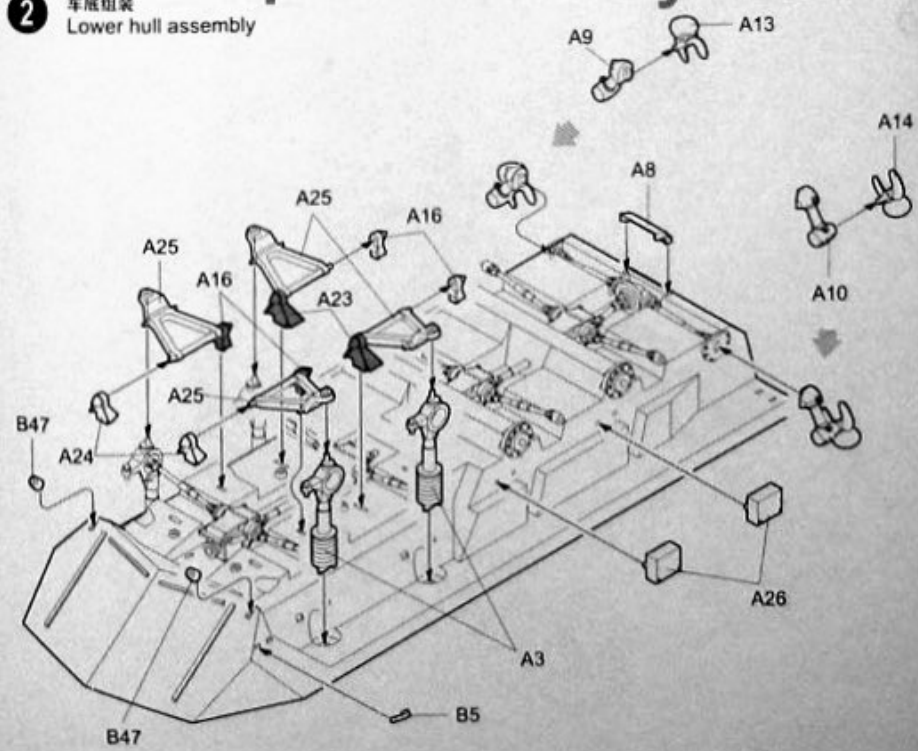


不用黏貼: A1x4, A2x4, A20x8, B1, B6, B10, B11, B15, B21, B24, B26, B27, B28, B31, B32, B40
 Unused parts: B44, B45, B46, B47x2, D10, D15, D16, D18

1 車底組裝
Lower hull assembly

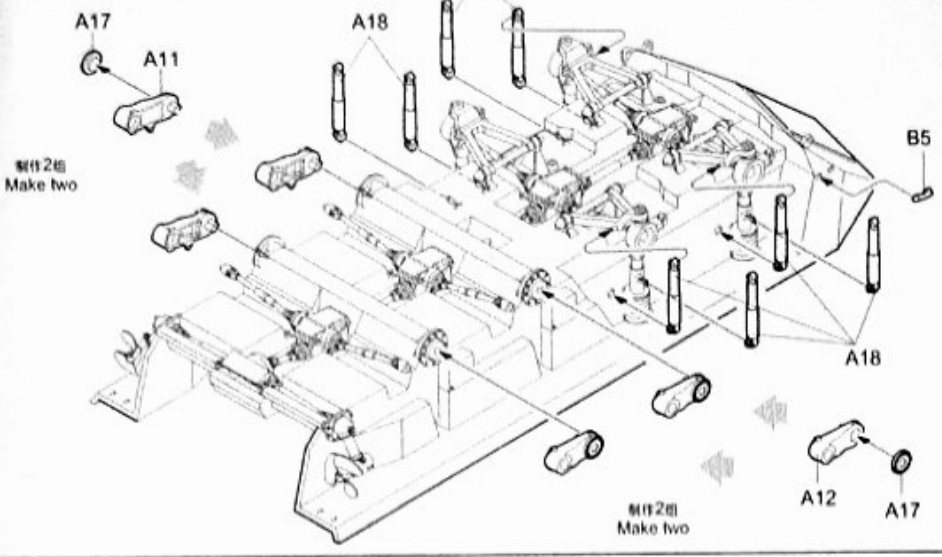


2 車底組裝
Lower hull assembly

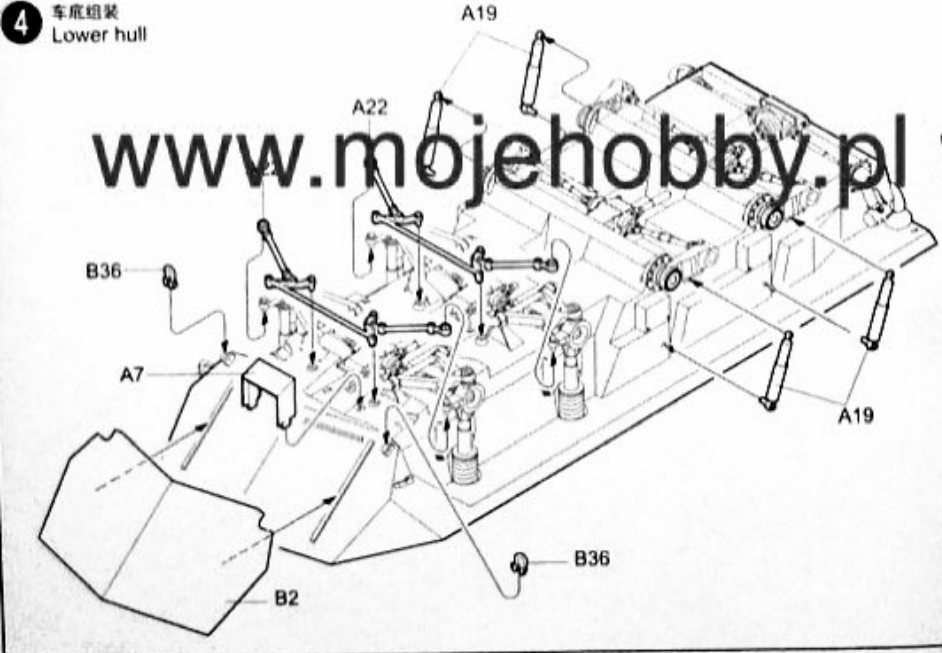


www.moje hobby.pl www.super-hobby.com

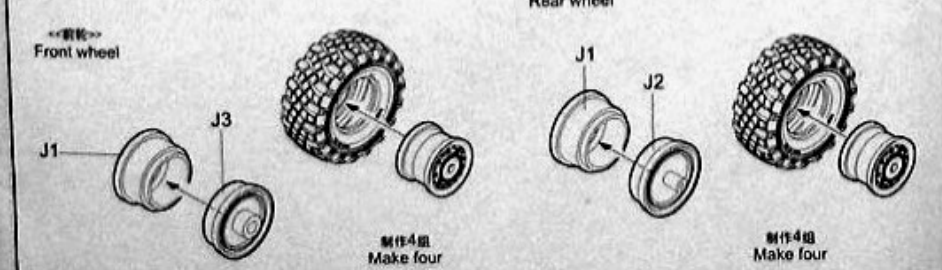
3 车底组装
Lower hull assembly



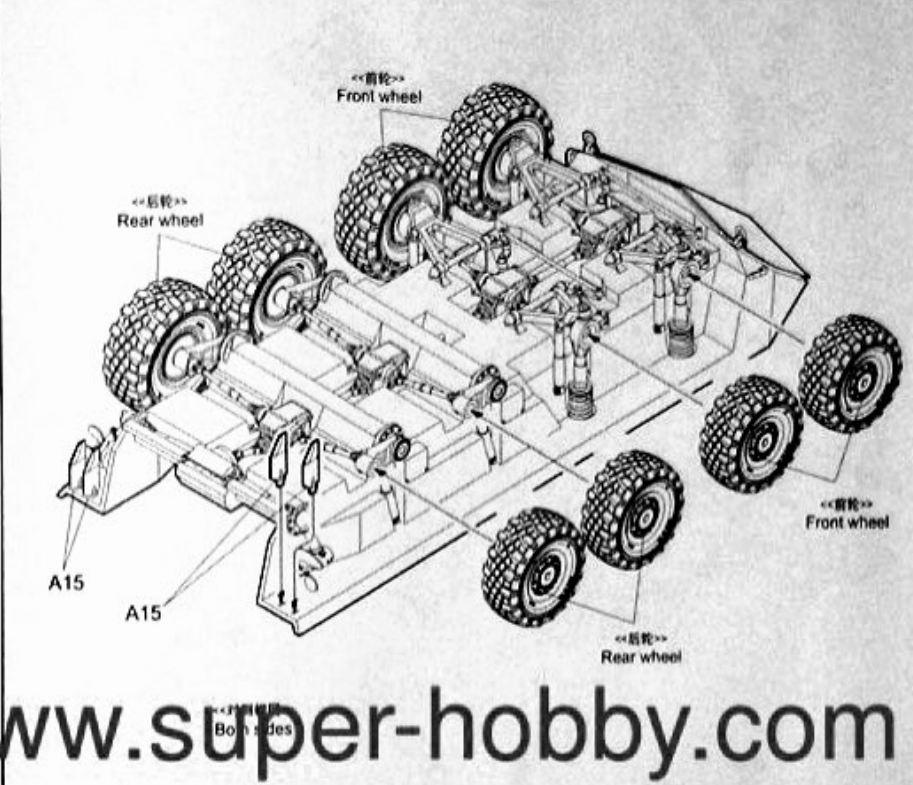
4 车底组装
Lower hull



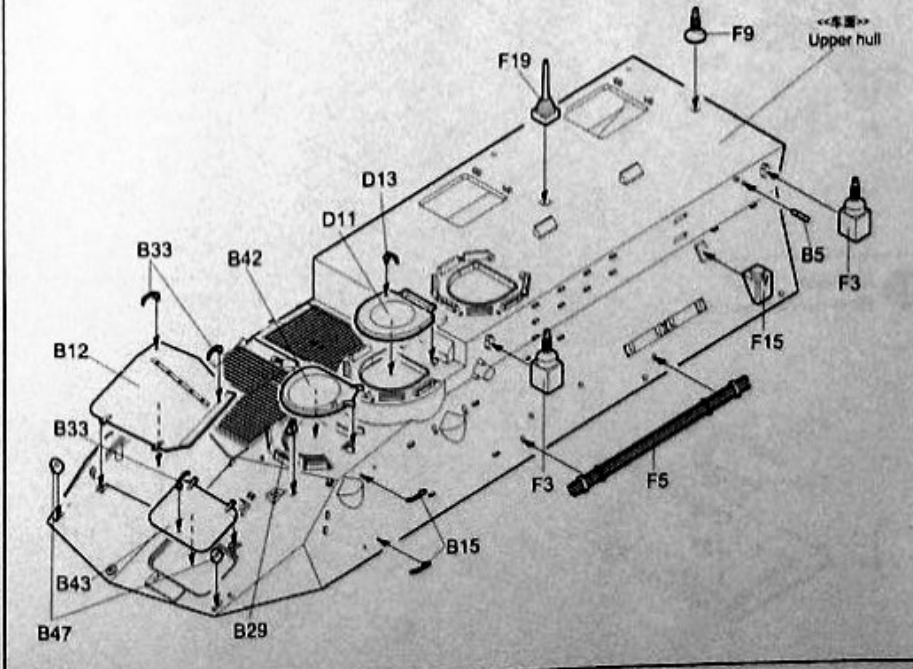
5 车轮组装
Wheel assembly



6 车底组装
Lower hull assembly

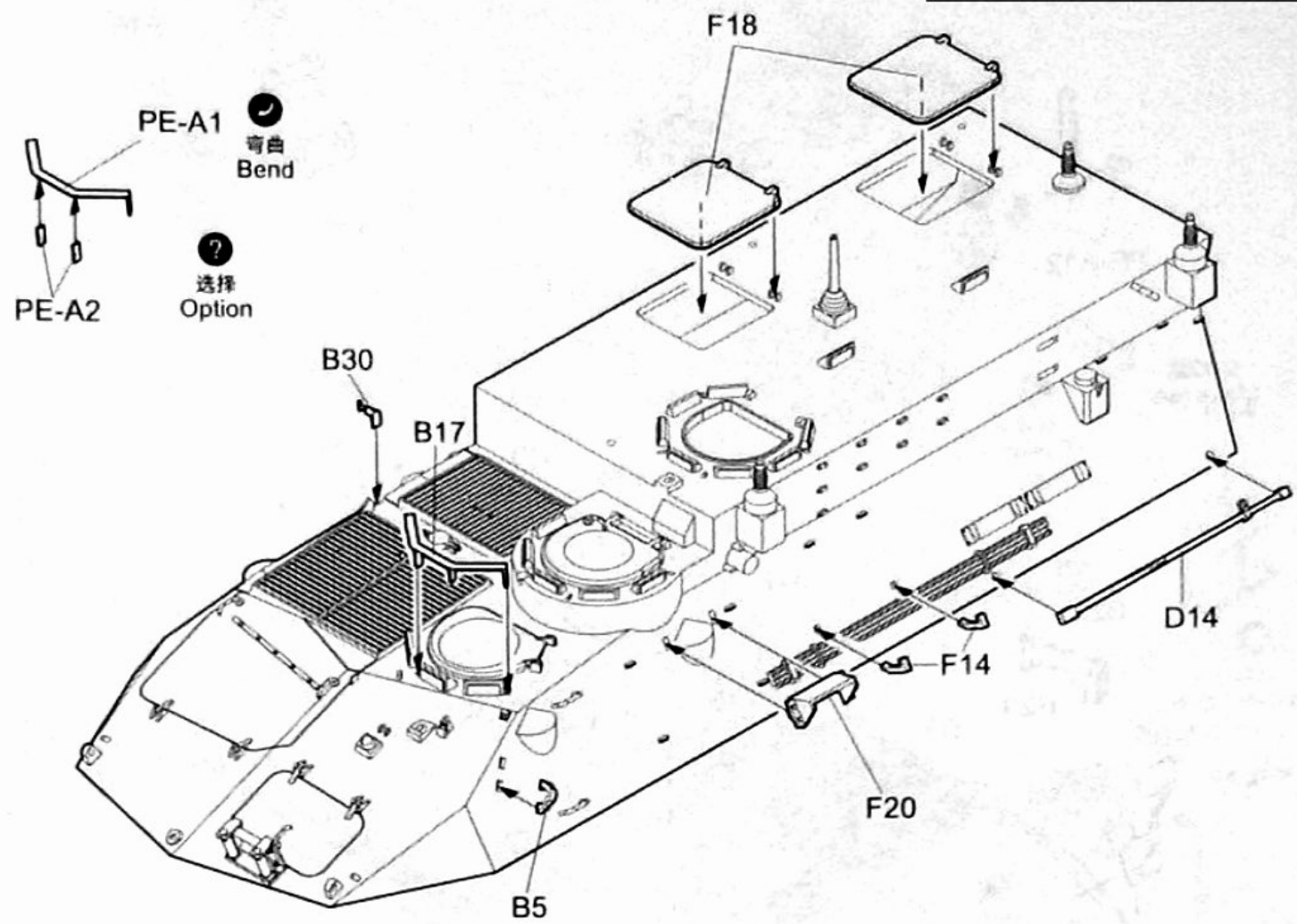


7 车盖组装
Upper hull assembly

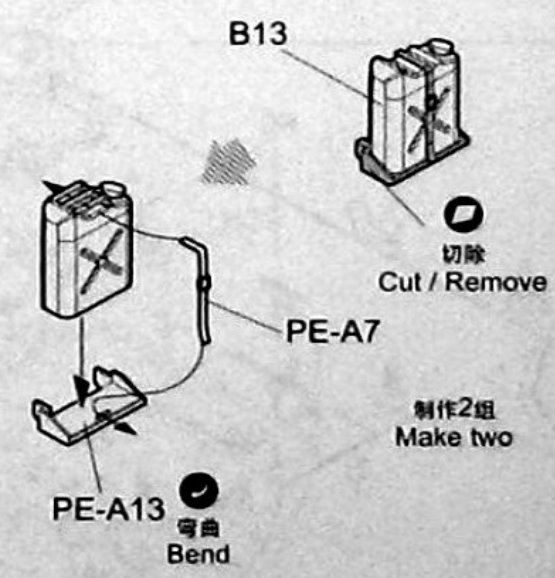
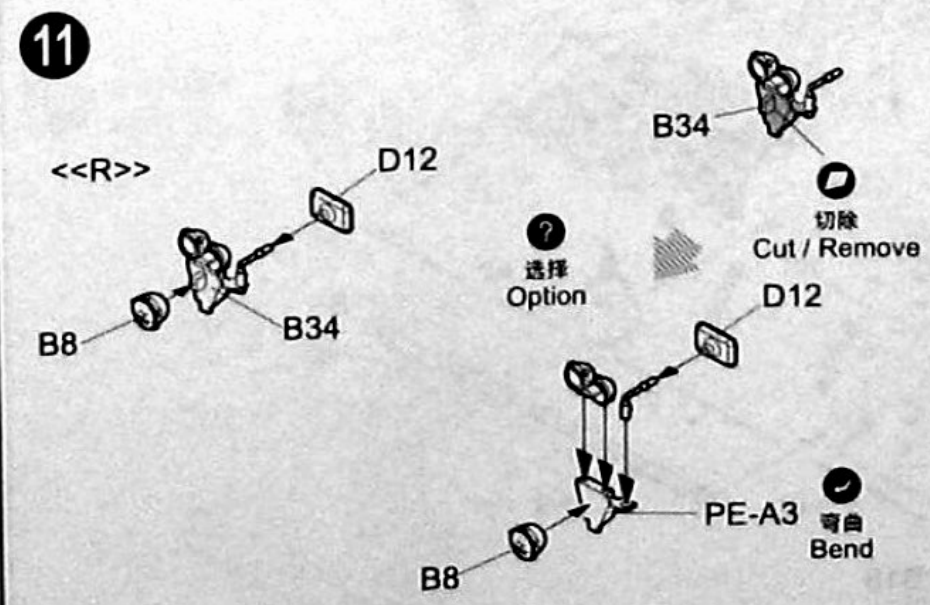
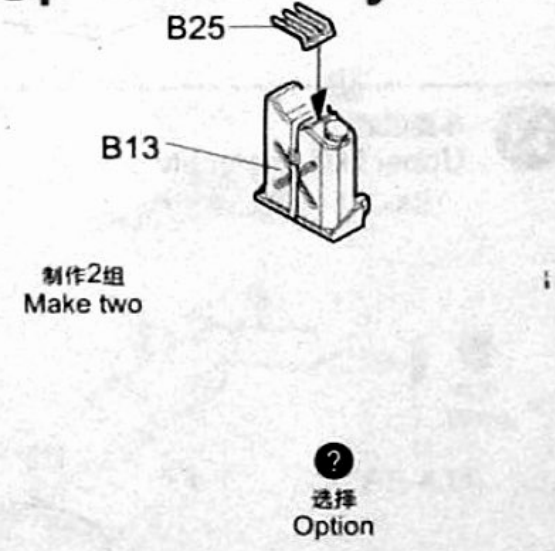
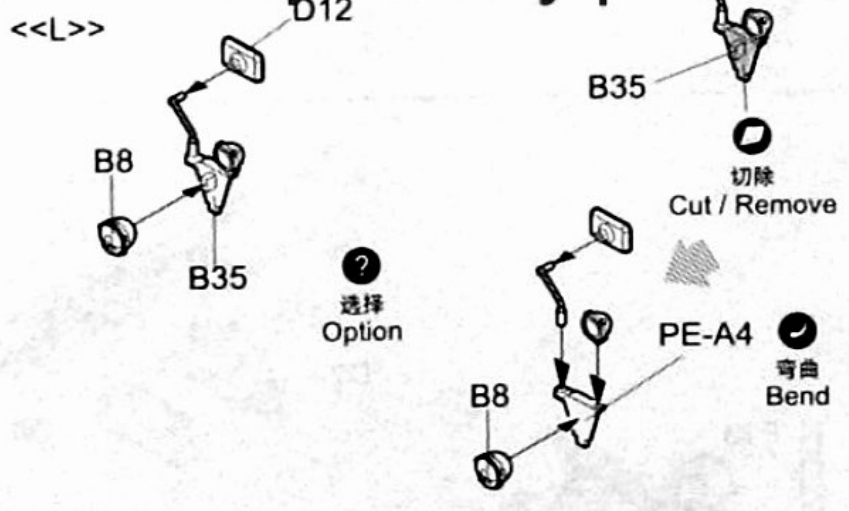


www.mojehobby.pl www.super-hobby.com

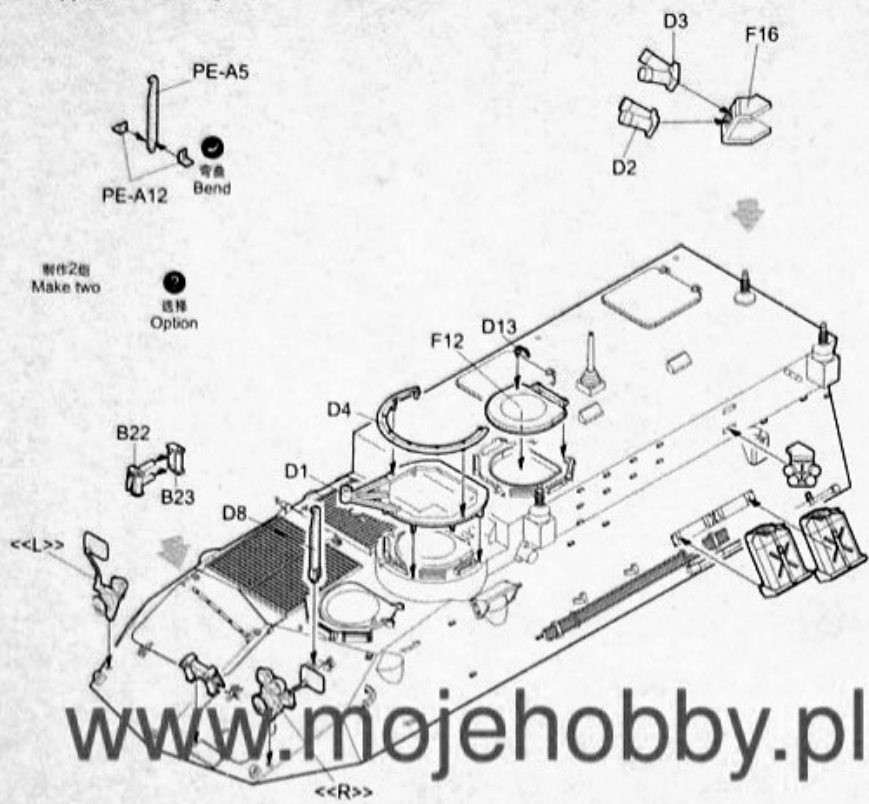
8 车面组装
Upper hull assembly



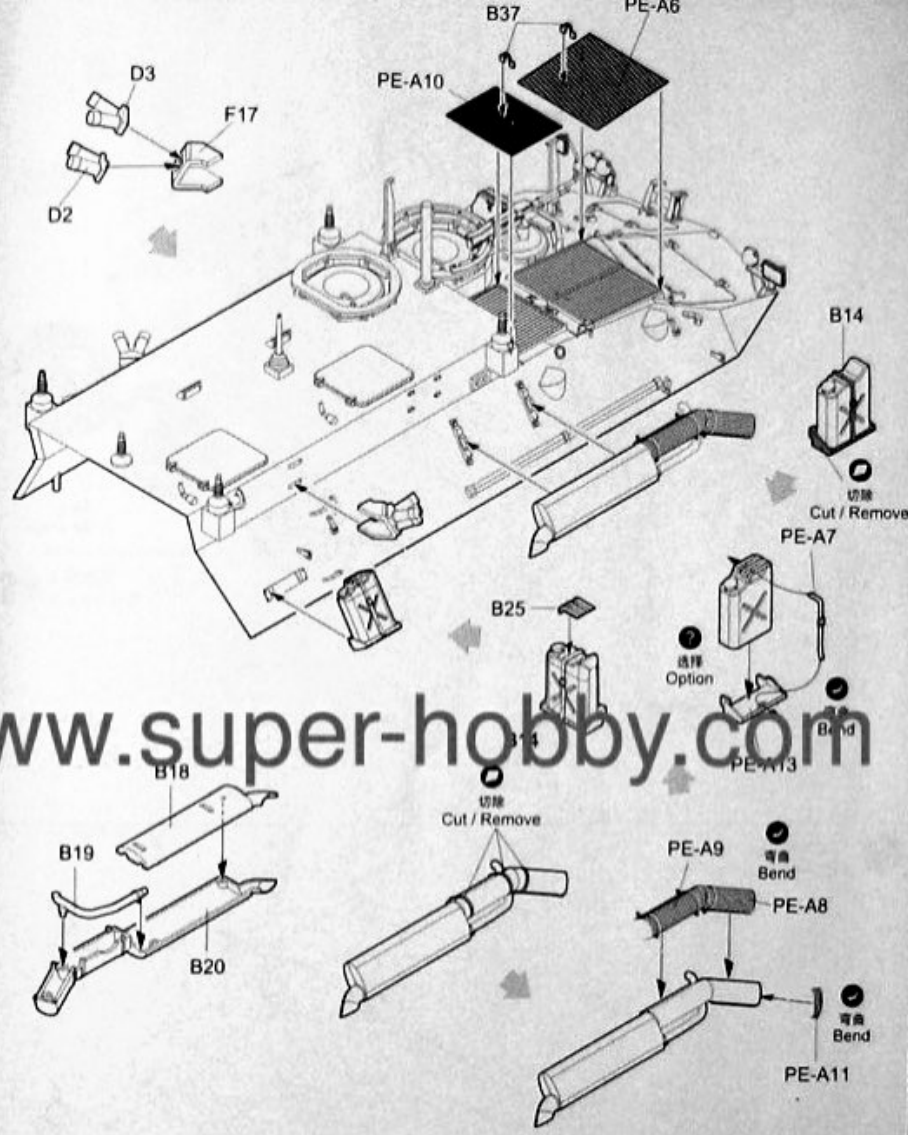
9 www.moje Hobby.pl www.super-hobby.com



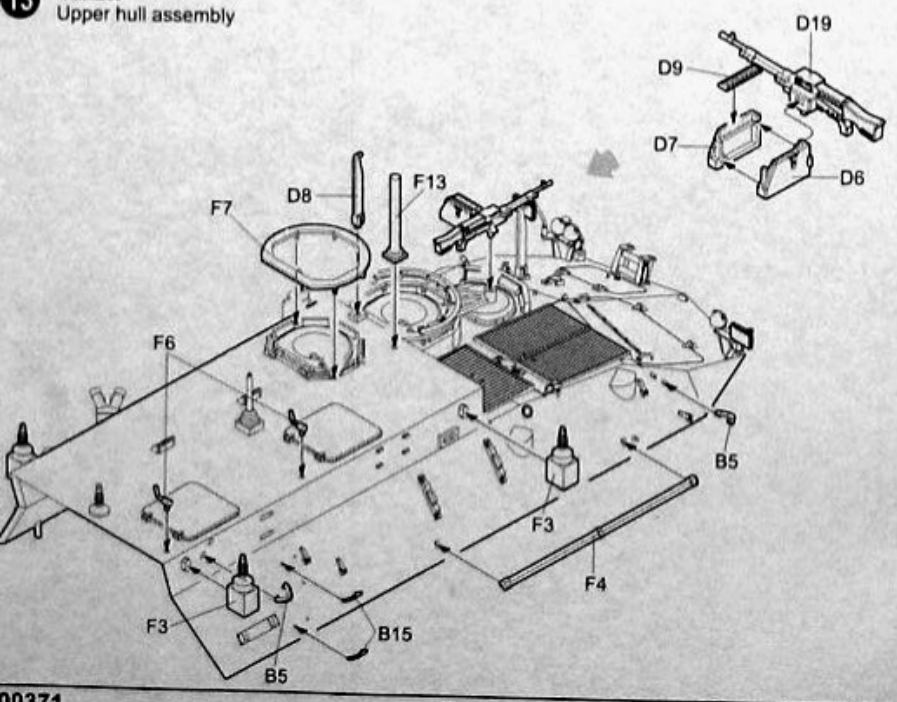
12 车面组装
Upper hull assembly



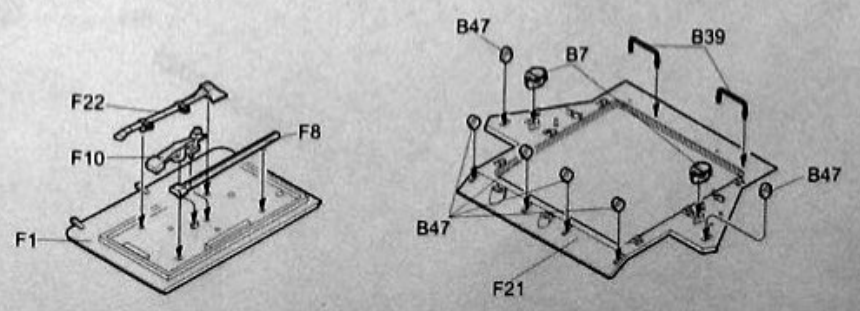
14 车面组装
Upper hull assembly



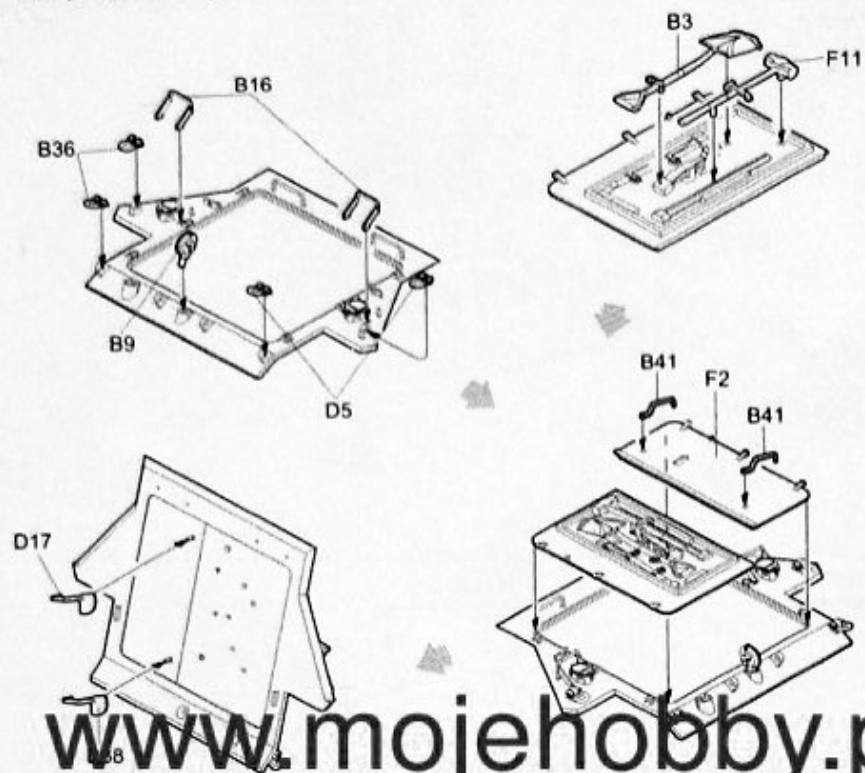
13 车面组装
Upper hull assembly



15 后板组装
Rear panel assembly

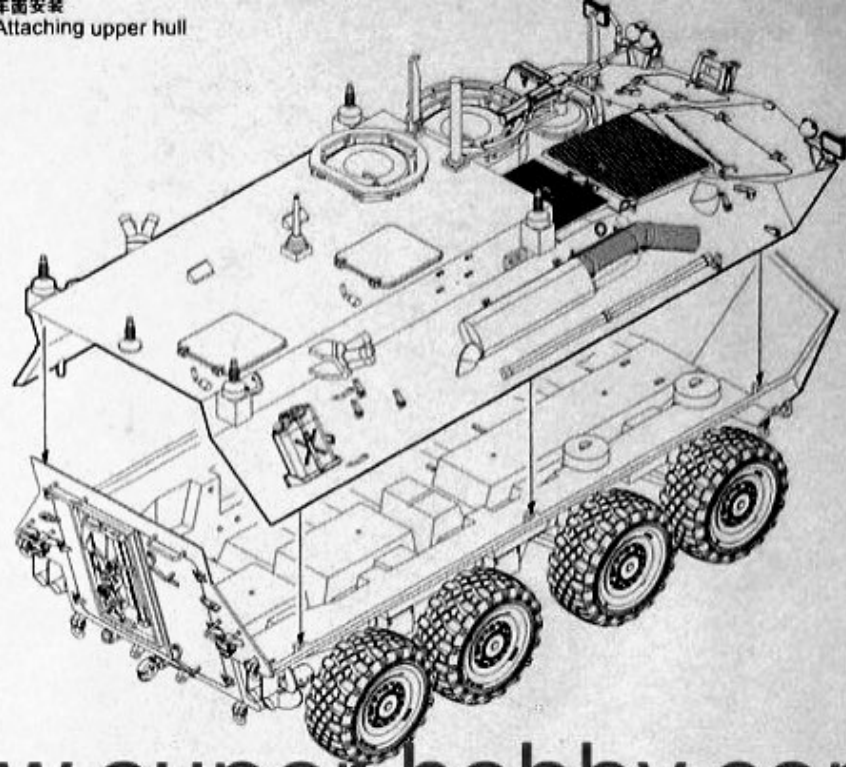


16 后板组装
Rear panel assembly

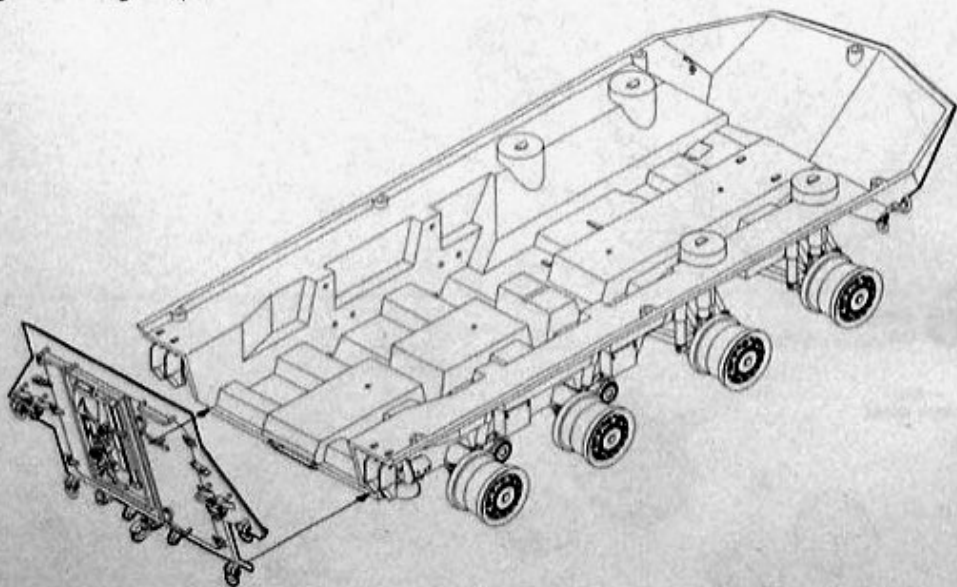


www.mojehobby.pl www.super-hobby.com

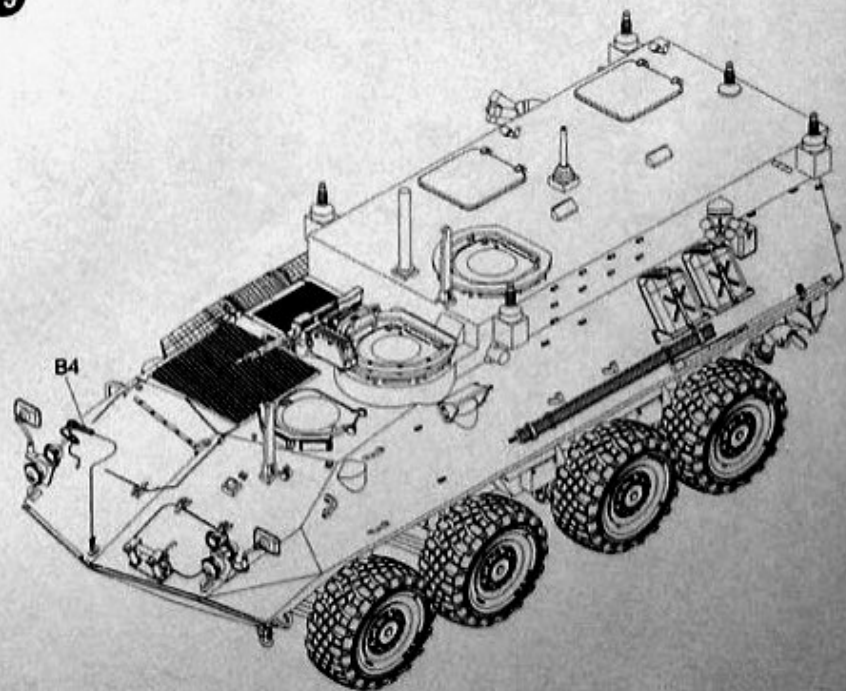
18 车面安装
Attaching upper hull

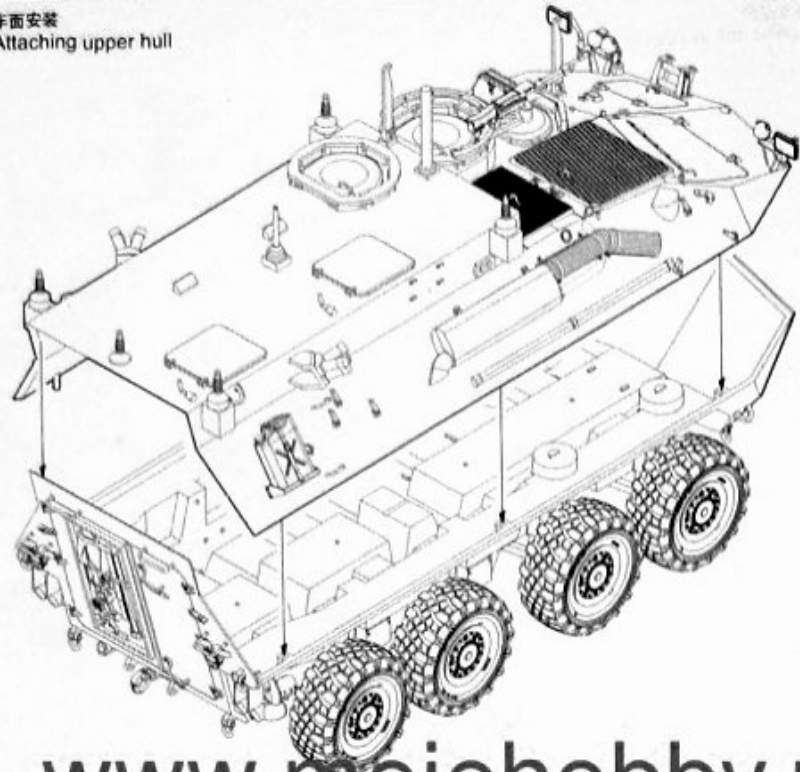


17 后板安装
Attaching rear panel

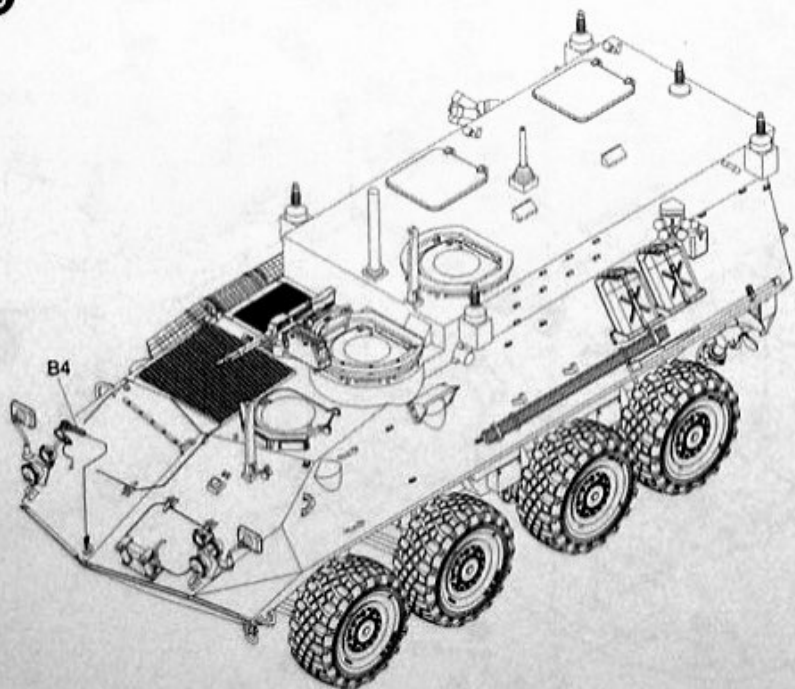


19





www.moje Hobby.pl



USMC LAV-C2 Light Armored Vehicle Command and Control

美国海军陆战队LAV-C2指挥通讯车



READ BEFORE ASSEMBLY:

- This kit is not recommended for inexperienced modelers or for children under 14 years of age
- Study and understand these instructions thoroughly before beginning assembly
- When needed, remove photo-etch parts carefully using a modeling knife or photo etch sprue cutter, being careful not to damage or lose small parts.
- Take extra care in handling photo etch parts in order to avoid injury. Apply final placement sparingly to hot etch parts where instructed
- Tools recommended(not included in kit):Plastic and instant cements,sprue cutters,long nose pliers,modeling knife, small files, tweezers, pin vise & scissors. Soft cloth and sandpaper will also assist in construction
- Glue and paint are not included in the kit. Use plastic cement and hobby paints only. Color guide for purchasing paint is included in the kit.
- Keep out of reach of children. They must not be allowed to ingest small parts or handle plastic bags in any way.

装配之前仔细阅读

- 小心用模型锉刀锉平所有零件表面的注射道口。
- 小心用刀片切下蚀刻片零件，不要遗失小零件。
- 用强力快干胶水粘合蚀刻片零件和金属轴。过量的快干胶水使用可能导致可动零件会粘住，小心涂胶。
- 取蚀刻片时应特别注意安全，防止利边划伤手指。
- 某些零件表面需贴上水贴纸，请选择在装配的同时进行。
- 推荐模型工具(自备):胶水, 水口剪, 长嘴钳, 刀片, 锉刀, 镊子, 钳, 钻, 剪刀, 瞬间快干胶。
- 软布同砂纸同时也应该是必备工具。
- 请使用塑料胶水和油漆, 模型内不含。
- 谨防小孩吸吮塑料零件, 或者将塑料袋套在头上, 制作时应将套材远离小孩接触。
- 本产品不适合14岁以下没有经验的模型爱好者。



贴纸
Decal



锉平
File / Sand



选择
Option



不涂胶水
No cement



弯曲
Bend



使用强力胶
Cyanoacrylate glue



配重
Weight



钻孔
Make hole



切除
Cut / Remove

水贴纸的使用:

1. 从水贴纸上剪下印花;
2. 将印花放入温水中浸10秒, 然后放在干净布上。
3. 拿着印花纸板将印花移到模型上;
4. 手指蘸水将印花移到适当的位置;
5. 用软布轻压印花直至水干, 汽泡消失。

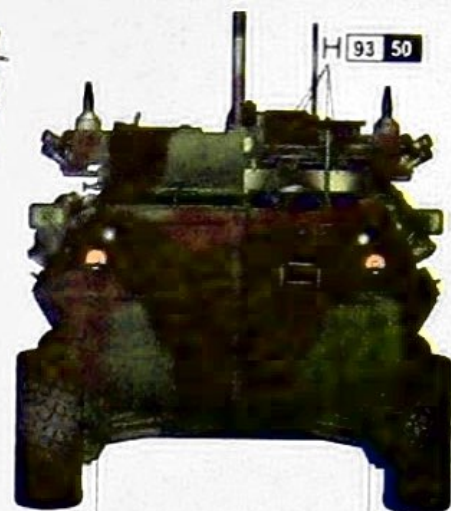
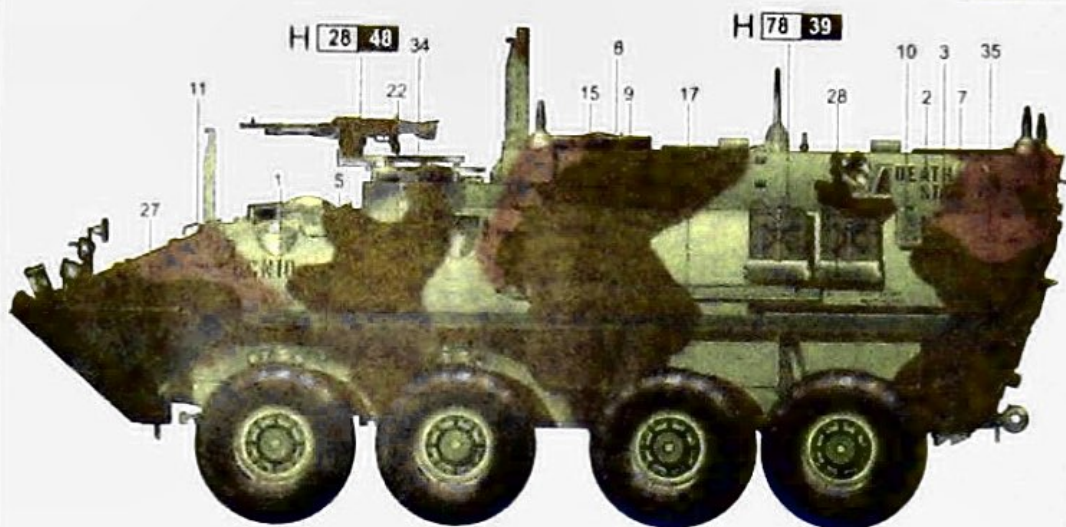
DECAL APPLICATION

1. Cut off decal from sheet.
2. Dip the decal in tepid water 40°C for about 10 sec. and place on a clean cloth.
3. Hold the backing sheet edge and slide decal onto the model.
4. Move decal into position by wetting decal with finger.
5. Press decal gently down with a soft cloth until excess water and air bubbles are gone.
6. Allow decal to dry completely before handling model.

涂装同标贴指示 Painting & Marking guide

使用MR.HOBBY涂料
Mr. Color used

H[25] 43	枪黑色 Metal Black	H[37] 43	木棕色 Wood Brown
H[78] 39	橄榄色 Olive Drab	H[92] 49	透明橘 Clear Orange
H[89] 47	透明红 Clear Red	H[93] 50	透明蓝 Clear Blue
H[196]	黑灰色 Dark Gray	H[90] 47	中灰绿 Medium Grey Green



H[312] 312



H[92] 49

H[92] 49

www.mojehobby.pl www.super-hobby.com

H[37] 43

H[196]

H[90] 47

H[90] 47

