

# Messerschmitt Me 262 B-1a/U1

## 1:32 SCALE

## 梅塞斯密特 Me 262 B-1a/U1

### READ BEFORE ASSEMBLY:

- This kit is not recommended for inexperienced modelers or for children under 14 years of age
- Study and understand these instructions thoroughly before beginning assembly
- When needed, remove photo-etch parts carefully using a modeling knife or photo etch sprue cutter, being careful not to damage or lose small parts.
- Take extra care in handling photo etch parts in order to avoid injury
- Apply instant cement sparingly to photo etch parts where instructed

- Tools recommended(not included in kit):Plastic and instant cements,sprue cutters,long nose pliers,modeling knife, small files, tweezers, pin vise & scissors. Soft cloth and sandpaper will also assist in construction
- Glue and paint are not included in the kit. Use plastic cement and hobby paints only. Color guide for purchasing paint is included in the kit.
- Keep out of reach of children. They must not be allowed to ingest small parts or handle plastic bags in any way.

### 装配之前仔细阅读

- 小心用模型锉刀锉平所有零件表面的注射浇口。
- 小心用刀片切下蚀刻片零件，不要遗失小零件。
- 用强力快干胶水粘合蚀刻片零件和金属轴。过量的快干胶水使用可能导致可动零件会粘住，小心涂胶。
- 取蚀刻片时应特别注意安全，防止利边划伤手指。
- 某些零件表面需贴水上贴纸，请选择在装配的同时进行。
- 推荐模型工具(自备)：胶水，水口剪刀，长咀钳，刀片，锉刀，镊子钳，钻，剪刀，瞬间快干胶。
- 软布同砂纸同时也应该是必备工具。
- 请使用塑料胶水和油漆，模型内不含。
- 谨防小孩吮吸塑料零件，或者将塑料袋套在头上，制作时应将套材远离小孩接触。
- 本产品不适合14岁以下没有经验的模型爱好者。

### 水贴纸的使用:

1. 从水贴上剪下印花;
2. 将印花放入温水中浸10秒, 然后放在干净布上。
3. 拿着印花纸板将印花移到模型上;
4. 手指蘸水将印花移到适当的位置;
5. 用软布轻压印花直至水干, 气泡消失。

### DECAL APPLICATION:

1. Cut decals from sheet as needed
2. Dip the decal in warm water for about 10 seconds and then place on soft clean cloth.
3. Hold the decal backing sheet edge and gently slide the decal onto the model in its proper position.

4. While still wet,decal can be adjusted for better fit on model by dampening it gently with your finger.
5. When placed in the proper position,gently press decal down with a soft cloth until excess water and air bubbles are gone.
6. Allow decal to dry completely before handling model



cyanocrylate glue  
使用强力胶



weight  
配重



make hole  
钻孔



cut / remove  
切除



option  
选择



no cement  
不涂胶水



decal  
贴纸

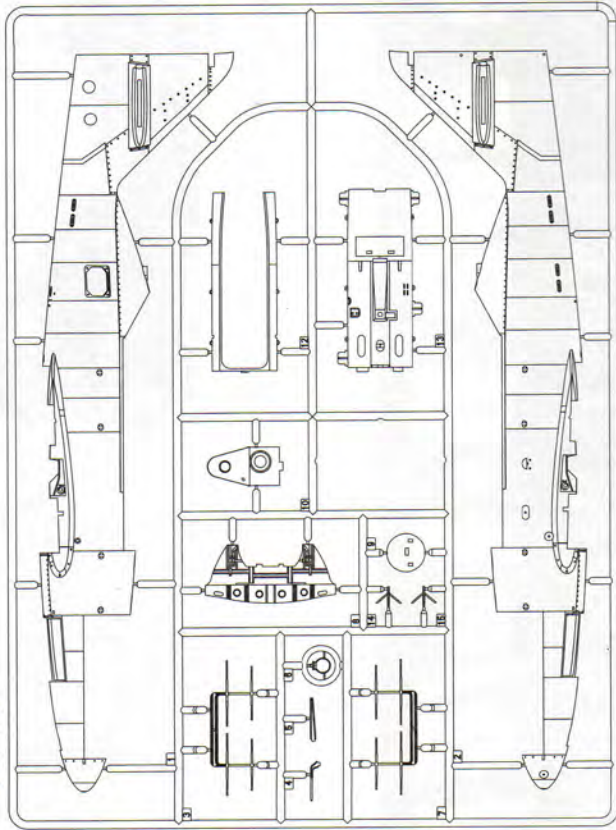


bend  
弯曲

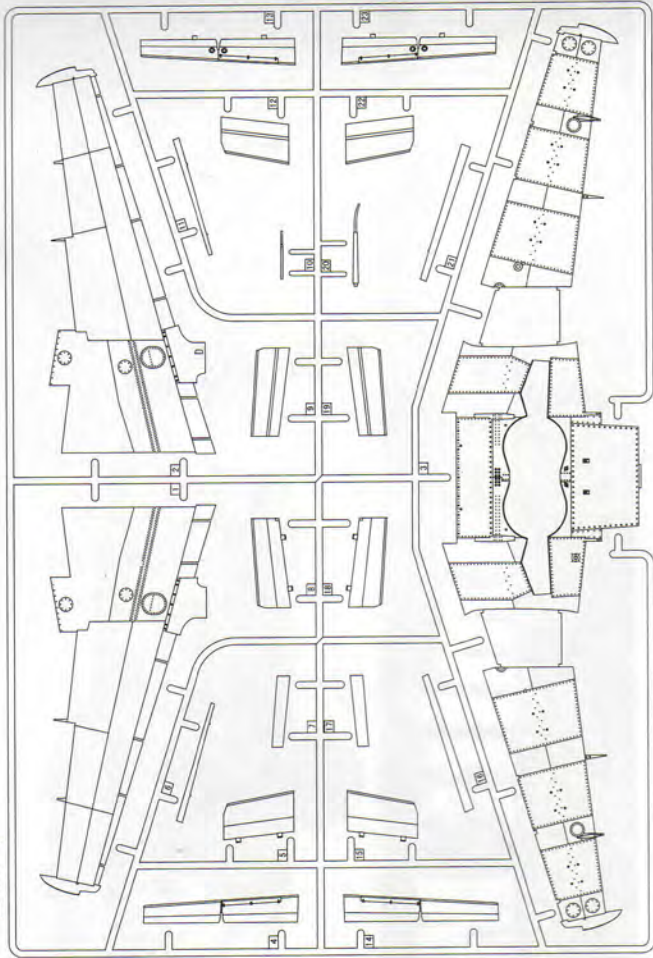


file / sand  
锉平

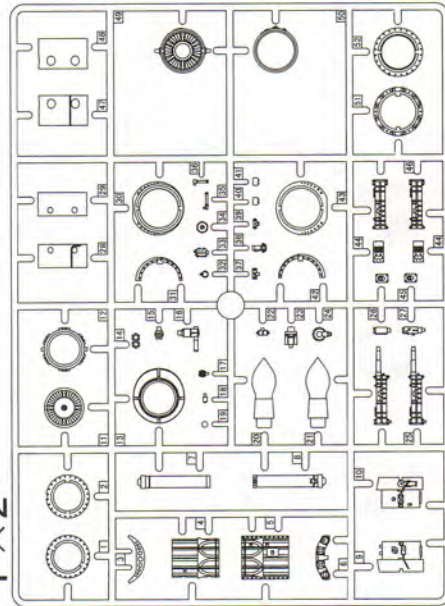
K×1



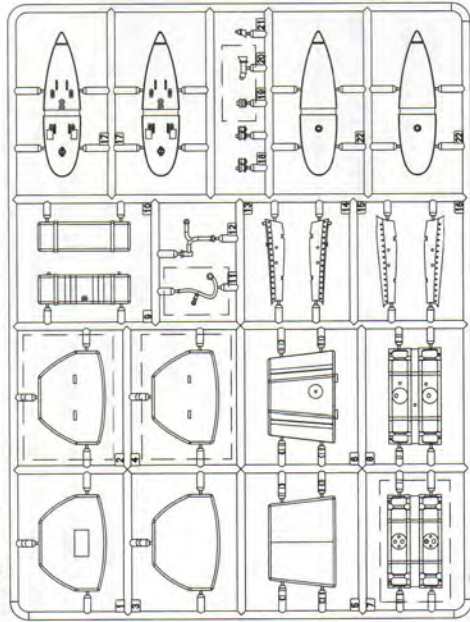
B×1



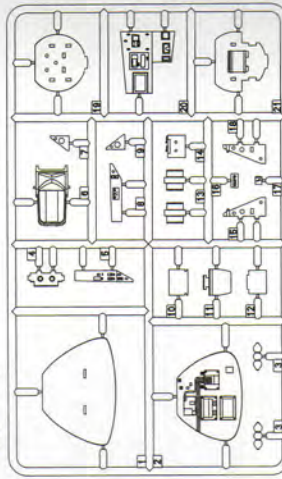
F×2



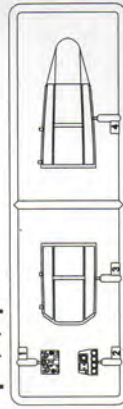
M×1



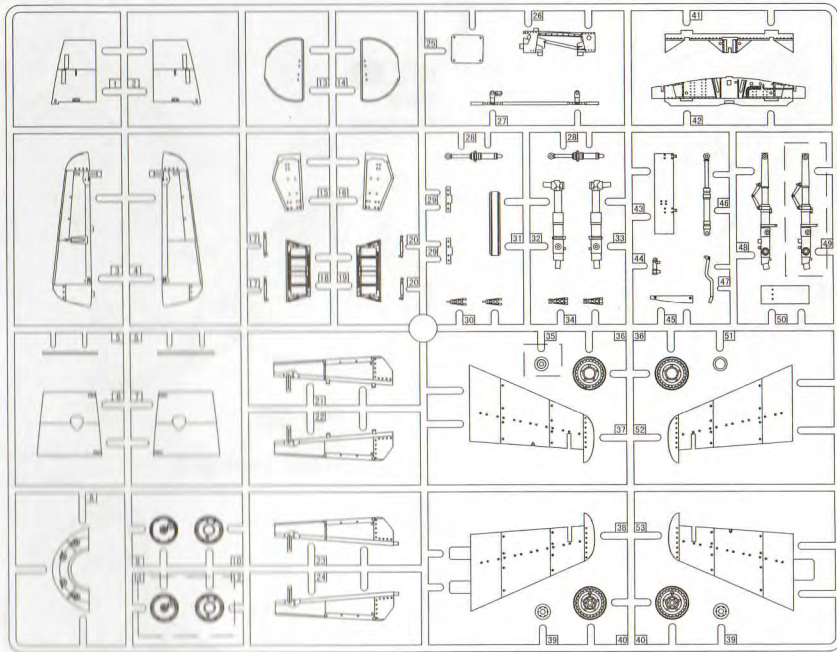
N×1



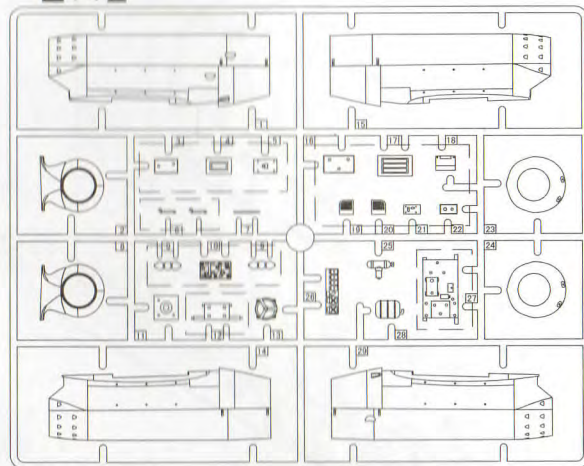
P×1



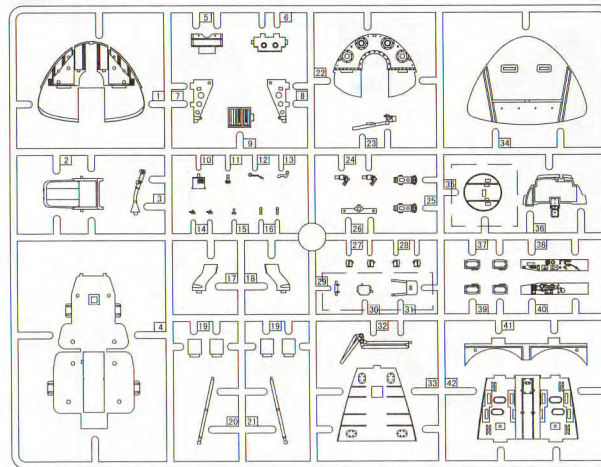
C×1



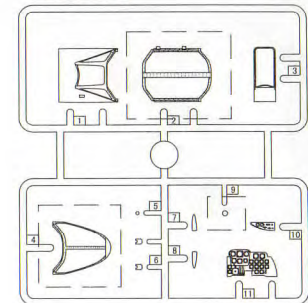
E×2



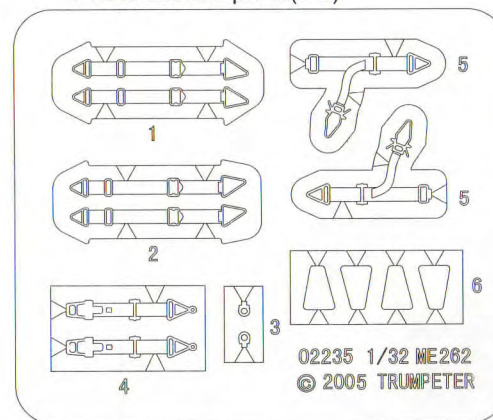
D×1



G×1



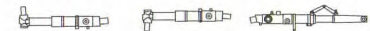
蚀刻片  
Photo Etched parts(PE)



主轮胎  
Main tire



前轮胎  
Nose tire

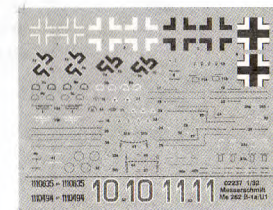


Metal Parts×3

<<菲林片>>  
Film Parts



水贴纸  
Decal

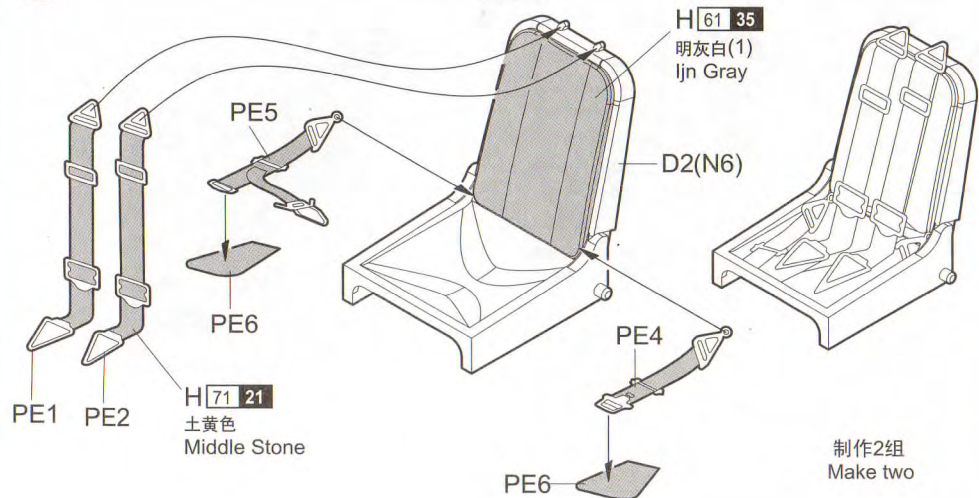


不用的部件:  
Unused parts

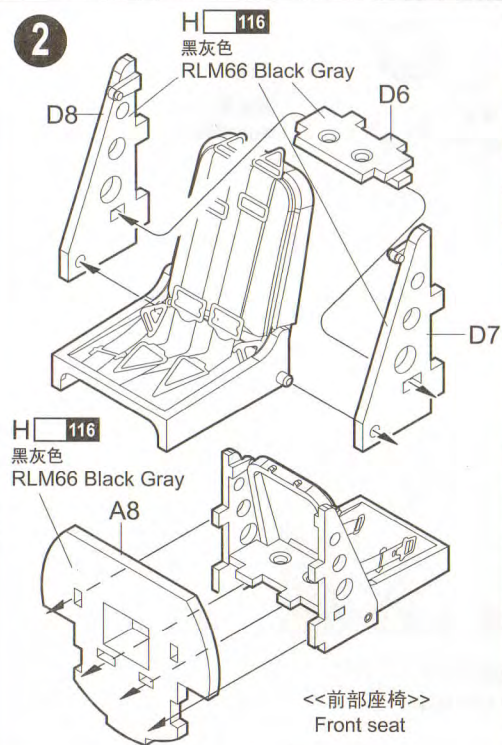
C11,C12,C35,C49,D29,D30,D31,D35,E3,E4,E5,E6,E9,E10,  
E12,E16,E17,E18,E19,E20,E21,E22,E27,G2,G4,G9,M2,M4,  
M7,M11,M19,M20

1

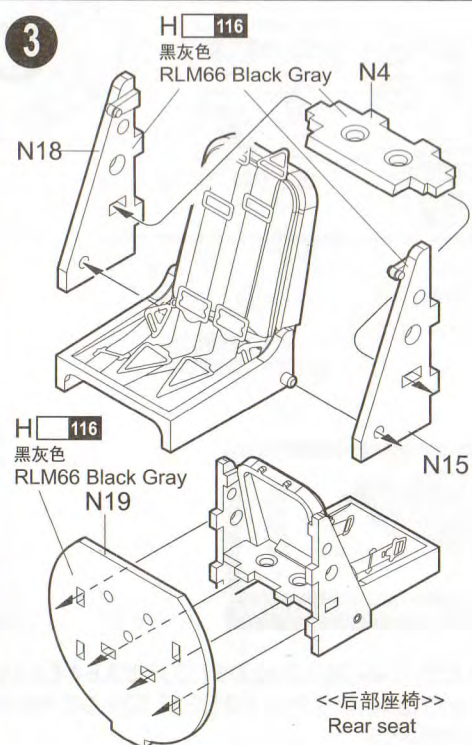
<<座椅>>  
Seat



2

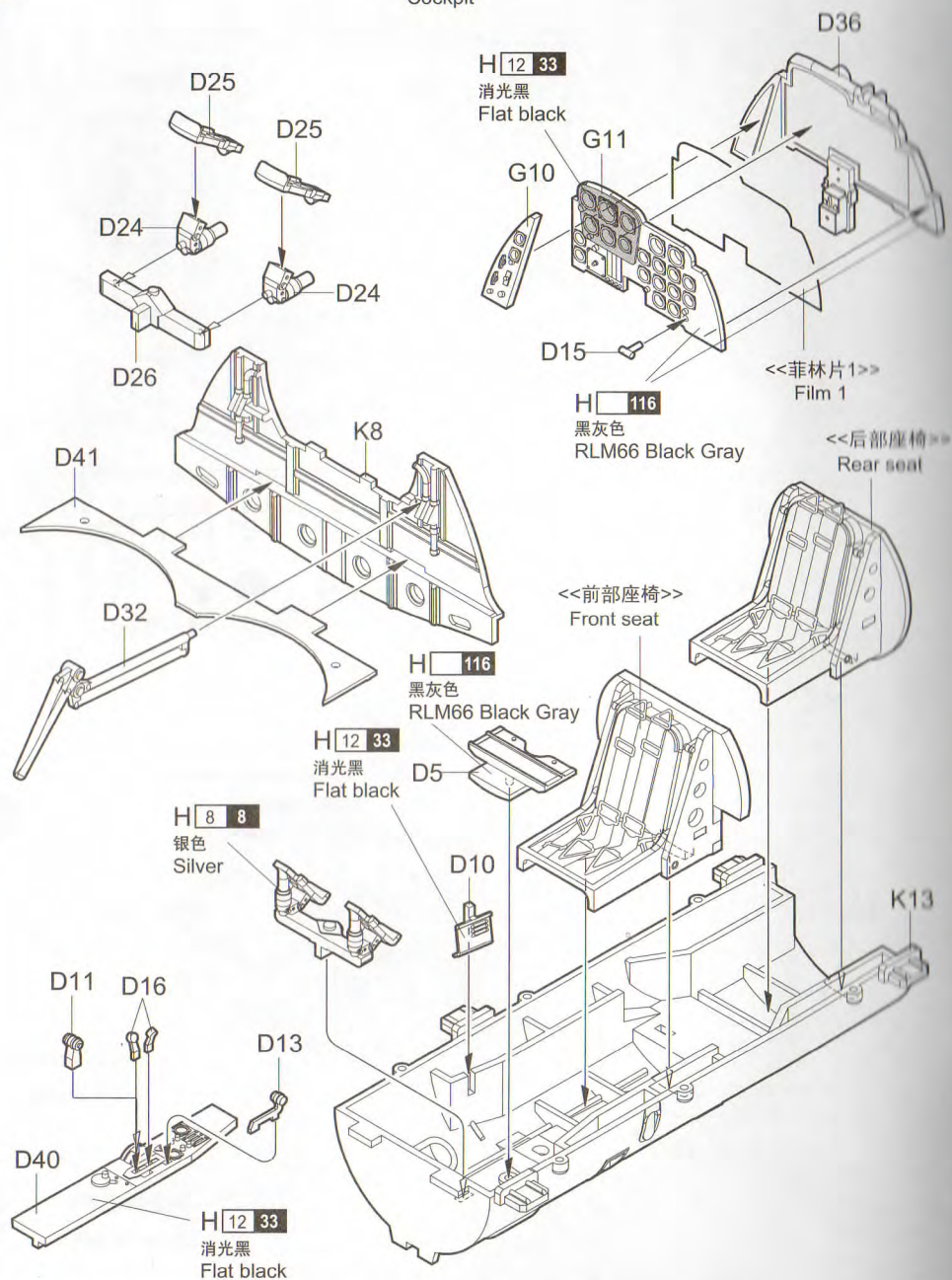


3



4

<<座舱>>  
Cockpit

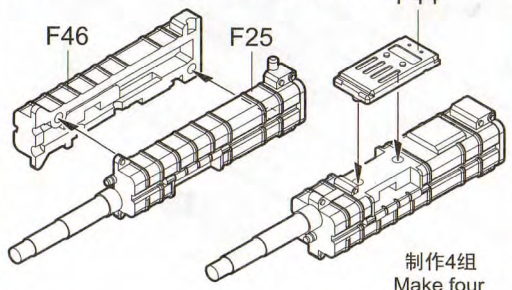




7

<<机炮>>

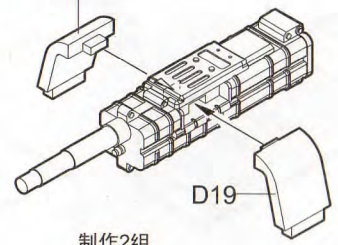
Machine cannon



制作4组  
Make four

8

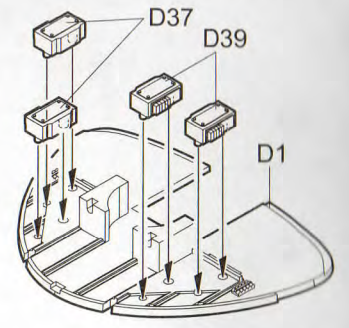
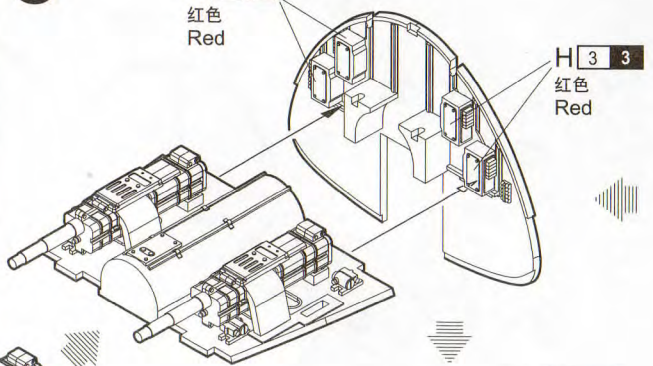
D19



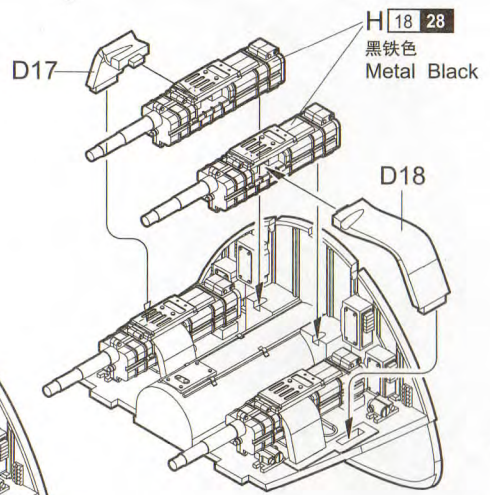
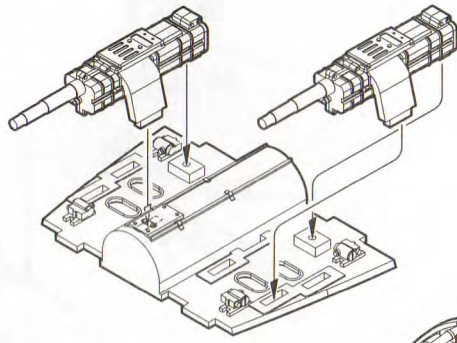
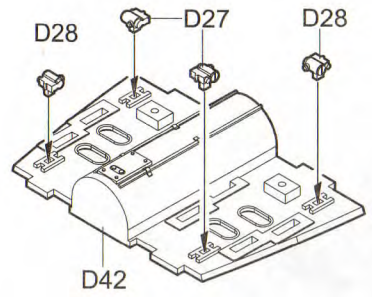
制作2组  
Make two

9

H 3 3  
红色  
Red

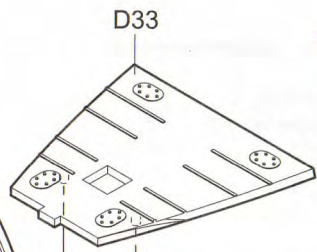
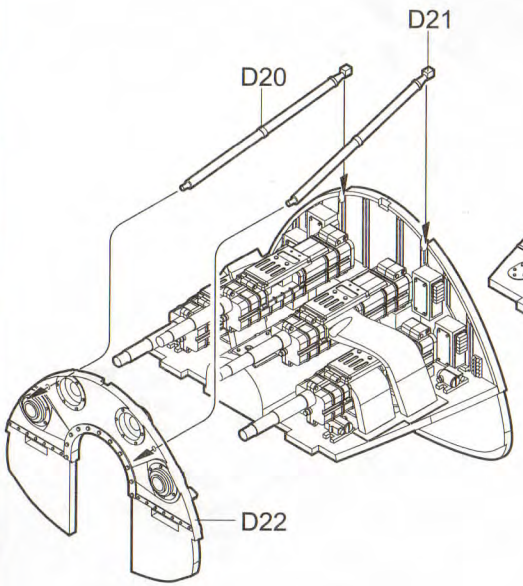


<<前起落架>>  
Nose undercarriage

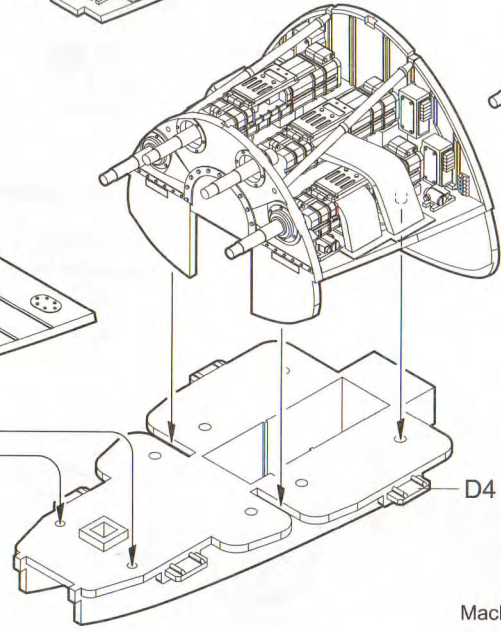


H 18 28  
黑铁色  
Metal Black

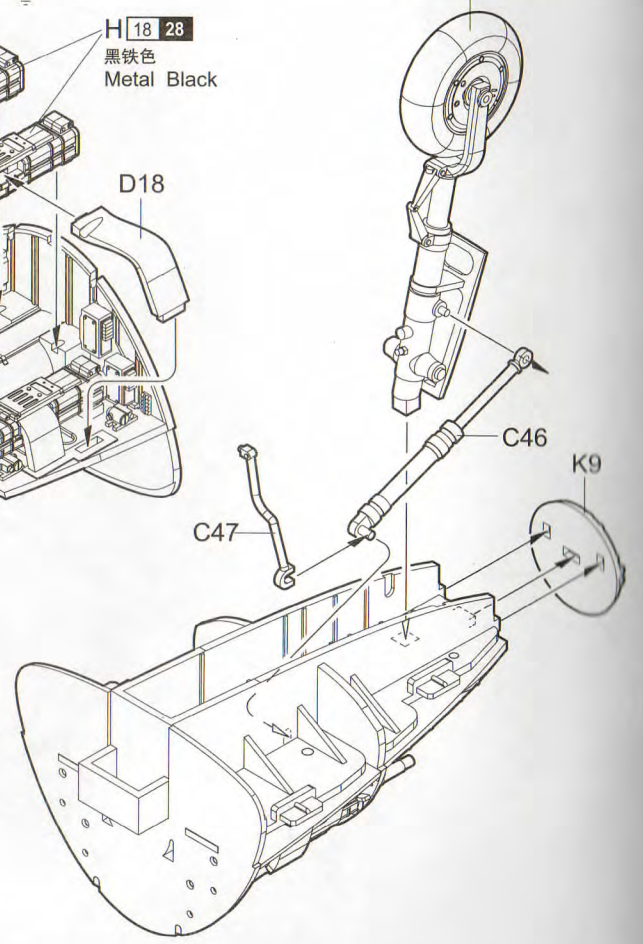
D18

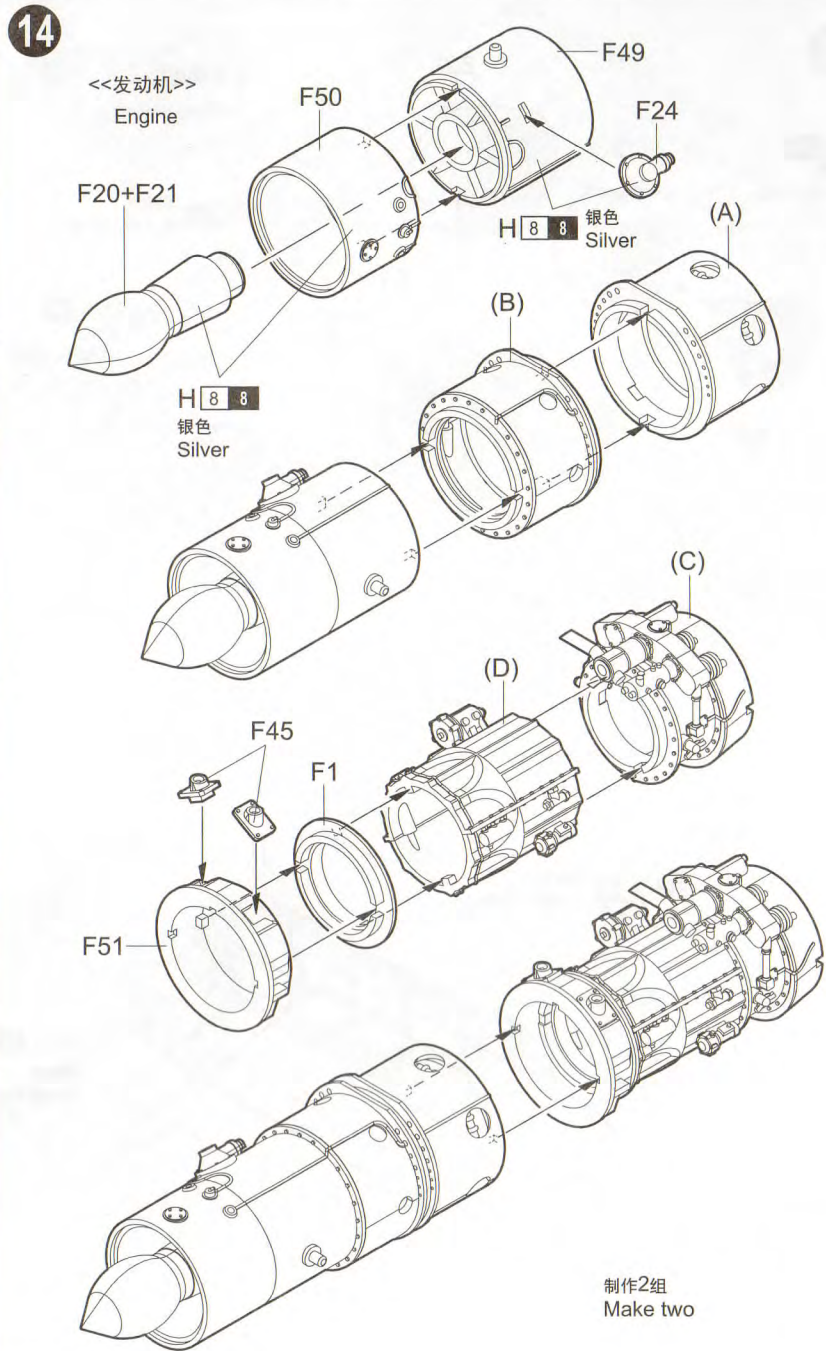
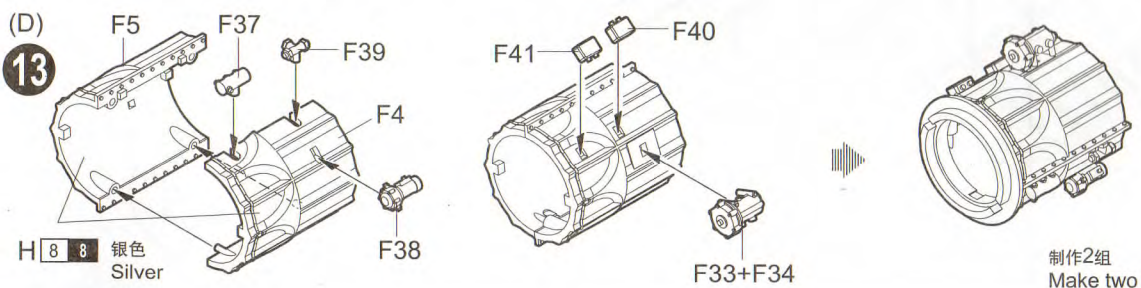
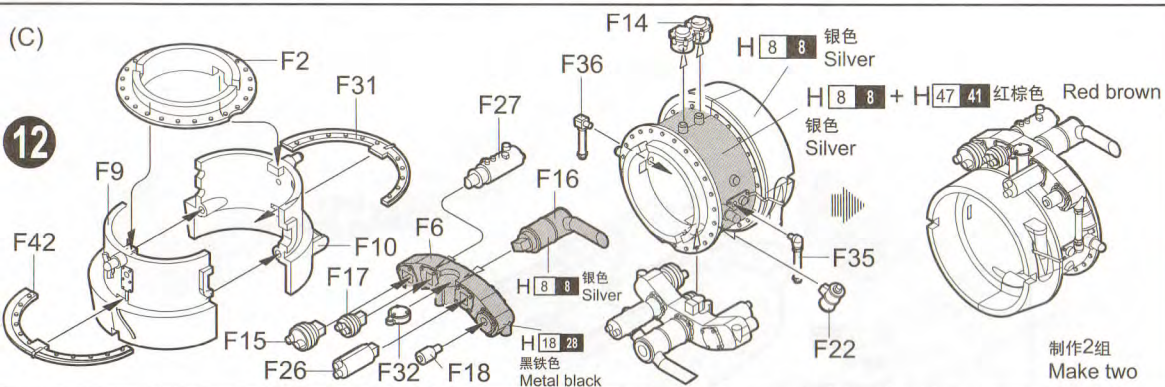
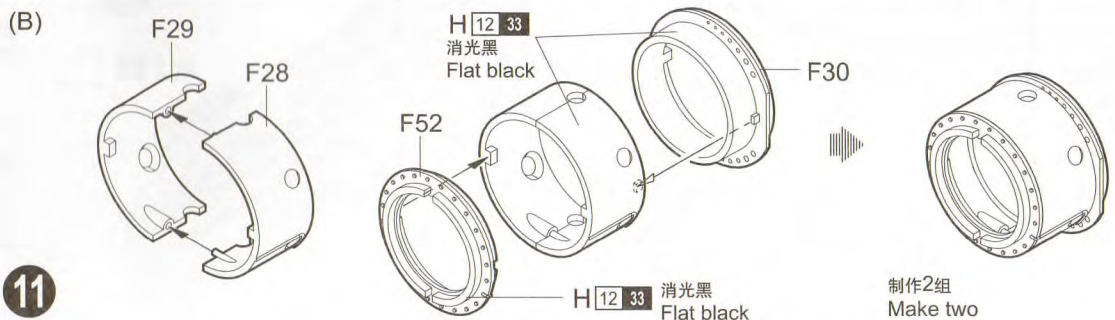
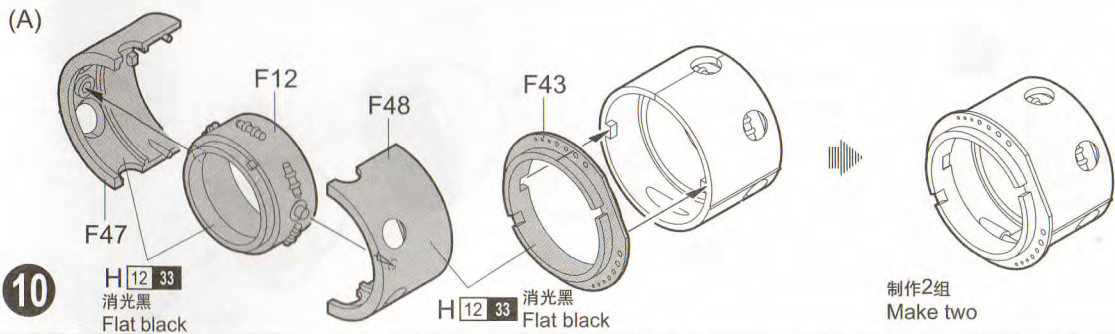


D33



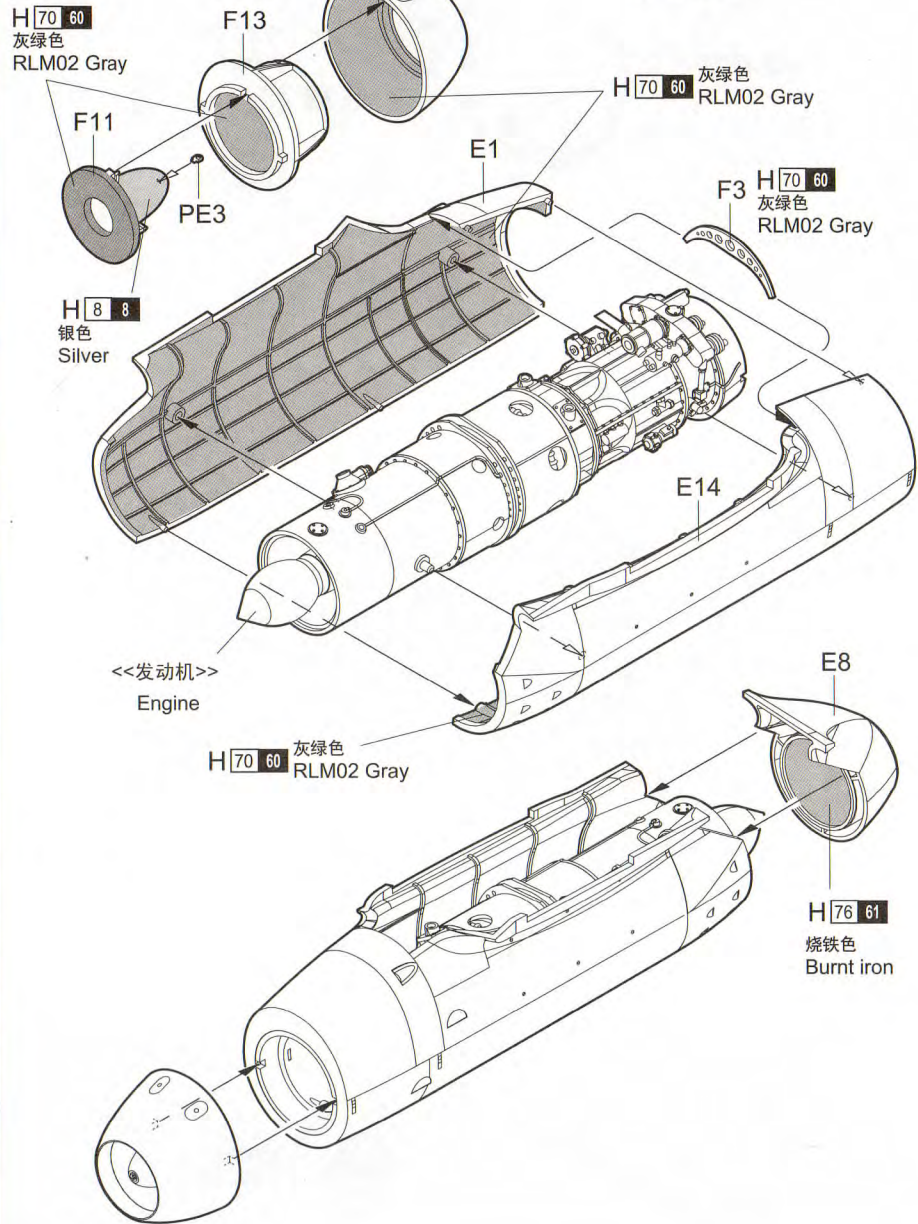
<<机炮舱>>  
Machine cannon cabin





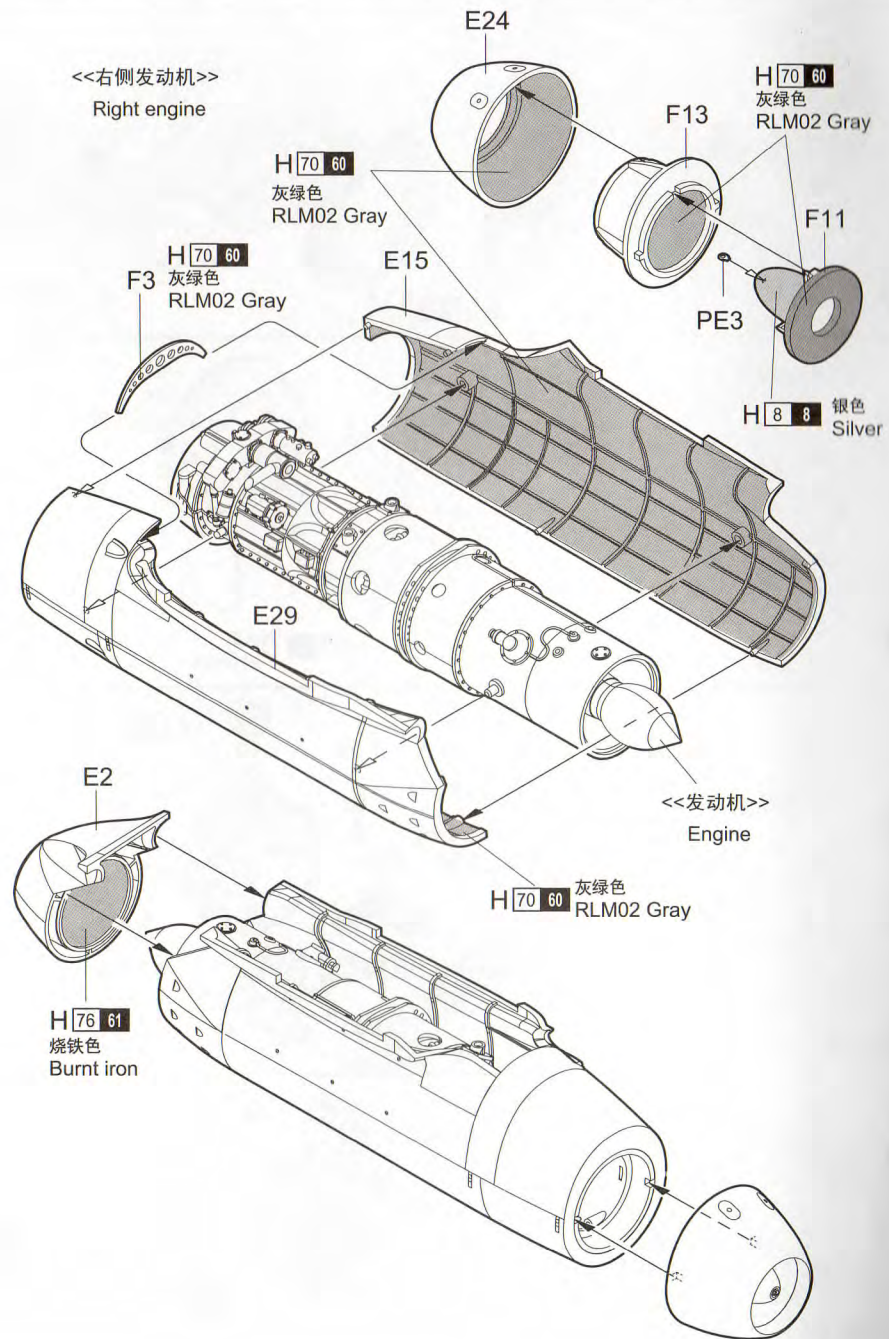
15

<<左侧发动机>>  
Left engine



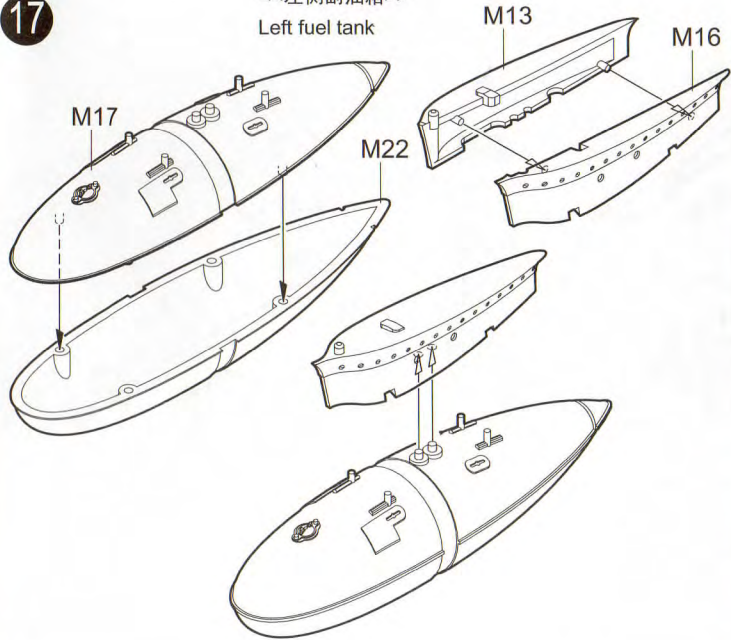
16

<<右侧发动机>>  
Right engine



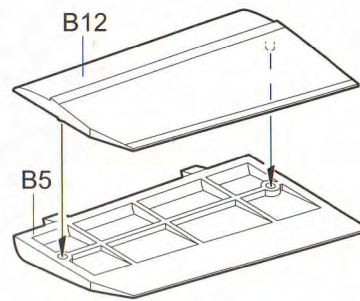
17

<<左侧副油箱>>  
Left fuel tank



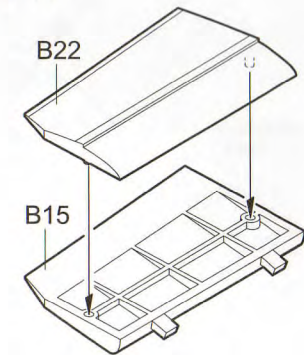
19

<<左侧襟翼 (A)>>  
Left flap (A)



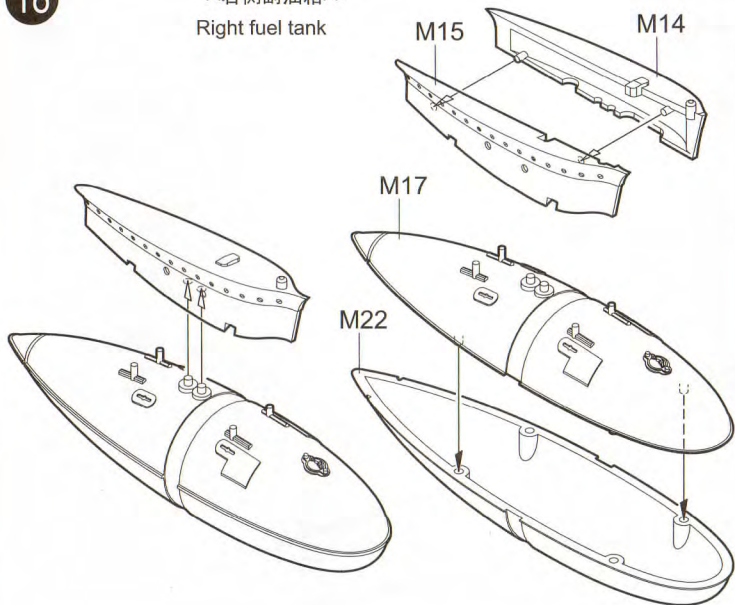
22

<<右侧襟翼 (A)>>  
Right flap (A)



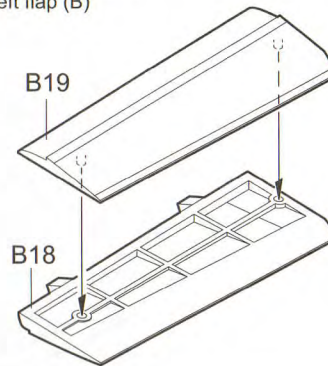
18

<<右侧副油箱>>  
Right fuel tank



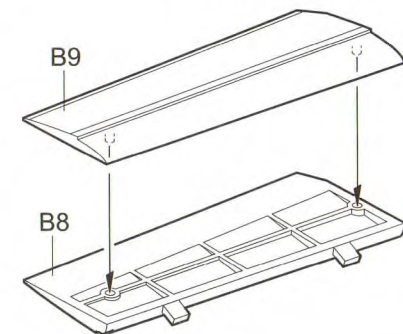
20

<<左侧襟翼 (B)>>  
Left flap (B)



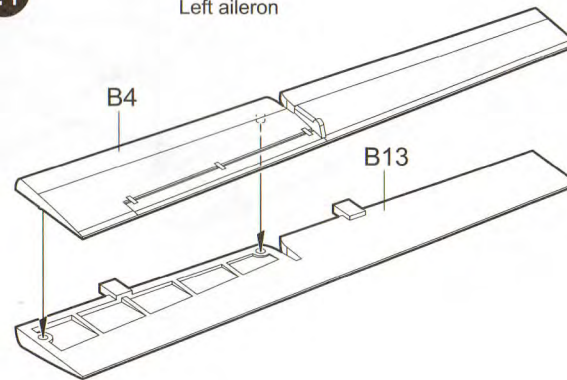
23

<<右侧襟翼 (B)>>  
Right flap (B)



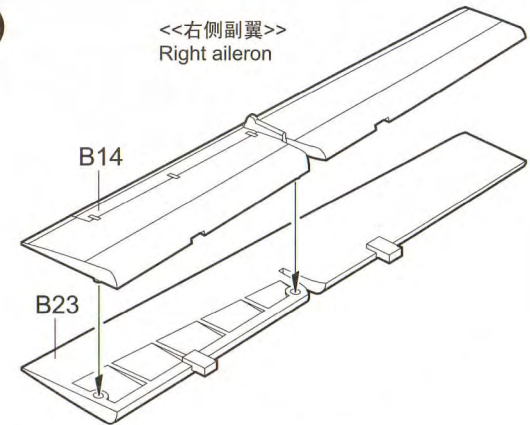
21

<<左侧副翼>>  
Left aileron



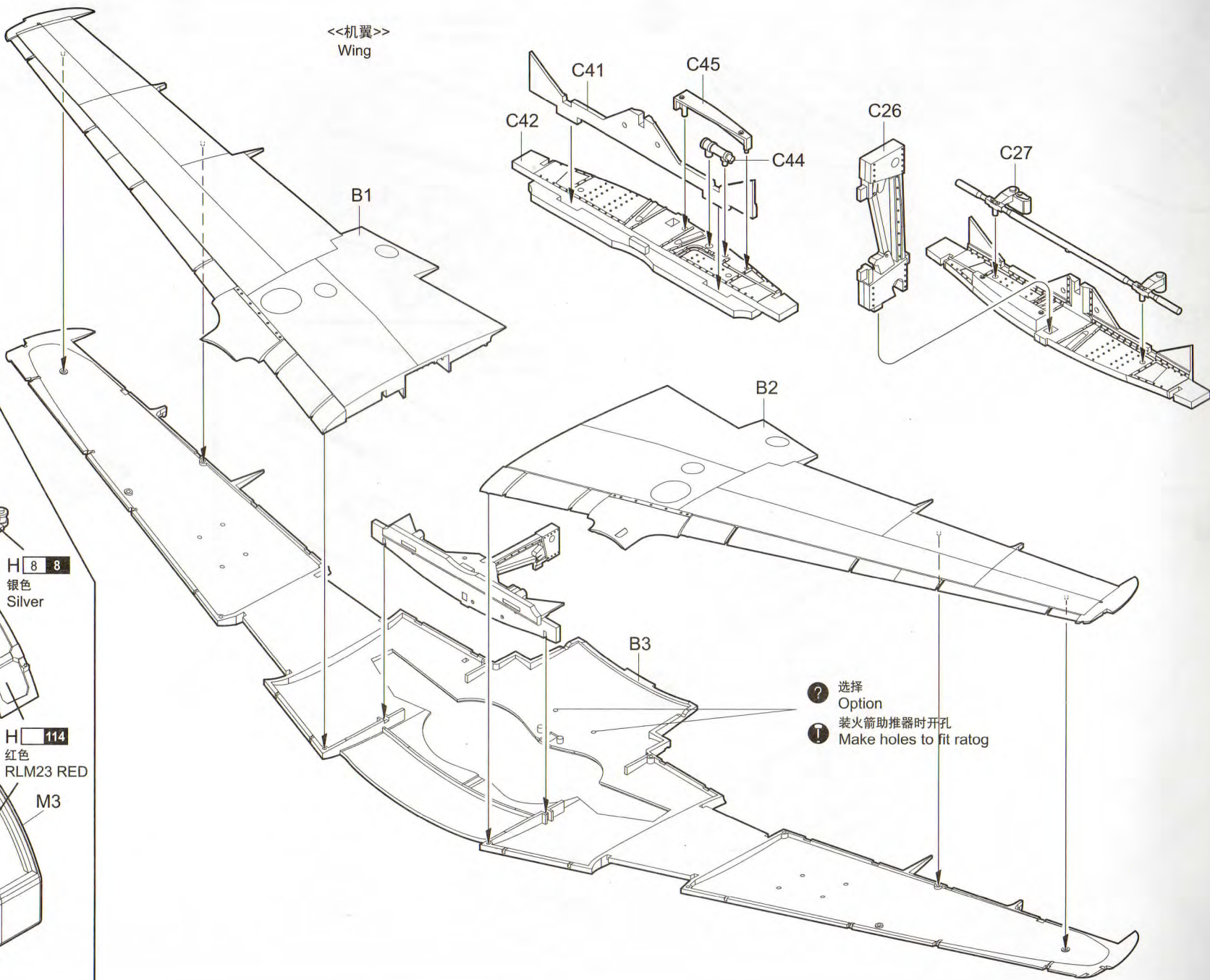
24

<<右侧副翼>>  
Right aileron



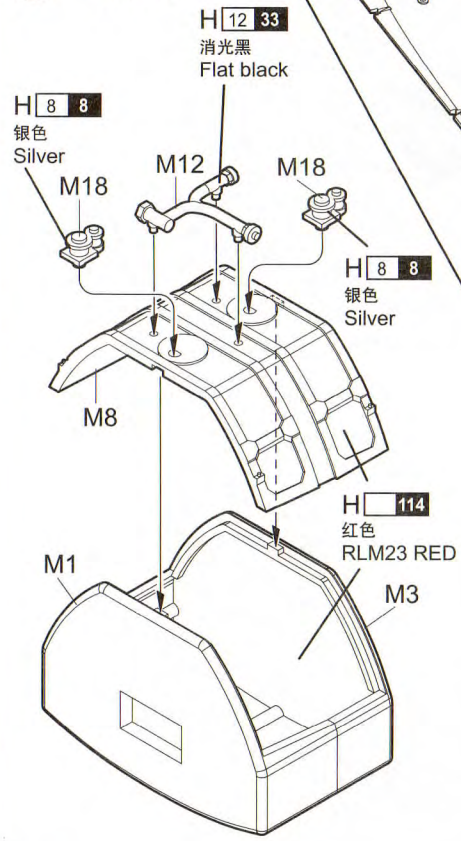
25

<<机翼>>  
Wing



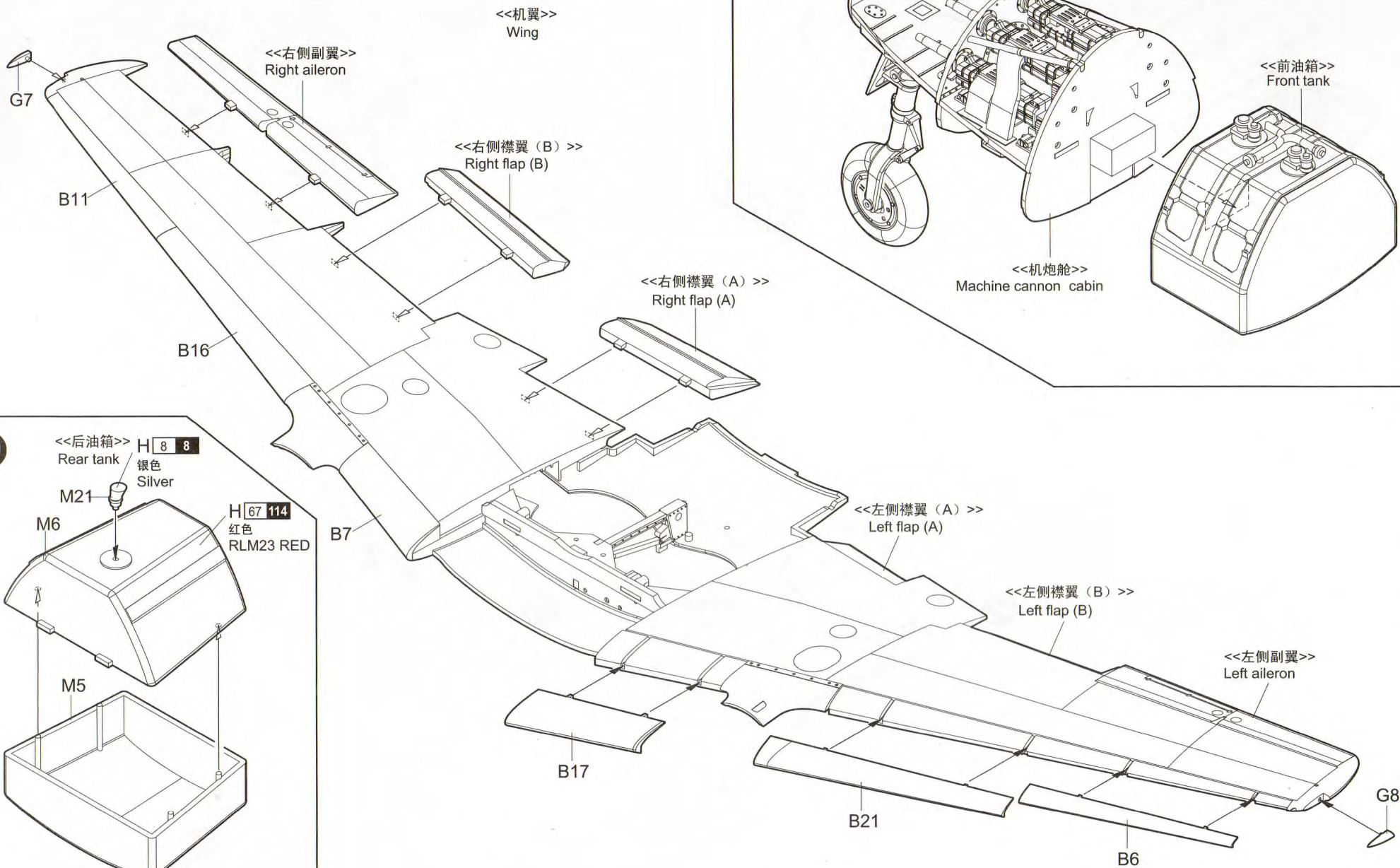
26

<<前油箱>>  
Front tank

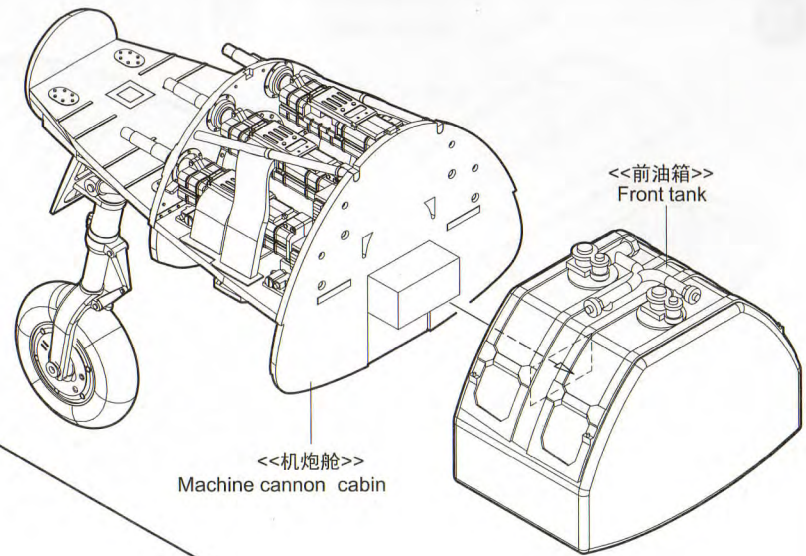


? 选择  
 Option  
 ! 装火箭助推器时开孔  
 Make holes to fit ratog

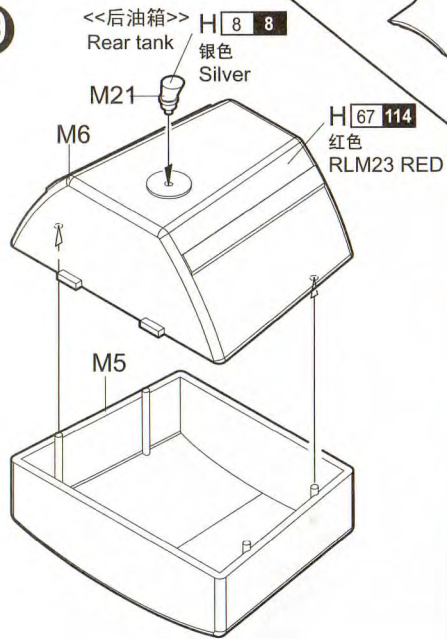
27

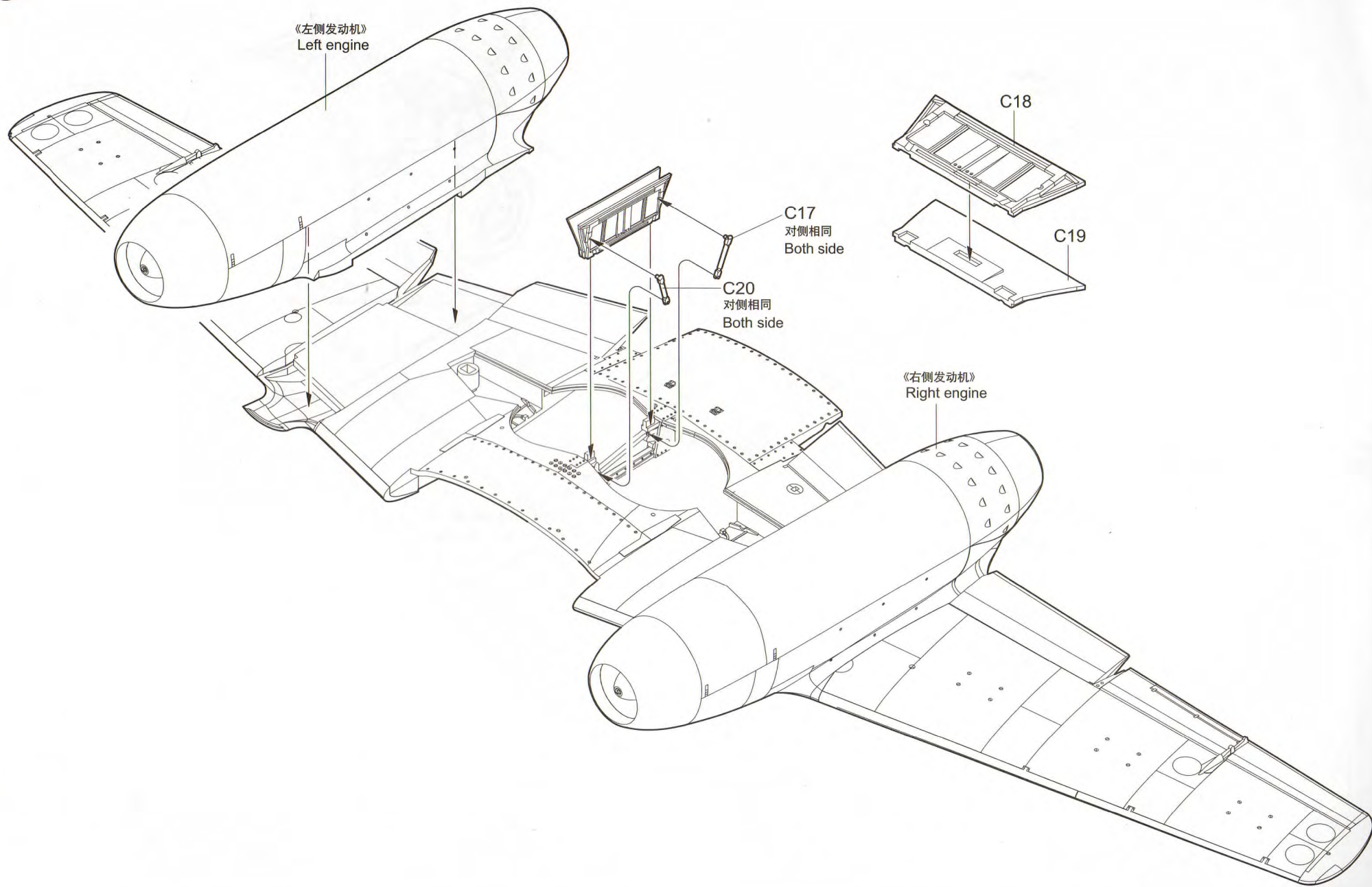


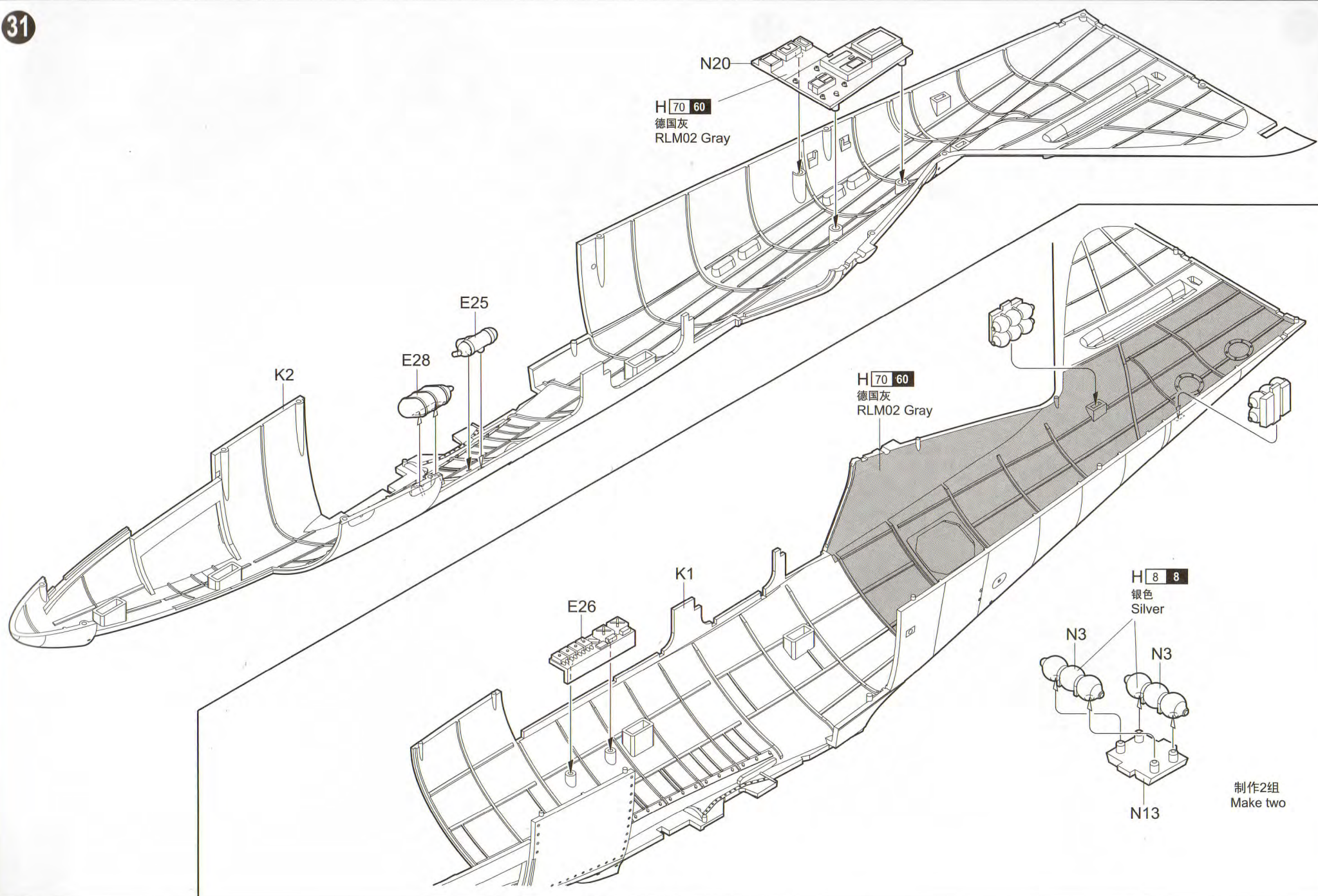
28



29





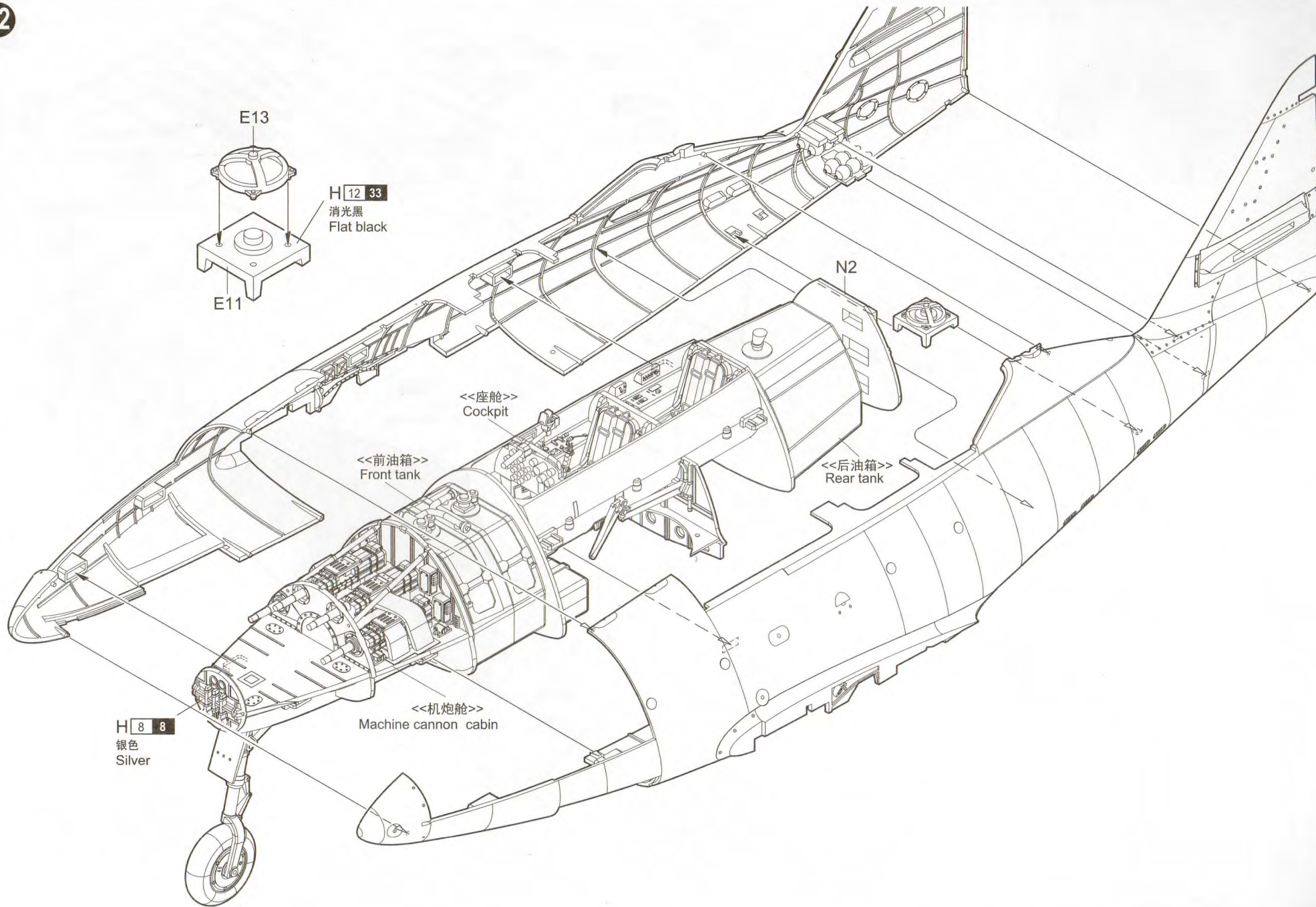


N20  
 H 70 60  
 德国灰  
 RLM02 Gray

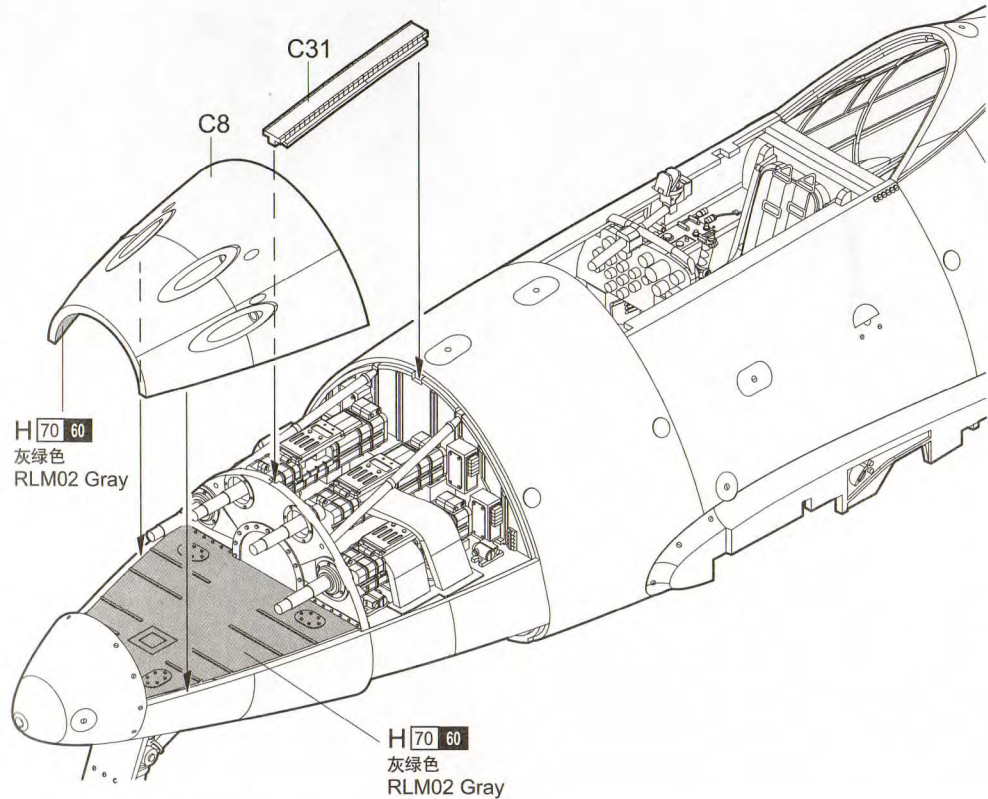
H 70 60  
 德国灰  
 RLM02 Gray

H 8 8  
 银色  
 Silver

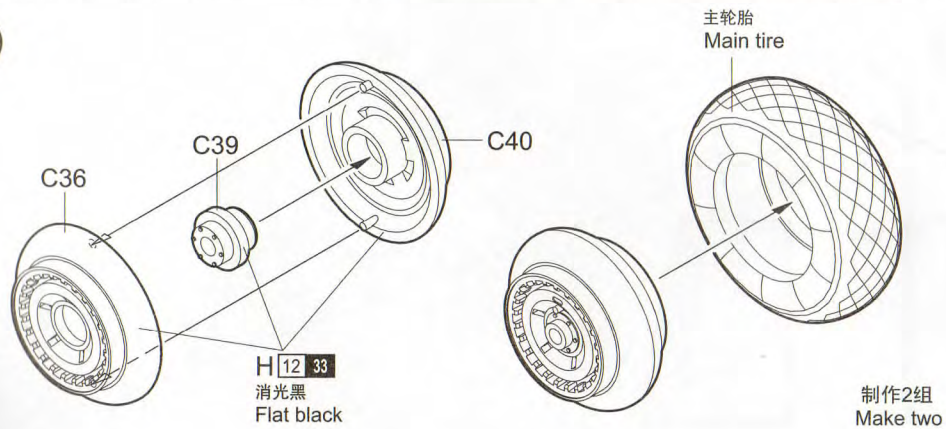
制作2组  
 Make two



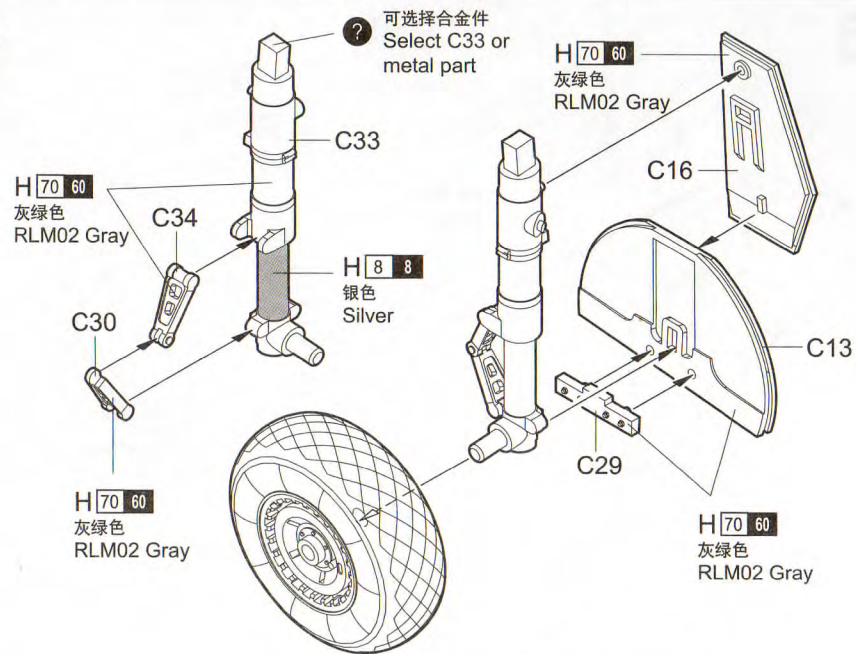
33



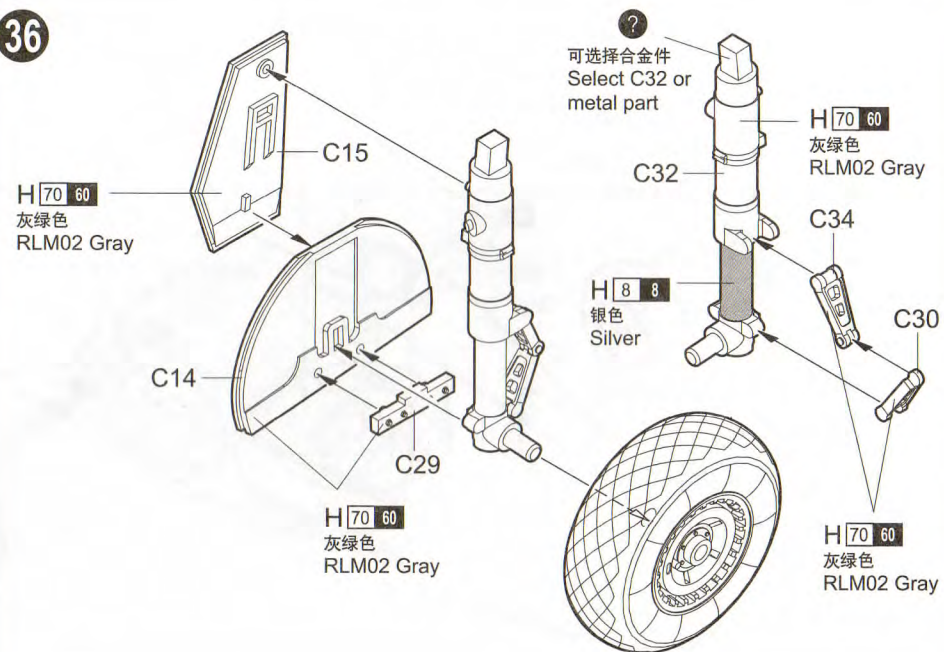
34



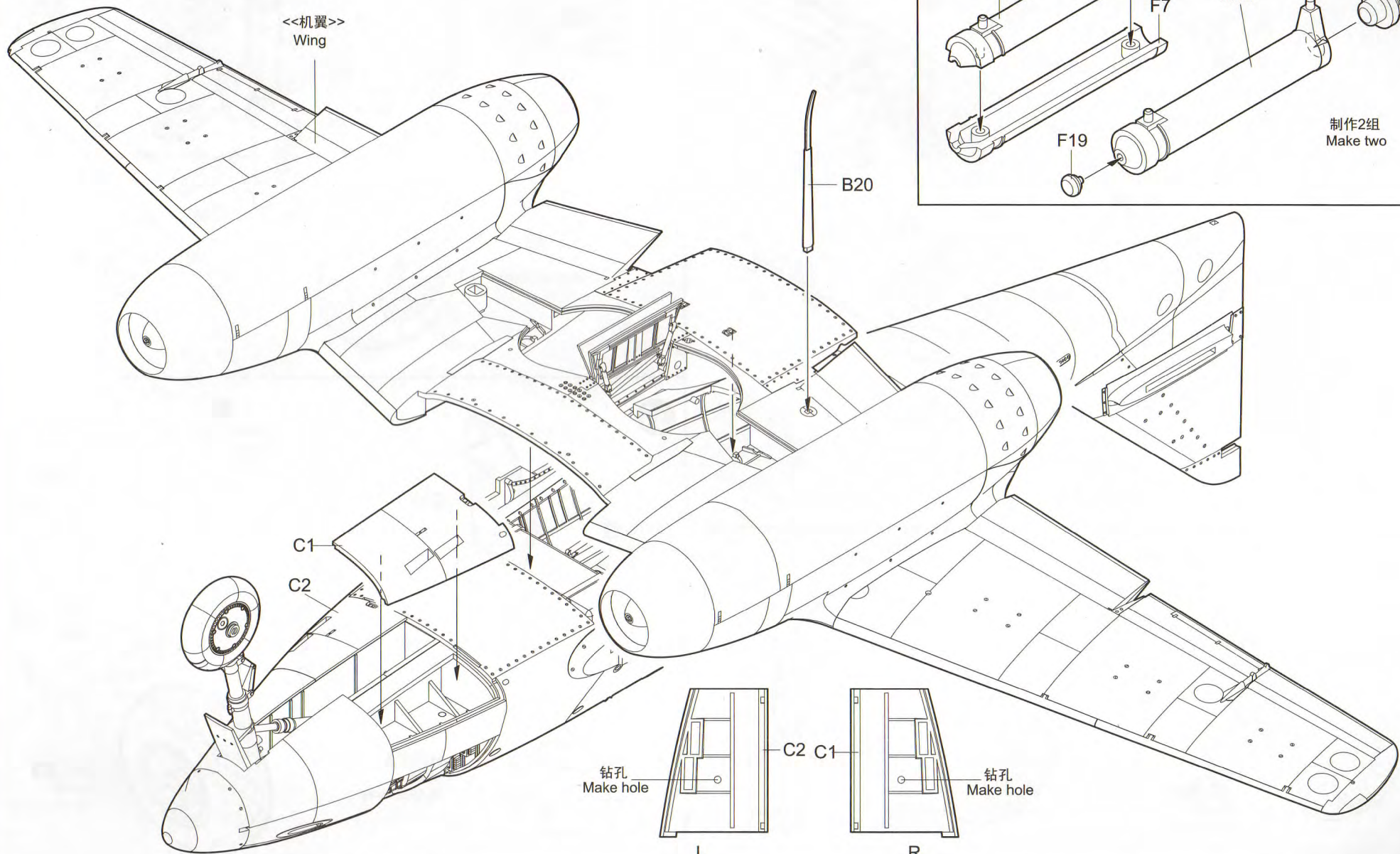
35



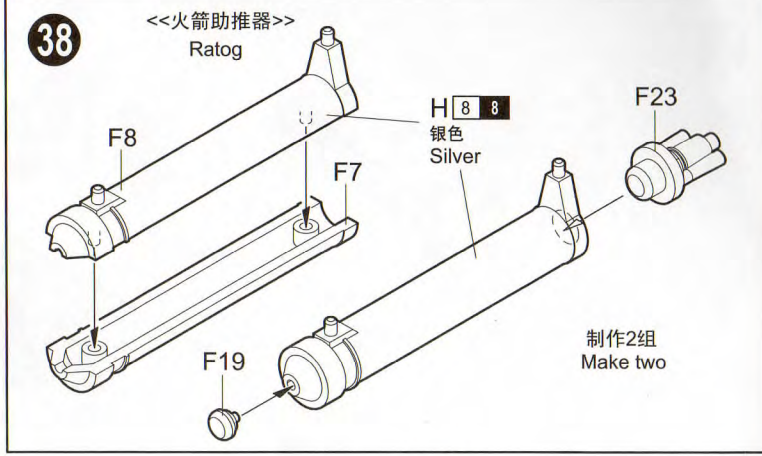
36

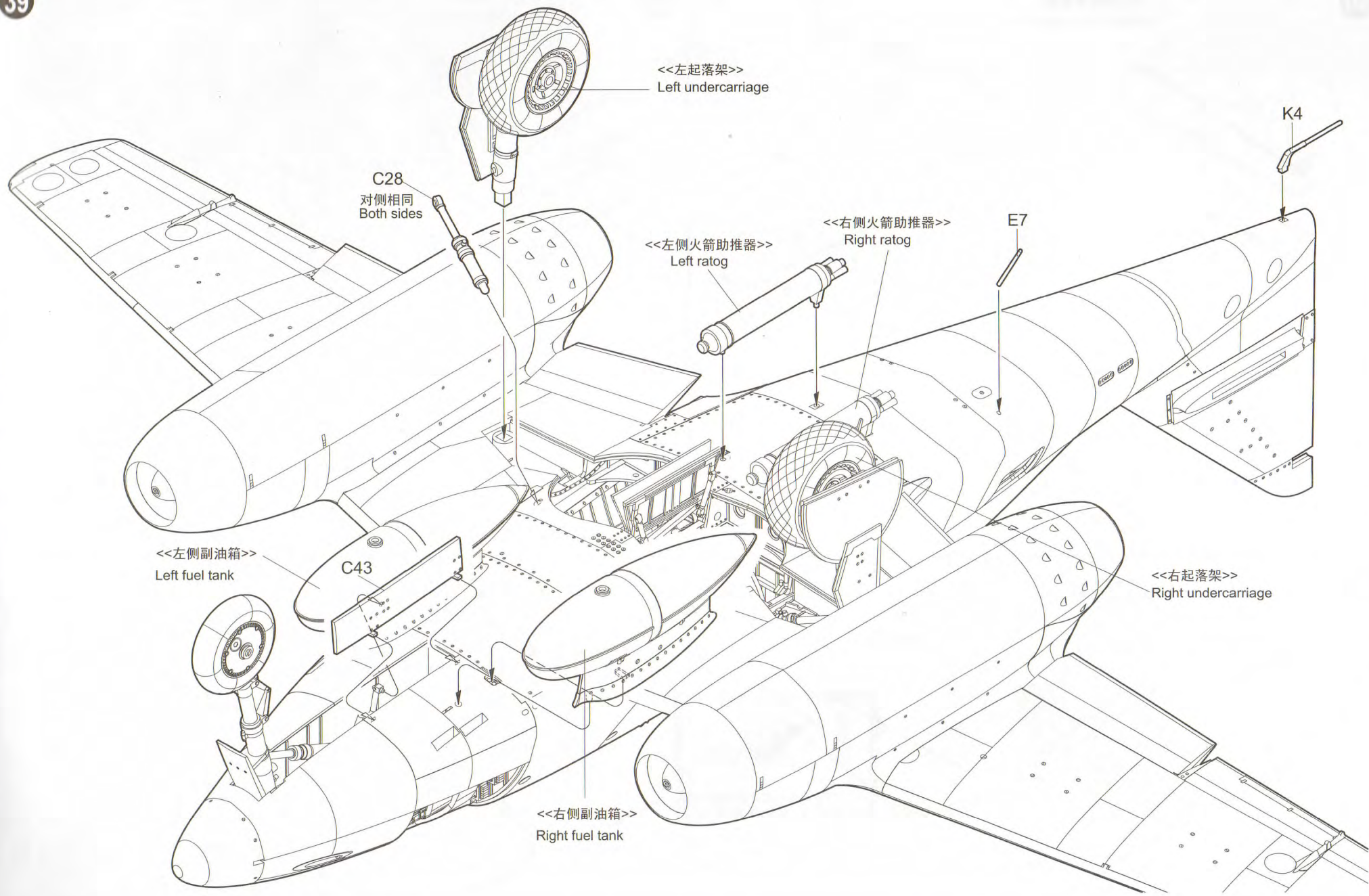


37



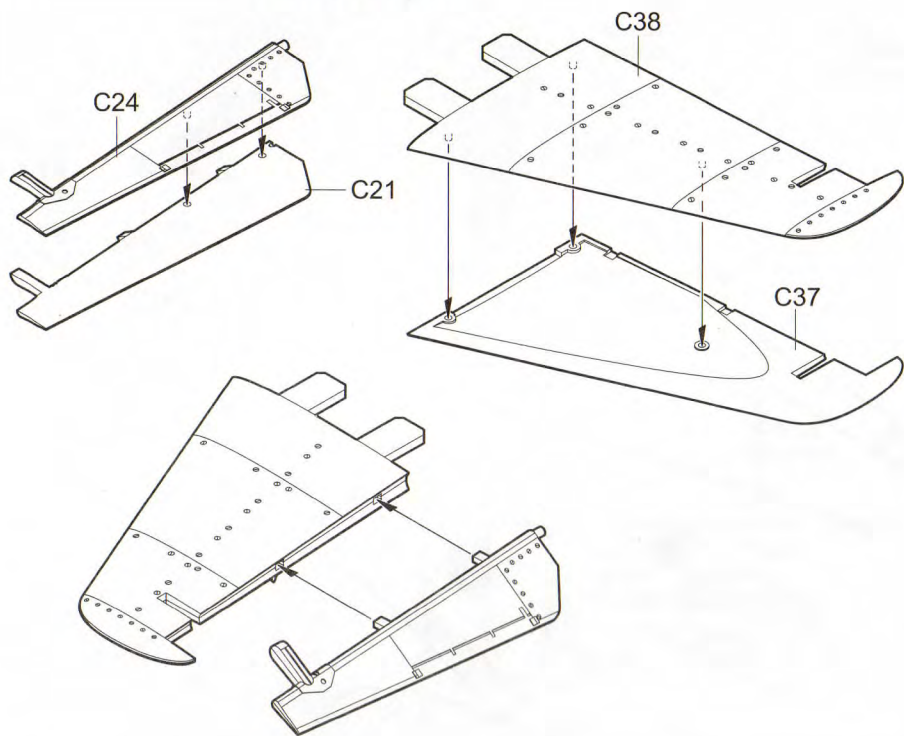
38





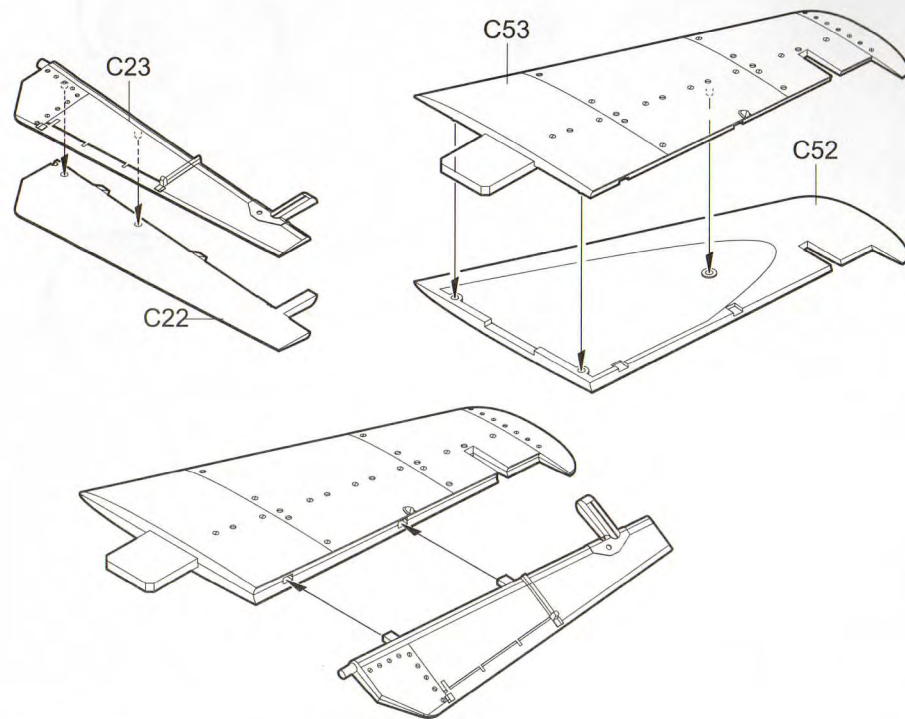
40

<<左侧水平尾翼>>  
Left horizontal stabilizer



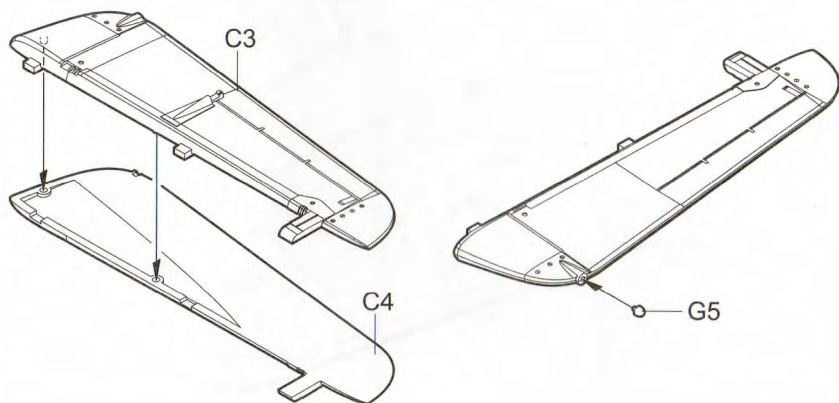
41

<<右侧水平尾翼>>  
Right horizontal stabilizer



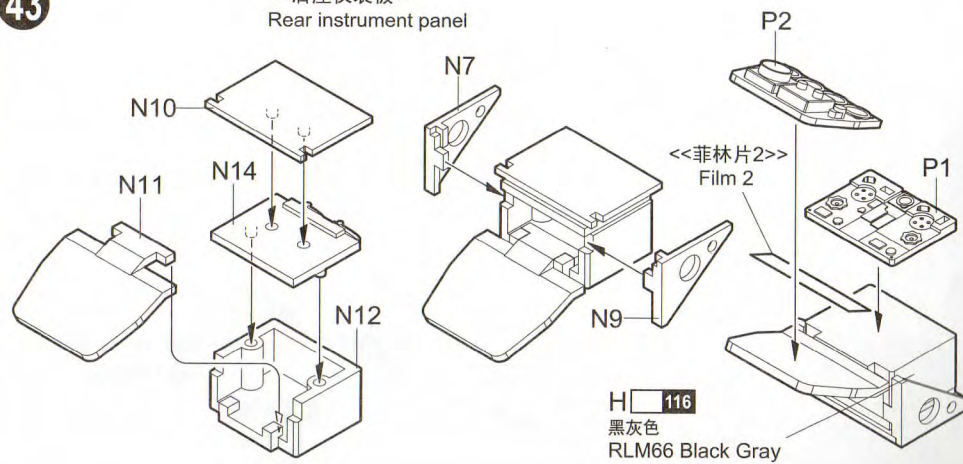
42

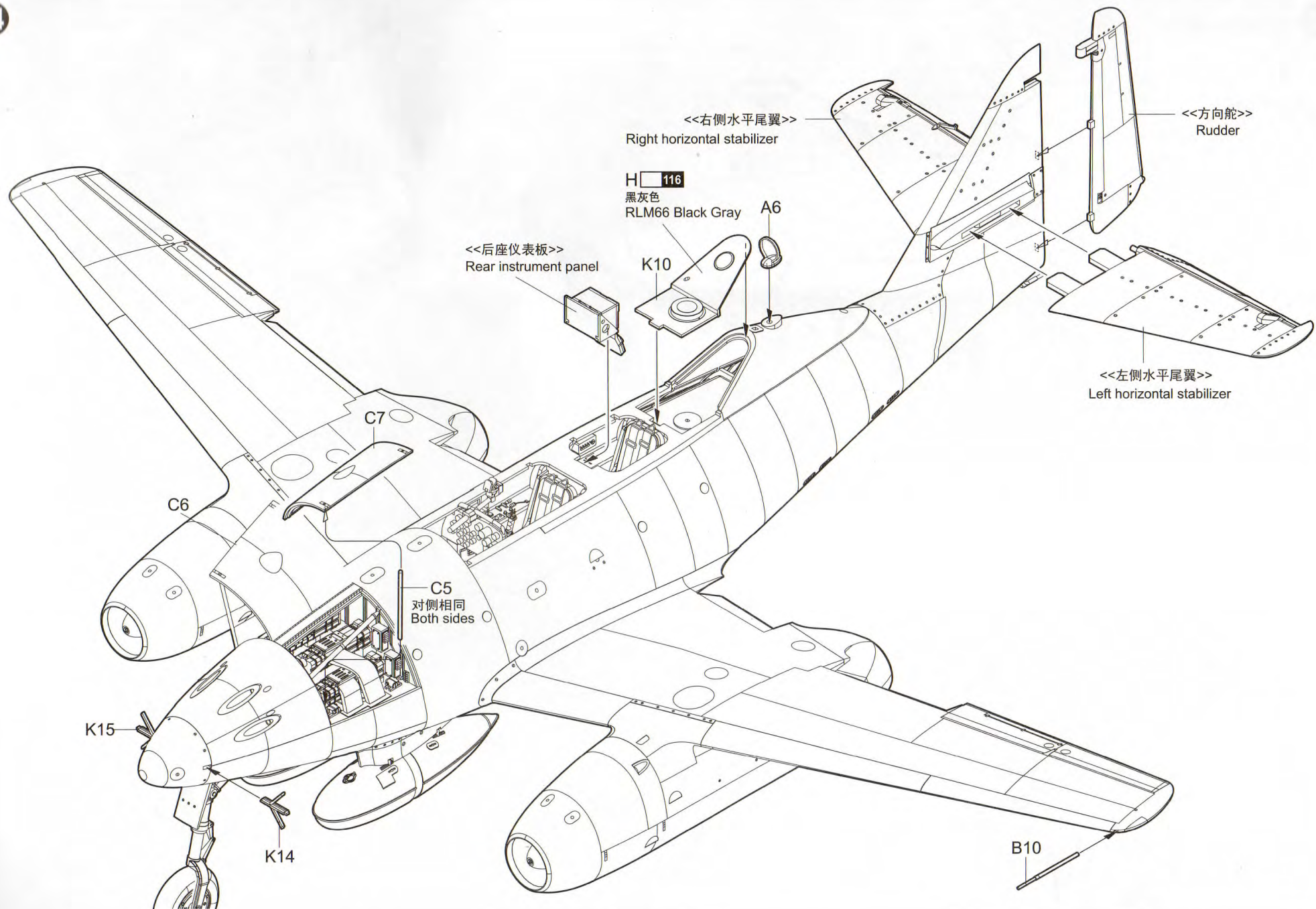
<<方向舵>>  
Rudder



43

<<后座仪表板>>  
Rear instrument panel





<<右侧水平尾翼>>  
Right horizontal stabilizer

<<方向舵>>  
Rudder

H 116  
黑灰色  
RLM66 Black Gray

<<后座仪表板>>  
Rear instrument panel

<<左侧水平尾翼>>  
Left horizontal stabilizer

C7

C6

C5  
对侧相同  
Both sides

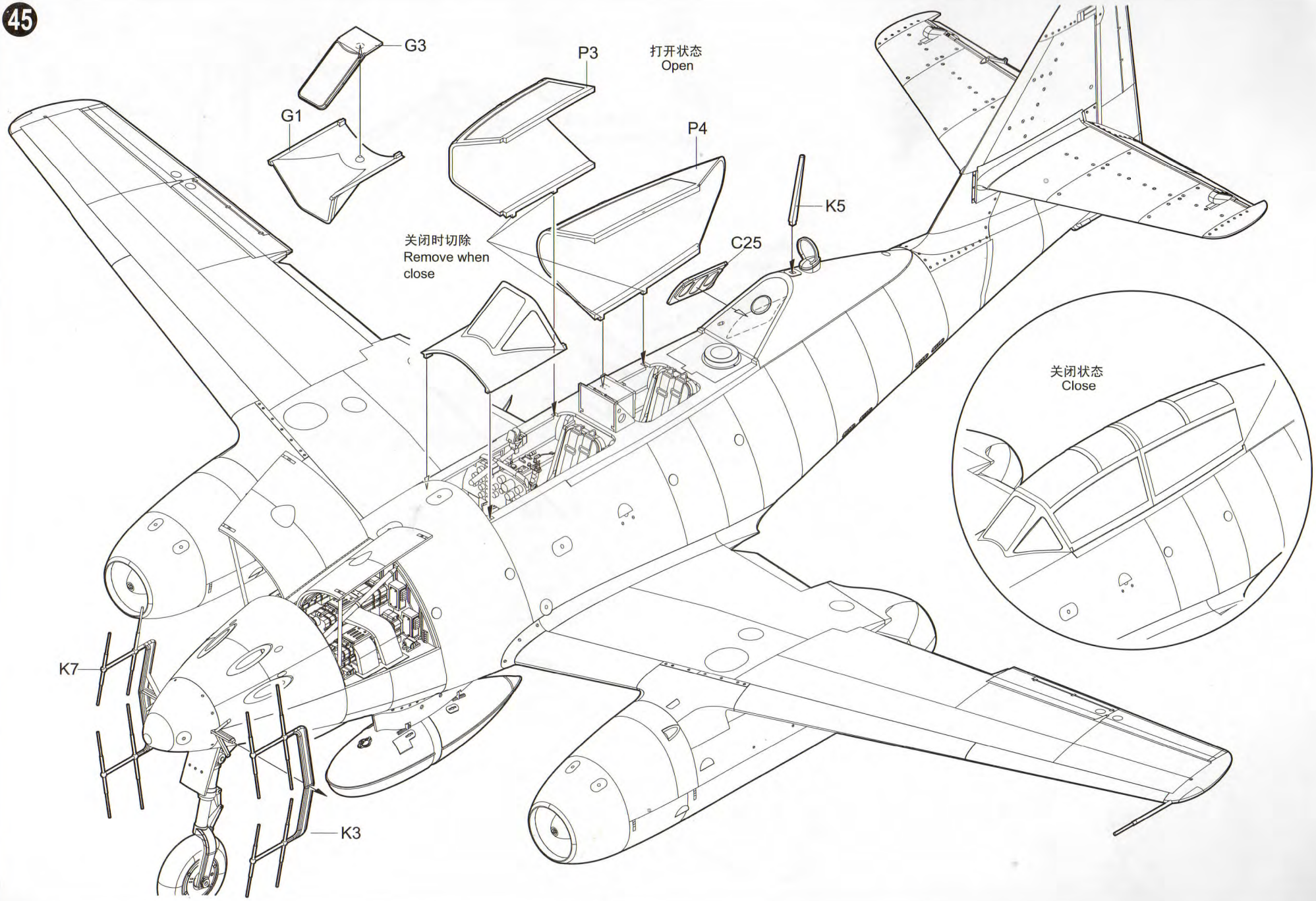
K15

K14

K10

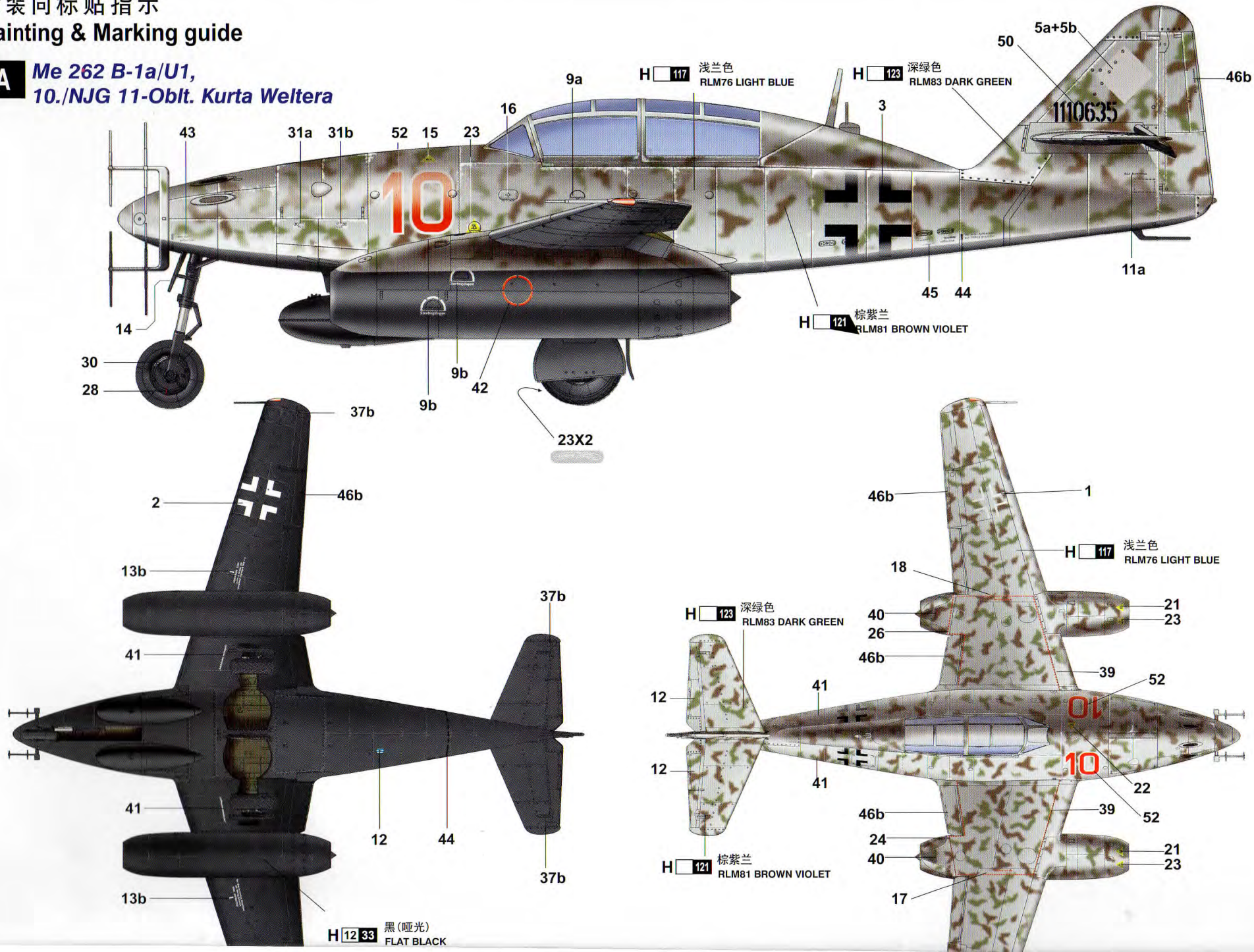
A6

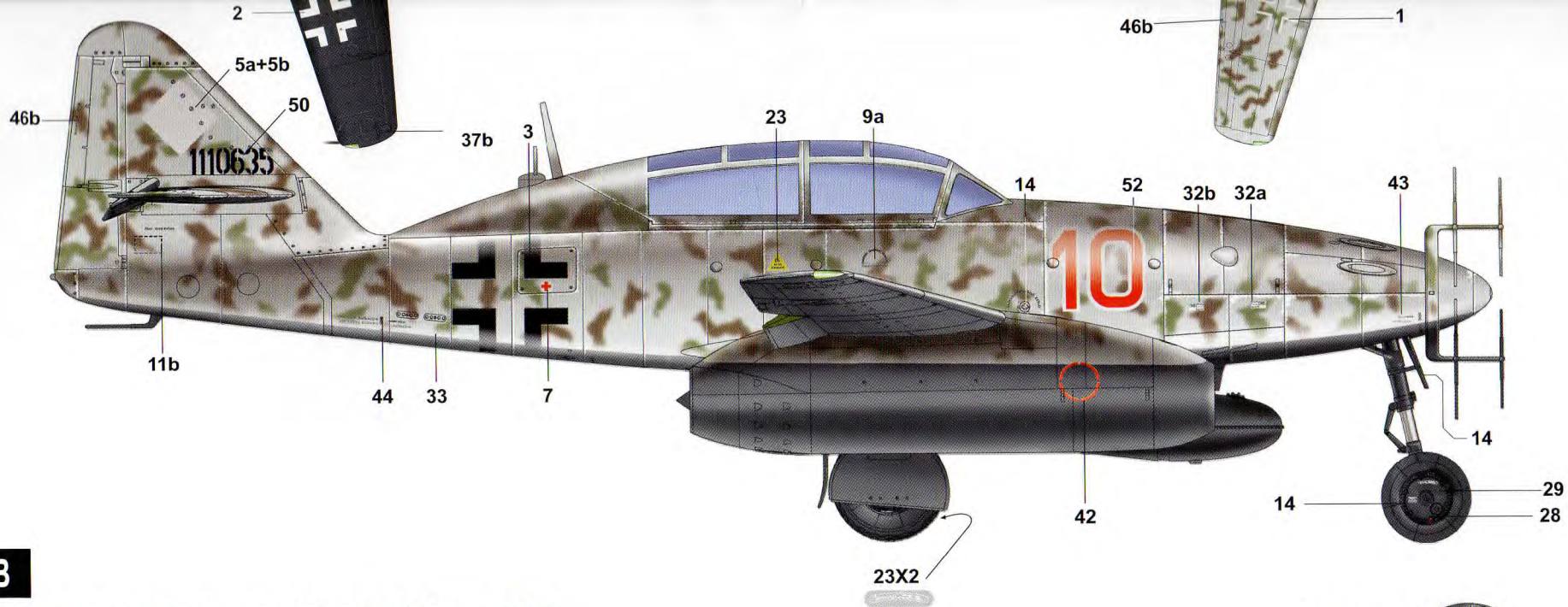
B10



# 涂装同标贴指示 Painting & Marking guide

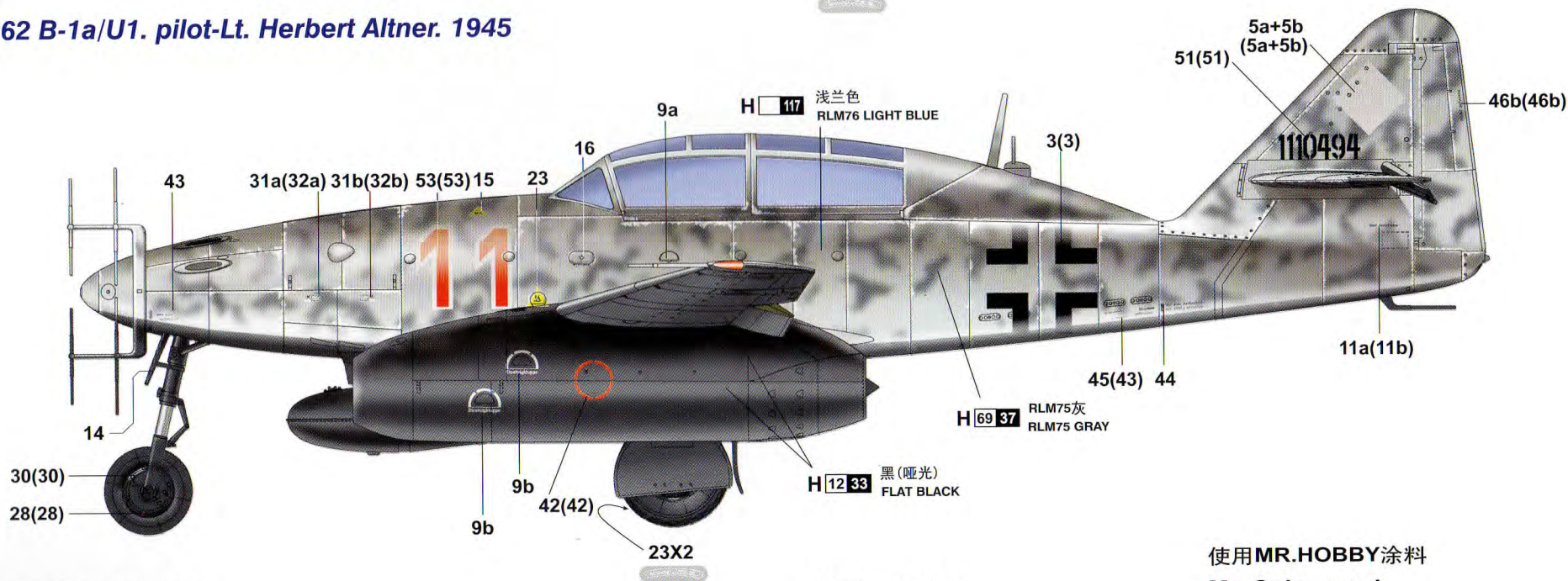
**A** Me 262 B-1a/U1,  
10./NJG 11-Oblt. Kurta Weltera





**B**

*Me 262 B-1a/U1. pilot-Lt. Herbert Altner. 1945*



H 8 AQUEOUS HOBBYCOLOY

H 8 Mr.COLOR

使用MR.HOBBY涂料  
Mr. Color used