

M1130 "Stryker" Command Vehicle

ITEM NO.:00397

M1130 "斯崔克" 指挥车

1:35 SCALE



READ BEFORE ASSEMBLY:

- Study and understand these instructions thoroughly before beginning assembly
- When needed, remove photo-etch parts carefully using a modeling knife or photo etch sprue cutter, being careful not to damage or lose small parts.
- Take extra care in handling photo etch parts in order to avoid injury
- Apply instant cement sparingly to photo etch parts where instructed
- Tools recommended(not included in kit):Plastic and instant cements,sprue cutters,long nose pliers,,modeling knife, small files, tweezers, pin vise & scissors. Soft cloth and sandpaper will also assist in construction
- Glue and paint are not included in the kit. Use plastic cement and hobby paints only. Color guide for purchasing paint is included in the kit.

装配之前仔细阅读

- 小心用模型锉刀锉平所有零件表面的注射浇口。
- 小心用刀片切下蚀刻片零件，不要遗失小零件。
- 用强力快干胶水粘合蚀刻片零件和金属轴。过量的快干胶水使用可能导致可动零件会粘住，小心涂胶。
- 取蚀刻片时应特别注意安全，防止利边划伤手指。
- 某些零件表面需贴水上贴纸，请选择在装配的同时进行。
- 推荐模型工具(自备)：胶水，水口剪刀，长咀钳，刀片，锉刀，镊子，钳，钻，剪刀，瞬间快干胶。
- 软布同砂纸同时也应该是必备工具。
- 请使用塑料胶水和油漆，模型内不含。



cyanoacrylate glue
使用强力胶



weight
配重



make hole
钻孔



cut / remove
切除



bend
弯曲



file / sand
锉平



option
选择



no cement
不涂胶水



decal
贴纸

水贴纸的使用:

1. 从水贴纸上剪下印花;
2. 将印花放入温水中浸10秒，然后放在干净布上。
3. 拿着印花纸板将印花移到模型上;
4. 手指蘸水将印花移到适当的位置;
5. 用软布轻压印花直至水干，气泡消失。

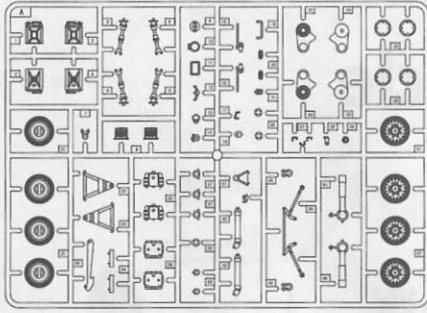
DECAL APPLICATION:

1. Cut decals from sheet as needed
2. Dip the decal in warm water for about 10 seconds and then place on soft clean cloth.
3. Hold the decal backing sheet edge and gently slide the decal onto the model in its proper position.

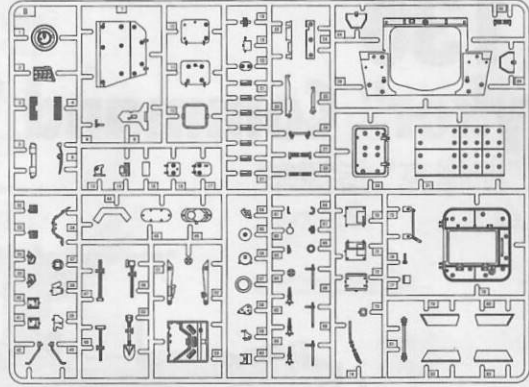
4. While still wet, decal can be adjusted for better fit on model by dampening it gently with your finger.
5. When placed in the proper position, gently press decal down with a soft cloth until excess water and air bubbles are gone.
6. Allow decal to dry completely before handling model

部品图
Parts

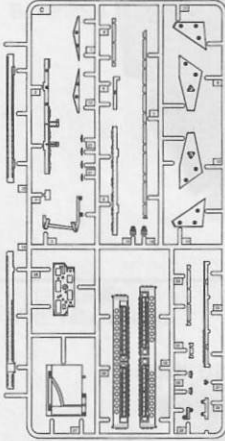
AX2



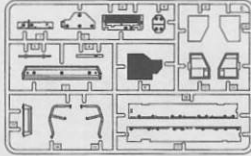
B



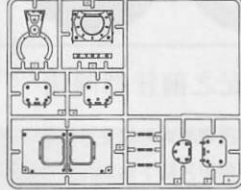
C



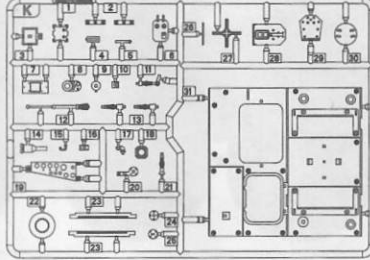
E



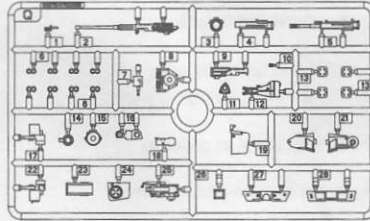
D



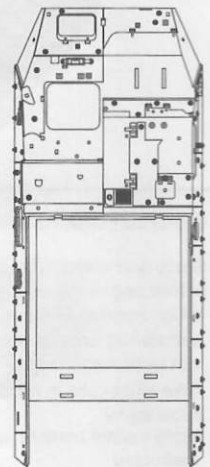
K



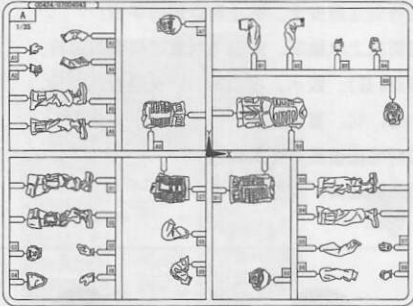
Q



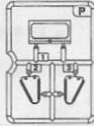
《车面》
Upper hull



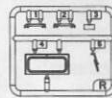
Figures (A)



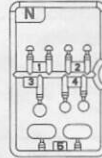
P



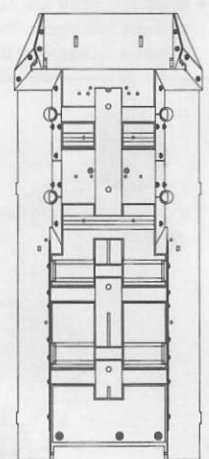
R



N



《车底》
Lower hull

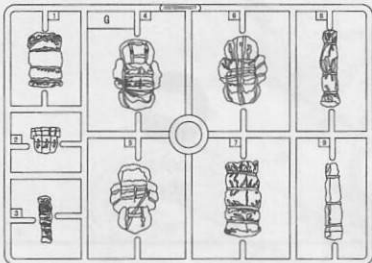


装备随个人喜好选择安装
Attach the military Stowages as you like

《捆扎带》
Strapping



Gx2



《食品箱》
MRE ration packs



《水贴纸》
Decal



《轮胎》
Tyre

----- X8



《饮料箱》
Beverages boxes



《饮用水箱》
Water cases



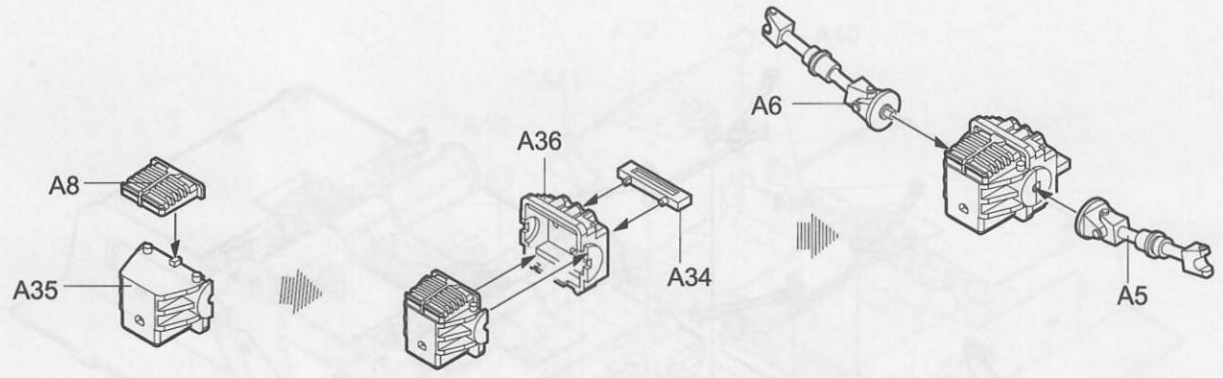
《遮盖纸》
Mask



《蚀刻片》
Photo Etched Parts(PE)



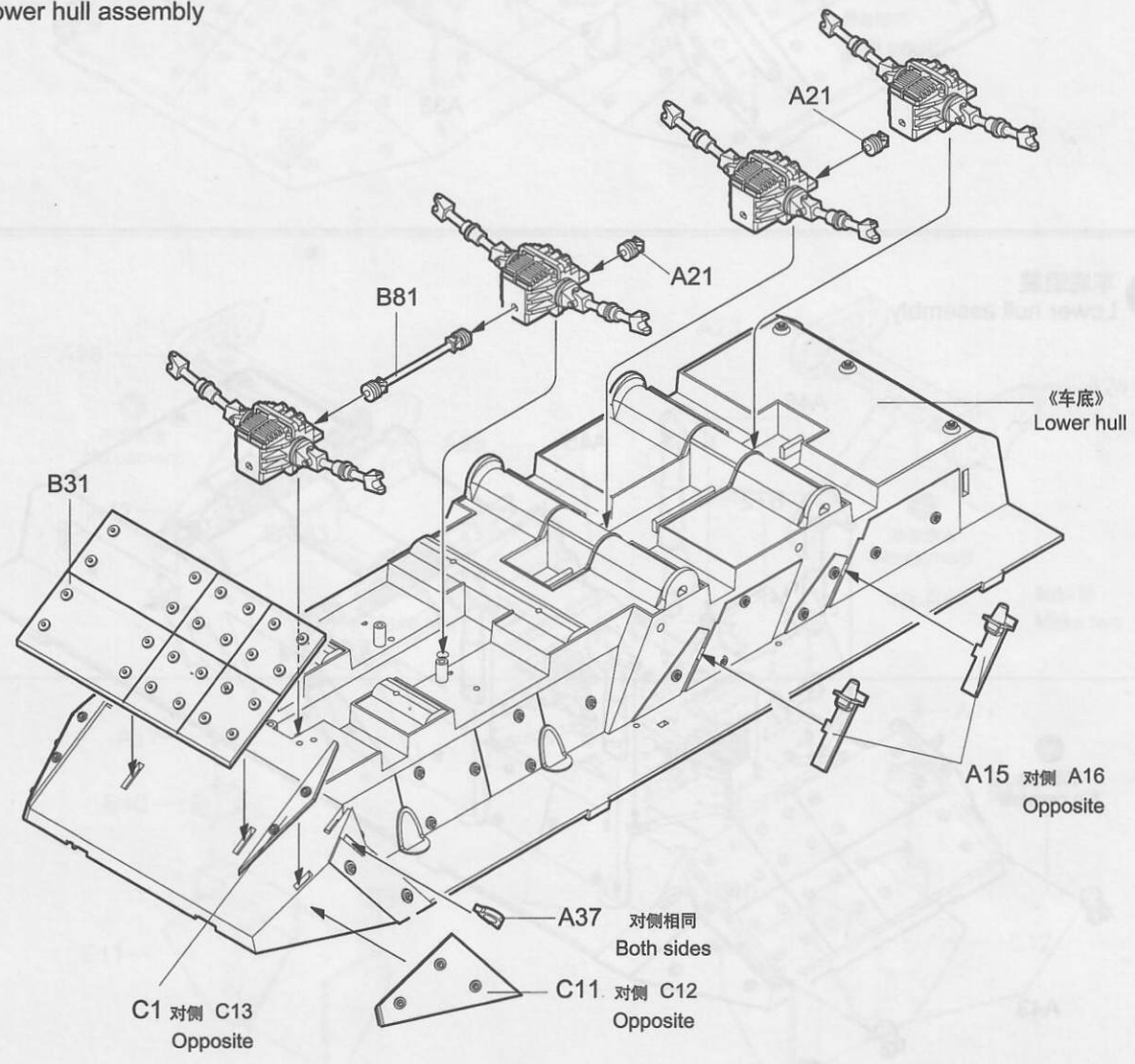
1



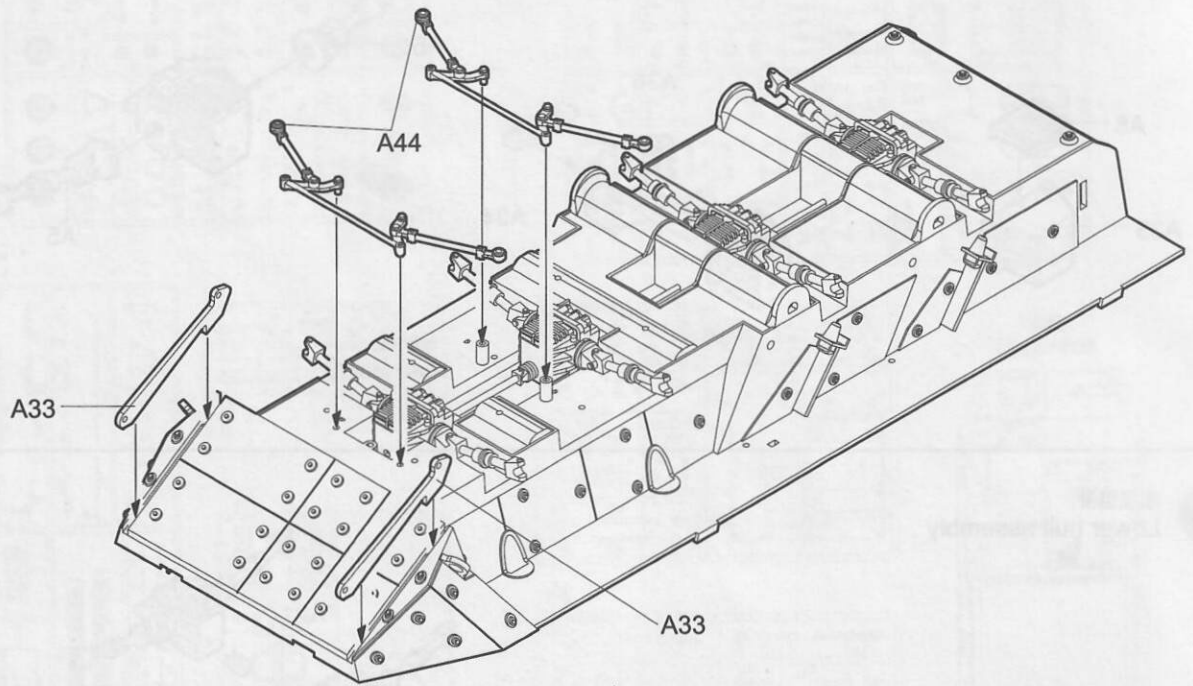
制作4组
Make four

2

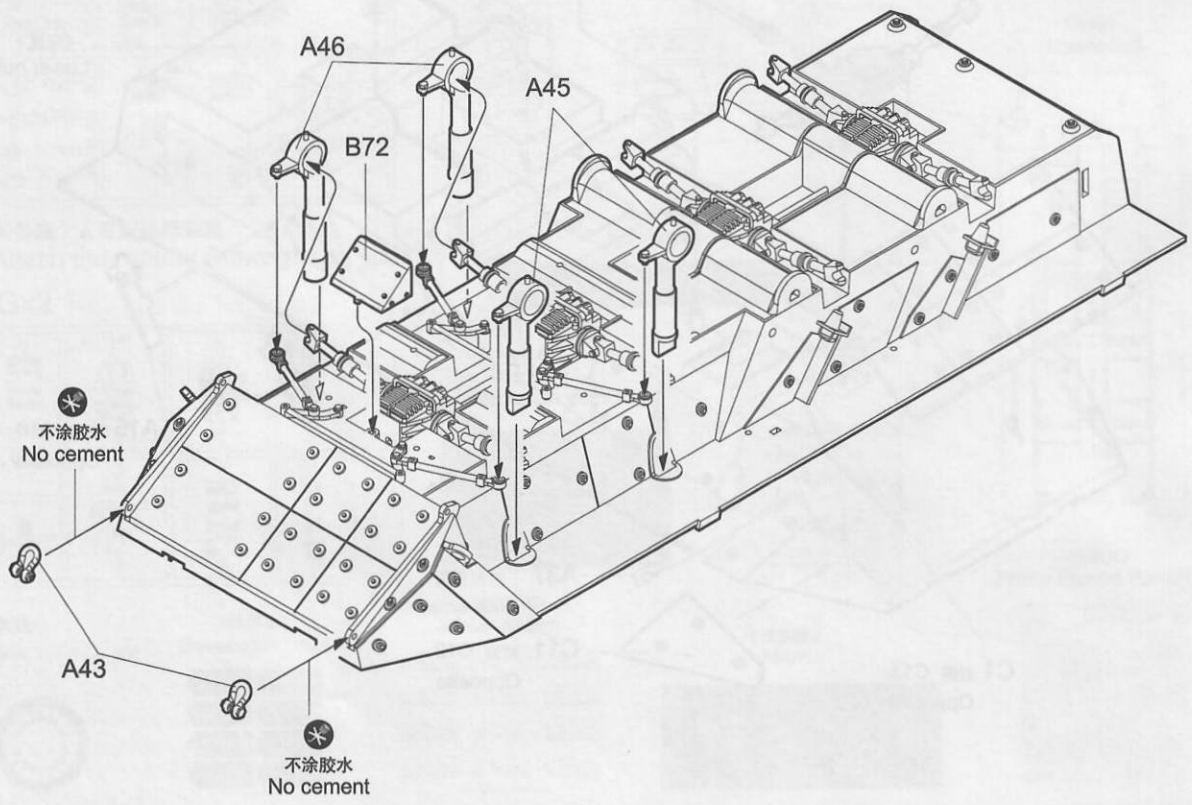
车底组装
Lower hull assembly



3 车底组装
Lower hull assembly

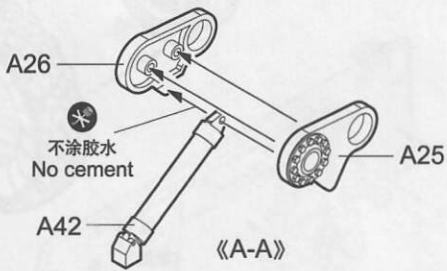
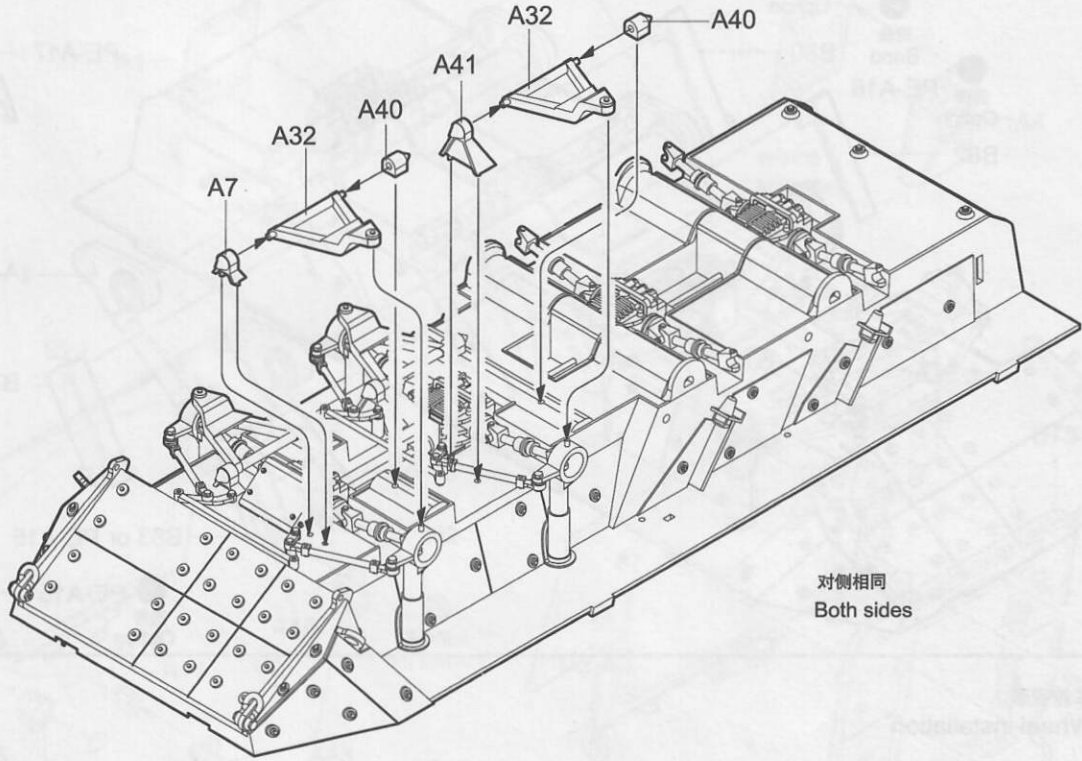


4 车底组装
Lower hull assembly

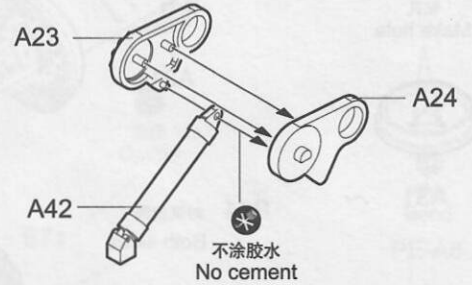


5

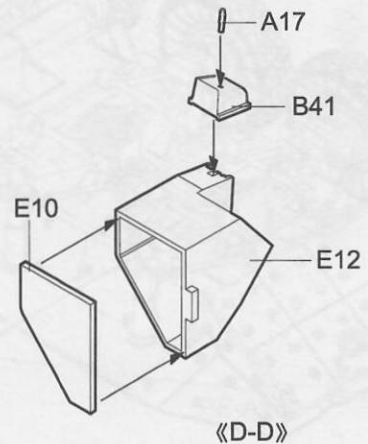
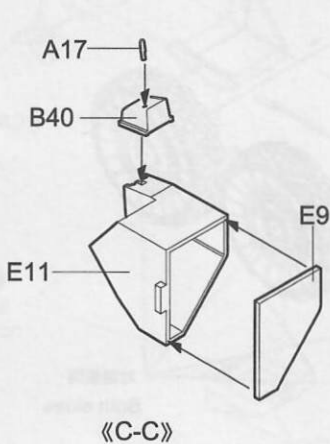
车底组装
Lower hull assembly



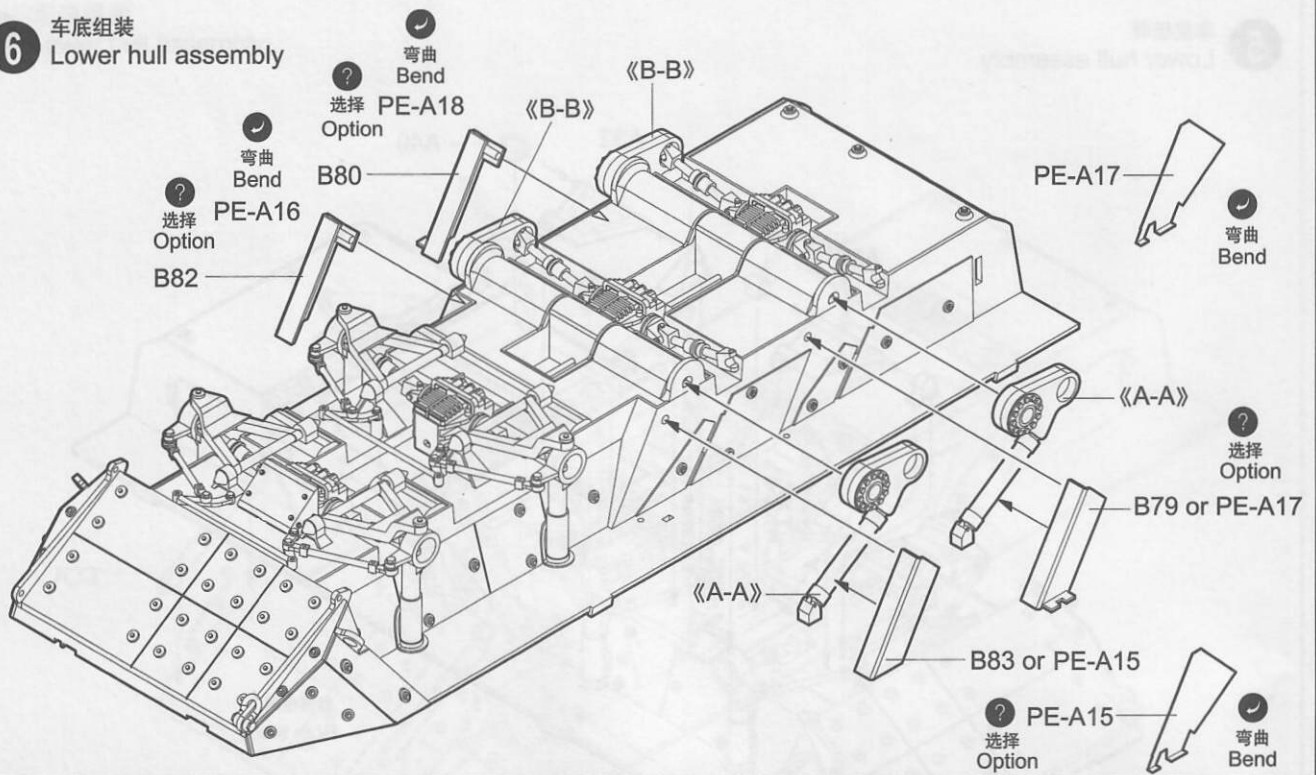
制作2组
Make two



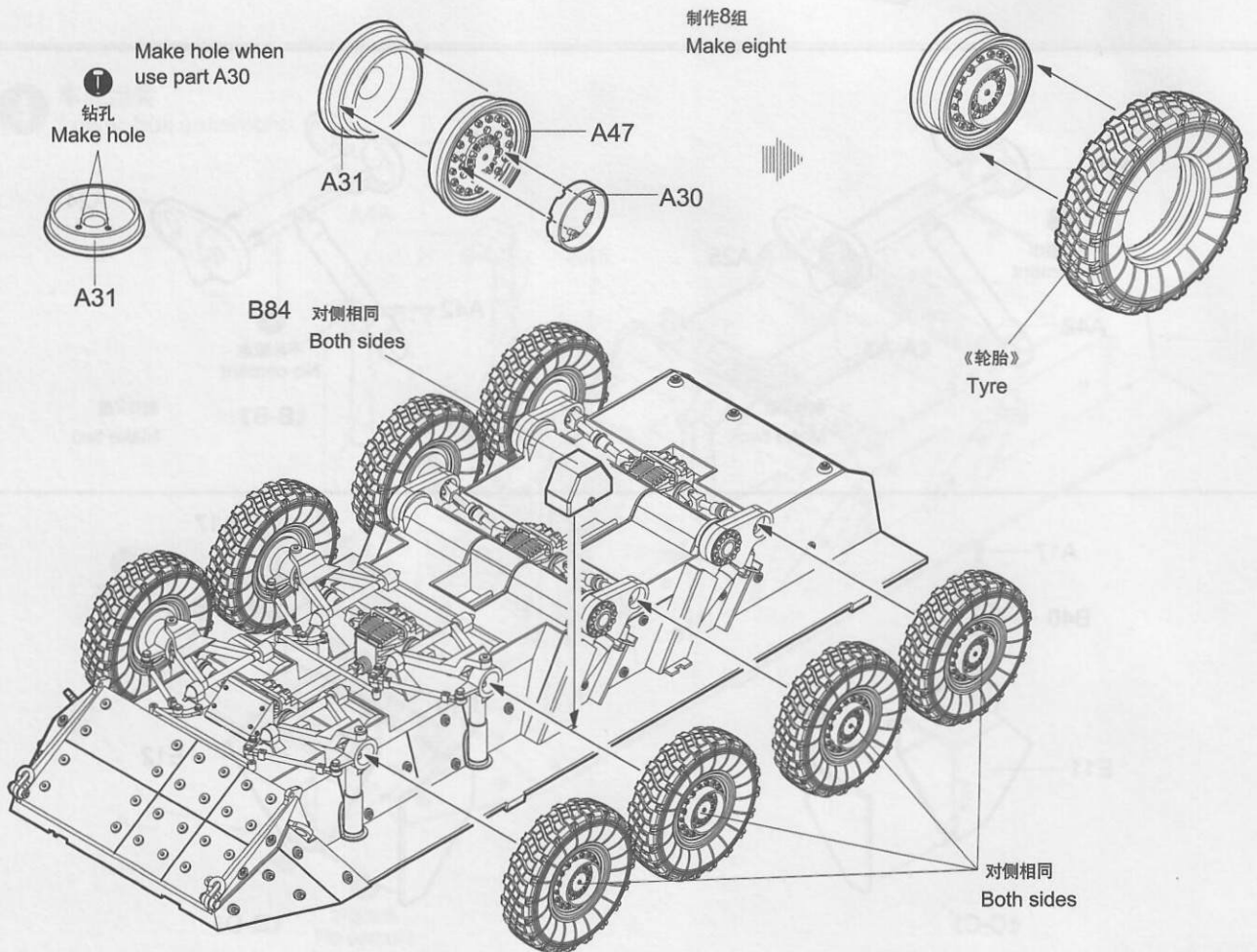
制作2组
Make two



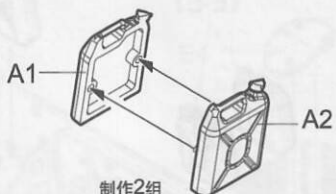
6 车底组装
Lower hull assembly



7 车轮安装
Wheel installation

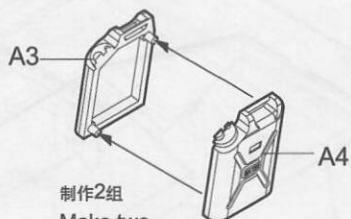


《E-E》

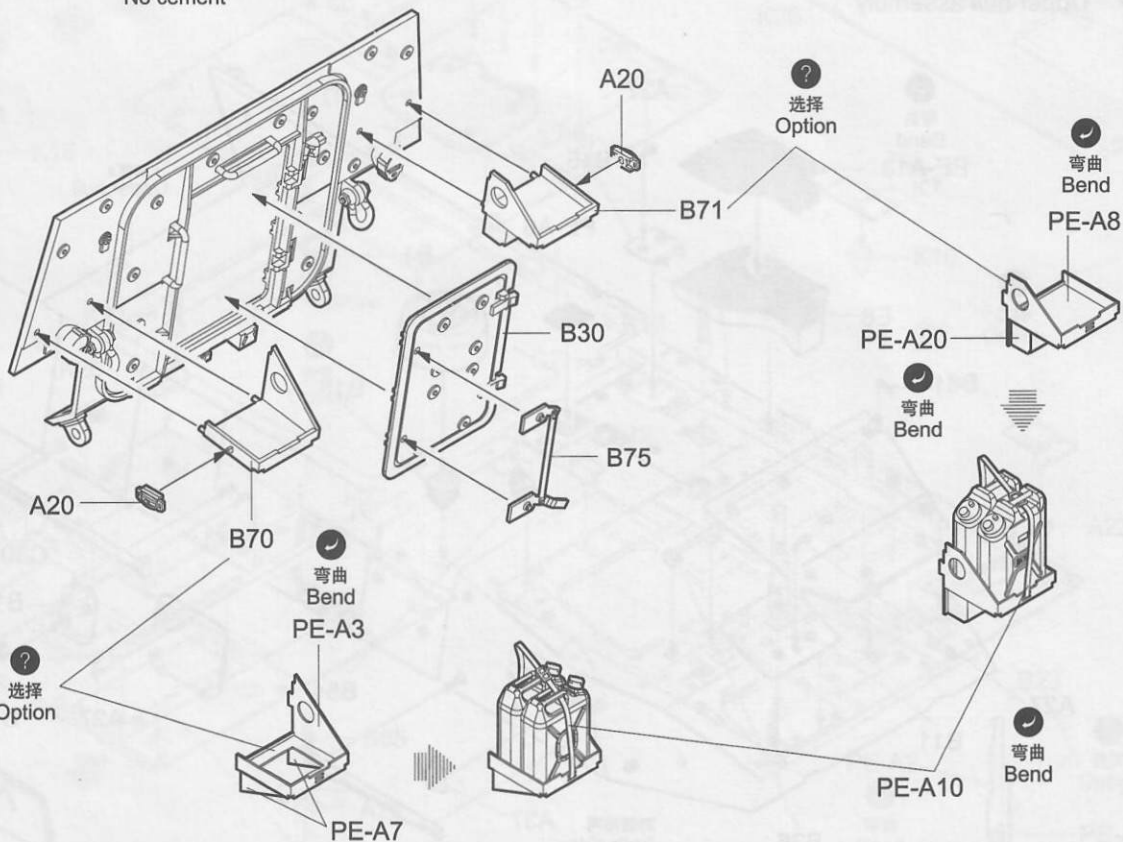
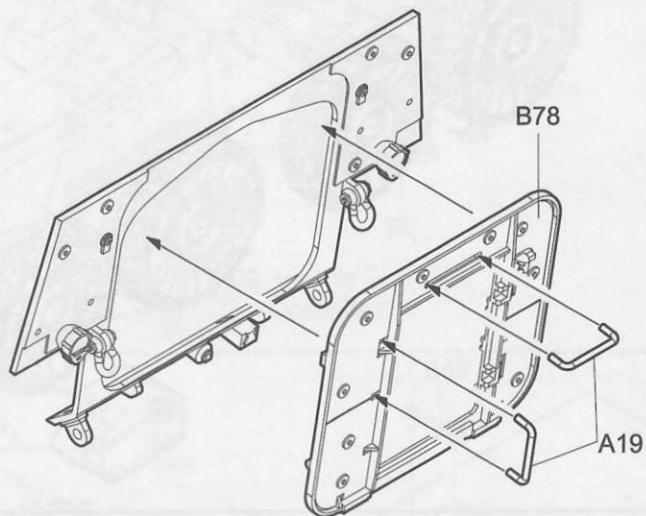
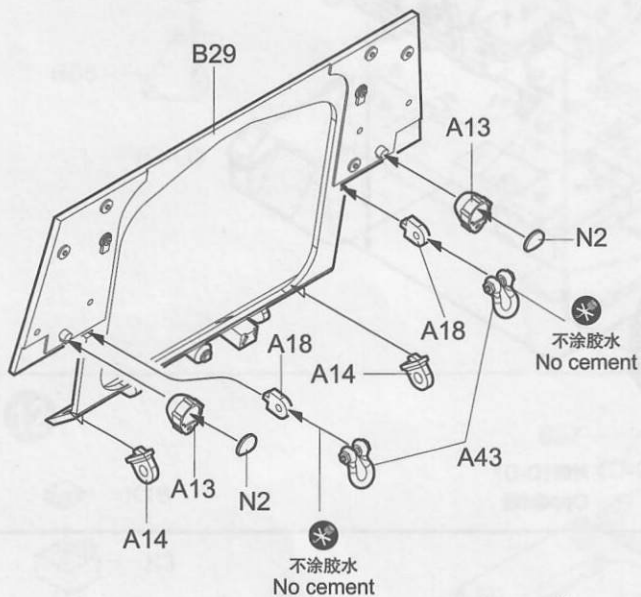


制作2组
Make two

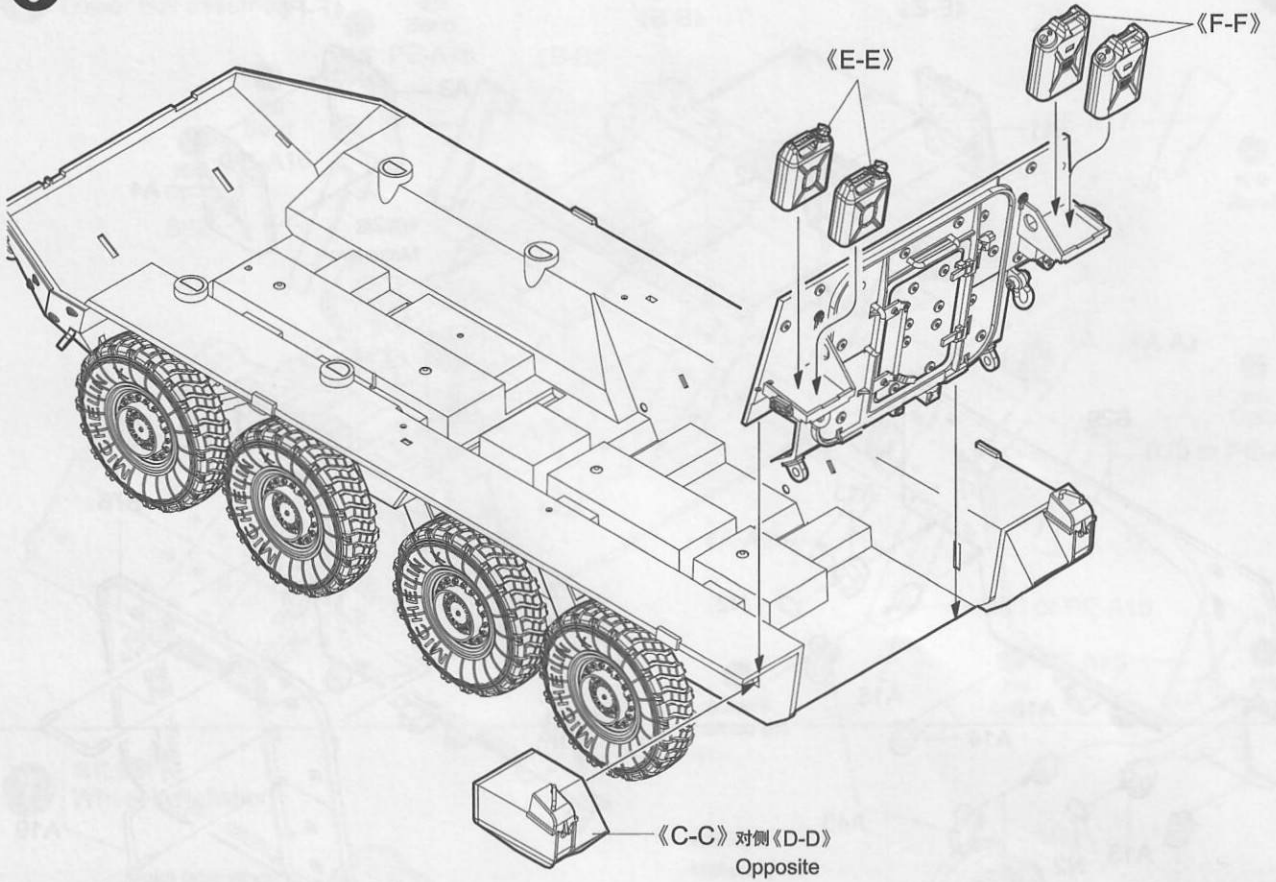
《F-F》



制作2组
Make two

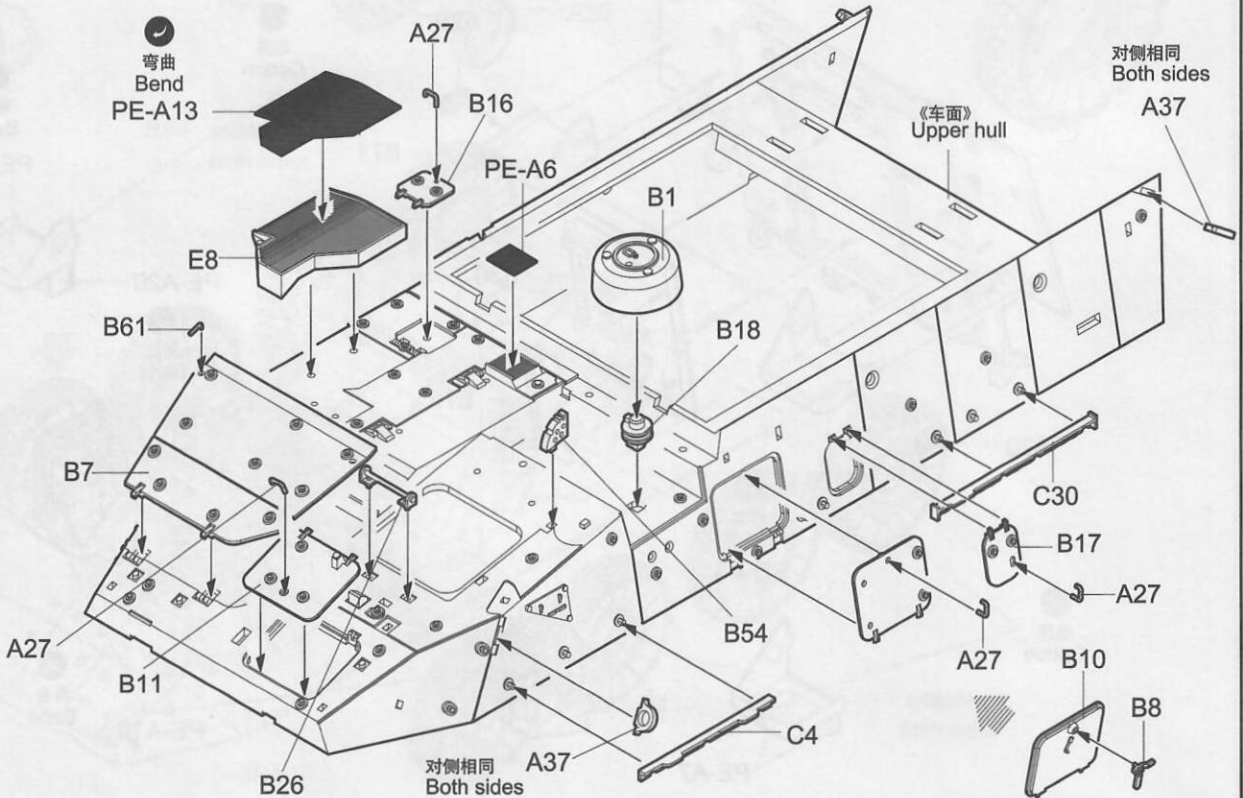


9

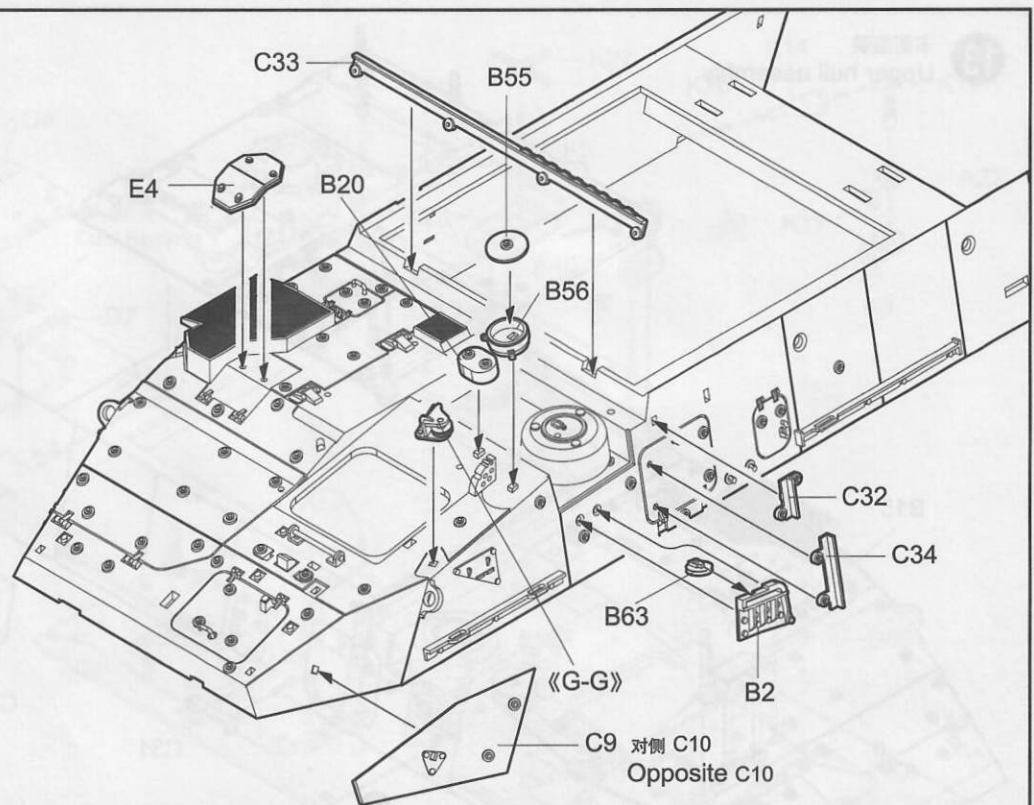
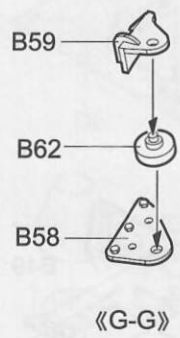


10

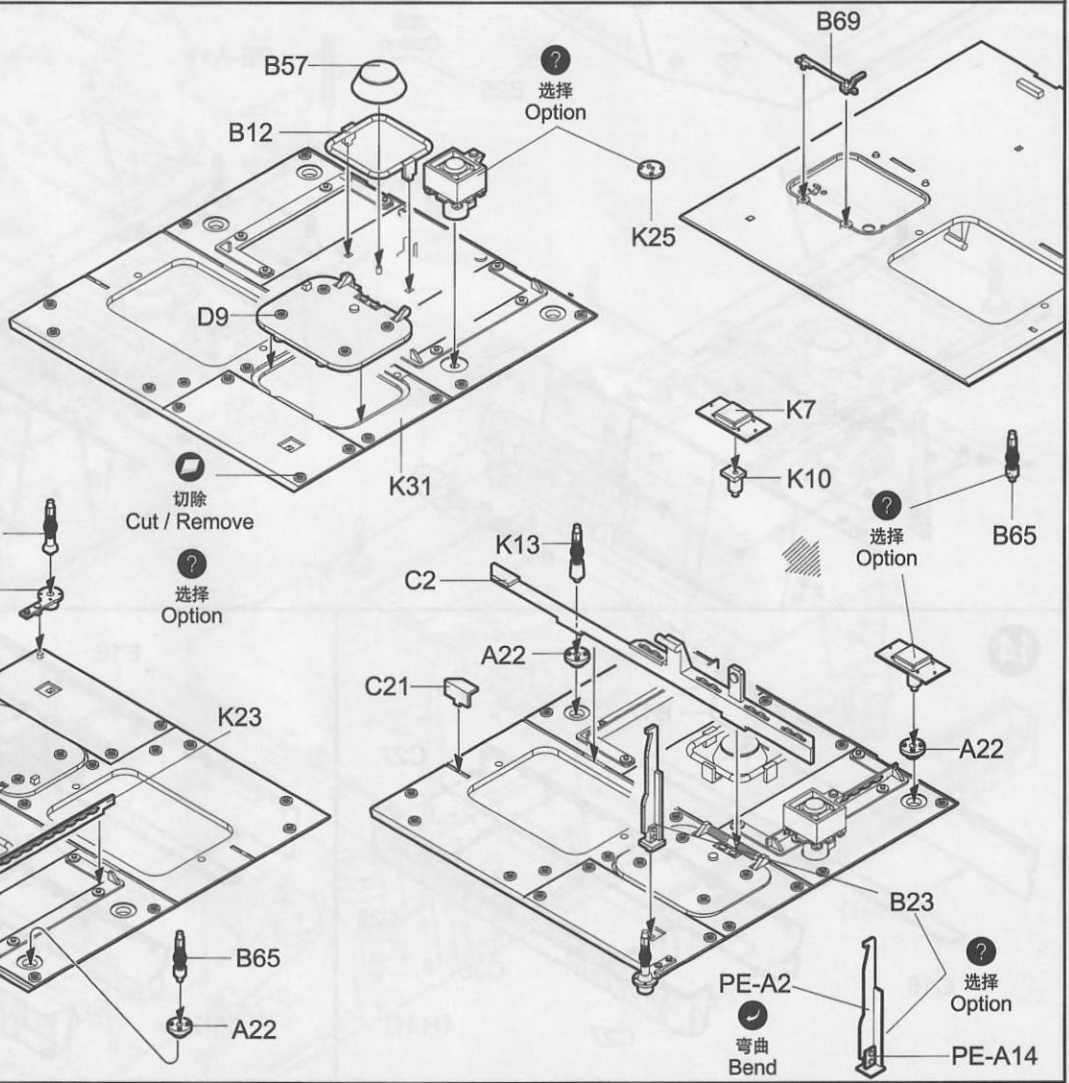
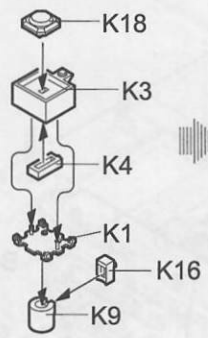
车面组装
Upper hull assembly



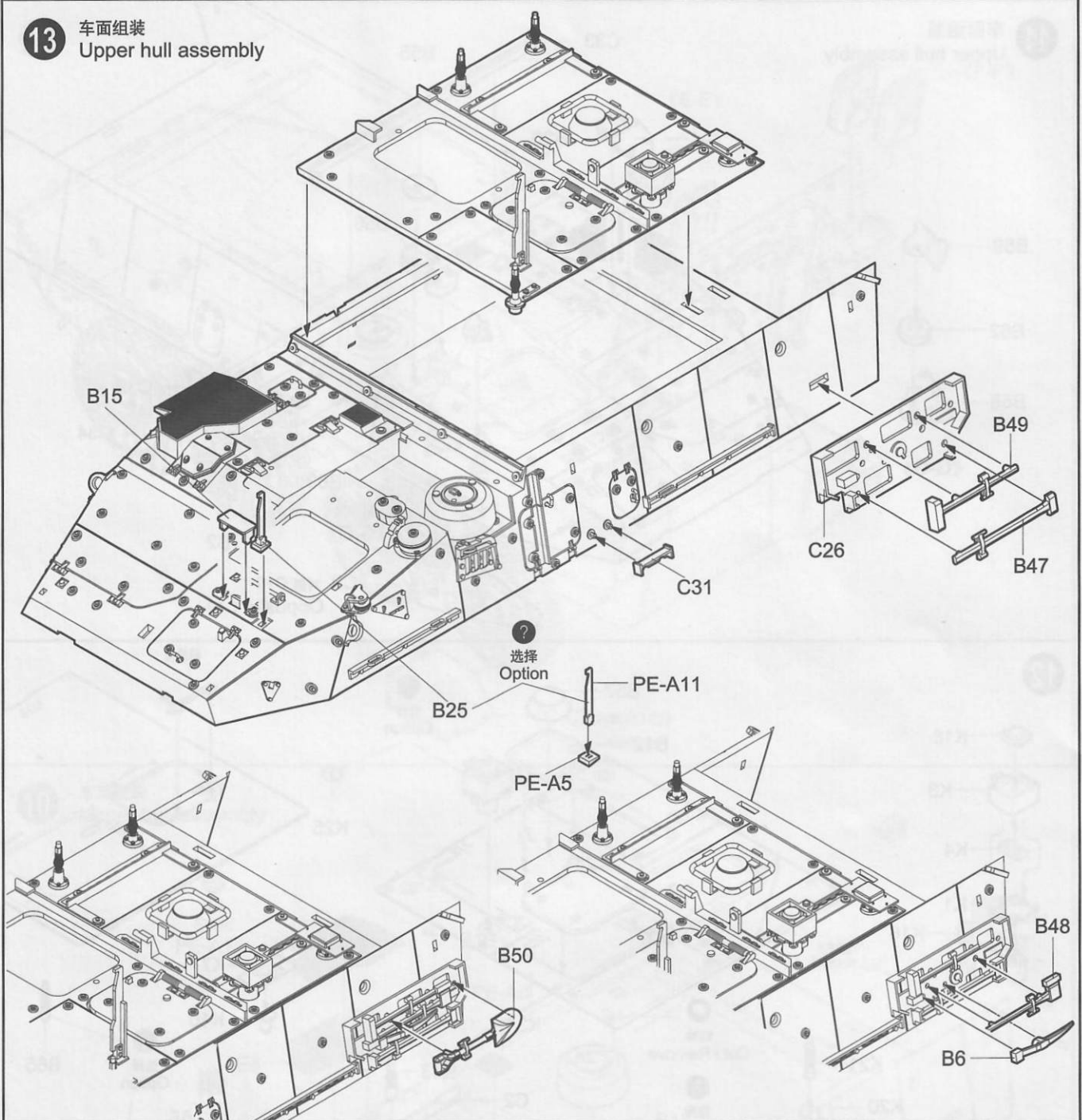
11 车面组装
Upper hull assembly



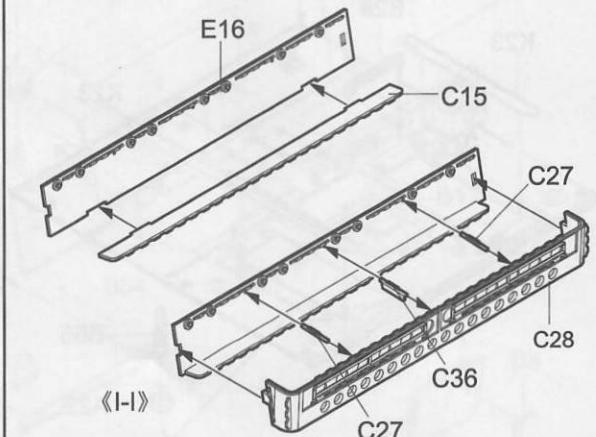
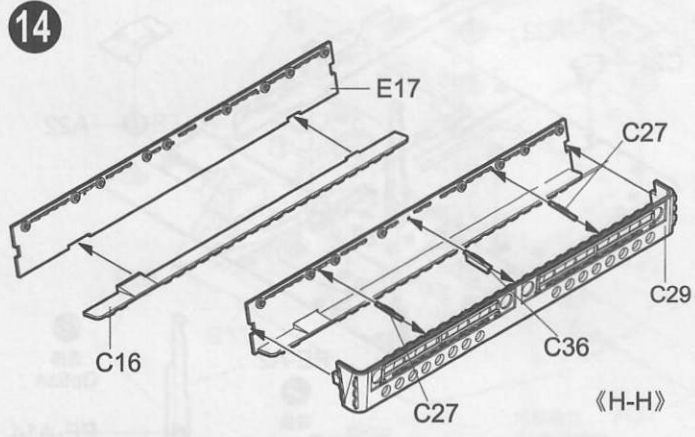
12



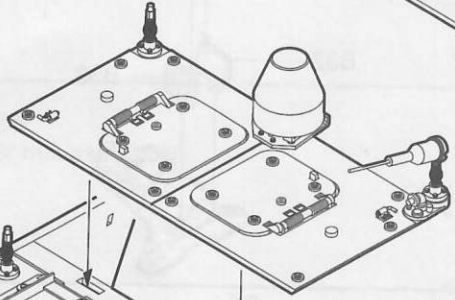
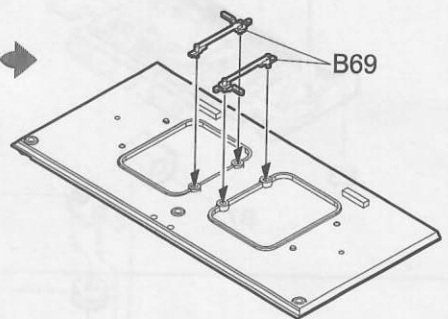
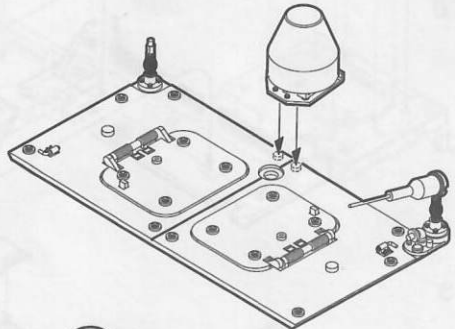
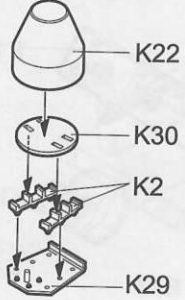
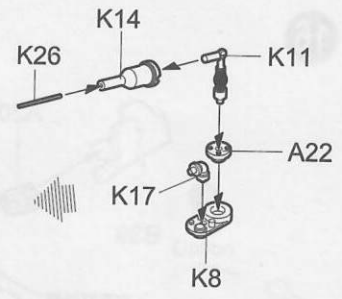
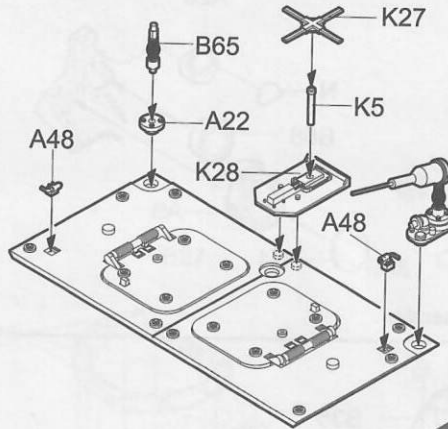
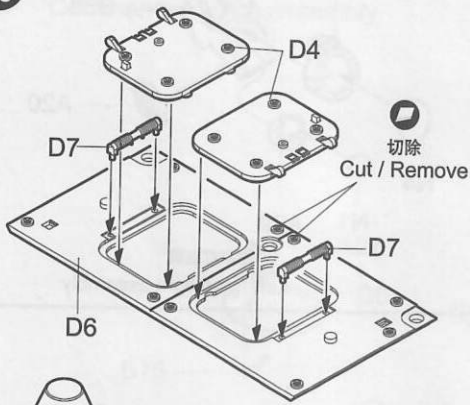
13 车面组装
Upper hull assembly



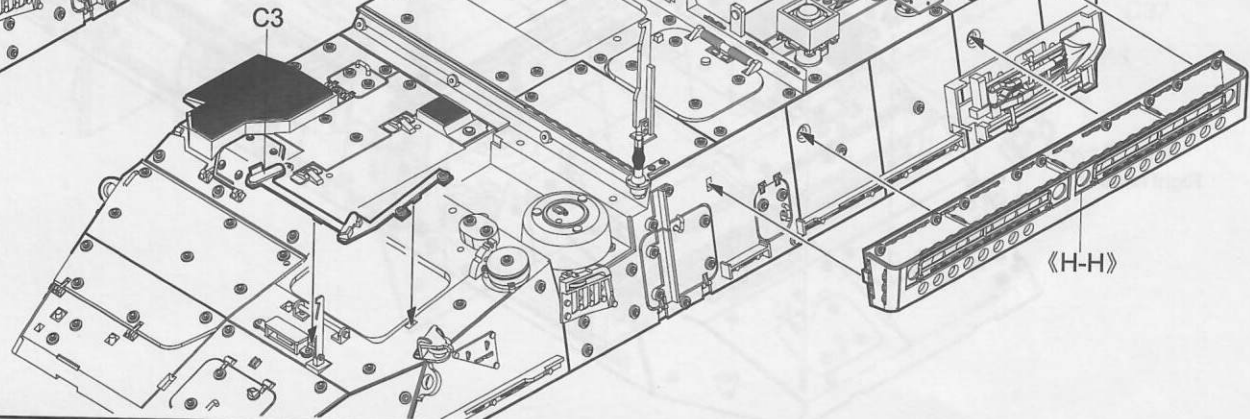
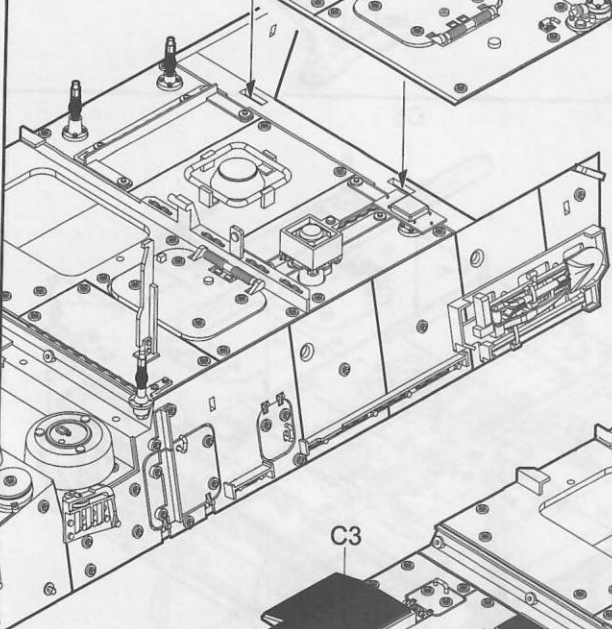
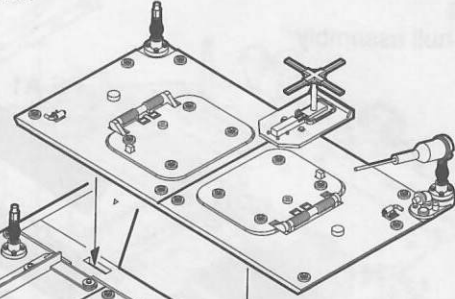
14



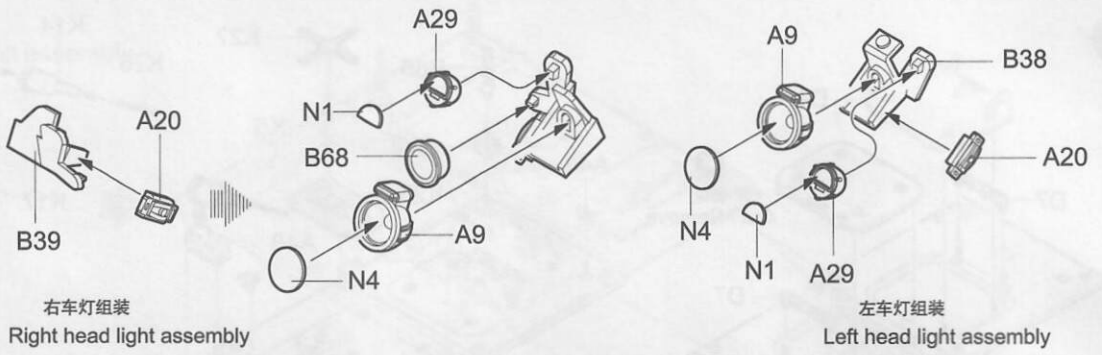
15



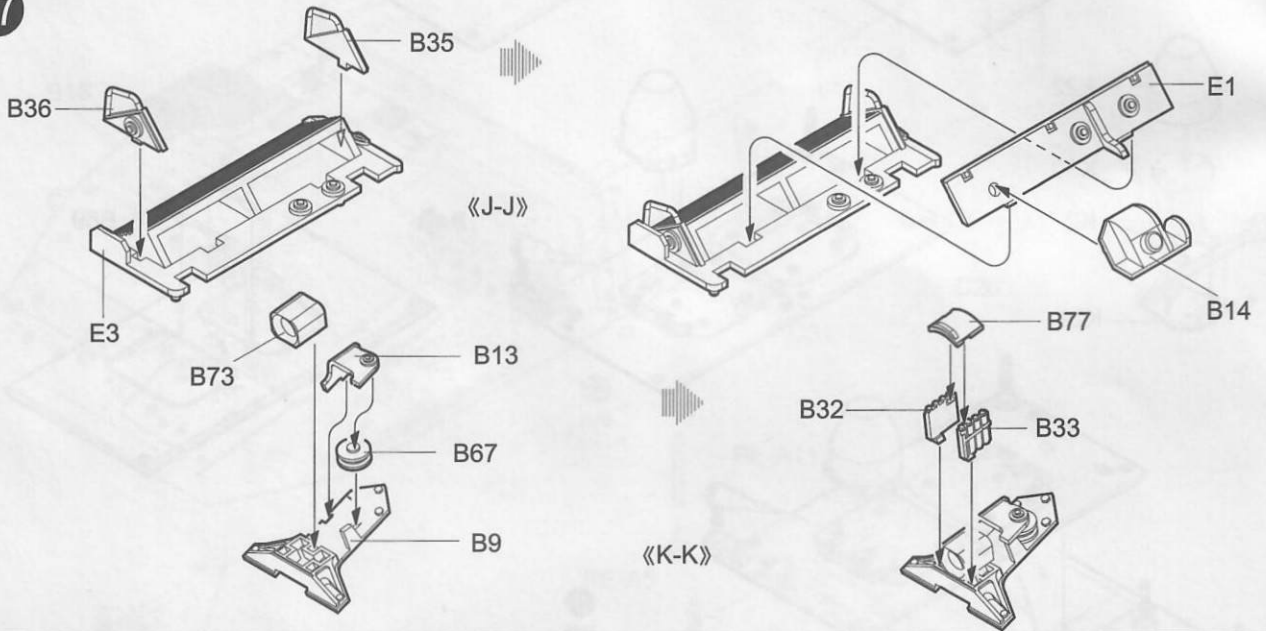
选择
Option



16

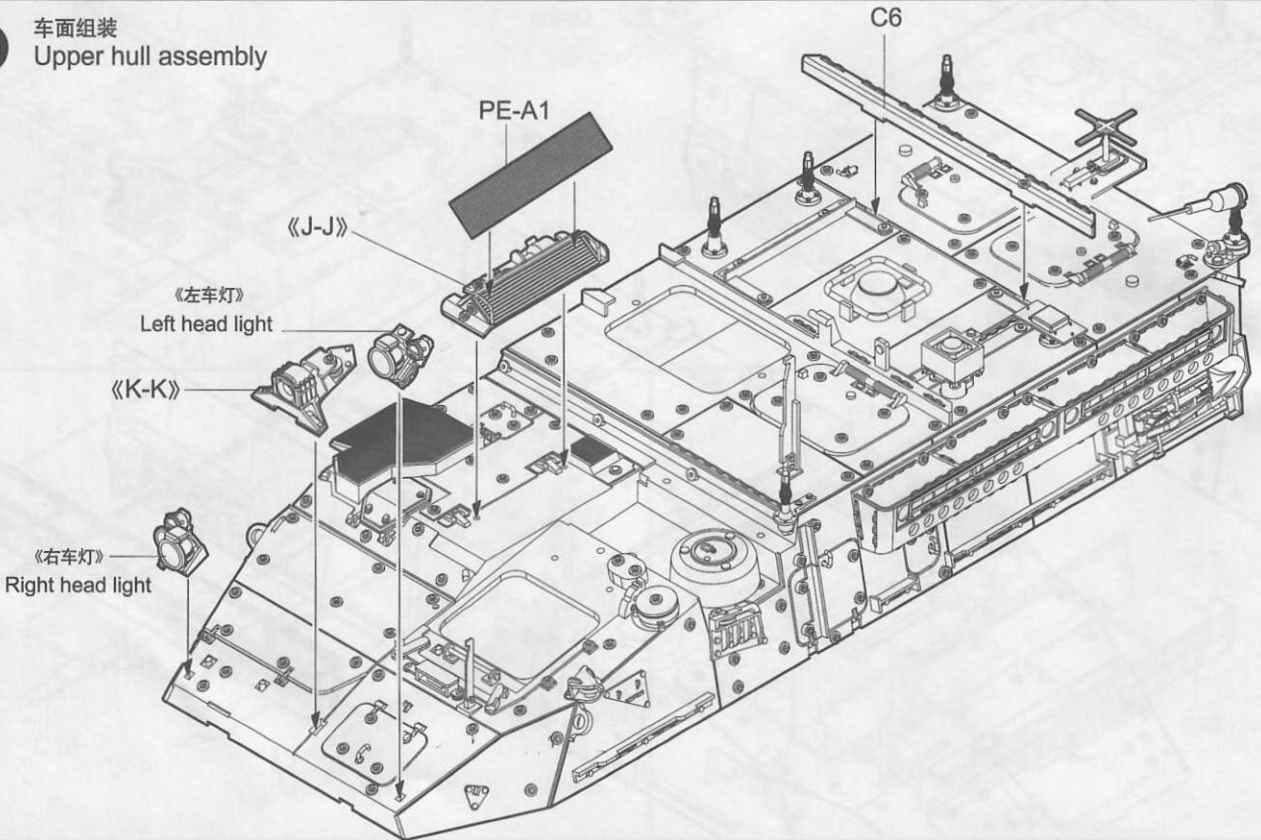


17

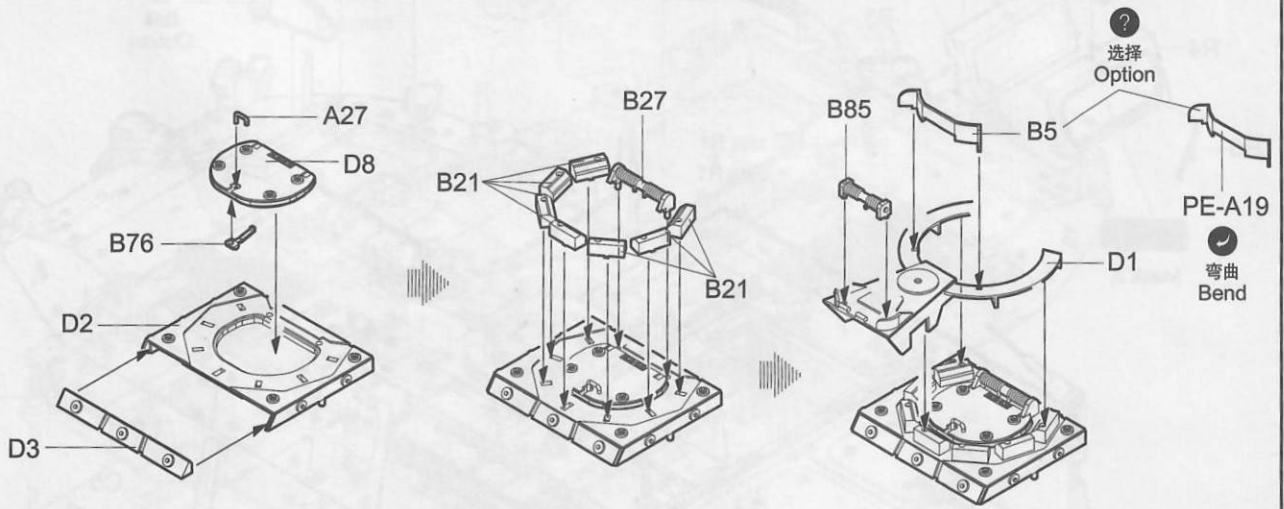


18

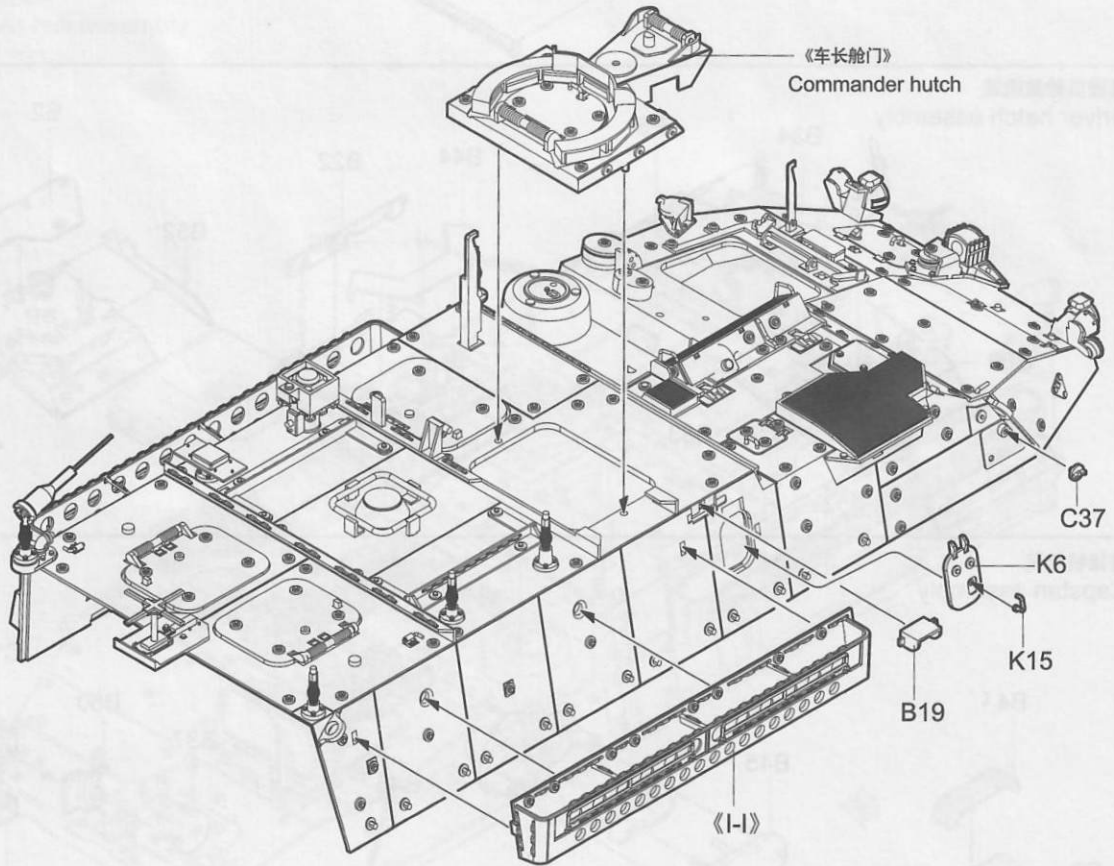
车面组装
Upper hull assembly



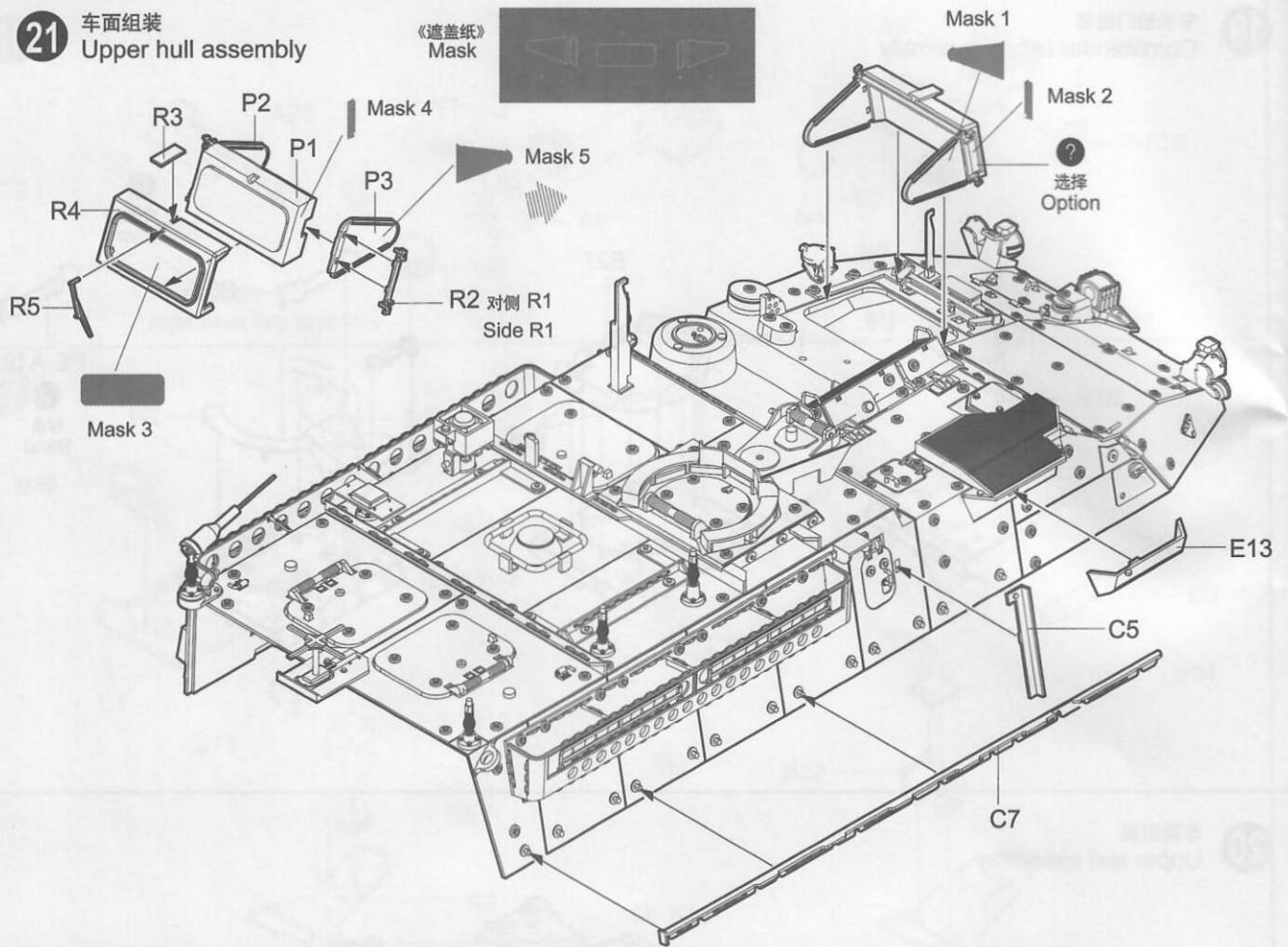
19 车长舱门组装
Commander hatch assembly



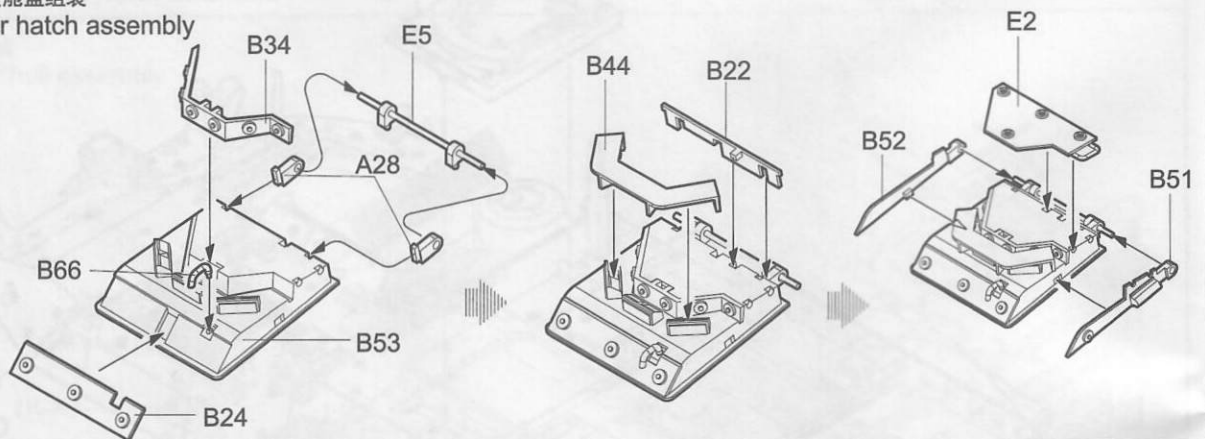
20 车面组装
Upper hull assembly



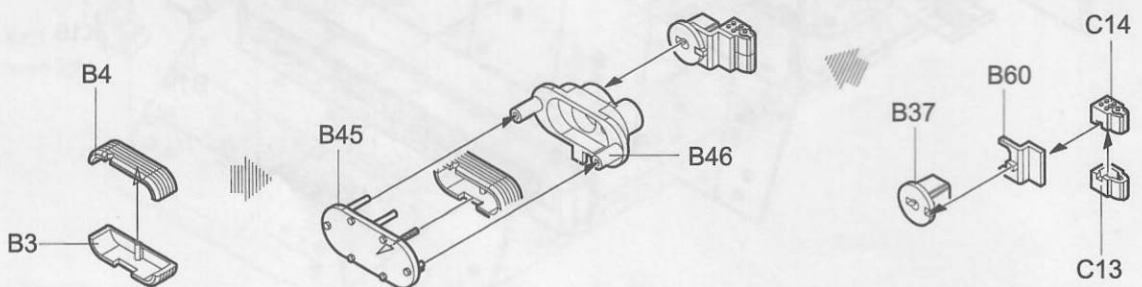
21 车面组装
Upper hull assembly



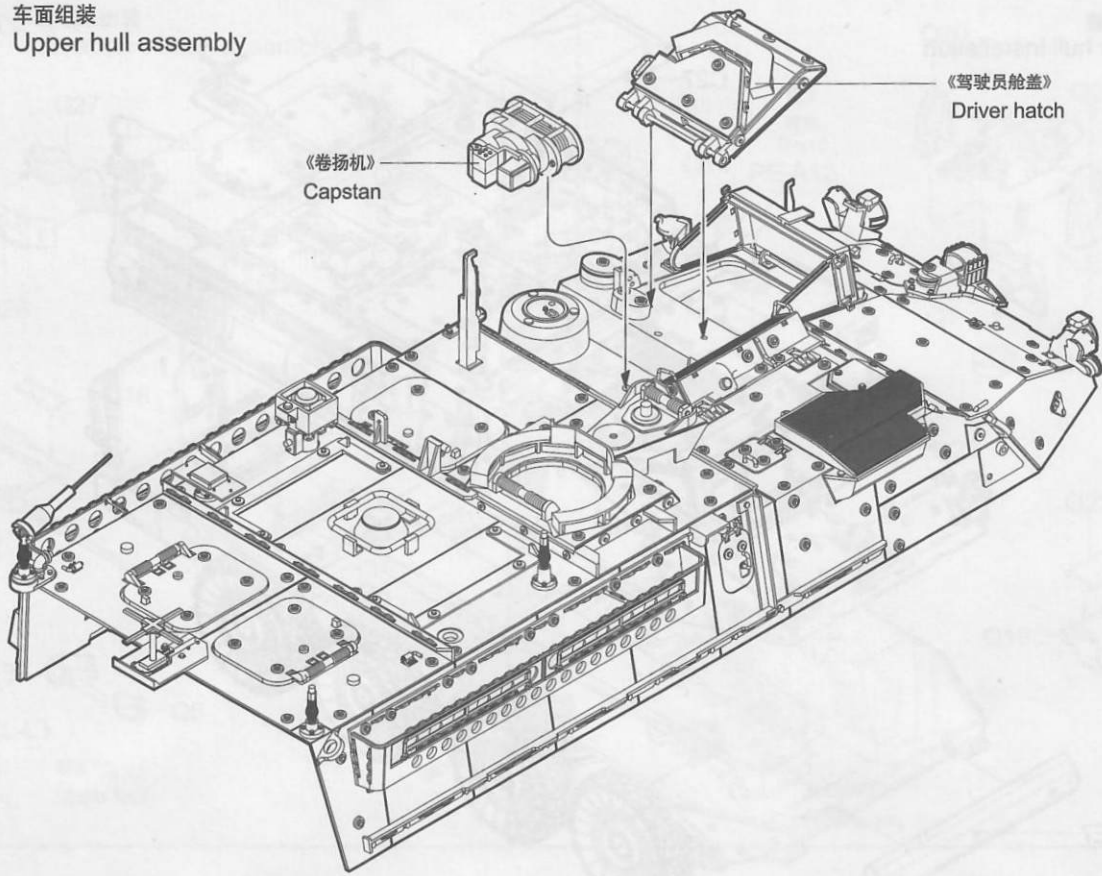
22 驾驶员舱盖组装
Driver hatch assembly



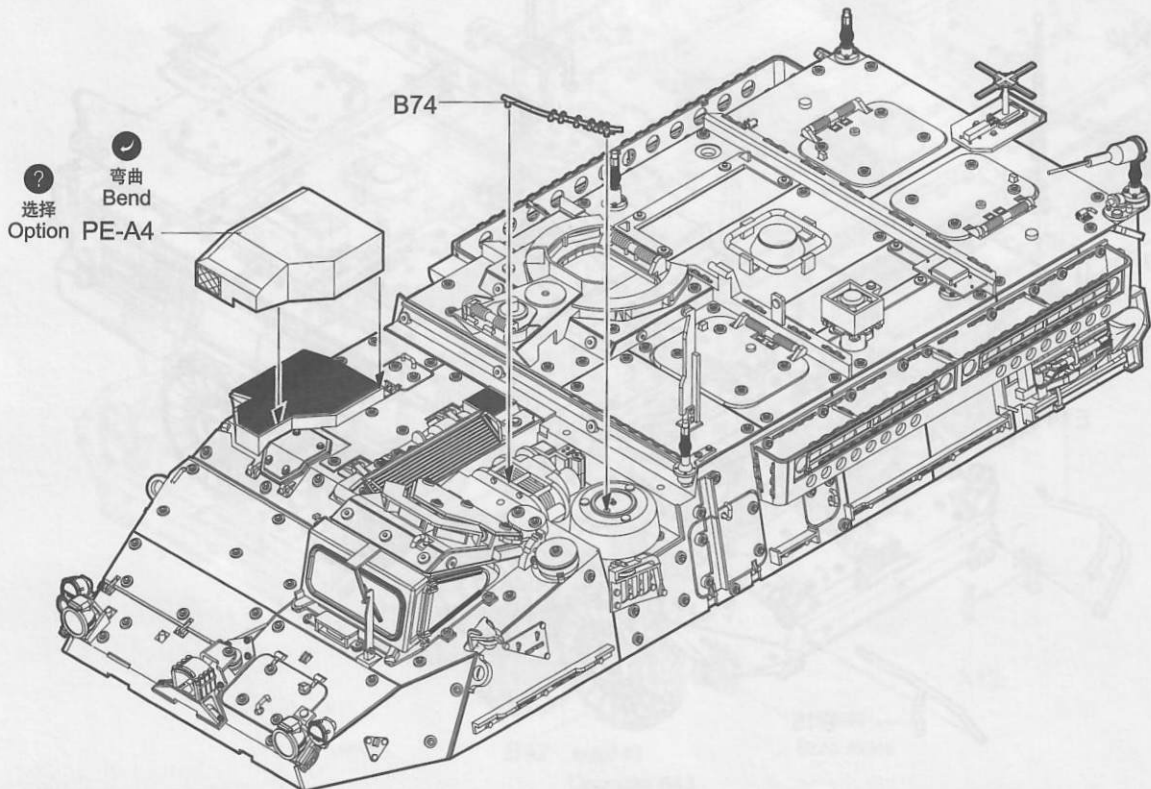
23 卷扬机组装
Capstan assembly



24 车面组装
Upper hull assembly

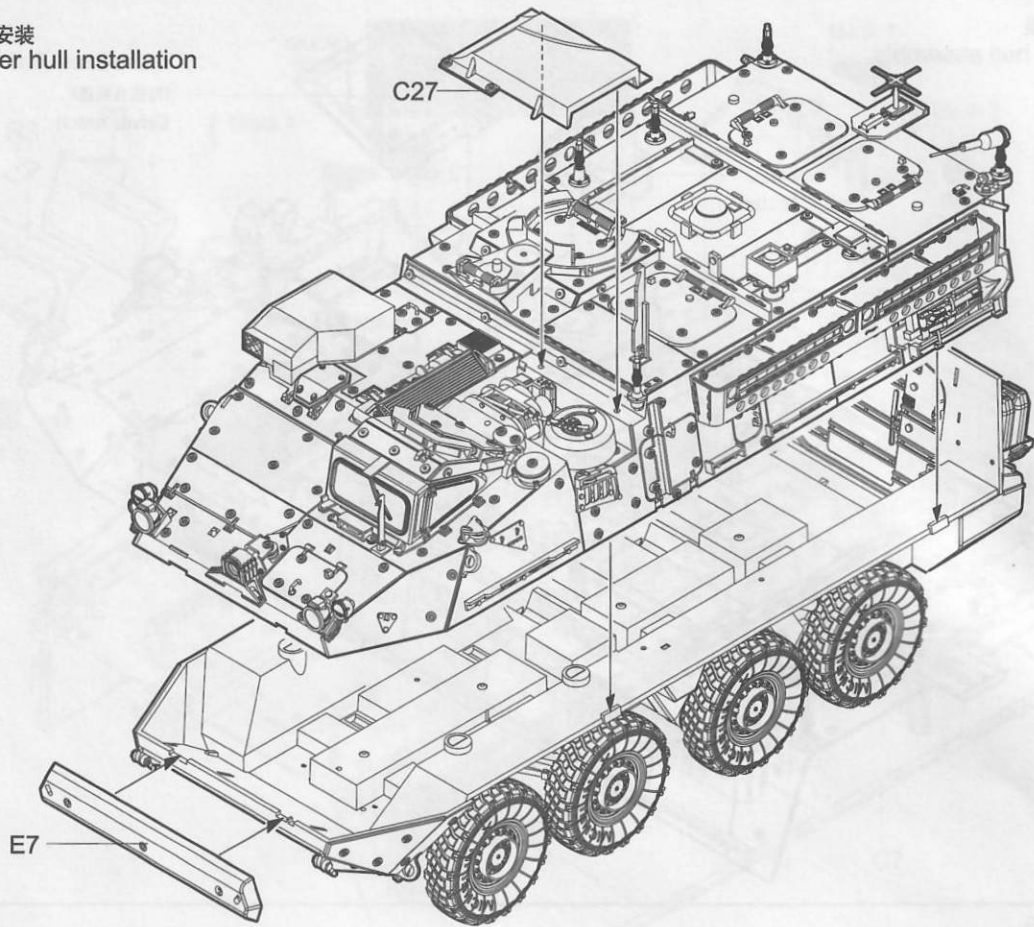


25 车面组装
Upper hull assembly



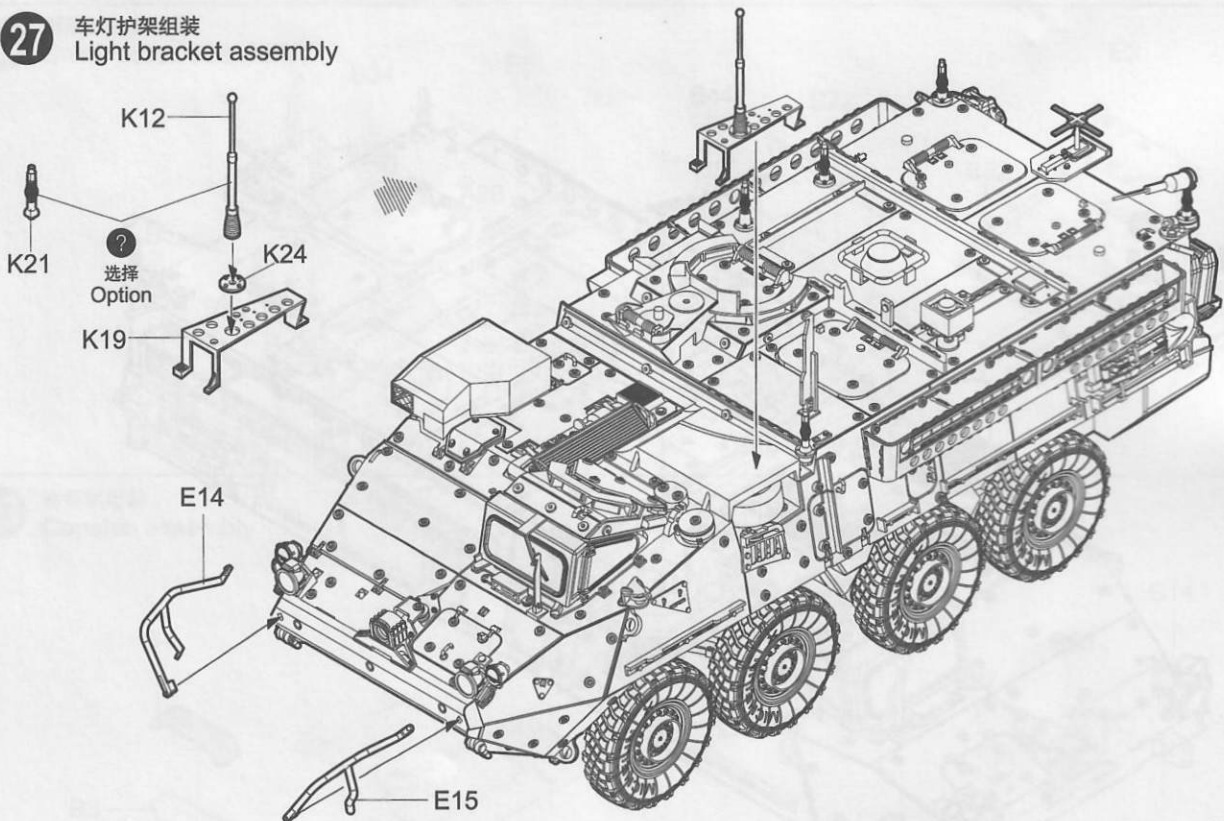
26

车面安装
Upper hull installation



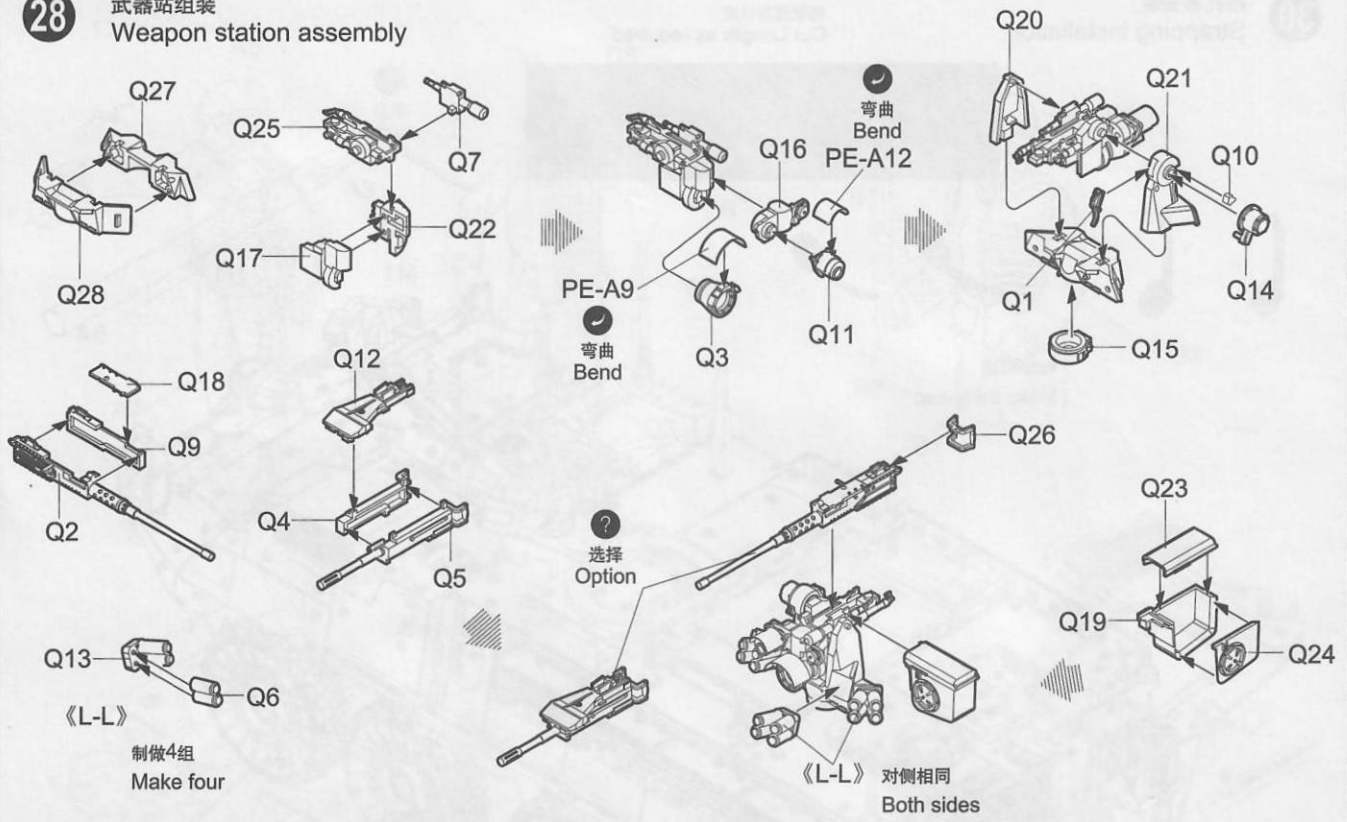
27

车灯护架组装
Light bracket assembly

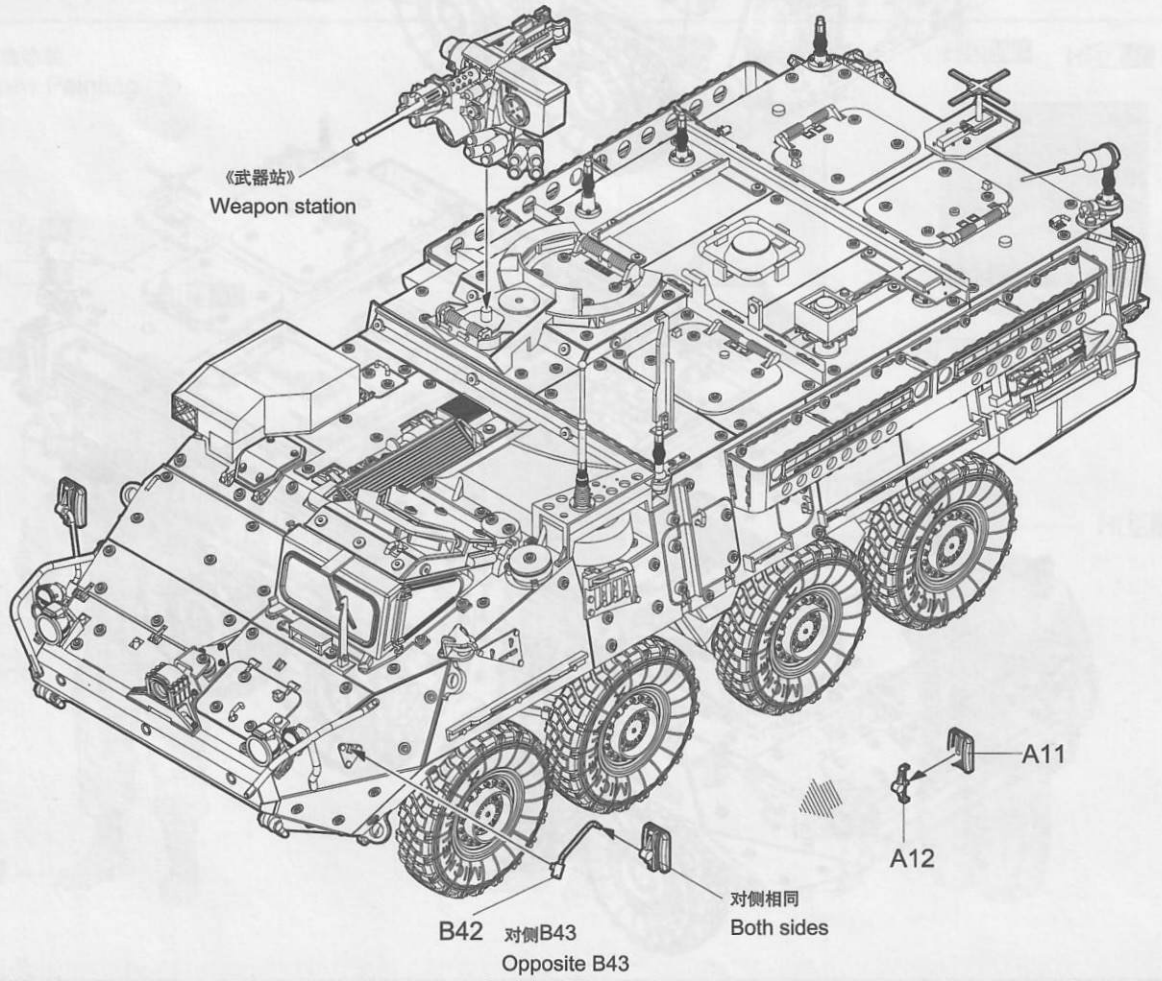


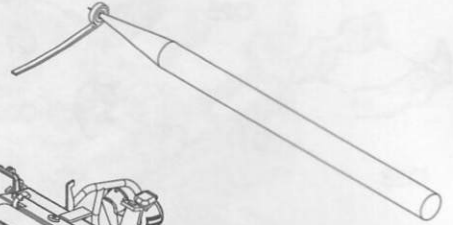
28

武器站组装
Weapon station assembly

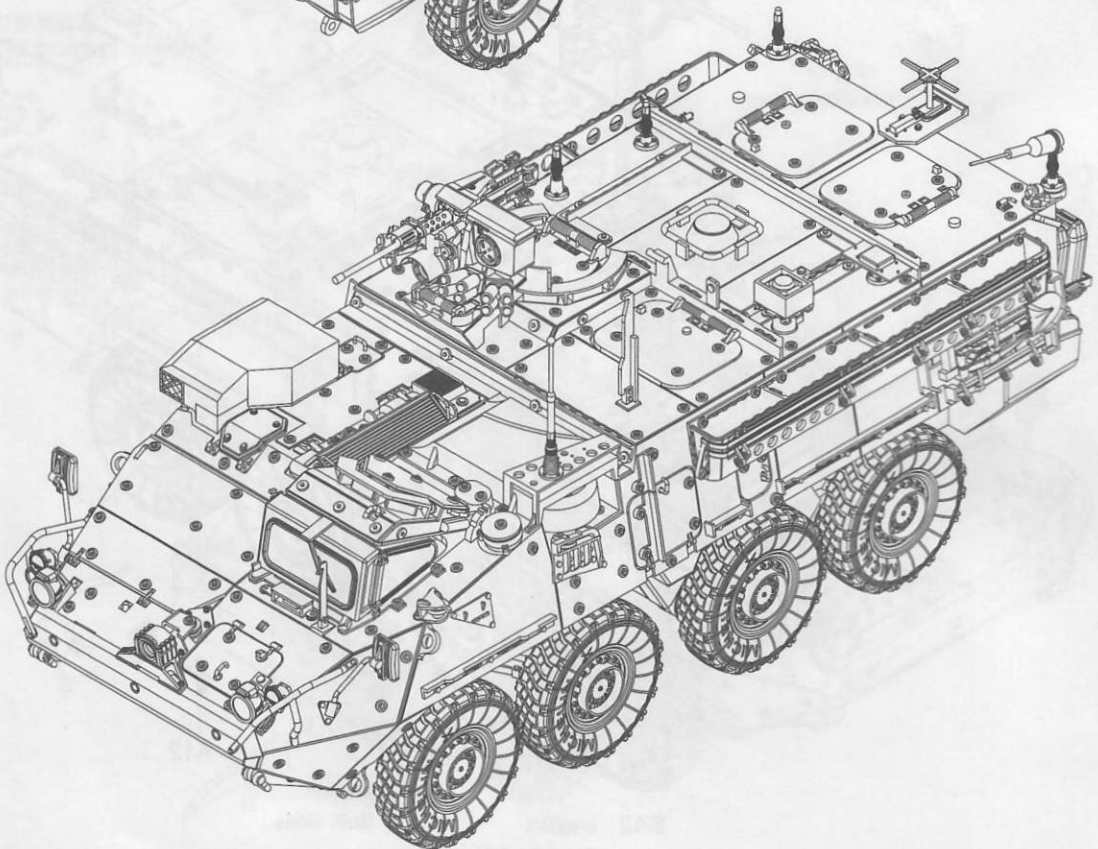
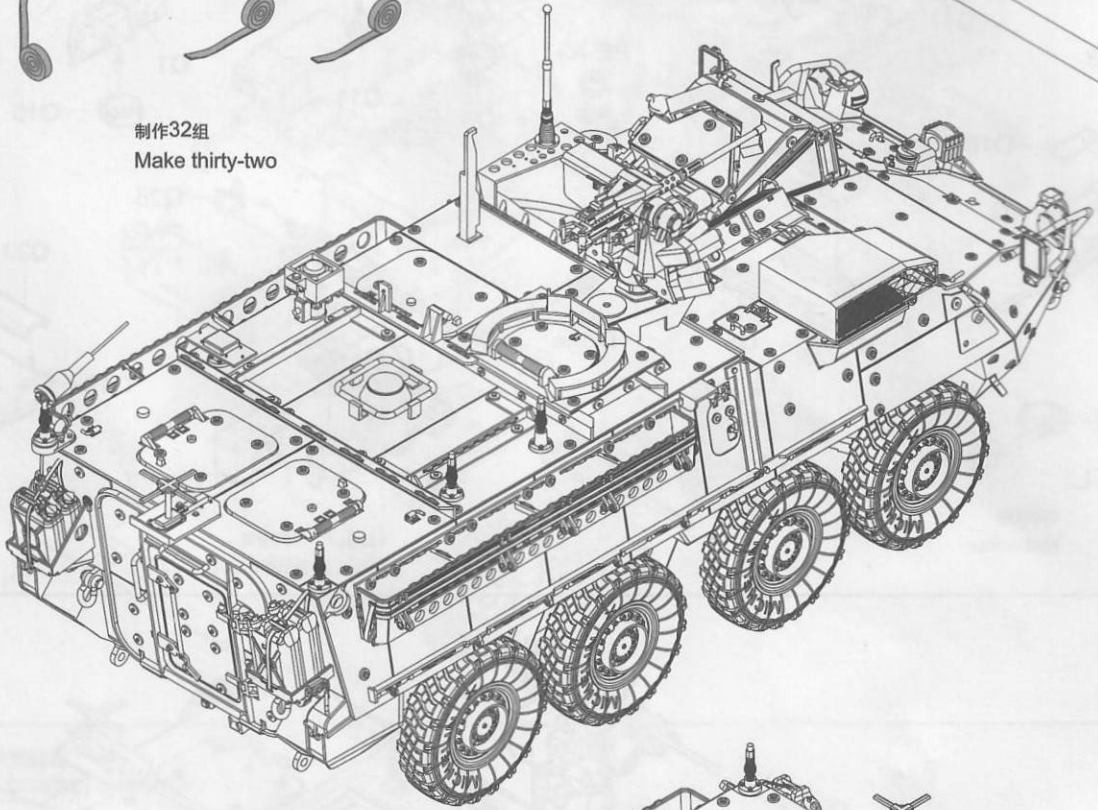


29

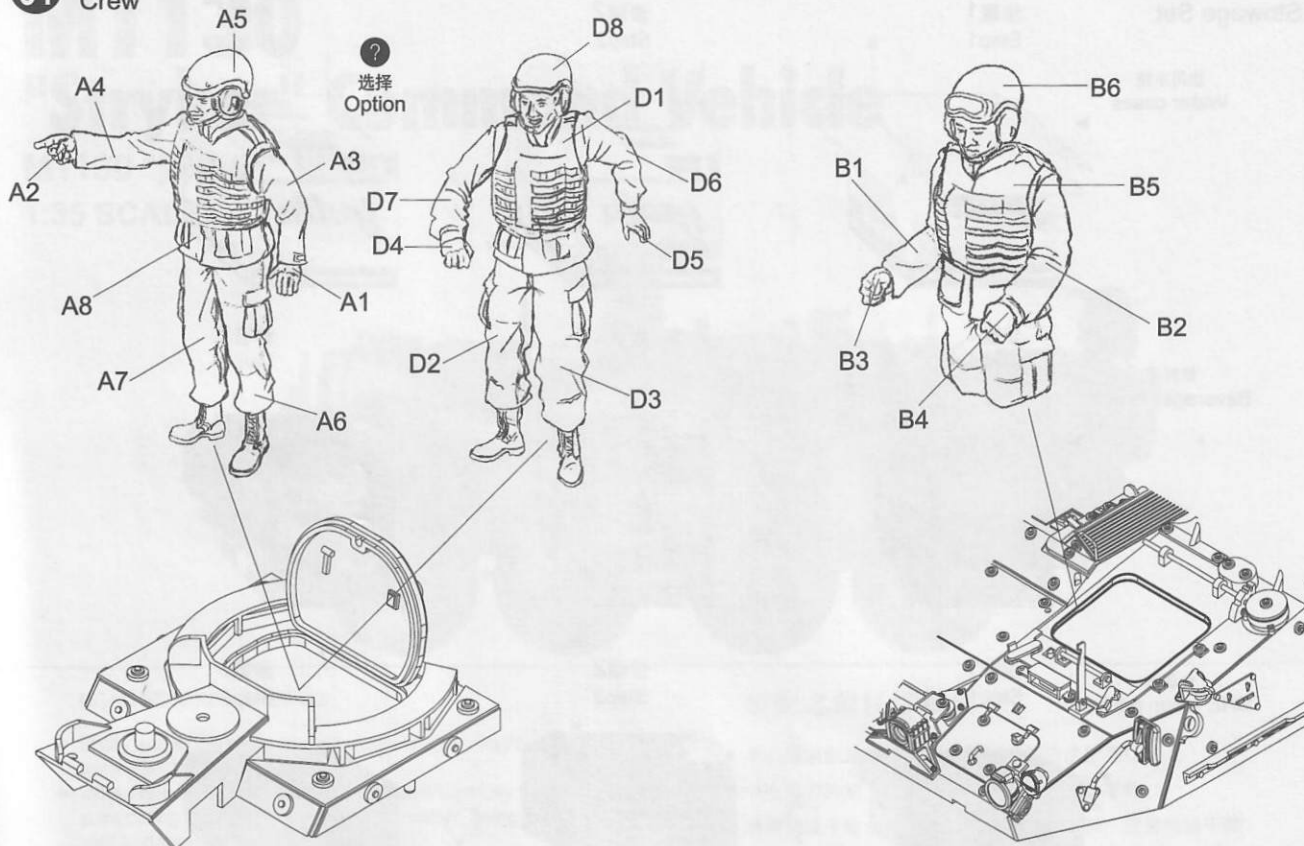




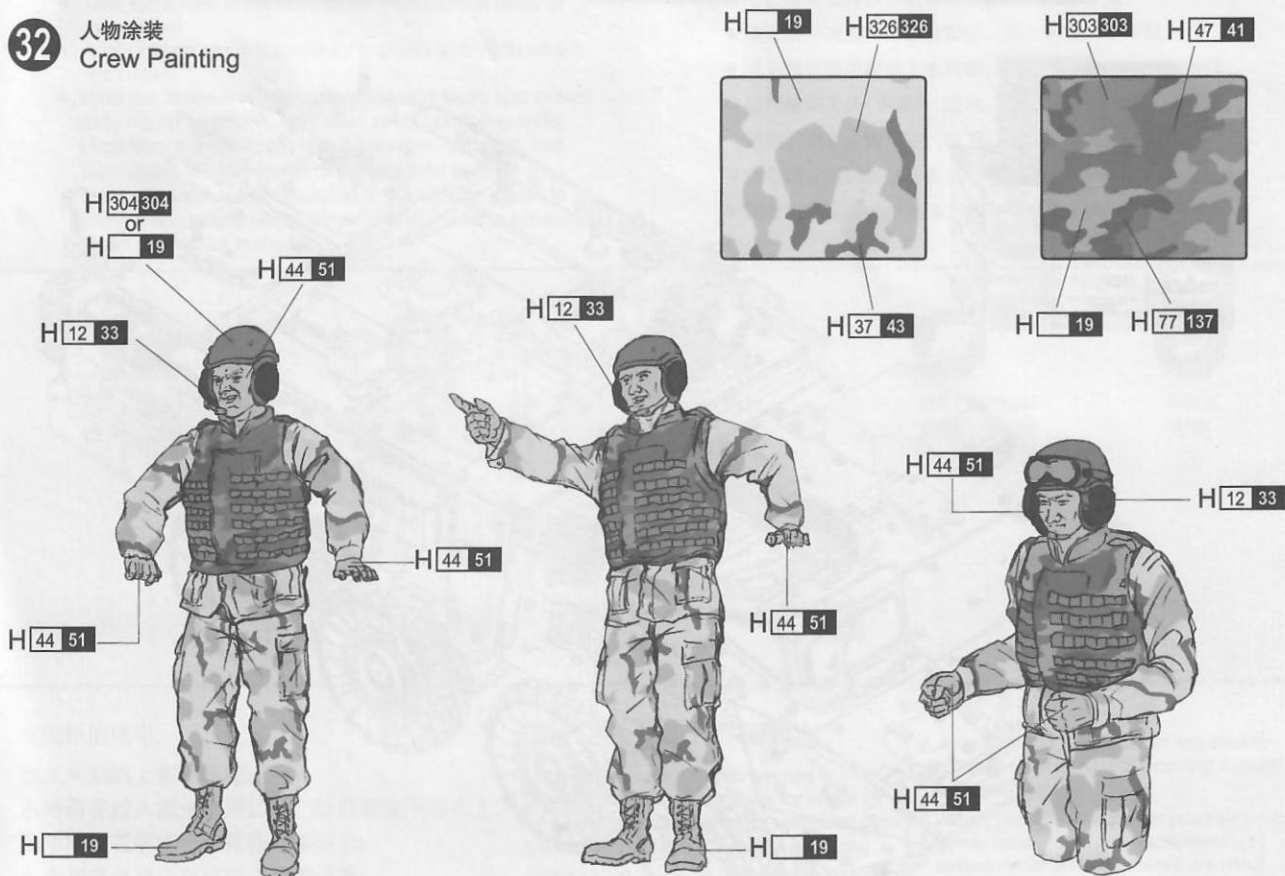
制作32组
Make thirty-two



31 人物
Crew



32 人物涂装
Crew Painting

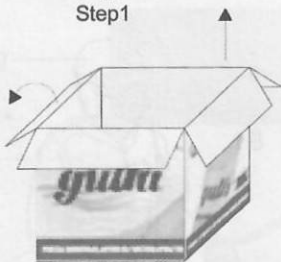


附件:

Stowage Set

步骤1
Step1

饮用水箱
Water cases



步骤2
Step2

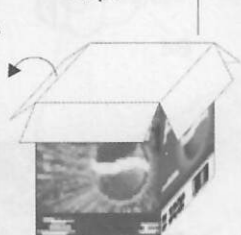


步骤3
Step3



步骤1
Step1

饮料箱
Beverages boxes



步骤2
Step2

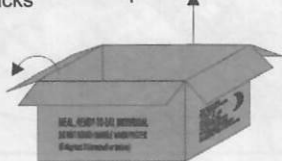


步骤3
Step3



步骤1
Step1

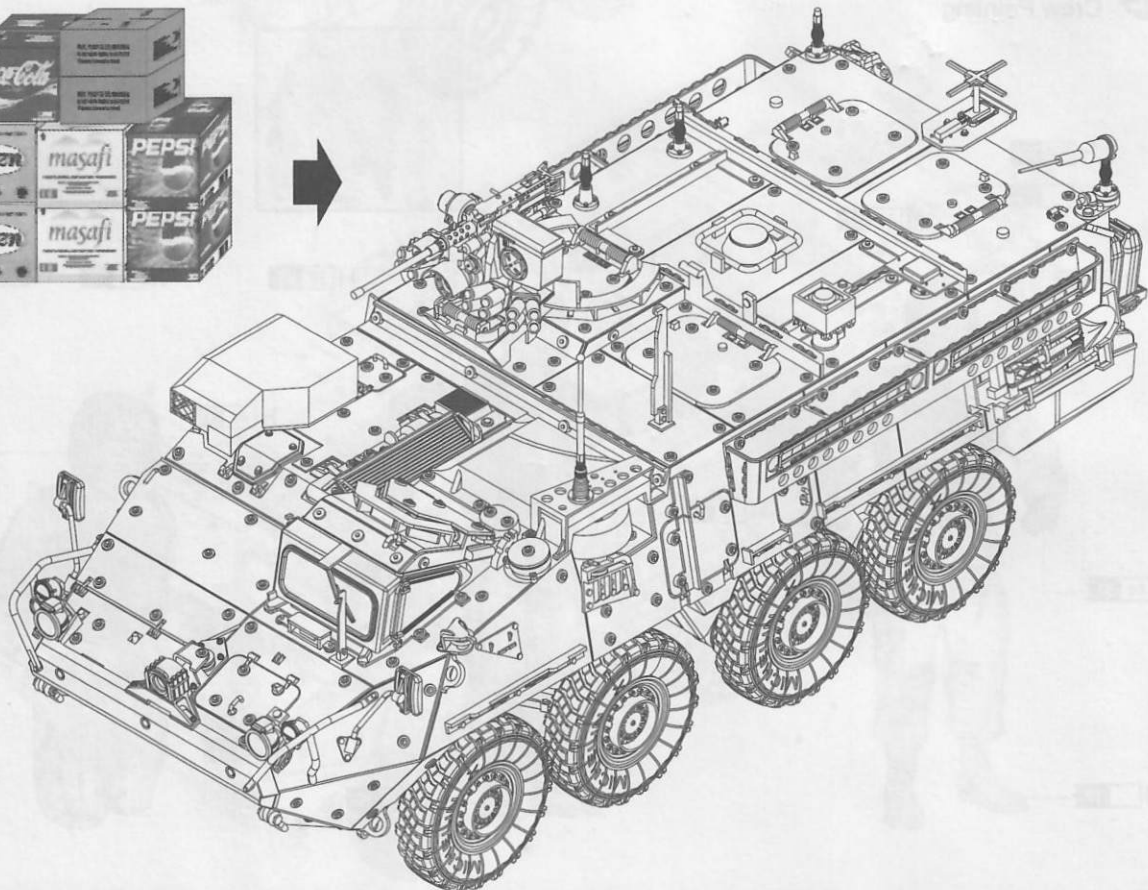
食品箱
MRE ration packs



步骤2
Step2



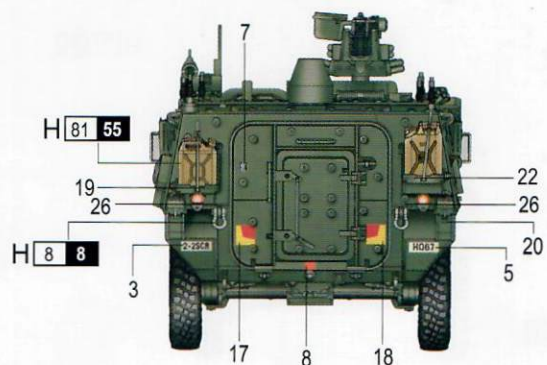
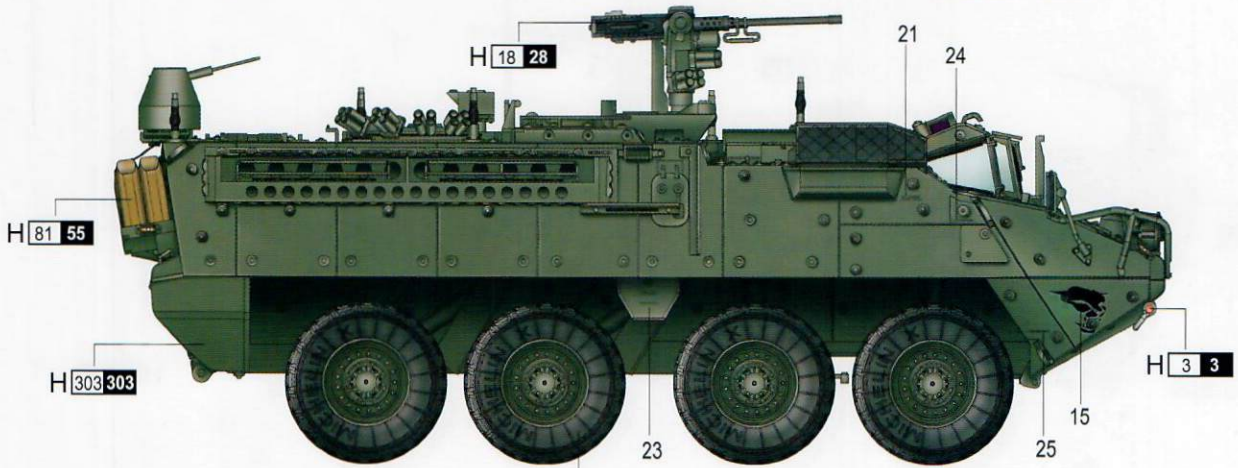
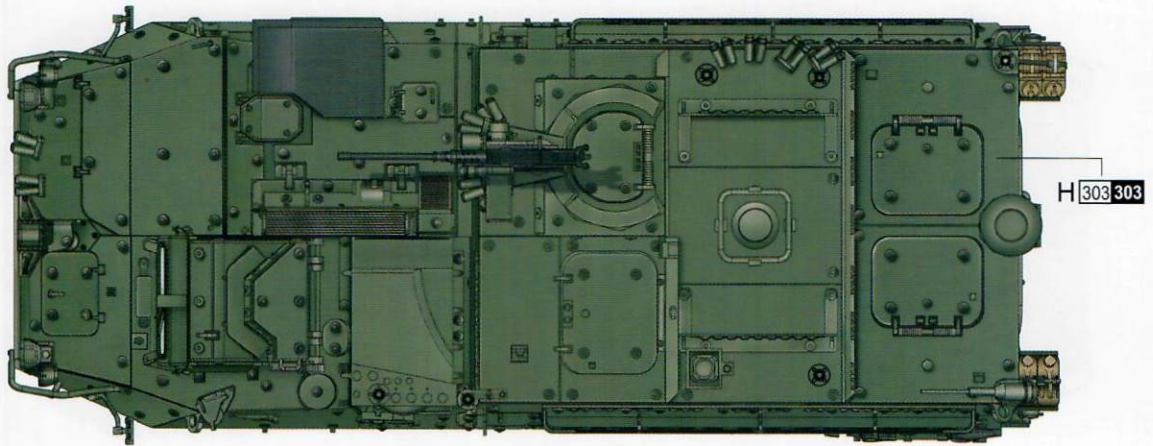
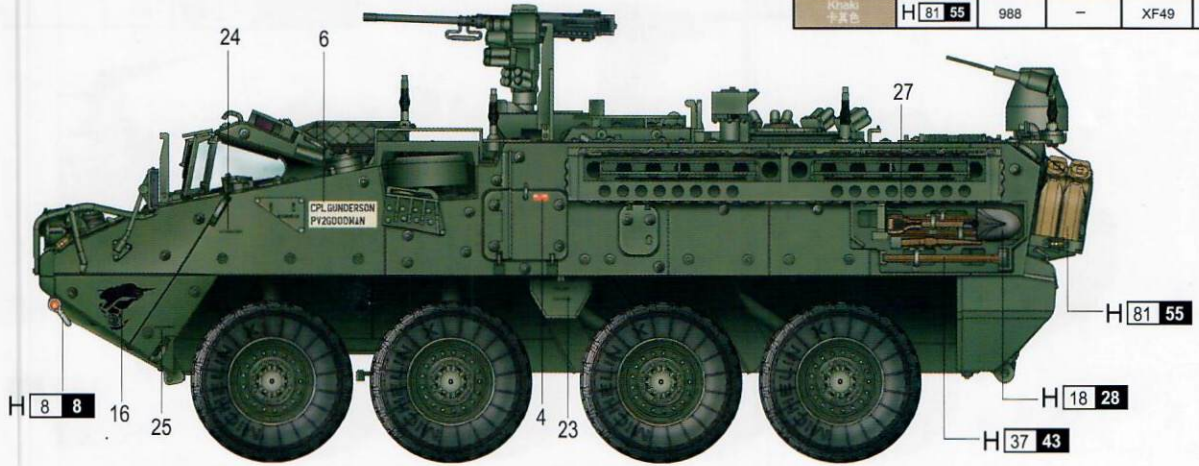
步骤3
Step3



涂装同标贴指示 Painting & Marking guide

Color	Mr.Hobby	Vallejo	Model Master	Tamiya	Humbrol
Silver 银色	H 8 8	997	1546	X11	11
Metal Black 黑铁色	H 18 28	864	1402	-	-
Wood Brown 木棕色	H 37 43	983	1701	-	186
Red 红色	H 3 3	908	1503	X7	19
Light Green 浅绿色	H 303 303	-	1713	XF20	117
Tire Black 胎黑色	H 77 137	-	-	-	-
Yellow 黄色	H 81 55	988	-	XF49	26

A



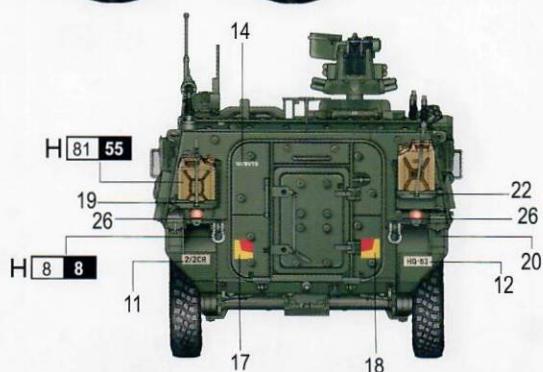
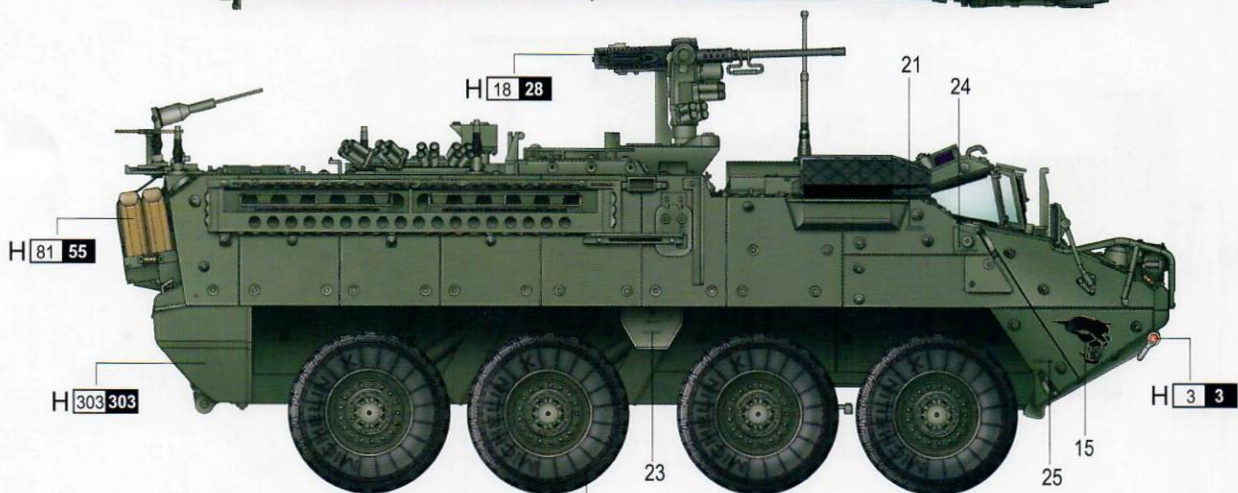
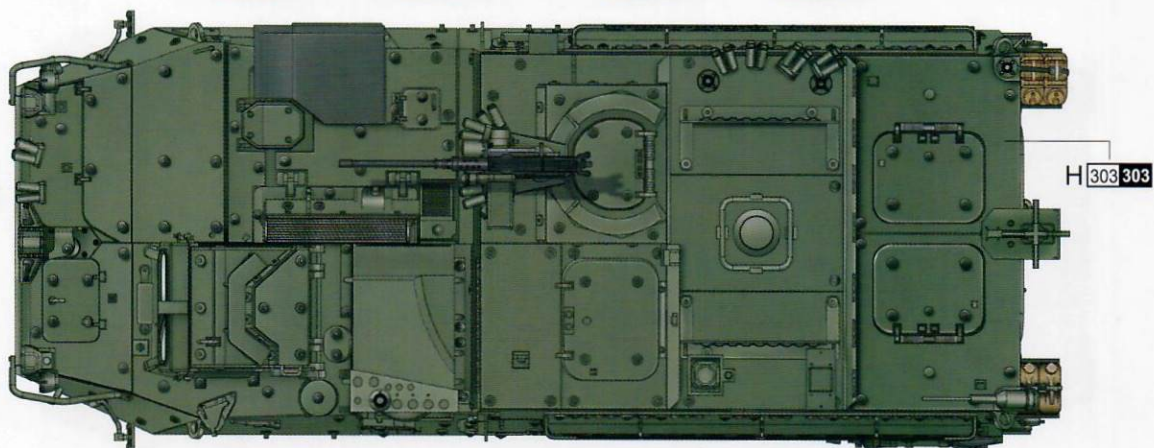
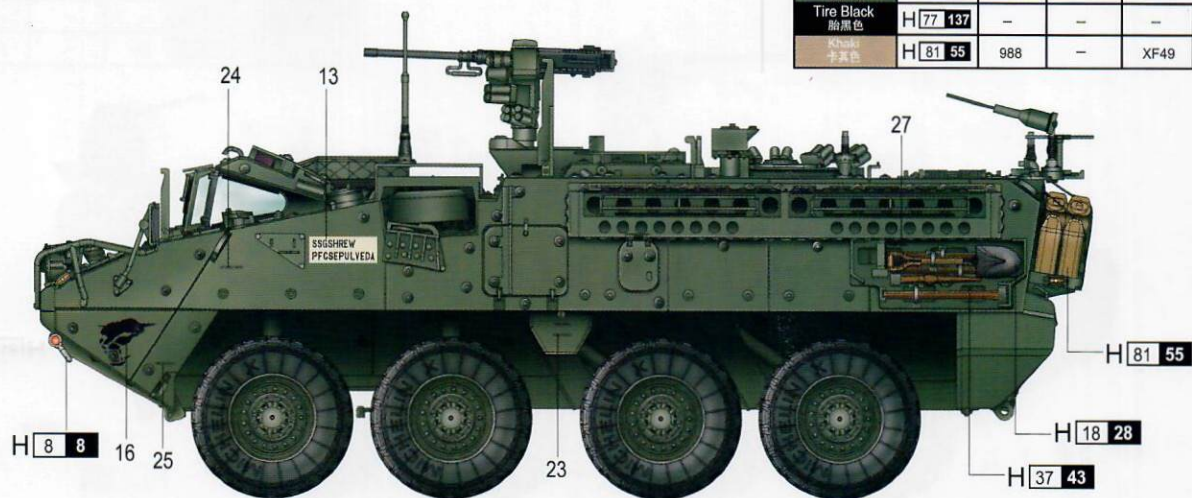
H AQUEOUS HOBBY COLOR Mr. COLOR

涂装同标贴指示

Painting & Marking guide

Color	Mr.Hobby	Vallejo	Model Master	Tamiya	Humbrol
Silver 银色	H 8 8	997	1546	X11	11
Metal Black 黑铁色	H 18 28	864	1402	—	—
Wood Brown 木棕色	H 37 43	983	1701	—	186
Red 红色	H 3 3	908	1503	X7	19
Light Green 橄榄绿色	H 303 303	—	1713	XF20	117
Tire Black 胎黑色	H 77 137	—	—	—	—
Khaki 卡其色	H 81 55	988	—	XF49	26

B



H AQUEOUS HOBBY COLOR ■ Mr. COLOR