

# Canadian AVGP Grizzly (Early)

加拿大陆军“灰熊”轮式装甲输送车(早期型)



## READ BEFORE ASSEMBLY:

- Study and understand these instructions thoroughly before beginning assembly
- When needed, remove photo-etch parts carefully using a modeling knife or photo etch sprue cutter, being careful not to damage or lose small parts.
- Take extra care in handling photo etch parts in order to avoid injury
- Apply instant cement sparingly to photo etch parts where instructed
- Tools recommended(not included in kit):Plastic and instant cements, sprue cutters,long nose pliers,modeling knife, small files, tweezers, pin vise & scissors. Soft cloth and sandpaper will also assist in construction
- Glue and paint are not included in the kit. Use plastic cement and hobby paints only. Color guide for purchasing paint is included in the kit.

## 装配之前仔细阅读

- 小心用模型锉刀锉平所有零件表面的注射浇口。
- 小心用刀片切下蚀刻片零件，不要遗失小零件。
- 用强力快干胶水粘合蚀刻片零件和金属轴。过量快干胶水使用可能导致可动零件会粘住，小心涂胶。
- 取蚀刻片时应特别注意安全，防止利边划伤手指。
- 某些零件表面需贴水上贴纸，请选择在装配的同时进行。
- 推荐模型工具(自备)：胶水，水口剪刀，长咀钳，刀片，锉刀，镊子，钳，钻，剪刀，瞬间快干胶。
- 软布同砂纸同时也应该是必备工具。
- 请使用塑料胶水和油漆，模型内不含。



配重  
Weight



使用强力胶  
Cyanoacrylate glue



钻孔  
Make hole



切除  
Cut / Remove



贴纸  
Decal



锉平  
File / Sand



选择  
Option



不涂胶水  
No cement



弯曲  
Bend

## 水贴纸的使用:

- 1.从水贴上剪下印花;
- 2.将印花放入温水中浸10秒, 然后放在干净布上。
- 3.拿着印花纸板将印花移到模型上;
- 4.手指蘸水将印花移到适当的位置;
- 5.用软布轻压印花直至水干, 汽泡消失

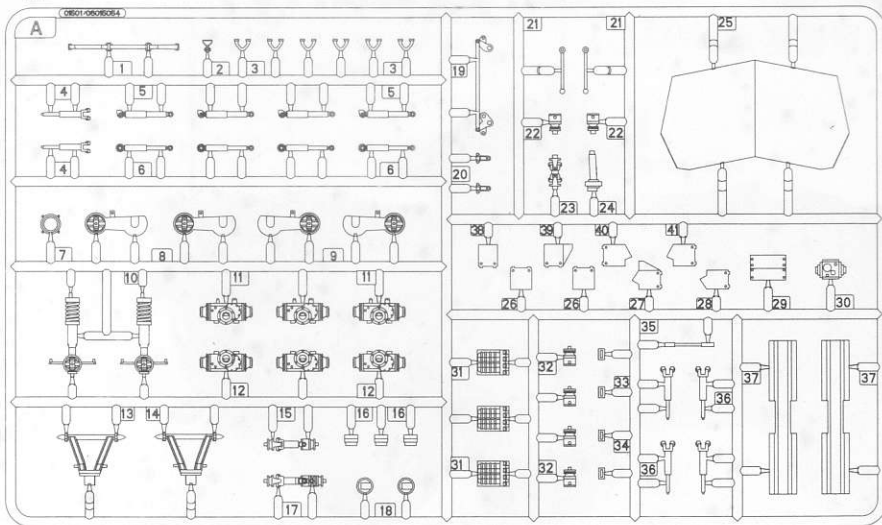
## DECAL APPLICATION

- 1.Cut decals from sheet as needed
- 2.Dip the decal in warm water for about 10 seconds and then place on soft clean cloth.
- 3.Hold the decal backing sheet edge and gently slide the decal onto the model in its proper position.

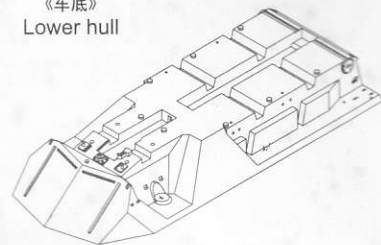
- 4.While still wet,decal can be adjusted for better fit on model by dampening it gently with your finger.
- 5.When placed in the proper position,gently press decal down with a soft cloth until excess water and air bubbles are gone.
- 6.Allow decal to dry completely before handling model

# 部品图 Parts

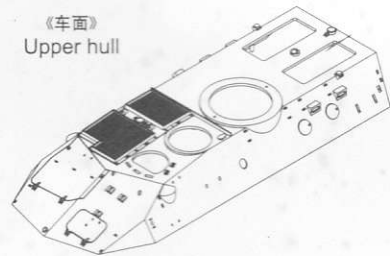
A



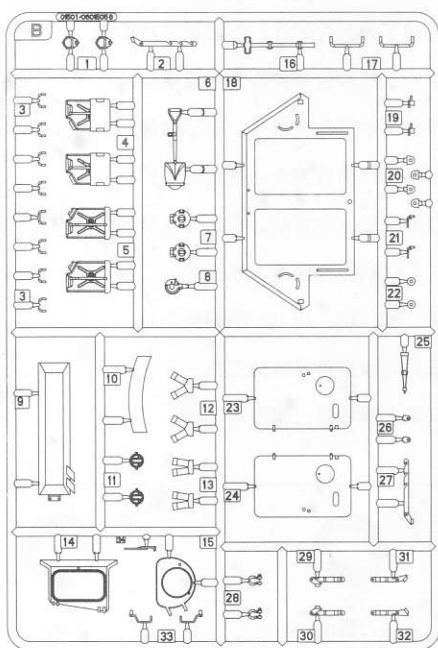
《车底》  
Lower hull



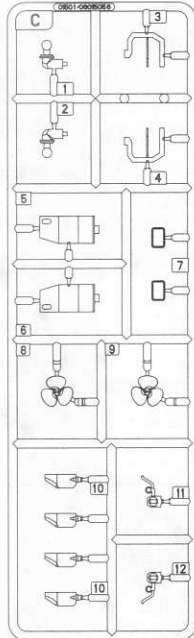
《车面》  
Upper hull



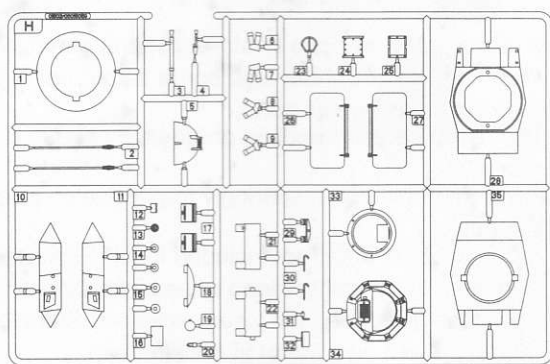
B



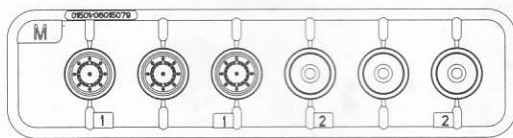
C



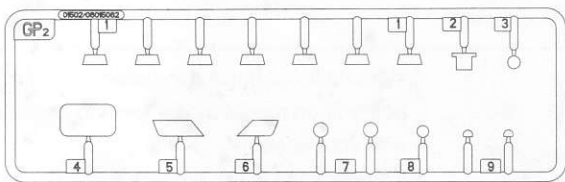
H



M X2



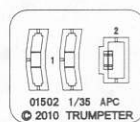
GP2



《轮胎》X6  
Tire



《蚀刻片》  
Photo Etched Parts



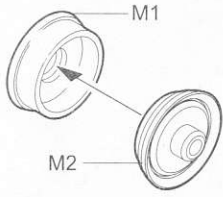
《水贴纸》  
Decal



不用部品: A27、A28、A40、A41、B1、GP3、GP9  
Unused parts

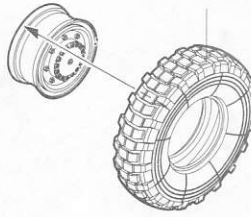
1

《车轮》  
Wheel

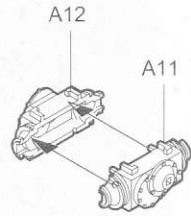


制作6组  
Make six

《轮胎》  
Tyre

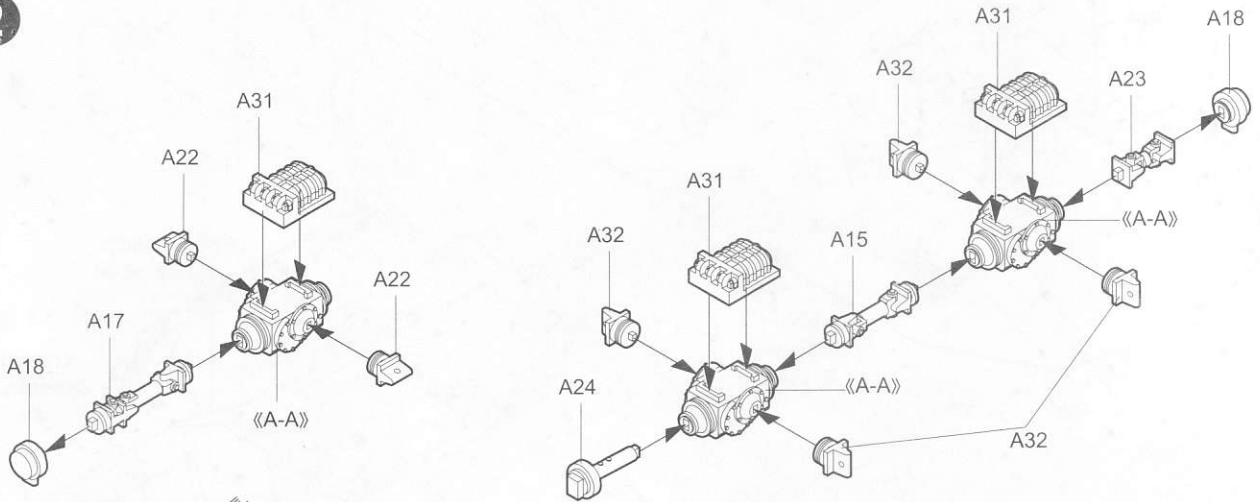


《A-A》

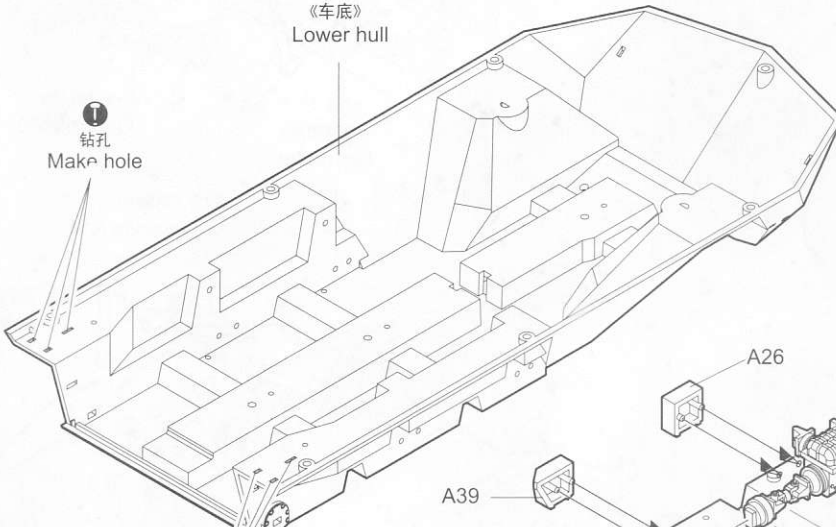


制作3组  
Make Three

2

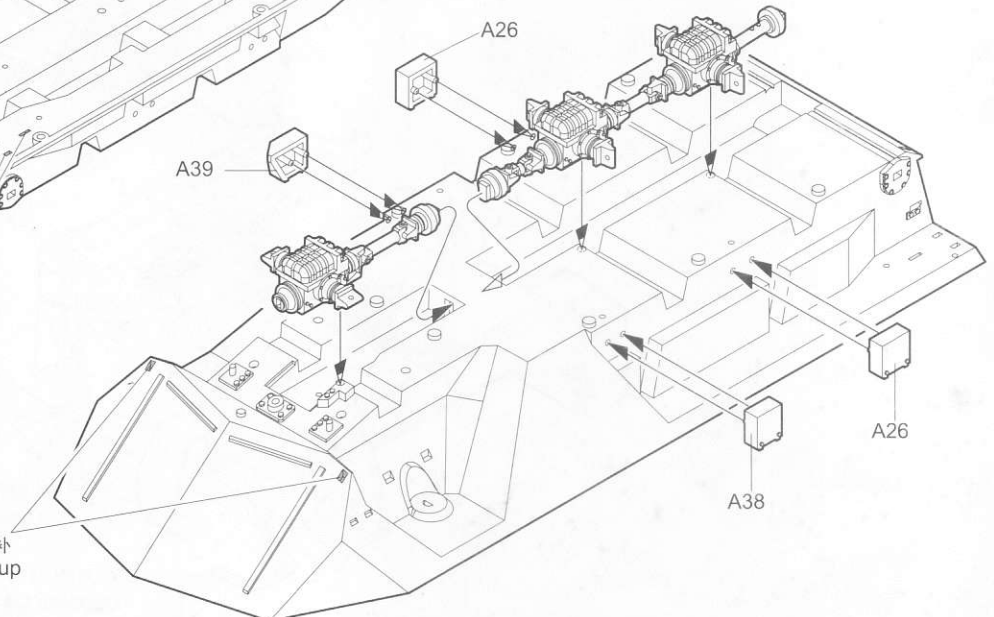


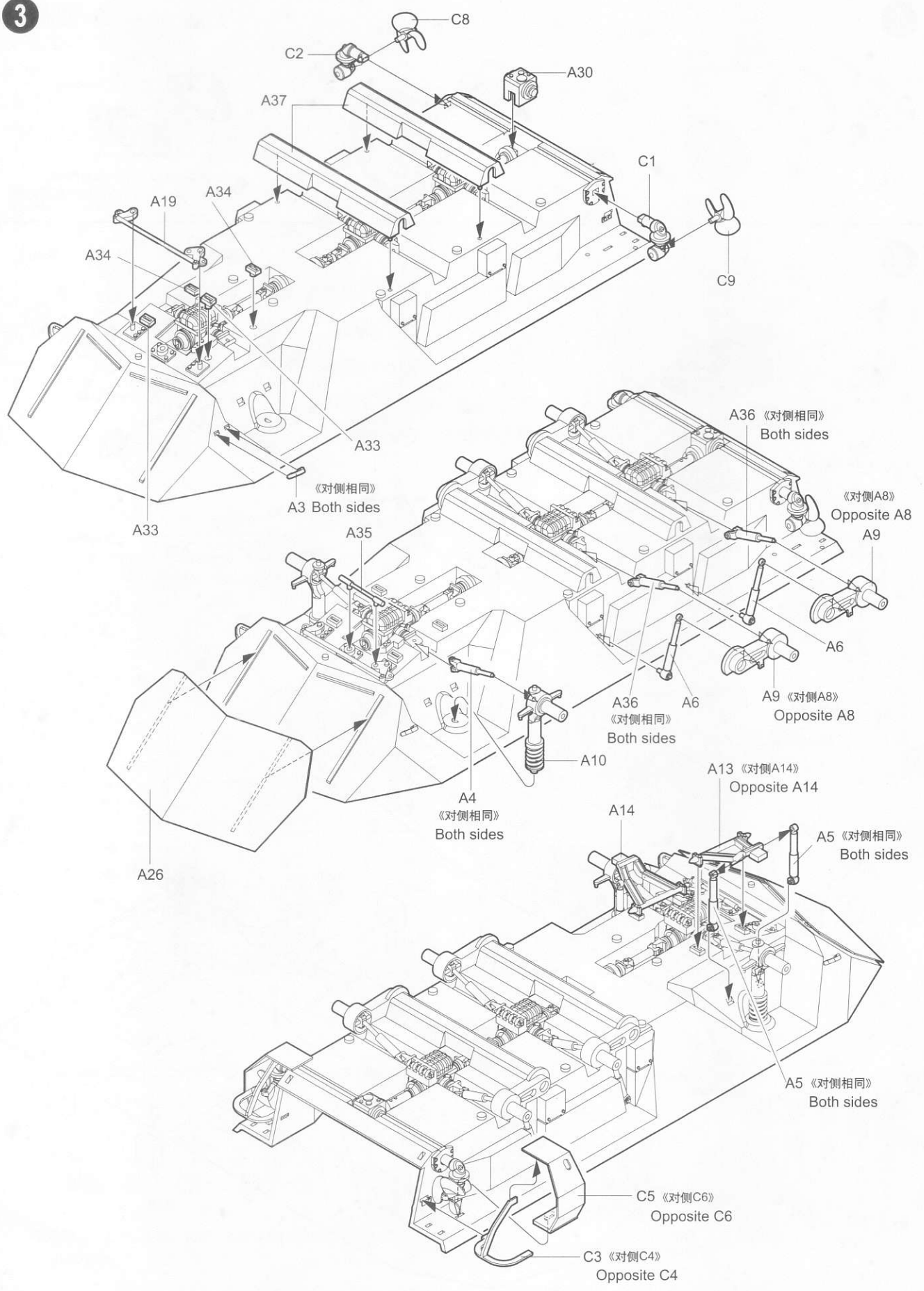
《车底》  
Lower hull



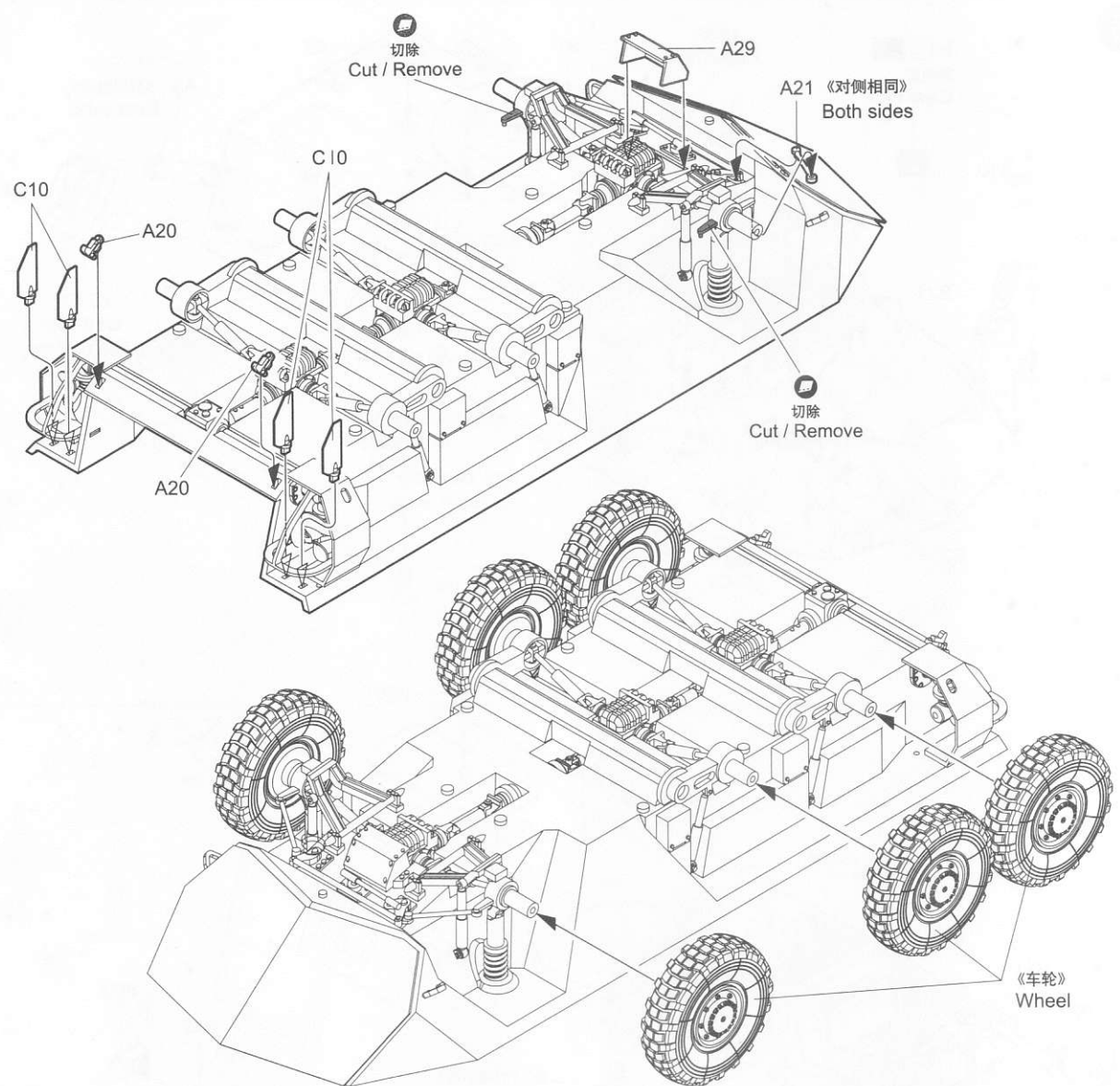
① 钻孔  
Make hole

填补  
Fill up

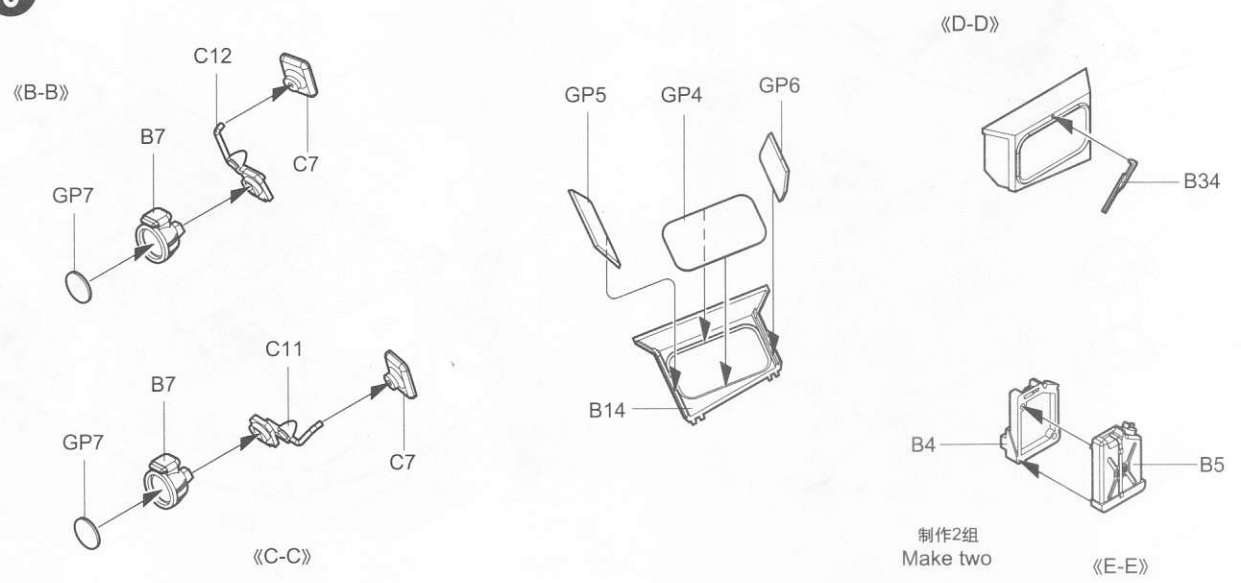


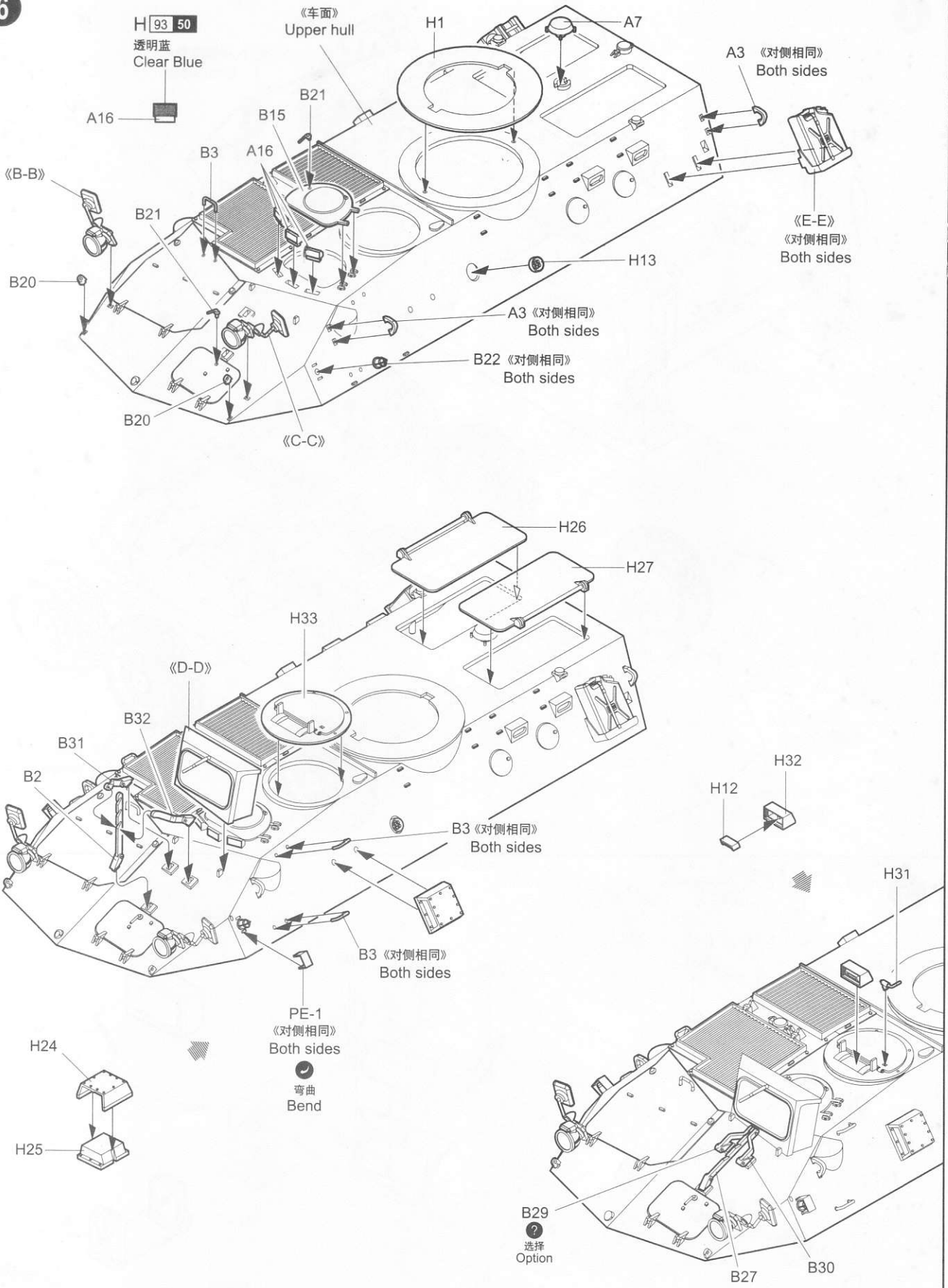


4

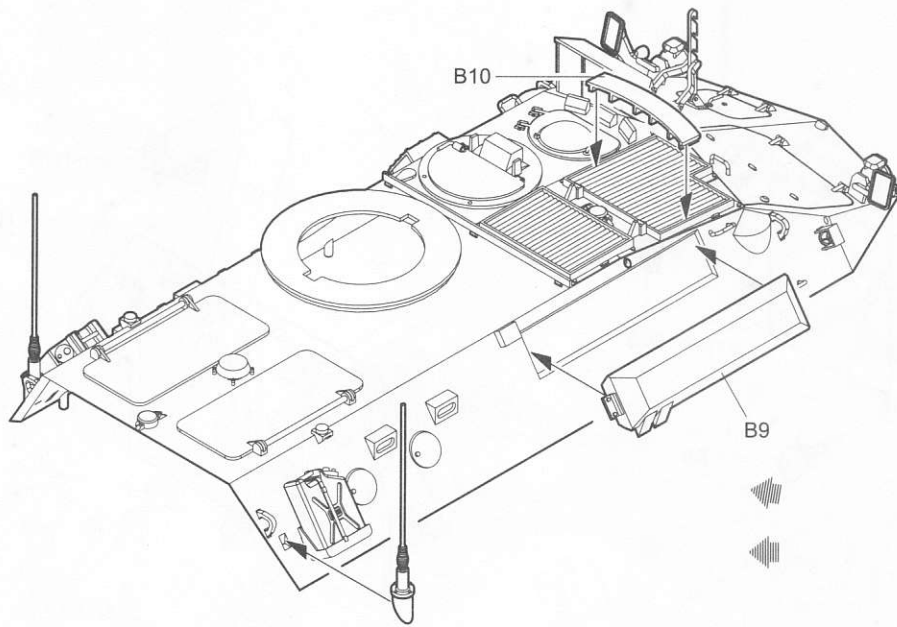


5

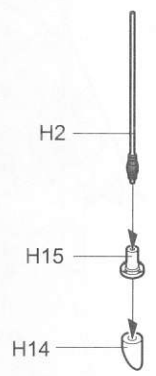




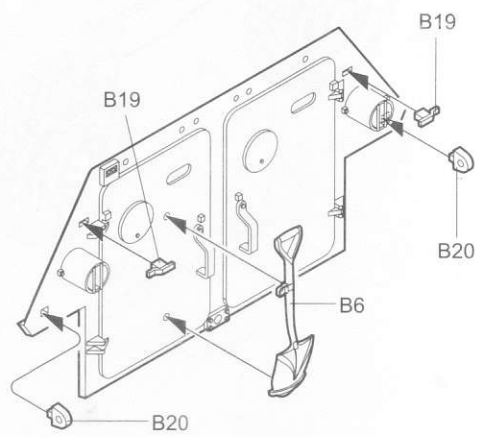
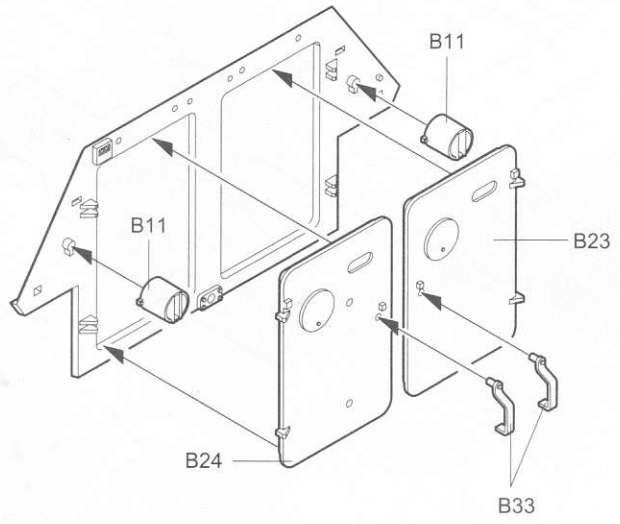
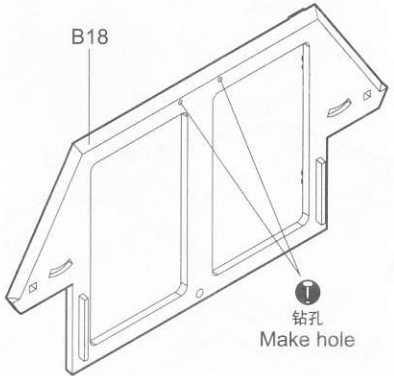
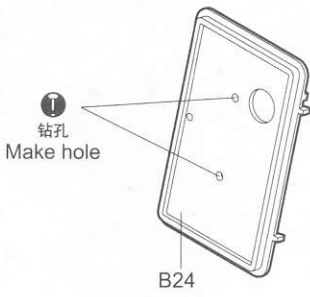
7



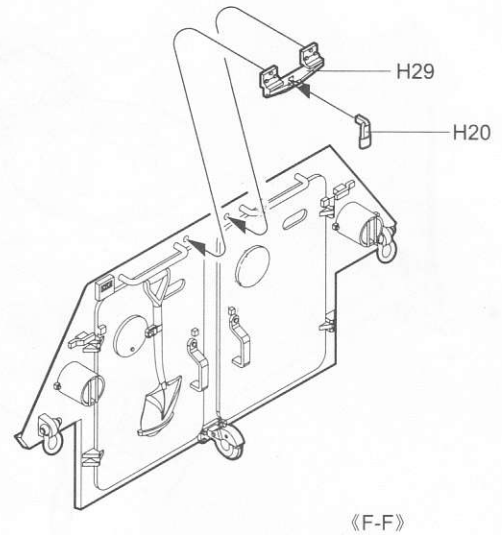
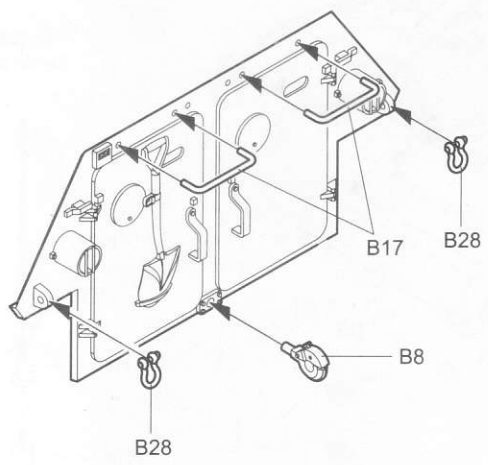
制作2组  
Make two



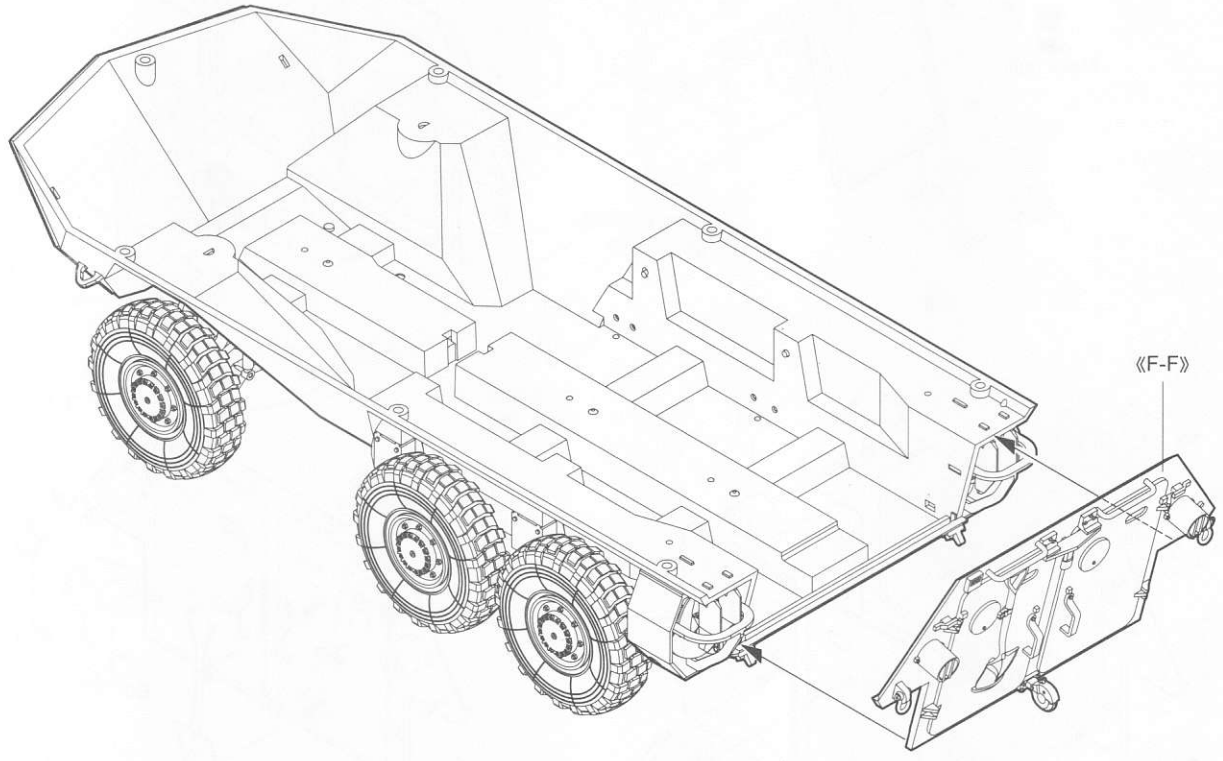
8



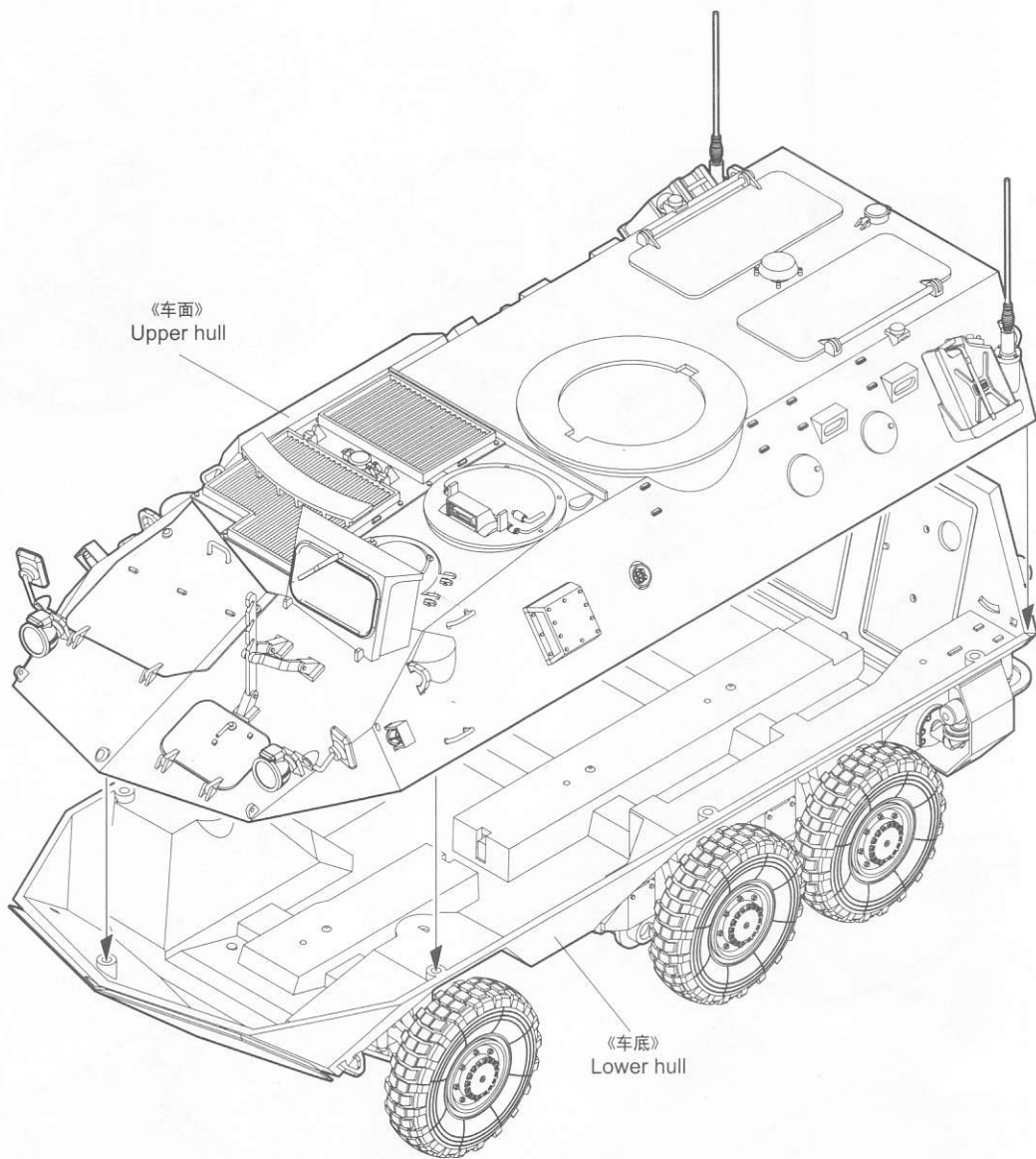
9



10

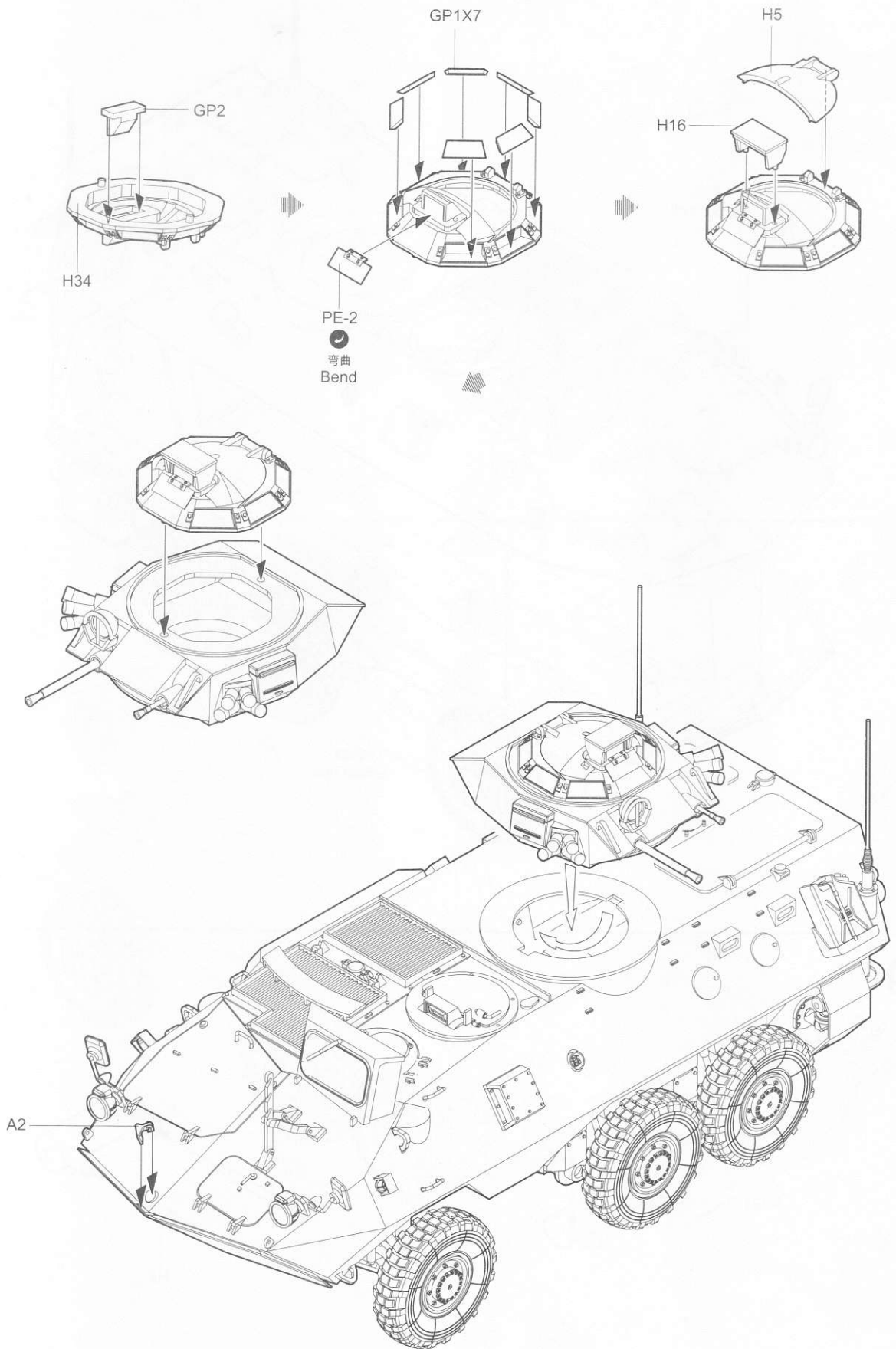


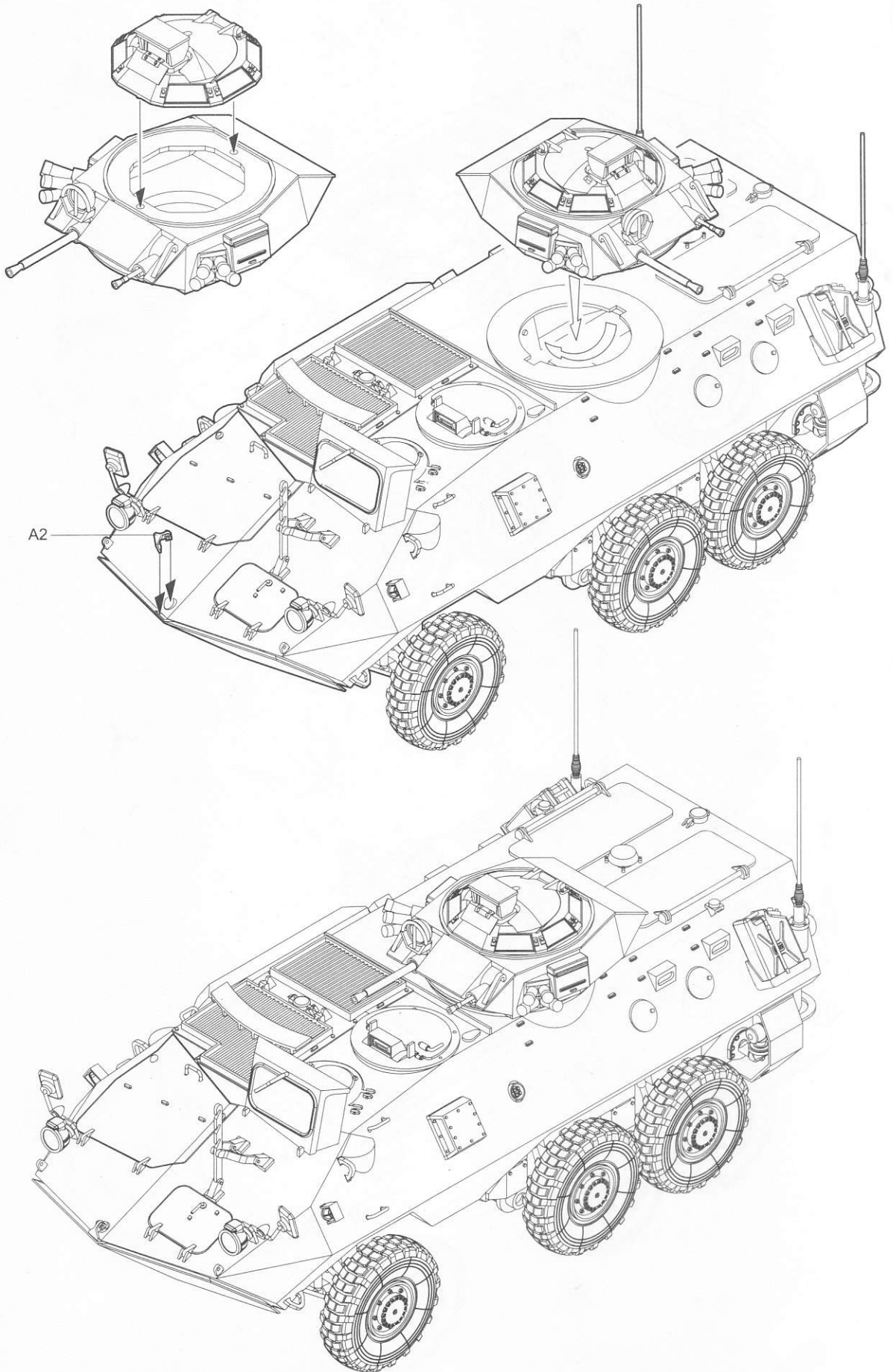
11



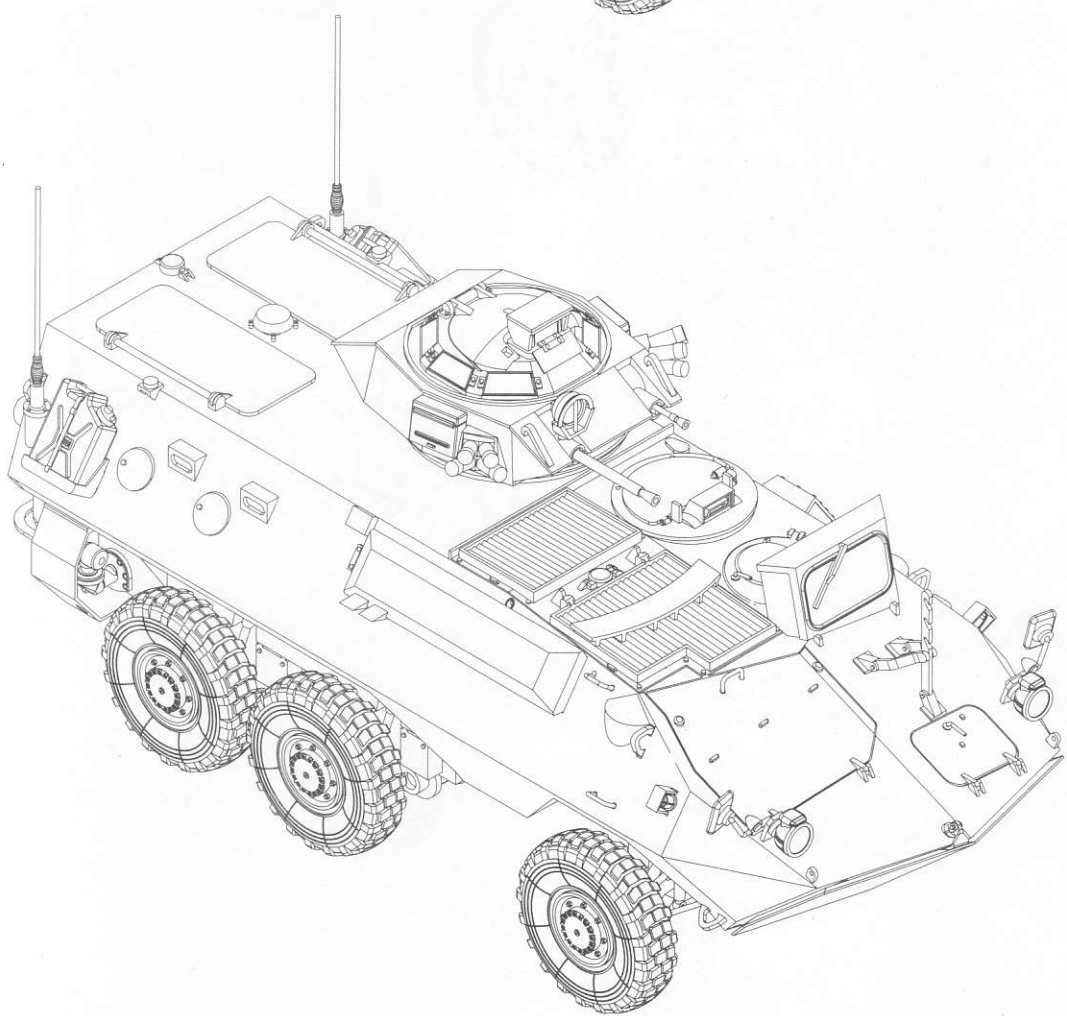
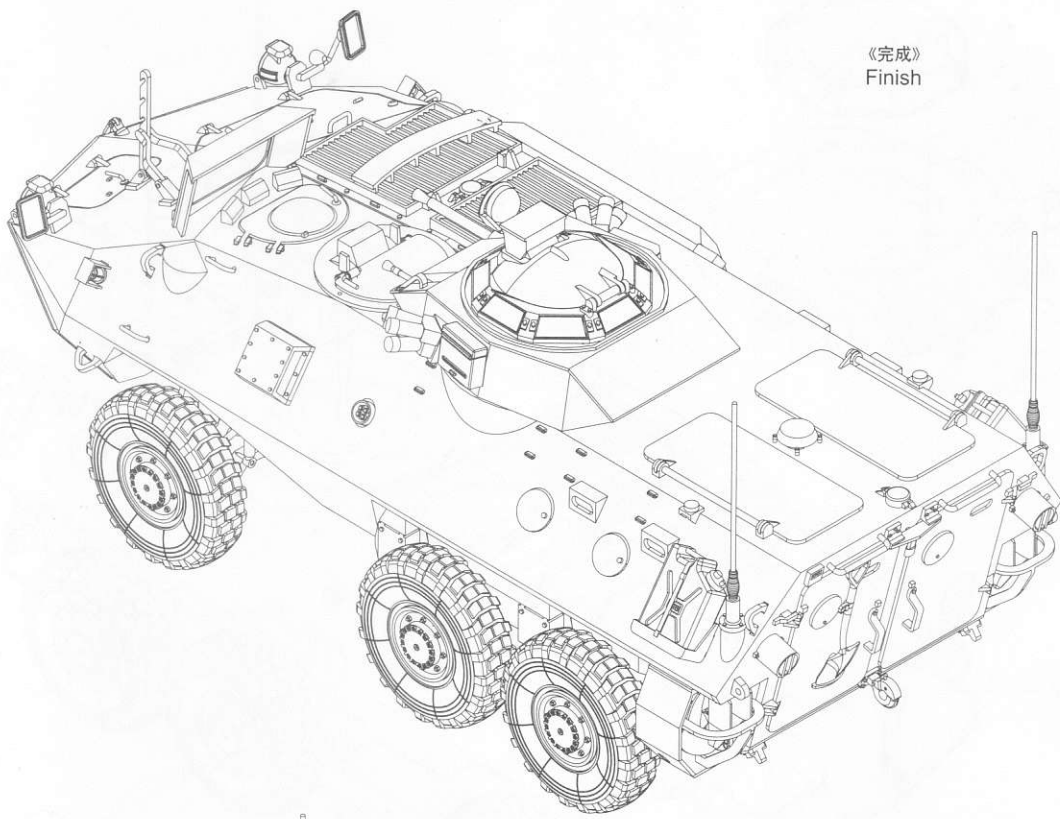
12







《完成》  
Finish

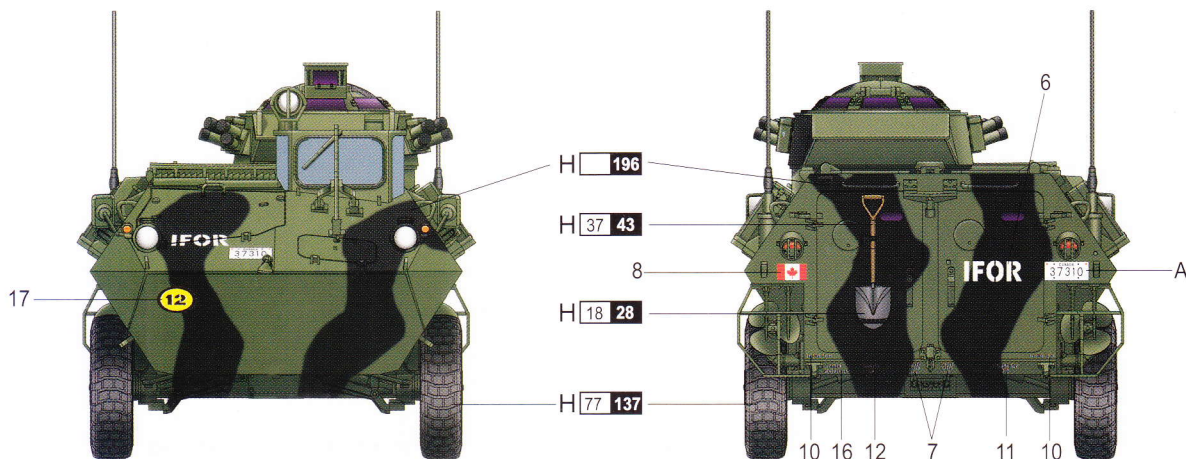
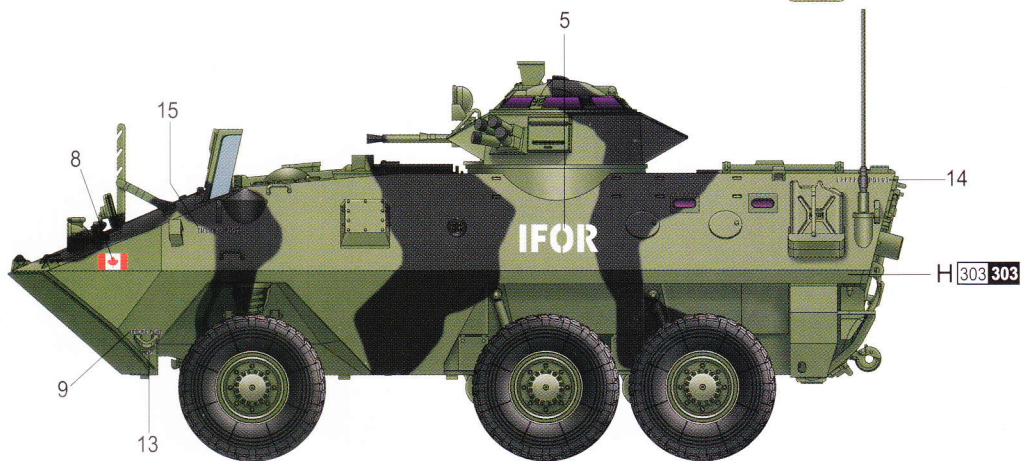
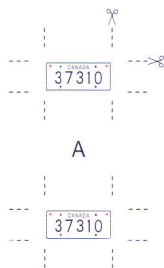
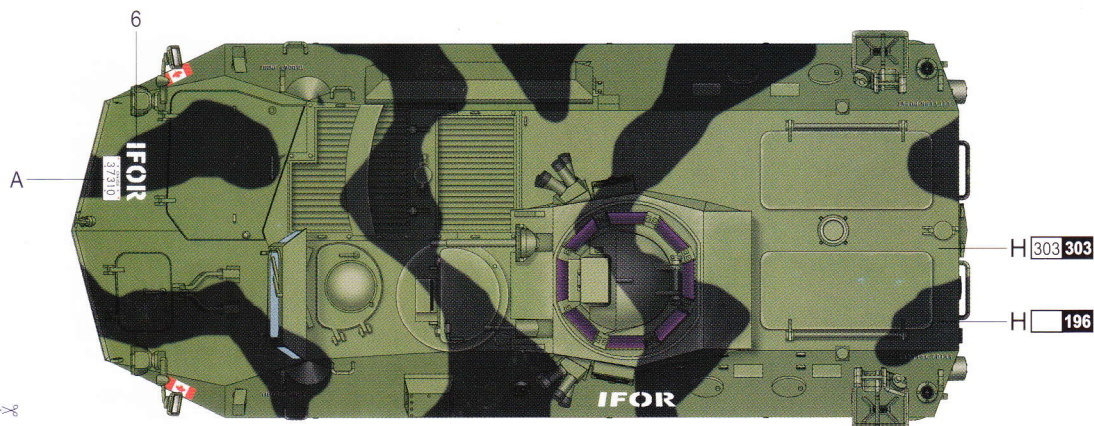
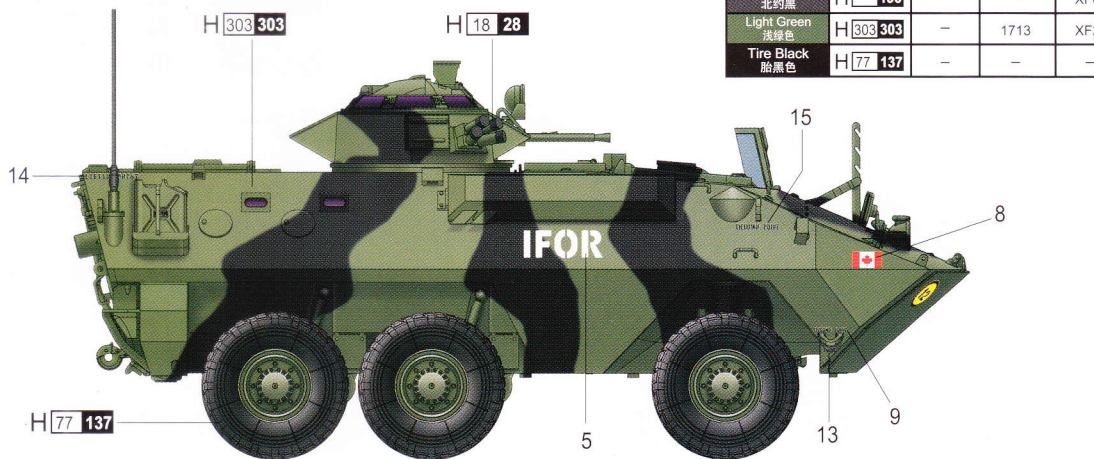


# 涂装同标贴指示 Painting & Marking guide

## PAINT REFERENCE COLOUR

Color	Mr.Hobby	Vallejo	Model Master	Tamiya	Humbrol
Metal Black 黑铁色	H 18 28	864	1402	—	—
Wood Brown 木棕色	H 37 43	983	1701	—	186
Dark gray 北约黑	H 196	—	—	XF69	—
Light Green 浅绿色	H 303 303	—	1713	XF20	117
Tire Black 胎黑色	H 77 137	—	—	—	—

**A**



H □ AQUEOUS HOBBY COLOR ■ Mr. COLOR

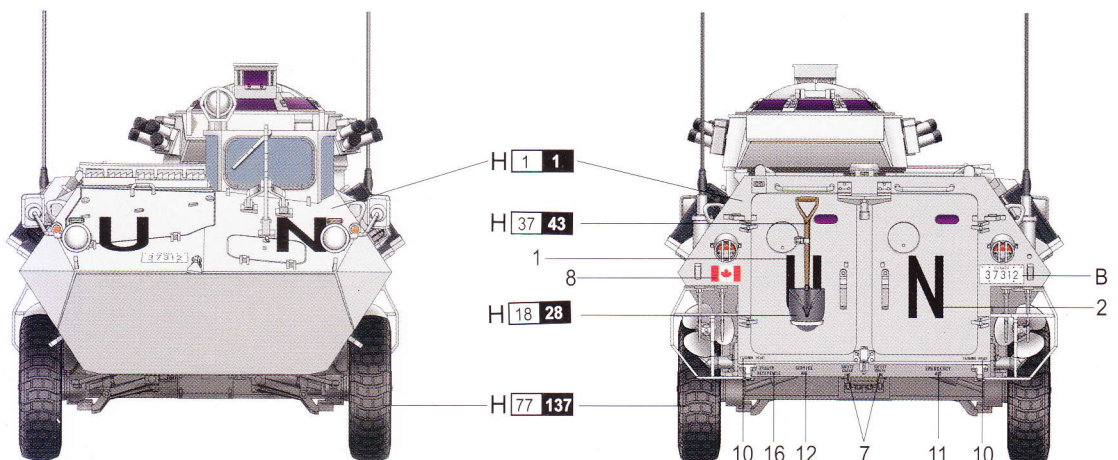
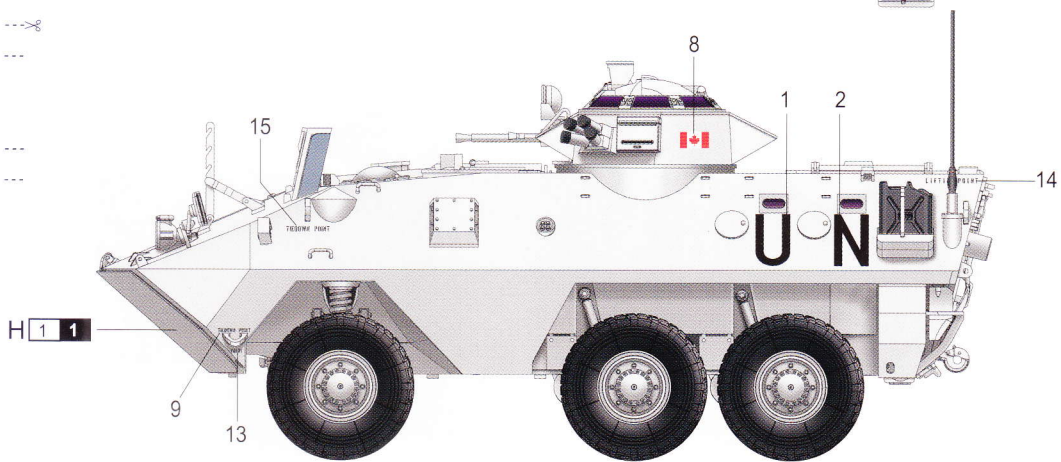
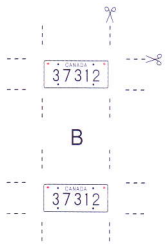
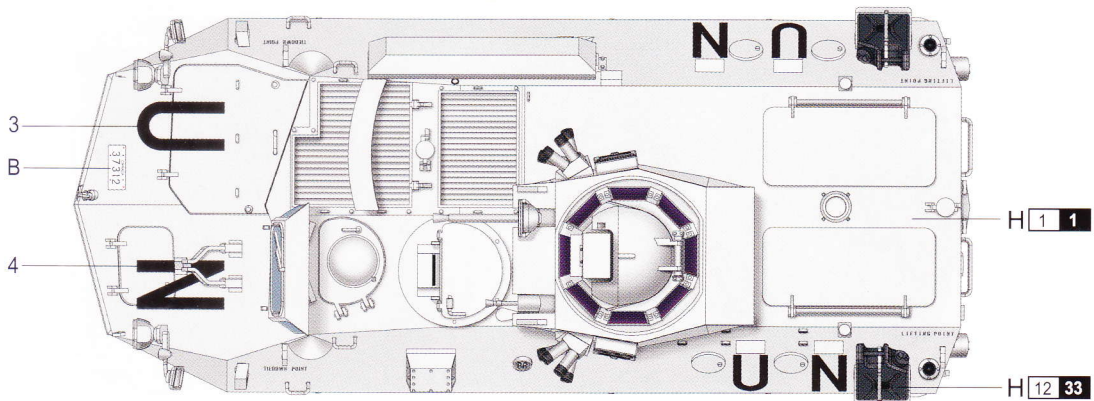
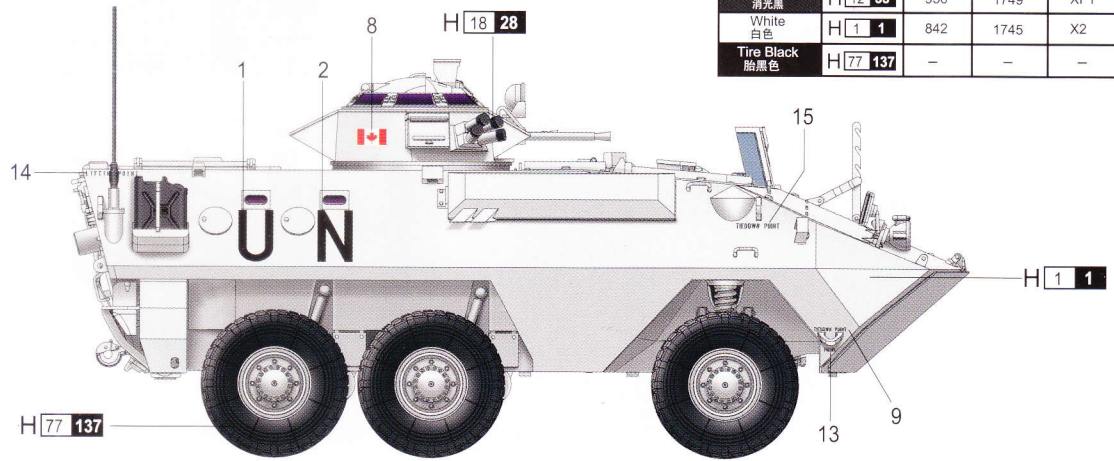
# 涂装同标贴指示

## Painting & Marking guide

**B**

### PAINT REFERENCE COLOUR

Color	Mr.Hobby:	Vallejo	Model Master	Tamiya	Humbrol
Metal Black 黑铁色	H 18 28	864	1402	—	—
Wood Brown 木棕色	H 37 43	983	1701	—	186
Flat Black 消光黑	H 12 33	950	1749	XF1	33
White 白色	H 1 1	842	1745	X2	22
Tire Black 胎黑色	H 77 137	—	—	—	—



H  AQUEOUS HOBBY COLOR    ■ Mr. COLOR