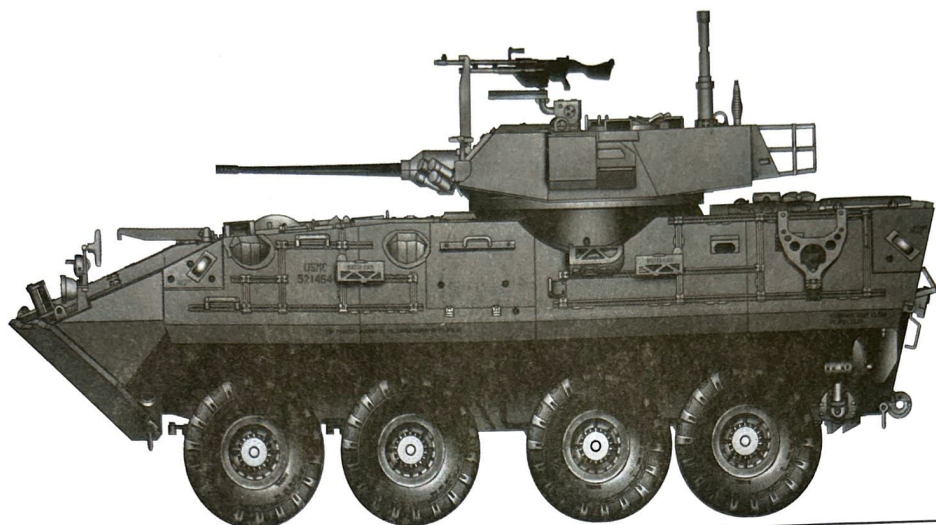


LAV-A2 Armoured vehicle

美军LAV-A2 型装甲车



CE COLOUR		
Model Master	Tamiya	Humbrol
1402	-	-
1749	XF1	33
-	XF59	93
-	-	-
1701	-	186

79 39

READ BEFORE ASSEMBLY:

- Study and understand these instructions thoroughly before beginning assembly
- When needed, remove photo-etch parts carefully using a modeling knife or photo etch sprue cutter, being careful not to damage or lose small parts.
- Take extra care in handling photo etch parts in order to avoid injury
- Apply instant cement sparingly to photo etch parts where instructed
- Tools recommended(not included in kit):Plastic and instant cements,sprue cutters,long nose pliers,,modeling knife, small files, tweezers, pin vise & scissors. Soft cloth and sandpaper will also assist in construction
- Glue and paint are not included in the kit. Use plastic cement and hobby paints only. Color guide for purchasing paint is included in the kit.

装配之前仔细阅读

- 小心用模型锉刀锉平所有零件表面的注射浇口。
- 小心用刀片切下蚀刻片零件，不要遗失小零件。
- 用强力快干胶水粘合蚀刻片零件和金属轴。过量的快干胶水使用可能导致可动零件会粘住，小心涂胶。
- 取蚀刻片时应特别注意安全，防止利边划伤手指。
- 某些零件表面需贴上水贴纸，请选择在装配的同时进行。
- 推荐模型工具(自备)：胶水，水口剪刀，长咀钳，刀片，锉刀，镊子，钳，钻，剪刀，瞬间快干胶。
- 软布同砂纸同时也应该是必备工具。
- 请使用塑料胶水和油漆，模型内不含。

18 28

- 16

37 43



cyanoacrylate glue
使用强力胶



weight
配重



make hole
钻孔



cut / remove
切除



bend
弯曲



file / sand
锉平



option
选择



no cement
不涂胶水



decal
贴纸

水贴纸的使用:

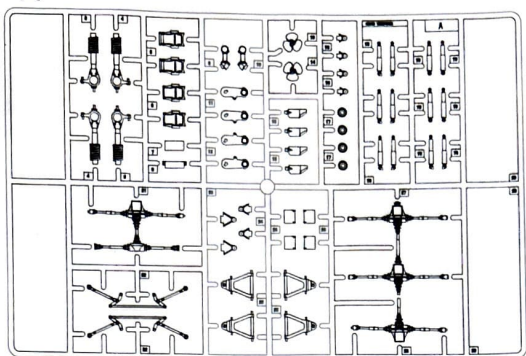
1. 从水贴纸上剪下印花;
2. 将印花放入温水中浸10秒, 然后放在干净布上。
3. 拿着印花纸板将印花移到模型上;
4. 手指蘸水将印花移到适当的位置;
5. 用软布轻压印花直至水干, 气泡消失。

DECAL APPLICATION:

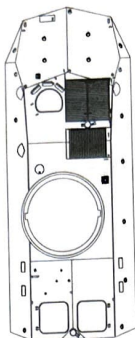
1. Cut decals from sheet as needed
2. Dip the decal in warm water for about 10 seconds and then place on soft clean cloth.
3. Hold the decal backing sheet edge and gently slide the decal onto the model in its proper position.
4. While still wet, decal can be adjusted for better fit on model by dampening it gently with your finger.
5. When placed in the proper position, gently press decal down with a soft cloth until excess water and air bubbles are gone.
6. Allow decal to dry completely before handling model

部品图
Parts

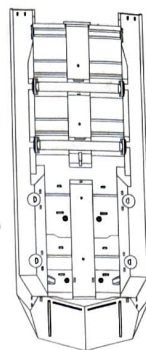
A



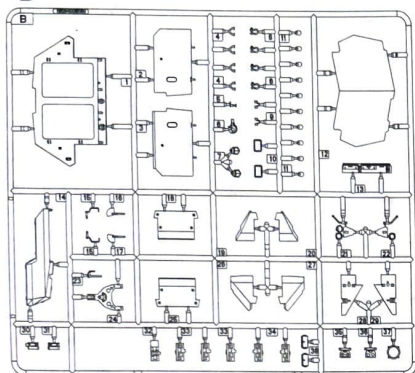
《车面》
Upper hull



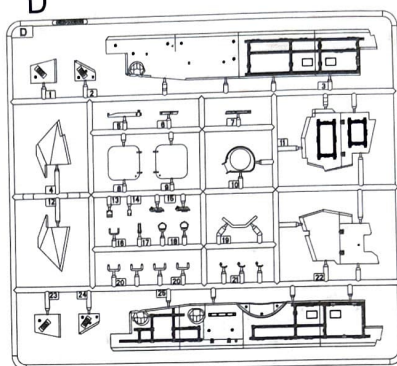
《车底》
Lower hull



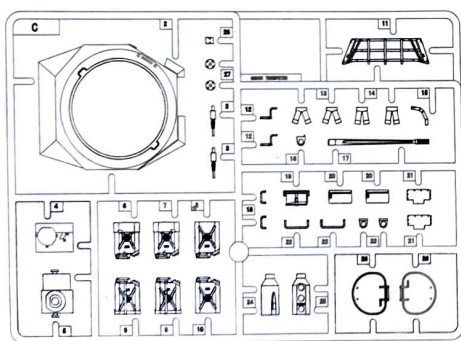
B



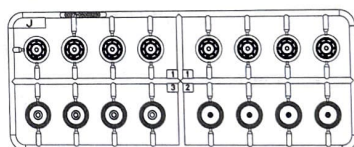
D



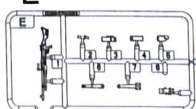
C



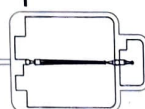
J



E



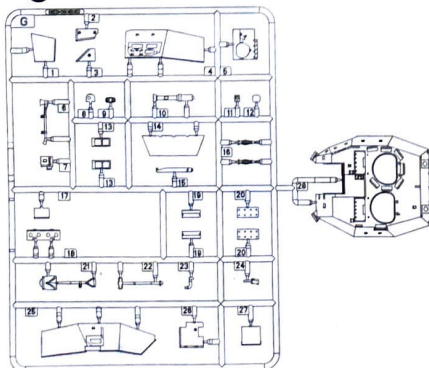
F



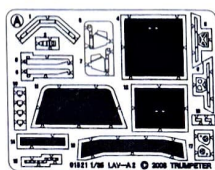
《轮胎》X8
Tyre



G



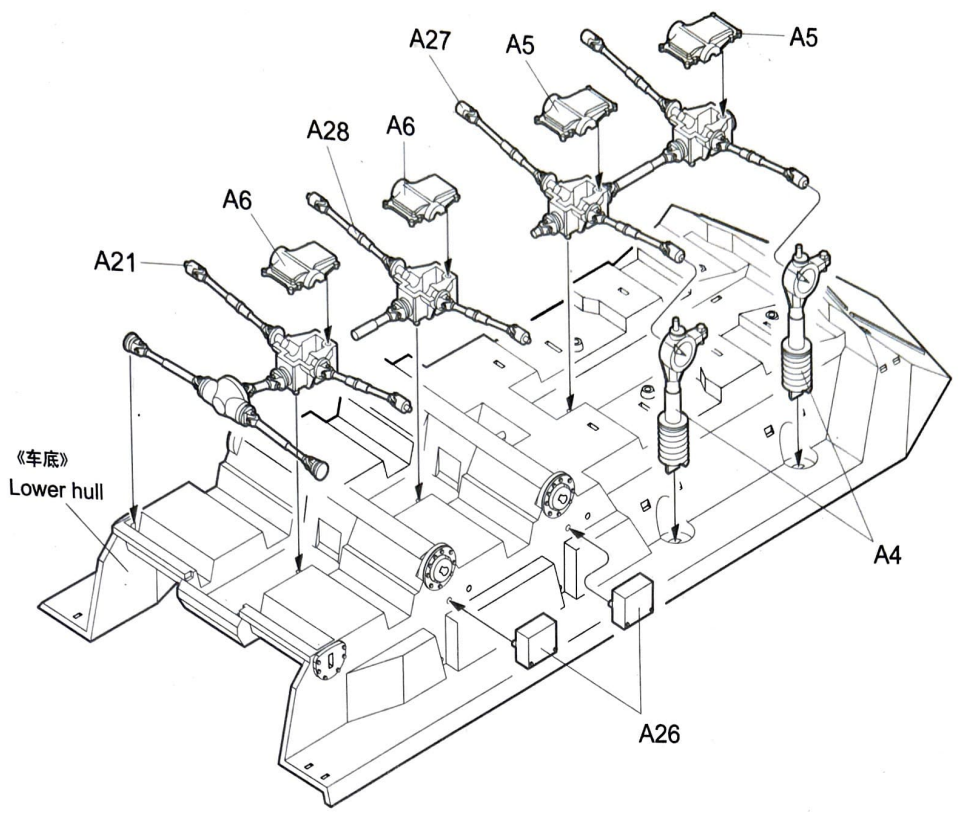
《蚀刻片》
PE-A



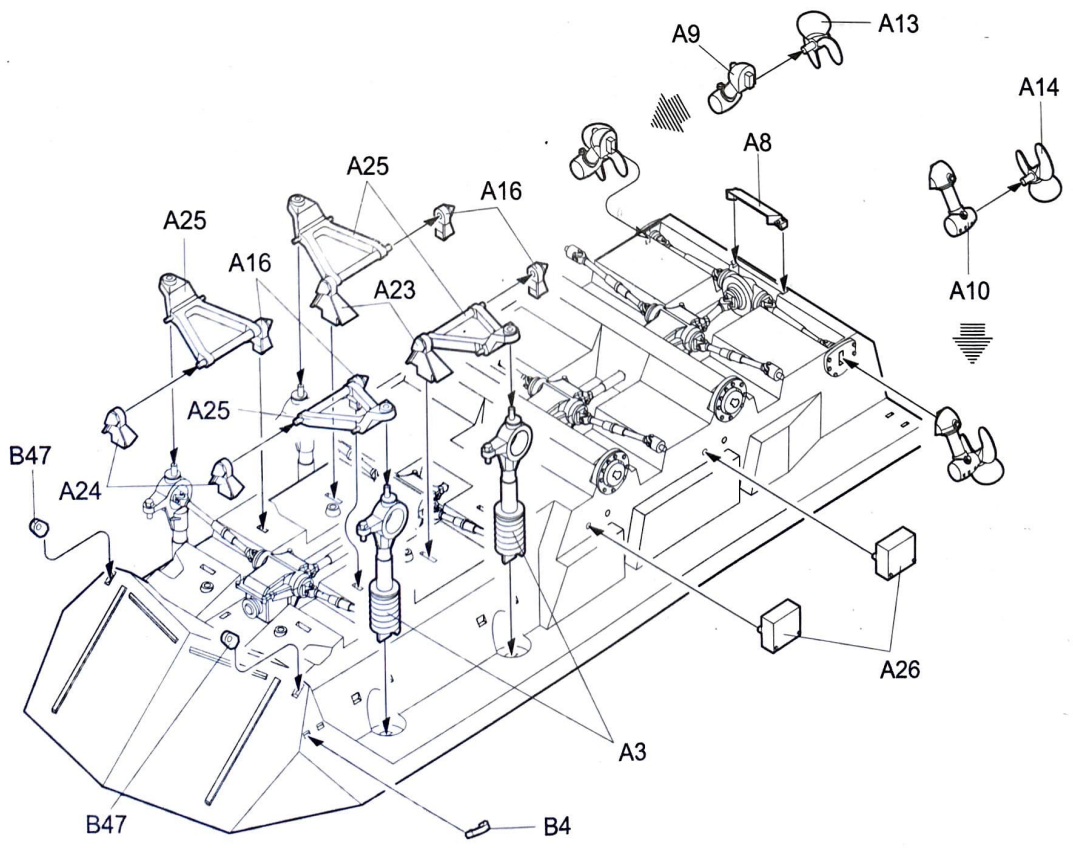
《水贴纸》
Decal

USMC	1	USMC	521464
521464	2	USMC	521464
USMC	3	USMC	521727
521727	4	USMC	521727
USMC	5	USMC	521727
USMC	6	USMC	521727
USMC	7	USMC	521727
USMC	8	USMC	521727
USMC	9	USMC	521727
USMC	10	USMC	521727
USMC	11	USMC	521727
USMC	12	USMC	521727
USMC	13	USMC	521727
USMC	14	USMC	521727
USMC	15	USMC	521727
USMC	16	USMC	521727
USMC	17	USMC	521727
USMC	18	USMC	521727
USMC	19	USMC	521727
USMC	20	USMC	521727
USMC	21	USMC	521727
USMC	22	USMC	521727
USMC	23	USMC	521727
USMC	24	USMC	521727

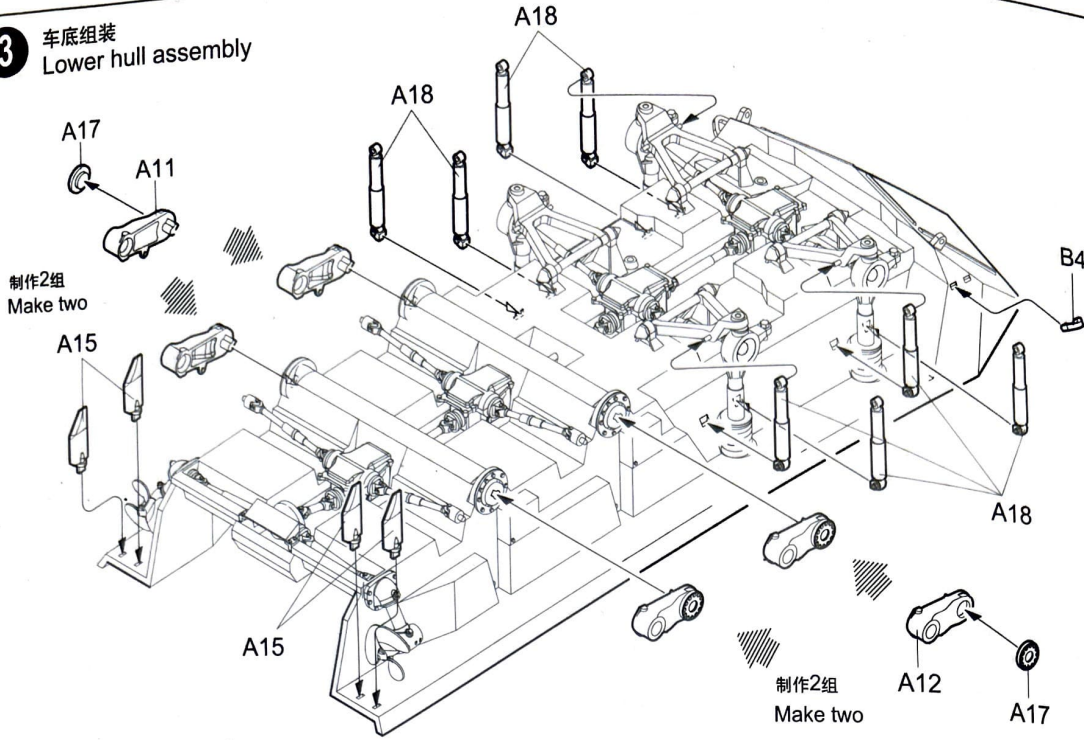
不用部品: C3X2, C4, C6, C7, C8, C9X2,
Unused parts C10, C15, C17, C19, C20X2, C21X2, C28, E2.



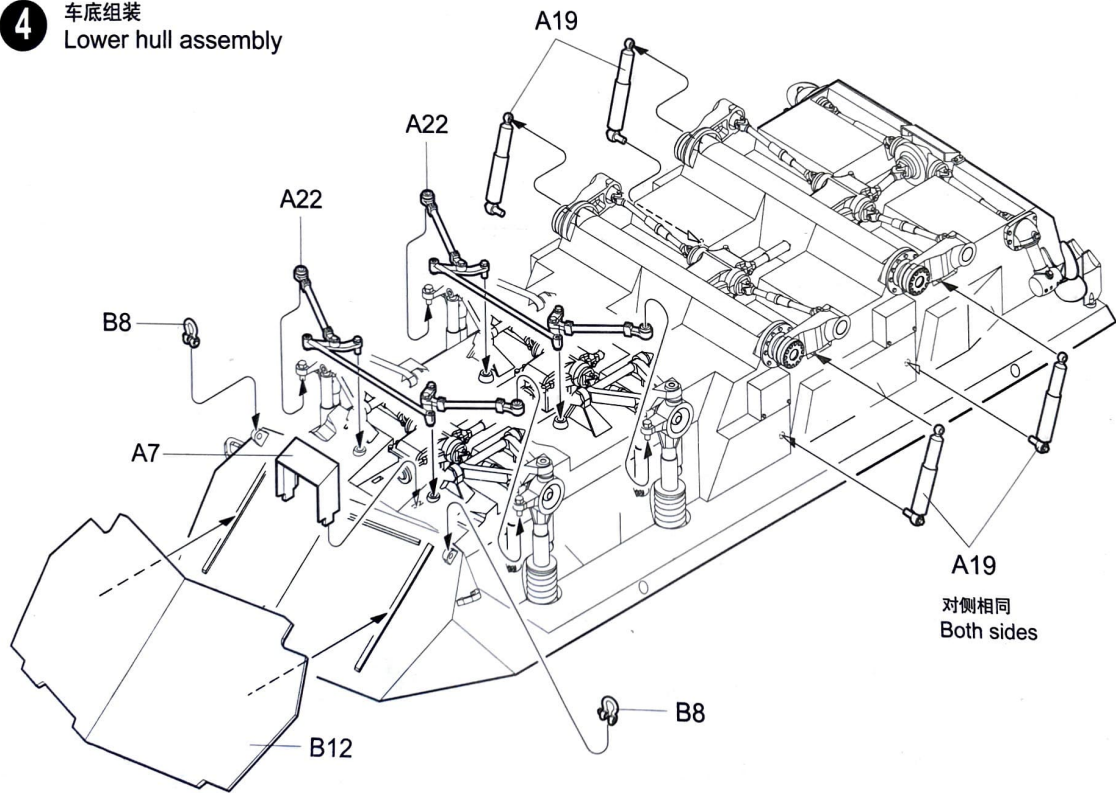
2 车底组装
Lower hull assembly



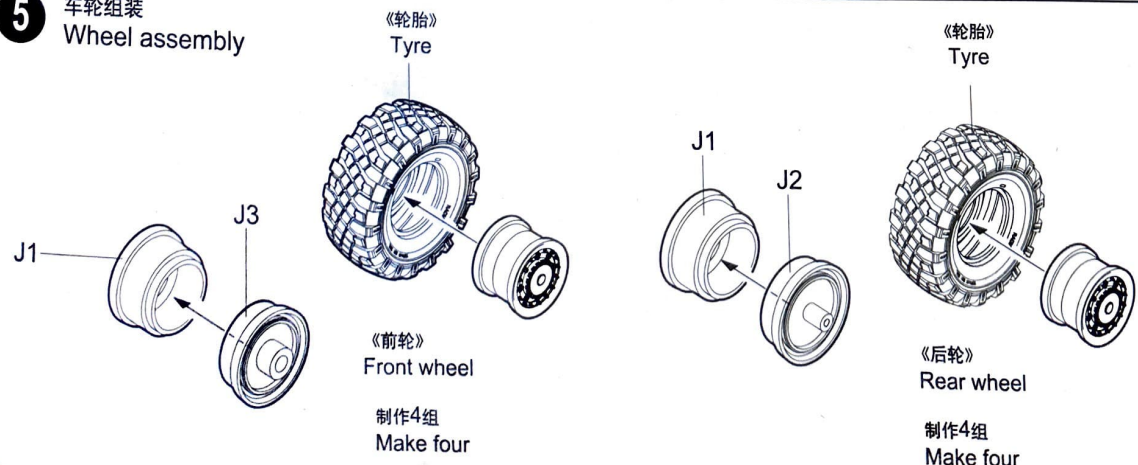
3 车底组装
Lower hull assembly



4 车底组装
Lower hull assembly



5 车轮组装
Wheel assembly



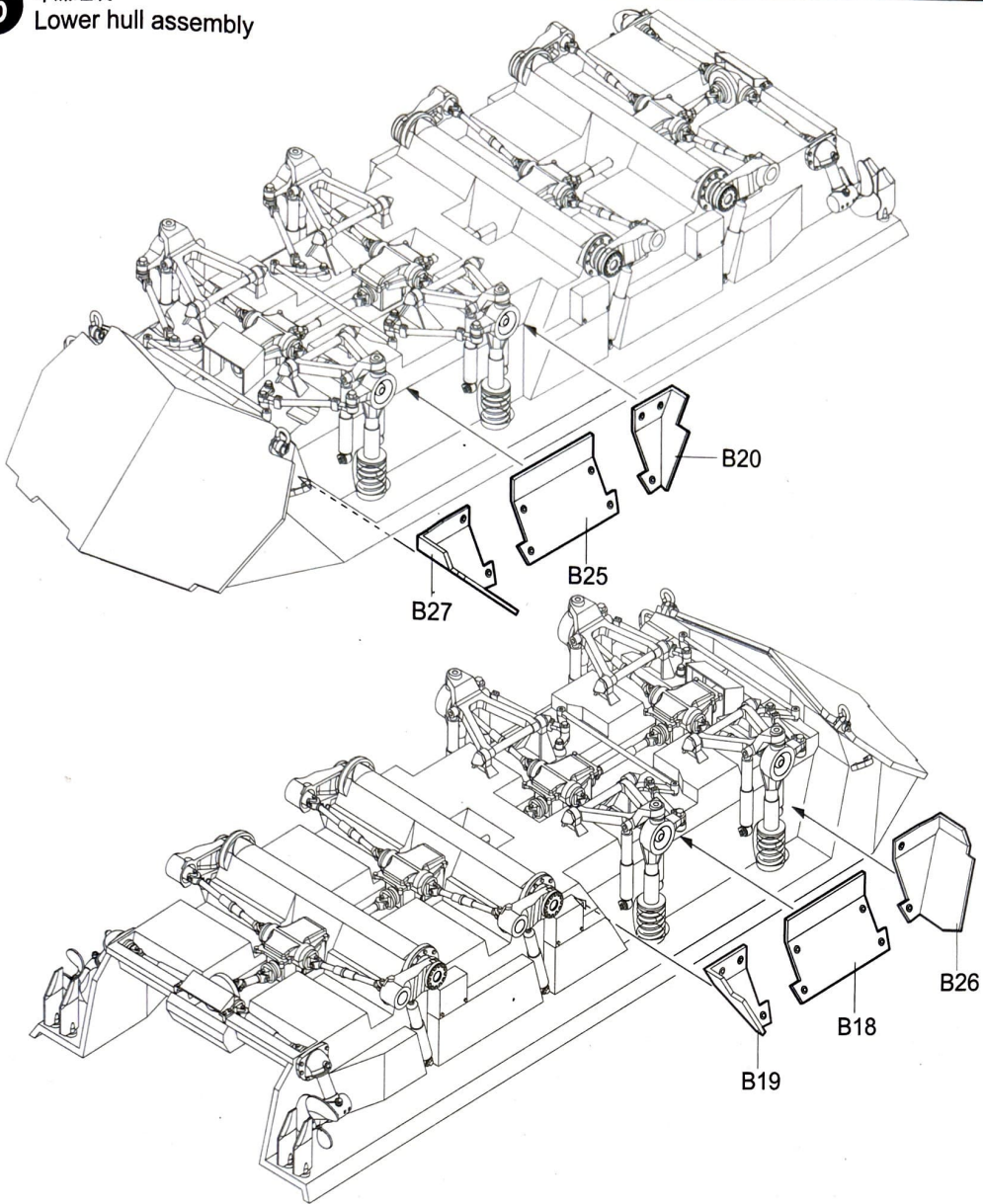
6 车底组装
Lower hu



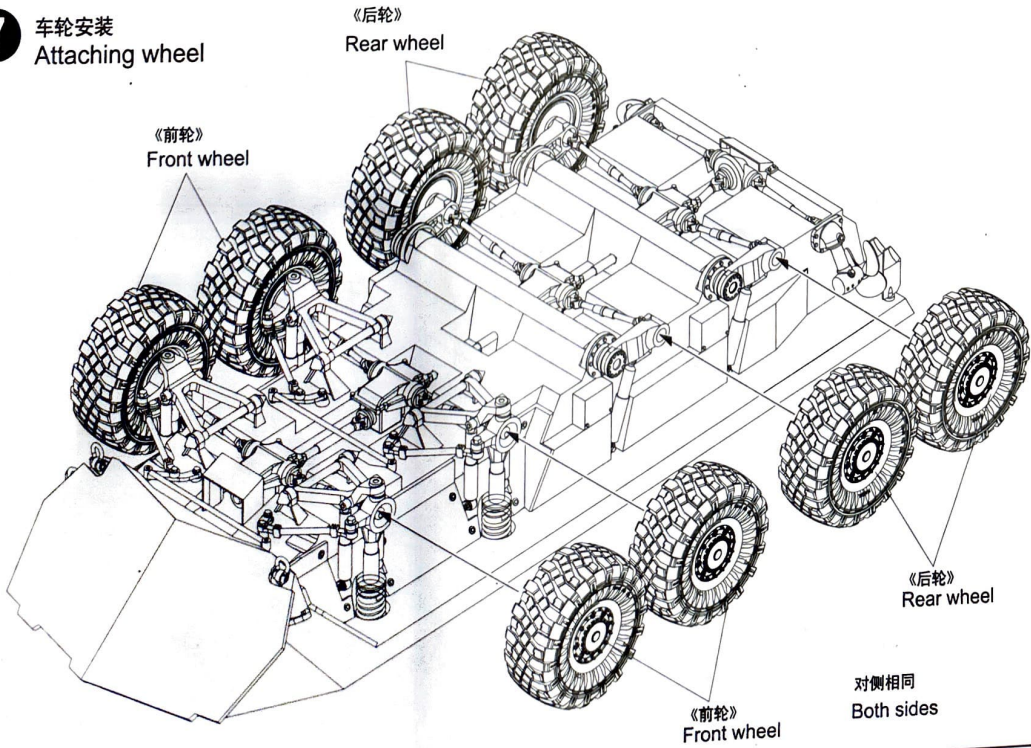
7 车轮安
Attac



6 车底组装
Lower hull assembly



7 车轮安装
Attaching wheel



3

3

(2)

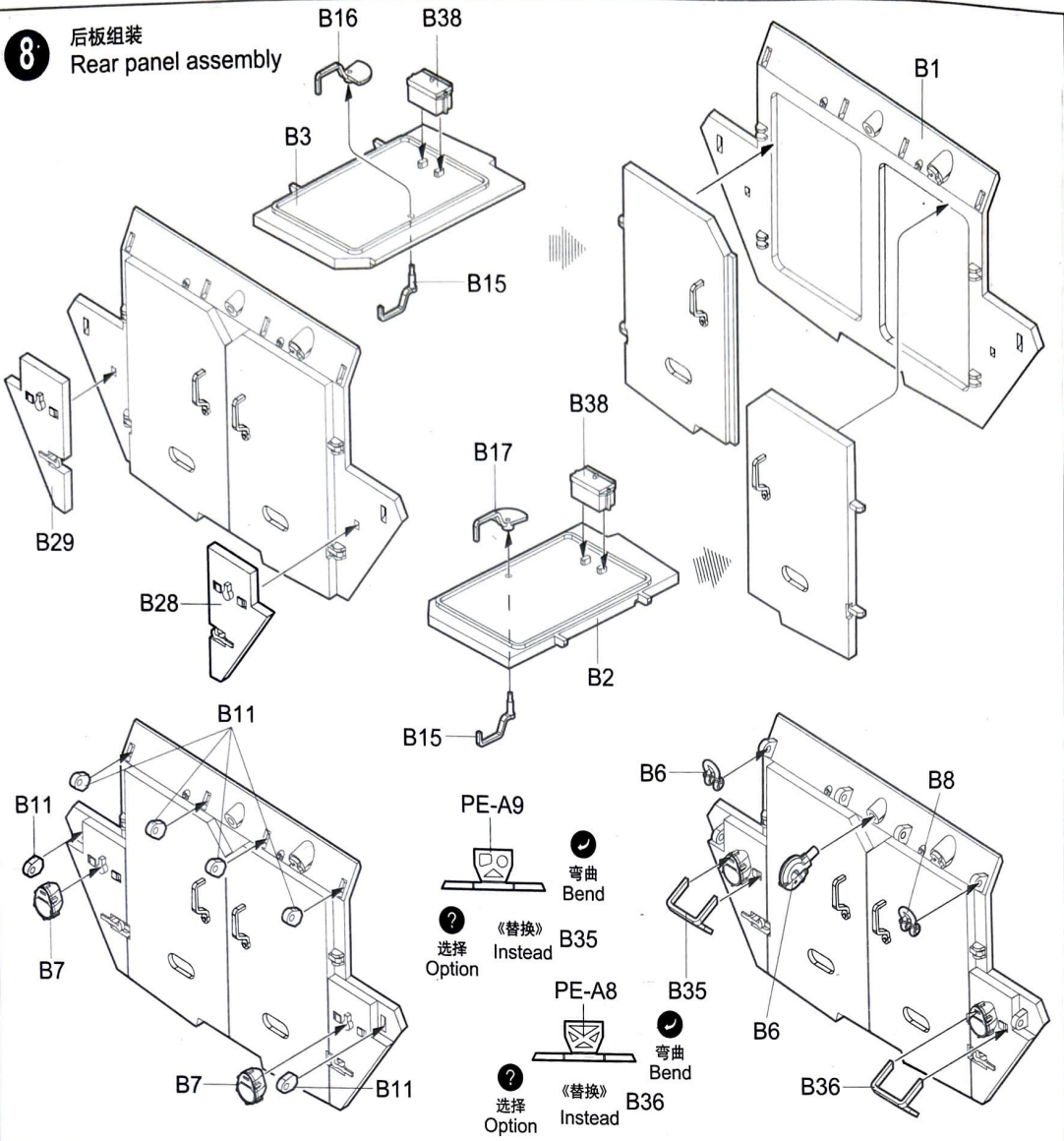
6

1(2)

4

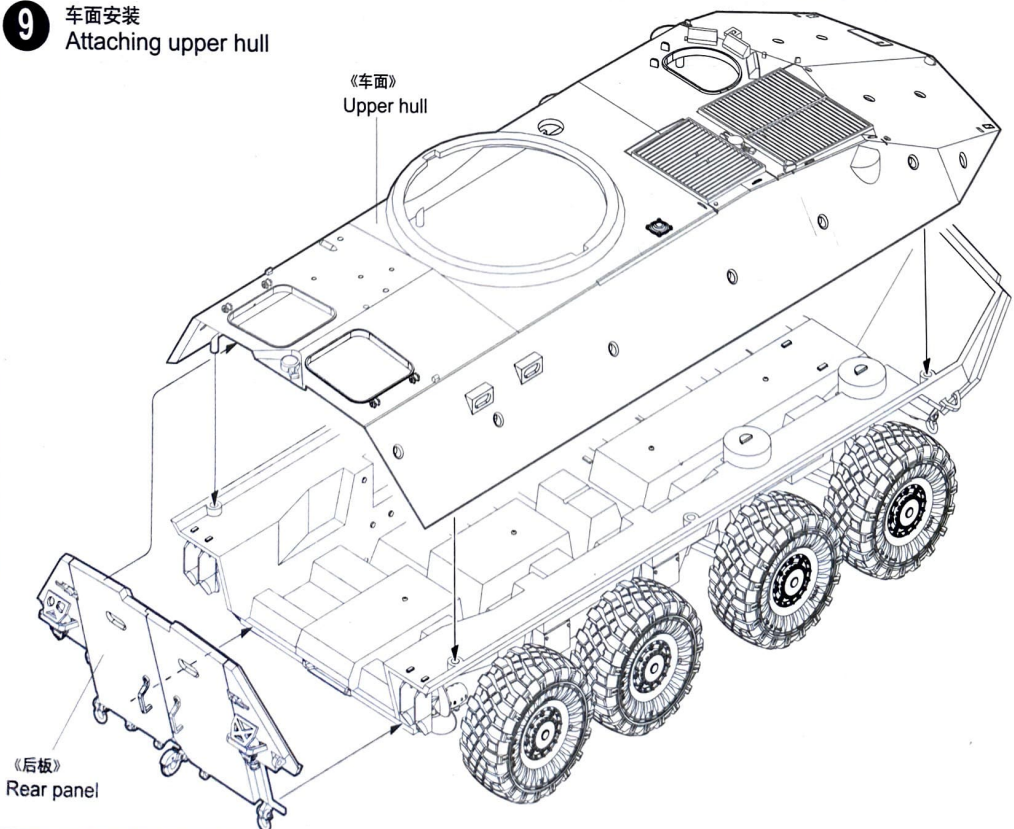
8

后板组装
Rear panel assembly

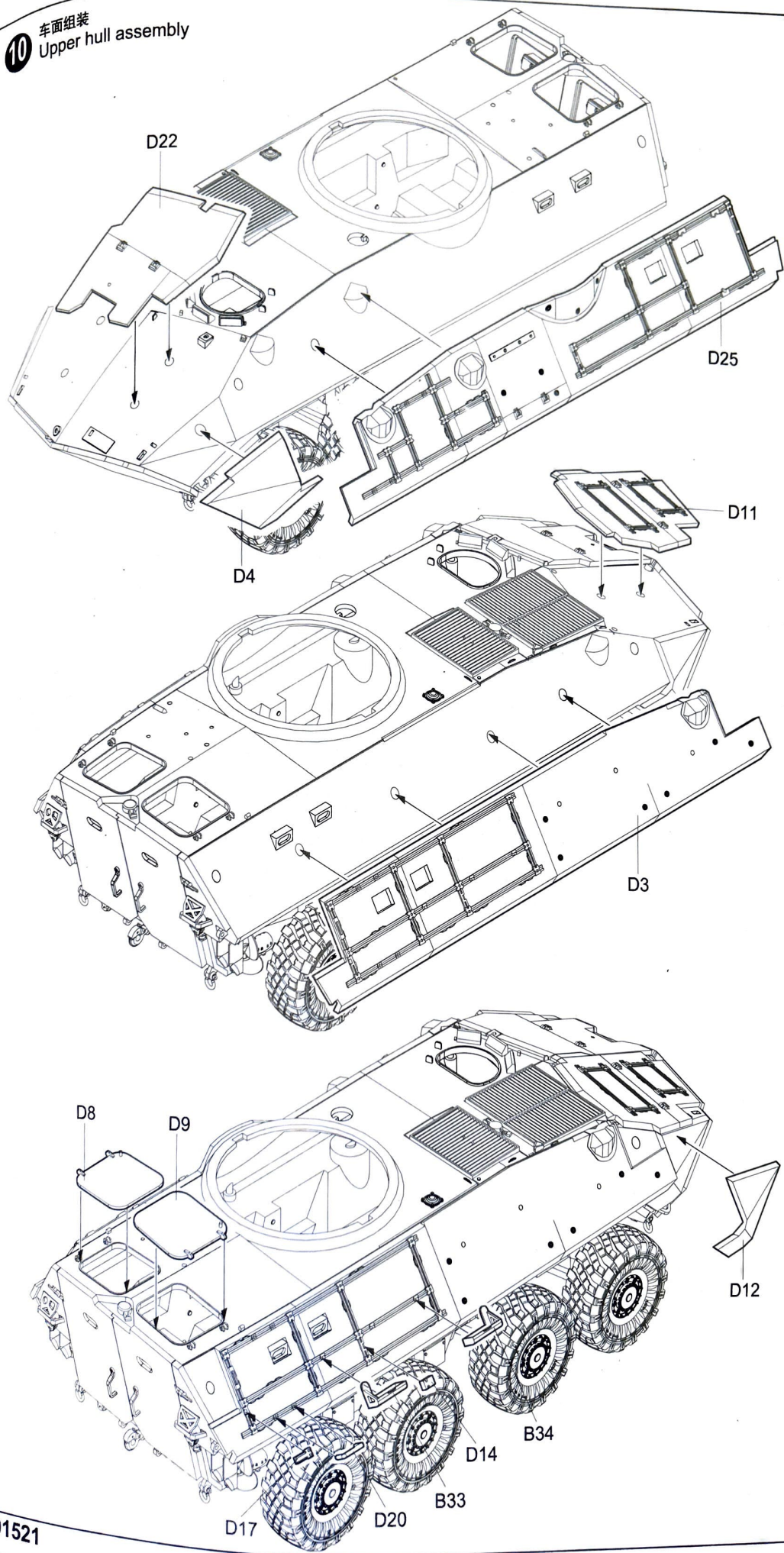


9

车面安装
Attaching upper hull

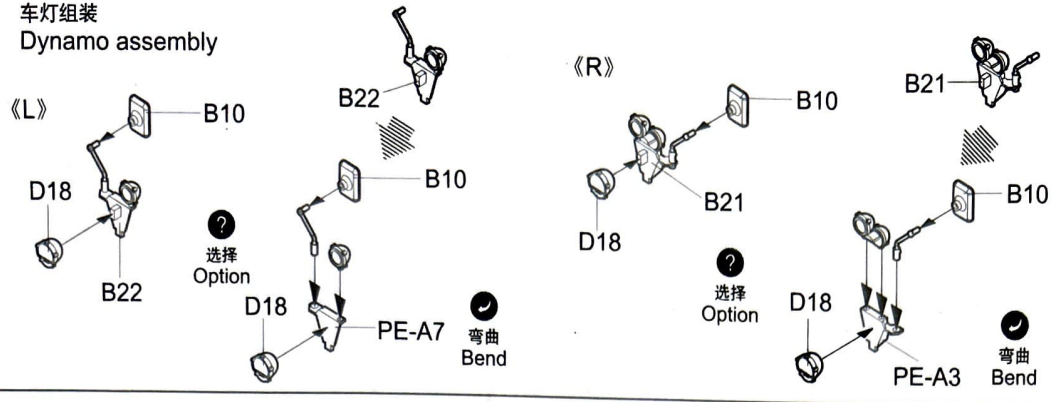


10 车面组装
Upper hull assembly

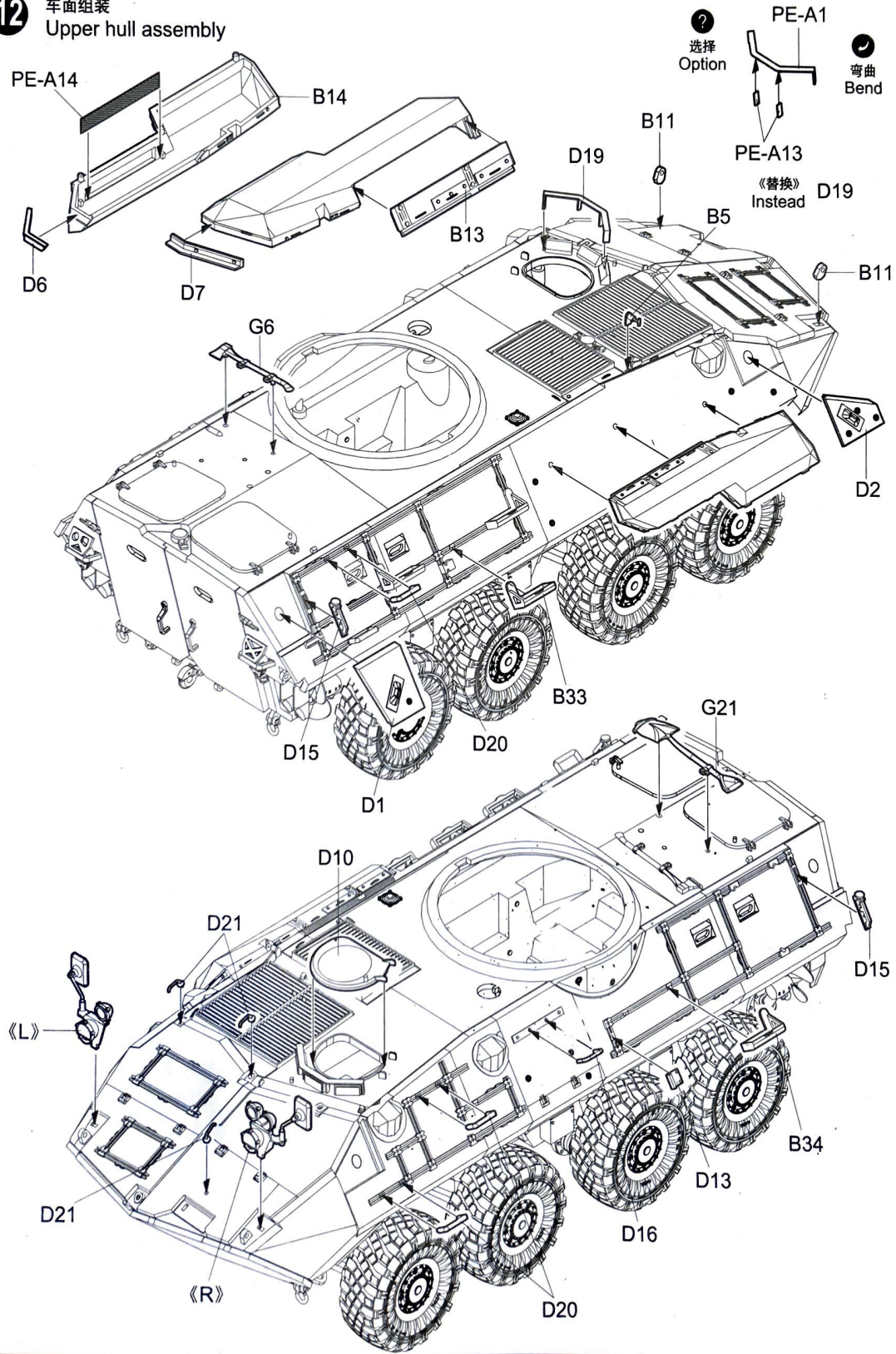


01521

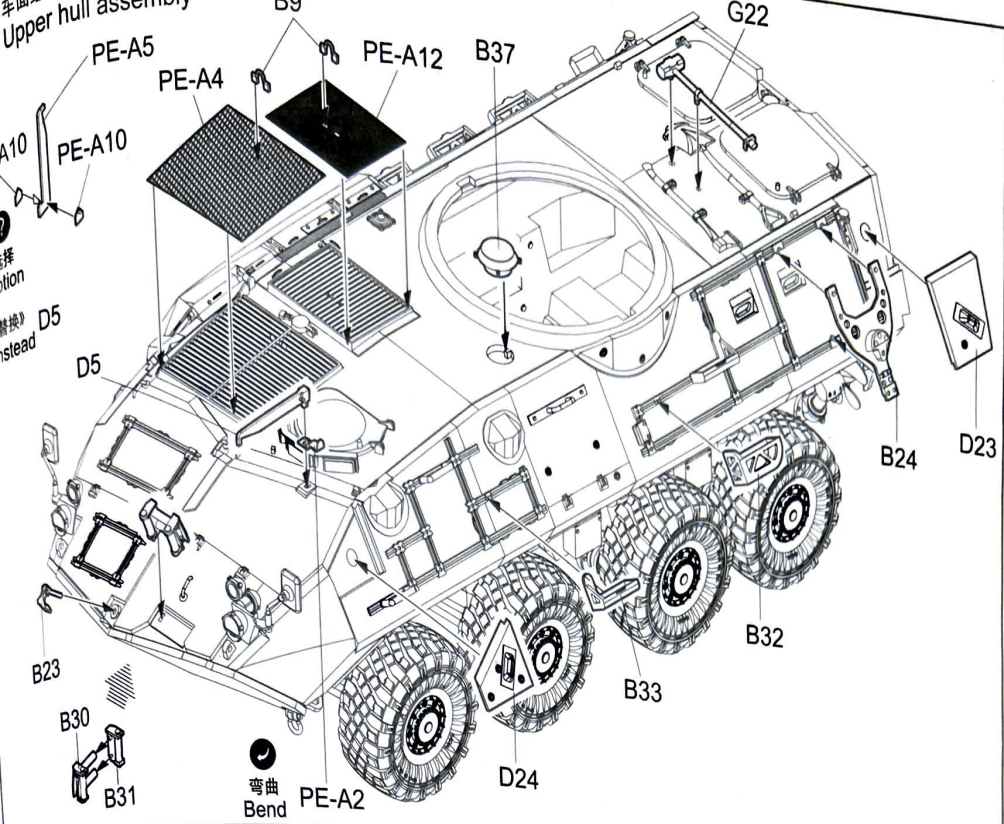
11 车灯组装
Dynamo assembly



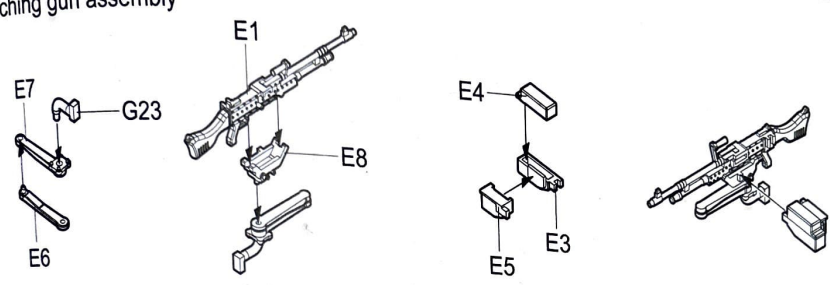
12 车面组装
Upper hull assembly



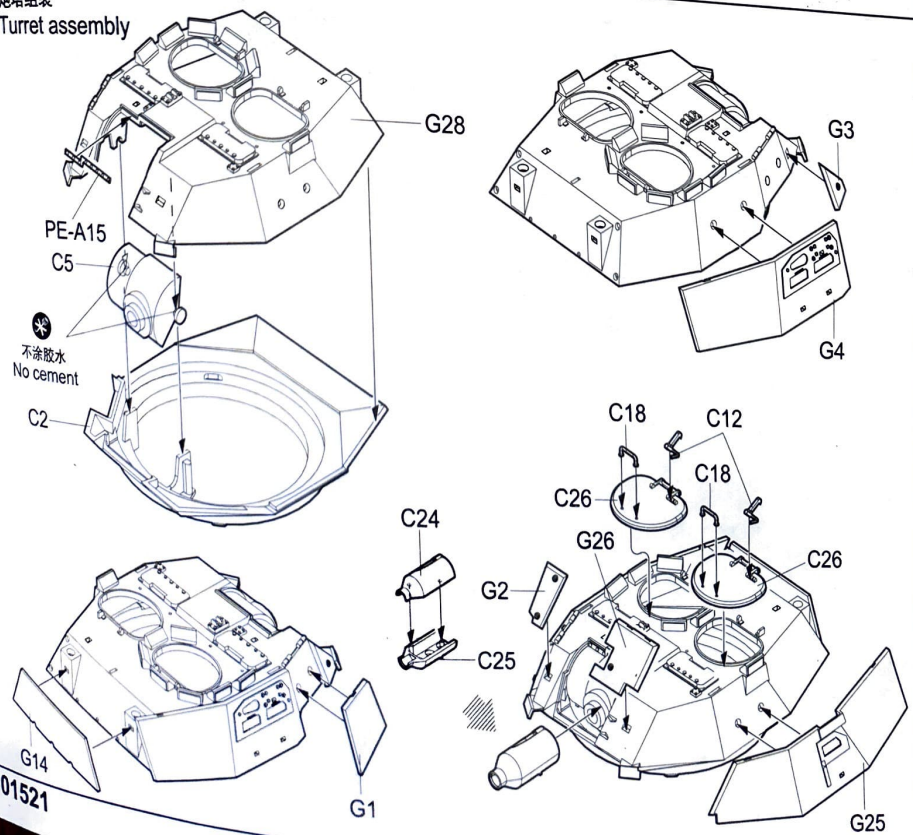
Upper hull assembly



14 机枪组装
Maching gun assembly

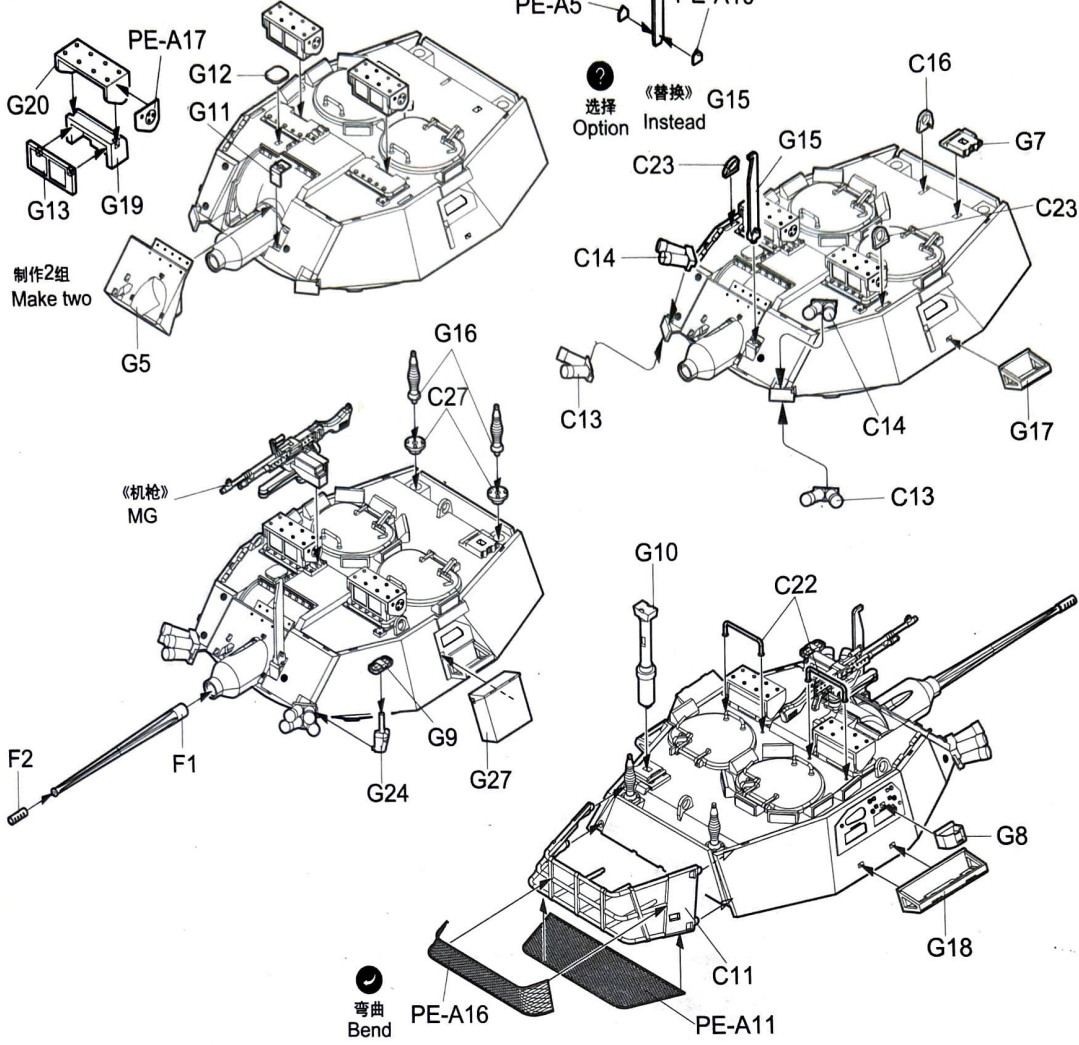


15 炮塔组装
Turret assembly

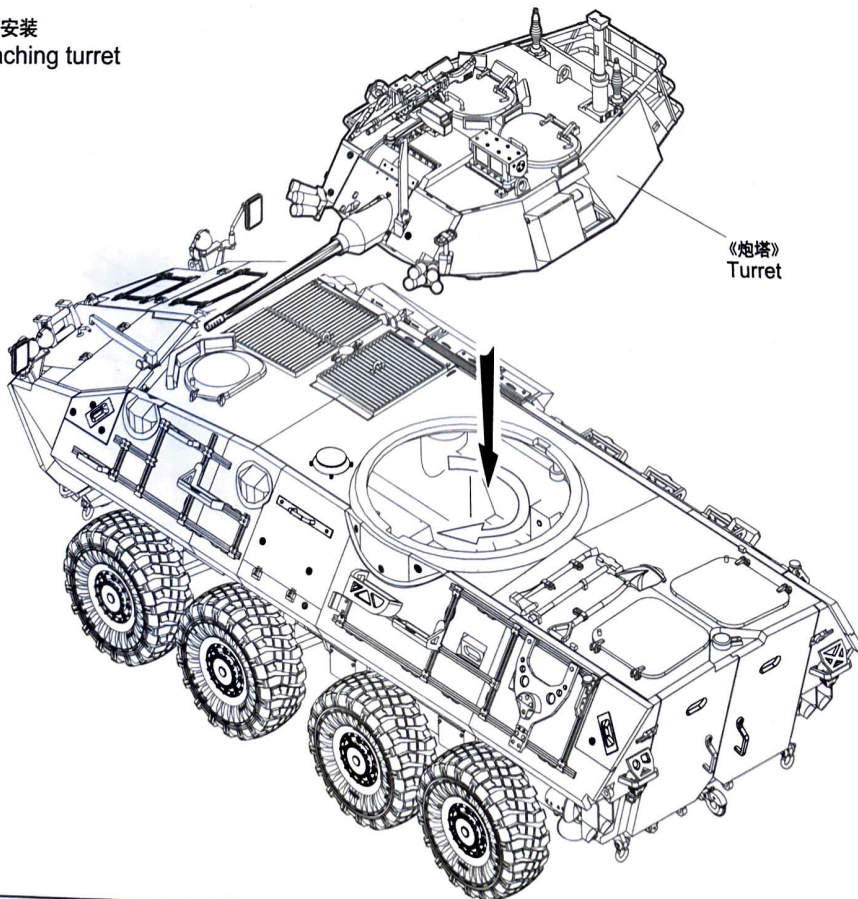


01521

16 炮塔组装
Turret assembly



17 炮塔安装
Attaching turret



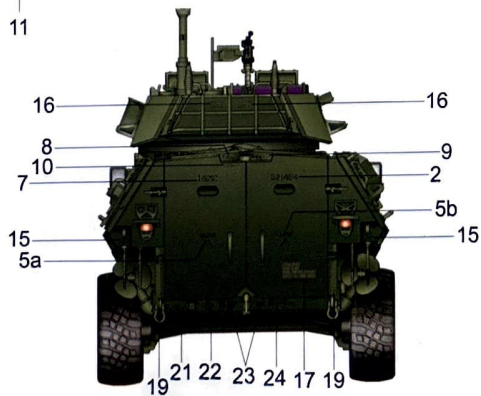
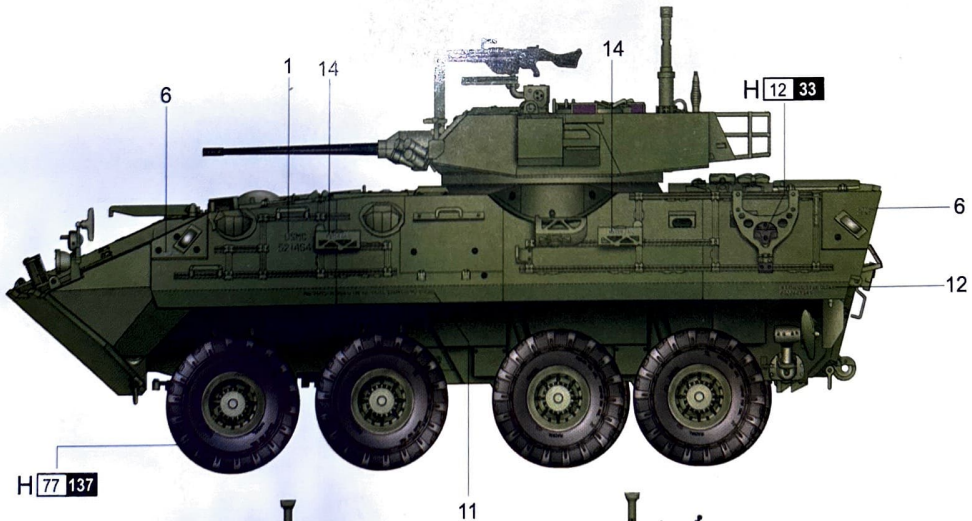
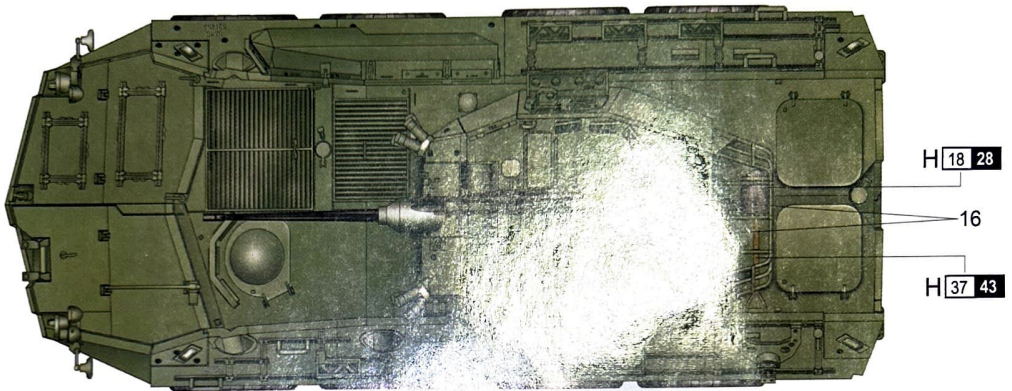
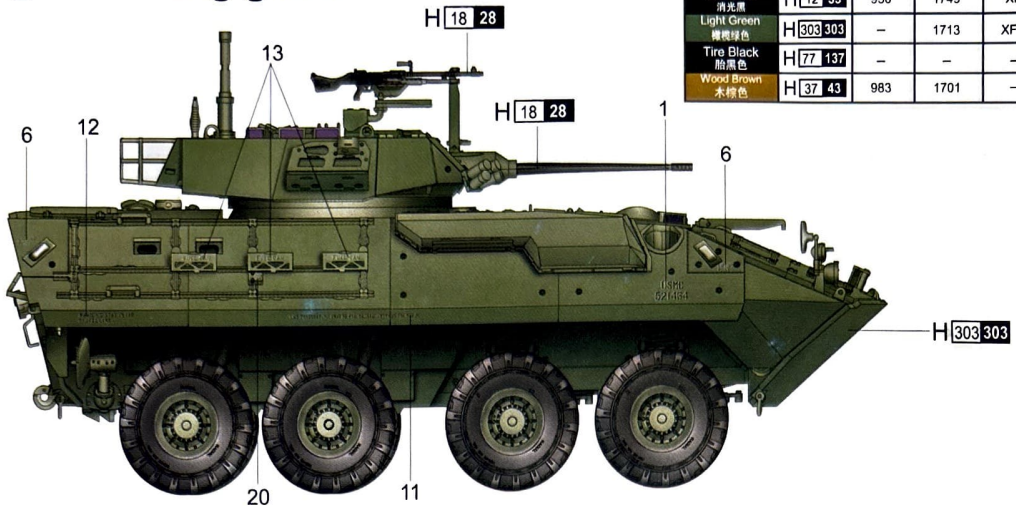
涂装同标贴指示

Painting & Marking guide

PAINT REFERENCE COLOUR

Color	Mr.Hobby	Vallejo	Model Master	Tamiya	Humbrol
Metal Black 扁铁色	H 18 28	864	1402	-	-
Flat Black 消光黑	H 12 33	950	1749	XF1	33
Light Green 橄榄绿色	H 303 303	-	1713	XF20	117
Tire Black 胎黑色	H 77 137	-	-	-	-
Wood Brown 木棕色	H 37 43	983	1701	-	186

A

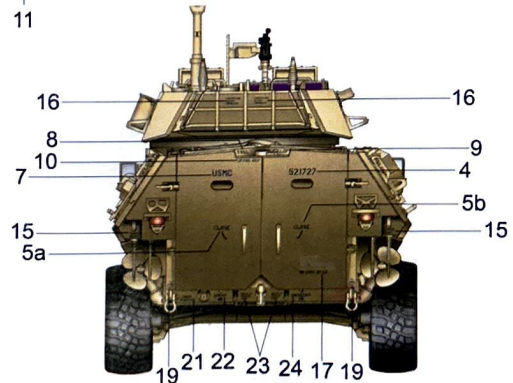
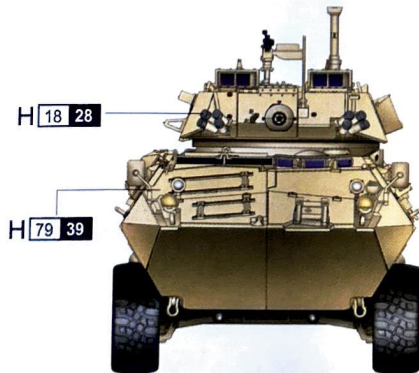
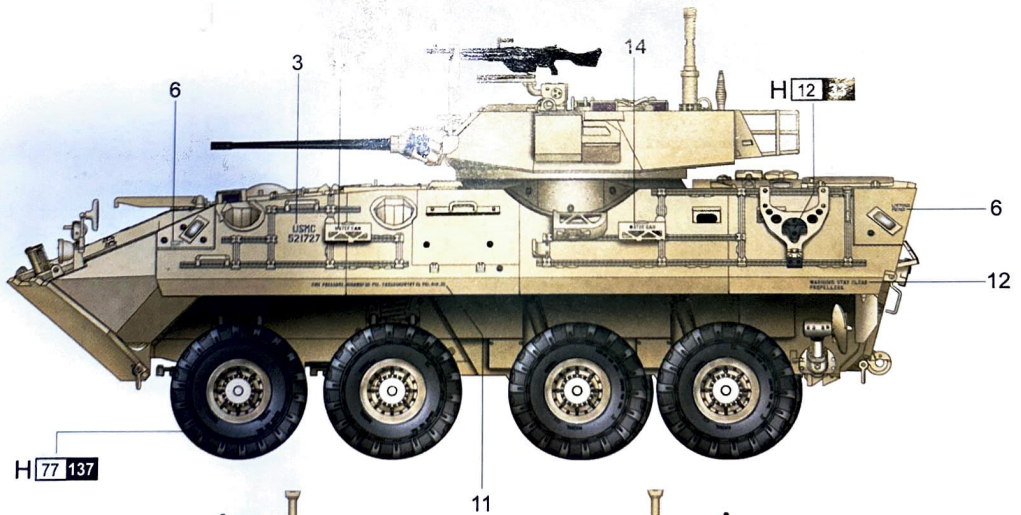
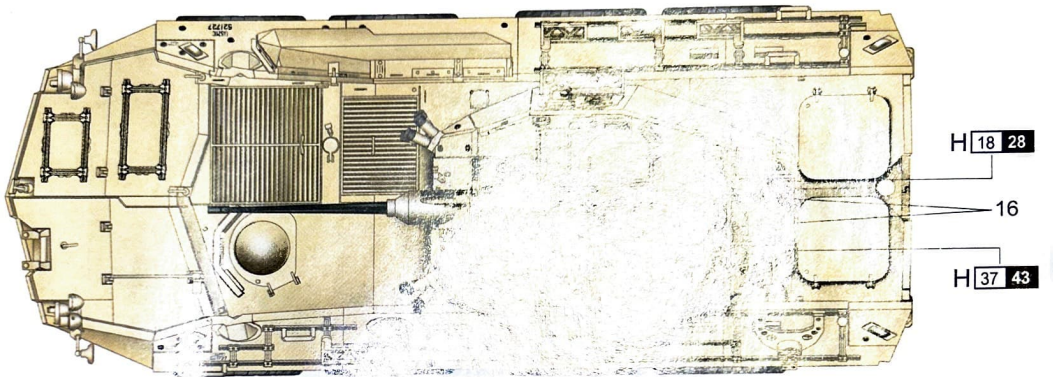
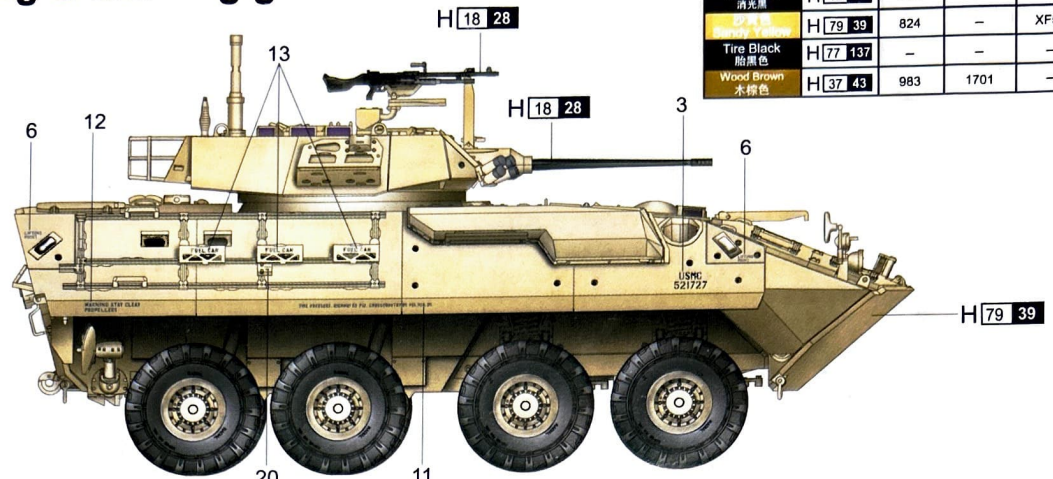


H AQUEOUS HOBBY COLOR ■ Mr. COLOR

涂装同标贴指示 Painting & Marking guide

PAINT REFERENCE COLOUR					
Color	Mr.Hobby	Vallejo	Model Master	Tamiya	Humbrol
Metal Black 黑铁色	H 18 28	864	1402	-	-
Flat Black 消光黑	H 12 33	950	1749	XF1	33
Dark Flat Black 消光黑	H 79 39	824	-	XF59	93
Tire Black 胎黑色	H 77 137	-	-	-	-
Wood Brown 木棕色	H 37 43	983	1701	-	186

B



H AQUEOUS HOBBY COLOR ■ Mr. COLOR

01521 1/35 LAV-A2 Armoured vehicle