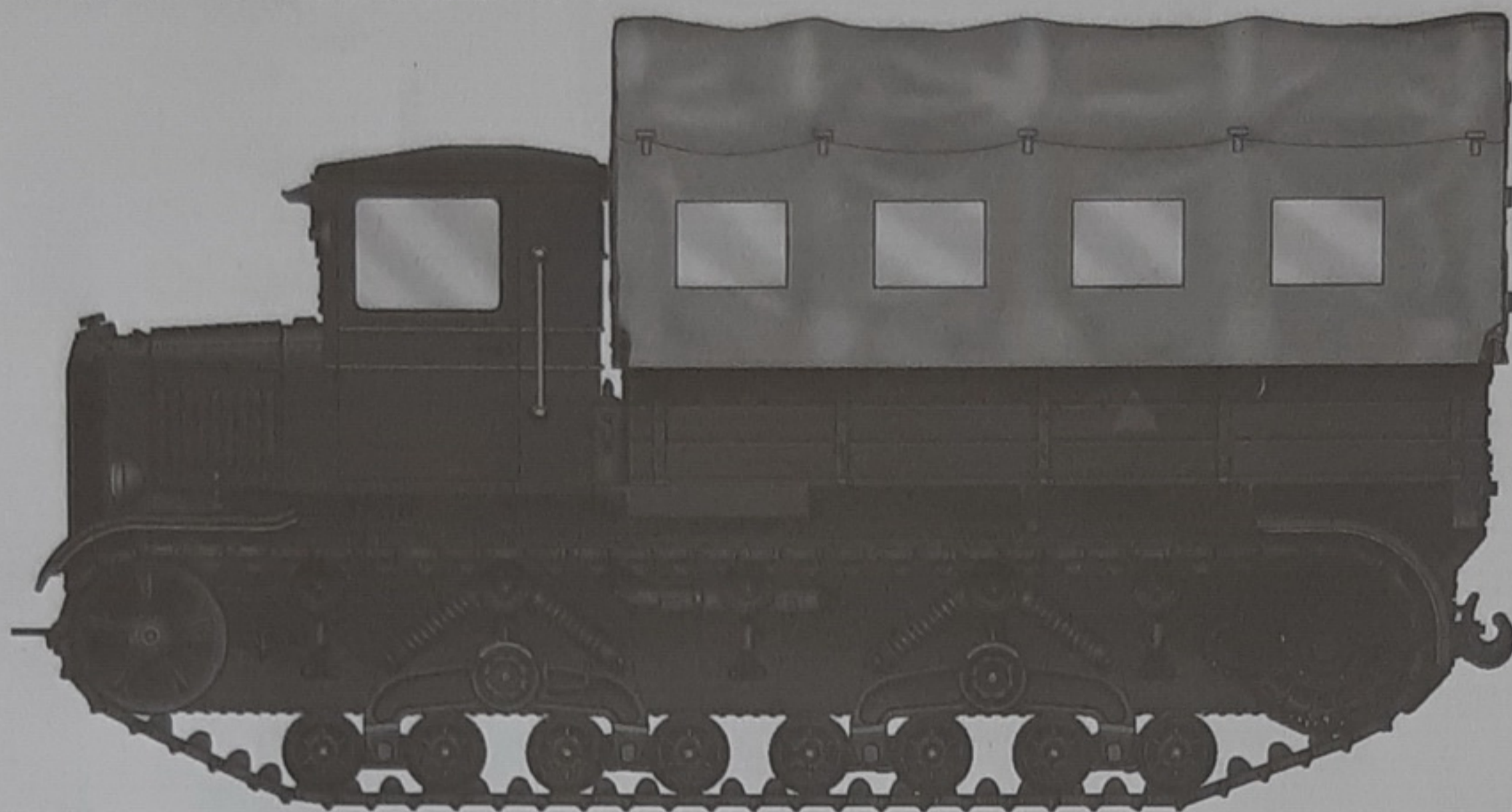


Russian Voroshilovets Tractor

苏联“伏罗希洛夫”重型火炮牵引车



READ BEFORE ASSEMBLY:

- Study and understand these instructions thoroughly before beginning assembly
- When needed, remove photo-etch parts carefully using a modeling knife or photo etch sprue cutter, being careful not to damage or lose small parts.
- Take extra care in handling photo etch parts in order to avoid injury
- Apply instant cement sparingly to photo etch parts where instructed
- Tools recommended(not included in kit):Plastic and instant cements, sprue cutters,long nose pliers,modeling knife, small files, tweezers, pin vise & scissors. Soft cloth and sandpaper will also assist in construction
- Glue and paint are not included in the kit. Use plastic cement and hobby paints only. Color guide for purchasing paint is included in the kit.

装配之前仔细阅读

- 小心用模型锉刀锉平所有零件表面的注射浇口。
- 小心用刀片切下蚀刻片零件，不要遗失小零件。
- 用强力快干胶水粘合蚀刻片零件和金属轴。过量快干胶水使用可能导致可动零件会粘住，小心涂胶。
- 取蚀刻片时应特别注意安全，防止利边划伤手指。
- 某些零件表面需贴上水贴纸，请选择在装配的同时进行。
- 推荐模型工具(自备)：胶水，水口剪刀，长咀钳，刀片，锉刀，镊子，钳，钻，剪刀，瞬间快干胶。
- 软布同砂纸同时也应该是必备工具。
- 请使用塑料胶水和油漆，模型内不含。



配重
Weight



使用强力胶
Cyanoacrylate glue



钻孔
Make hole



切除
Cut / Remove



贴纸
Decal



锉平
File / Sand



选择
Option



不涂胶水
No cement



弯曲
Bend

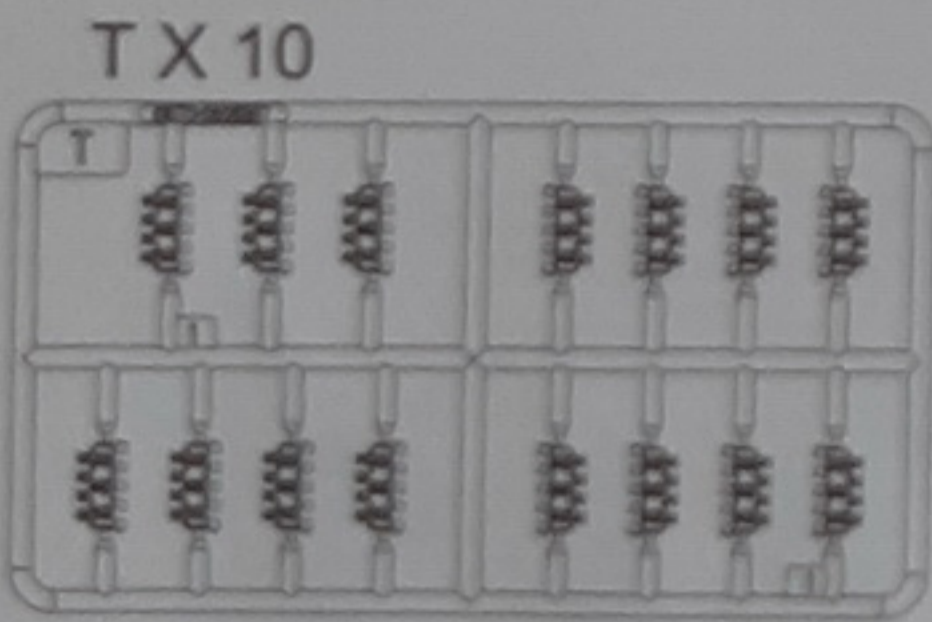
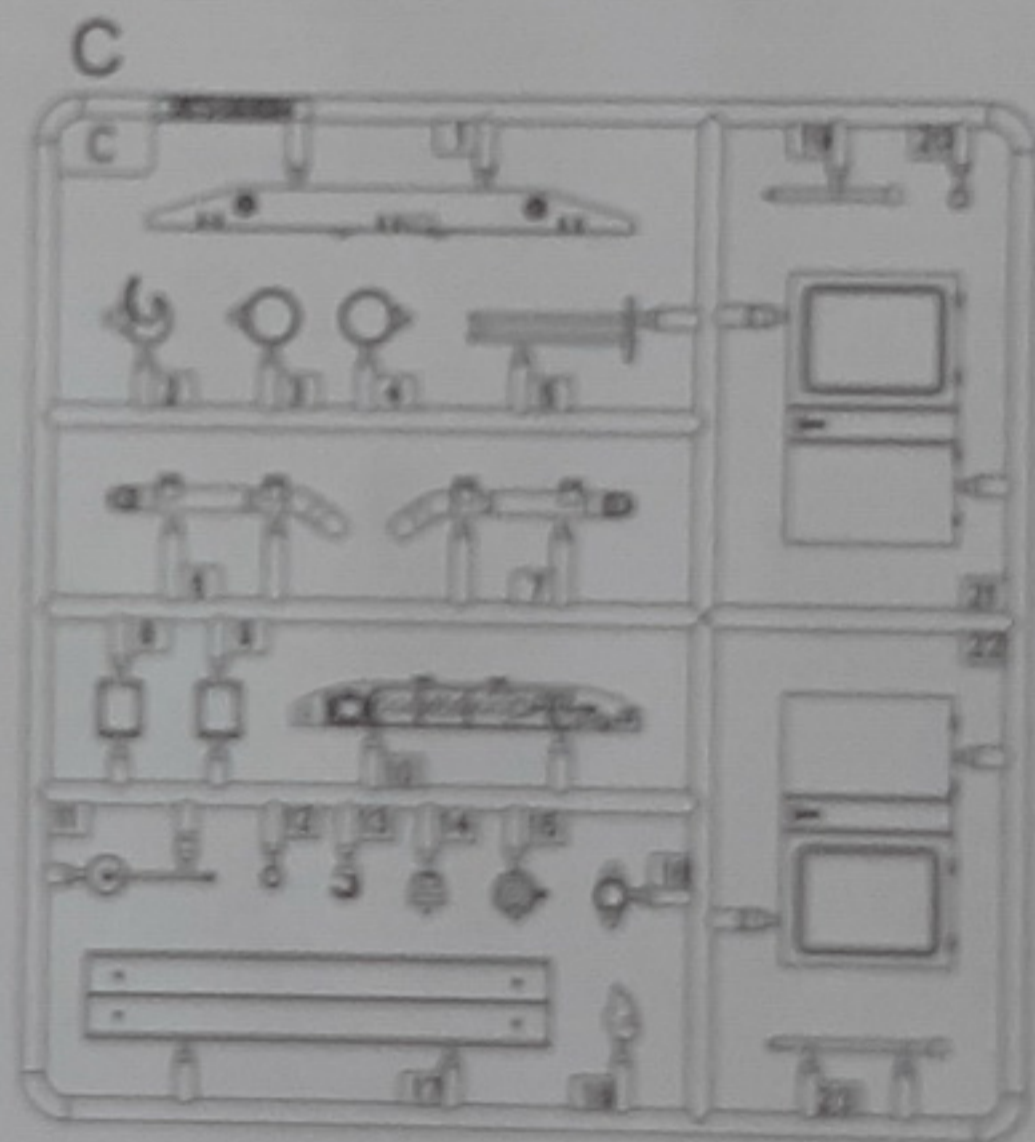
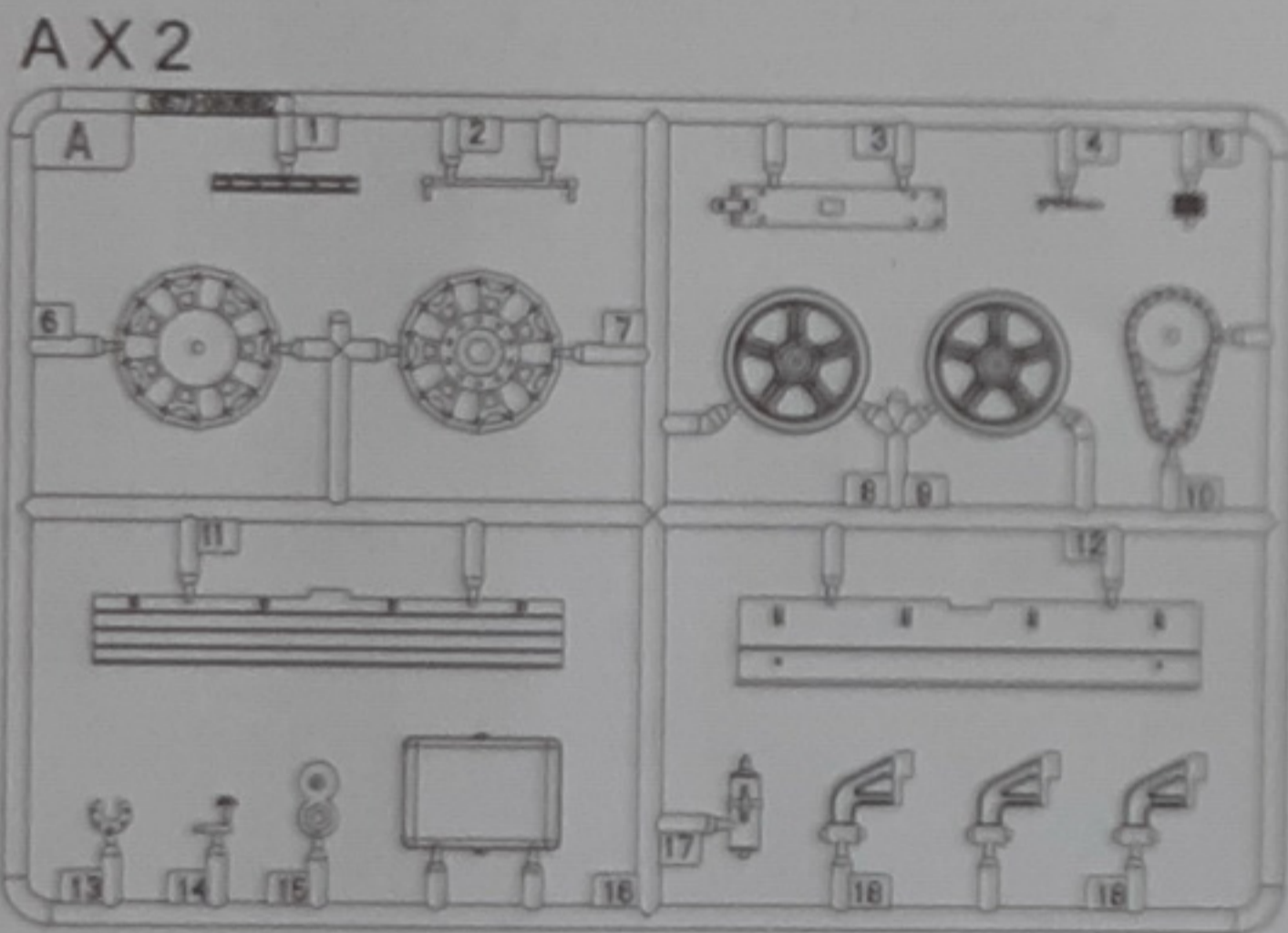
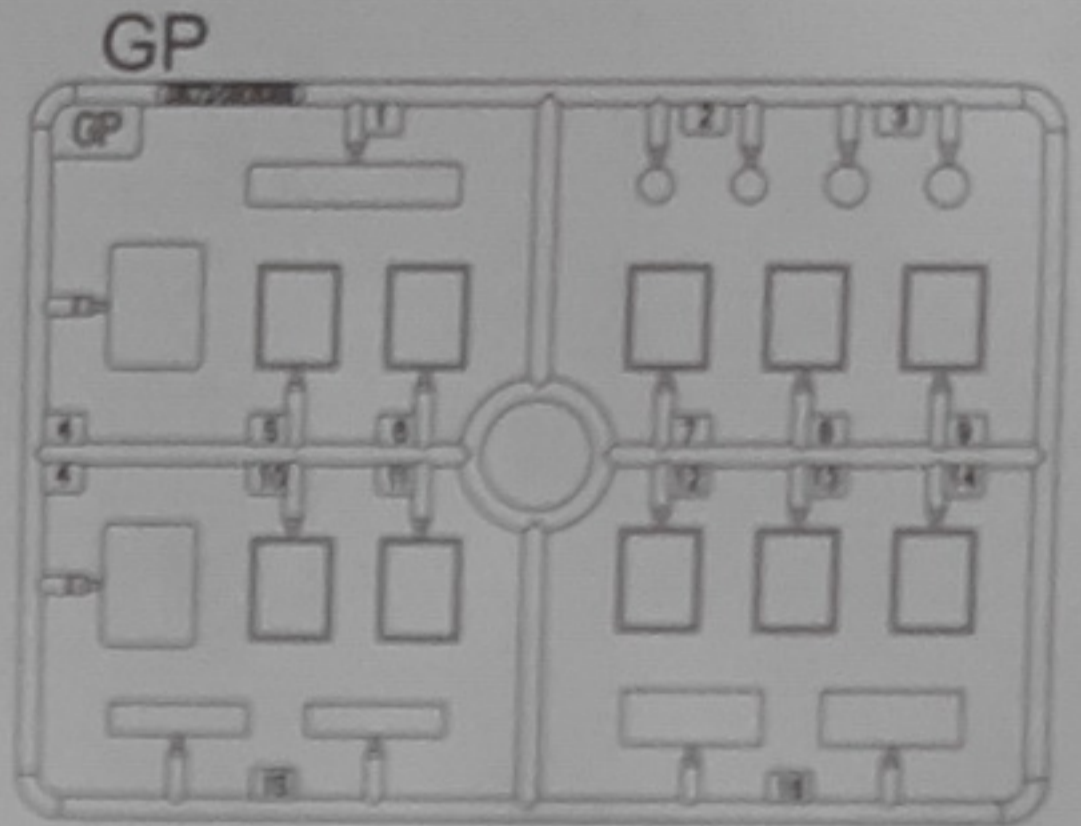
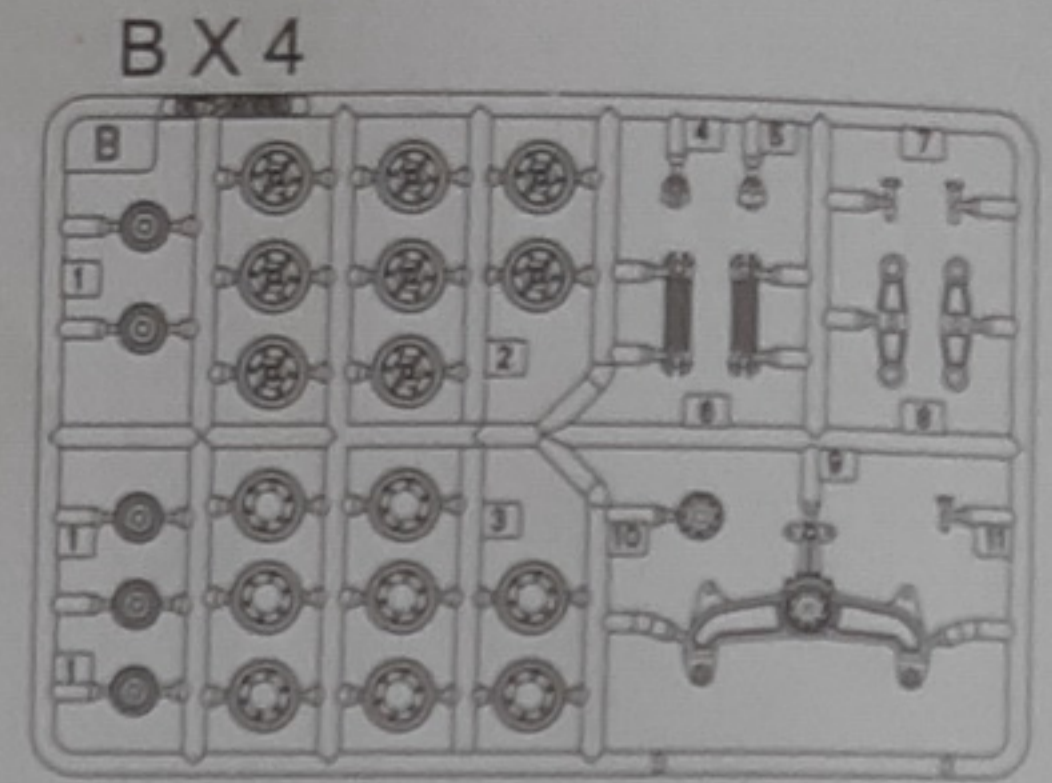
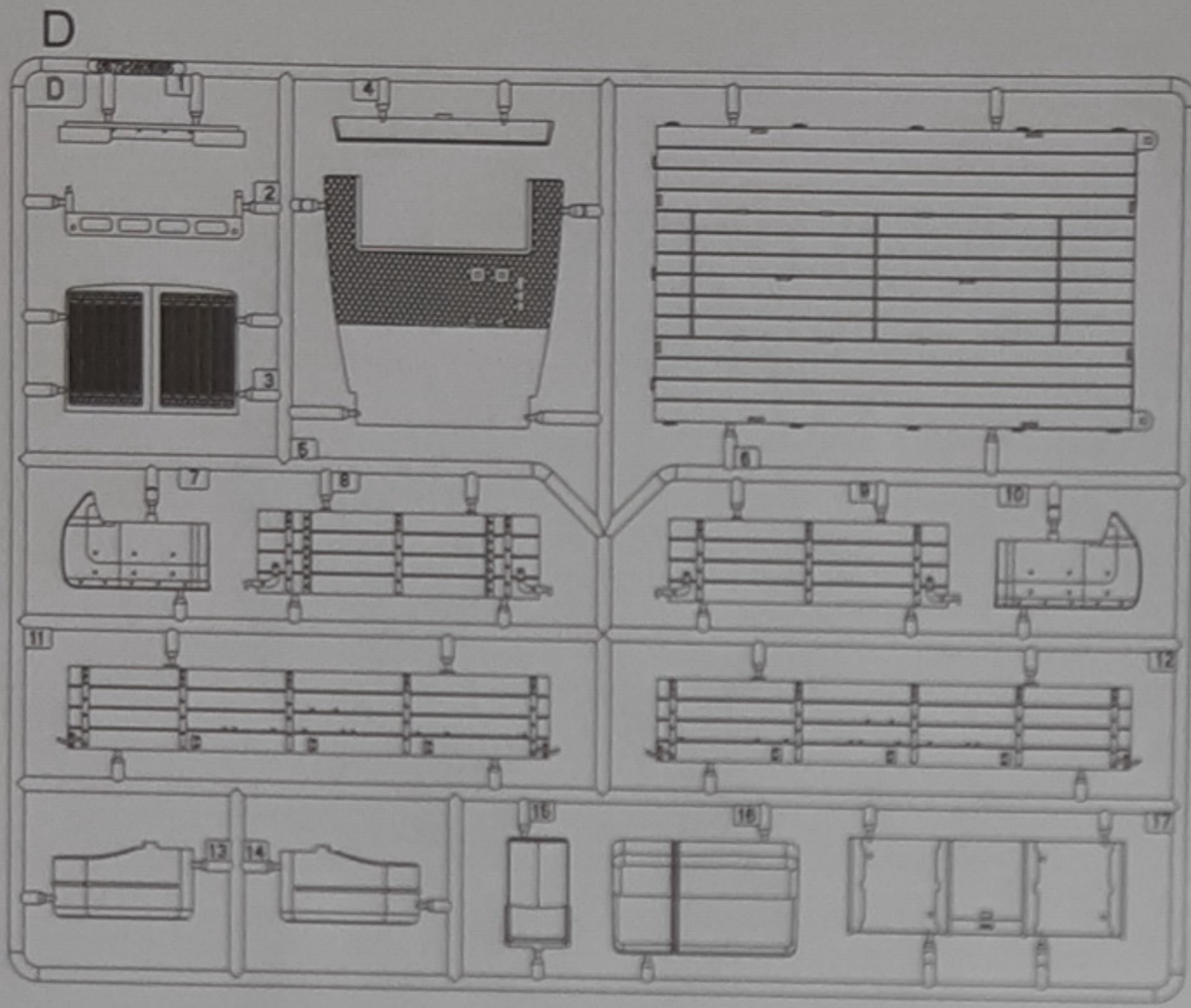
水贴纸的使用:

- 1.从水贴上剪下印花;
- 2.将印花放入温水中浸10秒,然后放在干净布上。
- 3.拿着印花纸板将印花移到模型上;
- 4.手指蘸水将印花移到适当的位置;
- 5.用软布轻压印花直至水干,汽泡消失

DECAL APPLICATION

- 1.Cut decals from sheet as needed
- 2.Dip the decal in warm water for about 10 seconds and then place on soft clean cloth.
- 3.Hold the decal backing sheet edge and gently slide the decal onto the model in its proper position.
- 4.While still wet,decal can be adjusted for better fit on model by dampening it gently with your finger.
- 5.When placed in the proper position,gently press decal down with a soft cloth until excess water and air bubbles are gone.
- 6.Allow decal to dry completely before handling model

部品图 Parts



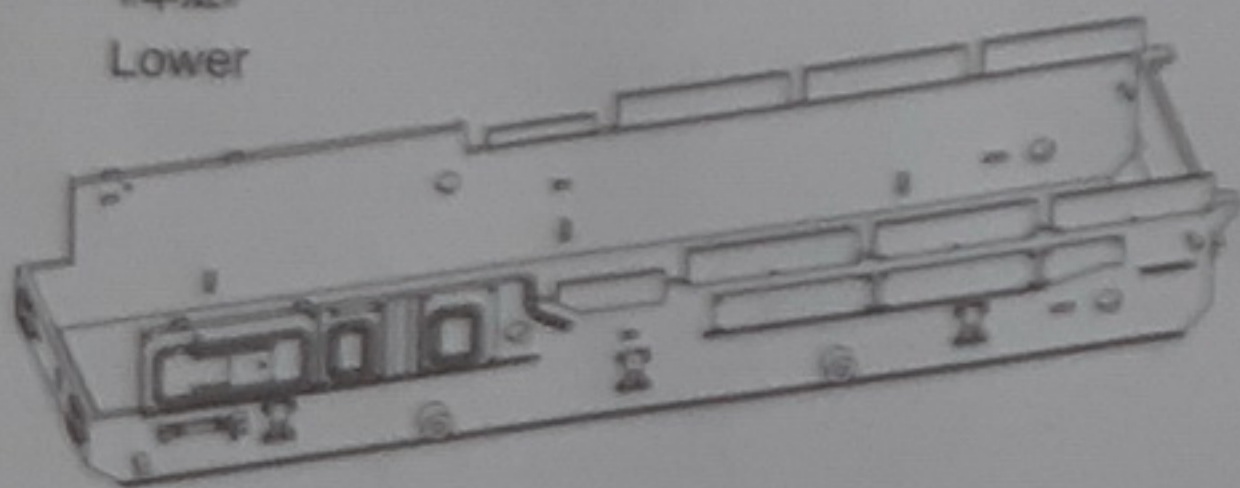
(发动机盖)
Bonnet



(车盖)
Calash



(车底)
Lower



(驾驶室)
Cab

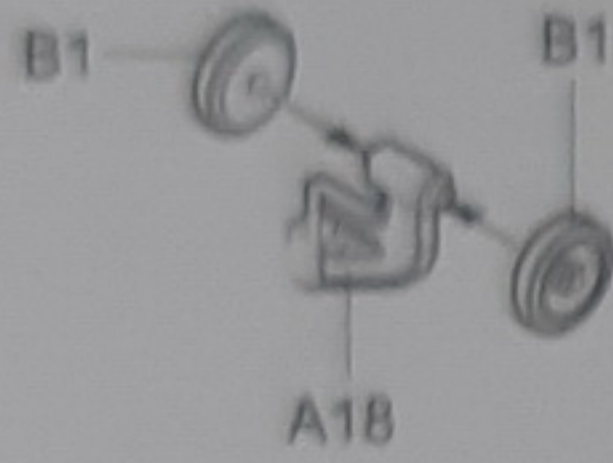


(贴纸)
Decal



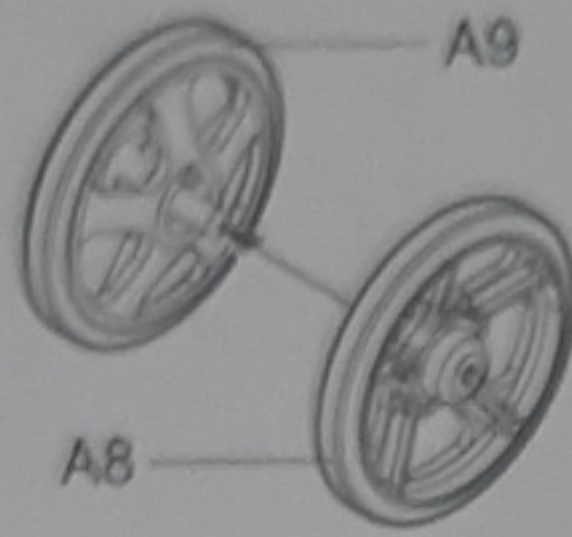
1

《支撑轮》
Support wheel



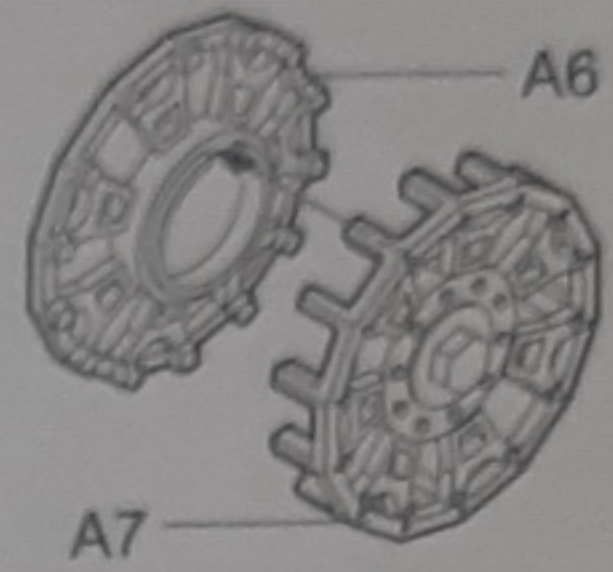
《制作6组》
Make SIX

《导引轮》
Idler wheel



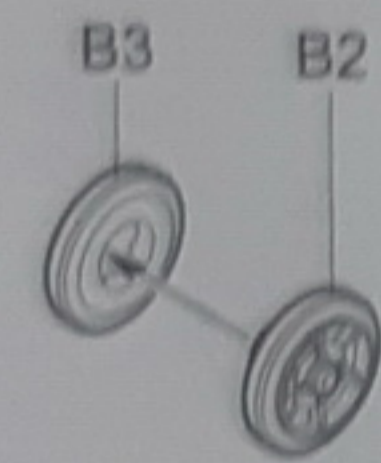
《制作2组》
Make two

《主动轮》
Drive sprocket

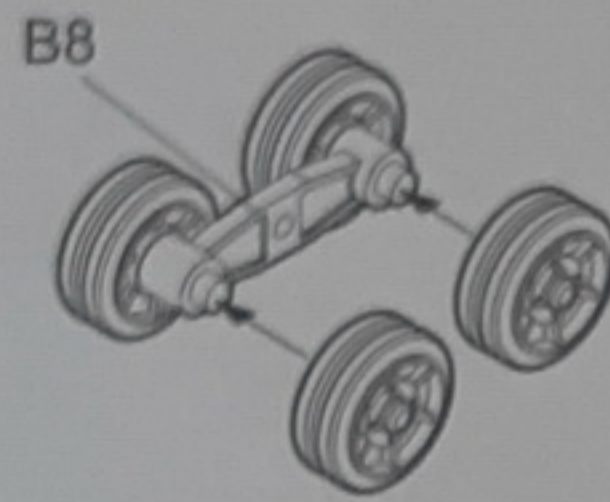


《制作2组》
Make two

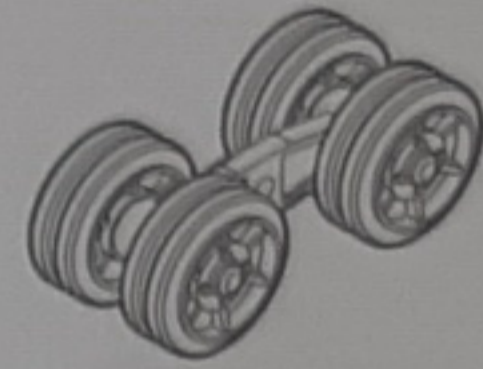
2



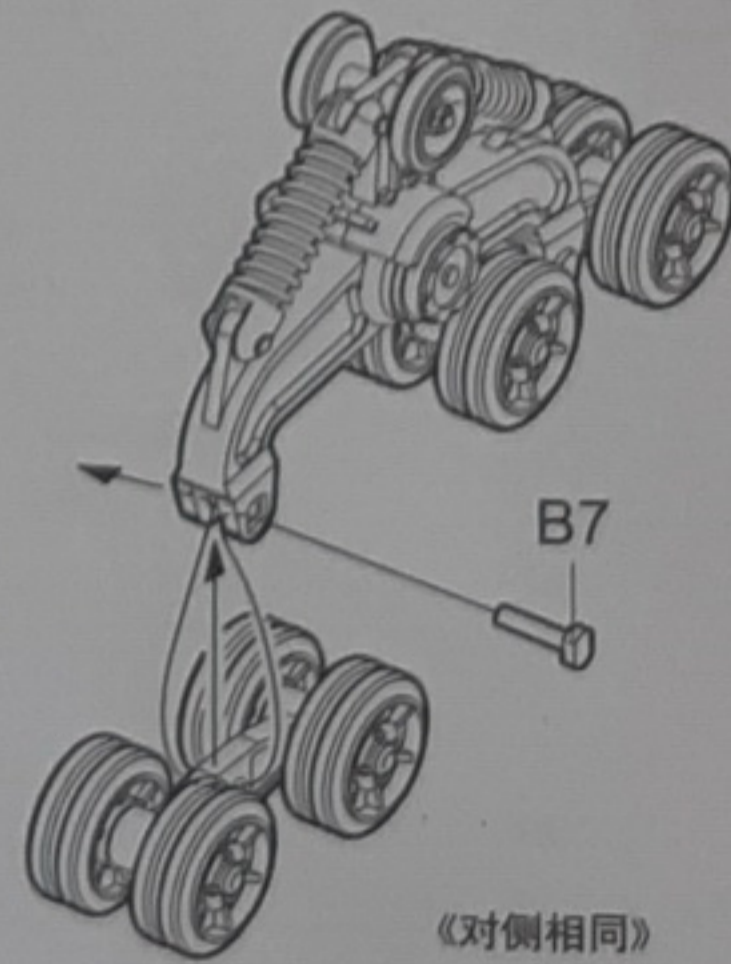
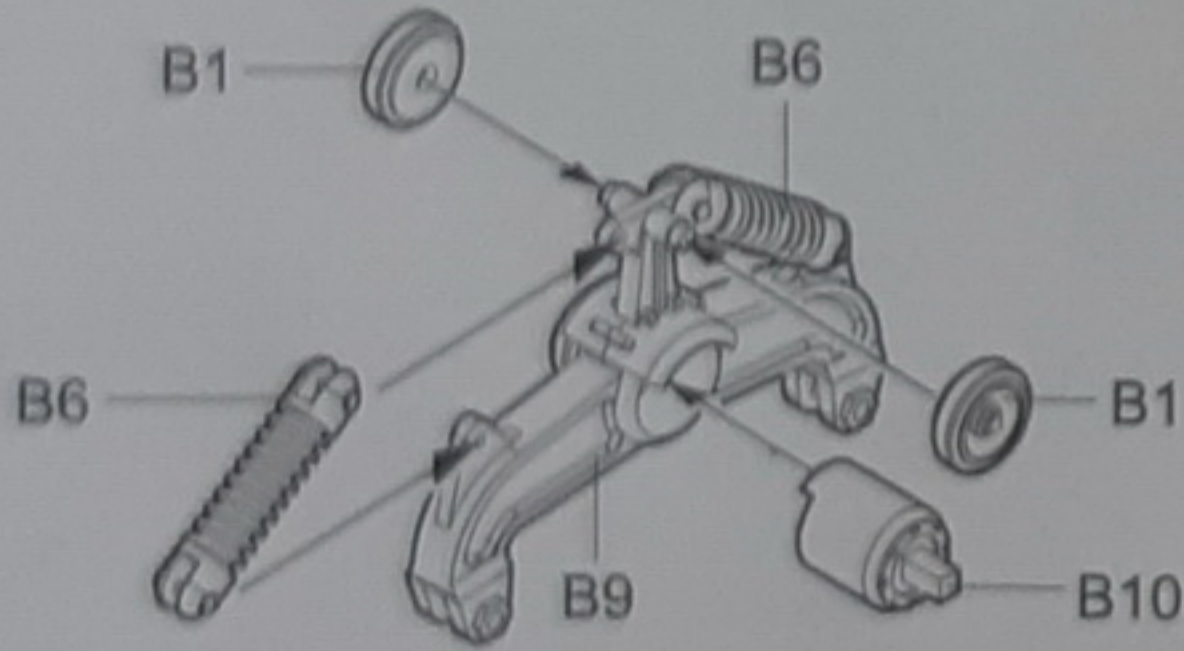
《制作32组》
Make thirty two



《对侧相同》
Both sides

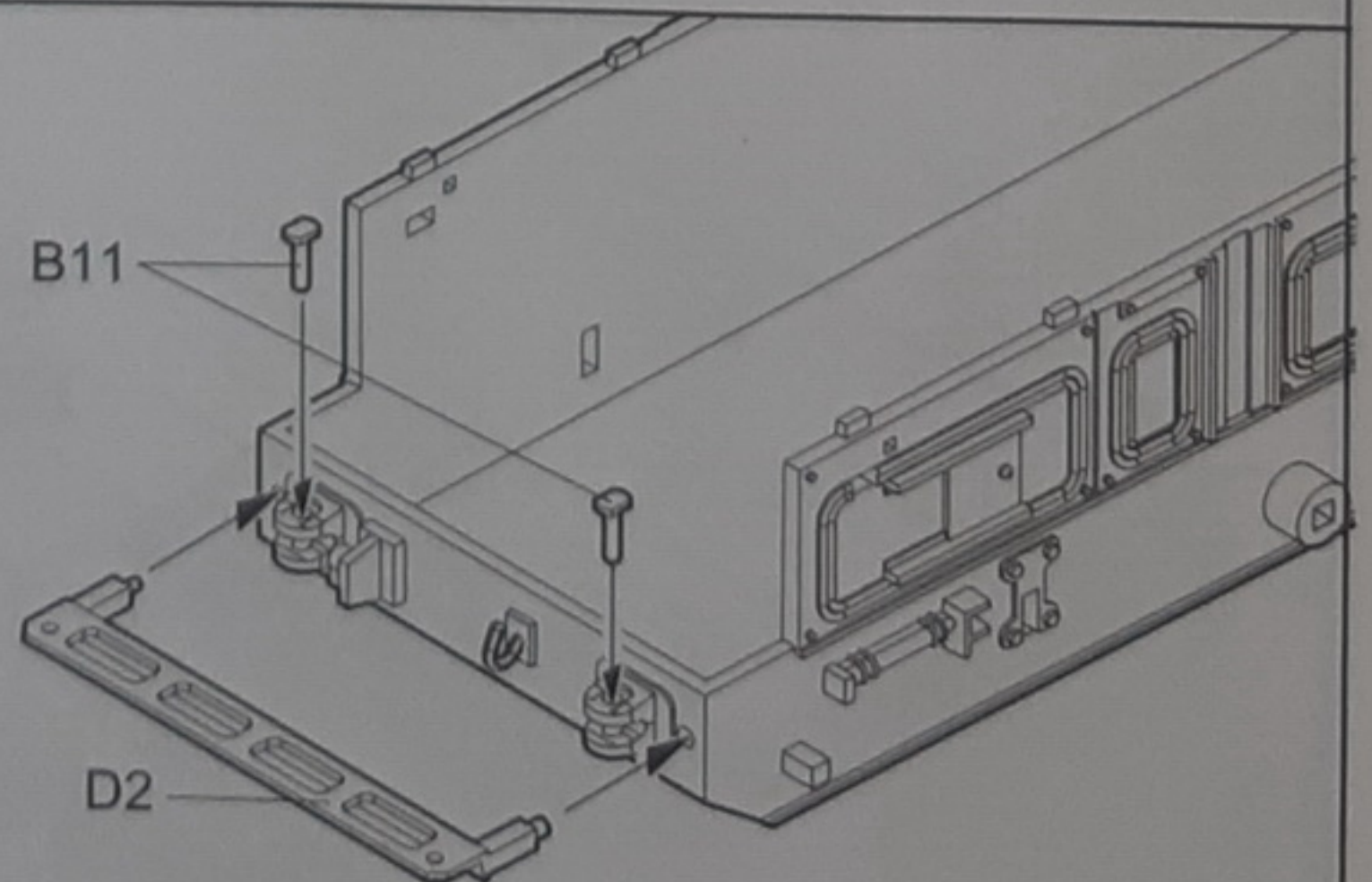
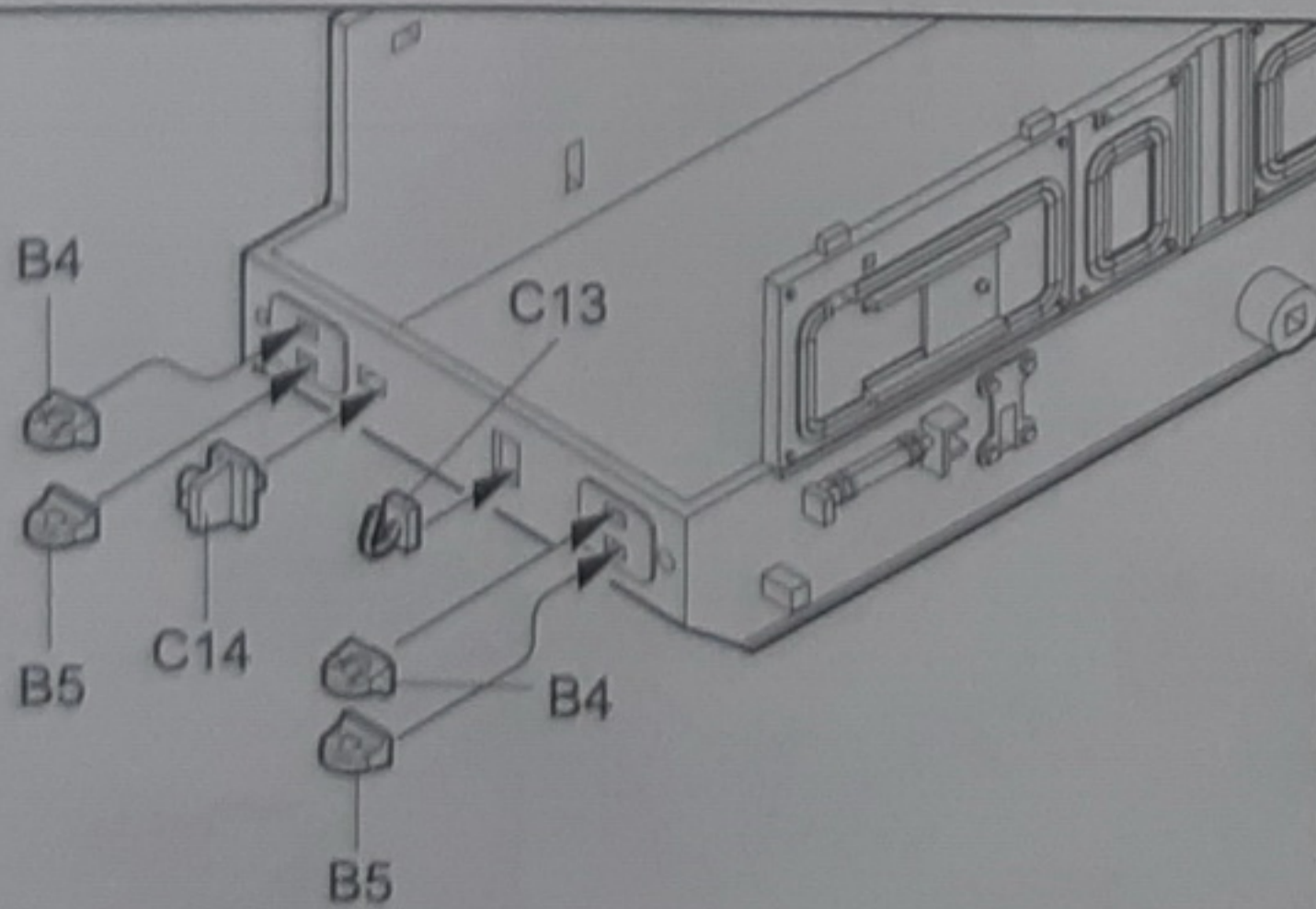


《制作8组》
Make eight

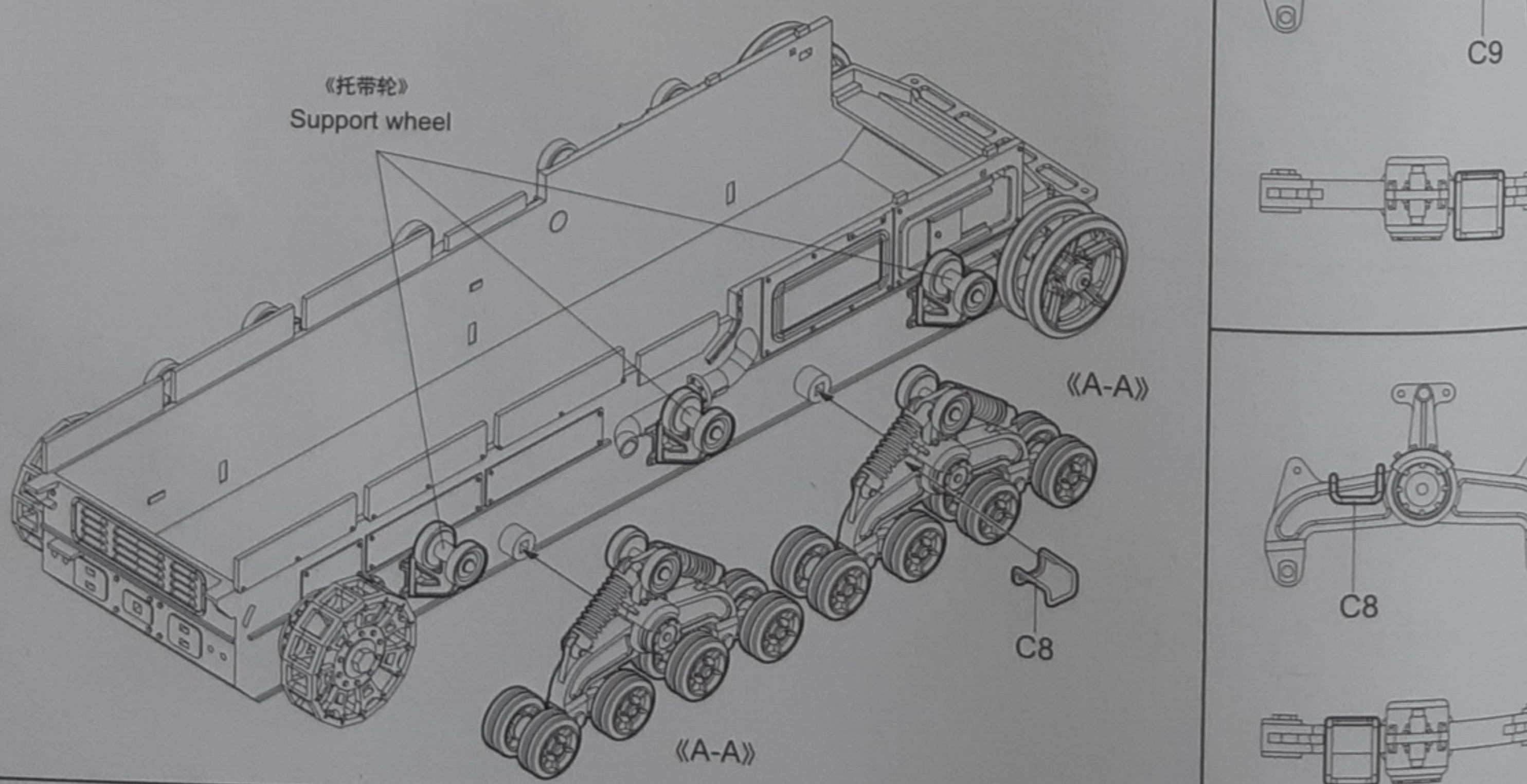
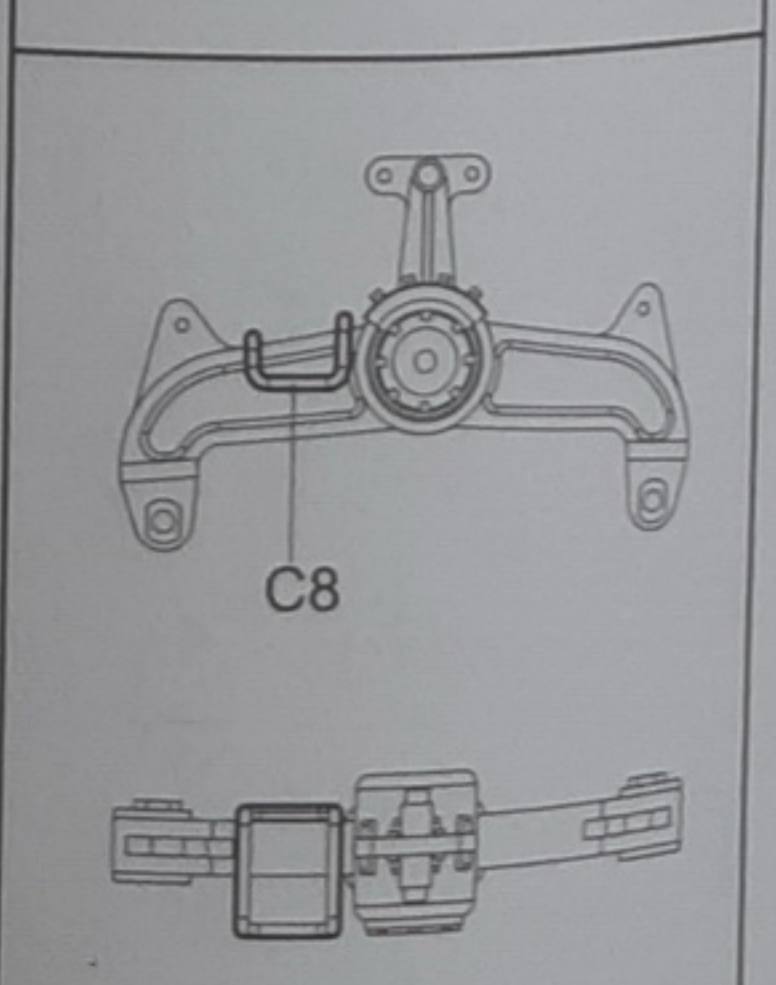
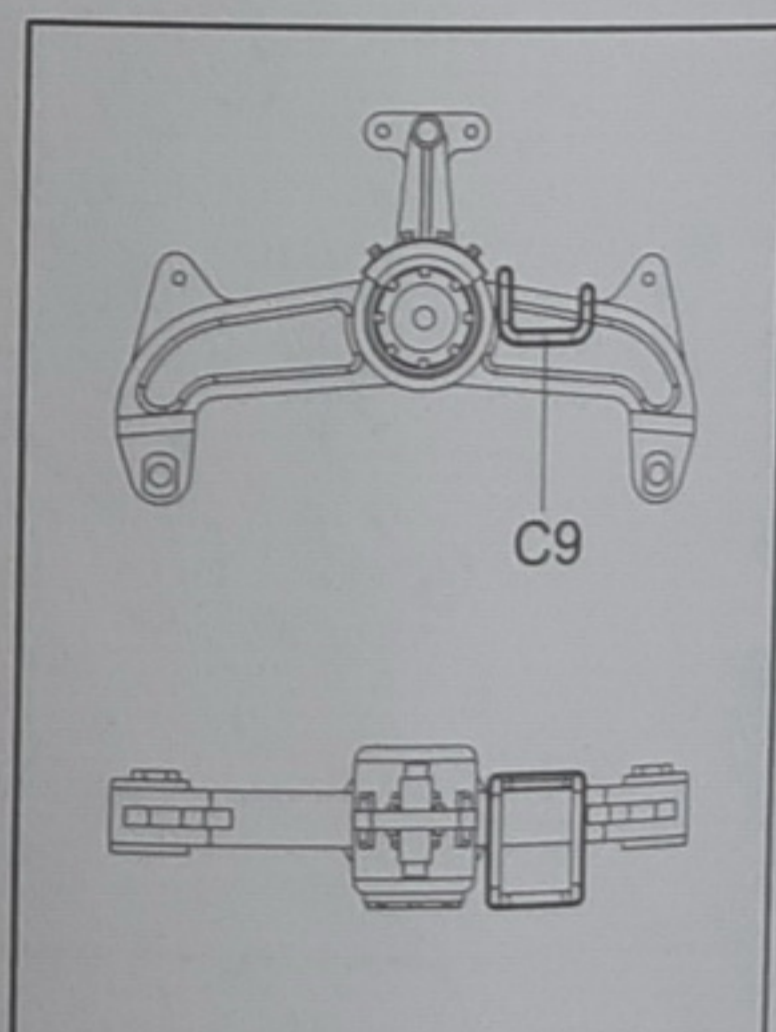
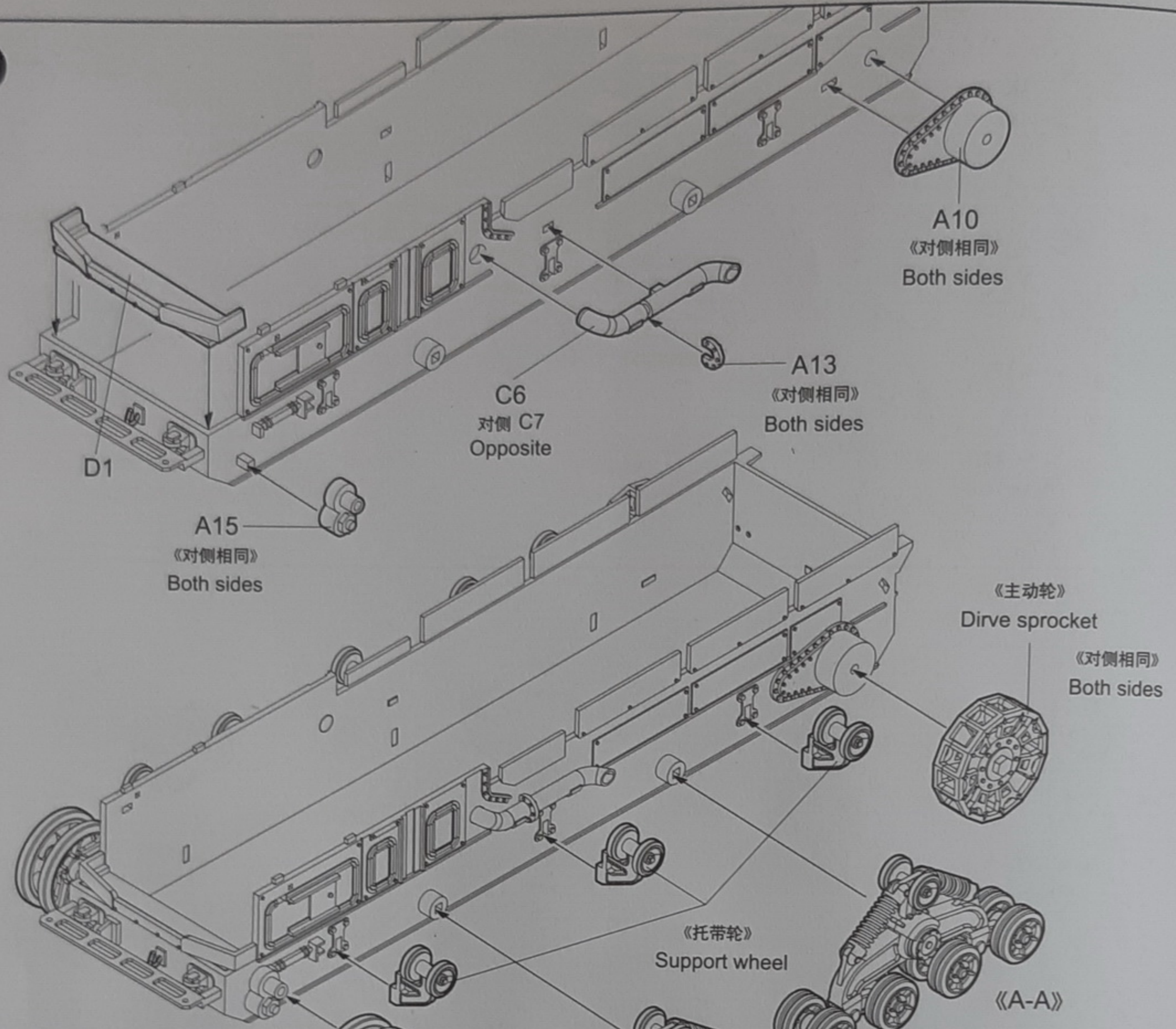


《A-A》
《制作4组》
Make four

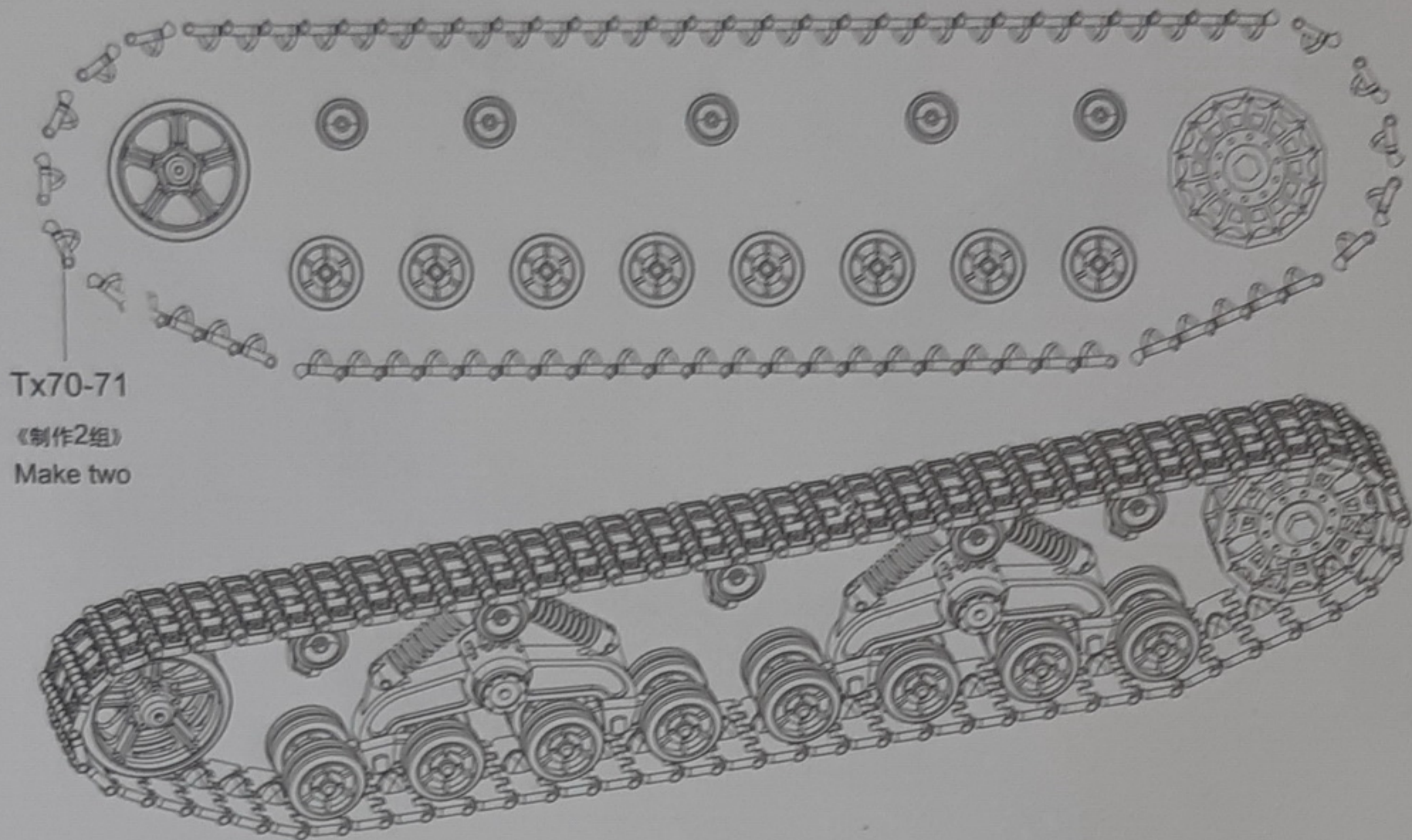
《对侧相同》
Both sides



3



4 履带连接
Track installation

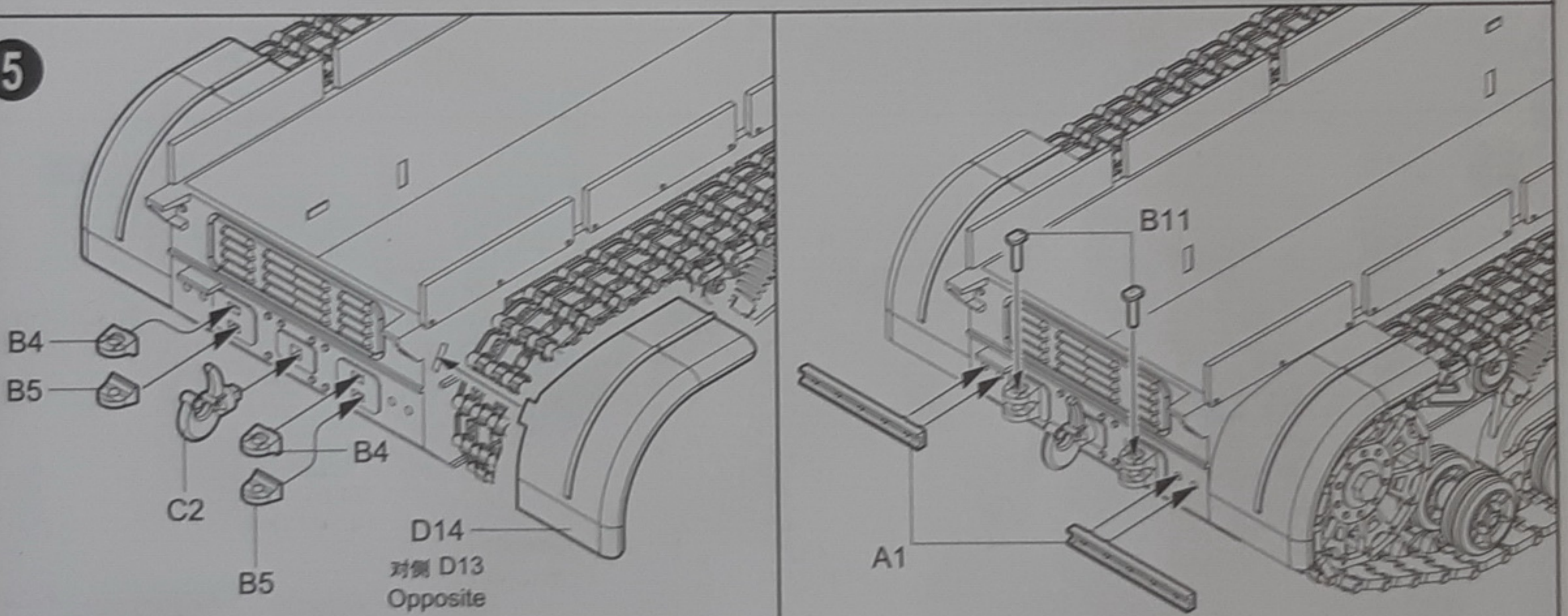


Tx70-71

《制作2组》

Make two

5



B4

B5

C2

B5

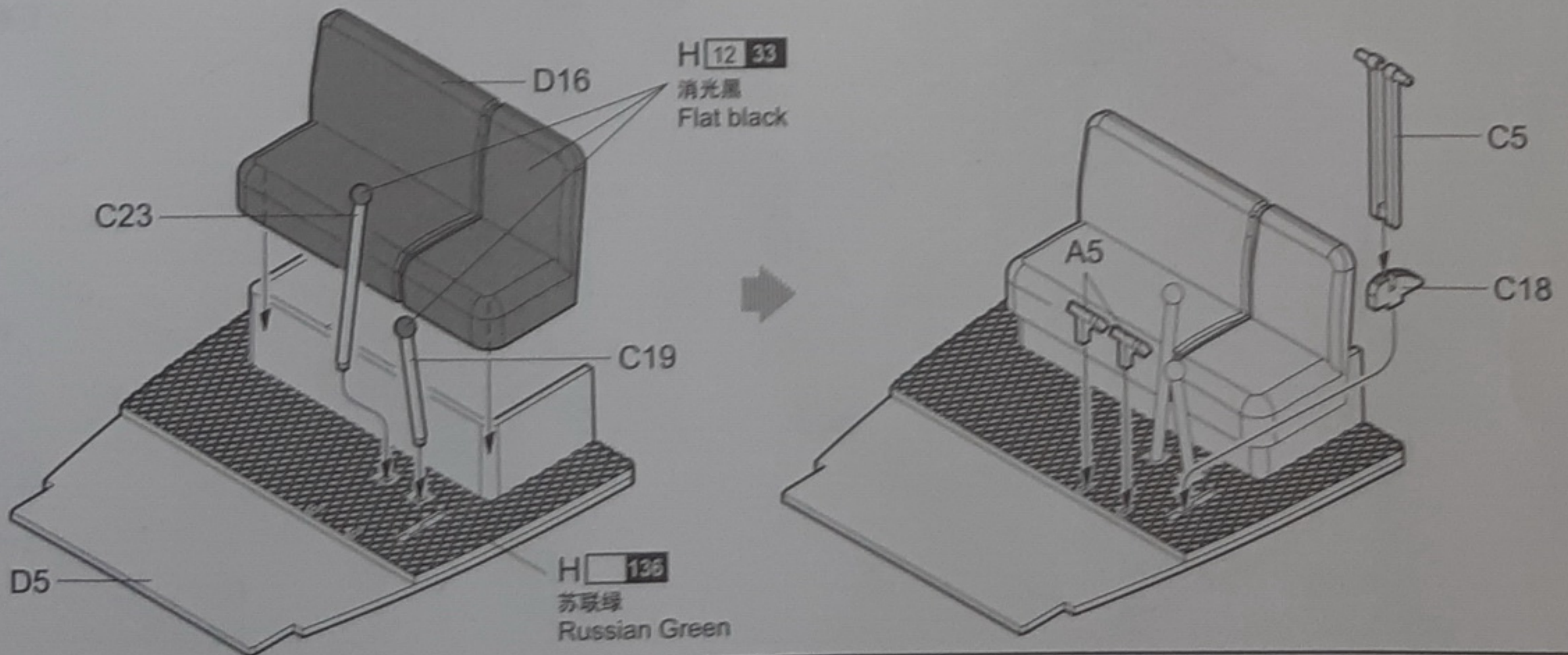
D14

对侧 D13
Opposite

B11

A1

6



H12 33
消光黑
Flat black

H136
苏联绿
Russian Green

C23

C19

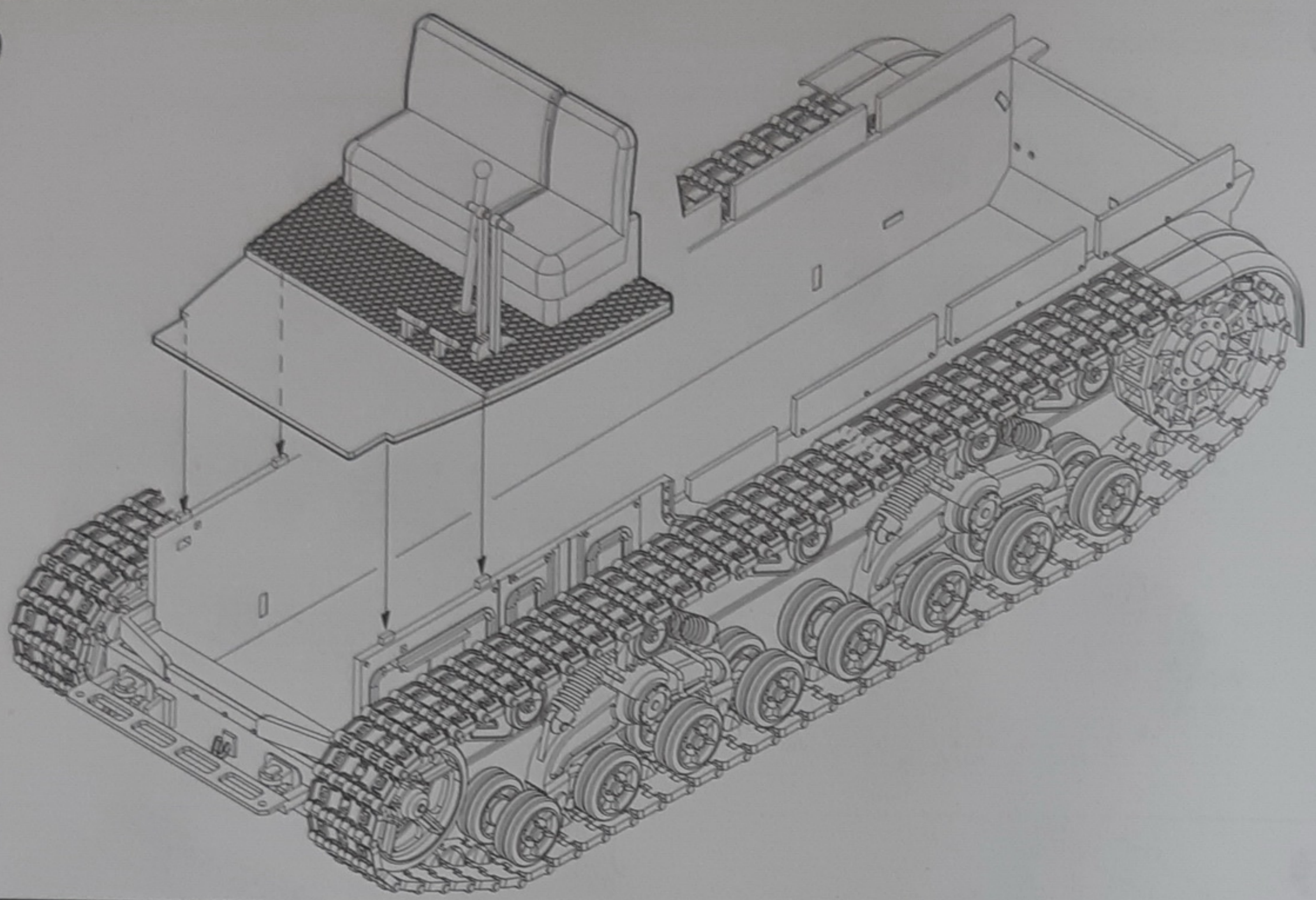
D5

C5

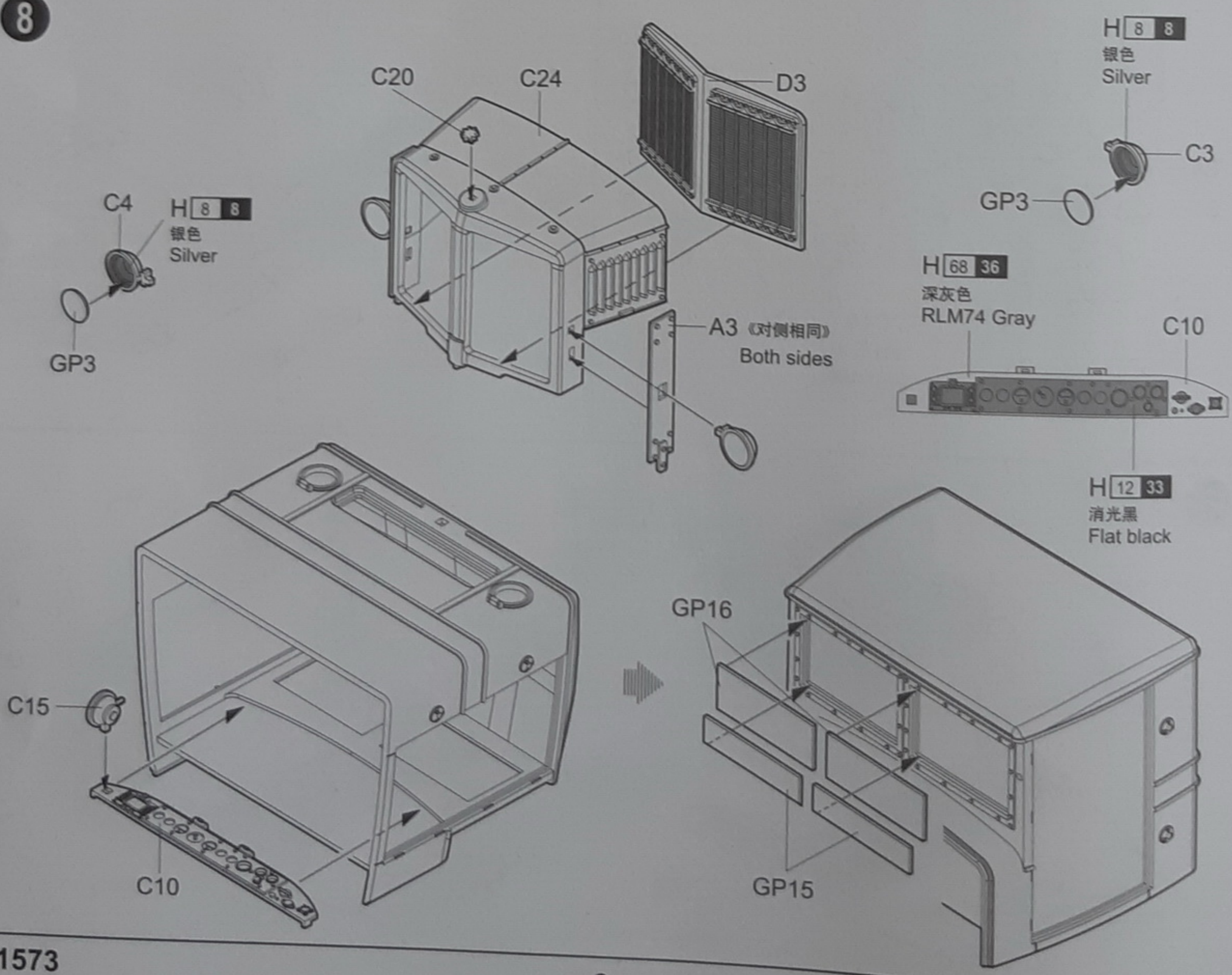
A5

C18

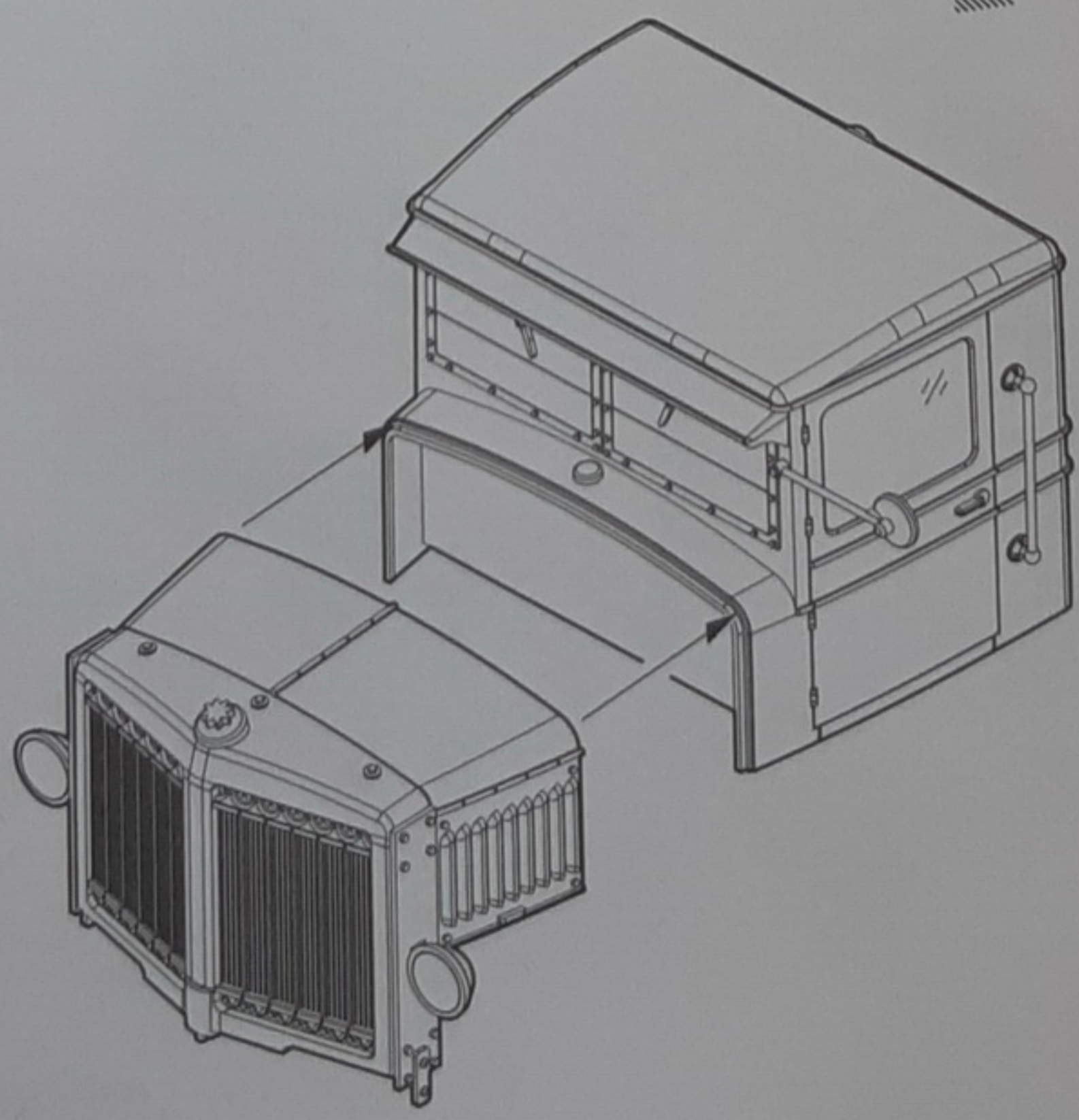
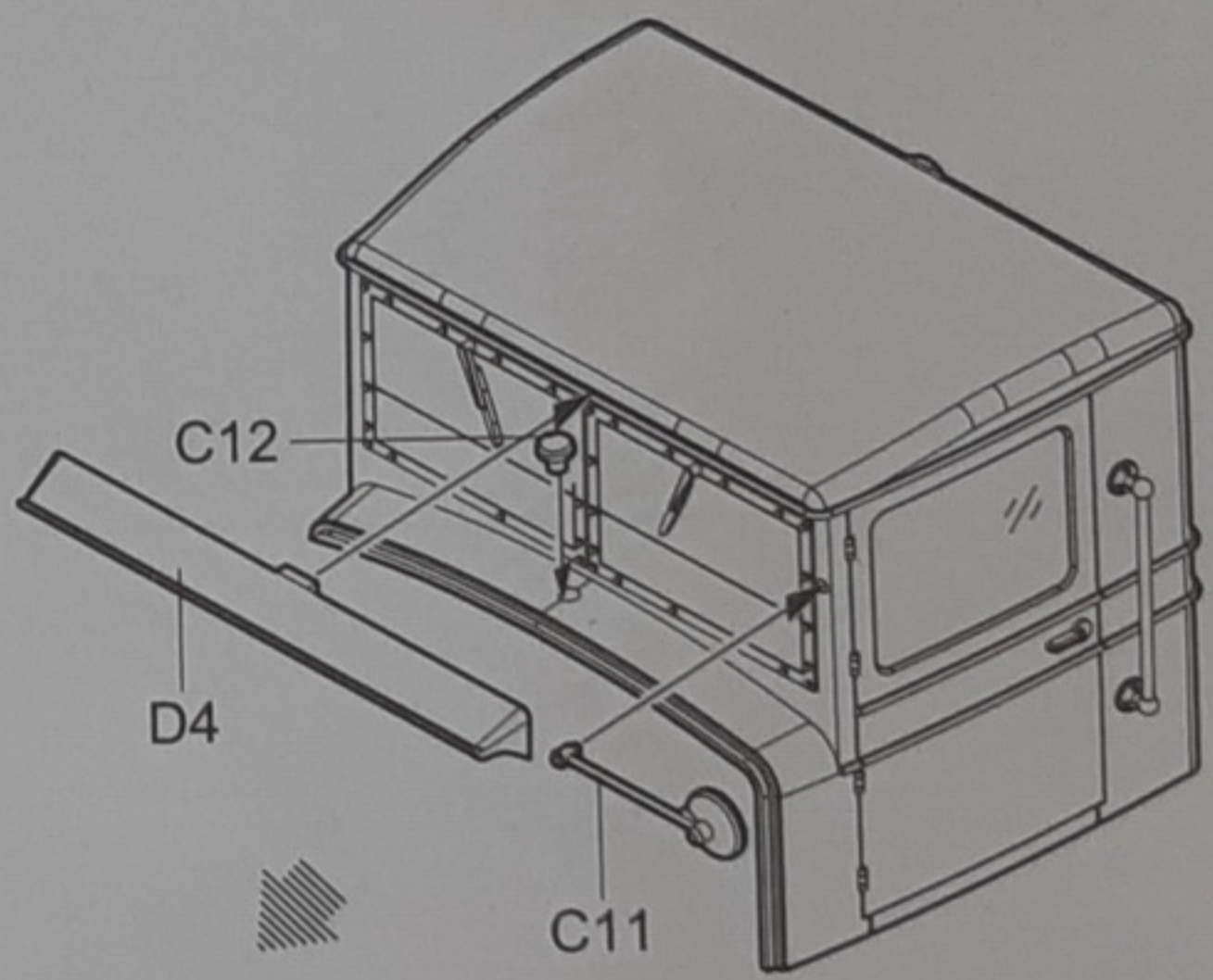
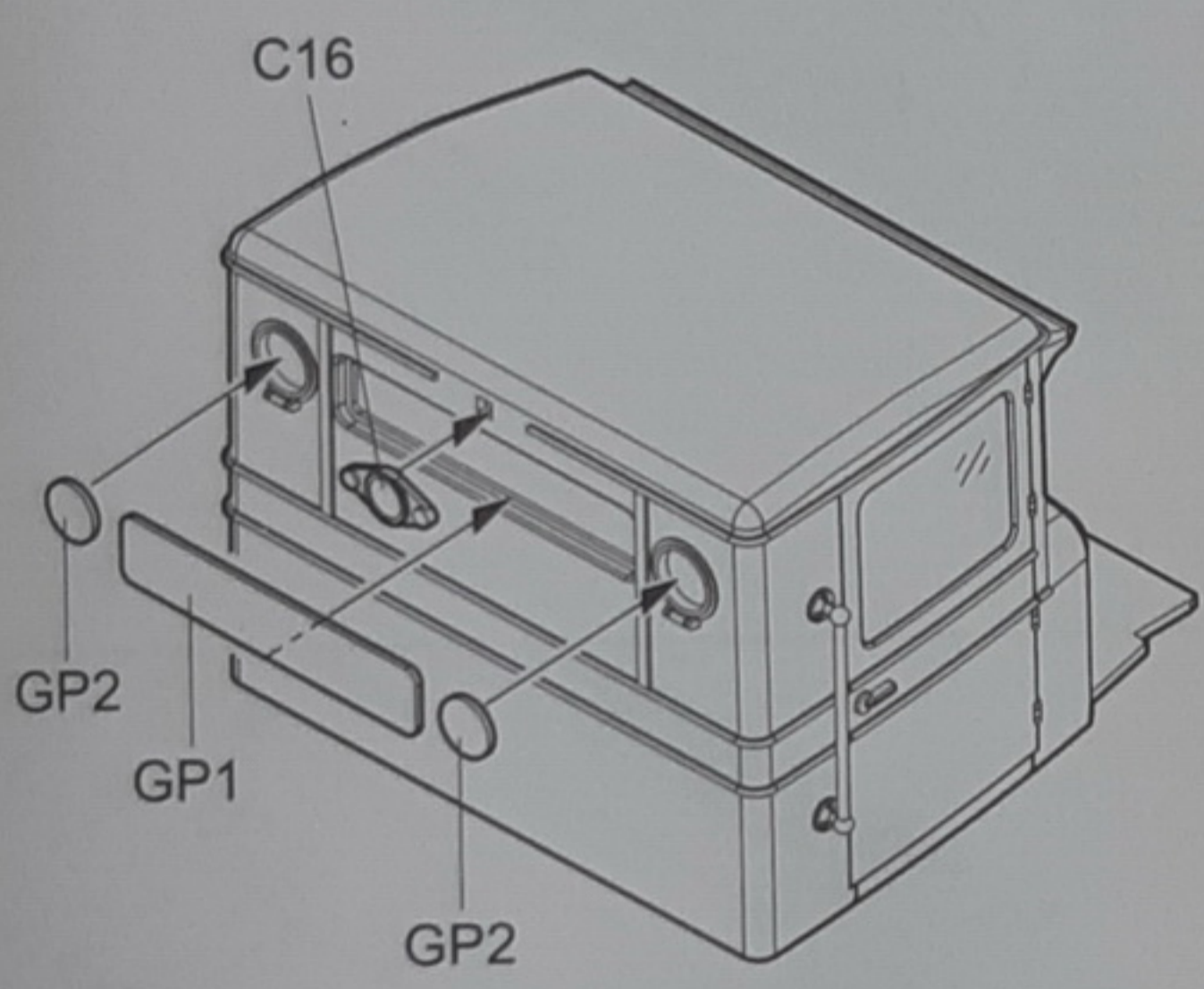
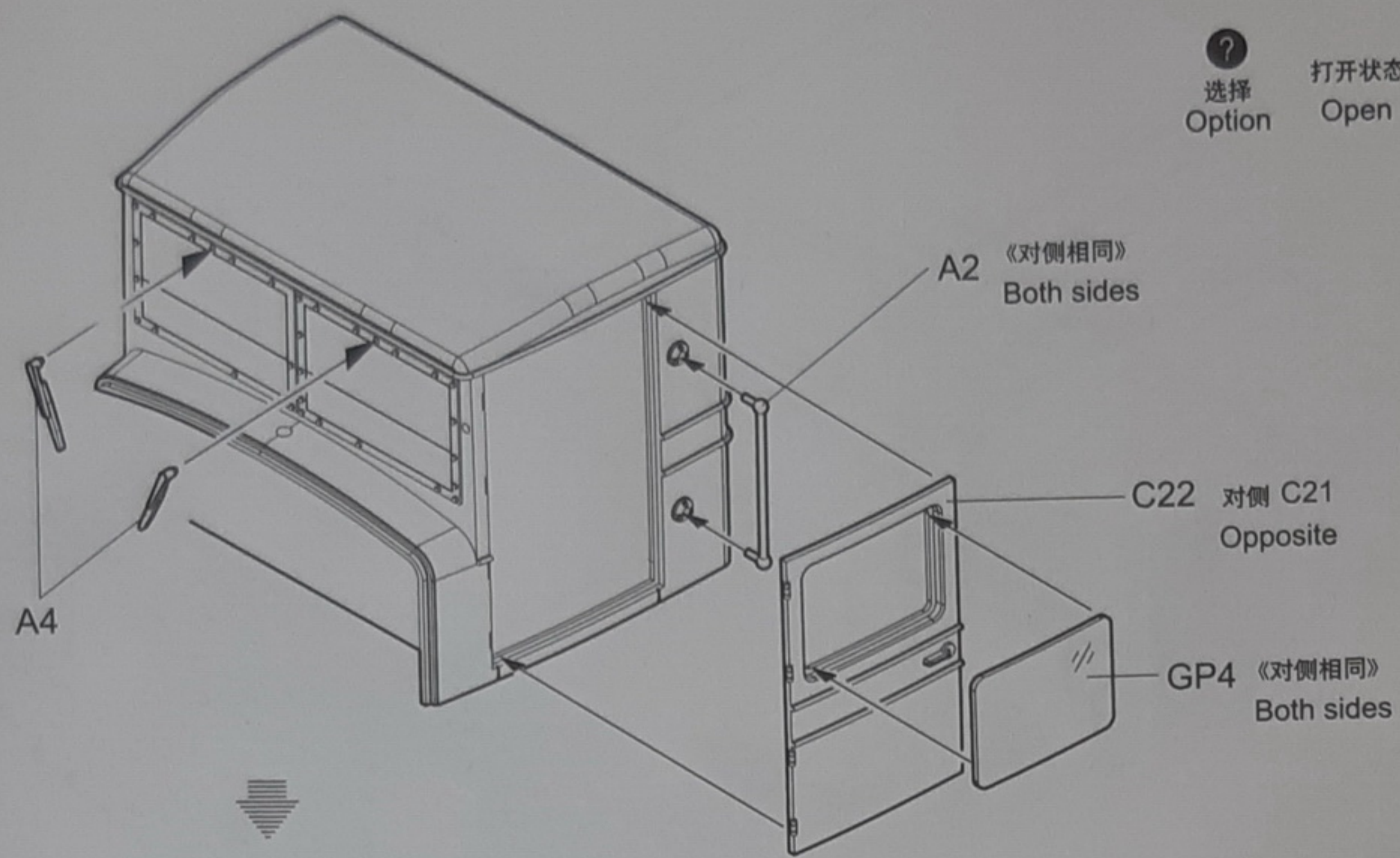
7



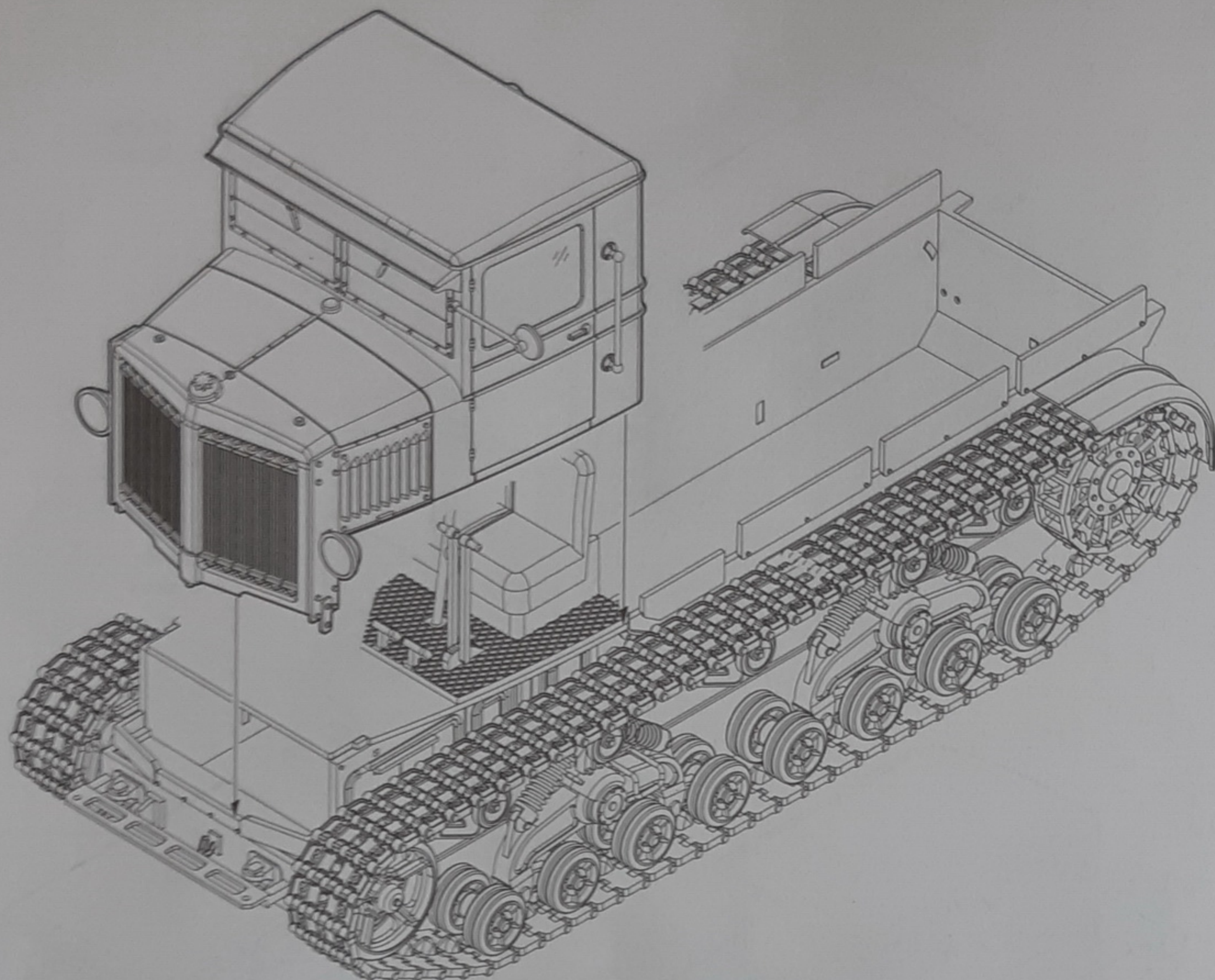
8



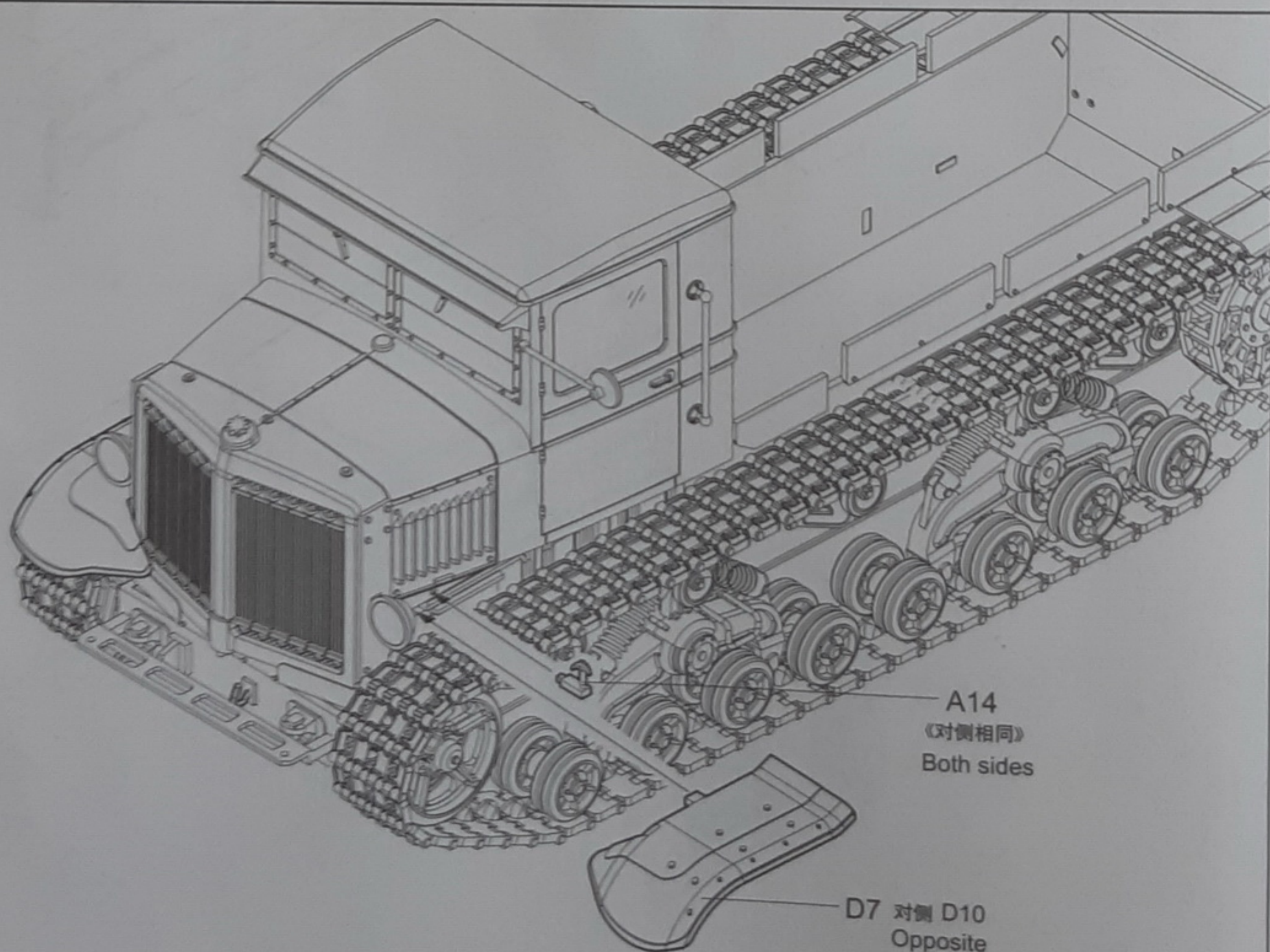
选择 打开状态
Option Open



10

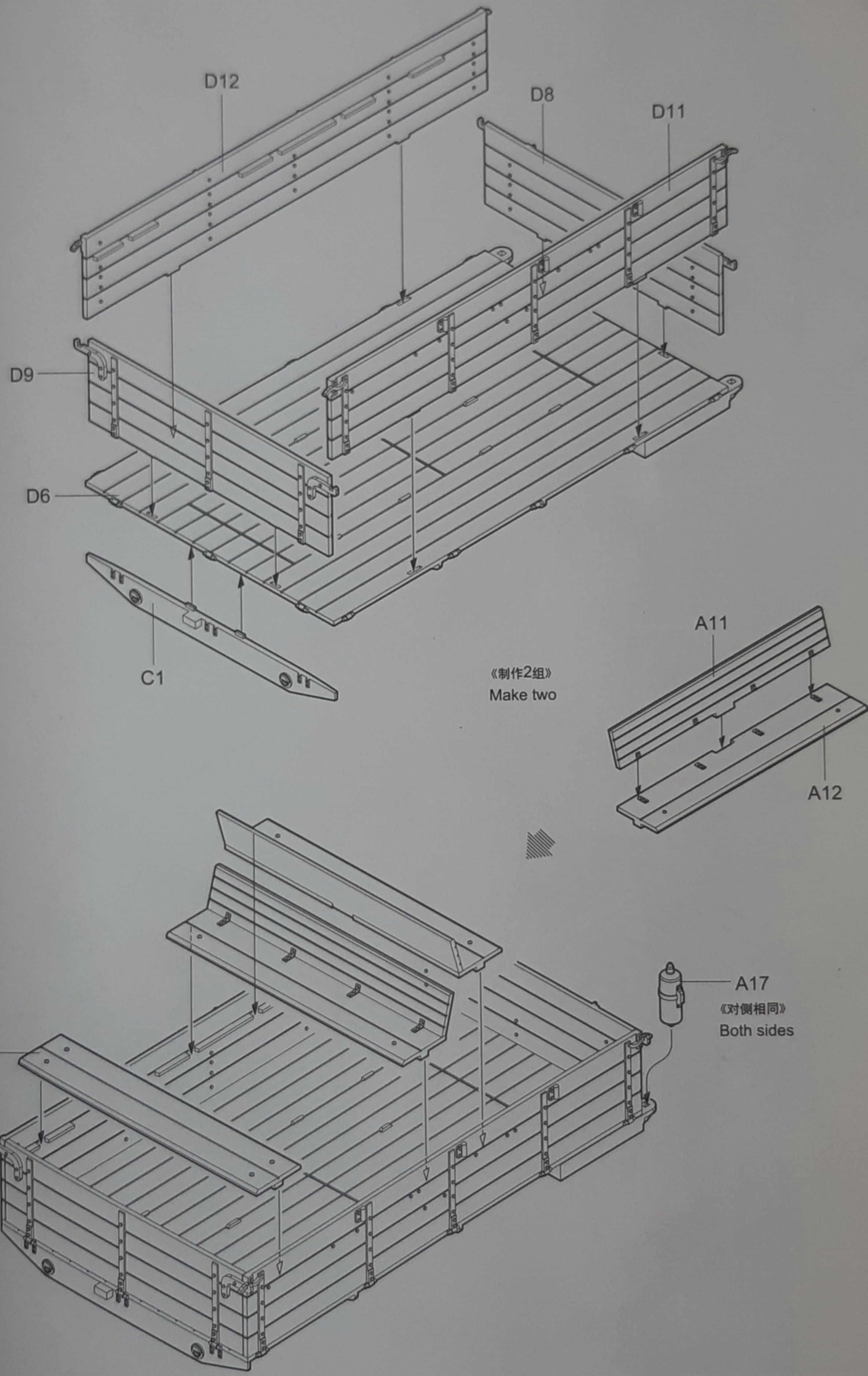


11

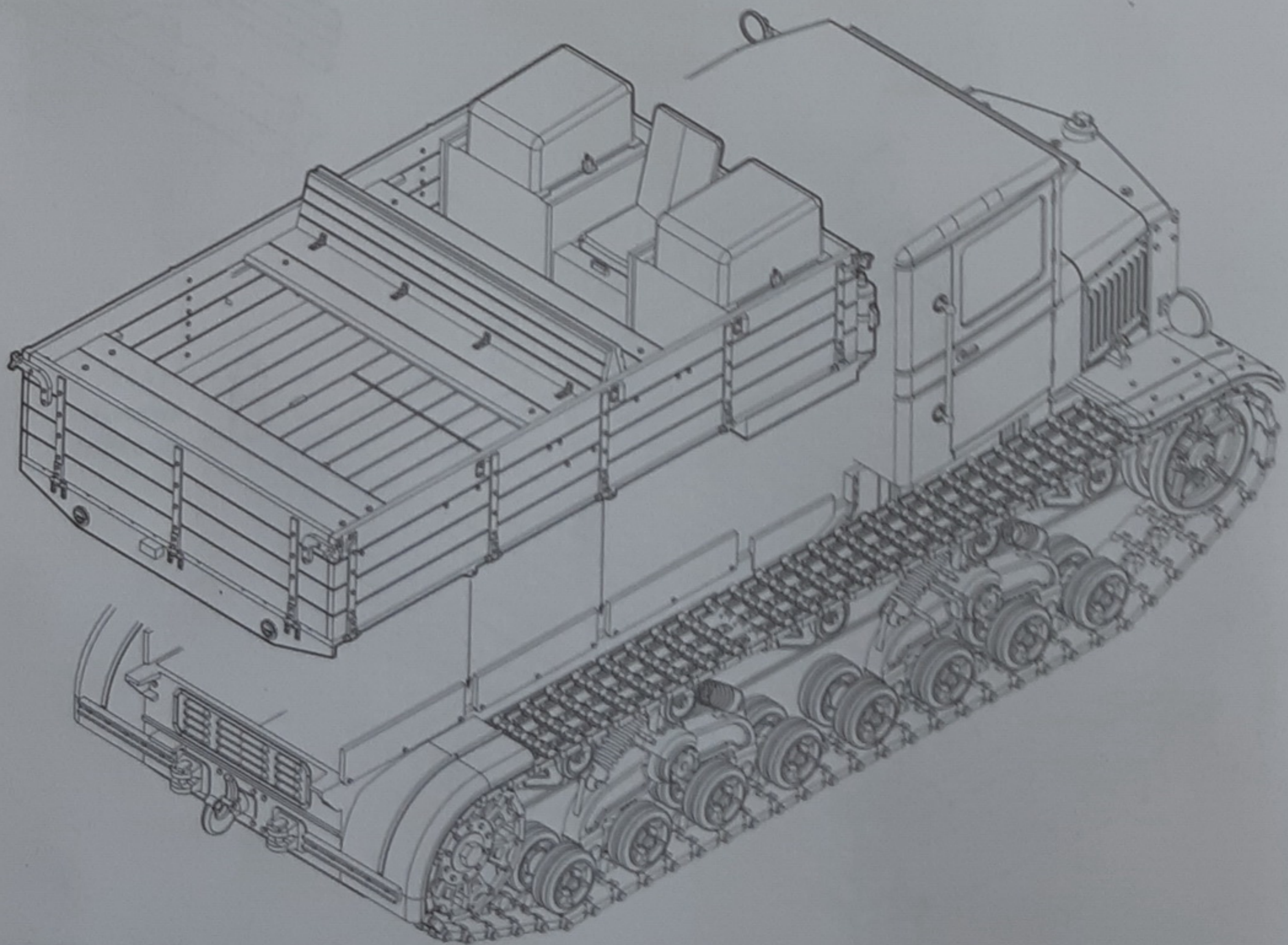
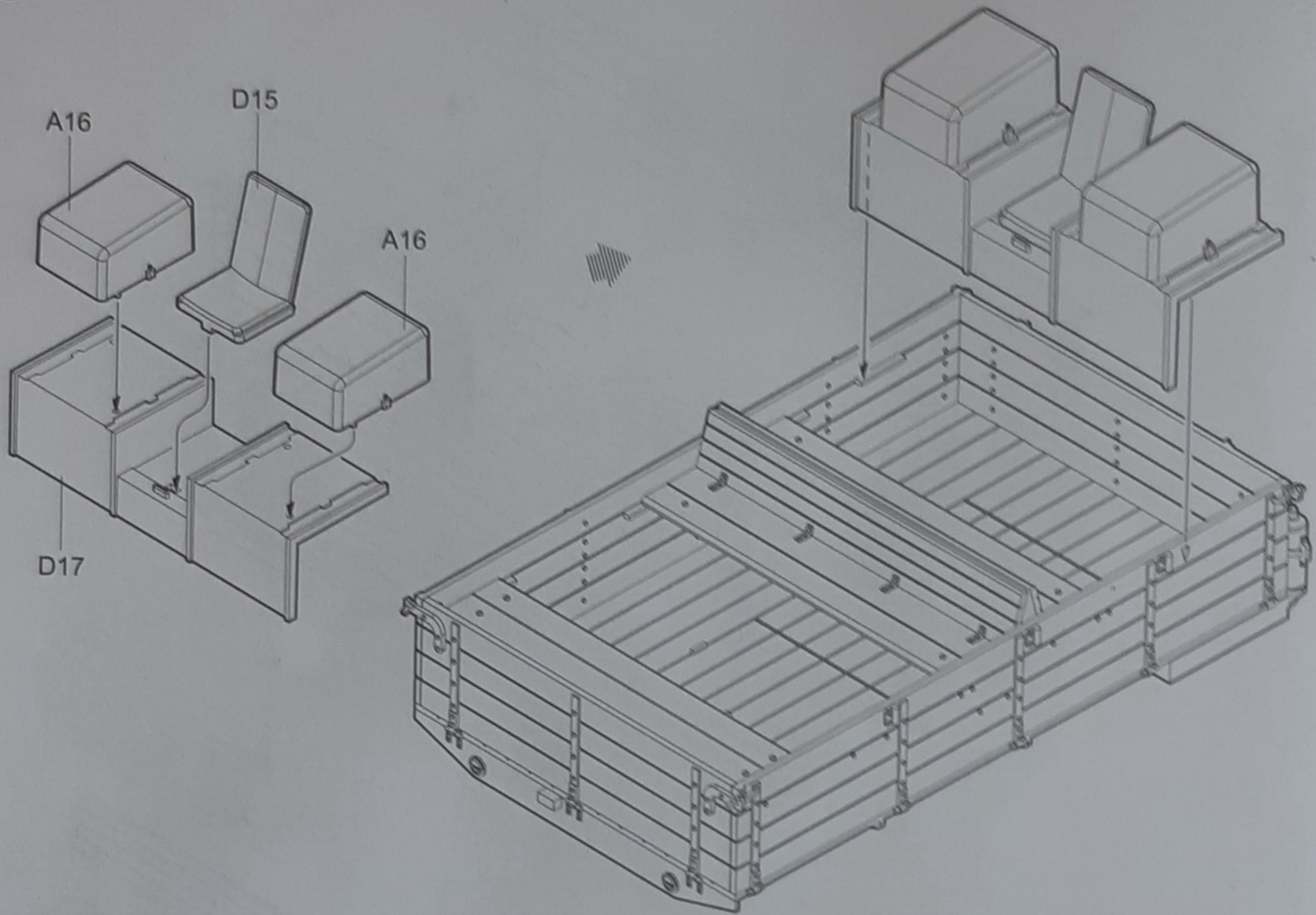


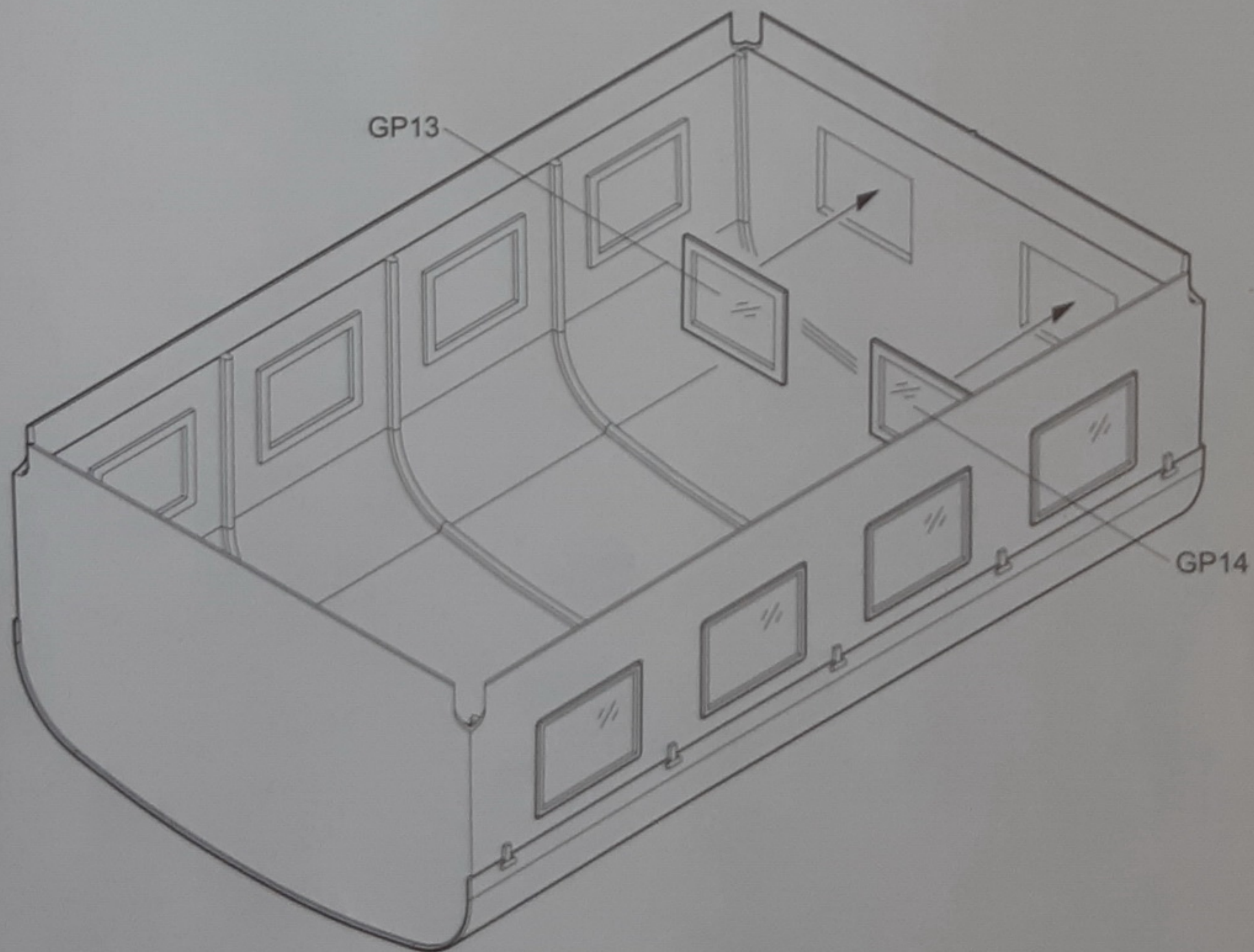
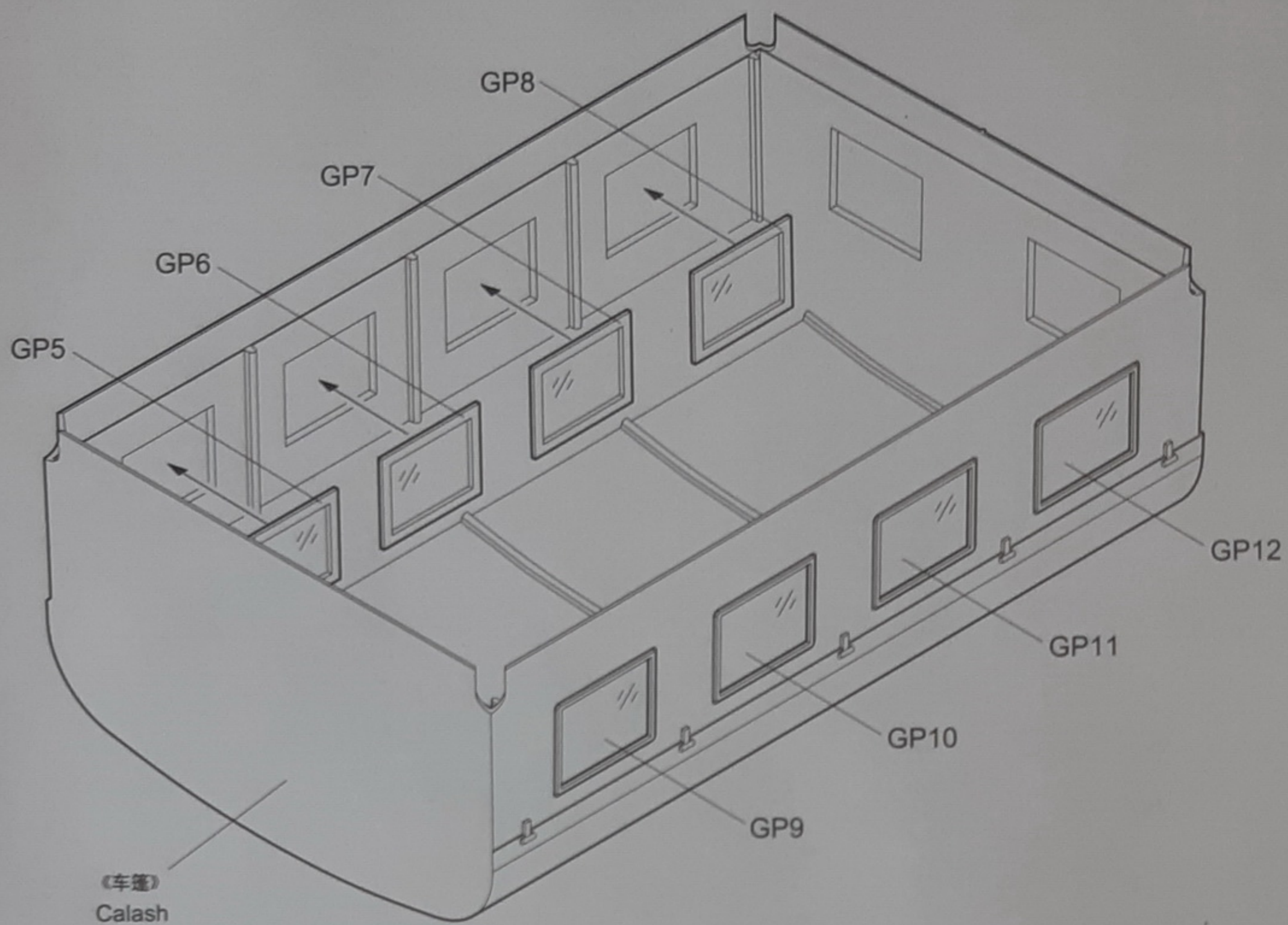
A14
《对侧相同》
Both sides

D7 对侧 D10
Opposite

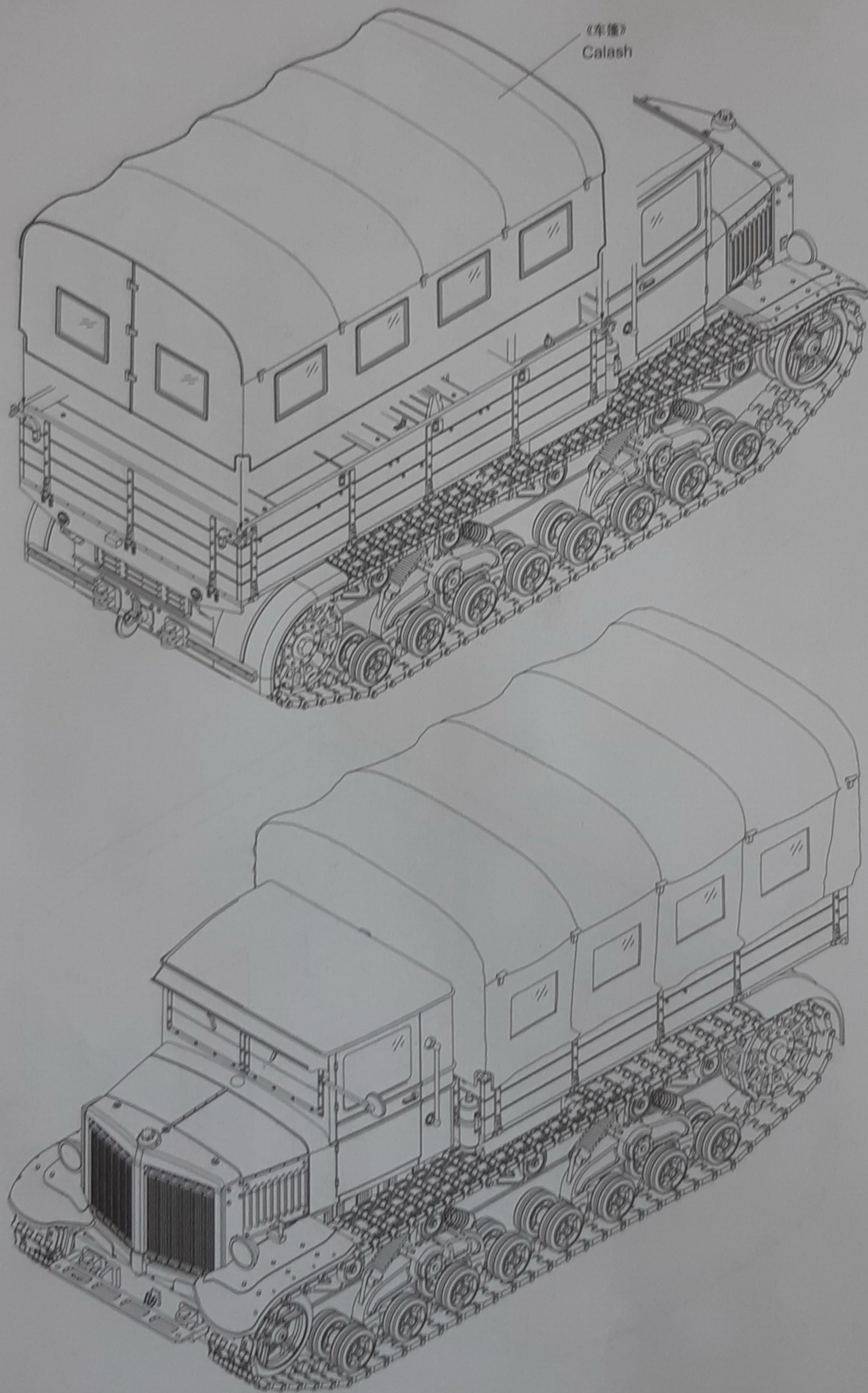


13





15

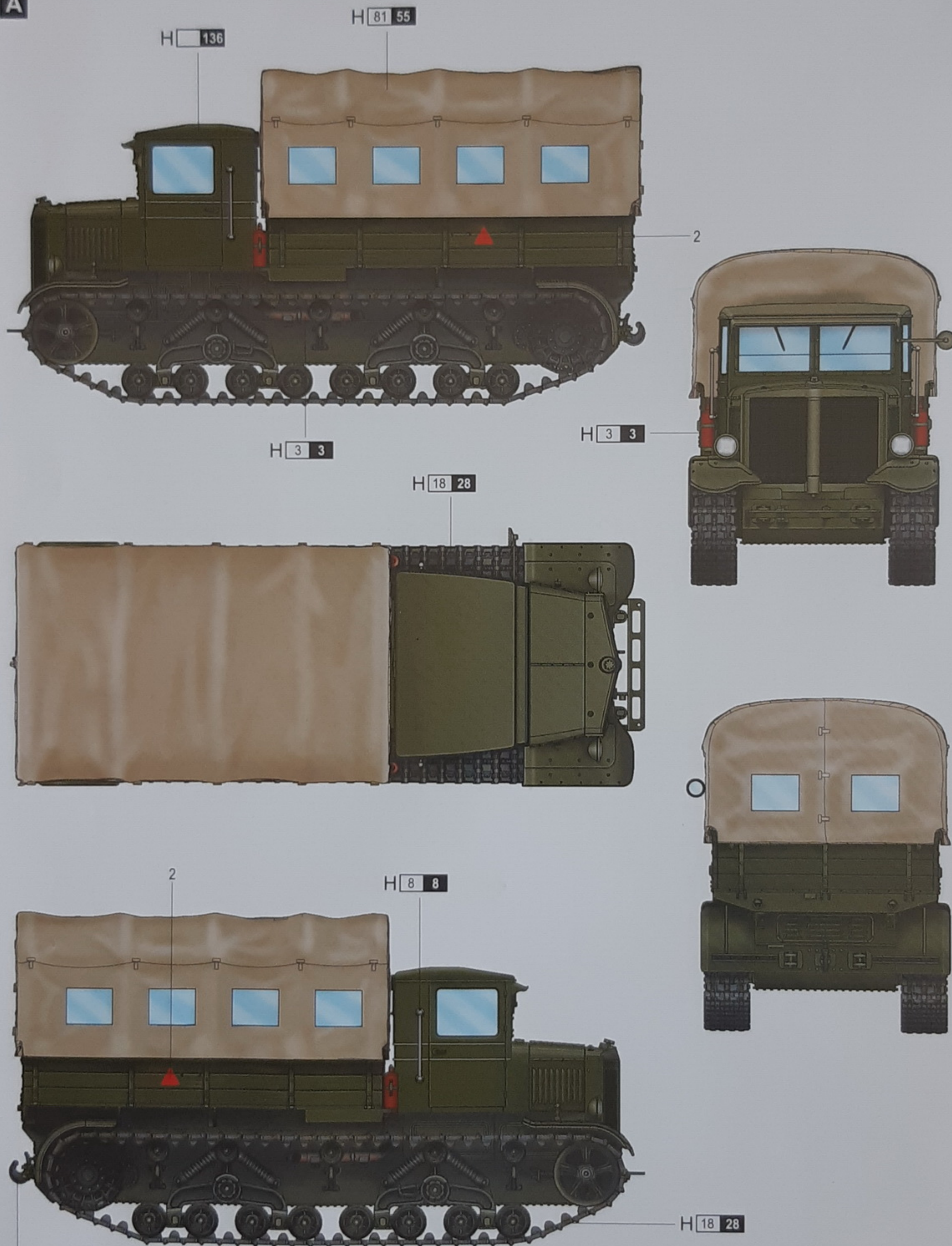


涂装同标贴指示

Painting & Marking guide

Color	Mr.Hobby	Vallejo	Model Master	Tamiya	Humbrol
Silver 银色	H 8 8	997	1546	X11	11
Metal Black 黑铁色	H 18 28	864	1402	-	-
Red 红色	H 3 3	908	1503	X7	19
Russian Green(2) 苏联绿	H 136	823	-	-	-
Khaki 卡其色	H 81 55	988	-	XF49	26

A



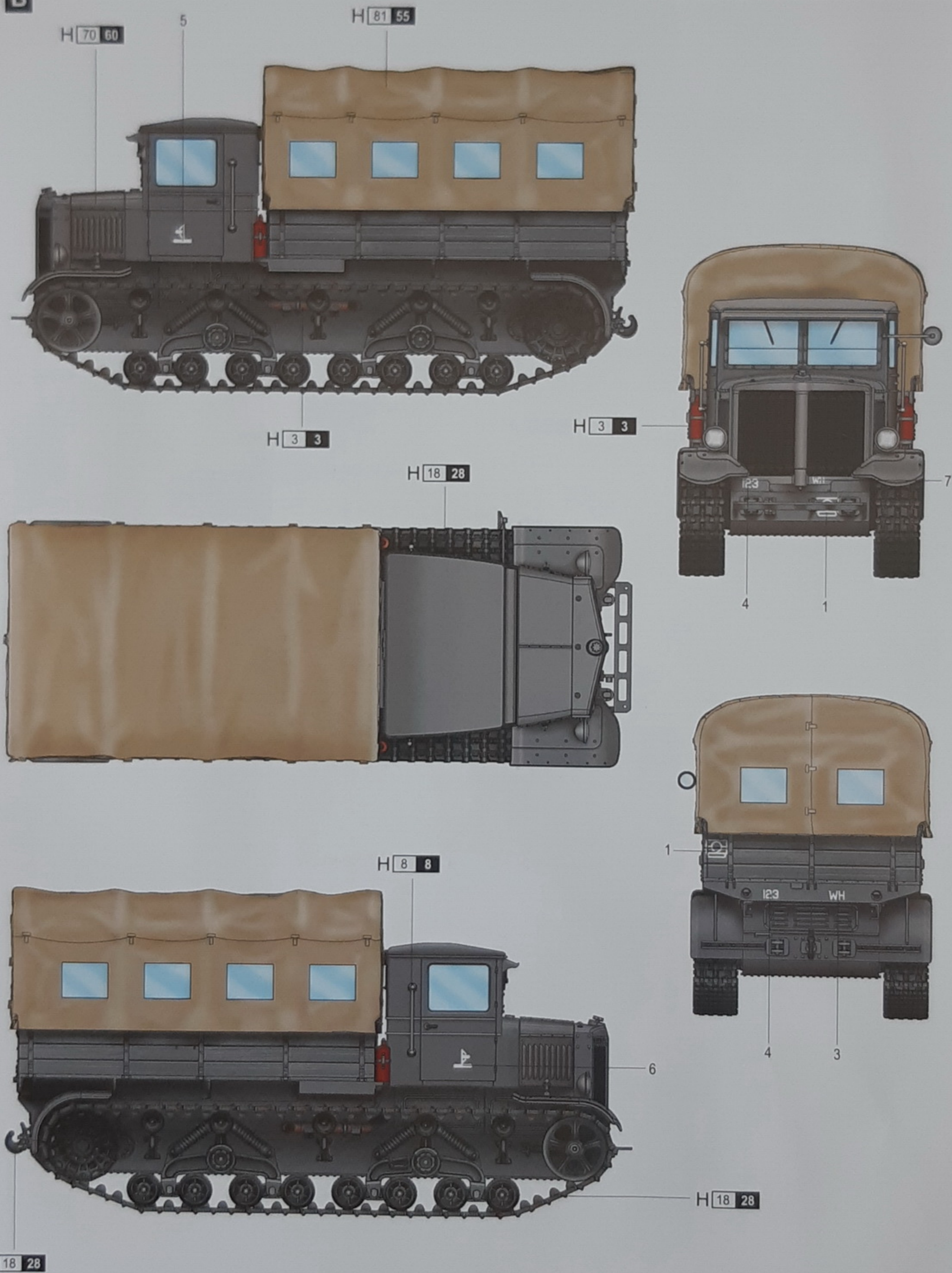
H 18 28

涂装同标贴指示

Painting & Marking guide

Color	Mr.Hobby	Vallejo	Model Master	Tamiya	Humbrol
Silver 银色	H 8 8	997	1546	X11	11
Metal Black 黑铁色	H 18 28	864	1402	-	-
Red 红色	H 3 3	908	1503	X7	19
RLM02 Gray 俄国灰	H 70 60	869	-	XF22	-
Khaki 卡其色	H 81 55	988	-	XF49	26

B



H AQUEOUS HOBBY COLOR ■ Mr. COLOR