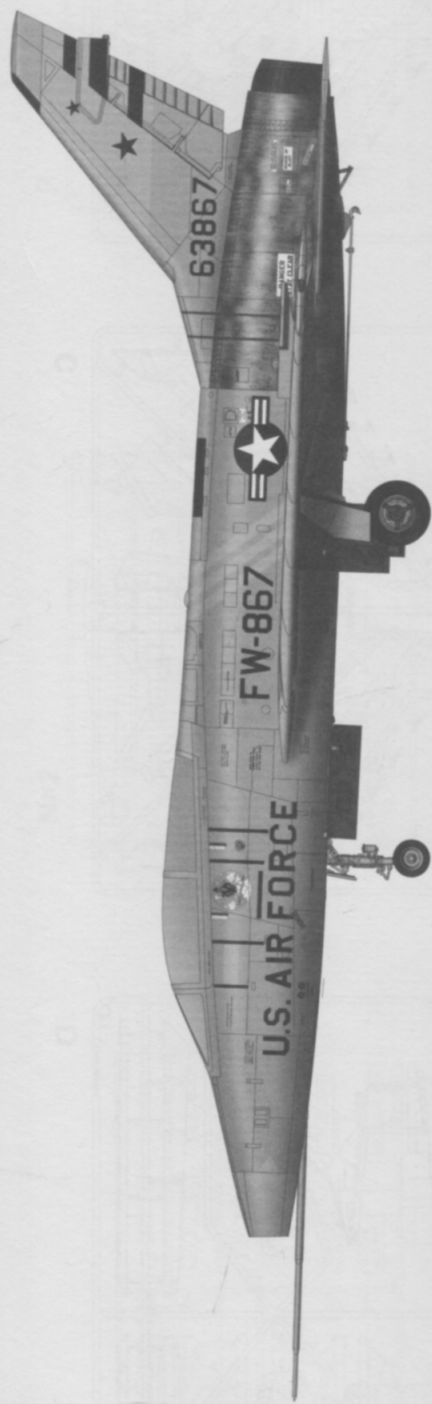


1/32 SCALE

ITEM NO.:02246



# F-100F Super Sabre

## F-100F “超佩刀” 战斗机

### READ BEFORE ASSEMBLY:

- This kit is not recommended for inexperienced modelers or for children under 14 years of age
- Study and understand these instructions thoroughly before beginning assembly
- When needed, remove photo-etch parts carefully using a modeling knife or photo etch sprue cutter, being careful not to damage or lose small parts.
- Take extra care in handling photo etch parts in order to avoid injury
- Apply instant cement sparingly to photo etch parts where instructed

\*说明书中含有重要信息, 应保留。 Please Keep instruction since it contains important information.

### 水贴纸的使用:

1. 从水贴上剪下印花;
2. 将印花放入温水中浸10秒, 然后放在干净布上。
3. 拿着印花纸板将印花移到模型上;
4. 手指蘸水将印花移到适当的位置;
5. 用软布轻压印花直至水干, 气泡消失。

### DECAL APPLICATION:

1. Cut decals from sheet as needed
2. Dip the decal in warm water for about 10 seconds and then place on soft clean cloth.
3. Hold the decal backing sheet edge and gently slide the decal onto the model in its proper position.
4. While still wet, decal can be adjusted for better fit on model by dampening it gently with your finger.
5. When placed in the proper position, gently press decal down with a soft cloth until excess water and air bubbles are gone.
6. Allow decal to dry completely before handling model

- Tools recommended(not included in kit):Plastic and instant cements,sprue cutters,long nose pliers,modeling knife, small files, tweezers, pin vise & scissors. Soft cloth and sandpaper will also assist in construction
- Glue and paint are not included in the kit. Use plastic cement and hobby paints only. Color guide for purchasing paint is included in the kit.
- Keep out of reach of children. They must not be allowed to ingest small parts or handle plastic bags in any way.

### 装配之前仔细阅读

- 小心用模型锉刀锉平所有零件表面的注射浇口。
- 小心用刀片切下蚀刻片零件, 不要遗失小零件。
- 用强力快干胶水粘合蚀刻片零件和金属轴。过量的快干胶水使用可能导致可动零件会粘住, 小心涂胶。
- 取蚀刻片时应特别注意安全, 防止利边划伤手指。
- 某些零件表面需贴水上贴纸, 请选择在装配的同时进行。
- 推荐模型工具(自备): 胶水, 水口剪刀, 长咀钳, 刀片, 锉刀, 镊子钳, 钻, 剪刀, 瞬间快干胶。
- 软布同砂纸同时也是所需工具。
- 请使用塑料胶水和油漆, 模型内不含。
- 谨防小孩吸吮塑料零件, 或者将塑料袋套在头上, 制作时应将套材远离小孩接触。
- 本产品不适合14岁以下没有经验的模型爱好者。



使用强力胶



配重



钻孔



切除



先装



贴纸



锉平



选择



不涂胶水



弯曲

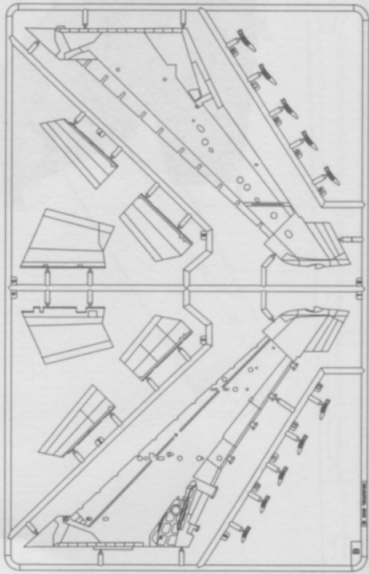


填补

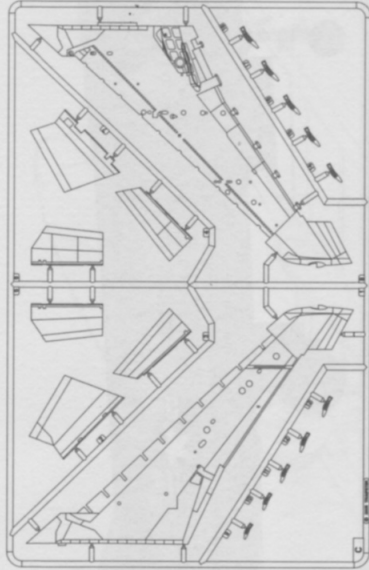
Repair

部品图  
Parts

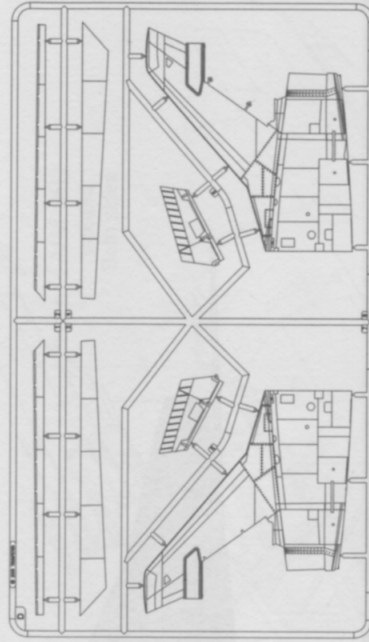
B



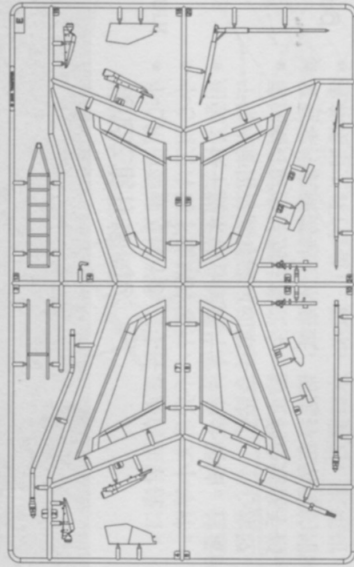
C



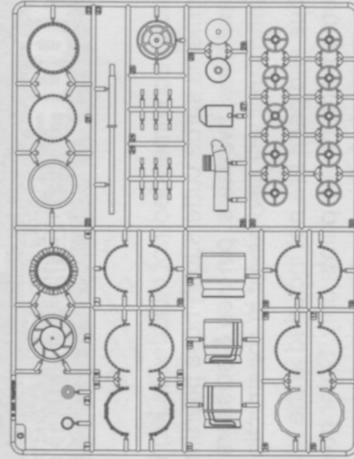
D



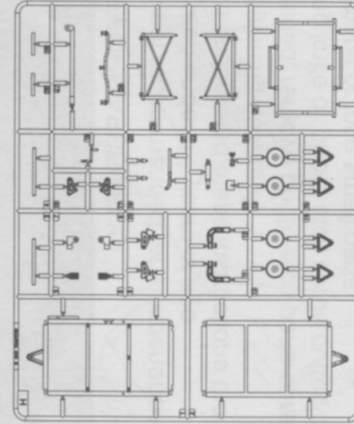
E



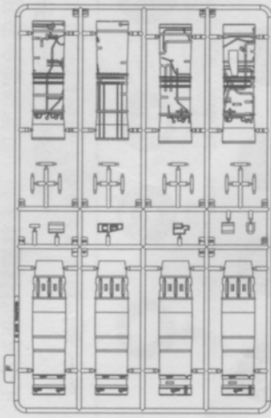
G



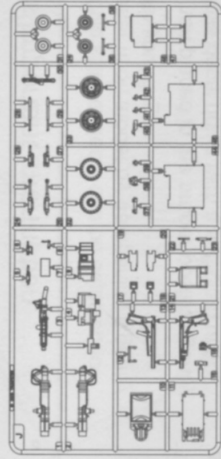
H



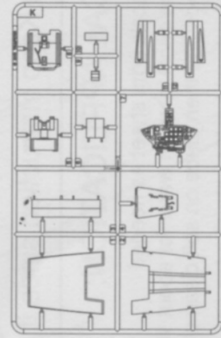
F



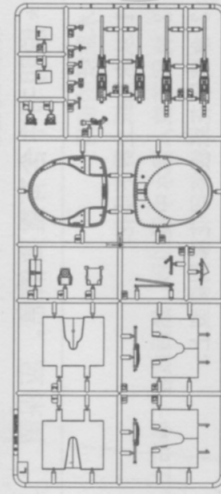
J



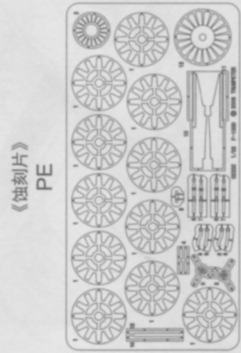
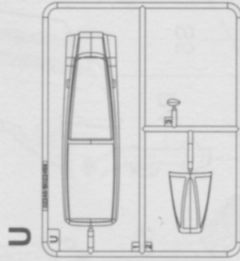
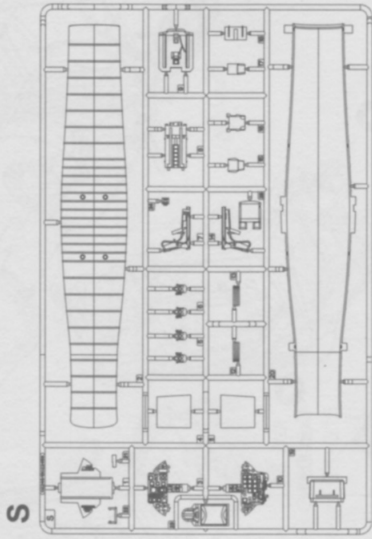
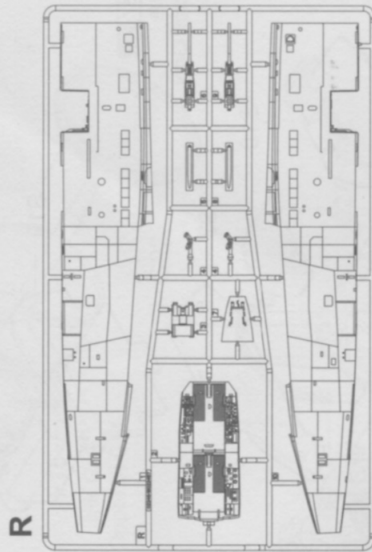
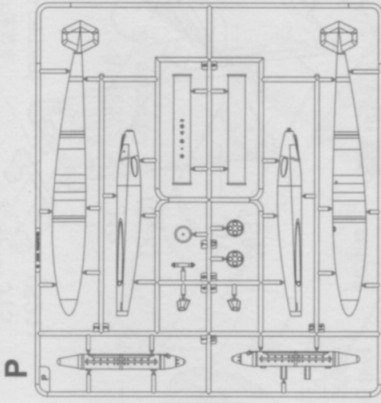
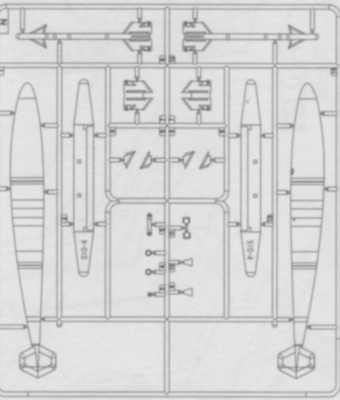
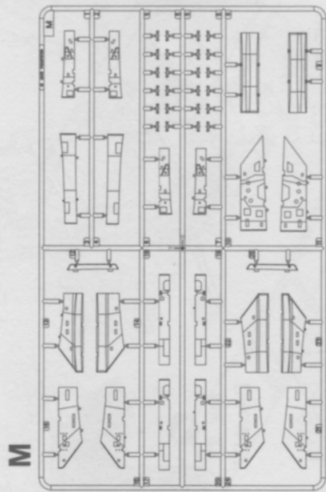
K



L



部品图  
Parts

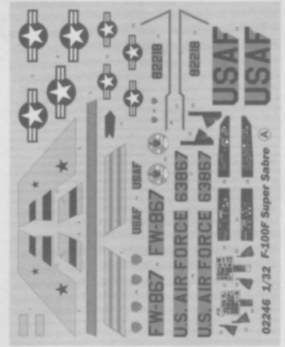


《前轮胎》 x2  
Nose tire



《主轮胎》 x2  
Main tire

《贴纸》 A  
Decal



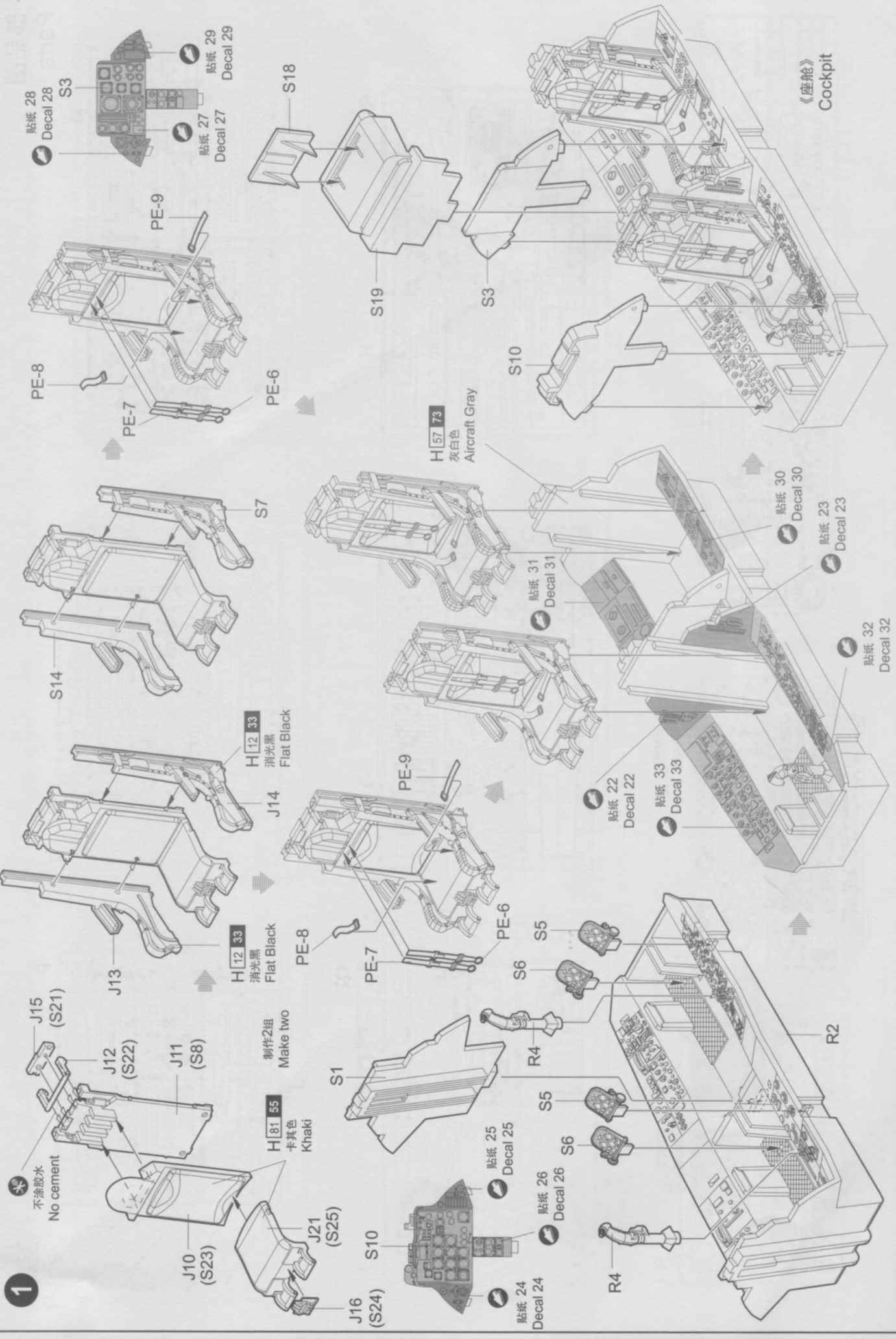
《贴纸》 B  
Decal



《贴纸》 C  
Decal



1



貼紙 28  
Decal 28

貼紙 27  
Decal 27

貼紙 29  
Decal 29

《座艙》  
Cockpit

H|57 73  
灰白色  
Aircraft Gray

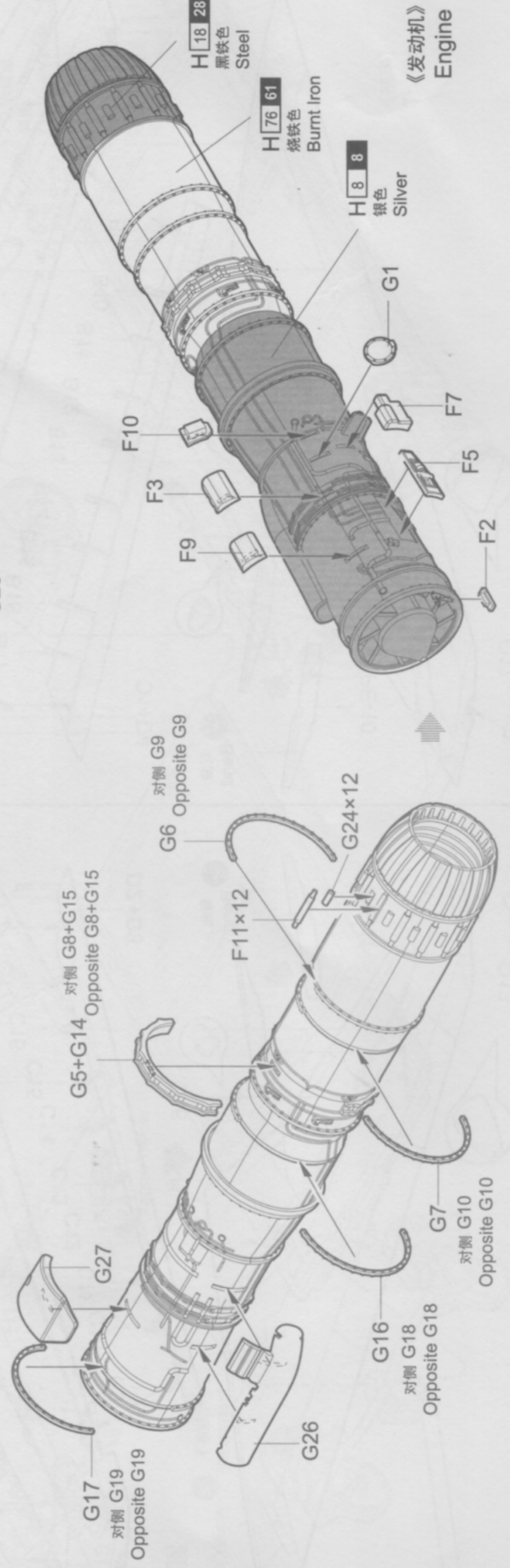
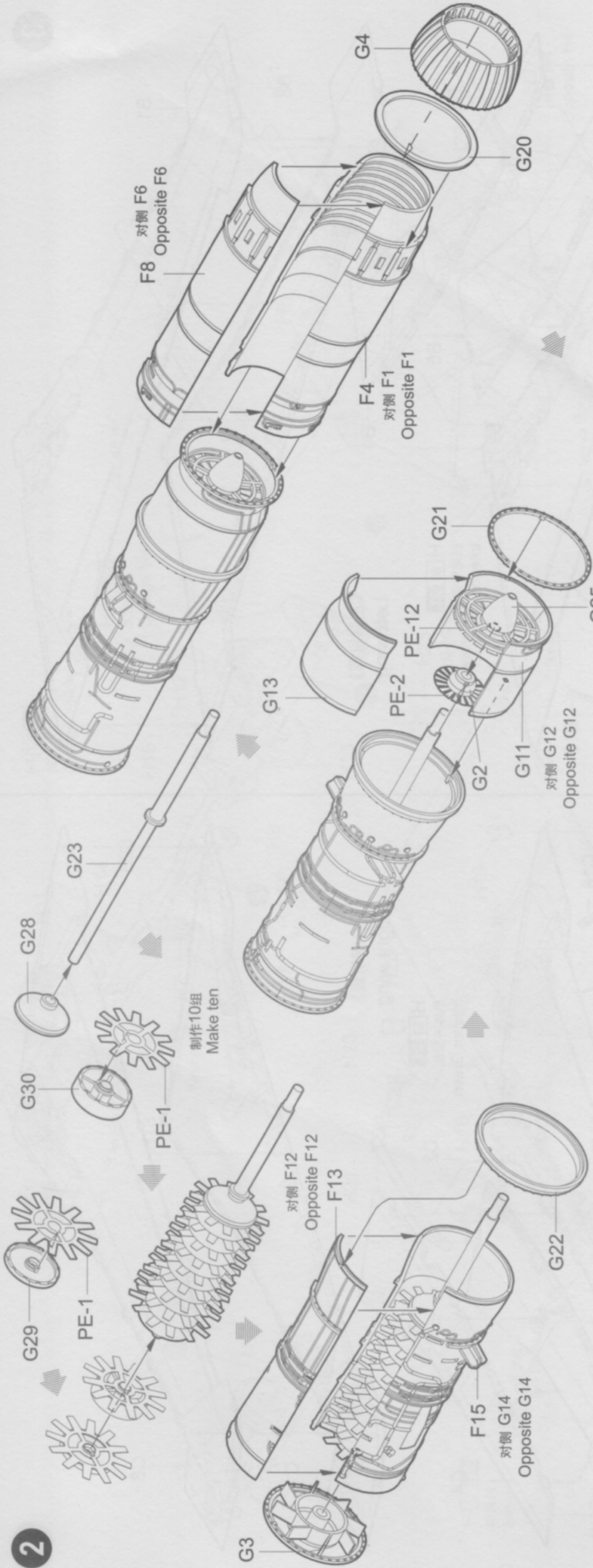
H|12 33  
消光黑  
Flat Black

H|12 33  
消光黑  
Flat Black

H|81 65  
卡其色  
Khaki

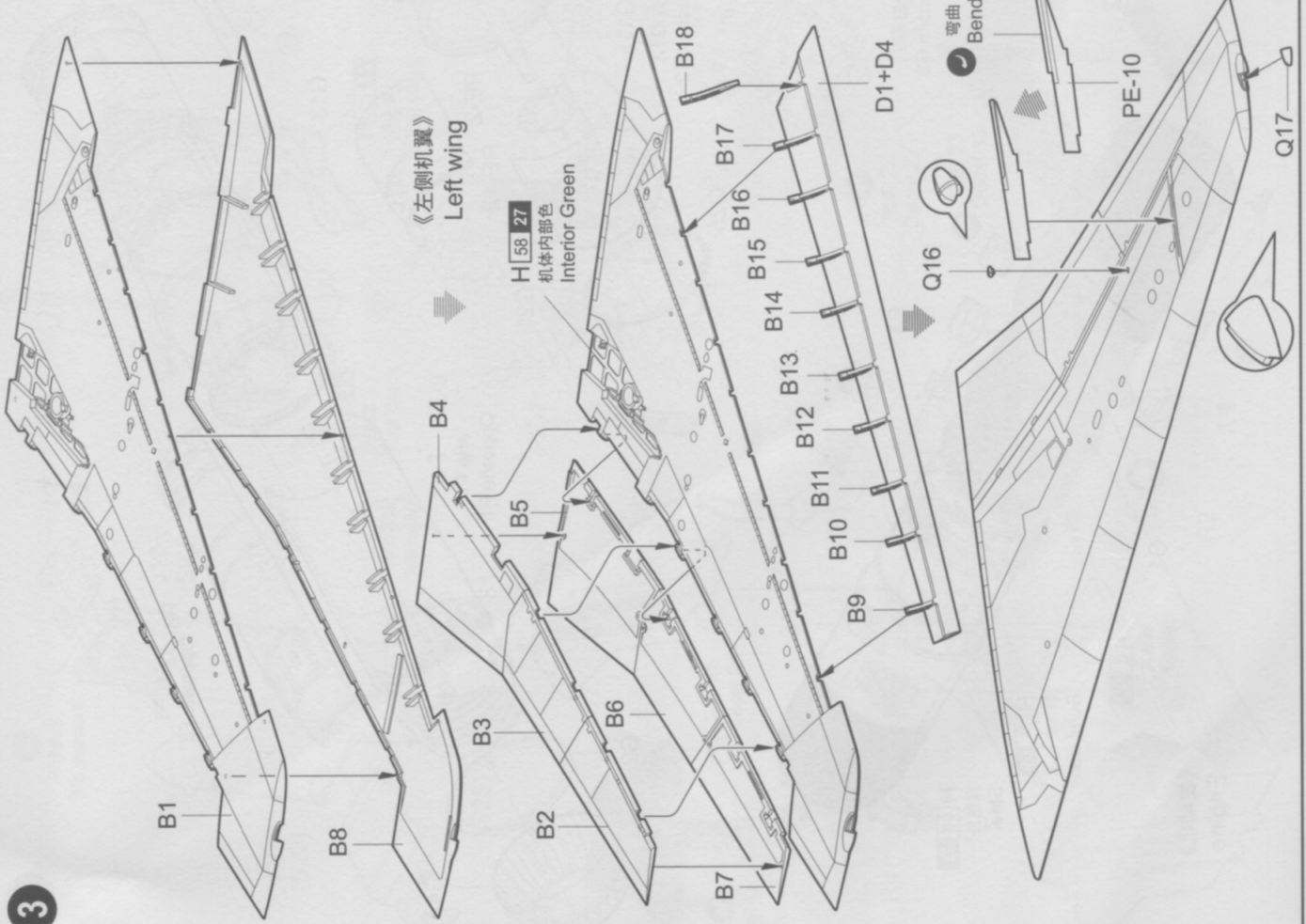
制作2组  
Make two

不涂胶水  
No cement

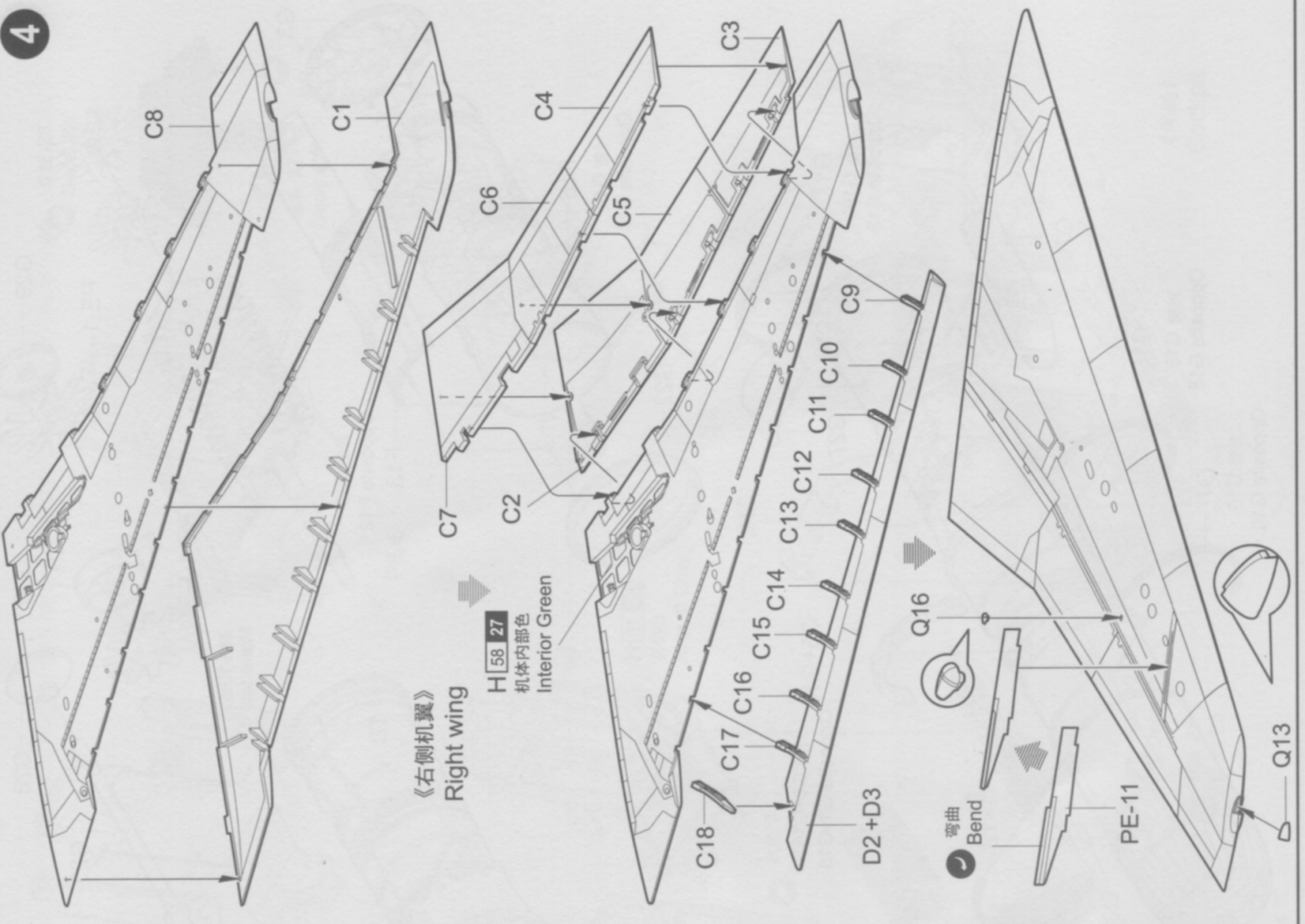


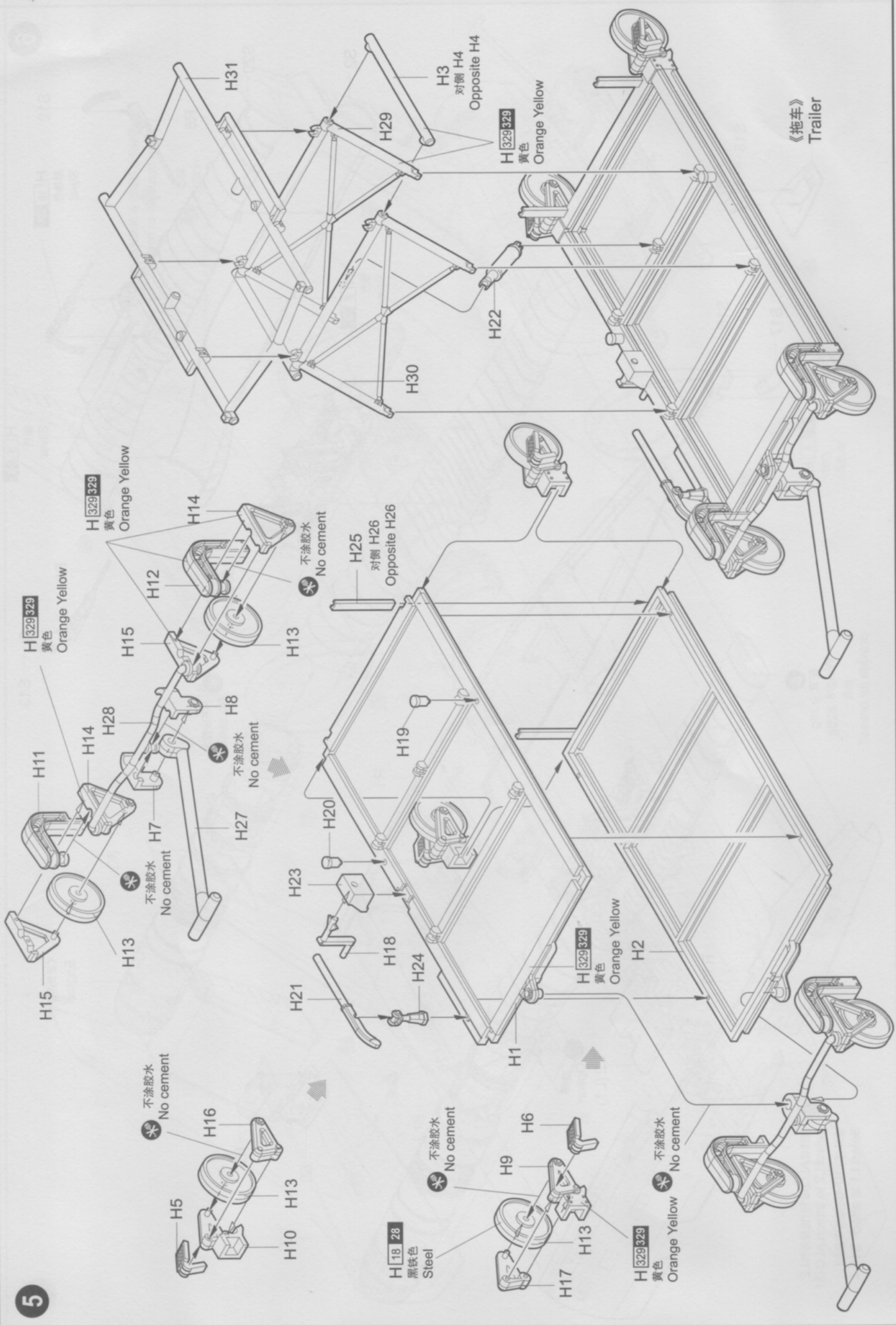
《发动机》 Engine

3

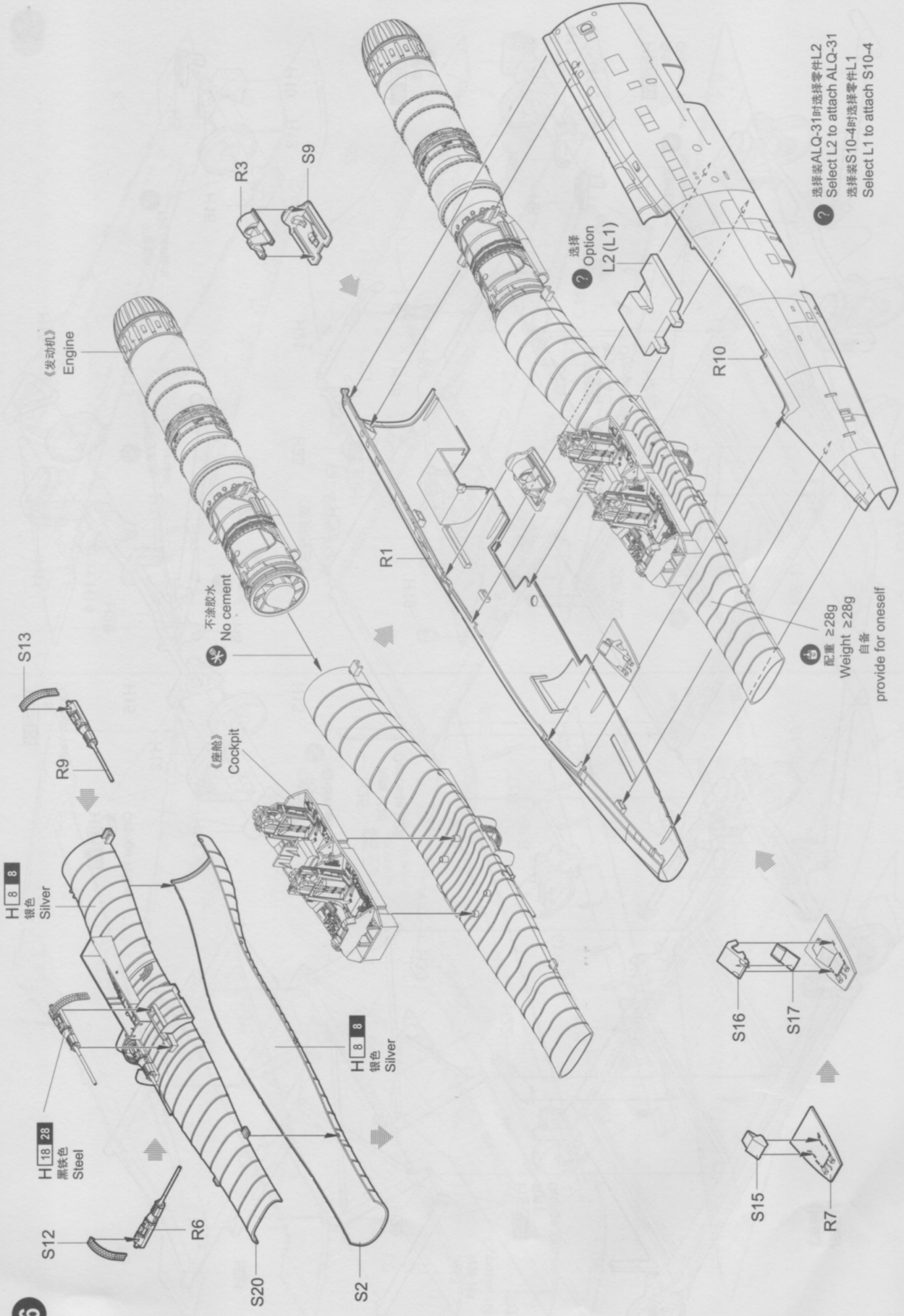


4





《拖车》  
Trailer



《发动机》  
Engine

不涂胶水  
No cement

《座舱》  
Cockpit

选择  
Option  
L2 (L1)

选择装ALQ-31时选择零件L2  
Select L2 to attach ALQ-31  
选择装S10-4时选择零件L1  
Select L1 to attach S10-4

自重 ≥ 28g  
Weight ≥ 28g  
自备  
provide for oneself

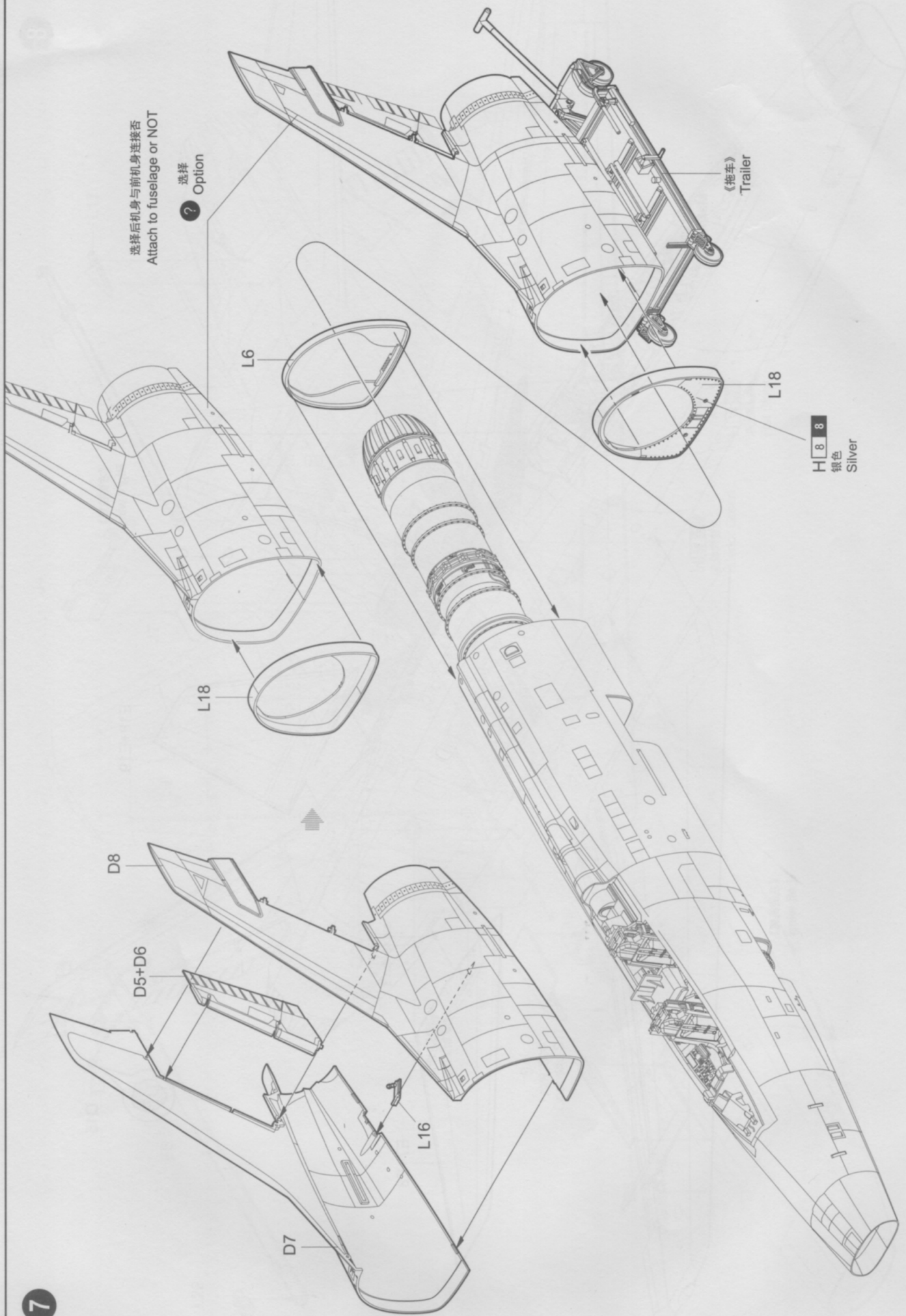
H | 8 | 8  
银色  
Silver

H | 18 | 28  
黑铁色  
Steel

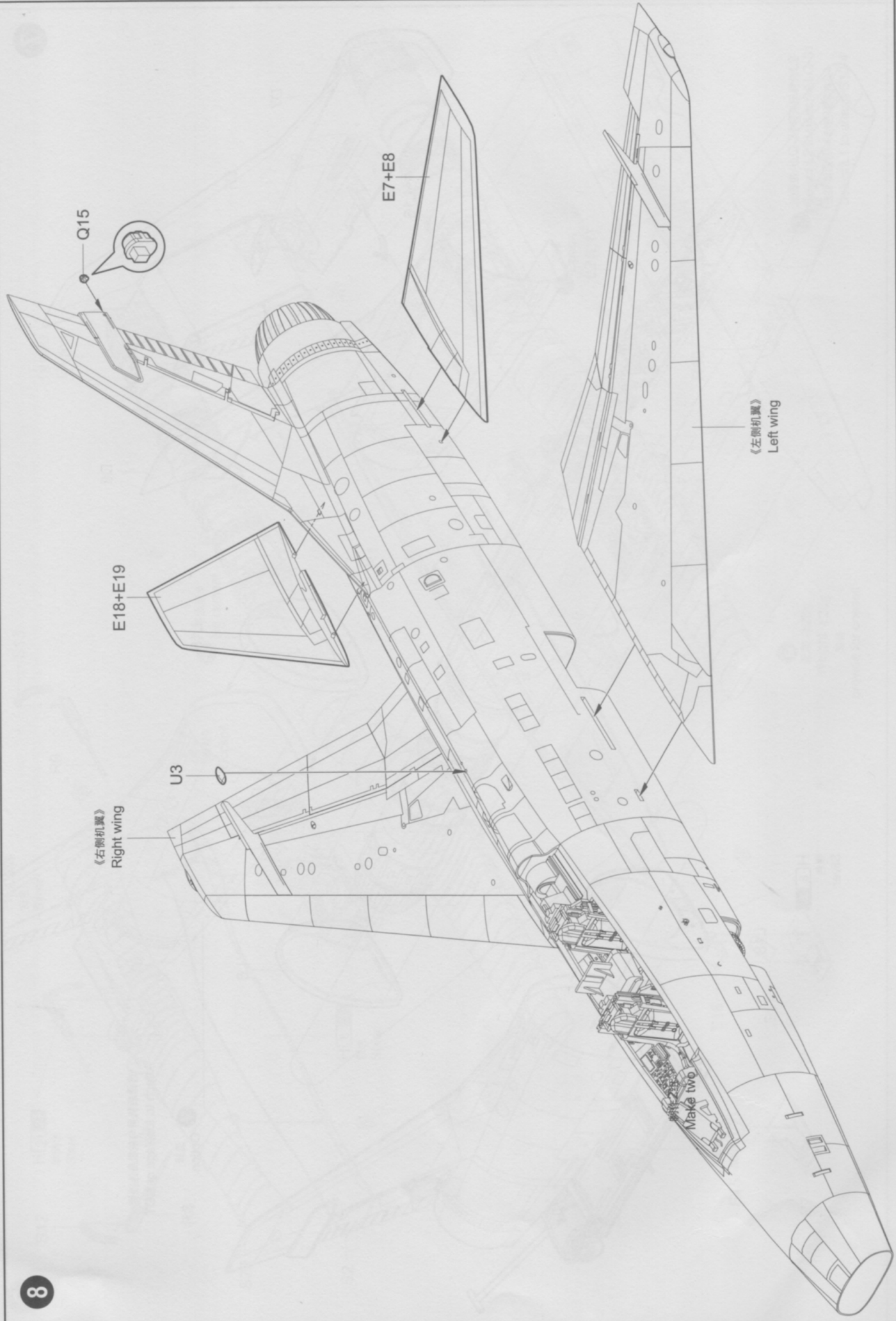
H | 8 | 8  
银色  
Silver

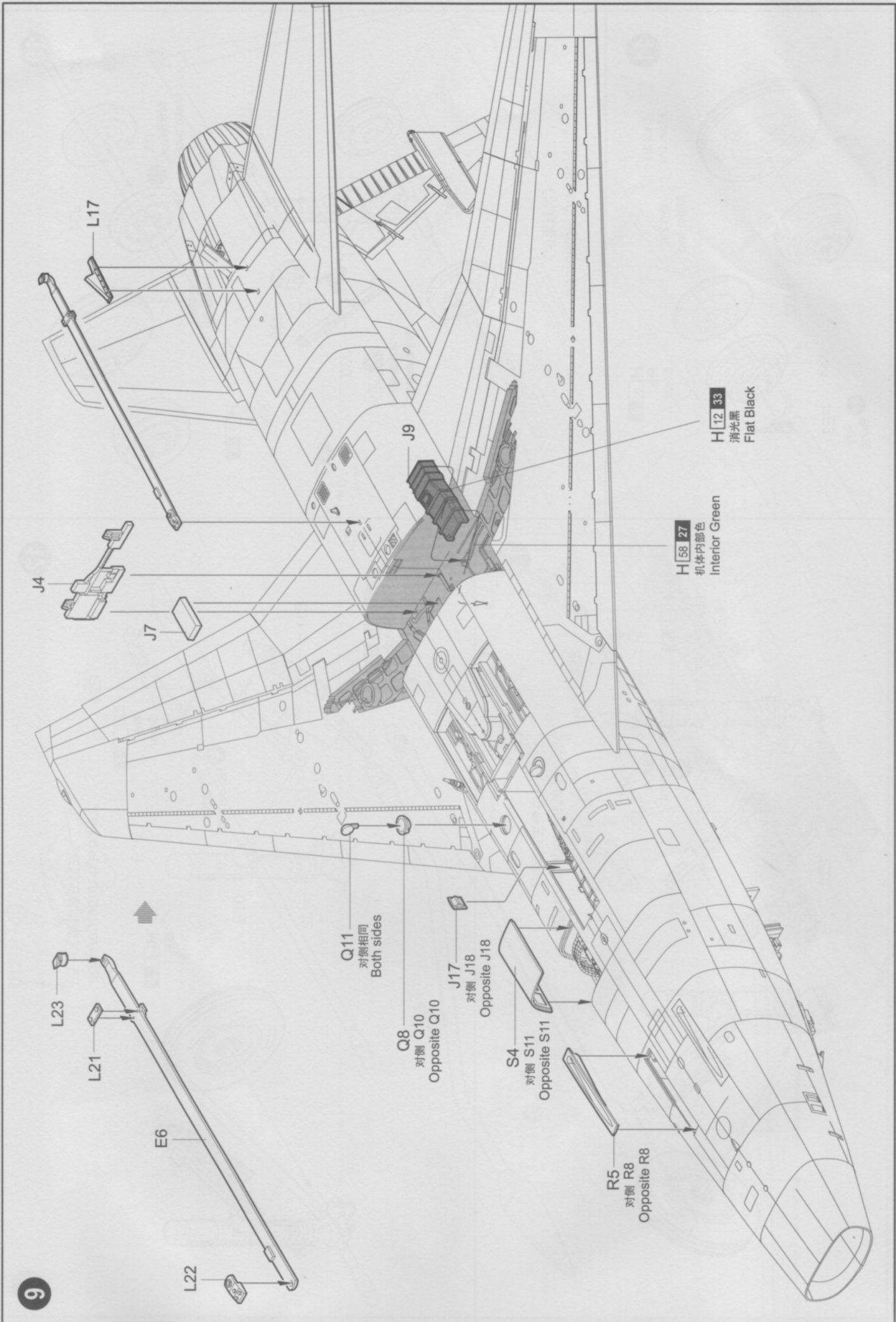
选择后机身与前机身连接否  
Attach to fuselage or NOT

选择  
Option

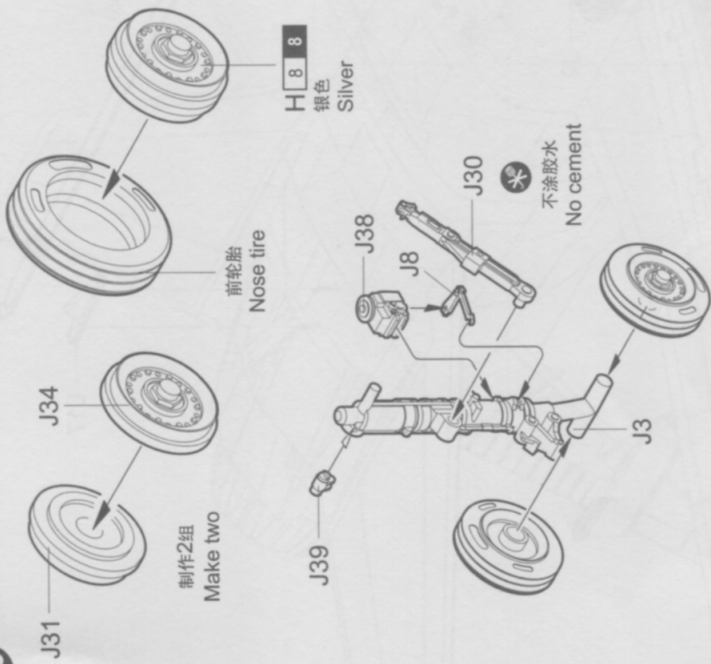


H 8 8  
银色  
Silver



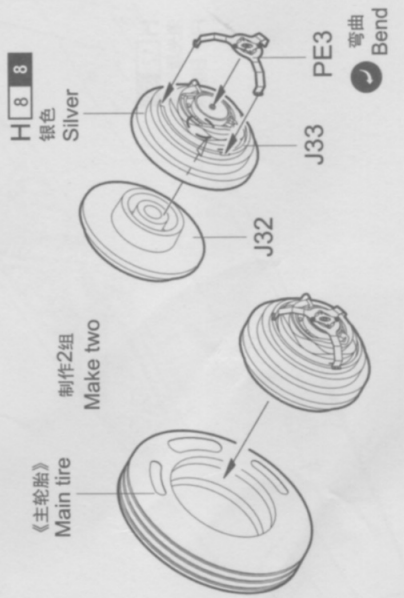


10



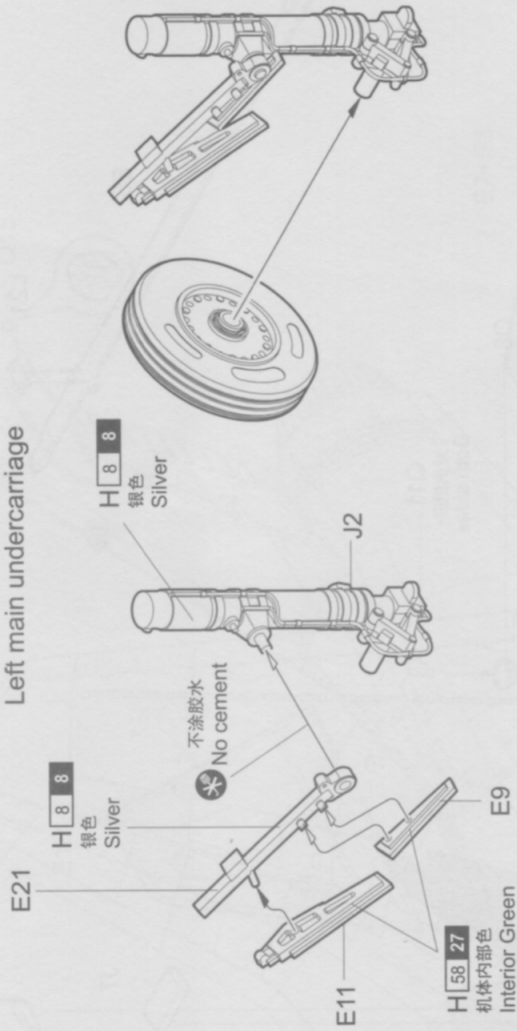
《前起落架》  
Nose undercarriage

11



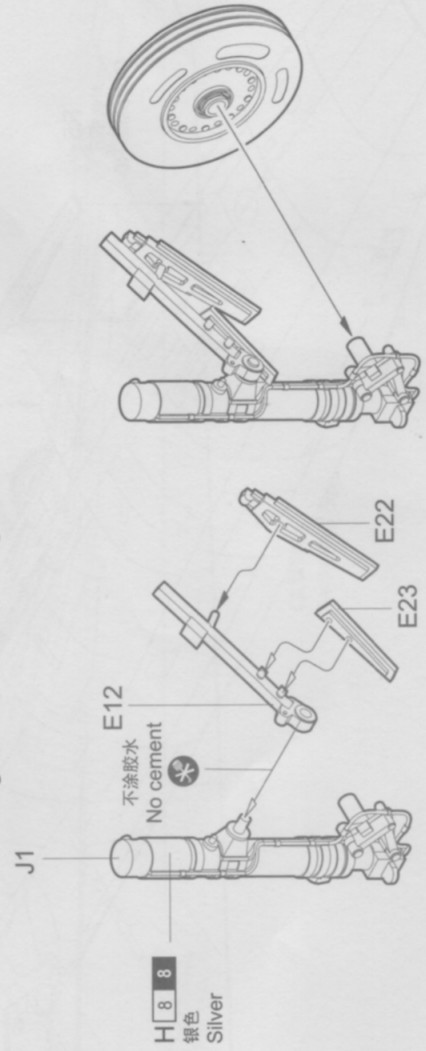
12

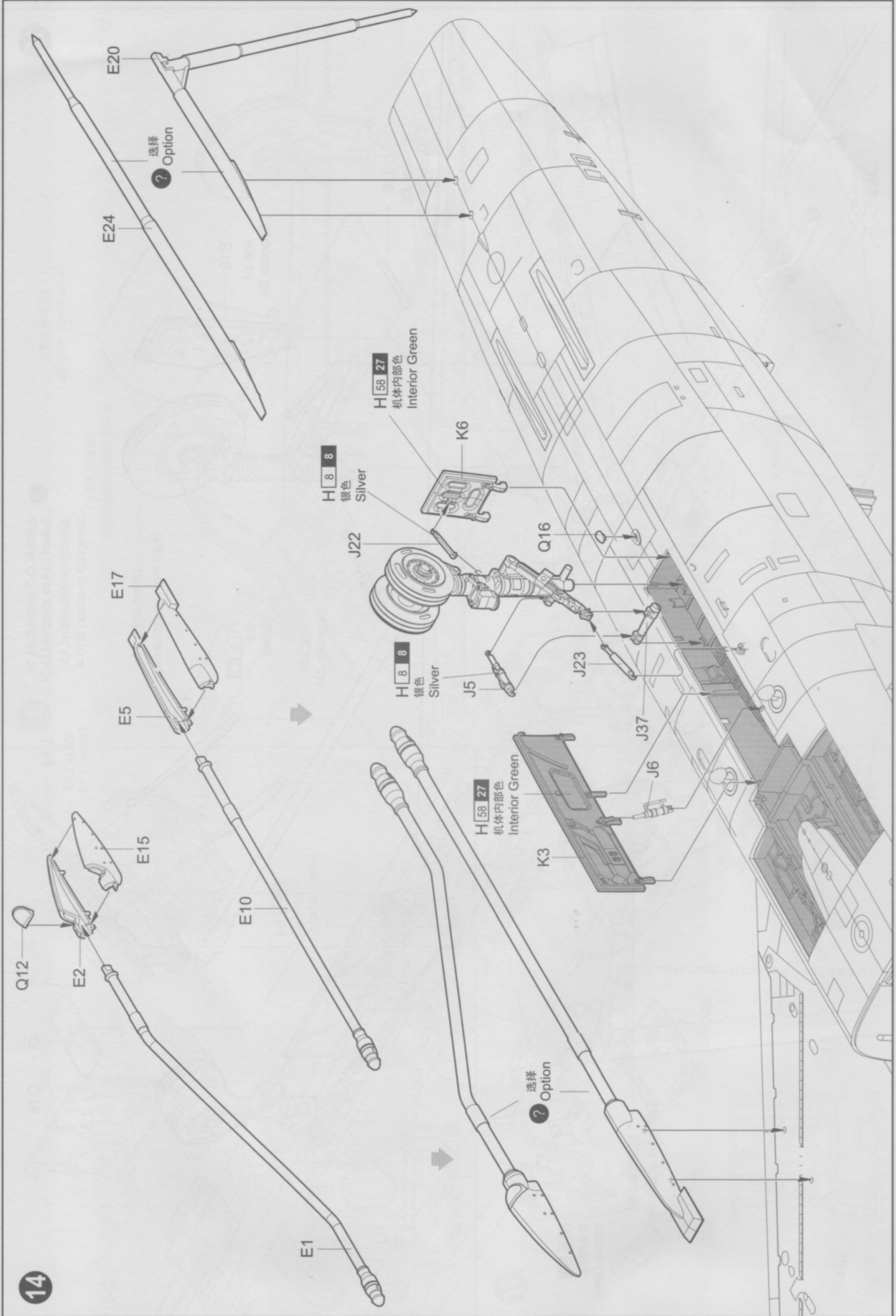
《左侧主起落架》  
Left main undercarriage



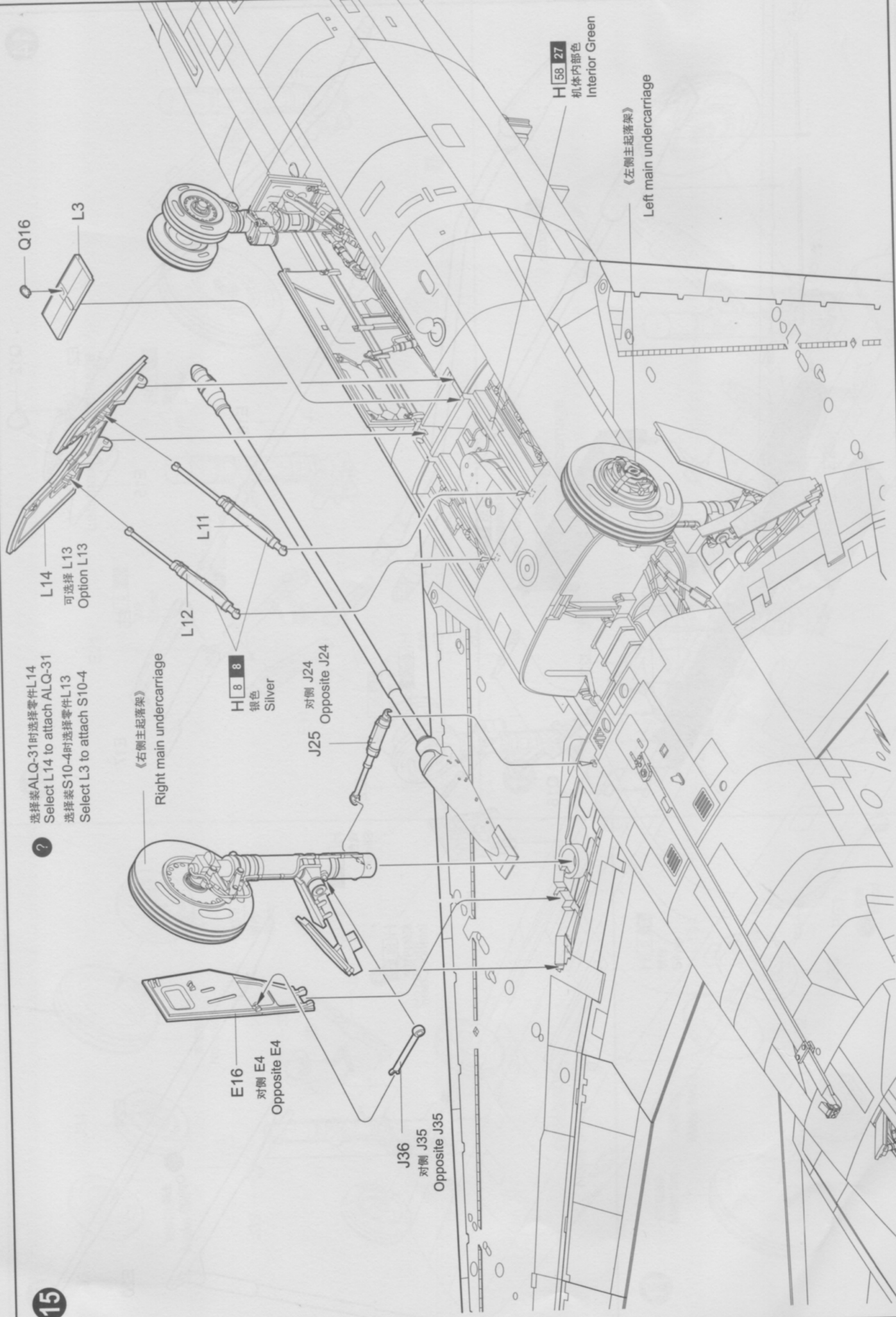
13

《右侧主起落架》  
Right main undercarriage

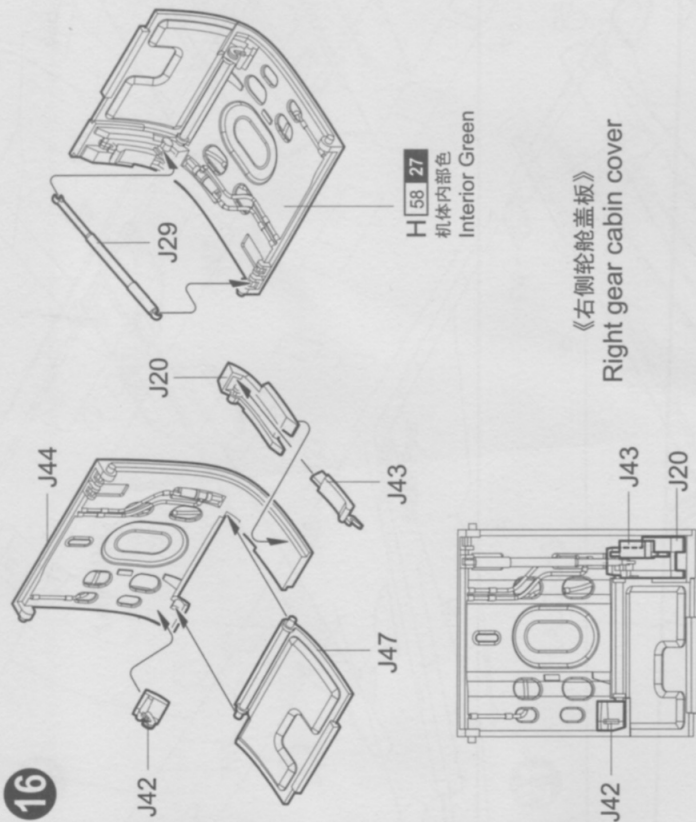




? 选择装ALQ-31时选择零件L14  
 Select L14 to attach ALQ-31  
 选择装S10-4时选择零件L13  
 Select L13 to attach S10-4



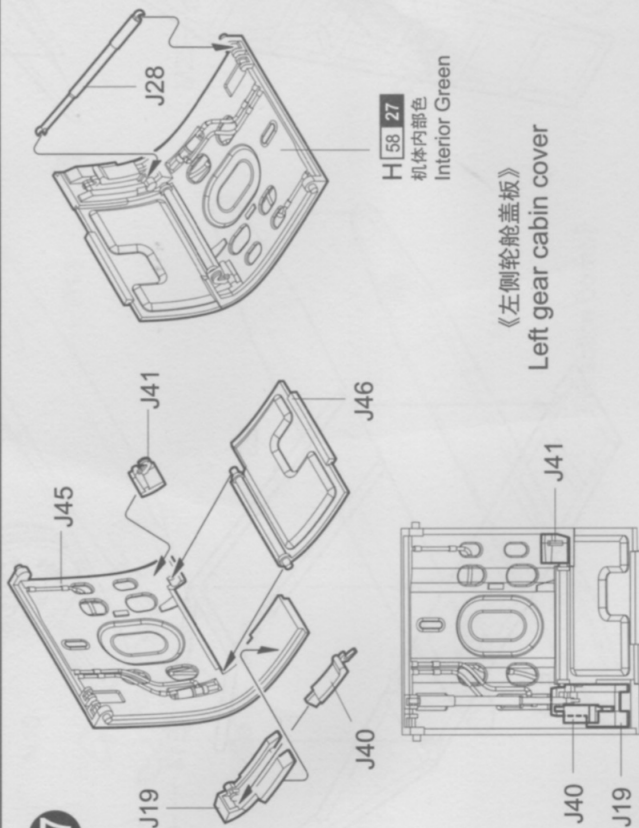
16



H[58] 27  
机体内部色  
Interior Green

《右侧齿轮舱盖板》  
Right gear cabin cover

17



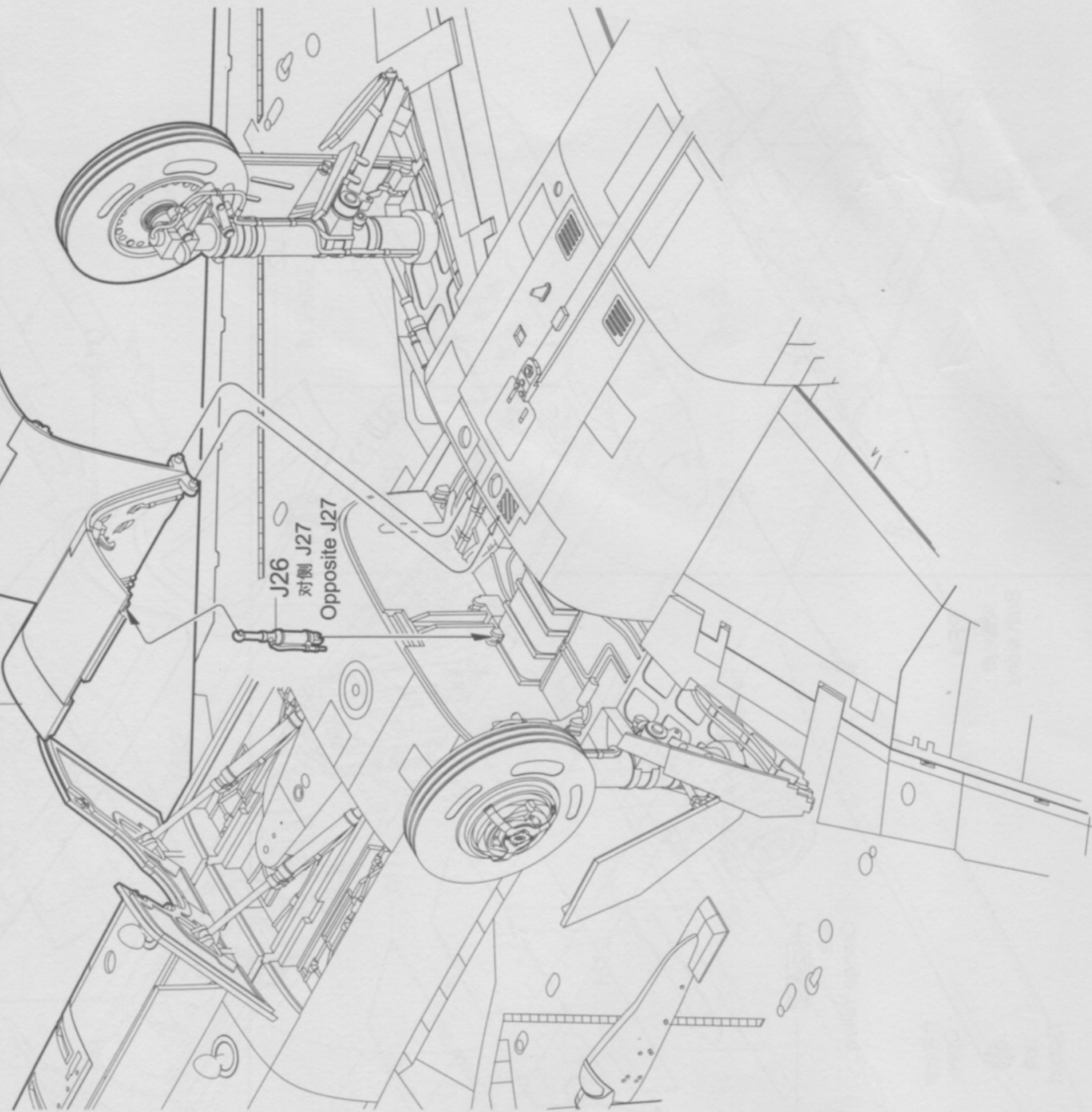
H[58] 27  
机体内部色  
Interior Green

《左侧齿轮舱盖板》  
Left gear cabin cover

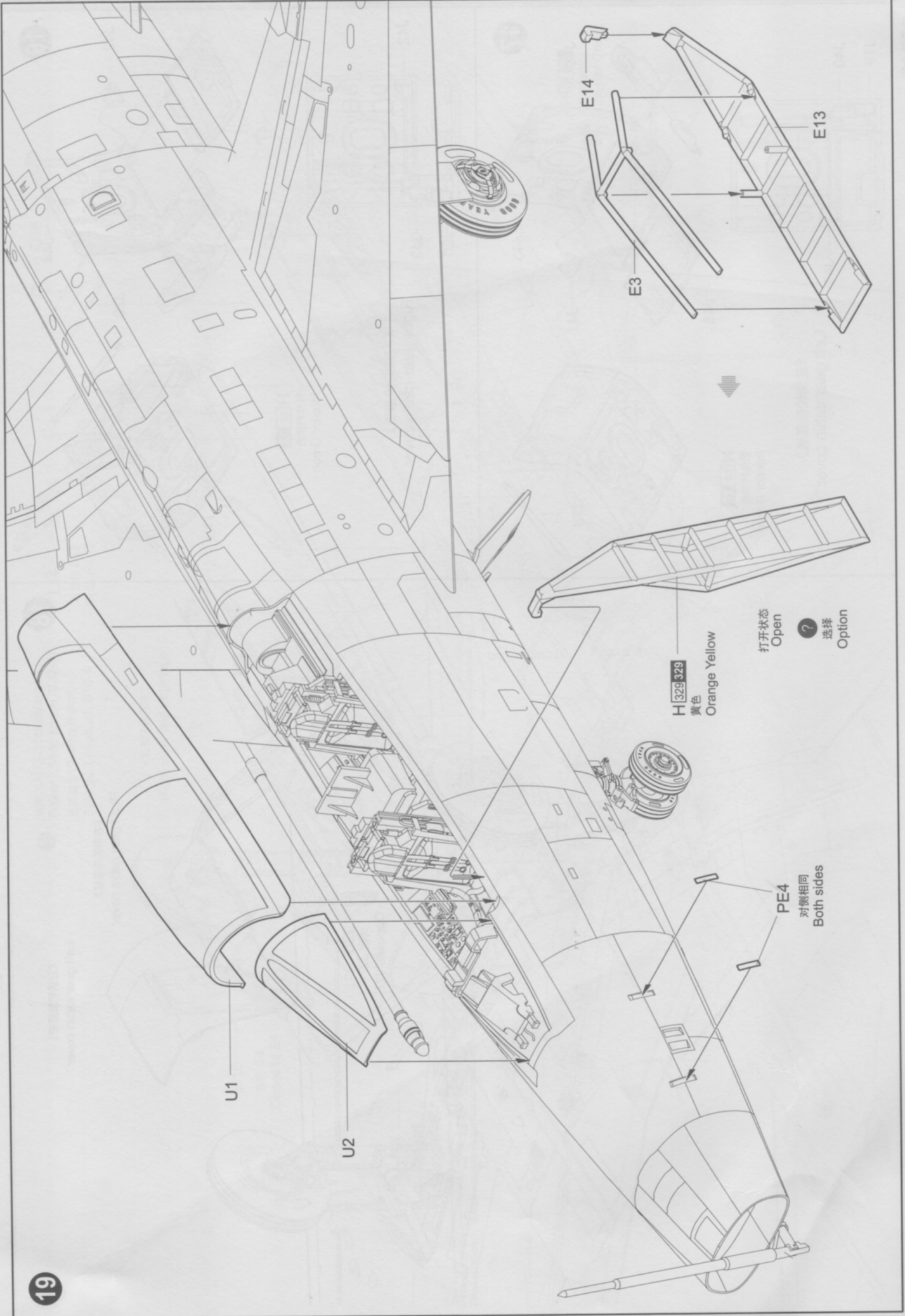
18

《左侧齿轮舱盖板》  
Left gear cabin cover

《右侧齿轮舱盖板》  
Right gear cabin cover

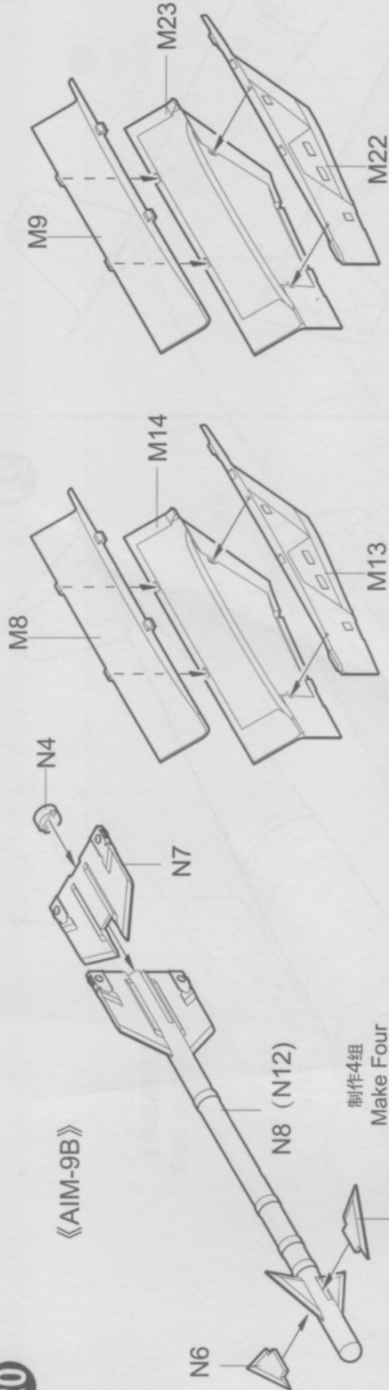


J26  
对侧 J27  
Opposite J27



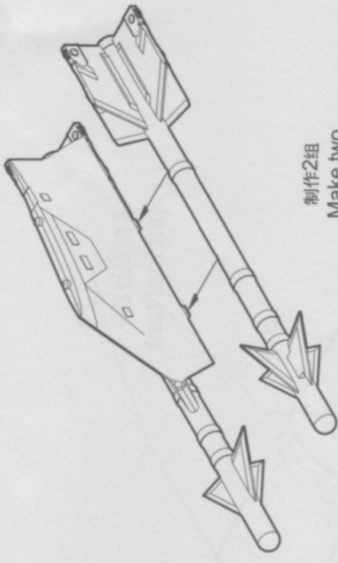
20

《AIM-9B》



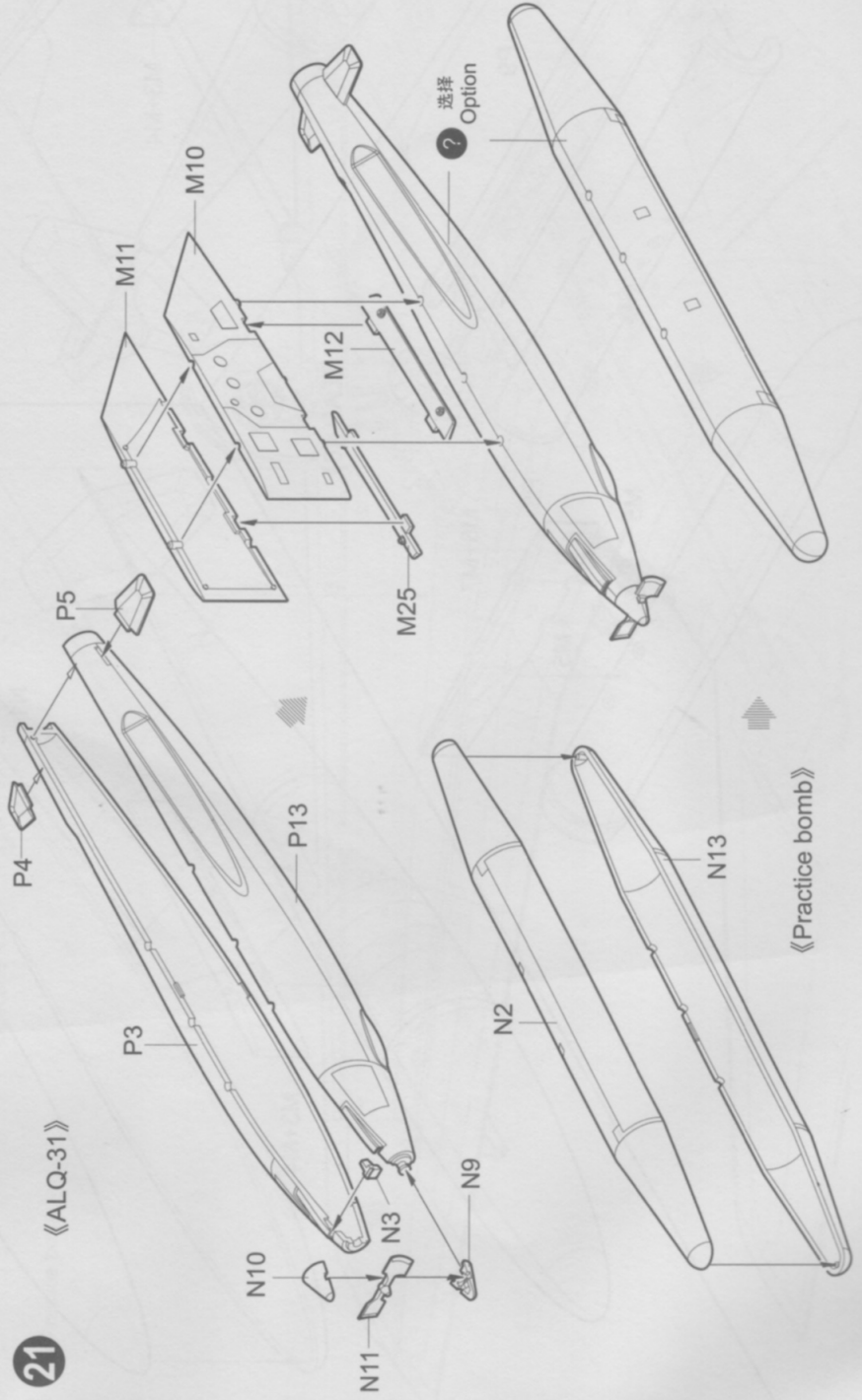
制作4组  
Make Four

制作2组  
Make two



21

《ALQ-31》

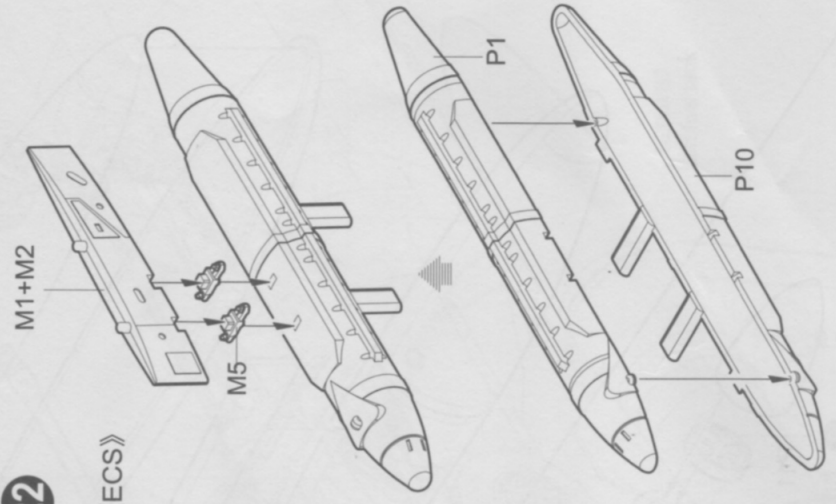


选择  
Option

《Practice bomb》

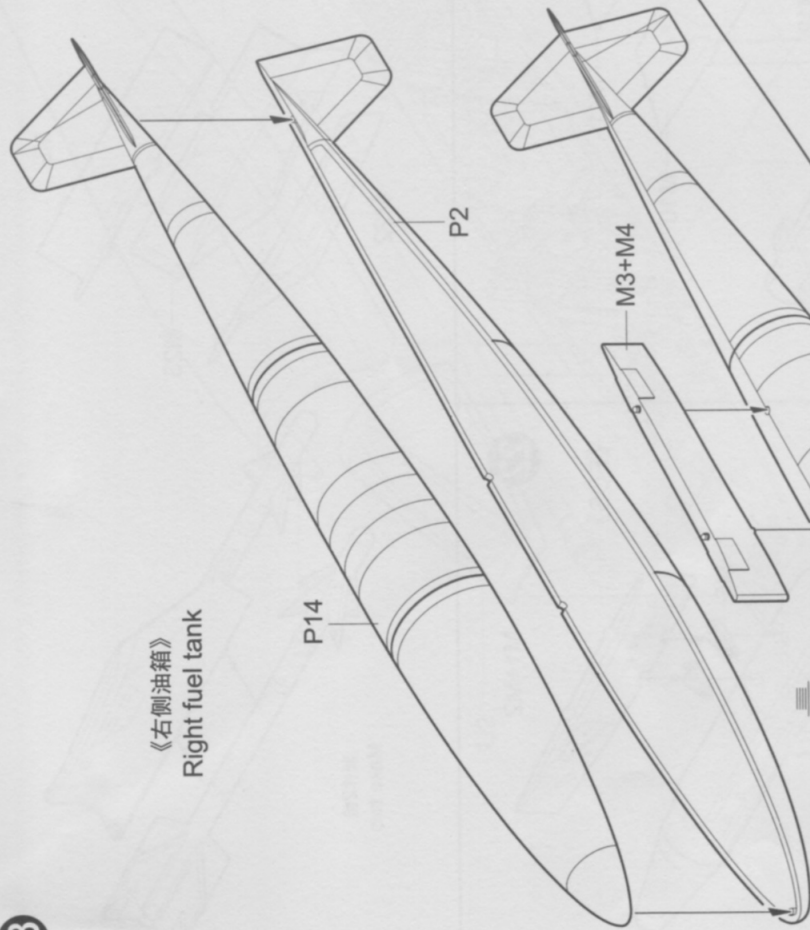
22

《ECS》



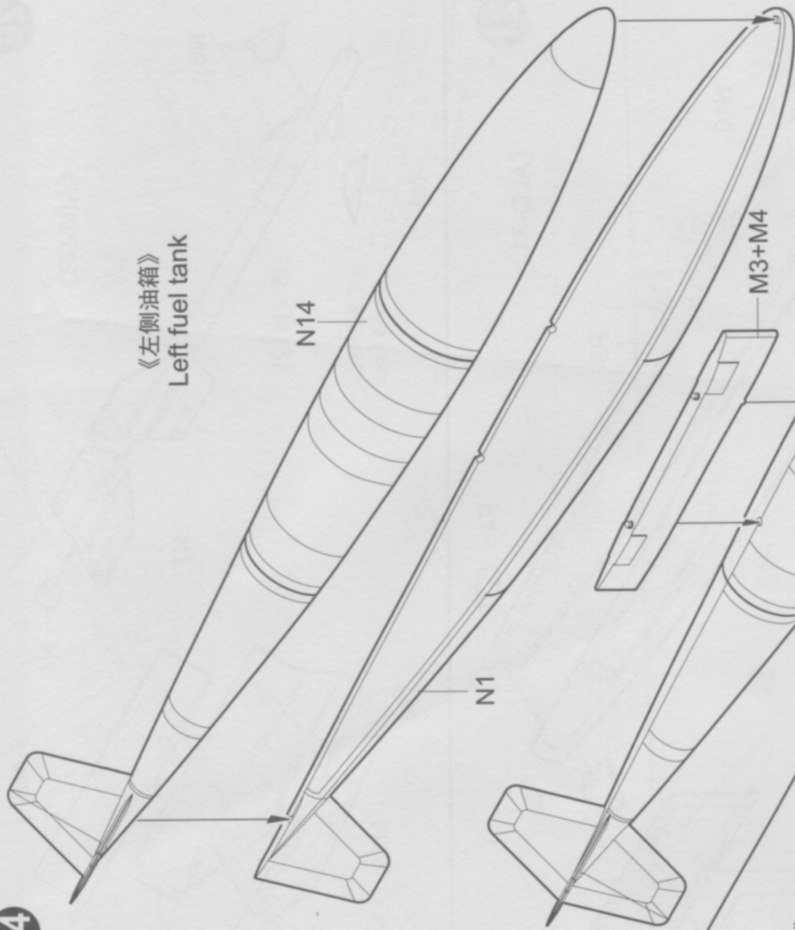
23

《右侧油箱》  
Right fuel tank



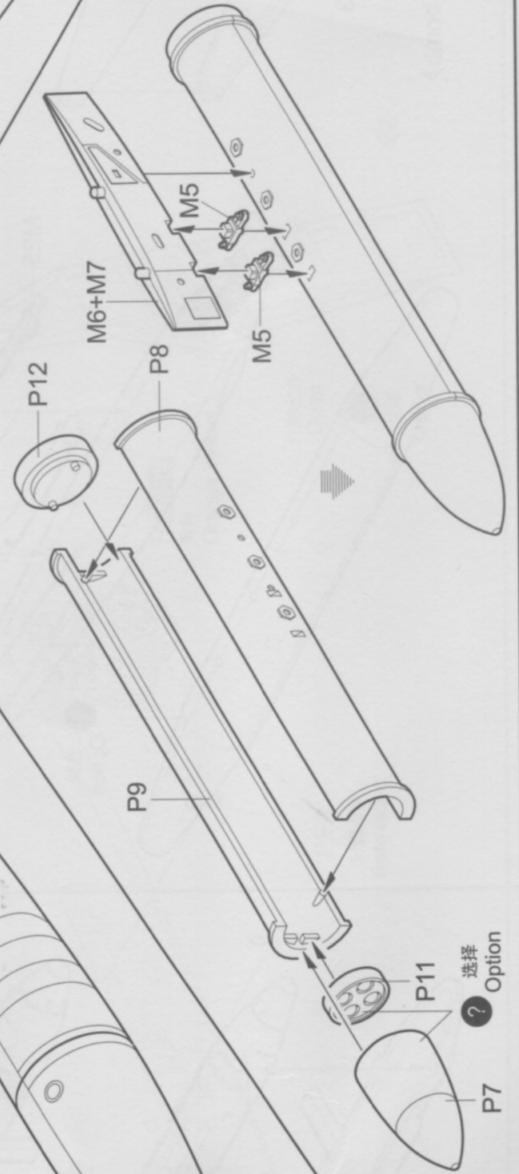
24

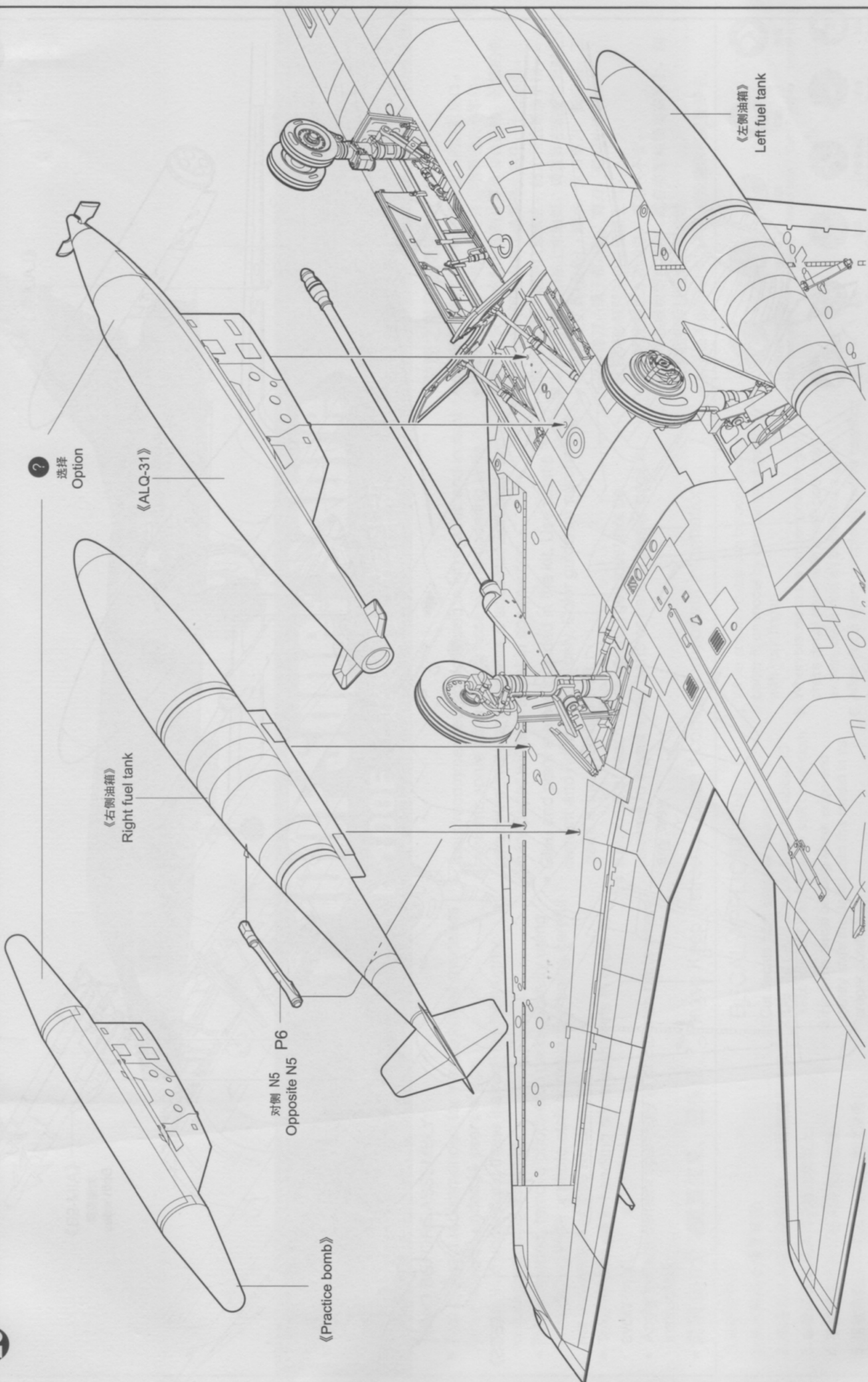
《左侧油箱》  
Left fuel tank

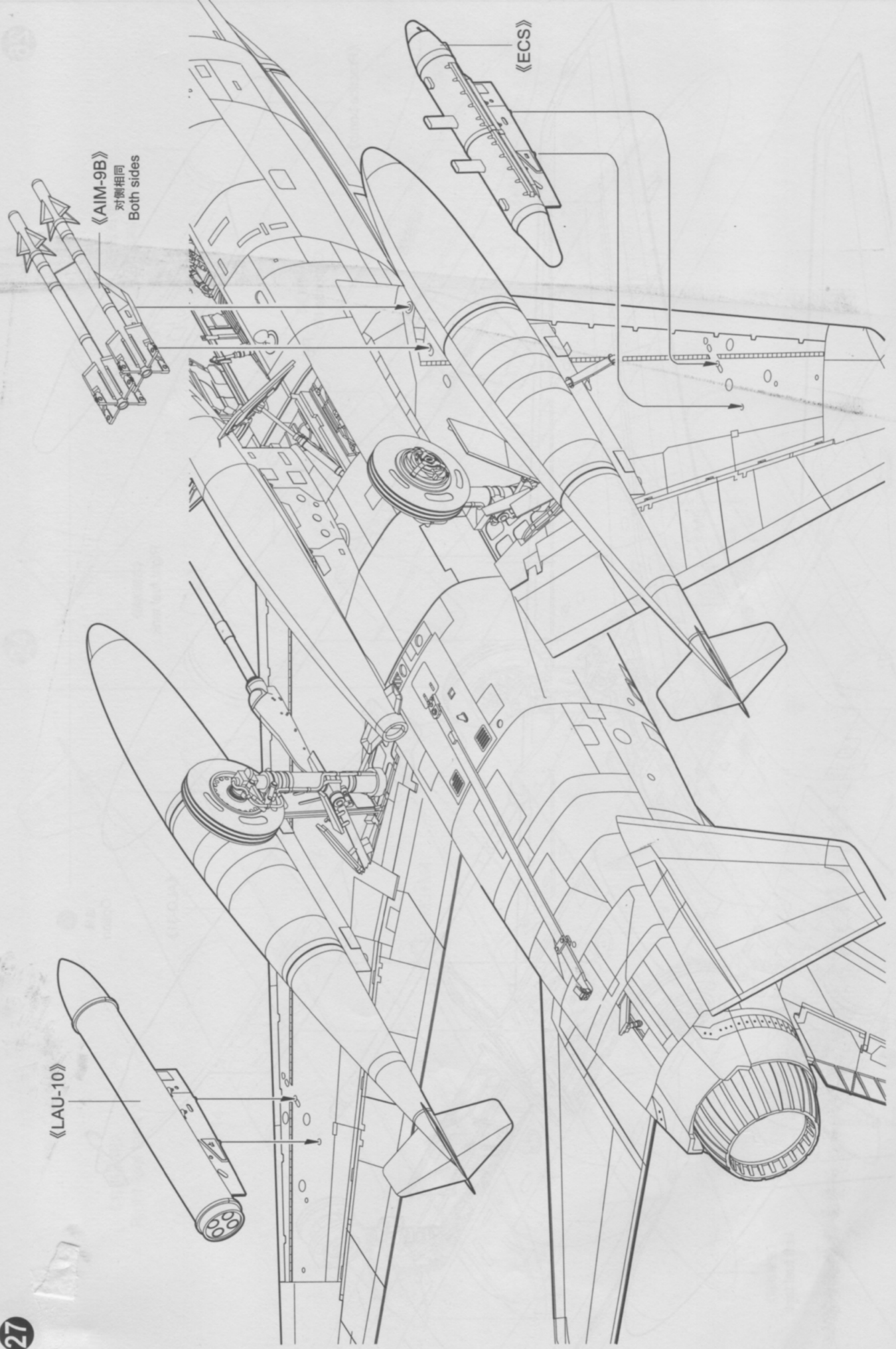


25

《LAU-10》





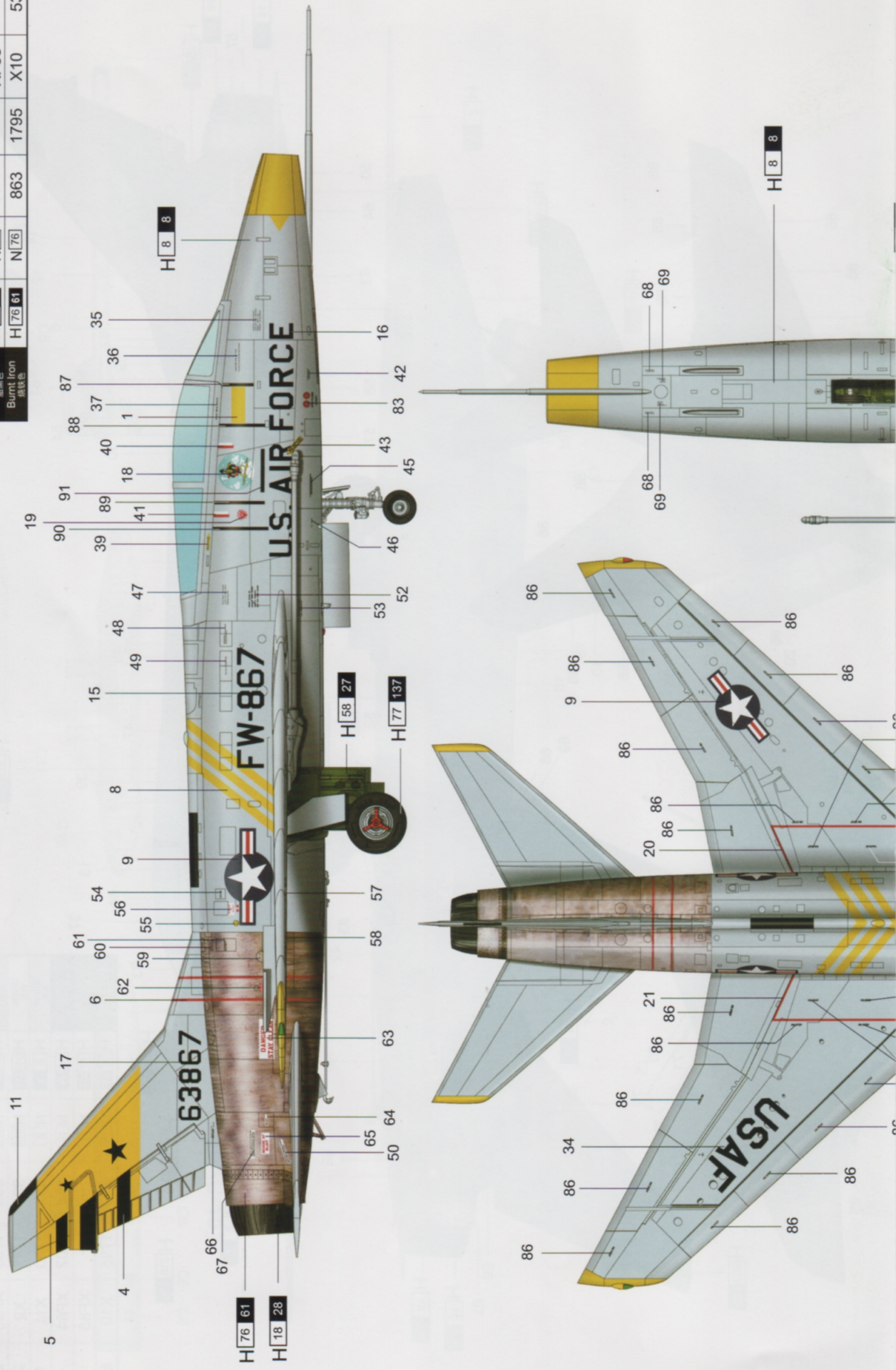


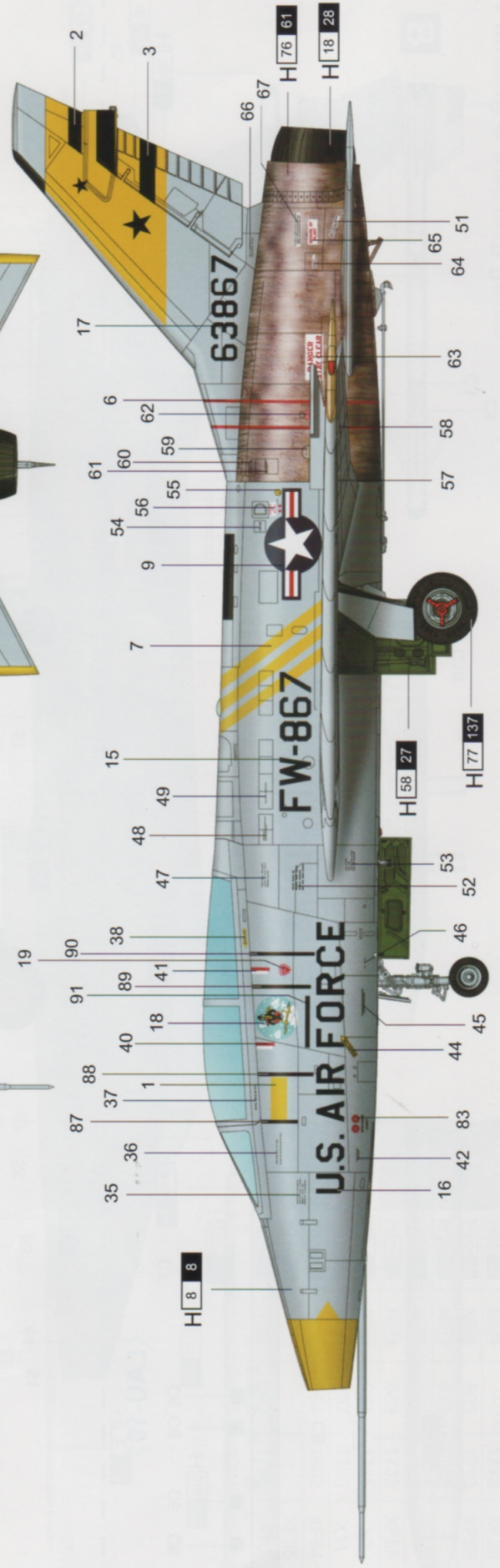
# 涂装同标贴指示 Painting & Marking guide

## PAINT REFERENCE COLOR

Color	Mr.Hobby	Acrysolon	Vallejo	Model Master	Tamiya	Humbrol
Interior Green 机舱绿色	H 58 27	N 58	—	—	—	—
Grey 灰色	H 31 311	N 31	883	1733	XF55	28
Silver 银色	H 8 8	N 8	997	1730	X11	11
Steel 深灰色	H 18 28	N 18	864	1402	XF84	—
Tire Black 胎黑色	H 77 137	N 77	—	—	XF85	—
Burnt Iron 深铁色	H 76 61	N 76	863	1795	X10	53

**A**





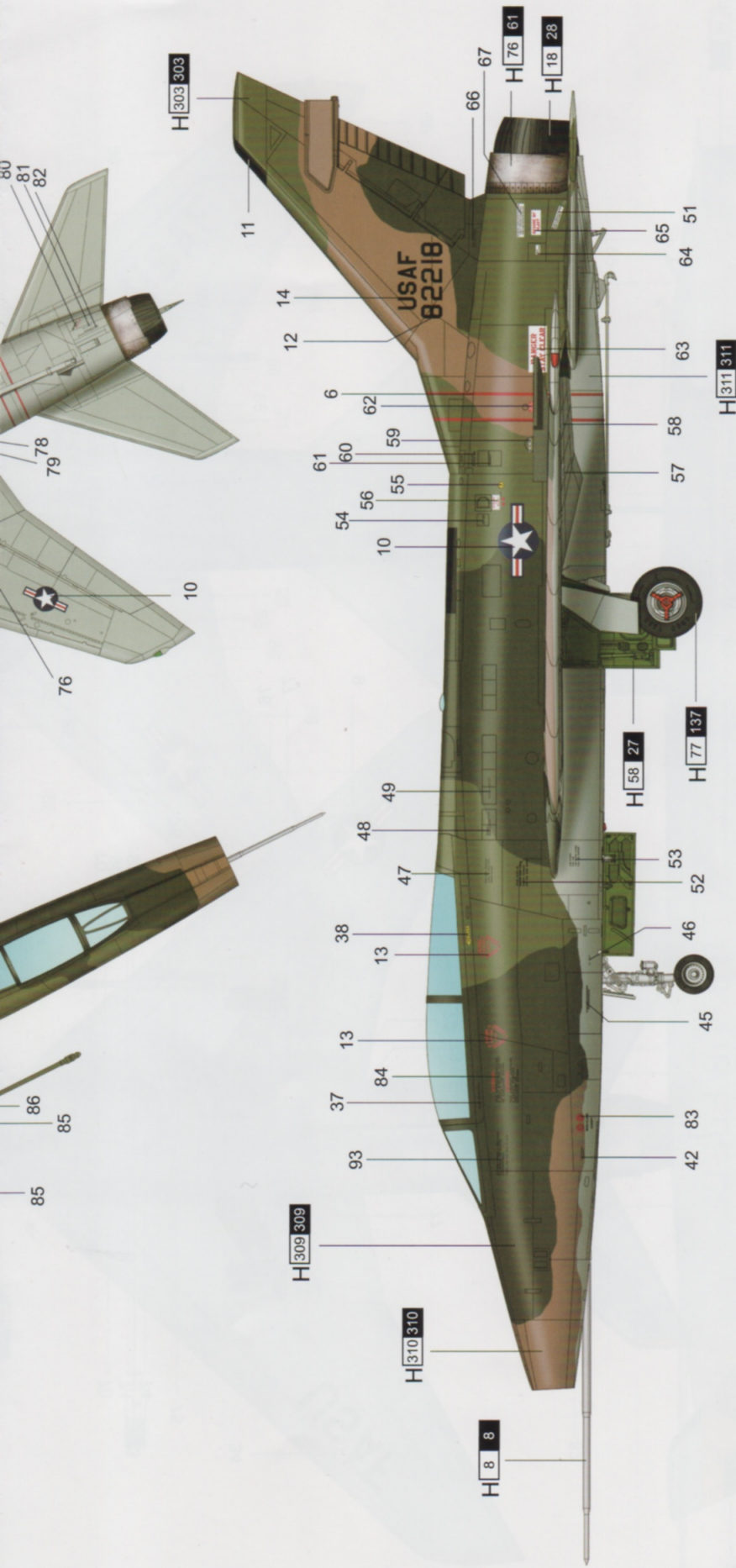
H  AQUEOUS HOBBY COLOR     Mr. COLOR    N  ACRYSION COLOR

# 涂装同标贴指示 Painting & Marking guide

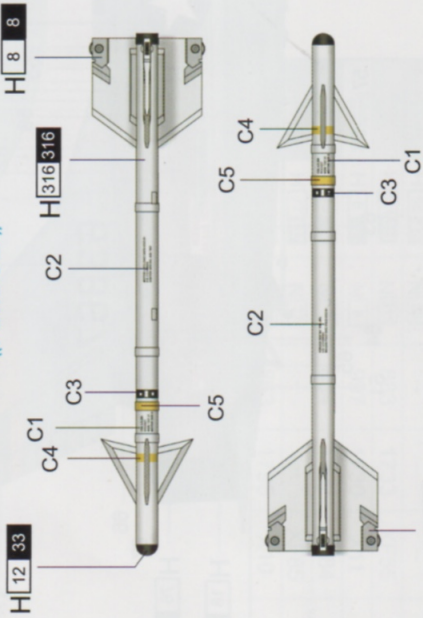
## PAINT REFERENCE COLOR

COLOR	Mr.Hobby	Acryslon	Vallejo	Tamiya	Humbrol
Light Green 浅绿色	H 303 303	N 303	—	XF20	117
Forest Green 绿色	H 303 309	N 309	893	XF58	116
Brown 棕色	H 311 310	N 310	874	—	118
Interior Green 机身内部绿色	H 58 27	N 58	—	—	—
Gray 灰色	H 311 311	N 311	883	XF55	28
White 白色	H 311 316	N 316	991	X2	22
Silver 银色	H 8 8	N 8	997	X11	11
Steel 深灰色	H 18 28	N 18	864	XF84	—
Tire Black 黑色	H 77 137	N 77	—	XF85	—
Burnt Iron 深棕色	H 76 61	N 76	863	X10	53

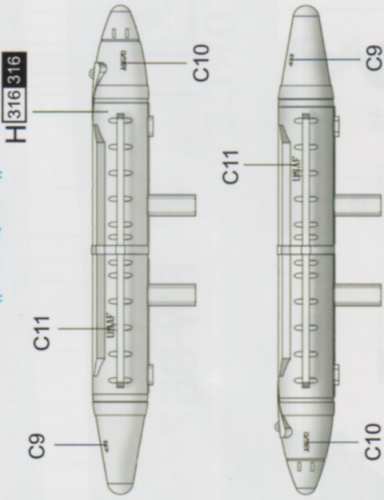




«AIM-9B»



«ALQ-87»



«LAU-10»



H X AQUEOUS HOBBY COLOR

X MR. COLOR

N X ACRYSION COLOR

1/32  
scale

02246

# F-100F Super Sabre



**NEW VARIANT!**

F-100 Super Sabre was a supersonic jet fighter aircraft that served with the USAF. First flew on 25 May 1953, followed by the first production F-100 on 9 October 1953. The F-100F two-seat trainer entered service in 1958. It remains most the same weapons and airframe upgrades as the F-100D. The F-100F would conduct dangerous low-level missions to spot targets for other fighter-bombers, reconnaissance, SAR (search and rescue) and was the first "Wild Weasel" SEAD (suppression of enemy air defenses) aircraft. The "Hun" logged over 360,000 combat sorties during the Vietnam War until operations ended in 1971.

The kit consists of 450 parts on 18 sprue. 32 parts photo-etched and 4 tire.



Decal A



Decal B

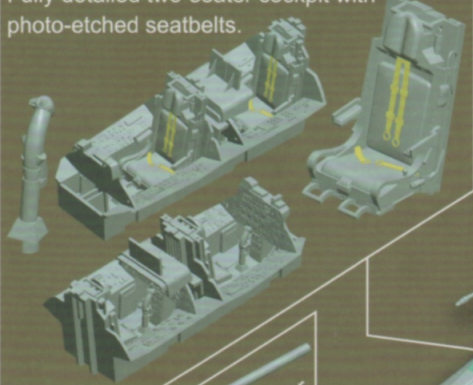


Decal C



PE

Fully detailed two-seater cockpit with photo-etched seatbelts.



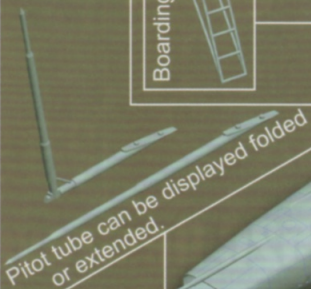
20mm M39A1 revolver cannon  
cannon included.



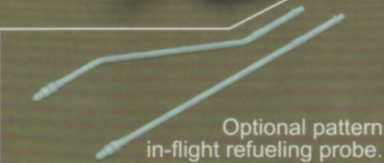
Boarding ladder.



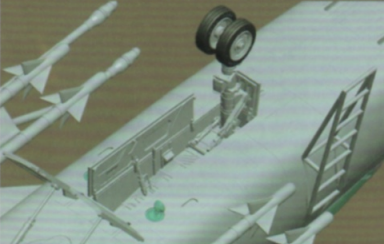
Pitot tube can be displayed folded  
or extended.



Optional pattern  
in-flight refueling probe.



Detailed nose gear wheel bay.



Detailed main  
gear door.



Air brakes can be displayed  
open or closed.



Detailed Pratt & Whitney J57 engine  
with photo-etched compressor  
turbines.



Tail section can be removed to extract  
and display engine.



Assorted ordnance and  
fuel tanks included.



Detailed landing gears with  
rubber tires.



Trumpeter\_Hobbyboss

Trumpeter\_Hobbyboss

trumpeter&hobbyboss fan club

小号手模型