

# M198 155mm Medium Towed Howitzer (Early Version)

## 美国M198(155mm)榴弹炮早期型

### READ BEFORE ASSEMBLY:

- Study and understand these instructions thoroughly before beginning assembly
- When needed, remove photo-etch parts carefully using a modeling knife or photo etch sprue cutter, being careful not to damage or lose small parts.
- Take extra care in handling photo etch parts in order to avoid injury
- Apply instant cement sparingly to photo etch parts where instructed
- Tools recommended(not included in kit):Plastic and instant cements, sprue cutters,long nose pliers,modeling knife, small files, tweezers, pin vise & scissors. Soft cloth and sandpaper will also assist in construction
- Glue and paint are not included in the kit. Use plastic cement and hobby paints only. Color guide for purchasing paint is included in the kit.

### 装配之前仔细阅读

- 小心用模型锉刀锉平所有零件表面的注射浇口。
- 小心用刀片切下蚀刻片零件，不要遗失小零件。
- 用强力快干胶水粘合蚀刻片零件和金属轴。过量快干胶水使用可能导致可动零件会粘住，小心涂胶。
- 取蚀刻片时应特别注意安全，防止利边划伤手指。
- 某些零件表面需贴上水贴纸，请选择在装配的同时进行。
- 推荐模型工具(自备)：胶水，水口剪刀，长咀钳，刀片，锉刀，镊子，钳，钻，剪刀，瞬间快干胶。
- 软布同砂纸同时也应该是必备工具。
- 请使用塑料胶水和油漆，模型内不含。



配重  
Weight



使用强力胶  
Cyanoacrylate glue



钻孔  
Make hole



切除  
Cut / Remove



贴纸  
Decal



锉平  
File / Sand



选择  
Option



不涂胶水  
No cement



弯曲  
Bend

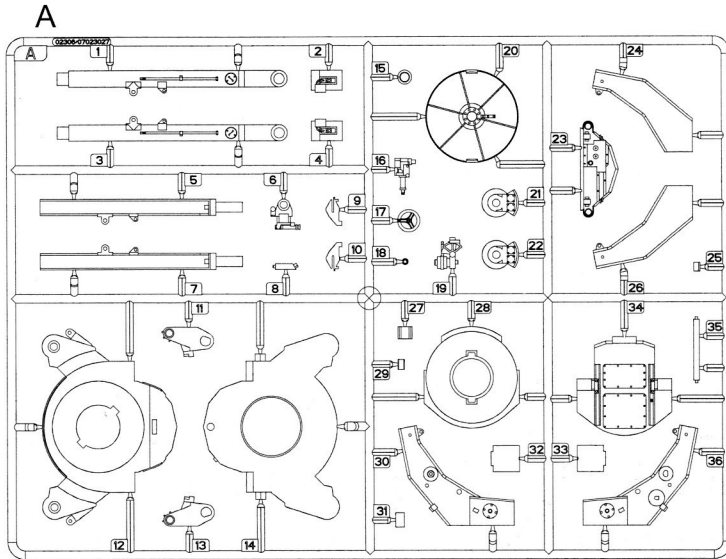
### 水贴纸的使用:

- 1.从水贴纸上剪下印花;
- 2.将印花放入温水中浸10秒, 然后放在干净布上。
- 3.拿着印花纸板将印花移到模型上;
- 4.手指蘸水将印花移到适当的位置;
- 5.用软布轻压印花直至水干, 气泡消失

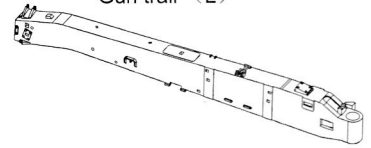
### DECAL APPLICATION

- 1.Cut decals from sheet as needed
- 2.Dip the decal in warm water for about 10 seconds and then place on soft clean cloth.
- 3.Hold the decal backing sheet edge and gently slide the decal onto the model in its proper position.
- 4.While still wet,decal can be adjusted for better fit on model by dampening it gently with your finger.
- 5.When placed in the proper position,gently press decal down with a soft cloth until excess water and air bubbles are gone.
- 6.Allow decal to dry completely before handling model

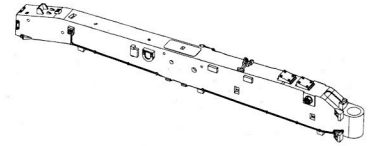
# 部品图 Parts



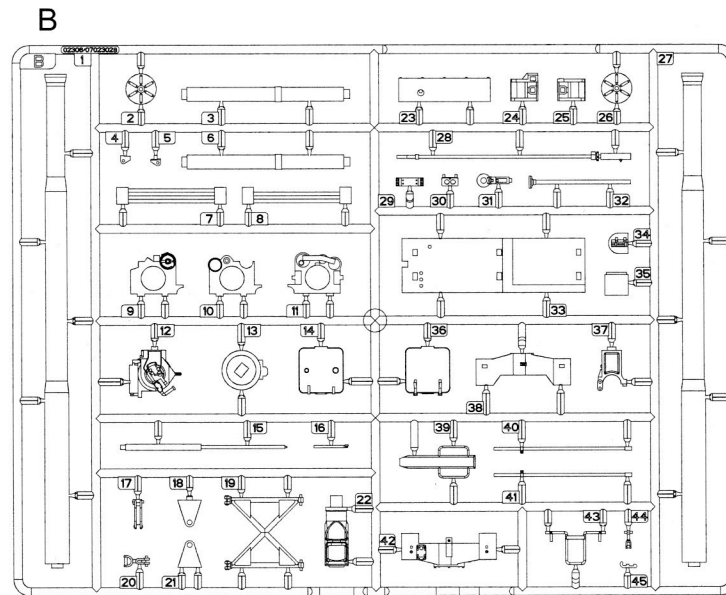
《左大架》  
Gun trail (L)



《右大架》  
Gun trail (R)



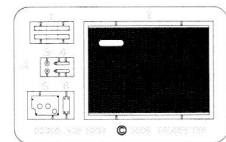
《大轮胎》 X2  
Tyre (thick)



《小轮胎》 X2  
Tyre (thin)



《蚀刻片》  
PE



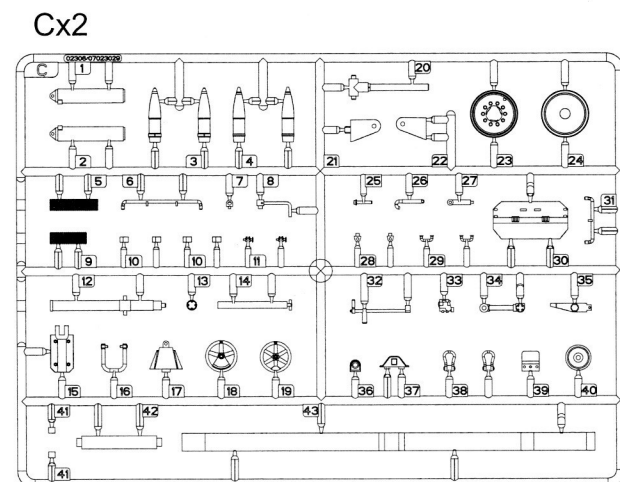
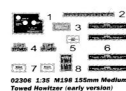
《拱形盖》 X2  
Vaulted cover



《棉绳》  $\phi 0.6 \times 500$ mm  
String

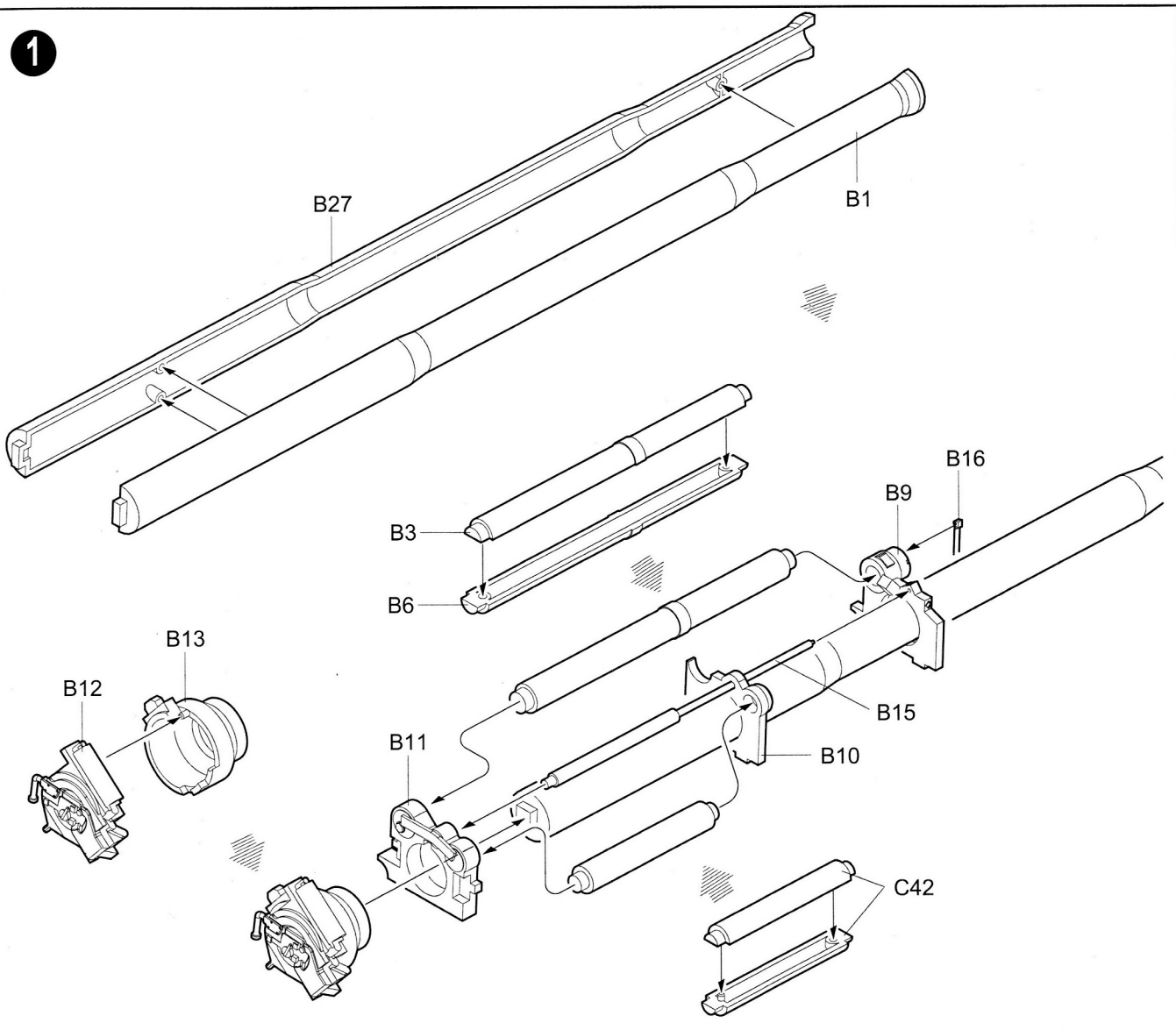


《水贴纸》  
Decal

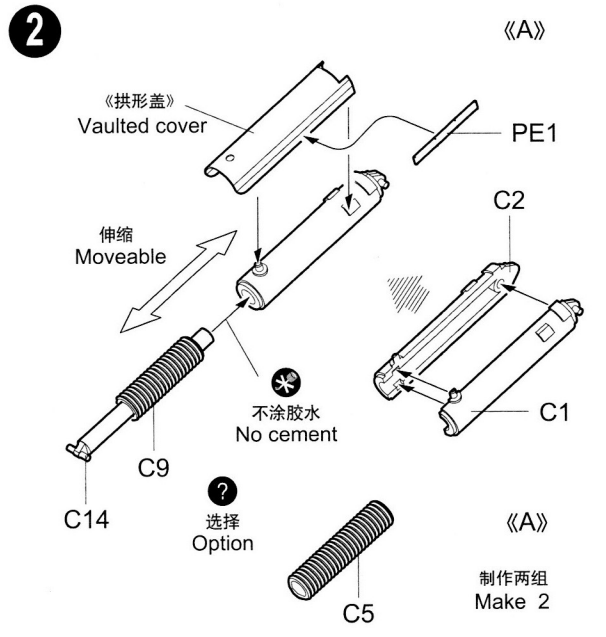


不用部品: B29. B30. C18. PE-A6  
No used parts

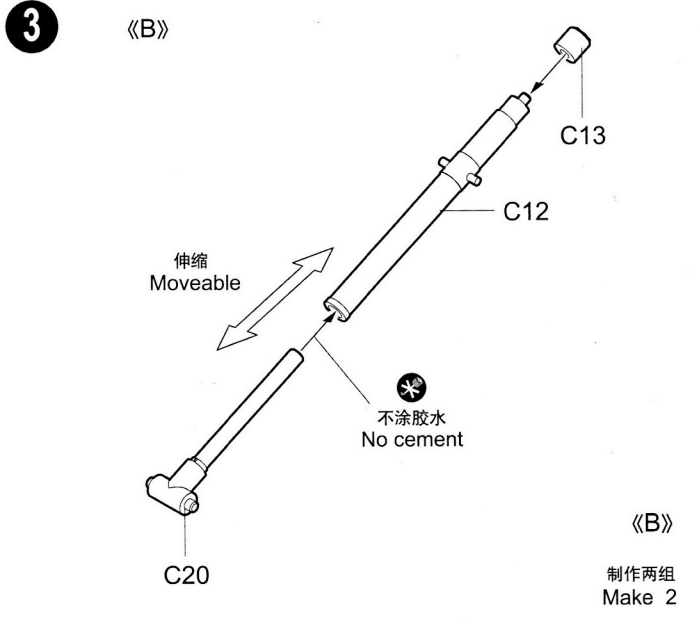
1

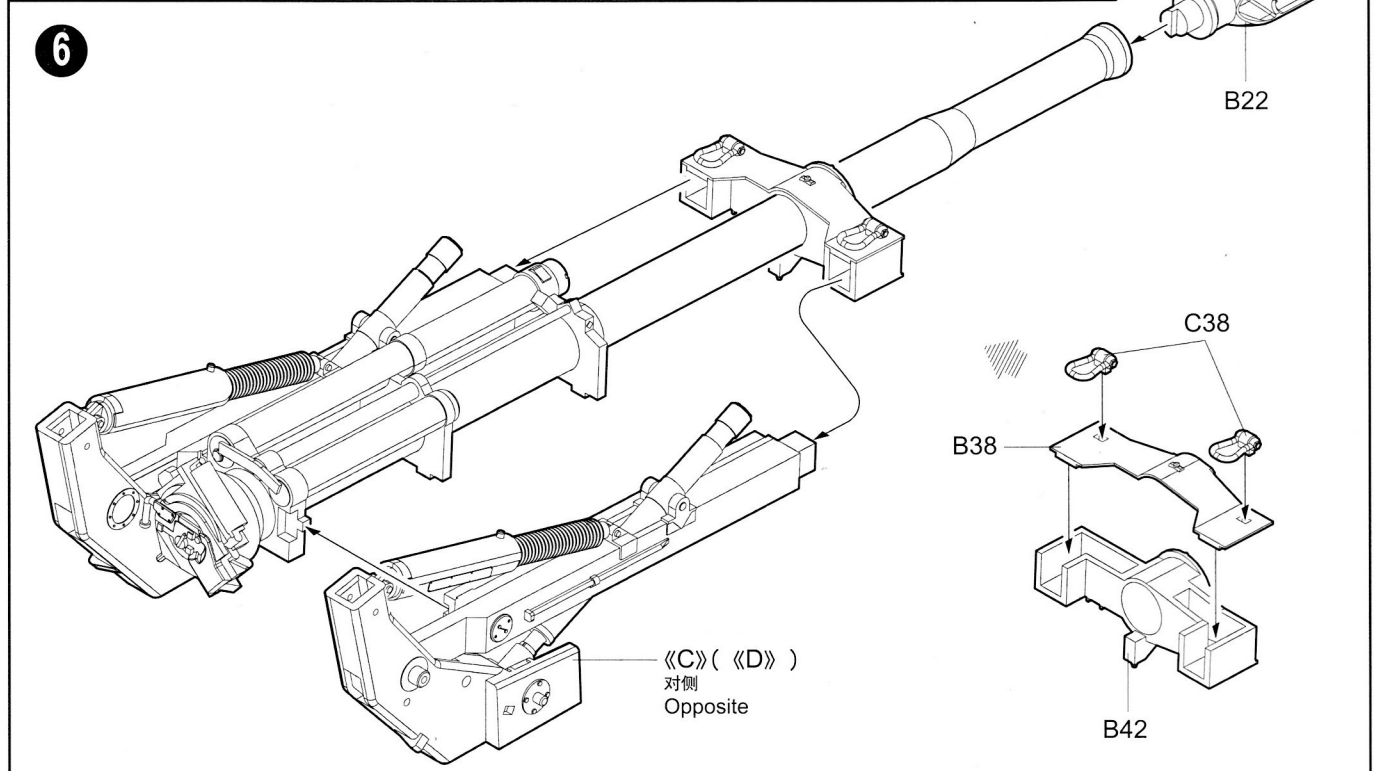
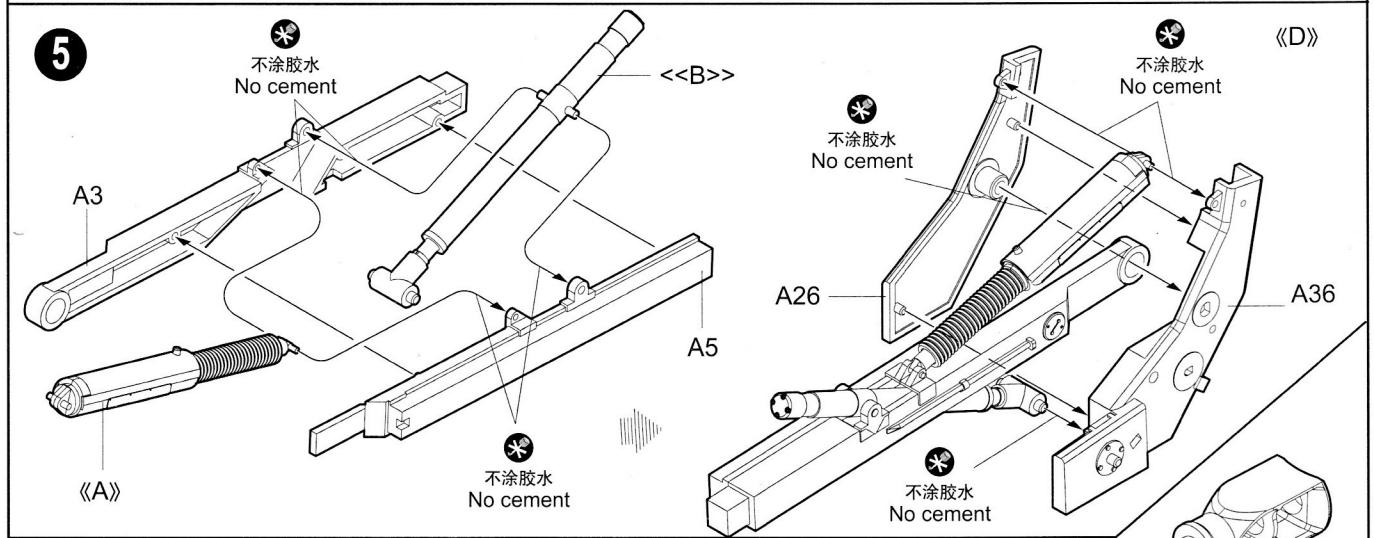
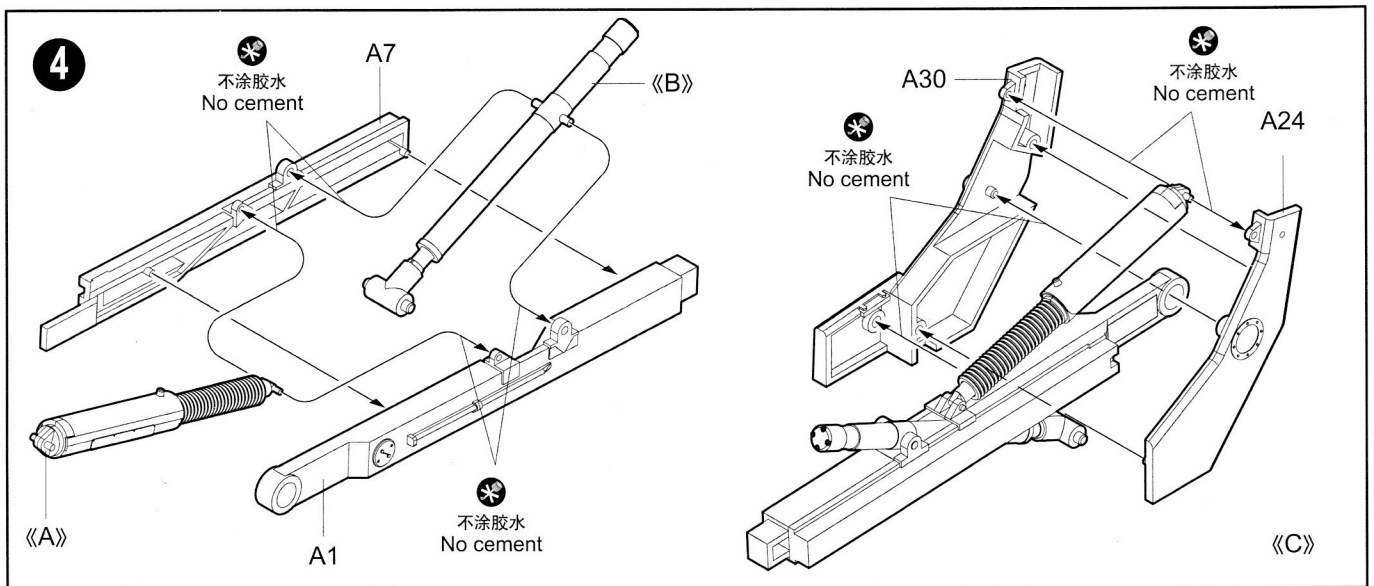


2

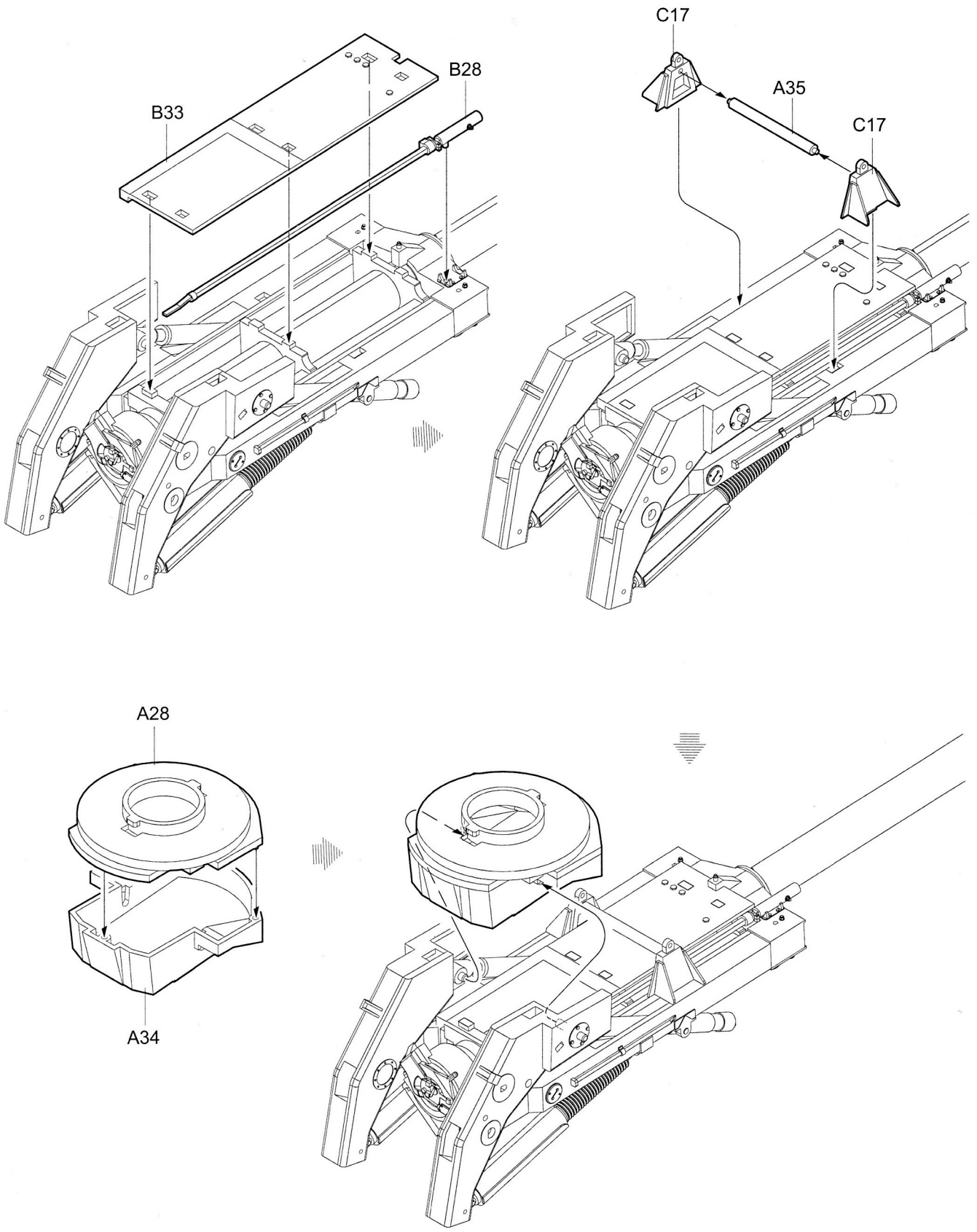


3

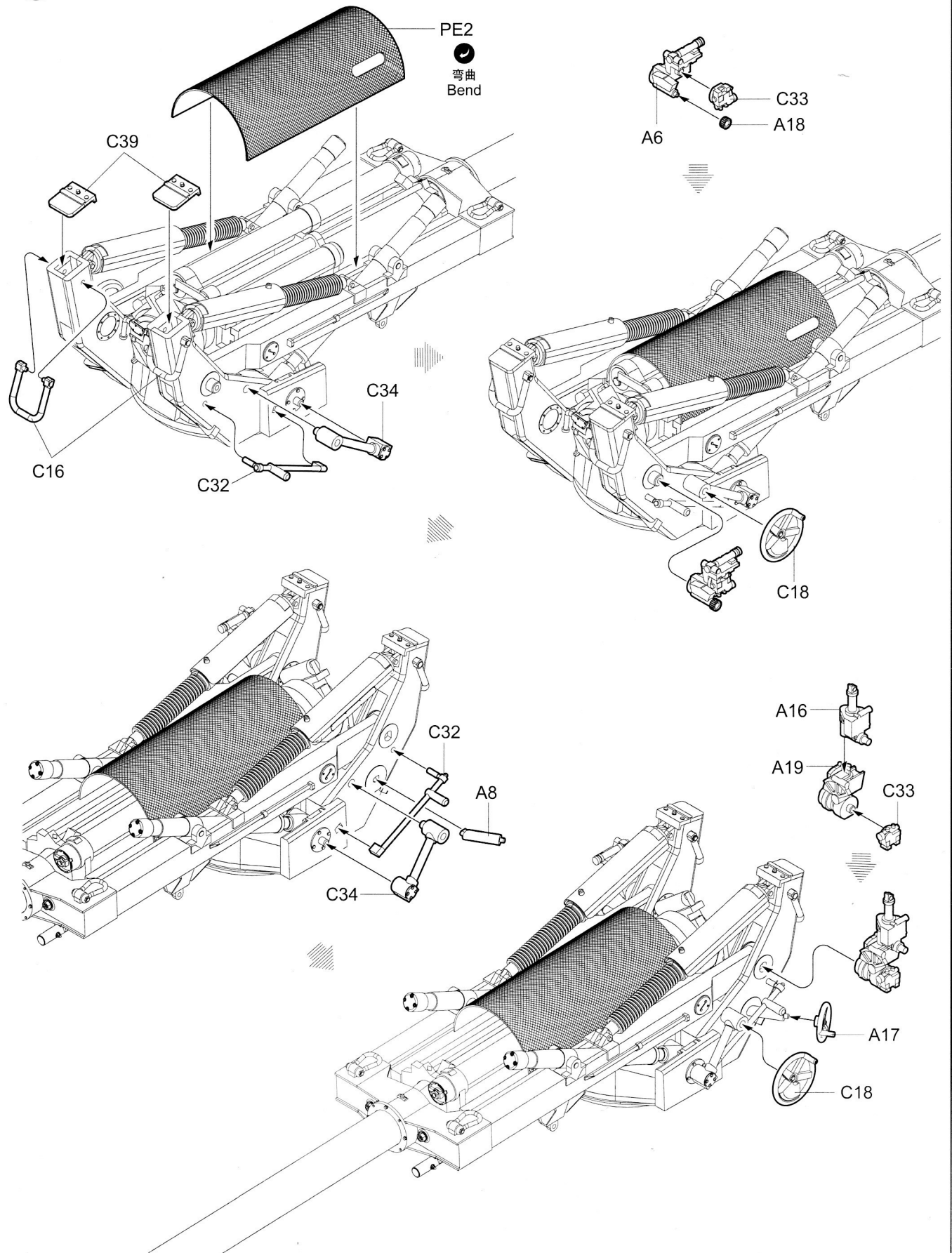




7



8

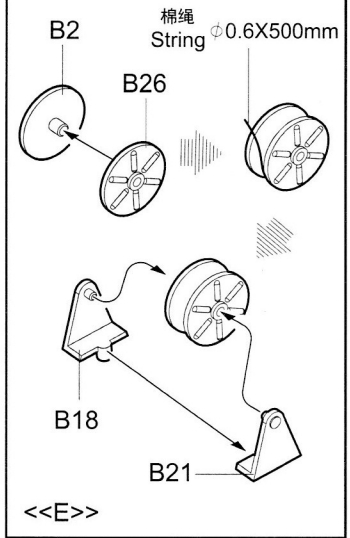


9

①  
钻孔  
Make hole

《L》

《L》



B25

C43

B7

A25

B23

B20

C31

B34

C38

《E》

B45

C15

C36

B20

B40

C6

C7

C8

10

《R》

C15

C36

B31

B24

A27

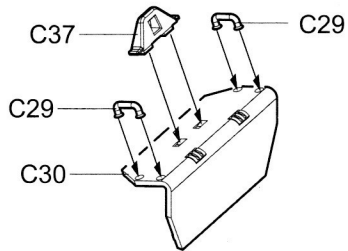
A31

B41

C7

C6

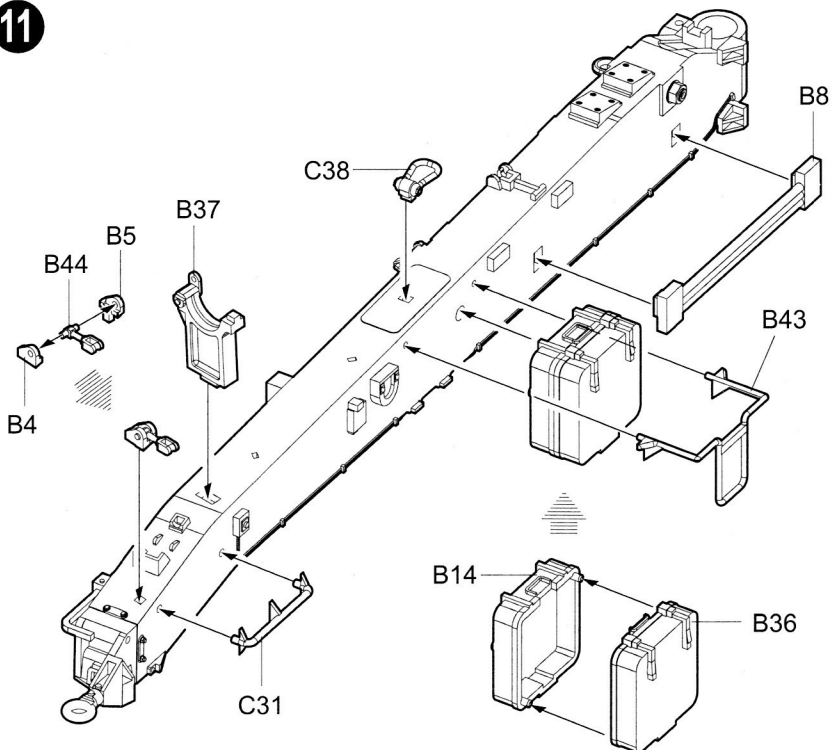
C8



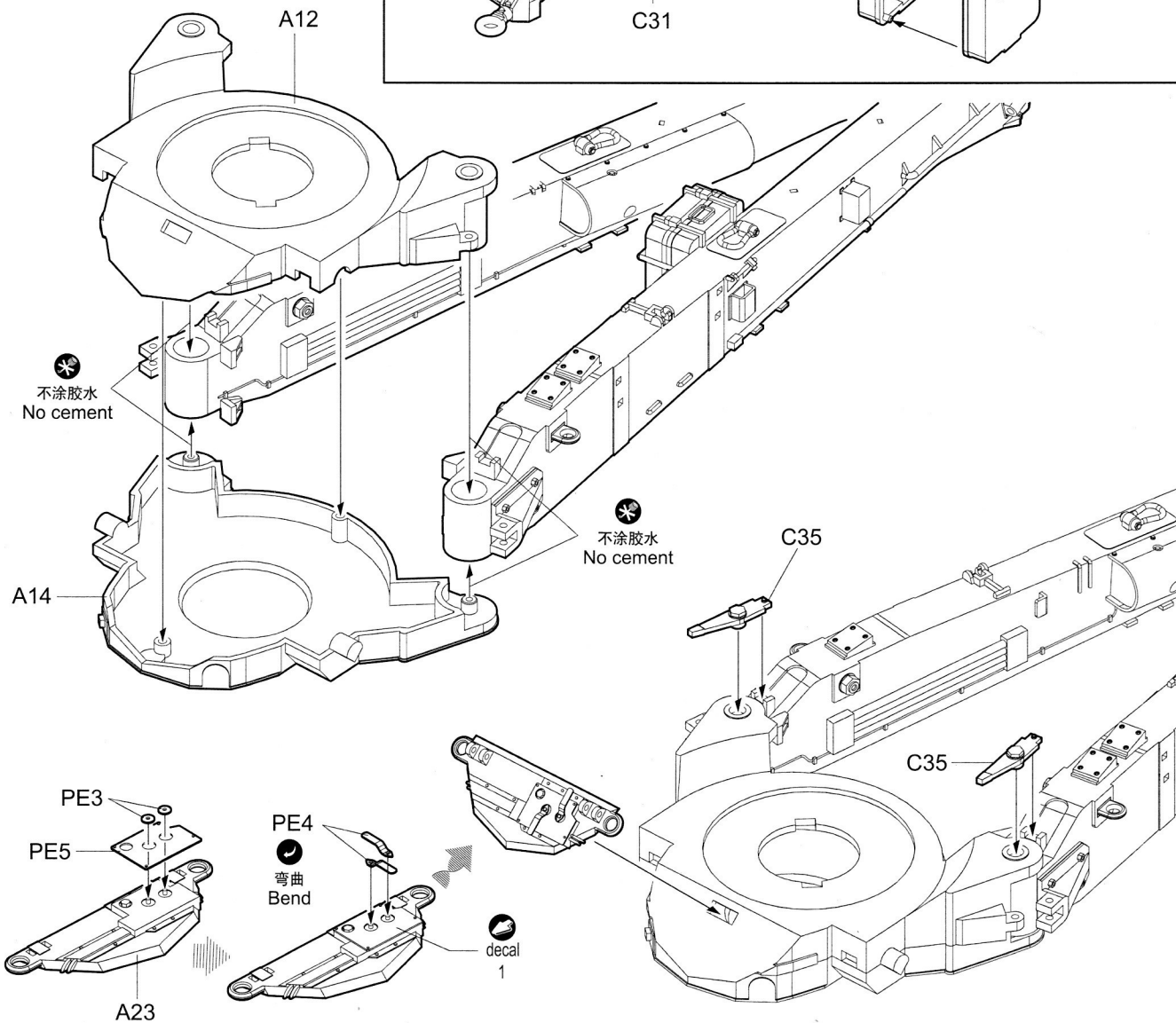
《F》

制作两组  
Make 2

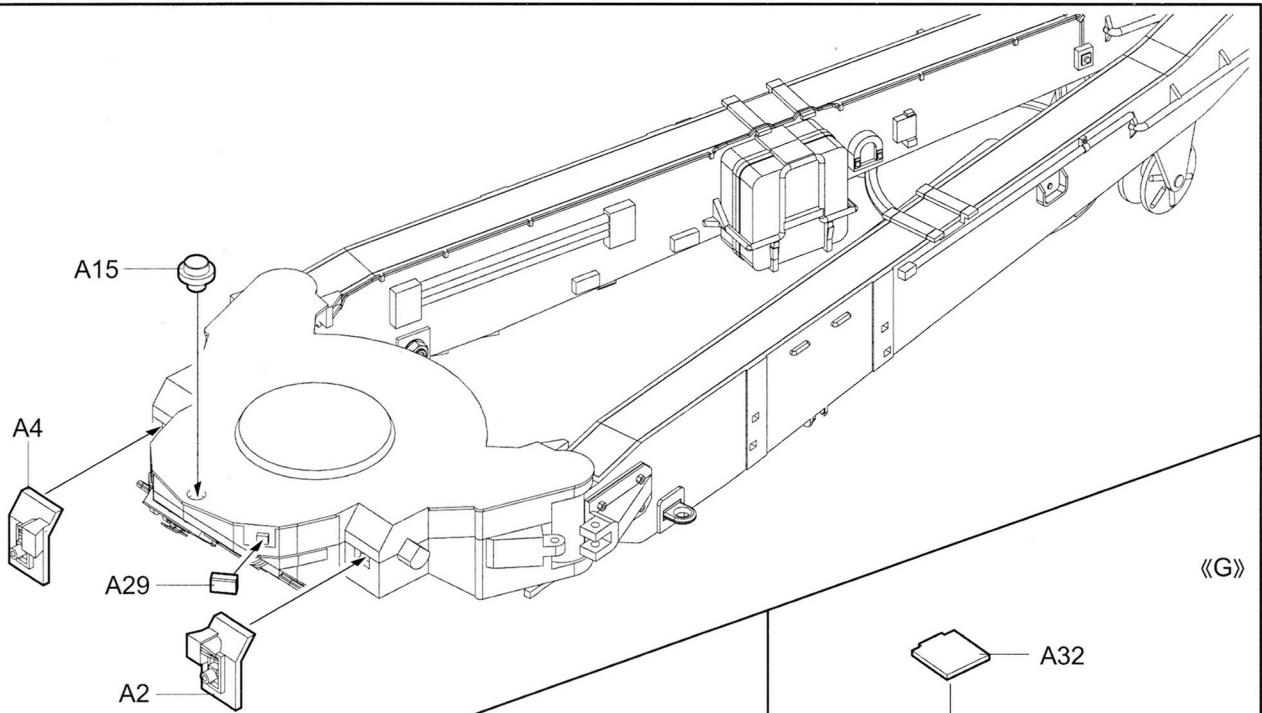
11



12

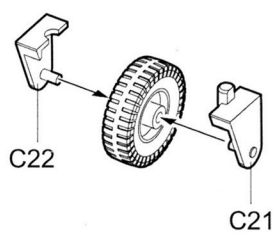
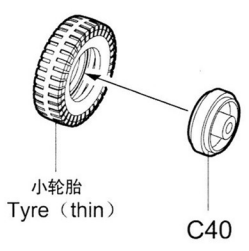


13

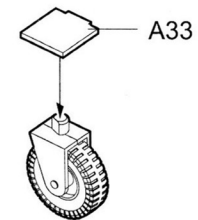
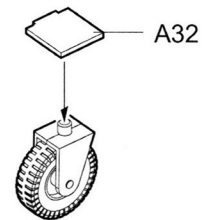


《G》

14

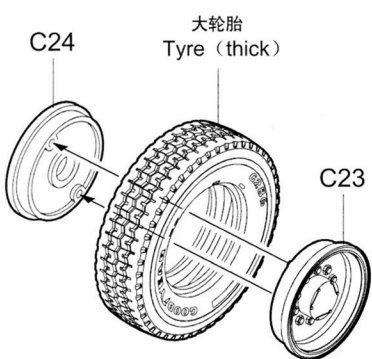


制作两组  
Make 2

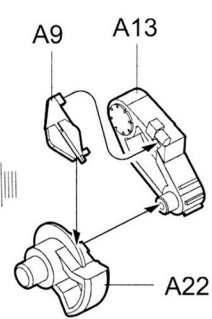
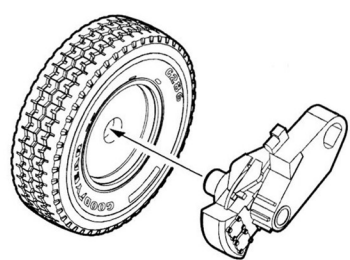


《H》

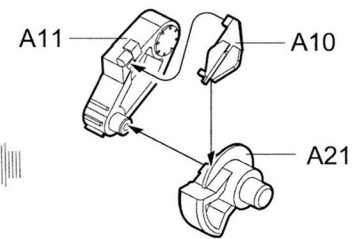
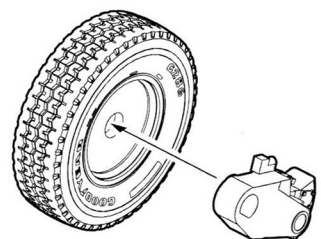
15



制作两组  
Make 2



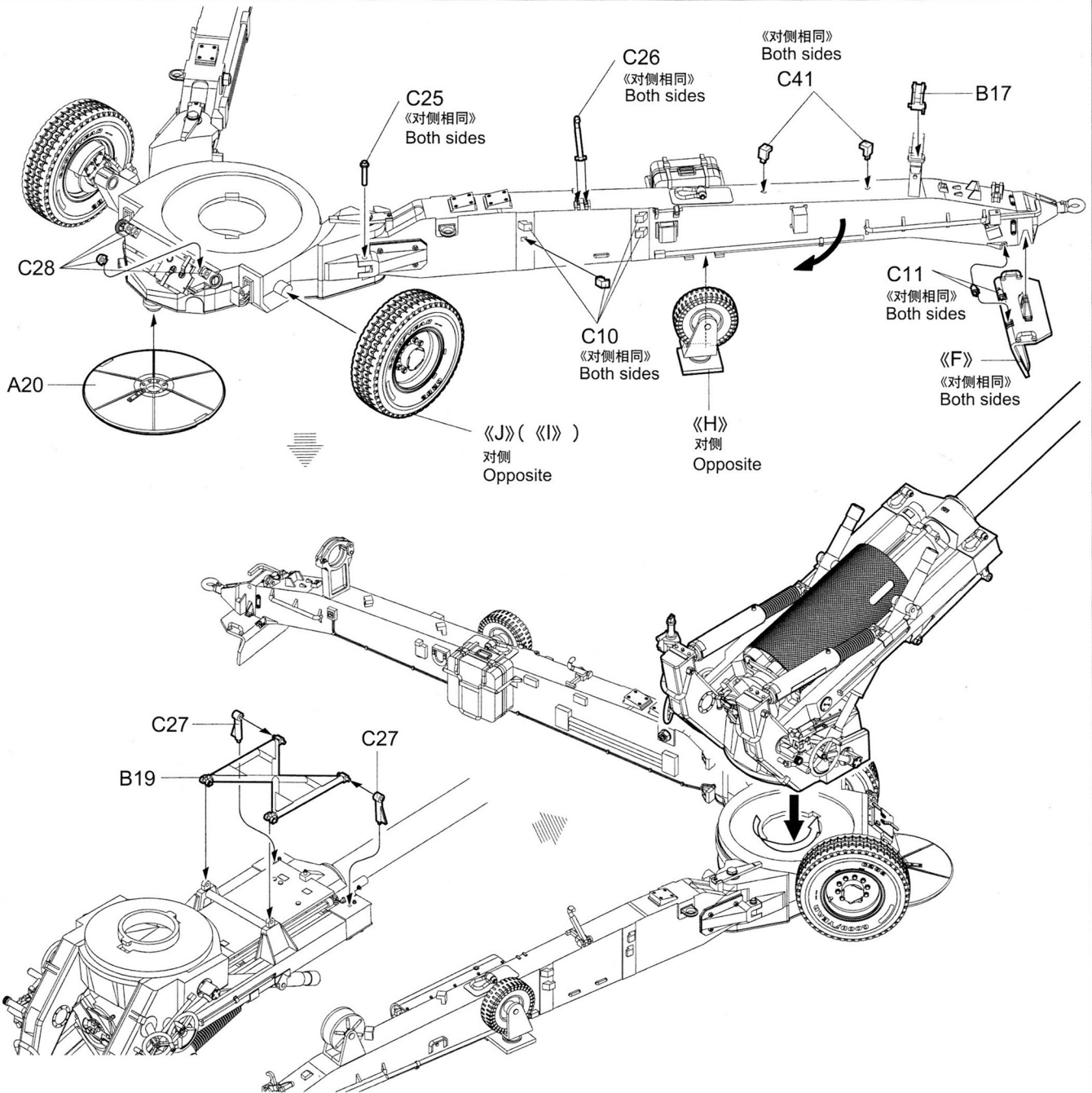
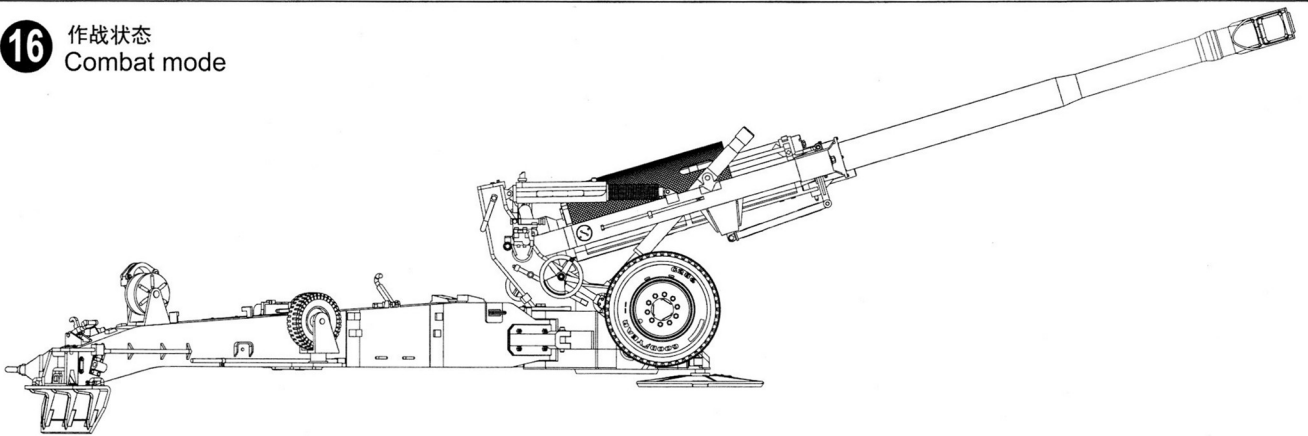
《I》



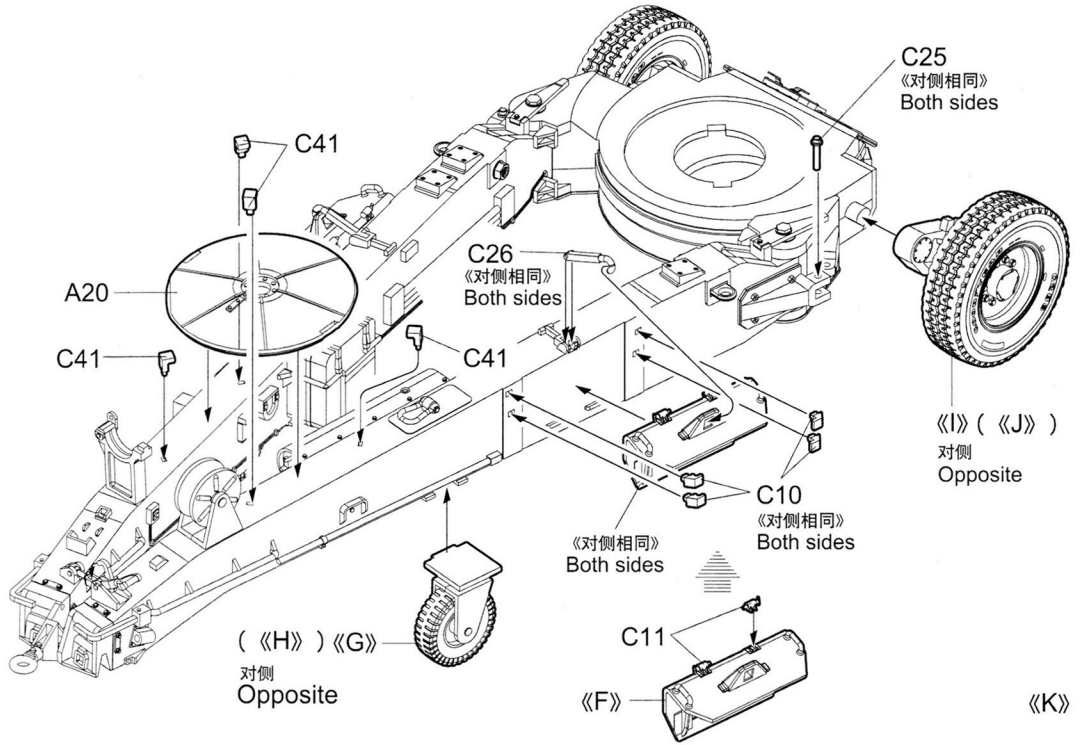
《J》

? 选择 Option 作战状态或行军(升高)状态可以选装。  
 Either combat or travel and lift modes can be selected for assembly.

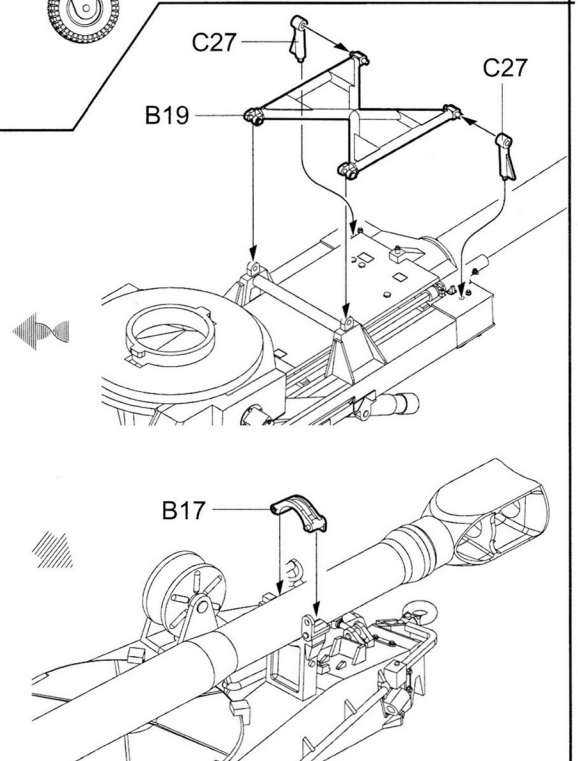
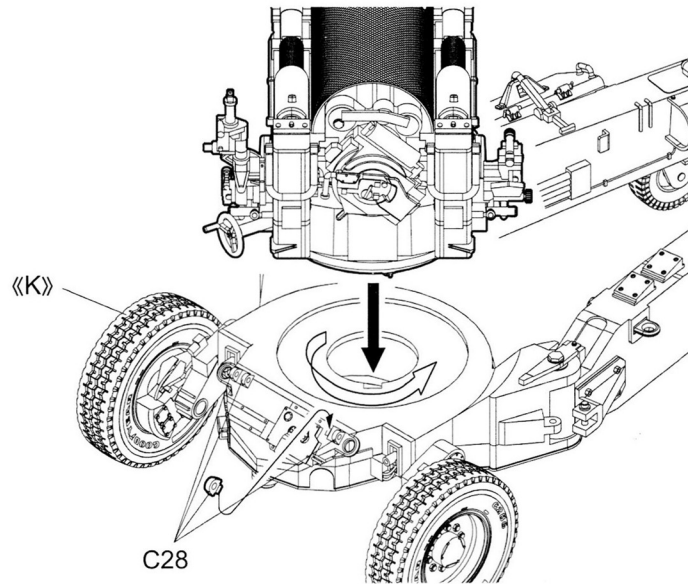
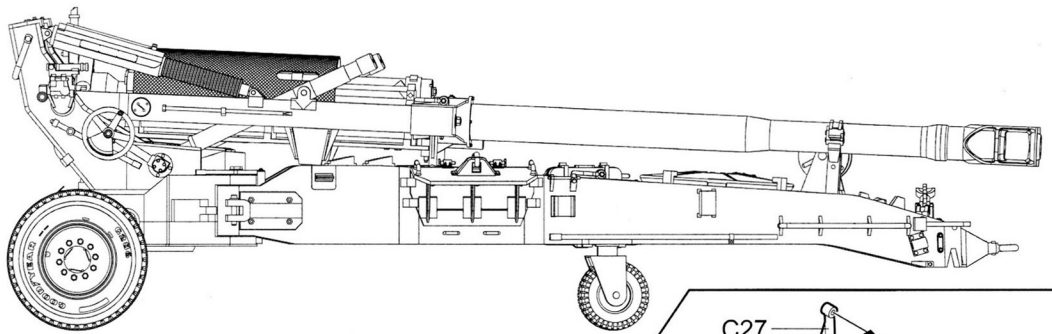
16 作战状态  
 Combat mode



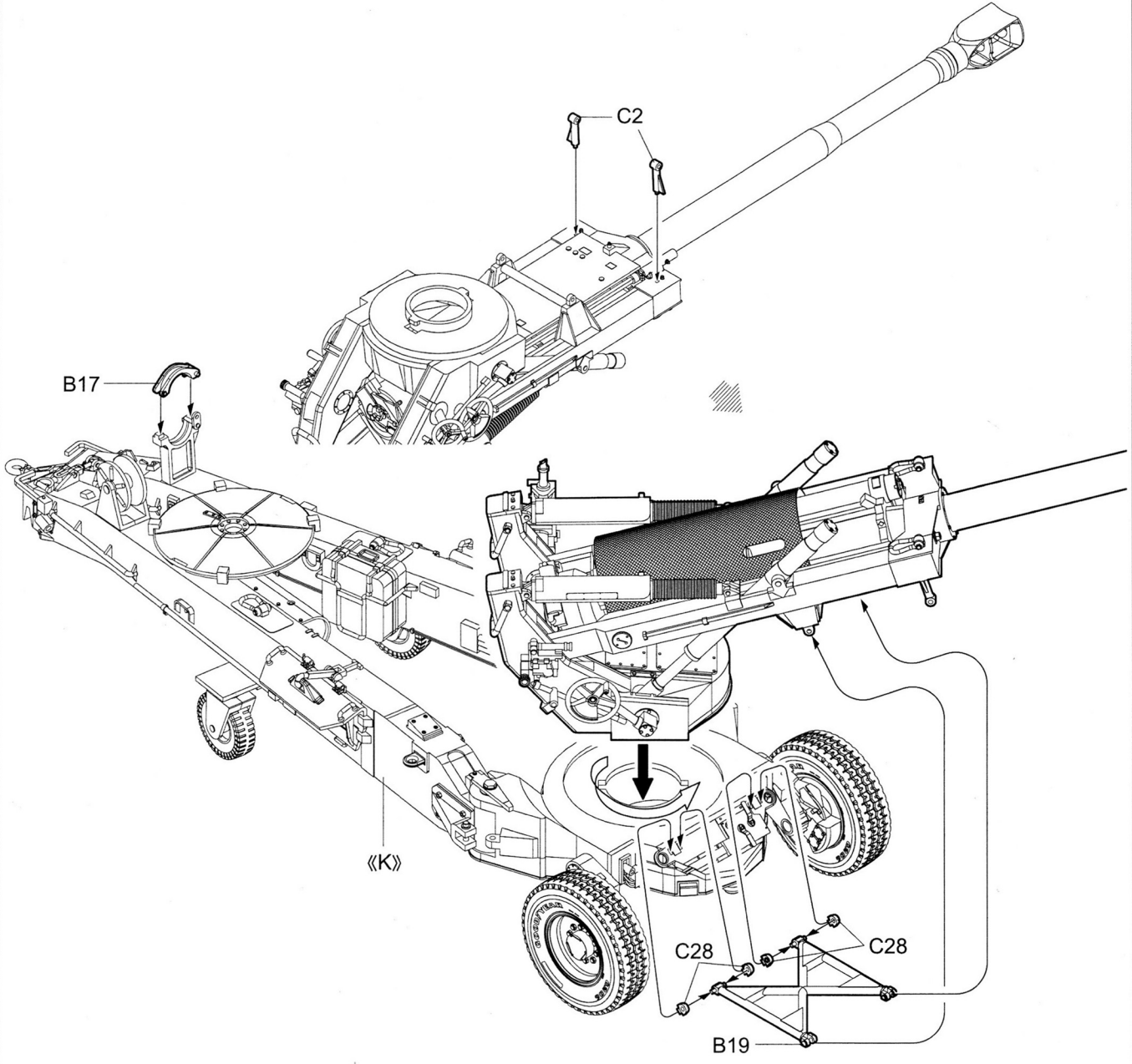
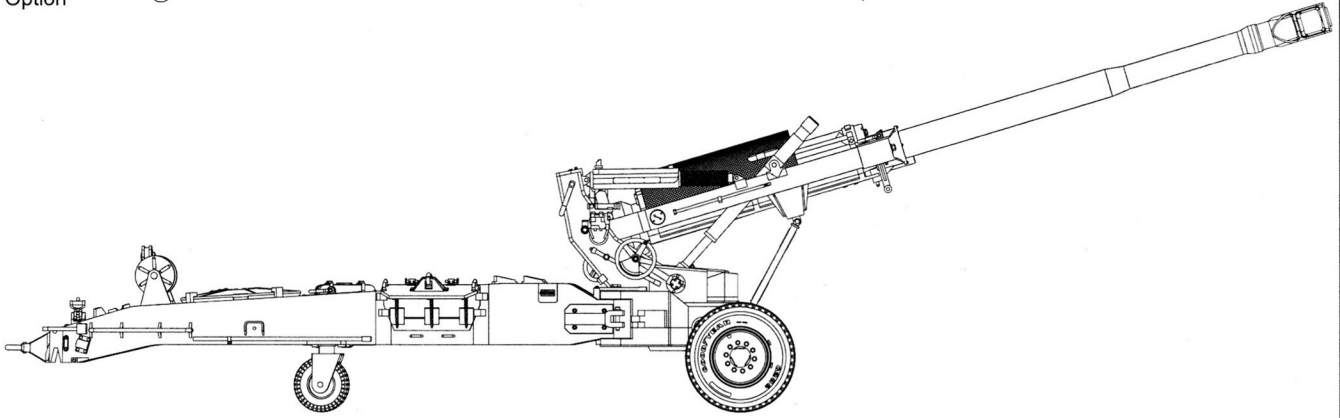
**17** 行军状态  
Travel mode



**?**  
选择 Option      状态 ① mode ①



②  
选择 状态 ②  
Option mode ②

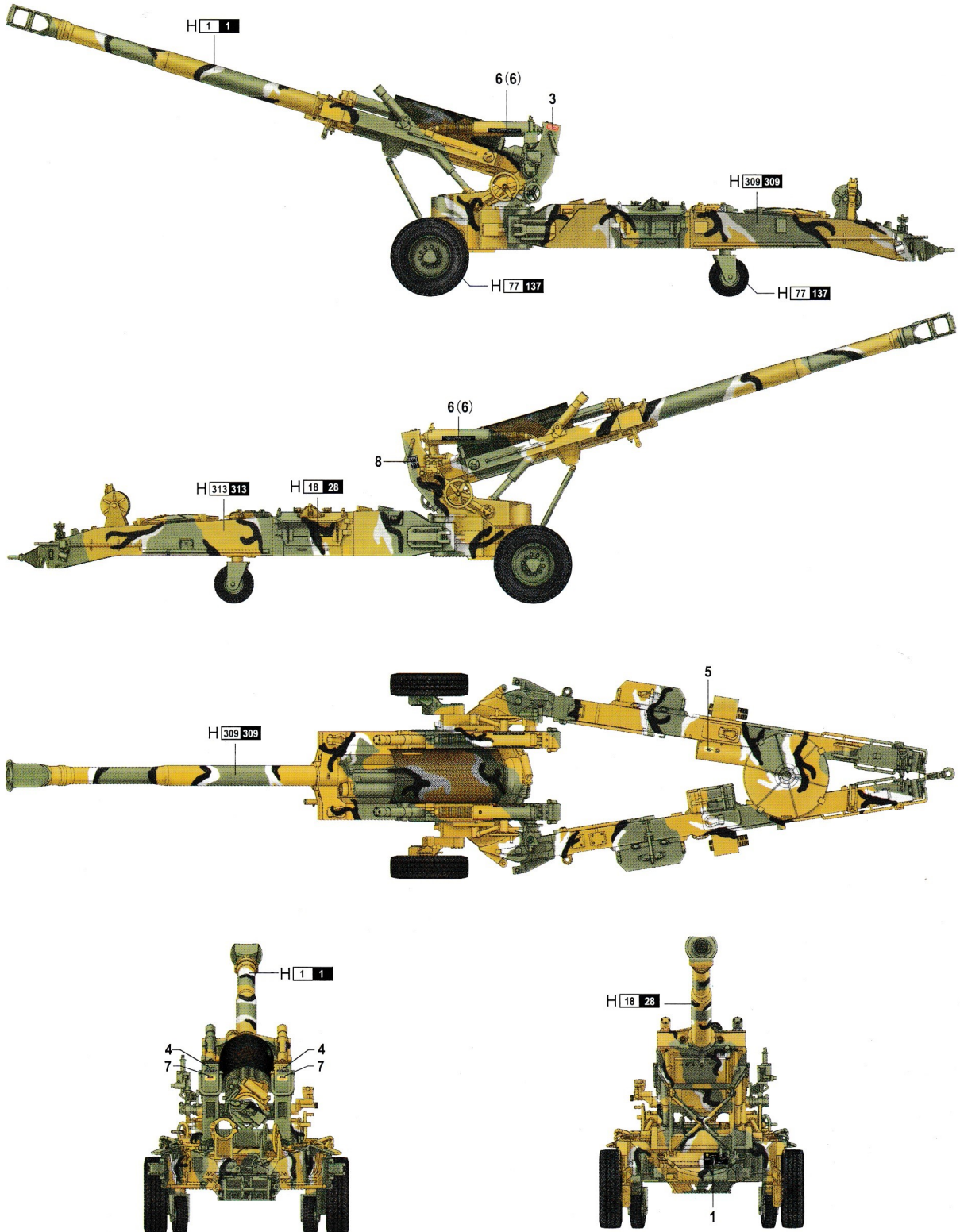


# 涂装同标贴指示 Painting & Marking guide

## PAINT REFERENCE COLOUR

Color	Mr.Hobby	Vallejo	Model Master	Tamiya	Humbrol
Tire Black 胎黑色	H 77 137	—	—	—	—
Forest Green 绿色	H 309 309	893	1710	XF58	116
Steel/metal black 灰黑色	H 18 28	864	1402	—	—
Yellow 黄色	H 313 313	819	1706	—	121
White 白色	H 1 1	842	1745	X2	22

**B**



涂装同标贴指示  
Painting & Marking guide

PAINT REFERENCE COLOUR

Color	Mr.Hobby	Vallejo	Model Master	Tamiya	Humbrol
Tire Black 胎黑色	H 77 137	-	-	-	-
Light Green 绿色	H 303 303	-	1713	XF20	117

A

