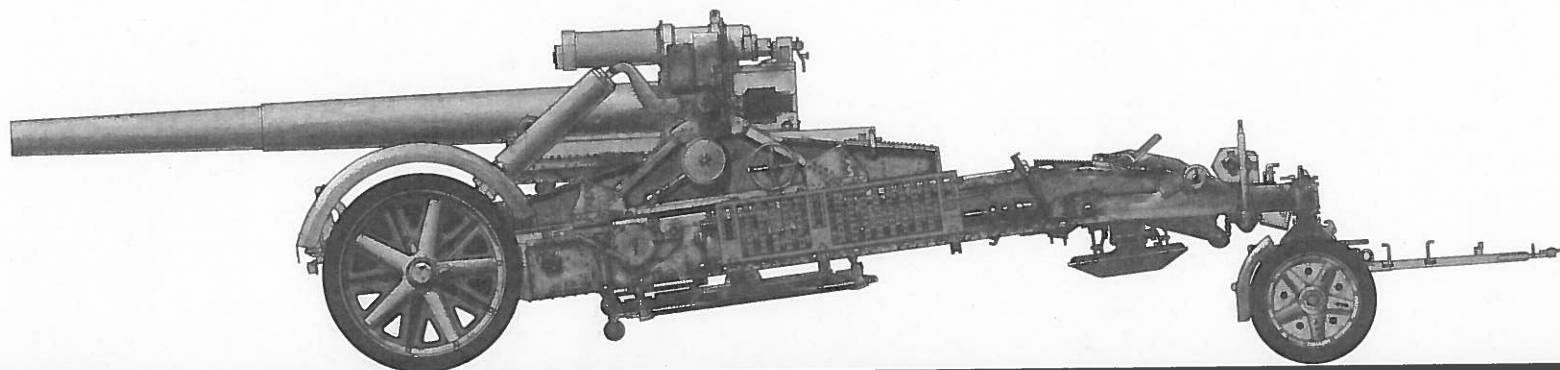


1/35
SCALE

ITEM NO.:02314



German 21cm Mörser 18

德国21cm Mrs18型重型火炮

READ BEFORE ASSEMBLY:

- Study and understand these instructions thoroughly before beginning assembly
- When needed, remove photo-etch parts carefully using a modeling knife or photo etch sprue cutter, being careful not to damage or lose small parts.
- Take extra care in handling photo etch parts in order to avoid injury
- Apply instant cement sparingly to photo etch parts where instructed

- Tools recommended(not included in kit):Plastic and instant cements,sprue cutters,long nose pliers,modeling knife, small files, tweezers, pin vise & scissors. Soft cloth and sandpaper will also assist in construction
- Glue and paint are not included in the kit. Use plastic cement and hobby paints only. Color guide for purchasing paint is included in the kit.

装配之前仔细阅读

- 小心用模型锉刀锉平所有零件表面的注射浇口。
- 小心用刀片切下蚀刻片零件，不要遗失小零件。
- 用强力快干胶水粘合蚀刻片零件和金属轴。过量快干胶水使用可能导致可动零件会粘住，小心涂胶。
- 取蚀刻片时应特别注意安全，防止利边划伤手指。
- 某些零件表面需贴水贴纸，请选择在装配的同时进行。
- 推荐模型工具(自备)：胶水，水口剪刀，长咀钳，刀片，锉刀，镊子，钳，钻，剪刀，瞬间快干胶。
- 软布同砂纸同时也应该是必备工具。
- 请使用塑料胶水和油漆，模型内不含。

水贴纸的使用:

1. 从水贴纸上剪下印花;
2. 将印花放入温水中浸10秒，然后放在干净布上。
3. 拿着印花纸板将印花移到模型上;
4. 手指蘸水将印花移到适当的位置;
5. 用软布轻压印花直至水干，汽泡消失。

DECAL APPLICATION:

1. Cut decals from sheet as needed
2. Dip the decal in warm water for about 10 seconds and then place on soft clean cloth.
3. Hold the decal backing sheet edge and gently slide the decal onto the model in its proper position.

4. While still wet, decal can be adjusted for better fit on model by dampening it gently with your finger.
5. When placed in the proper position, gently press decal down with a soft cloth until excess water and air bubbles are gone.
6. Allow decal to dry completely before handling model



cyanoacrylate glue
使用强力胶



weight
配重



make hole
钻孔



cut / remove
切除



option
选择



no cement
不涂胶水



decal
贴纸



bend
弯曲

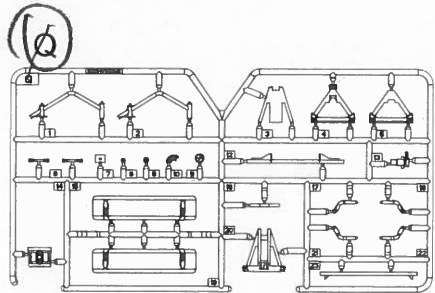
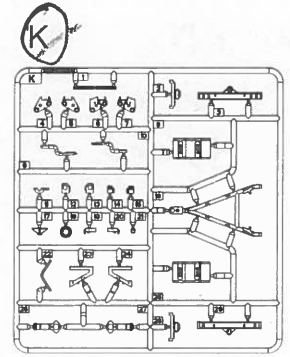
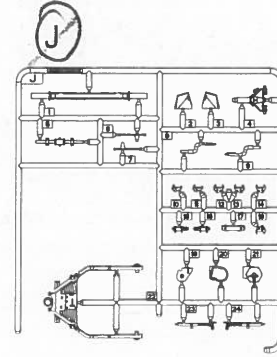
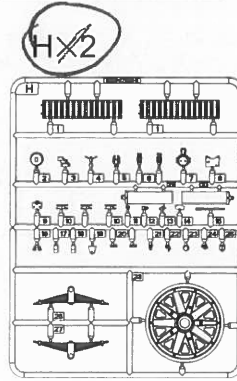
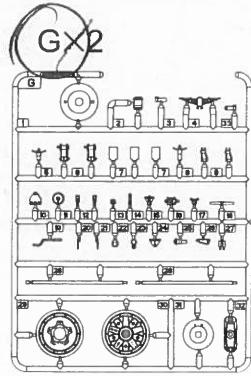
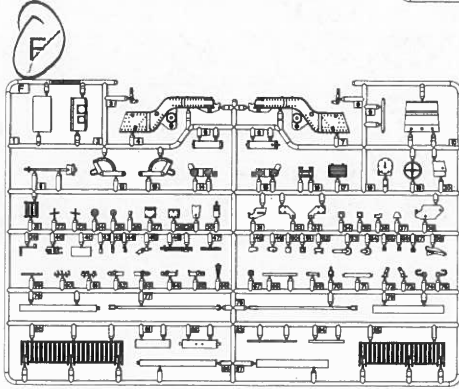
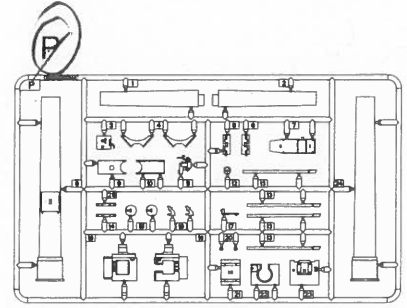
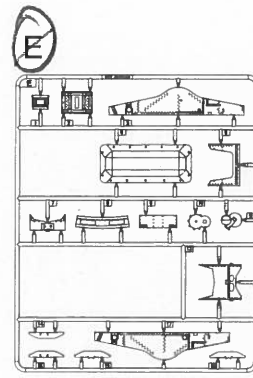
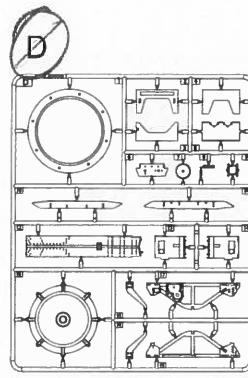
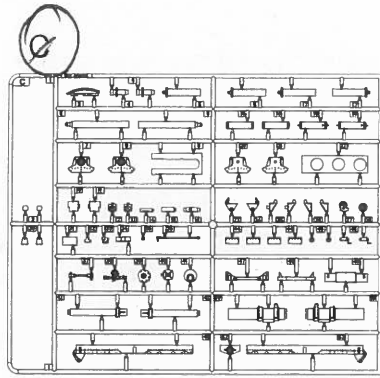
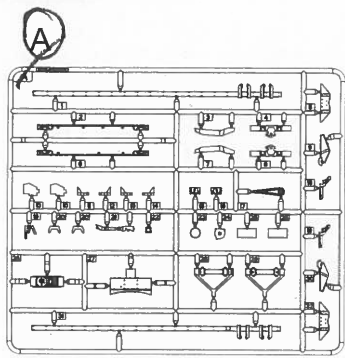


file / sand
锉平

02314

1

部品图 Part



《大轮胎》×2
Big tyre



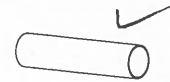
《小轮胎》×2
Small tyre



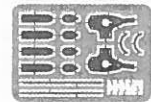
《弹簧》×2
Spring



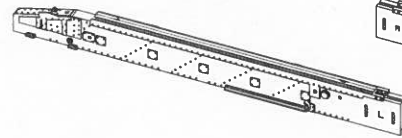
《铜管》×2
Copper tube



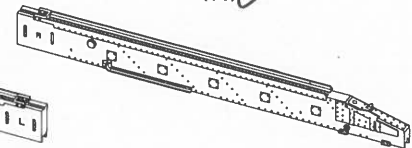
《蚀刻片》
Photo Etched



《左炮架》
(L) ✓



《右炮架》
(R) ✓



不用部件: C2、C5、C17、C6、C10、C11、C18、C19、C42、C44、C48、D4、D5、D6、D9、E1、E9。
Unused parts:

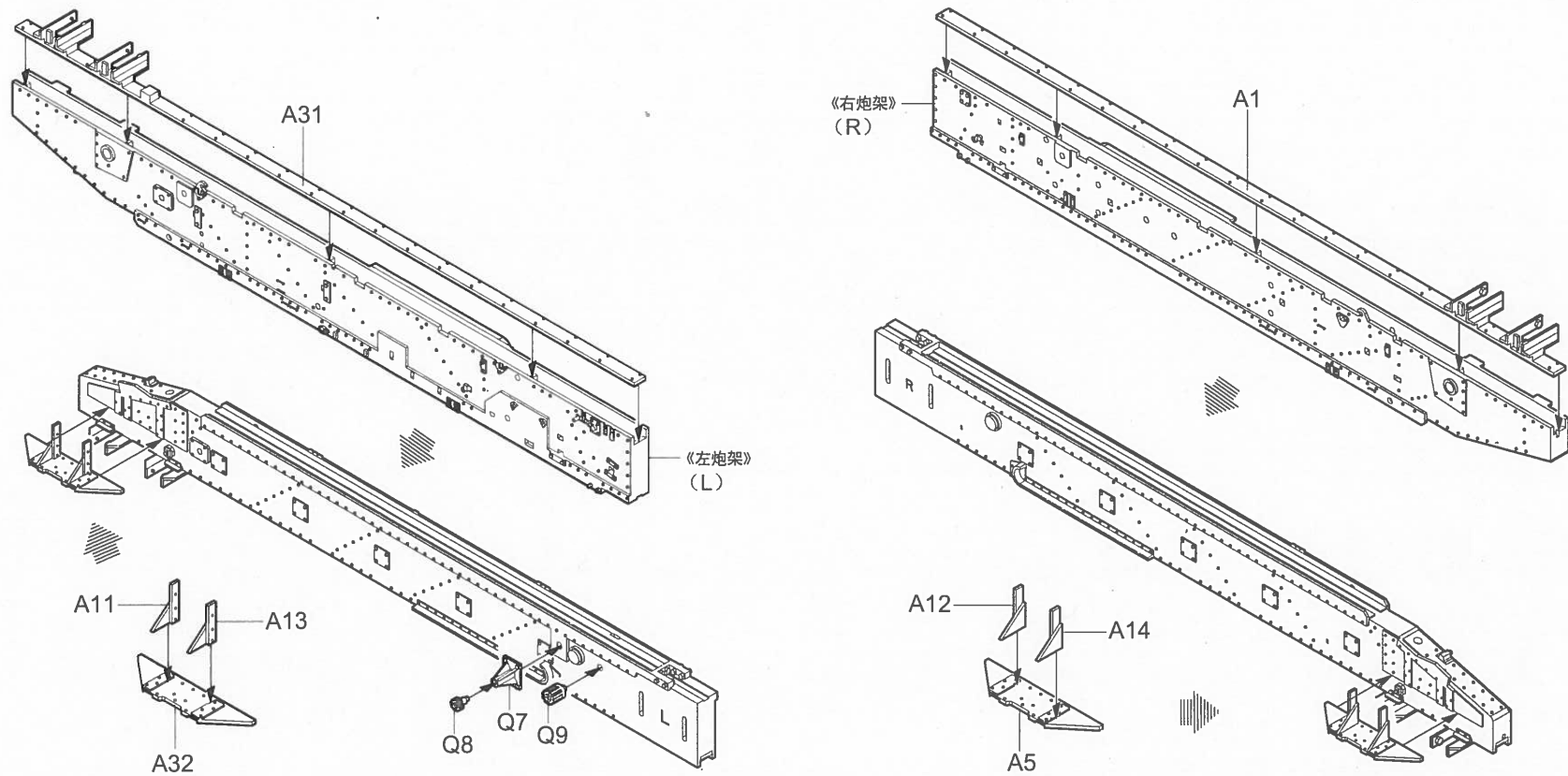
02314

2

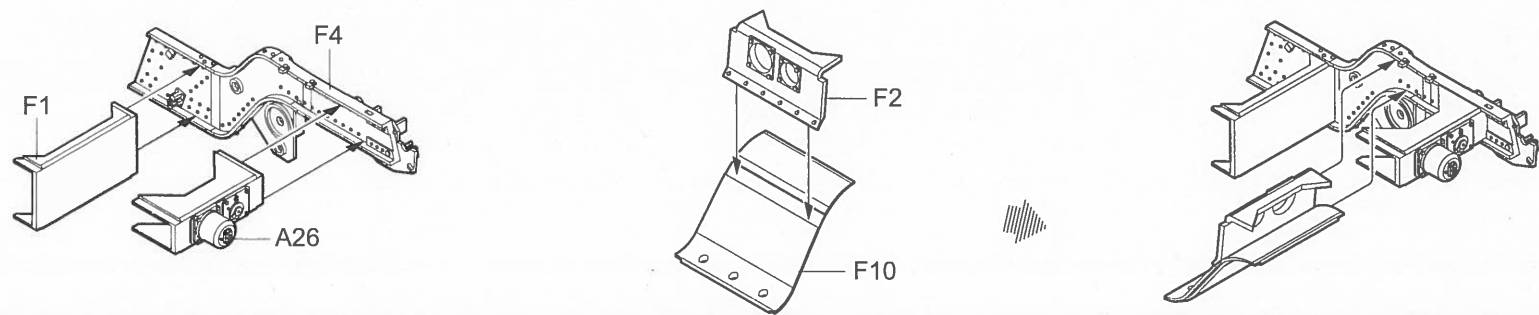
24

02314

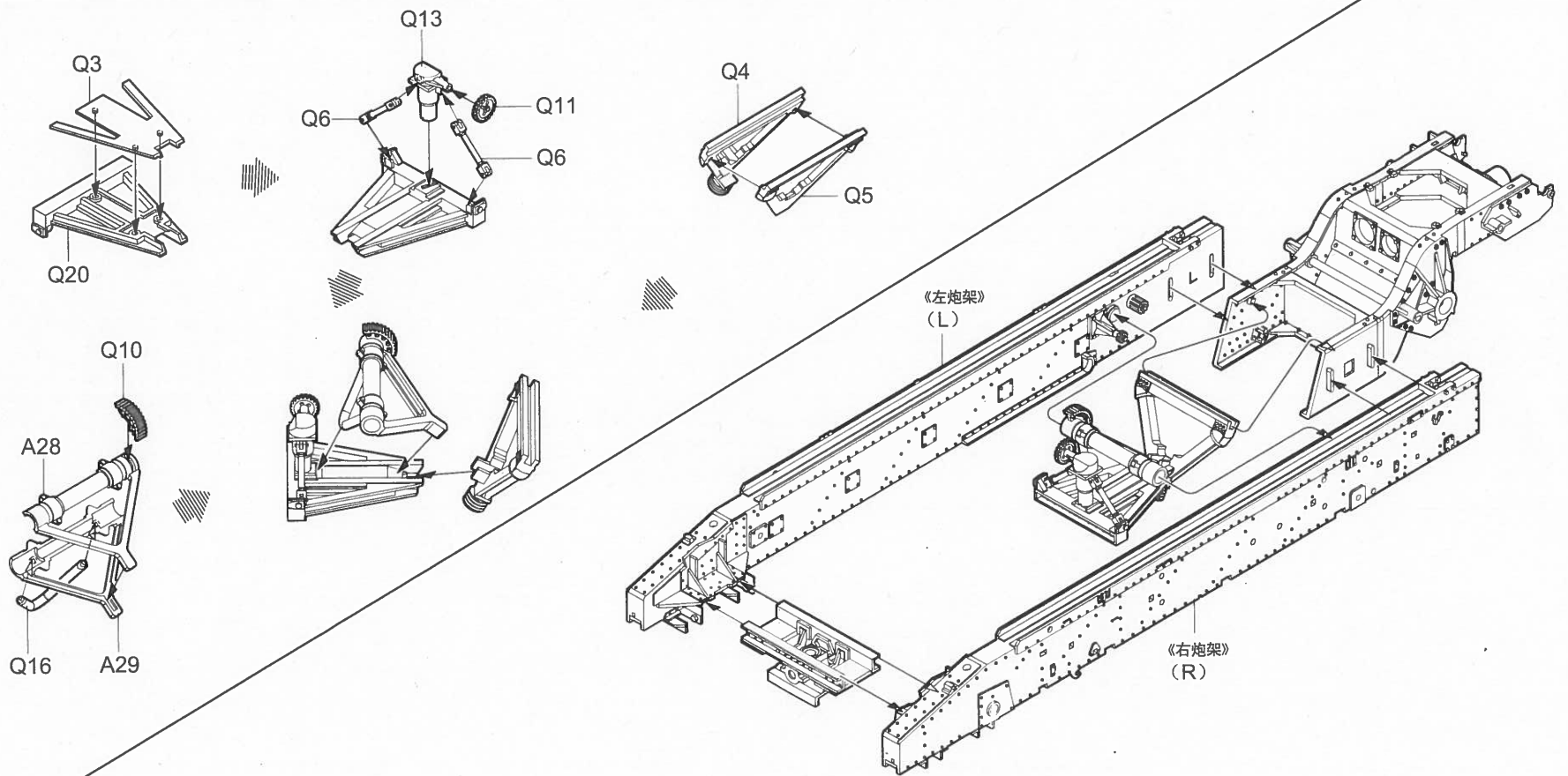
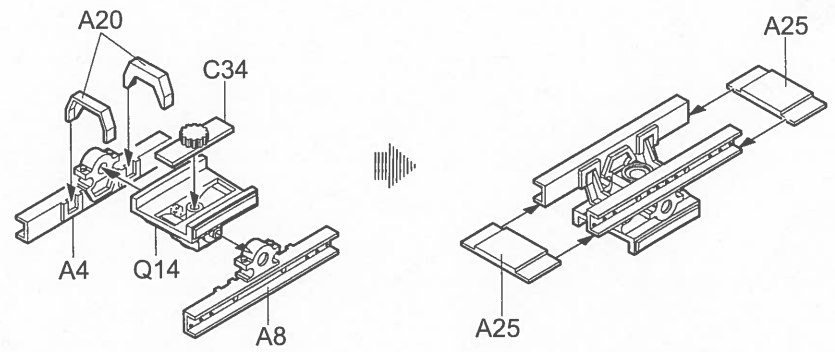
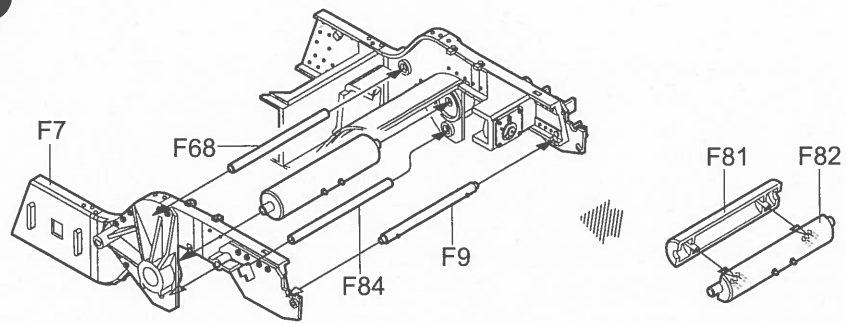
1



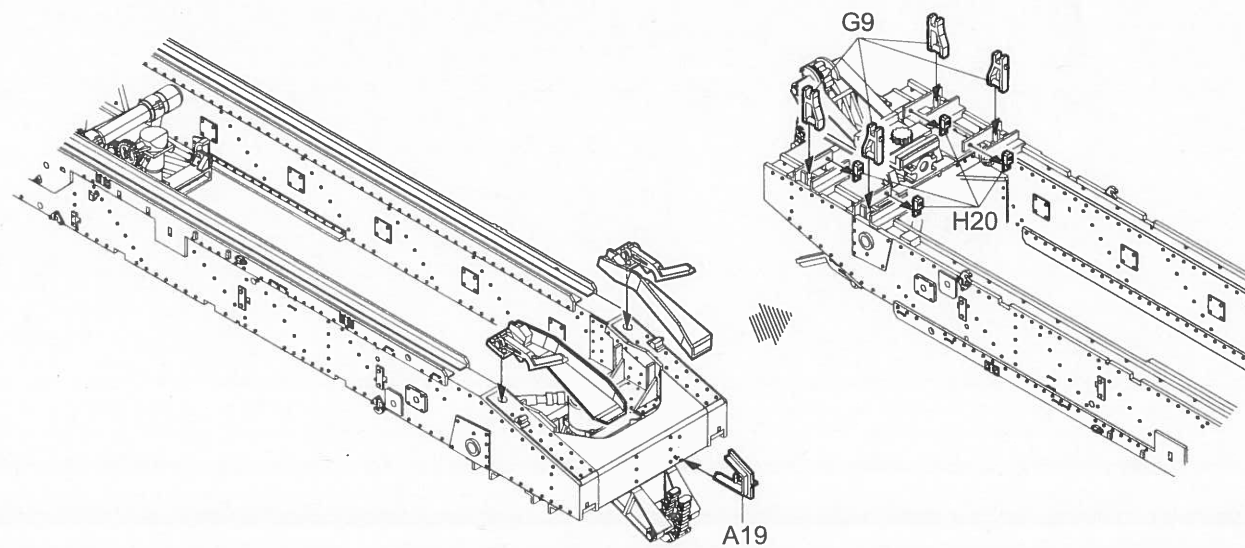
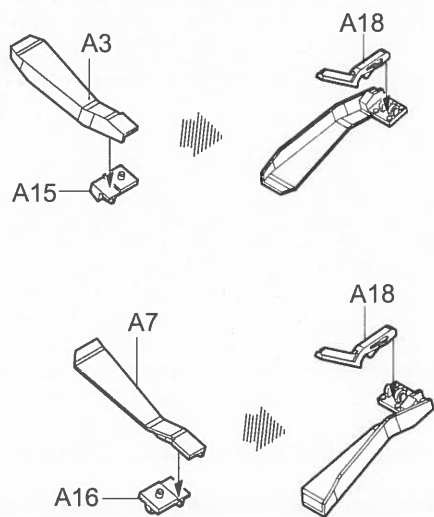
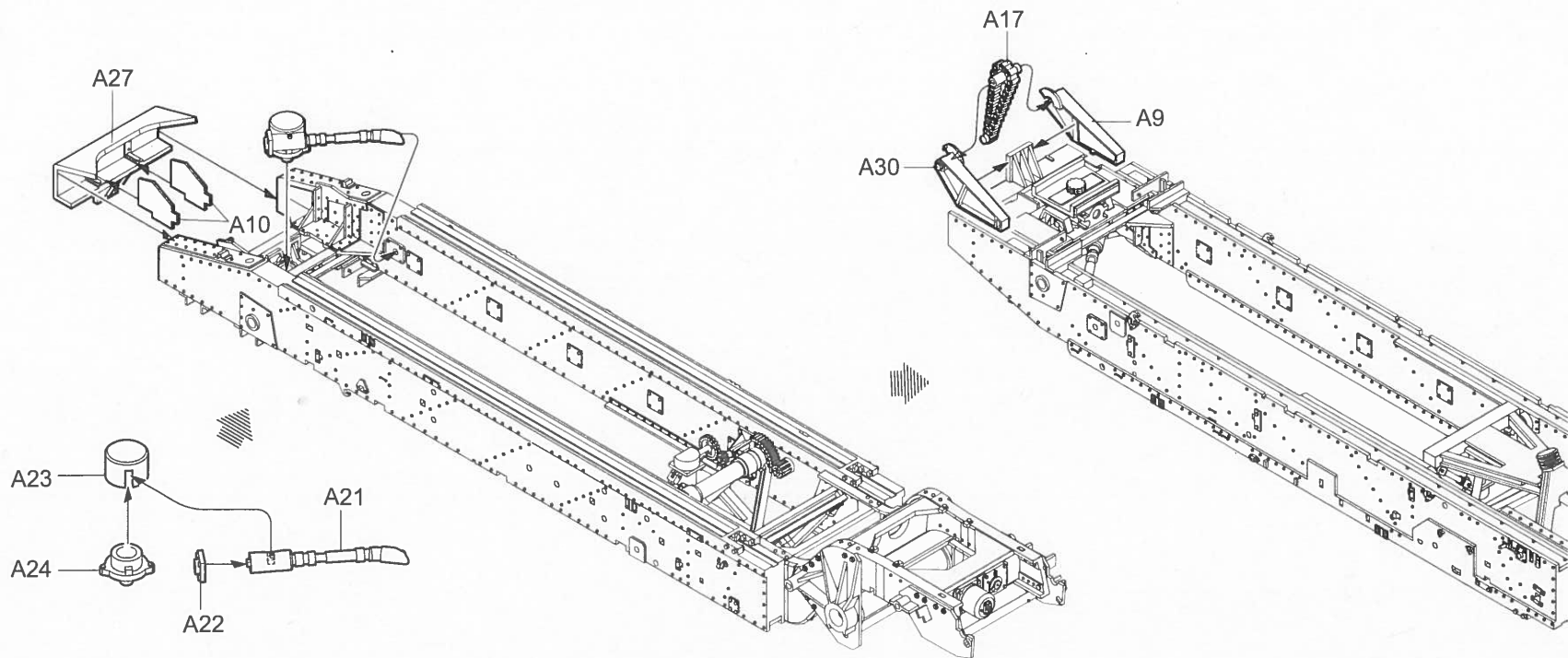
2

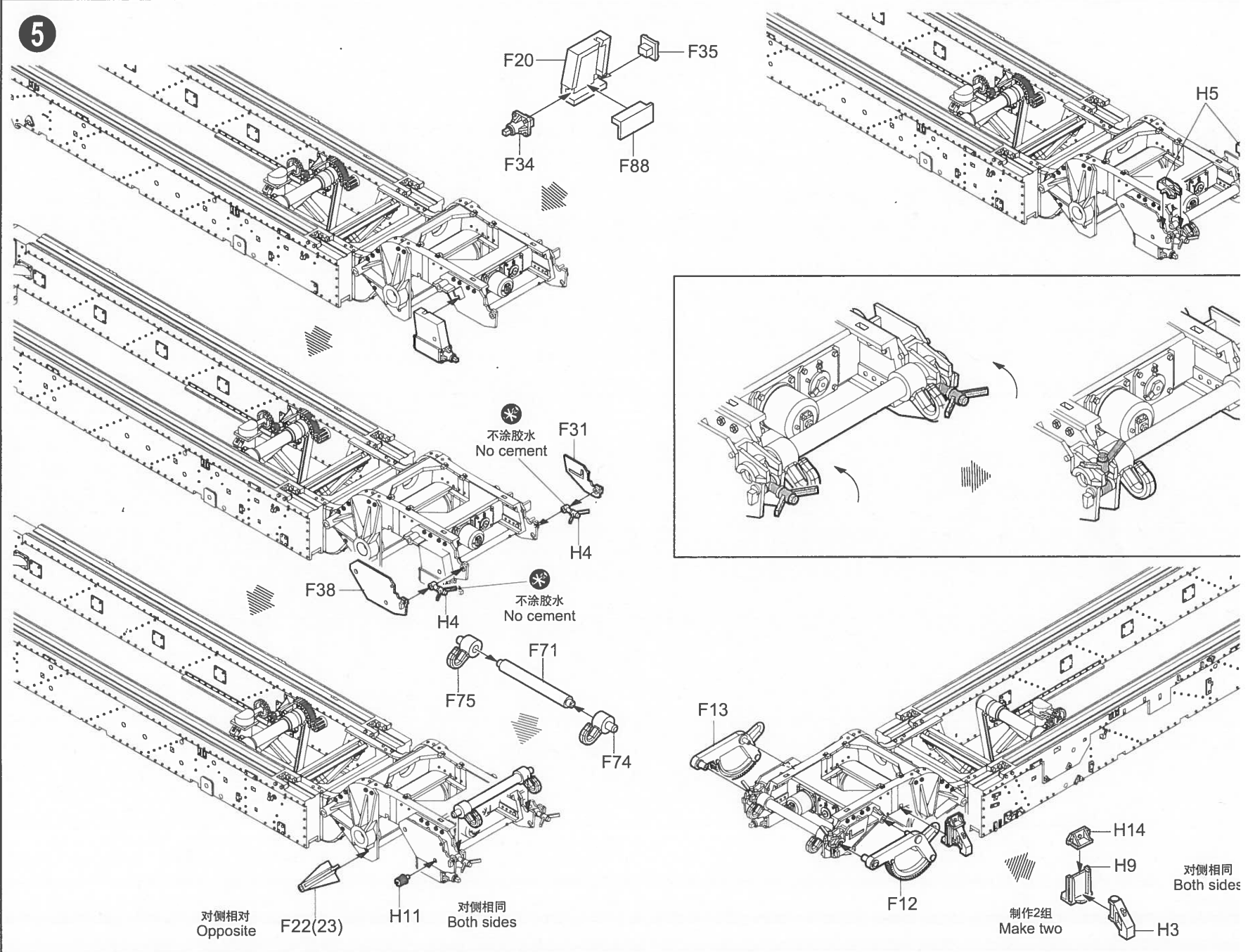


3

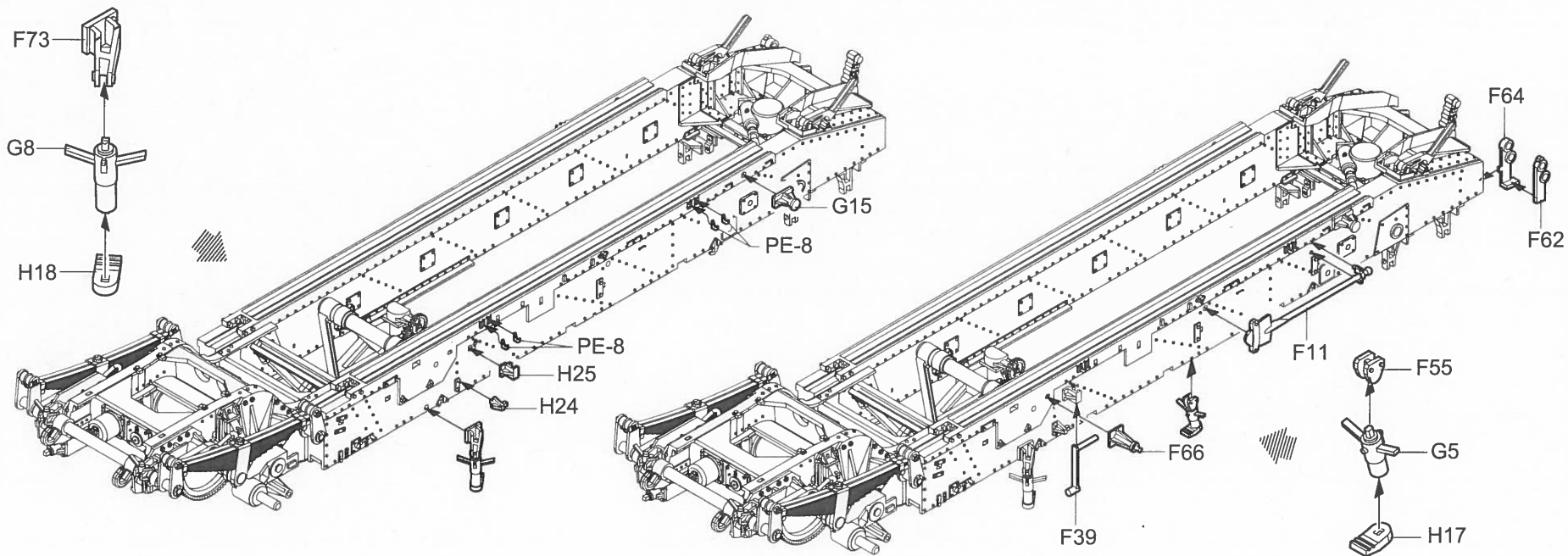
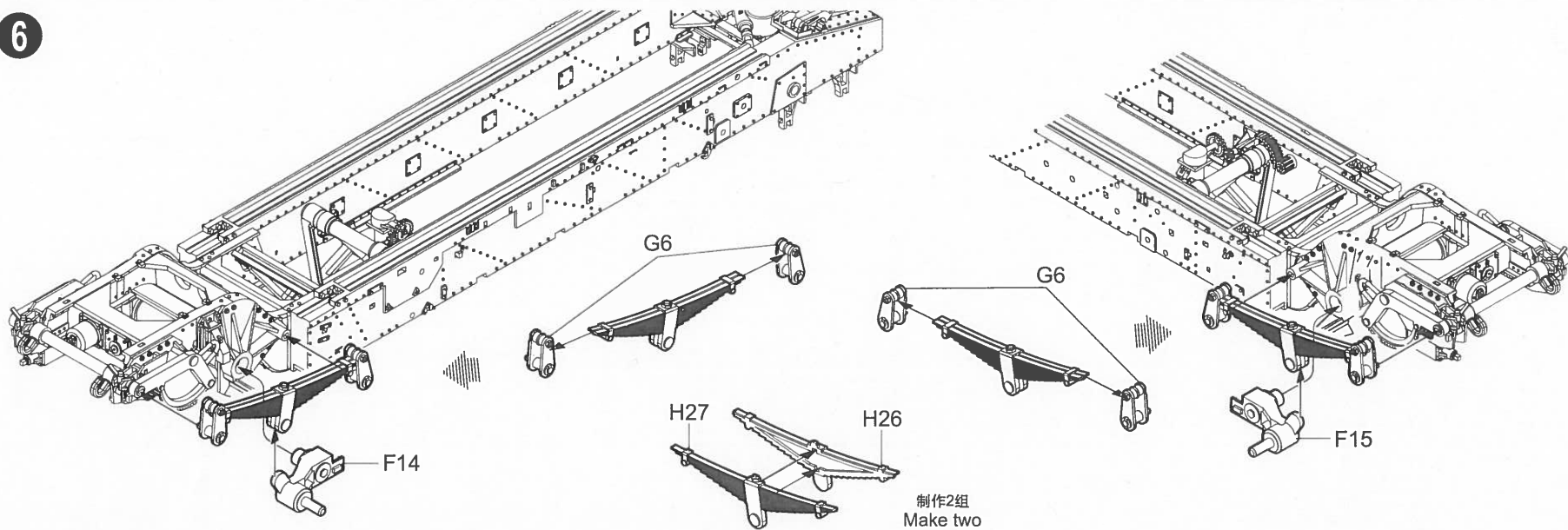


4





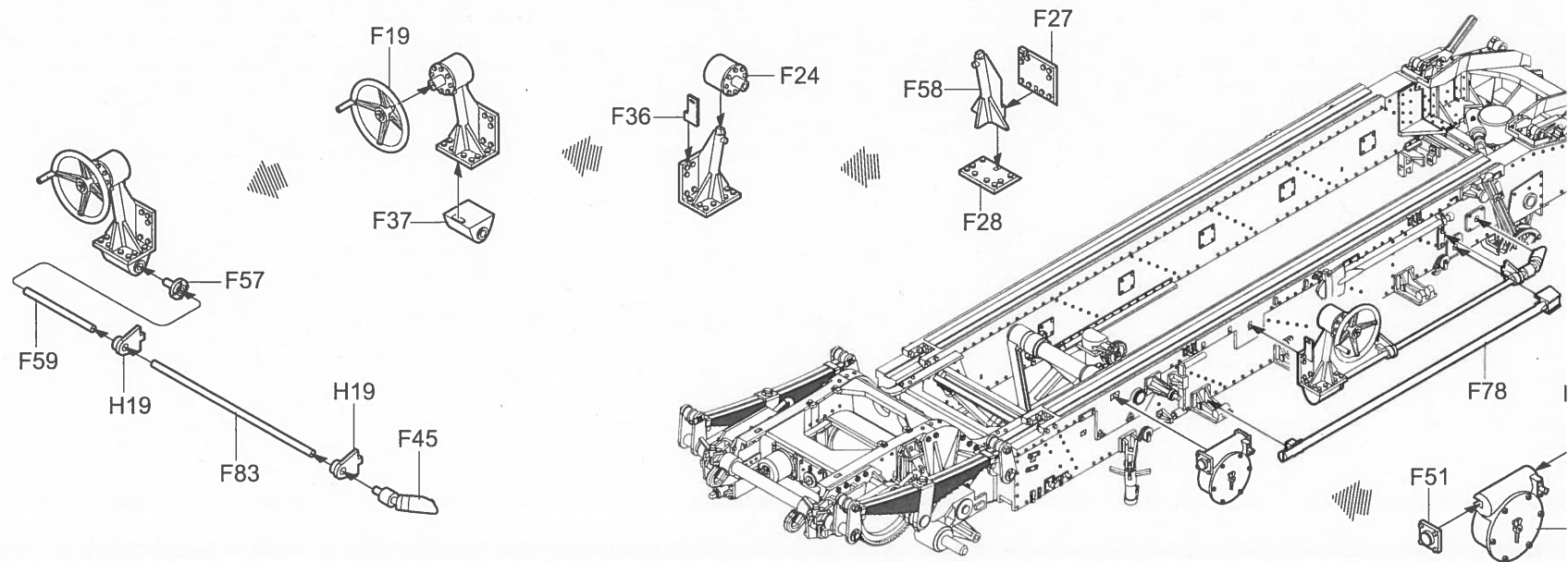
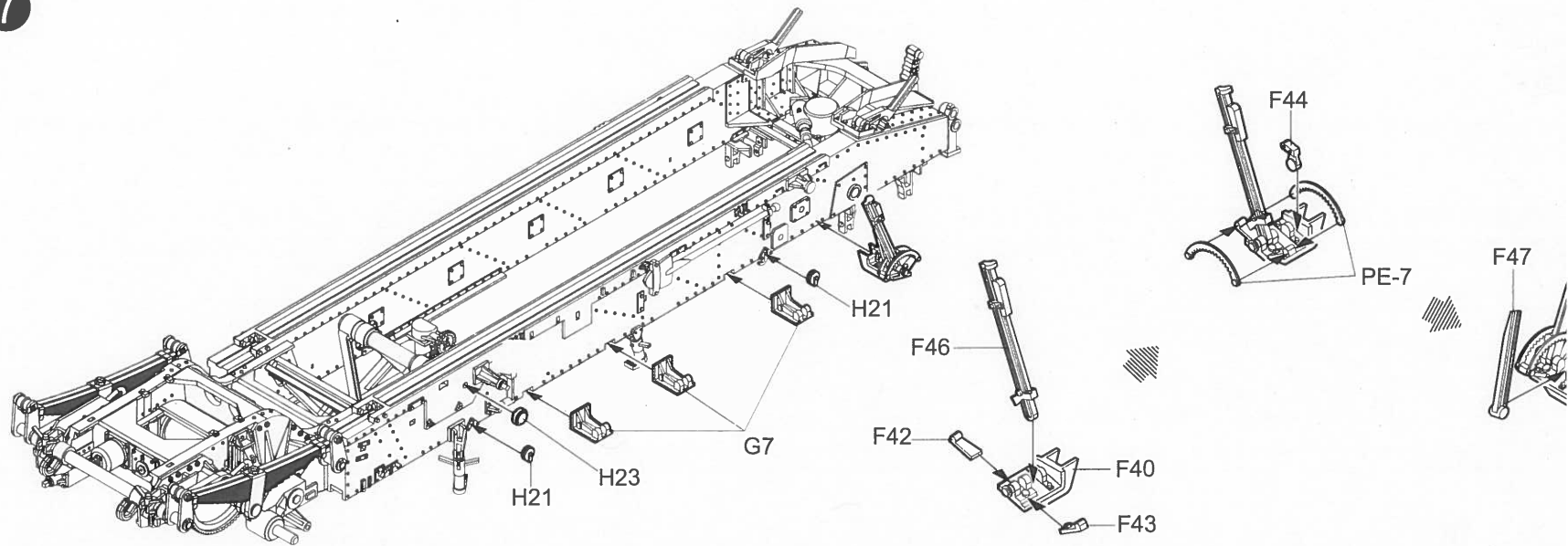
6



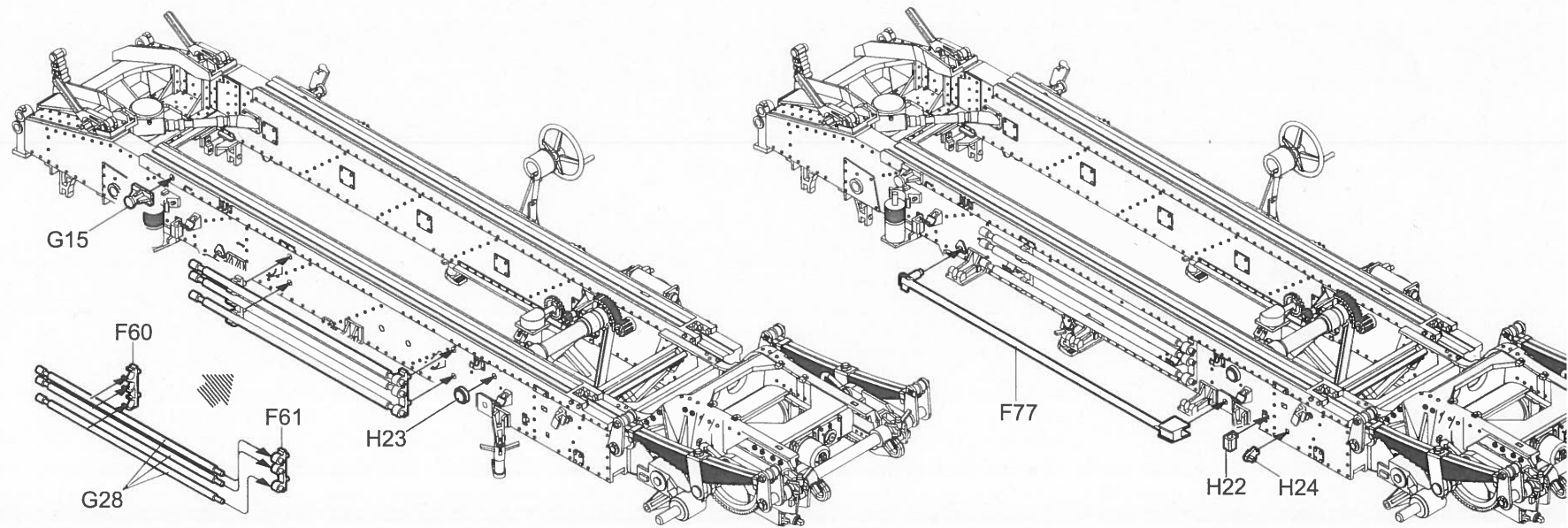
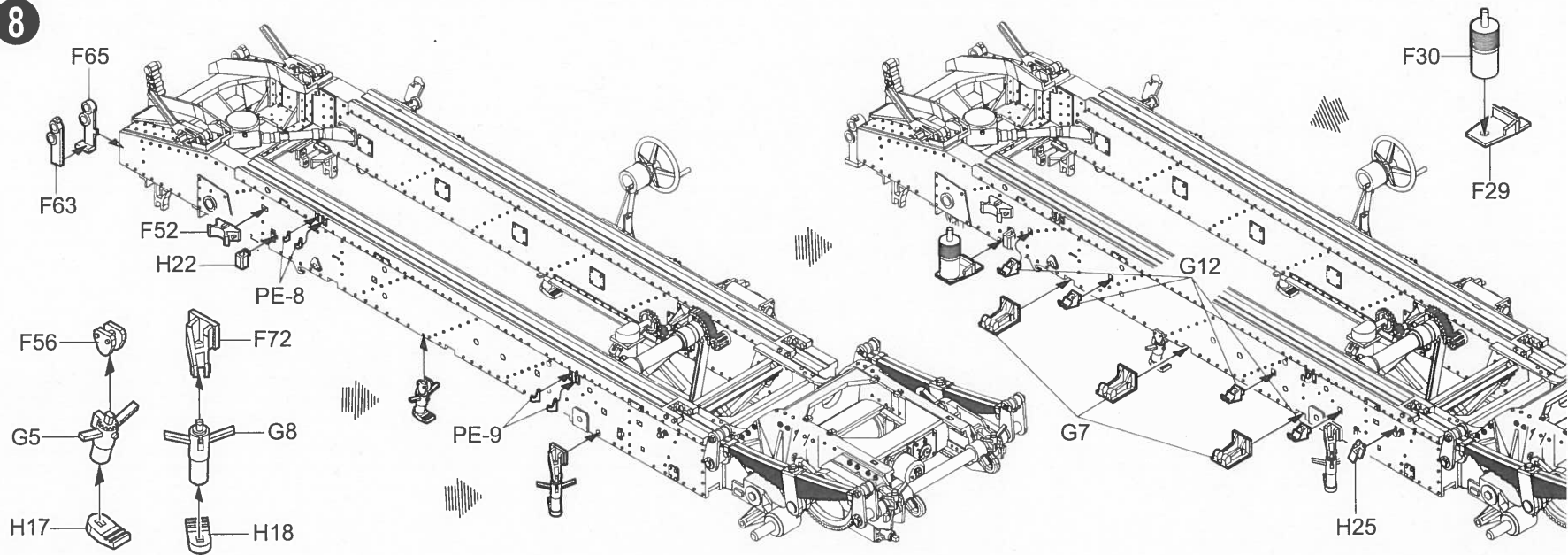
02314

7

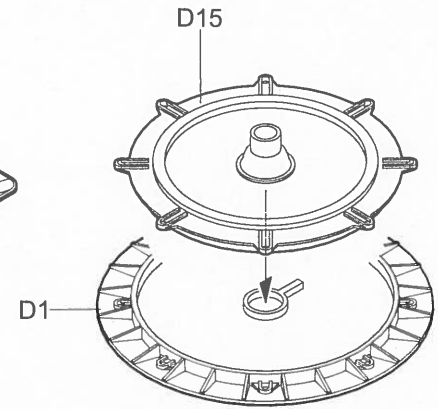
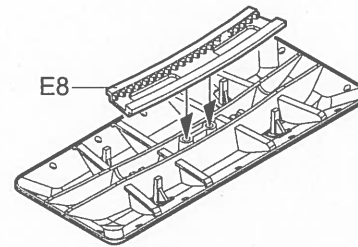
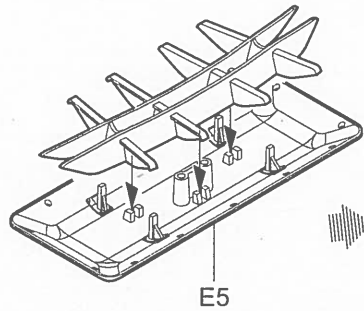
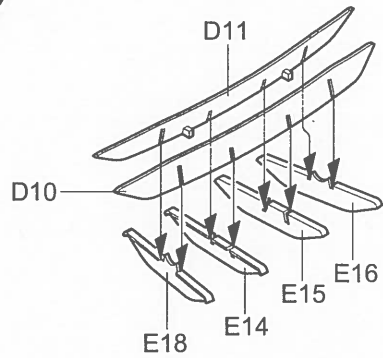
7



8

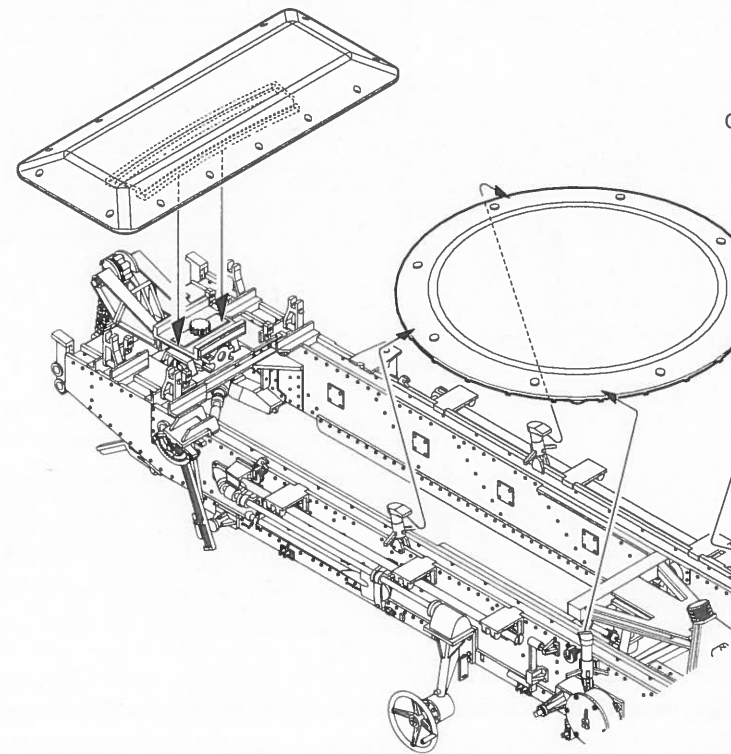
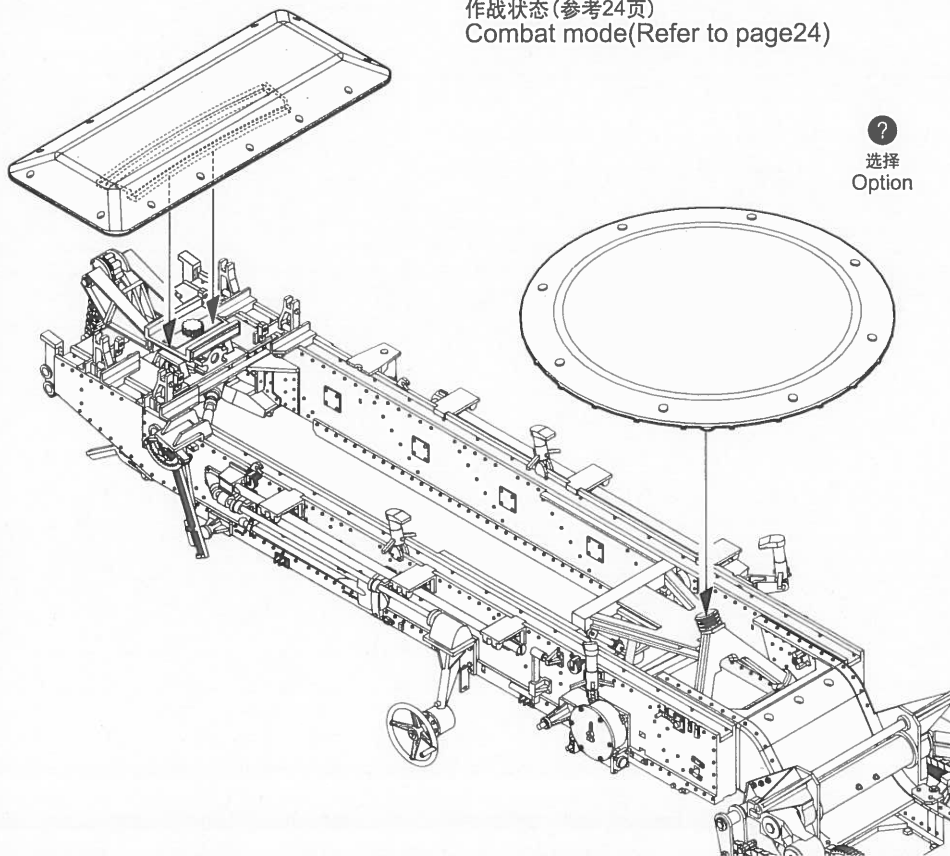


9

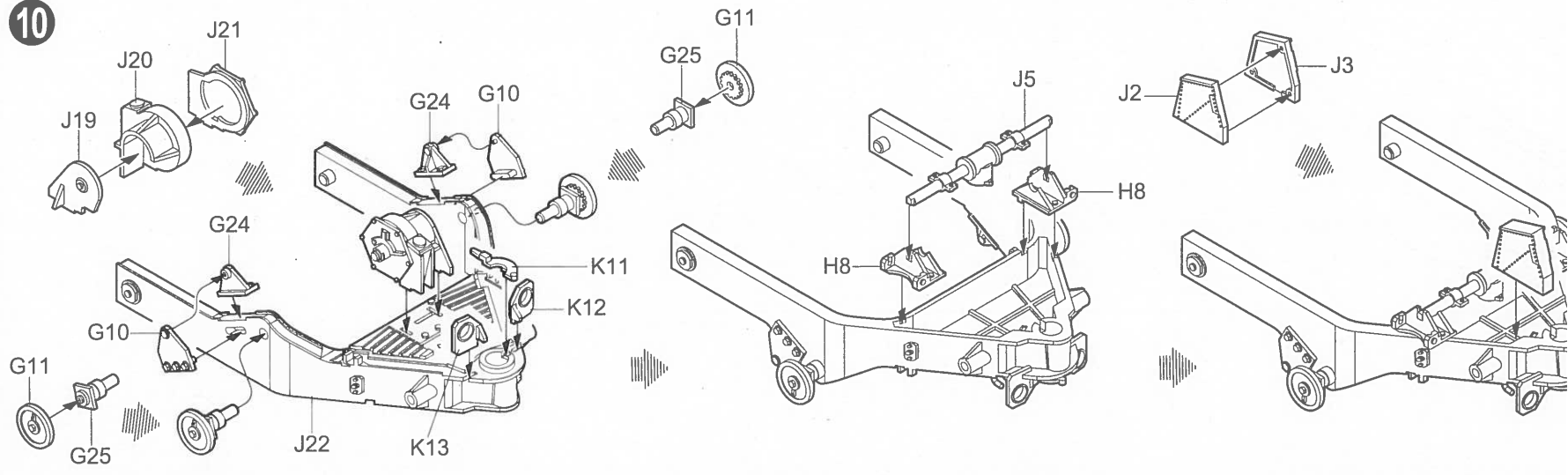


作战状态(参考24页)
Combat mode(Refer to page24)

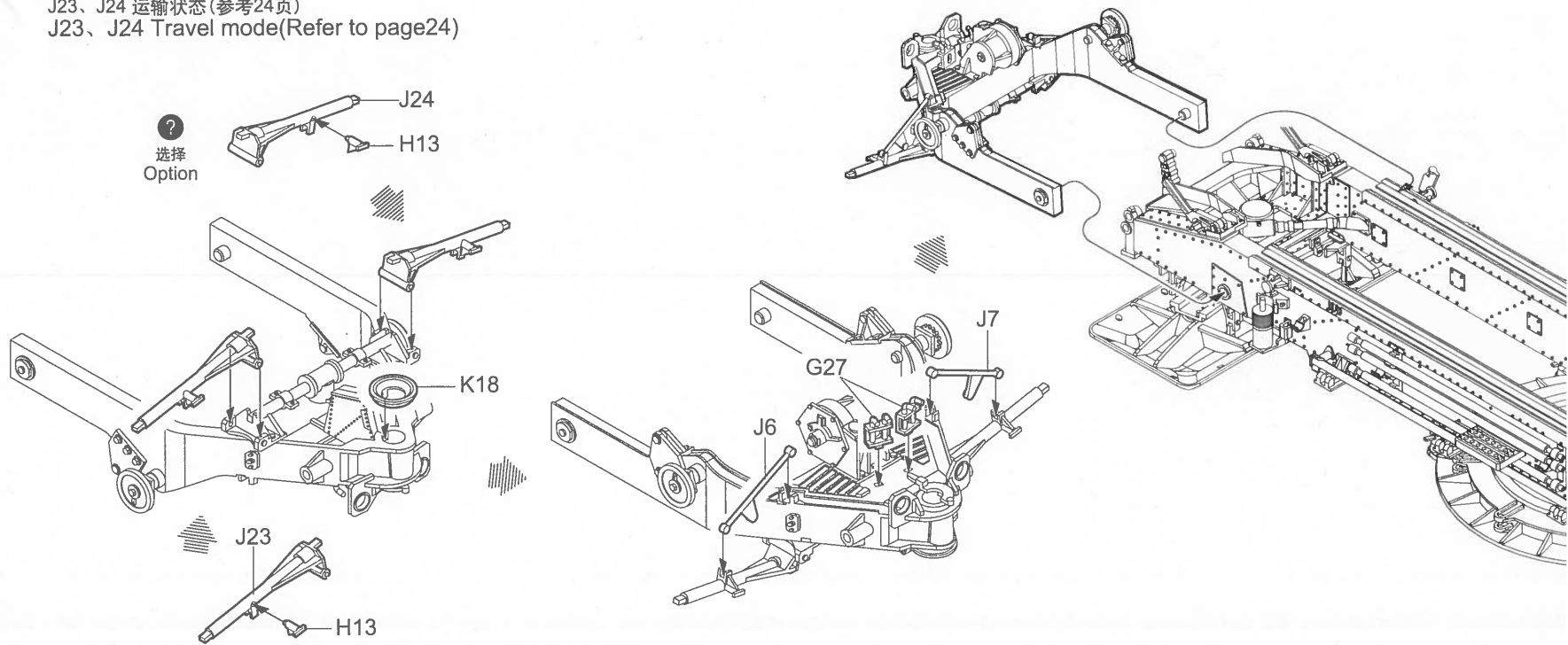
运输状态(参考24页)
Travel mode(Refer to page24)



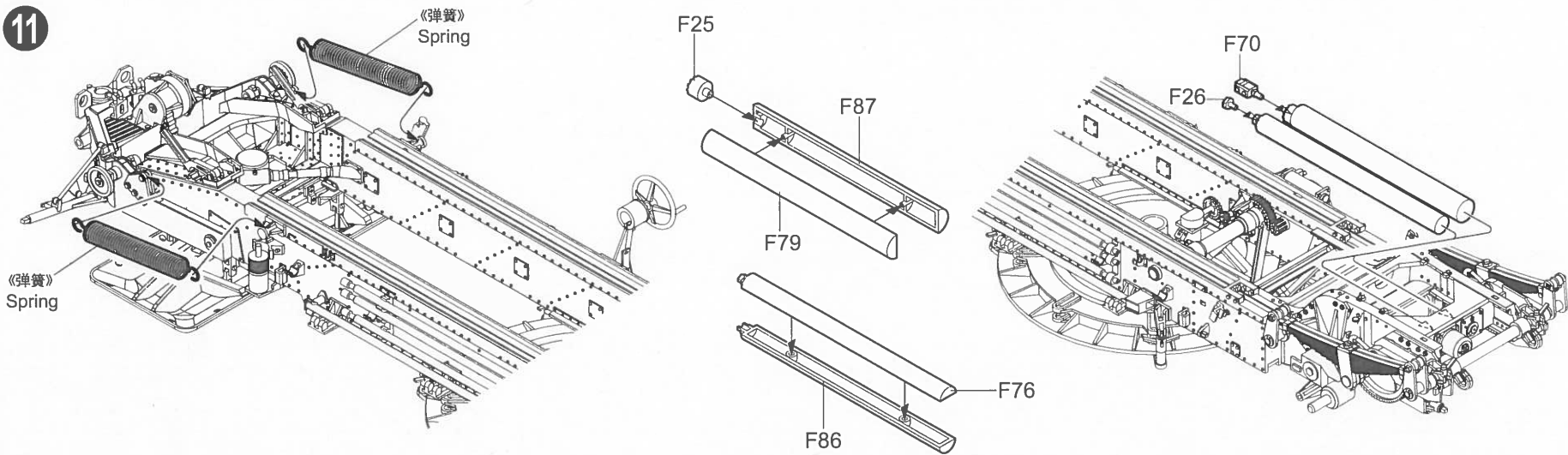
10



J23、J24 运输状态(参考24页)
 J23、J24 Travel mode(Refer to page24)

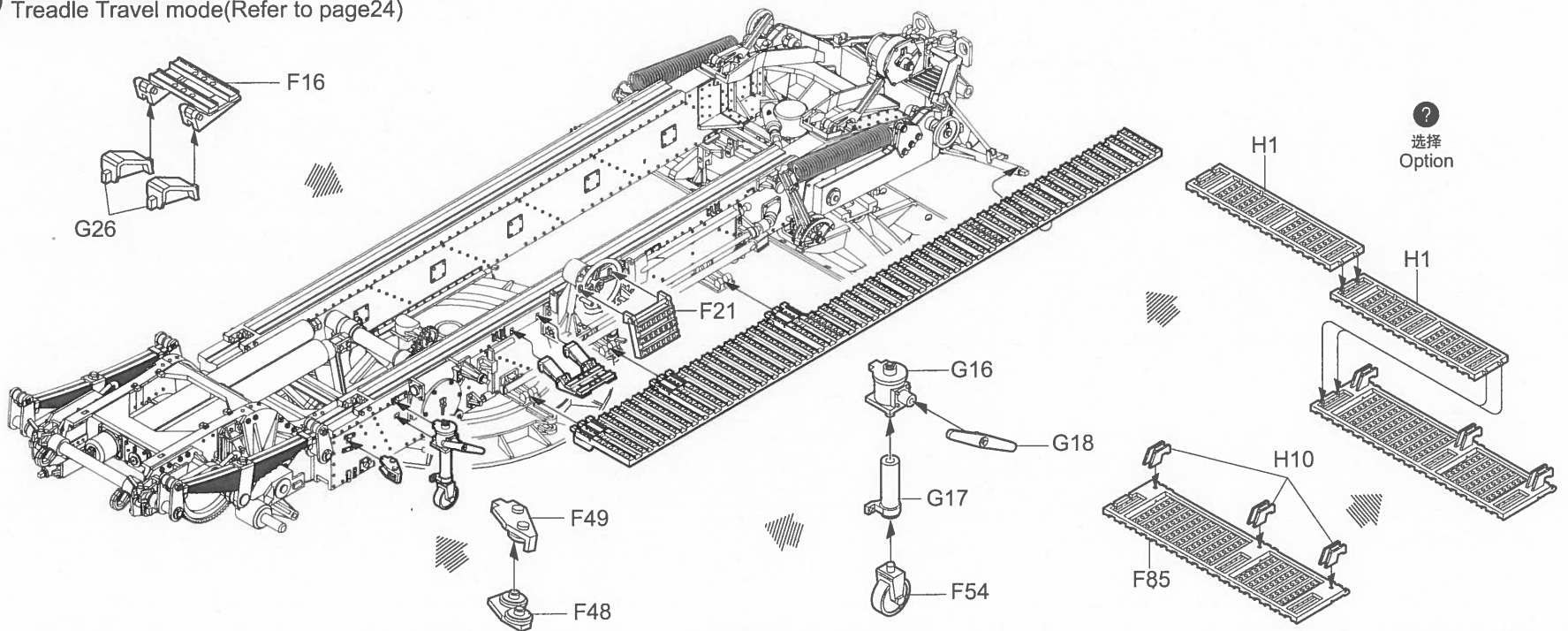


11



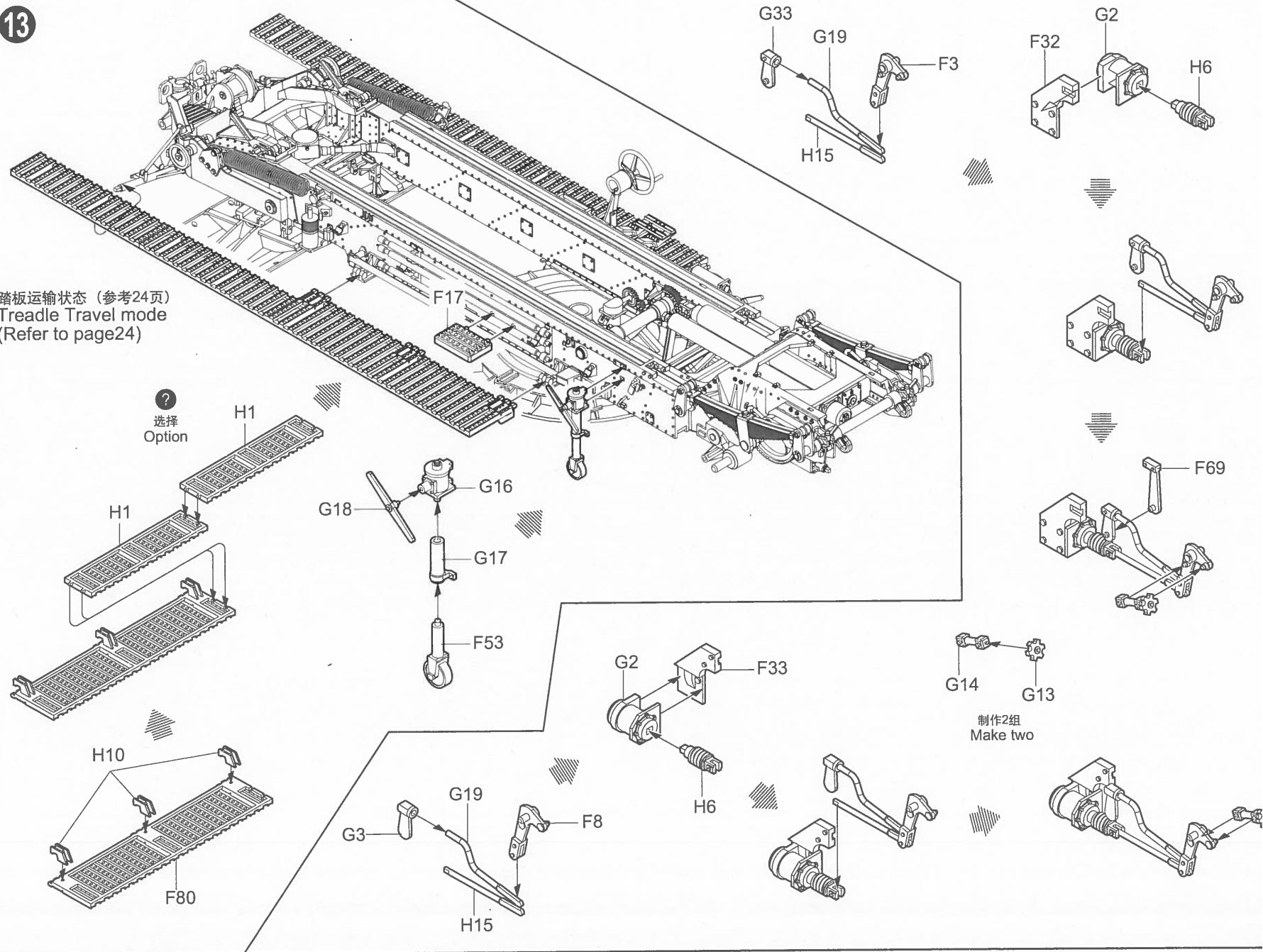
12

踏板运输状态 (参考24页)
Treadle Travel mode (Refer to page 24)



13

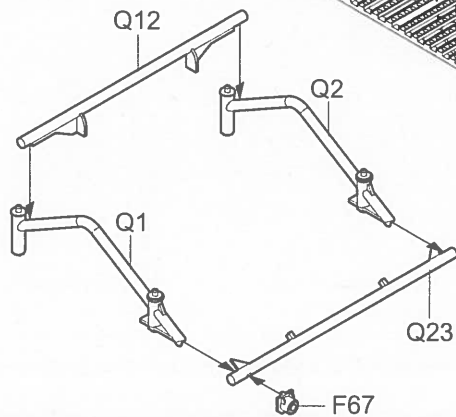
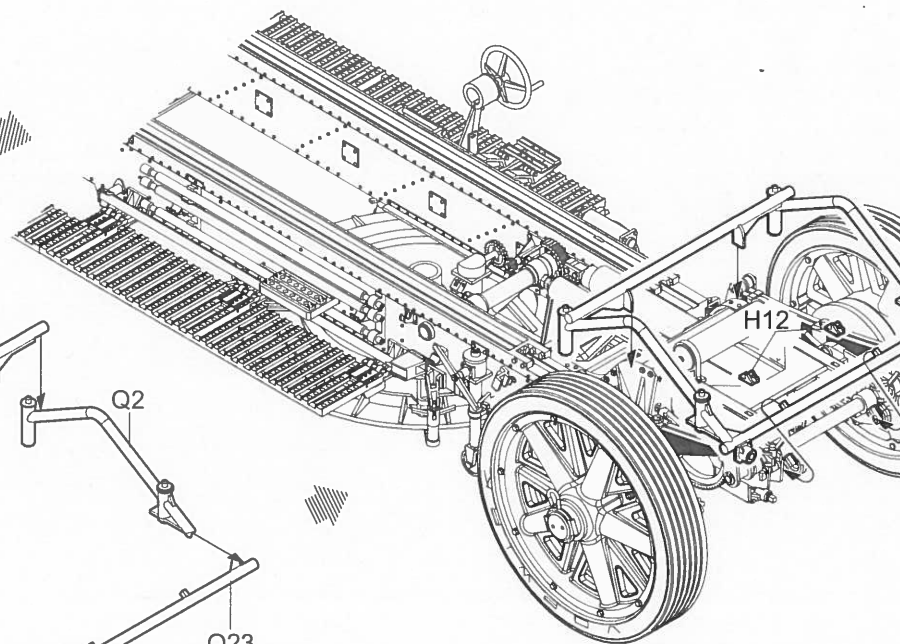
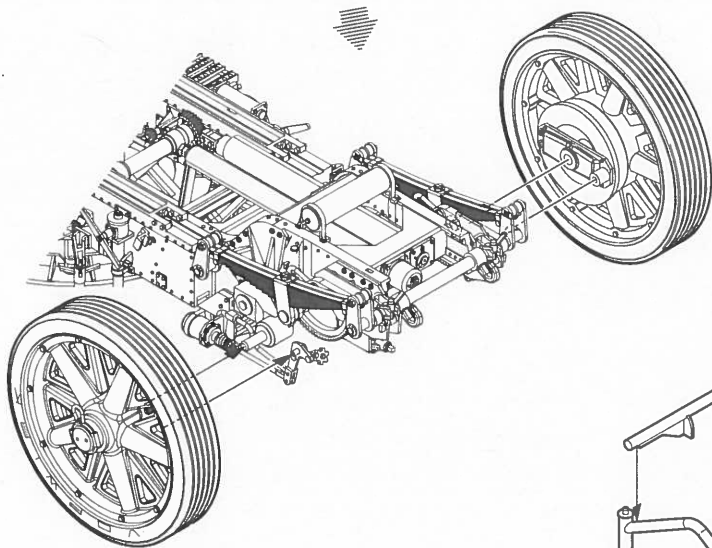
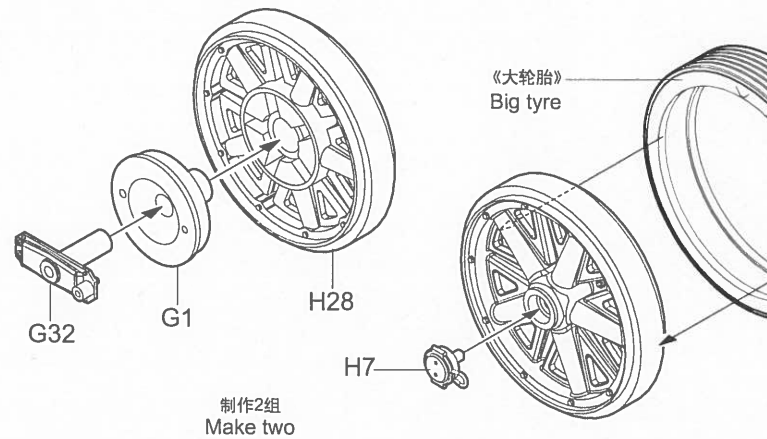
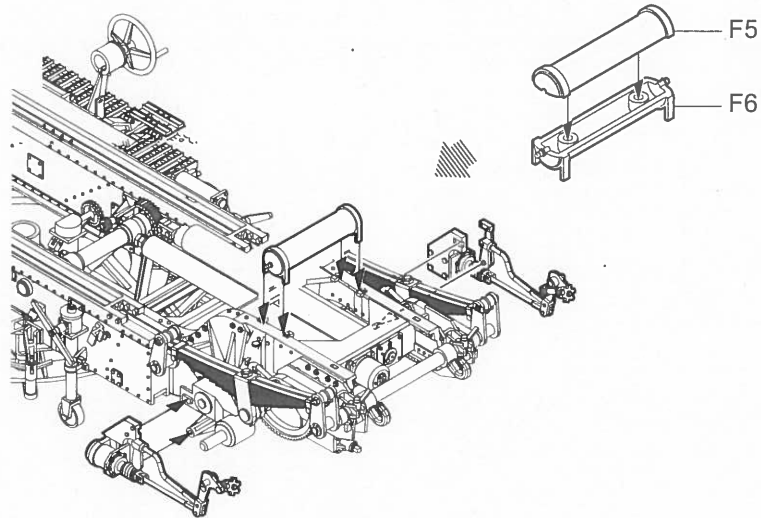
踏板运输状态 (参考24页)
Treadle Travel mode
(Refer to page24)



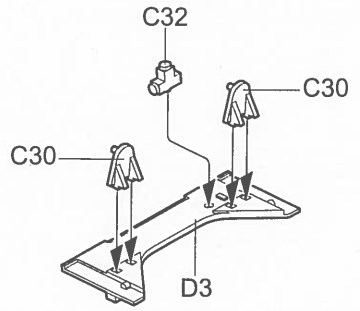
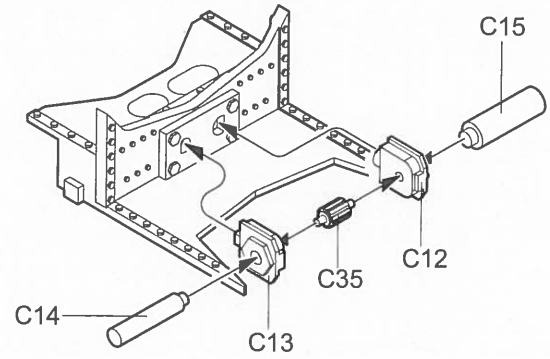
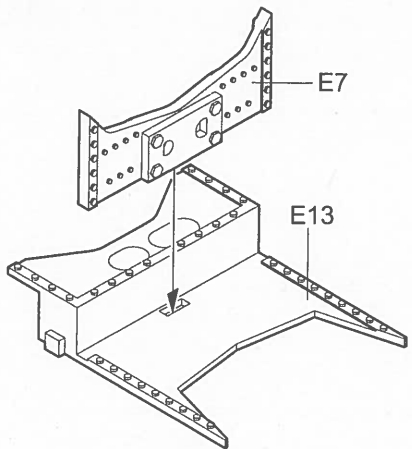
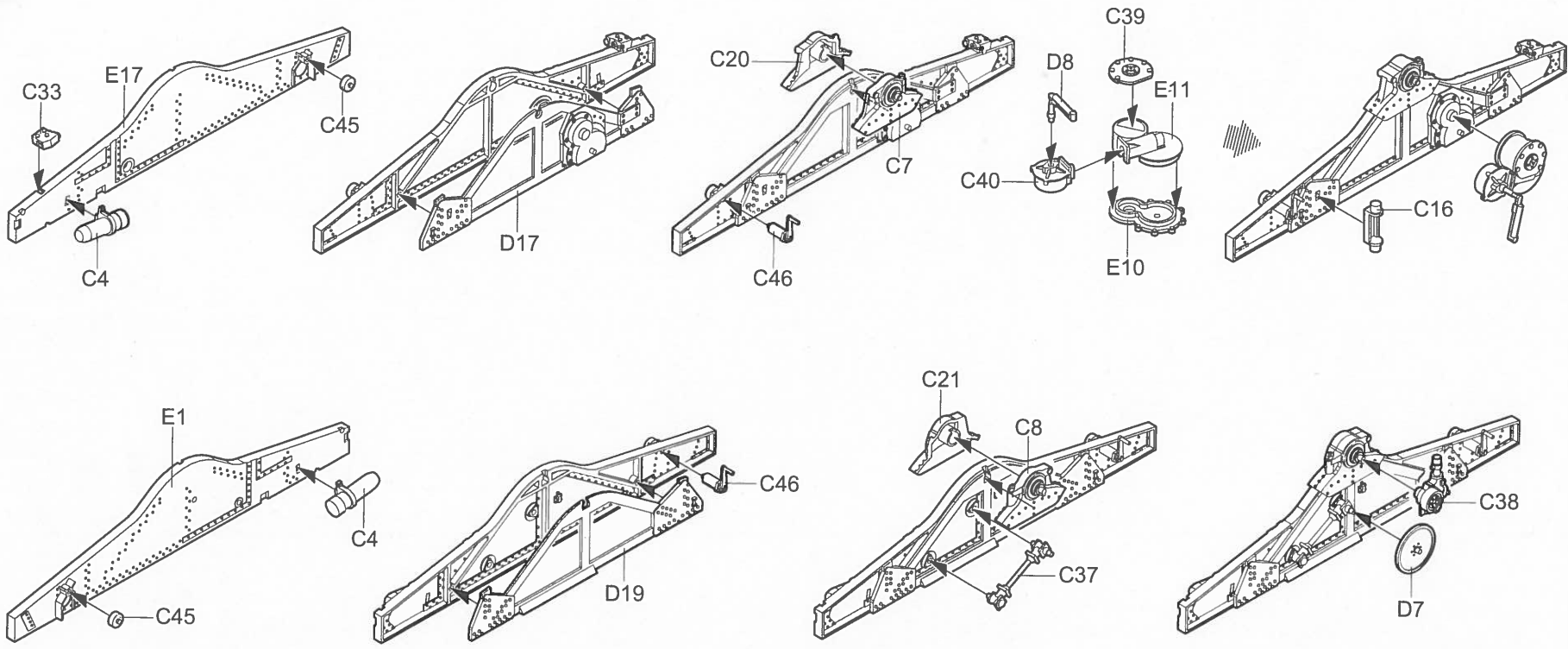
选择 Option

制作2组
Make two

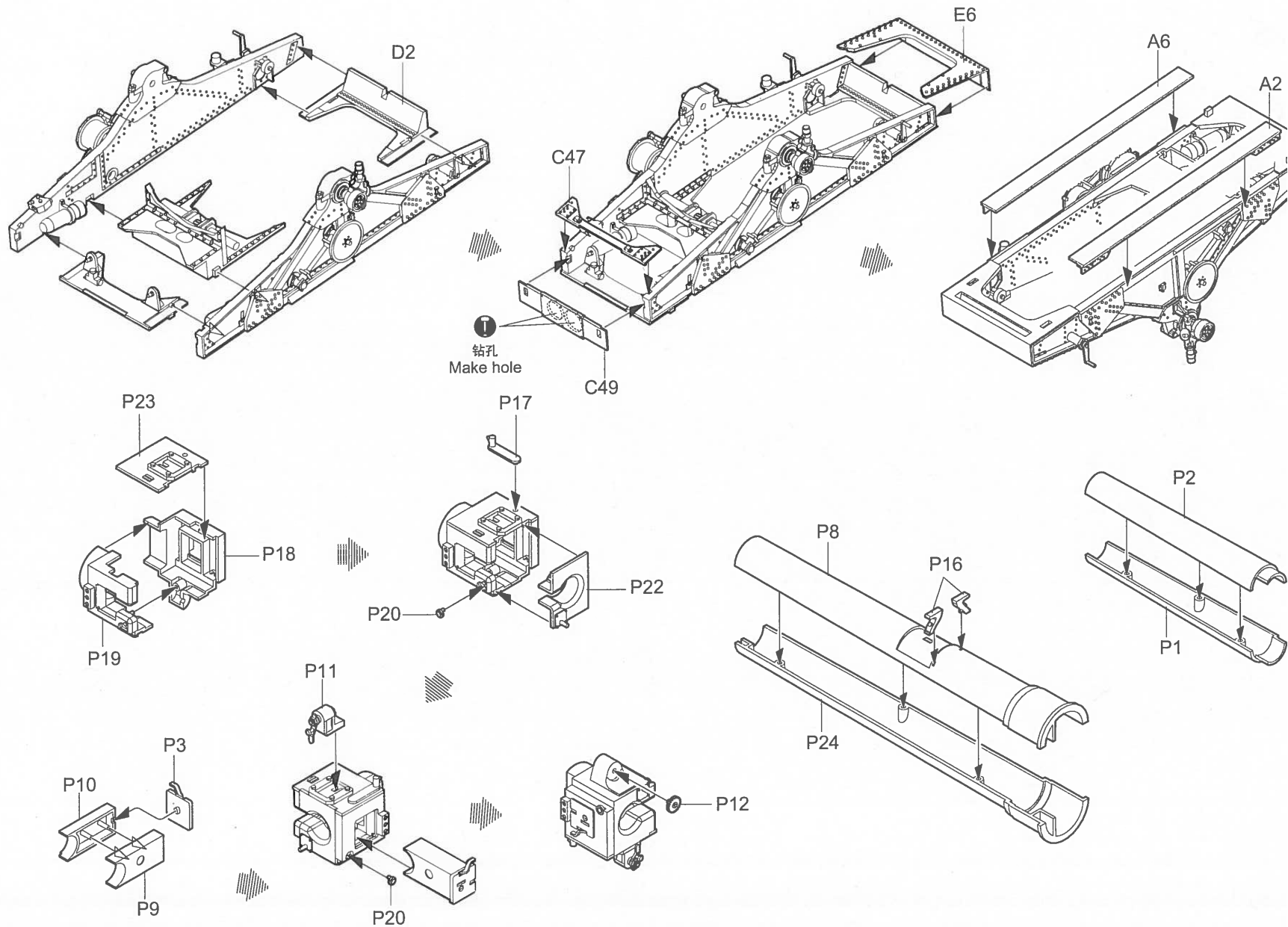
14



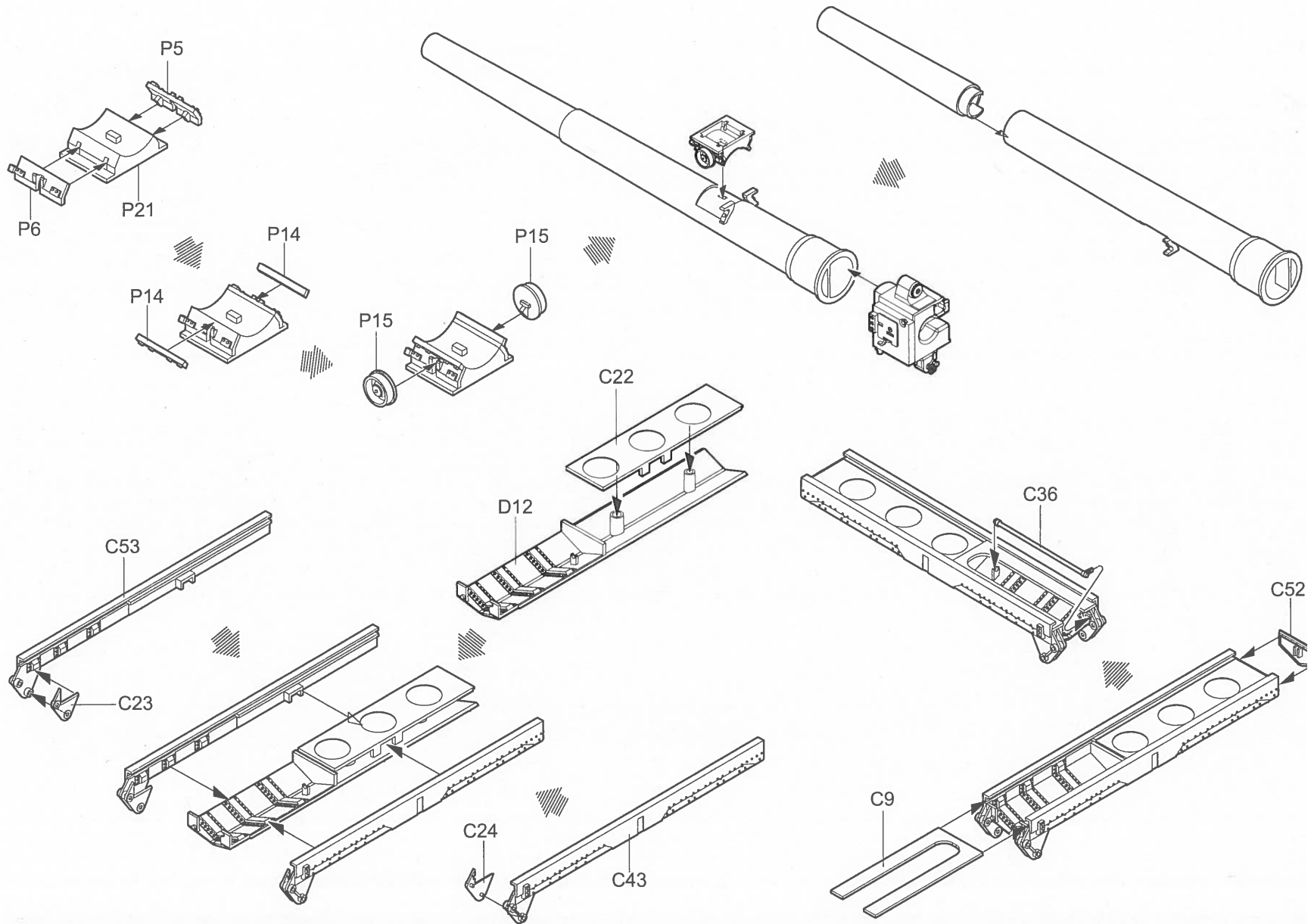
15



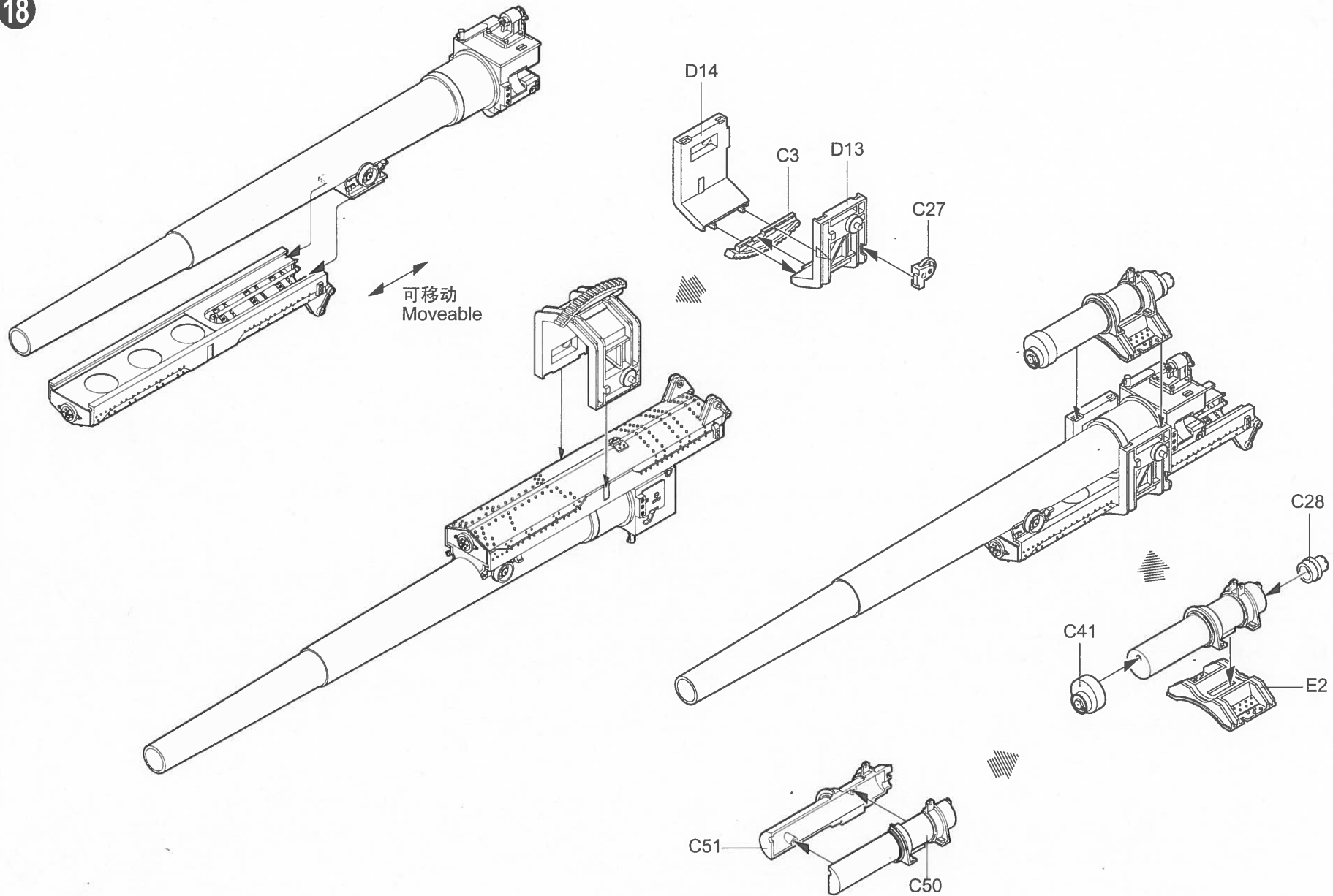
16



17



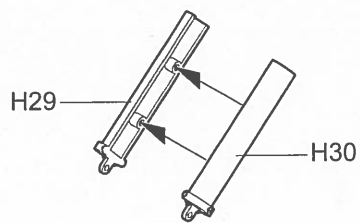
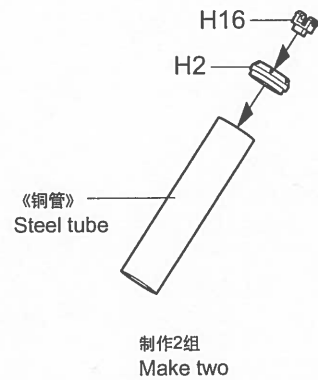
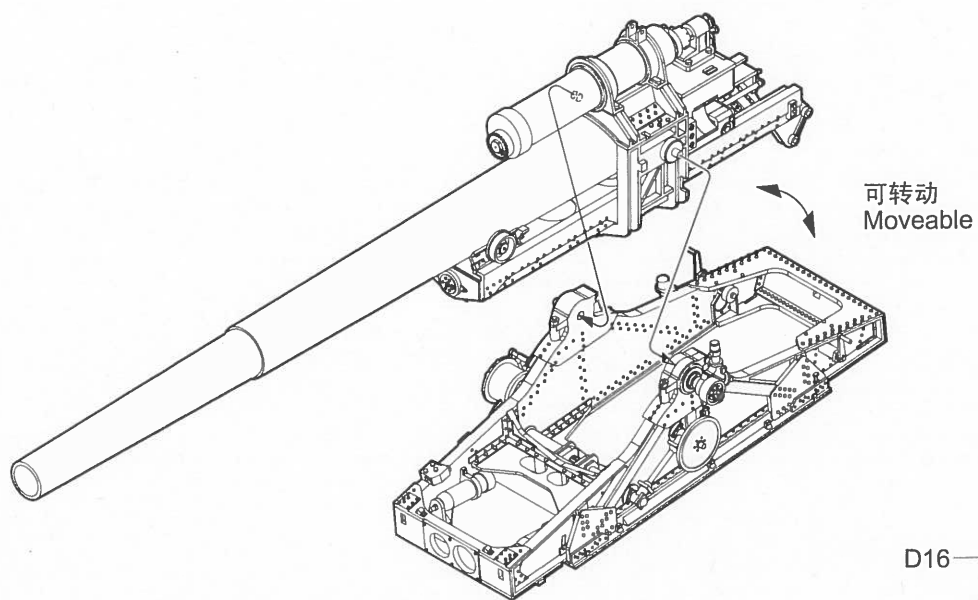
18



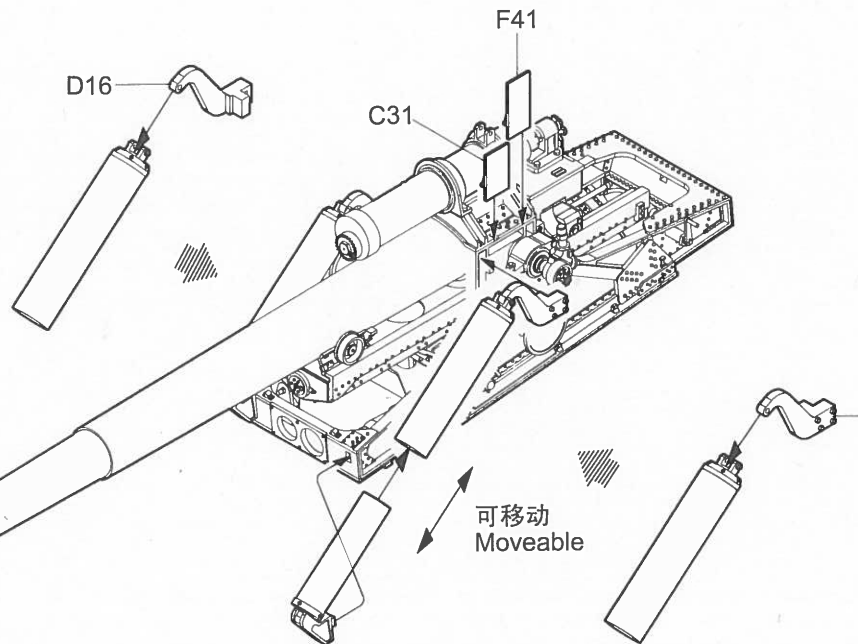
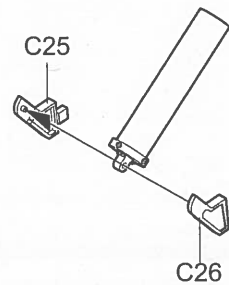
02314
02314

18

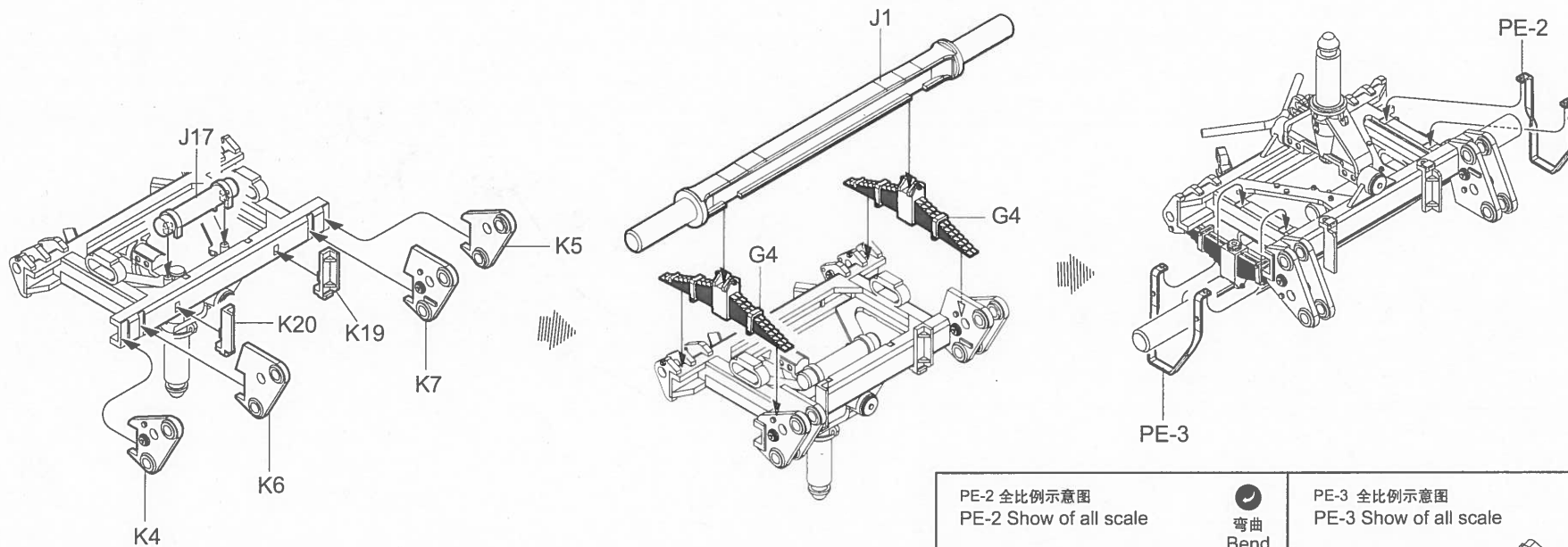
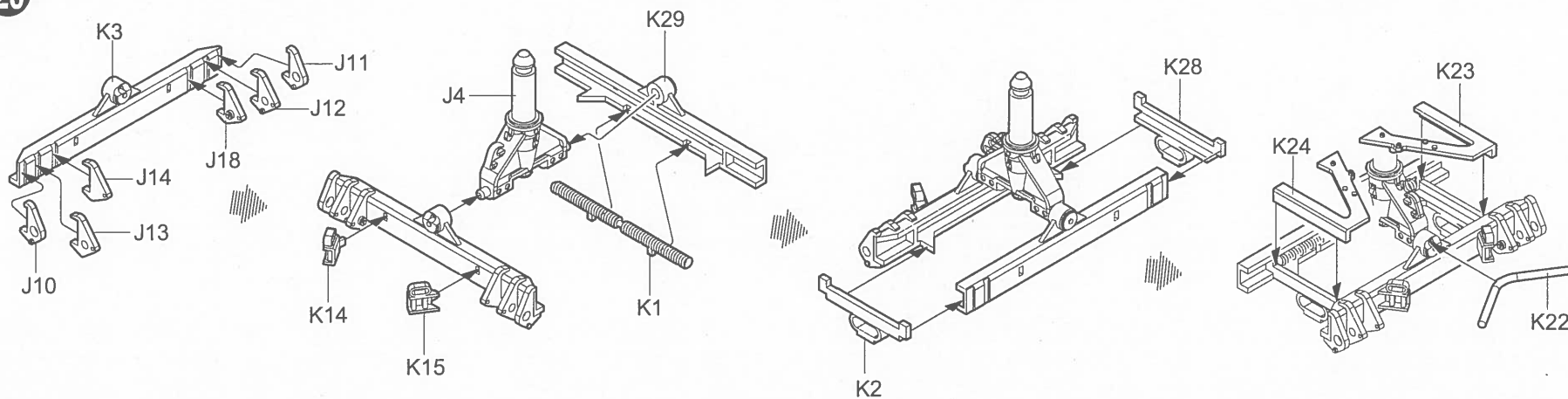
19



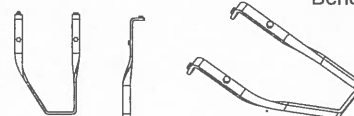
制作2组
Make two



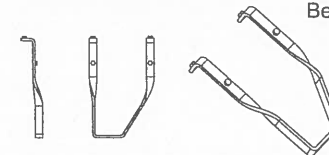
对侧相同
Both sides



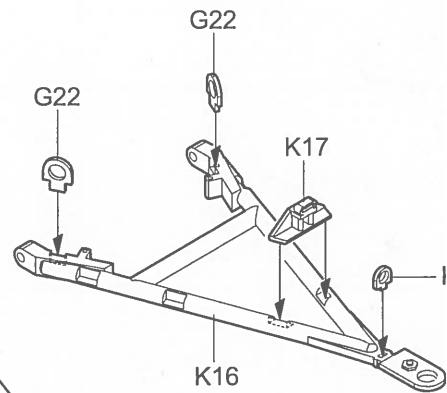
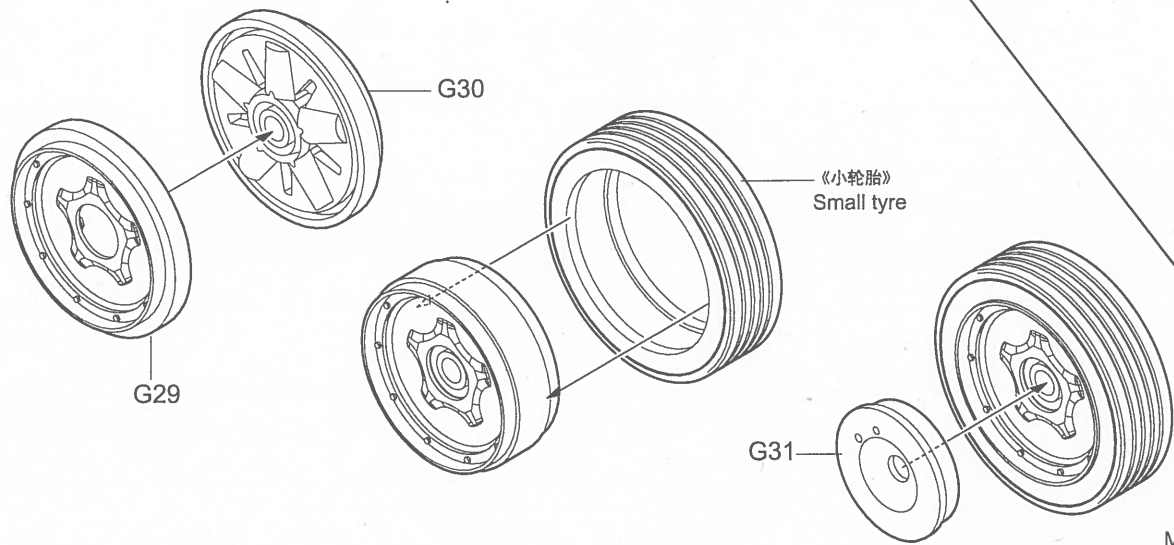
PE-2 全比例示意图
PE-2 Show of all scale



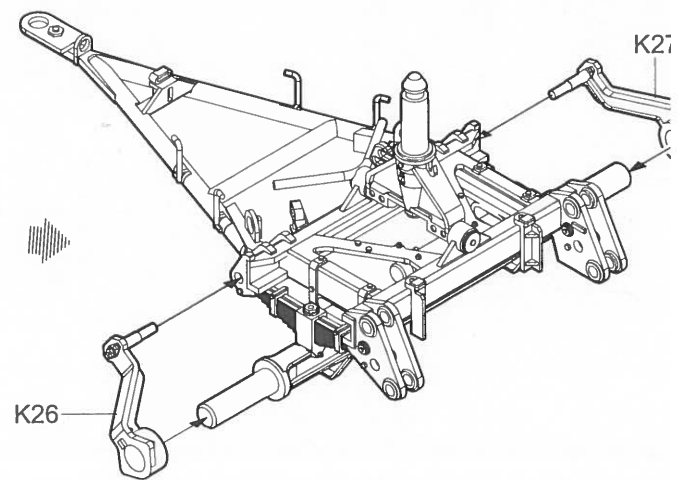
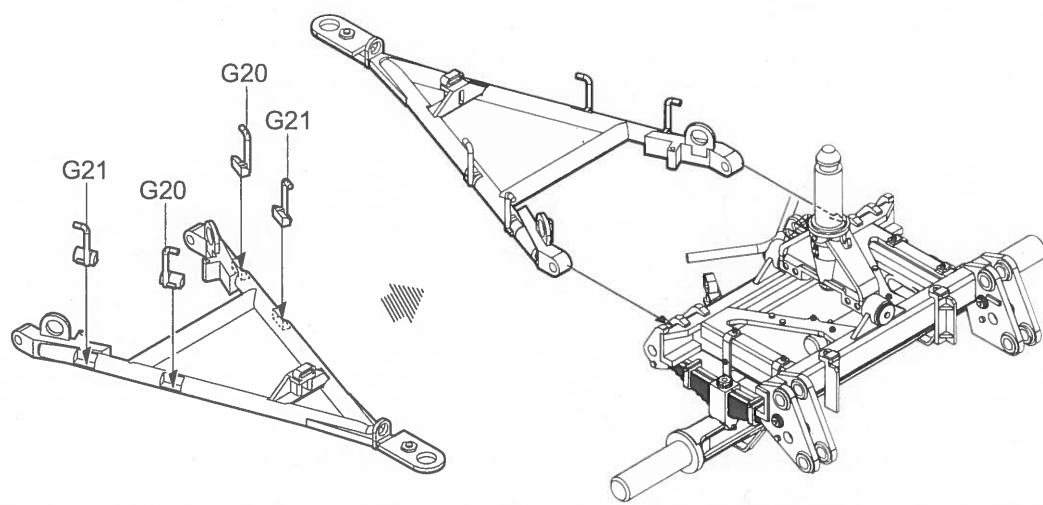
PE-3 全比例示意图
PE-3 Show of all scale

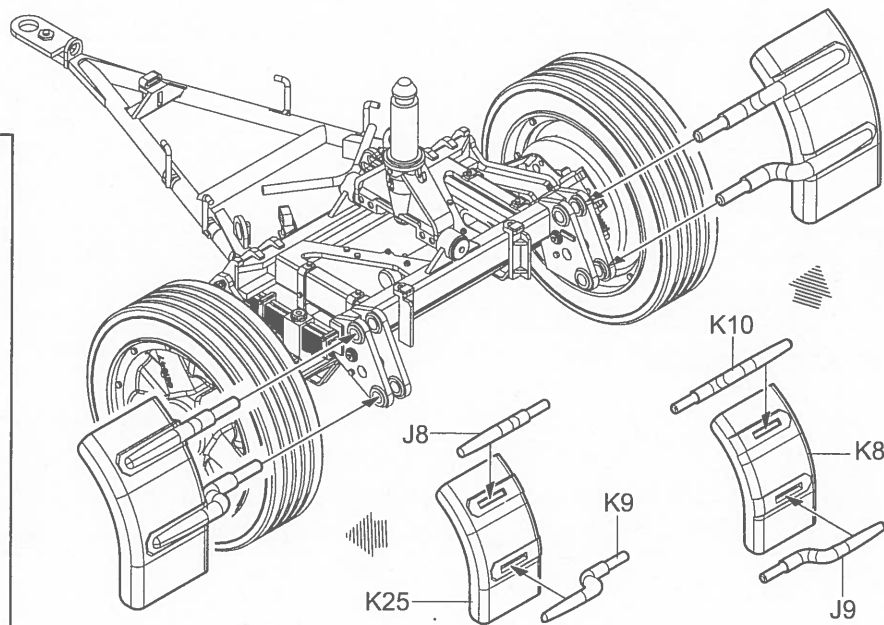
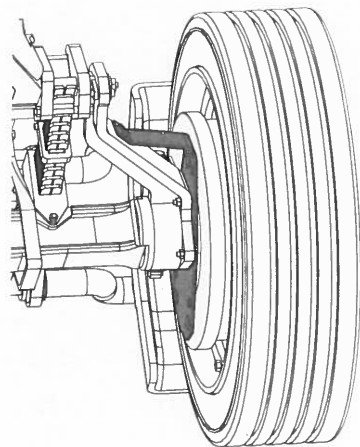
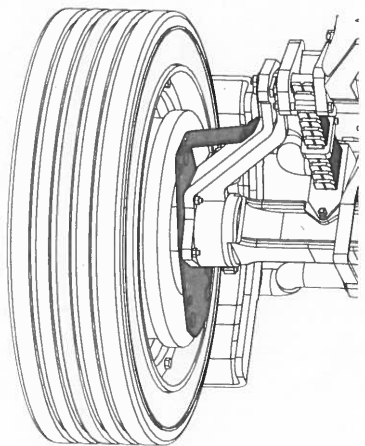
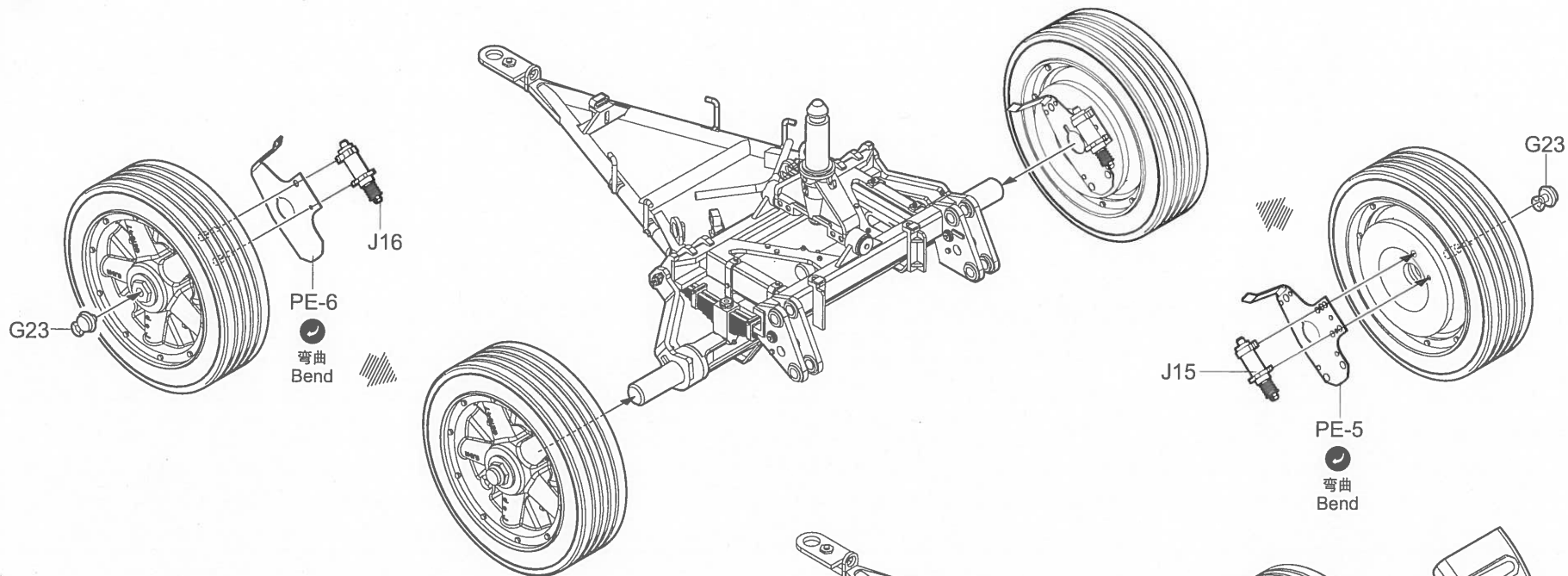


21

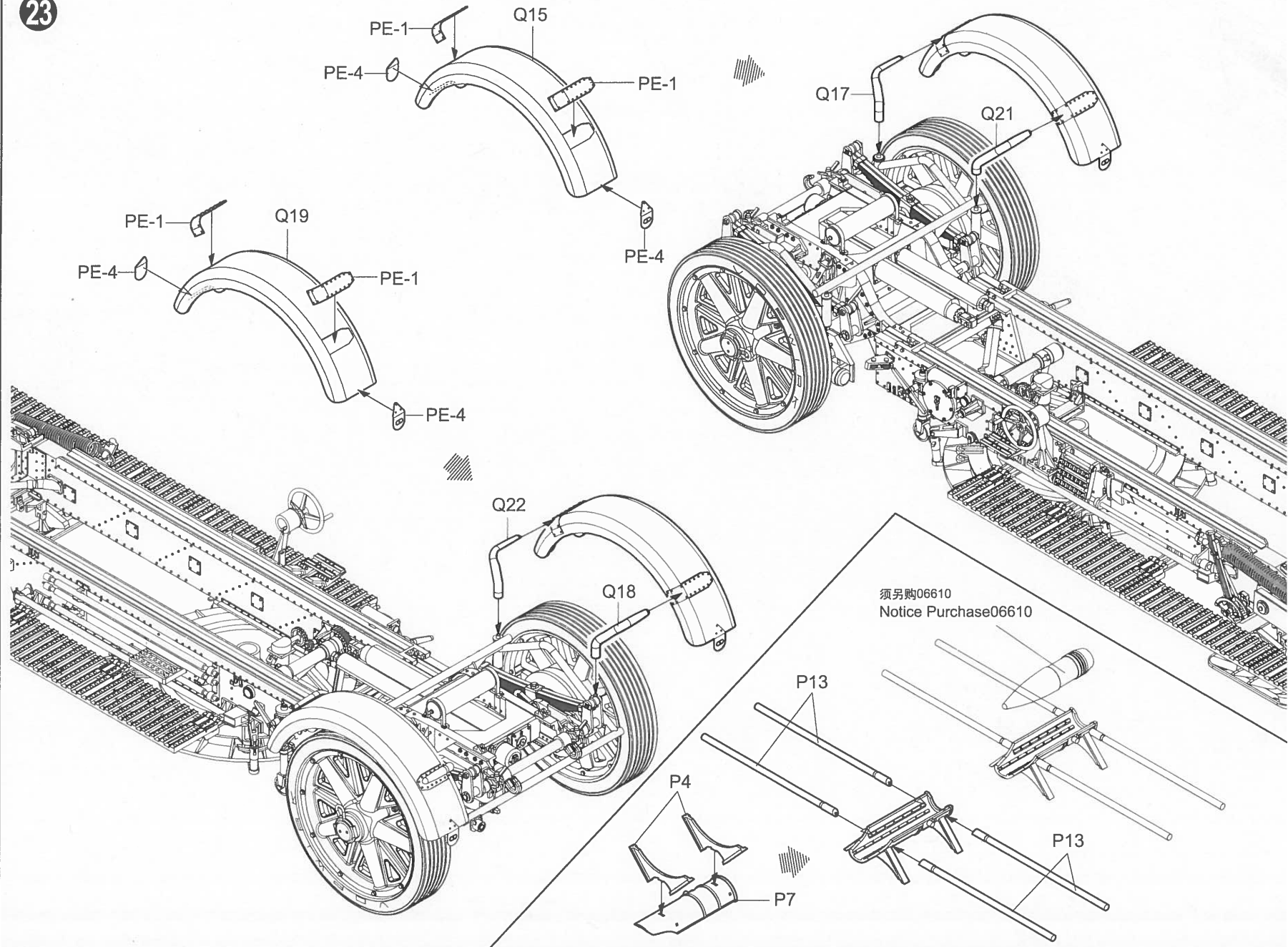


制作2组
Make two

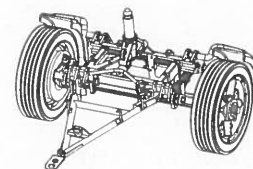
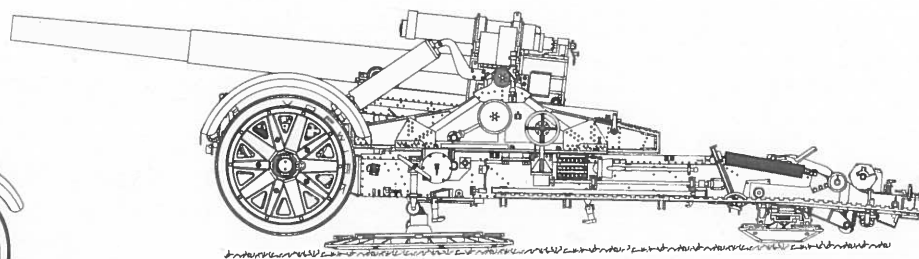
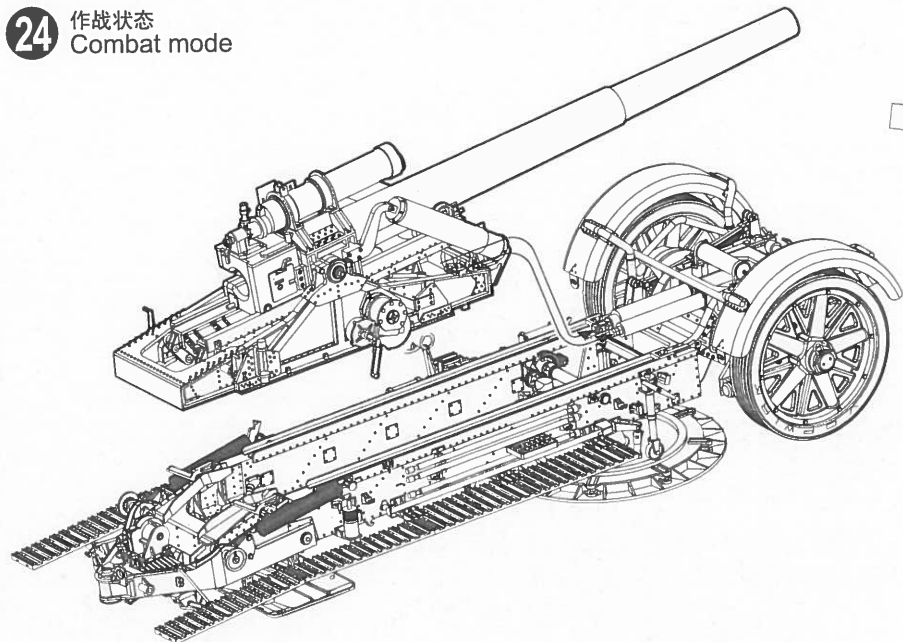




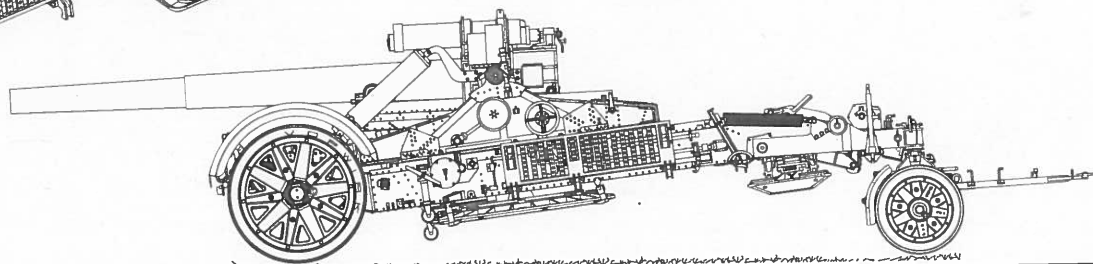
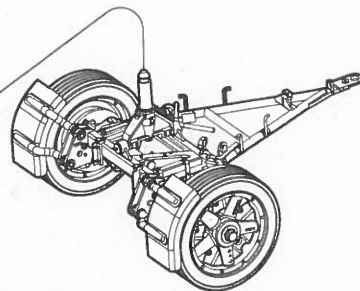
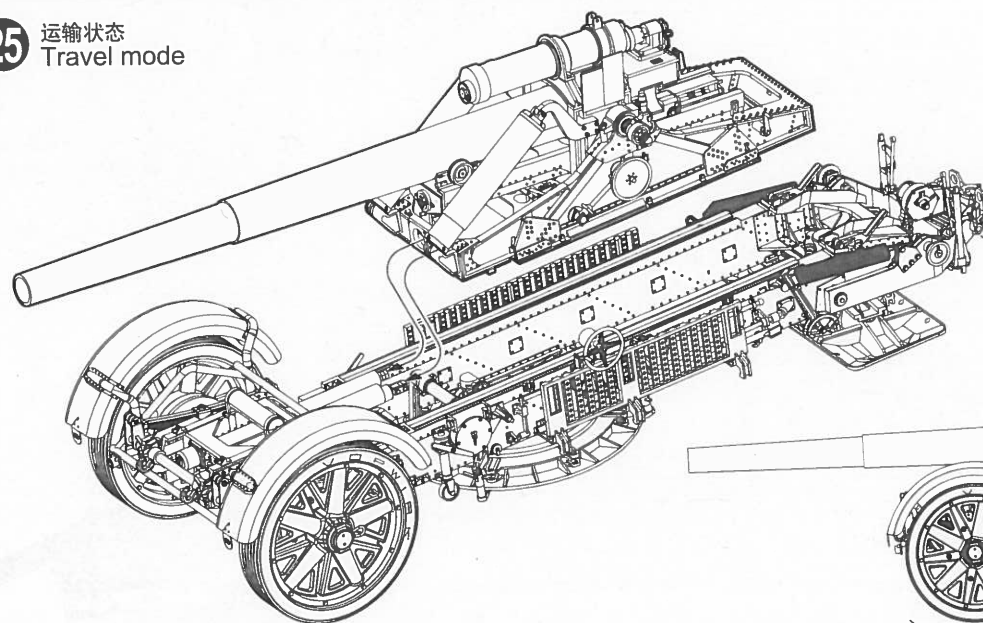
23



24 作战状态
Combat mode



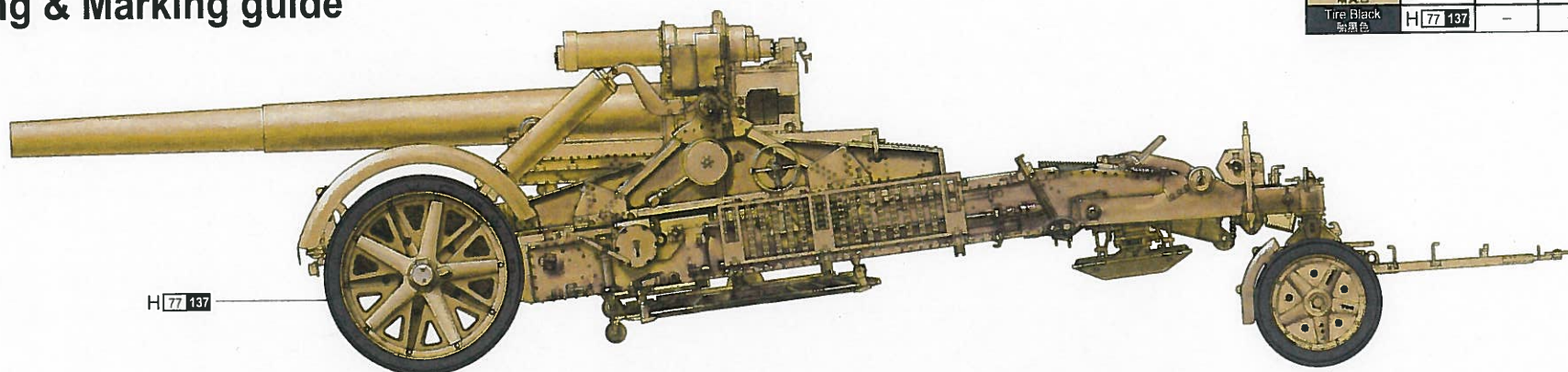
25 运输状态
Travel mode



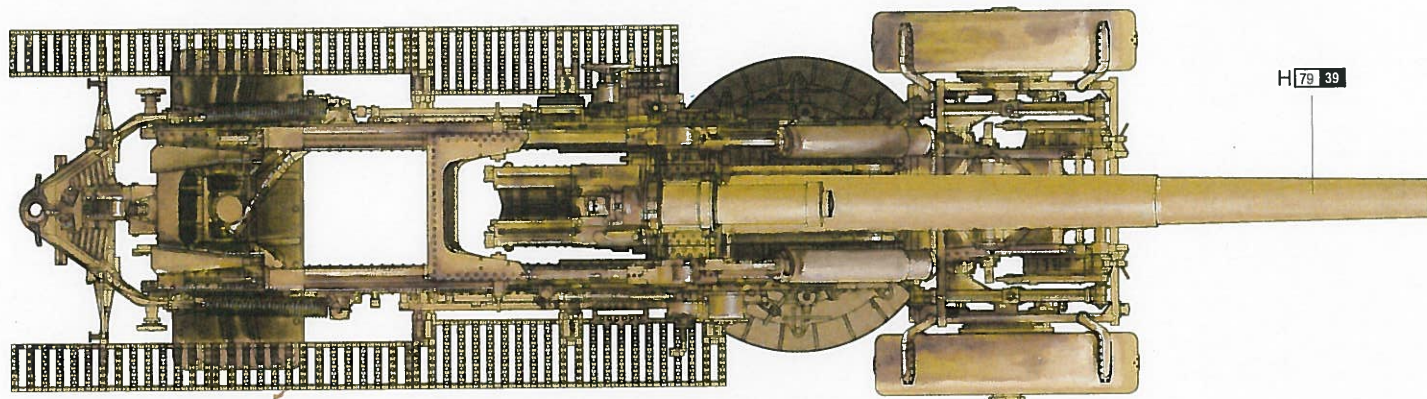
涂装同标贴指示

Painting & Marking guide

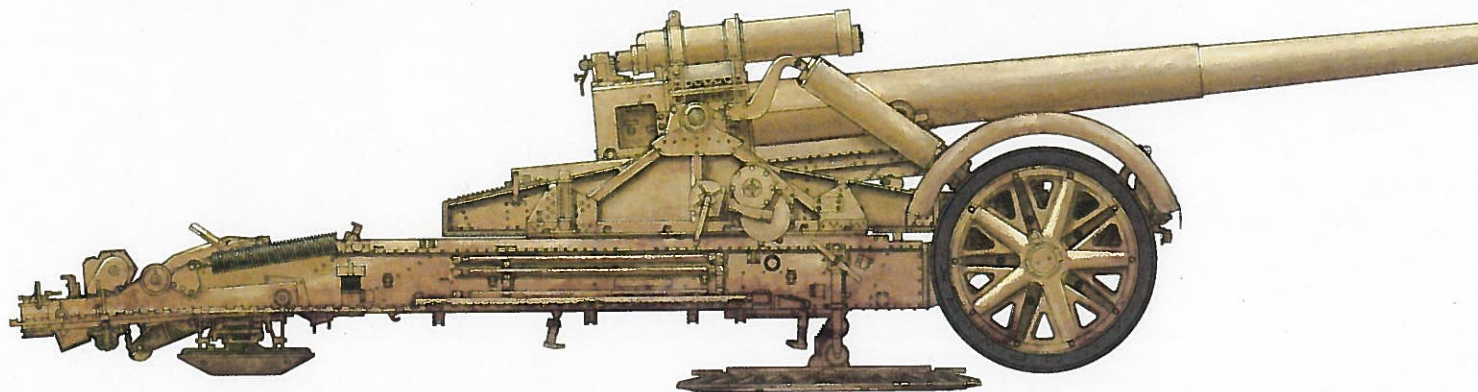
PAINT REFERENCE COLOUR					
Color	Mr.Hobby	Vallejo	Model Master	Tamiya	Humbrol
Dark Yellow 暗黄色	H 79 39	824	-	XF59	93
Tire Black 轮胎色	H 77 137	-	-	-	-



H 77 137



H 79 39



H AQUEOUS HOBBY COLOR ■ Mr. COLOR

02314 1/35 German 21cm Mörser 18