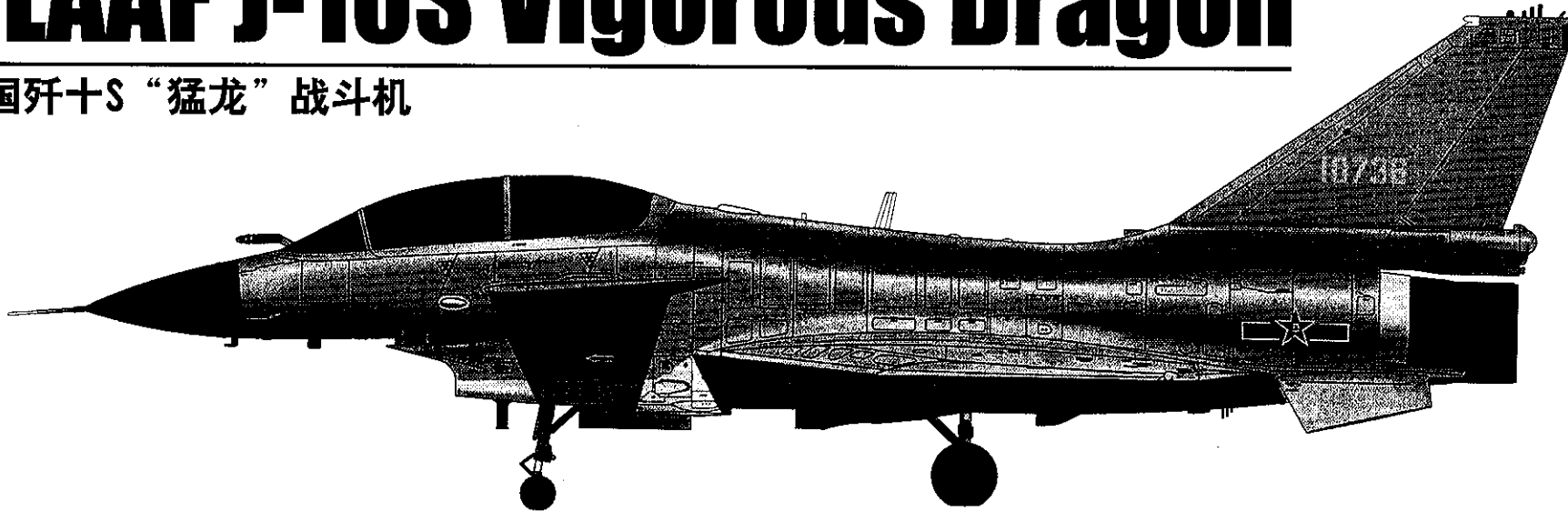


1/48 SCALE

ITEM NO.:02842

# PLAAF J-10S Vigorous Dragon

## 中国歼十S“猛龙”战斗机



### READ BEFORE ASSEMBLY:

- Study and understand these instructions thoroughly before beginning assembly
- When needed, remove photo-etch parts carefully using a modeling knife or photo etch sprue cutter, being careful not to damage or lose small parts.
- Take extra care in handling photo etch parts in order to avoid injury
- Apply instant cement sparingly to photo etch parts where instructed

- Tools recommended(not included in kit):Plastic and instant cements,sprue cutters,long nose pliers,modeling knife, small files, tweezers, pin vise & scissors. Soft cloth and sandpaper will also assist in construction
- Glue and paint are not included in the kit. Use plastic cement and hobby paints only. Color guide for purchasing paint is included in the kit.

### 装配之前仔细阅读

- 小心用模型锉刀锉平所有零件表面的注射浇口。
- 小心用刀片切下蚀刻片零件，不要遗失小零件。
- 用强力快干胶水粘合蚀刻片零件和金属轴。过量的快干胶水使用可能导致可动零件会粘住，小心涂胶。
- 取蚀刻片时应特别注意安全，防止利刃划伤手指。
- 某些零件表面需贴水上贴纸，请选择在装配的同时进行。
- 推荐模型工具(自备)：胶水，水口剪刀，长咀钳，刀片，锉刀，镊子钳，钻，剪刀，瞬间快干胶。
- 软布同砂纸同时也应该是必备工具。
- 请使用塑料胶水和油漆，模型内不舍。

### 水贴纸的使用:

1. 从水贴上剪下印花;
2. 将印花放入温水中浸10秒, 然后放在干净布上。
3. 拿着印花纸板将印花移到模型上;
4. 手指蘸水将印花移到适当的位置;
5. 用软布轻压印花直至水干, 气泡消失。

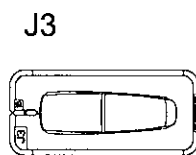
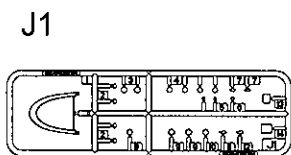
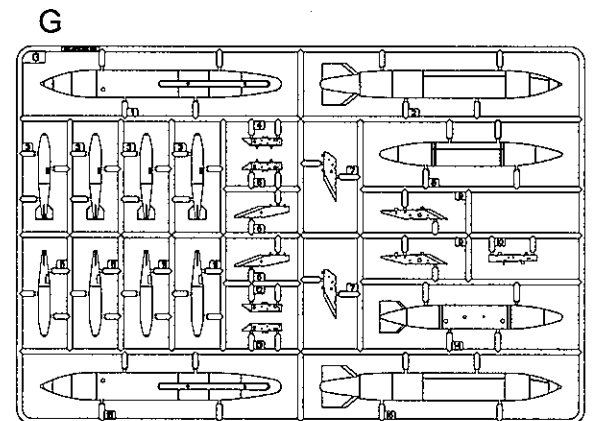
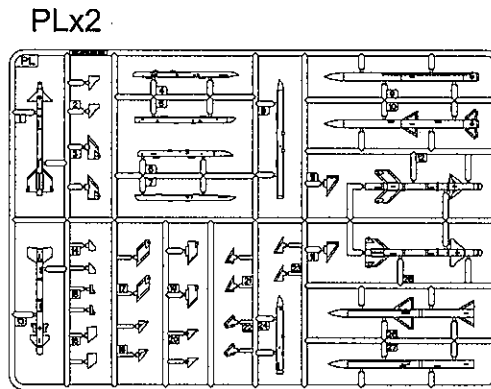
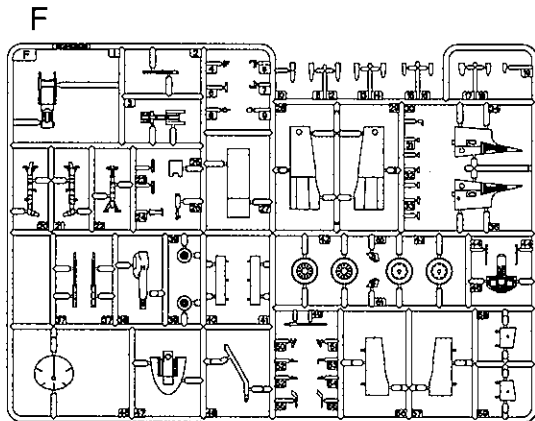
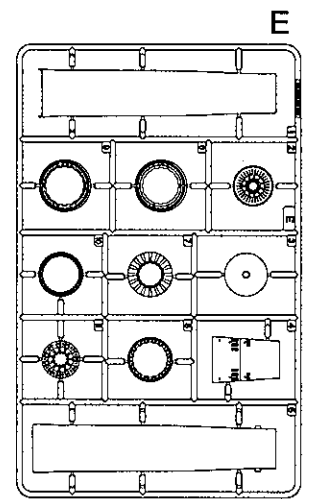
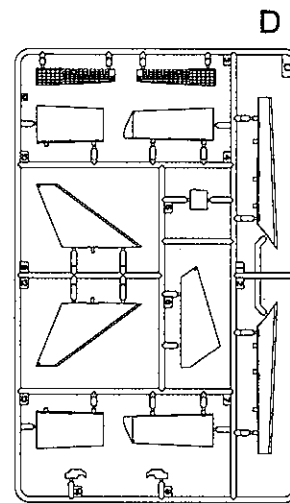
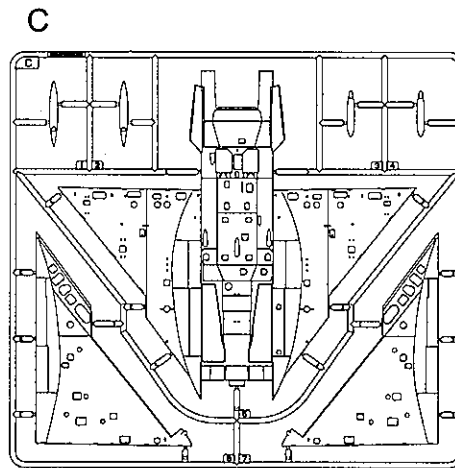
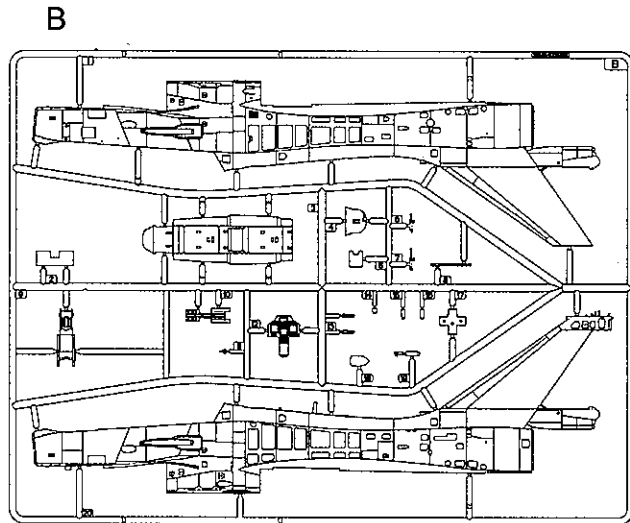
### DECAL APPLICATION:

1. Cut decals from sheet as needed
2. Dip the decal in warm water for about 10 seconds and then place on soft clean cloth.
3. Hold the decal backing sheet edge and gently slide the decal onto the model in its proper position.

4. While still wet,decal can be adjusted for better fit on model by dampening it gently with your finger.
5. When placed in the proper position,gently press decal down with a soft cloth until excess water and air bubbles are gone.
6. Allow decal to dry completely before handling model

			
cyanoacrylate glue 使用强力胶	weight 配重	make hole 钻孔	cut / remove 切除
			
option 选择	no cement 不涂胶水	decal 贴纸	bend 弯曲
			
			file / sand 锉平

部品图  
Parts



《蚀刻片》  
Photo etched part (PE)

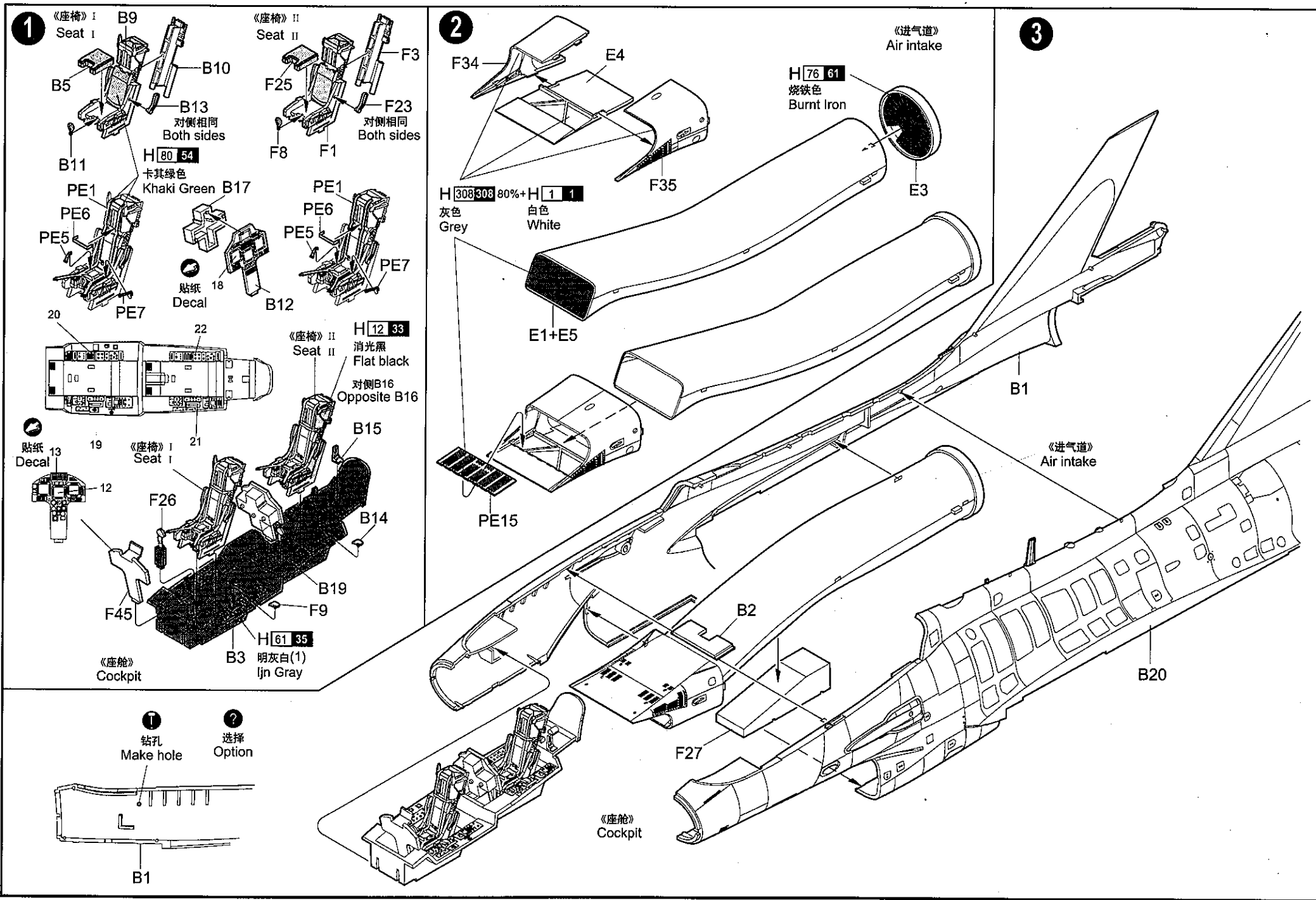


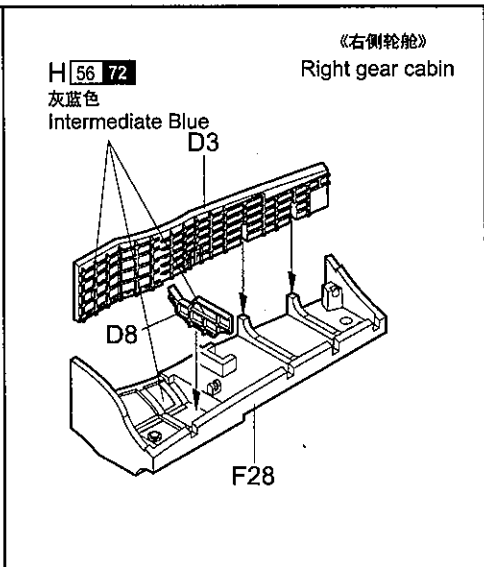
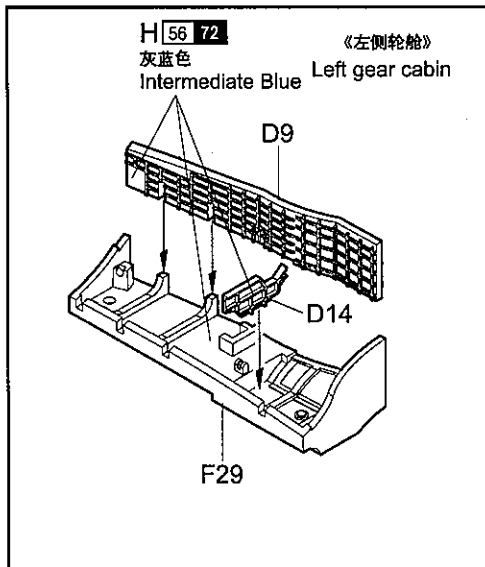
《水贴》A  
Decal A



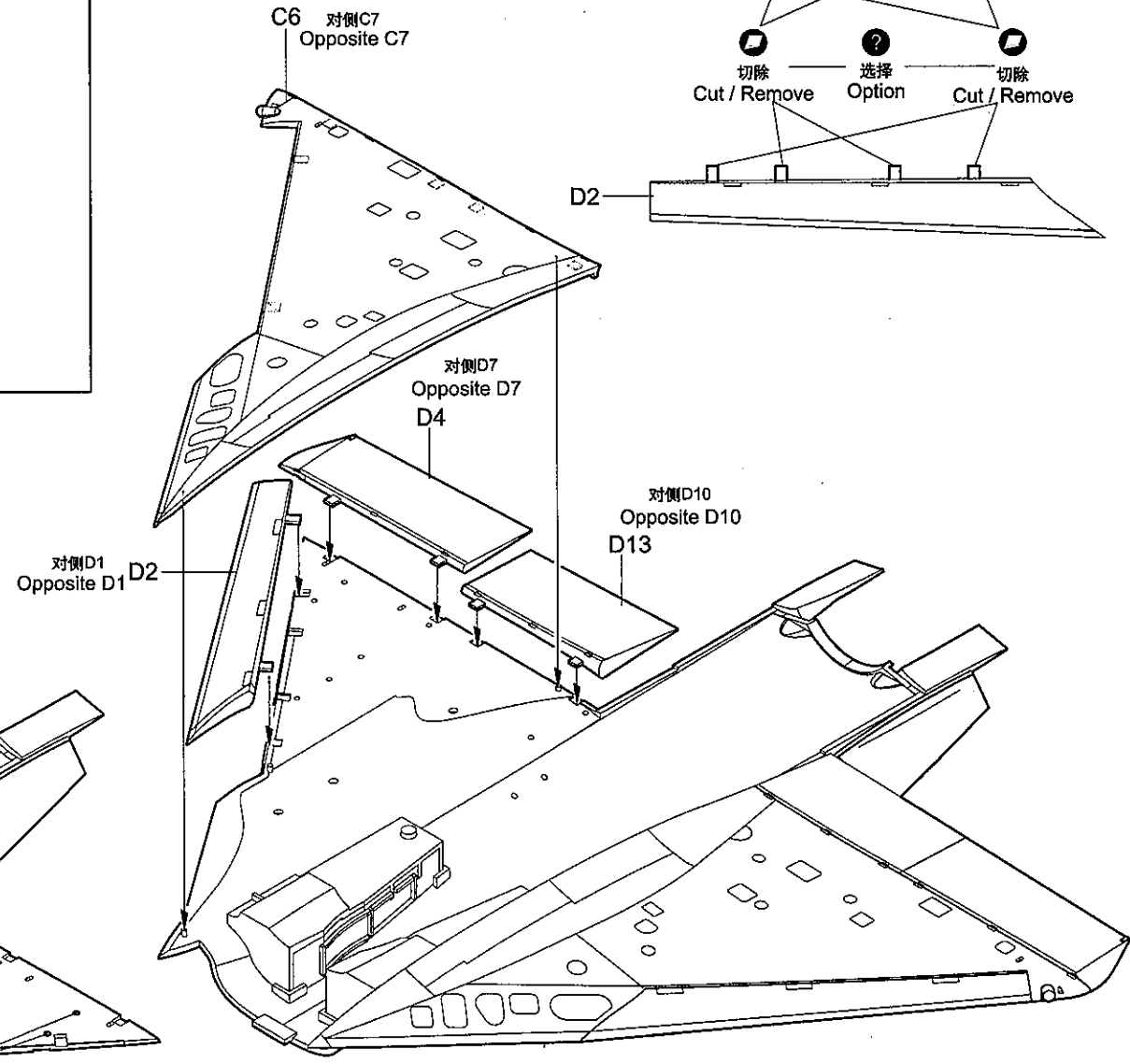
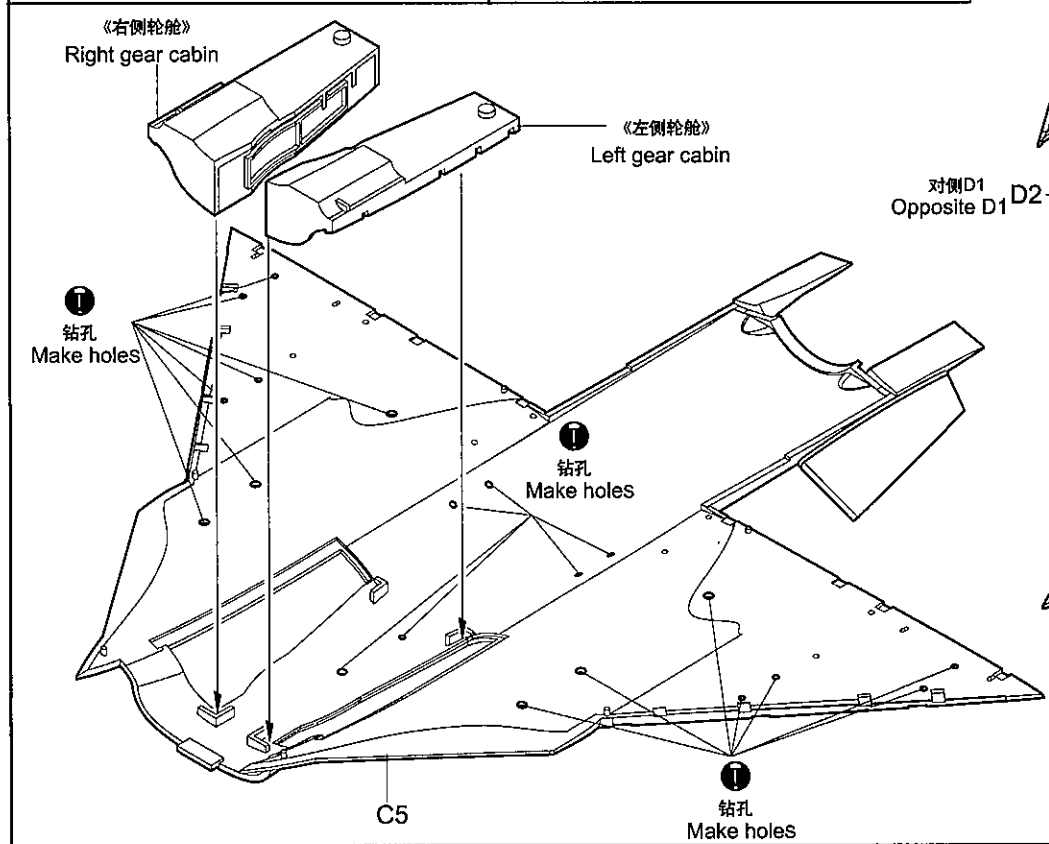
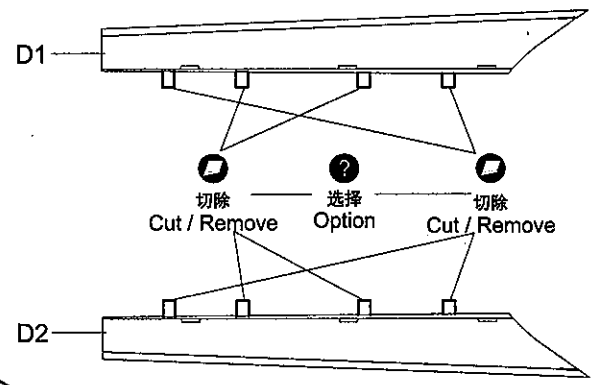
《水贴》B  
Decal B







4



5

H 12 33  
消光黑  
Flat black

J10

F47

F46

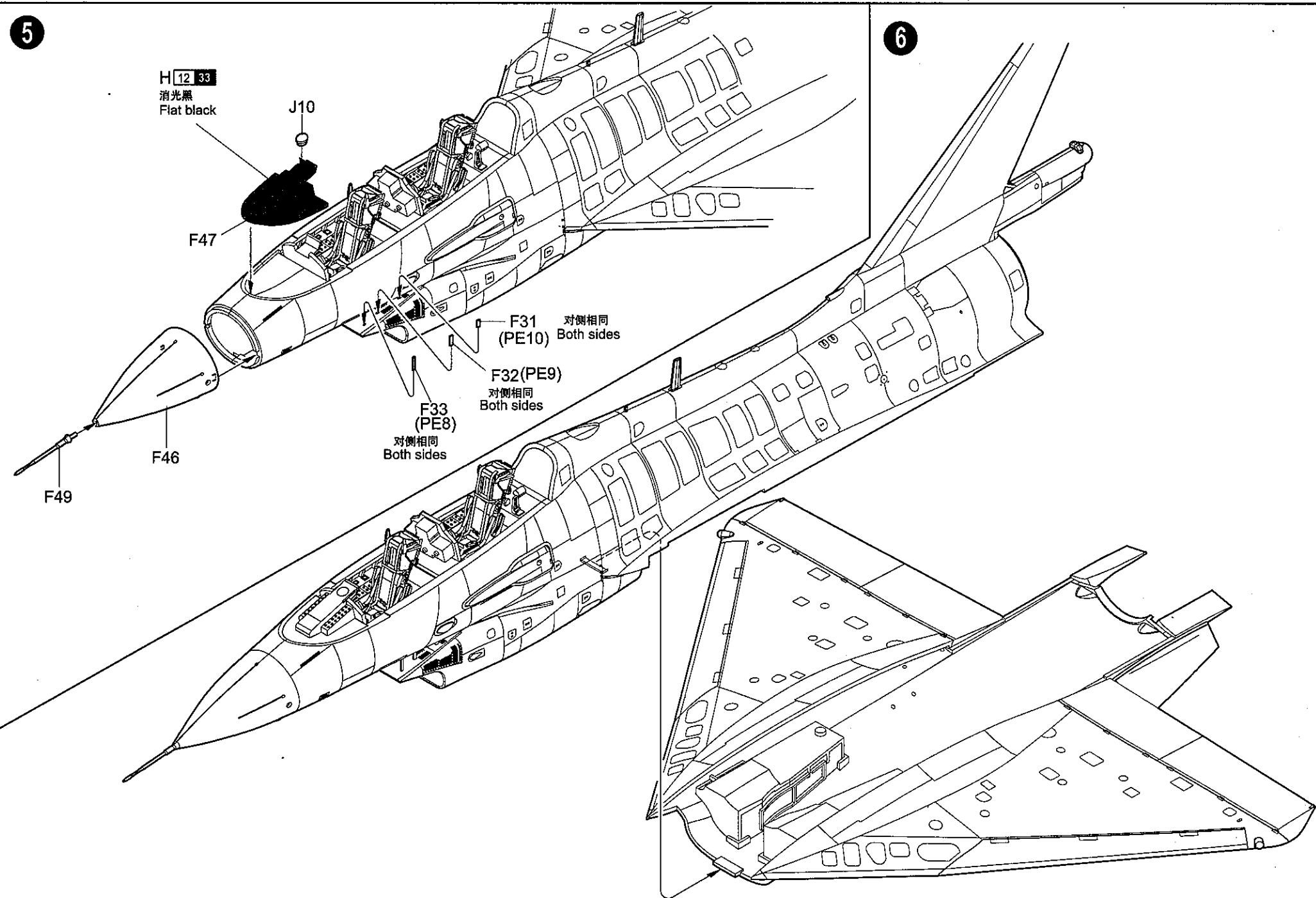
F49

F31  
(PE10)  
对侧相同  
Both sides

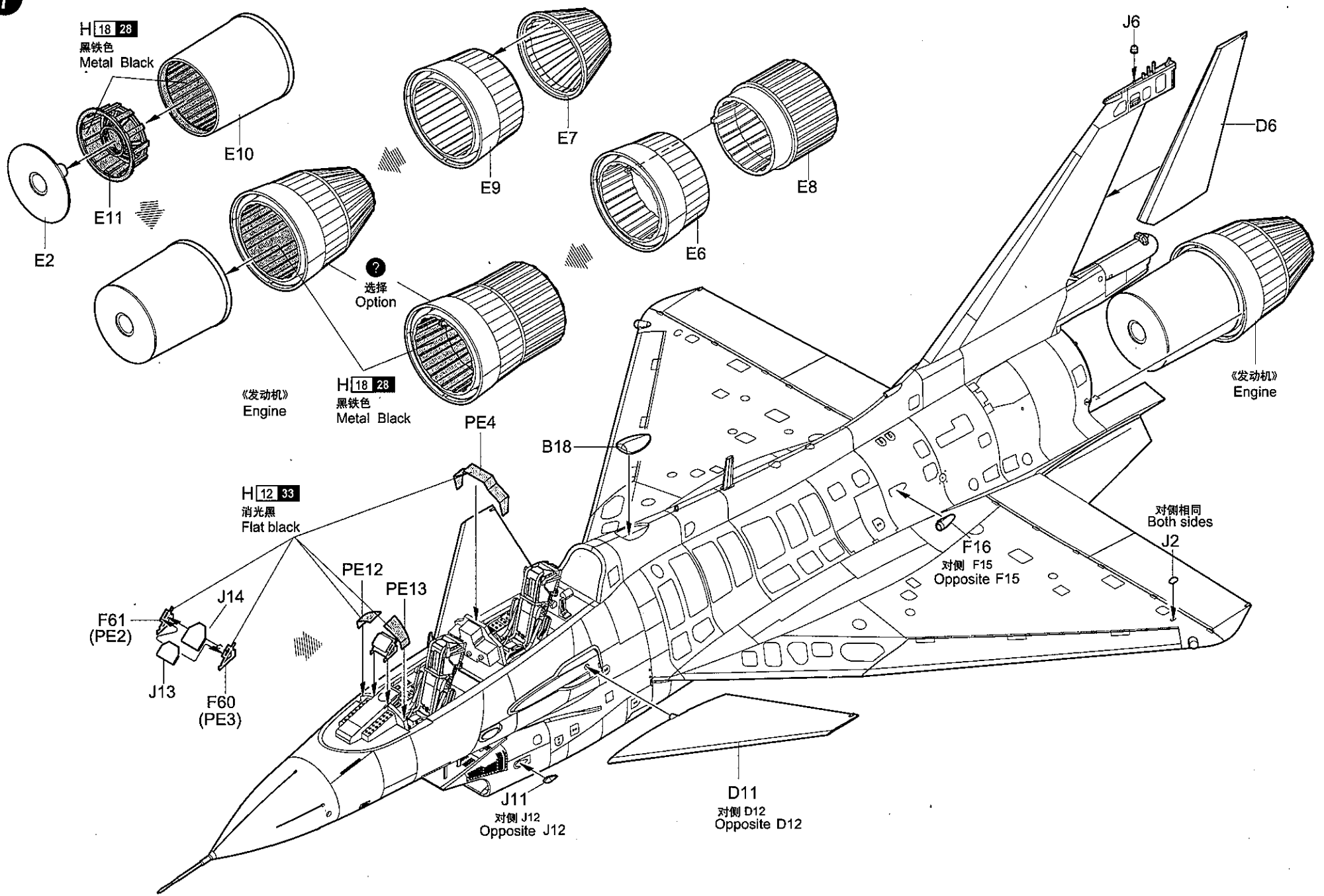
F32(PE9)  
对侧相同  
Both sides

F33  
(PE8)  
对侧相同  
Both sides

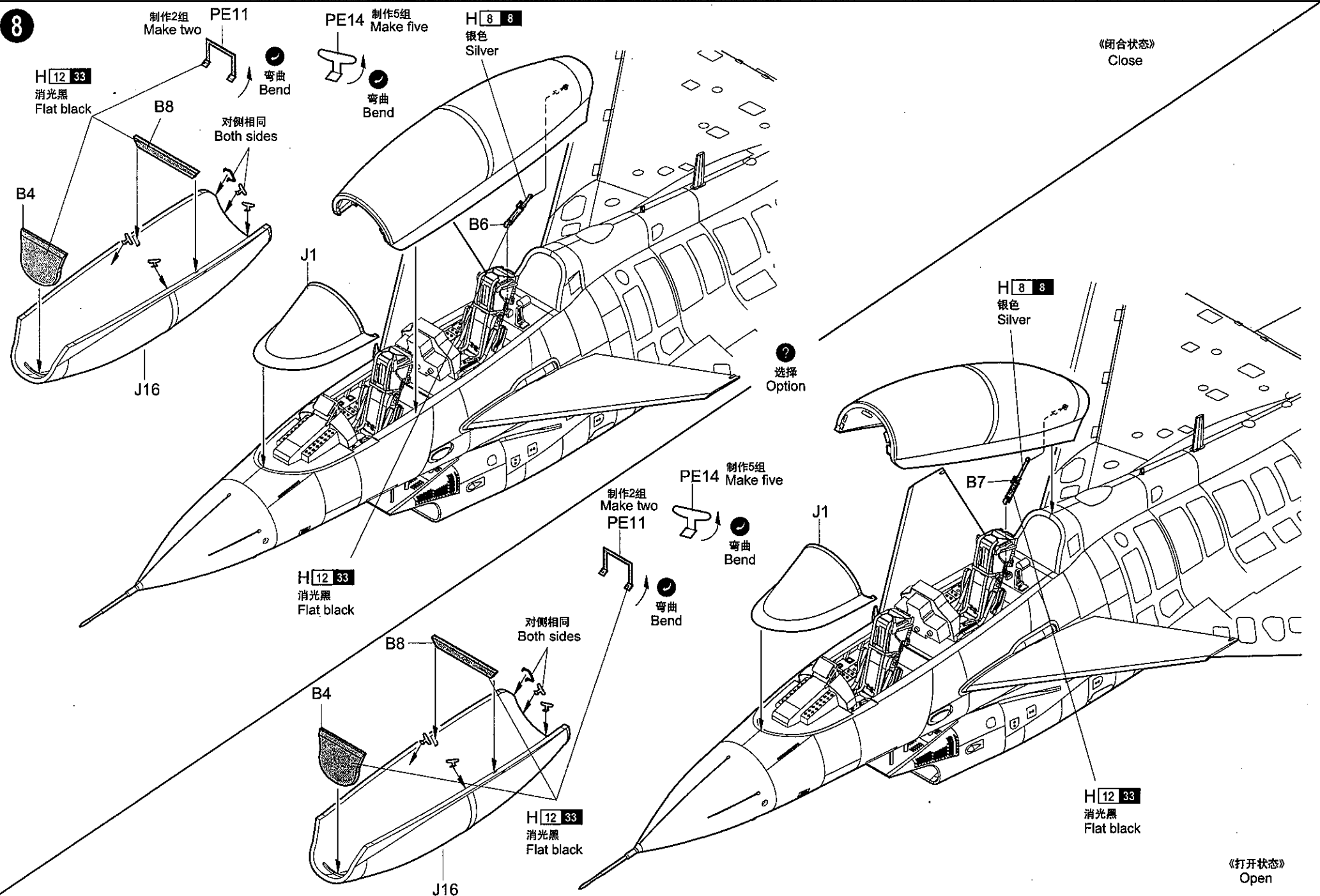
6

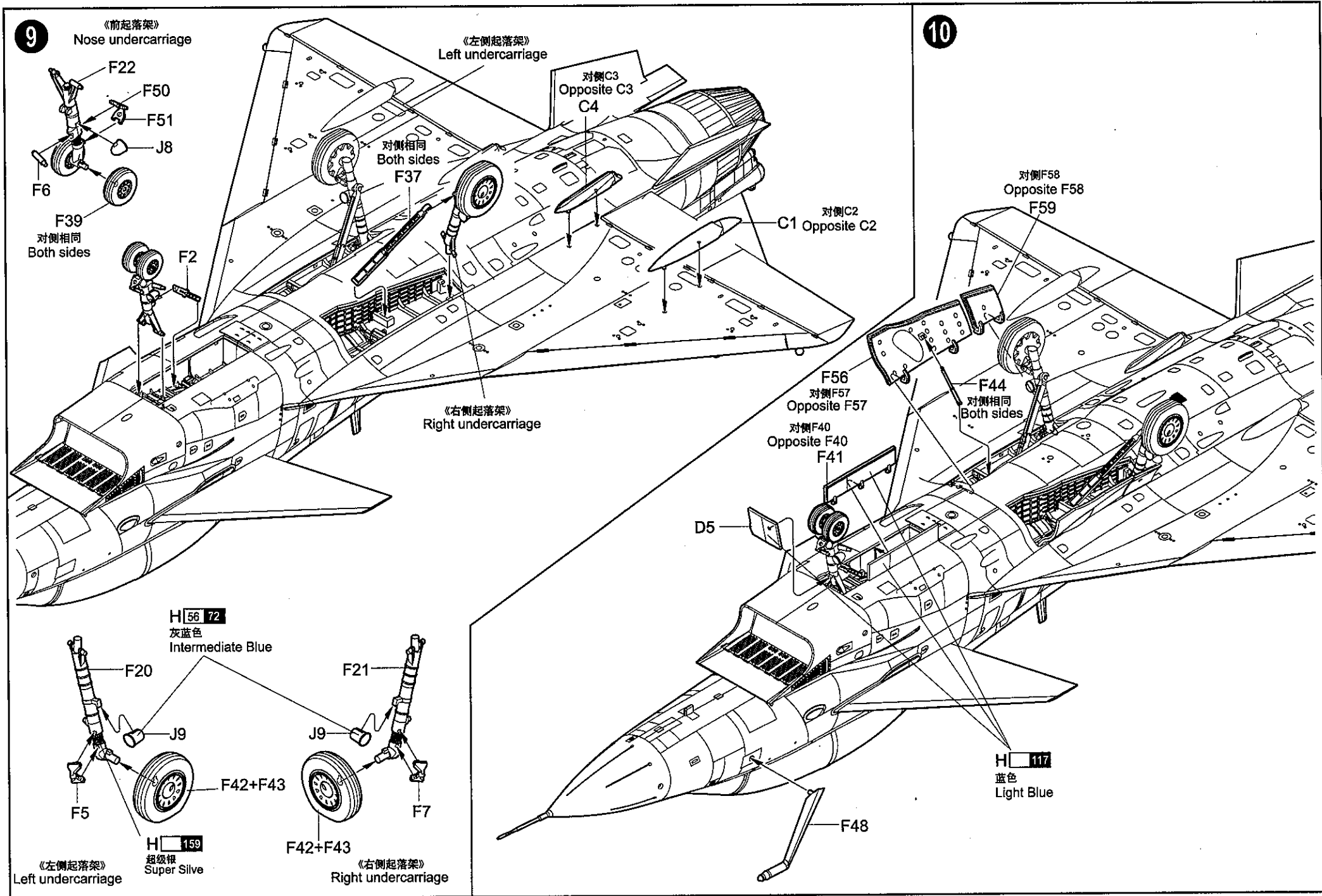


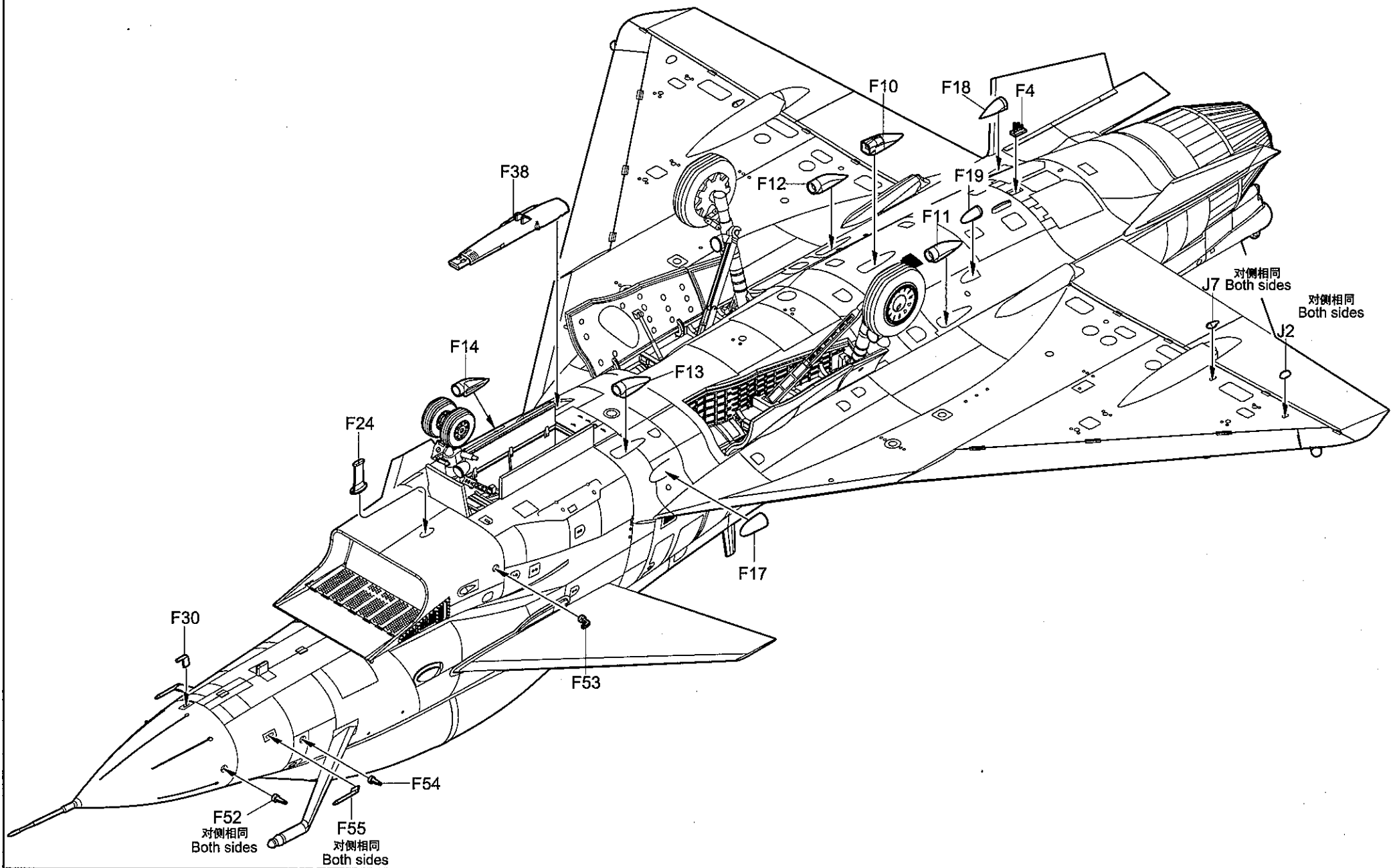
7



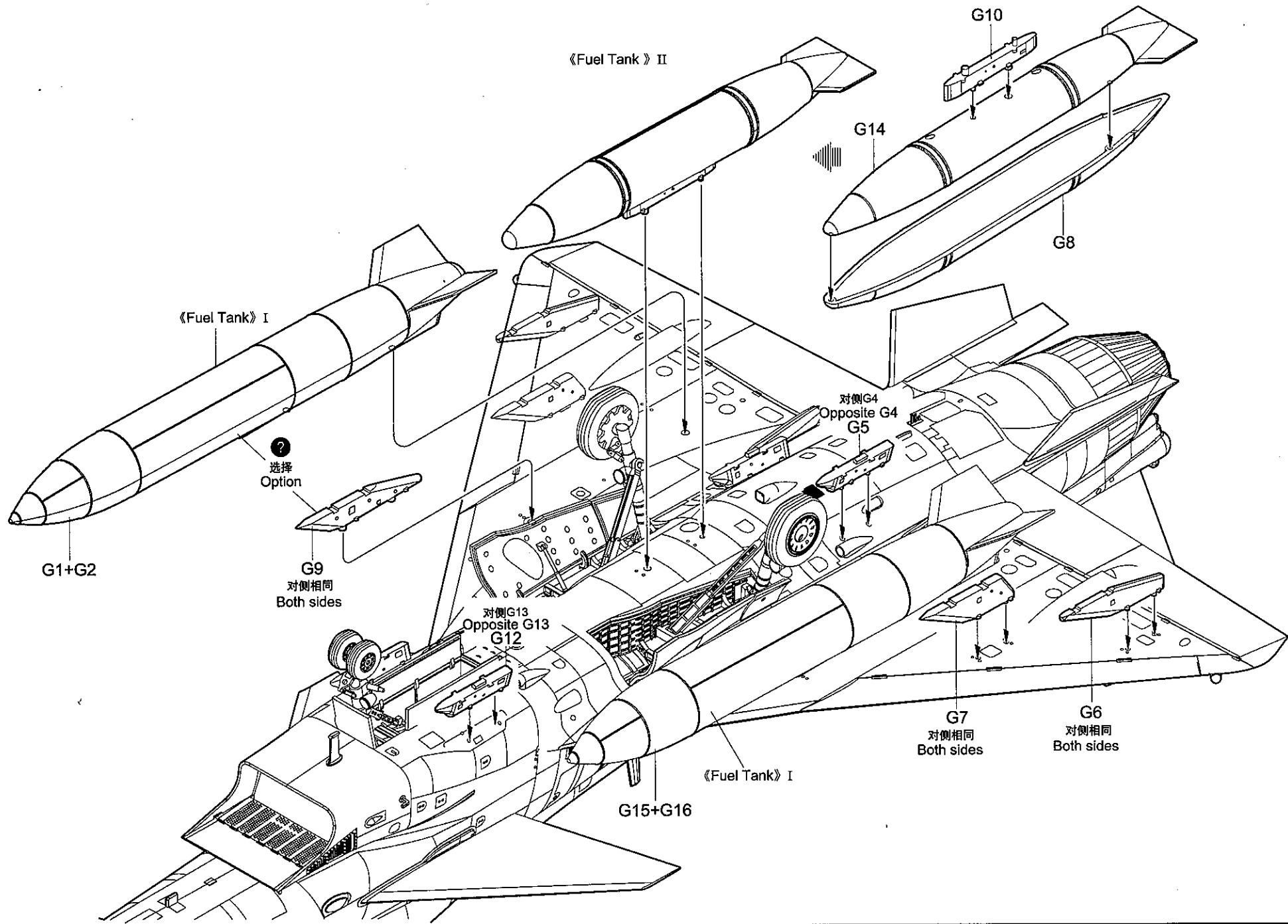
8



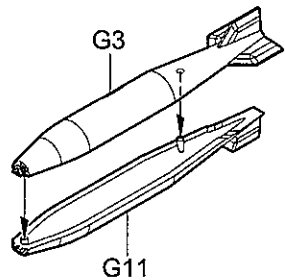




《Fuel Tank》 II

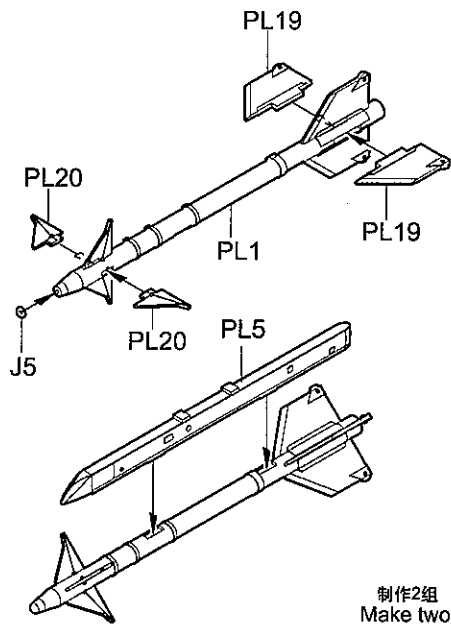


《250-3》



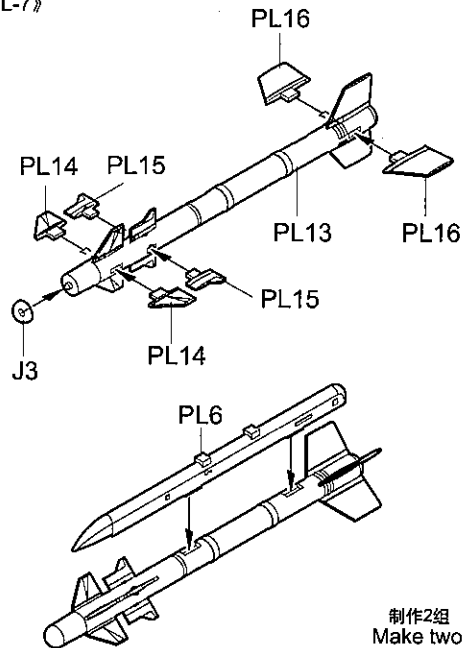
制作4组  
Make four

《PL-5》



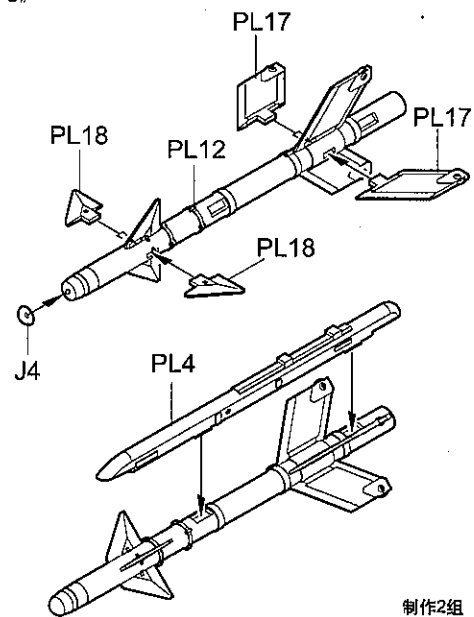
制作2组  
Make two

《PL-7》



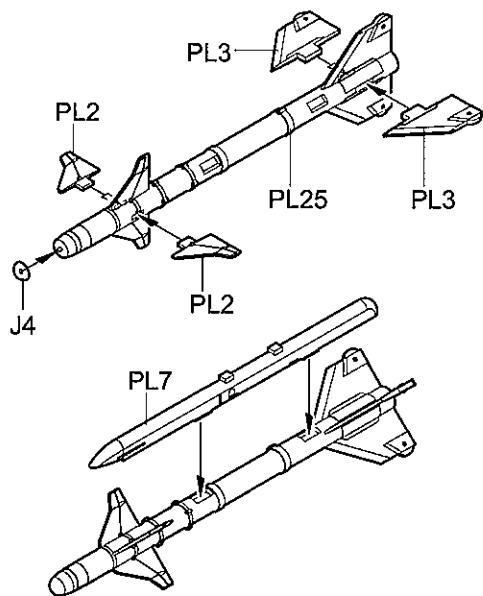
制作2组  
Make two

《PL-8》



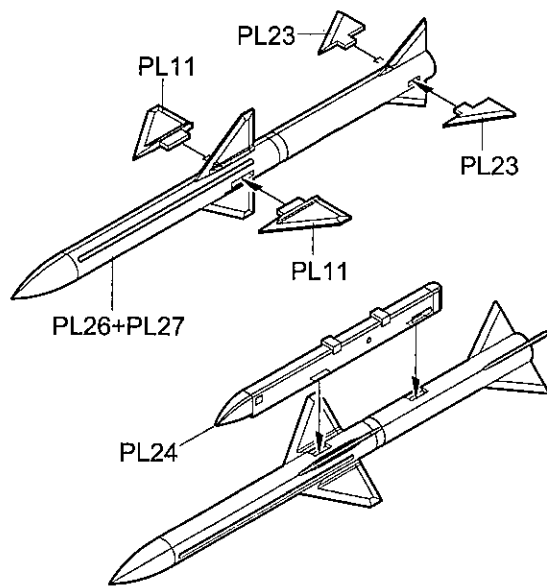
制作2组  
Make two

《PL-9》



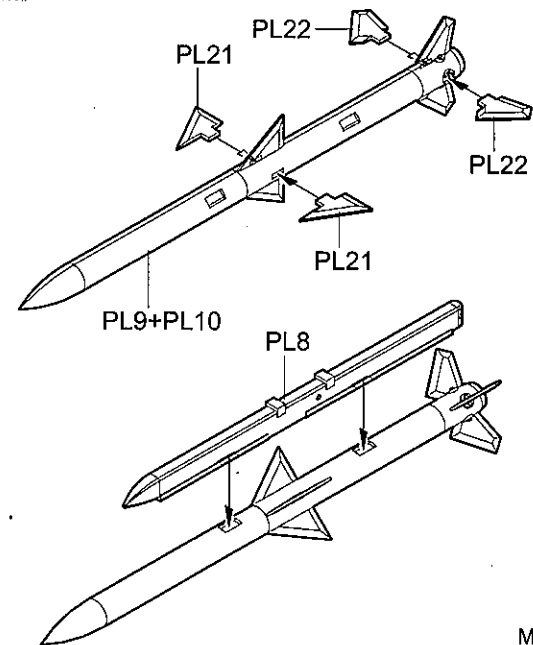
制作2组  
Make two

《PL-11》

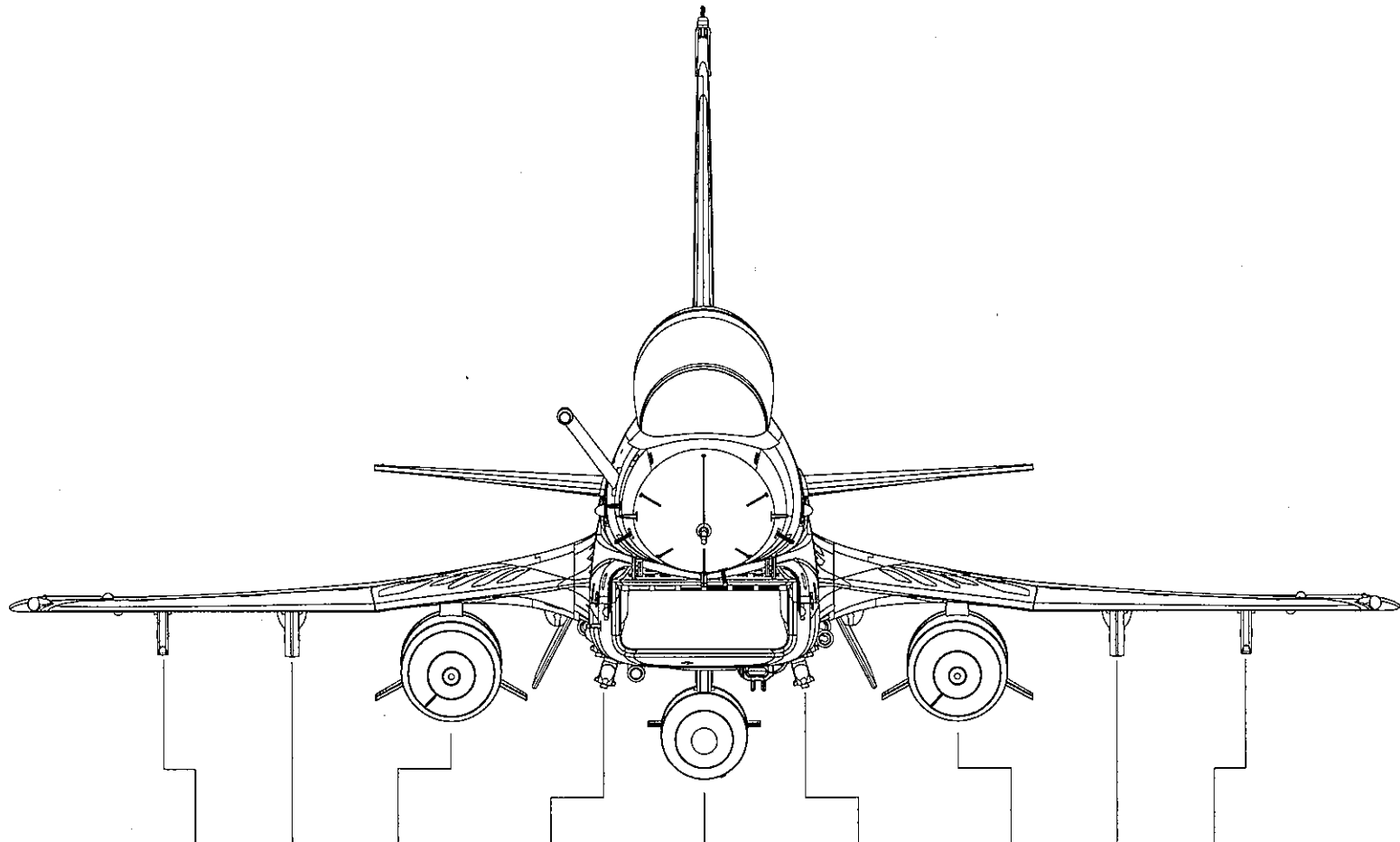


制作2组  
Make two

《PL-12》



制作2组  
Make two



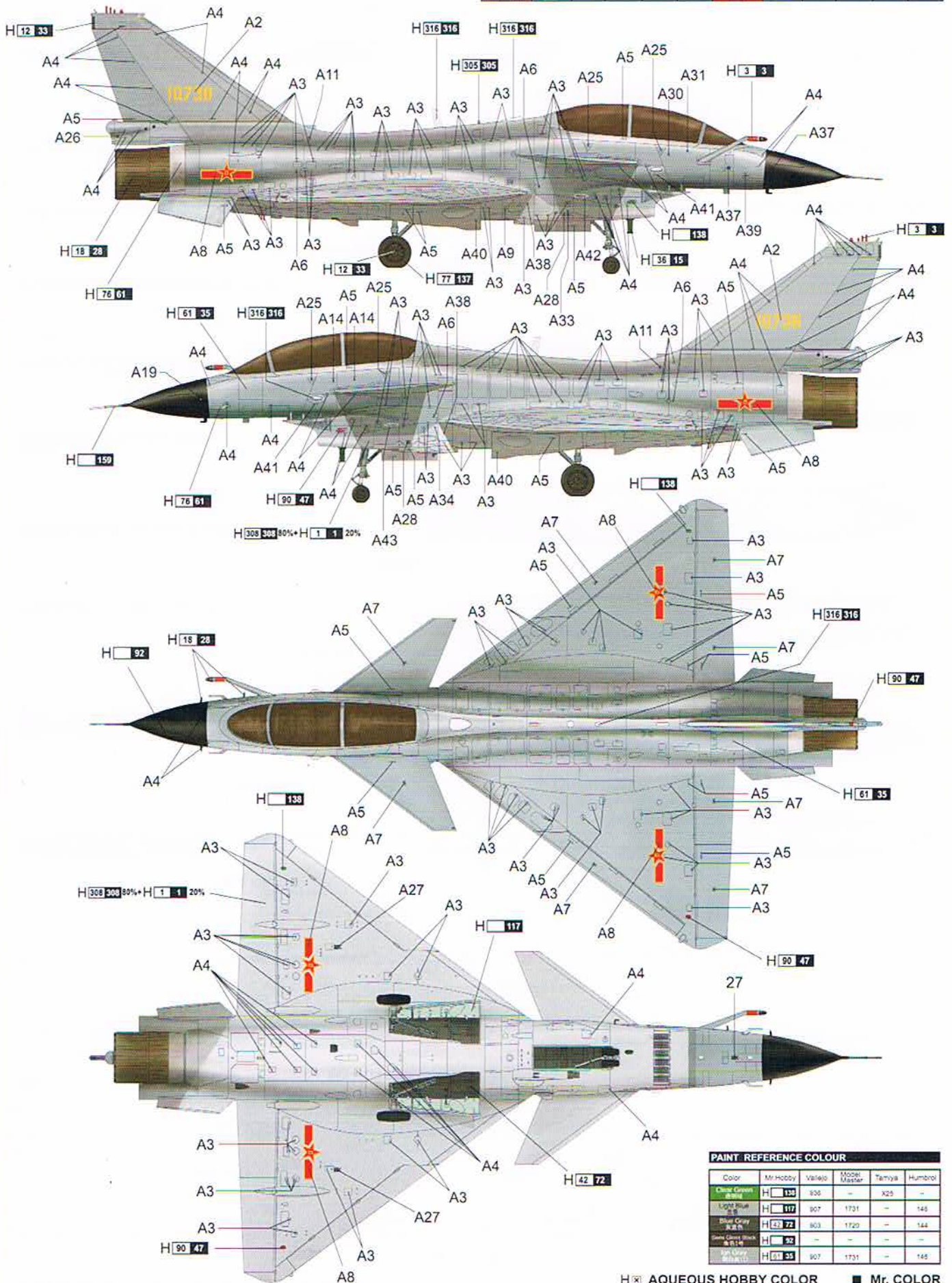
Sta.No.	1	2	3	Front	Back	4	Front	Back	5	6	7
Missile/Tank											
250-3				●	●		●	●			
PL-5	●										●
PL-7	●										●
PL-8	●										●
PL-9	●										●
PL-11		●	●						●	●	
PL-12		●	●						●	●	
Fuel Tank I			●						●		
Fuel Tank II						●					

# 涂装同标贴指示

## Painting & Marking guide

PAINT REFERENCE COLOUR

Color	Mr.Hobby	Vallejo	Model Master	Tamiya	Humbrol	Color	Mr.Hobby	Vallejo	Model Master	Tamiya	Humbrol
White 白	H 1 1	842	1745	X2	22	The Black 黑	H 37 137	-	-	-	-
Red 红	H 3 3	908	1603	X7	19	White Insigra 白	H 313 313	991	1745	X2	22
Dark Green 深绿	H 15 28	864	1402	-	-	Super Silver 银	H 305 305	868	1723	XF58	125
Dark Green 深绿	H 35 15	892	-	XF11	75	Charcoal 黑	H 159	-	-	-	-
Warm Grey 灰	H 76 61	863	1705	X10	53	Charcoal 黑	H 90 47	934	-	X27	-



PAINT REFERENCE COLOUR

Color	Mr.Hobby	Vallejo	Model Master	Tamiya	Humbrol
Clear Green 绿	H 135	936	-	X25	-
Light Blue 蓝	H 117	907	1731	-	146
Blue Grey 灰	H 127 72	863	1729	-	144
Dark Green 深绿	H 92	-	-	-	-
Dark Grey 灰	H 11 35	907	1731	-	146

H [ ] AQUEOUS HOBBY COLOR    ■ Mr. COLOR

# 涂装同标贴指示

## Painting & Marking guide

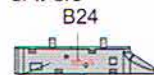
### PAINT REFERENCE COLOUR

Color	Mr.Hobby	Vallejo	Model Master	Tamiya	Humbrol	Color	Mr.Hobby	Vallejo	Model Master	Tamiya	Humbrol
White 白	H [28 101]	842	1745	XF2	22	Smoke Blue 烟色蓝	H [28 101]	—	—	—	—
Burn Iron 锈色	H [76 61]	863	1795	XF10	53	White 白	H [316 316]	991	1745	X2	22
Gray 灰	H [308 308]	990	1728	XF19	127	Olive Drab 橄榄绿	H [304 304]	887	1711	XF62	155

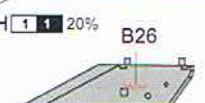
#### G12/G13



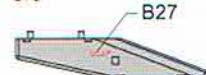
#### G4/G5



#### G7



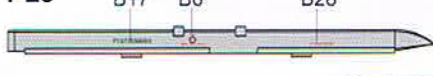
#### G6



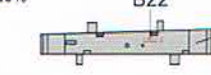
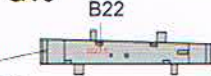
#### G9



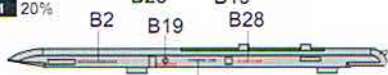
#### PL8



#### G10



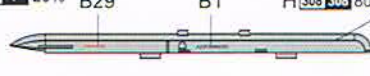
#### PL4



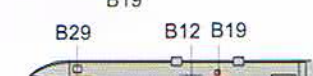
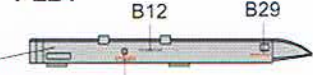
#### PL5



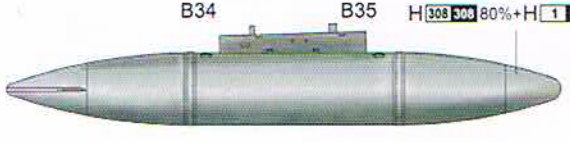
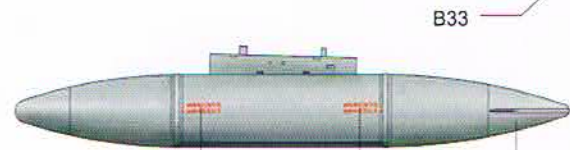
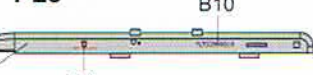
#### PL7



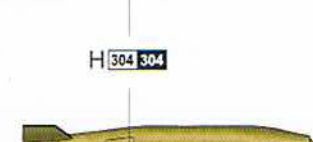
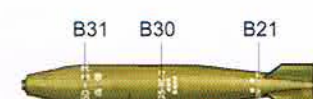
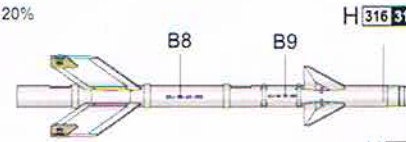
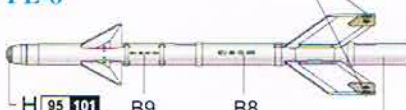
#### PL24



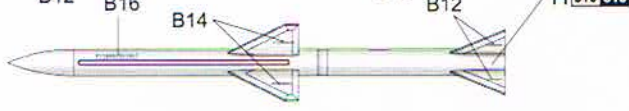
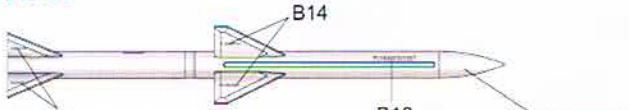
#### PL6



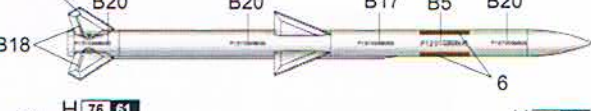
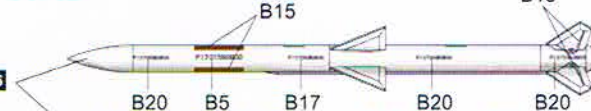
#### PL-8



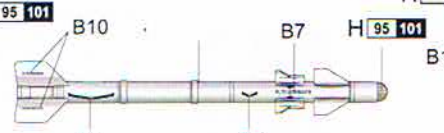
#### PL-11



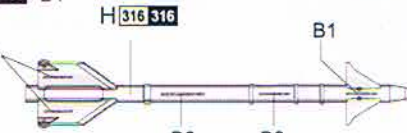
#### PL-12



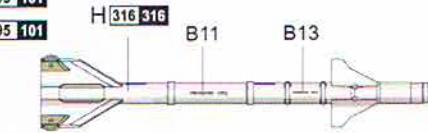
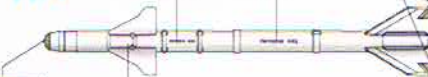
#### PL-7



#### PL-5



#### PL-9



□ AQUEOUS HOBBY COLOR ■ Mr. COLOR