

1/32 SCALE

ITEM NO.:03203

F-14D Super Tomcat

F-14D “超级雄猫”



READ BEFORE ASSEMBLY:

- Study and understand these instructions thoroughly before beginning assembly
- When needed, remove photo-etch parts carefully using a modeling knife or photo etch sprue cutter, being careful not to damage or lose small parts.
- Take extra care in handling photo etch parts in order to avoid injury
- Apply instant cement sparingly to photo etch parts where instructed

- Tools recommended(not included in kit):Plastic and instant cements,sprue cutters,long nose pliers,modeling knife, small files, tweezers, pin vise & scissors. Soft cloth and sandpaper will also assist in construction
- Glue and paint are not included in the kit. Use plastic cement and hobby paints only. Color guide for purchasing paint is included in the kit.

装配之前仔细阅读

- 小心用模型锉刀锉平所有零件表面的注射浇口。
- 小心用刀片切下蚀刻片零件，不要遗失小零件。
- 用强力快干胶水粘合蚀刻片零件和金属轴。过量的快干胶水使用可能导致可动零件会粘住，小心涂胶。
- 取蚀刻片时应特别注意安全，防止利边划伤手指。
- 某些零件表面需贴水上贴纸，请选择在装配的同时进行。
- 推荐模型工具(自备)：胶水，水口剪刀，长咀钳，刀片，锉刀，镊子钳，钻，剪刀，瞬间快干胶。
- 软布同砂纸同时也应该是必备工具。
- 请使用塑料胶水和油漆，模型内不含。

水贴纸的使用:

1. 从水贴上剪下印花;
2. 将印花放入温水中浸10秒, 然后放在干净布上。
3. 拿着印花纸板将印花移到模型上;
4. 手指蘸水将印花移到适当的位置;
5. 用软布轻压印花直至水干, 气泡消失。

DECAL APPLICATION:

1. Cut decals from sheet as needed
2. Dip the decal in warm water for about 10 seconds and then place on soft clean cloth.
3. Hold the decal backing sheet edge and gently slide the decal onto the model in its proper position.

4. While still wet,decal can be adjusted for better fit on model by dampening it gently with your finger.
5. When placed in the proper position,gently press decal down with a soft cloth until excess water and air bubbles are gone.
6. Allow decal to dry completely before handling model



cyanoacrylate glue
使用强力胶



weight
配重



make hole
钻孔



cut / remove
切除



option
选择



no cement
不涂胶水



decal
贴纸



bend
弯曲

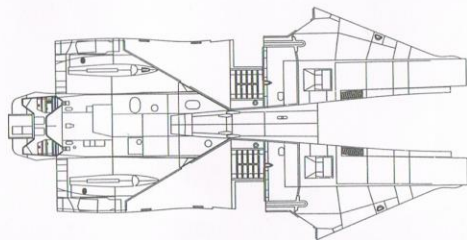


file / sand
锉平

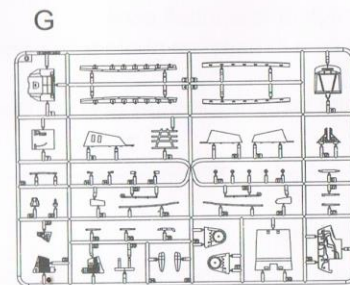
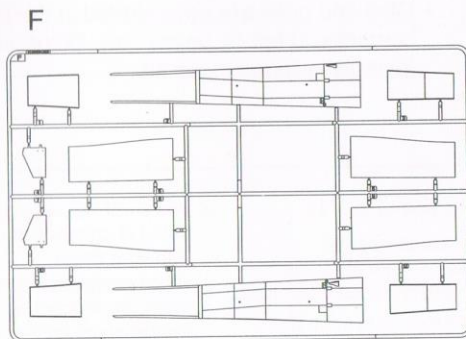
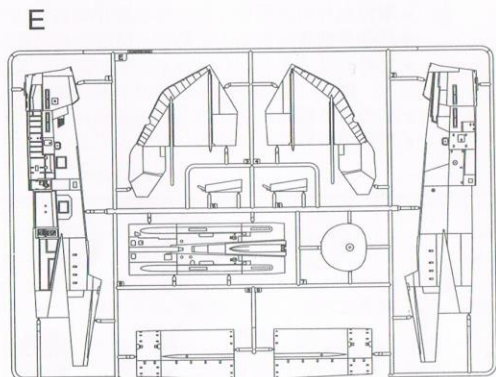
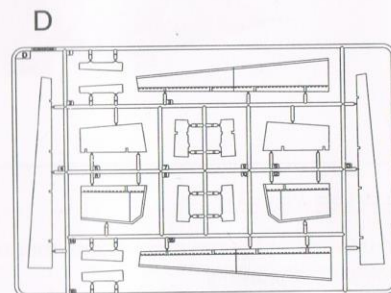
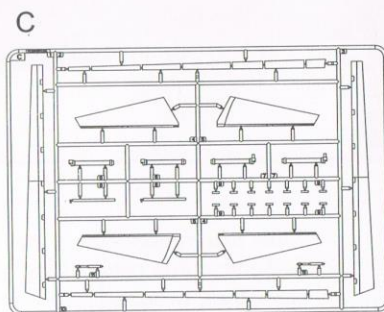
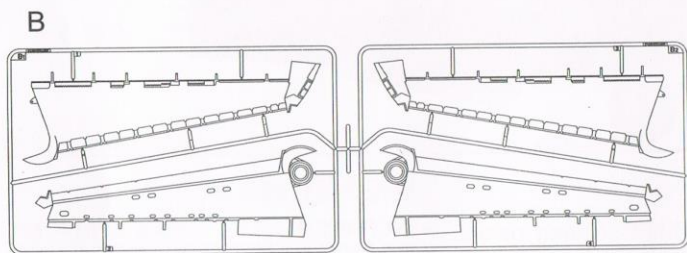
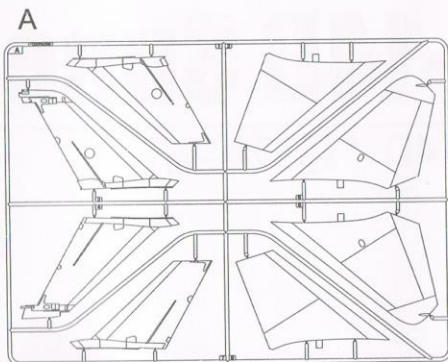
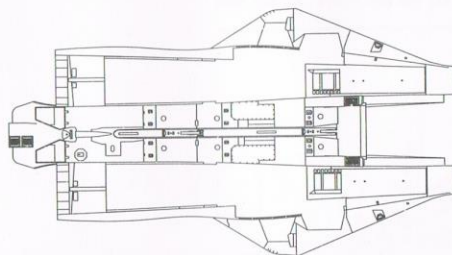
03203

部品图 Parts

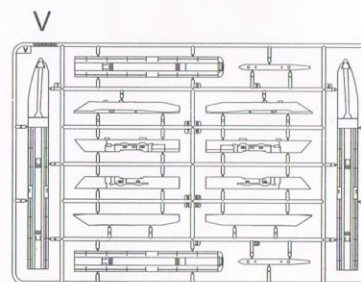
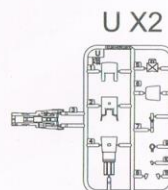
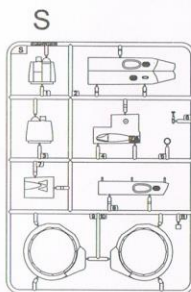
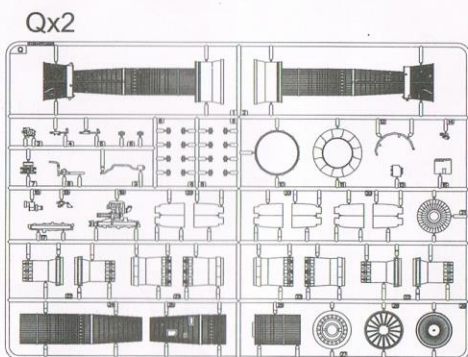
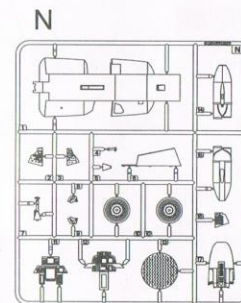
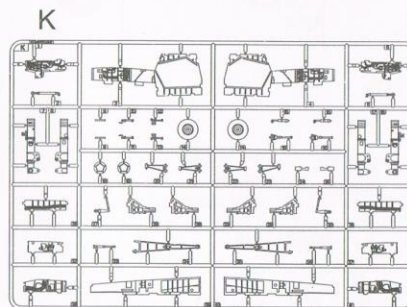
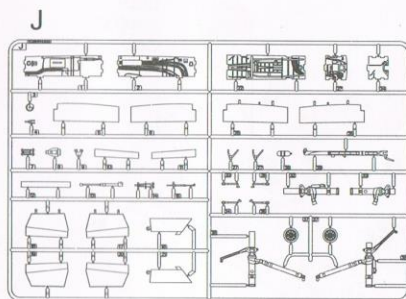
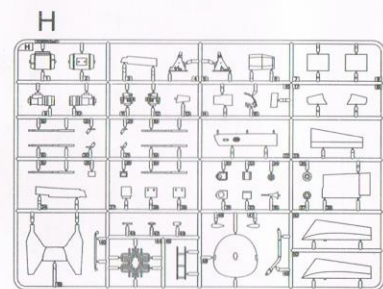
《上机身》
Upper fuselage



《下机身》
Lower fuselage



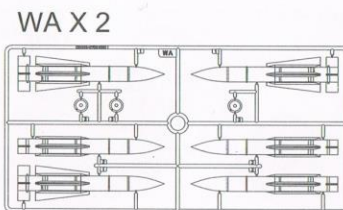
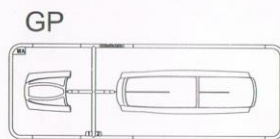
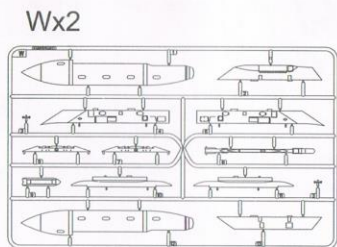
部品图 Parts



《主轮胎》X2
Main tyre



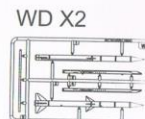
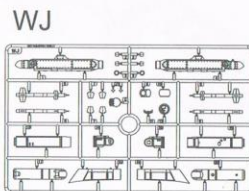
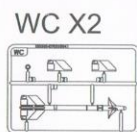
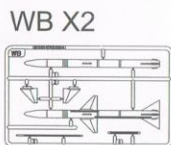
《前轮胎》X2
Nose tyre



《前合金起落架(长)》
Nose alloy undercarriage(Long)

《前合金起落架(短)》
Nose alloy undercarriage(short)

《主合金起落架》X2
Main alloy undercarriage



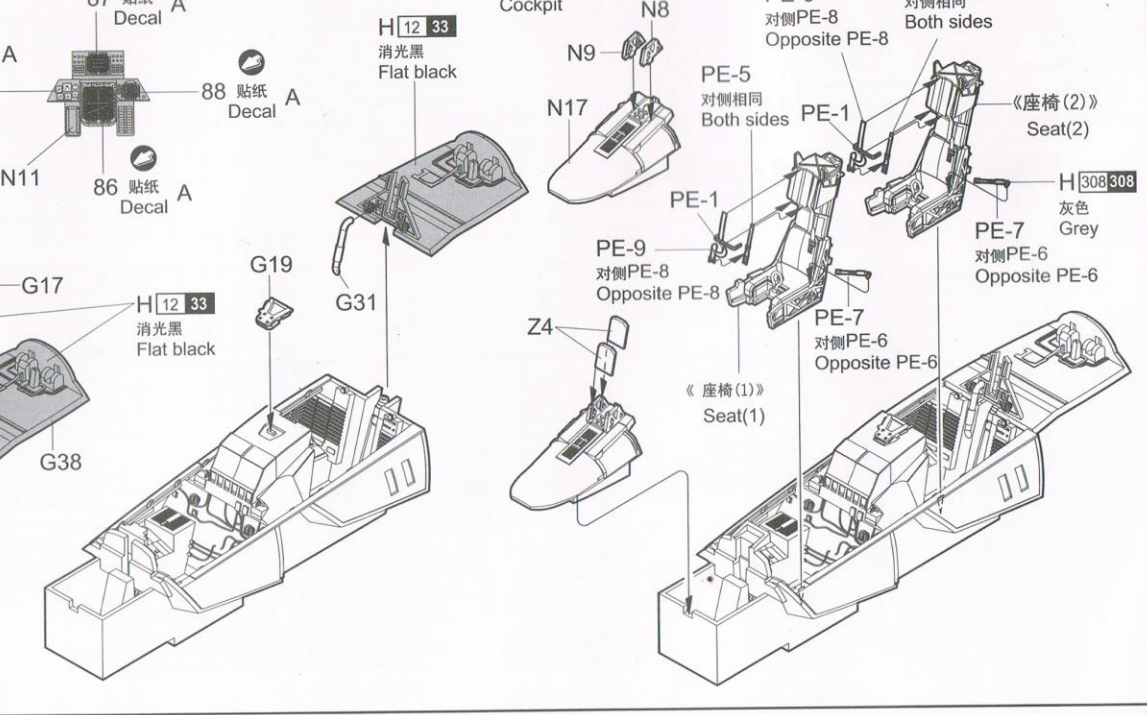
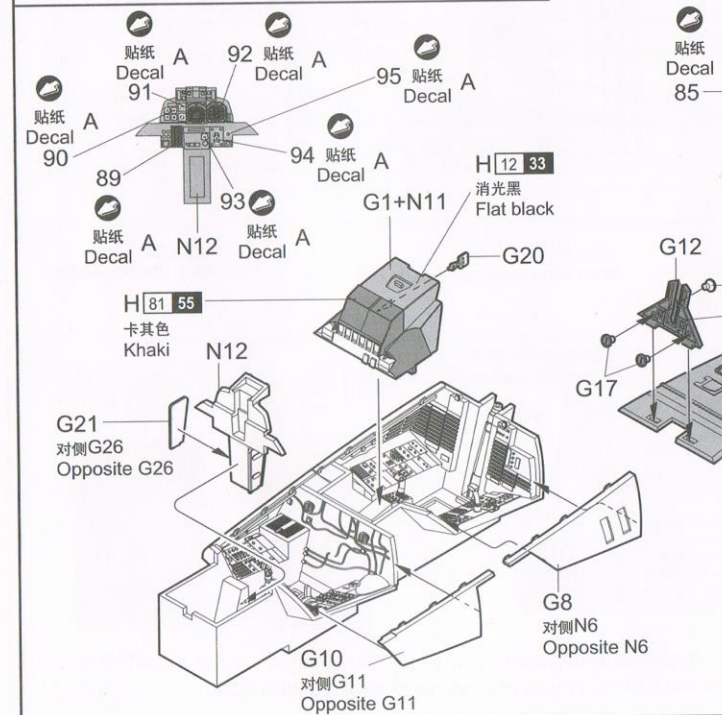
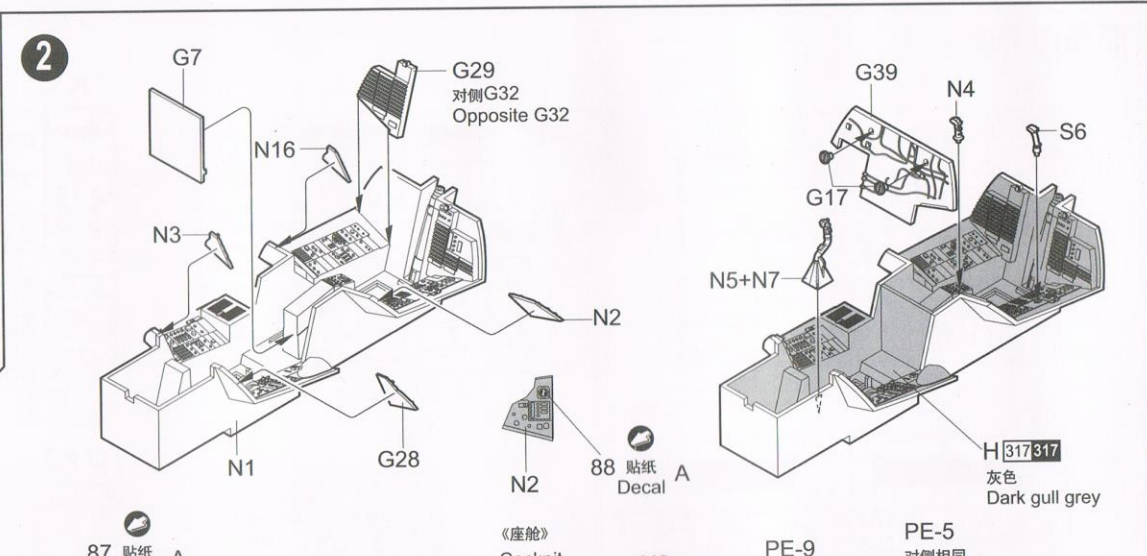
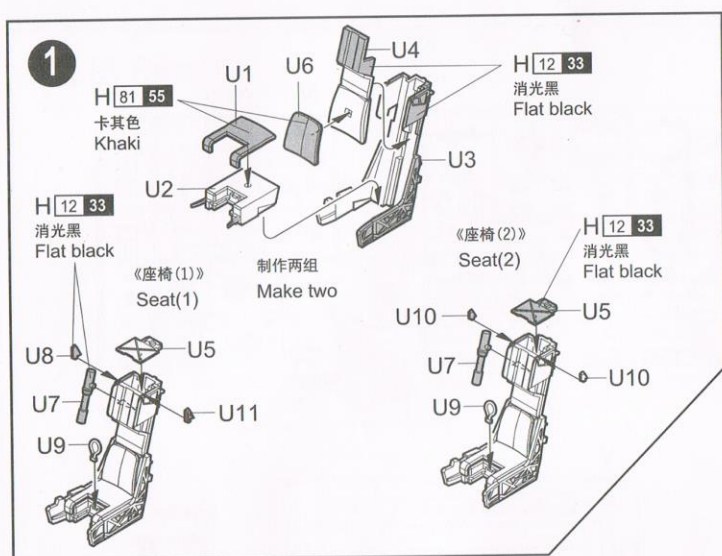
蚀刻片
Photo etched parts(PE)

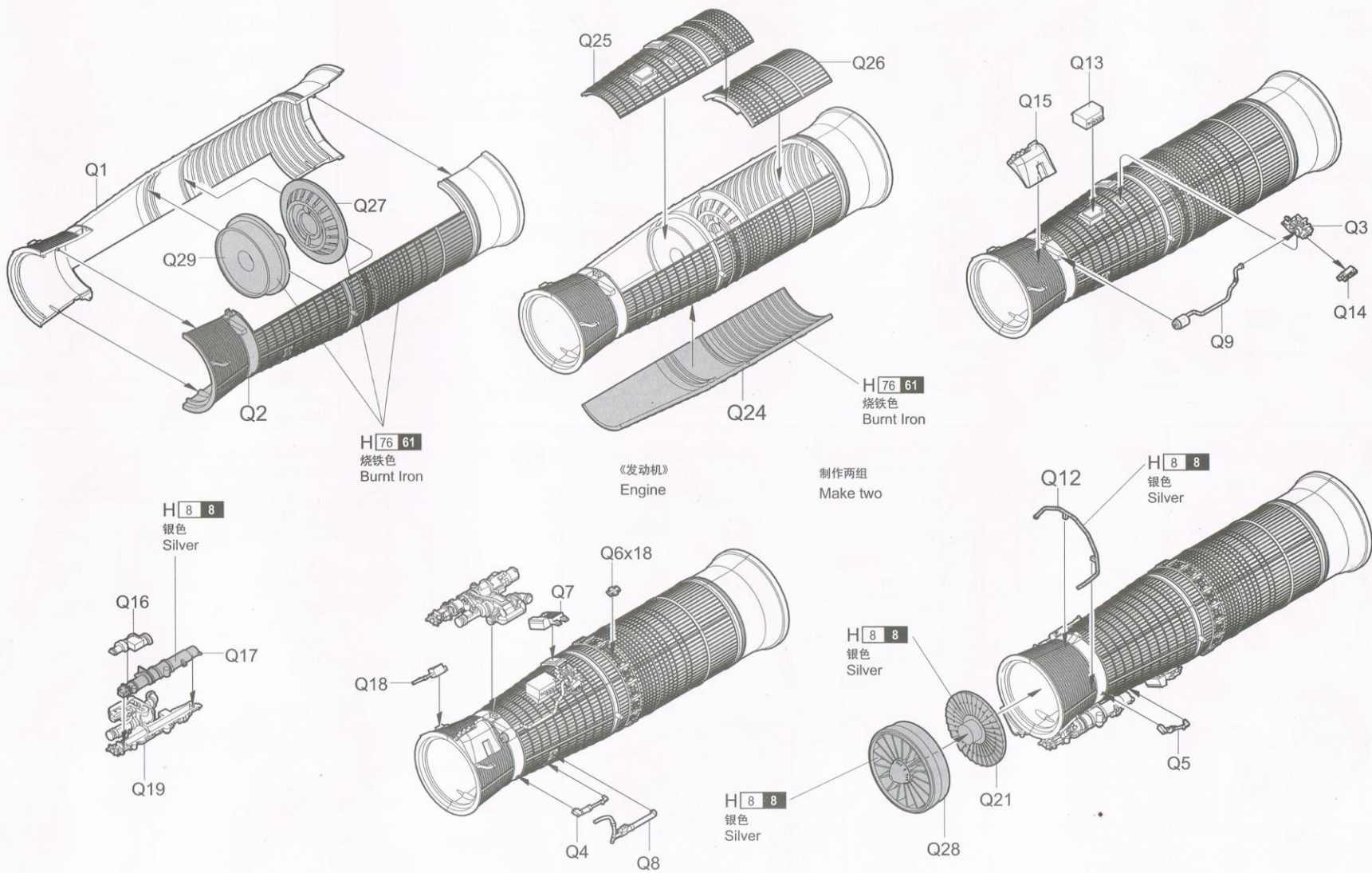
《水贴》A
Decal A

《水贴》B
Decal B



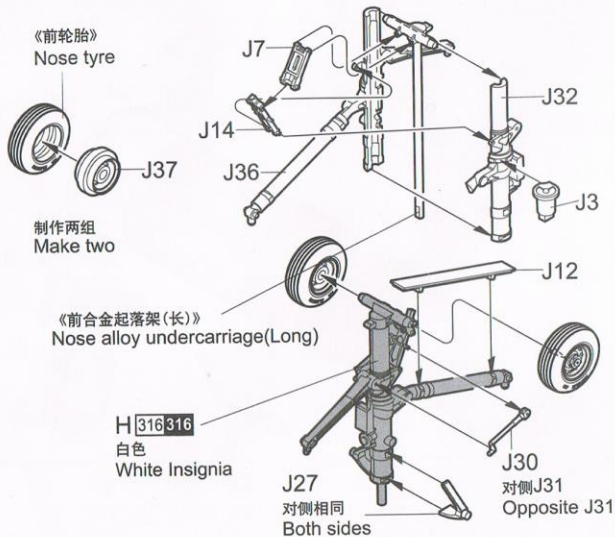
不用的部件: G34 G35 H46 H47 V7 V9 W3 W6 W7 X5 X7 X11 X12 X13 X14
Unused Parts WJ1 WJ4 WJ17 WJ18 WJ19 WJ20 WD3 WD4





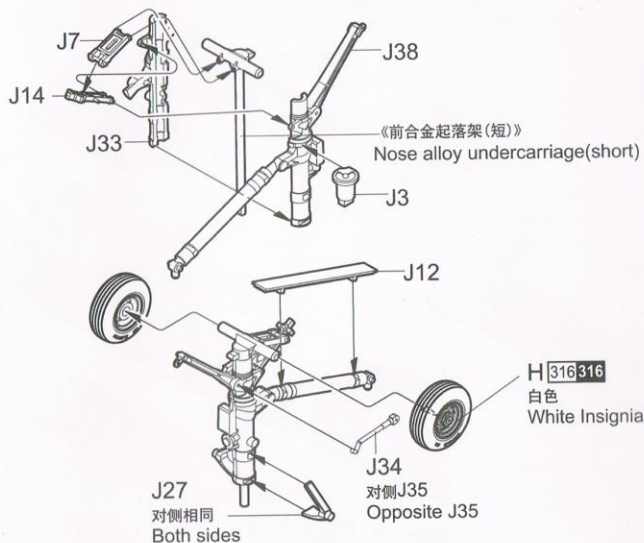
4

《前起落架》
Nose undercarriage



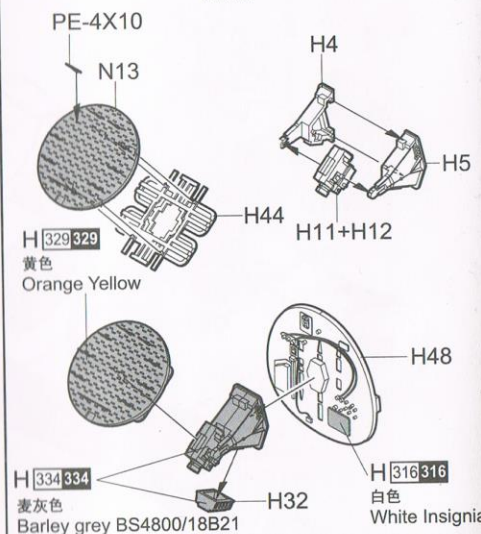
选择
Option

《前起落架》
Nose undercarriage



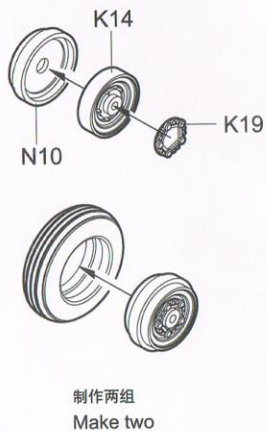
5

《雷达》
Radar



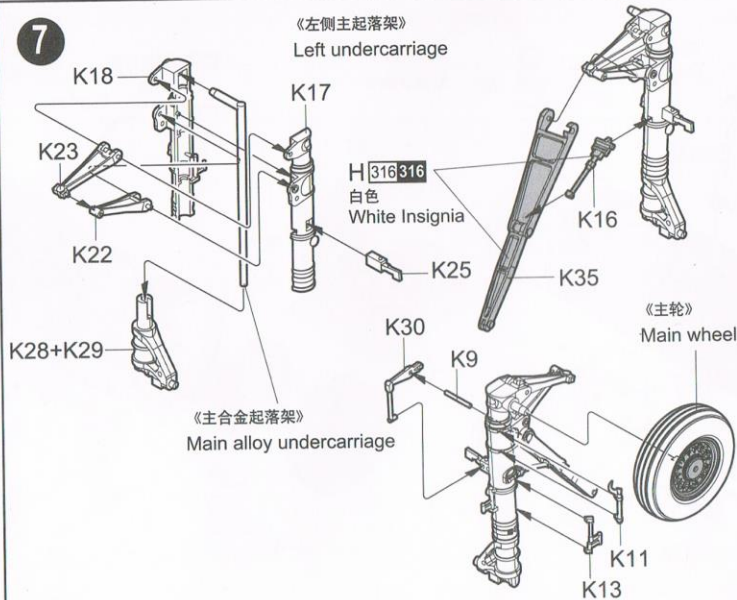
6

《主轮》
Main wheel



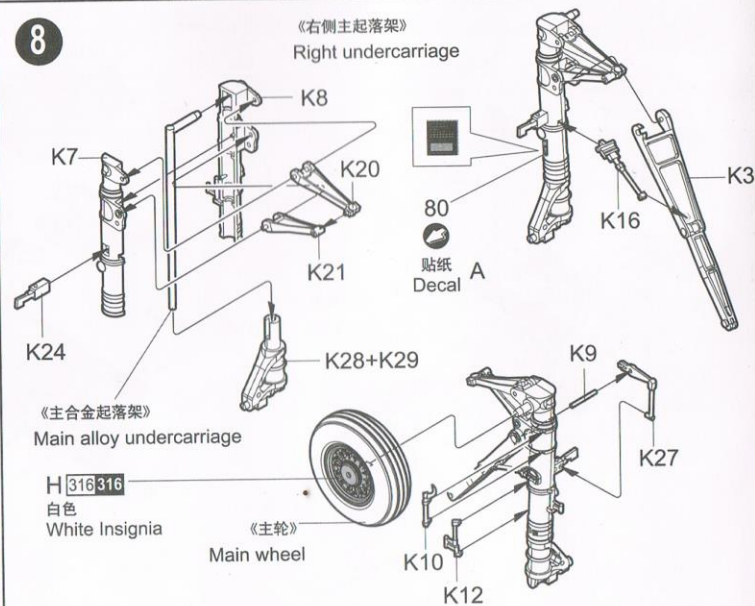
7

《左侧主起落架》
Left undercarriage

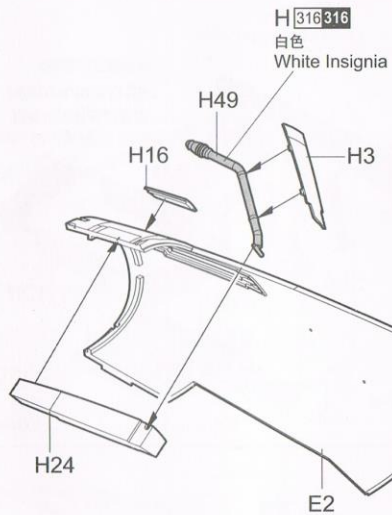


8

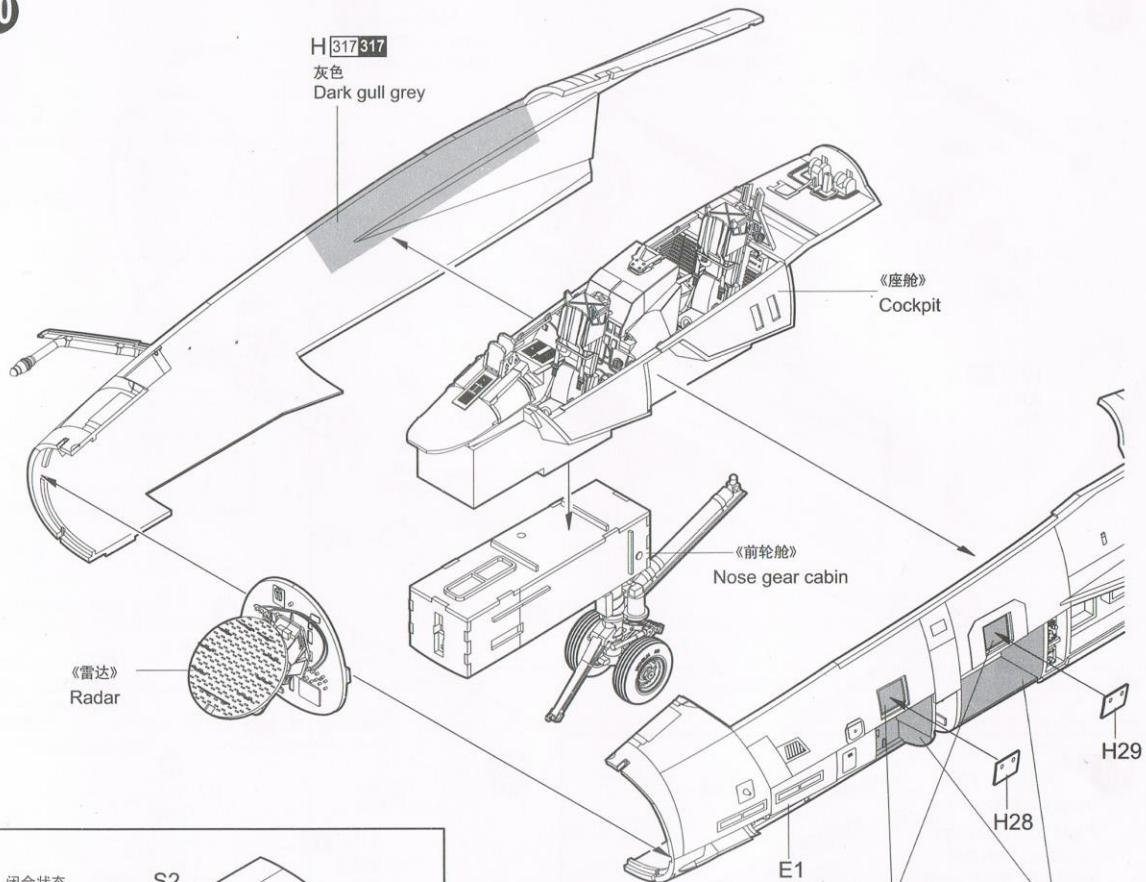
《右侧主起落架》
Right undercarriage



9



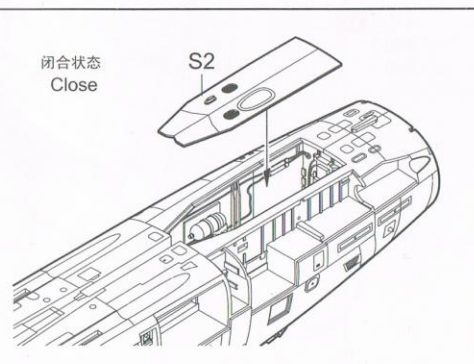
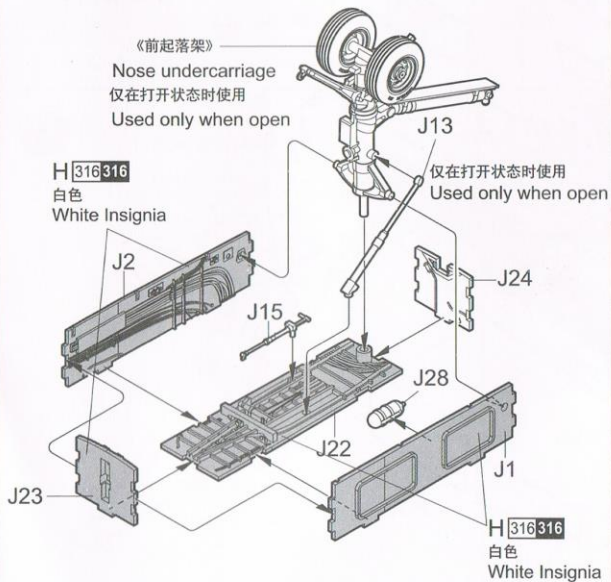
10



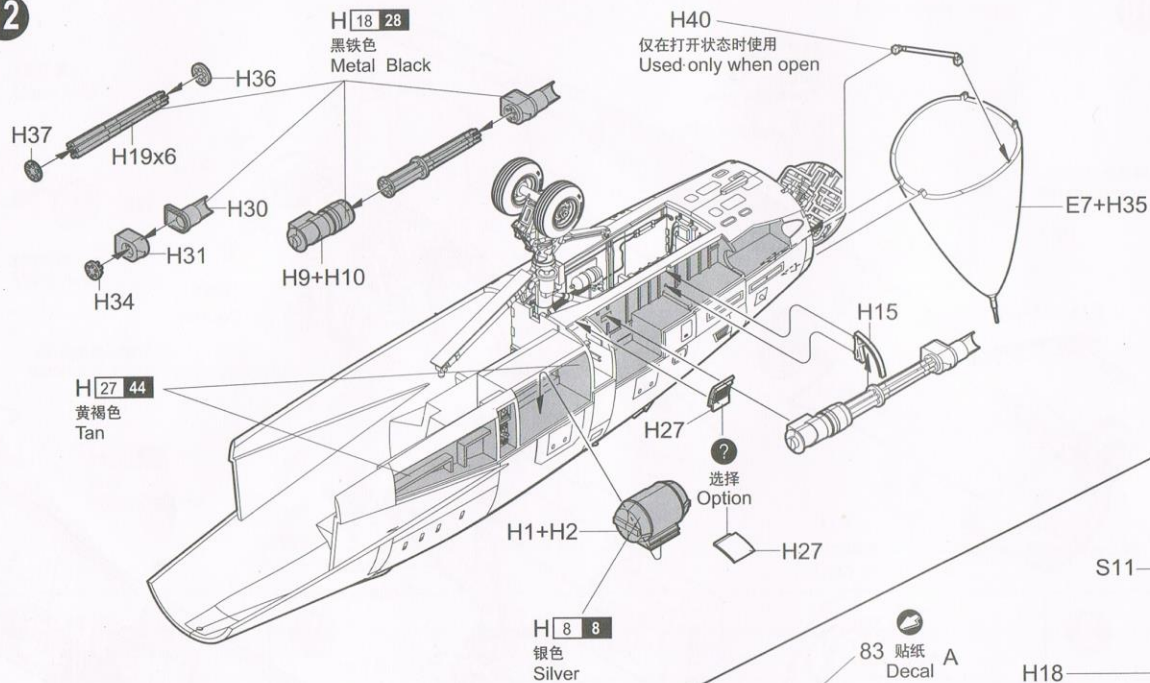
11

《前轮舱》
Nose gear cabin

《前起落架》
Nose undercarriage
仅在打开状态时使用
Used only when open

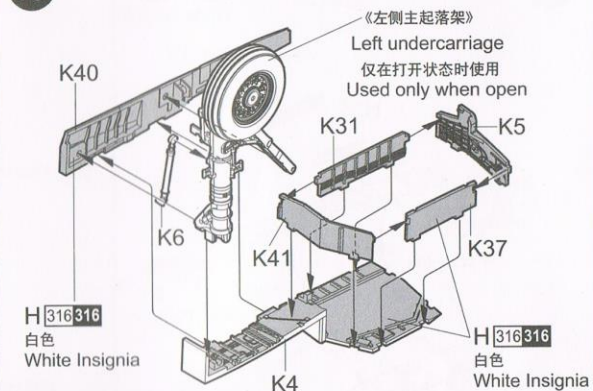


12



13

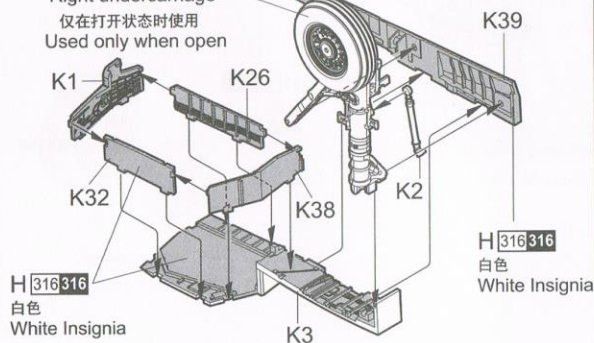
《左侧主轮舱》
Left main gear cabin



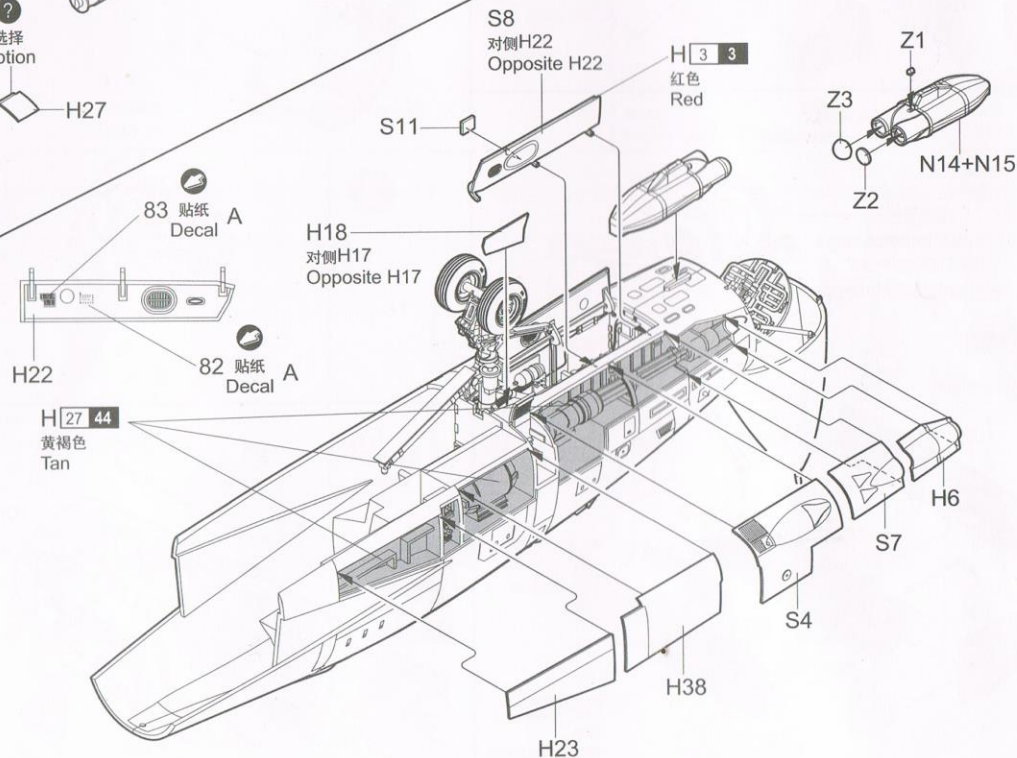
14

《右侧主轮舱》
Right main gear cabin

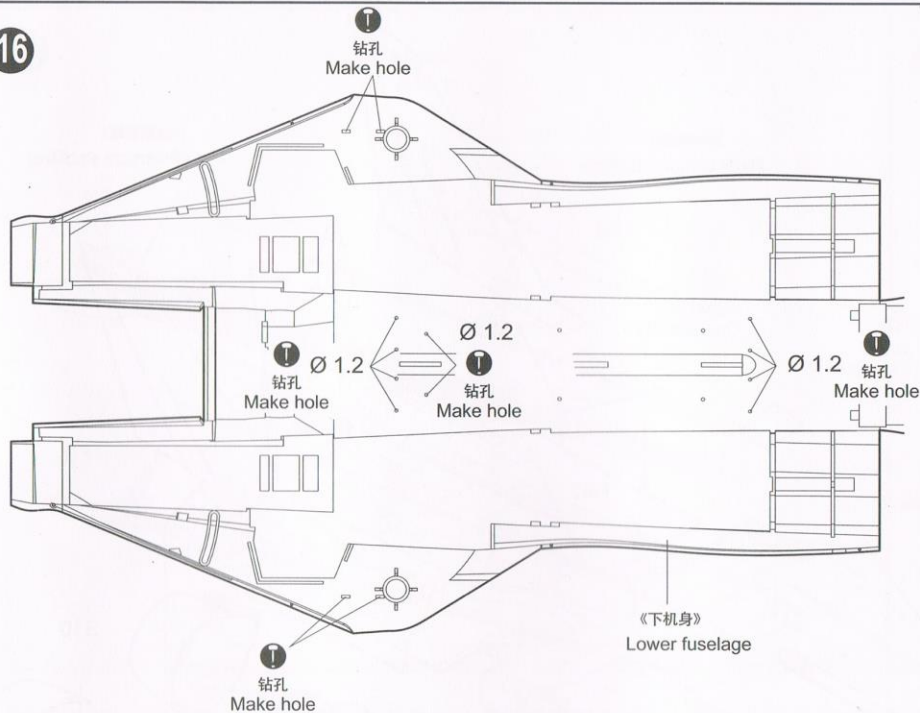
《右侧主起落架》
Right undercarriage
仅在打开状态时使用
Used only when open



15

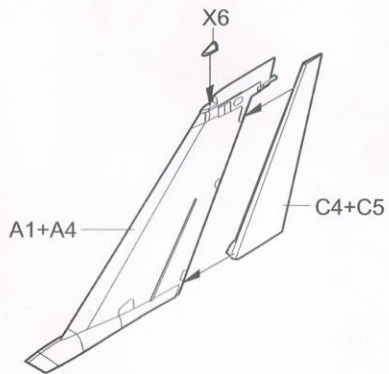


16



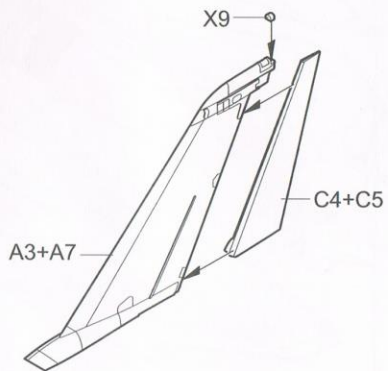
17

《左侧垂尾》
Left vertical stabilizer

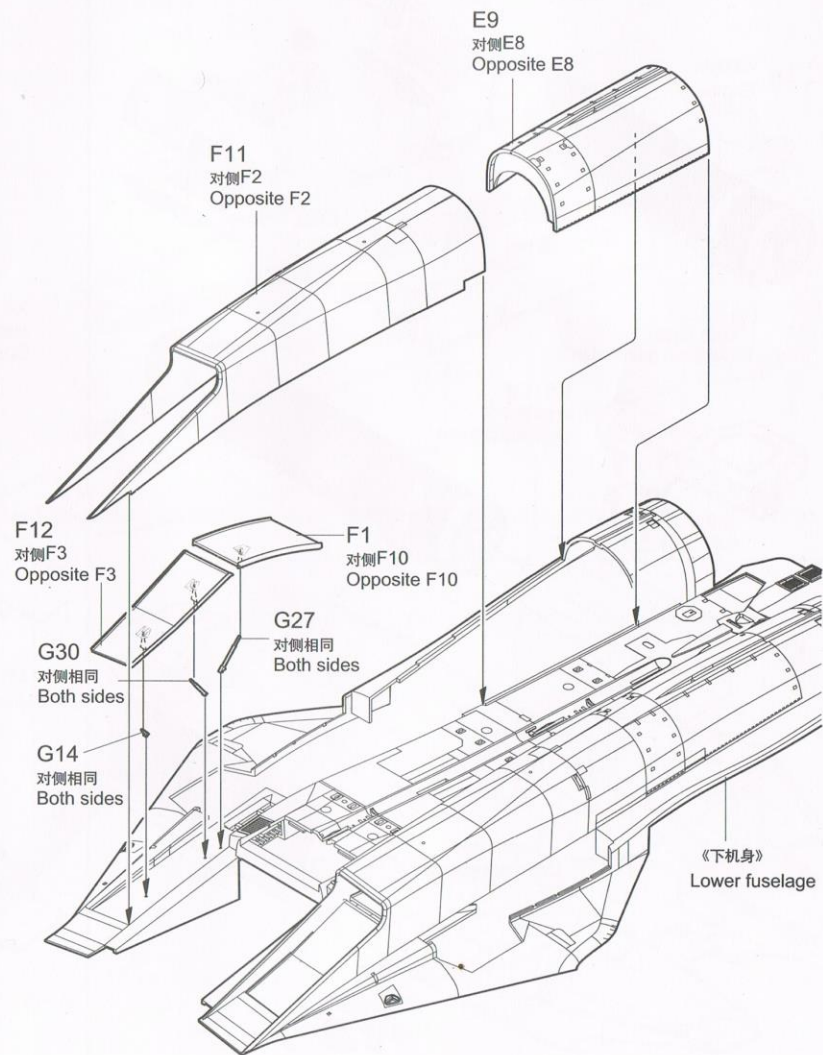


18

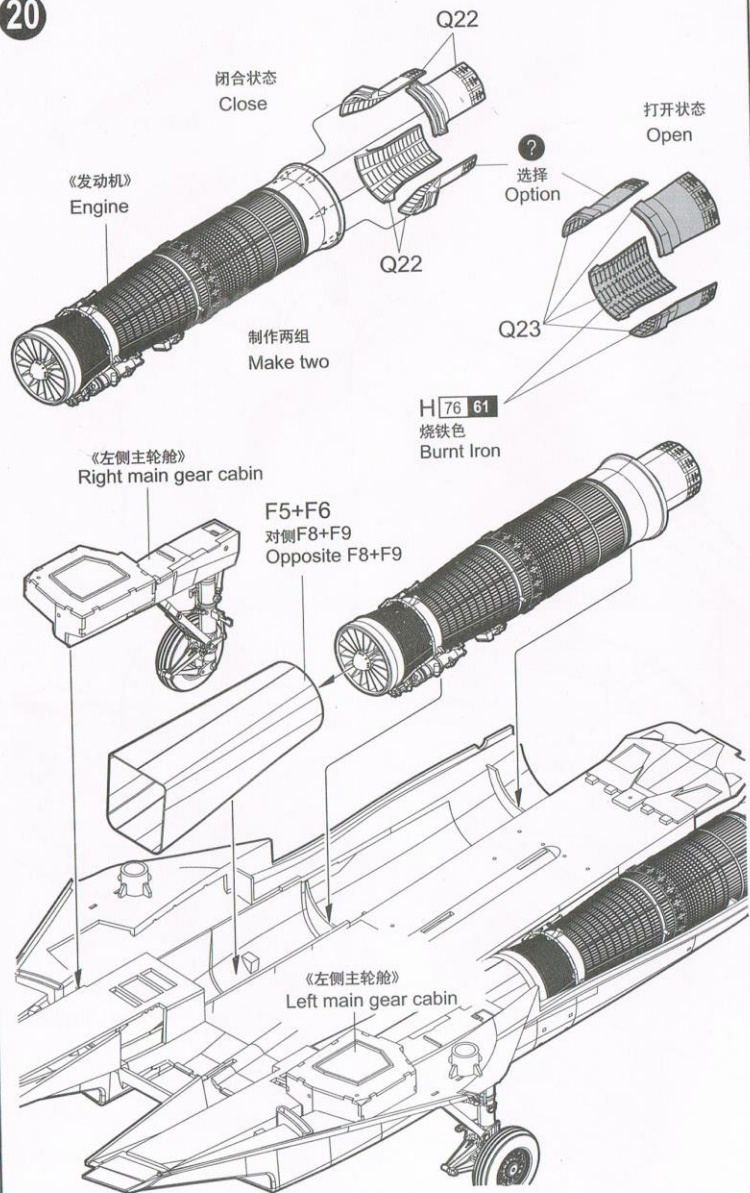
《右侧垂尾》
Right vertical stabilizer



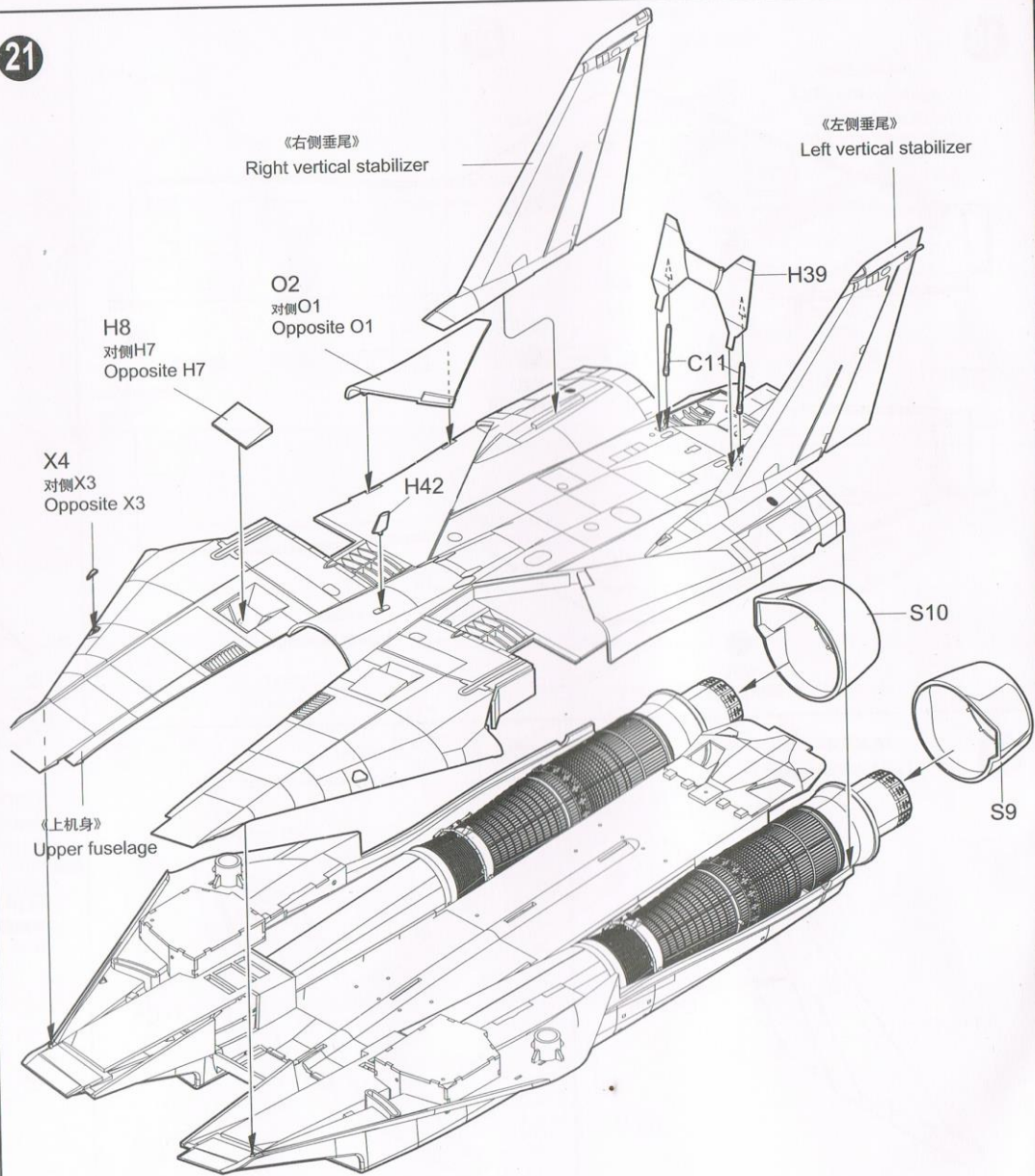
19



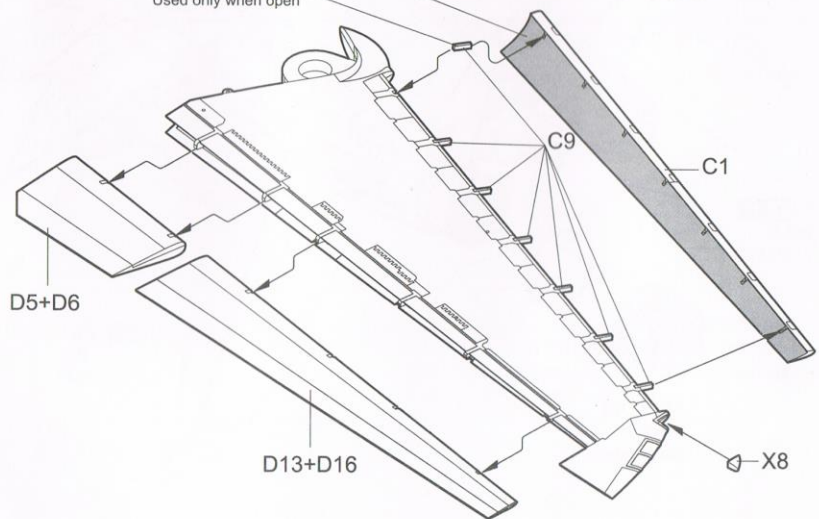
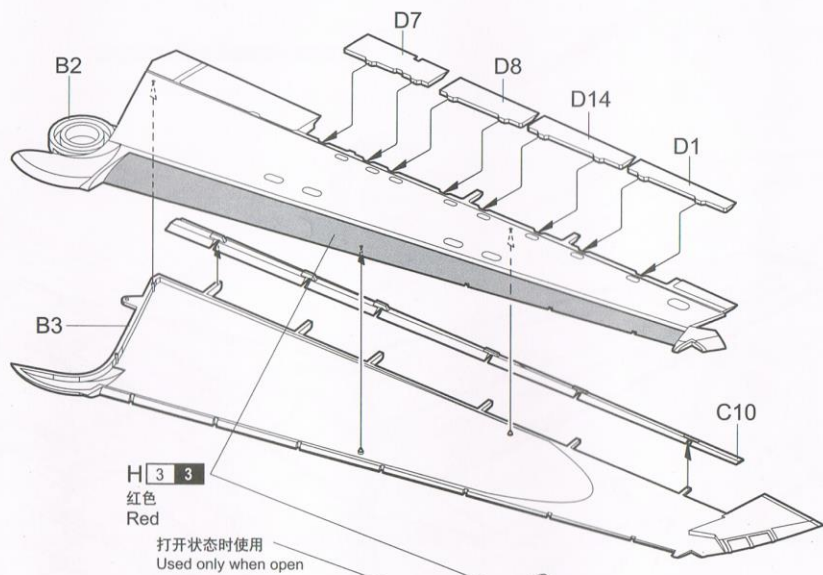
20



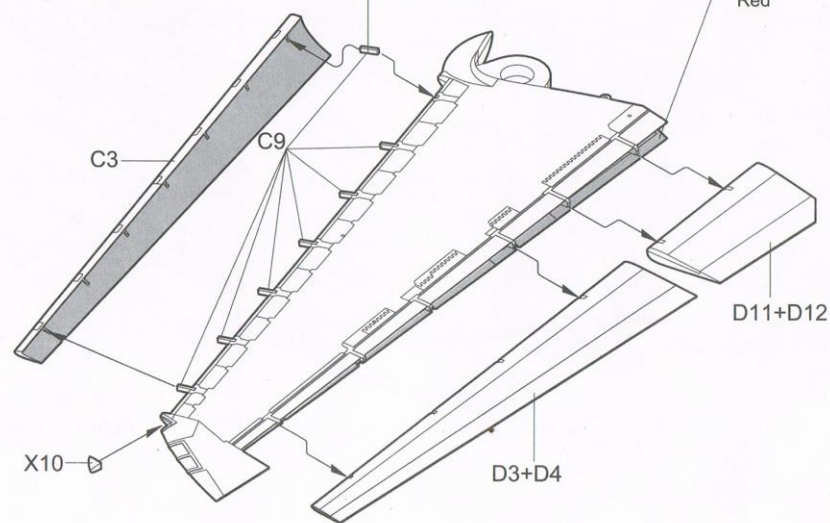
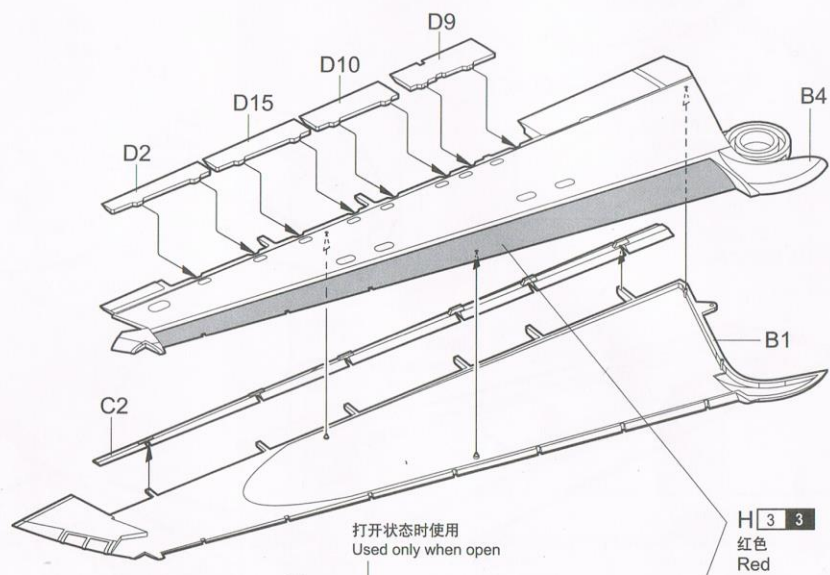
21



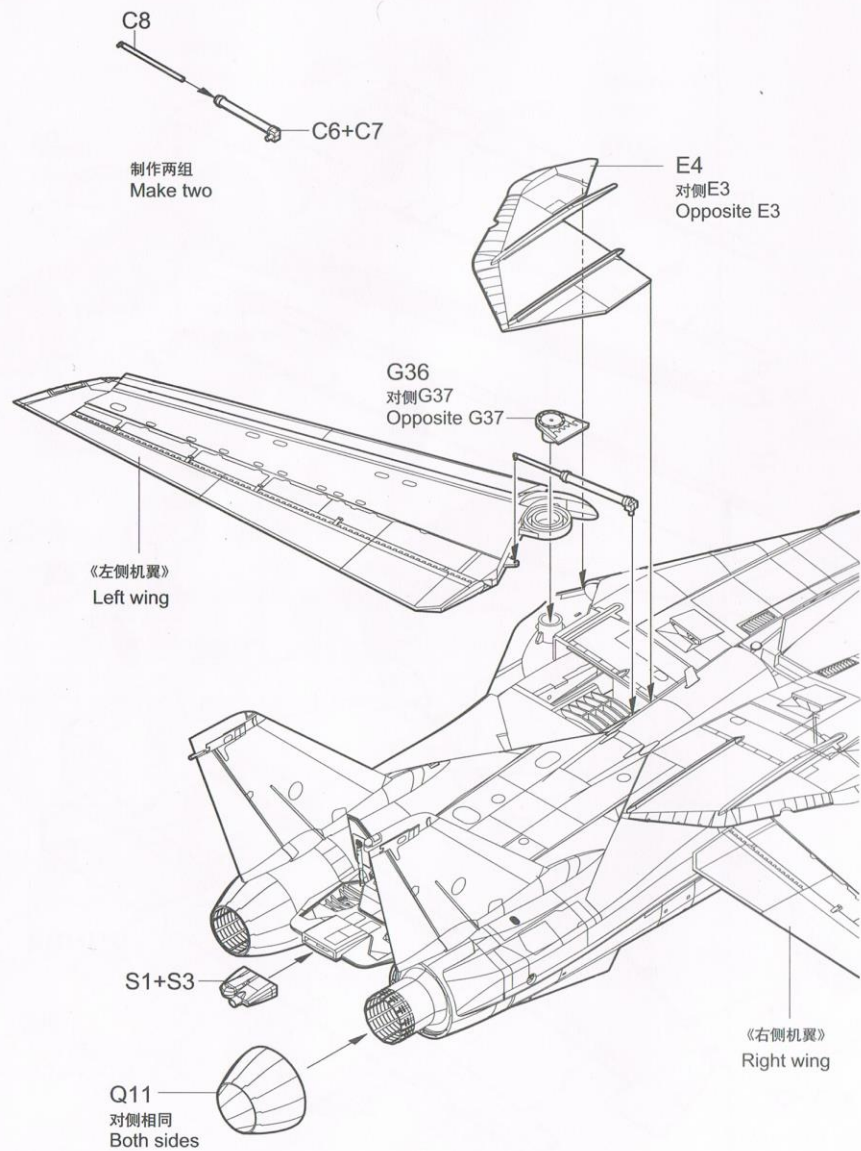
22

《左侧机翼》
Left wing

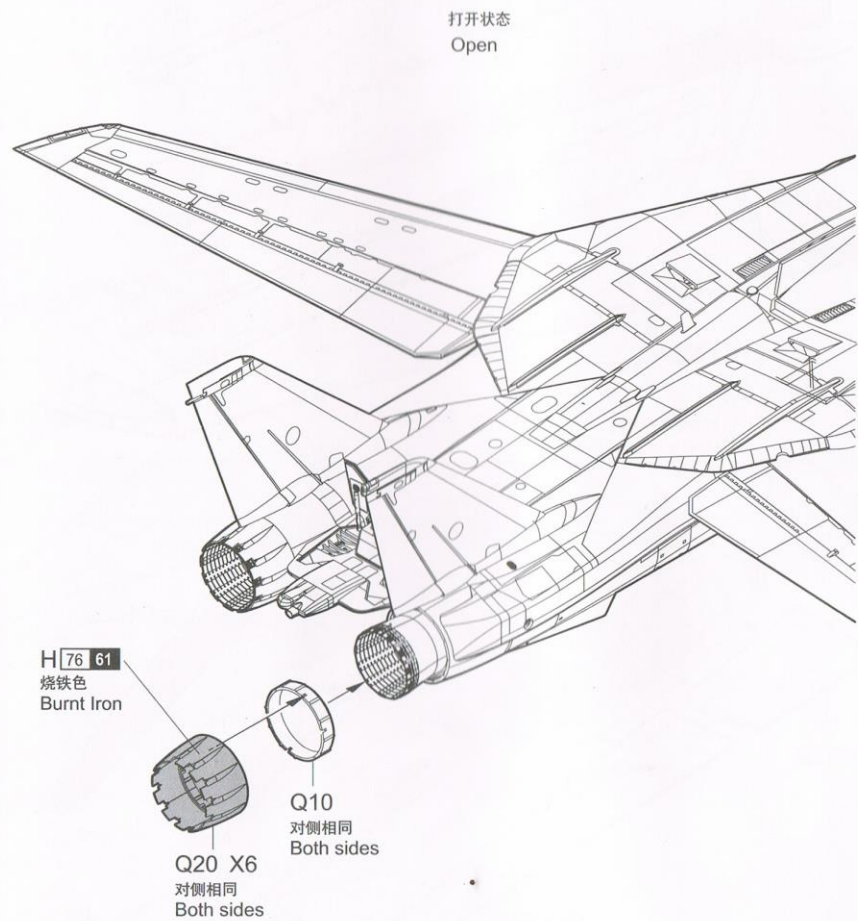
23

《右侧机翼》
Right wing

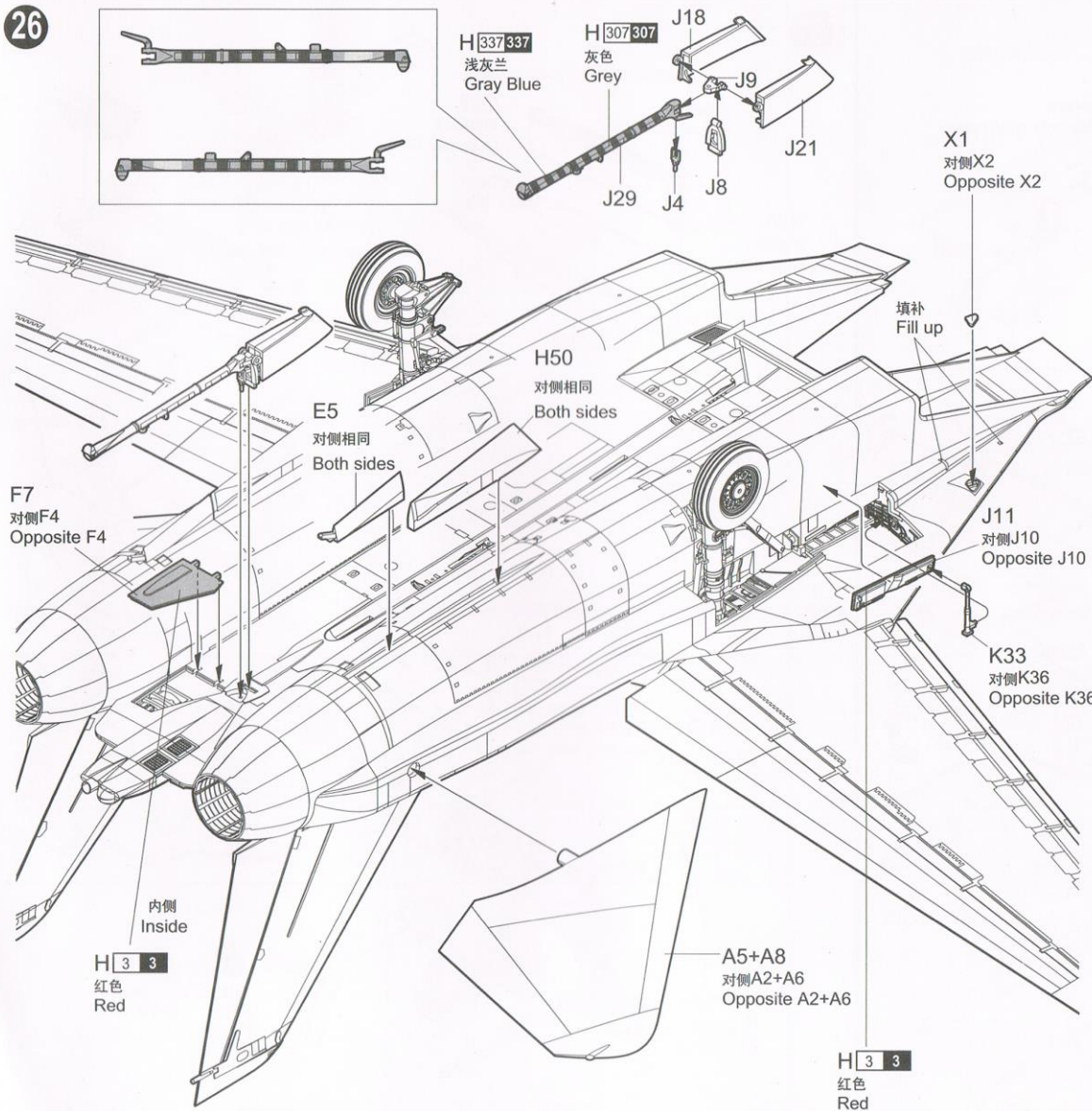
24



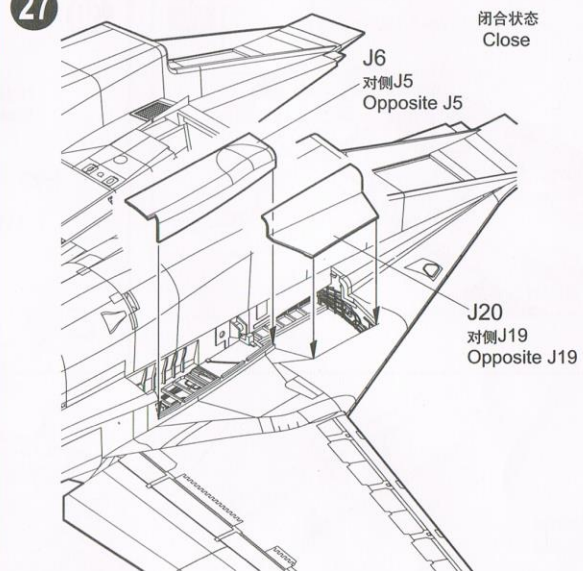
25



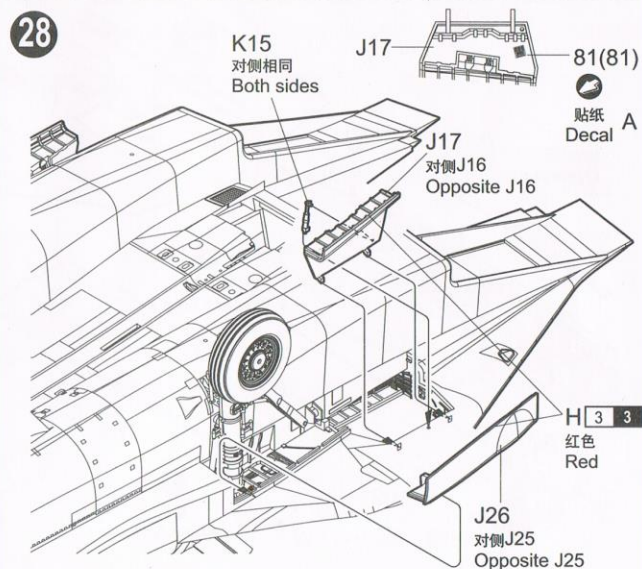
26



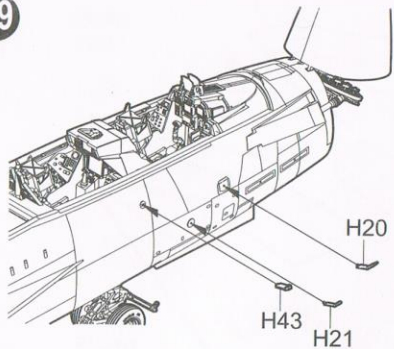
27



28

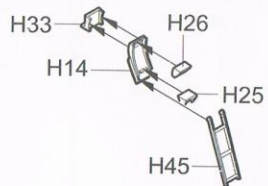


29

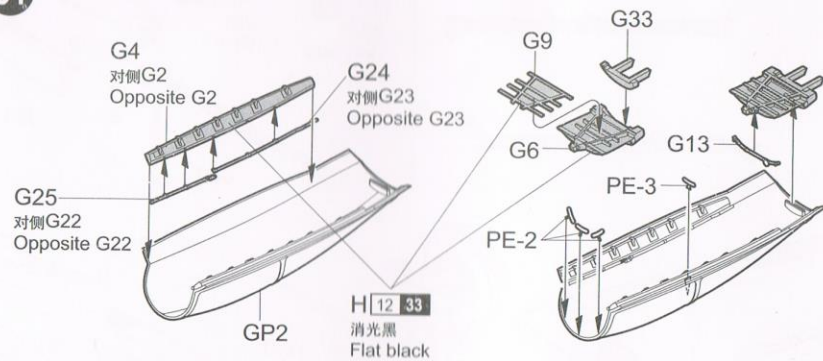


30

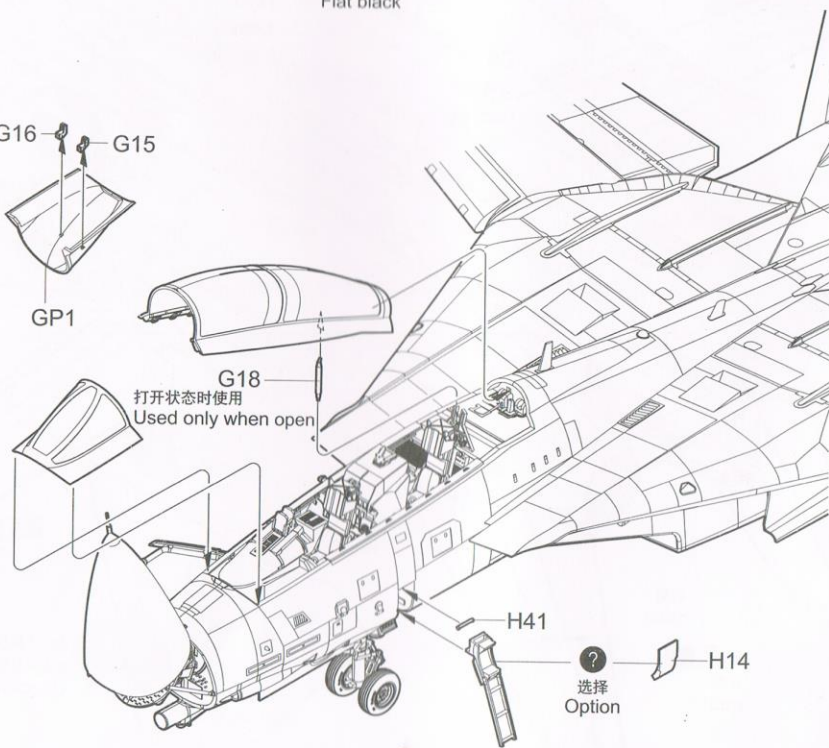
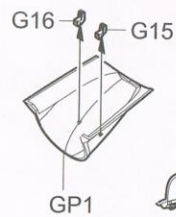
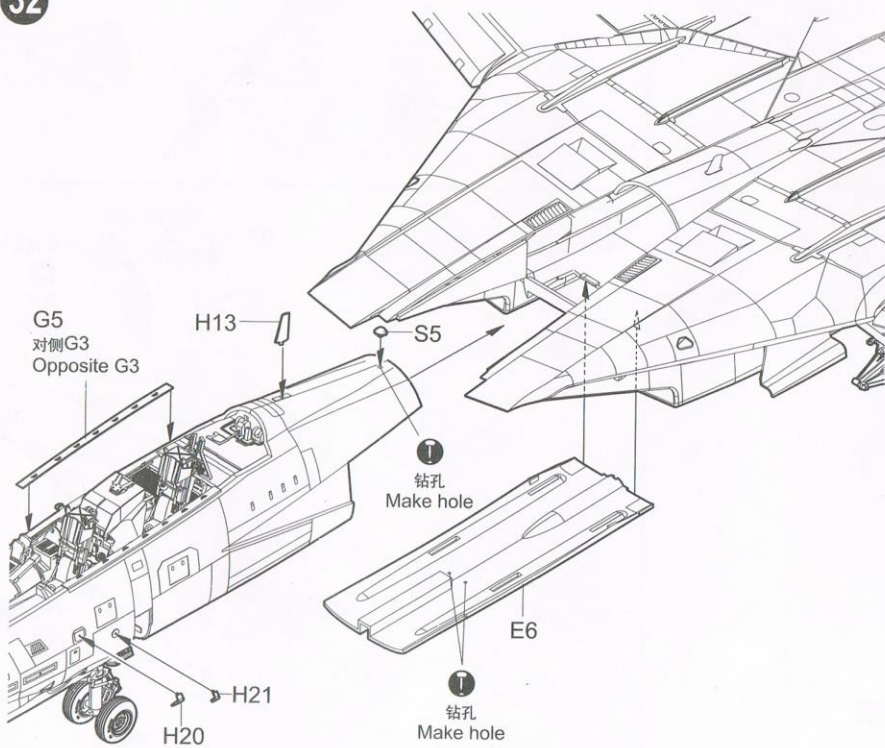
打开状态时组装
Assembly only when open



31



32

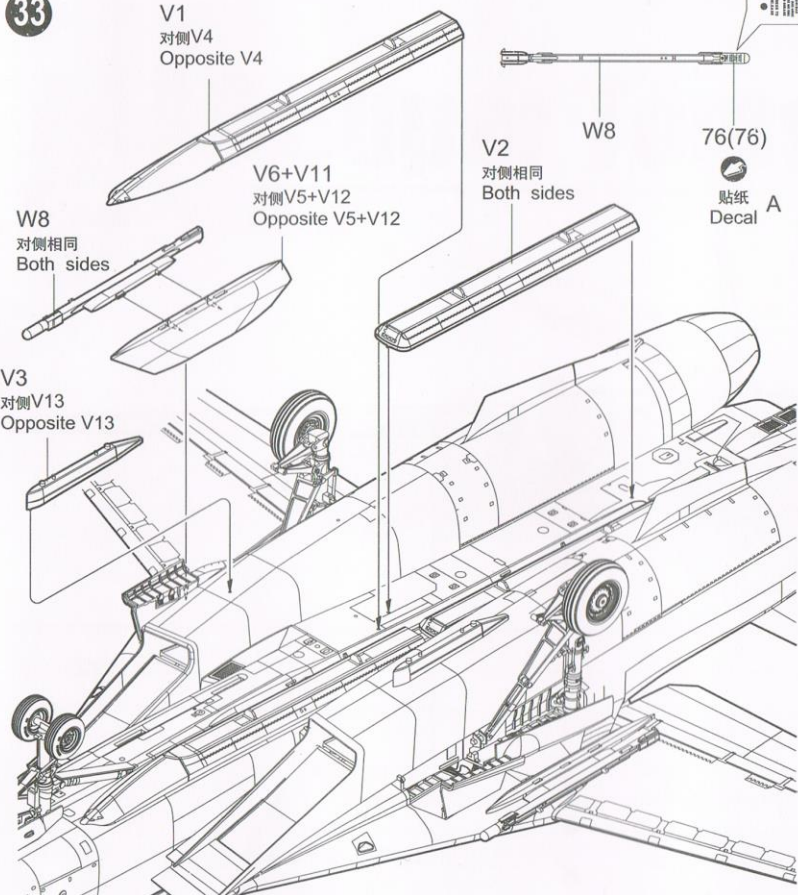


33

V1
对侧V4
Opposite V4W8
对侧相同
Both sidesV6+V11
对侧V5+V12
Opposite V5+V12V2
对侧相同
Both sides

W8

76(76)

贴纸
Decal AV3
对侧V13
Opposite V13

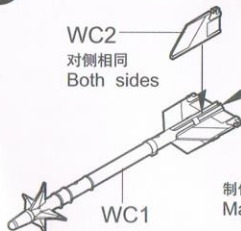
34

《AIM-9》

WC2
对侧相同
Both sides

WC3

WC1

制作两组
Make two

35

《LGTR》

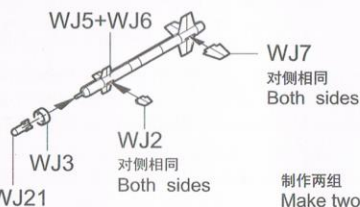
WJ5+WJ6

WJ7
对侧相同
Both sides

WJ3

WJ2
对侧相同
Both sides

WJ21

制作两组
Make two

36

《AN/AAQ-25》

V8+V10

W9

WJ15

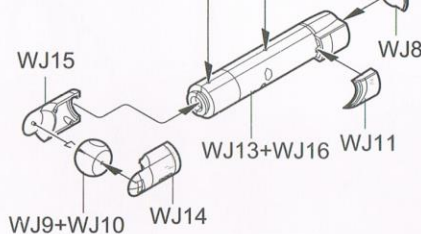
WJ8

WJ13+WJ16

WJ11

WJ9+WJ10

WJ14



38

《AIM-7》

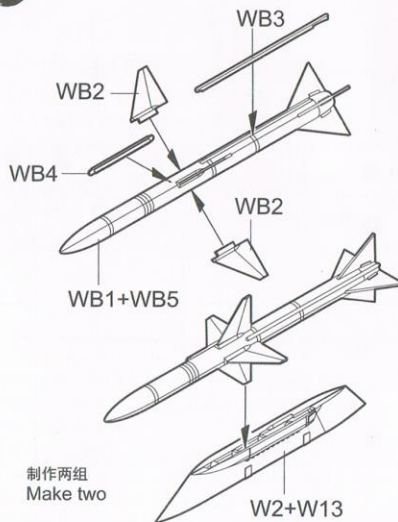
WB3

WB2

WB4

WB1+WB5

WB2

制作两组
Make two

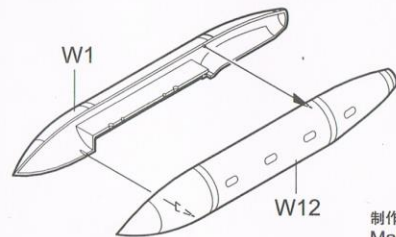
W2+W13

37

《Fuel Tank》

W1

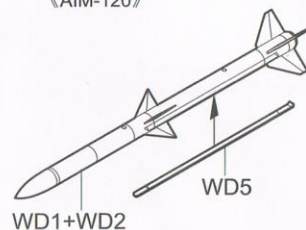
W12

制作两组
Make two

《AIM-120》

WD5

WD1+WD2

制作两组
Make two

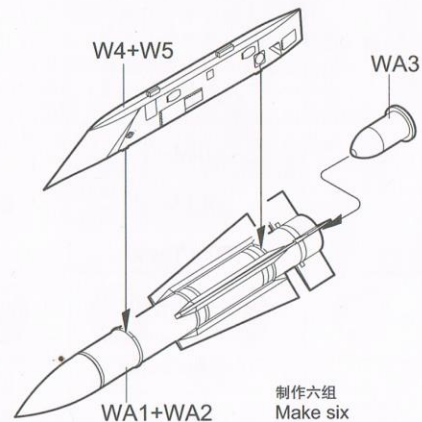
39

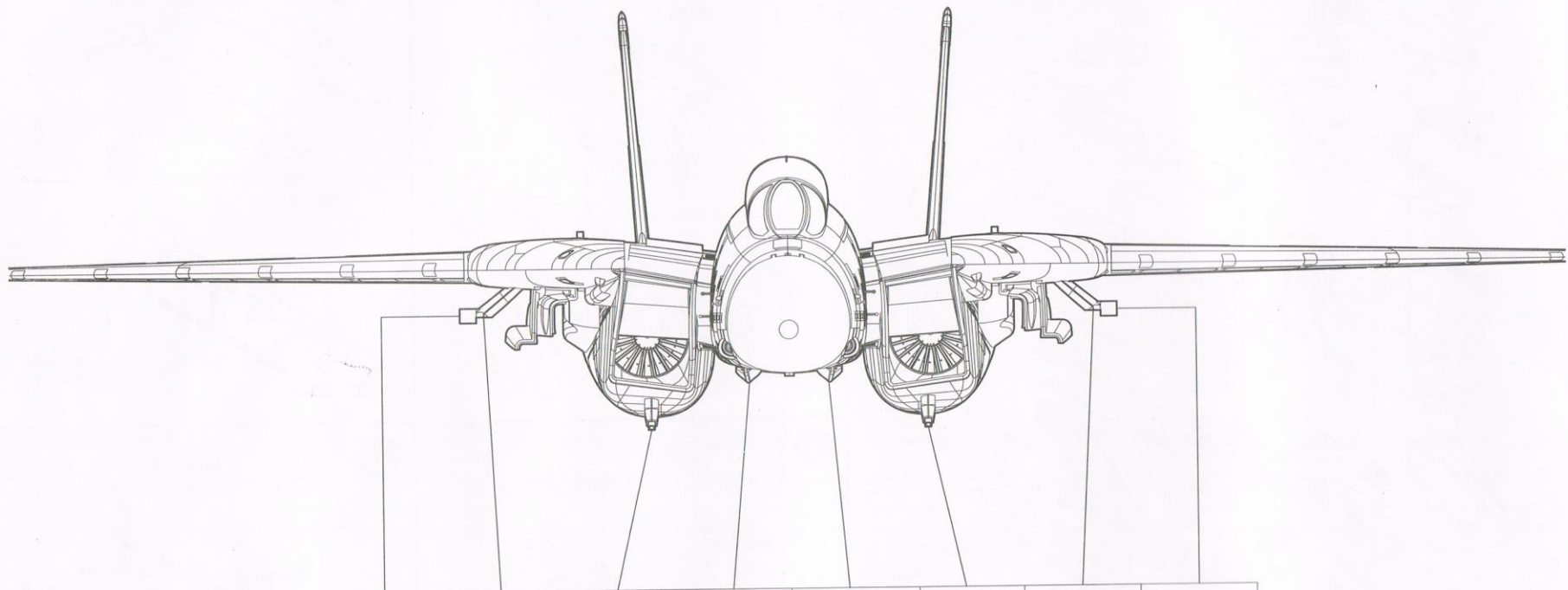
《AIM-54》

W4+W5

WA3

WA1+WA2

制作六组
Make six



				后 (Back)	●	前 (Front)	前 (Front)	●	后 (Back)			
《AIM-54》		●								●		
《AIM-7》		●								●		
《AIM-9》	●											●
《Fuel Tank》			●						●			
《LGTR》	●											●
《AN/AAQ-25》		●										●
《AIM-120》	●											●

涂装同标贴指示
Painting & Marking guide

A



B



