

1:32 Scale

费尔雷“剑鱼”MK.I型鱼雷轰炸机

# Fairey Swordfish Mk. I

## READ BEFORE ASSEMBLY:

- This kit is not recommended for inexperienced modelers or for children under 14 years of age
- Study and understand these instructions thoroughly before beginning assembly
- When needed, remove photo-etch parts carefully using a modeling knife or photo etch sprue cutter, being careful not to damage or lose small parts.
- Take extra care in handling photo etch parts in order to avoid injury
- Apply instant cement sparingly to photo etch parts where instructed

- Tools recommended(not included in kit):Plastic and instant cements,sprue cutters,long nose pliers,modeling knife, small files, tweezers, pin vise & scissors. Soft cloth and sandpaper will also assist in construction
- Glue and paint are not included in the kit. Use plastic cement and hobby paints only. Color guide for purchasing paint is included in the kit.
- Keep out of reach of small children. They must not be allowed to ingest small parts or handle plastic bags in any way.

## 装配之前仔细阅读

- 小心用模型锉刀锉平所有零件表面的注射浇口。
- 小心用刀片切下蚀刻片零件，不要遗失小零件。
- 用强力快干胶水粘合蚀刻片零件和金属轴。过量的快干胶水使用可能导致可动零件会粘住，小心涂胶。
- 取蚀刻片时应特别注意安全，防止利边划伤手指。
- 某些零件表面需贴水上贴纸，请选择在装配的同时进行。
- 推荐模型工具(自备)：胶水，水口剪刀，长咀钳，刀片，锉刀，镊子钳，钻，剪刀，瞬间快干胶。
- 软布同砂纸同时也应该是必备工具。
- 请使用塑料胶水和油漆，模型内不含。
- 谨防小孩吸吮塑料零件，或者将塑料袋套在头上，制作时应将套材远离小孩接触。
- 本产品不适合14岁以下没有经验的模型爱好者。

## 水贴纸的使用:

1. 从水贴纸上剪下印花;
2. 将印花放入温水中浸10秒, 然后放在干净布上;
3. 拿着印花纸板将印花移到模型上;
4. 手指蘸水将印花移到适当的位置;
5. 用软布轻压印花直至水干, 气泡消失。

## DECAL APPLICATION:

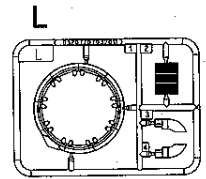
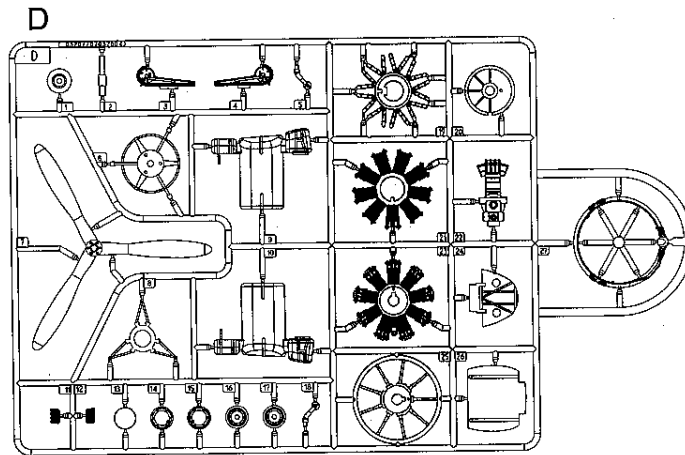
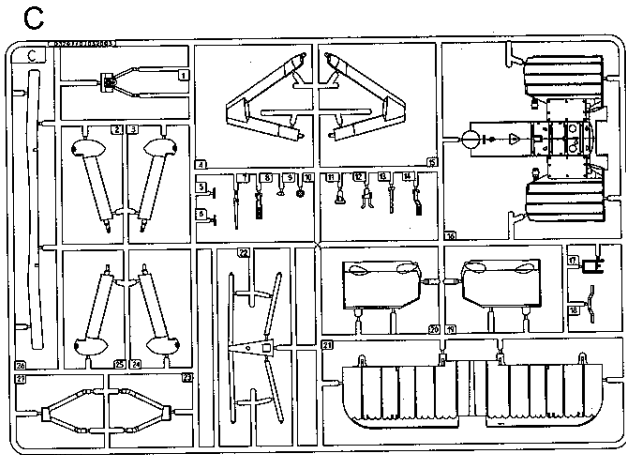
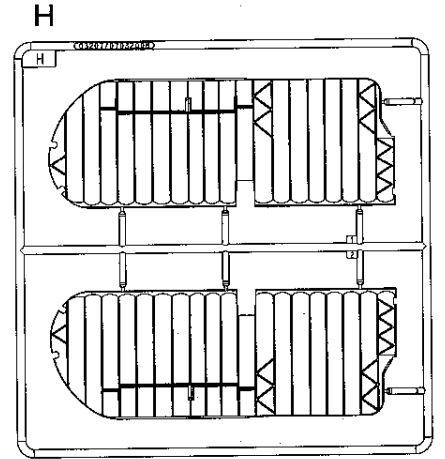
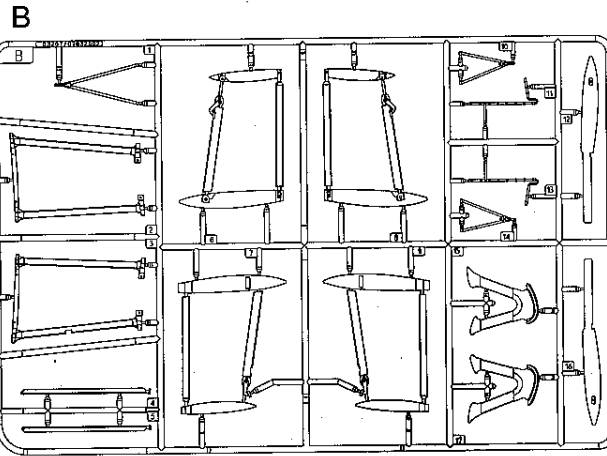
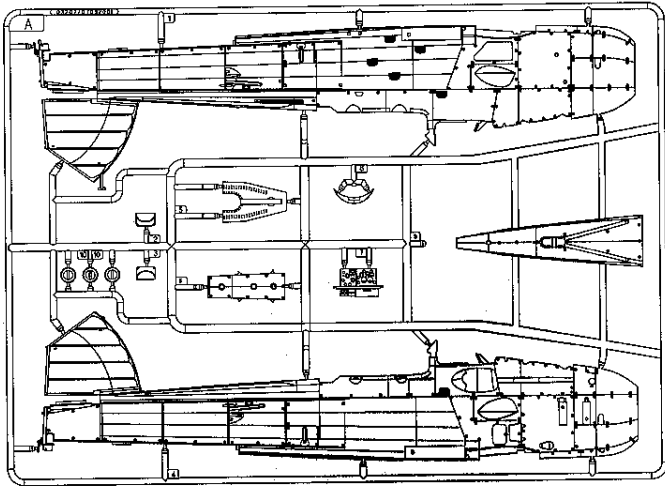
1. Cut decals from sheet as needed
2. Dip the decal in warm water for about 10 seconds and then place on soft clean cloth.
3. Hold the decal backing sheet edge and gently slide the decal onto the model in its proper position.

4. While still wet, decal can be adjusted for better fit on model by dampening it gently with your finger.
5. When placed in the proper position, gently press decal down with a soft cloth until excess water and air bubbles are gone.
6. Allow decal to dry completely before handling model

cyanoacrylate glue  
使用强力胶weight  
配重make hole  
钻孔cut / remove  
切除option  
选择no cement  
不涂胶水decal  
贴纸bend  
弯曲file / sand  
锉平

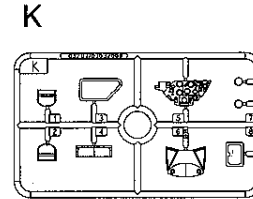
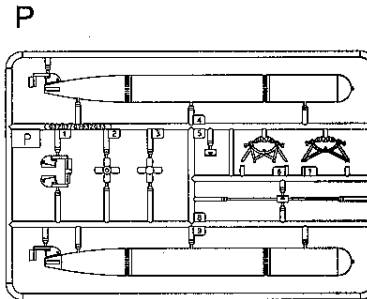
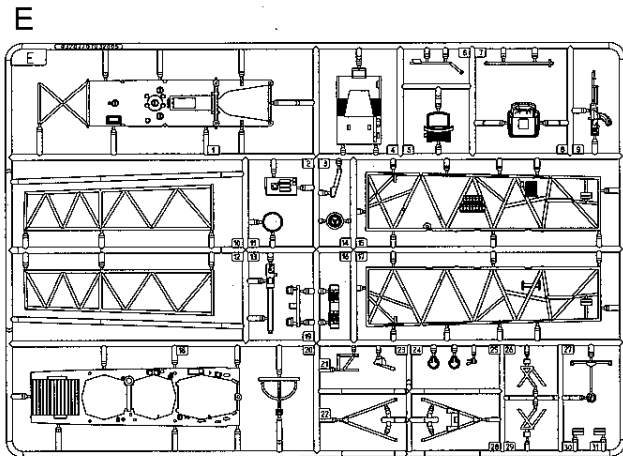
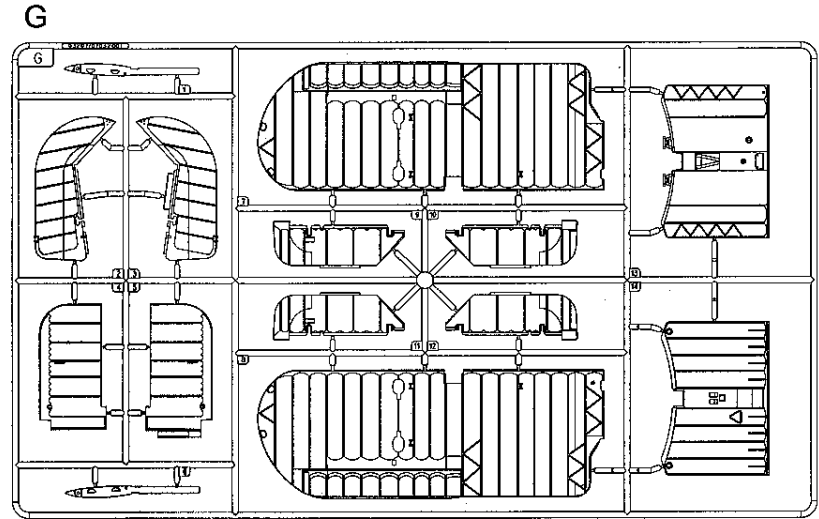
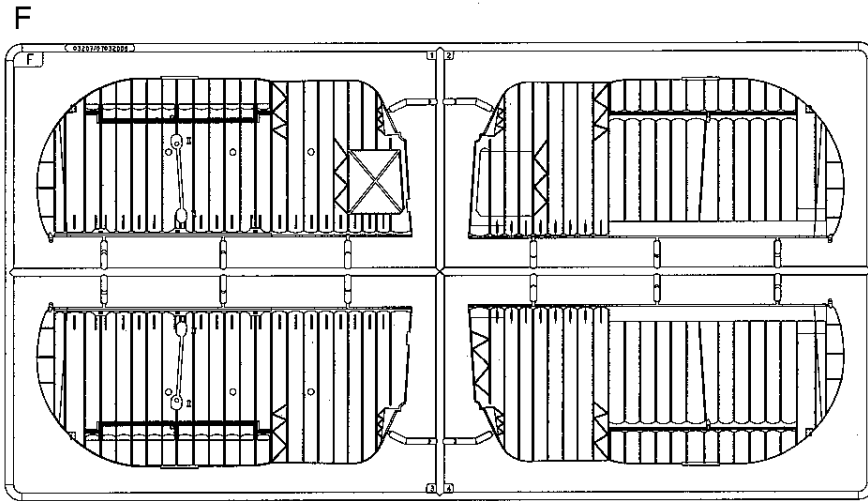
部品图  
Parts

A X 2 含透明版  
Include a transparent part

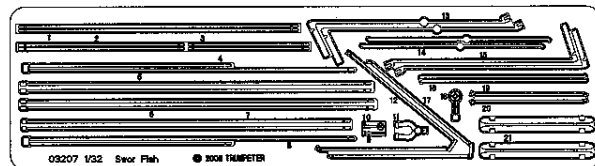


部品图

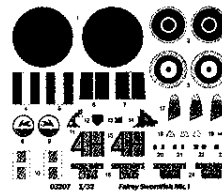
Parts



《独刻片》  
Photo etched parts(PE)



《水贴》  
Decal



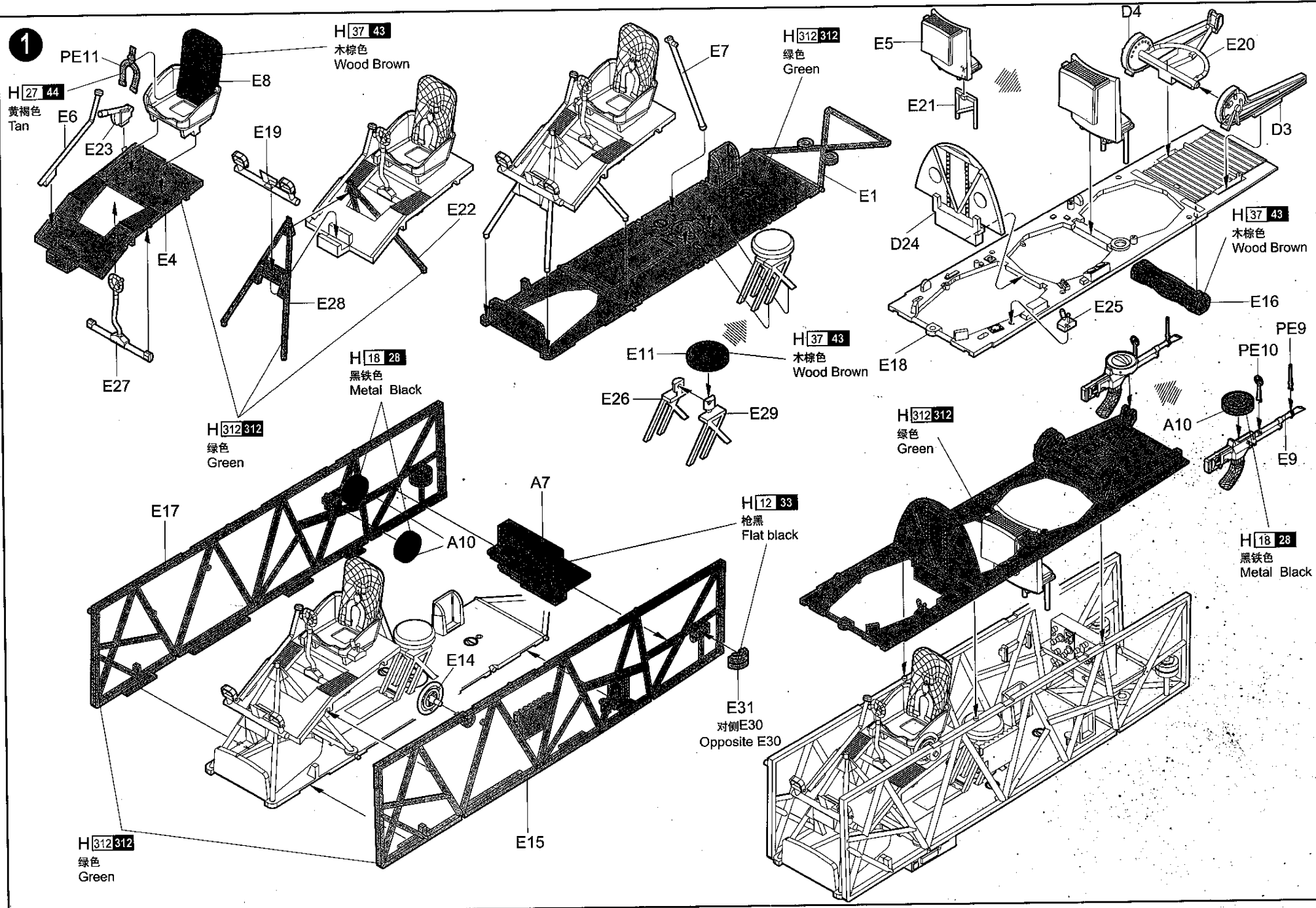
《尾轮胎》  
Tail Tyre



《主轮胎》 X2  
Main Tyre

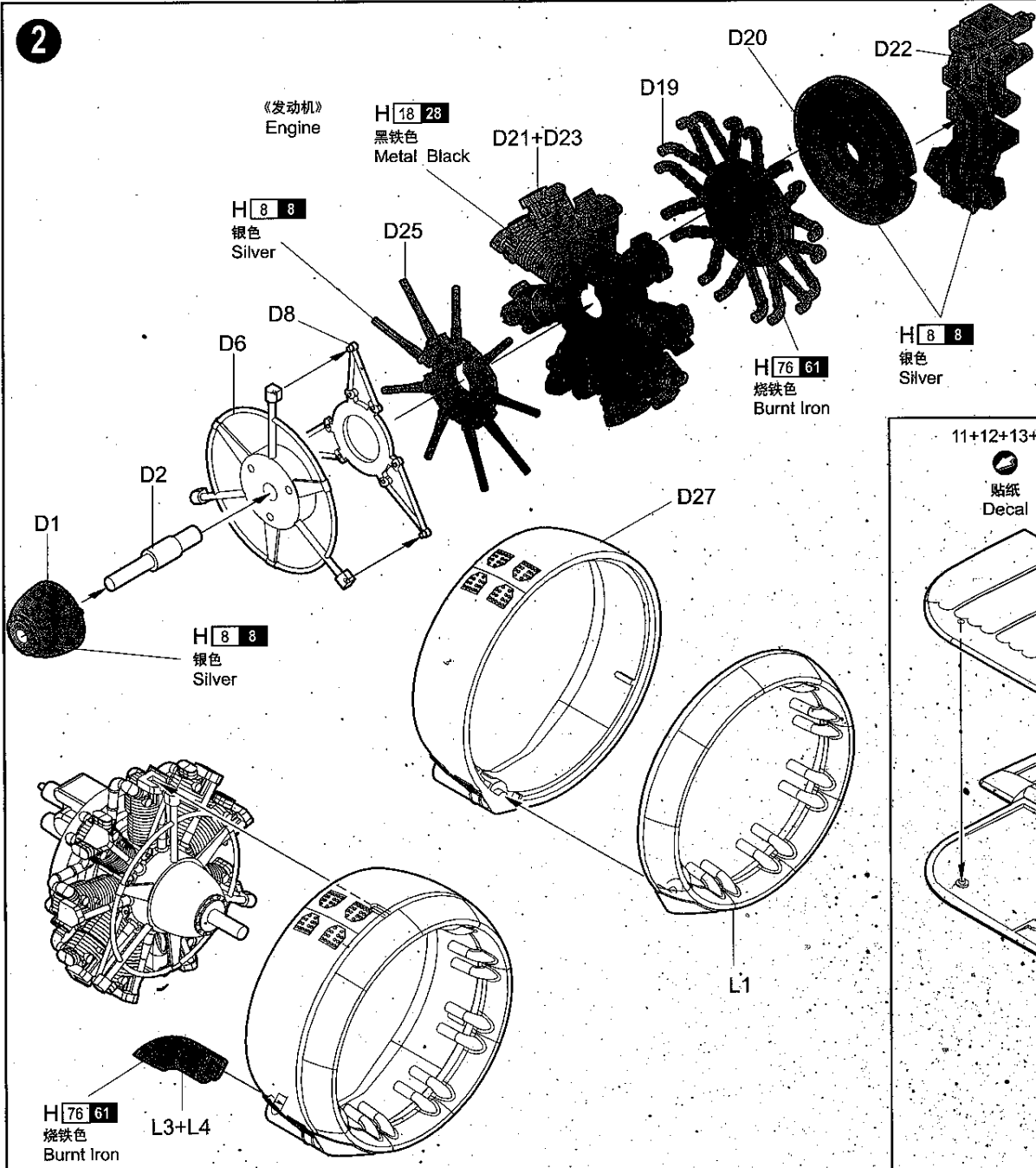


1

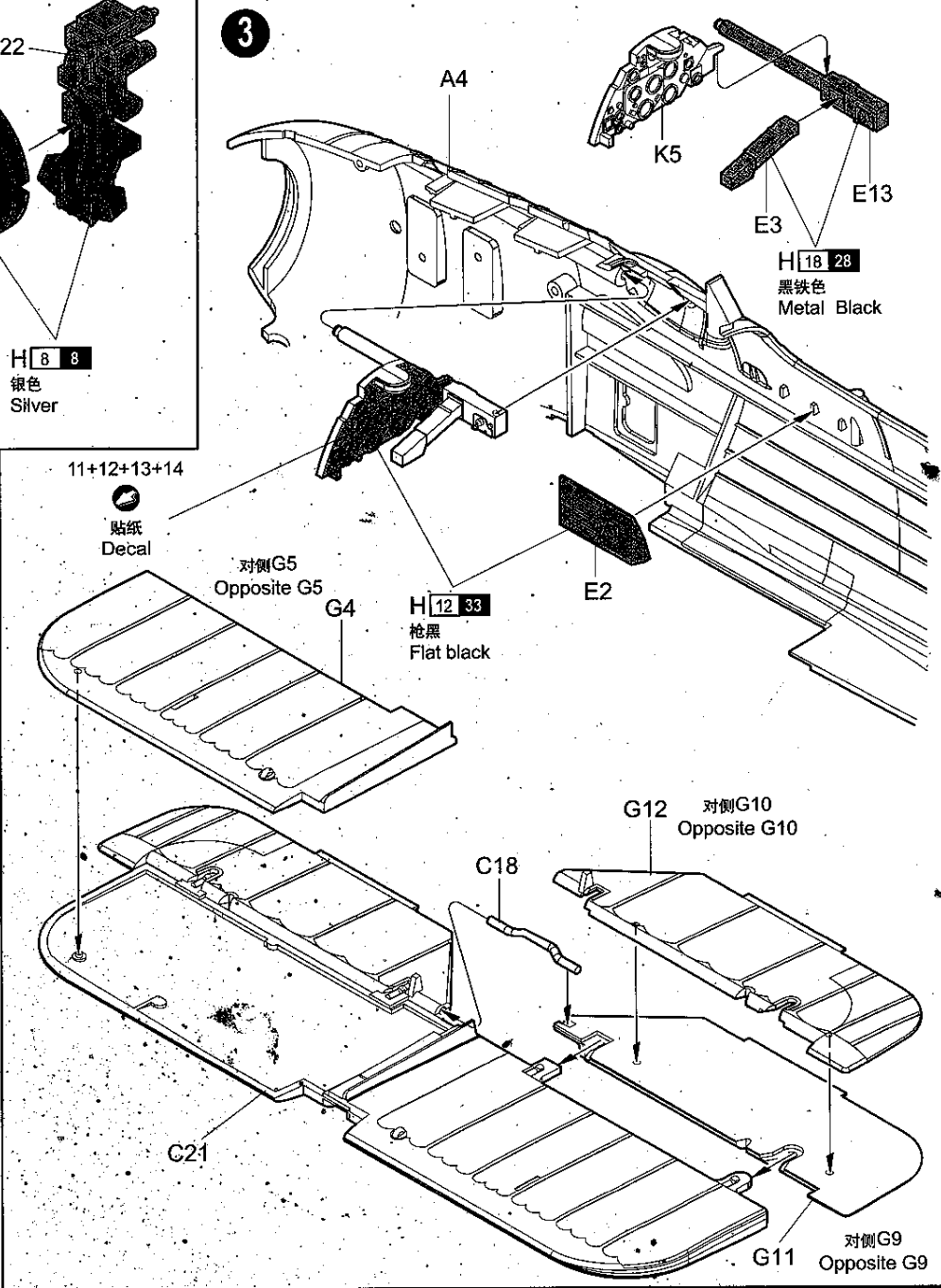


2

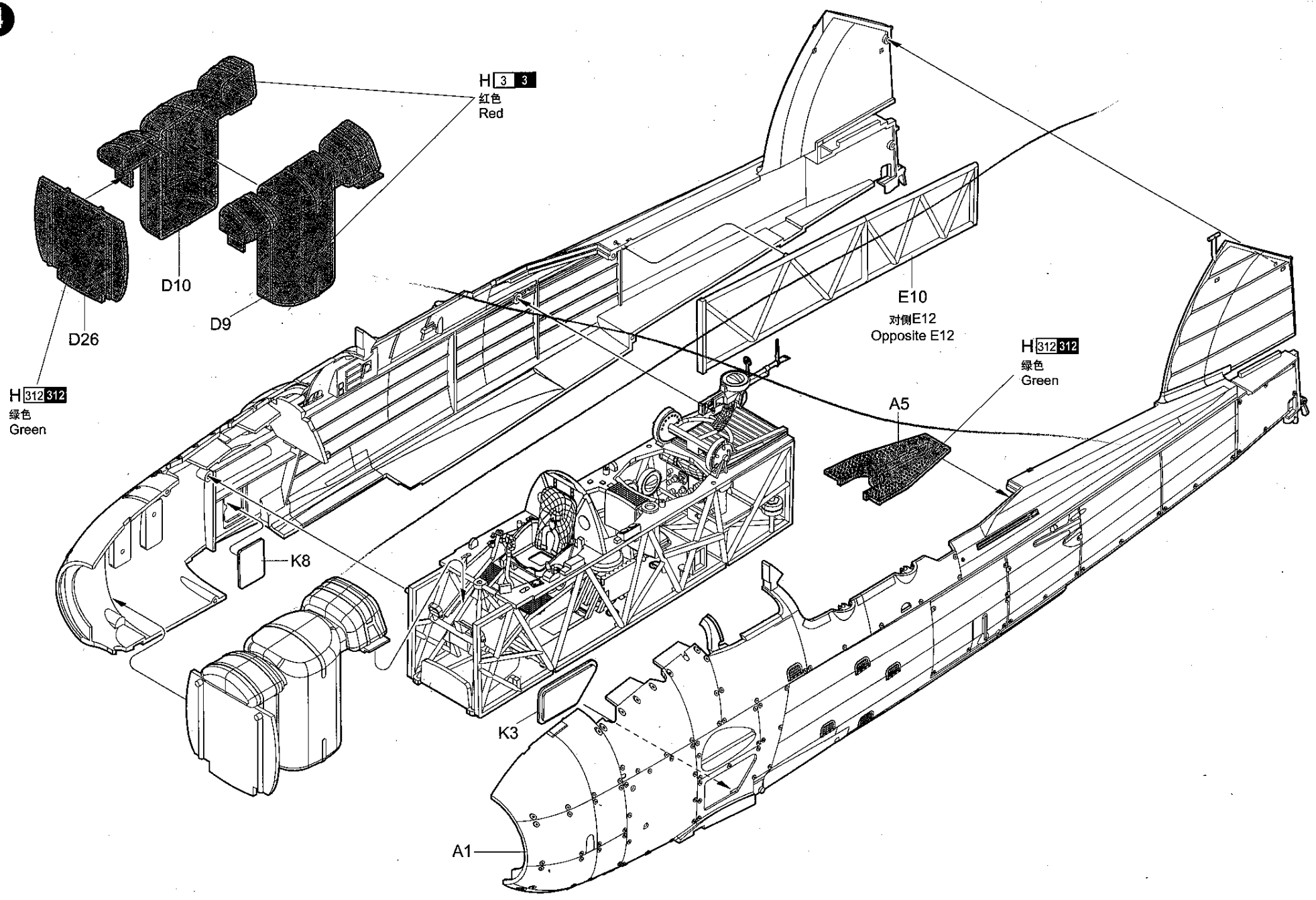
《发动机》  
Engine



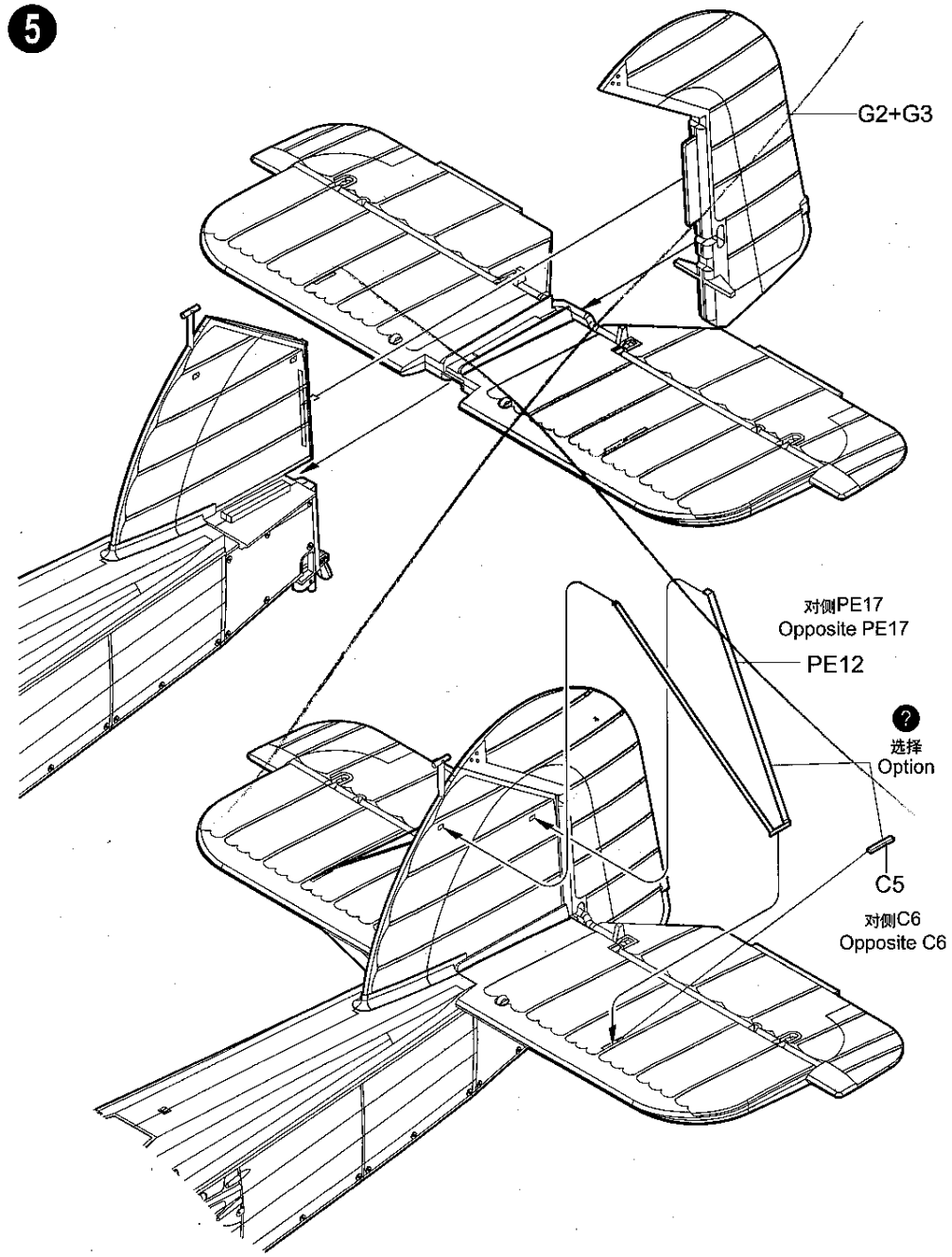
3



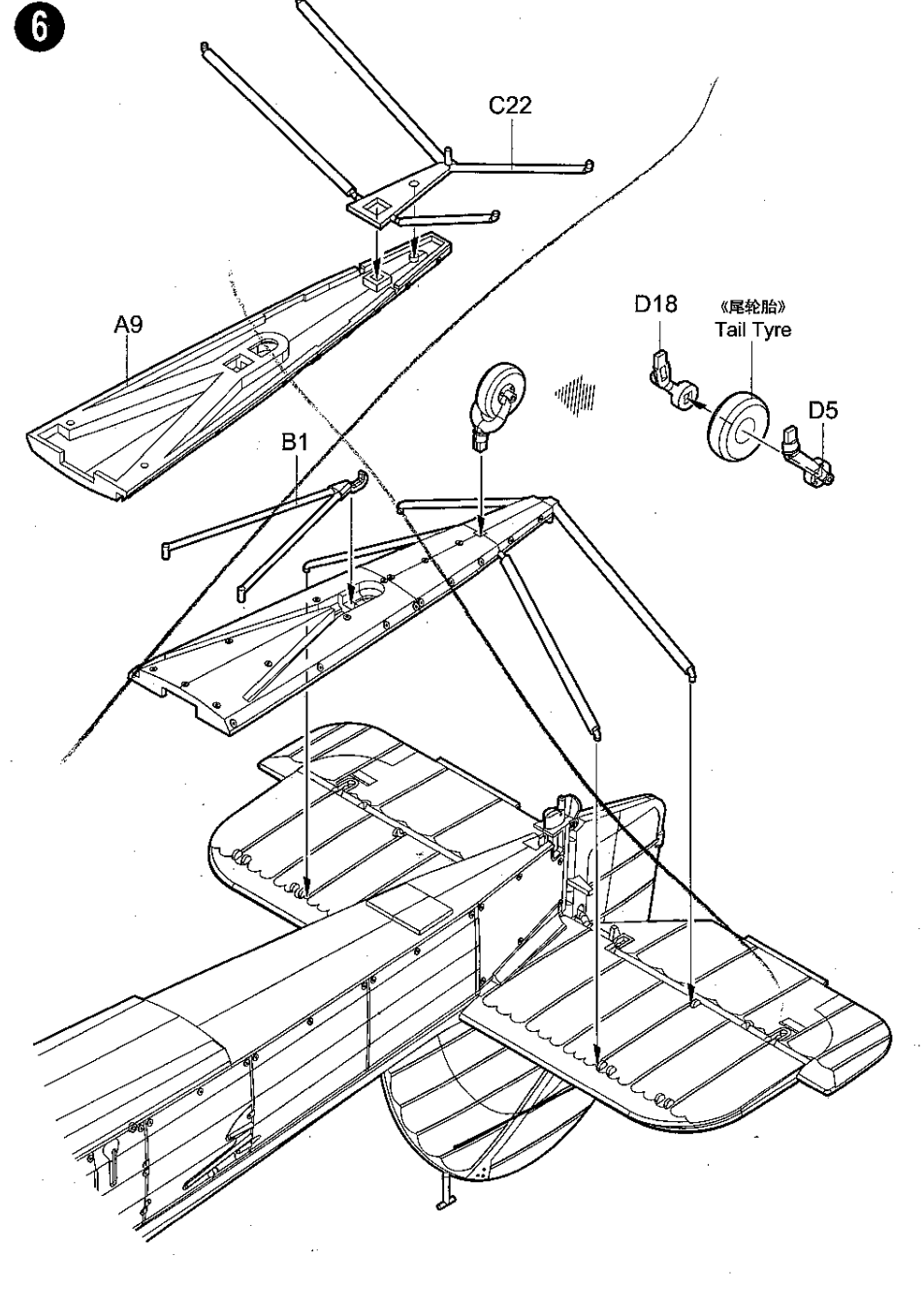
4



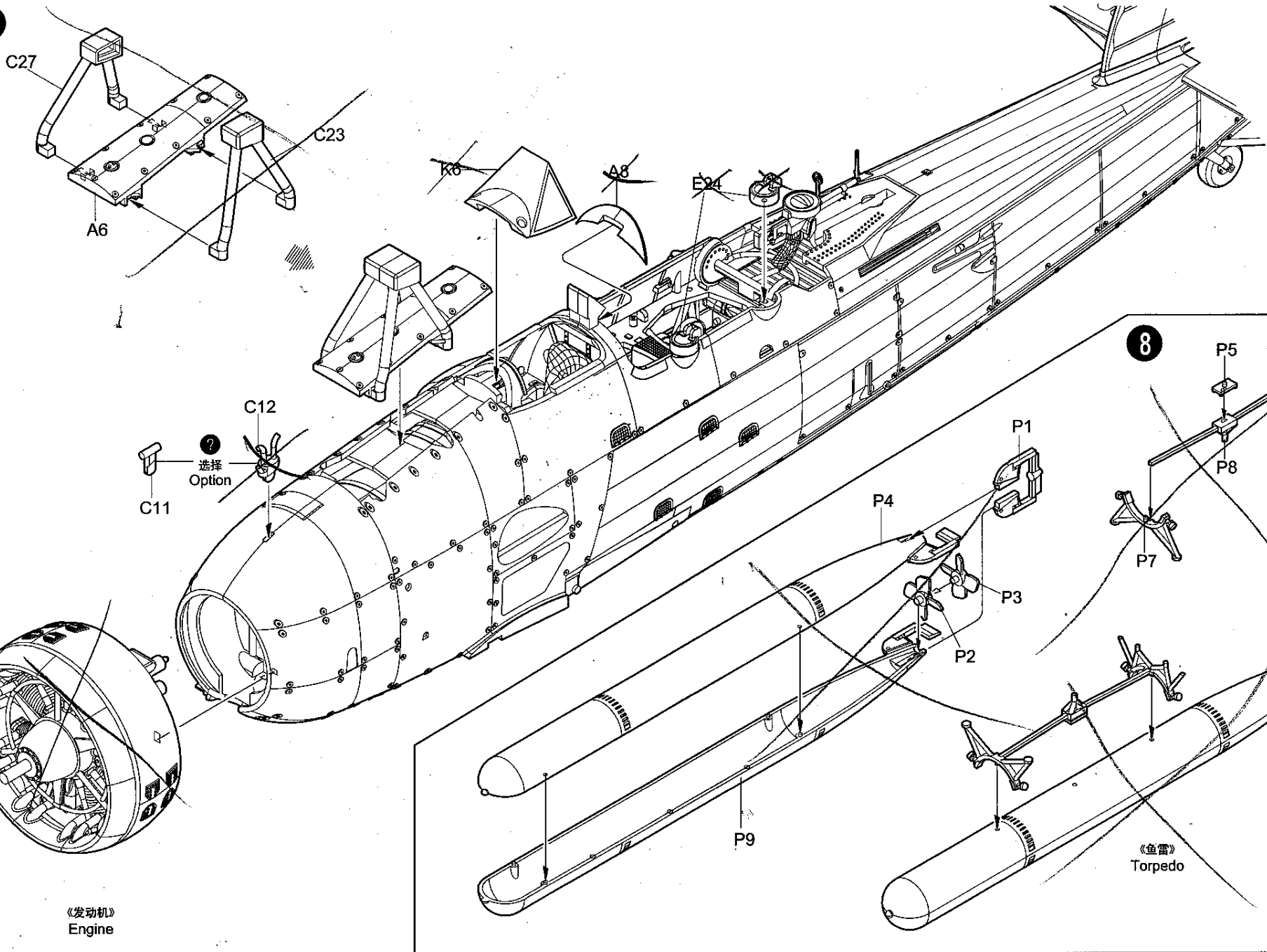
5



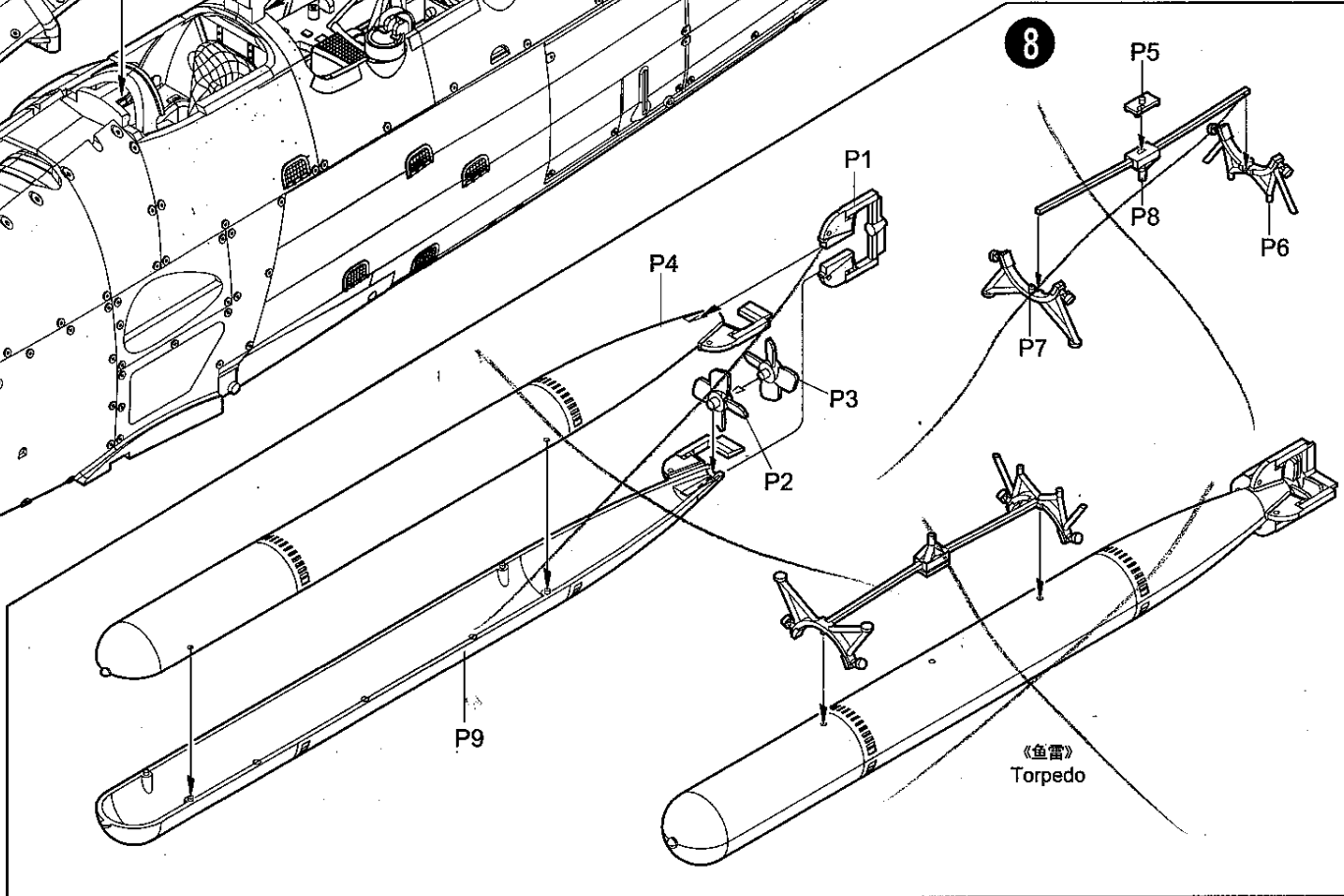
6



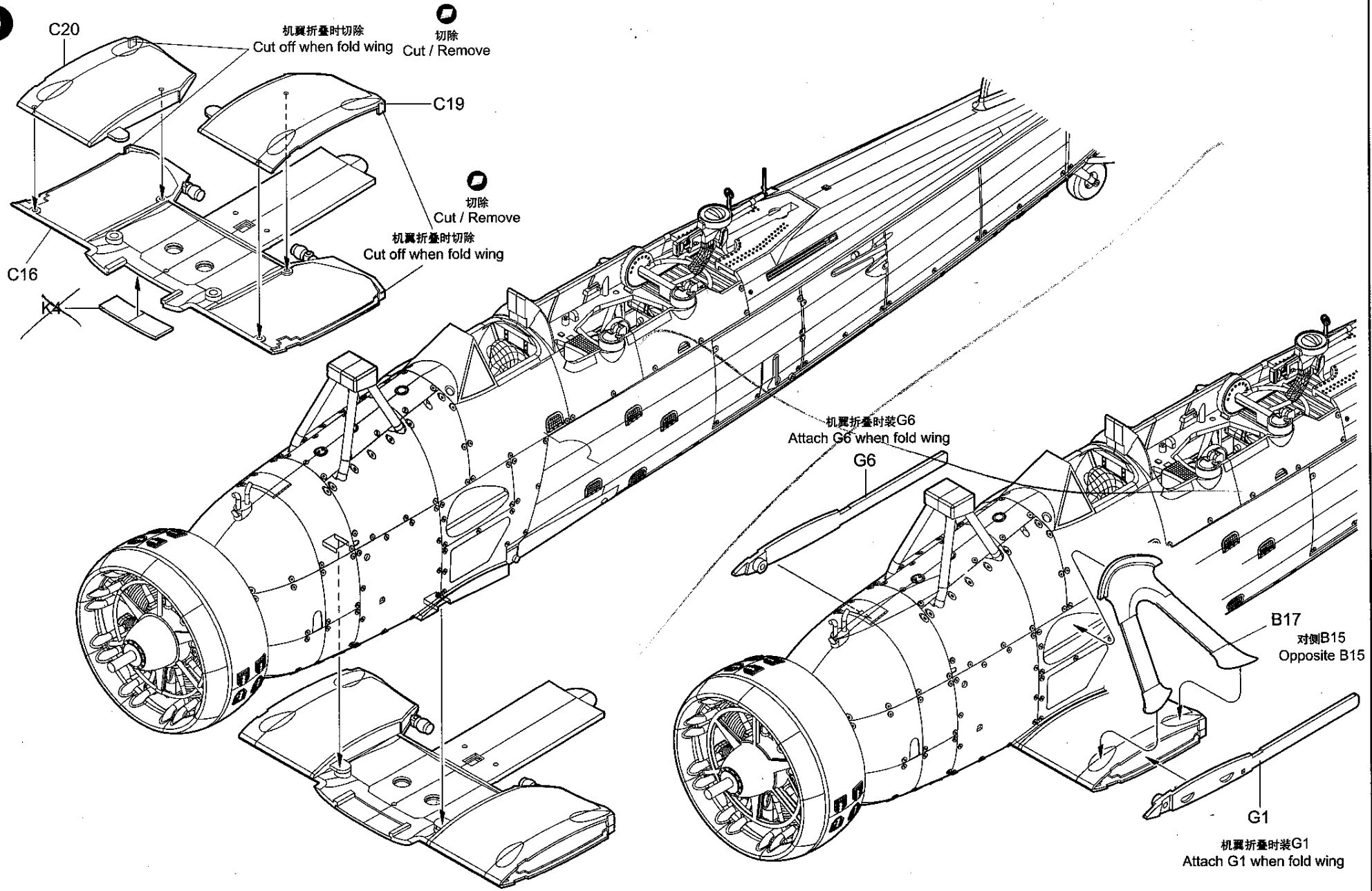
7



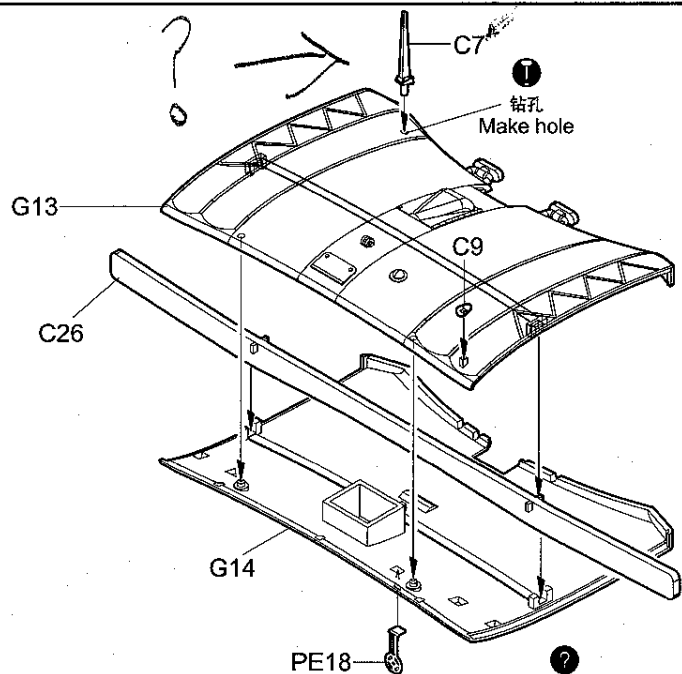
8



9



10

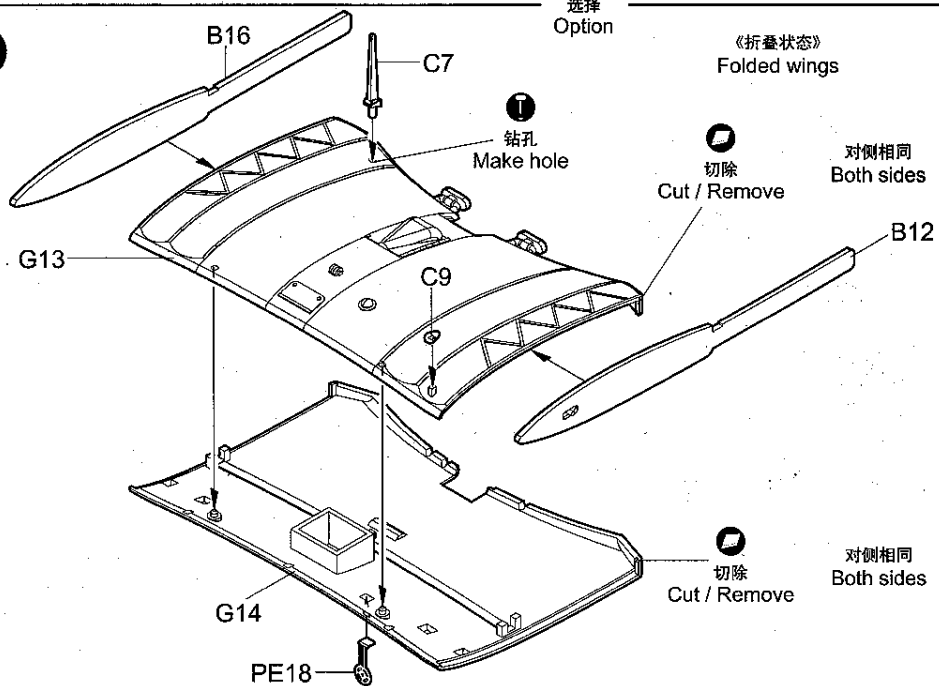


《展开状态》  
Spread wings

①  
钻孔  
Make hole

②  
选择  
Option

11



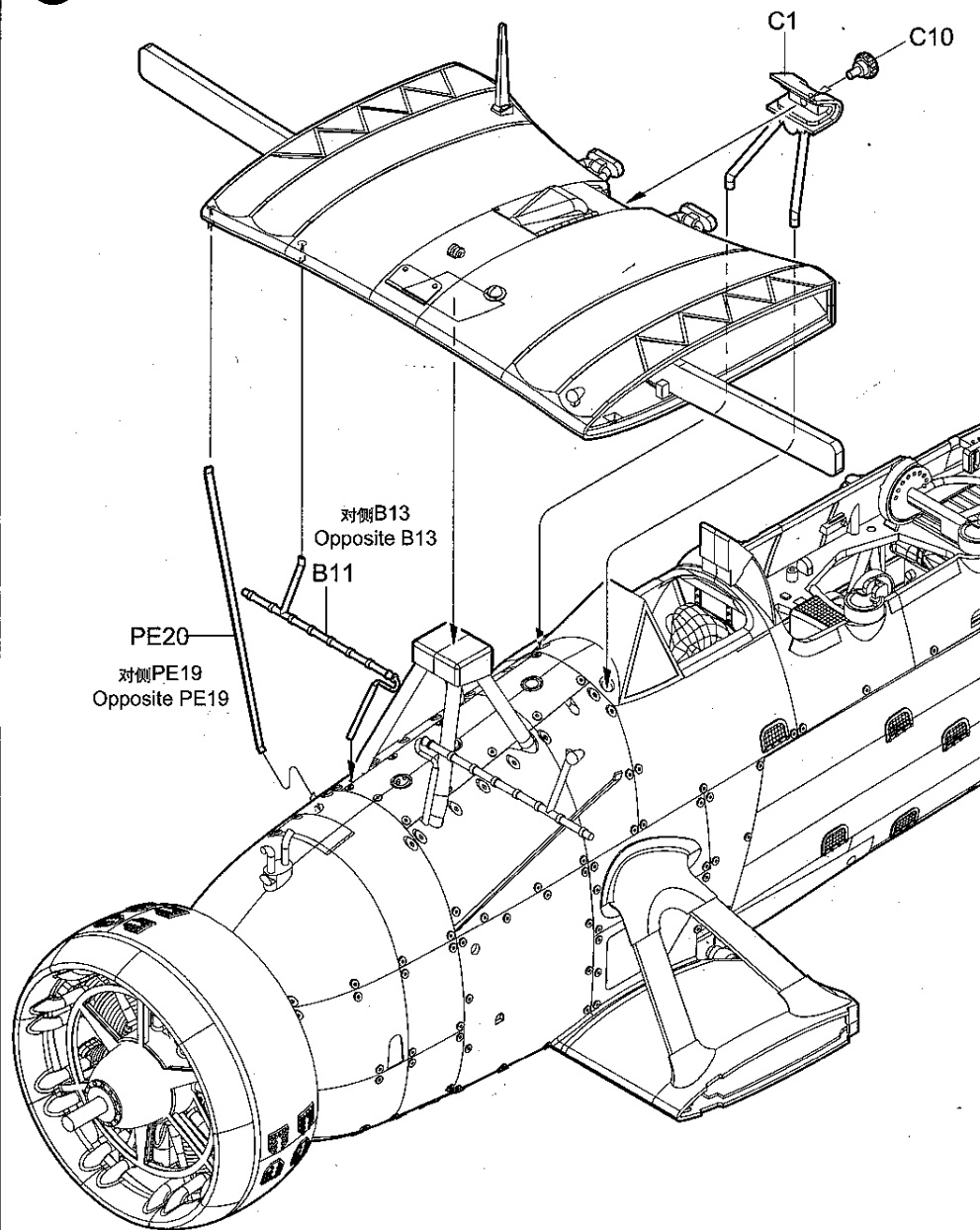
《折叠状态》  
Folded wings

①  
钻孔  
Make hole

②  
切除  
Cut / Remove  
对侧相同  
Both sides

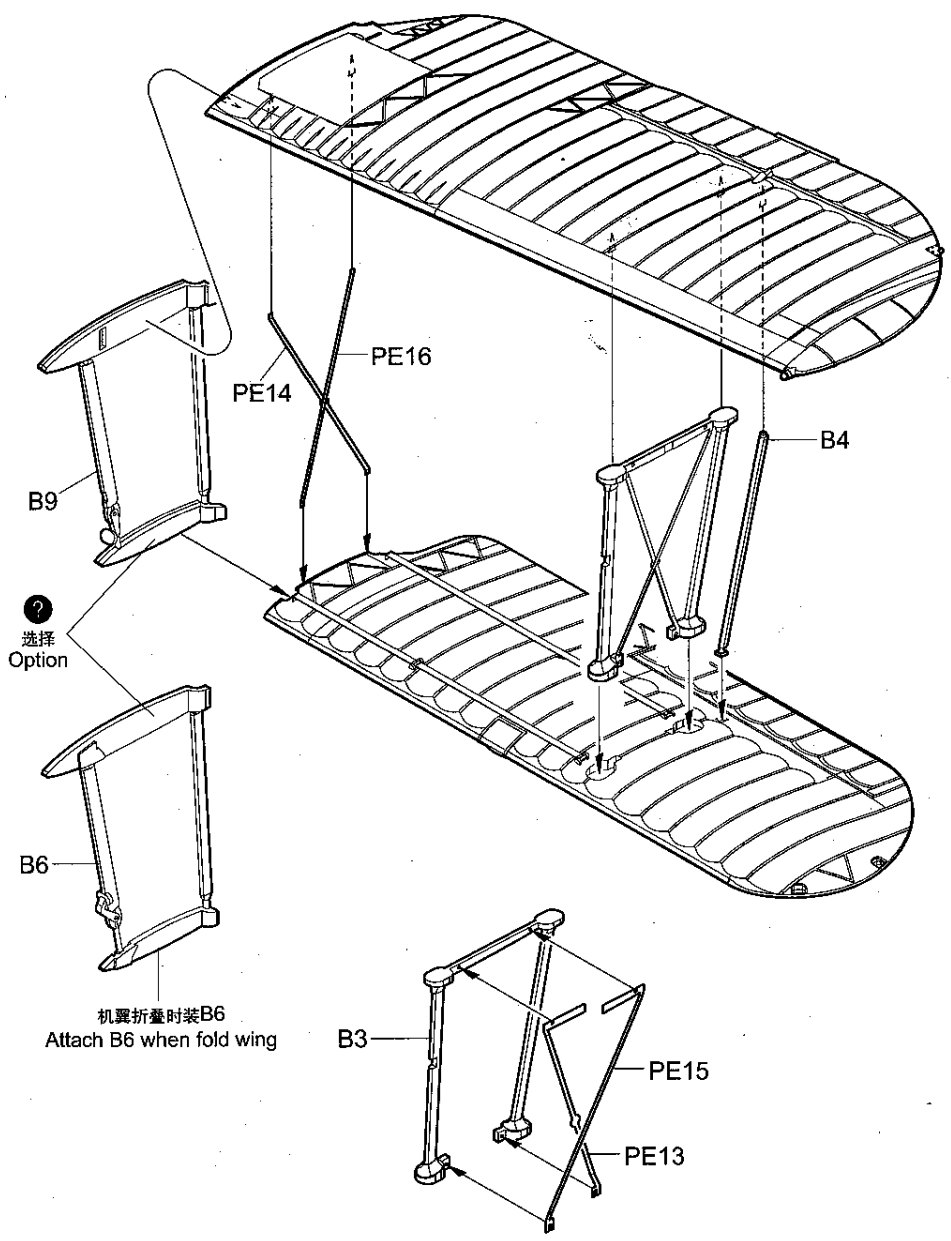
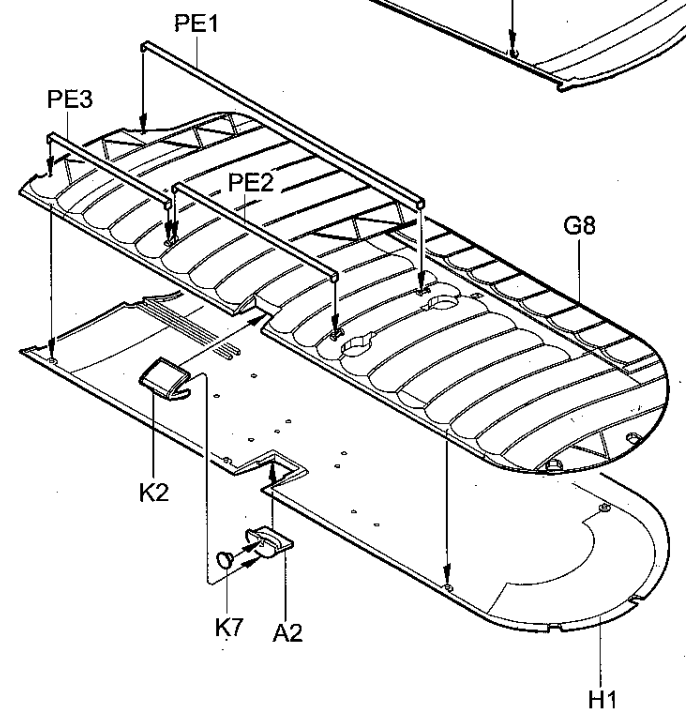
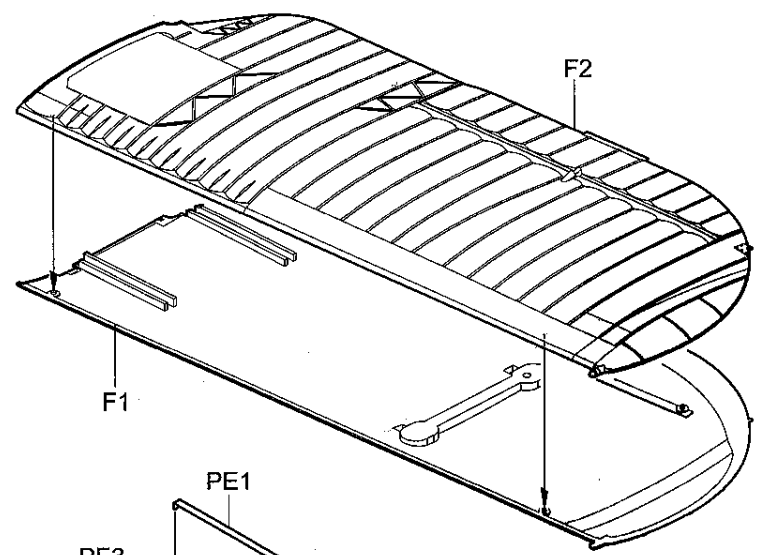
③  
切除  
Cut / Remove  
对侧相同  
Both sides

12



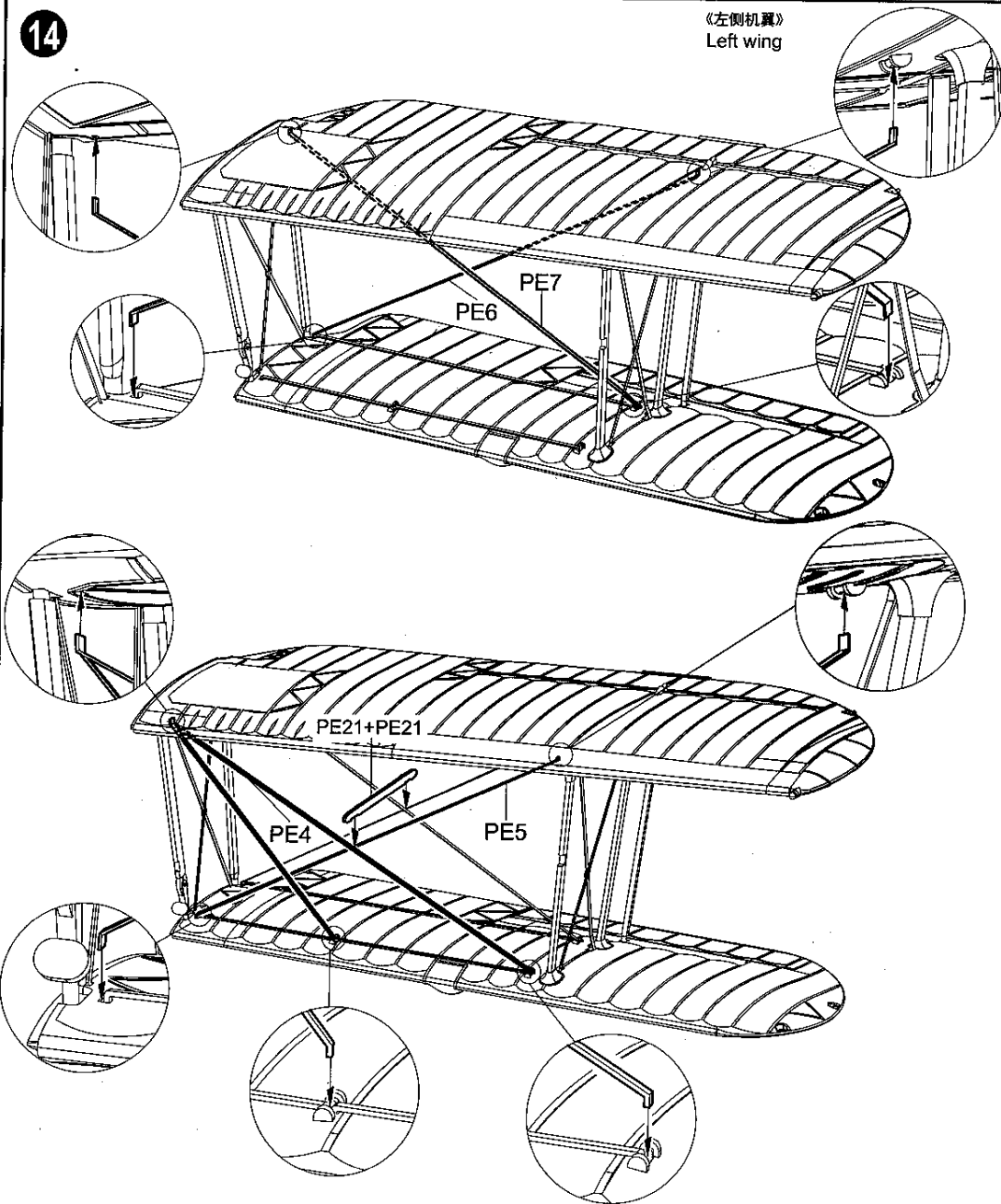
对侧B13  
Opposite B13

PE20  
对侧PE19  
Opposite PE19



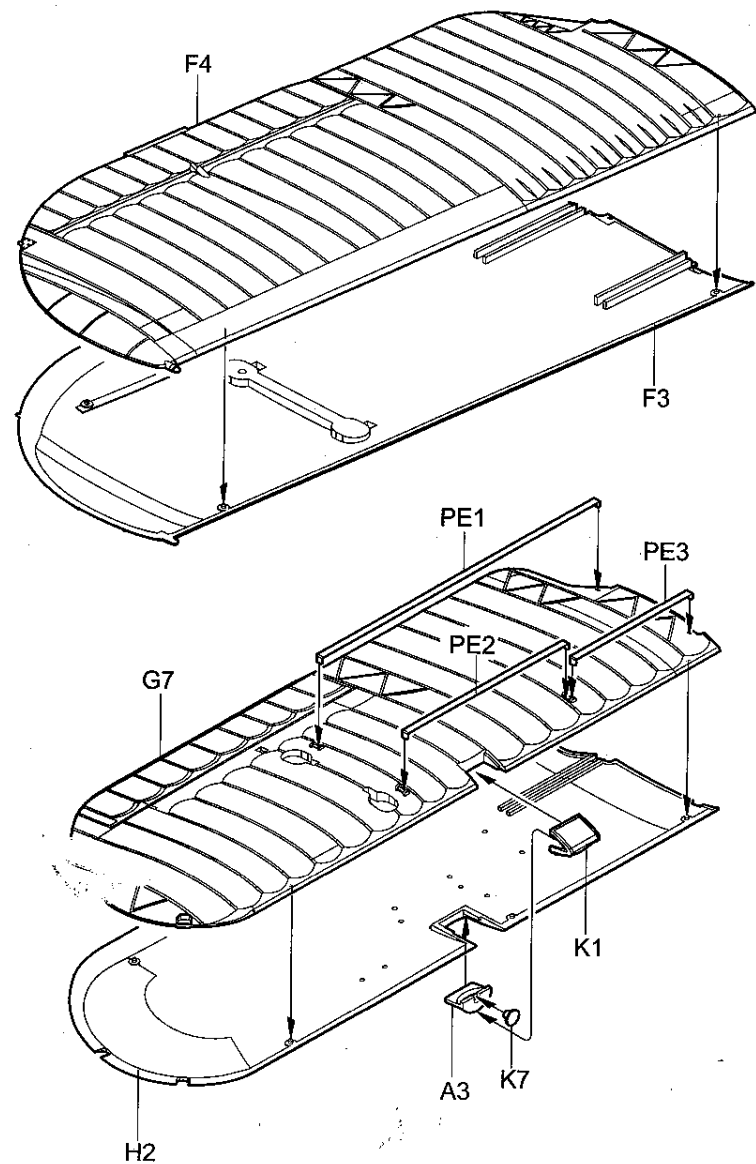
14

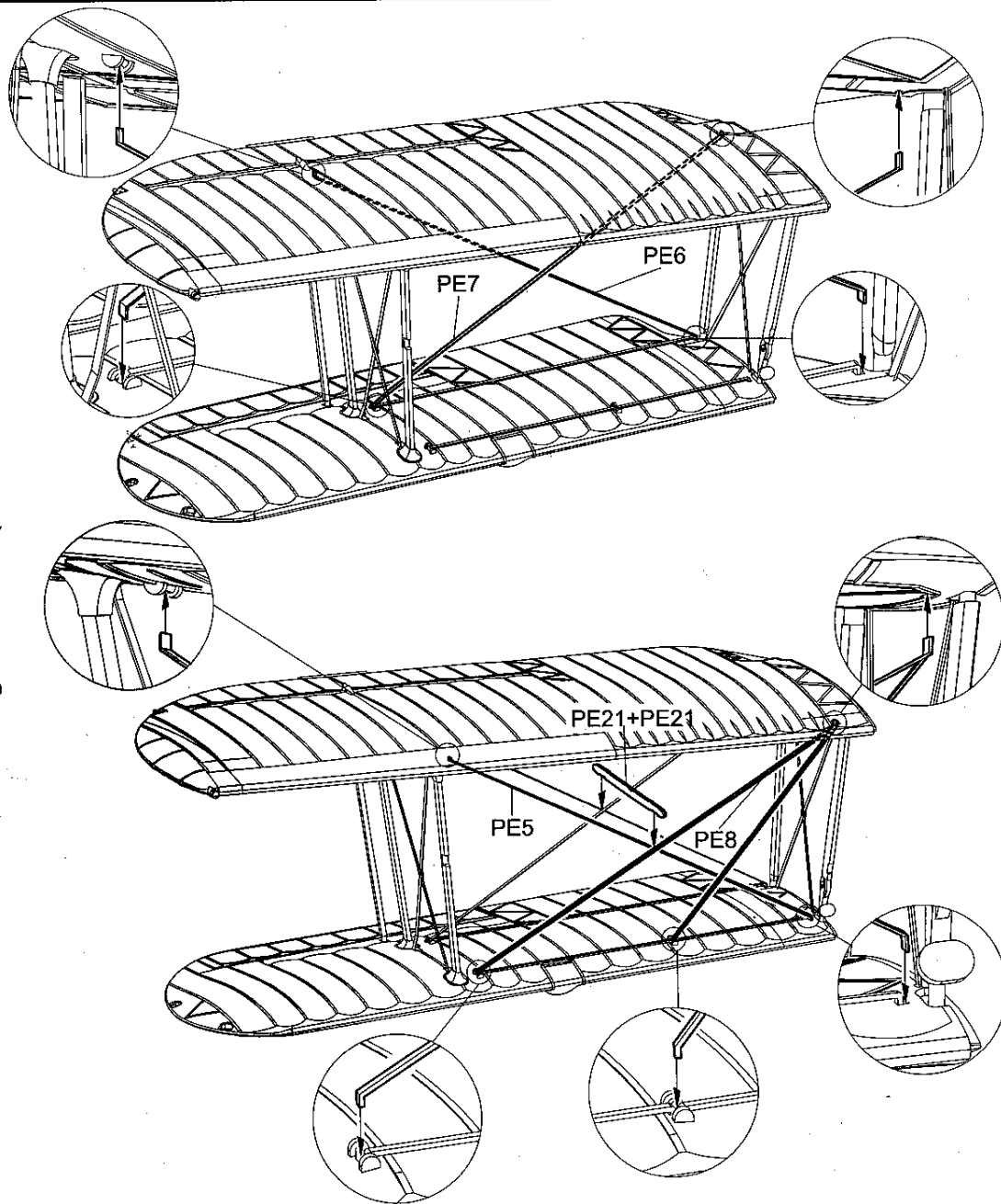
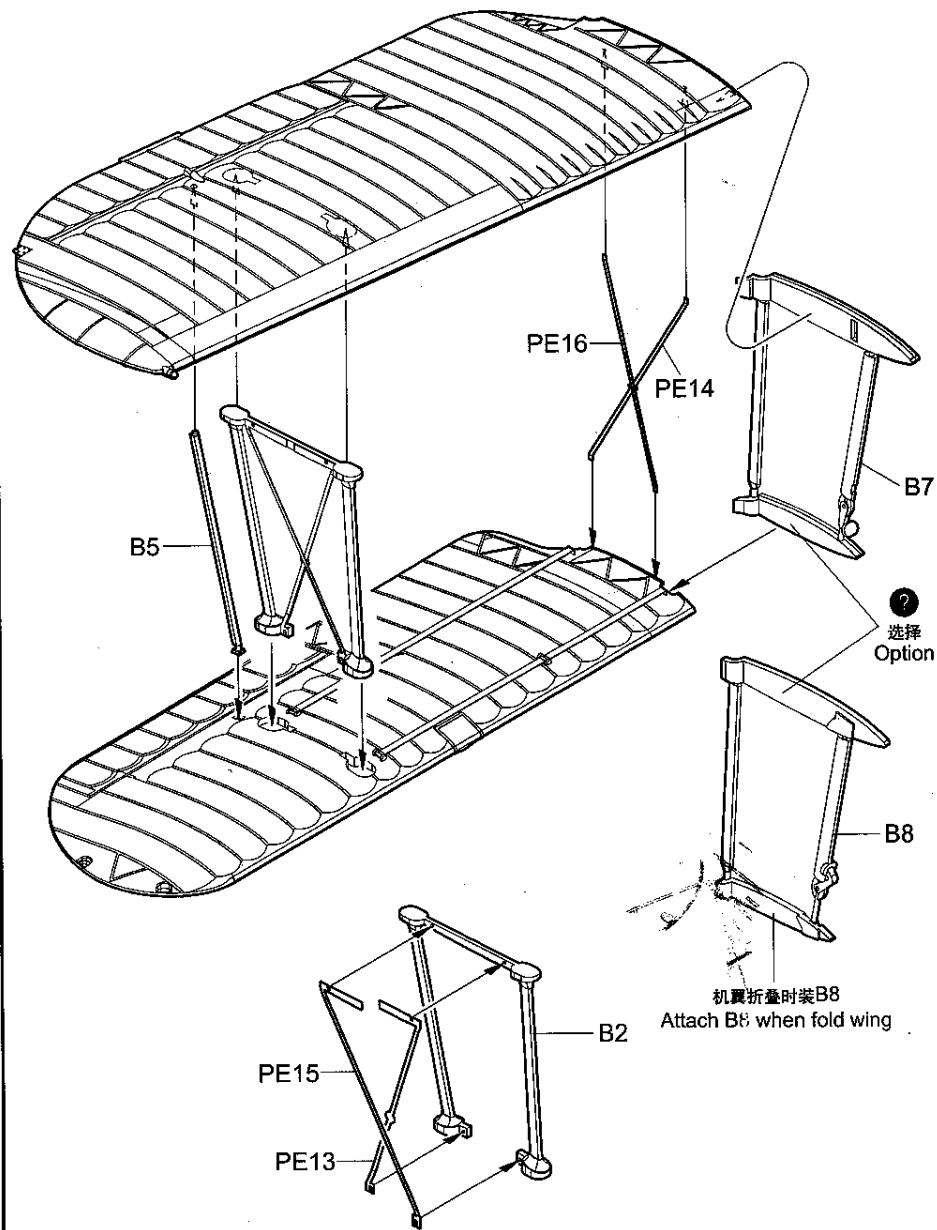
《左侧机翼》  
Left wing

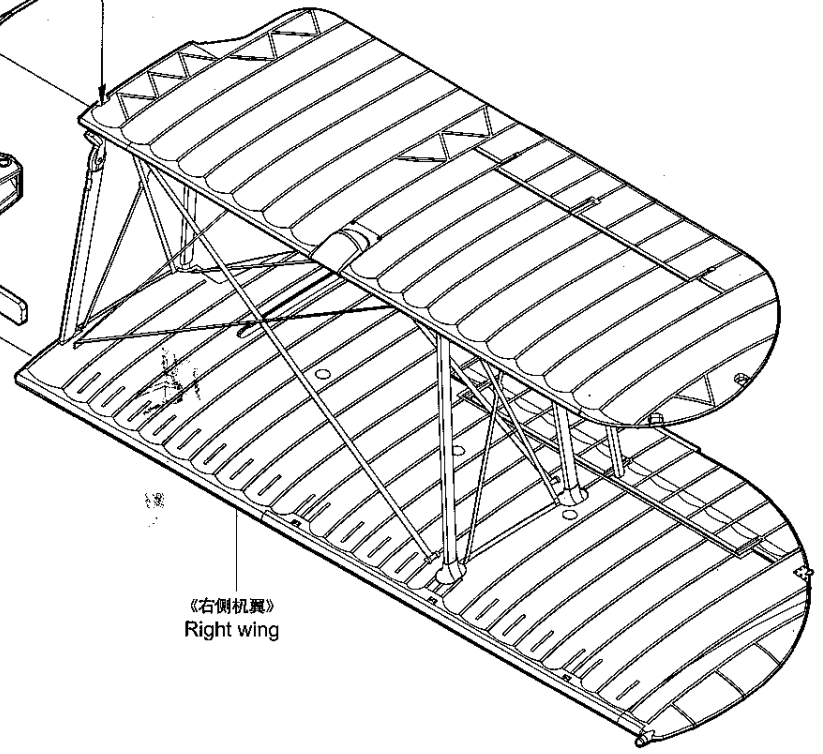
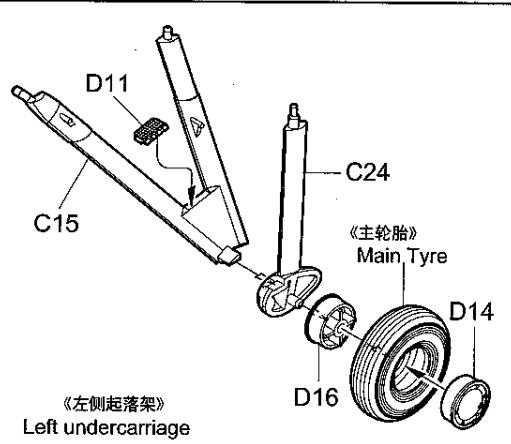
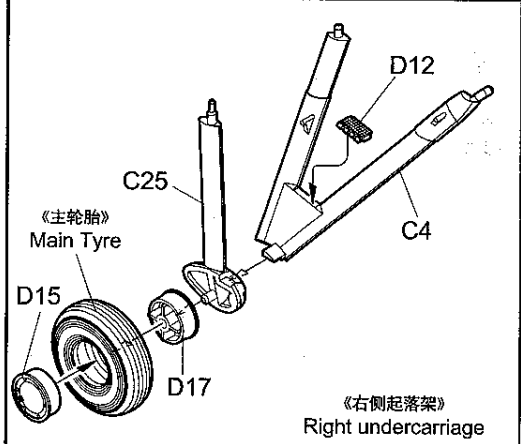
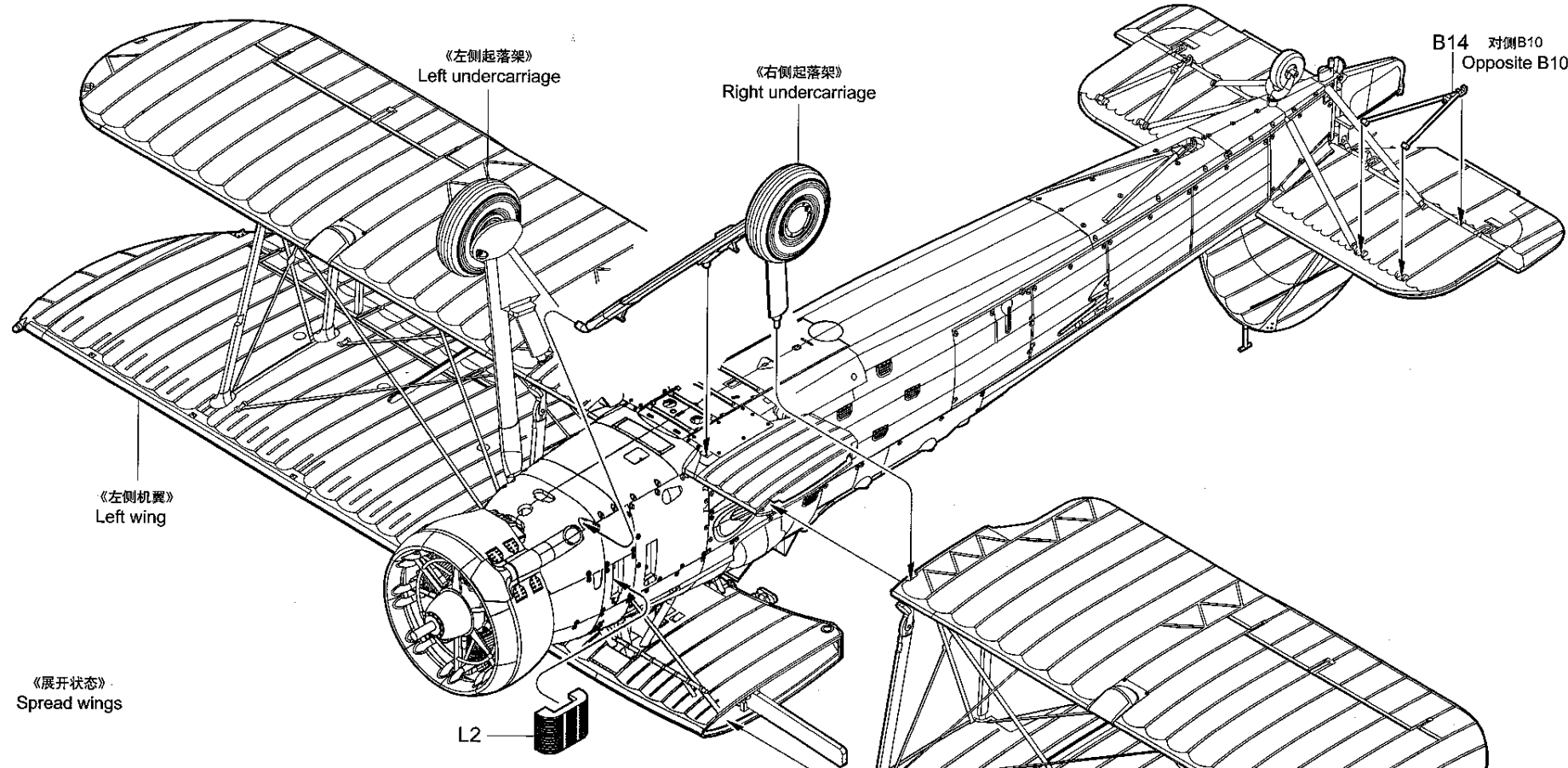


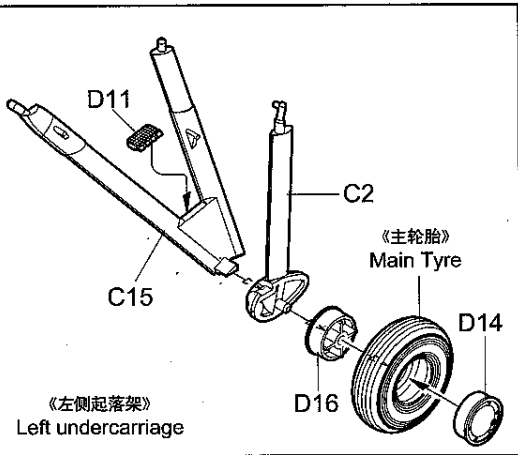
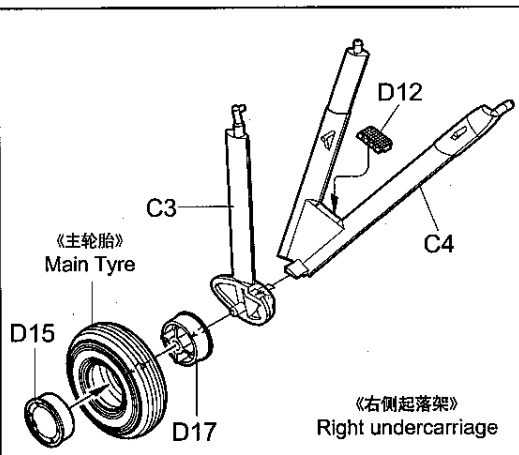
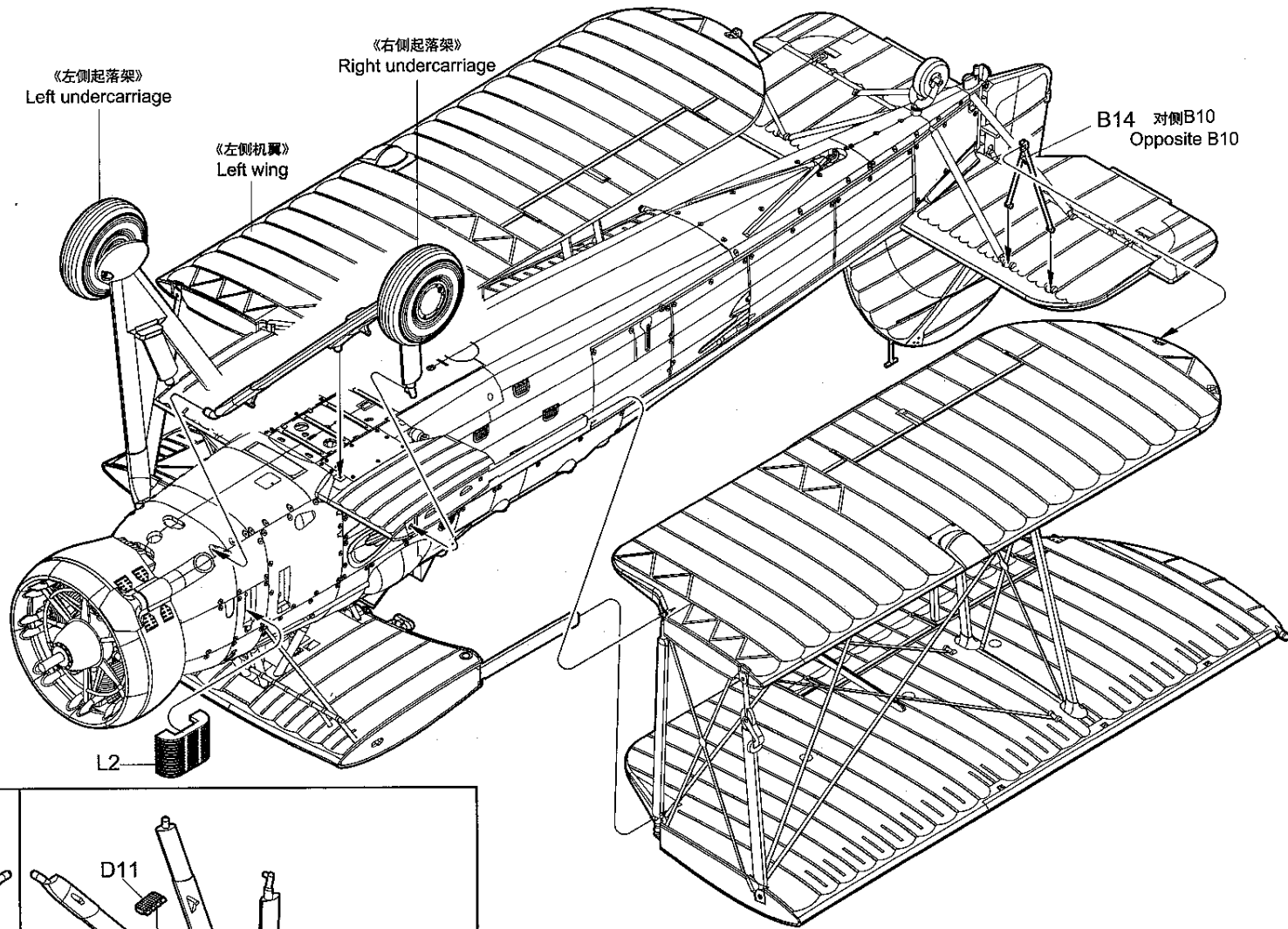
15

《右侧机翼》  
Right wing



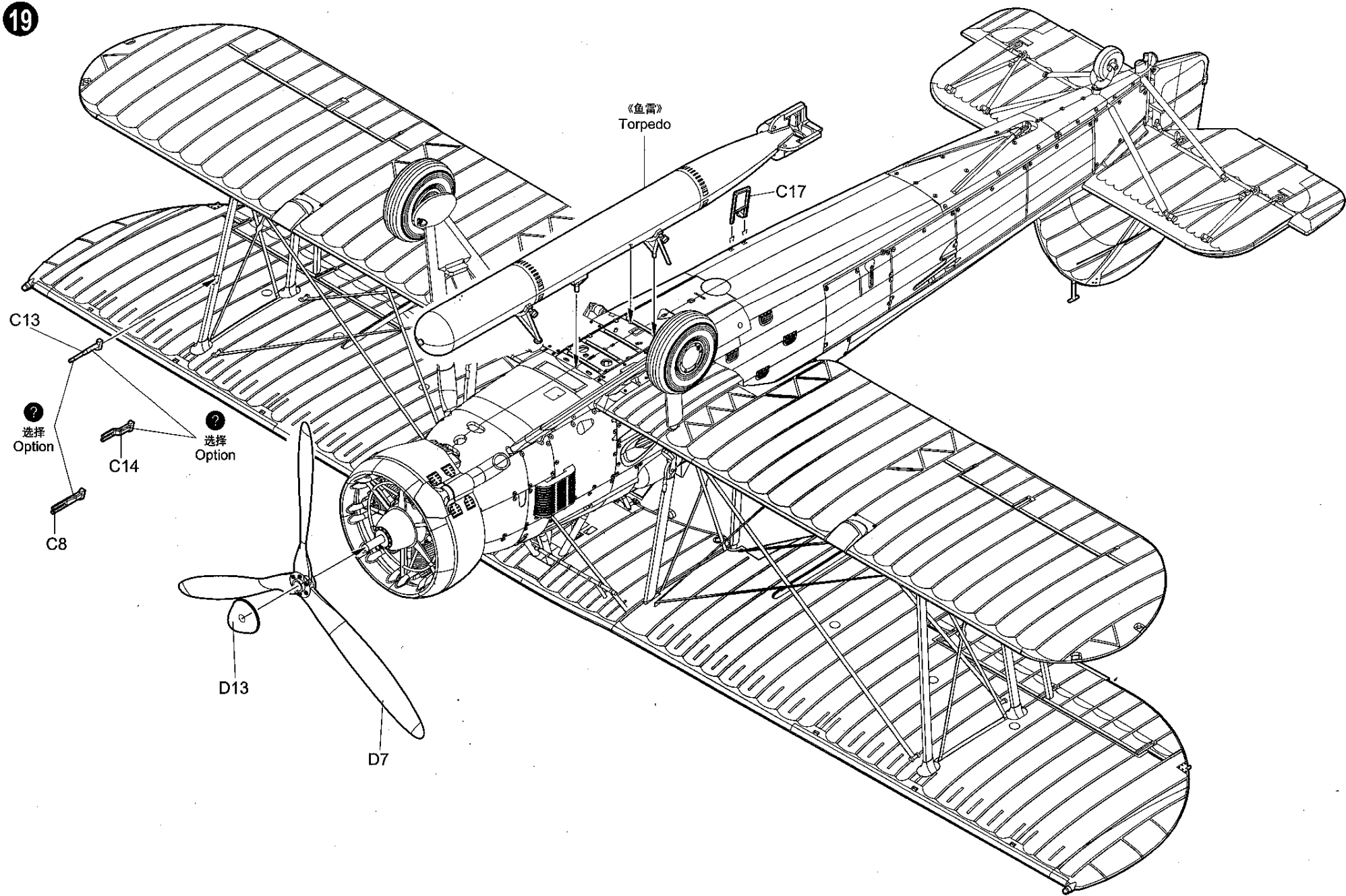






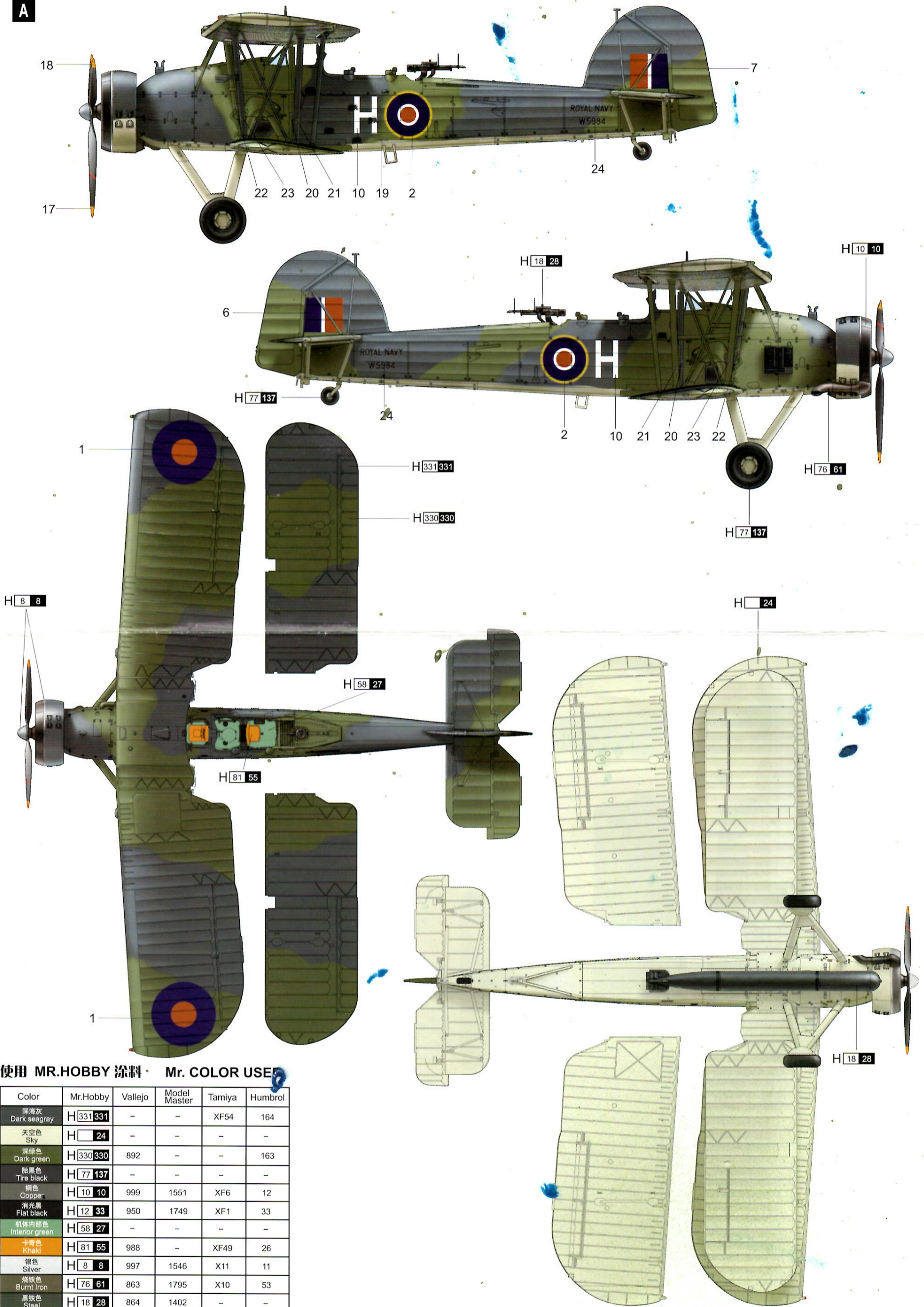
《折叠状态》  
Folded wings

19



涂装同标贴指示  
Painting & Marking guide

A



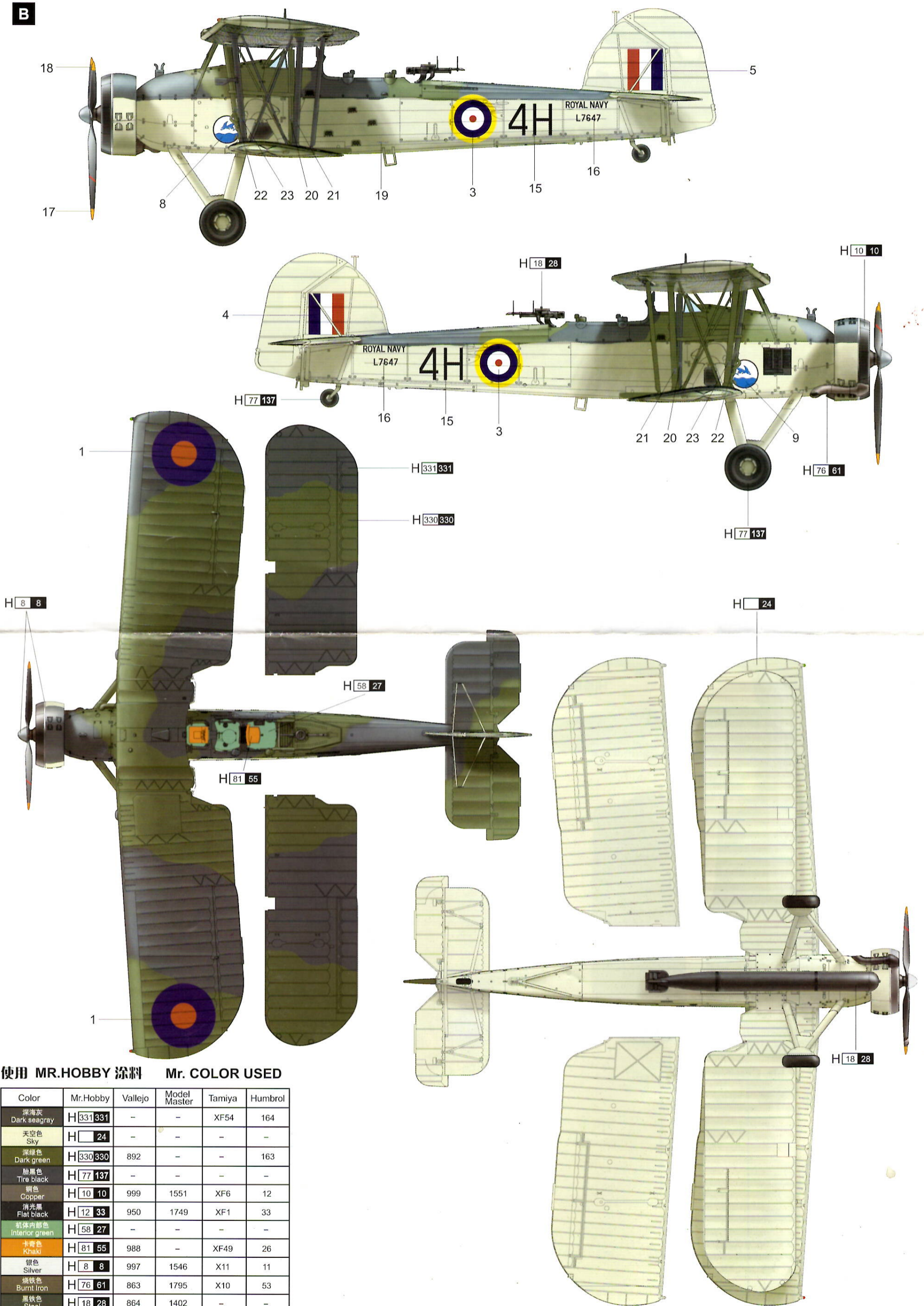
使用 MR.HOBBY 涂料 · Mr. COLOR USE

Color	Mr.Hobby	Vallejo	Model Master	Tamiya	Humbrol
深海灰 Dark seagray	H 331 331	-	-	XF54	164
天空色 Sky	H 24	-	-	-	-
深绿色 Dark green	H 330 330	892	-	-	163
胎黑色 Tire black	H 77 137	-	-	-	-
铜色 Copper	H 10 10	999	1551	XF6	12
消光黑 Flat black	H 12 33	950	1749	XF1	33
机体内绿色 Interior green	H 58 27	-	-	-	-
卡其色 Khaki	H 81 55	988	-	XF49	26
银色 Silver	H 8 8	997	1546	X11	11
烧铁色 Burnt Iron	H 76 61	863	1795	X10	53
黑铁色 Steel	H 18 28	864	1402	-	-

H [ ] AQUEOUS HOBBY COLOR    X [ ] Mr. COLOR

涂装同标贴指示  
Painting & Marking guide

**B**



使用 MR.HOBBY 涂料 Mr. COLOR USED

Color	Mr.Hobby	Vallejo	Model Master	Tamiya	Humbrol
深海灰 Dark seagray	H 331 331	-	-	XF54	164
天空色 Sky	H 24	-	-	-	-
深绿色 Dark green	H 330 330	892	-	-	163
胎黑色 Tire black	H 77 137	-	-	-	-
铜色 Copper	H 10 10	999	1551	XF6	12
消光黑 Flat black	H 12 33	950	1749	XF1	33
机体内部色 Interior green	H 58 27	-	-	-	-
卡奇色 Khaki	H 81 55	988	-	XF49	26
银色 Silver	H 8 8	997	1546	X11	11
烧铁色 Burnt Iron	H 76 61	863	1795	X10	53
黑铁色 Steel	H 18 28	864	1402	-	-

H [X] AQUEOUS HOBBY COLOR      [X] Mr. COLOR