

# HMS Repulse 1941

## 1:350 SCALE

## 英国战列巡洋舰反击号1941年

### READ BEFORE ASSEMBLY:

- This kit is not recommended for inexperienced modelers or for children under 14 years of age
- Study and understand these instructions thoroughly before beginning assembly
- When needed, remove photo-etch parts carefully using a modeling knife or photo etch sprue cutter, being careful not to damage or lose small parts.
- Take extra care in handling photo etch parts in order to avoid injury
- Apply instant cement sparingly to photo etch parts where instructed

- Tools recommended(not included in kit):Plastic and instant cements,sprue cutters,long nose pliers,modeling knife, small files, tweezers, pin vise & scissors. Soft cloth and sandpaper will also assist in construction
- Glue and paint are not included in the kit. Use plastic cement and hobby paints only. Color guide for purchasing paint is included in the kit.
- Keep out of reach of children. They must not be allowed to ingest small parts or handle plastic bags in any way.

### 装配之前仔细阅读

- 小心用模型锉刀锉平所有零件表面的注射浇口。
- 小心用刀片切下蚀刻片零件,不要遗失小零件。
- 用强力快干胶水粘合蚀刻片零件和金属轴。过量的快干胶水使用可能导致可动零件会粘住,小心涂胶。
- 取蚀刻片时应特别注意安全,防止利刃划伤手指。
- 某些零件表面需贴上火贴纸,请选择在装配的同时进行。
- 推荐模型工具(自备):胶水,水口剪刀,长咀钳,刀片,锉刀,镊子钳,钻,剪刀,瞬间快干胶。
- 软布同砂纸同时也应该是必备工具。
- 请使用塑料胶水和油漆,模型内不含。
- 谨防小孩吮吸塑料零件,或者将塑料袋套在头上,制作时应将套材远离小孩接触。
- 本产品不适合14岁以下没有经验的模型爱好者。

### 水贴纸的使用:

- 1.从水贴纸上剪下印花;
- 2.将印花放入温水中浸10秒,然后放在干净布上。
- 3.拿着印花纸版将印花移到模型上;
- 4.手指蘸水将印花移到适当的位置;
- 5.用软布轻压印花直至水干,气泡消失。

### DECAL APPLICATION:

- 1.Cut decals from sheet as needed
2. Dip the decal in warm water for about 10 seconds and then place on soft clean cloth.
3. Hold the decal backing sheet edge and gently slide the decal onto the model in its proper position.
4. While still wet,decal can be adjusted for better fit on model by dampening it gently with your finger.
5. When placed in the proper position,gently press decal down with a soft cloth until excess water and air bubbles are gone.
6. Allow decal to dry completely before handling model



使用强力胶



配重



钻孔



切除



贴纸



锉平



选择



不涂胶水



弯曲

Cyanoacrylate glue 重量

Make hole 钻孔

Cut / Remove 切除

File / Sand 锉平

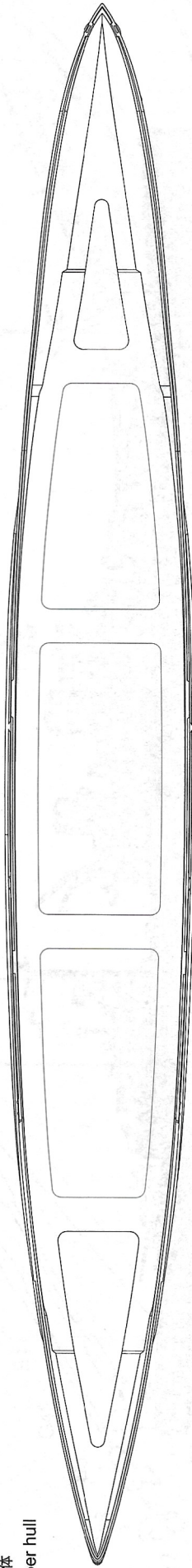
Option 选择

No cement 不涂胶水

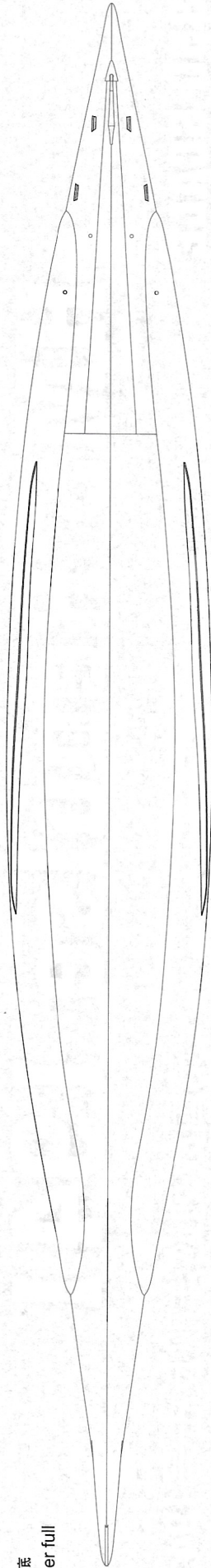
Bend 弯曲

部品图  
Parts

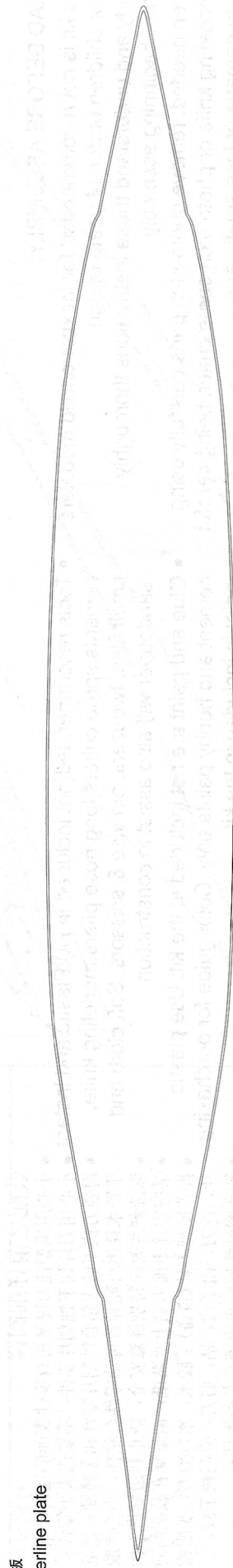
上船体  
Upper hull



下船底  
Lower full



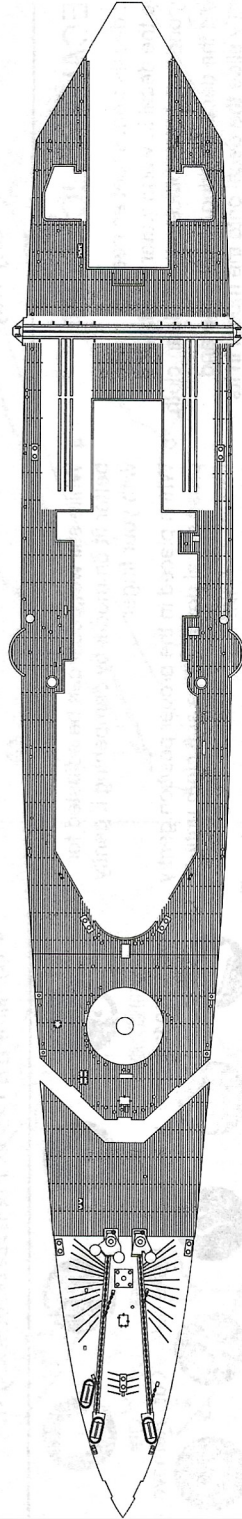
水线板  
Waterline plate



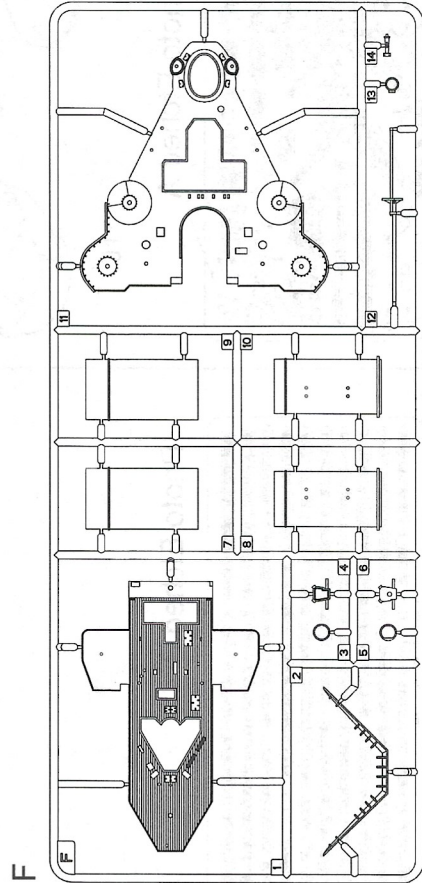
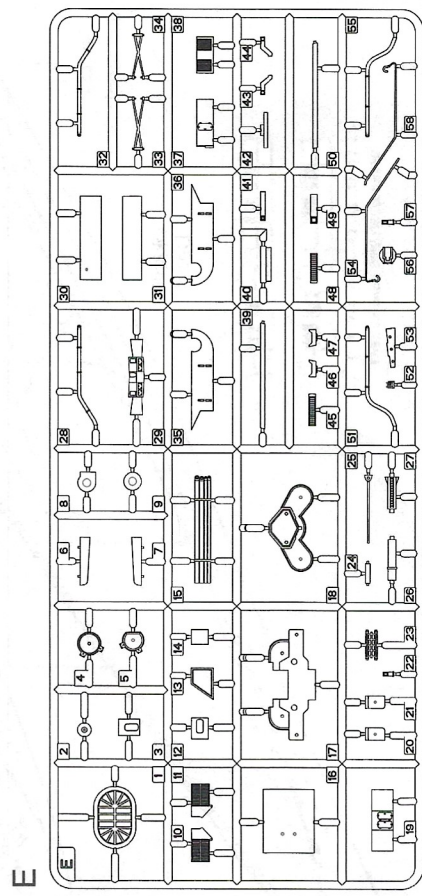
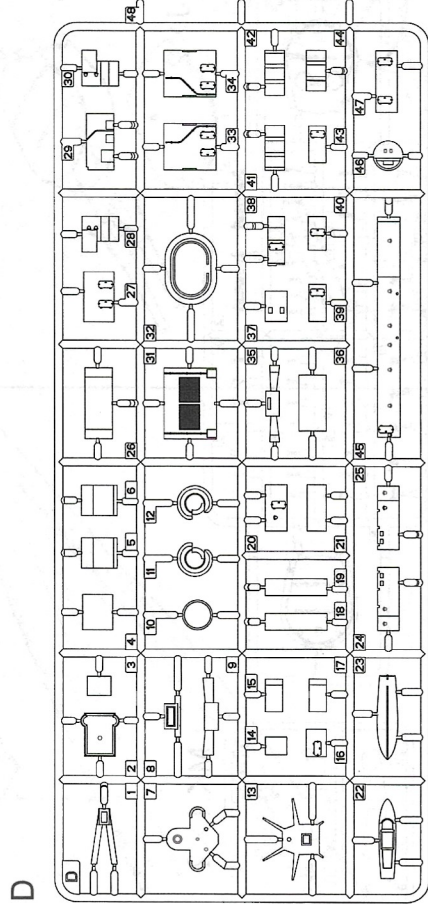
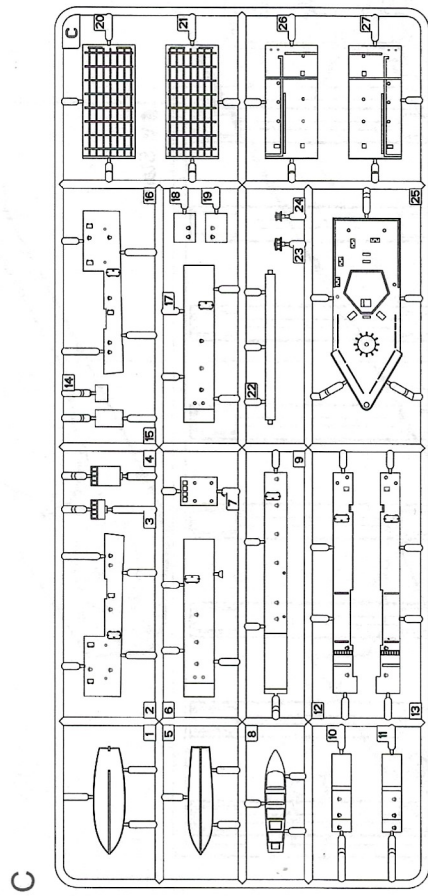
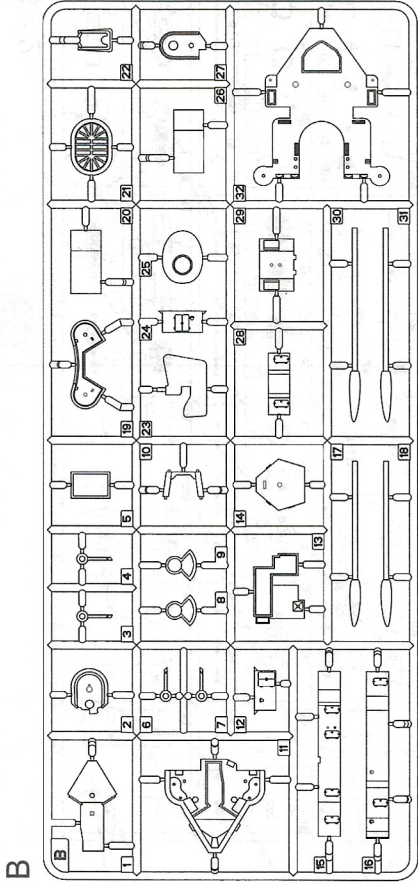
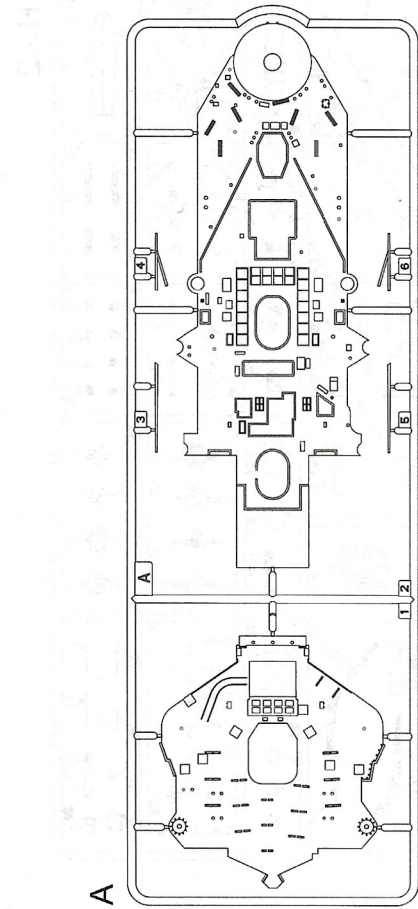
前甲板  
Fore deck

中甲板  
Center deck

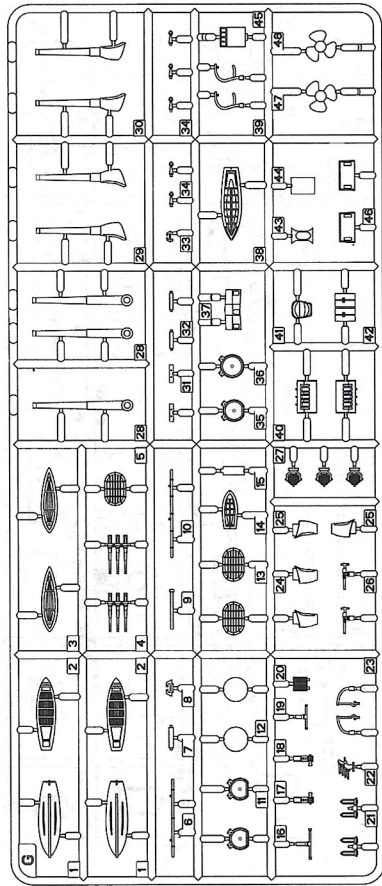
后甲板  
Rear deck



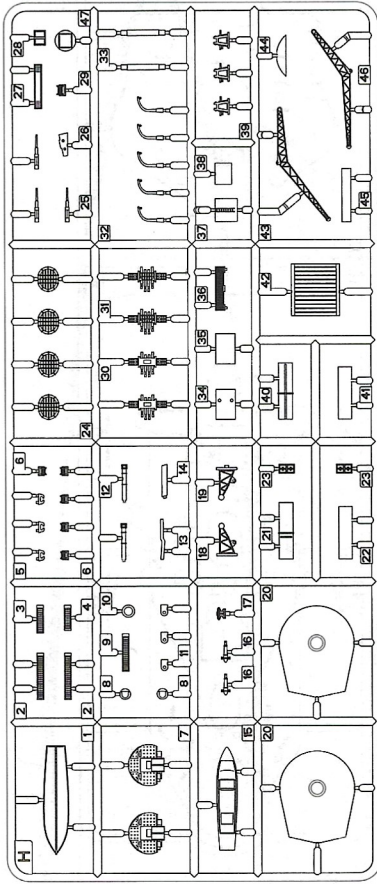
1:350 SCALE BATTLE CRUISER  
HMS REPULSE



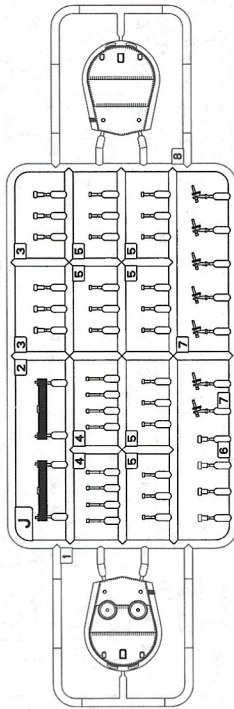
G×2



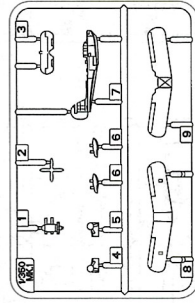
H×2



J×2



MK.1×2



座架 Stand

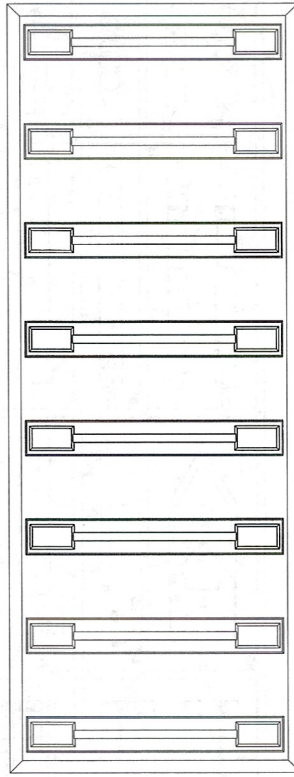


Photo Etched A

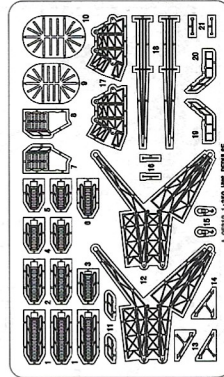
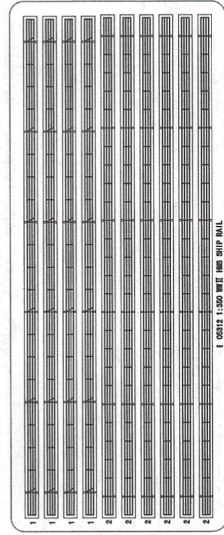
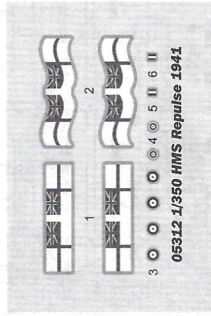


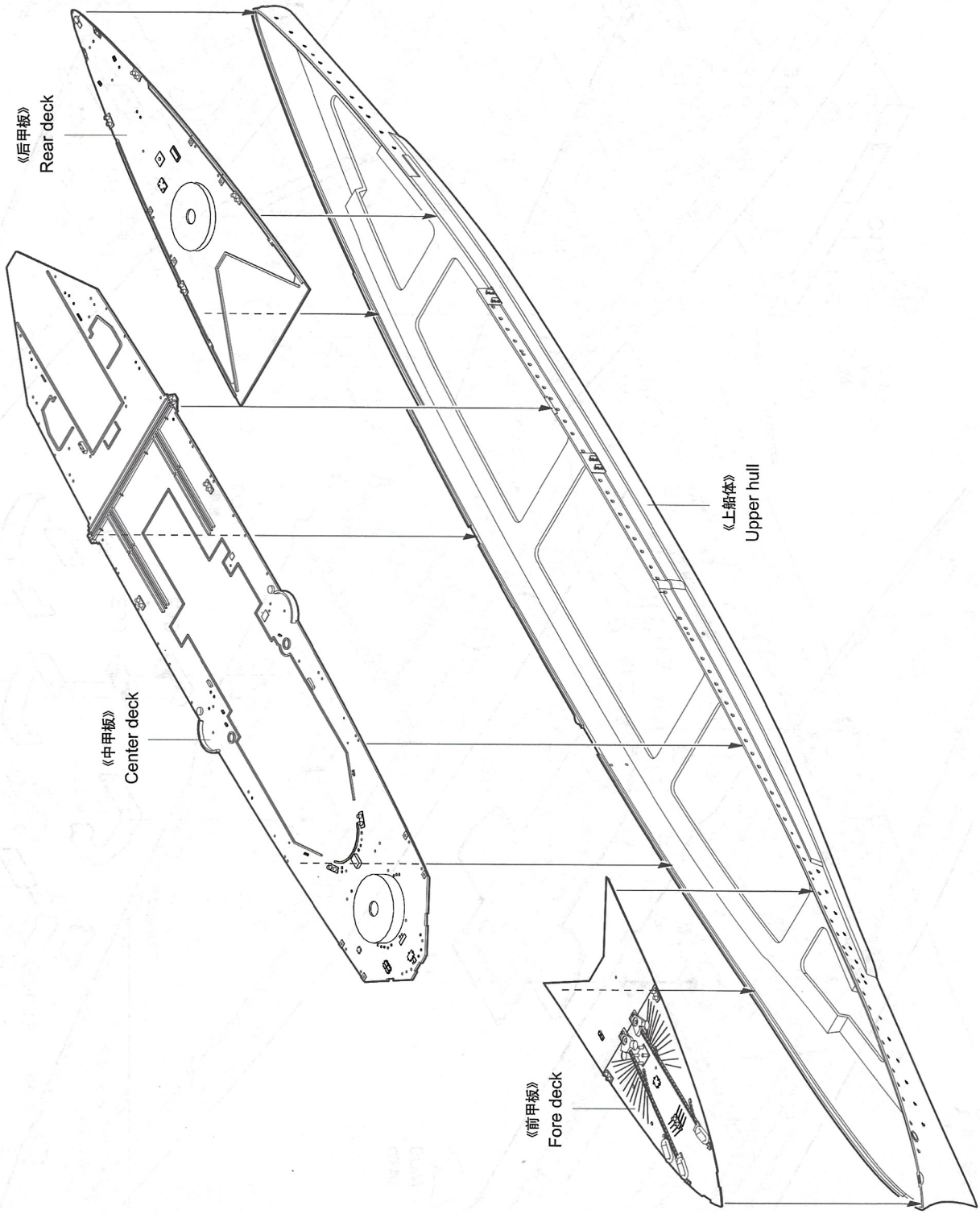
Photo Etched B×2



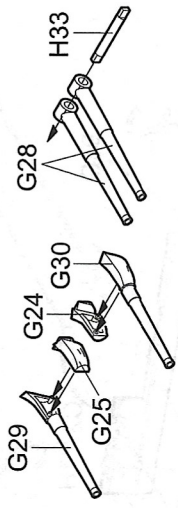
《水贴纸》  
Decal



1



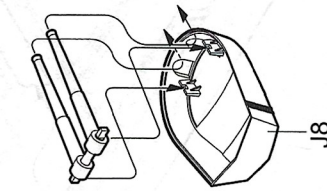
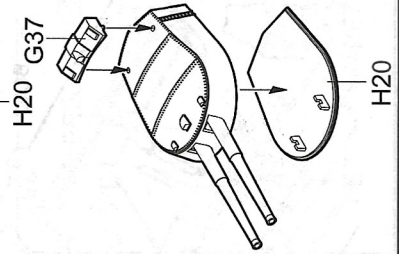
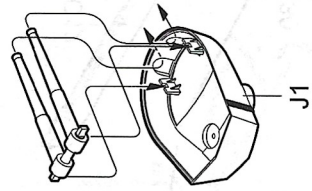
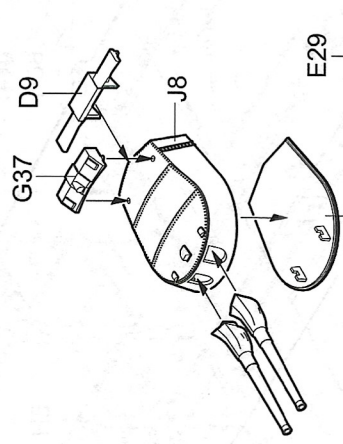
2

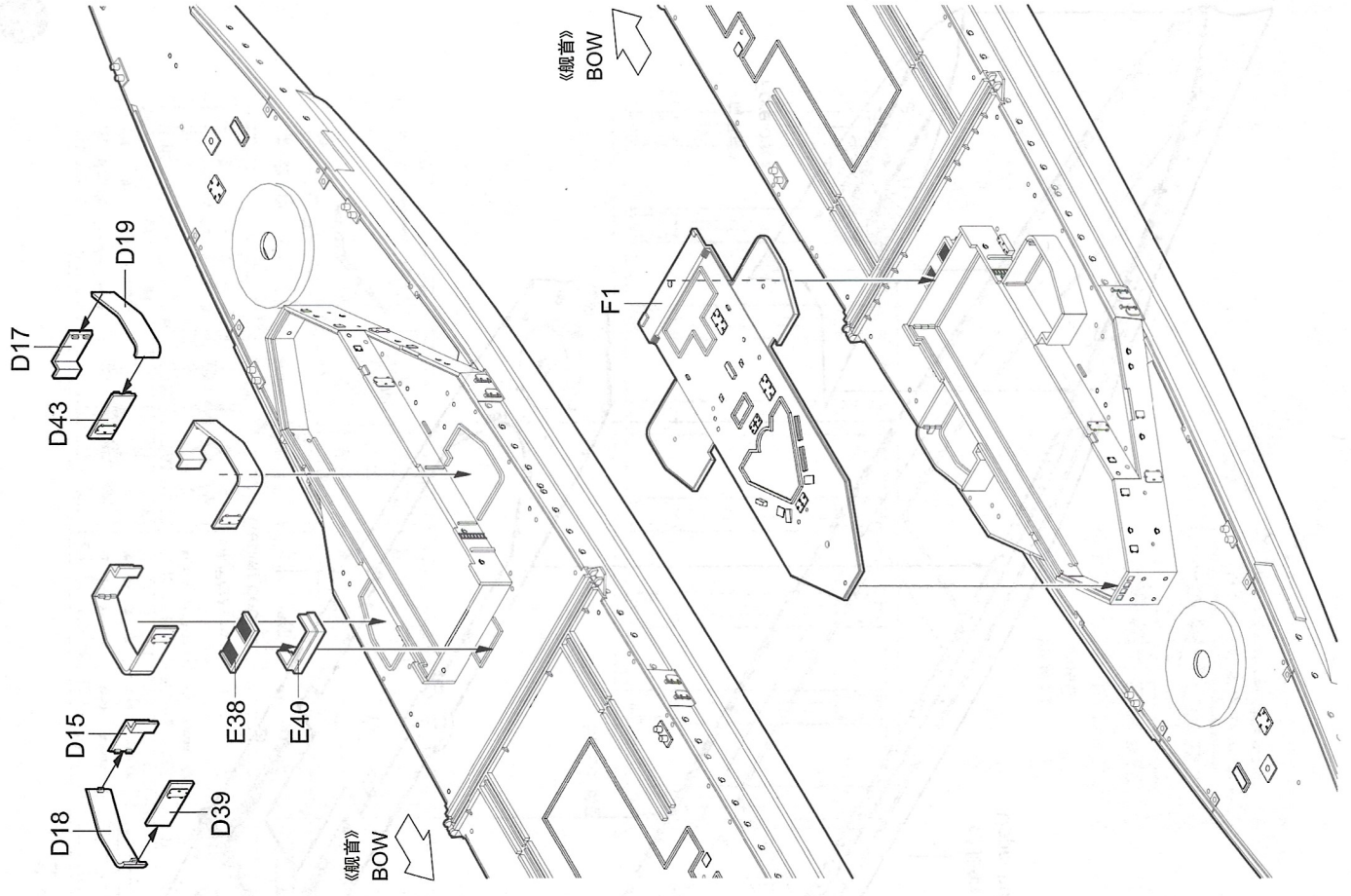
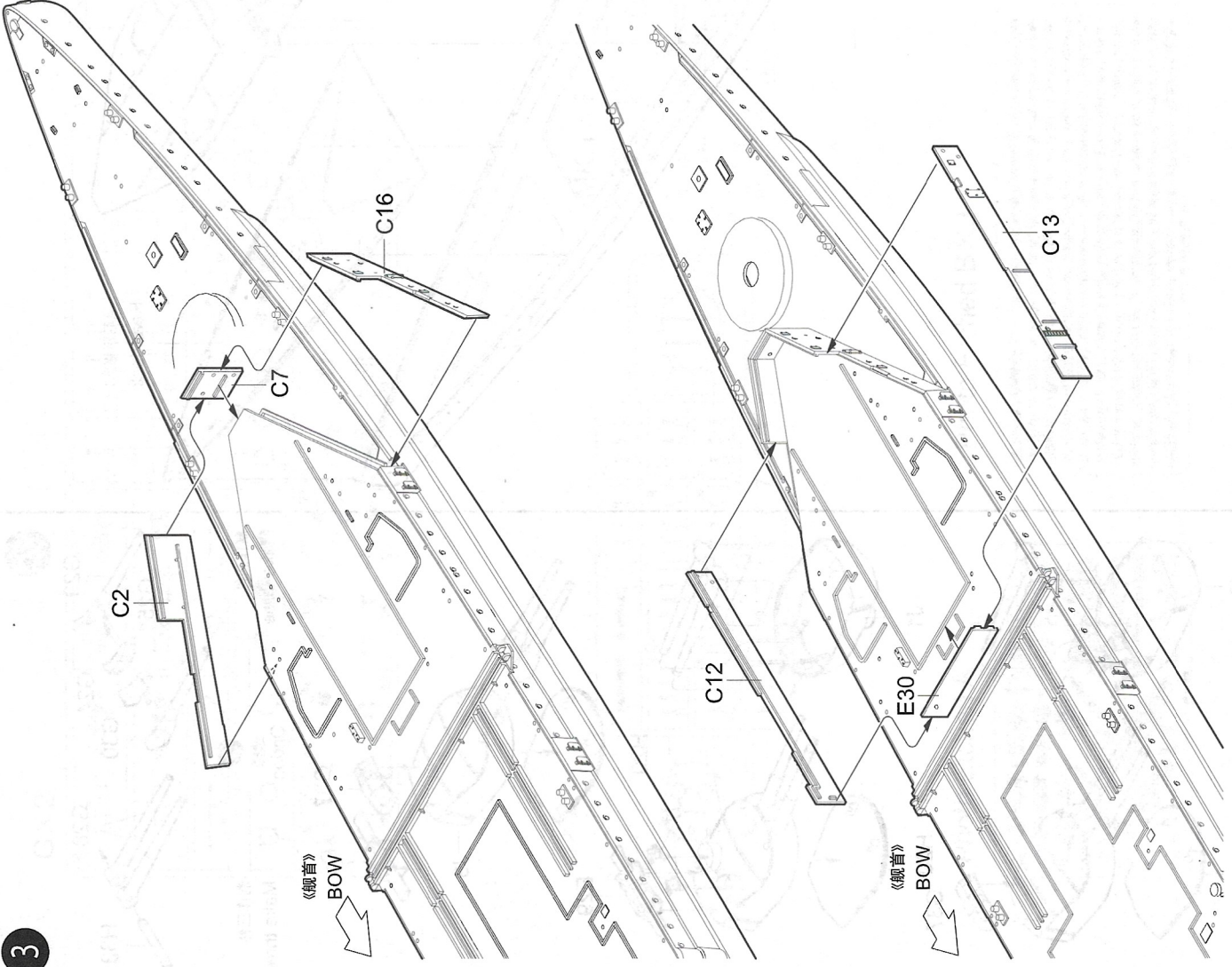


制作三件  
Make three

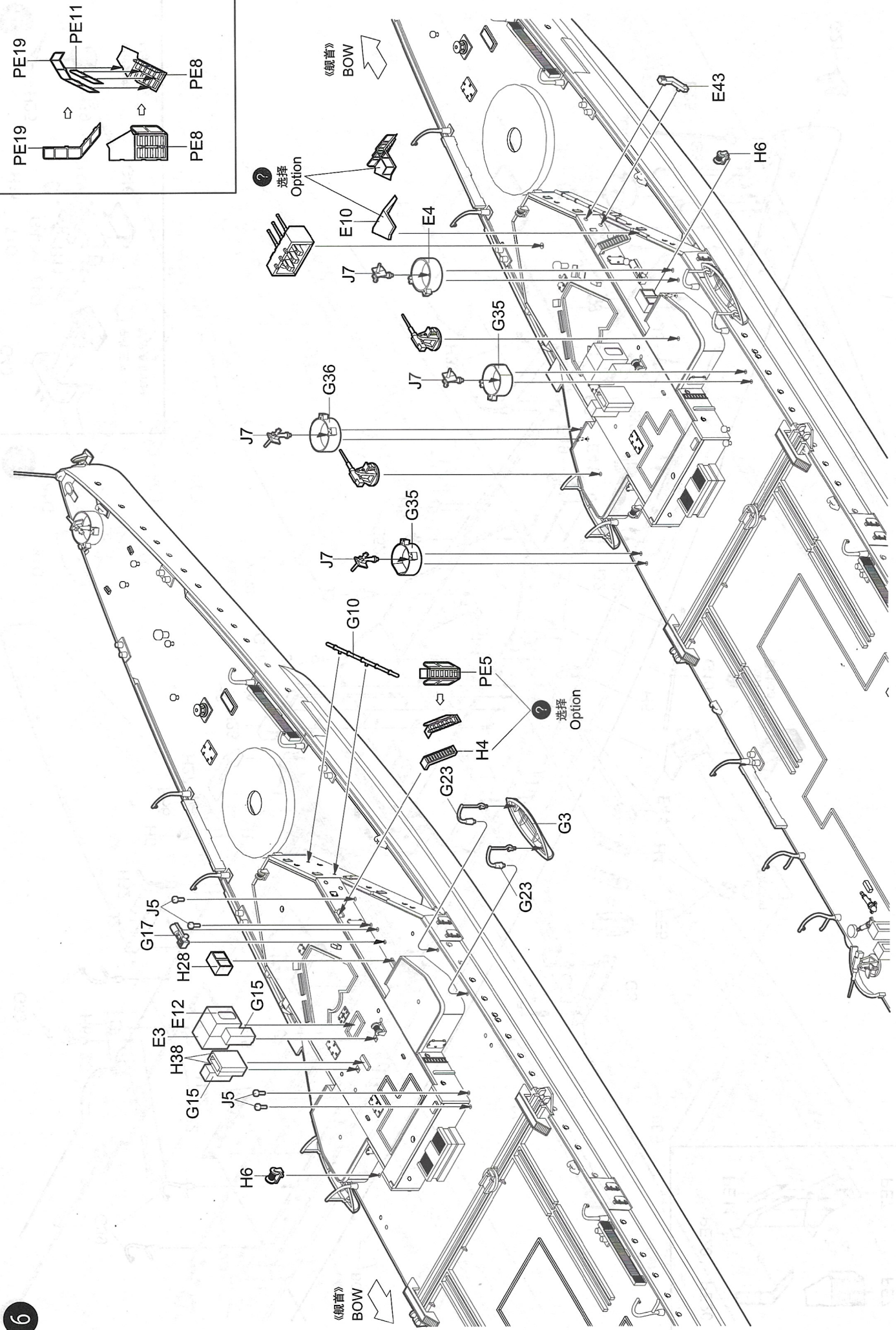
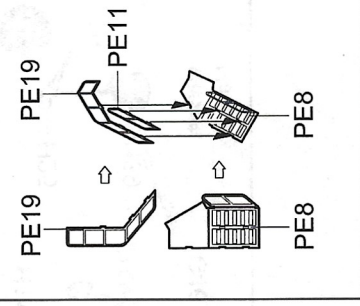
选择  
Option

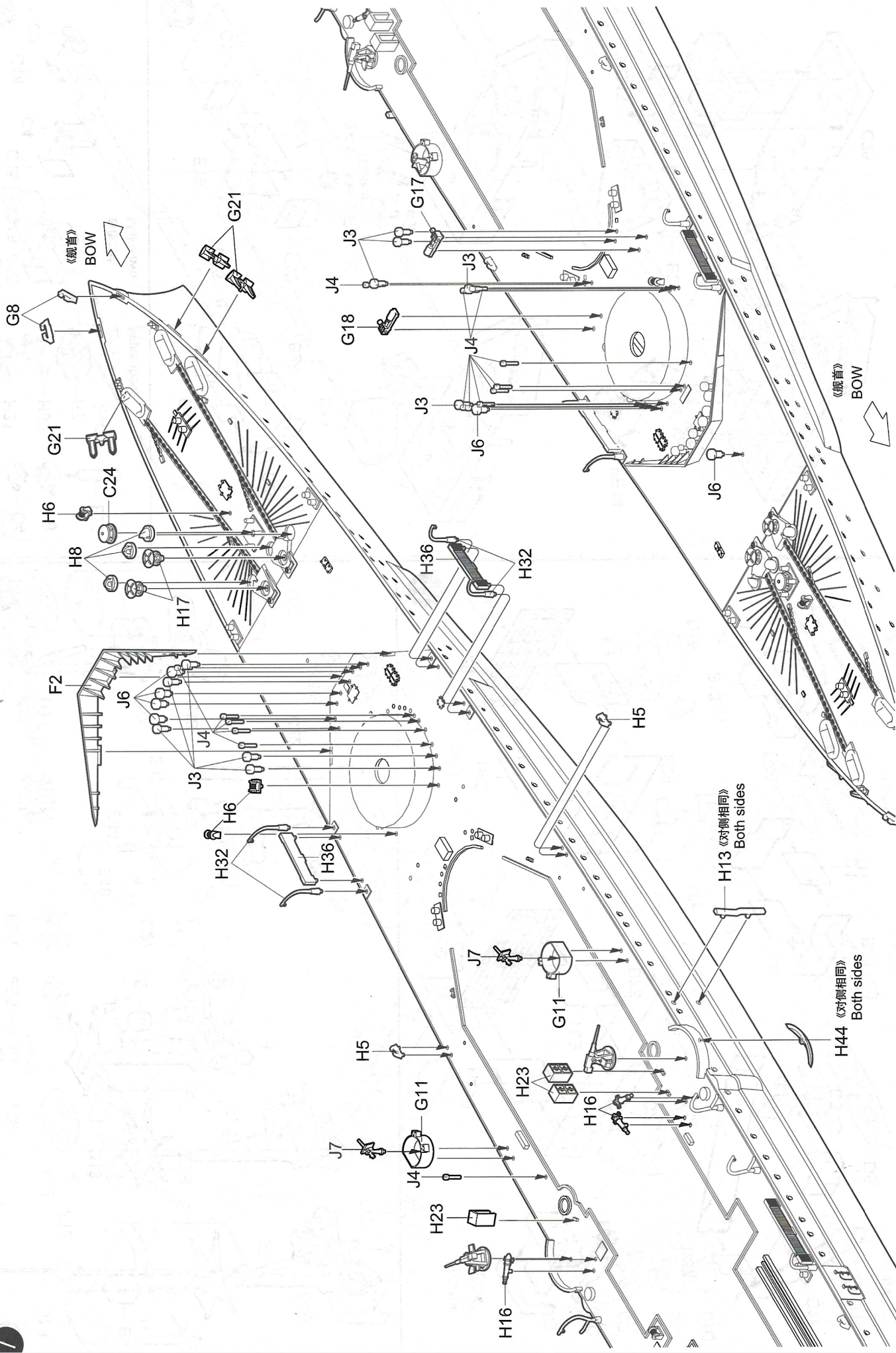
制作三件  
Make three





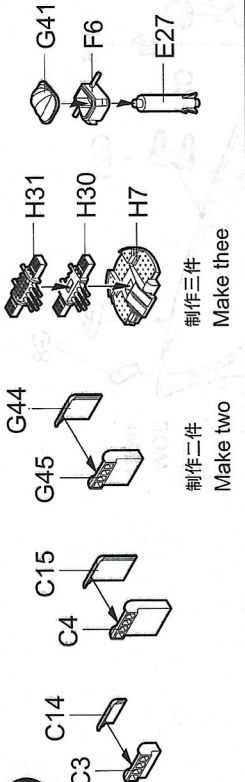






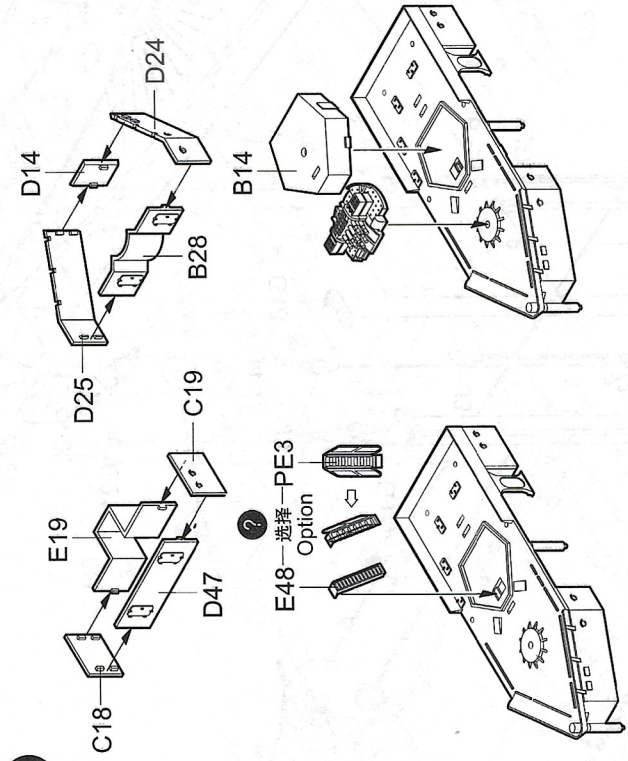
H13 《对称相同》  
Both sides

H44 《对称相同》  
Both sides

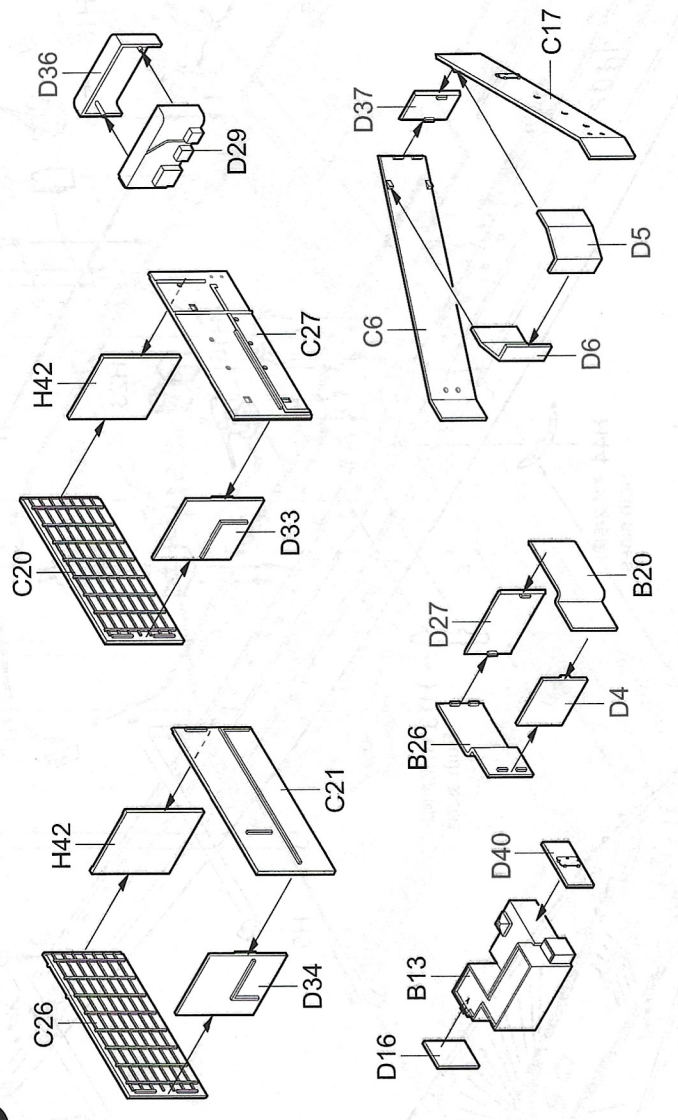
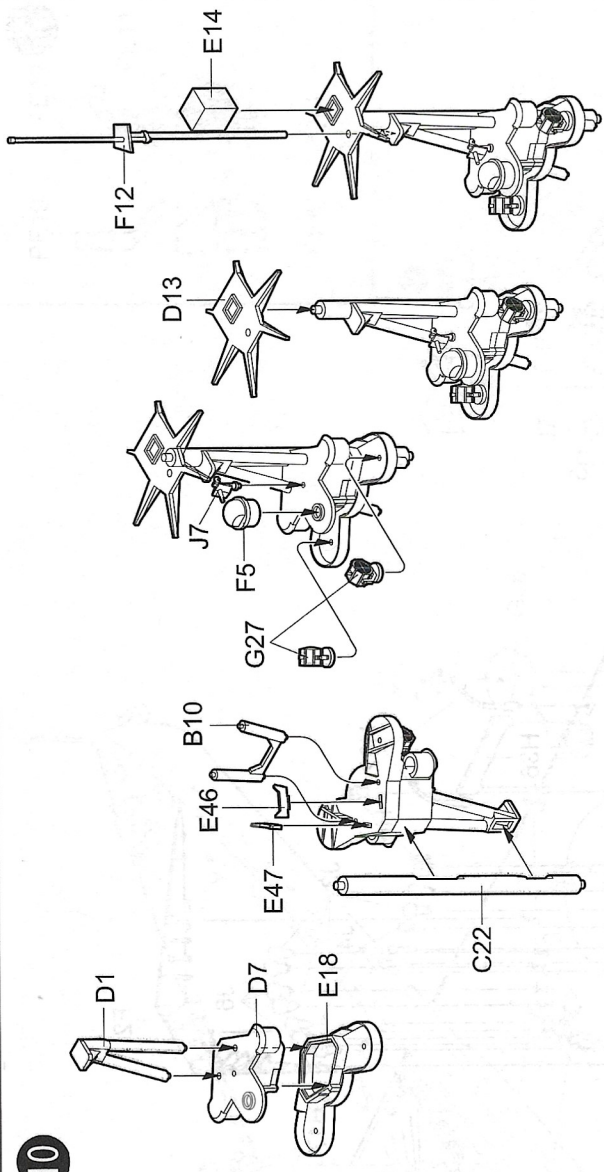


制作三件  
Make three

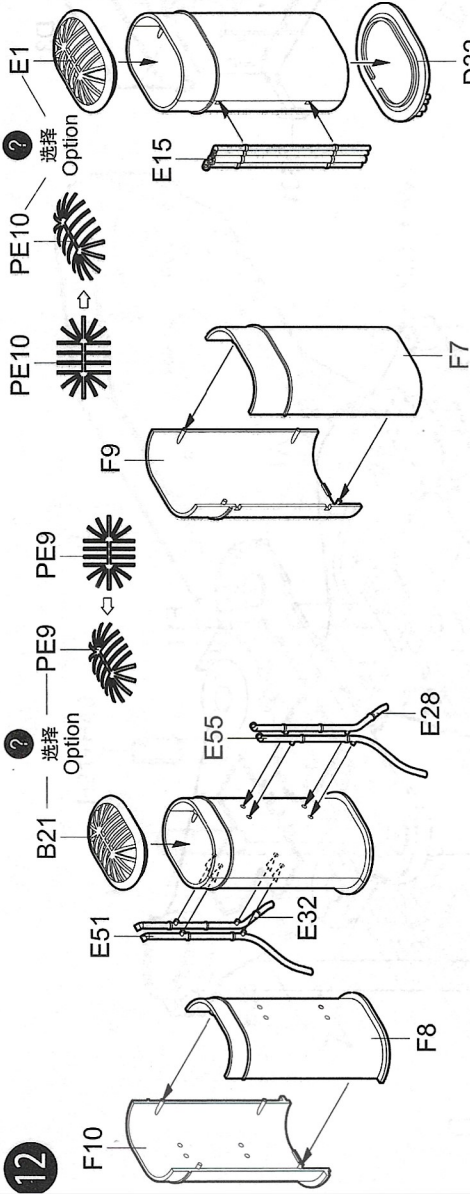
制作二件  
Make two



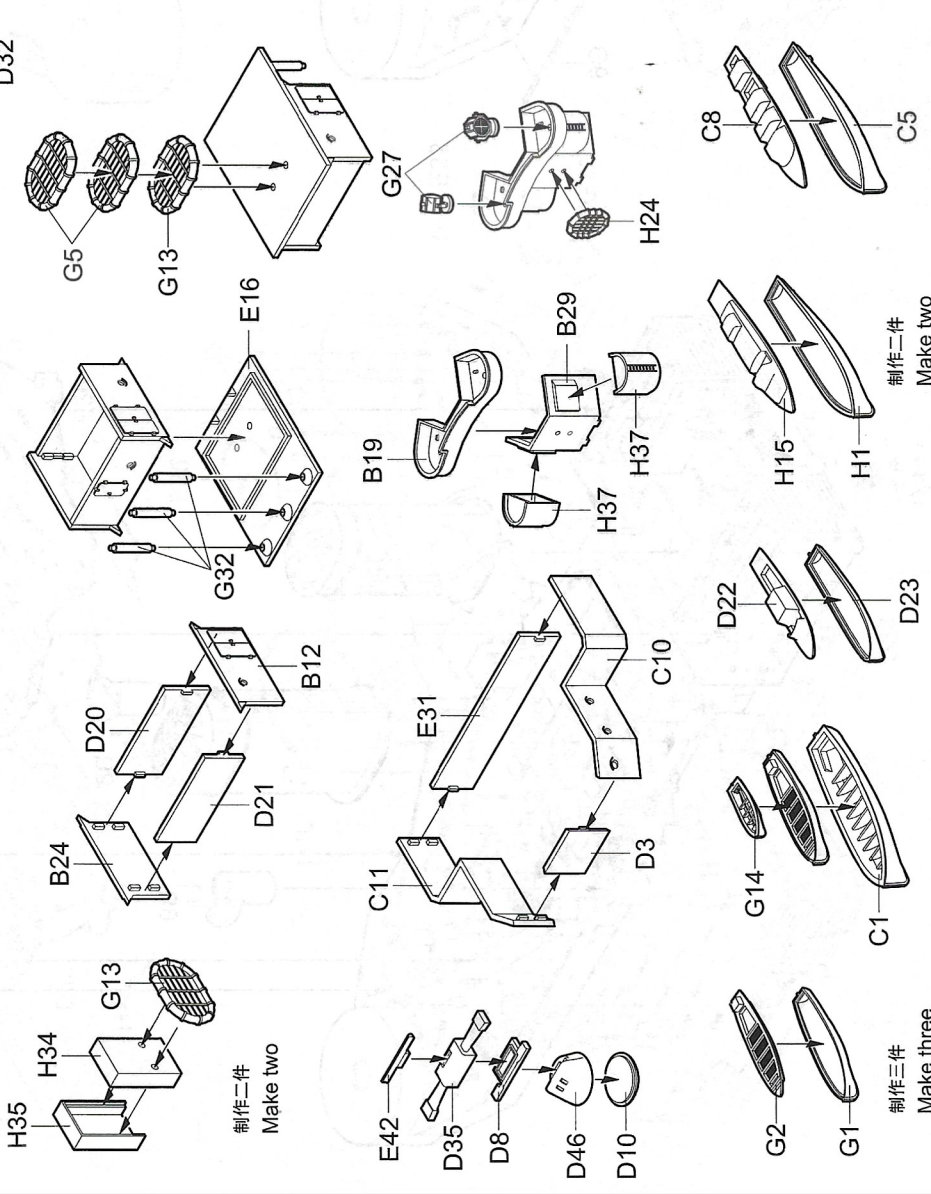
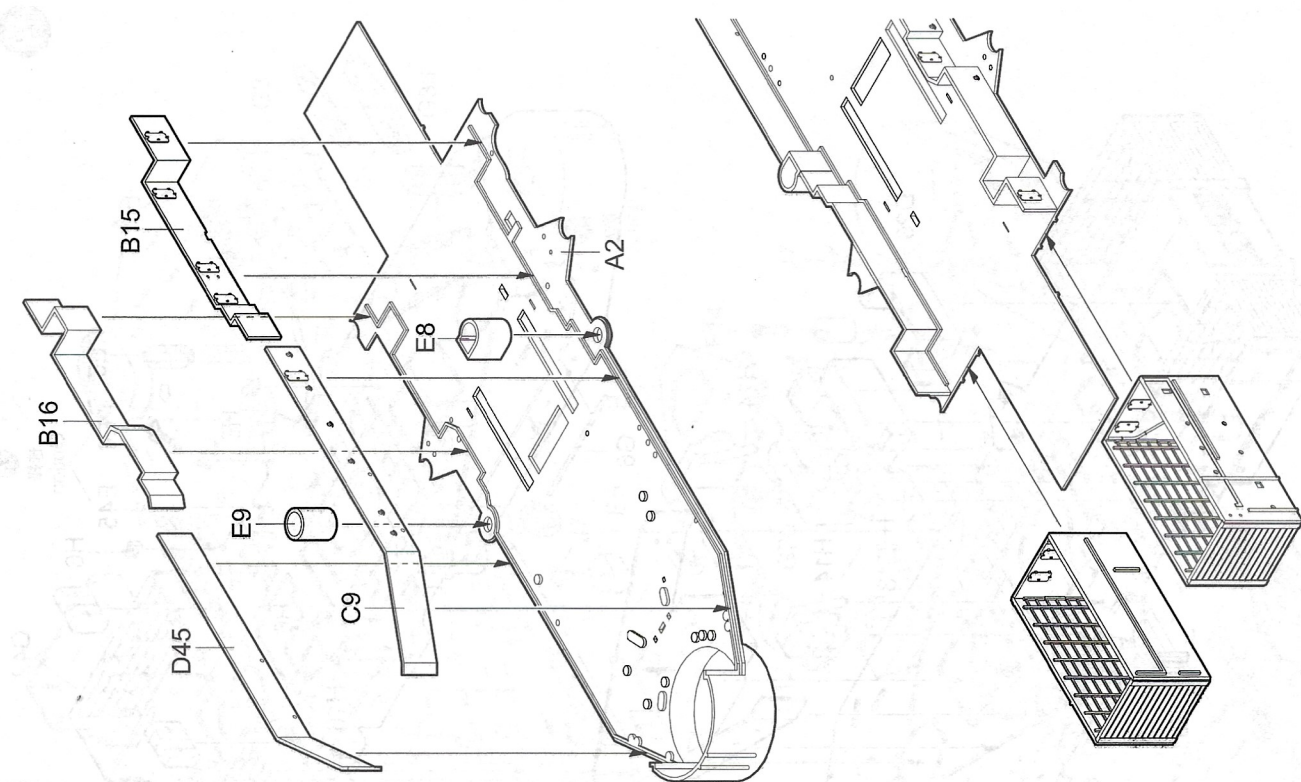
② 选择-PE3  
Option



12



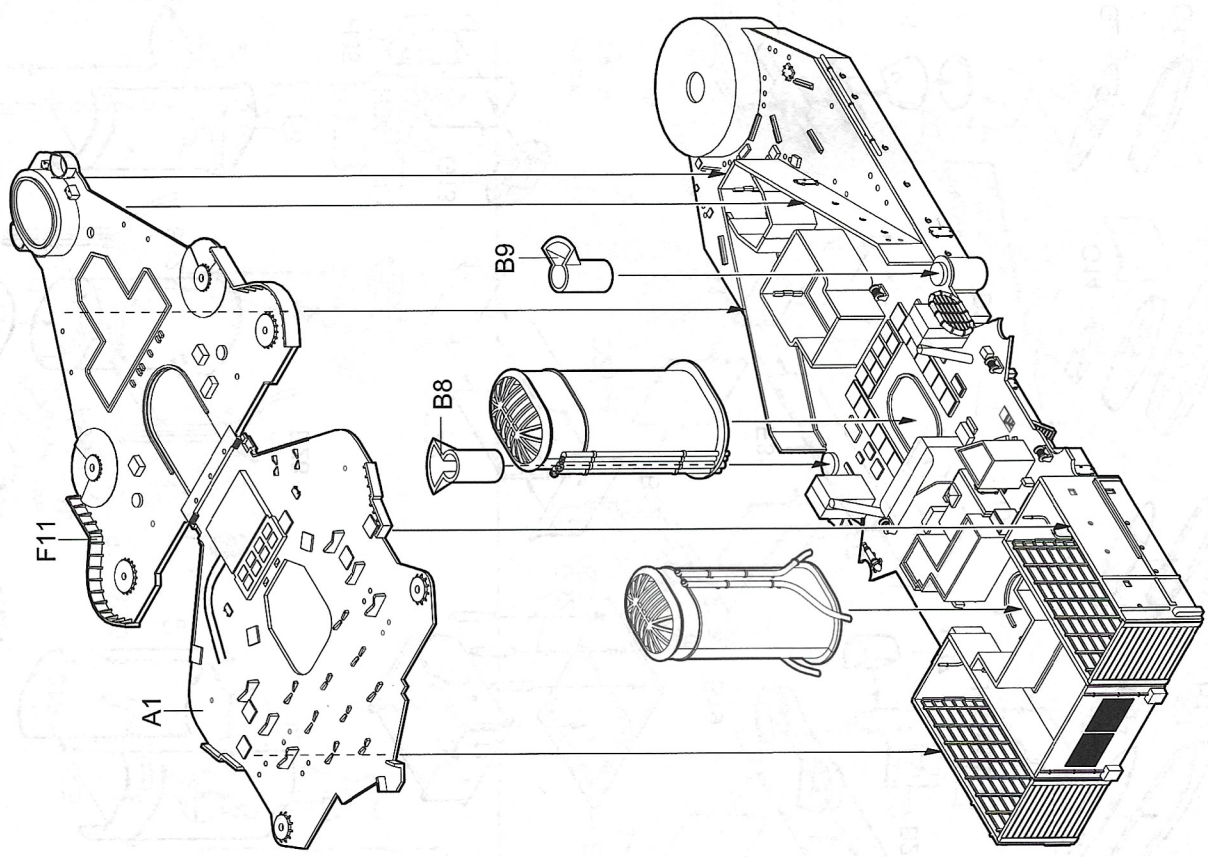
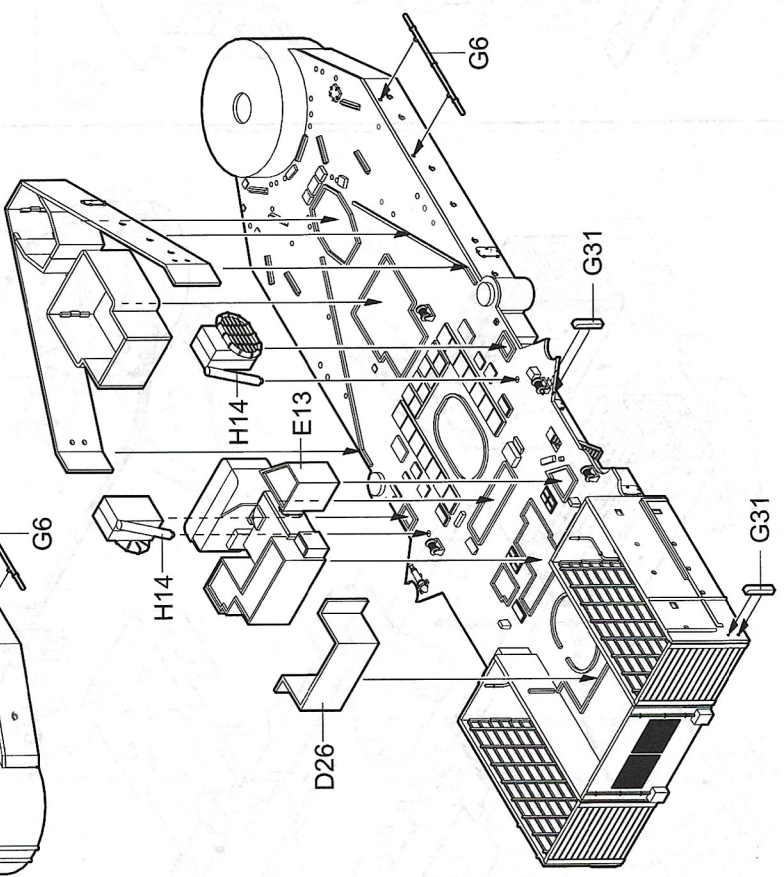
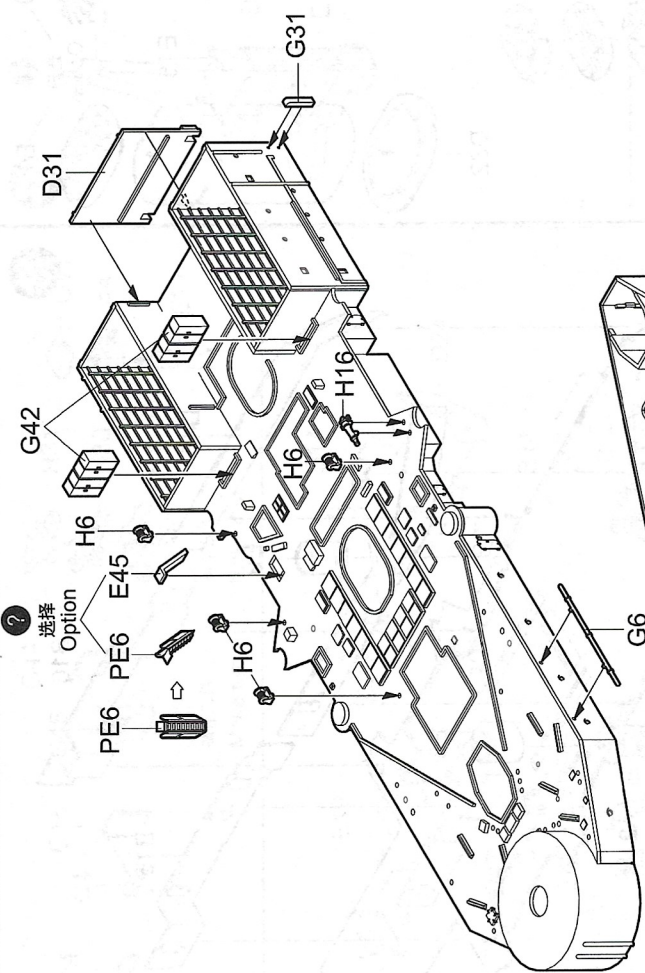
13

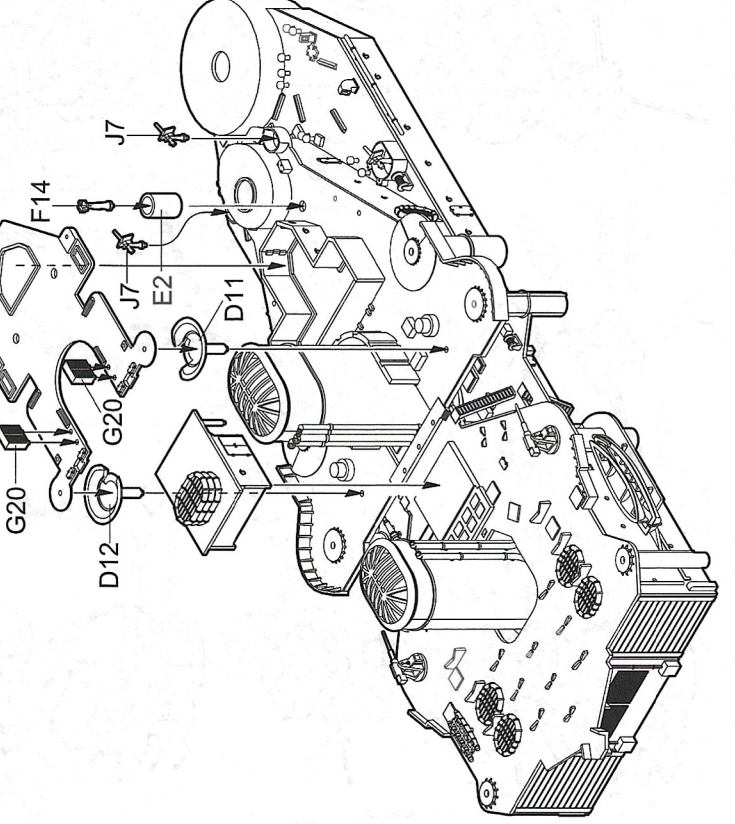
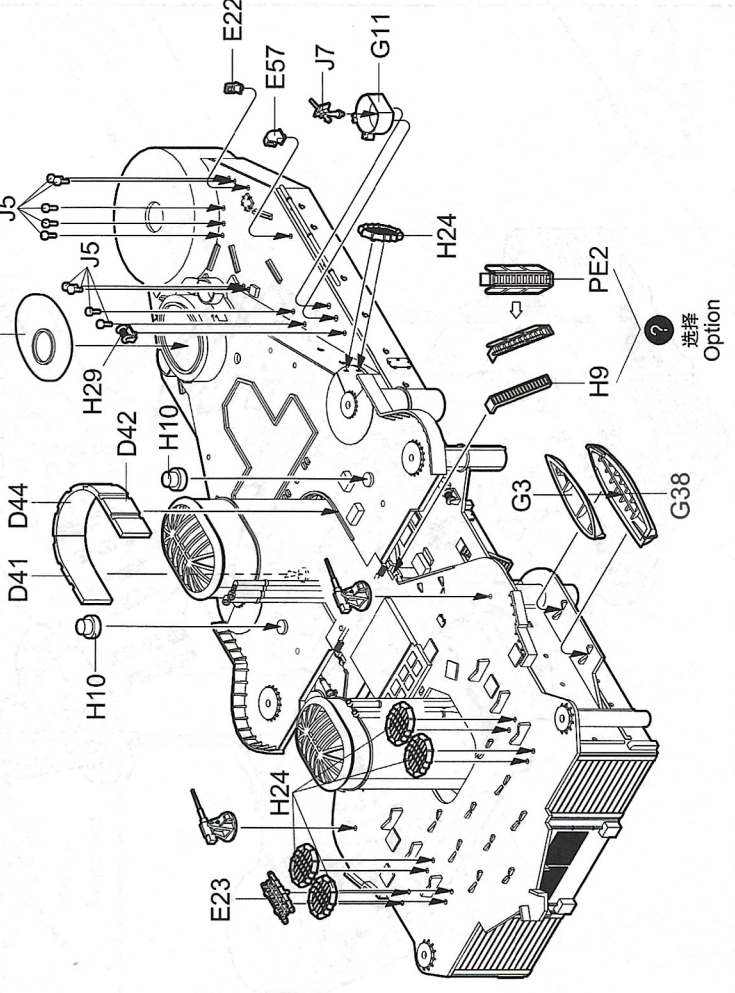
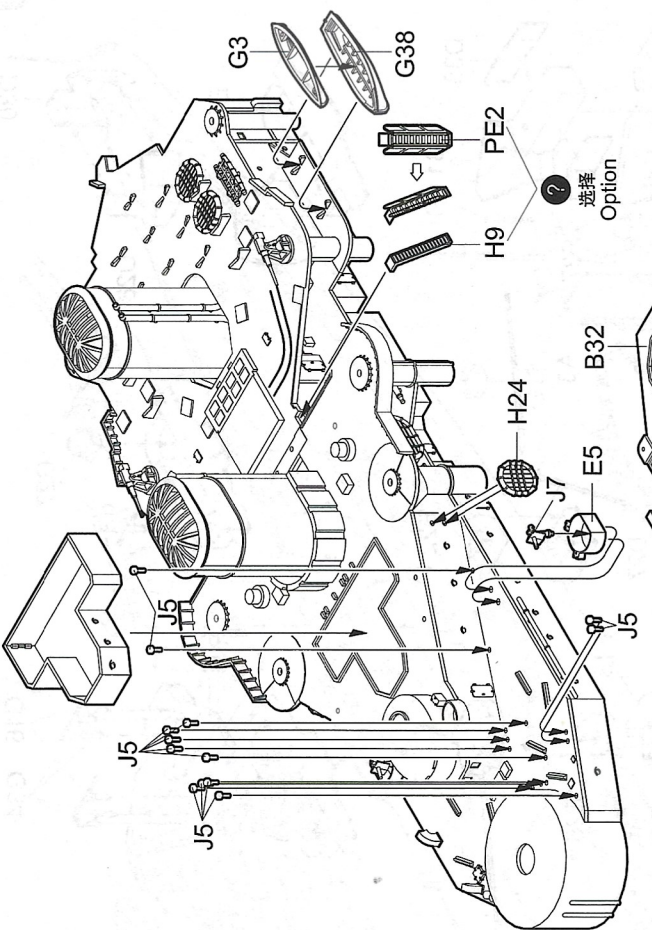
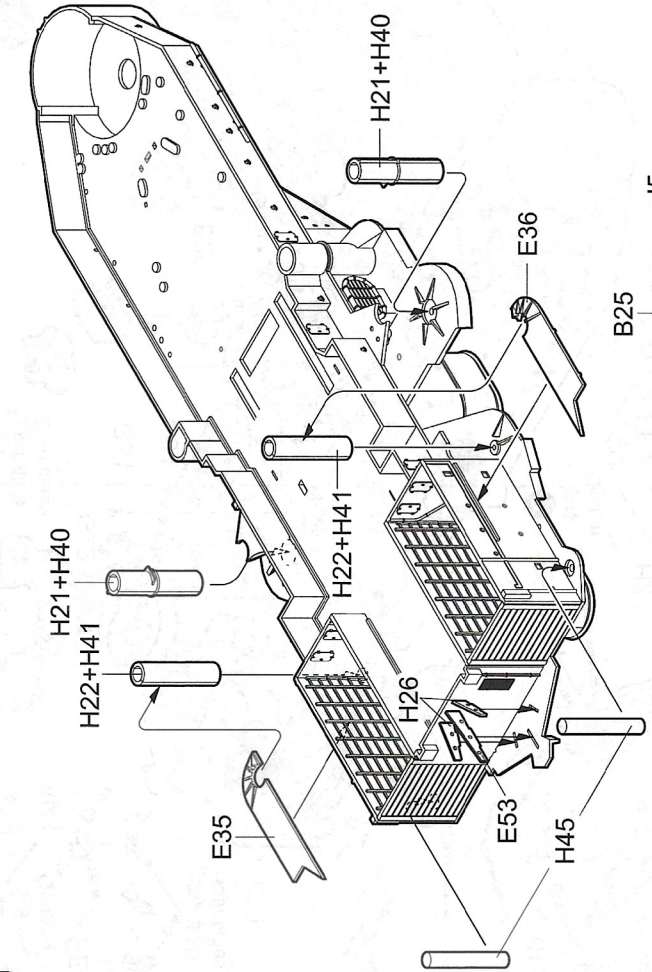


05312

11

21220





16

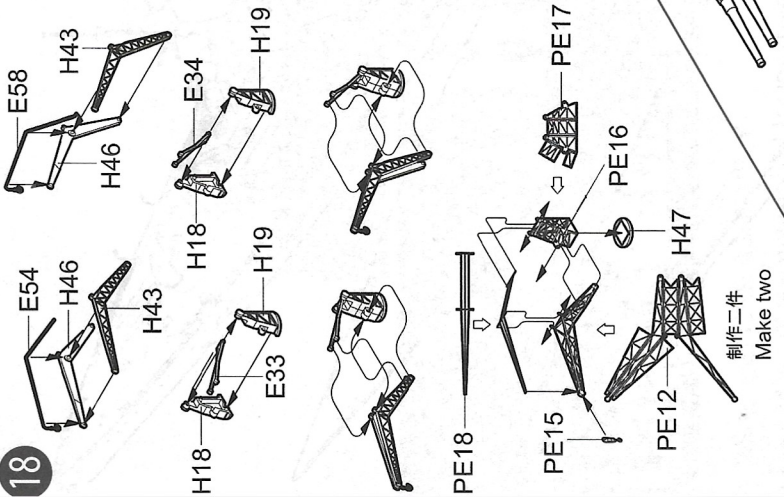
05312

17

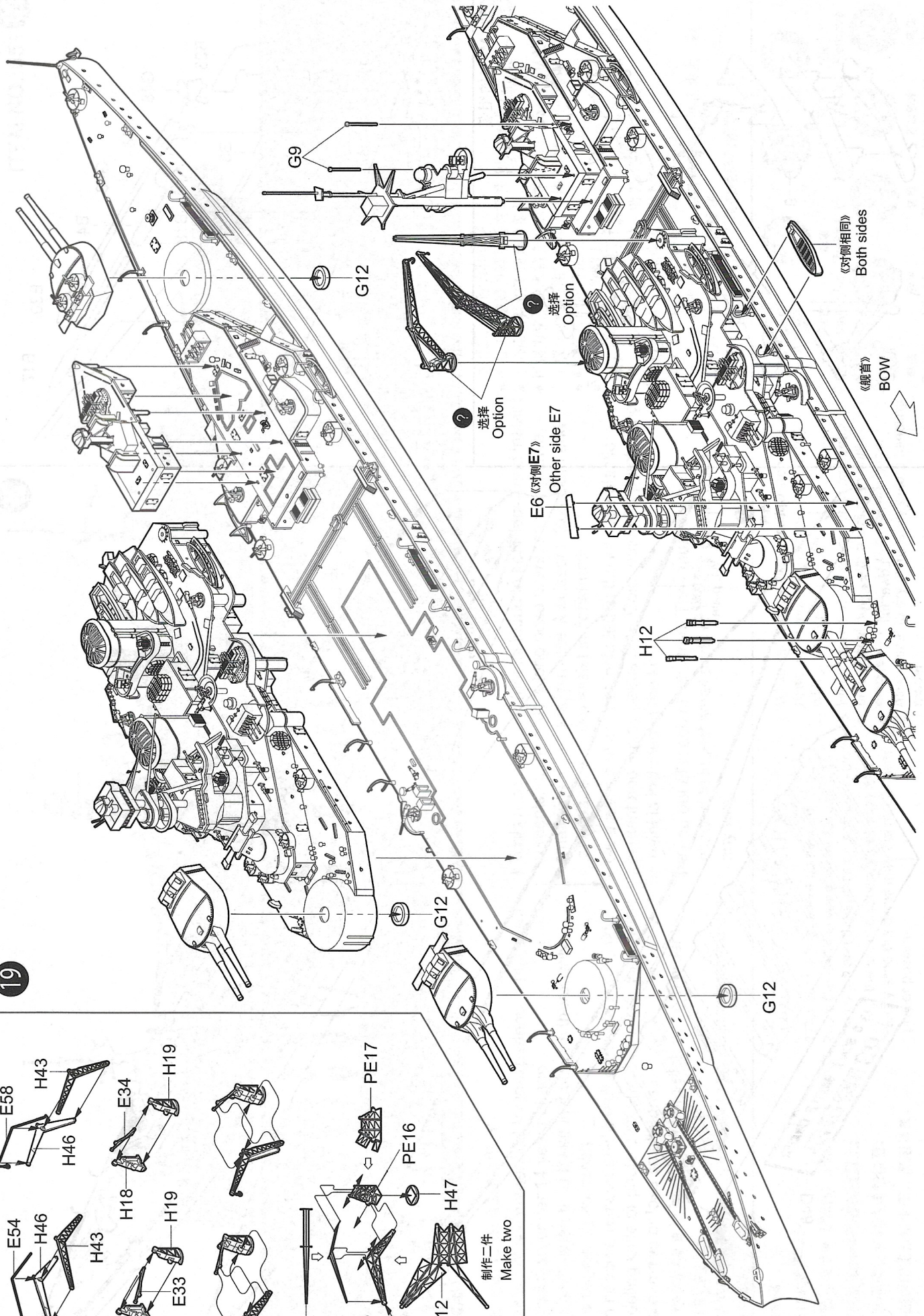
14

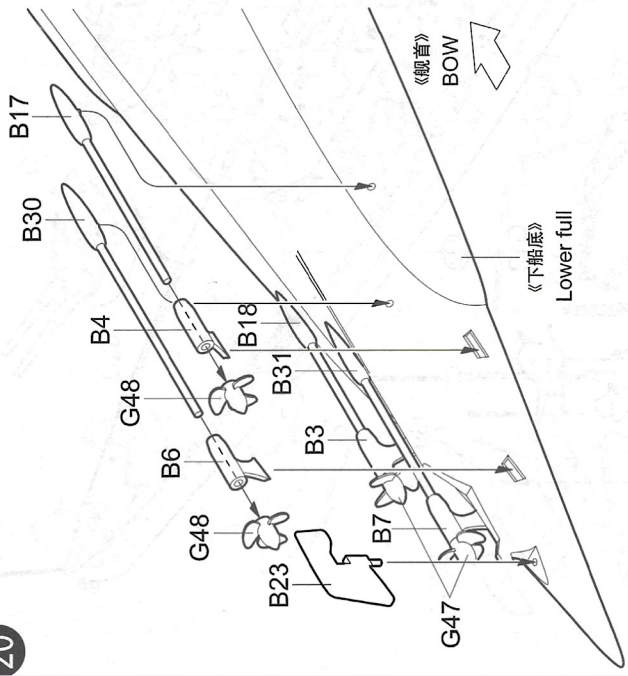
512610

18

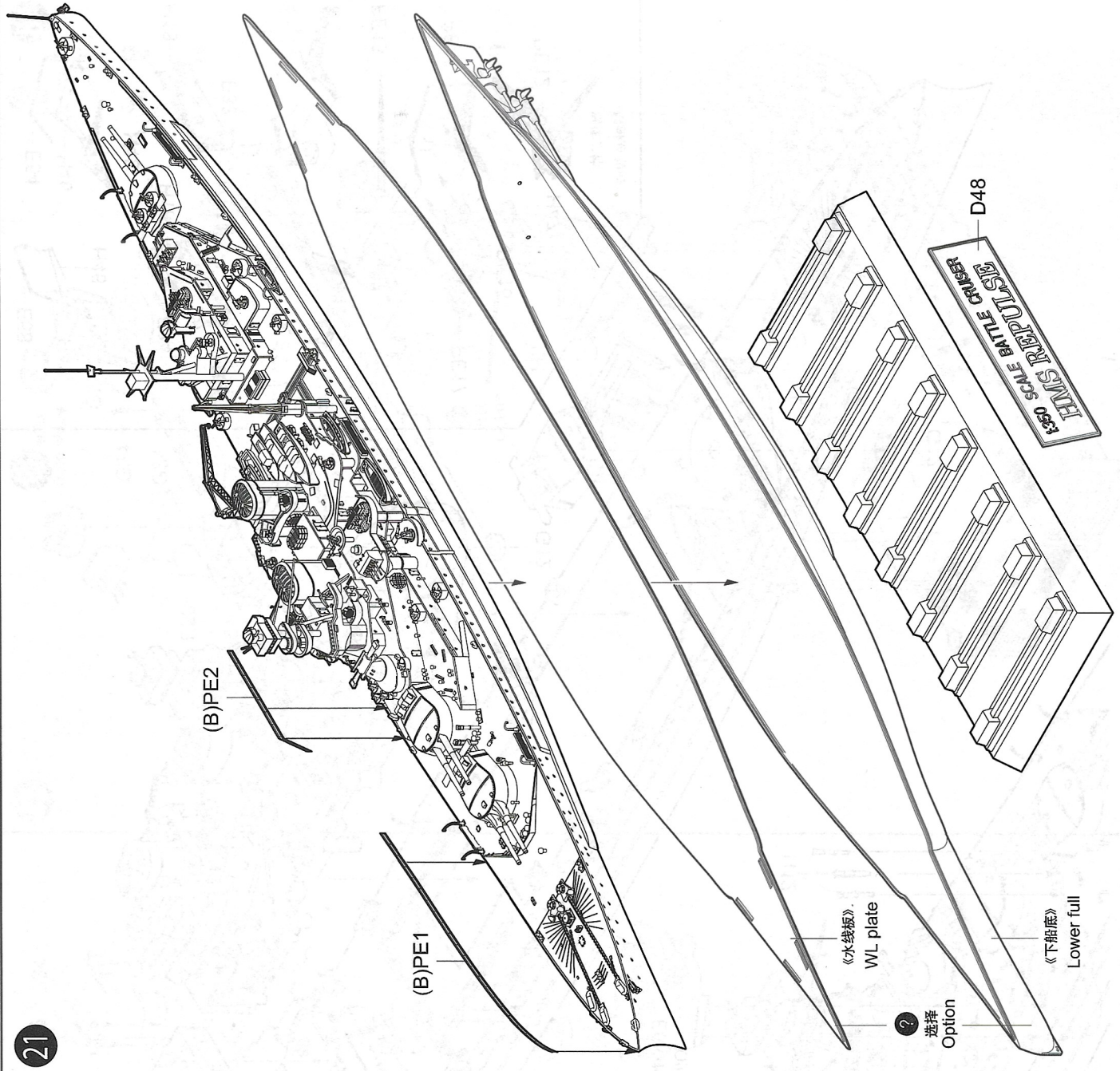
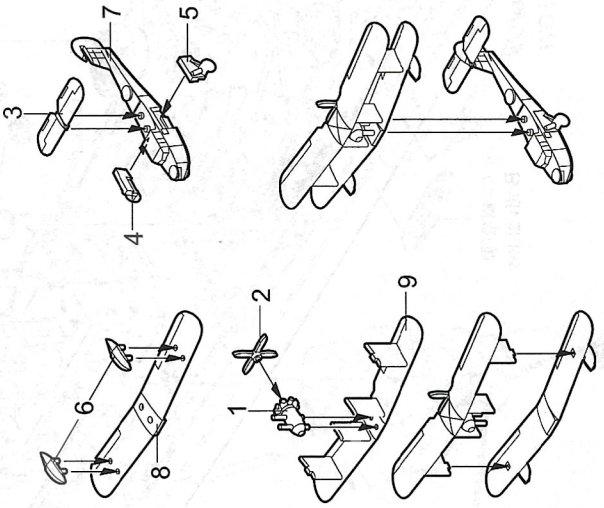


19



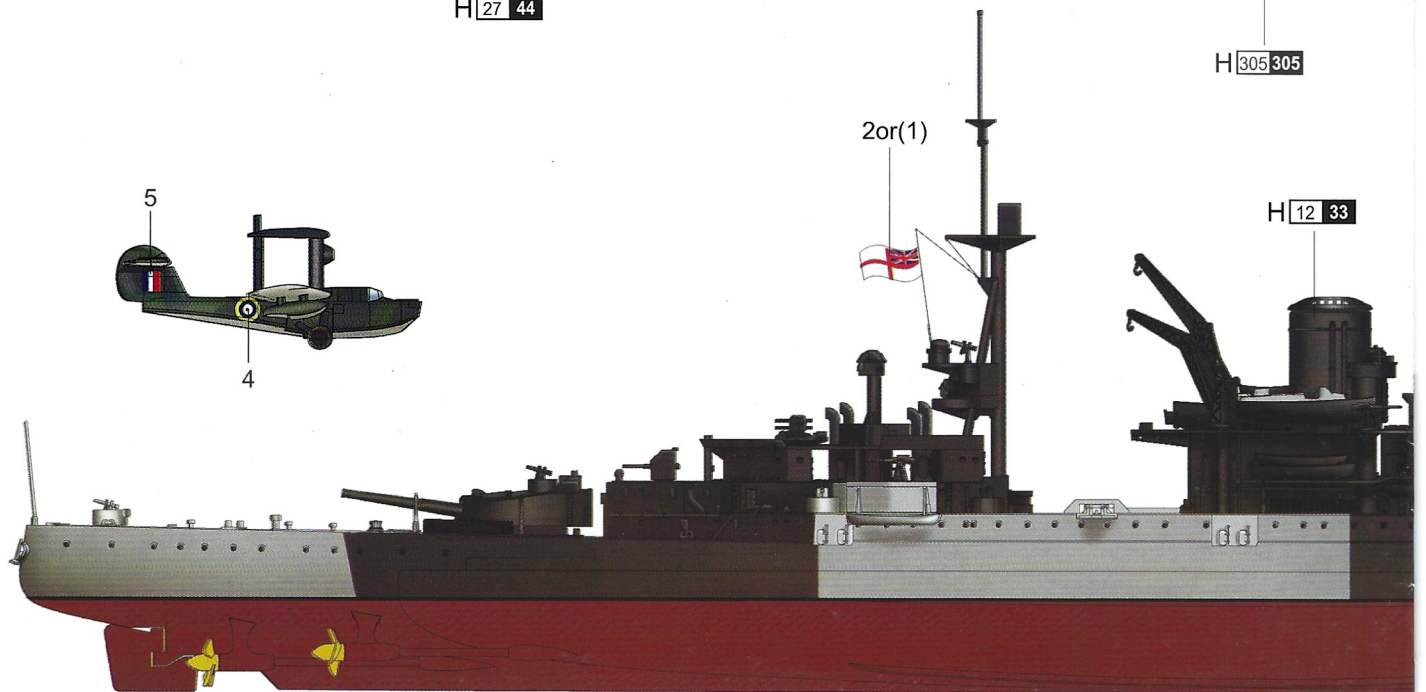
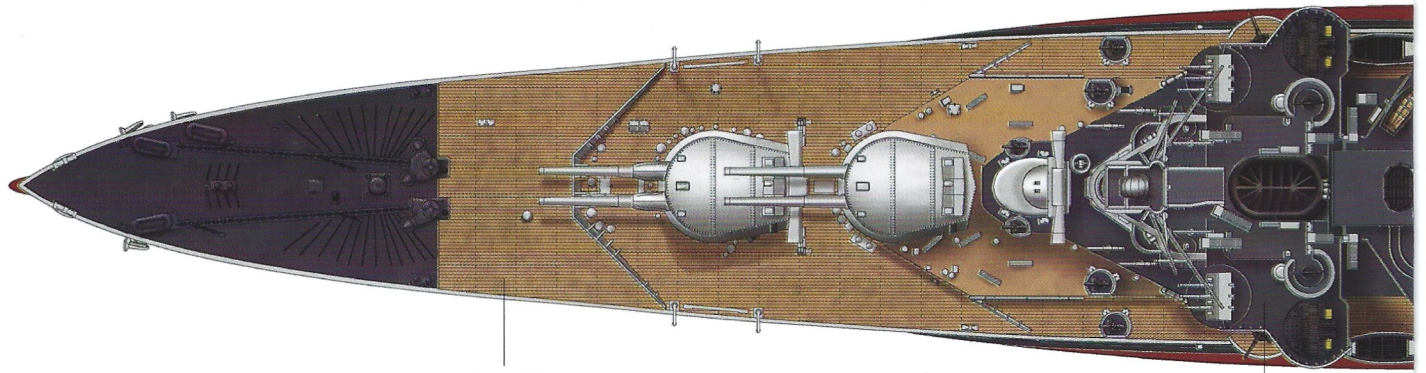
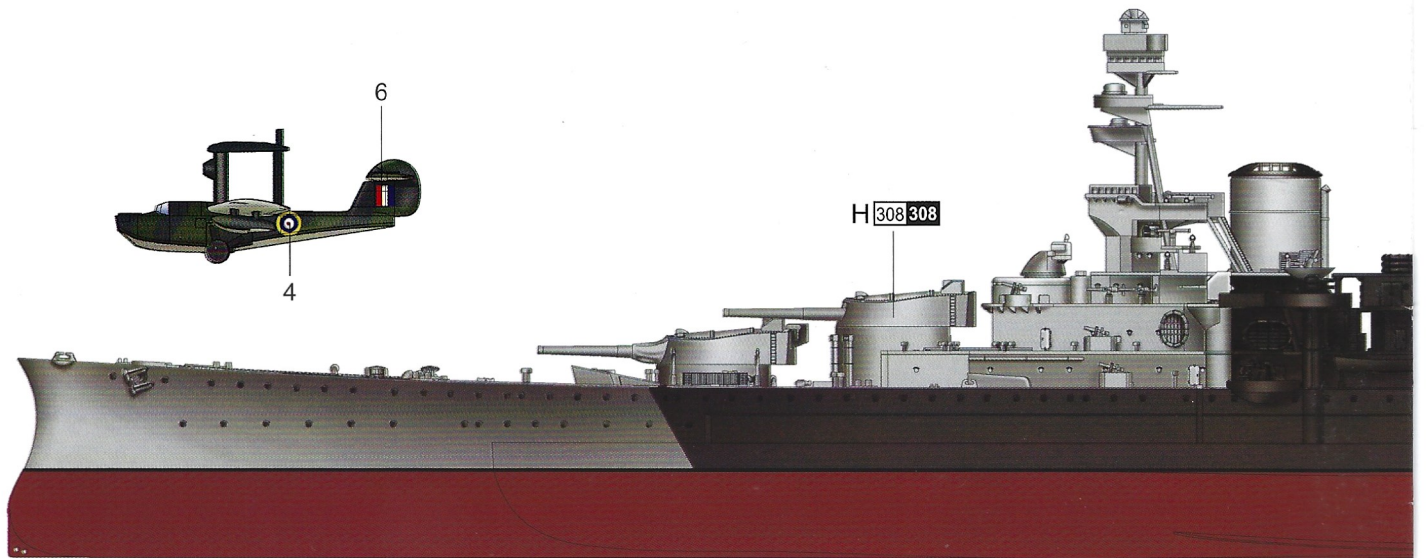


MK.1的组装  
Assembly of MK.1



# 涂装同标贴指示

## Painting & Marking guide

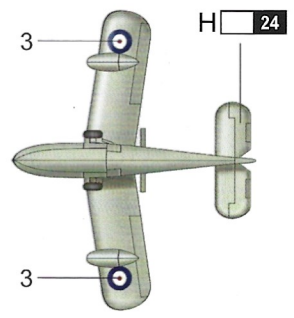
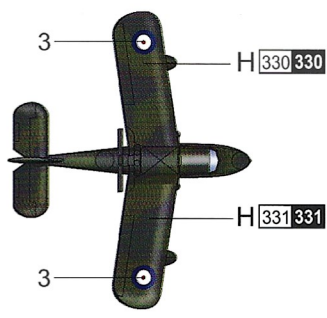
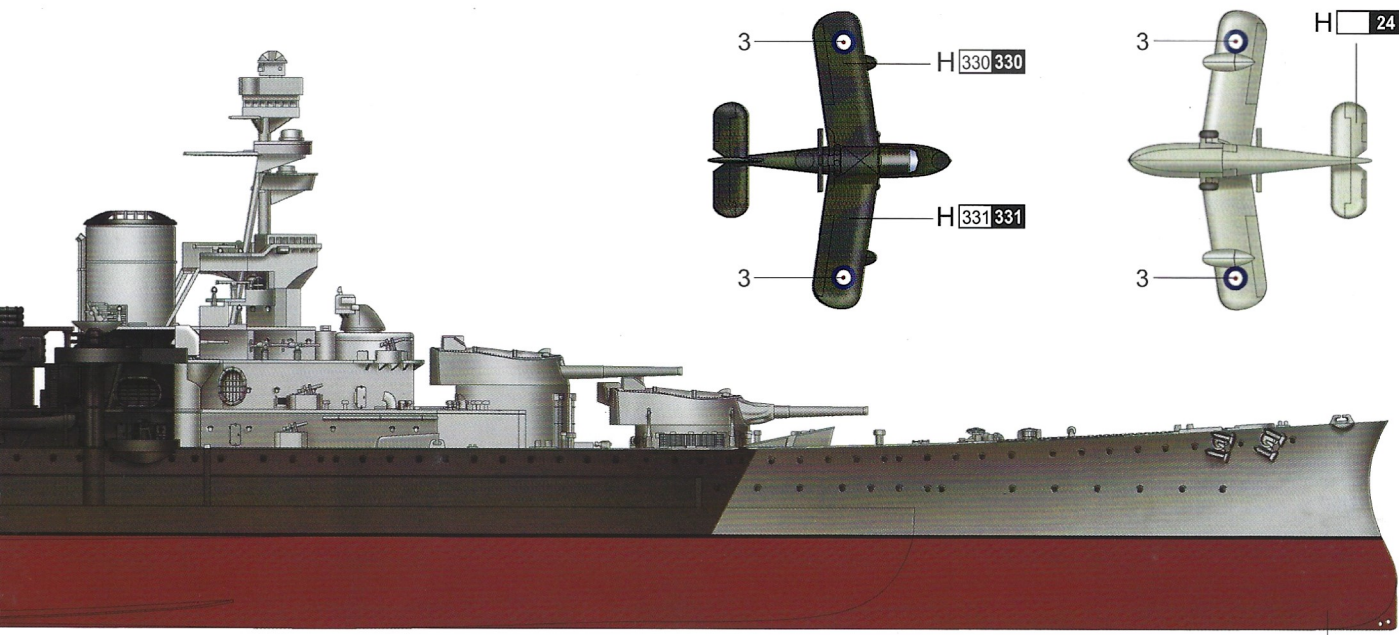
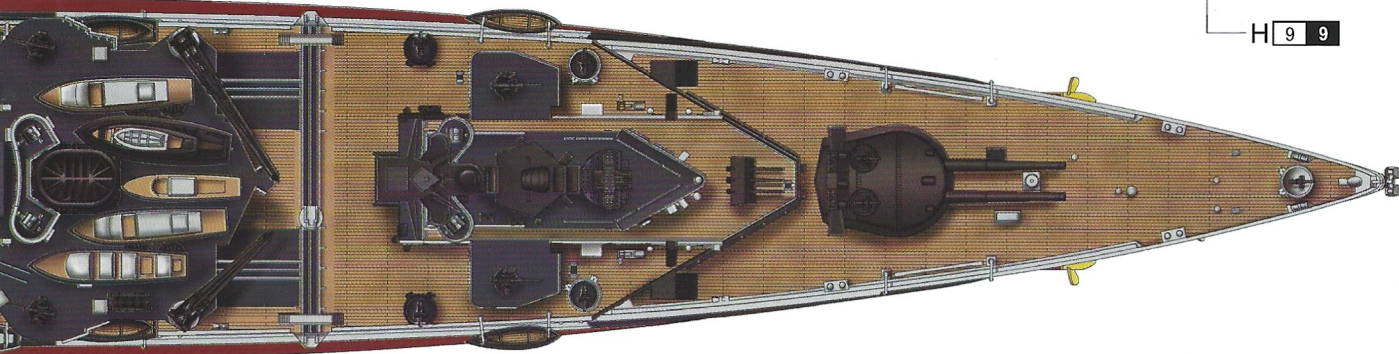
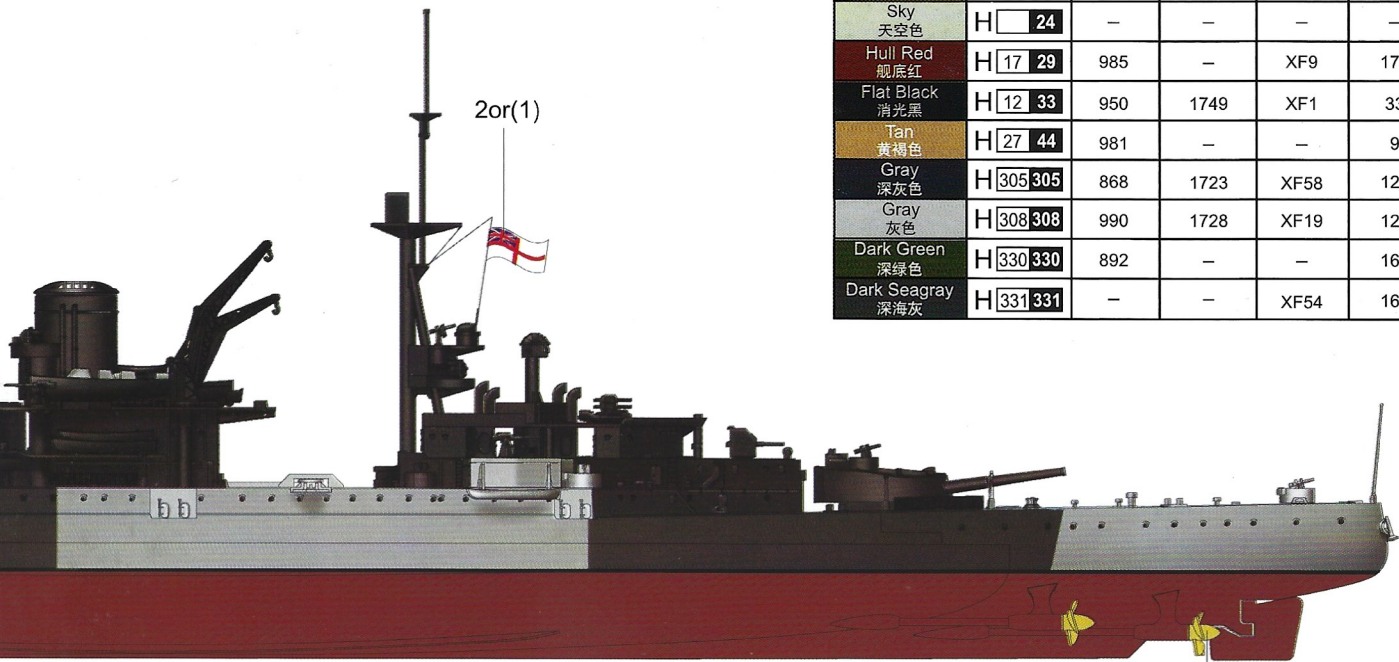


H  AQUEOUS HOBBY COLOR     Mr. COLOR

使用 MR.HOBBY 涂料

Mr. COLOR USED

Color	Mr.Hobby	Vallejo	Model Master	Tamiya	Humbrol
Gold 金色	H 9 9	878	1744	X12	16
Sky 天空色	H 24	-	-	-	-
Hull Red 舰底红	H 17 29	985	-	XF9	177
Flat Black 消光黑	H 12 33	950	1749	XF1	33
Tan 黄褐色	H 27 44	981	-	-	9
Gray 深灰色	H 305 305	868	1723	XF58	125
Gray 灰色	H 308 308	990	1728	XF19	127
Dark Green 深绿色	H 330 330	892	-	-	163
Dark Seagray 深海灰	H 331 331	-	-	XF54	164



H 17 29