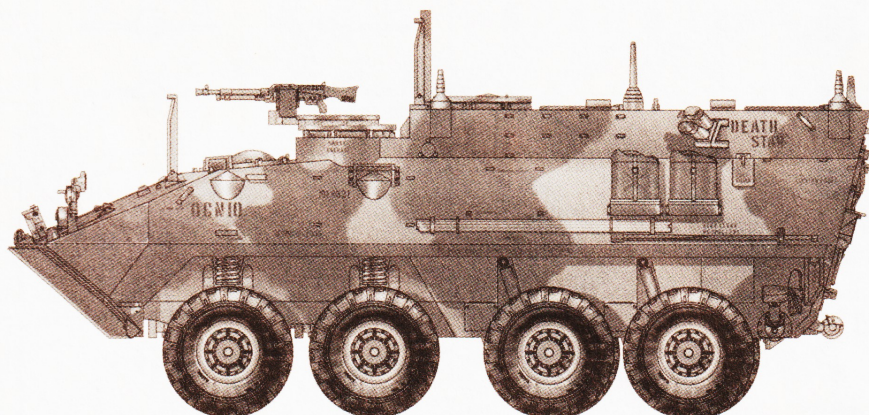


1:72 SCALE

ITEM NO.: 07270

# USMC LAV-C2

## 美国海军陆战队 LAV-C2 装甲指挥车



### READ BEFORE ASSEMBLY:

- This kit is not recommended for inexperienced modelers or for children under 14 years of age
- Study and understand these instructions thoroughly before beginning assembly
- When needed, remove photo-etch parts carefully using a modeling knife or photo etch sprue cutter, being careful not to damage or lose small parts.
- Take extra care in handling photo etch parts in order to avoid injury
- Apply instant cement sparingly to photo etch parts where instructed
- Tools recommended(not included in kit):Plastic and instant cements,sprue cutters,long nose pliers,,modeling knife, small files, tweezers, pin vise & scissors. Soft cloth and sandpaper will also assist in construction
- Glue and paint are not included in the kit. Use plastic cement and hobby paints only. Color guide for purchasing paint is included in the kit.
- Keep out of reach of small children. They must not be allowed to ingest small parts or handle plastic bags in any way.

### 装配之前仔细阅读

- 小心用模型锉刀锉平所有零件表面的注射浇口。
- 小心用刀片切下蚀刻片零件，不要遗失小零件。
- 用强力快干胶水粘合蚀刻片零件和金属轴。过量的快干胶水使用可能导致可动零件会粘住，小心涂胶。
- 取蚀刻片时应特别注意安全，防止利边划伤手指。
- 某些零件表面需贴水上贴纸，请选择在装配的同时进行。
- 推荐模型工具(自备)：胶水，水口剪刀，长咀钳，刀片，锉刀，镊子，钳，钻，剪刀，瞬间快干胶。
- 软布同砂纸同时也应该是必备工具。
- 请使用塑料胶水和油漆，模型内不含。
- 谨防小孩吸吮塑料零件，或者将塑料袋套在头上，制作时应将套材远离小孩接触。
- 本产品不适合14岁以下没有经验的模型爱好者



cyanoacrylate glue  
使用强力胶



weight  
配重



make hole  
钻孔



cut / remove  
切除



bend  
弯曲



file / sand  
锉平



option  
选择



no cement  
不涂胶水



decal  
贴纸

### 水贴纸的使用:

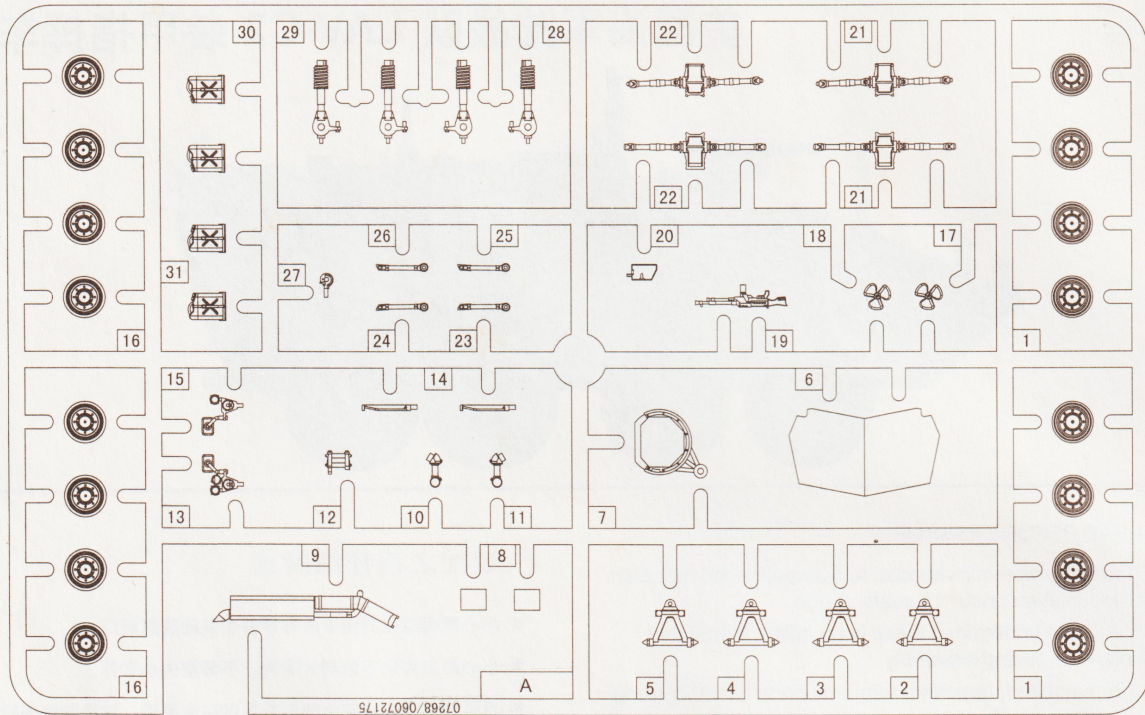
1. 从水贴上剪下印花;
2. 将印花放入温水中浸10秒，然后放在干净布上。
3. 拿着印花纸板将印花移到模型上;
4. 手指蘸水将印花移到适当的位置;
5. 用软布轻压印花直至水干，气泡消失。

### DECAL APPLICATION

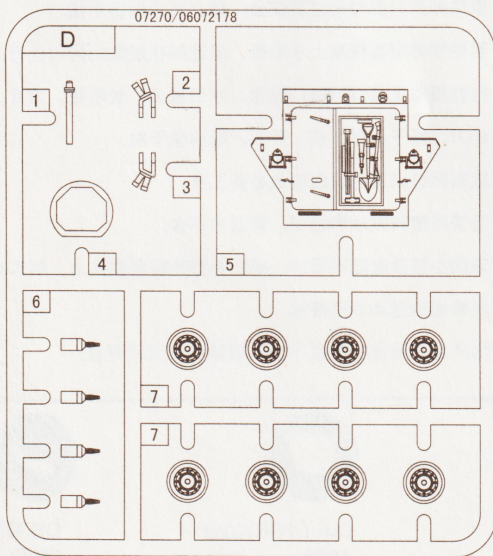
1. Cut off decal from sheet.
2. Dip the decal in tepid water 40°C for about 10 sec. and place on a clean cloth.
3. Hold the backing sheet edge and slide decal onto the model.
4. Move decal into position by wetting decal with finger.
5. Press decal gently down with a soft cloth until excess water and air bubbles are gone.
6. Allow decal to dry completely before handling model.

部品图  
Parts

A



D

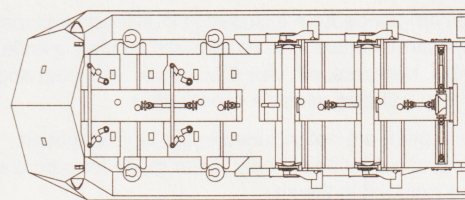


《水贴纸》  
Decal

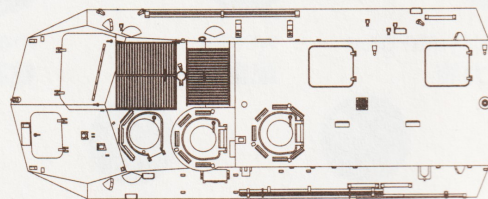
OCRID	DEA H	S AR	号	零件名称
1	2	3	4	5
OCRID	DEA H	S AR	号	零件名称
7	8	9	10	
6	12	13	14	15
17	16	20	21	
18	19	22	23	24
25	26	27	28	
29	30	31	32	33
34	35			

07270 1/72 LAV-C2

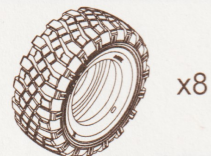
《车底》  
Lower hull



《车面》  
Upper hull



《轮胎》  
Trye



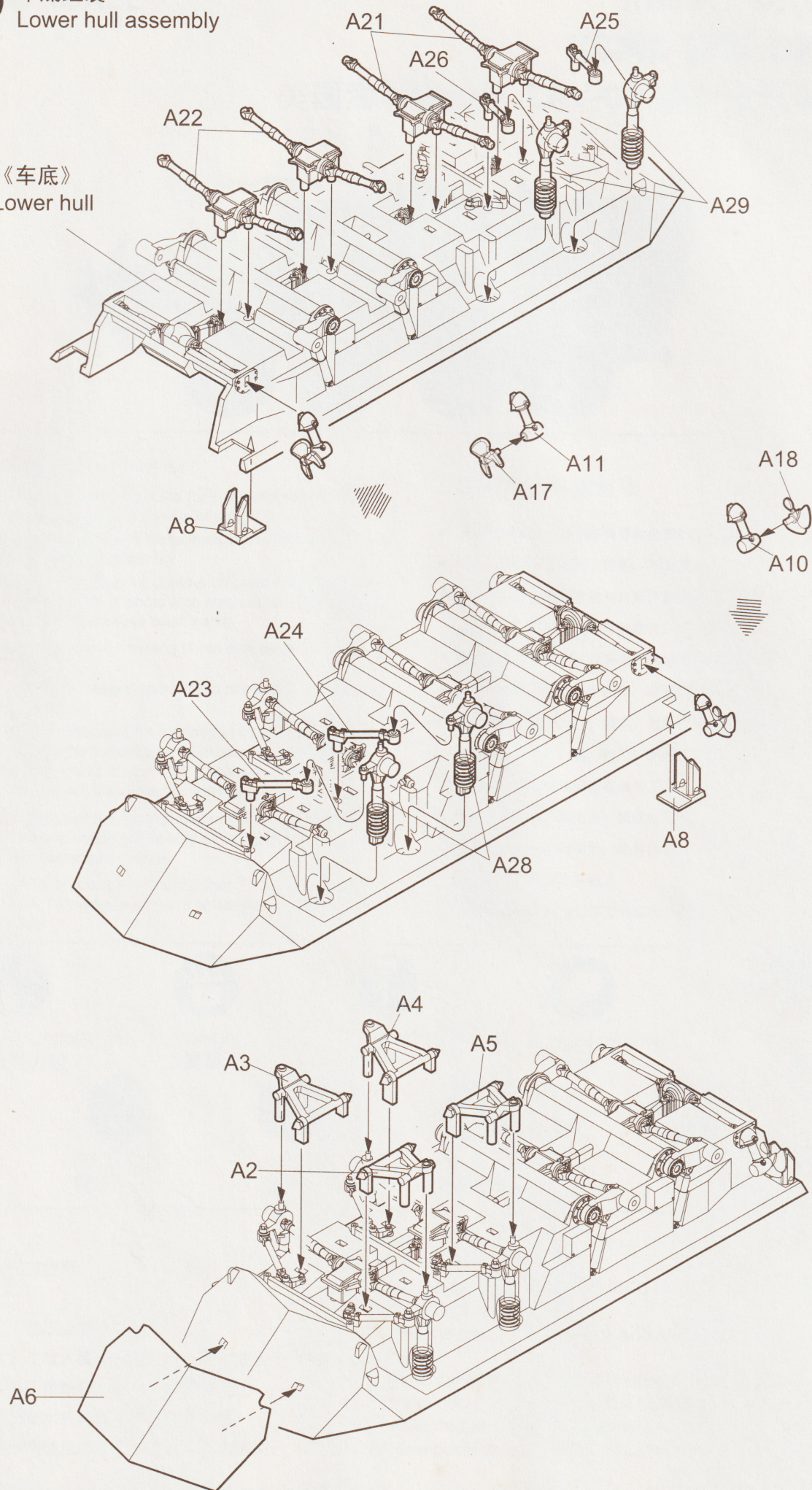
x8

《厚》  
Thick

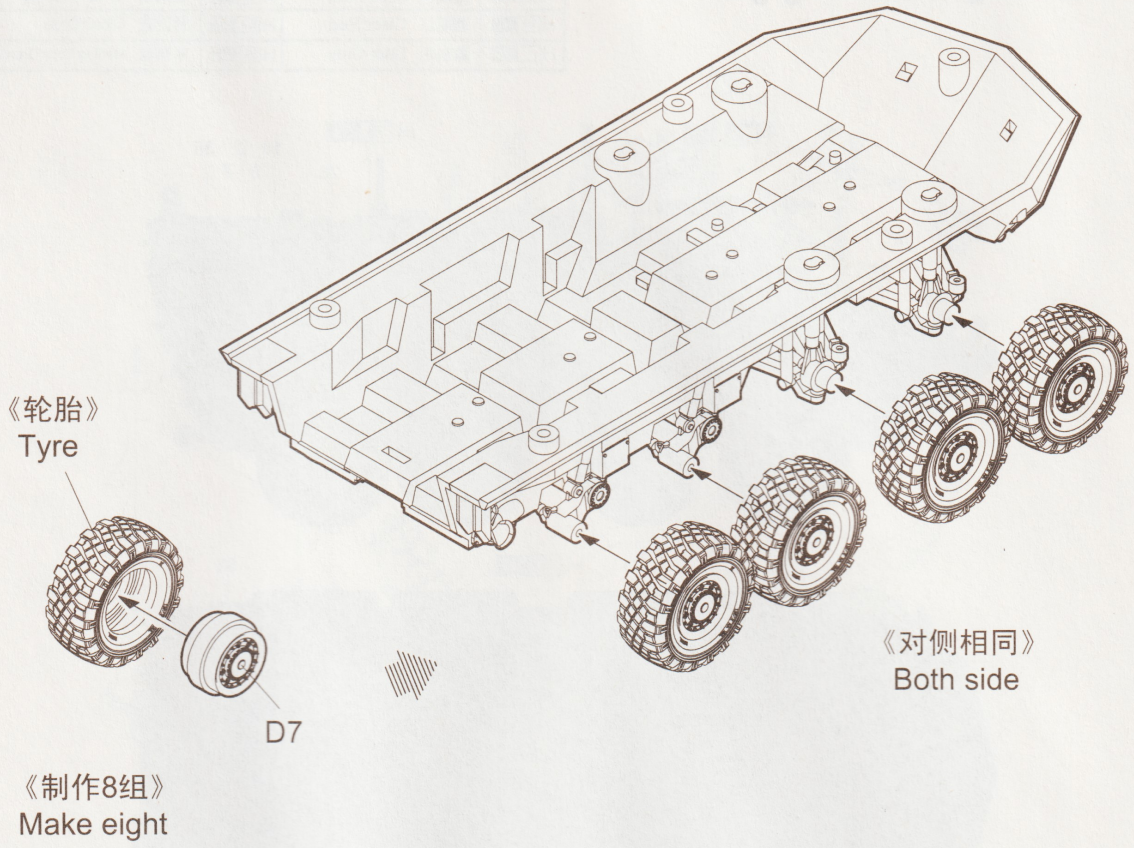
不用部品: A1x8,A16x8,A30  
Unused parts

**1** 车底组装  
Lower hull assembly

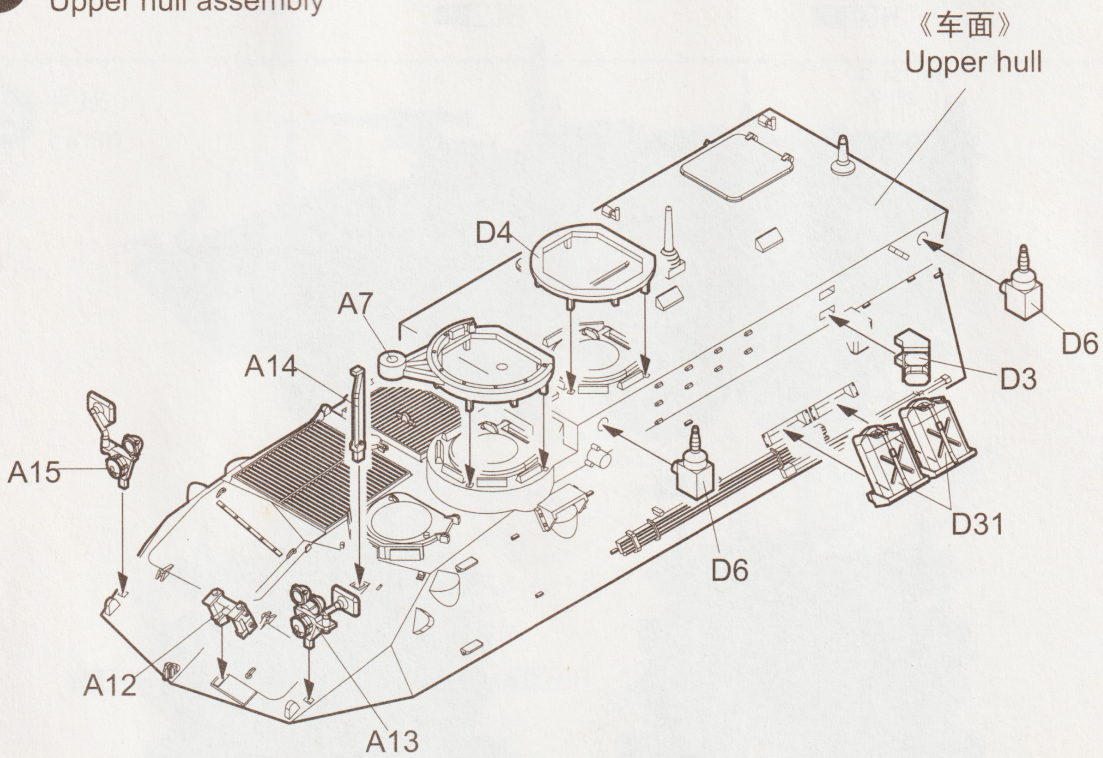
《车底》  
Lower hull



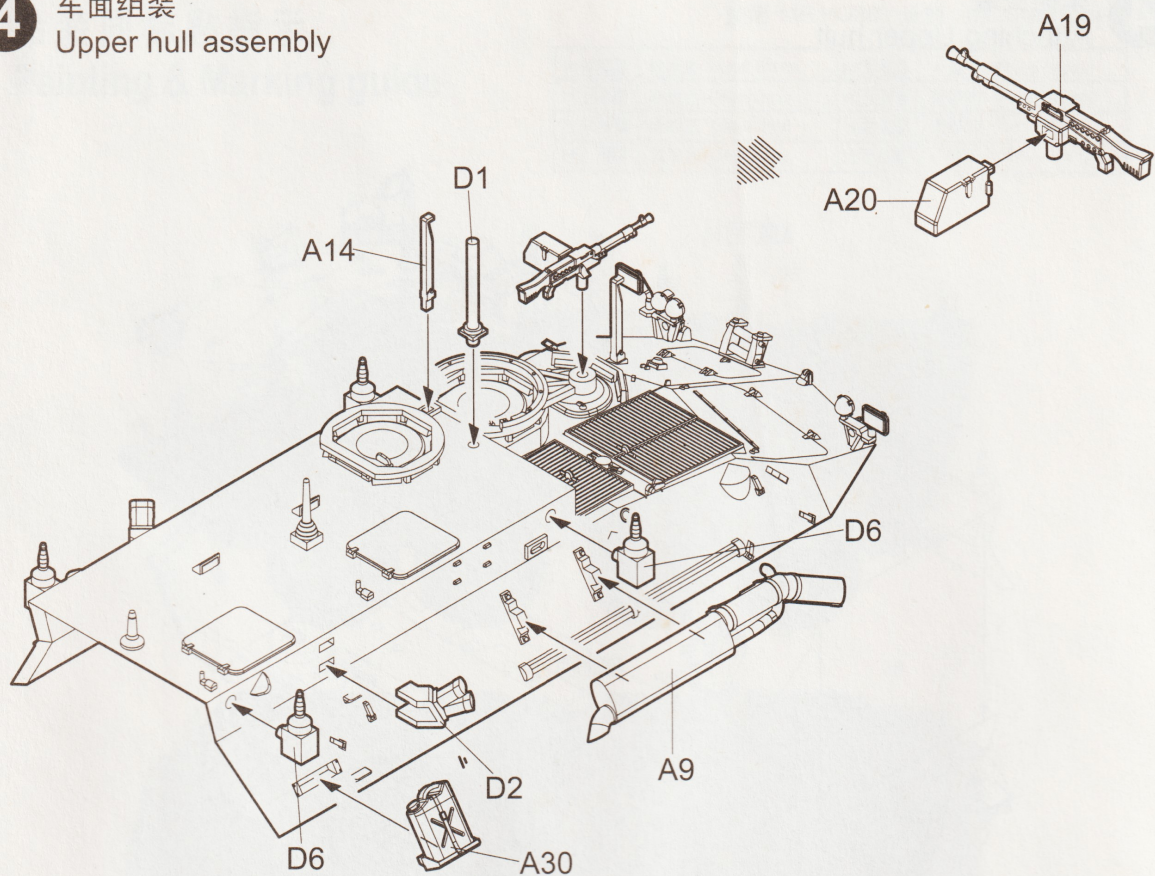
**2** 车轮安装  
Attaching wheel



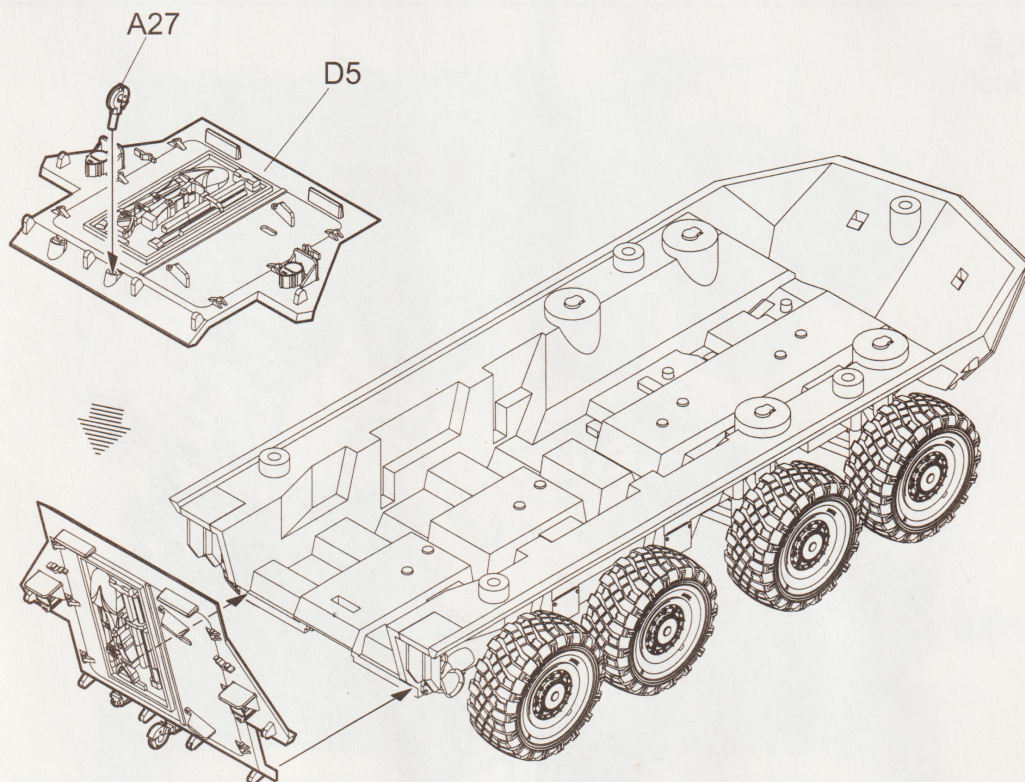
**3** 车面组装  
Upper hull assembly



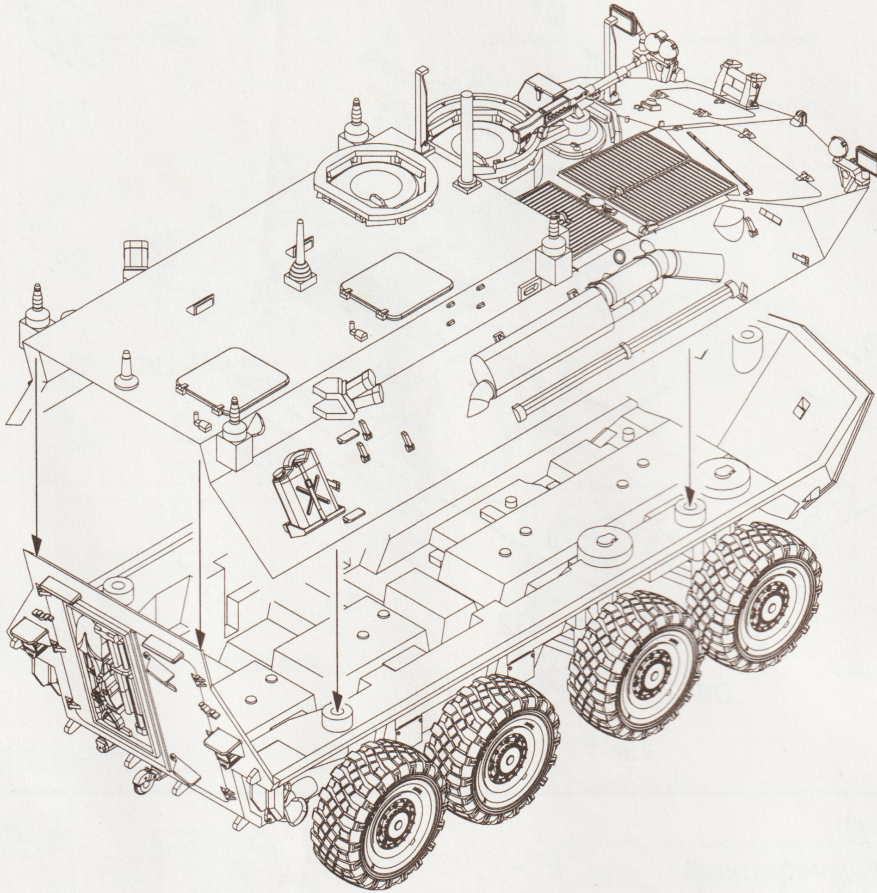
**4** 车面组装  
Upper hull assembly



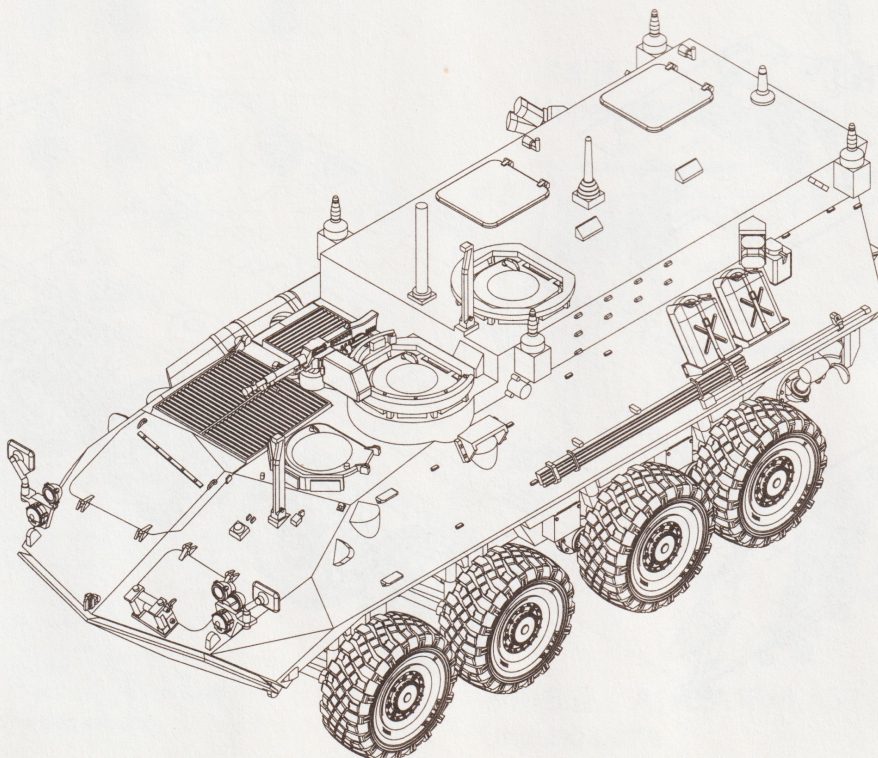
**5** 后板安装  
Attaching rear panel



**4** 车面安装  
Attaching Upper hull



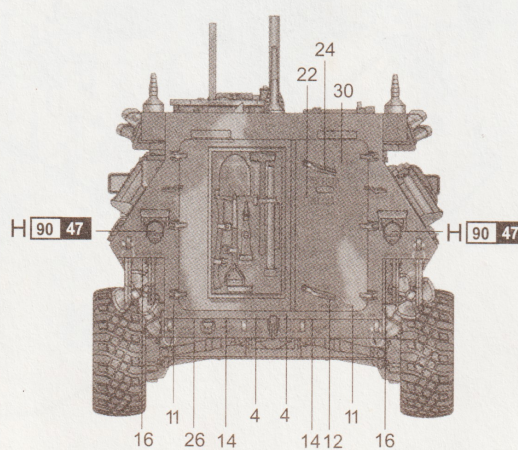
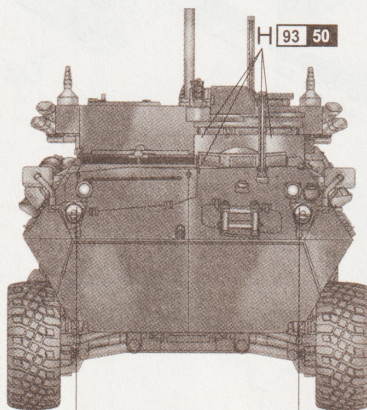
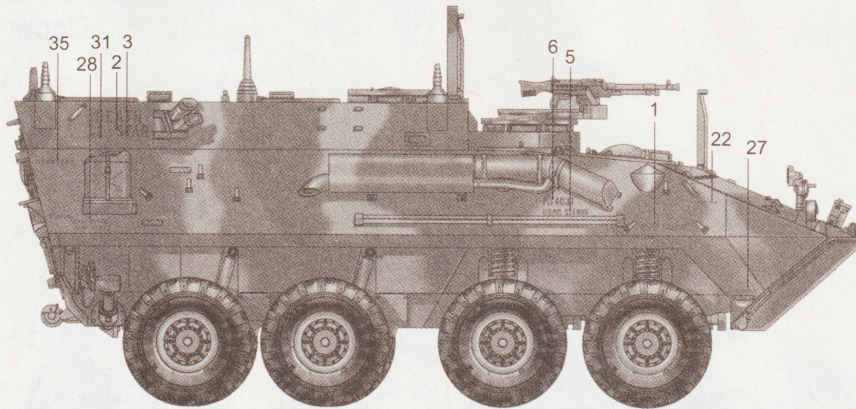
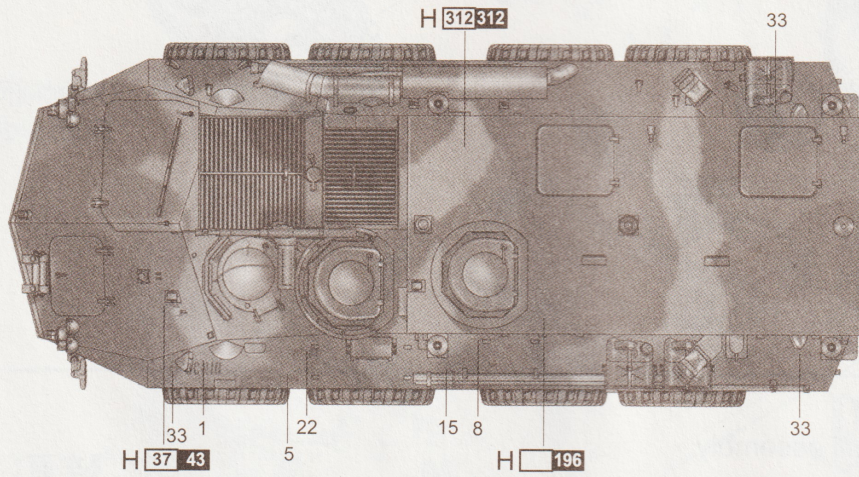
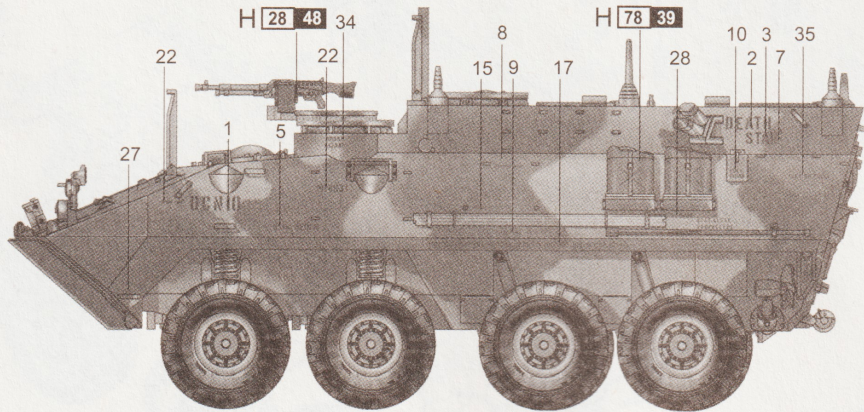
**5** 完成  
Finish



# 涂装同标贴指示 Painting & Marking guide

使用 MR.HOBBY 涂料 Mr. Color Used

H 28 48	枪黑色 Metal Black	H 37 43	木棕色 Wood Brown
H 78 39	橄榄色 Olive Drab	H 92 49	透明橘 Clear Orange
H 90 47	透明红 Clear Red	H 93 50	透明蓝 Clear Blue
H 196	黑灰色 Dark Gray	H 312 312	中灰绿 Medium Grey Green



□ AQUEOUS HOBBY COLOR

■ Mr. COLOR