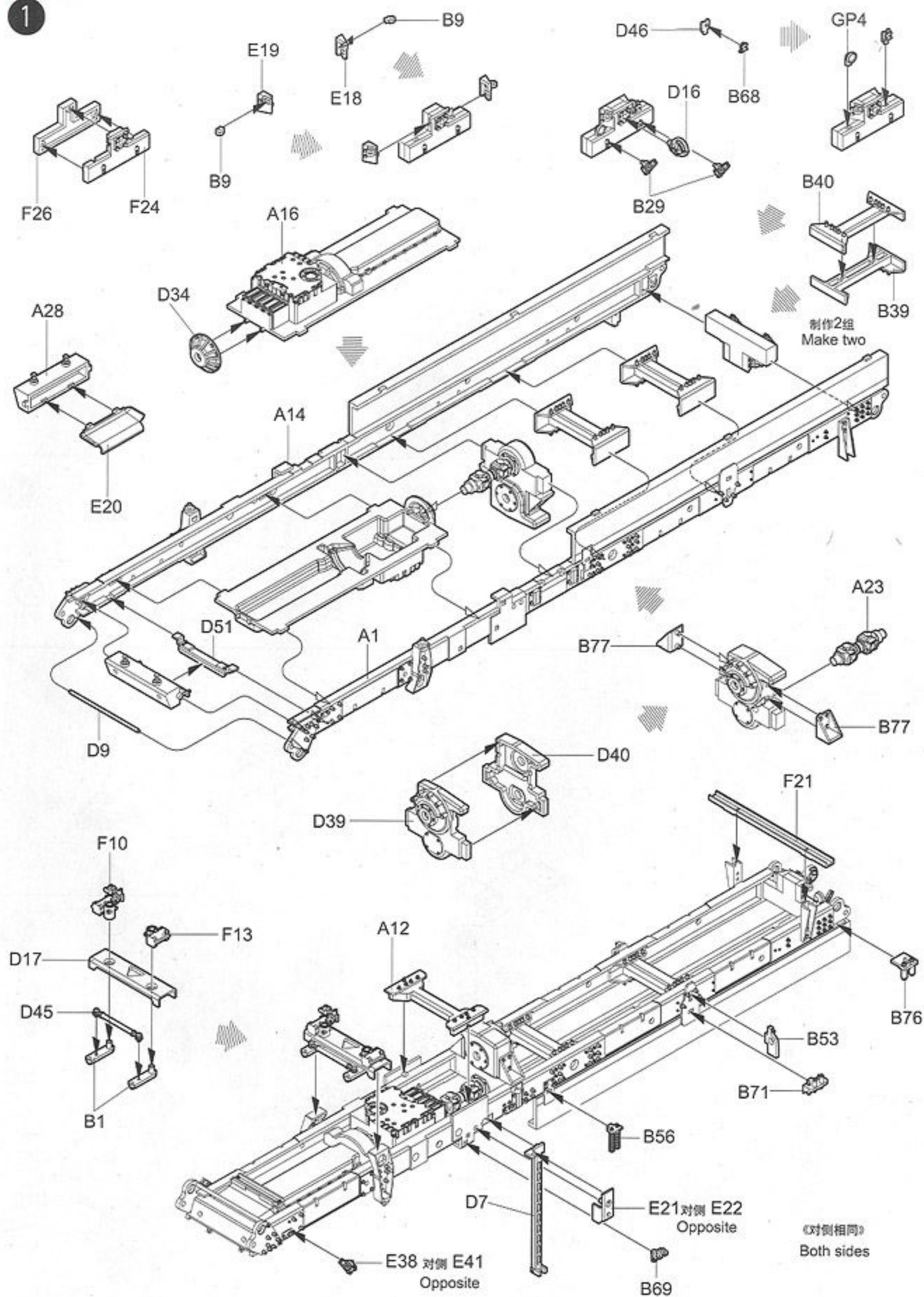
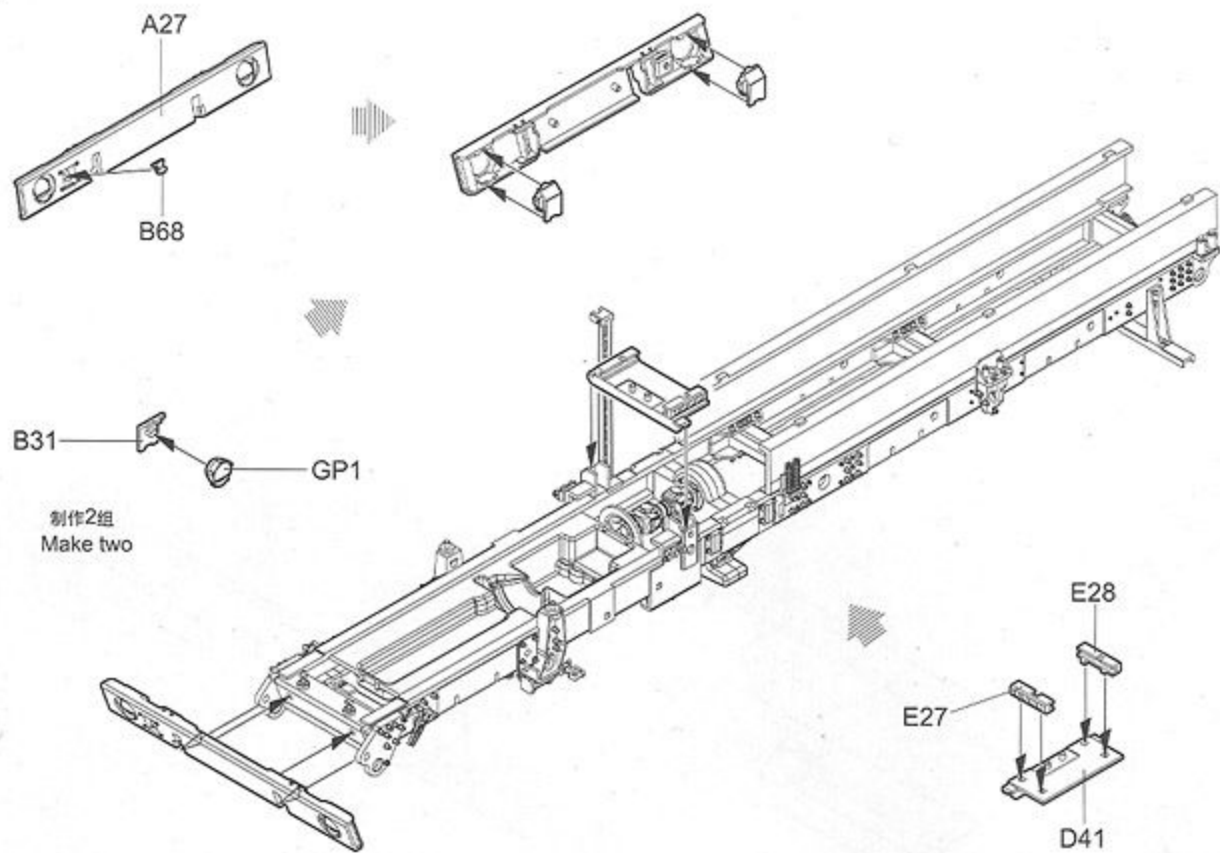


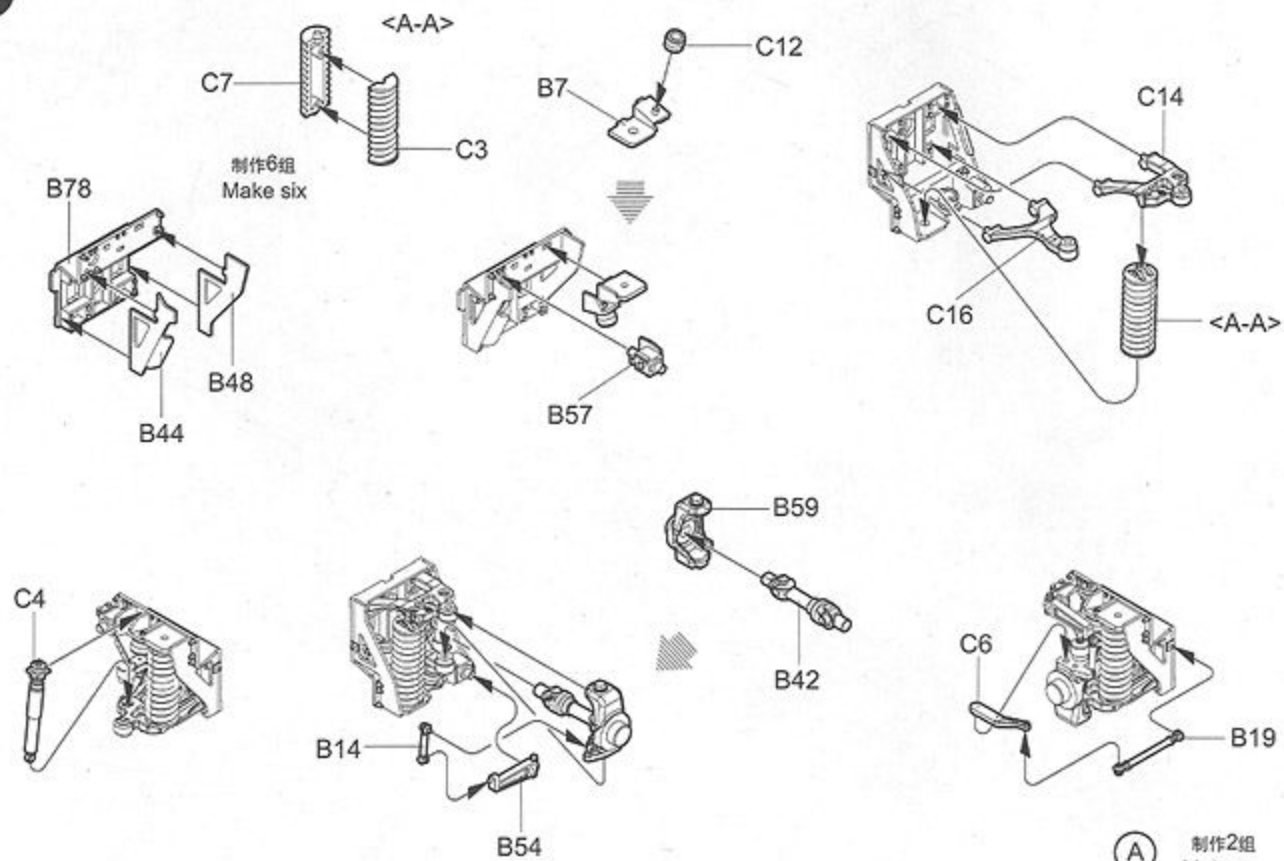
1



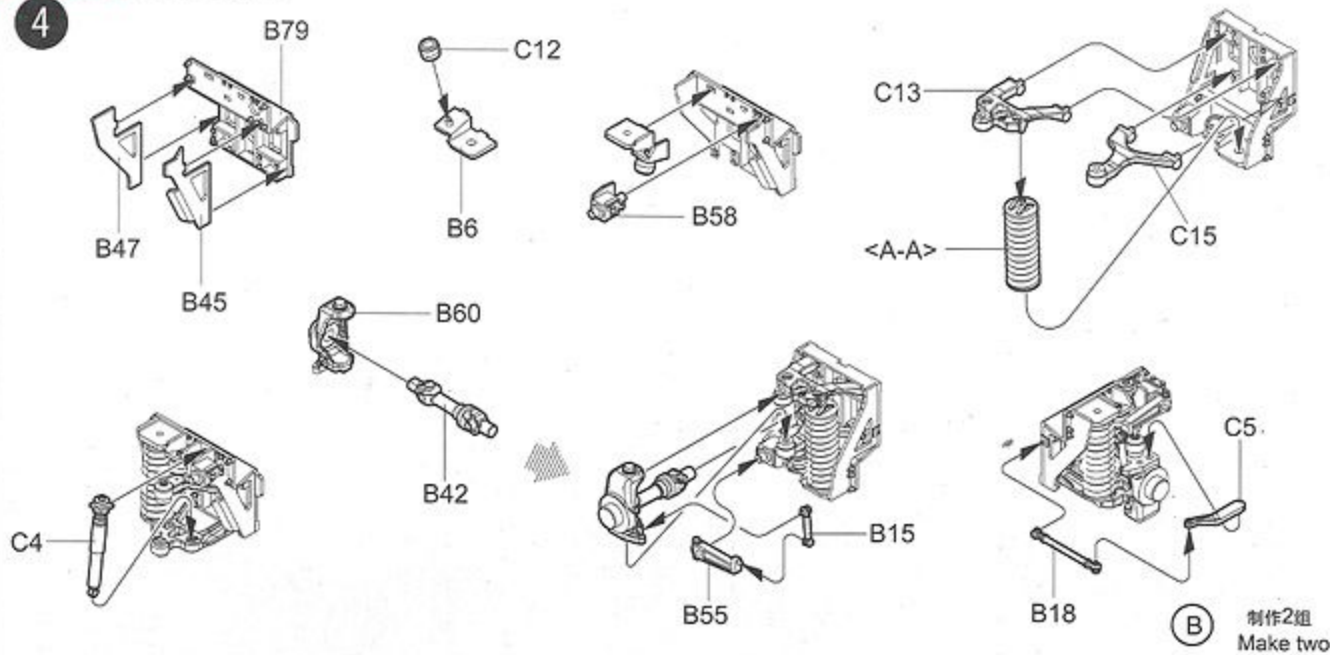
2



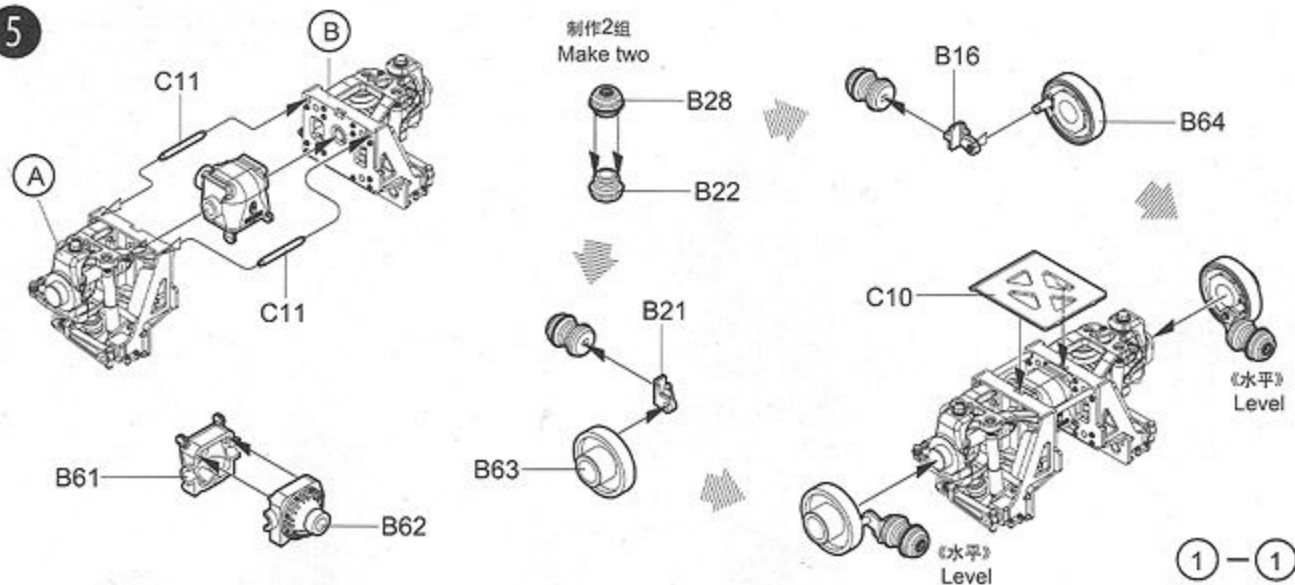
3



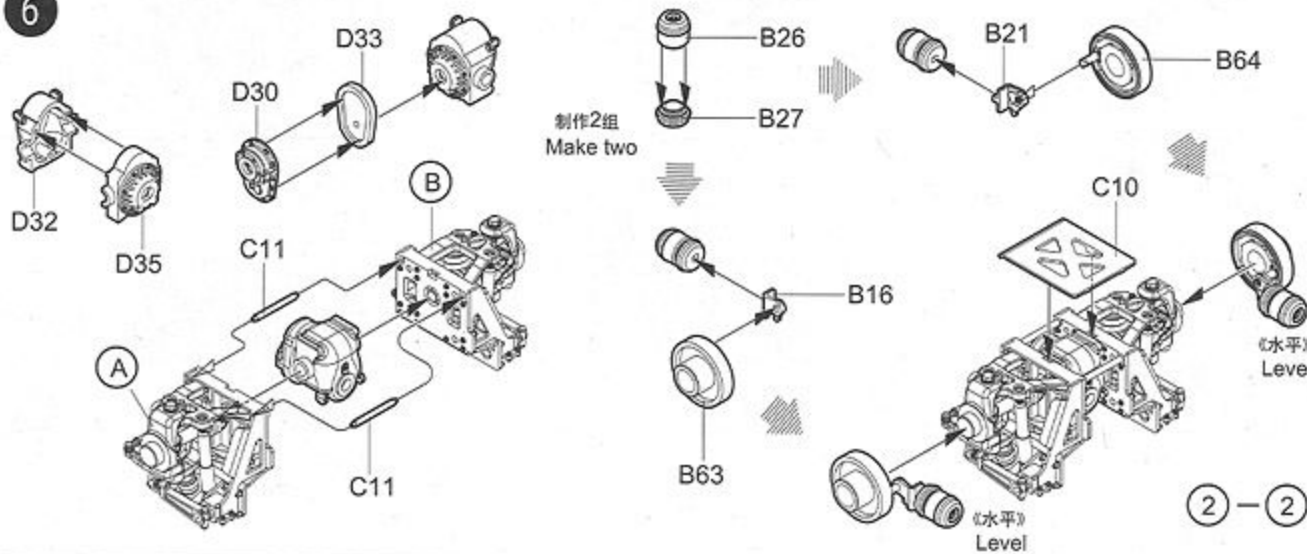
4



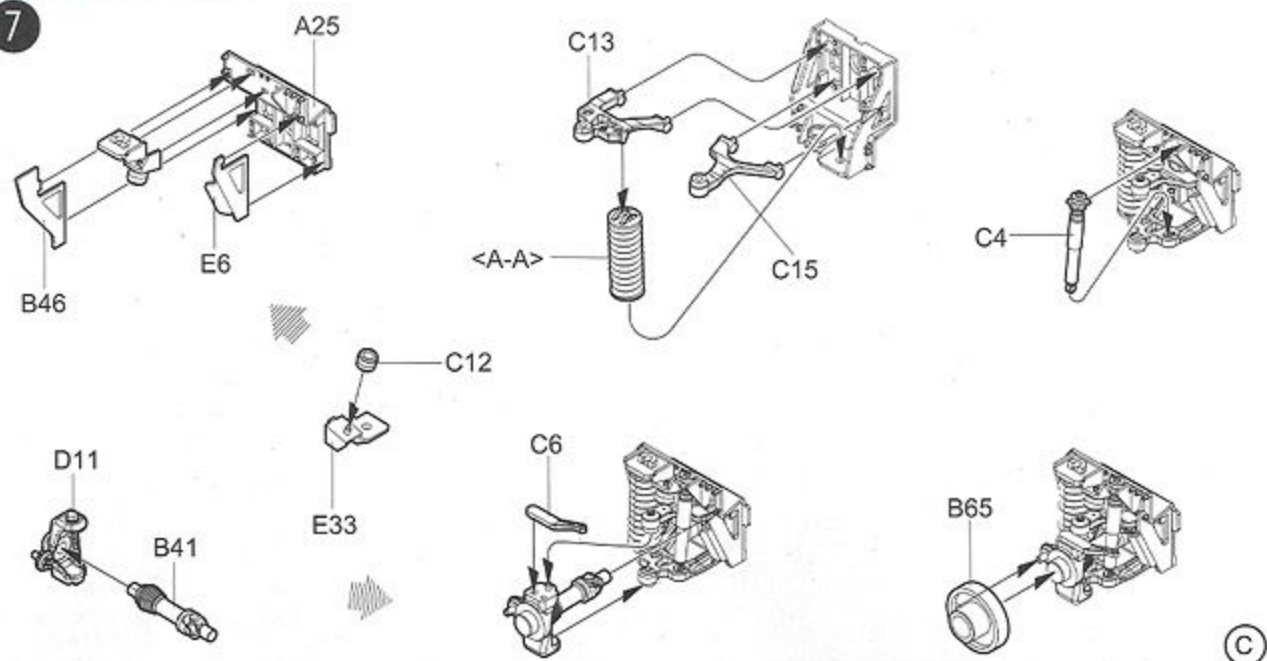
5



6

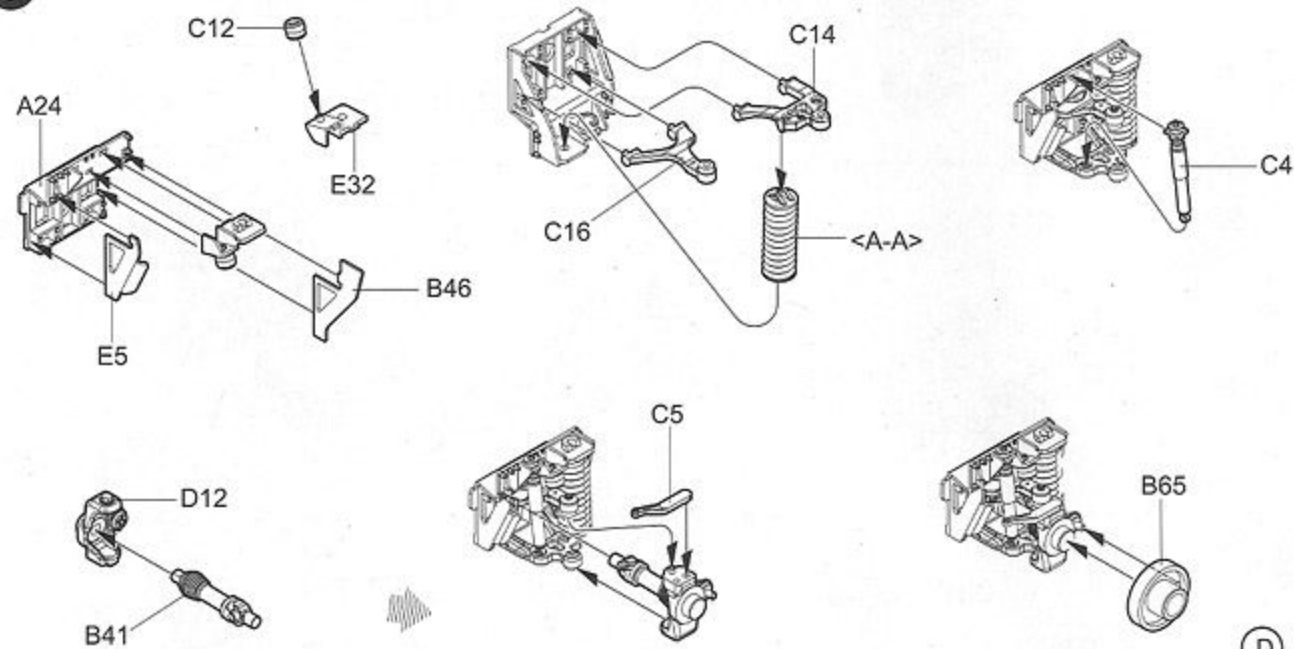


7



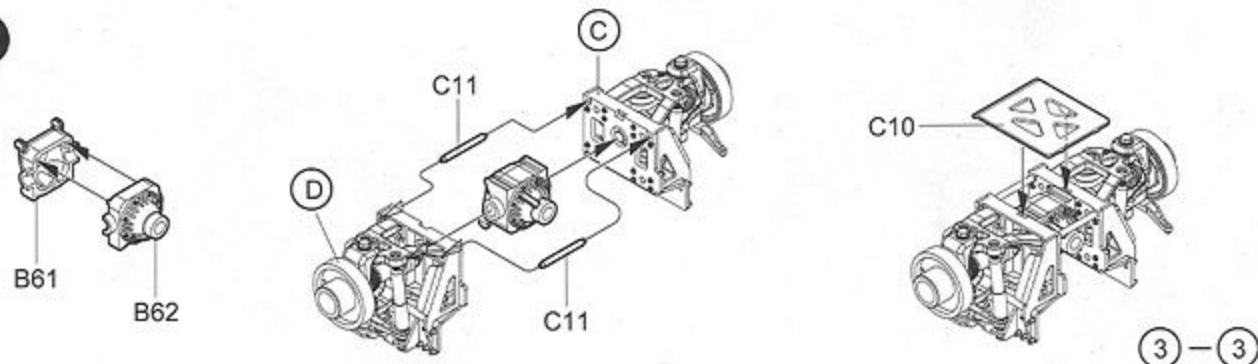
C

8



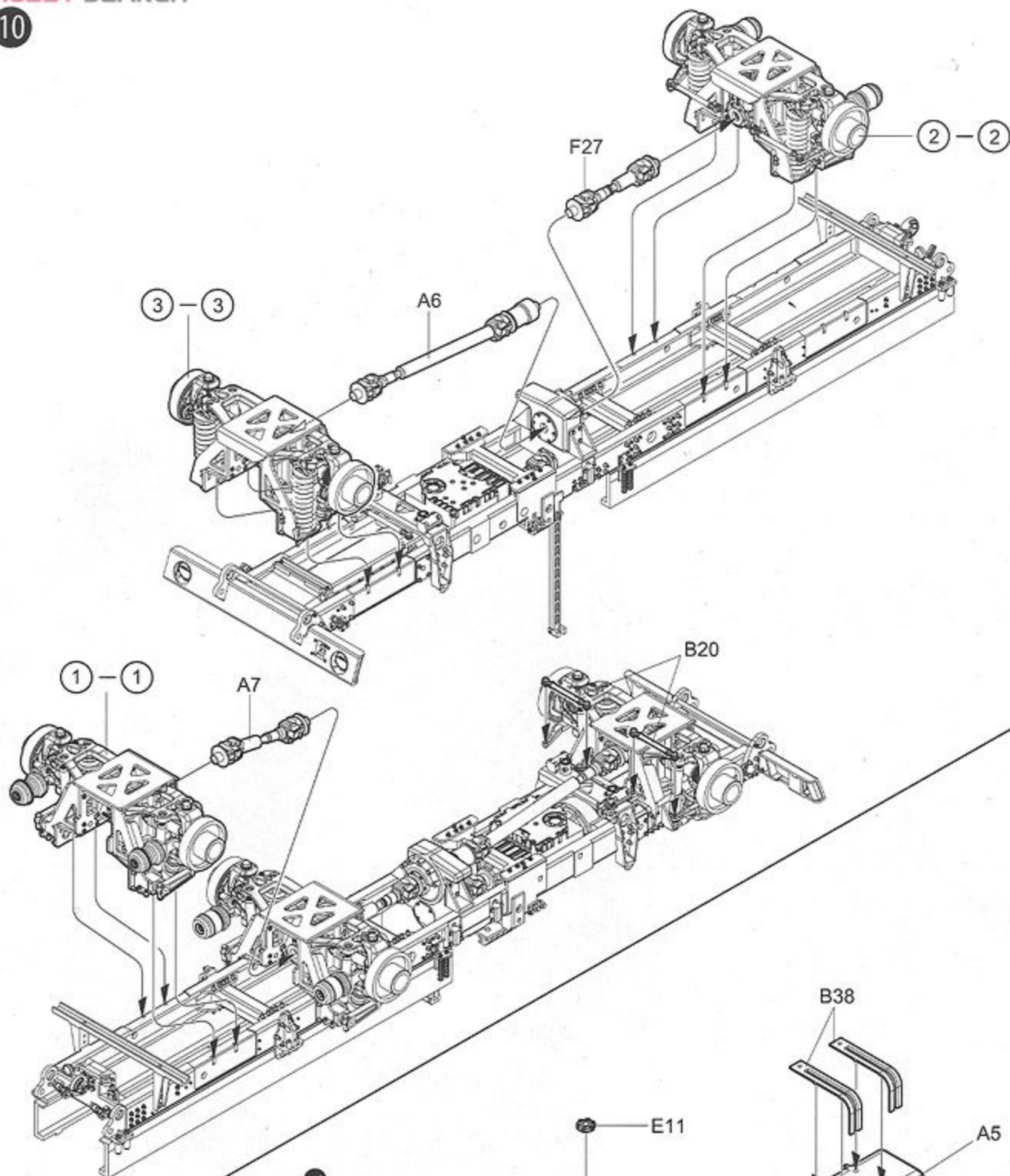
D

9

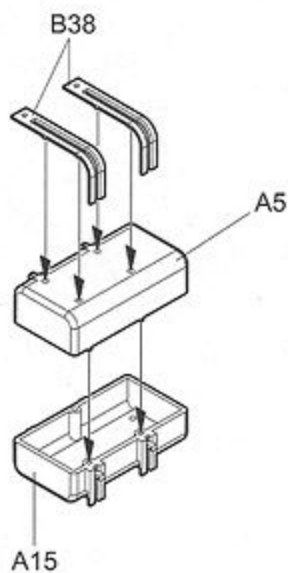
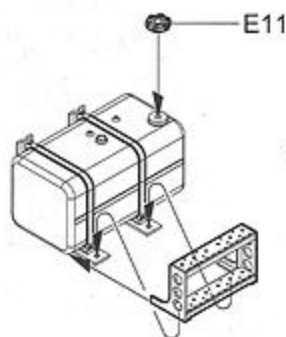
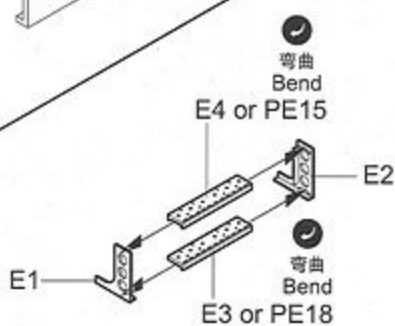


3-3

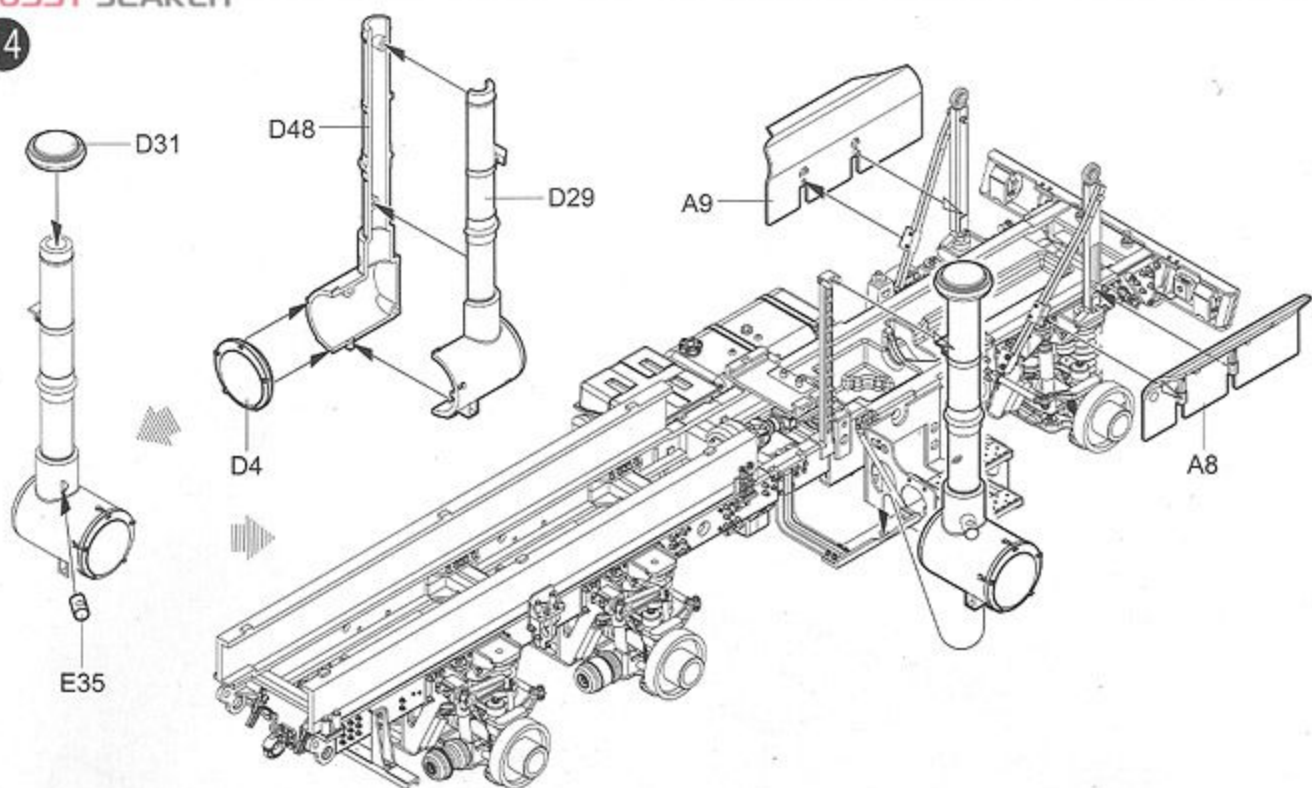
10



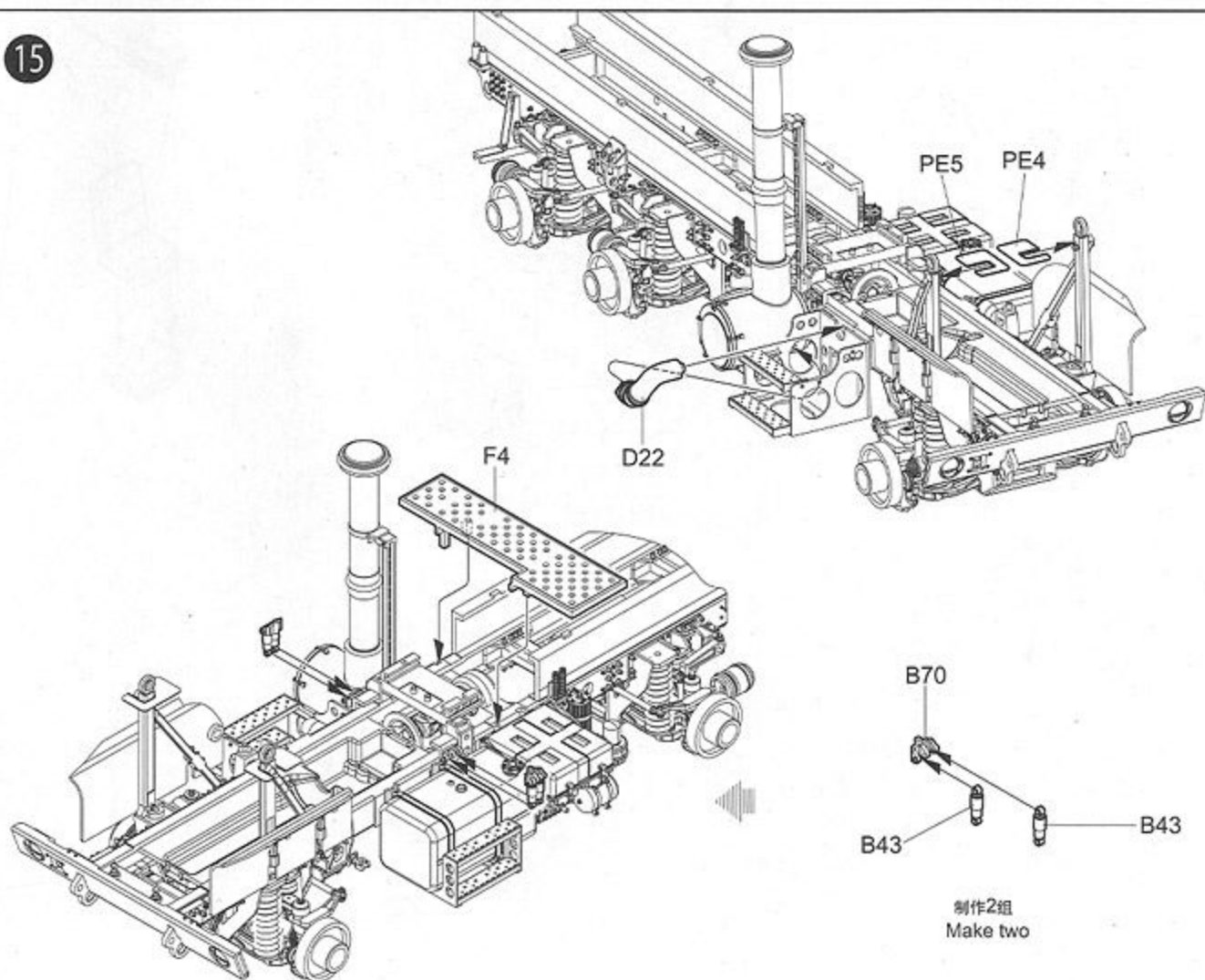
11

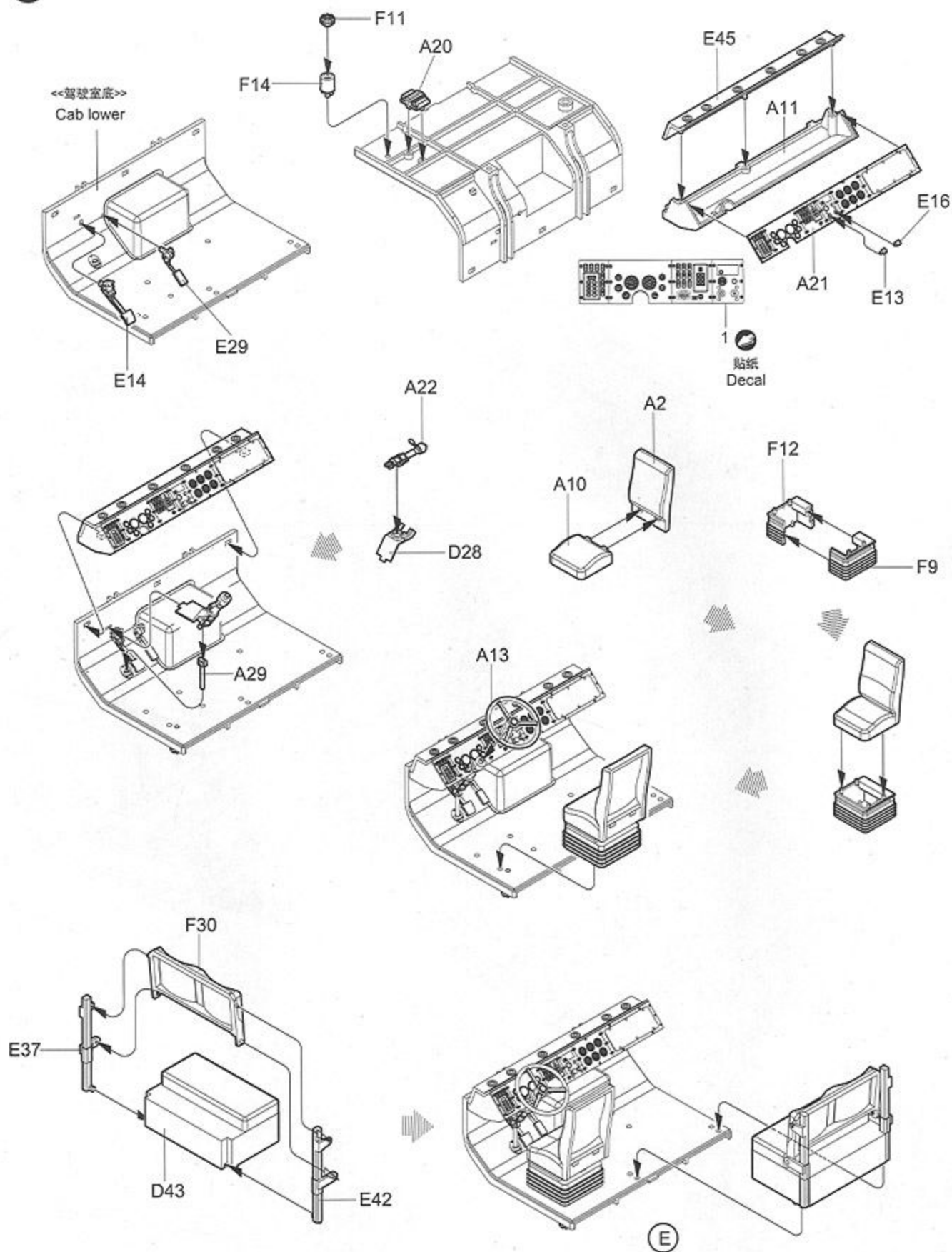


14

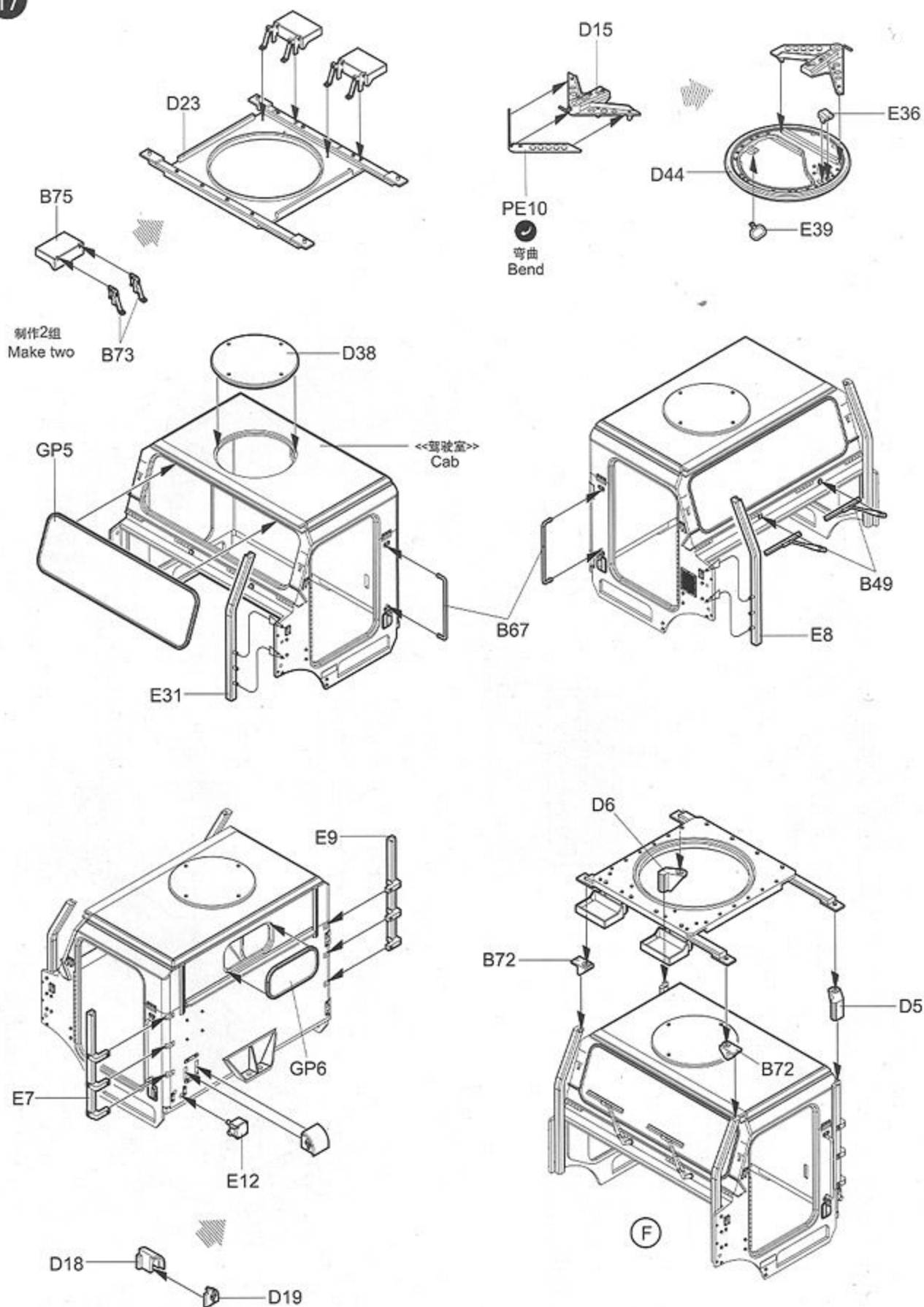


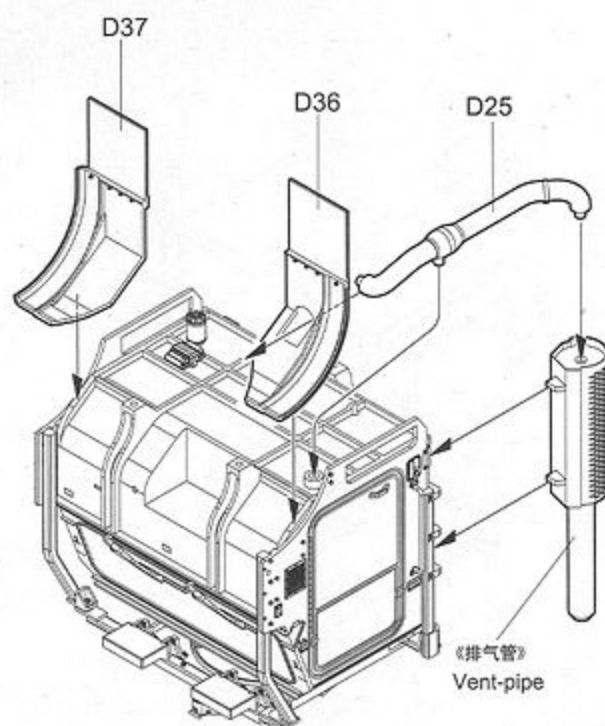
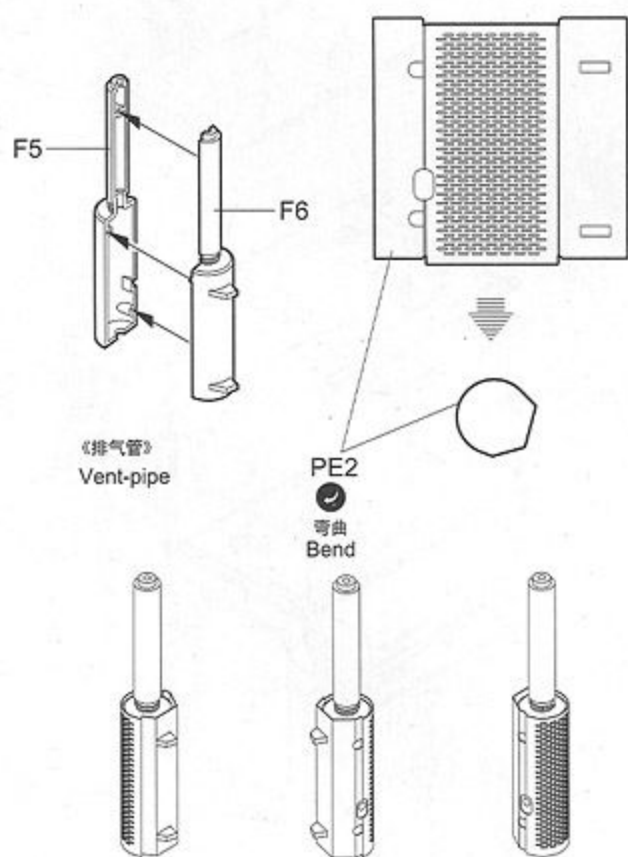
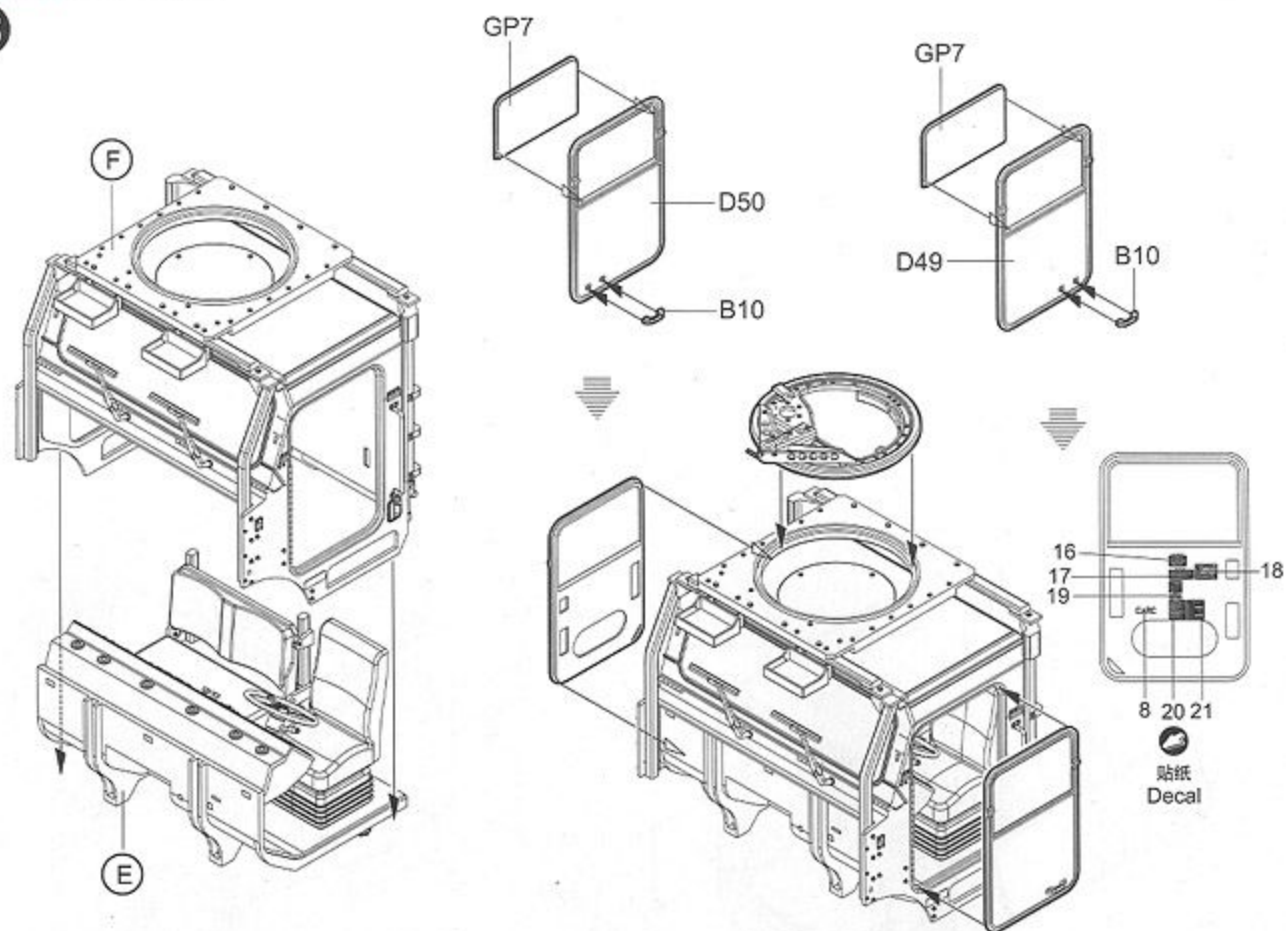
15



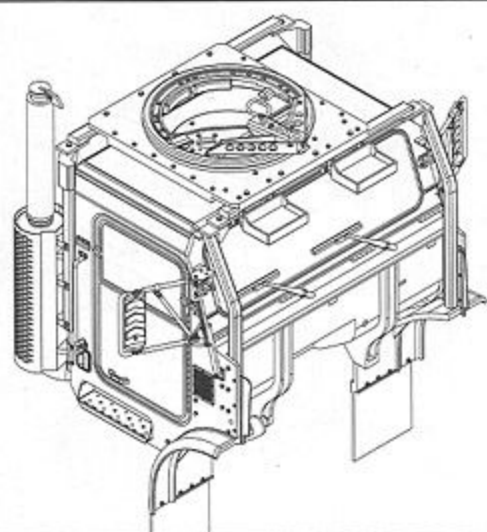
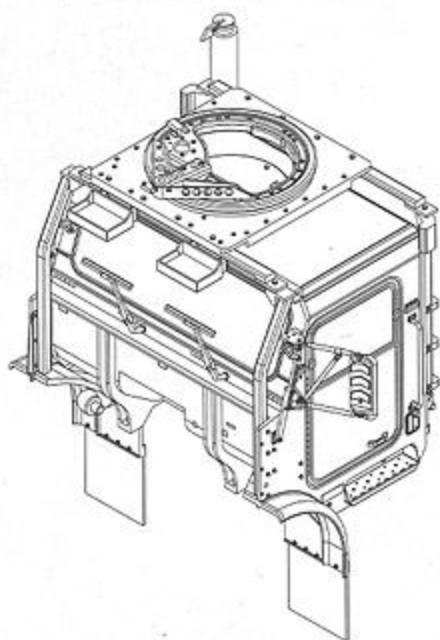
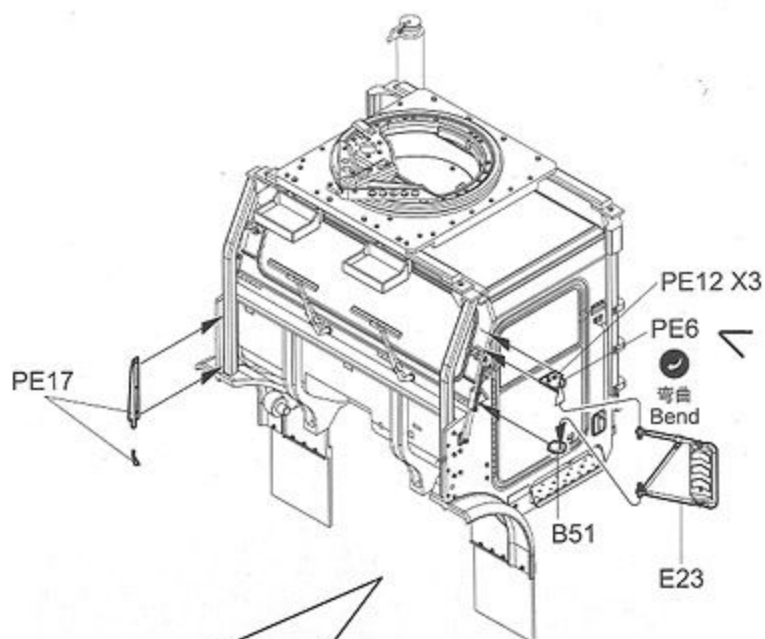
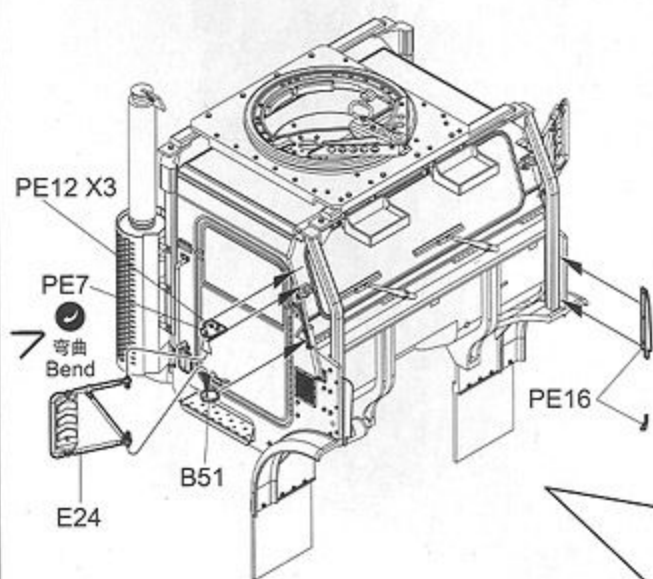
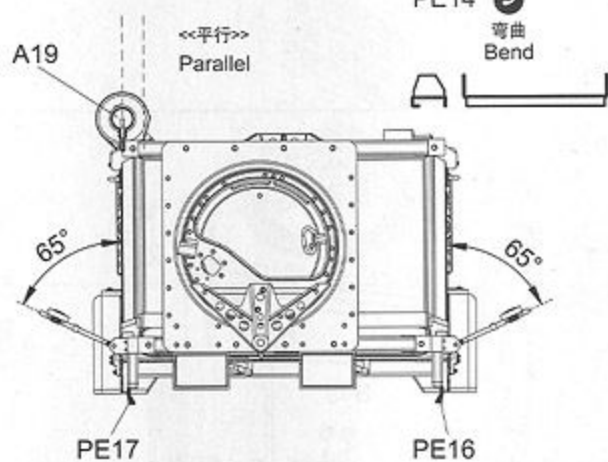
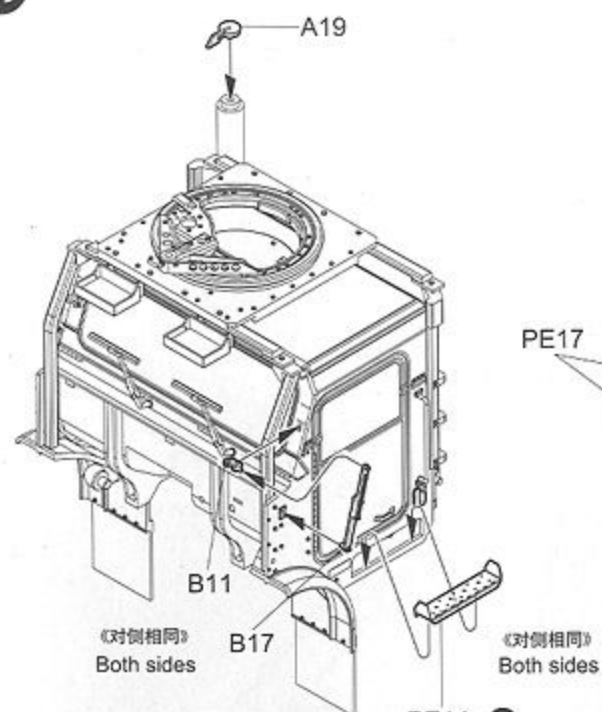


17

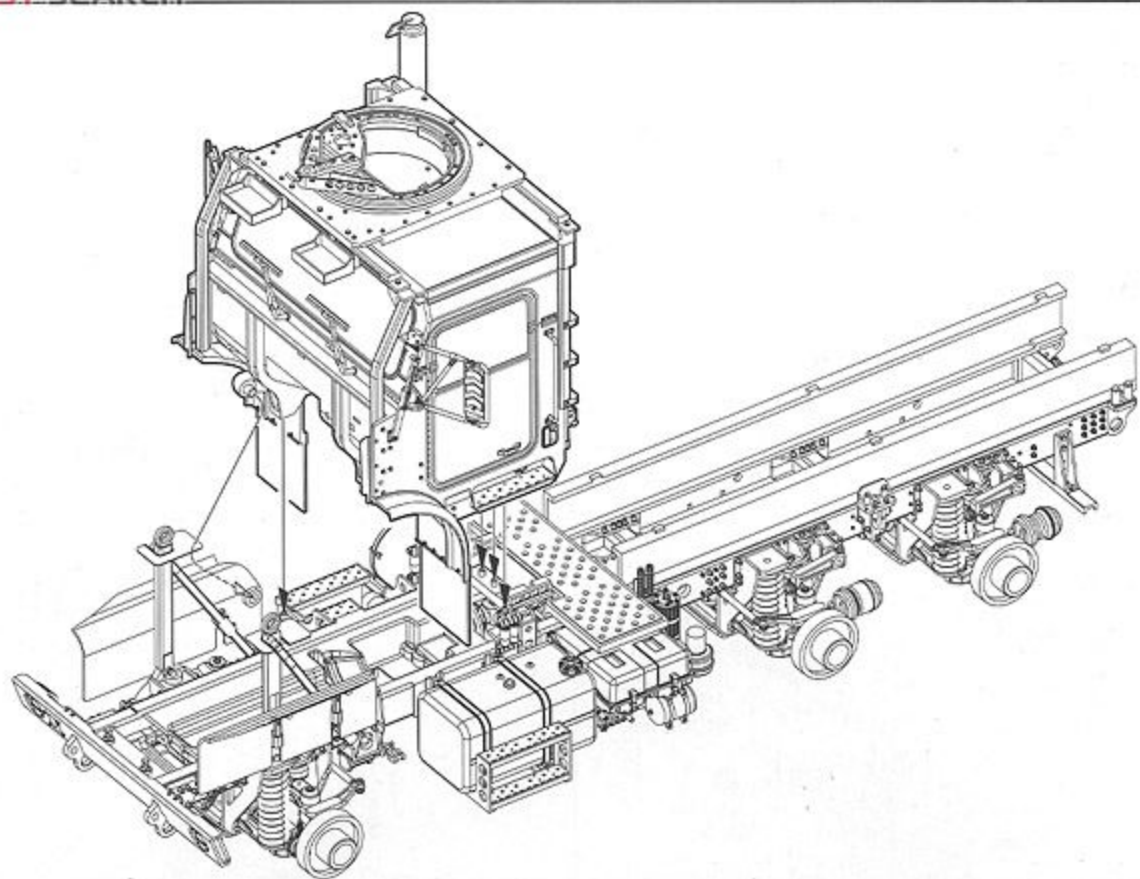




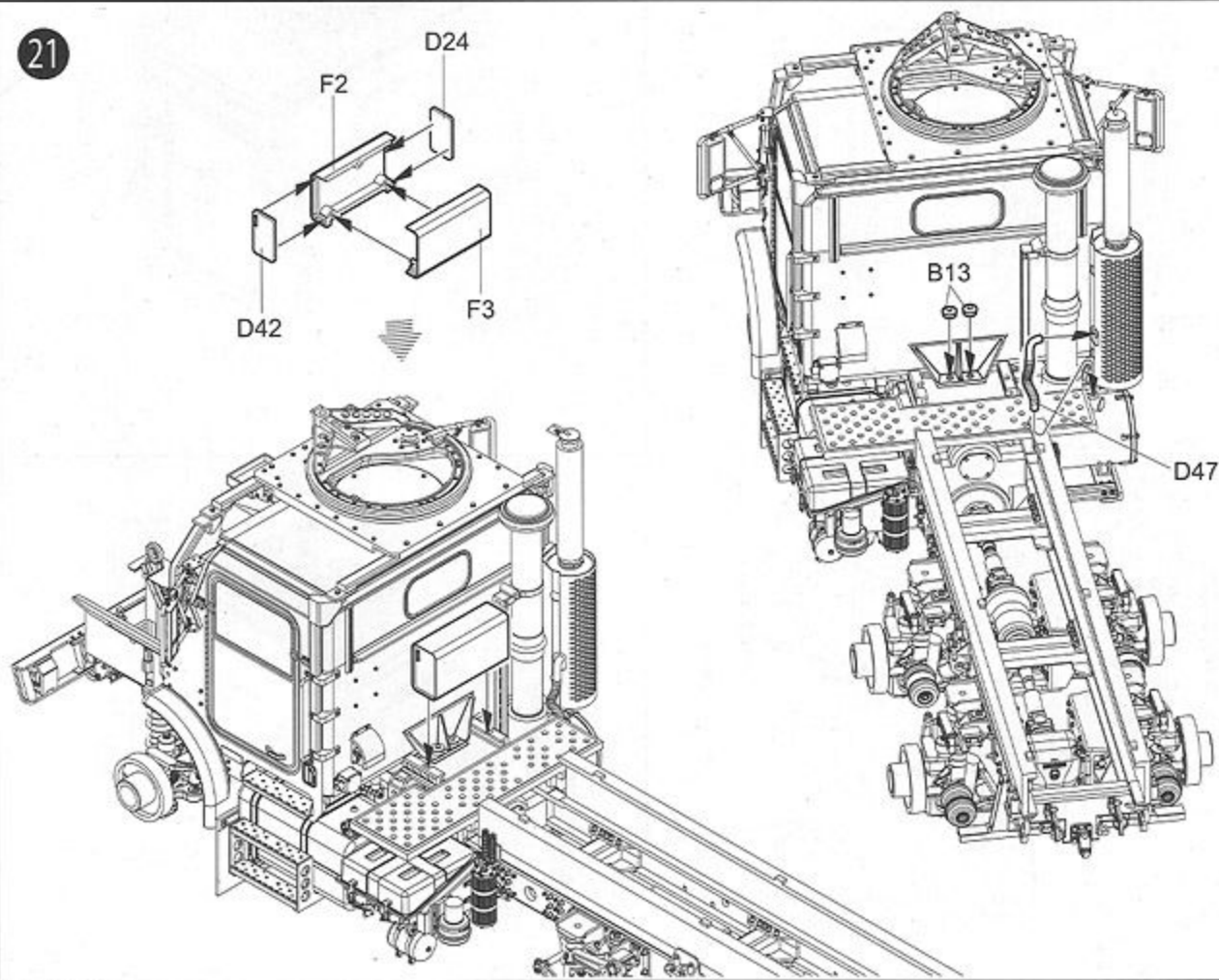
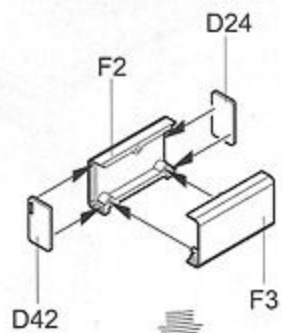
注意：D25同排气管参考P14的D47配合组装。
Notice: D25.vent-pipe and D47 refer to page 14 for assembly



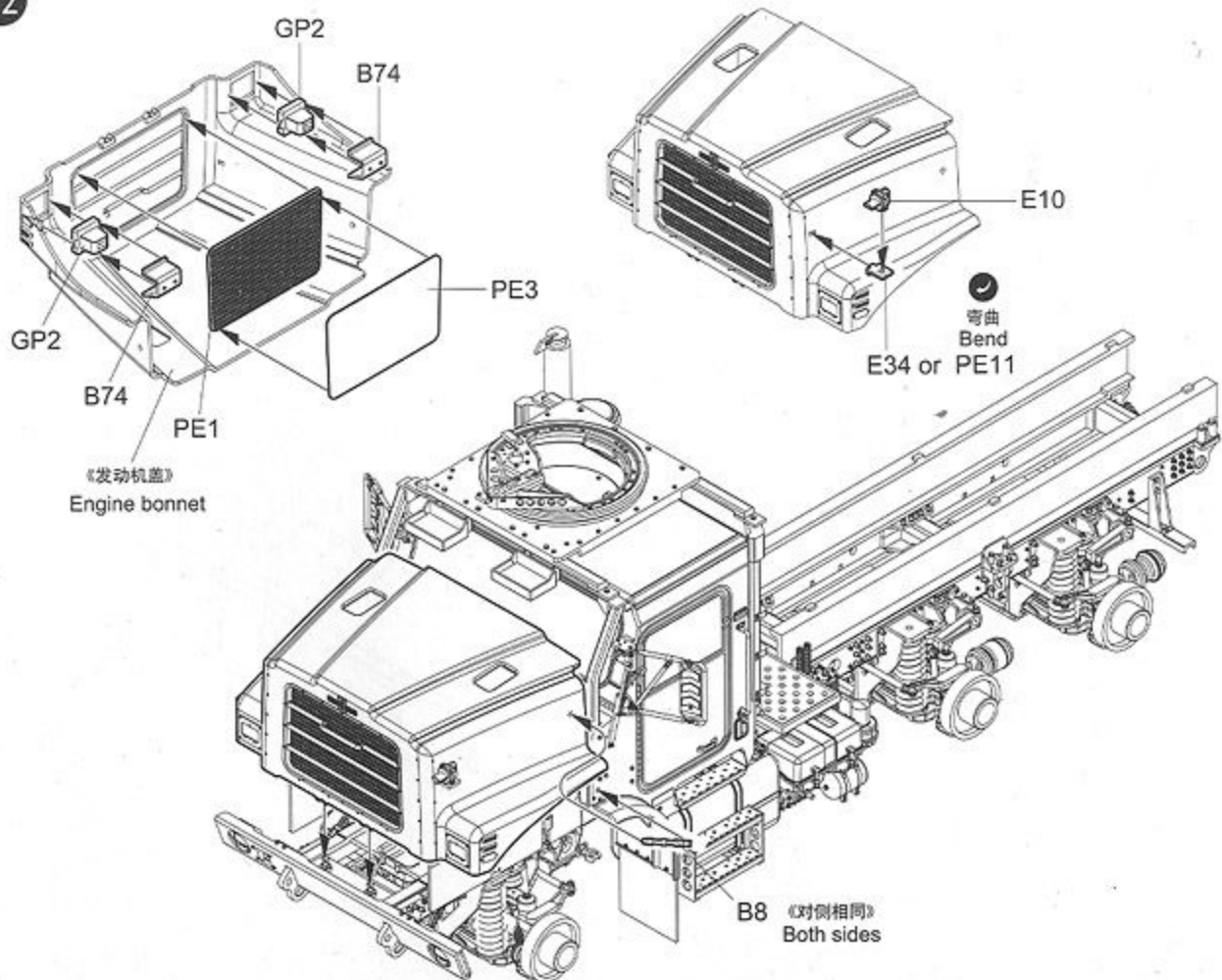
20



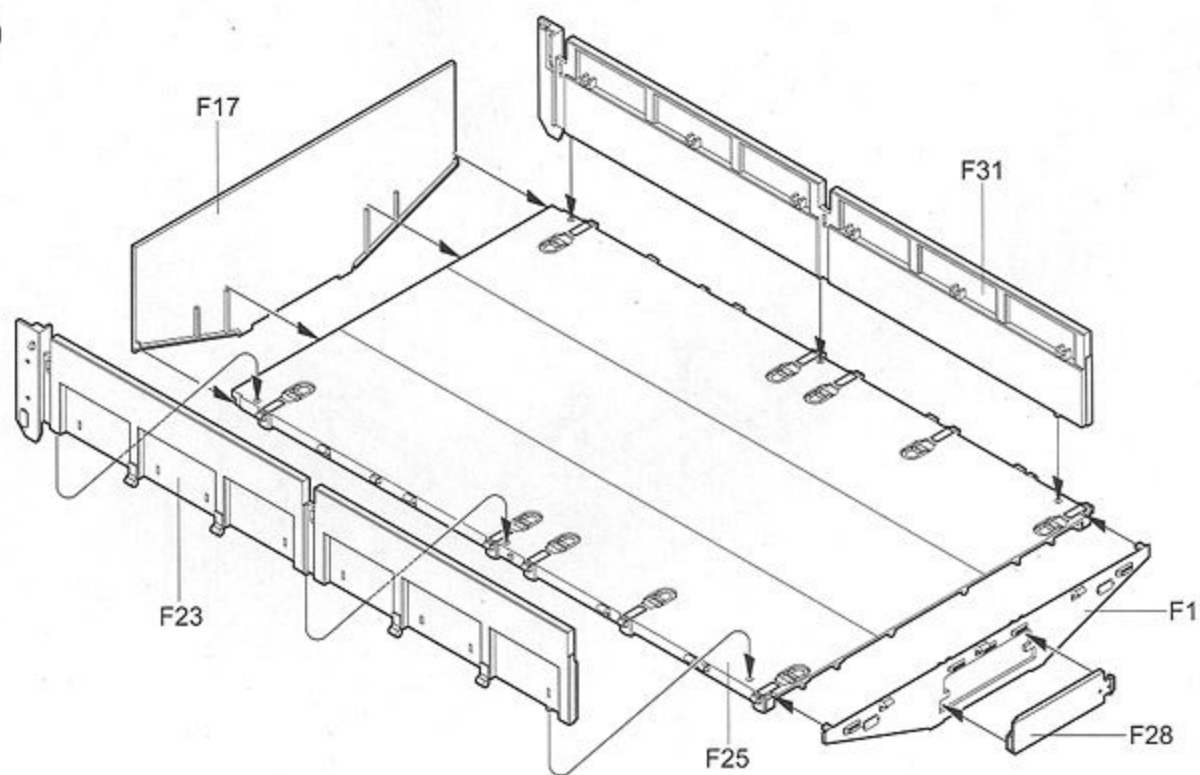
21



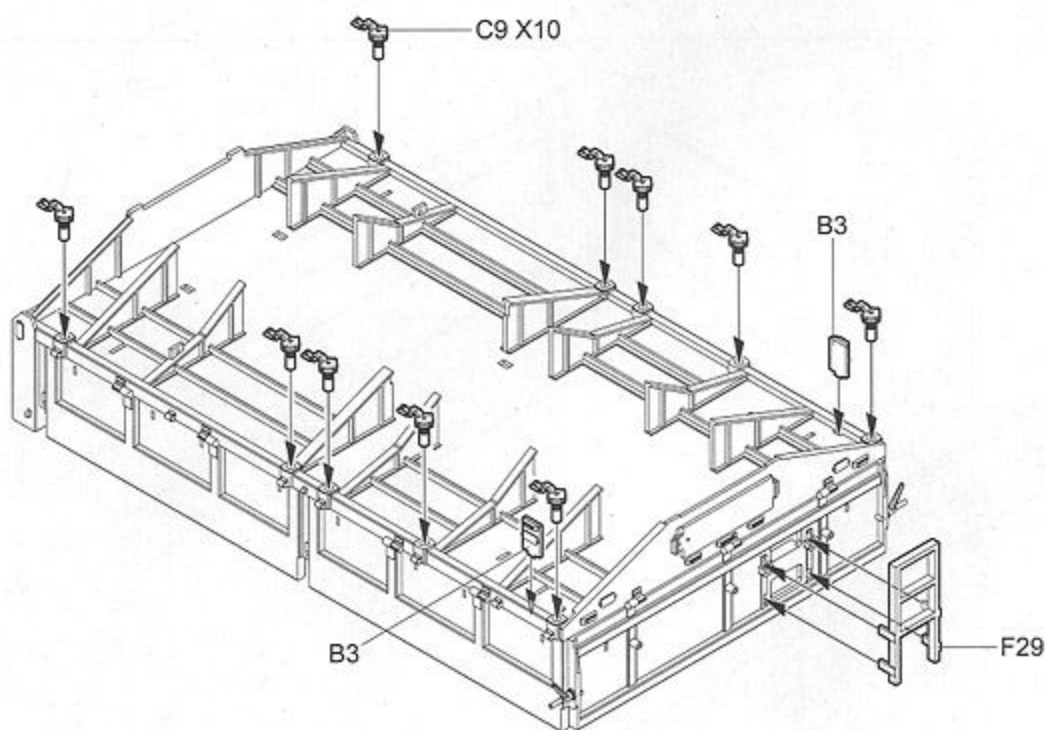
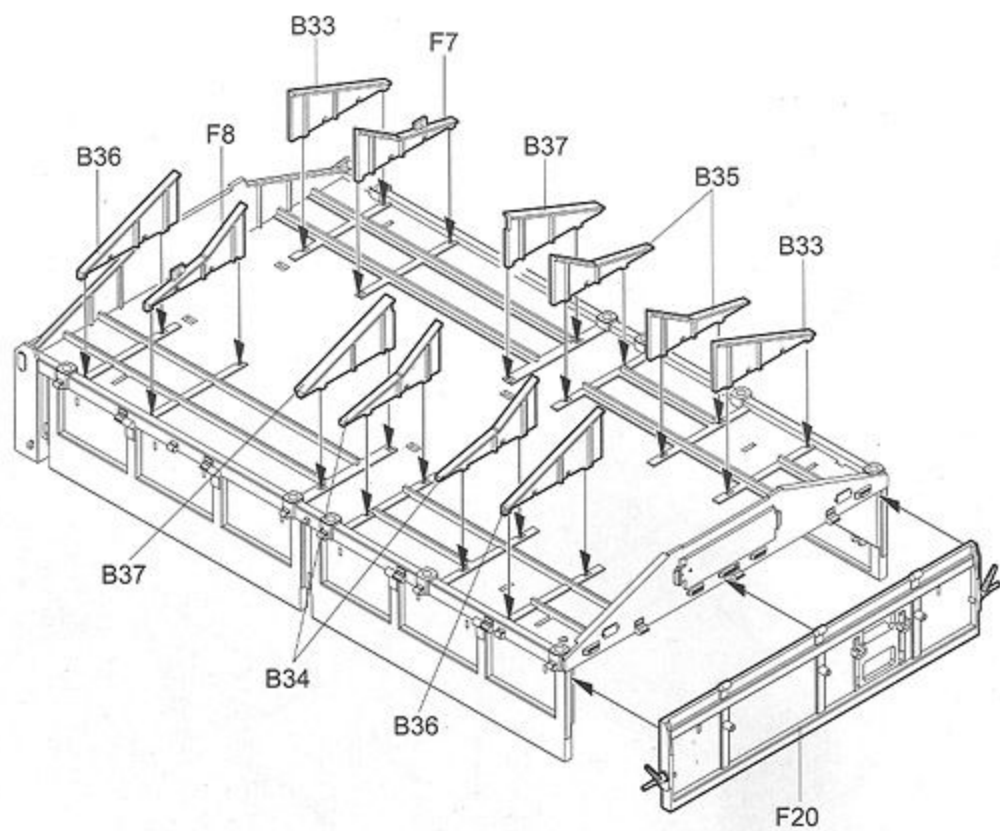
22

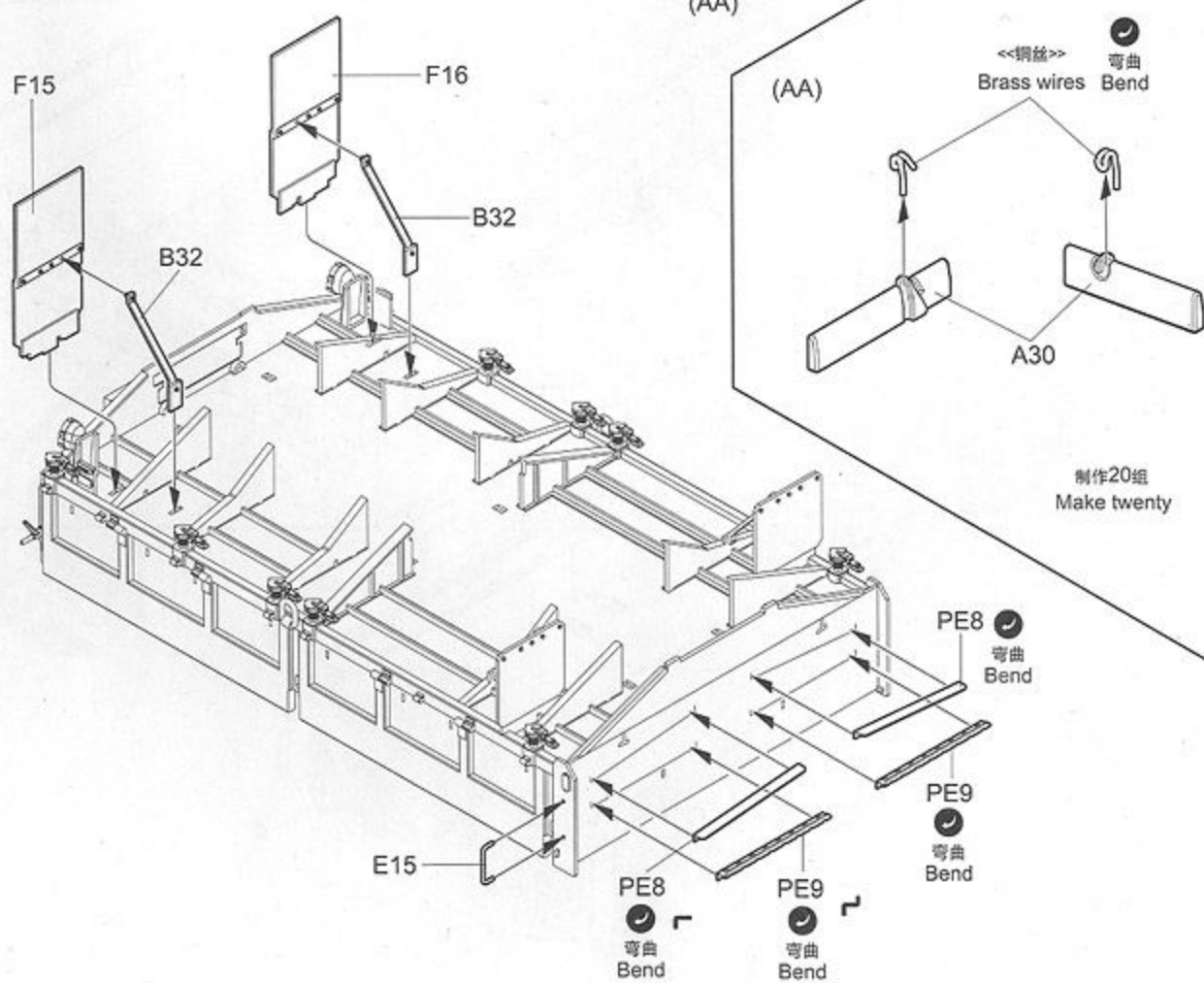
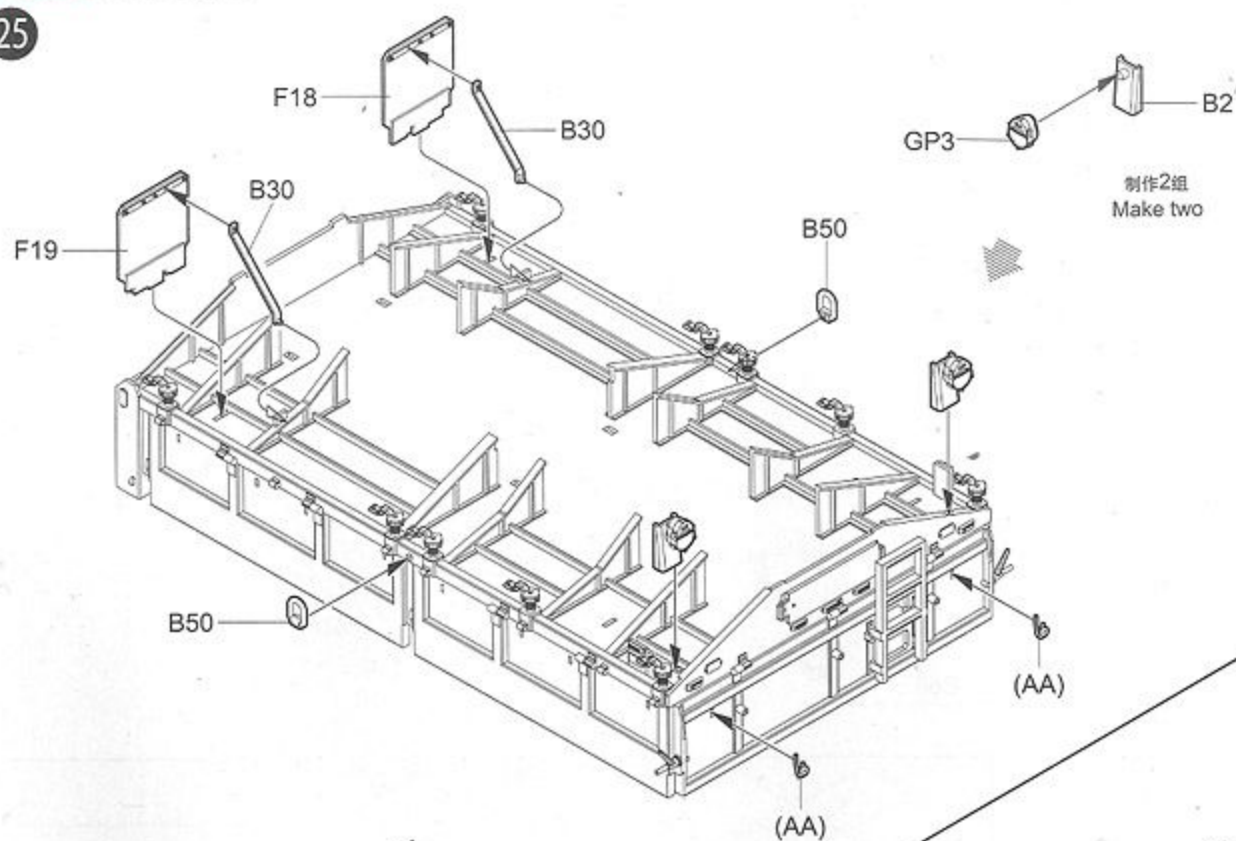


23



24





26

《对侧相同》
Both sides

C2X7

B66

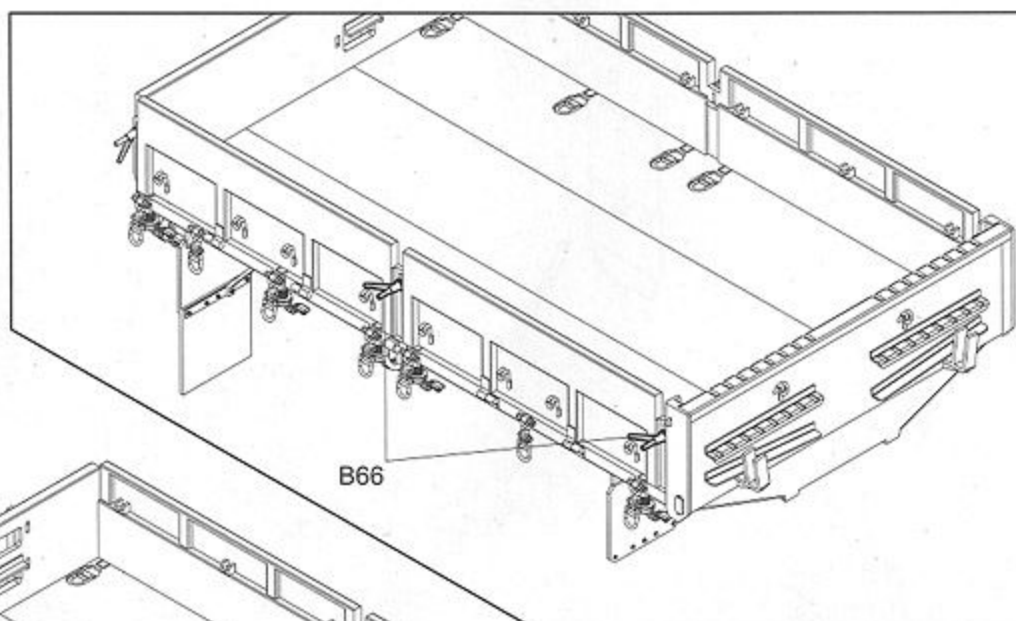
《对侧相同》
Both sides

B66

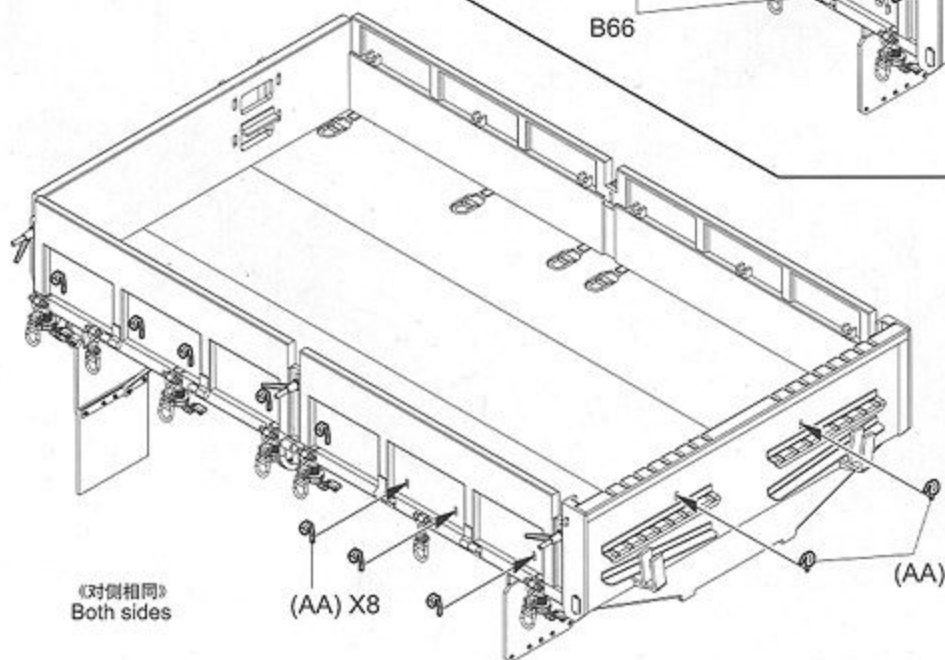
F22

B44

B43



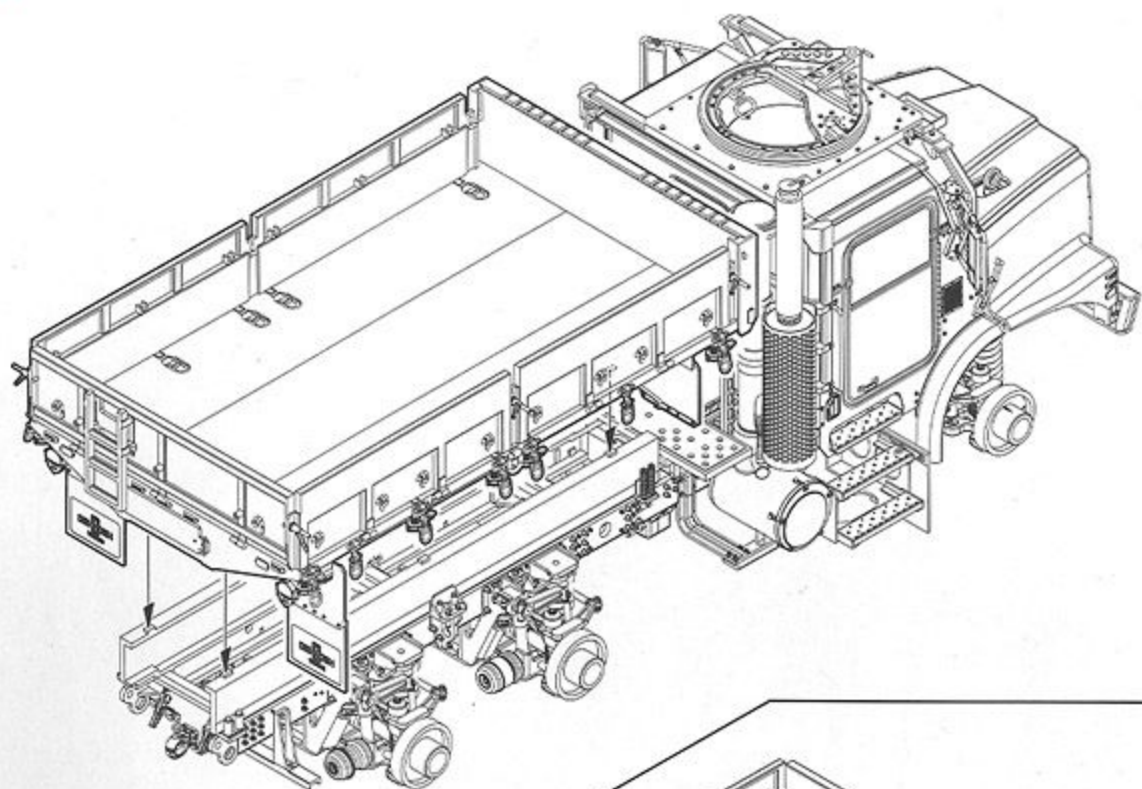
B66

《对侧相同》
Both sides

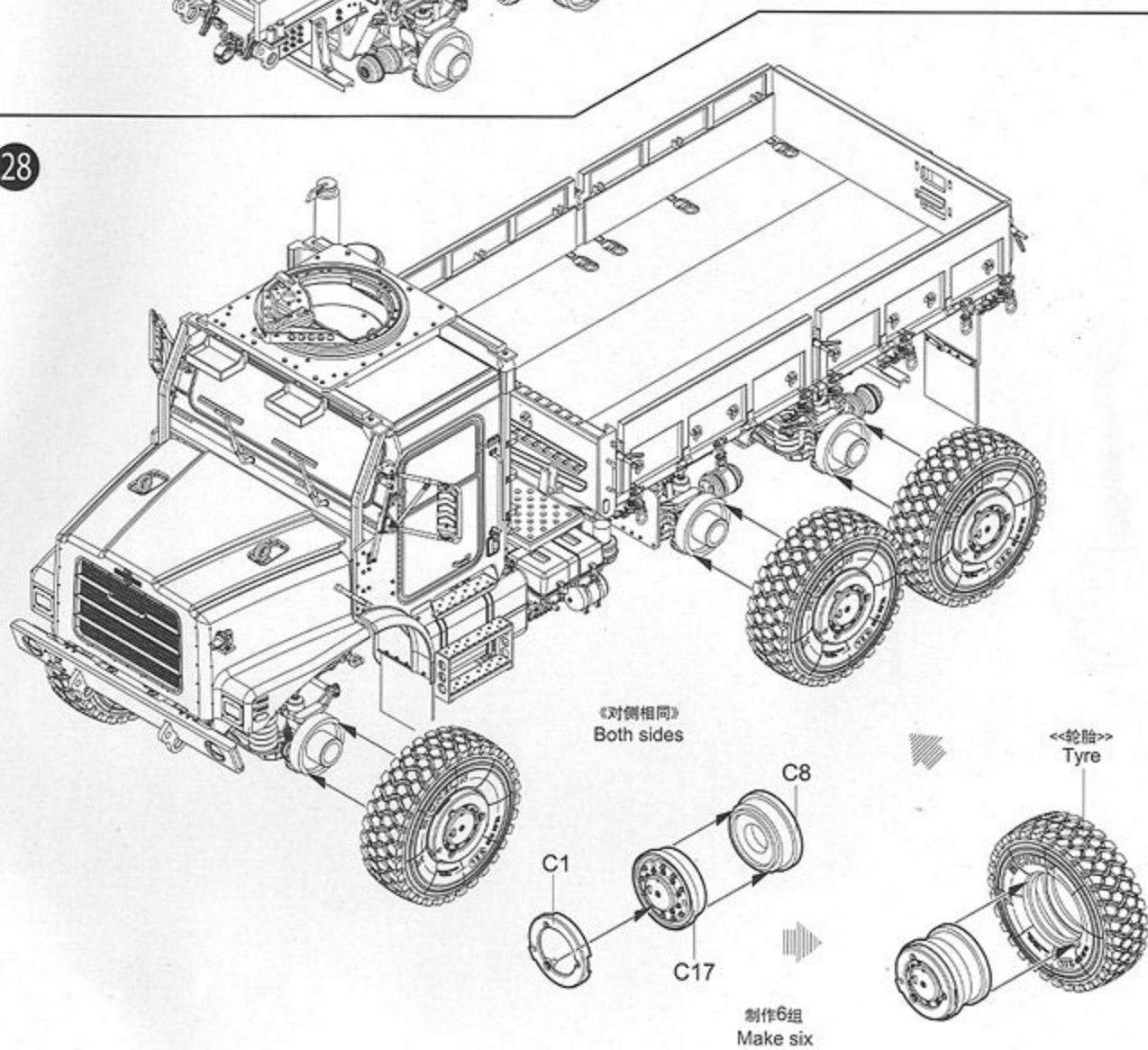
(AA) X8

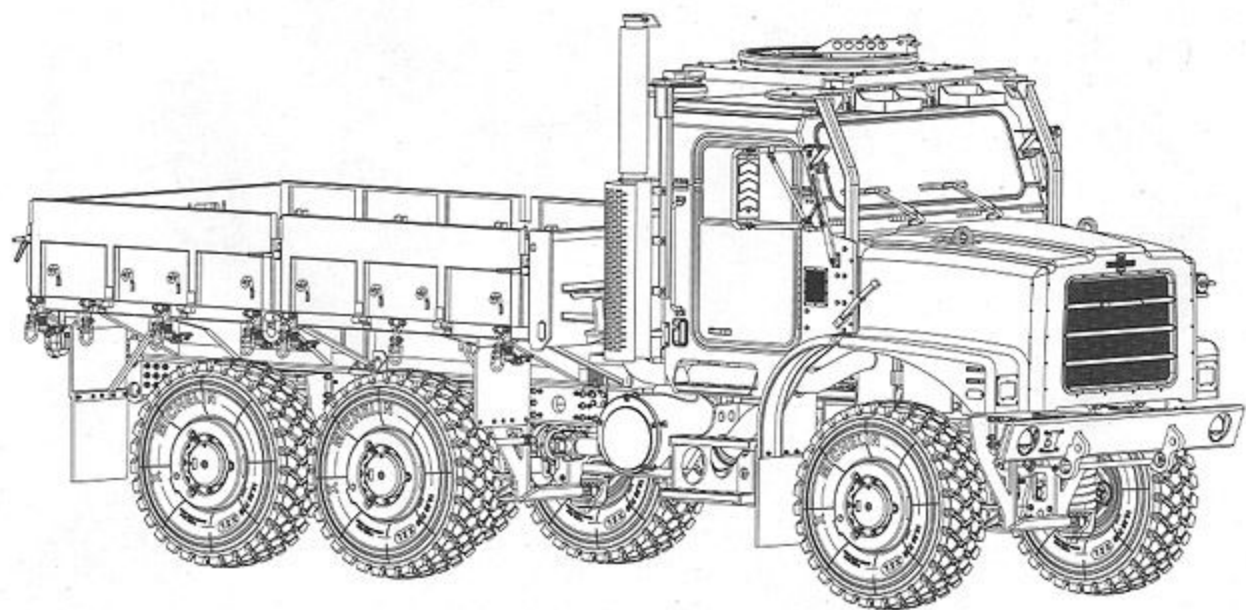
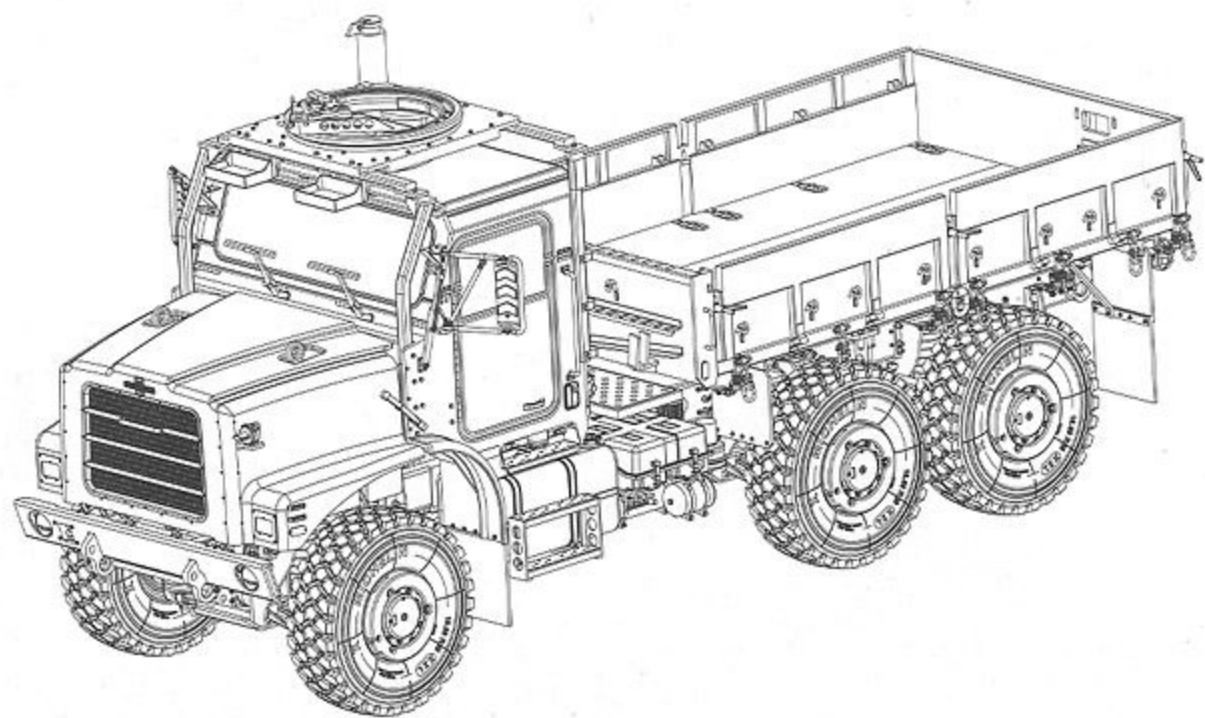
(AA)

27



28





PAINT REFERENCE COLOUR

Color	Mr Hobby	Vallejo	Model Master	Tamiya	Humbrol
Tire Black 轮胎黑	H77 137	-	-	-	-
Light Green 浅绿	H312 312	-	1713	XF20	117
Wood Brown 木棕色	H37 43	963	1701	-	186
Shade 阴影色	H18 28	864	1402	-	-

A



H AQUEOUS HOBBY COLOR

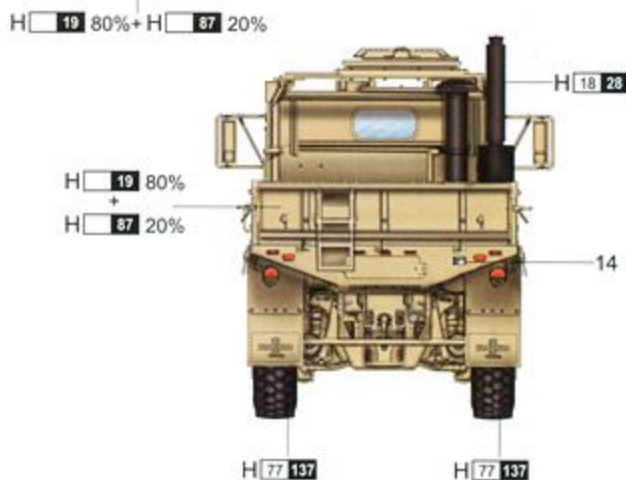
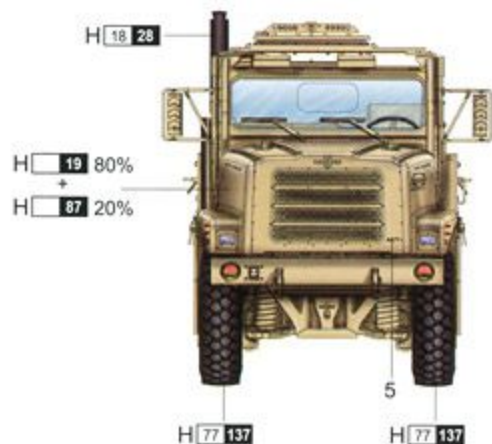
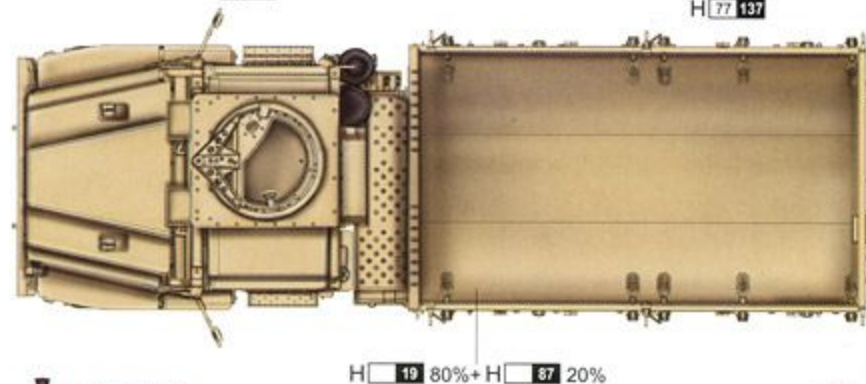
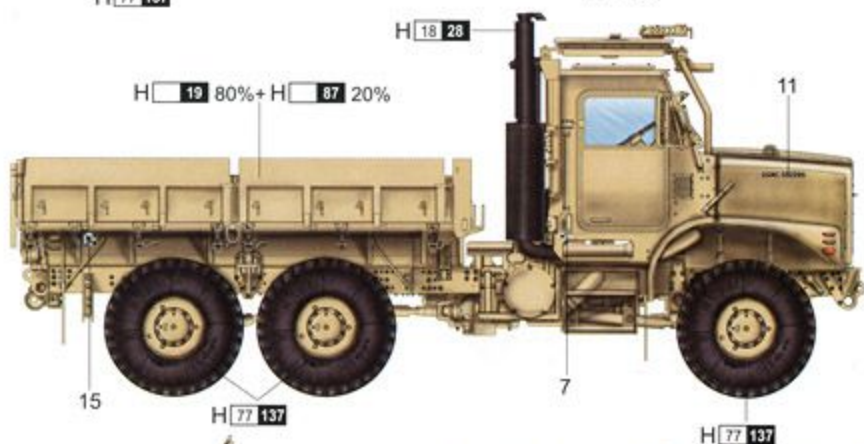
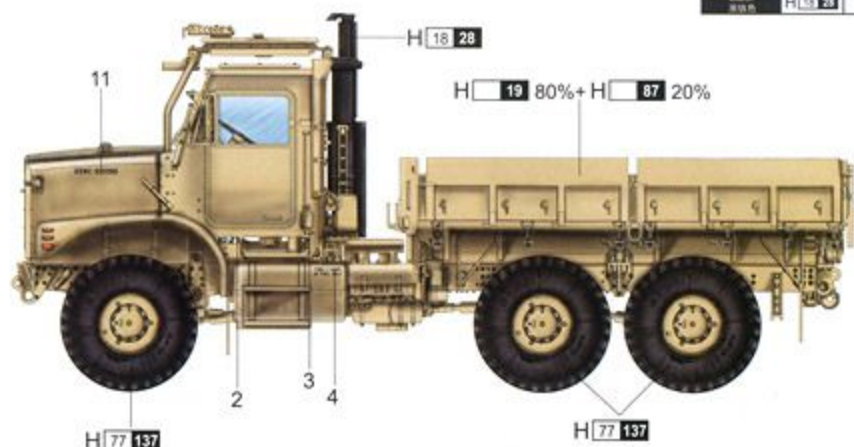
■ Mr. COLOR

Painting & Marking guide

B

PAINT REFERENCE COLOUR

Color	Mr Hobby	Vallejo	Model Master	Tamiya	Humbrol
Tan Black 沙色黑	H 77 137	-	-	-	-
Sandy Brown 沙色棕	H 18 19	-	-	-	-
Light Brown 浅棕色	H 87 87	-	-	-	-
Steel 钢色	H 13 23	884	1402	-	-



H AQUEOUS HOBBY COLOR ■ Mr. COLOR