

Soviet T-64 MOD 1972

苏联T-64主战坦克(1972年)

READ BEFORE ASSEMBLY:

- Study and understand these instructions thoroughly before beginning assembly
- When needed, remove photo-etch parts carefully using a modeling knife or photo etch sprue cutter, being careful not to damage or lose small parts.
- Take extra care in handling photo etch parts in order to avoid injury
- Apply instant cement sparingly to photo etch parts where instructed
- Tools recommended(not included in kit):Plastic and instant cements, sprue cutters,long nose pliers,modeling knife, small files, tweezers, pin vise & scissors. Soft cloth and sandpaper will also assist in construction
- Glue and paint are not included in the kit. Use plastic cement and hobby paints only. Color guide for purchasing paint is included in the kit.

装配之前仔细阅读

- 小心用模型锉刀锉平所有零件表面的注射浇口。
- 小心用刀片切下蚀刻片零件，不要遗失小零件。
- 用强力快干胶水粘合蚀刻片零件和金属轴。过量快干胶水使用可能导致可动零件会粘住，小心涂胶。
- 取蚀刻片时应特别注意安全，防止利边划伤手指。
- 某些零件表面需贴上水贴纸，请选择在装配的同时进行。
- 推荐模型工具(自备)：胶水，水口剪刀，长咀钳，刀片，锉刀，镊子，钳，钻，剪刀，瞬间快干胶。
- 软布同砂纸同时也应该是必备工具。
- 请使用塑料胶水和油漆，模型内不含。



配重
Weight



使用强力胶
Cyanoacrylate glue



钻孔
Make hole



切除
Cut / Remove



贴纸
Decal



锉平
File / Sand



选择
Option



不涂胶水
No cement



弯曲
Bend

水贴纸的使用:

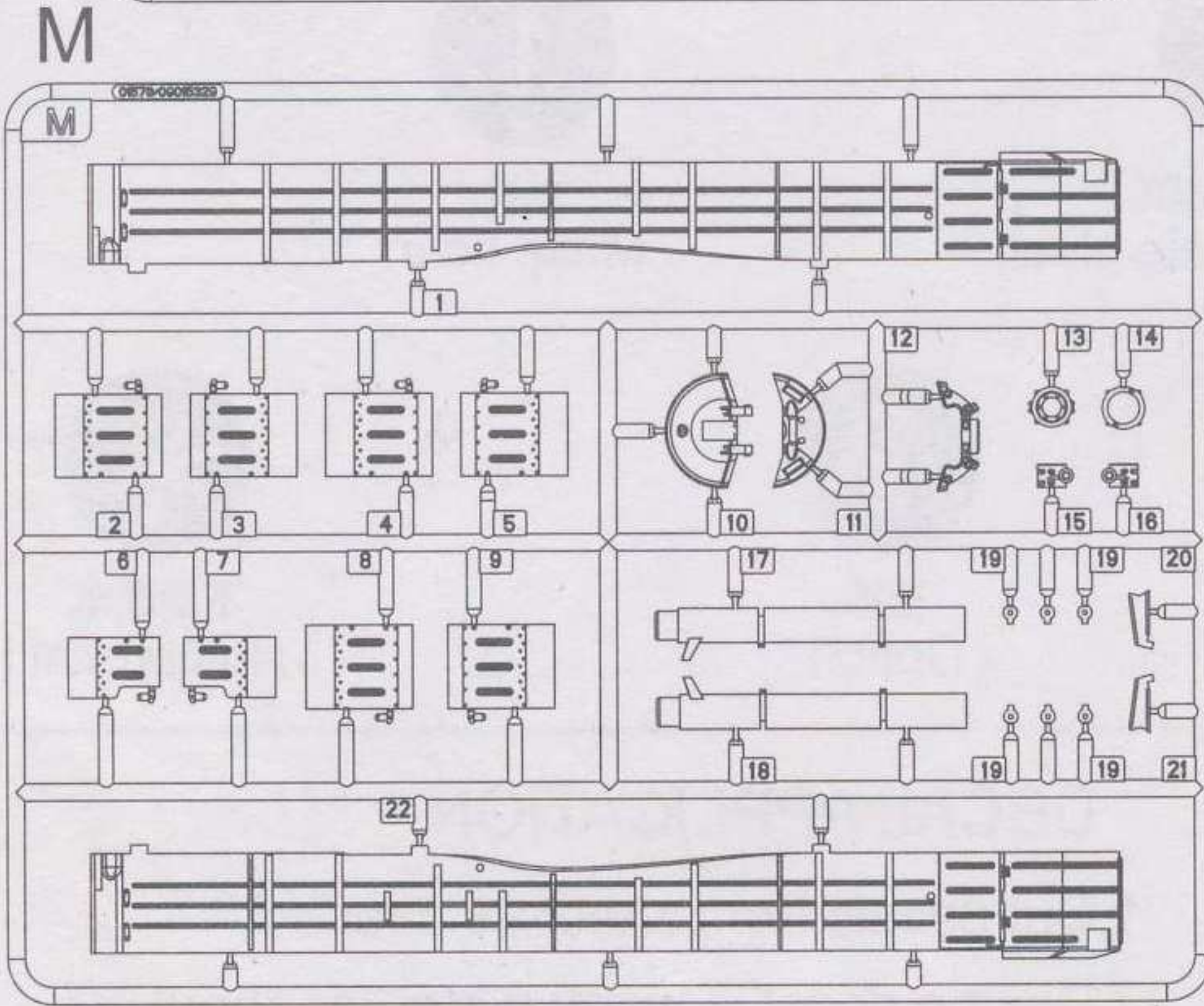
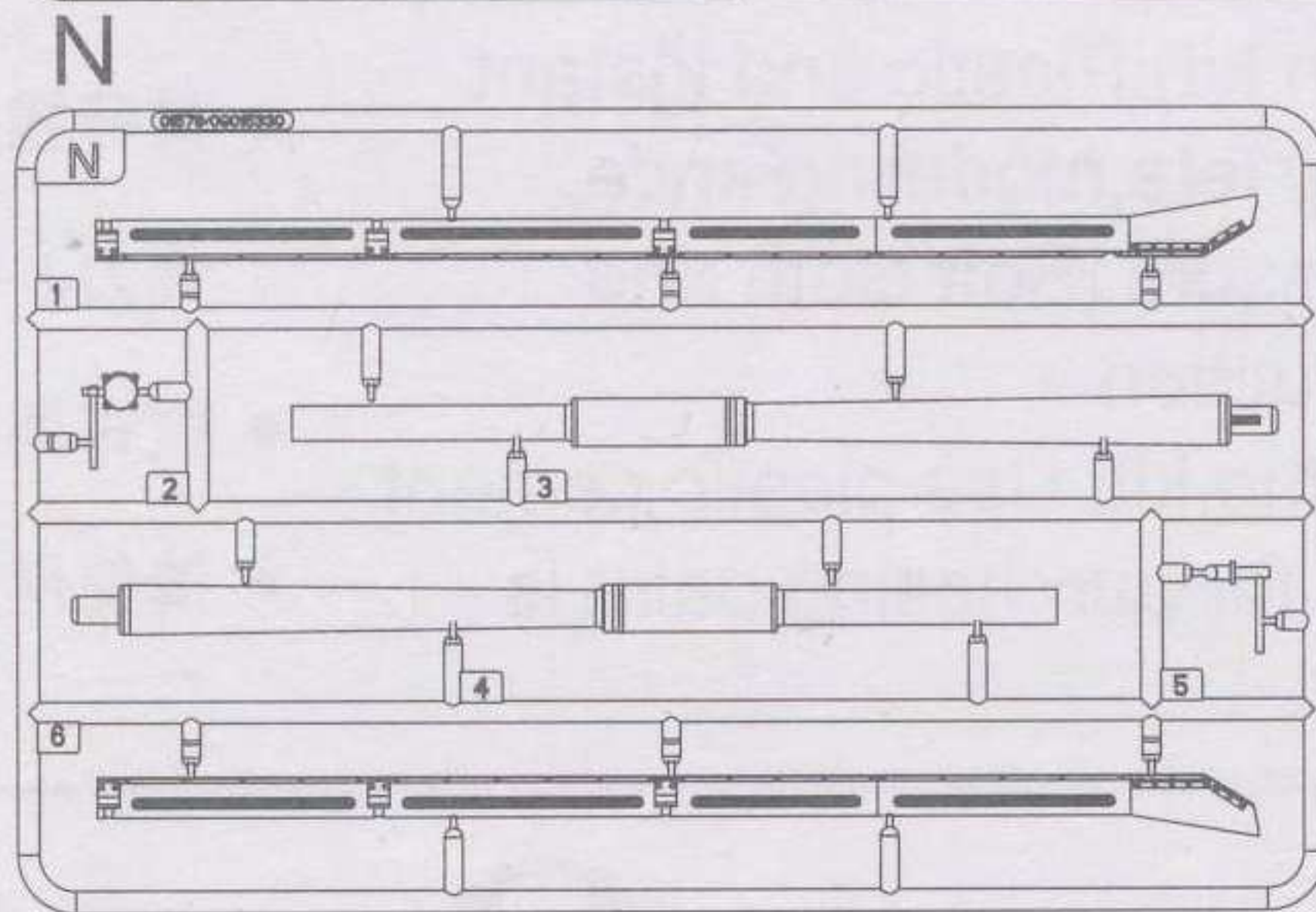
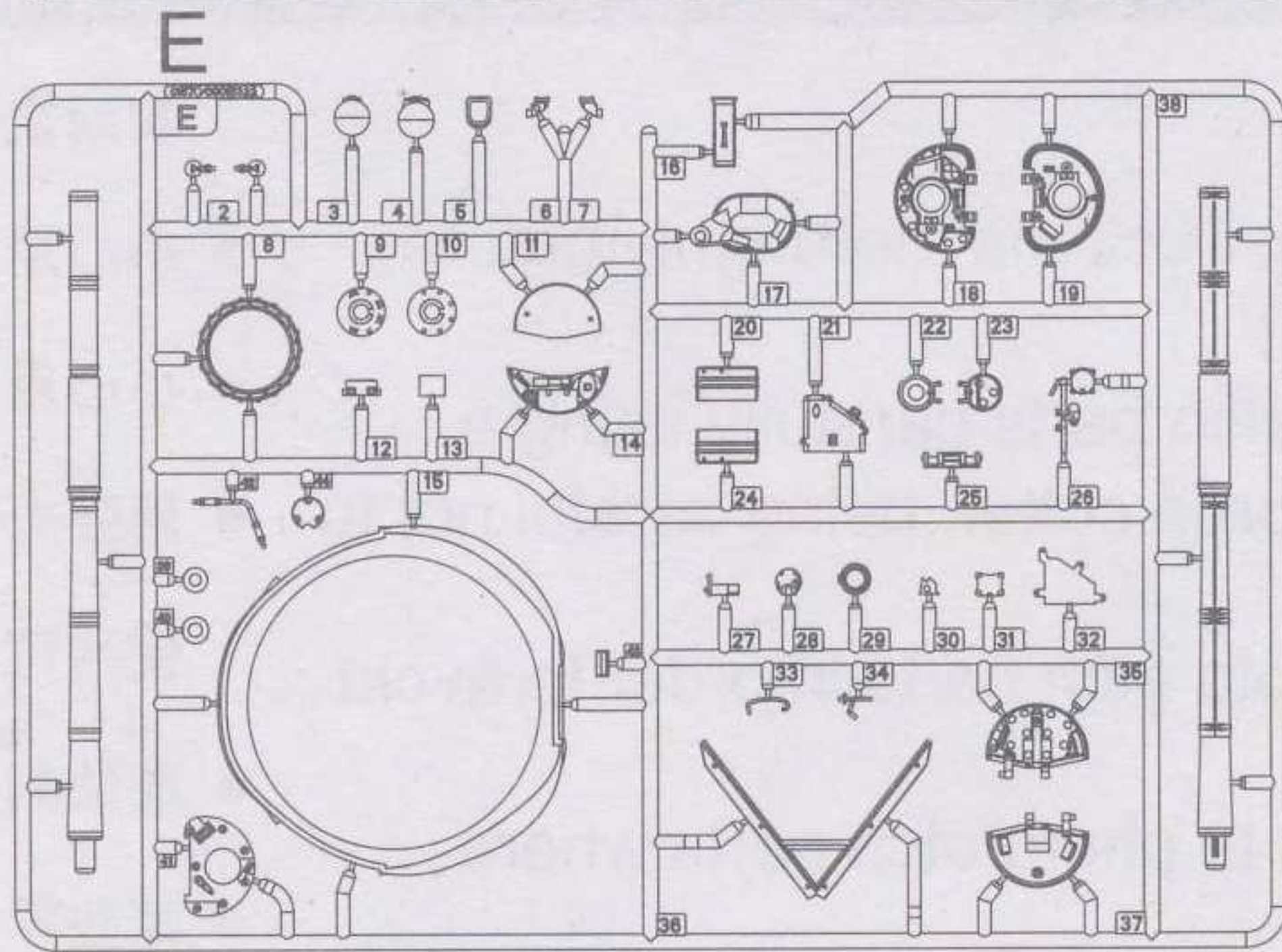
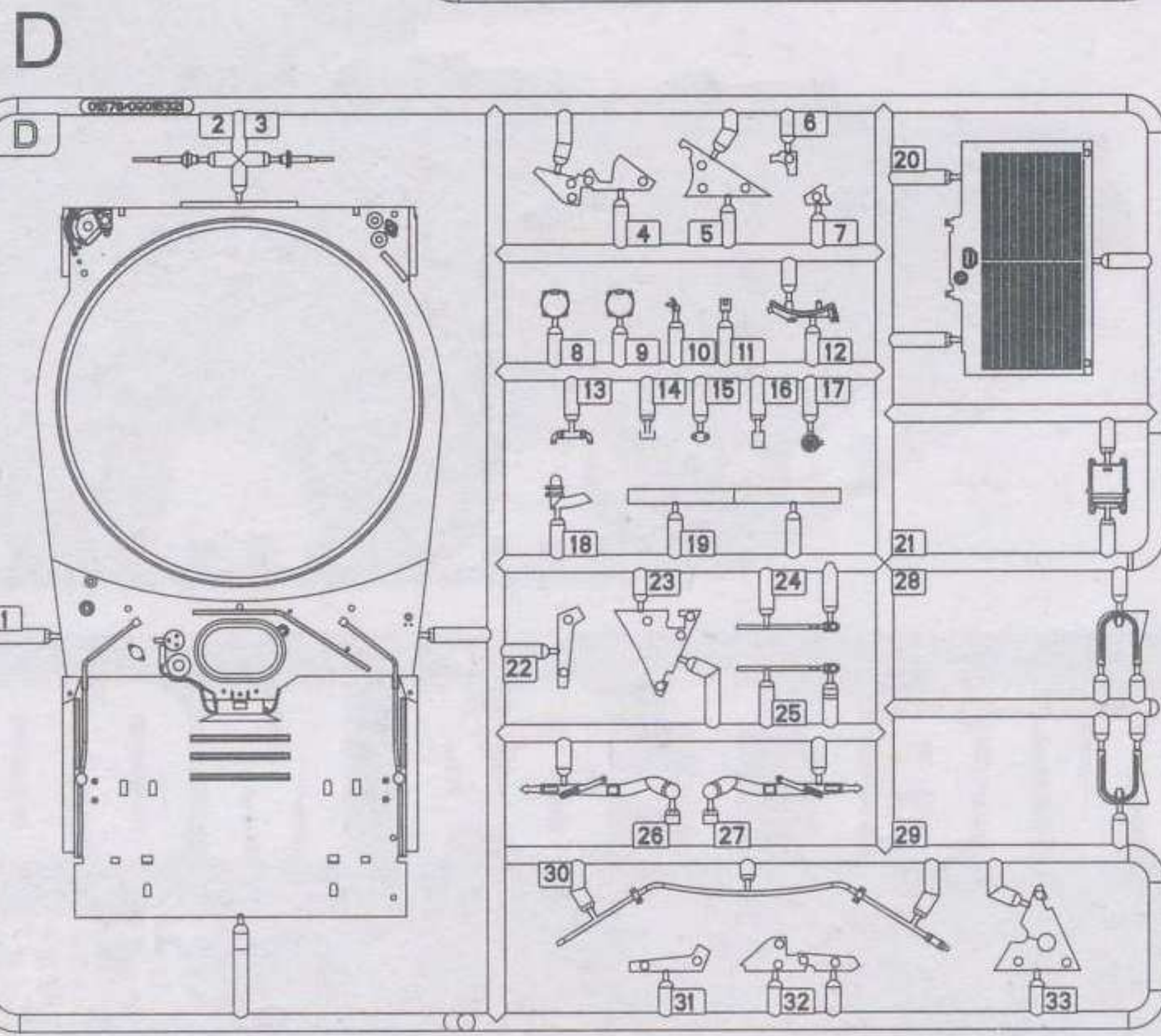
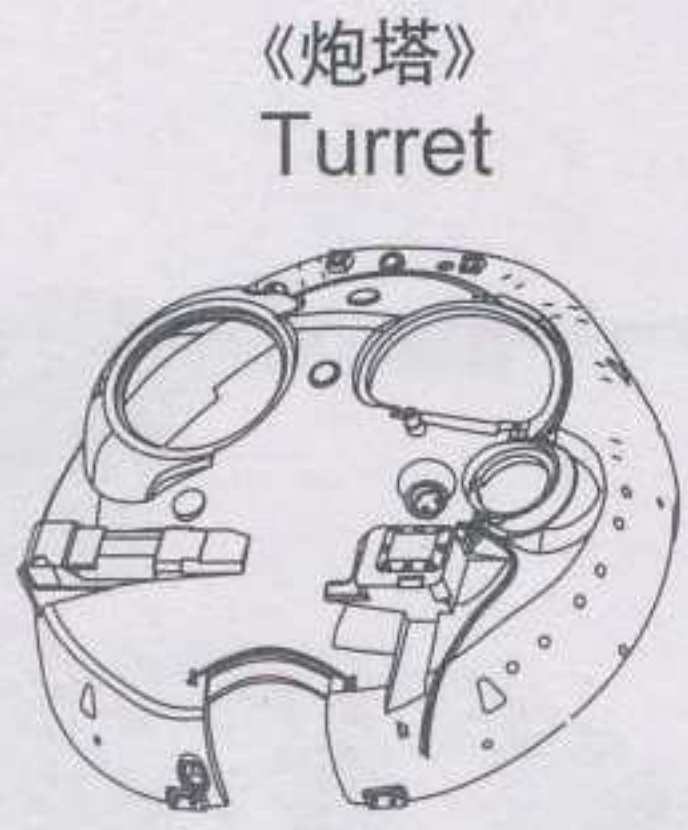
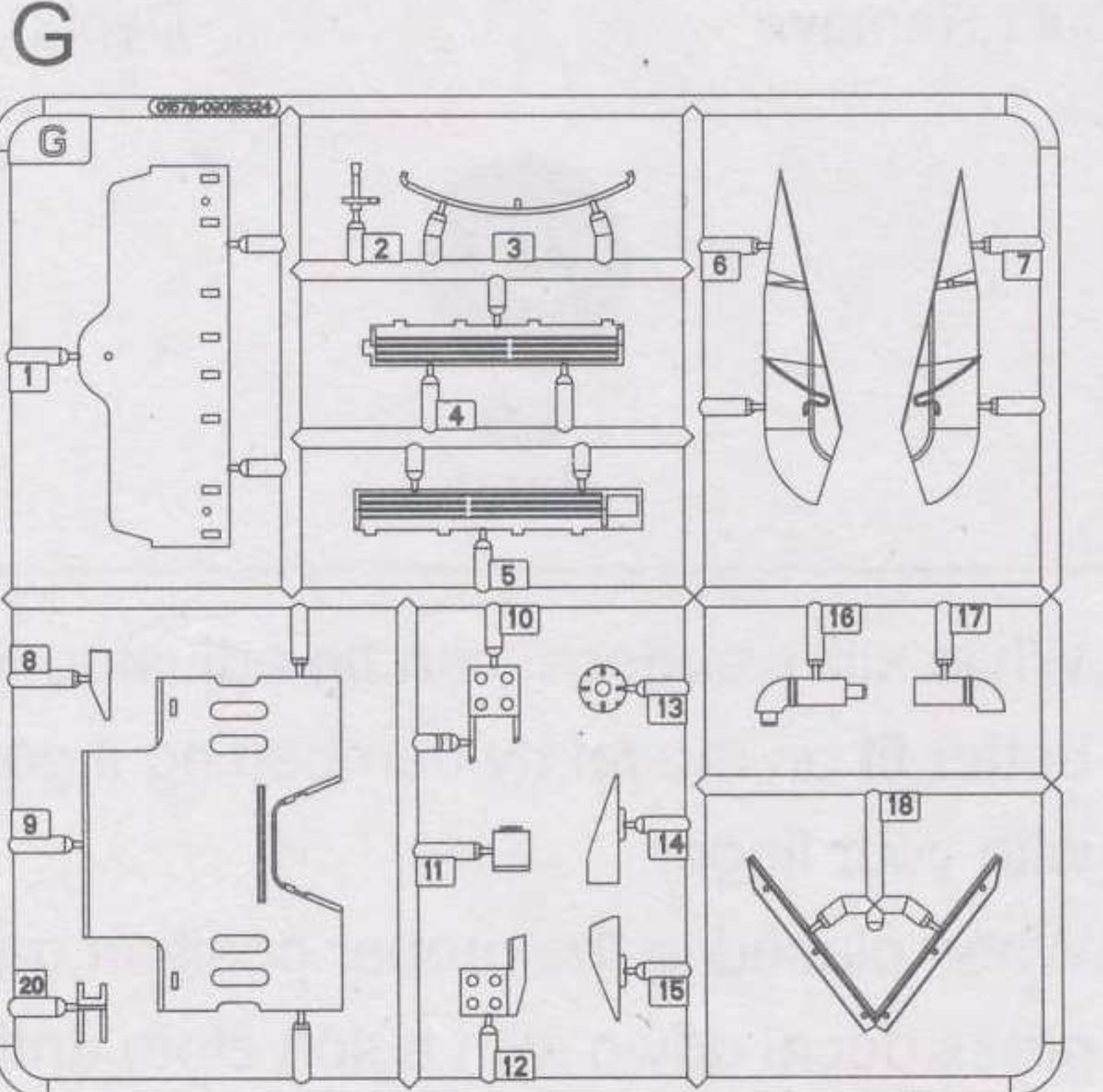
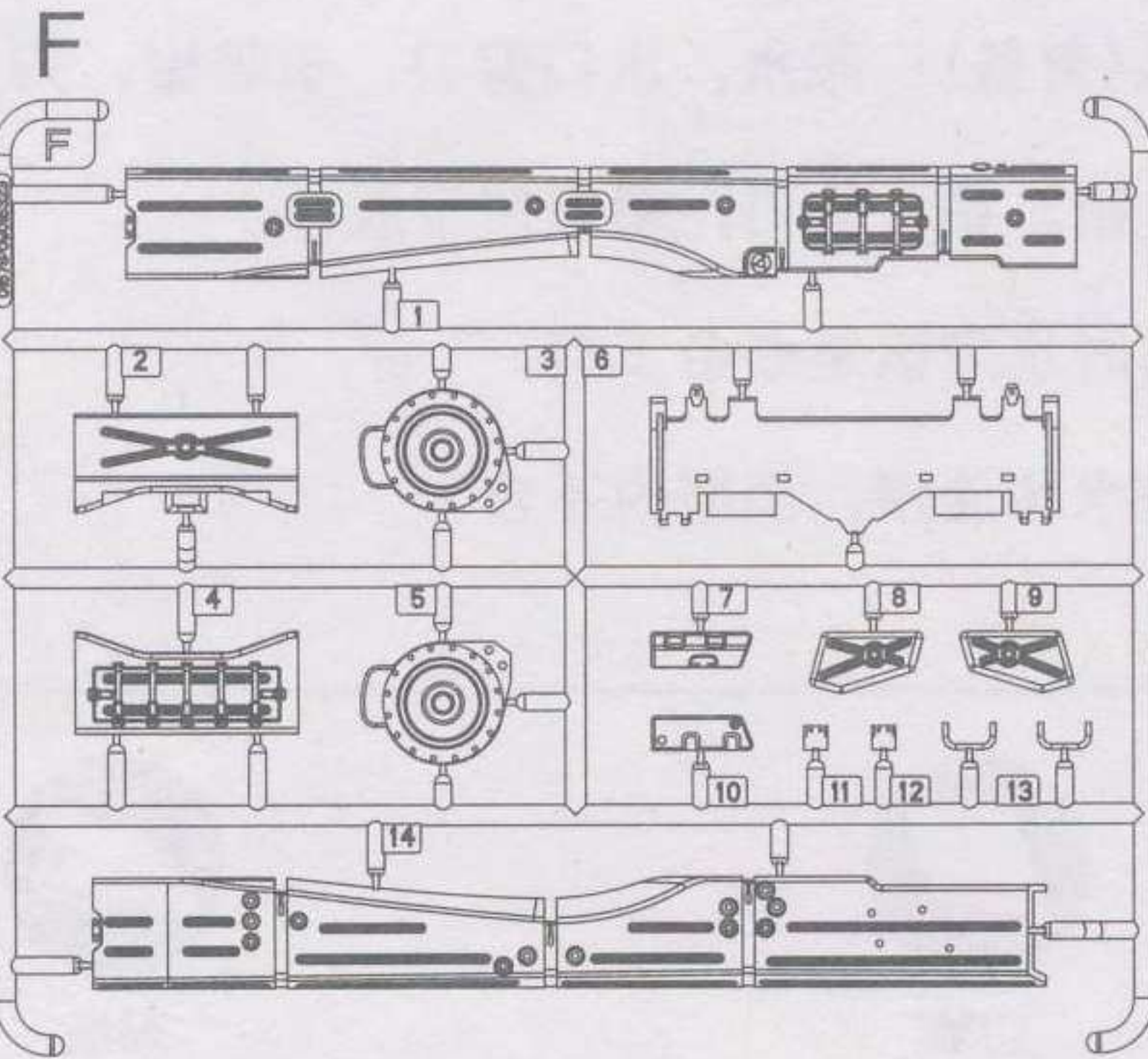
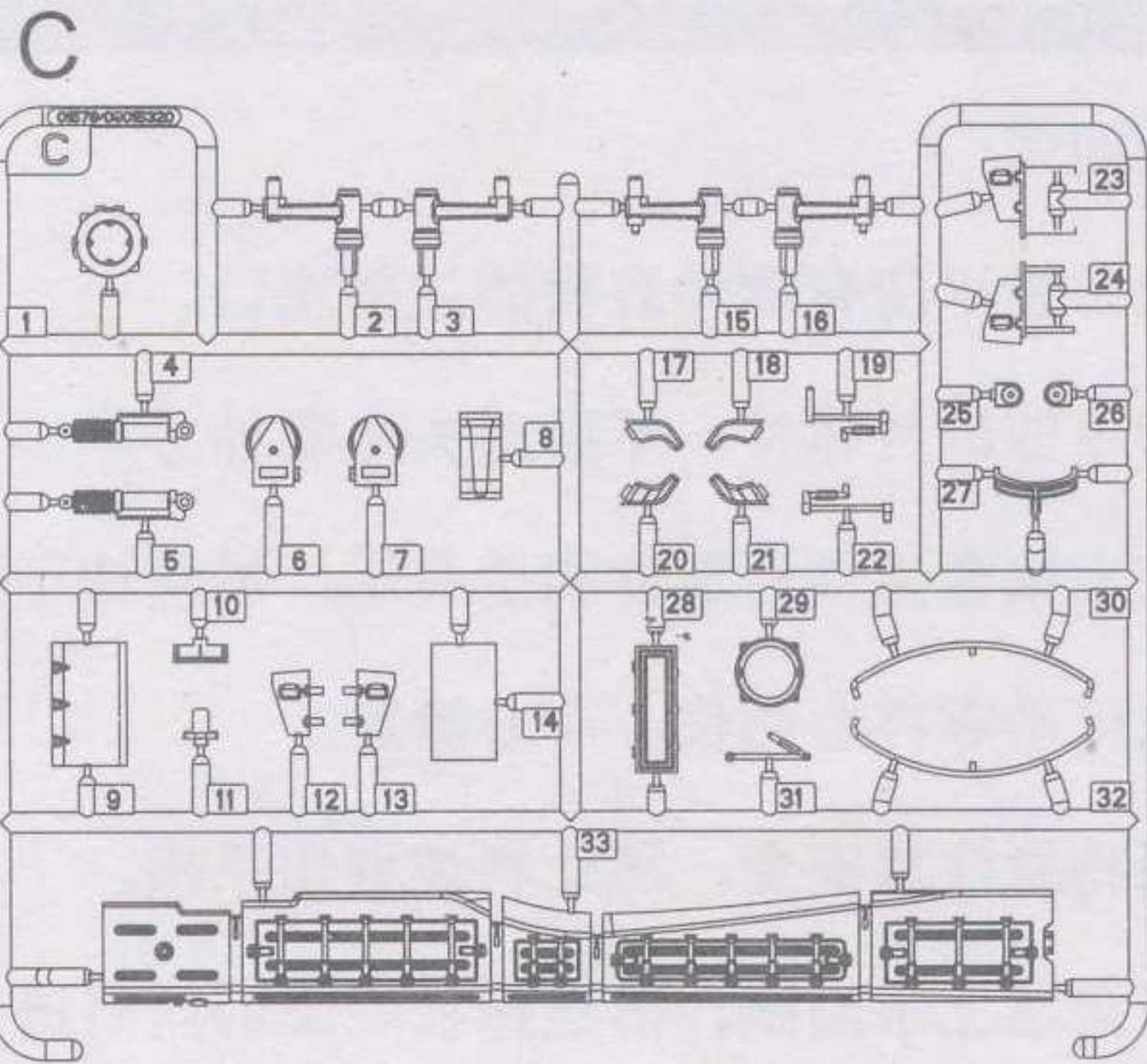
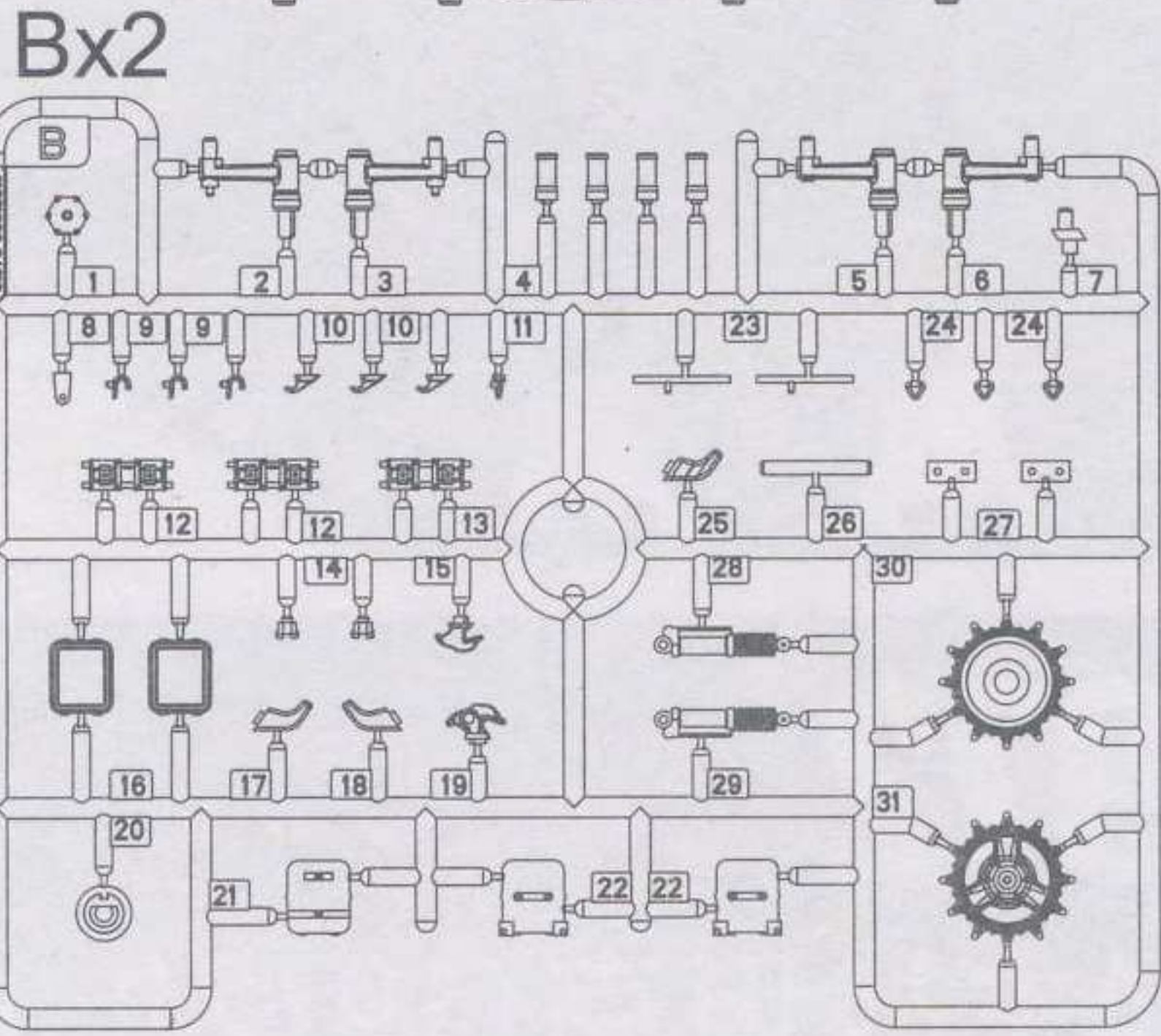
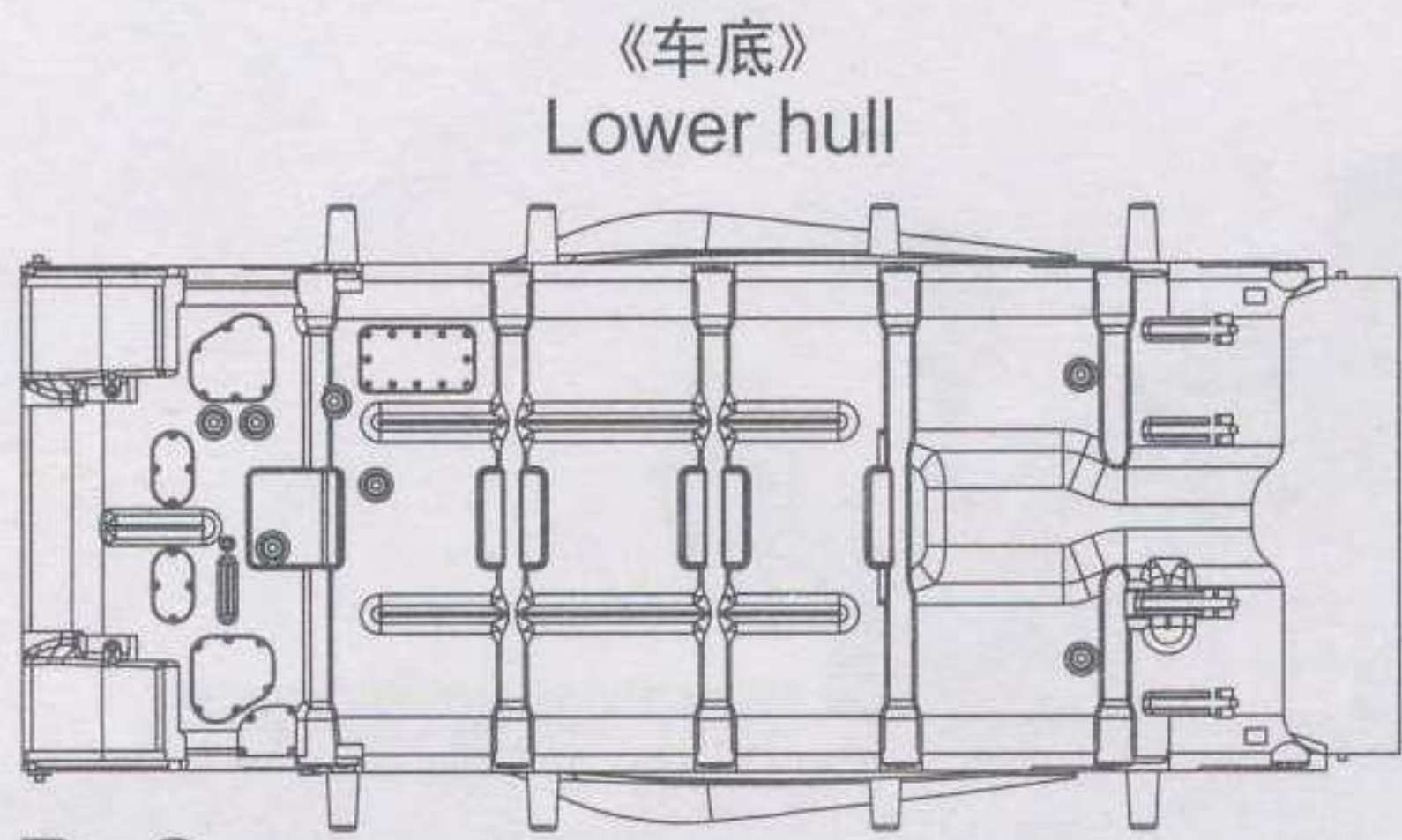
- 1.从水贴纸上剪下印花;
- 2.将印花放入温水中浸10秒,然后放在干净布上。
- 3.拿着印花纸板将印花移到模型上;
- 4.手指蘸水将印花移到适当的位置;
- 5.用软布轻压印花直至水干,汽泡消失

DECAL APPLICATION

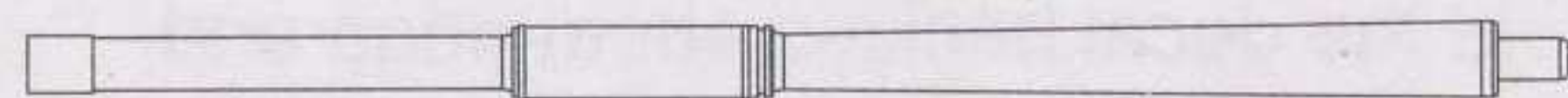
- 1.Cut decals from sheet as needed
- 2.Dip the decal in warm water for about 10 seconds and then place on soft clean cloth.
- 3.Hold the decal backing sheet edge and gently slide the decal onto the model in its proper position.

- 4.While still wet,decal can be adjusted for better fit on model by dampening it gently with your finger.
- 5.When placed in the proper position,gently press decal down with a soft cloth until excess water and air bubbles are gone.
- 6.Allow decal to dry completely before handling model

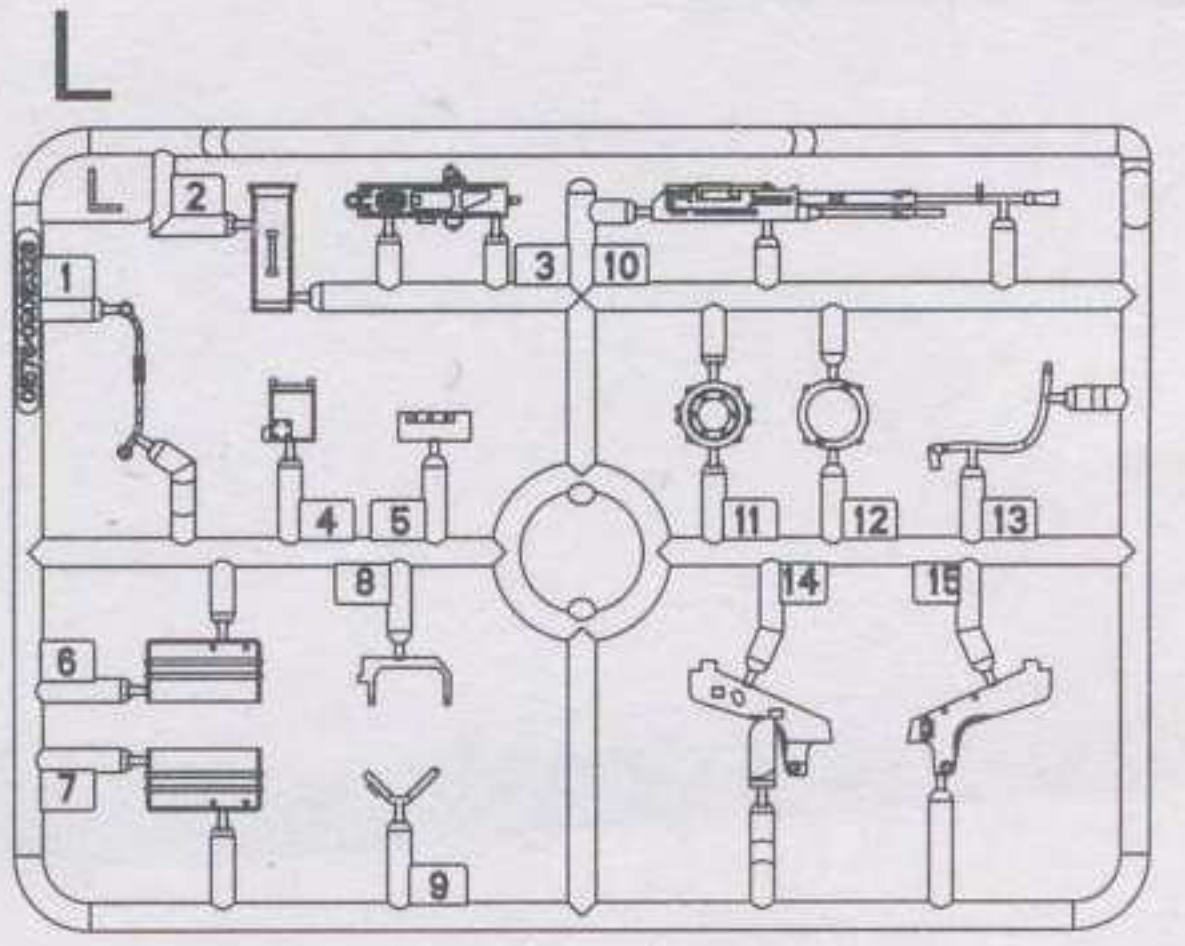
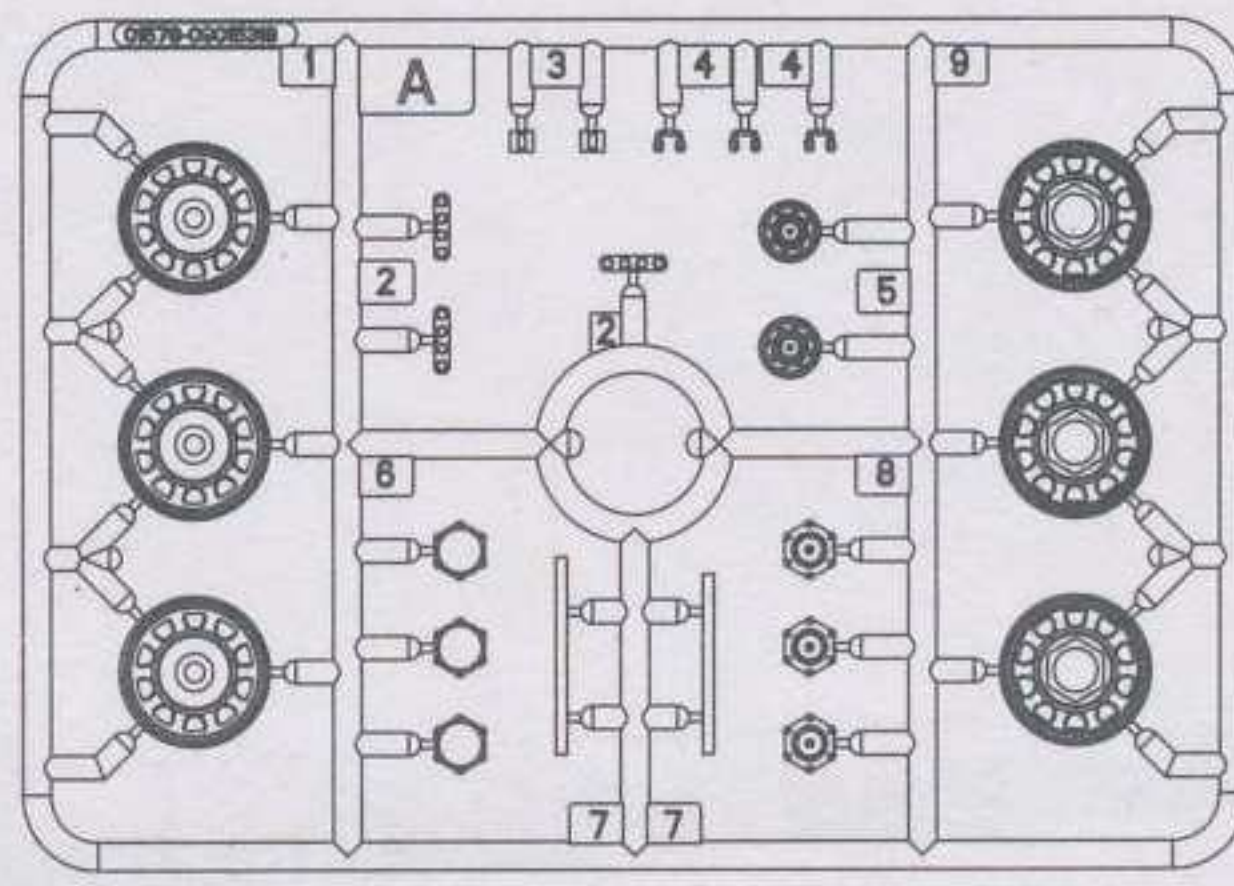
部品图 Parts



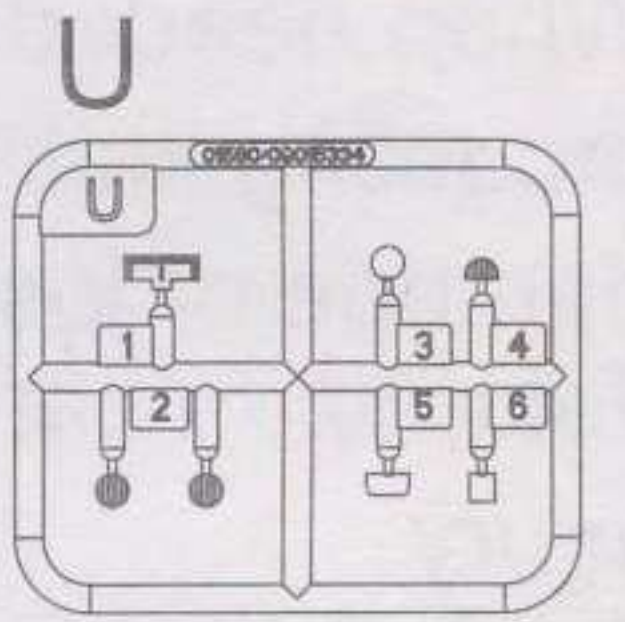
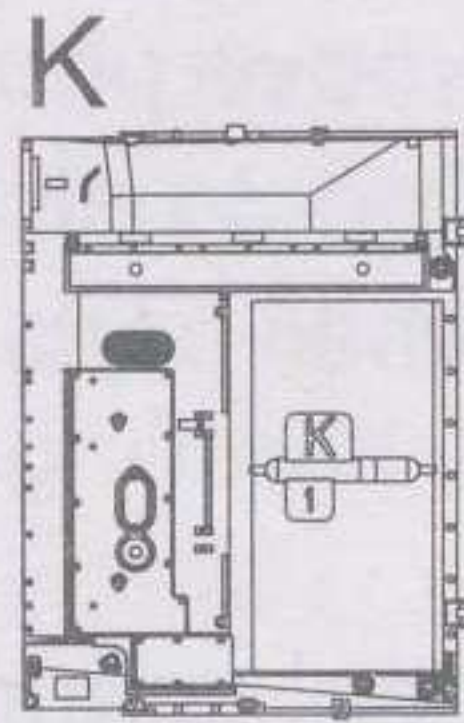
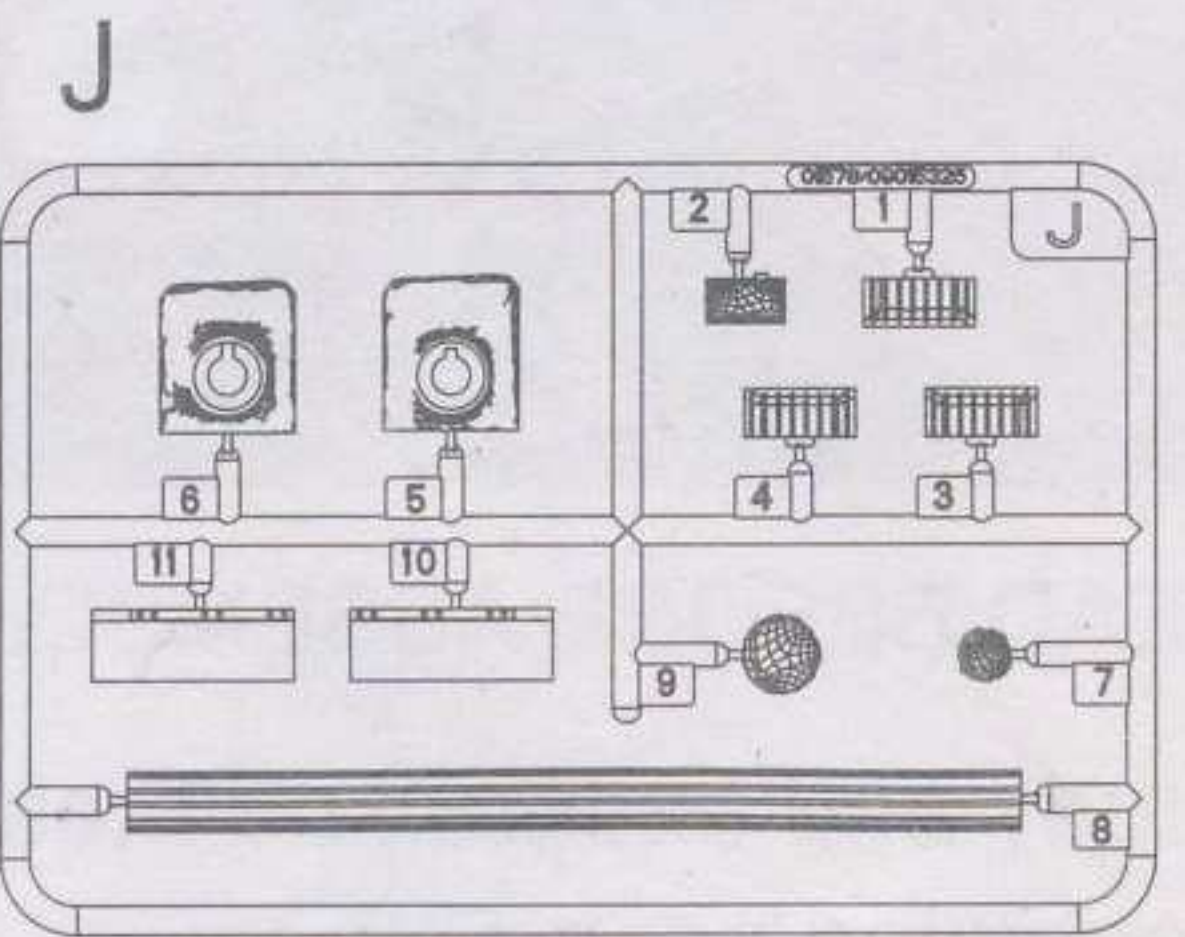
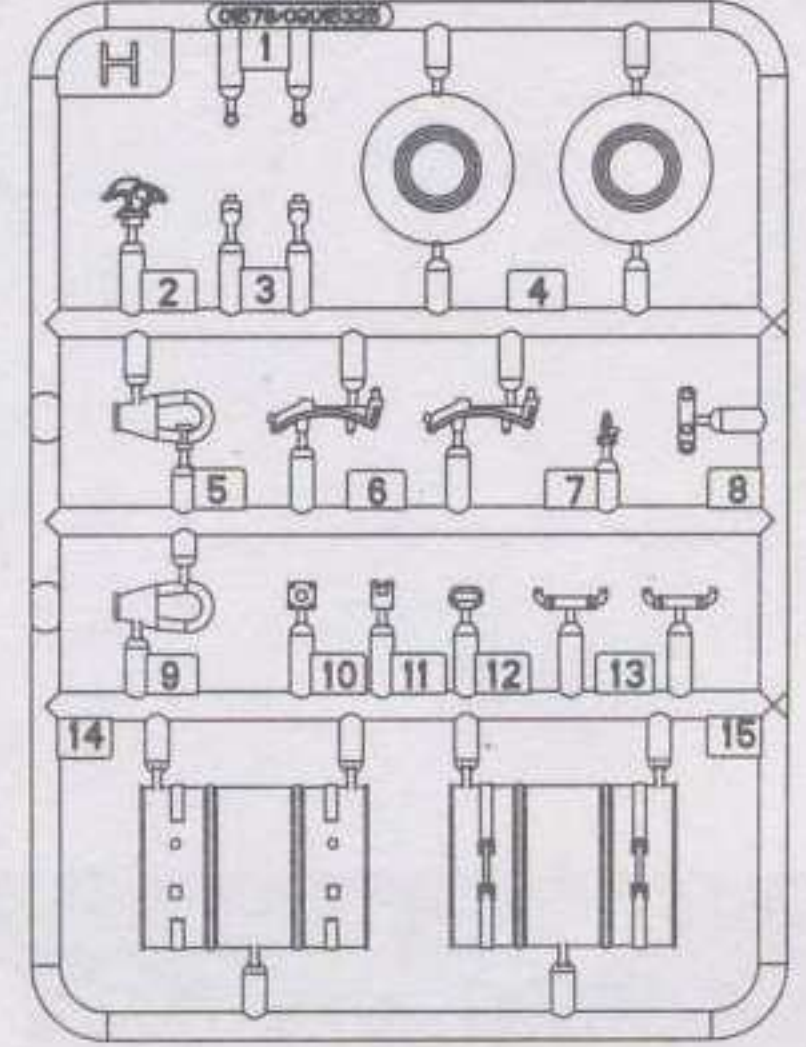
《金属炮管》
Metal gun



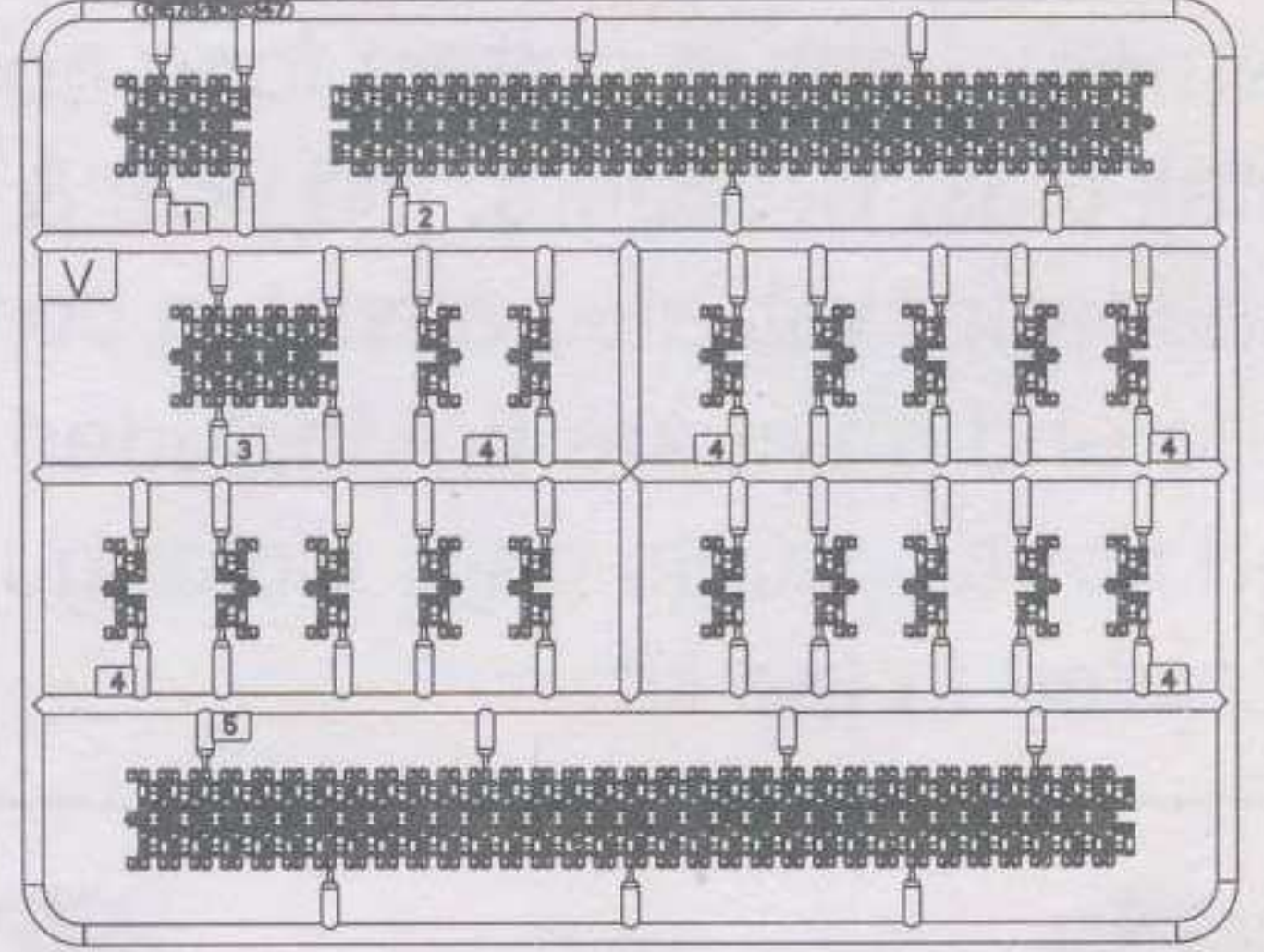
Ax5



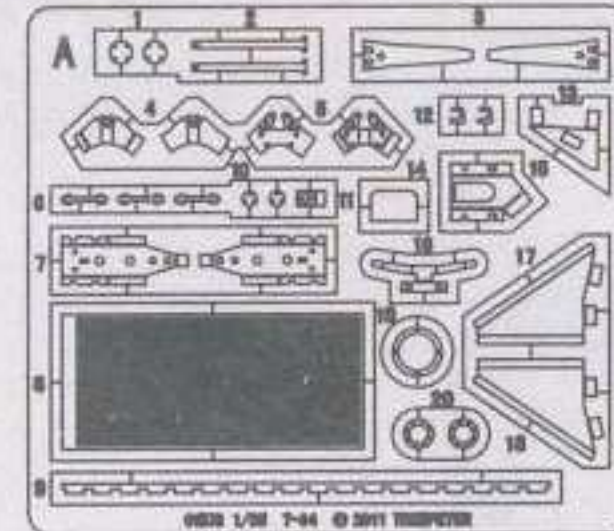
Hx2



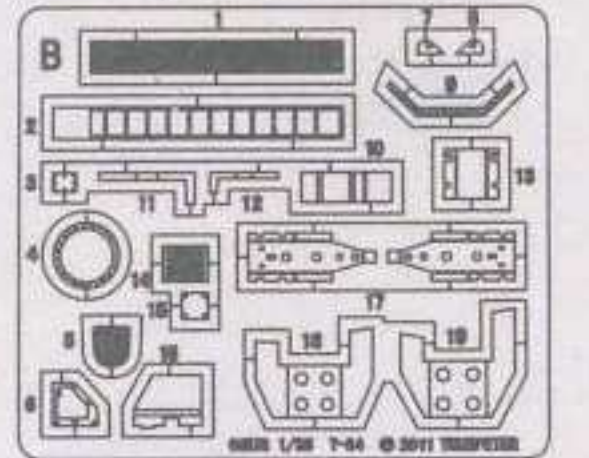
Vx2



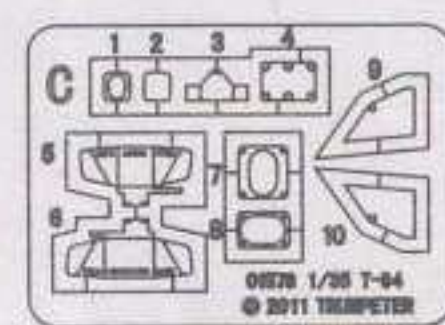
《蚀刻片A》
PE-A



《蚀刻片B》
PE-B



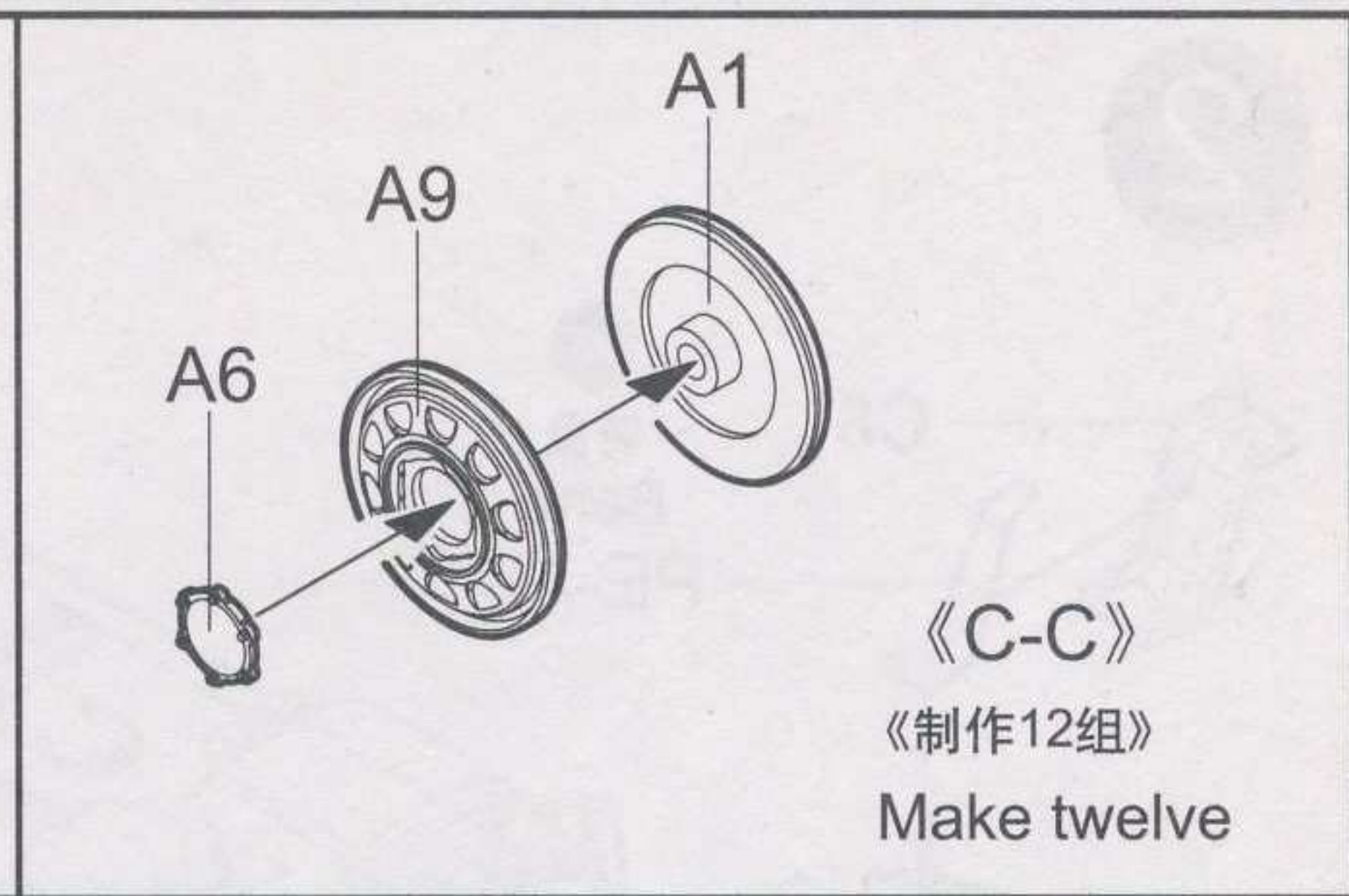
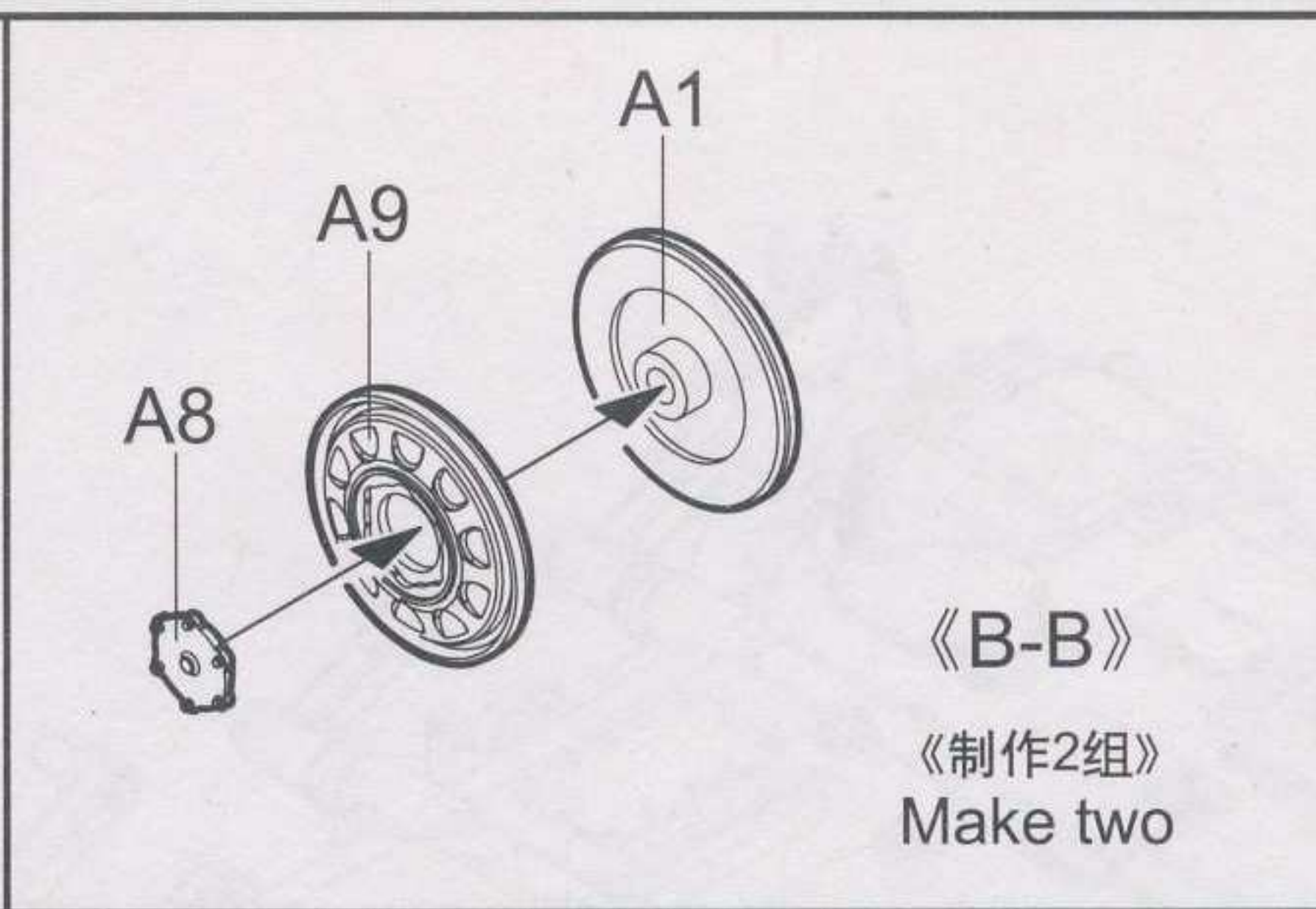
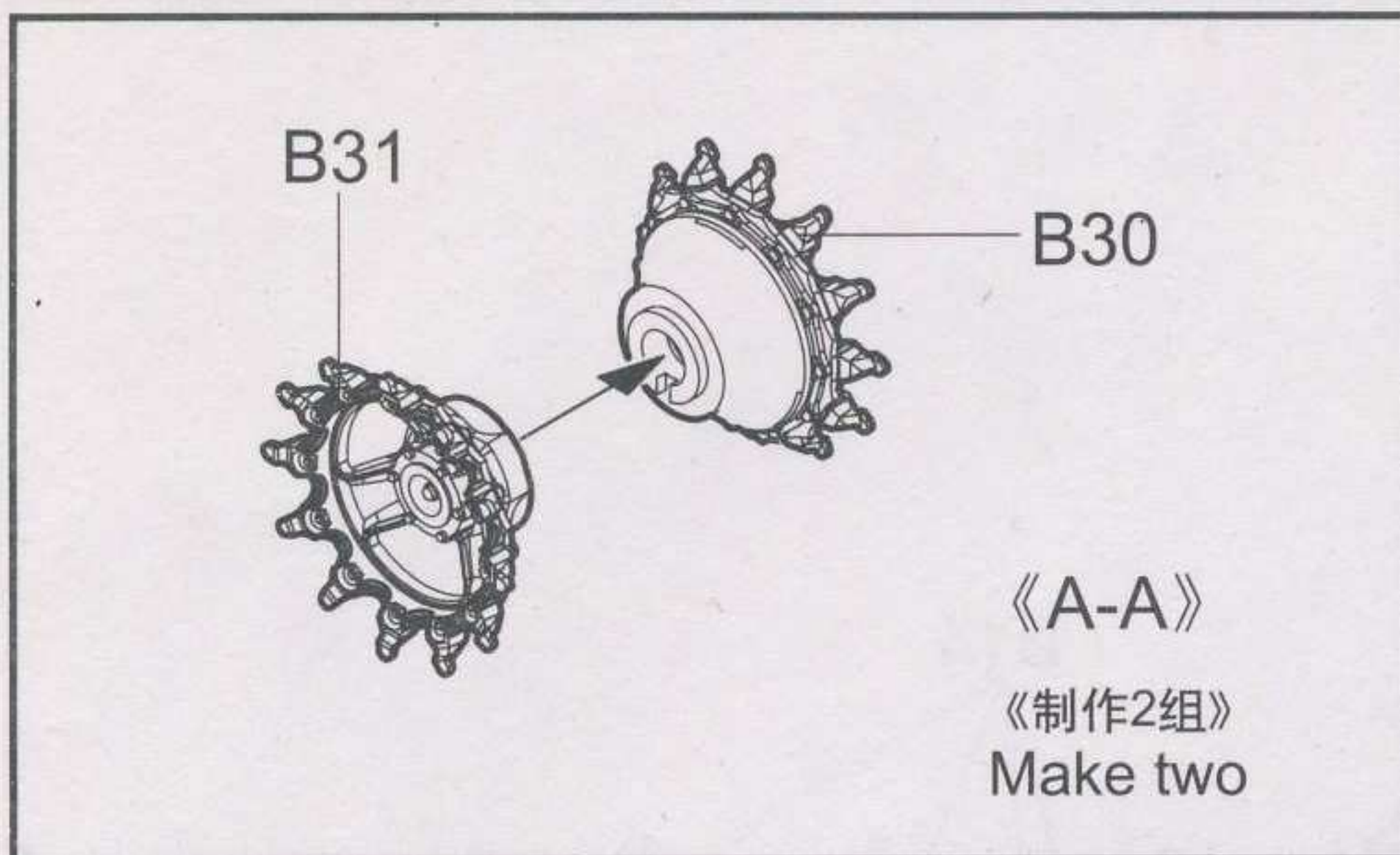
《蚀刻片C》
PE-C



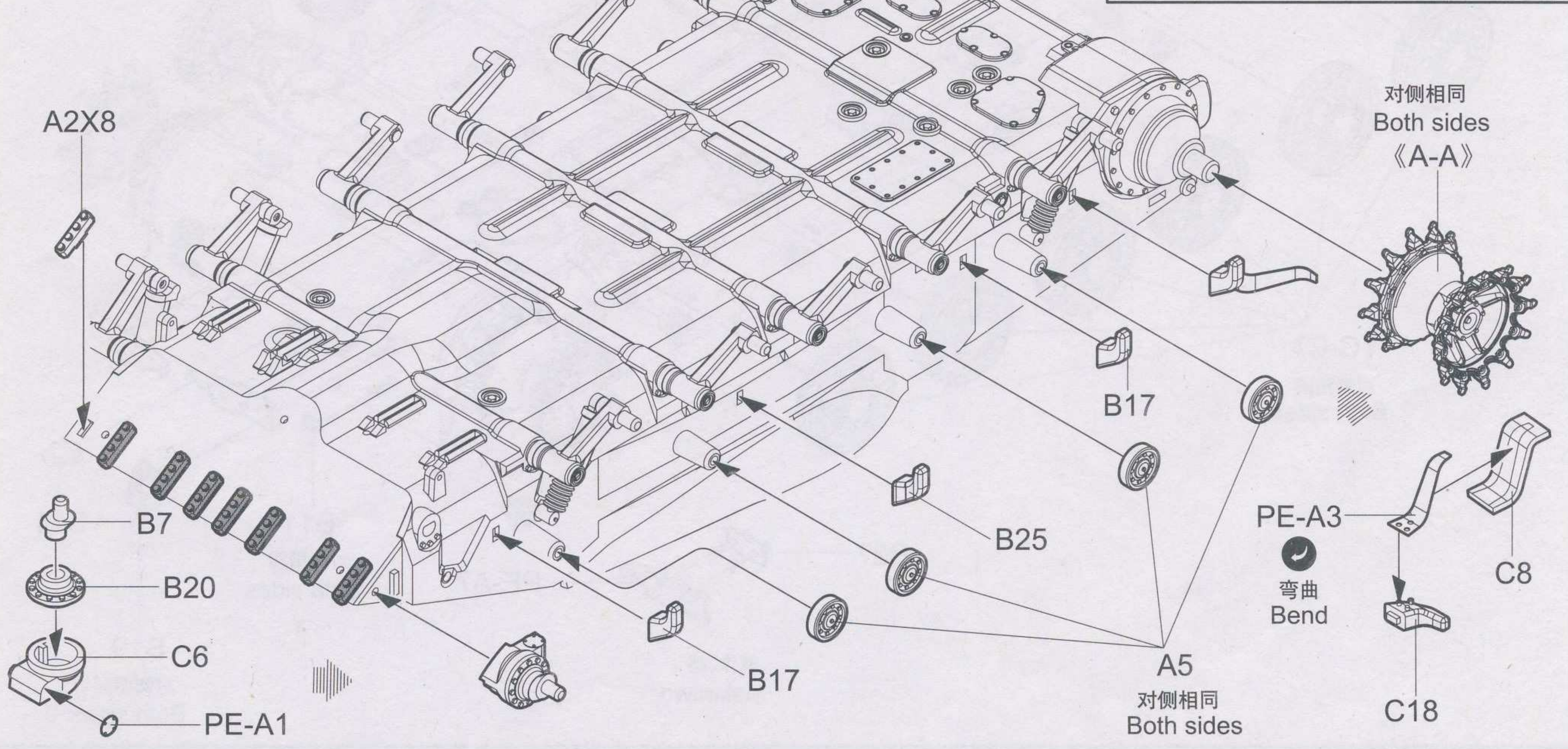
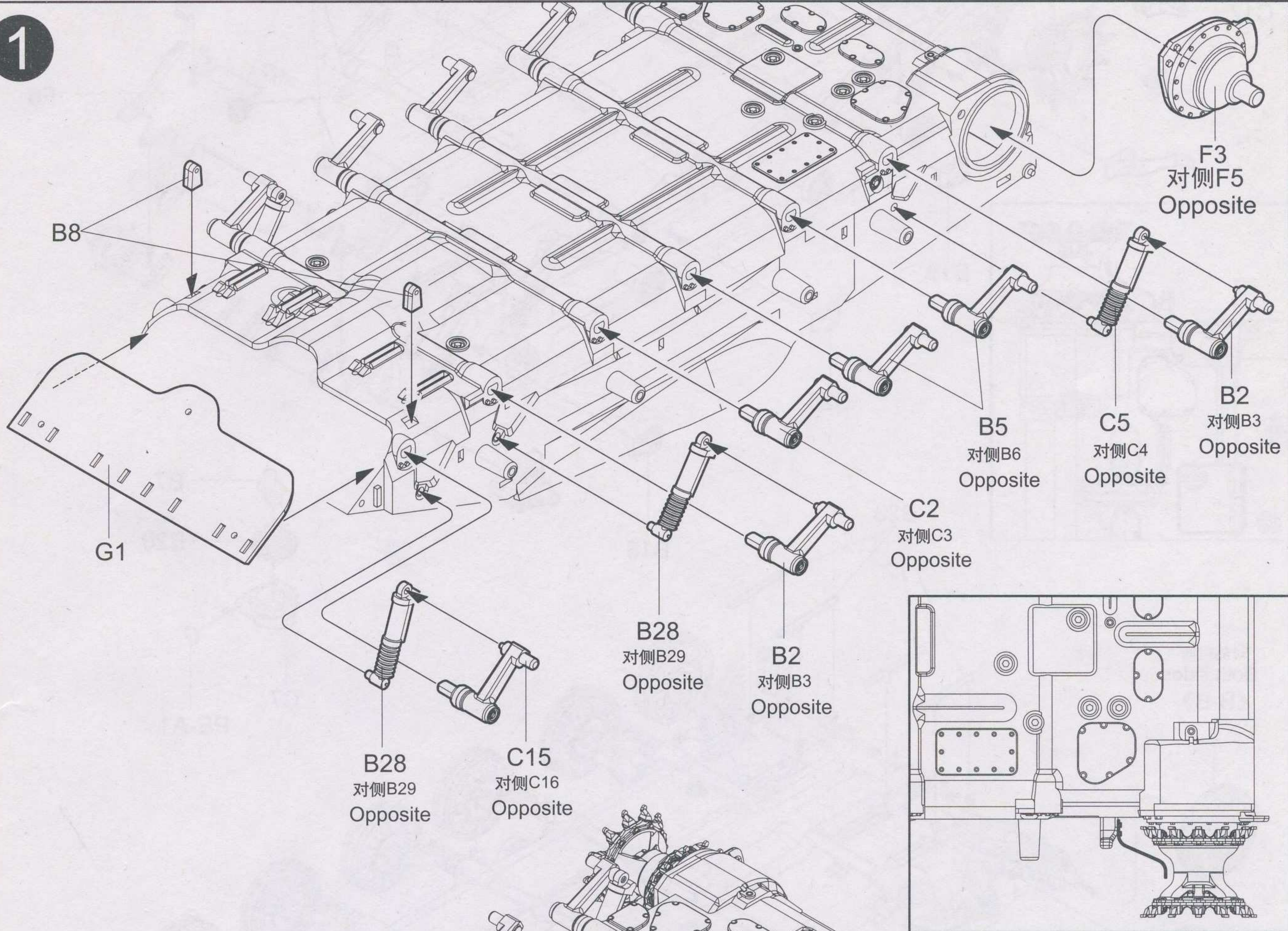
《水贴》
Decal



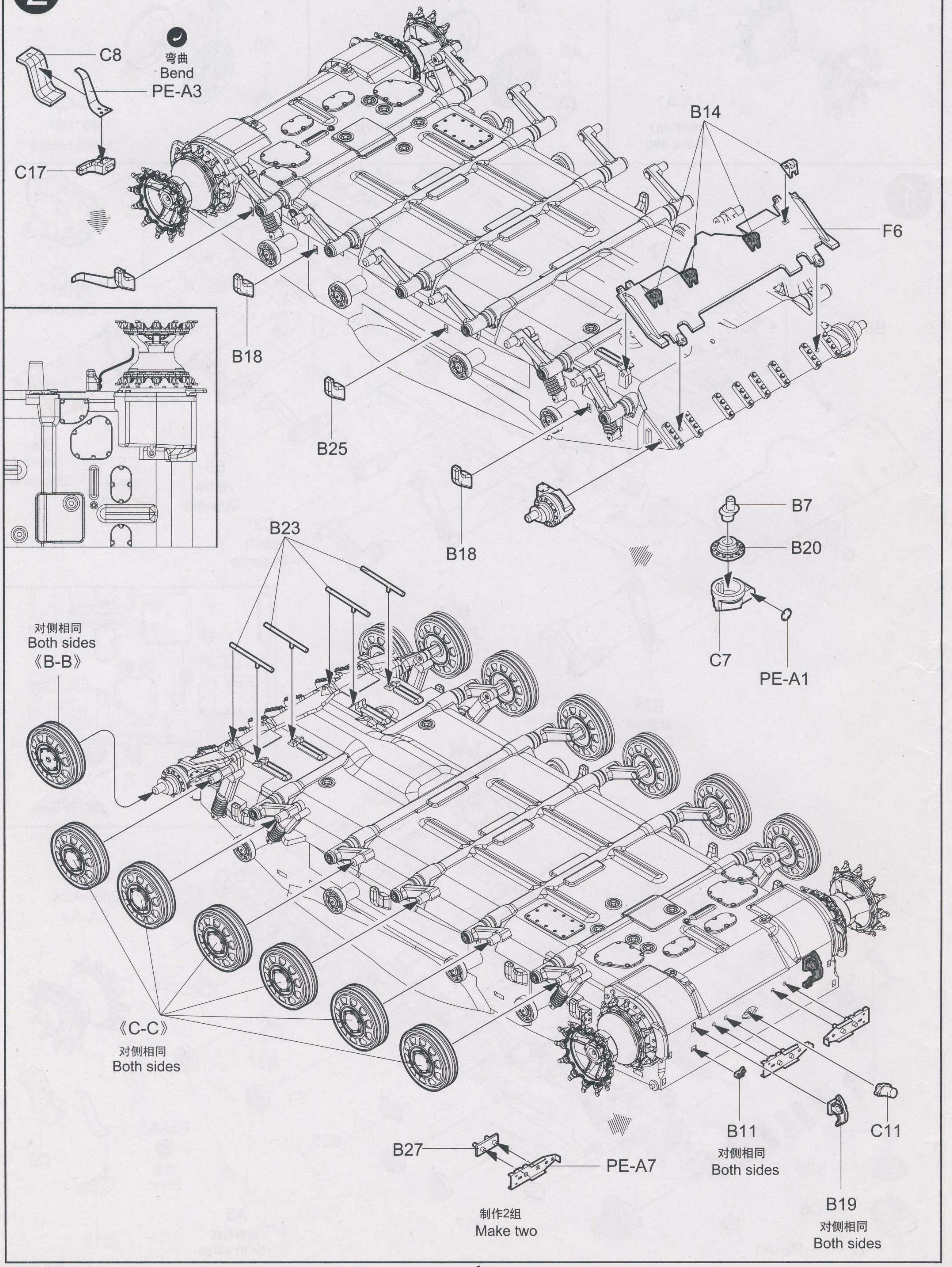
不用零件: B21.C19.C23.C24.C31.D3.D4.D5.D6.D7.D12.D21.D22.D23.D30.D31.D32.D33.E2.E4.E5.E9.E18.E21.E23.E32.E34.E35.E39
Unused parts F1.F2.F4.F8.F9.F11.F12.F13.G4.G8.G10.G11.G12.G14.G18.H4.H6.H14.H15



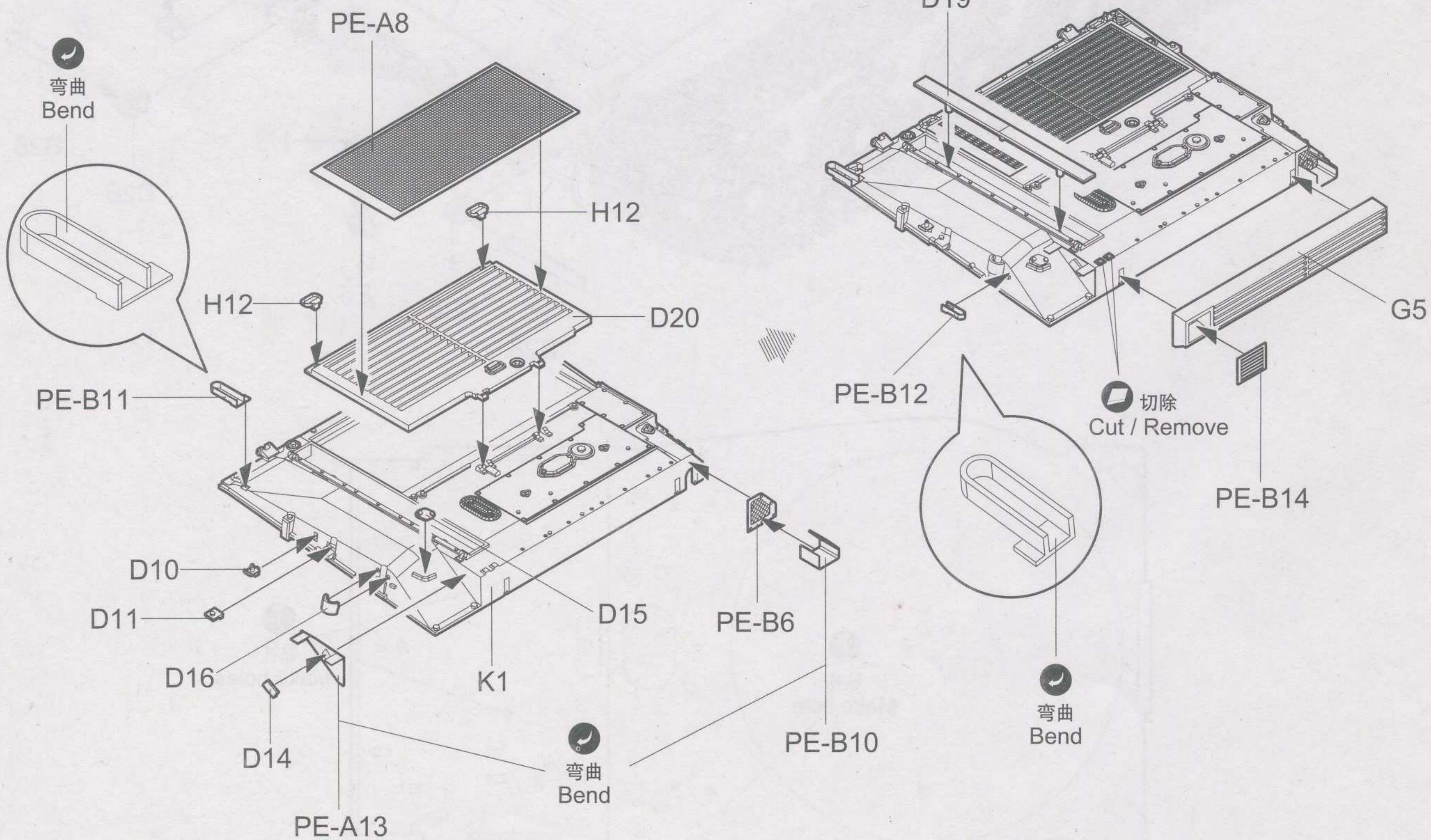
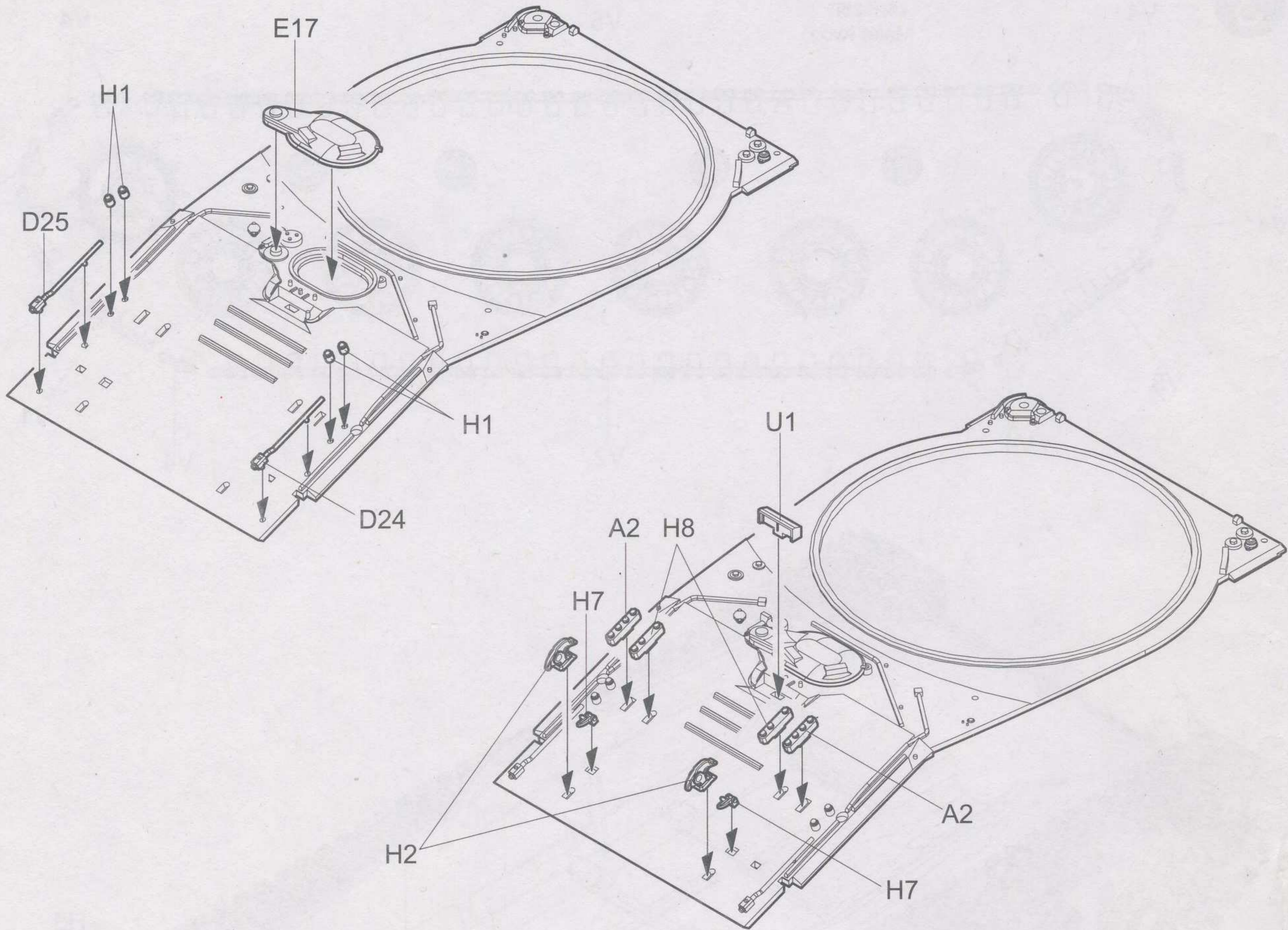
1



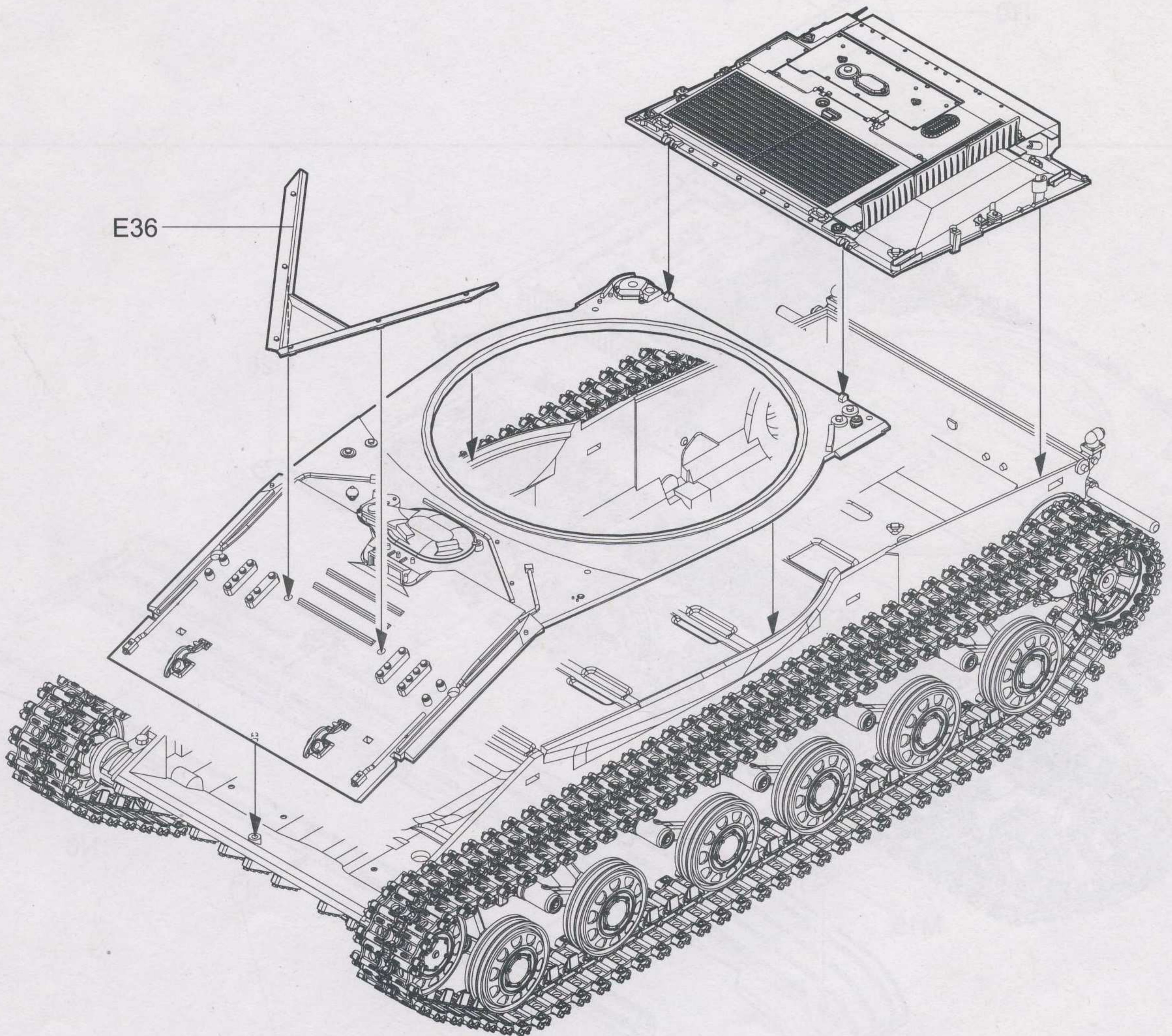
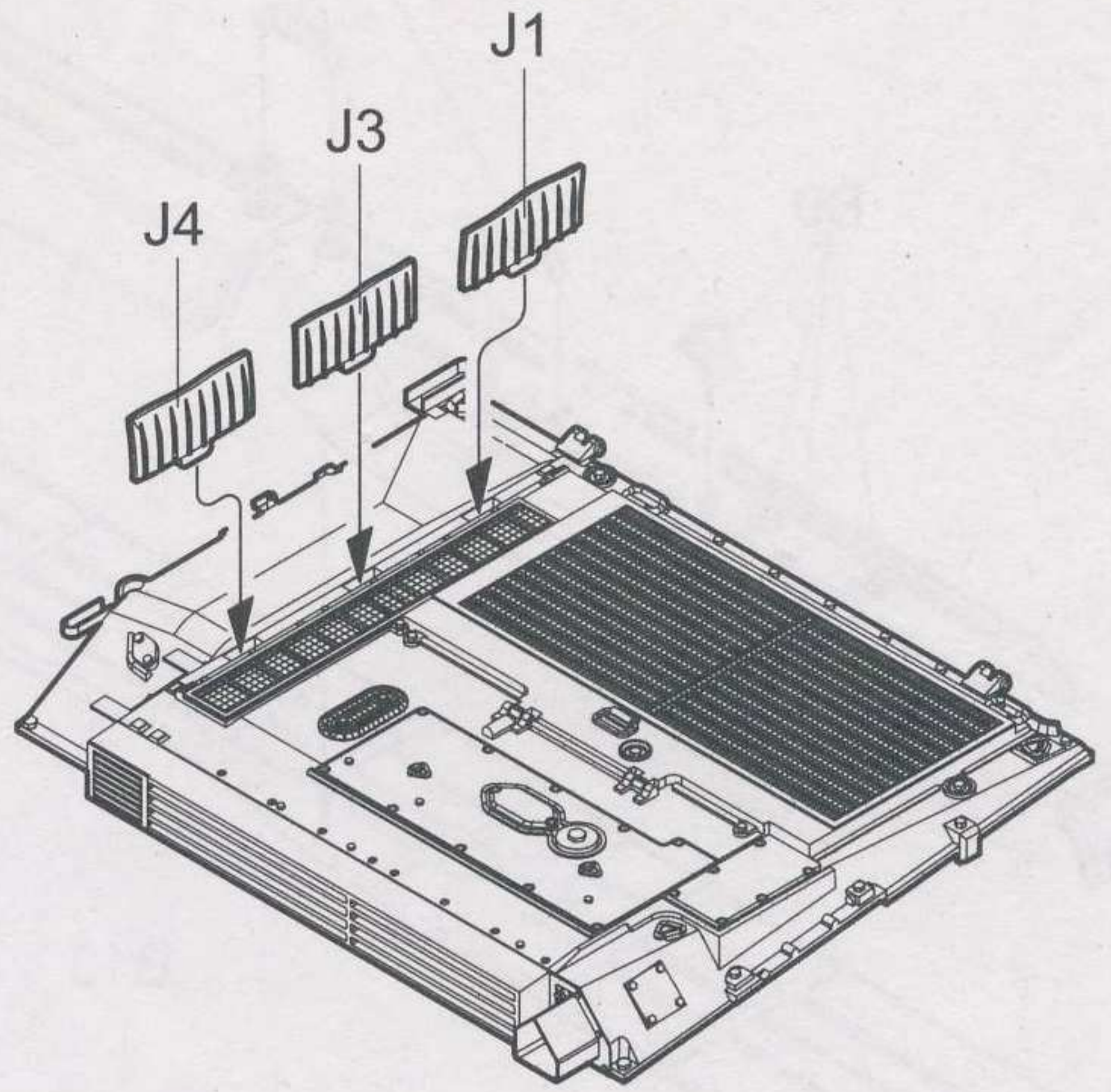
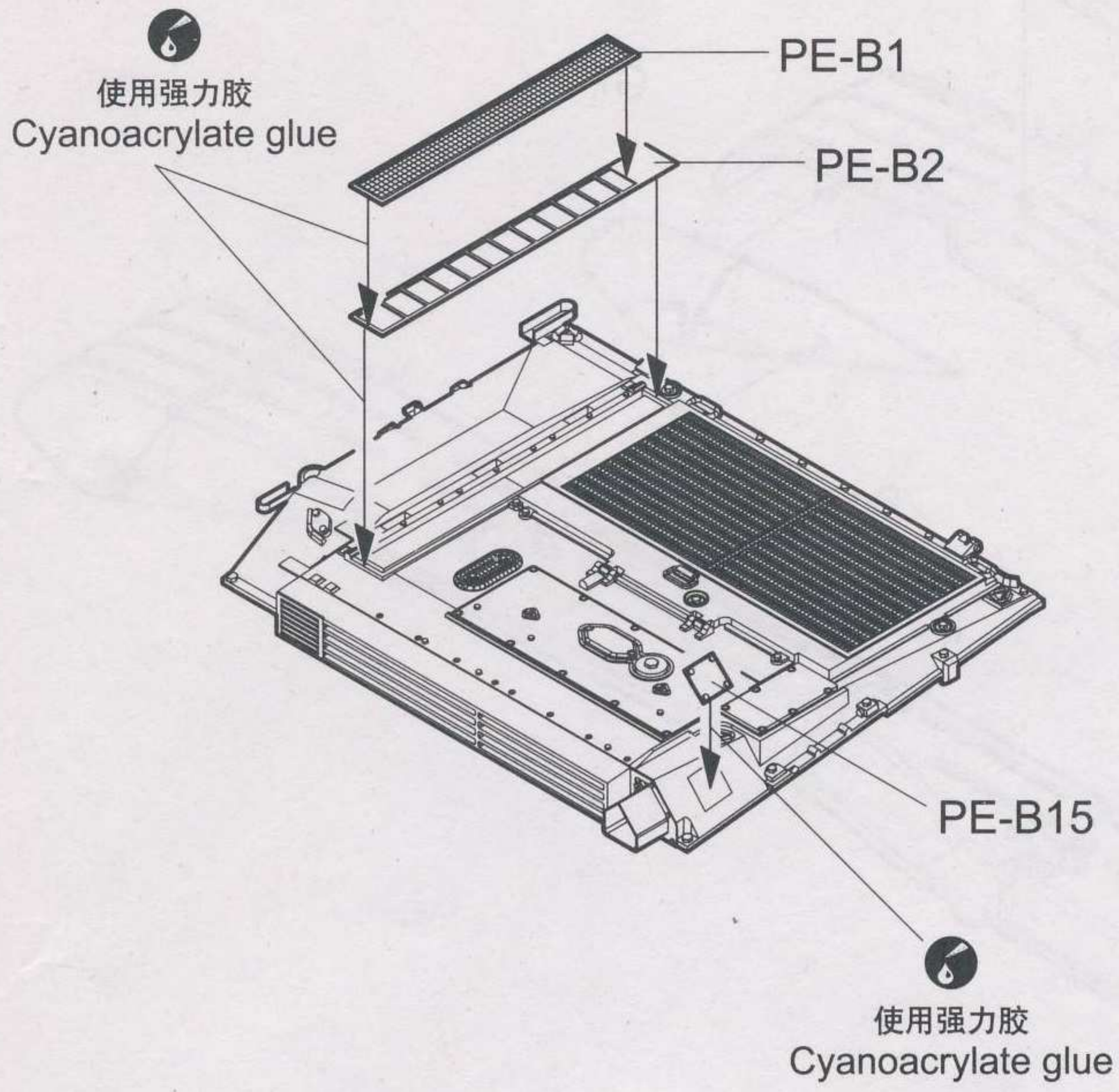
2



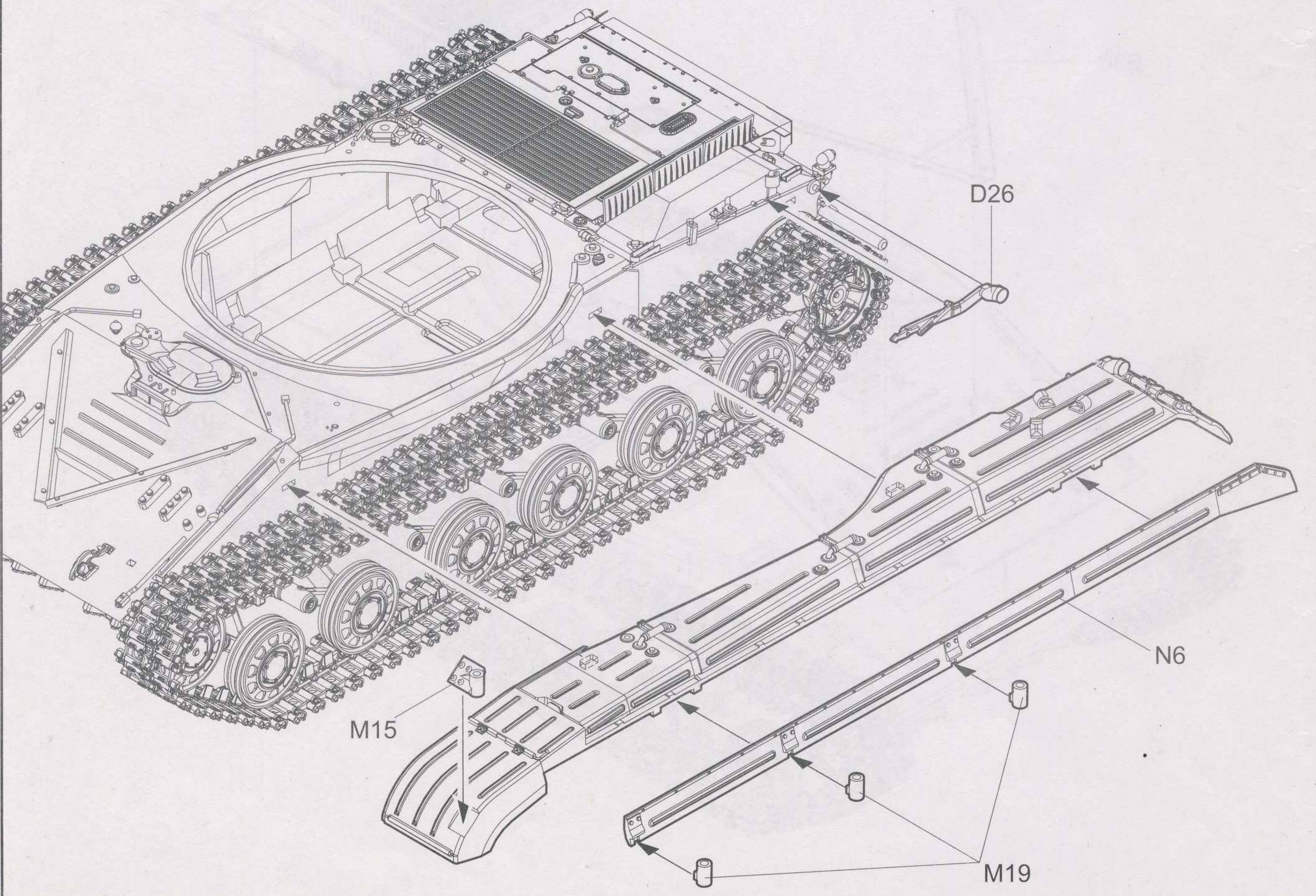
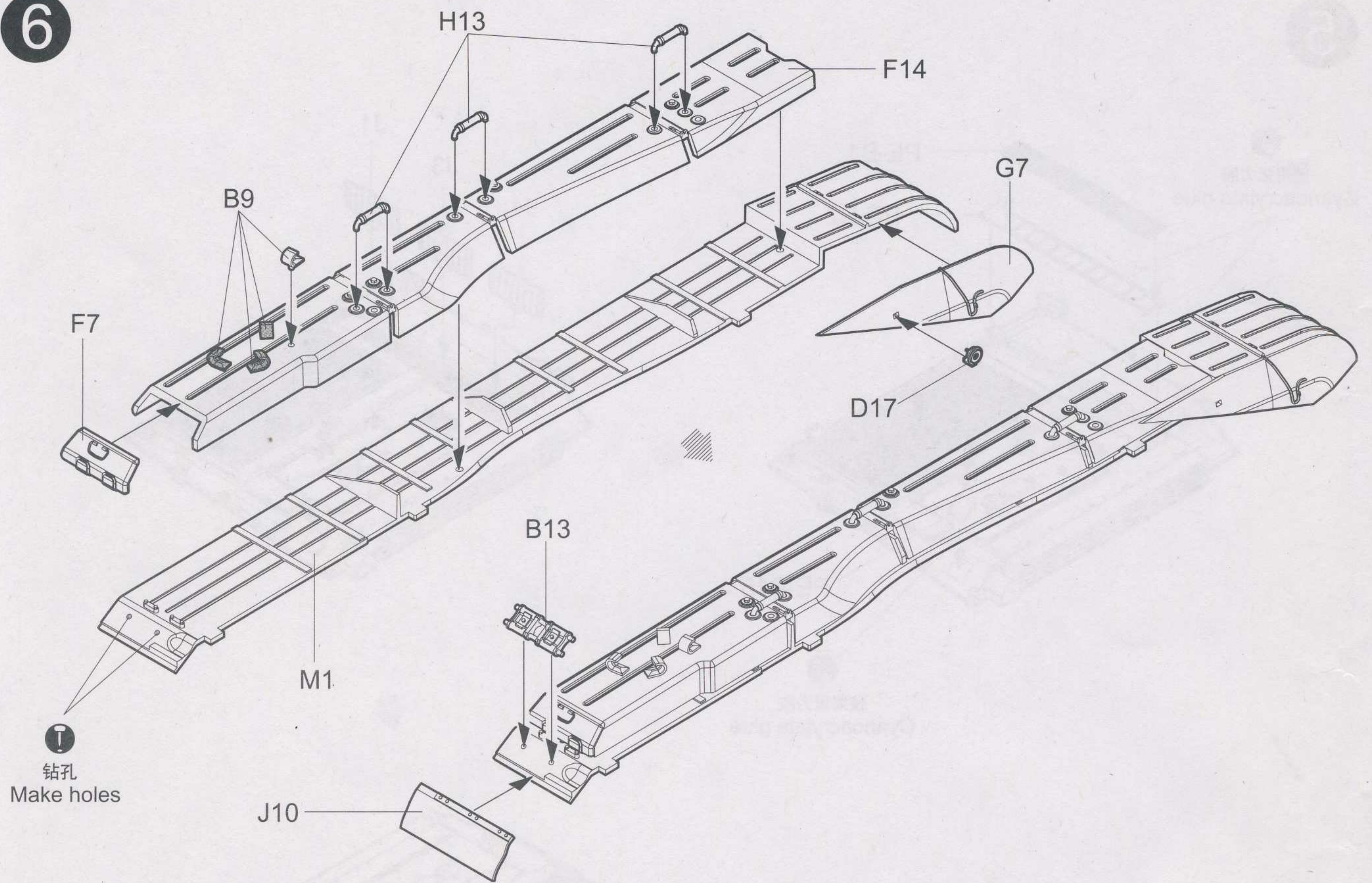
4



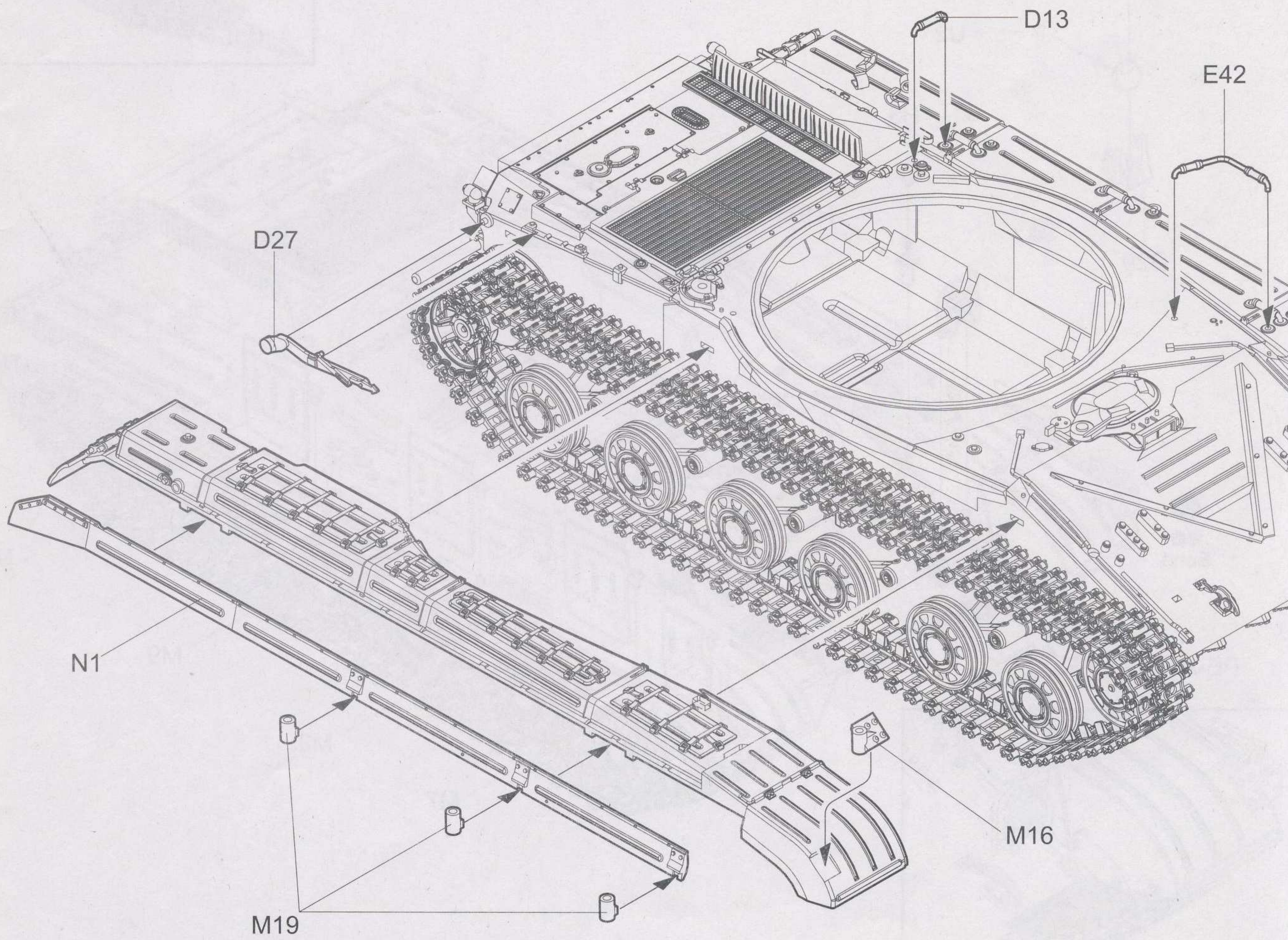
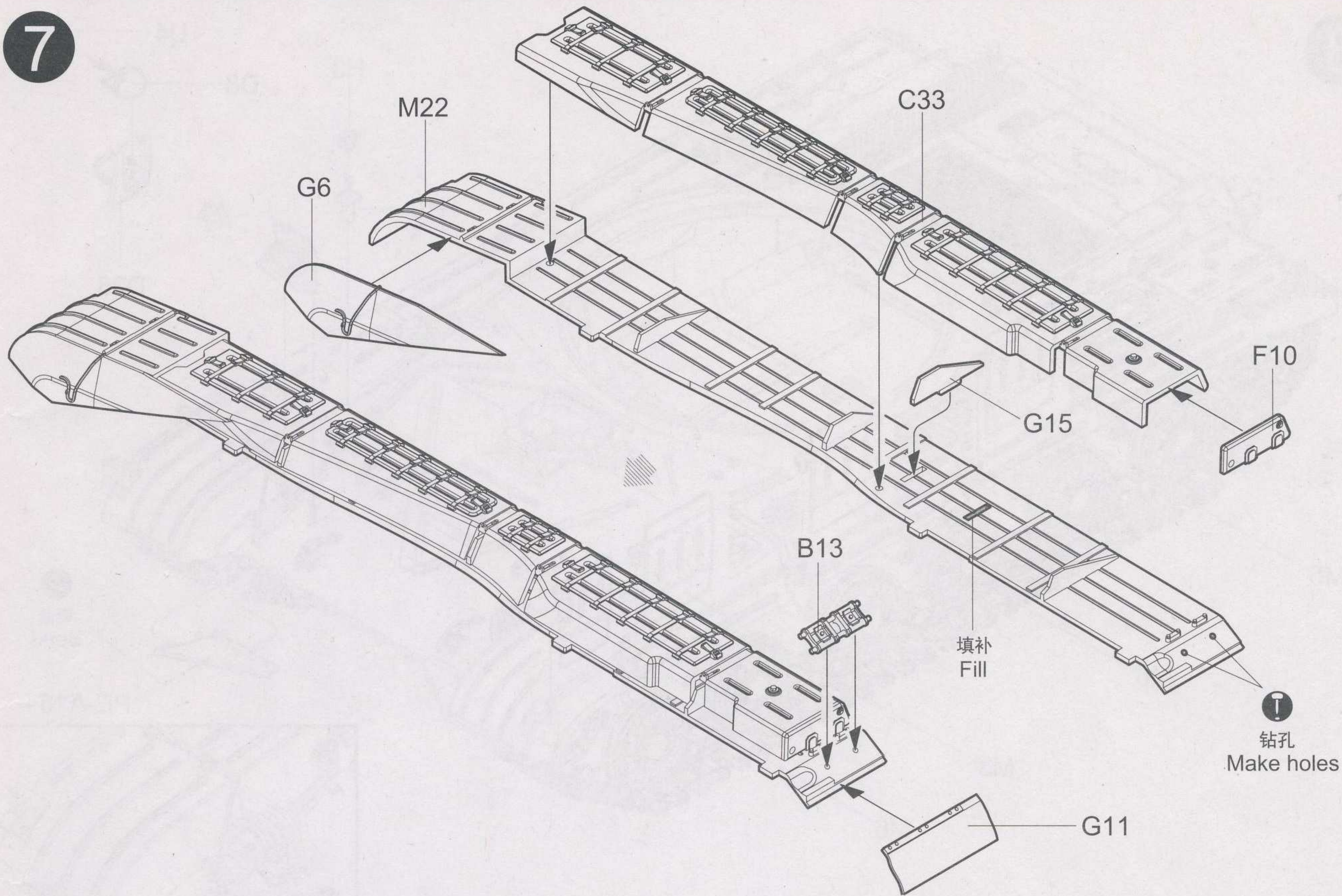
5



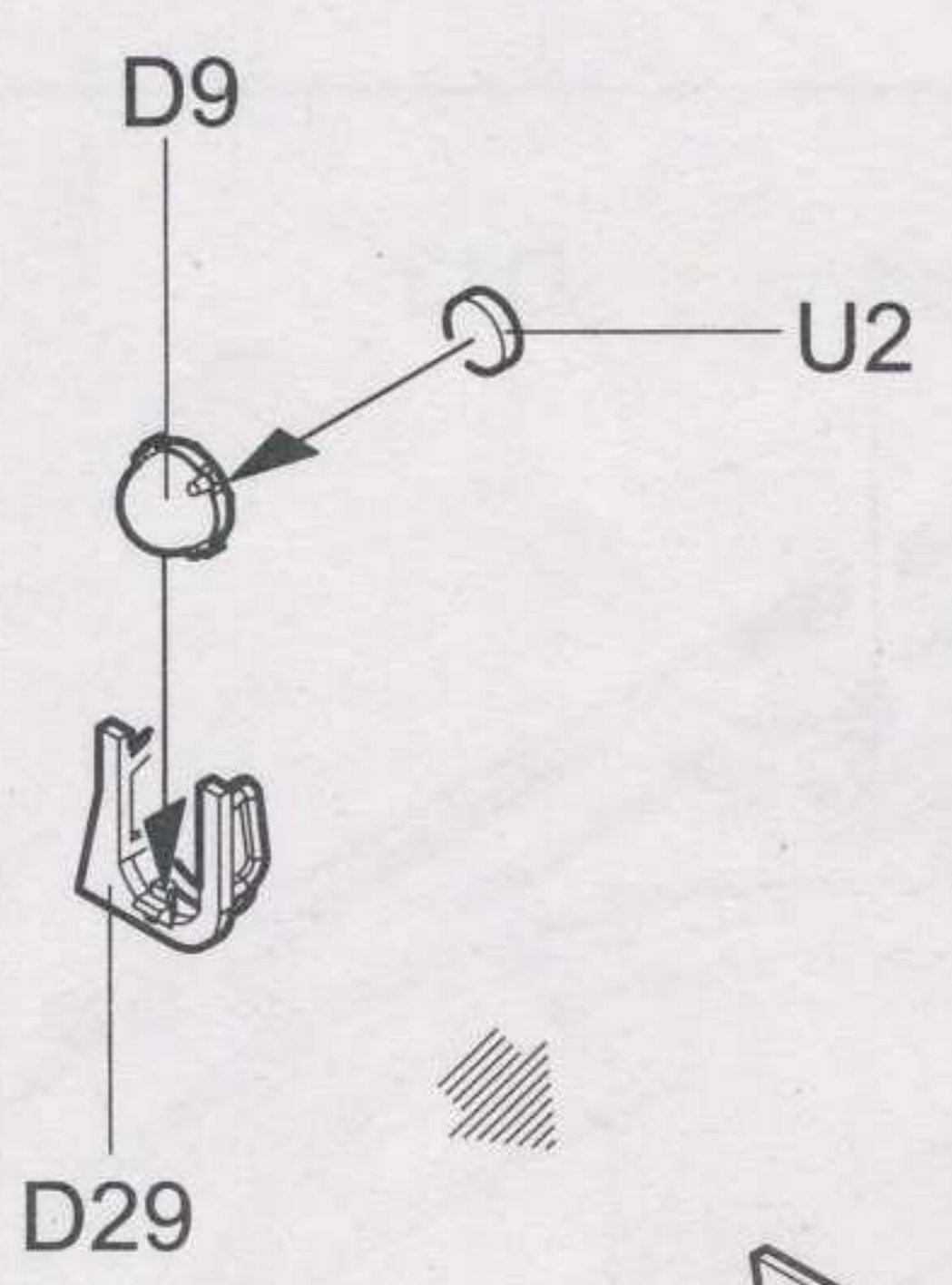
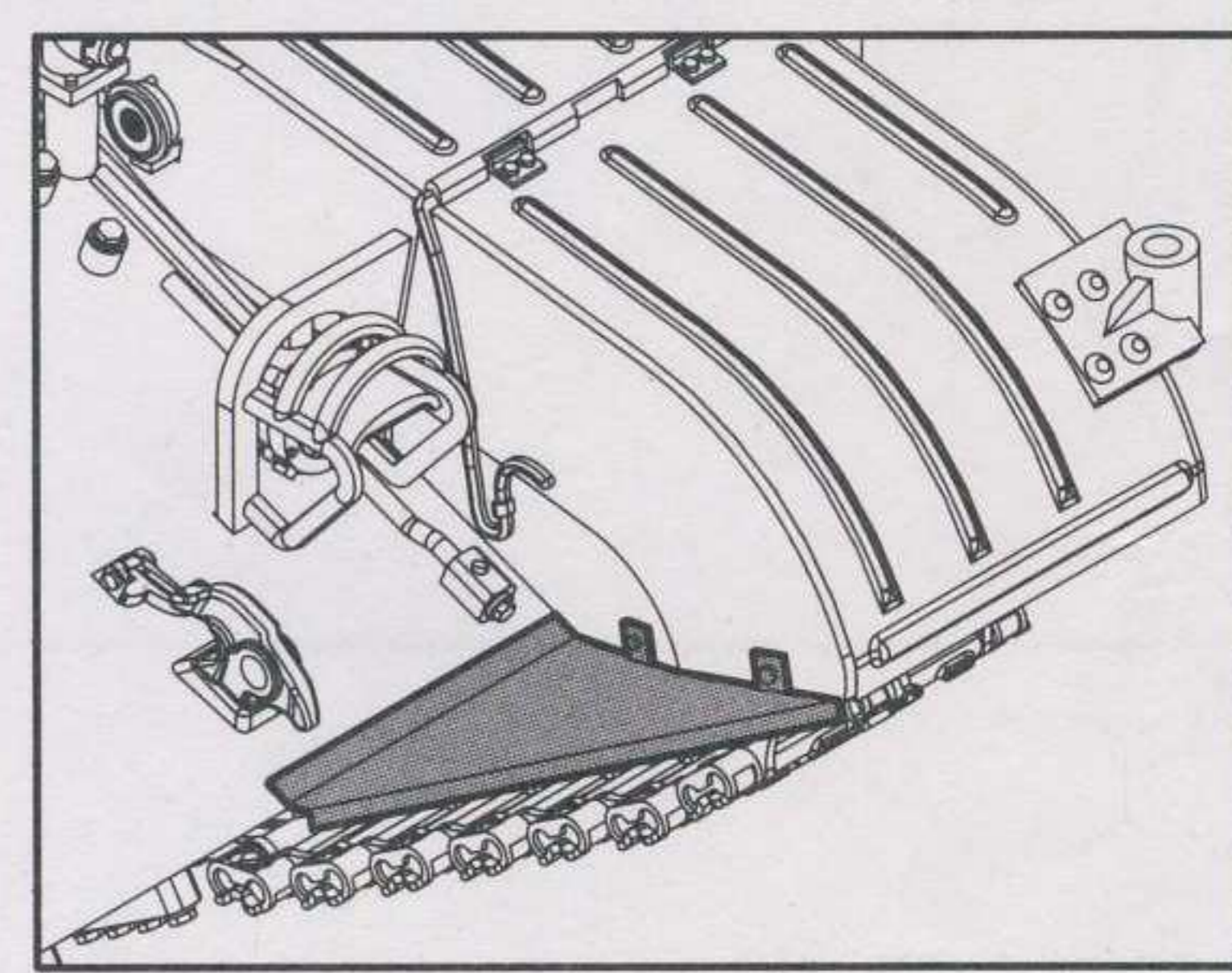
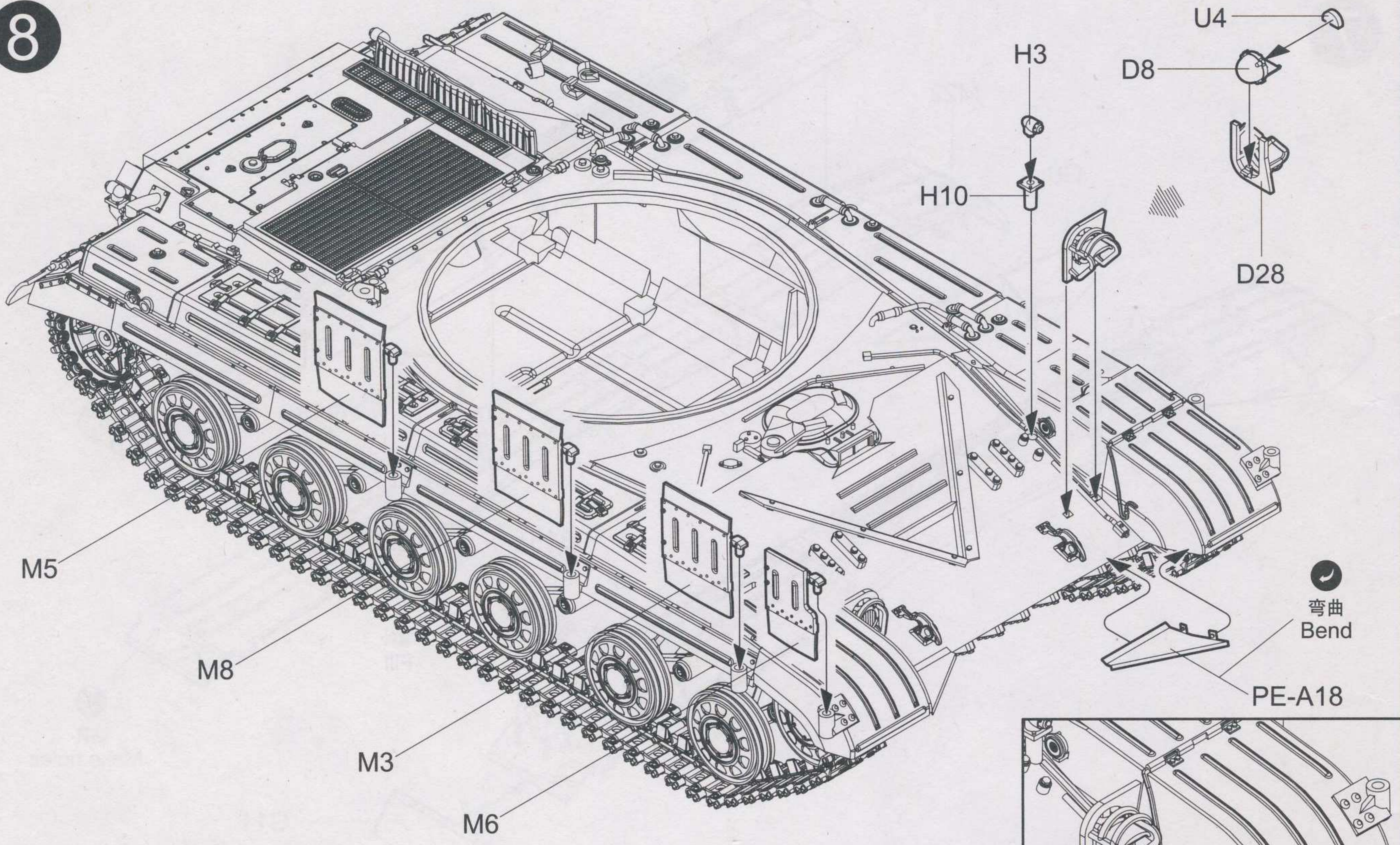
6



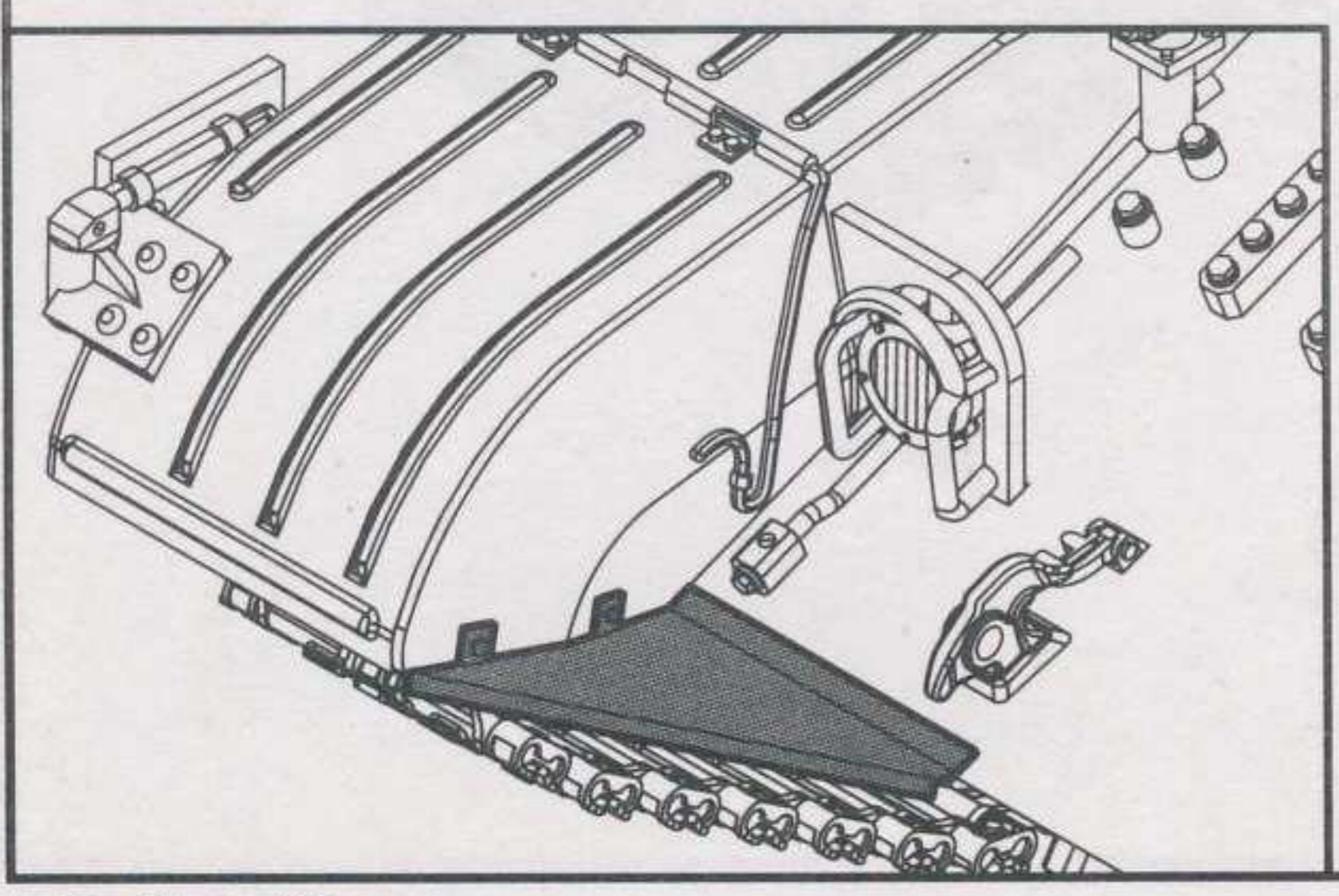
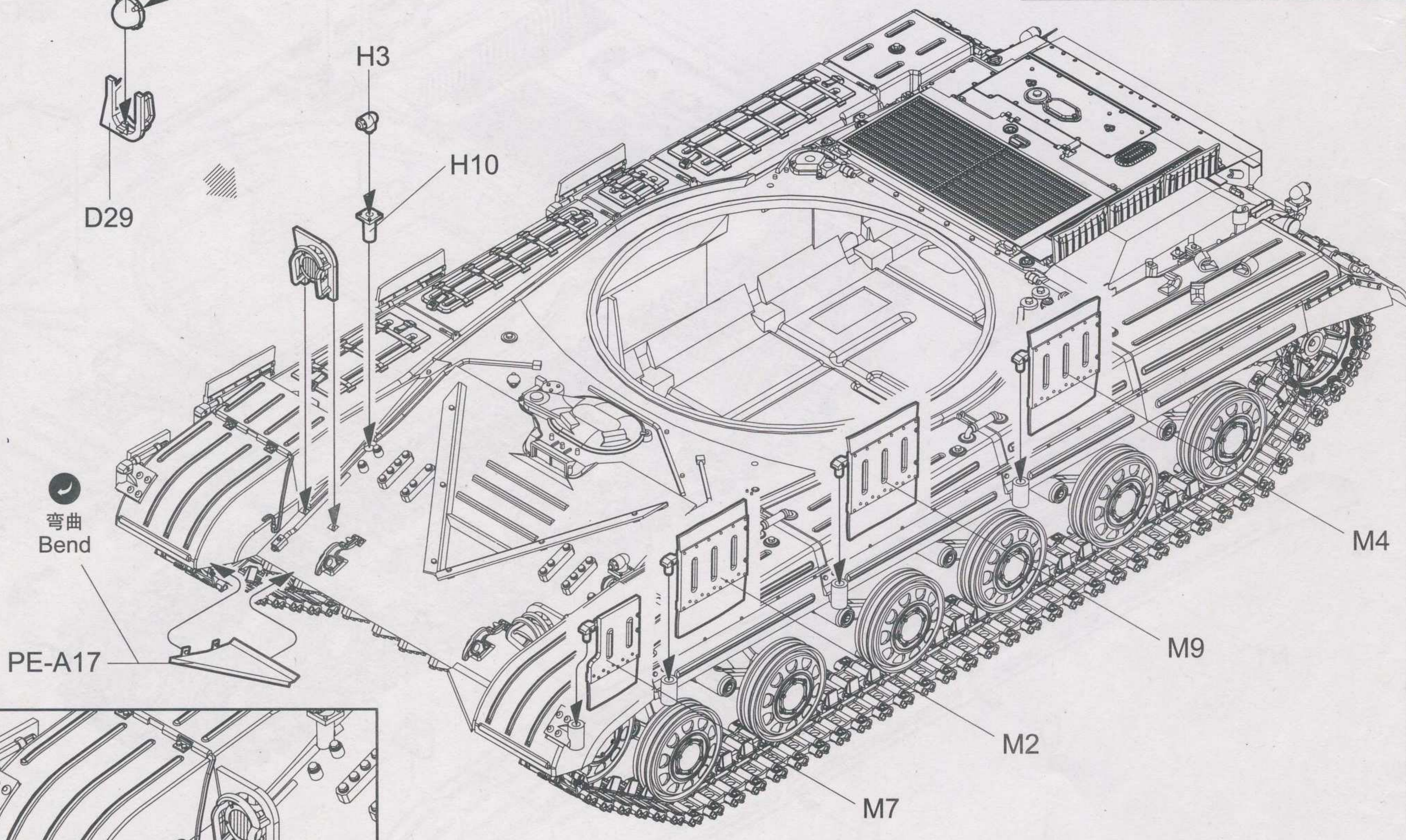
7



8



弯曲 Bend



9

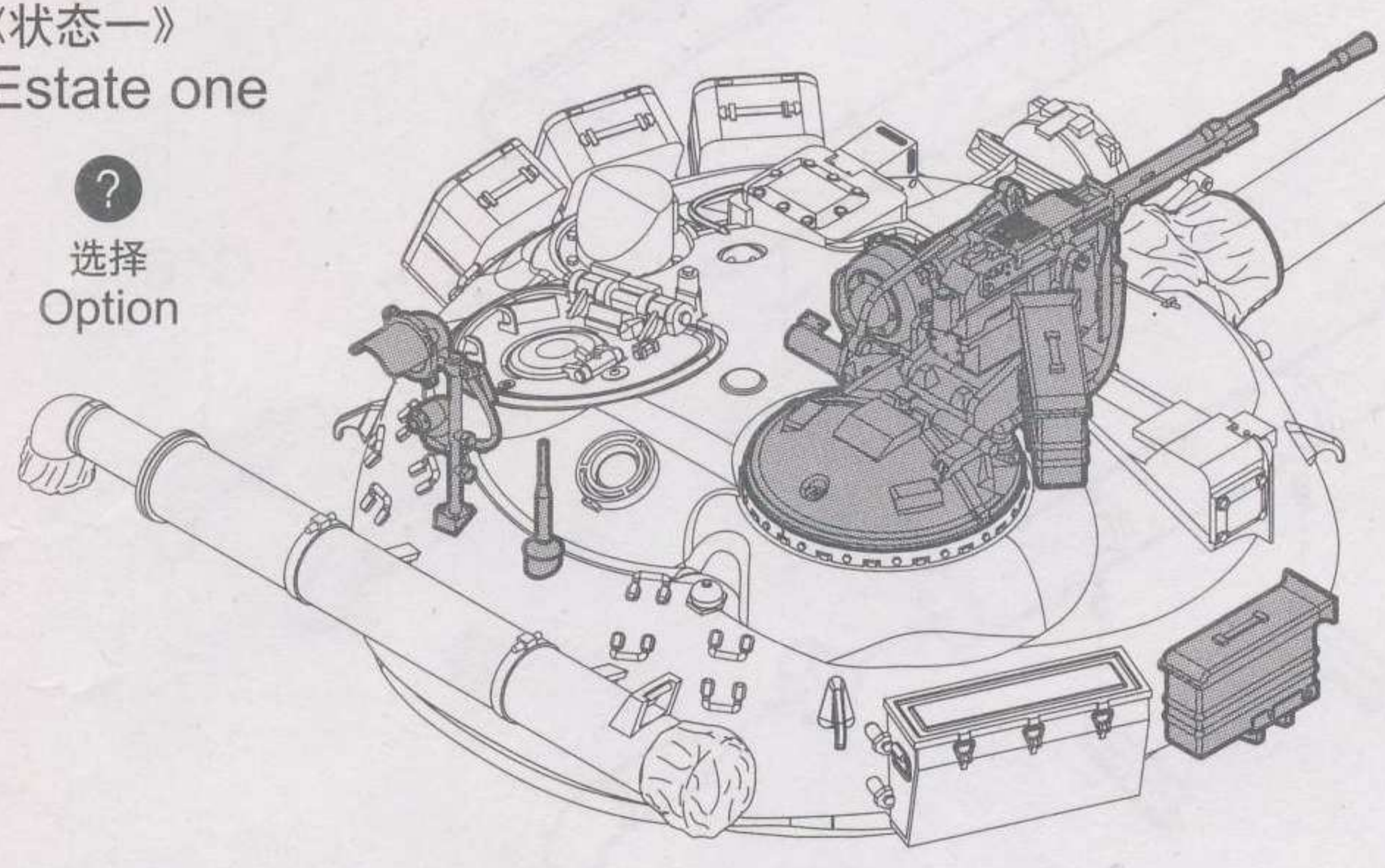
J8

弯曲
Bend

D18

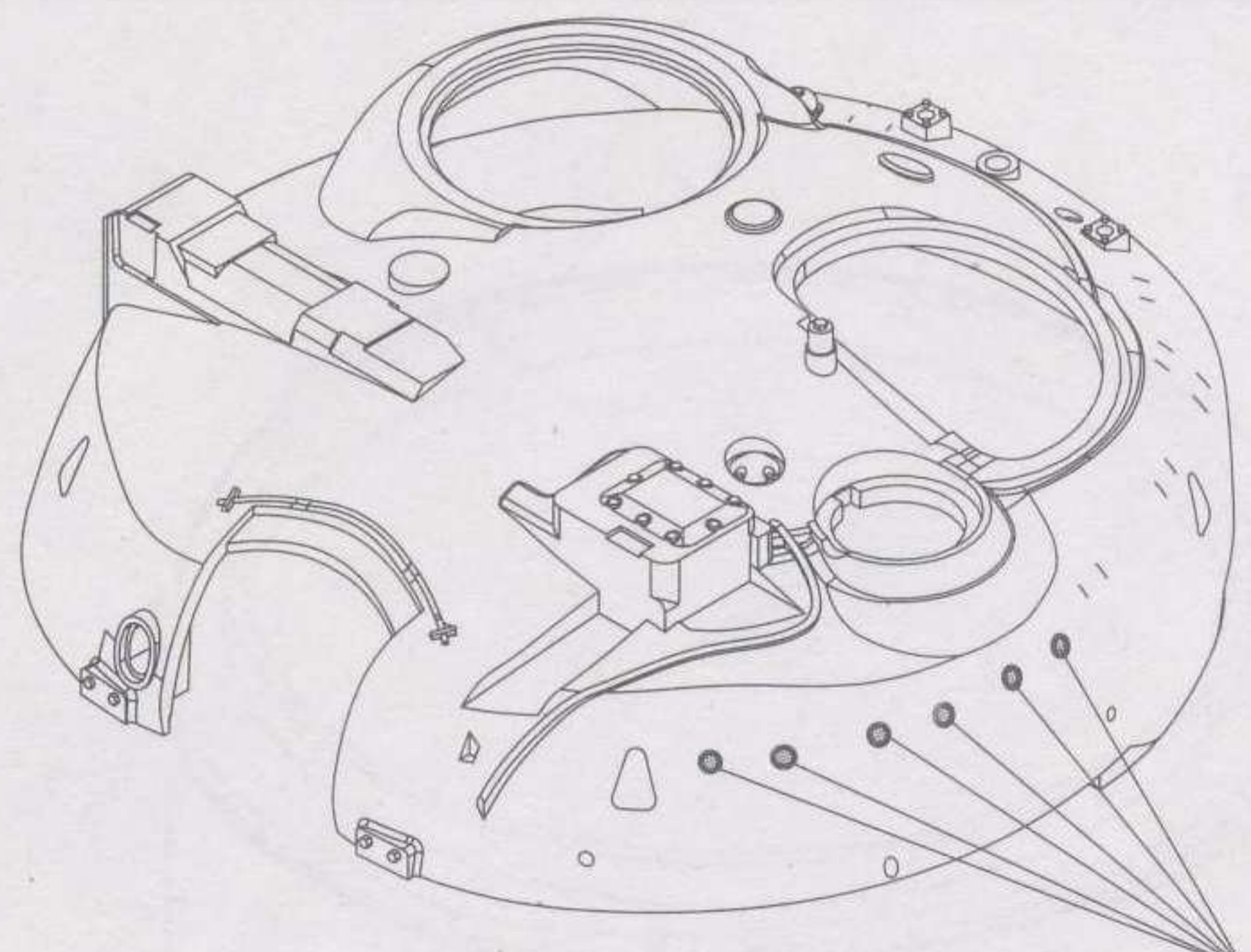
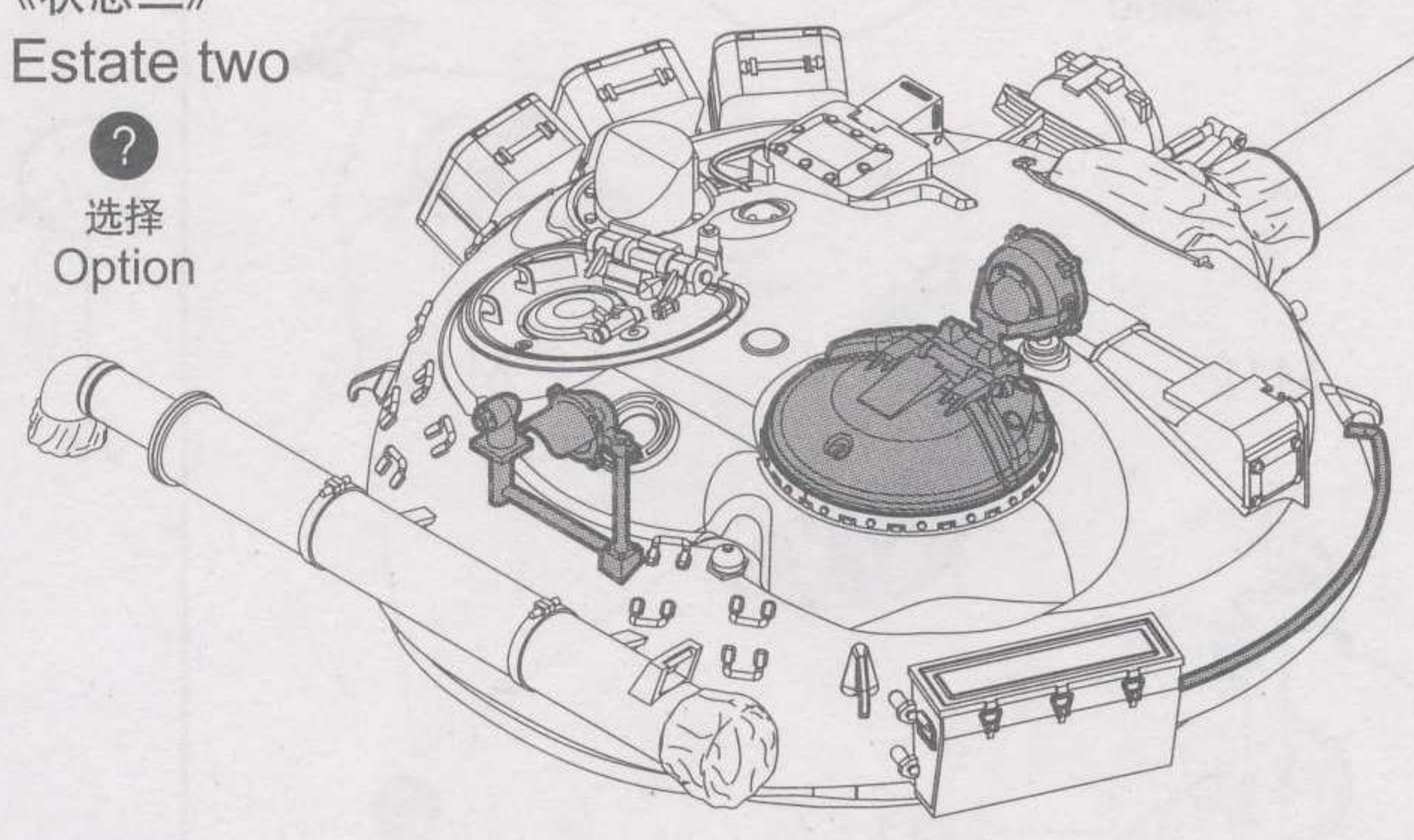
《状态一》
Estate one

?
选择
Option



《状态二》
Estate two

?
选择
Option



! 钻孔
Make holes

切除
Cut / Remove

! 钻孔
Make holes
孔深0.5mm
Profundity

PE-A11

填补
Fill
! 切除
Cut / Remove

! 钻孔
Make holes
孔深0.5mm
Profundity

《G-G》

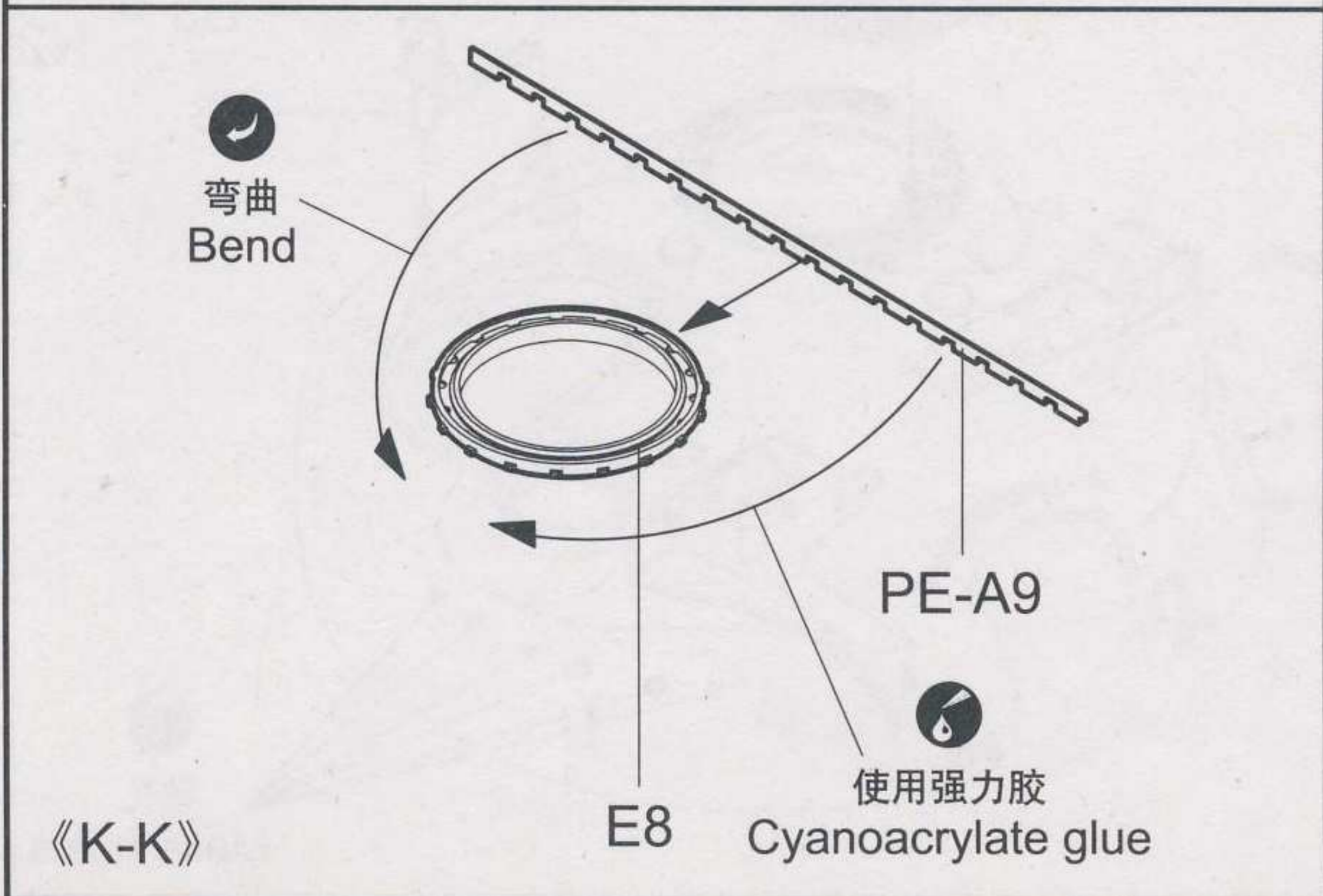
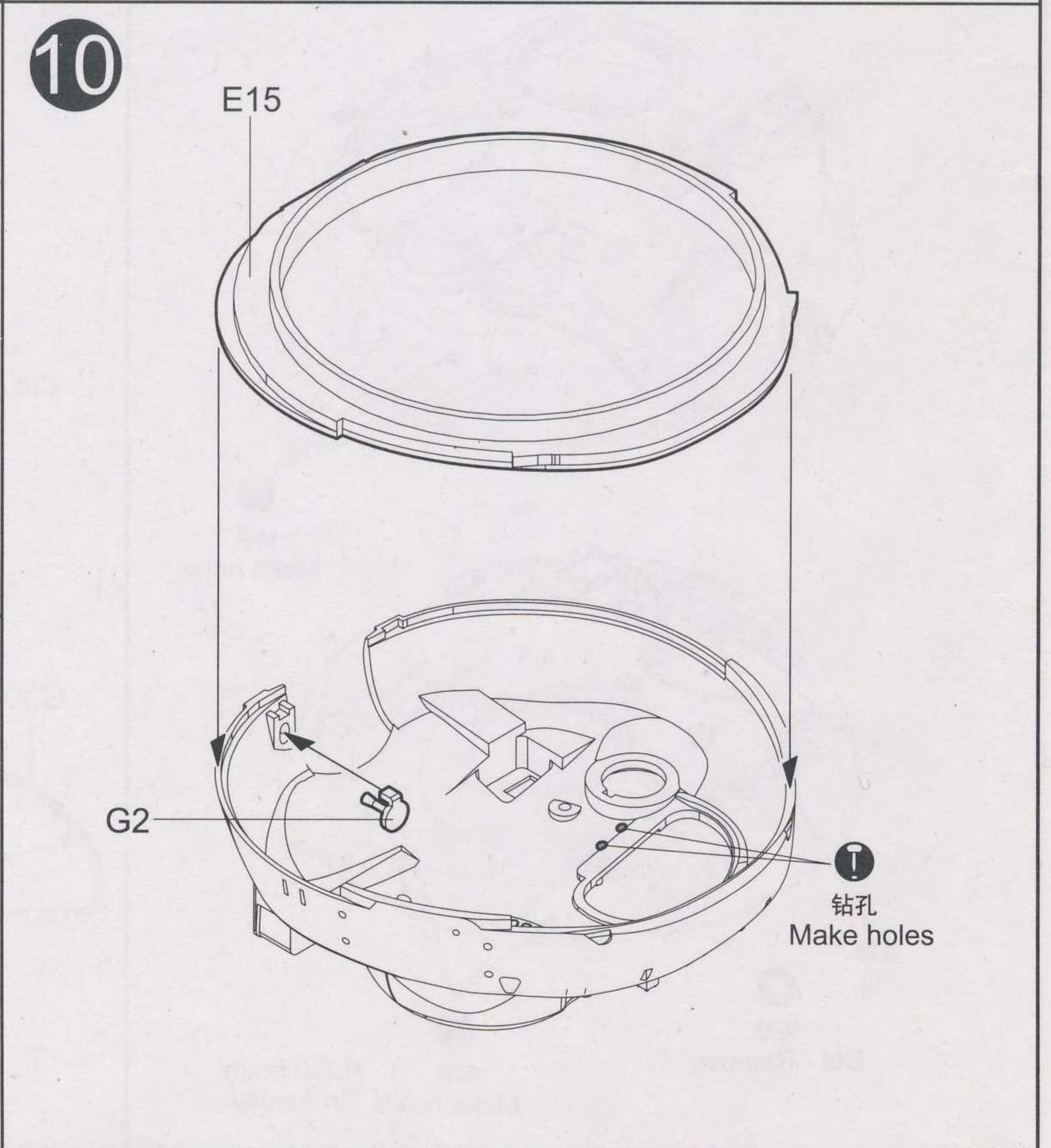
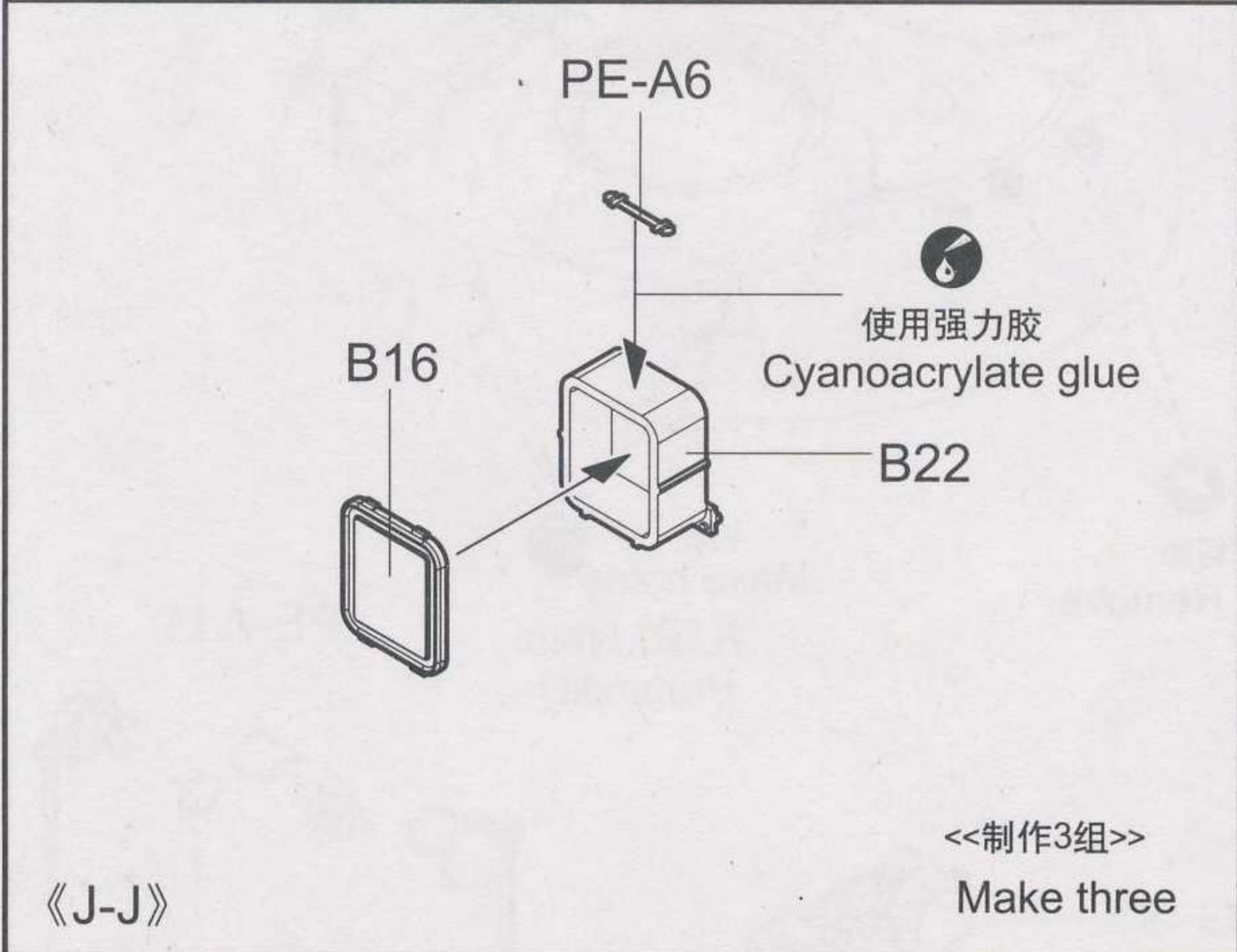
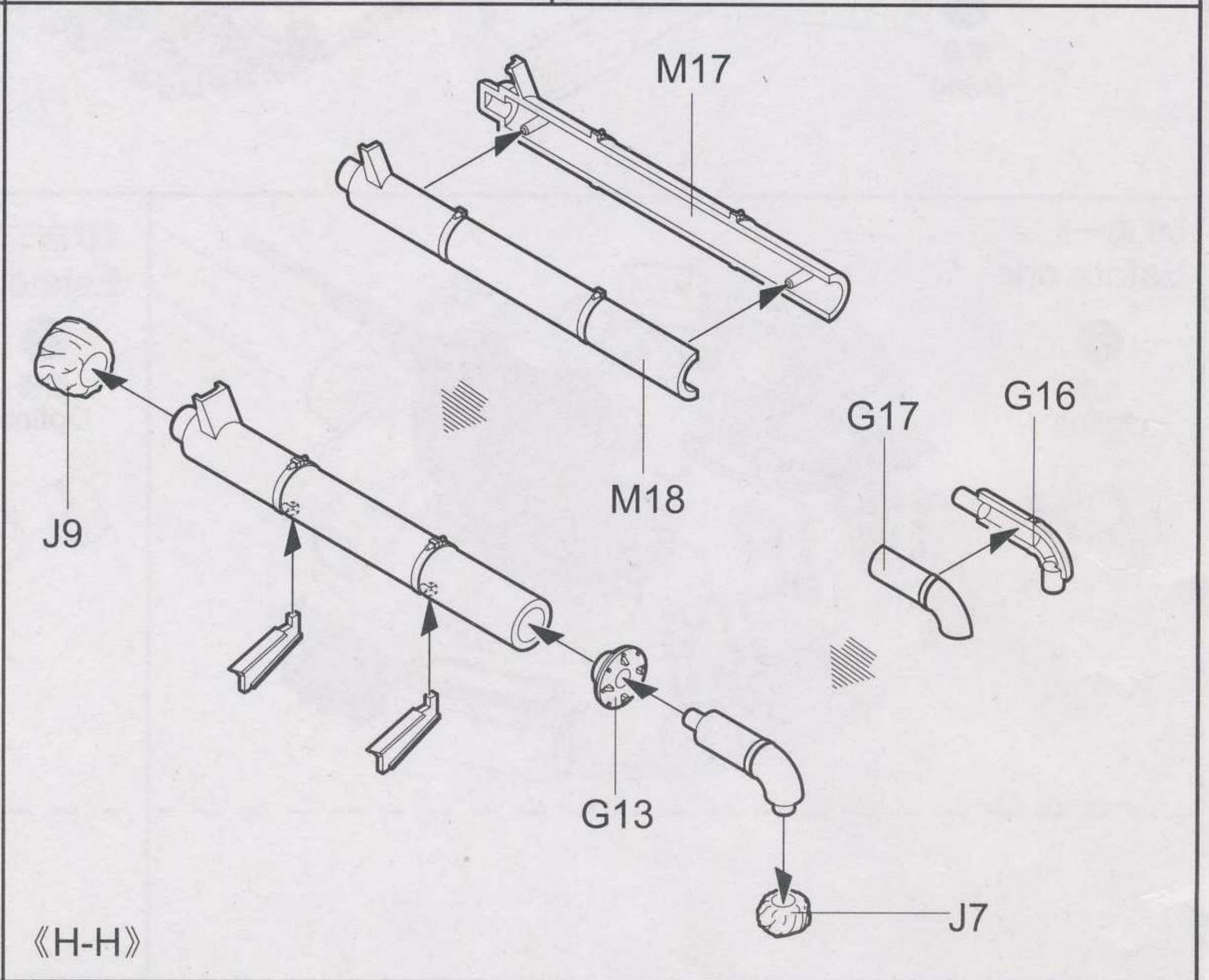
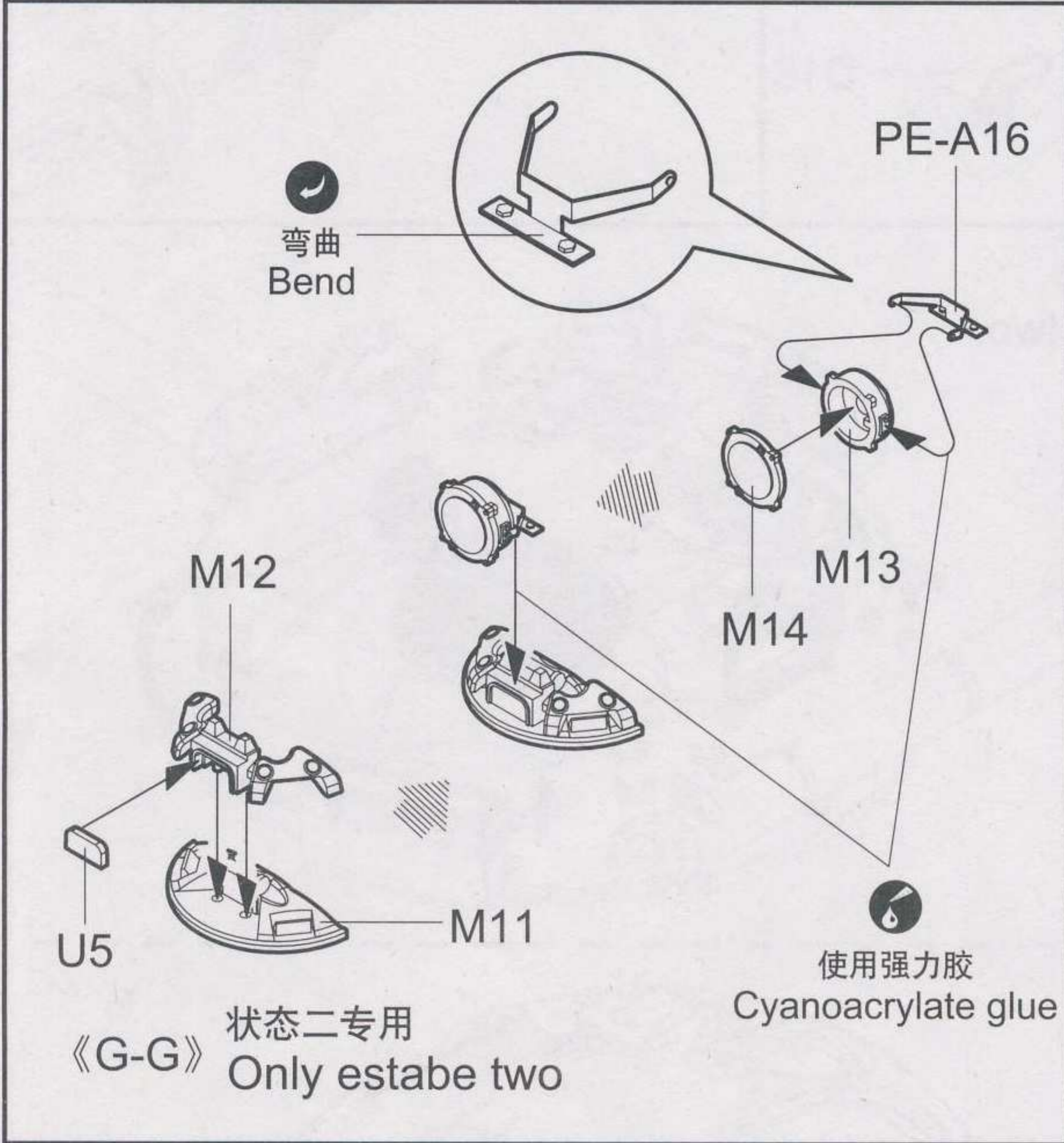
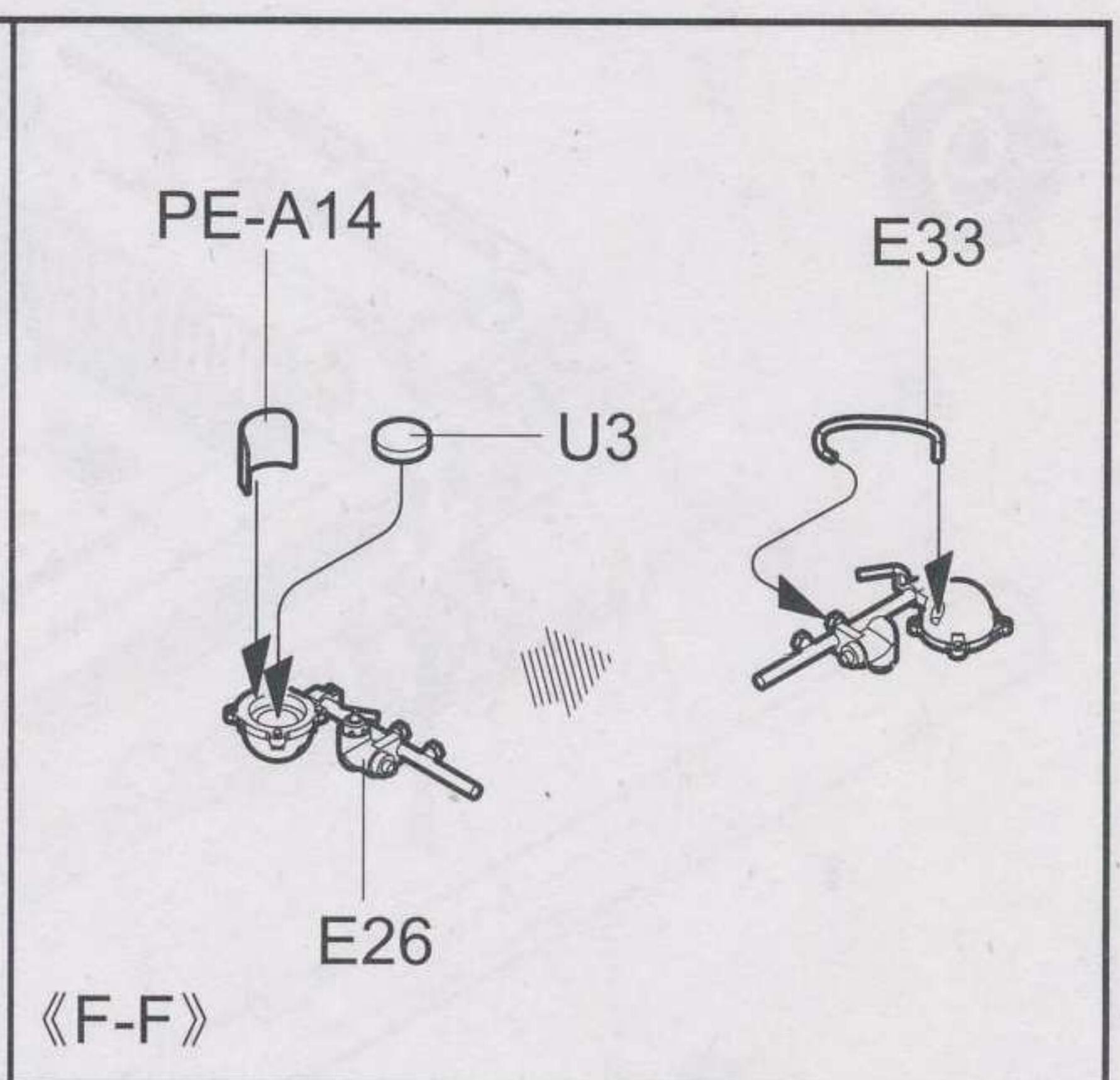
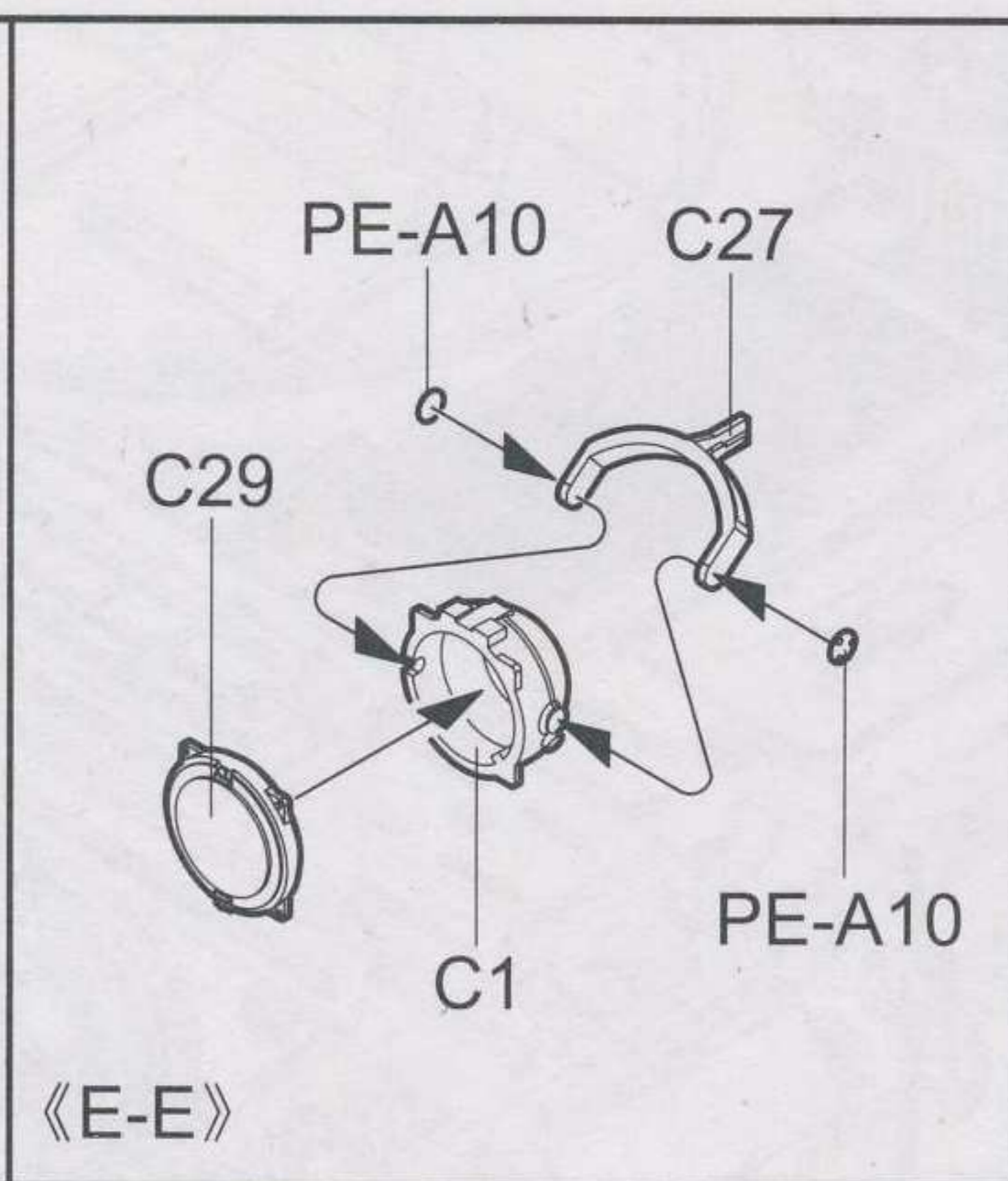
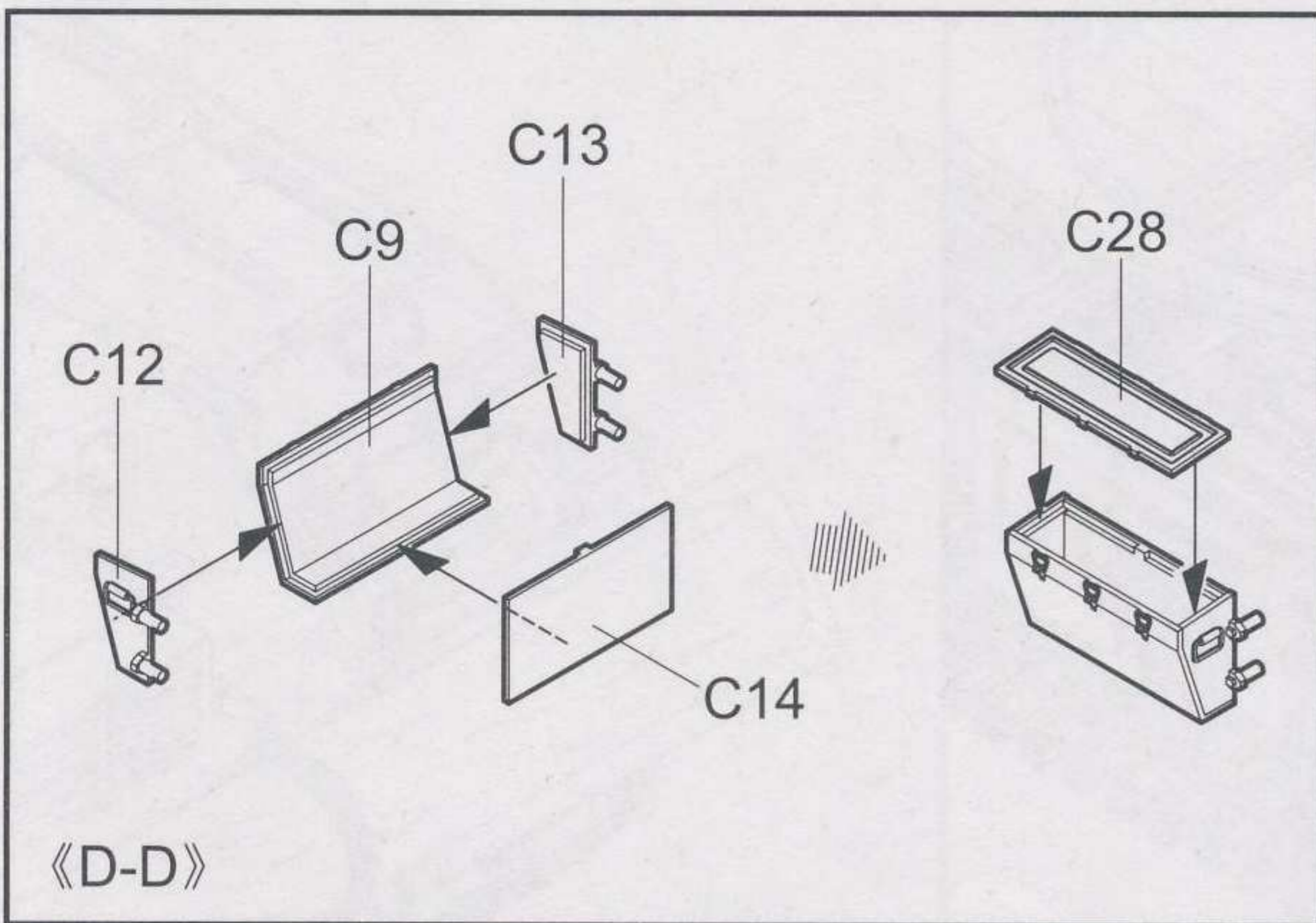
C30

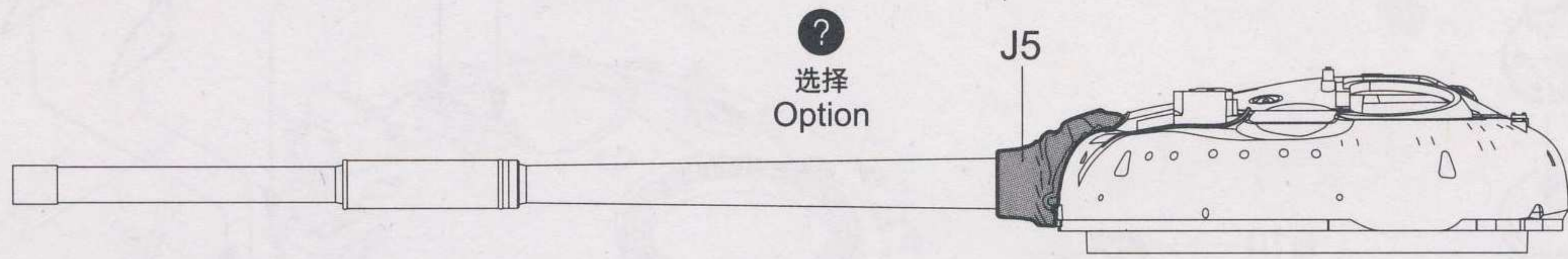
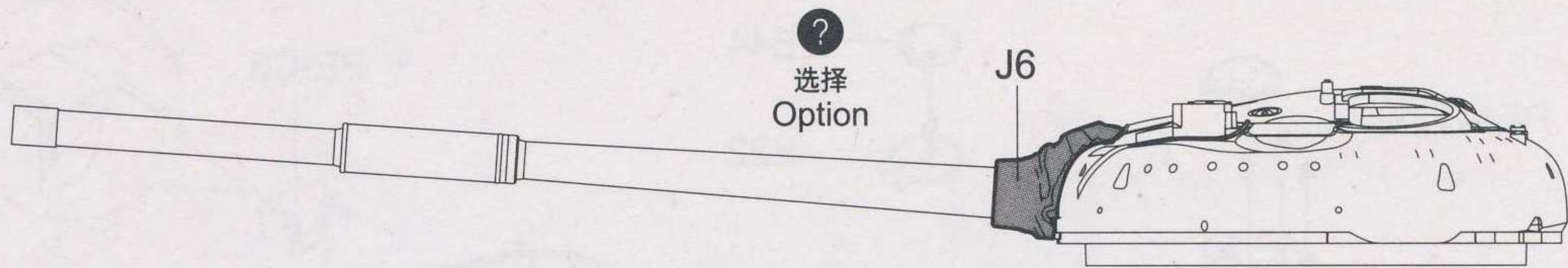
U3

N2

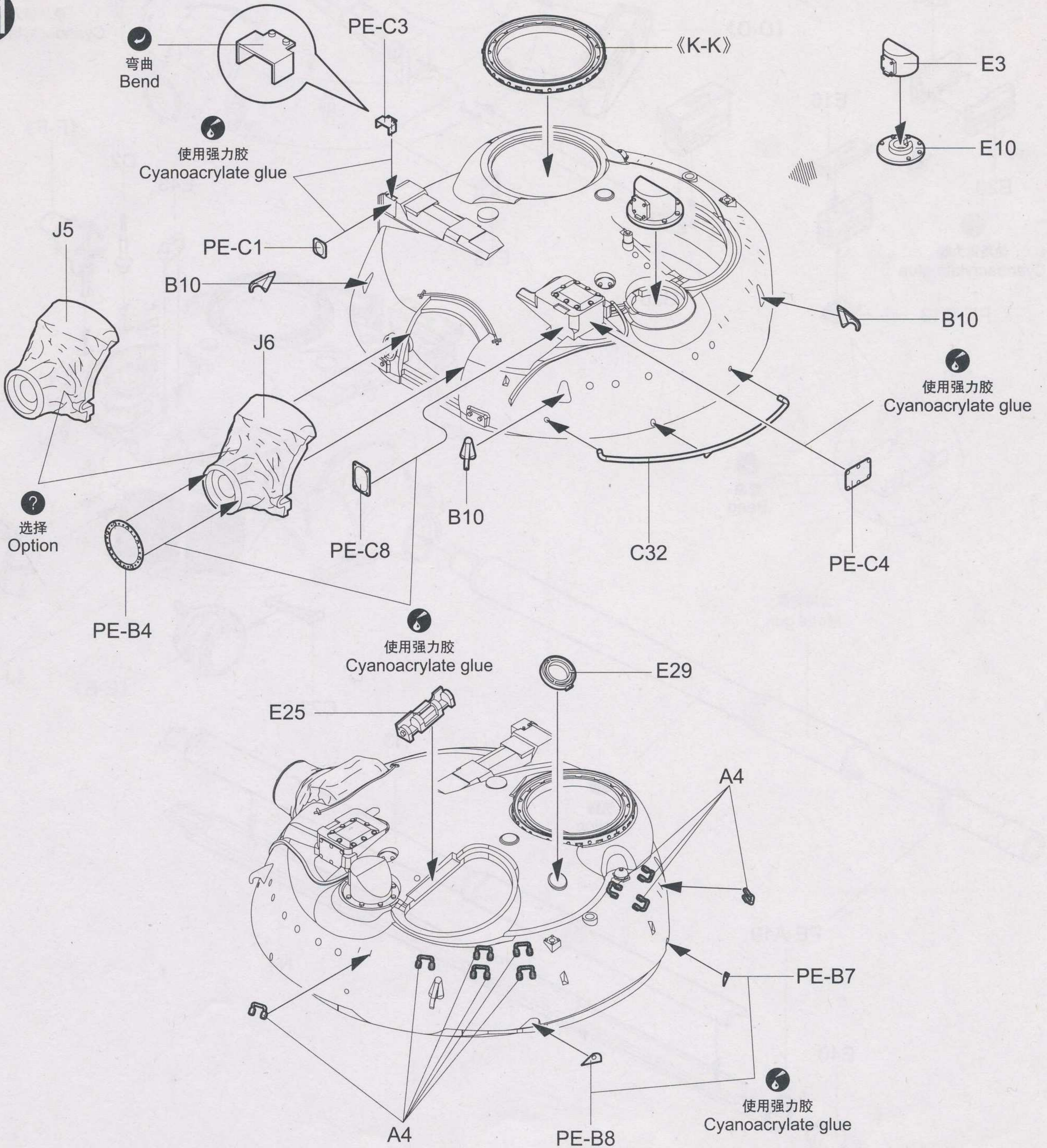
N5

! 钻孔
Make holes

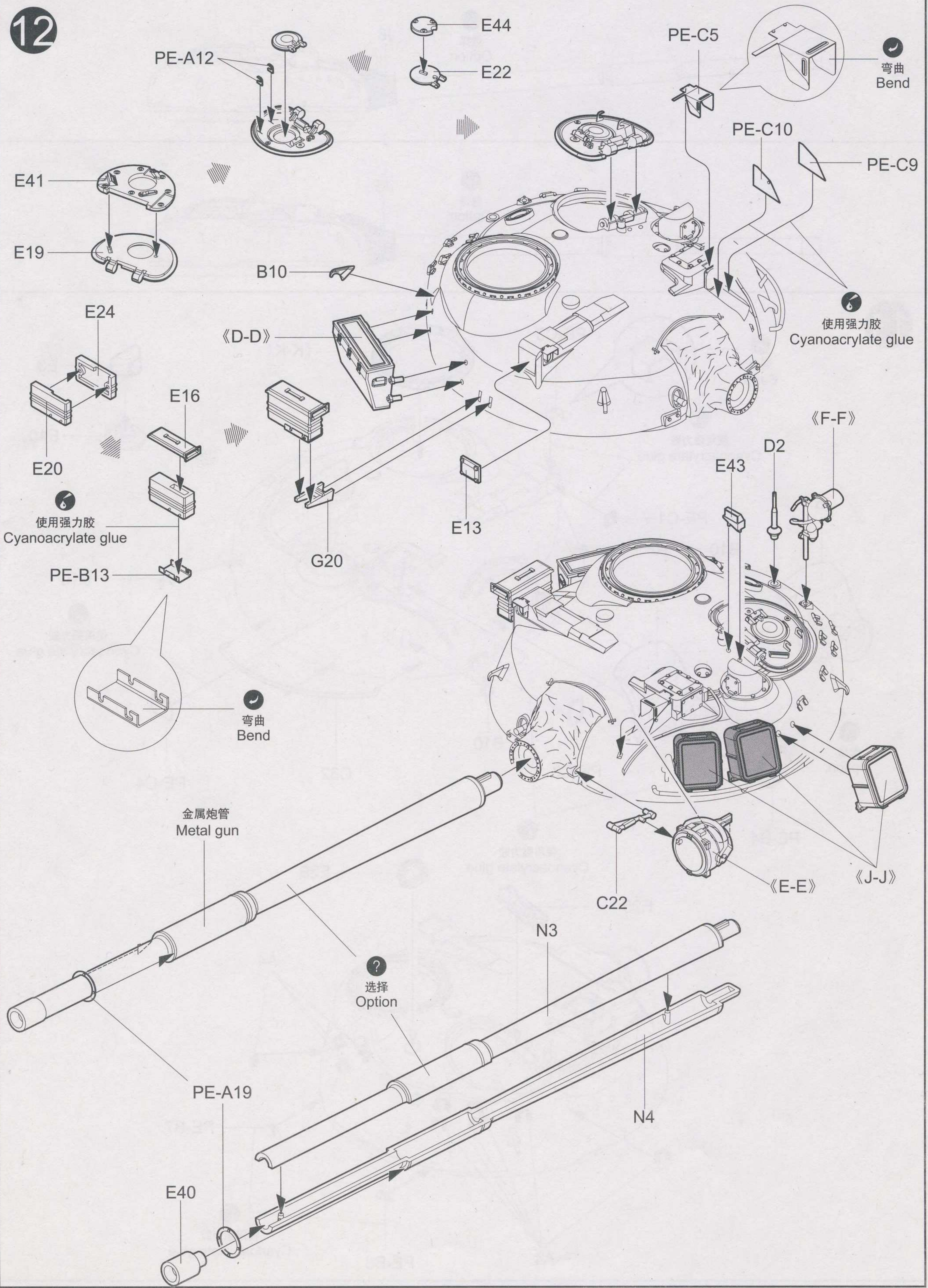




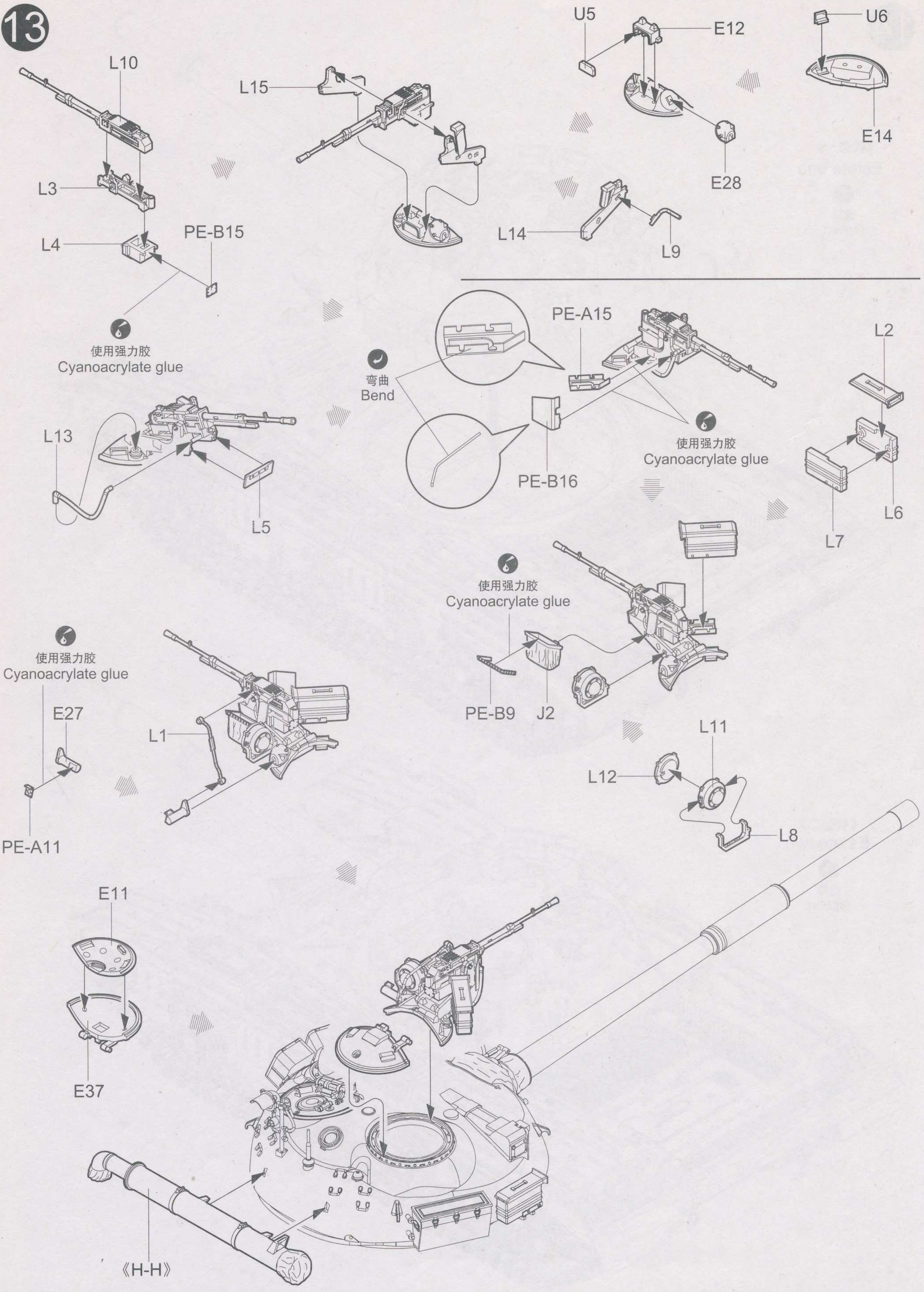
11



12



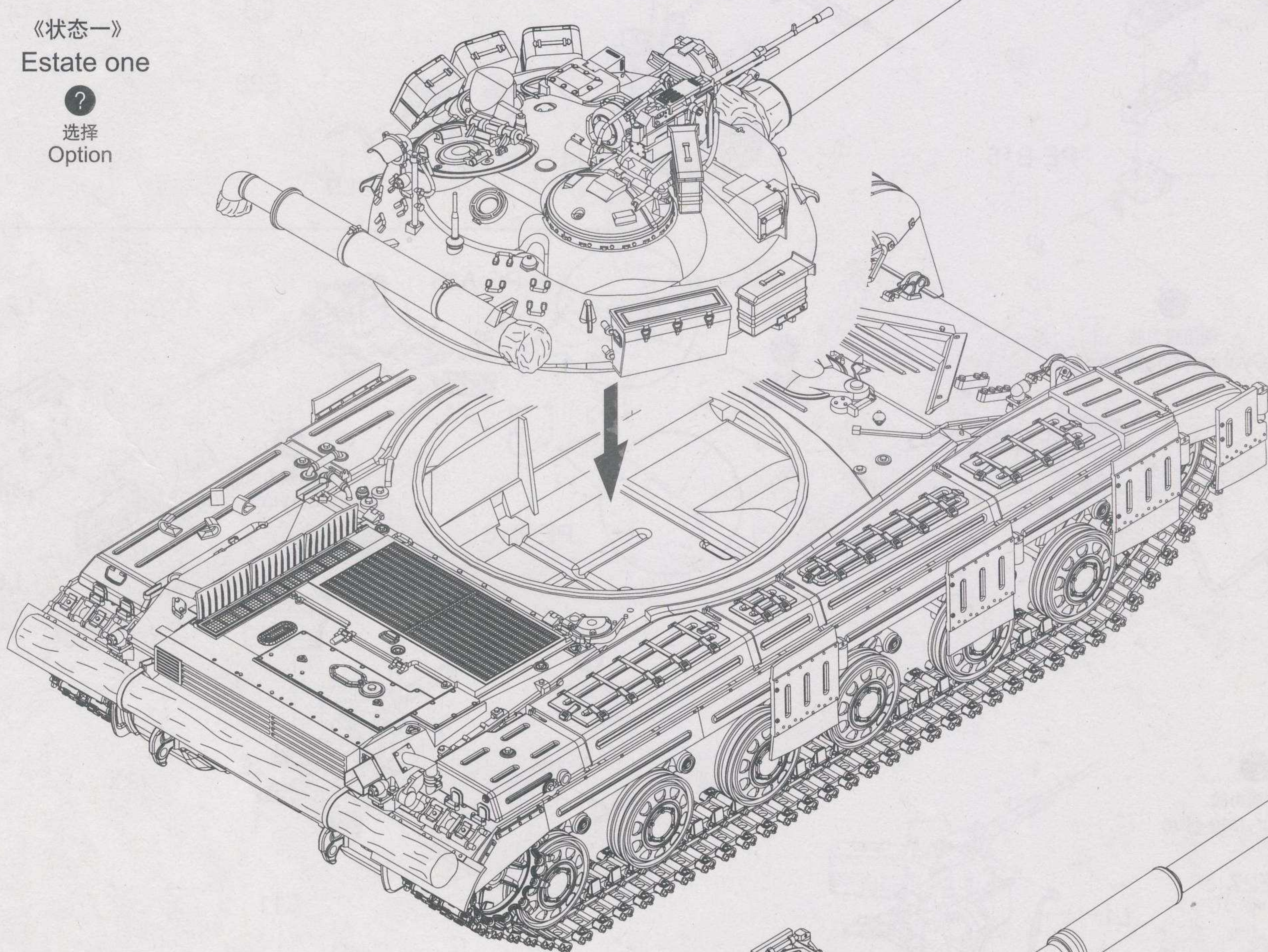
13



《状态一》
Estate one



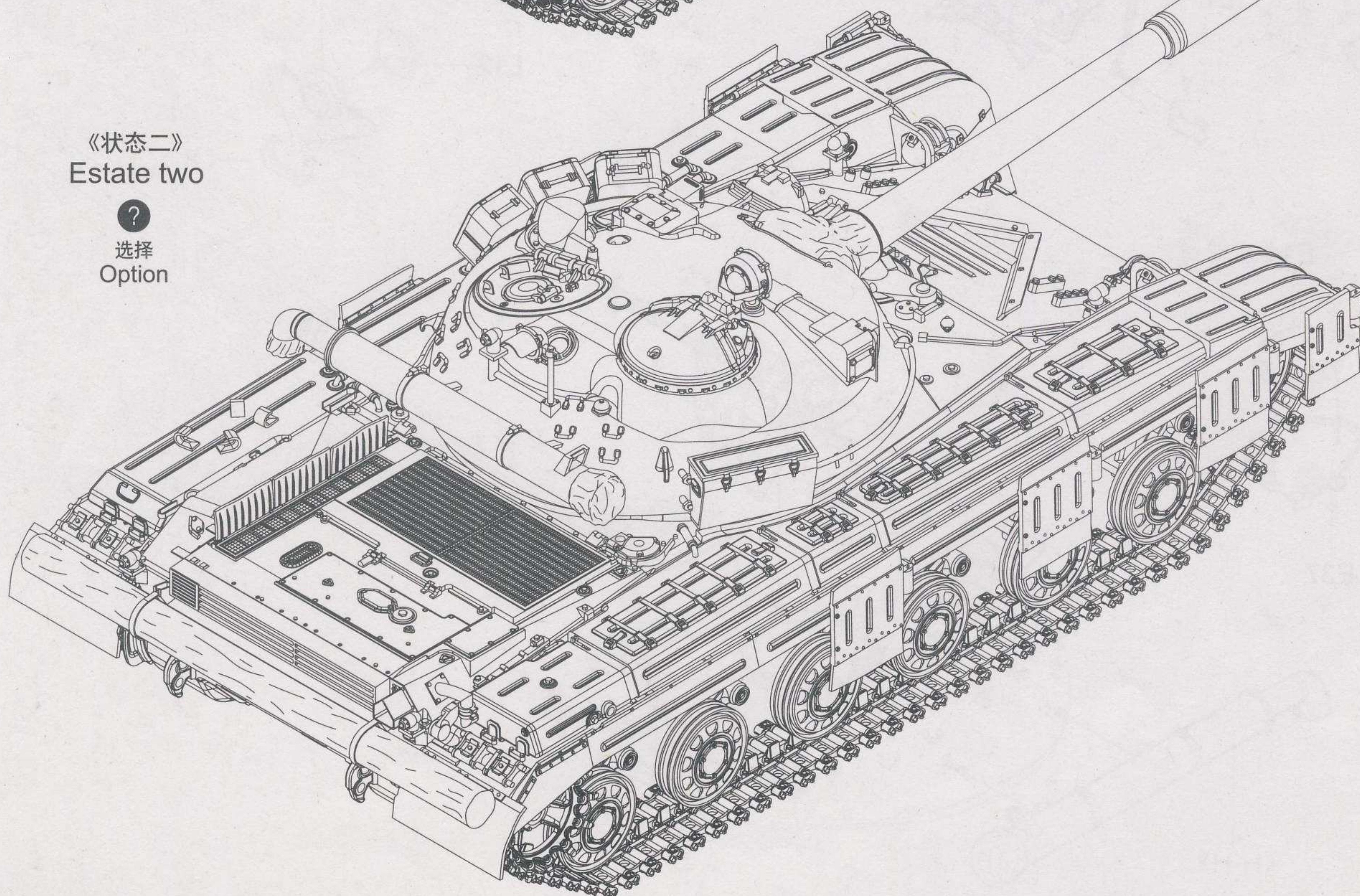
选择
Option



《状态二》
Estate two



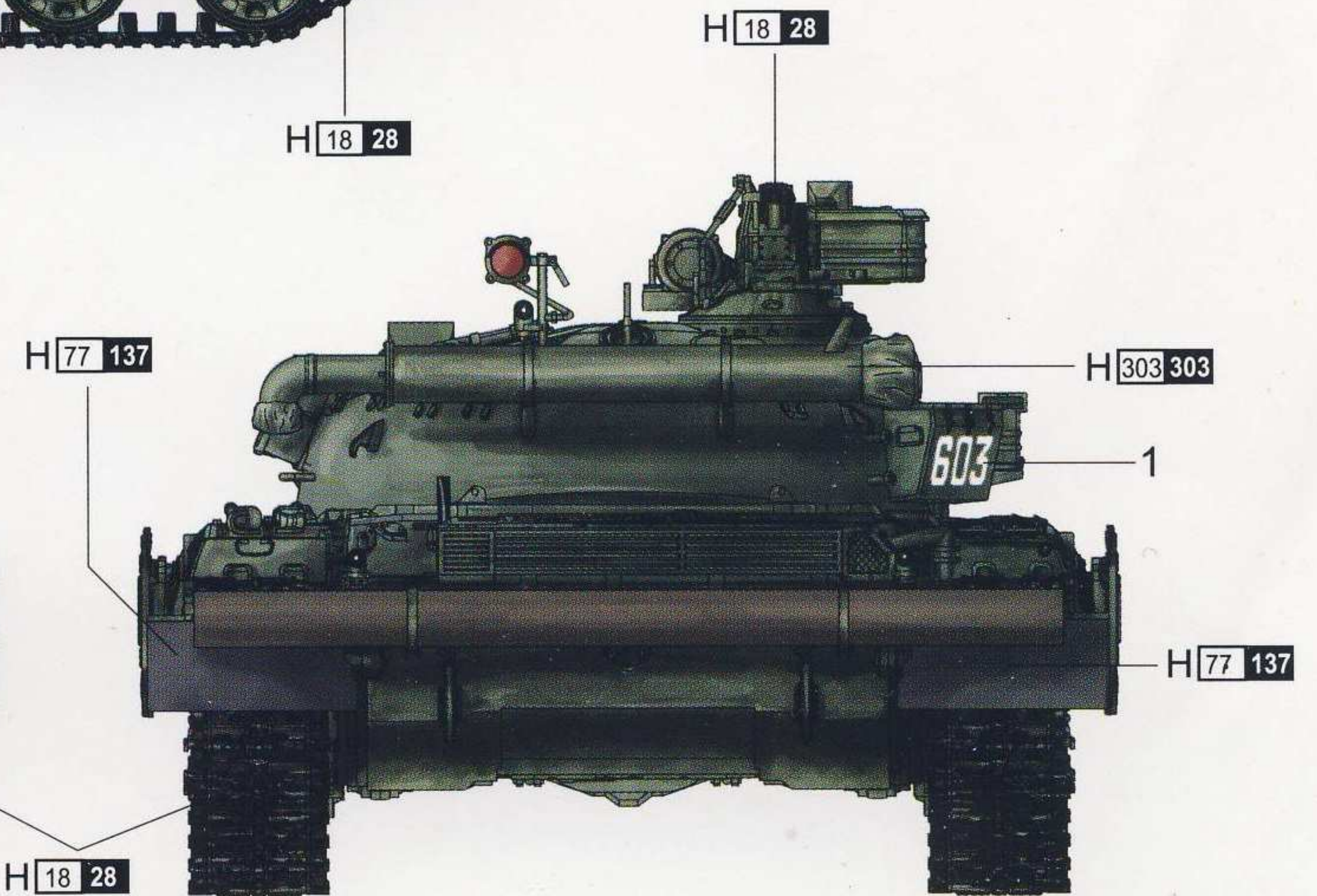
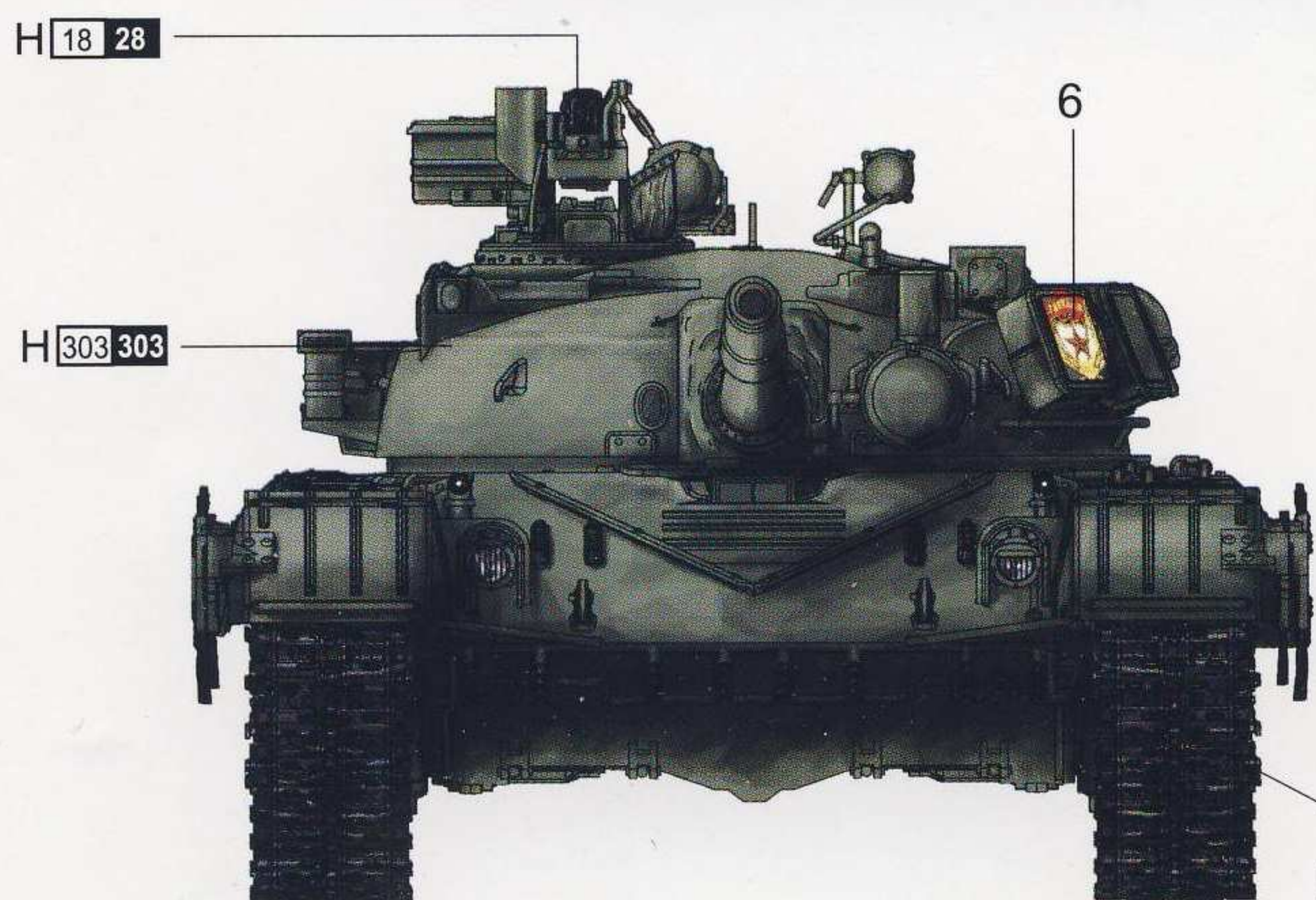
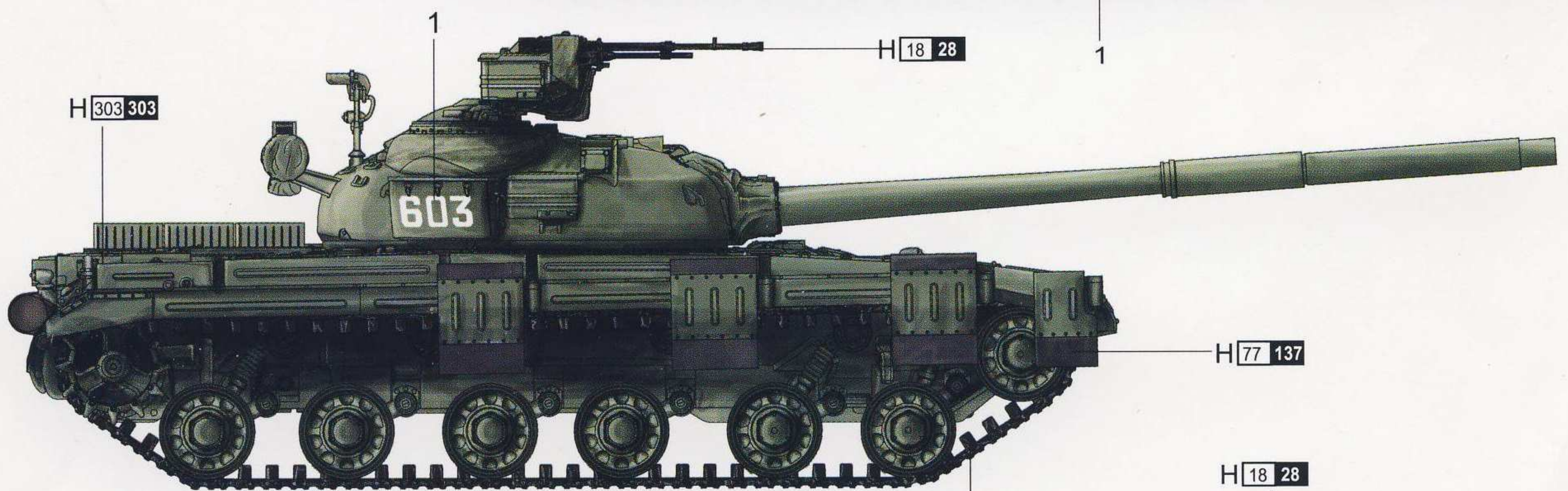
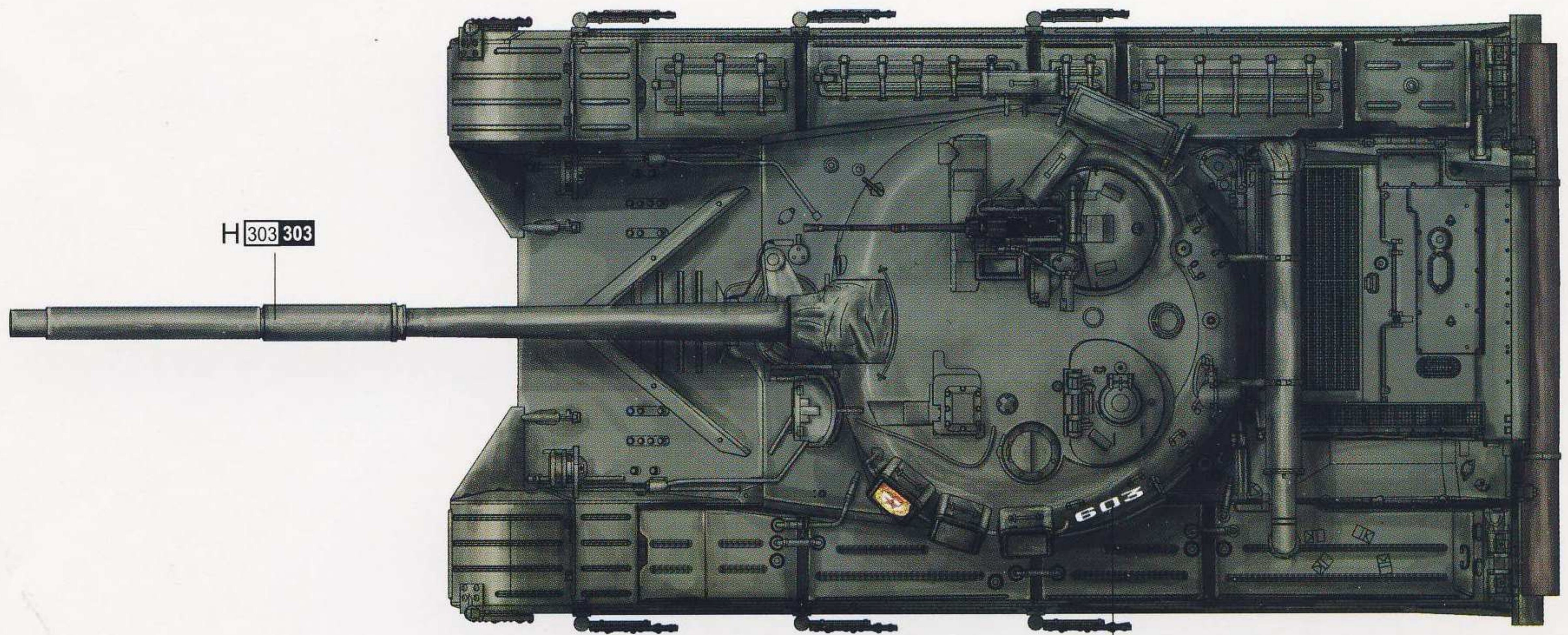
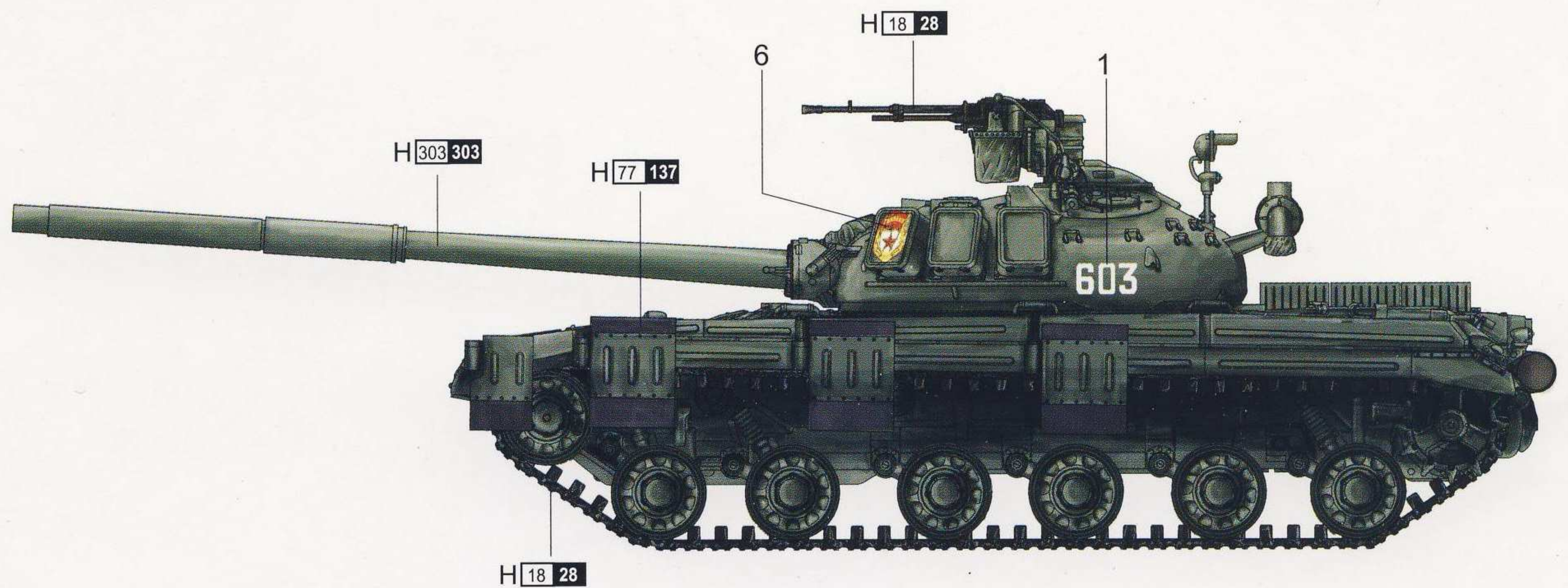
选择
Option



涂装同标贴指示

Painting & Marking guide

Color	Mr.Hobby	Vallejo	Model Master	Tamiya	Humbrol
Metal Black 黑铁色	H 18 28	864	1402	-	-
Tire Black 胎黑色	H 77 137	-	-	-	-
Light Green 浅绿色	H 303 303	-	1713	XF20	117



H □ AQUEOUS HOBBY COLOR ■ Mr. COLOR