

苏联T-64B 主战坦克(1975年)

Soviet T-64B MOD 1975

READ BEFORE ASSEMBLY:

- Study and understand these instructions thoroughly before beginning assembly
- When needed, remove photo-etch parts carefully using a modeling knife or photo etch sprue cutter, being careful not to damage or lose small parts.
- Take extra care in handling photo etch parts in order to avoid injury
- Apply instant cement sparingly to photo etch parts where instructed
- Tools recommended(not included in kit):Plastic and instant cements, sprue cutters,long nose pliers,modeling knife, small files, tweezers, pin vise & scissors. Soft cloth and sandpaper will also assist in construction
- Glue and paint are not included in the kit. Use plastic cement and hobby paints only. Color guide for purchasing paint is included in the kit.

装配之前仔细阅读

- 小心用模型锉刀锉平所有零件表面的注射浇口。
- 小心用刀片切下蚀刻片零件，不要遗失小零件。
- 用强力快干胶水粘合蚀刻片零件和金属轴。过量快干胶水使用可能导致可动零件会粘住，小心涂胶。
- 取蚀刻片时应特别注意安全，防止利边划伤手指。
- 某些零件表面需贴水上贴纸，请选择在装配的同时进行。
- 推荐模型工具(自备)：胶水，水口剪刀，长咀钳，刀片，锉刀，镊子，钳，钻，剪刀，瞬间快干胶。
- 软布同砂纸同时也应该是必备工具。
- 请使用塑料胶水和油漆，模型内不含。

配重
Weight使用强力胶
Cyanoacrylate glue钻孔
Make hole切除
Cut / Remove贴纸
Decal锉平
File / Sand选择
Option不涂胶水
No cement弯曲
Bend

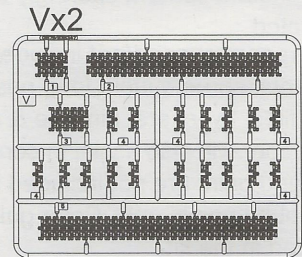
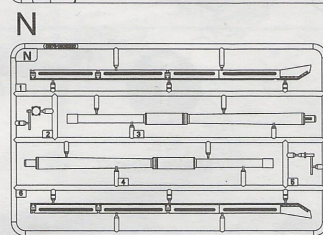
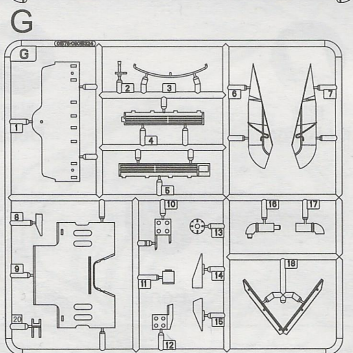
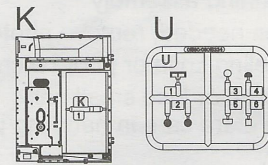
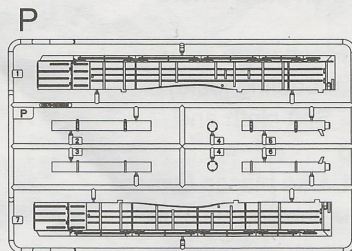
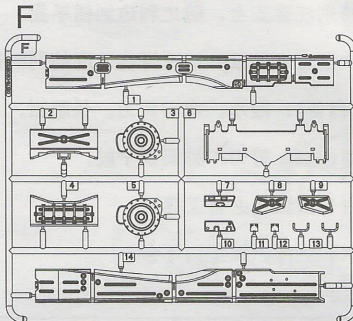
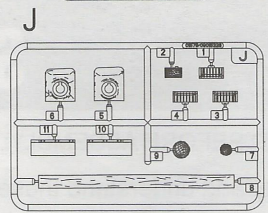
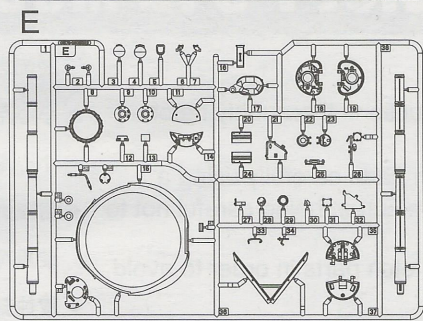
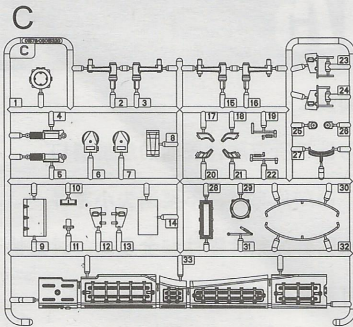
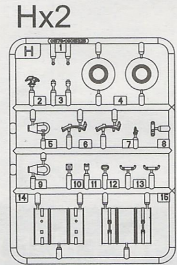
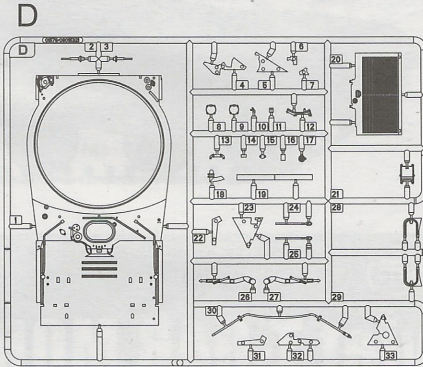
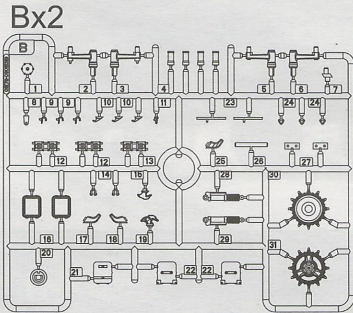
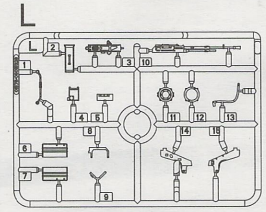
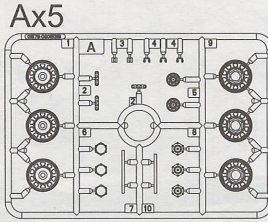
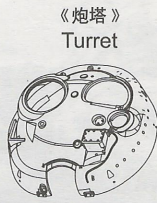
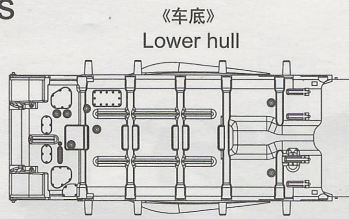
水贴纸的使用:

- 1.从水贴纸上剪下印花;
- 2.将印花放入温水中浸10秒,然后放在干净布上。
- 3.拿着印花纸板将印花移到模型上;
- 4.手指蘸水将印花移到适当的位置;
- 5.用软布轻压印花直至水干, 气泡消失

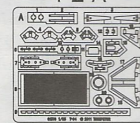
DECAL APPLICATION

- 1.Cut decals from sheet as needed
- 2.Dip the decal in warm water for about 10 seconds and then place on soft clean cloth.
- 3.Hold the decal backing sheet edge and gently slide the decal onto the model in its proper position.
- 4.While still wet,decal can be adjusted for better fit on model by dampening it gently with your finger.
- 5.When placed in the proper position,gently press decal down with a soft cloth until excess water and air bubbles are gone.
- 6.Allow decal to dry completely before handling model

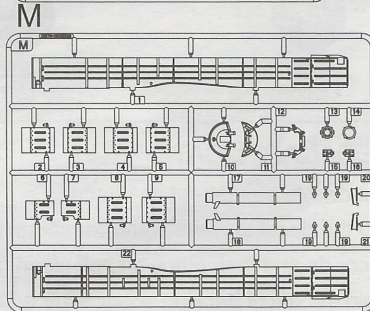
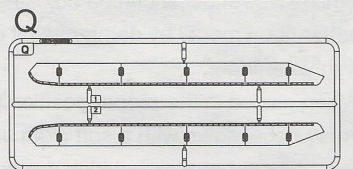
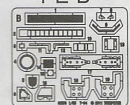
部品图 Parts



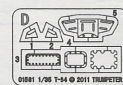
《蚀刻片 A》
PE-A



《蚀刻片 B》
PE-B



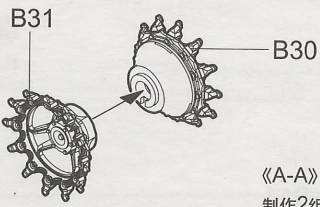
《蚀刻片 D》
PE-D



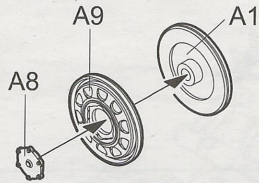
《水贴》
Decal



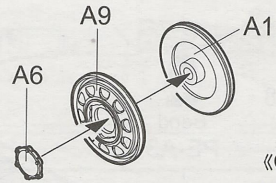
不用零件: A7.A10.B4.B21.C19.C23.C24.C30.C31.C32.C33.D3.D4.D5.D6.D7.D22.D23.D31.D32.D33.E4.E5.E10.E18.E23.E26.
Unused parts E33.E35.E40.E42.E43.G3.G4.G8.G10.G11.G12.G15.G18.N2.N3.N4.N5.M10.M11.M12.M13.M14.M17.M18.M20.M21



《A-A》
制作2组
Make two

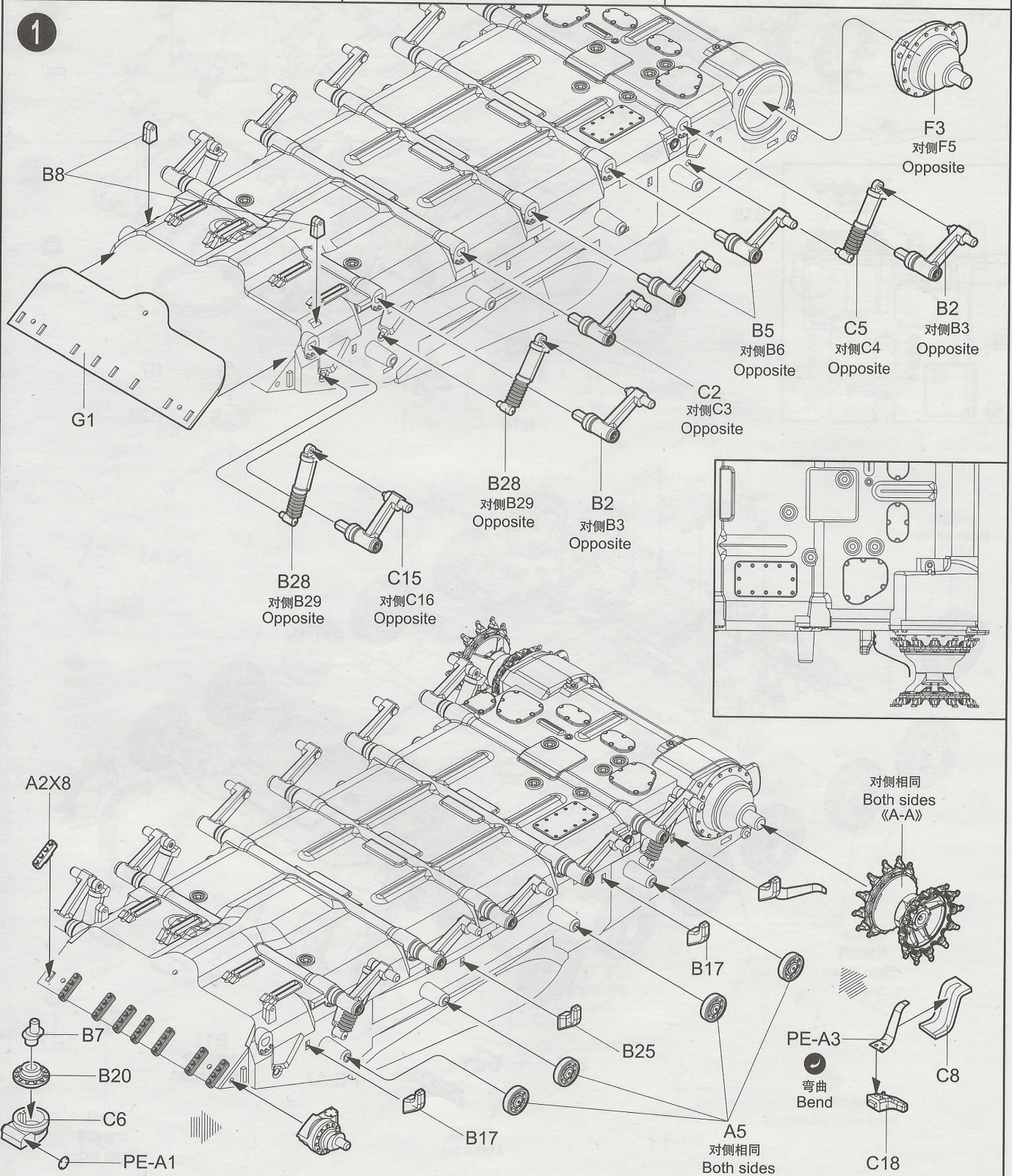


《B-B》
制作2组
Make two

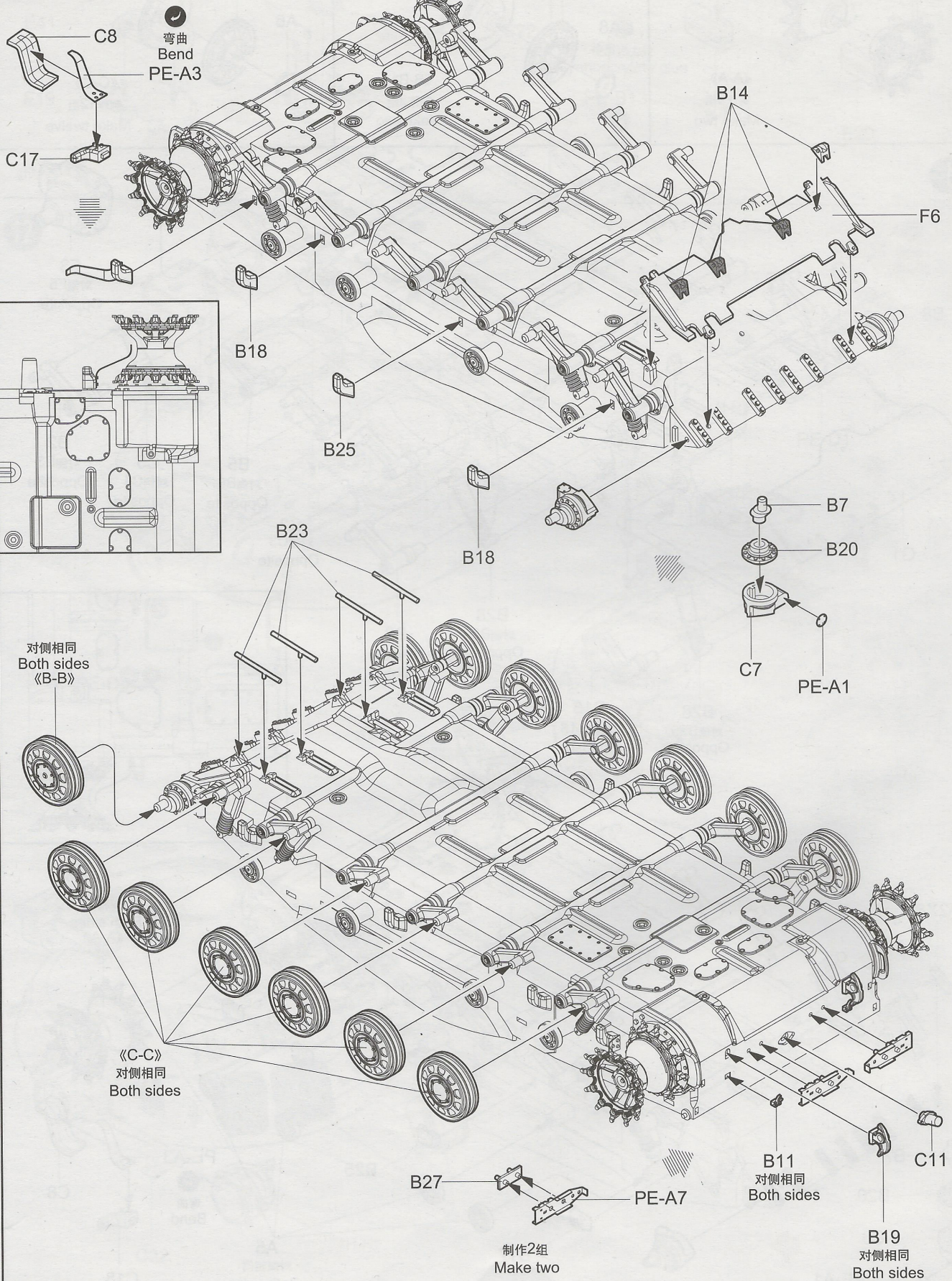


《C-C》
制作12组
Make twelve

1

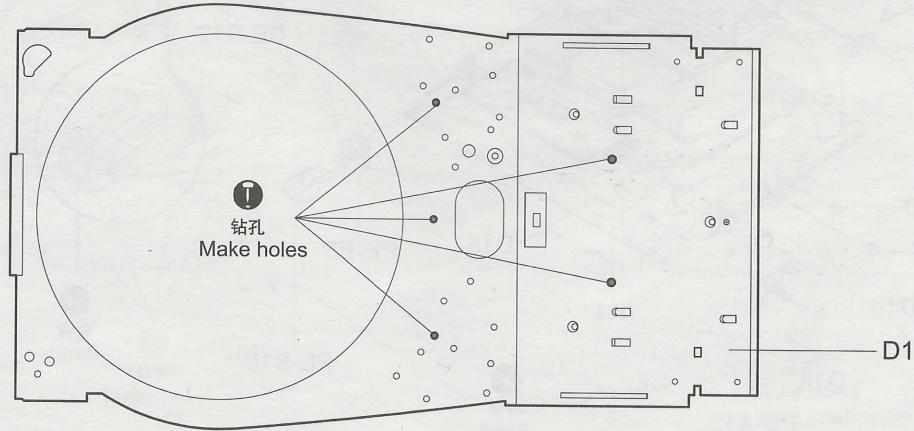
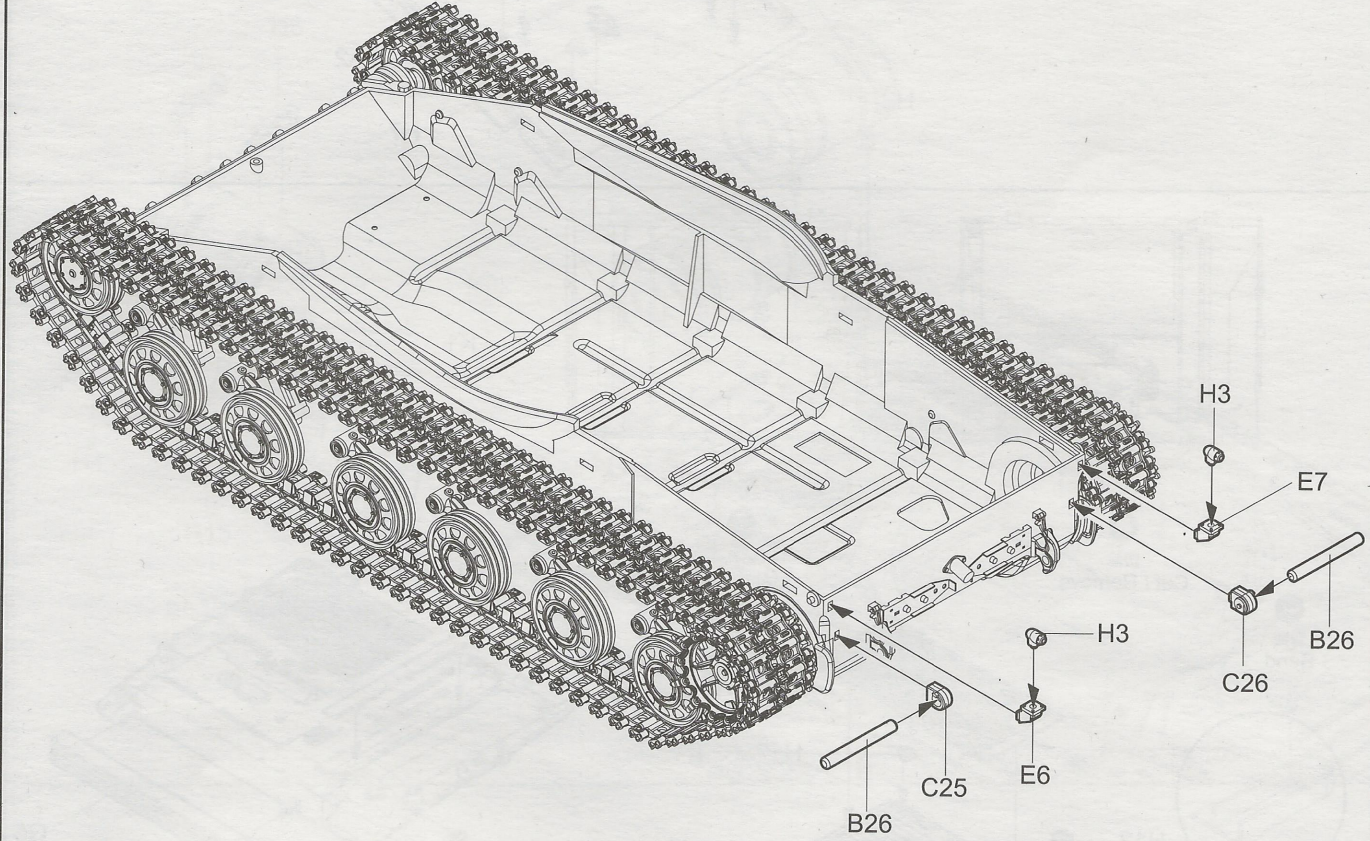
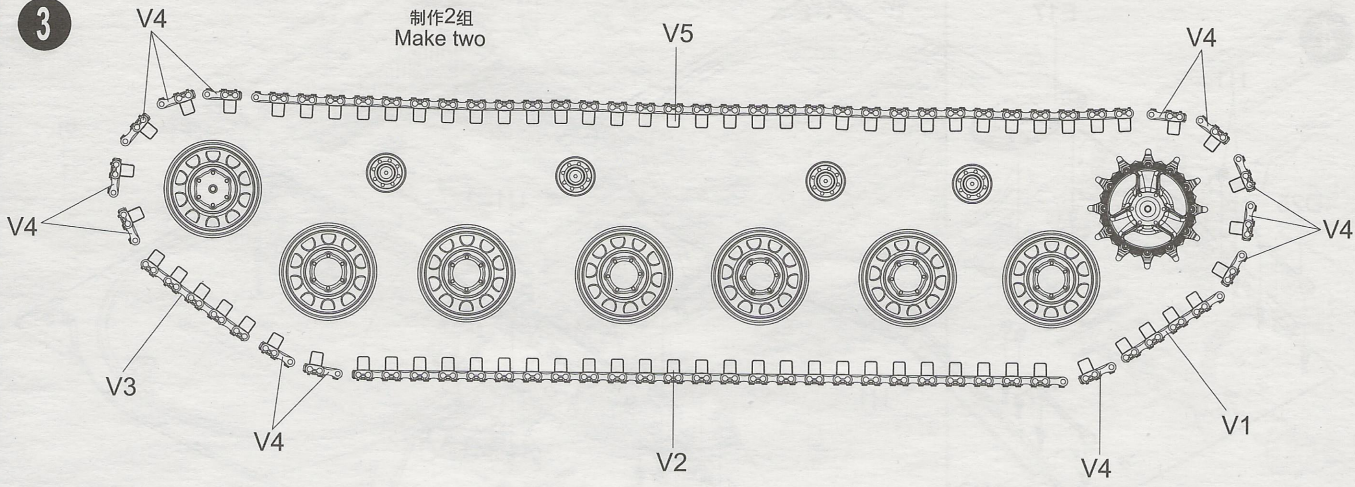


2

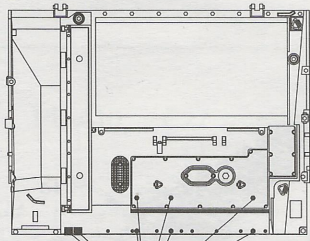
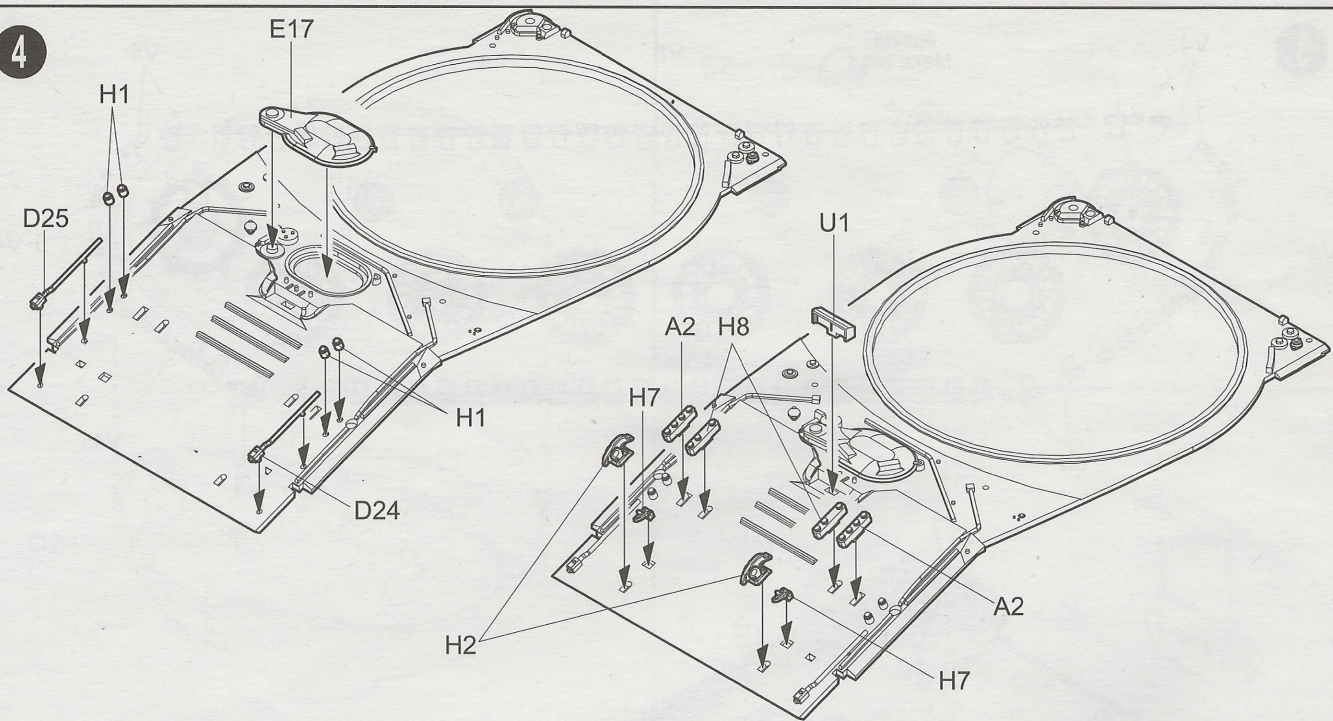


3

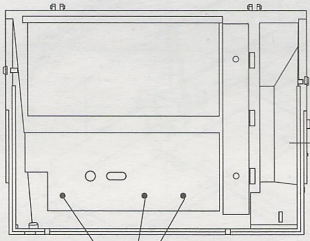
制作2组
Make two



4

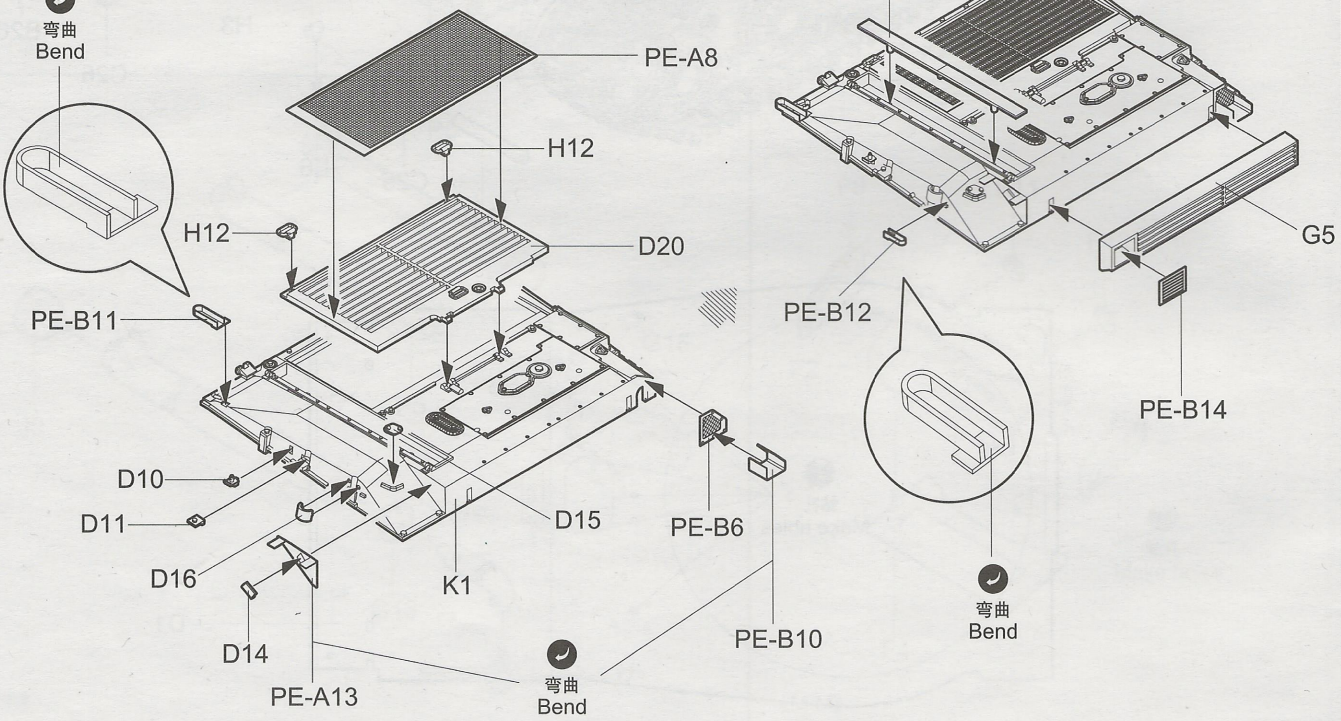
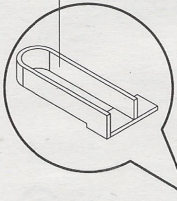


切除
Cut / Remove

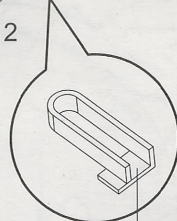


钻孔
Make hole

弯曲
Bend

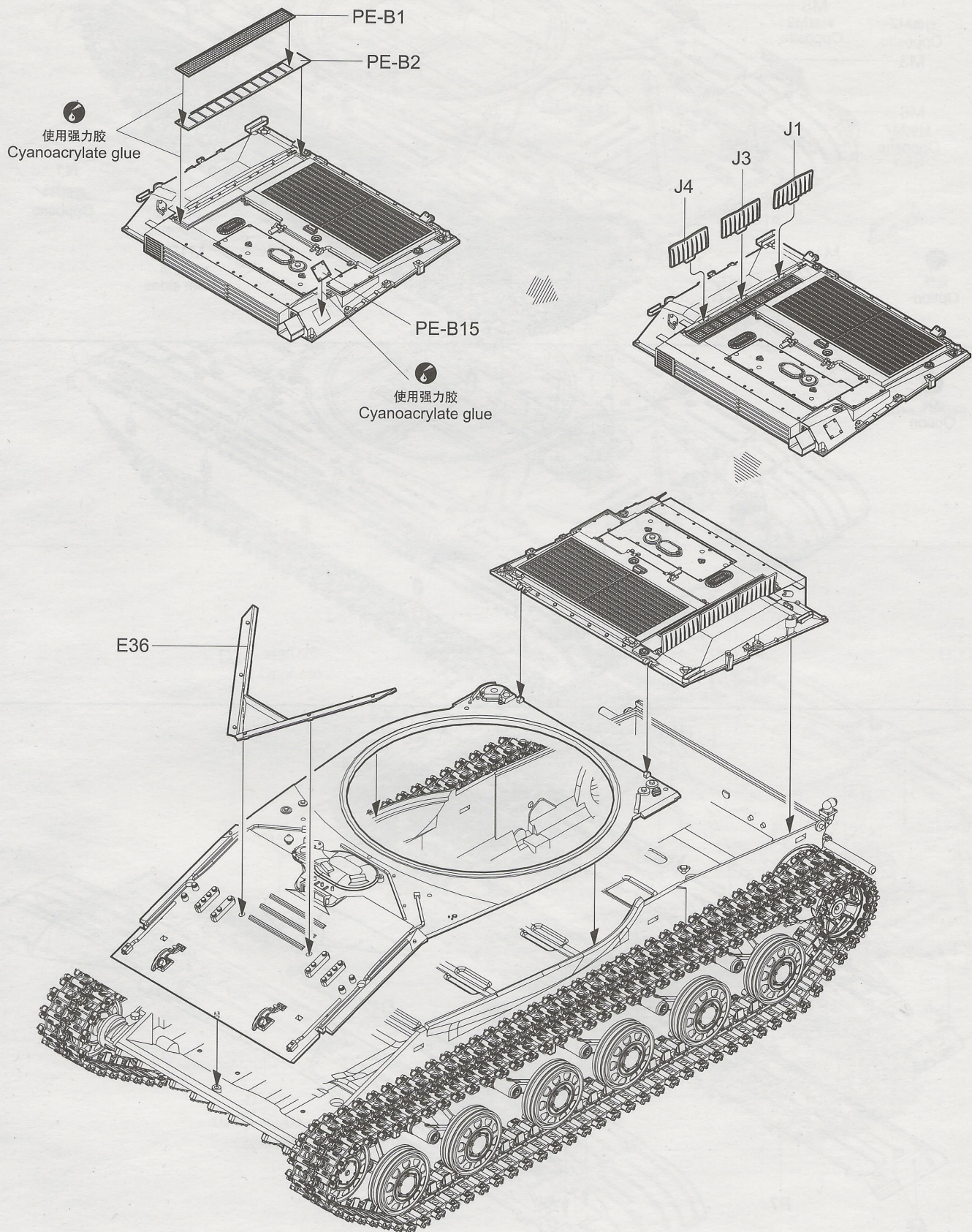


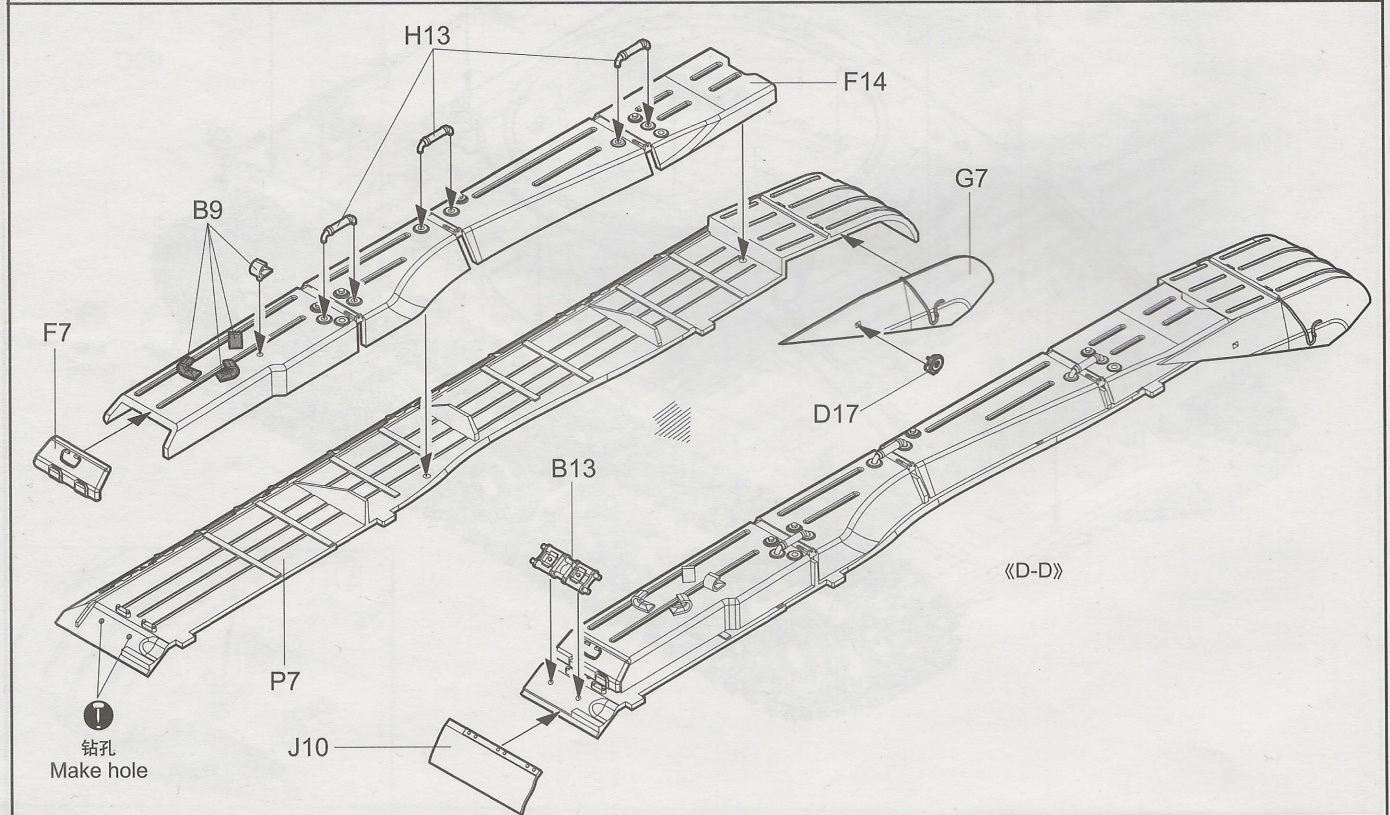
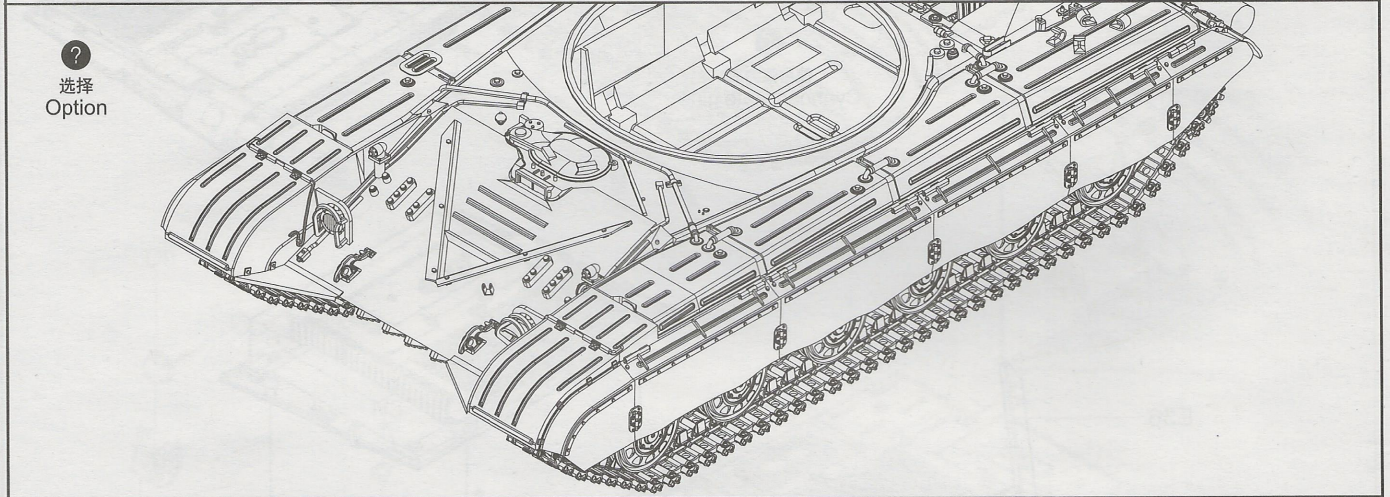
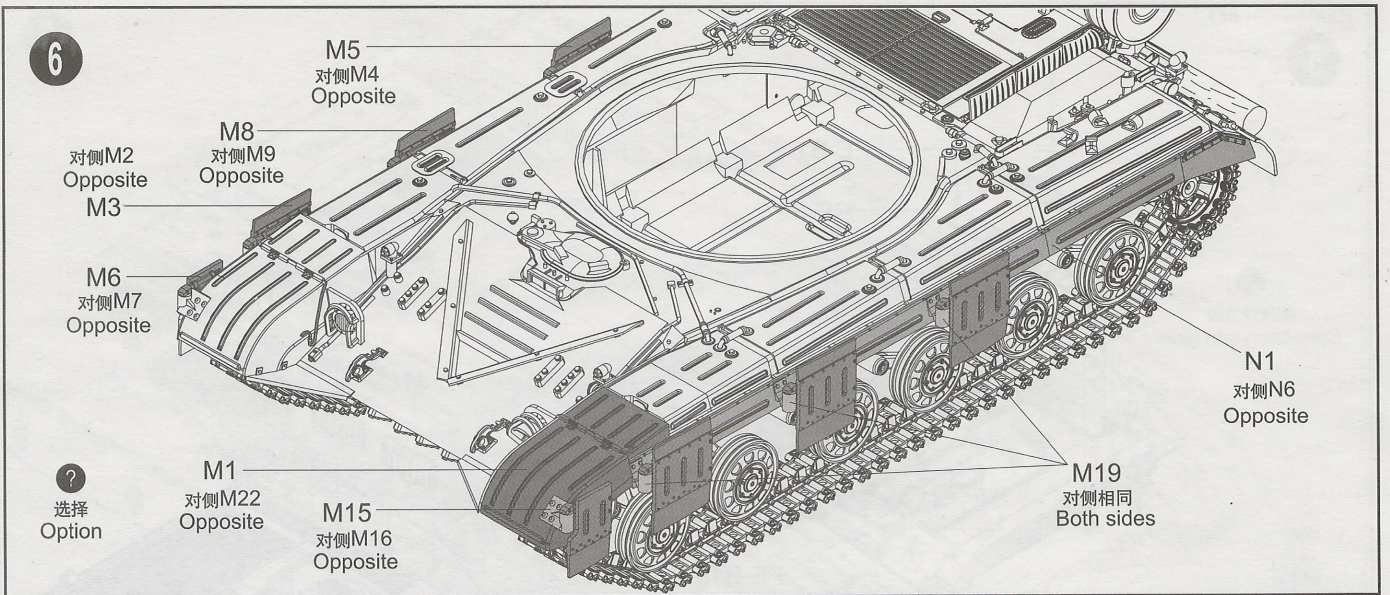
弯曲
Bend



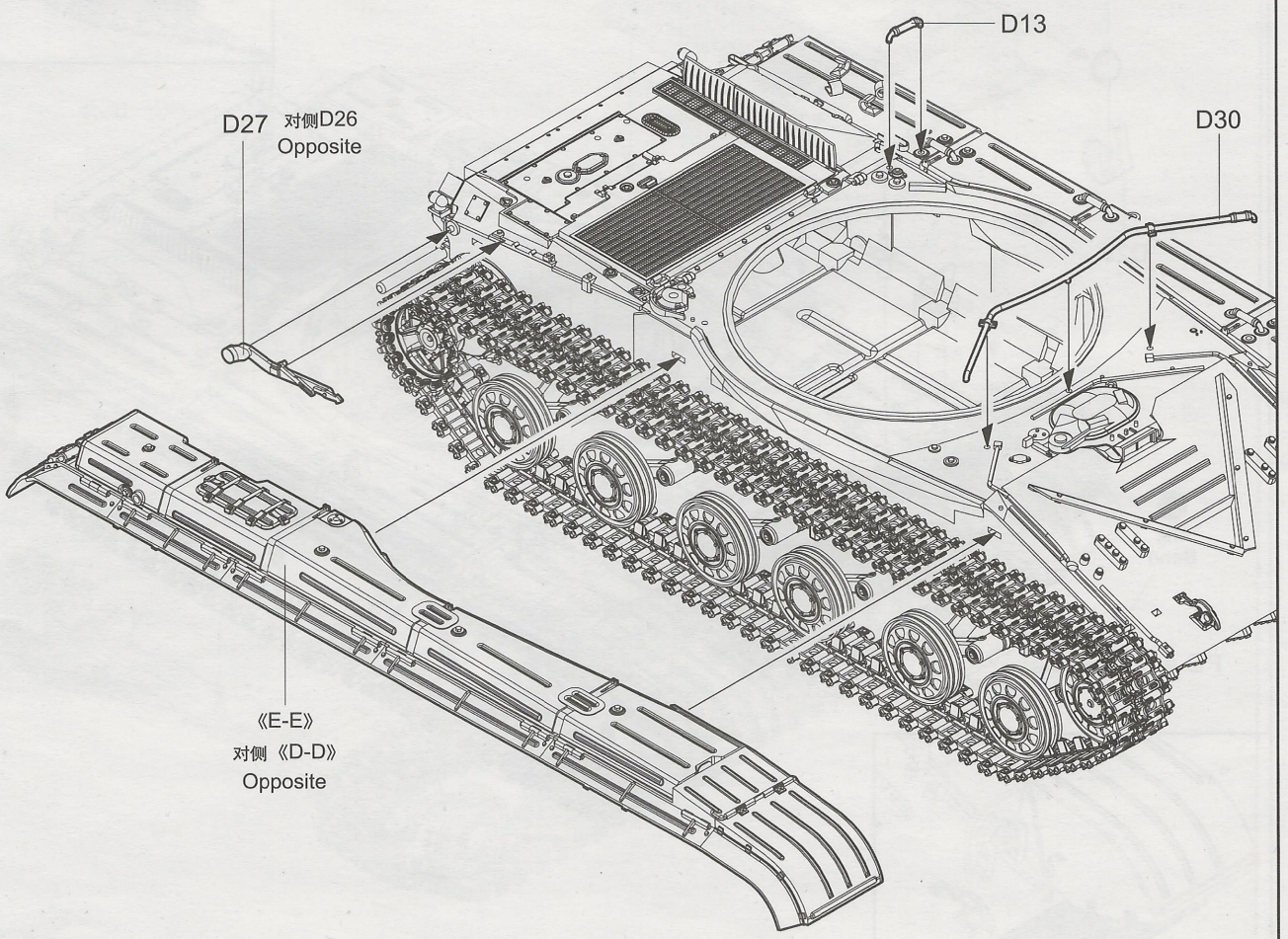
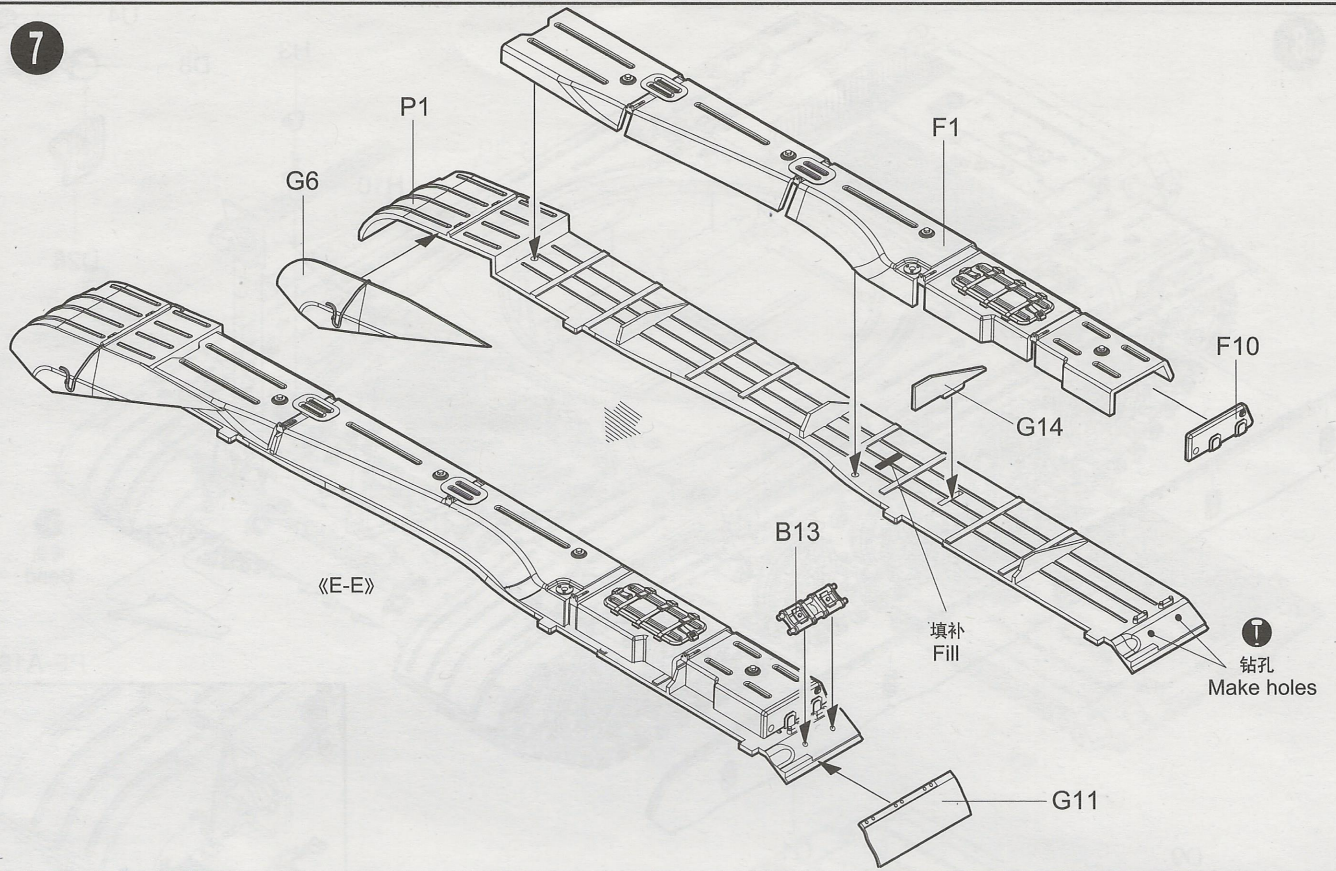
弯曲
Bend

5

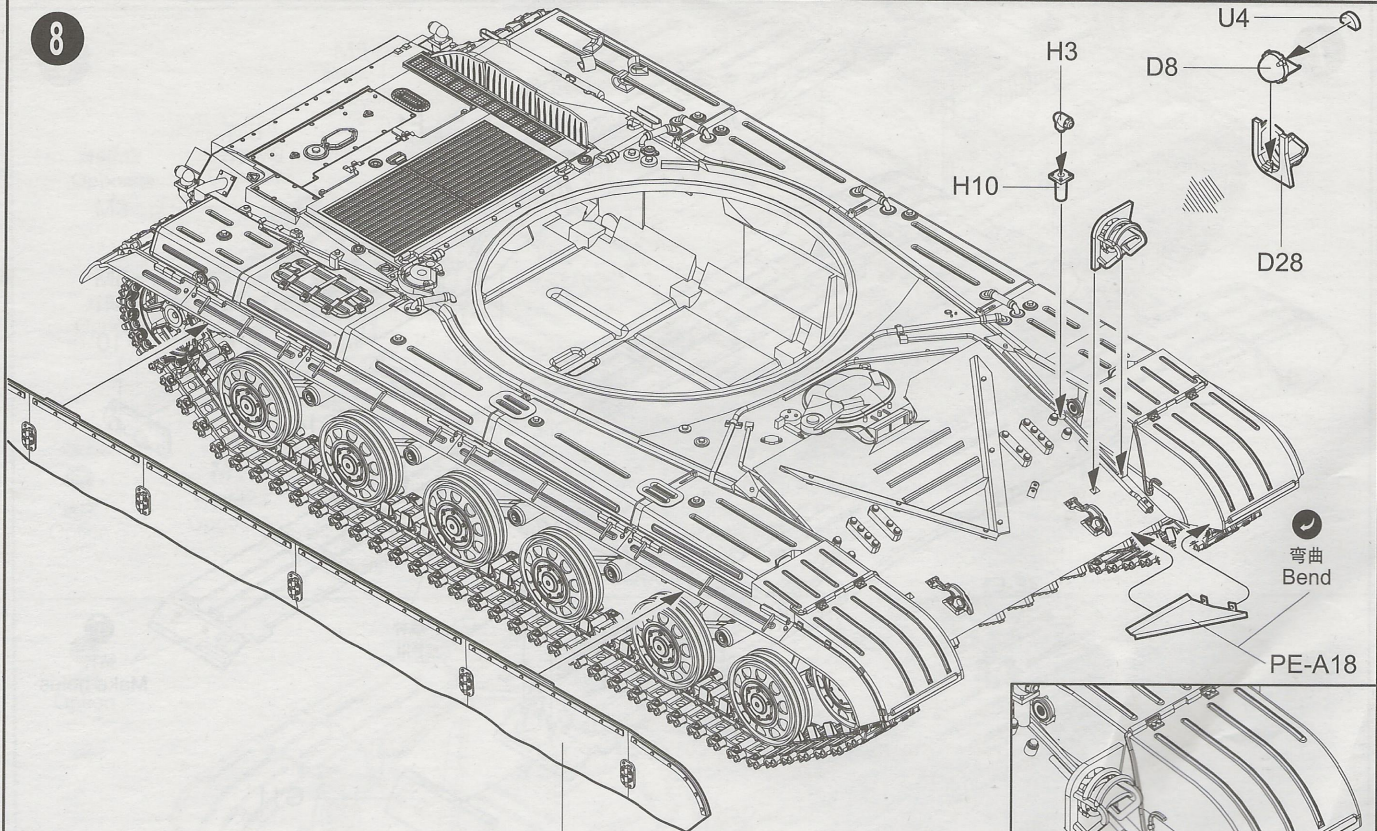




7

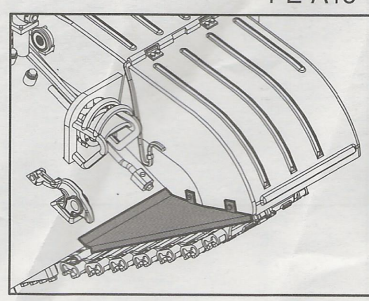


8



弯曲 Bend

PE-A18



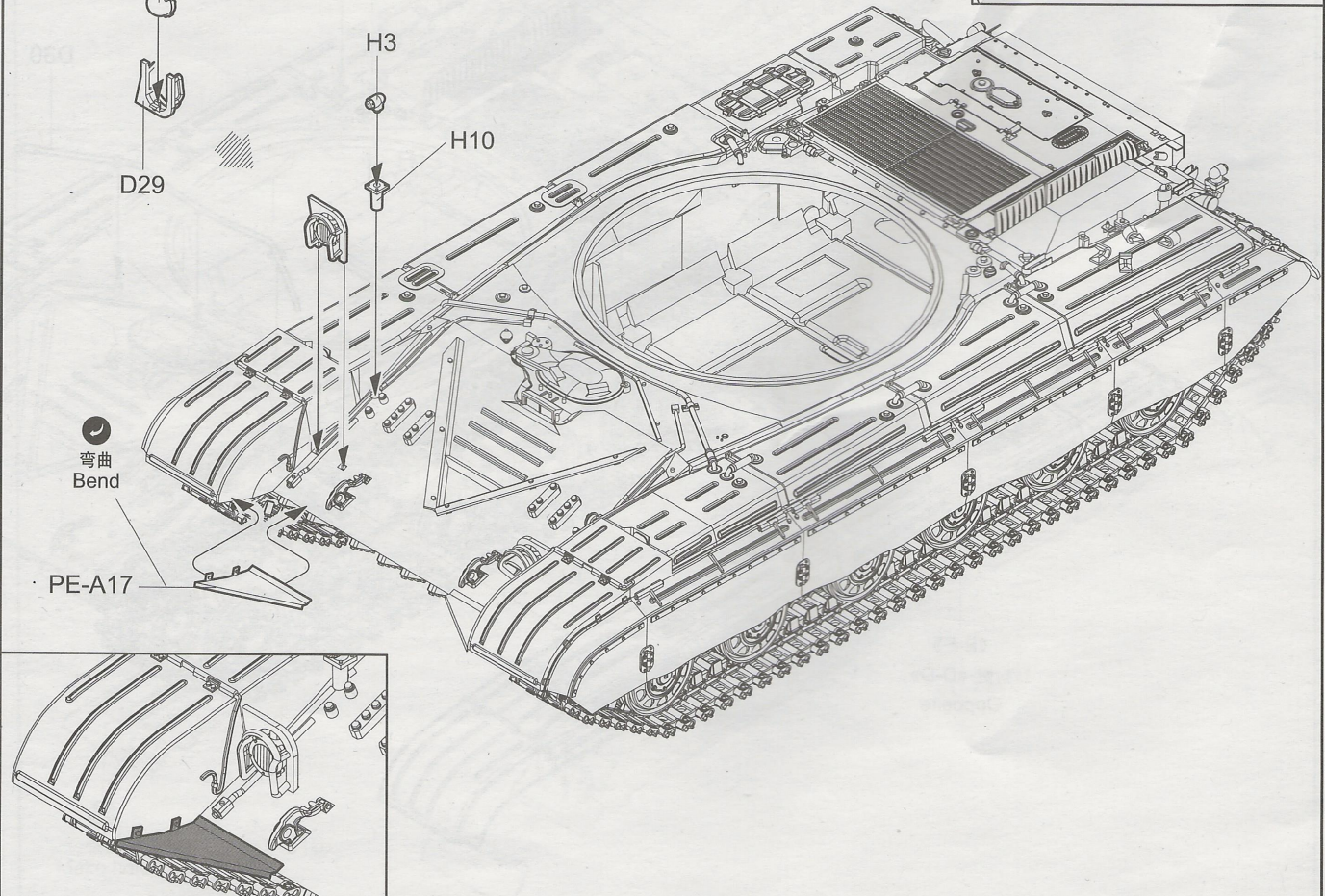
D9 U2

Q1
对侧Q2
Opposite

D29 H3 H10

弯曲 Bend

PE-A17

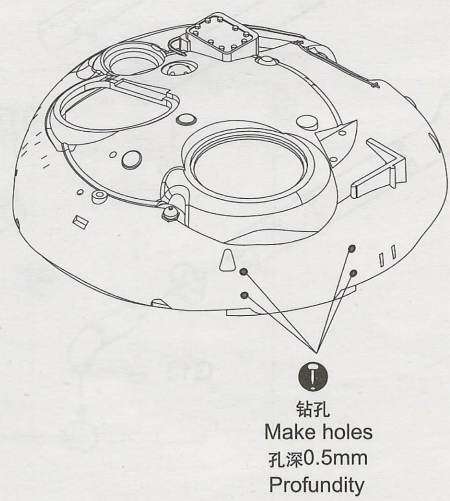
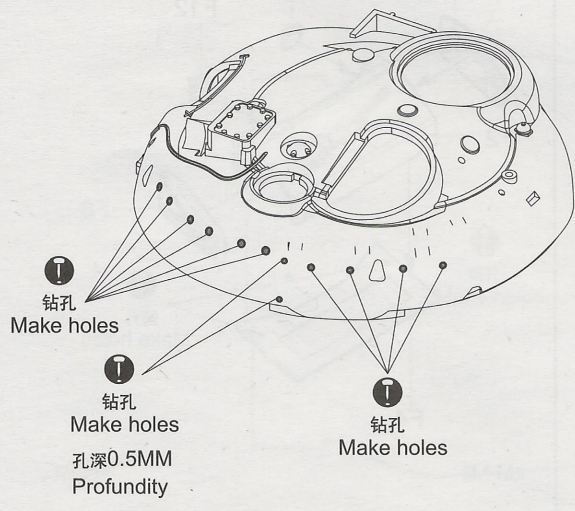
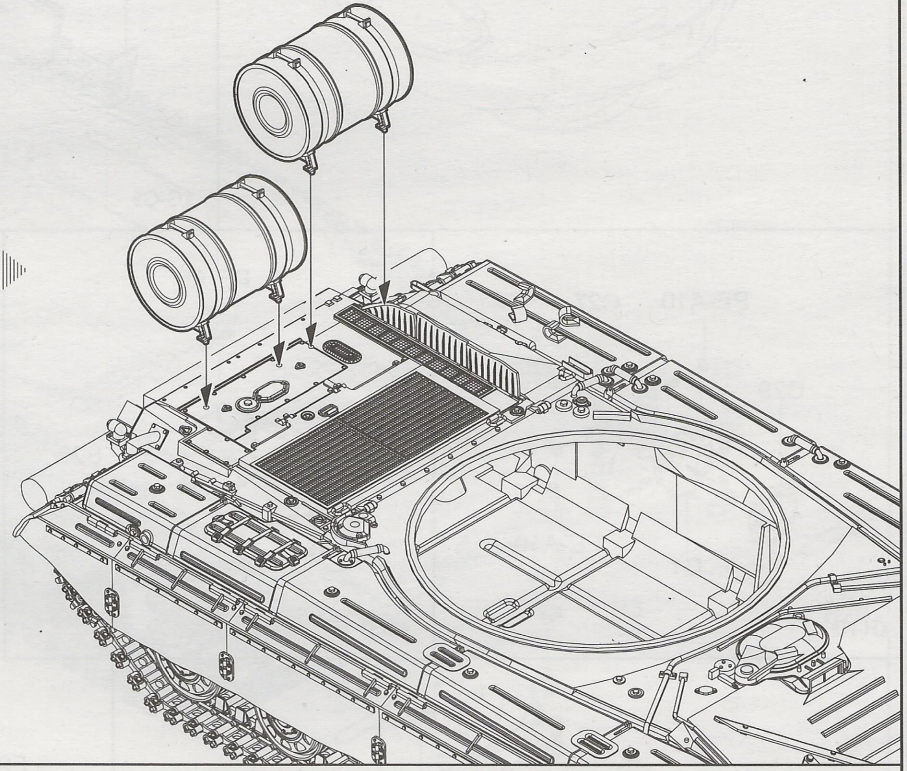
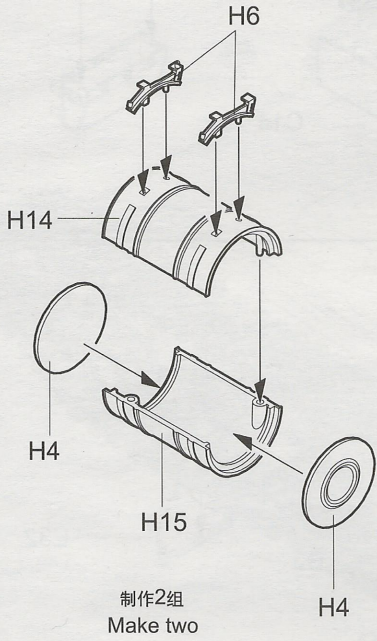
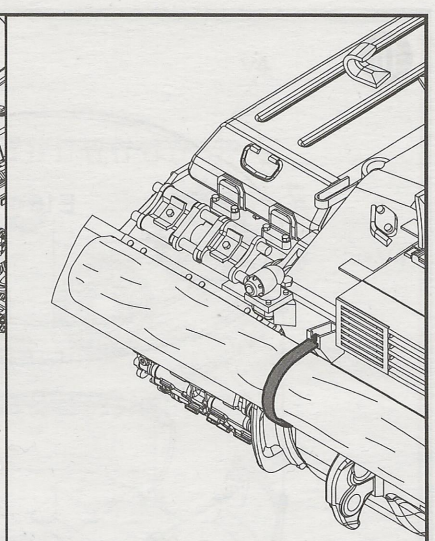
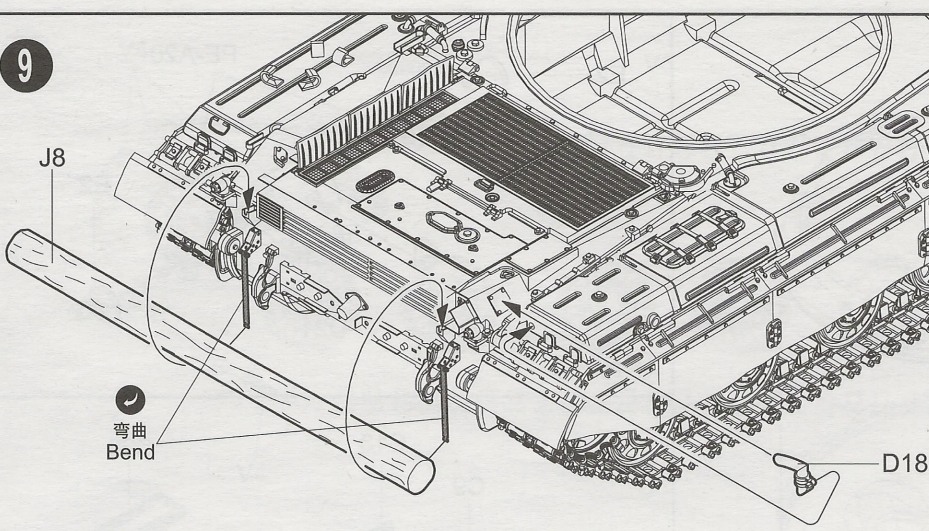


9

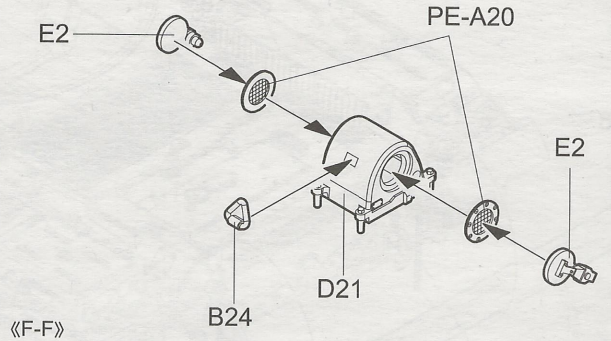
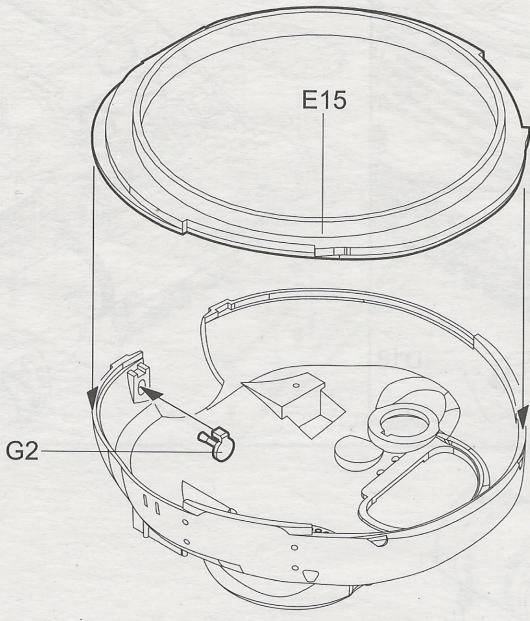
J8

弯曲
Bend

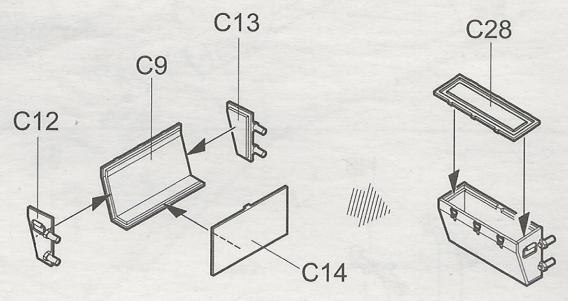
D18



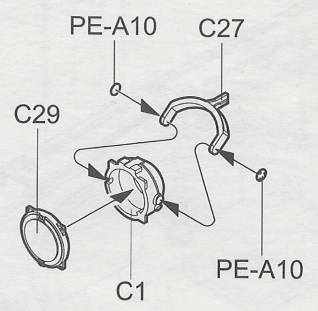
10



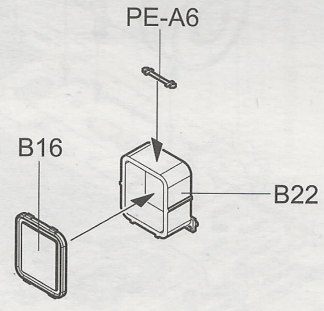
《F-F》



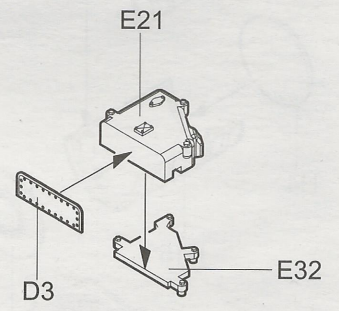
《G-G》



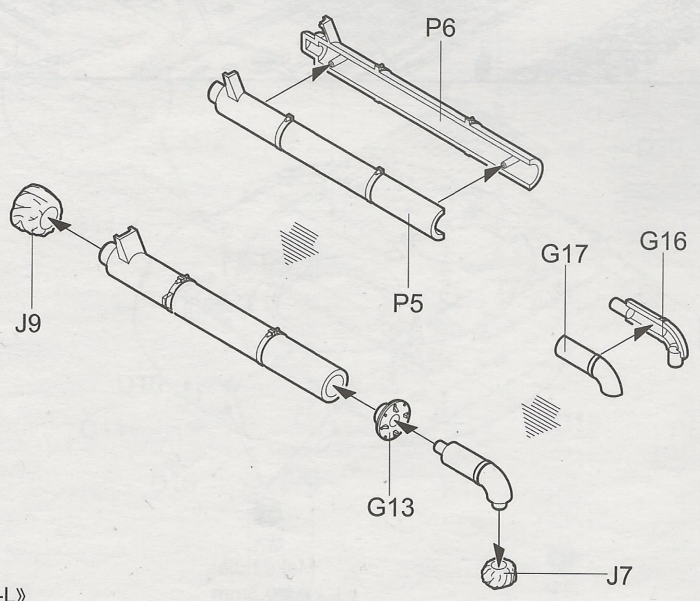
《H-H》



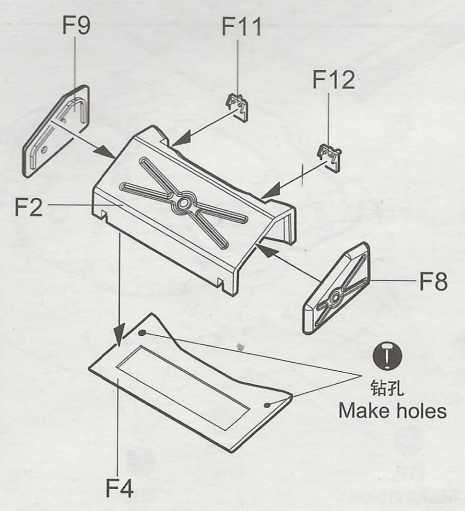
《J-J》
制作3组
Make three



《K-K》

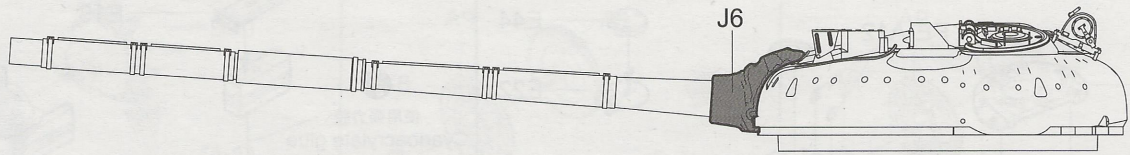


《L-L》

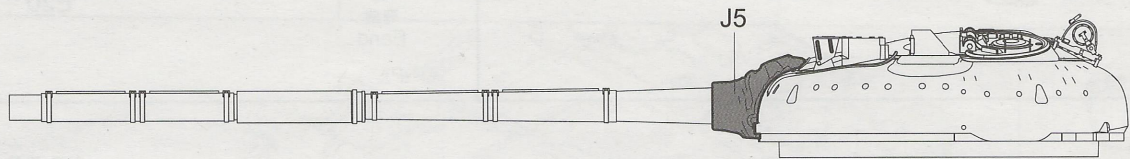


《M-M》

?
选择
Option

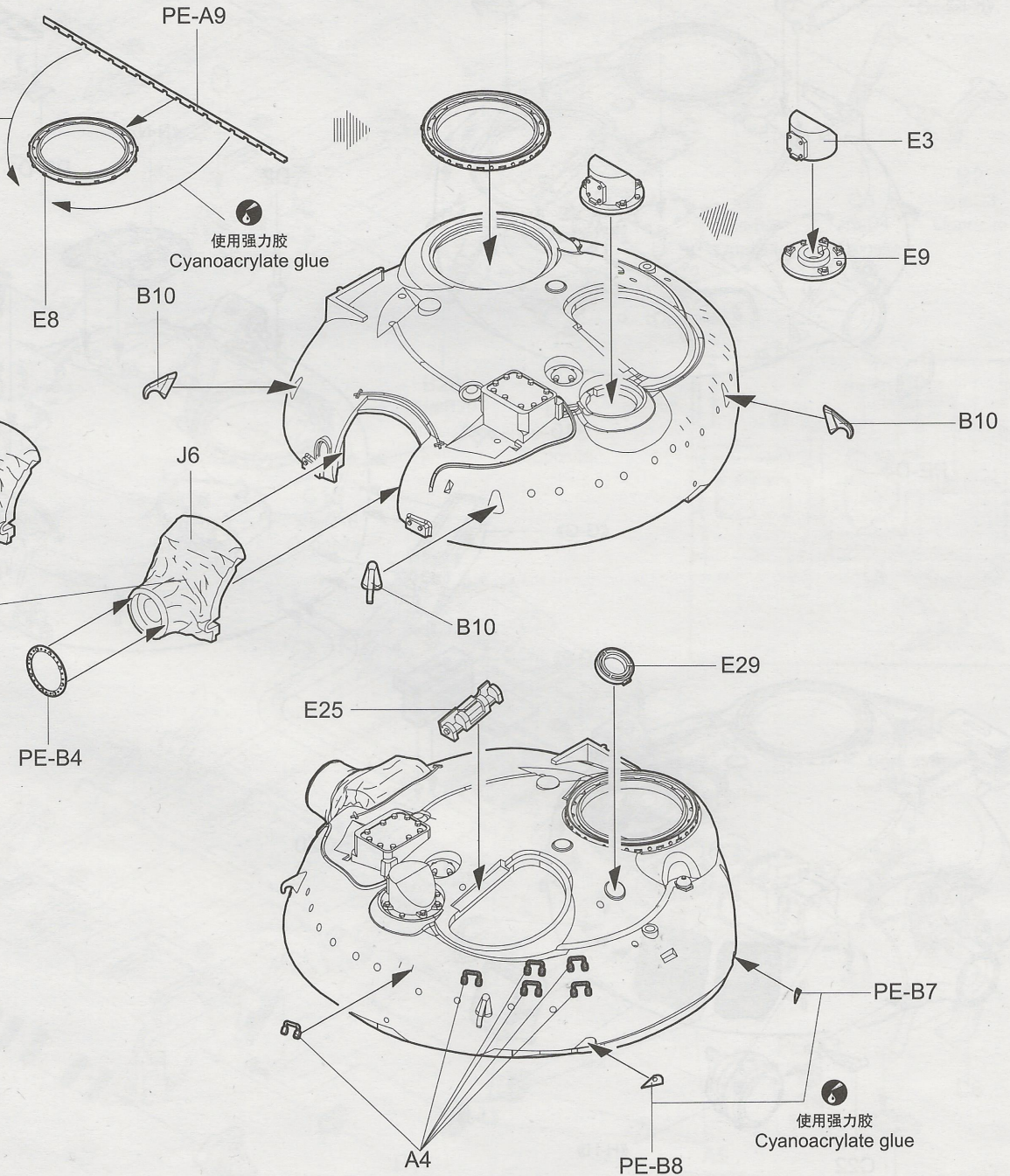


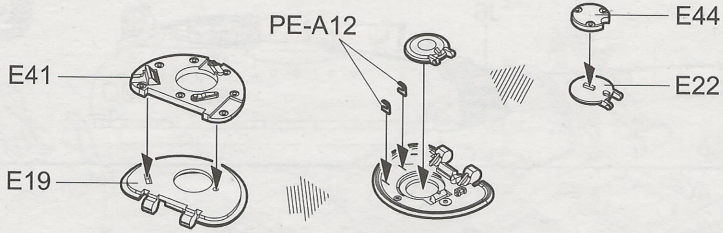
?
选择
Option



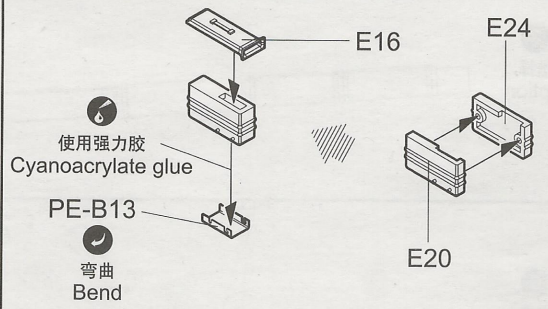
11

弯曲
Bend



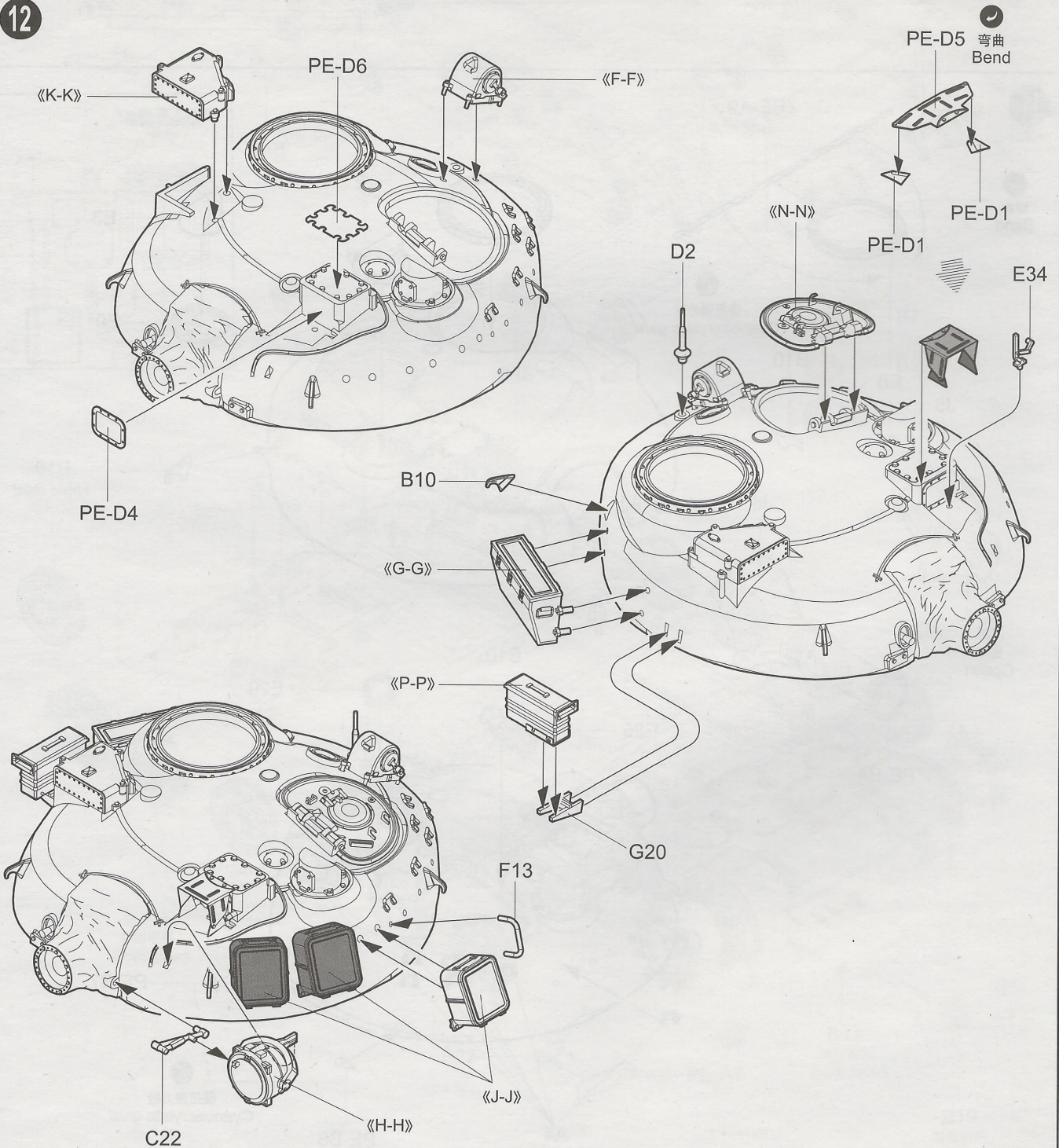


《N-N》

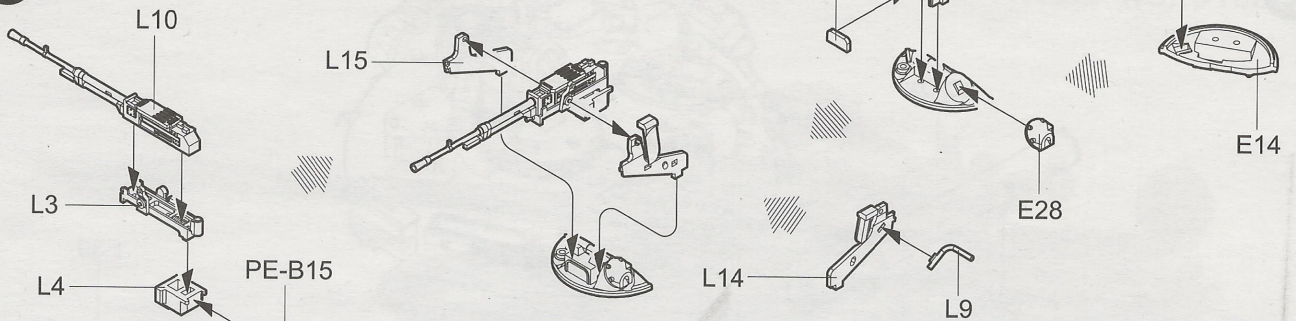


《P-P》

12



13



6
使用强力胶
Cyanoacrylate glue

弯曲
Bend

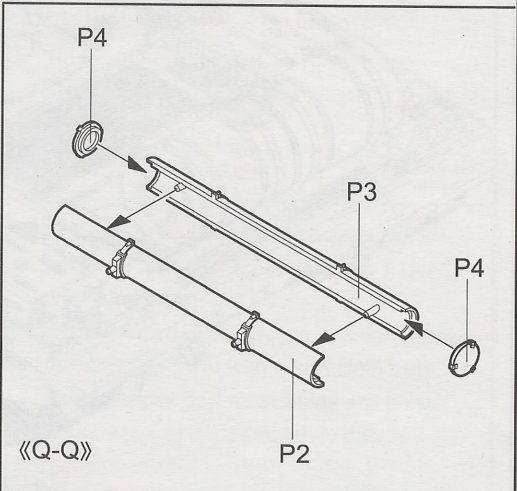
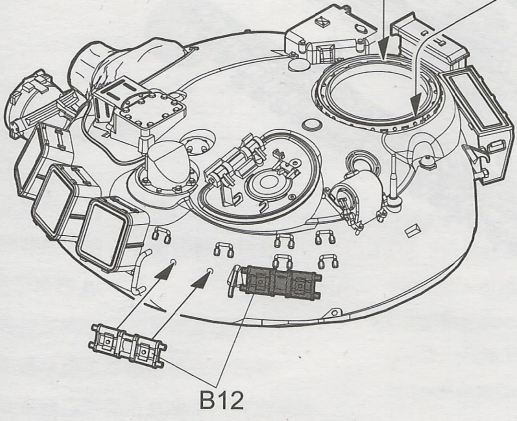
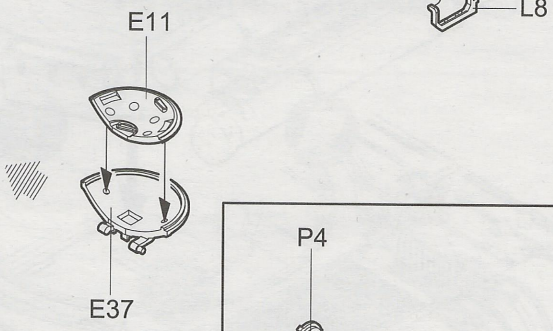
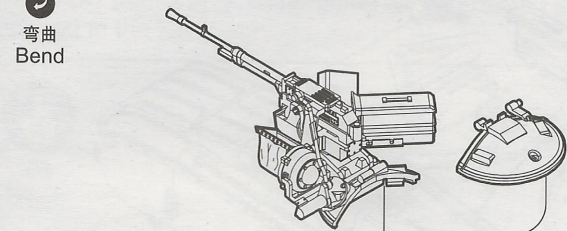
6
使用强力胶
Cyanoacrylate glue

6
使用强力胶
Cyanoacrylate glue

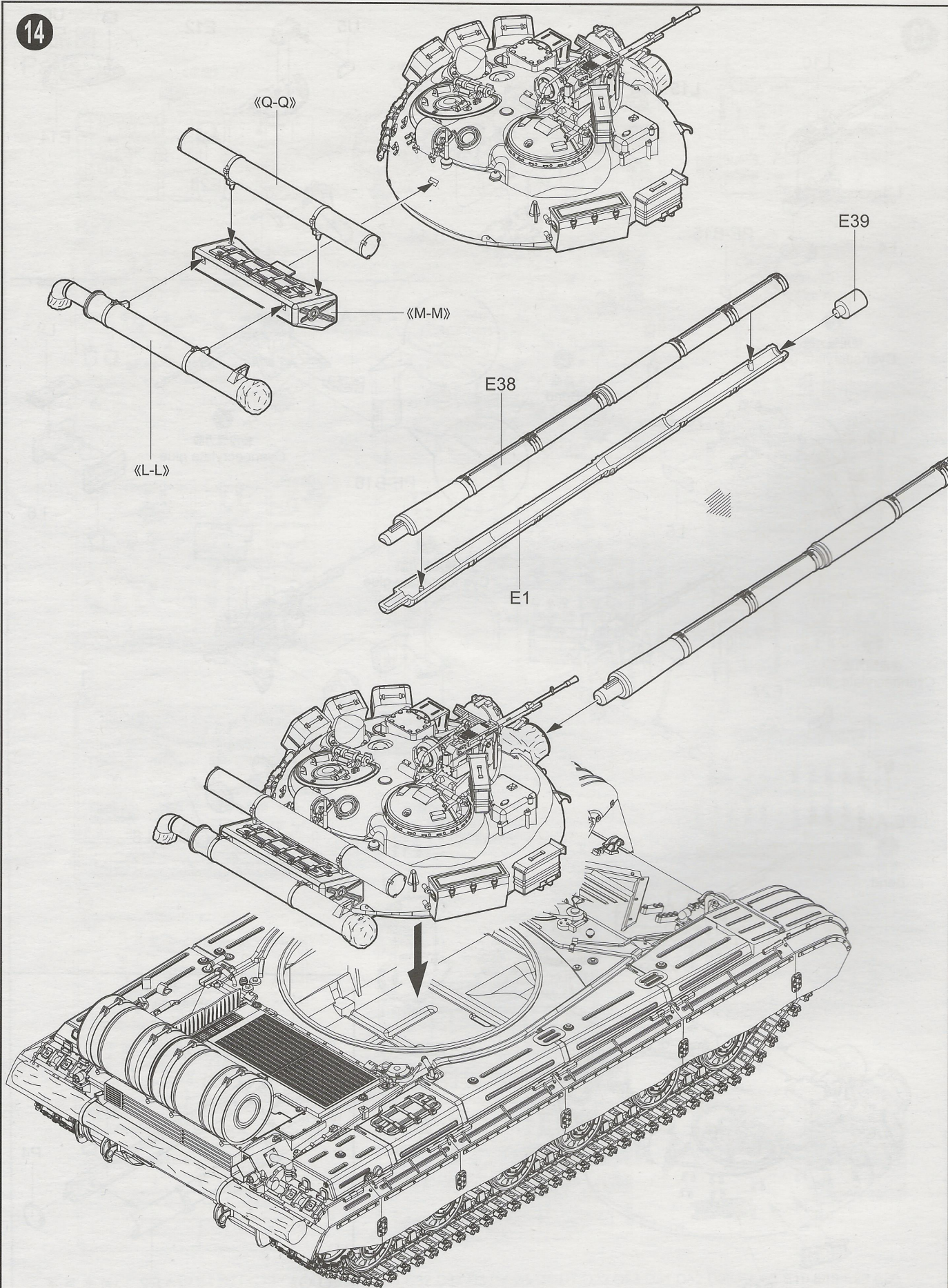
6
使用强力胶
Cyanoacrylate glue

6
弯曲
Bend

6
弯曲
Bend



《Q-Q》



涂装同标贴指示

Painting & Marking guide

Color	Mr.Hobby	Vallejo	Model Master	Tamiya	Humbrol
Metal Black 黑铁色	H18 28	864	1402	-	-
Tire Black 胎黑色	H77 137	-	-	-	-
Light Green 浅绿色	H303 303	-	1713	XF20	117
Wood Brown 木棕色	H37 43	983	1701	A22	186
Silver 银色	H8 8	997	1546	X11	11

