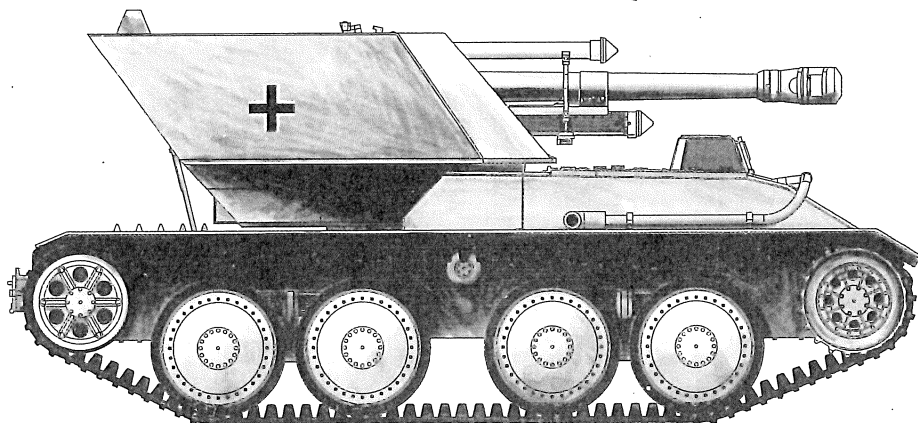


1:35 SCALE

ITEM NO.:01586

Krupp/Ardelt Waffentrager 105mm leFH-18

德国 leFH18 105mm自行榴弹炮



READ BEFORE ASSEMBLY:

- Study and understand these instructions thoroughly before beginning assembly
- When needed, remove photo-etch parts carefully using a modeling knife or photo etch sprue cutter, being careful not to damage or lose small parts.
- Take extra care in handling photo etch parts in order to avoid injury
- Apply instant cement sparingly to photo etch parts where instructed
- Tools recommended(not included in kit):Plastic and instant cements, sprue cutters,long nose pliers,modeling knife, small files, tweezers, pin vise & scissors. Soft cloth and sandpaper will also assist in construction
- Glue and paint are not included in the kit. Use plastic cement and hobby paints only. Color guide for purchasing paint is included in the kit.

装配之前仔细阅读

- 小心用模型锉刀锉平所有零件表面的注射浇口。
- 小心用刀片切下蚀刻片零件，不要遗失小零件。
- 用强力快干胶水粘合蚀刻片零件和金属轴。过量快干胶水使用可能导致可动零件会粘住，小心涂胶。
- 取蚀刻片时应特别注意安全，防止利边划伤手指。
- 某些零件表面需贴上水贴纸，请选择在装配的同时进行。
- 推荐模型工具(自备)：胶水，水口剪刀，长咀钳，刀片，锉刀，镊子，钳，钻，剪刀，瞬间快干胶。
- 软布同砂纸同时也应该是必备工具。
- 请使用塑料胶水和油漆，模型内不含。



配重
Weight



使用强力胶
Cyanoacrylate glue



钻孔
Make hole



切除
Cut / Remove



贴纸
Decal



锉平
File / Sand



选择
Option



不涂胶水
No cement



弯曲
Bend

水贴纸的使用:

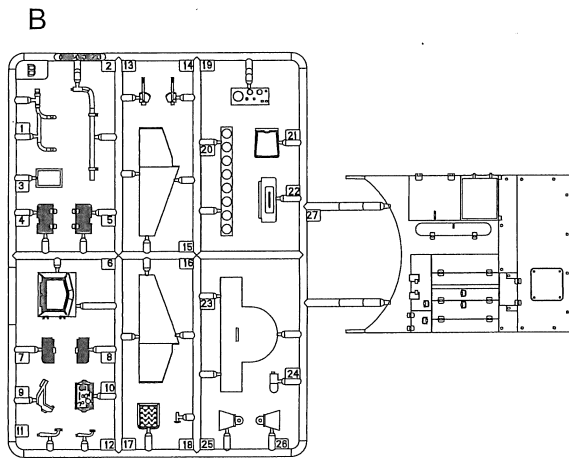
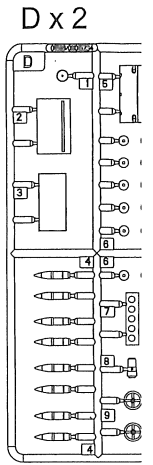
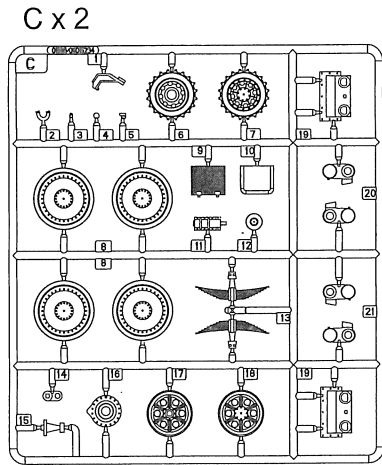
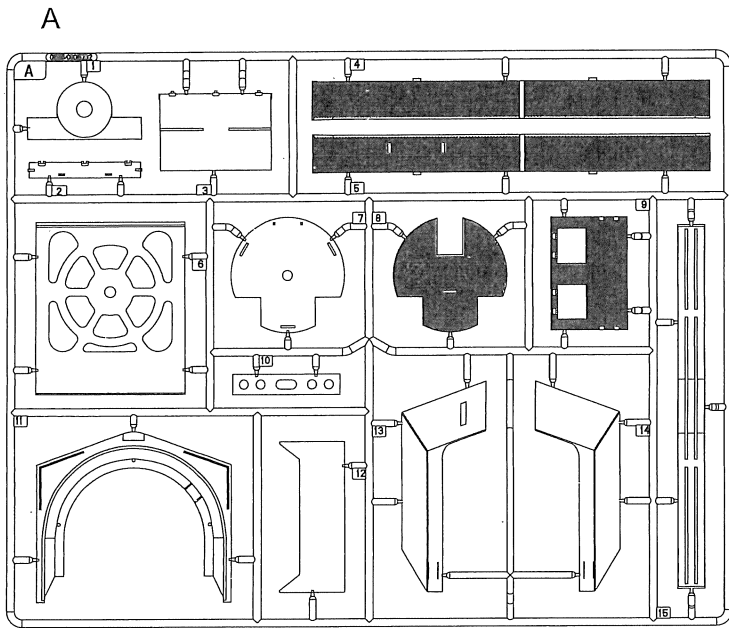
- 1.从水贴纸上剪下印花;
- 2.将印花放入温水中浸10秒, 然后放在干净布上。
- 3.拿着印花纸板将印花移到模型上;
- 4.手指蘸水将印花移到适当的位置;
- 5.用软布轻压印花直至水干, 气泡消失

DECAL APPLICATION

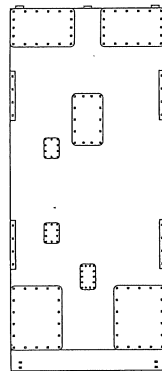
- 1.Cut decals from sheet as needed
- 2.Dip the decal in warm water for about 10 seconds and then place on soft clean cloth.
- 3.Hold the decal backing sheet edge and gently slide the decal onto the model in its proper position.

- 4.While still wet,decal can be adjusted for better fit on model by dampening it gently with your finger.
- 5.When placed in the proper position,gently press decal down with a soft cloth until excess water and air bubbles are gone.
- 6.Allow decal to dry completely before handling model

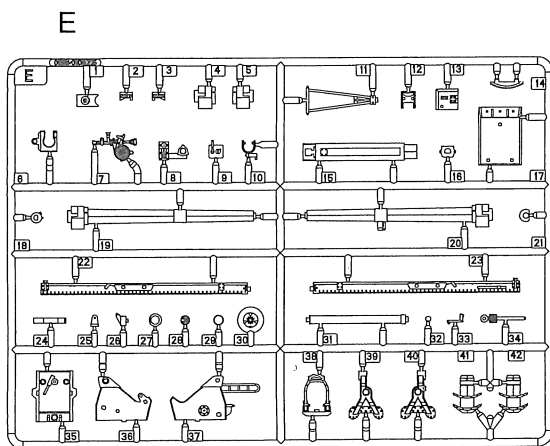
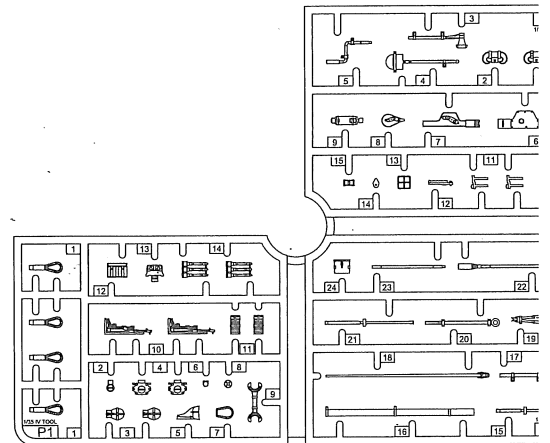
部品图
Parts



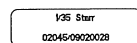
<<车底>>
Lower hull



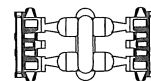
N、P1、P2



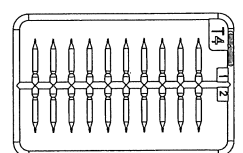
<<固定板>>
Board



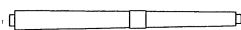
T x 120



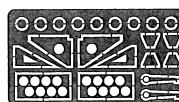
T4 x 24



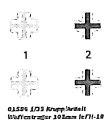
<<金属炮管>>
Metal barrel



<<蚀刻片>>
Photo etched



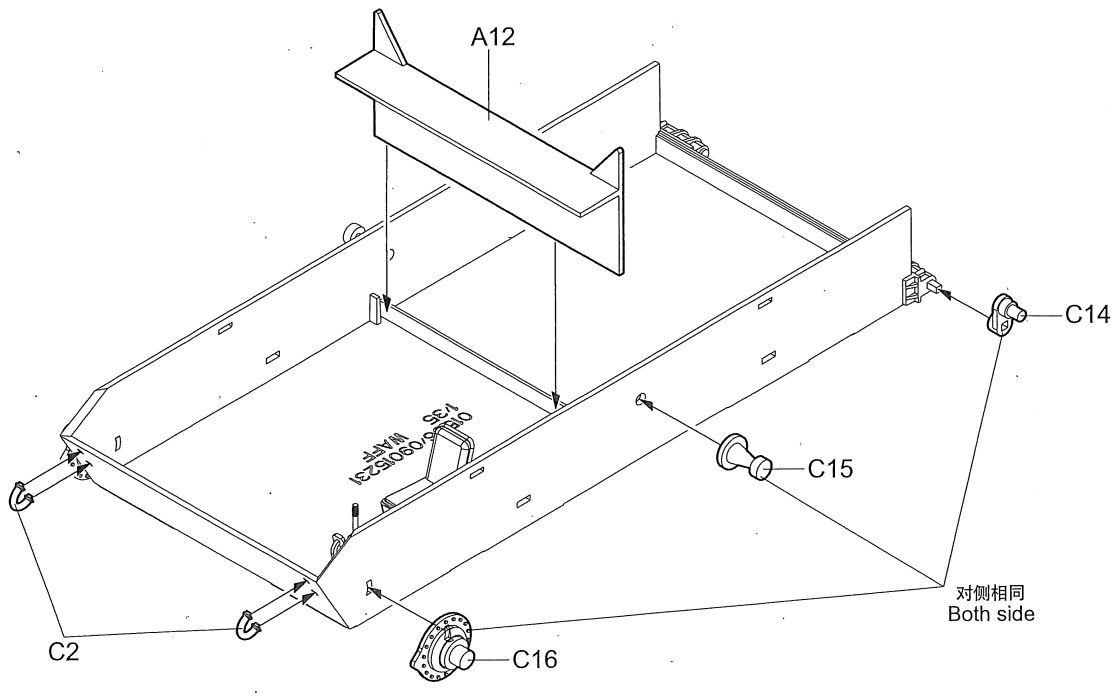
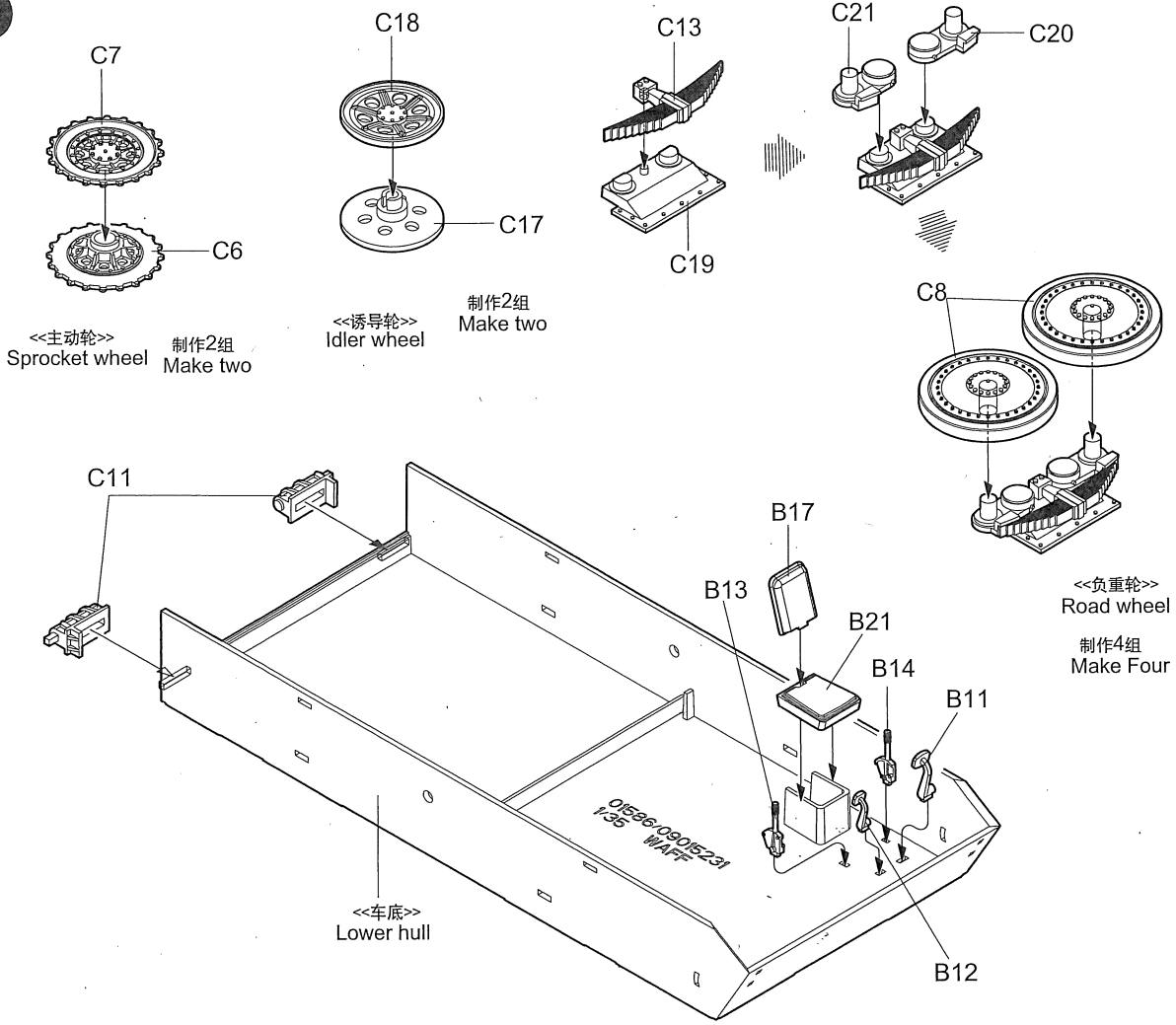
<<水贴>>
Decal



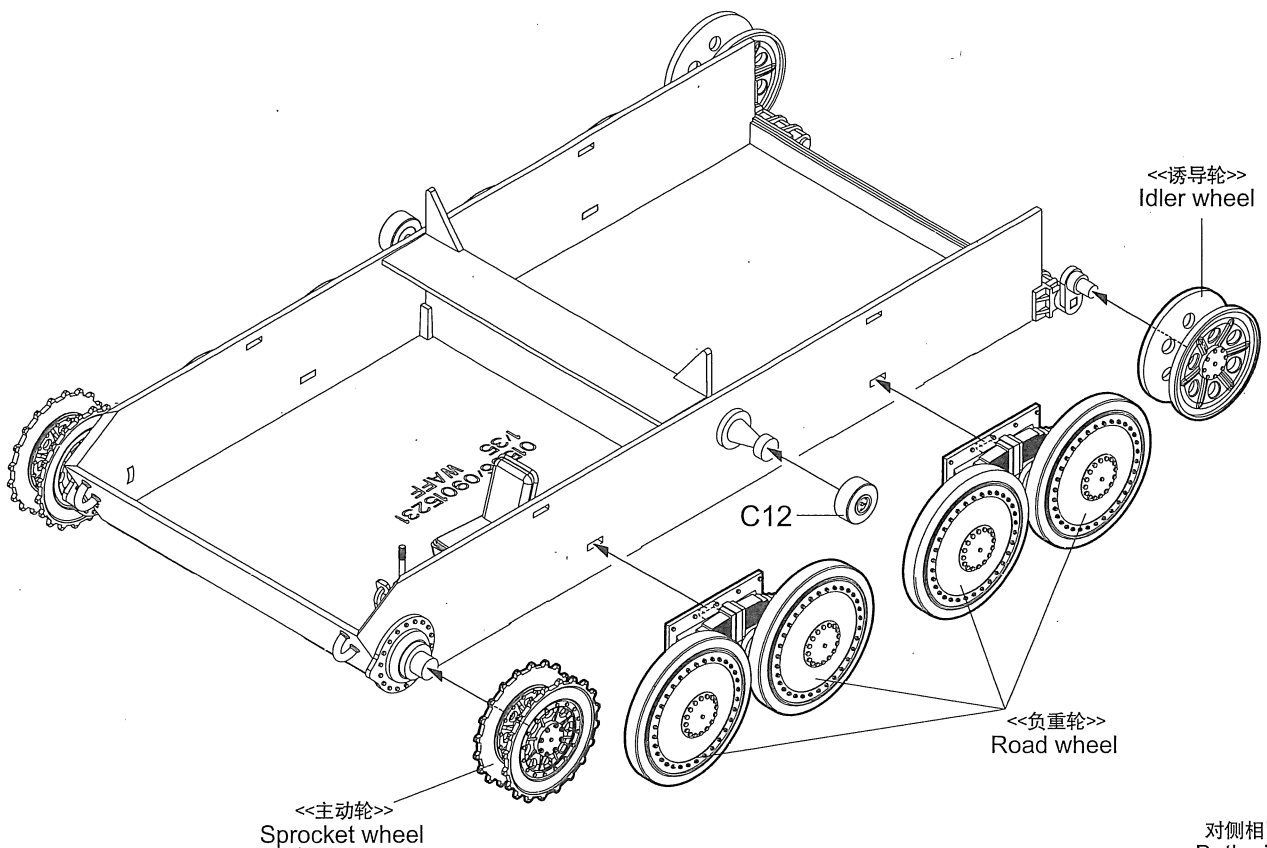
不用部件:
Unused parts

N1,N2,N4,N5,N6,N7,N8,N9,N10,N11,N12,N13,N14,P1,P2,P4,P5,P6,P7,P8,P3x1,P10x1,P11x1,P14x1,P5,P17,P18,P19,P20,P21,P22,I

1



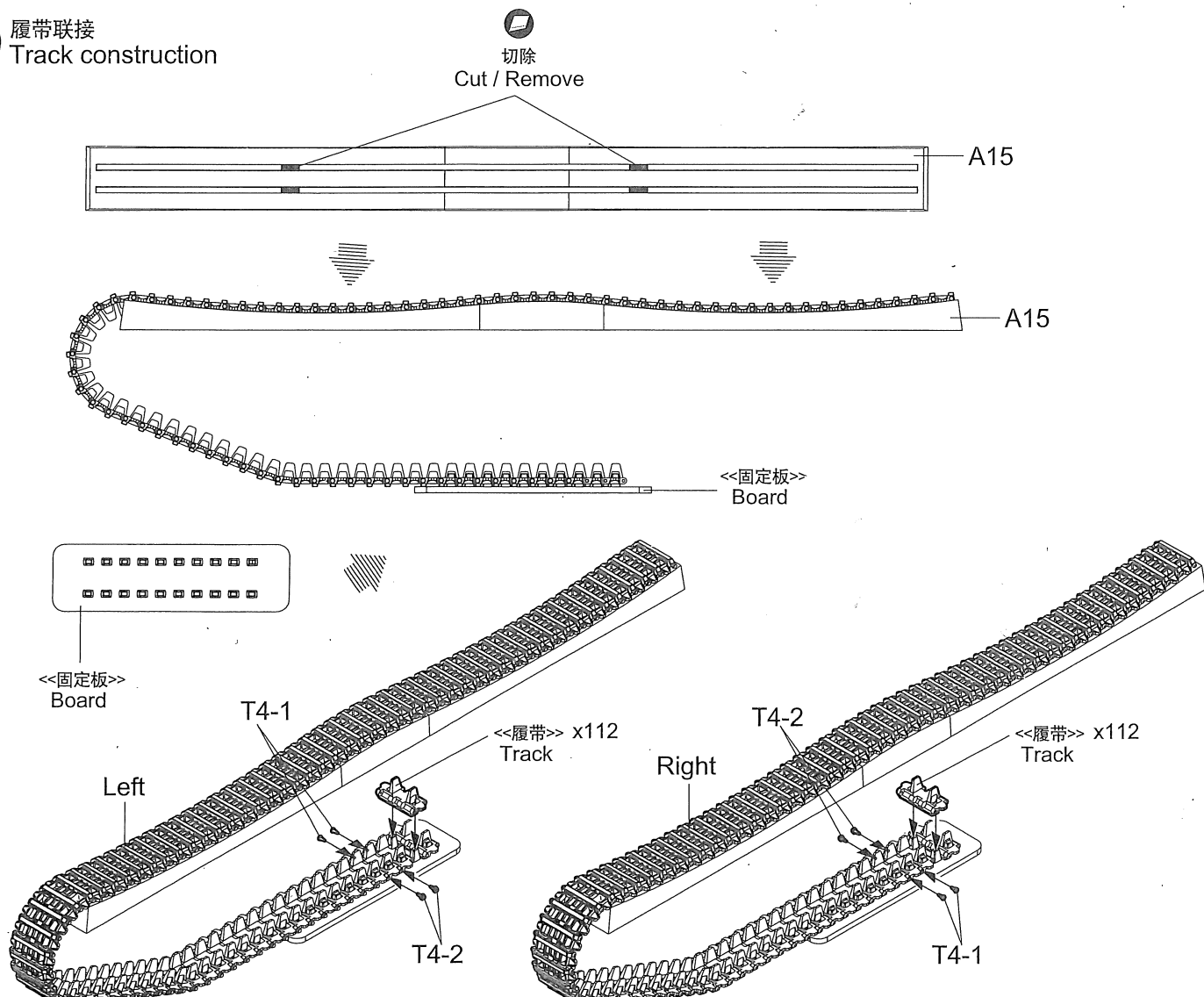
2



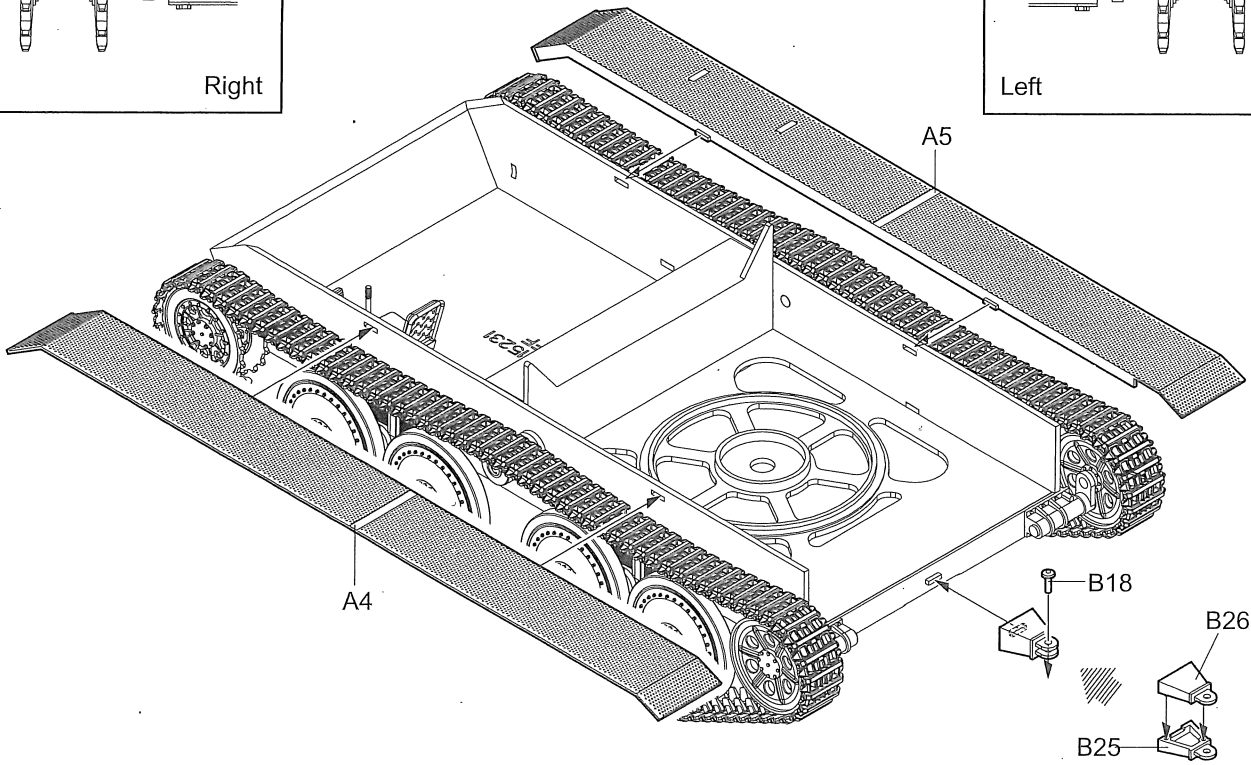
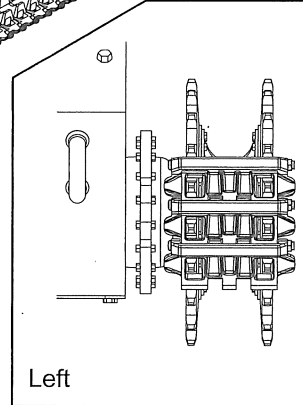
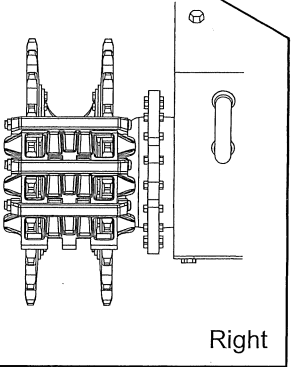
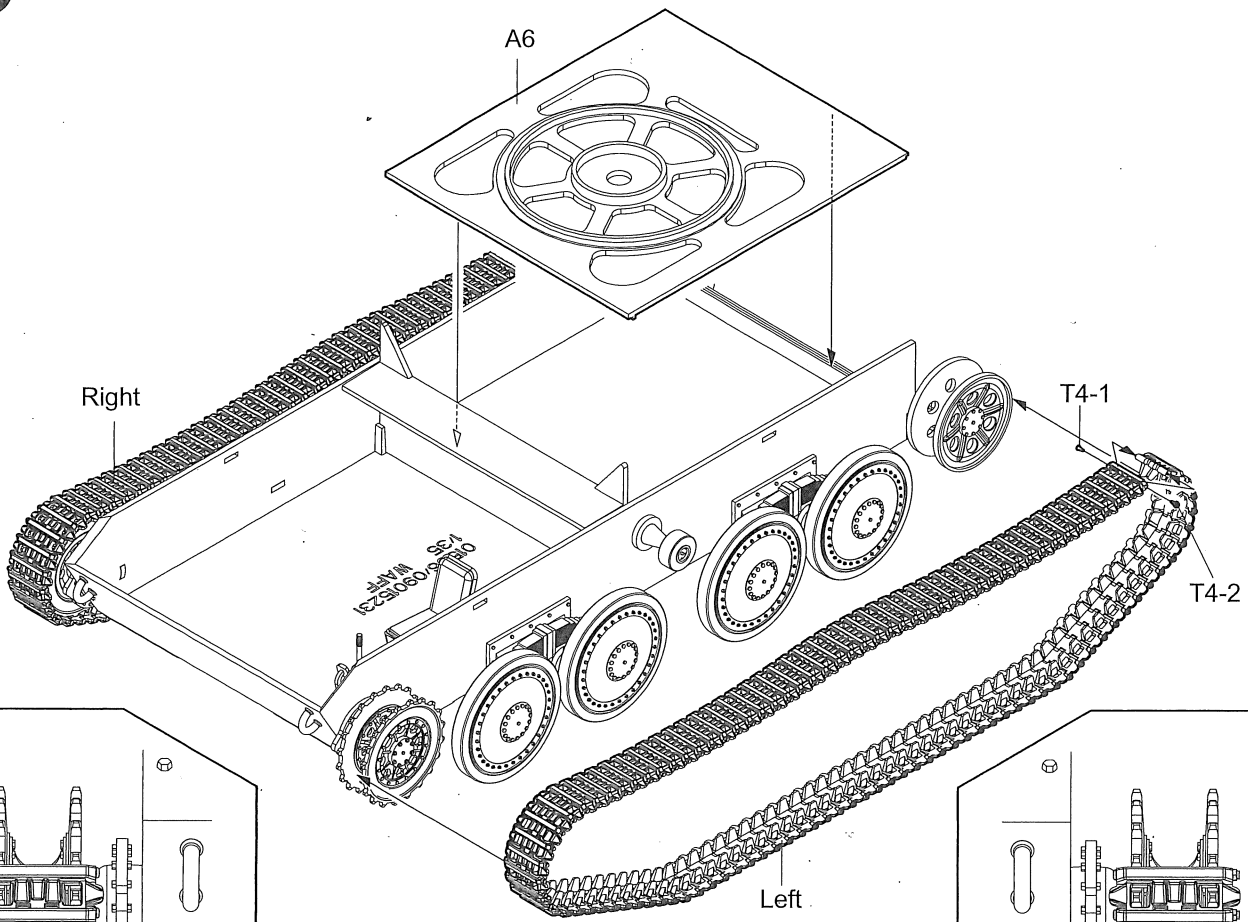
3

履带联接
Track construction

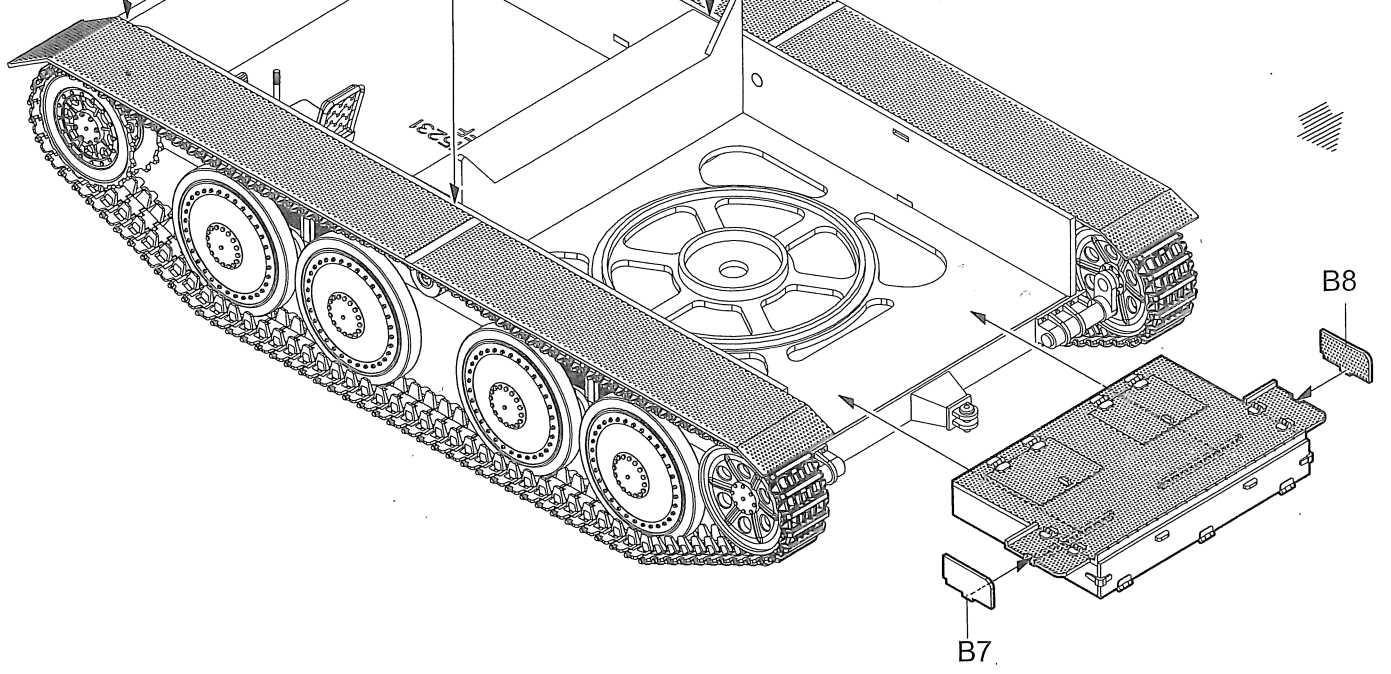
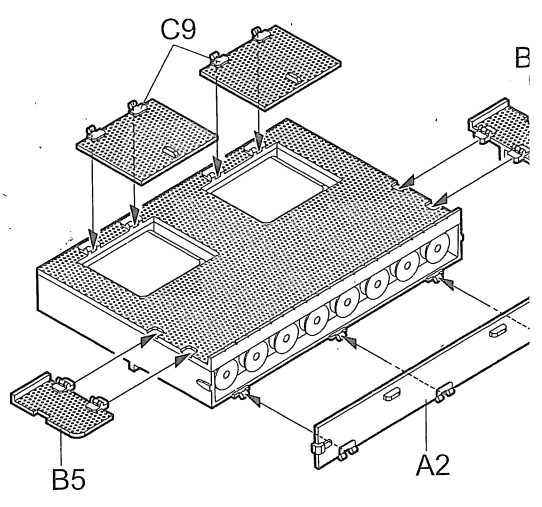
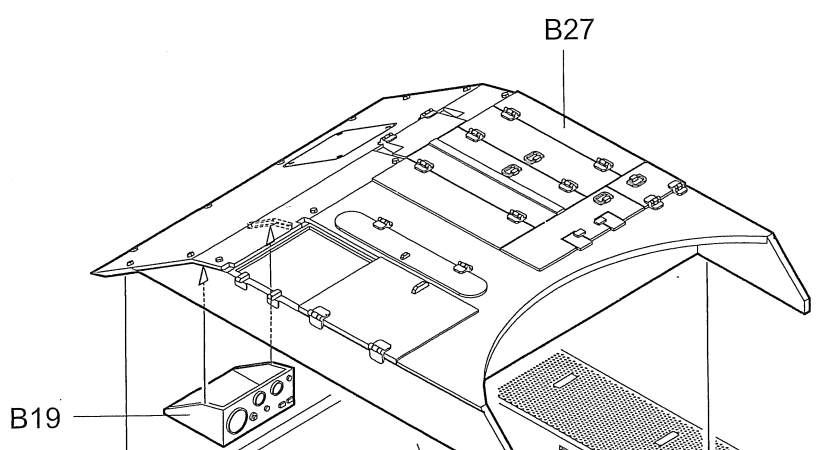
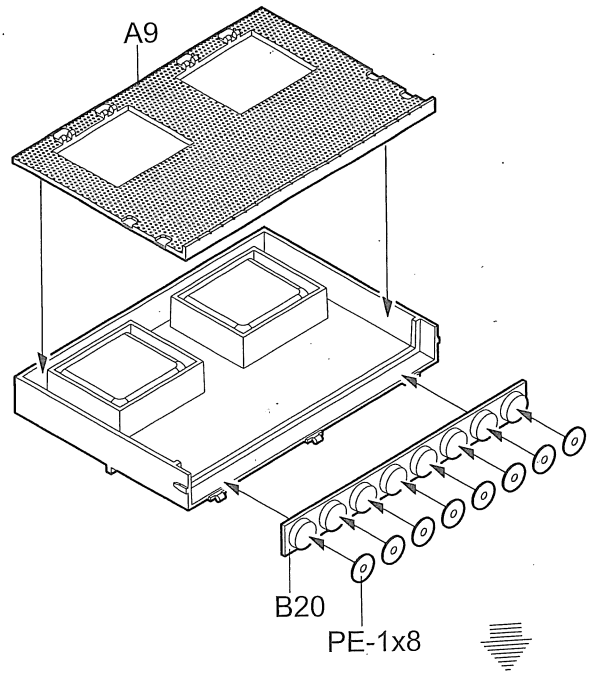
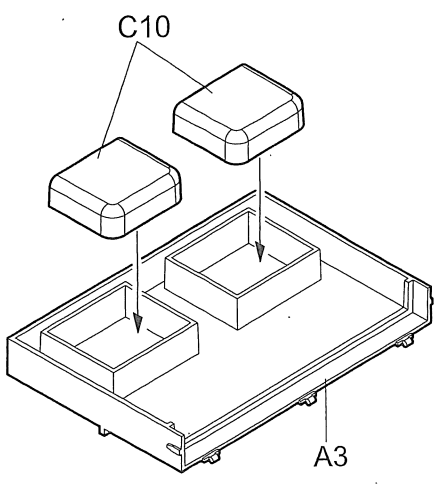
切除
Cut / Remove



4



5



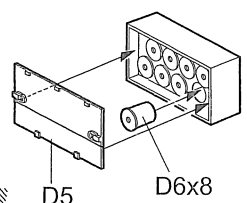
6

弯曲
Bend
PE-3

PE-2
弯曲
Bend
B24

B2

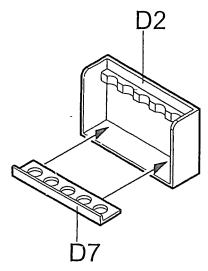
B1



D5

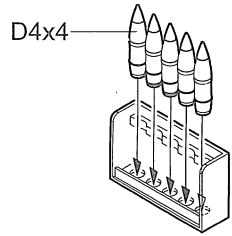
D6x8

制作2组
Make two



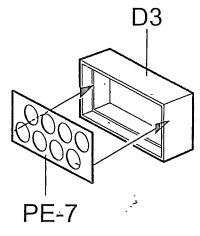
D2

D7



D4x4

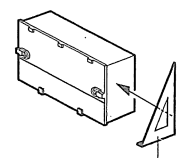
制作2组
Make two



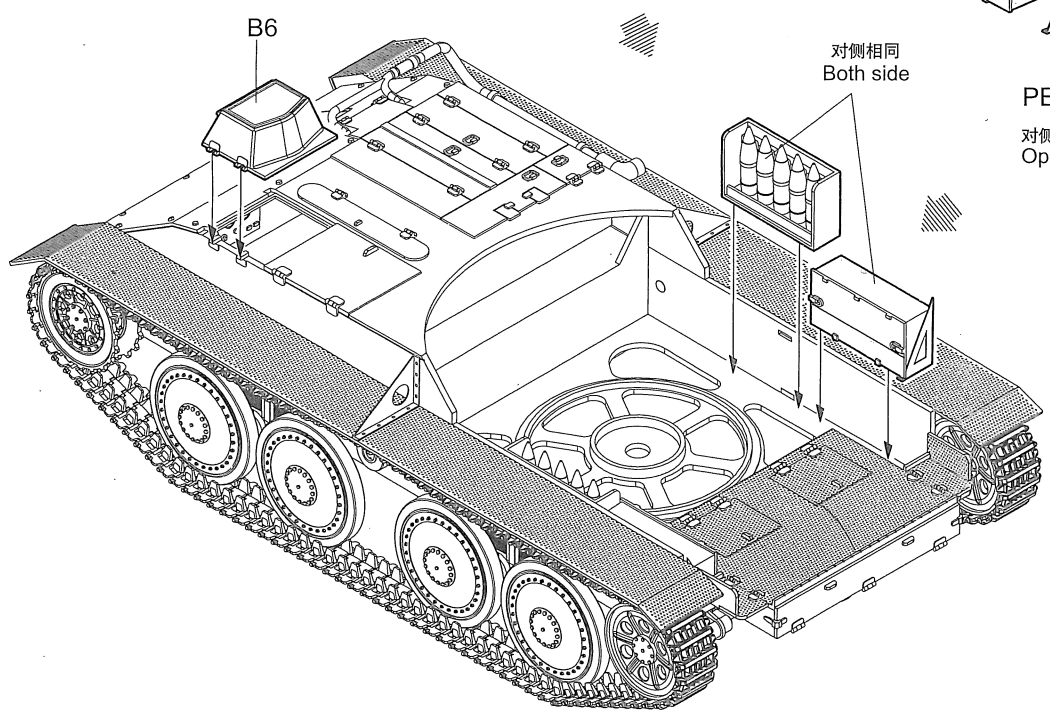
D3

PE-7

对侧相同
Both side

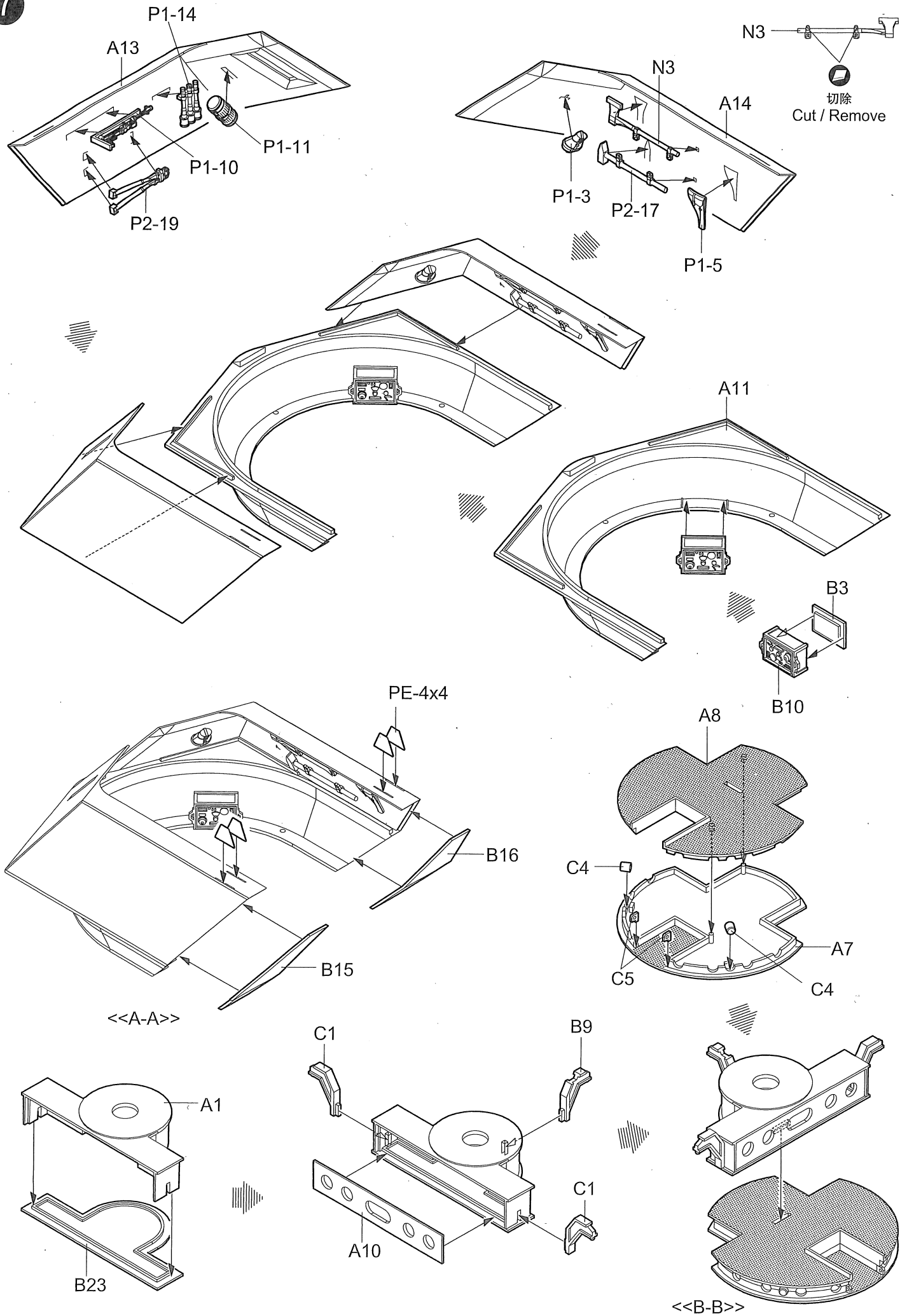


PE-6(PE-5) 弯曲
Bend
对侧 PE-5
Opposite

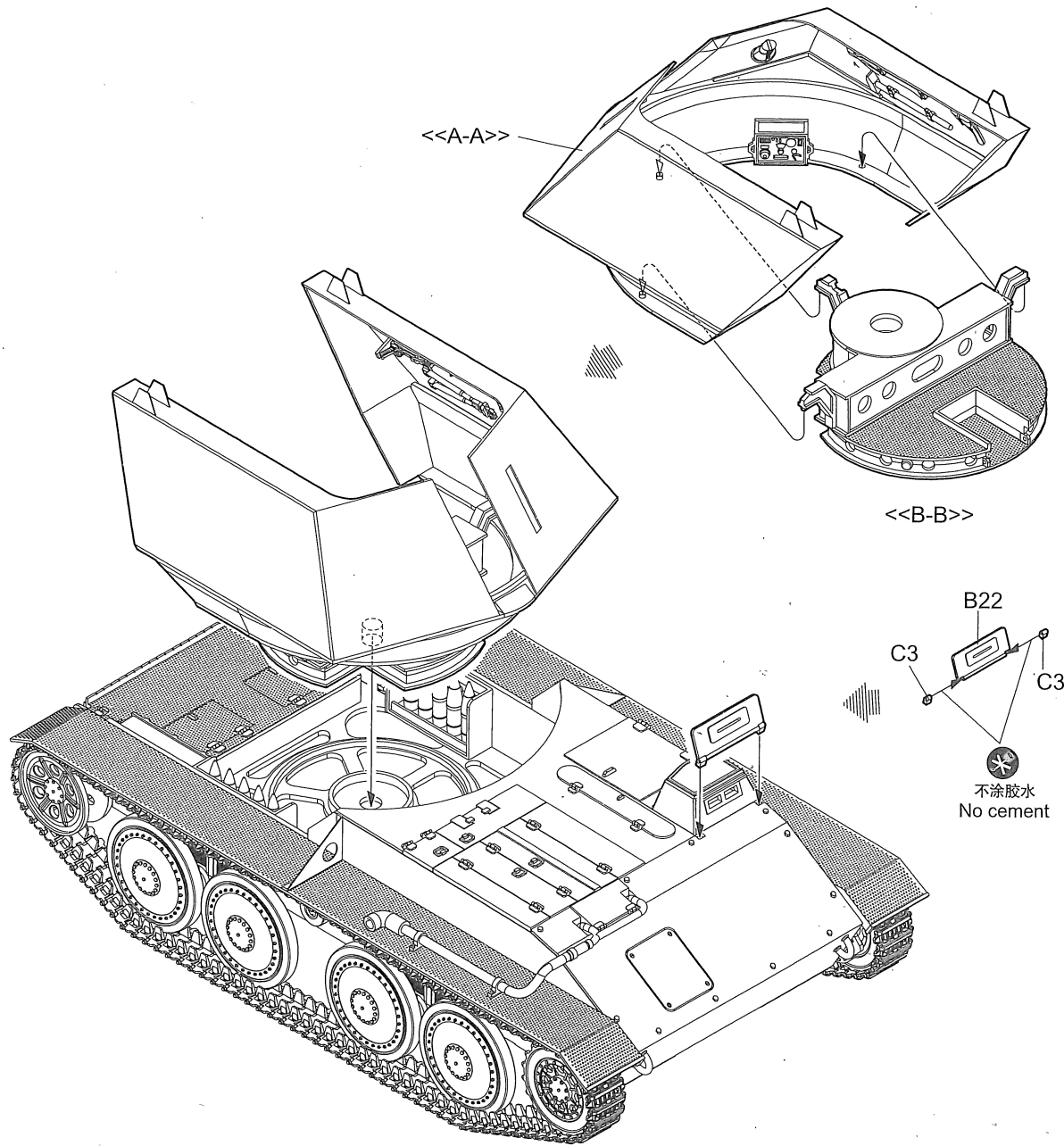


B6

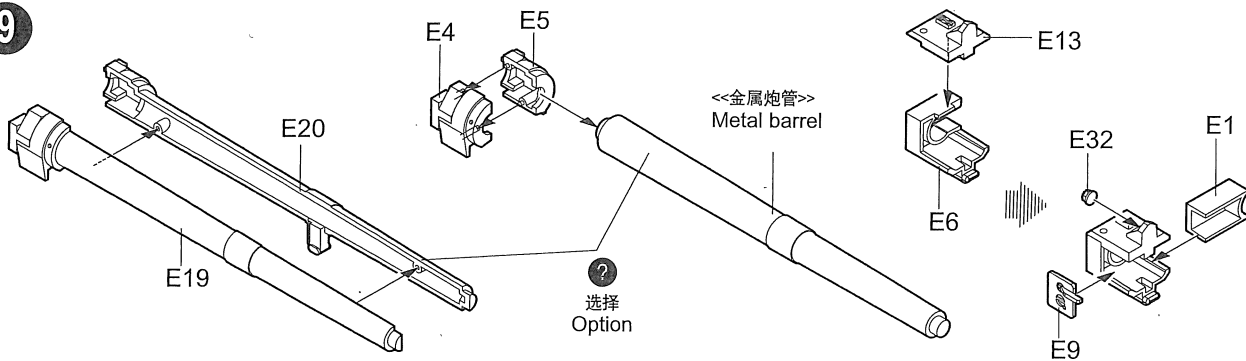
7



8



9



10

