

## 德国E-100坦克歼击车

## German Jagdpanzer E-100

## READ BEFORE ASSEMBLY:

- Study and understand these instructions thoroughly before beginning assembly
- When needed, remove photo-etch parts carefully using a modeling knife or photo etch sprue cutter, being careful not to damage or lose small parts.
- Take extra care in handling photo etch parts in order to avoid injury
- Apply instant cement sparingly to photo etch parts where instructed
- Tools recommended(not included in kit):Plastic and instant cements, sprue cutters,long nose pliers,modeling knife, small files, tweezers, pin vise & scissors. Soft cloth and sandpaper will also assist in construction
- Glue and paint are not included in the kit. Use plastic cement and hobby paints only. Color guide for purchasing paint is included in the kit.

## 装配之前仔细阅读

- 小心用模型锉刀锉平所有零件表面的注射浇口。
- 小心用刀片切下蚀刻片零件，不要遗失小零件。
- 用强力快干胶水粘合蚀刻片零件和金属轴。过量快干胶水使用可能导致可动零件会粘住，小心涂胶。
- 取蚀刻片时应特别注意安全，防止利边划伤手指。
- 某些零件表面需贴上水贴纸，请选择在装配的同时进行。
- 推荐模型工具(自备)：胶水，水口剪刀，长咀钳，刀片，锉刀，镊子，钳，钻，剪刀，瞬间快干胶。
- 软布同砂纸同时也应该是必备工具。
- 请使用塑料胶水和油漆，模型内不含。

配重  
Weight使用强力胶  
Cyanoacrylate glue钻孔  
Make hole切除  
Cut / Remove贴纸  
Decal锉平  
File / Sand选择  
Option不涂胶水  
No cement弯曲  
Bend

## 水贴纸的使用:

- 1.从水贴纸上剪下印花;
- 2.将印花放入温水中浸10秒,然后放在干净布上。
- 3.拿着印花纸板将印花移到模型上;
- 4.手指蘸水将印花移到适当的位置;
- 5.用软布轻压印花直至水干, 气泡消失

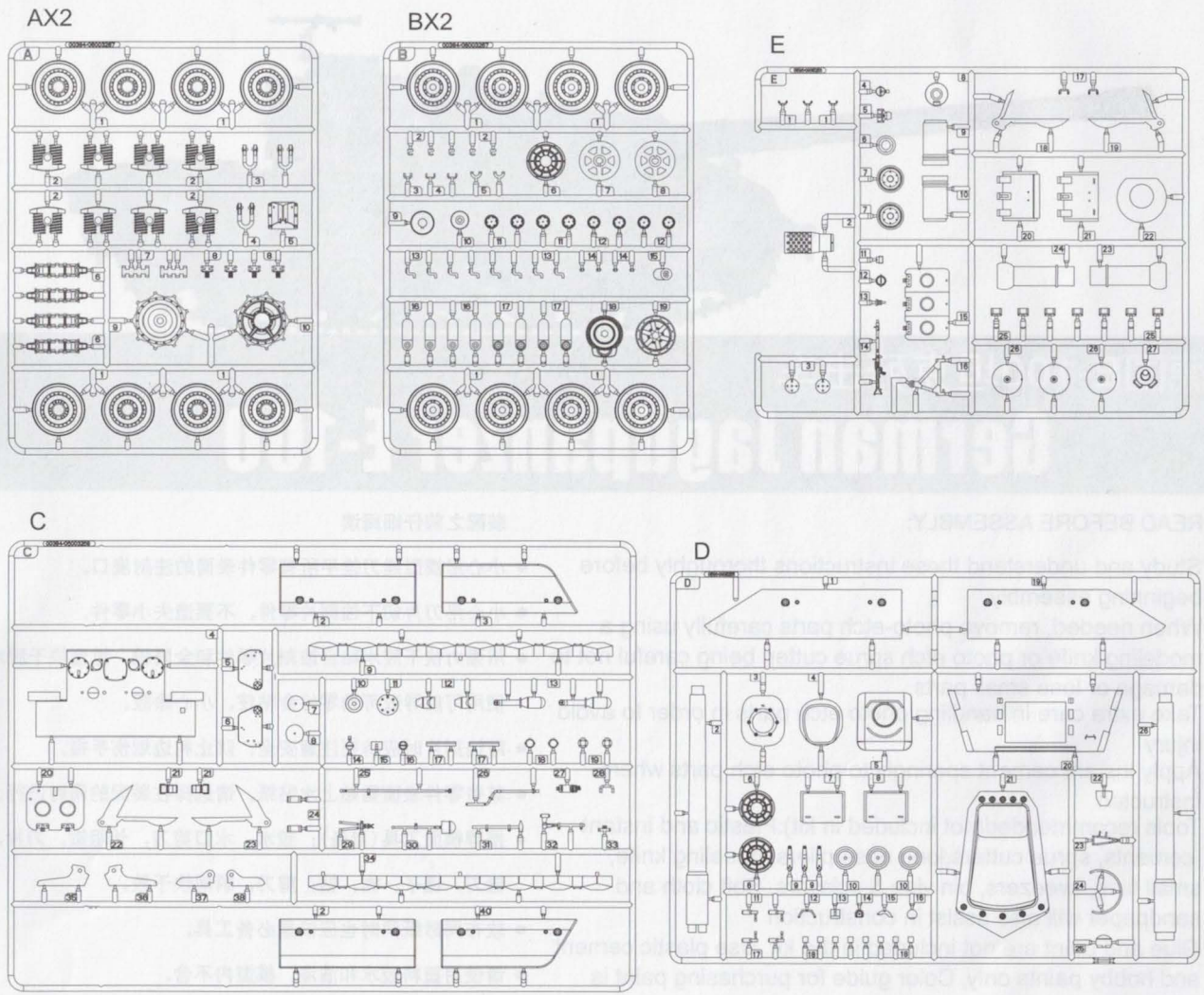
## DECAL APPLICATION

- 1.Cut decals from sheet as needed
- 2.Dip the decal in warm water for about 10 seconds and then place on soft clean cloth.
- 3.Hold the decal backing sheet edge and gently slide the decal onto the model in its proper position.

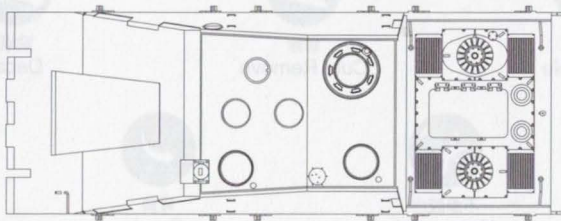
- 4.While still wet,decal can be adjusted for better fit on model by dampening it gently with your finger.
- 5.When placed in the proper position,gently press decal down with a soft cloth until excess water and air bubbles are gone.
- 6.Allow decal to dry completely before handling model

部品图

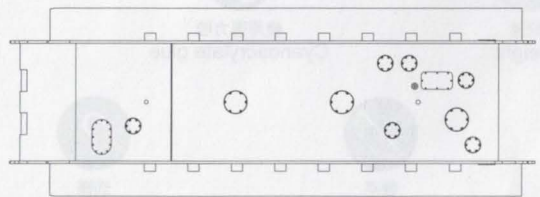
Parts



《车面》  
Upper hull



《车底》  
Lower hull



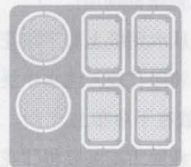
《履带》 X2  
Track



《水贴》  
Decal

++00123456789  
++00123456789

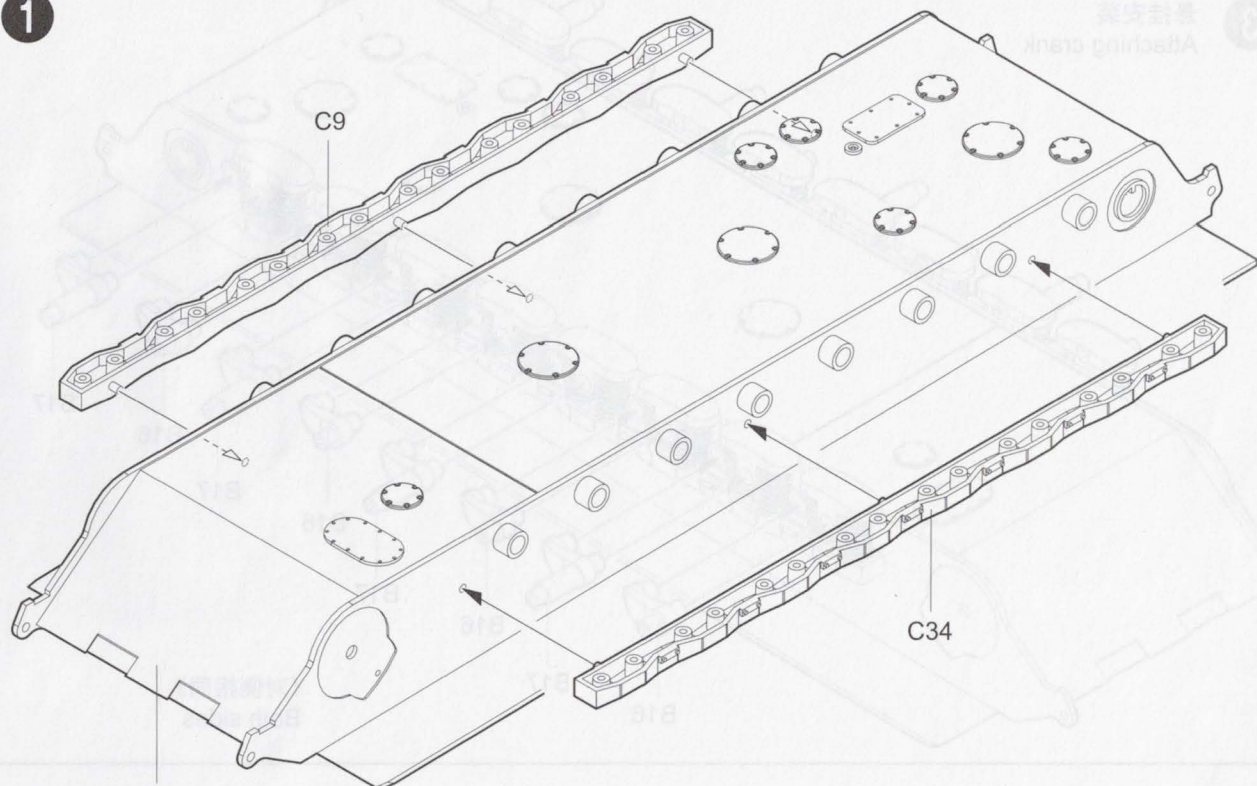
《蚀刻片》  
PE



不用部品: A6.A7.A8.B3.B4.B5. B6. B10.B13.B14.C5.C6. C7. C8. C10. C11.C14.  
C15.C16.C20.C21.C22.C23.C24.C25.C26.C27.C28.C29.C30.C31.C32

Unused parts:

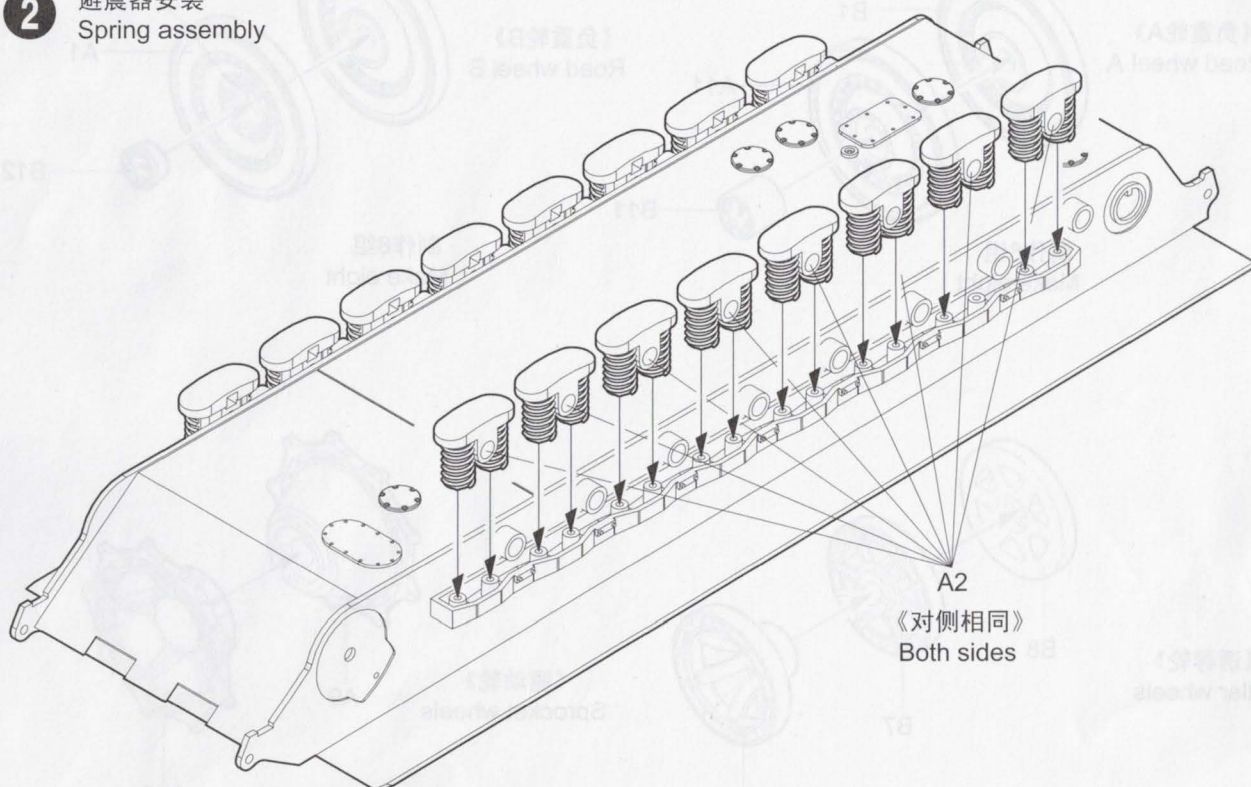
1



《车底》  
Lower hull

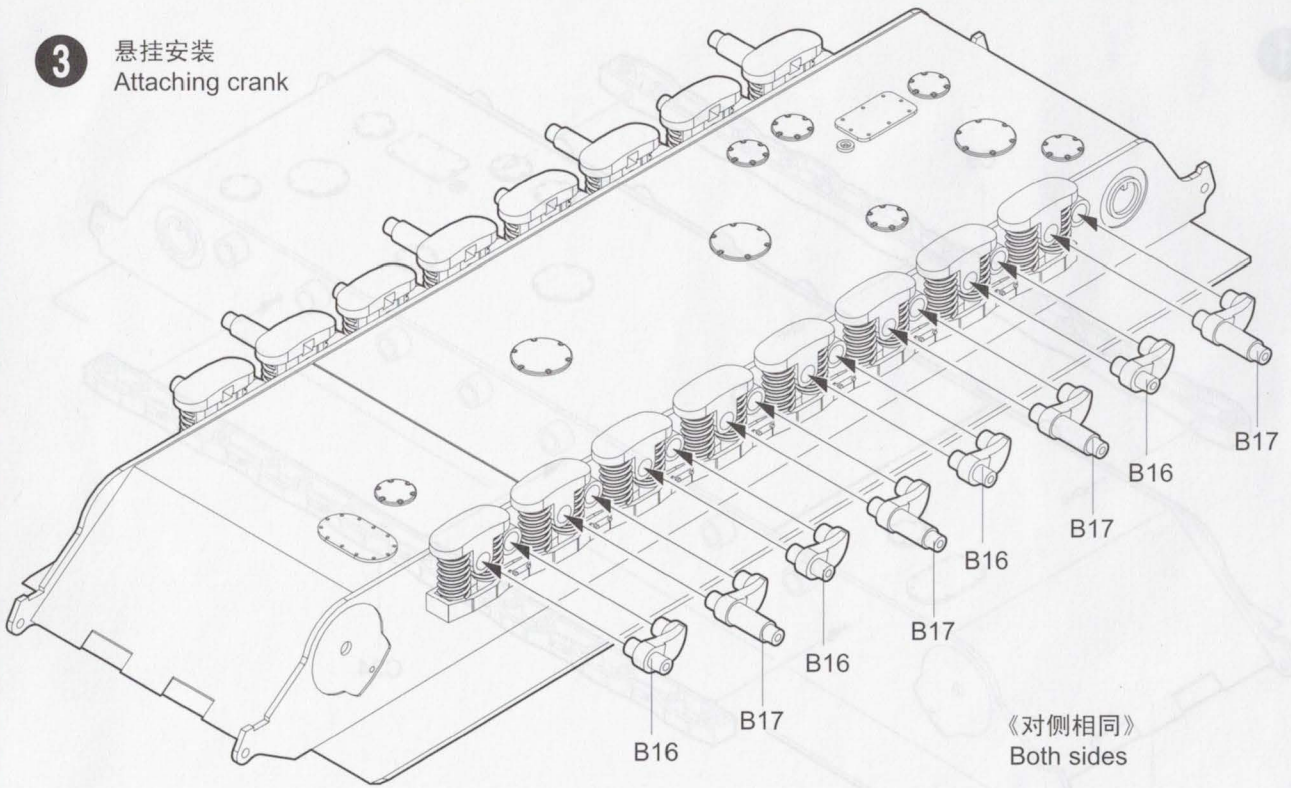
2

避震器安装  
Spring assembly



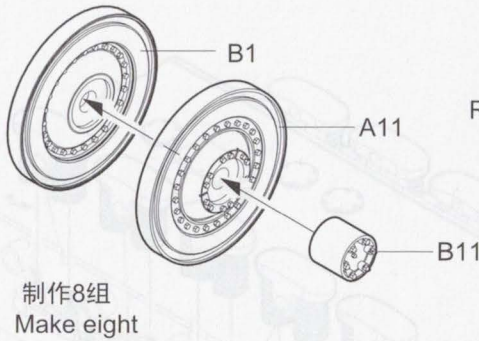
A2  
《对侧相同》  
Both sides

**3** 悬挂安装  
Attaching crank

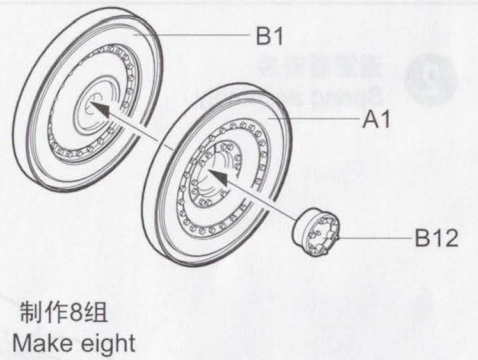


**4** 车轮组装  
Wheel assembly

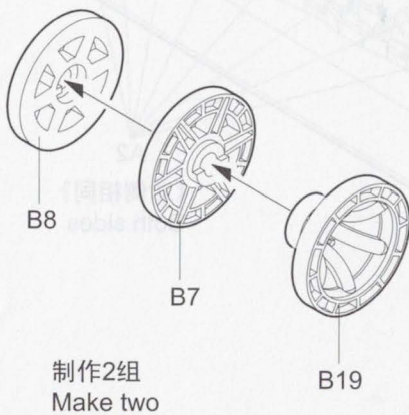
《负重轮A》  
Road wheel A



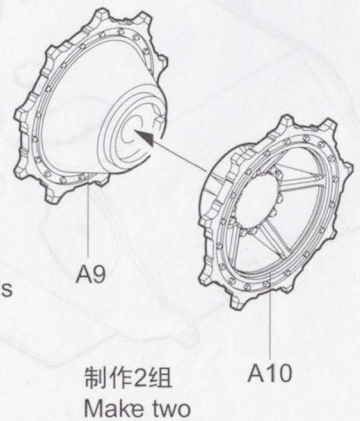
《负重轮B》  
Road wheel B



《诱导轮》  
Idler wheels

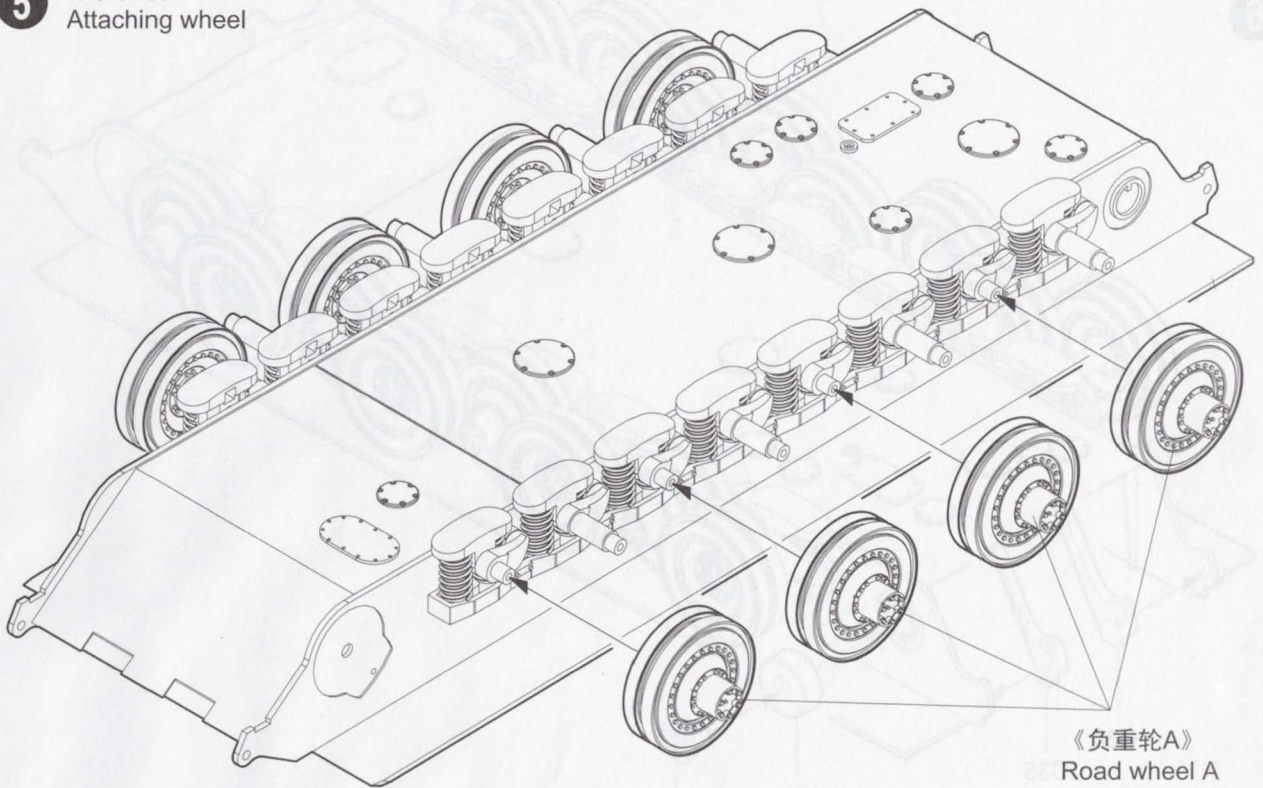


《驱动轮》  
Sprocket wheels



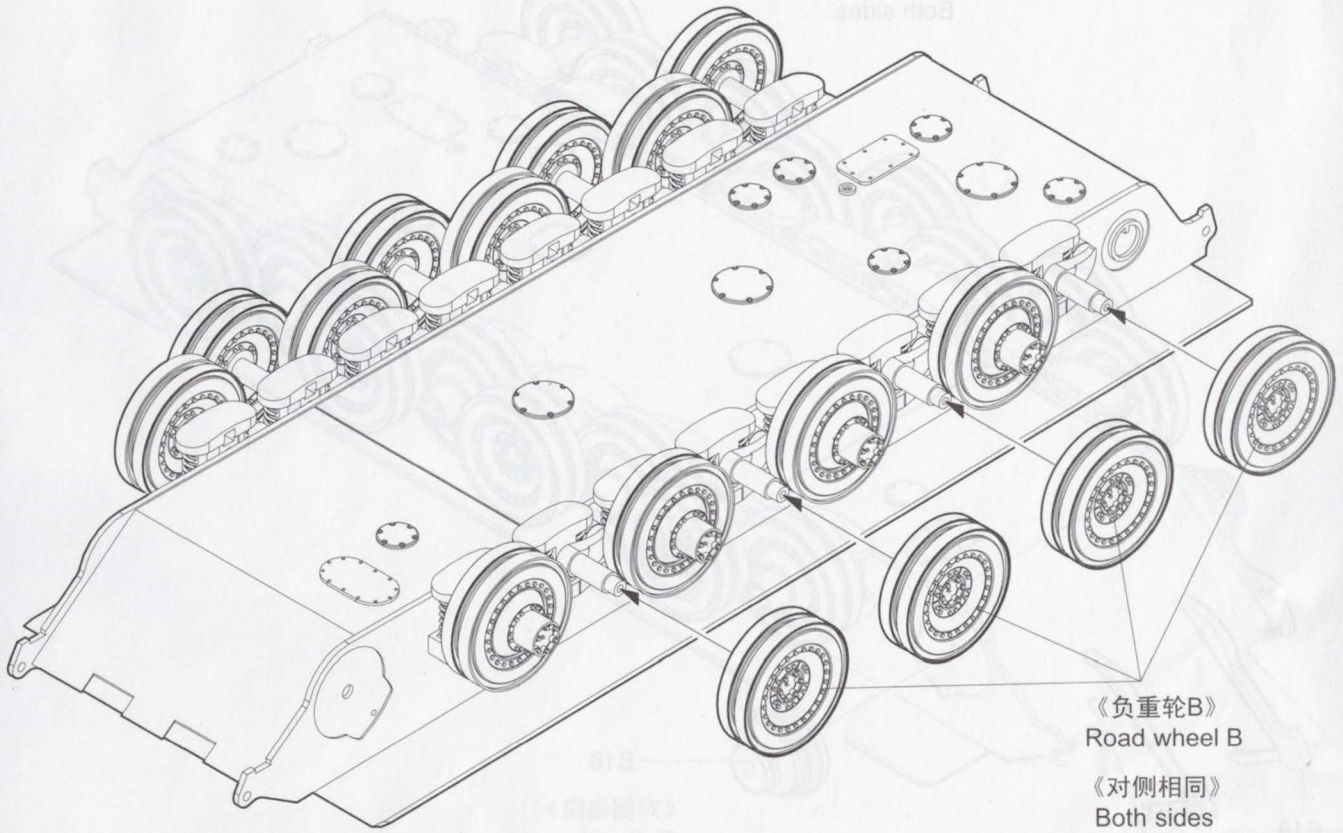
5

车轮安装  
Attaching wheel



《负重轮A》  
Road wheel A

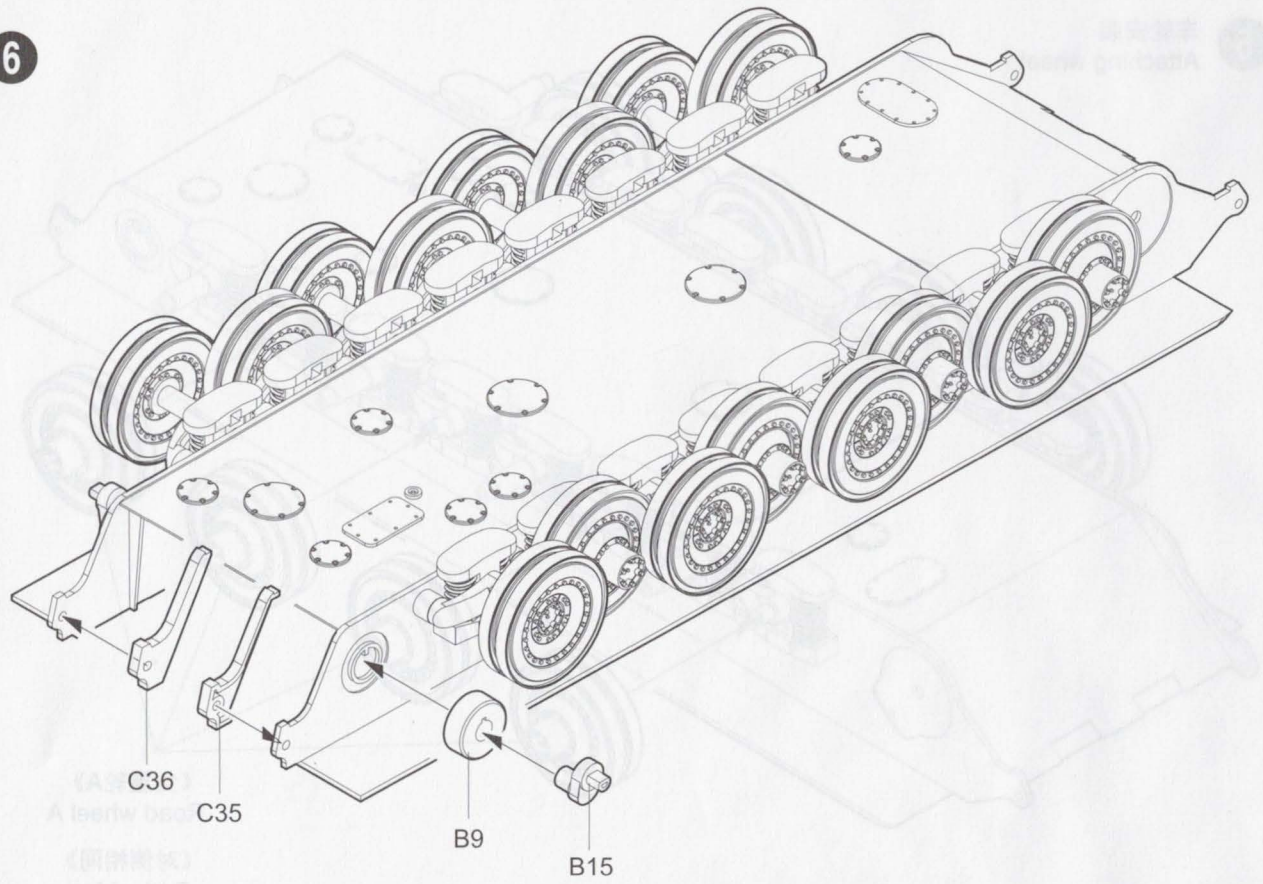
《对侧相同》  
Both sides



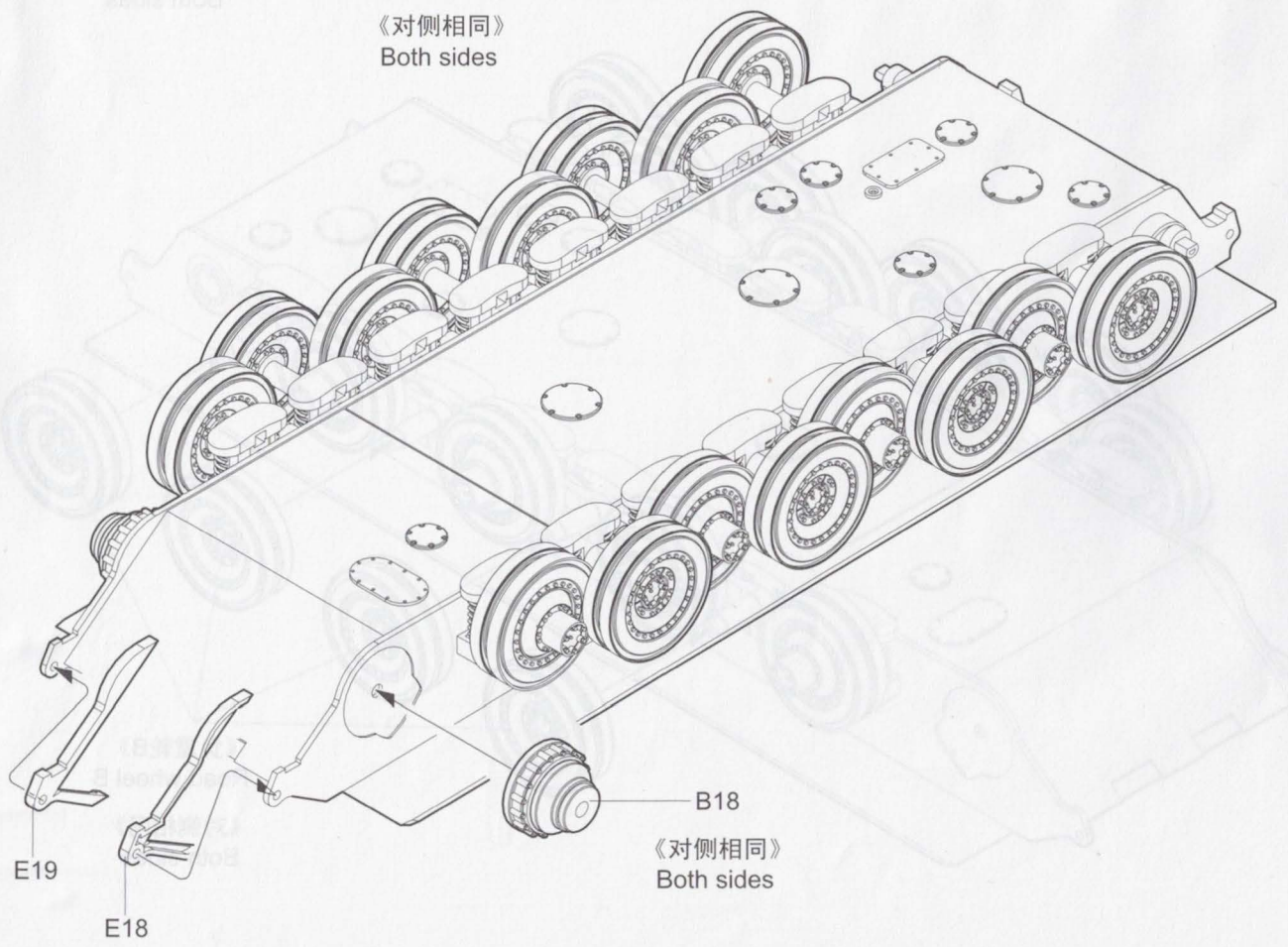
《负重轮B》  
Road wheel B

《对侧相同》  
Both sides

6



《对侧相同》  
Both sides

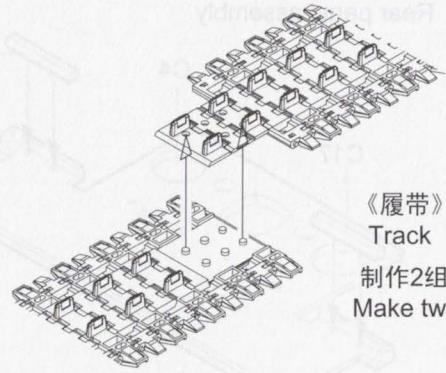


《对侧相同》  
Both sides

7

履带连接  
Track construction

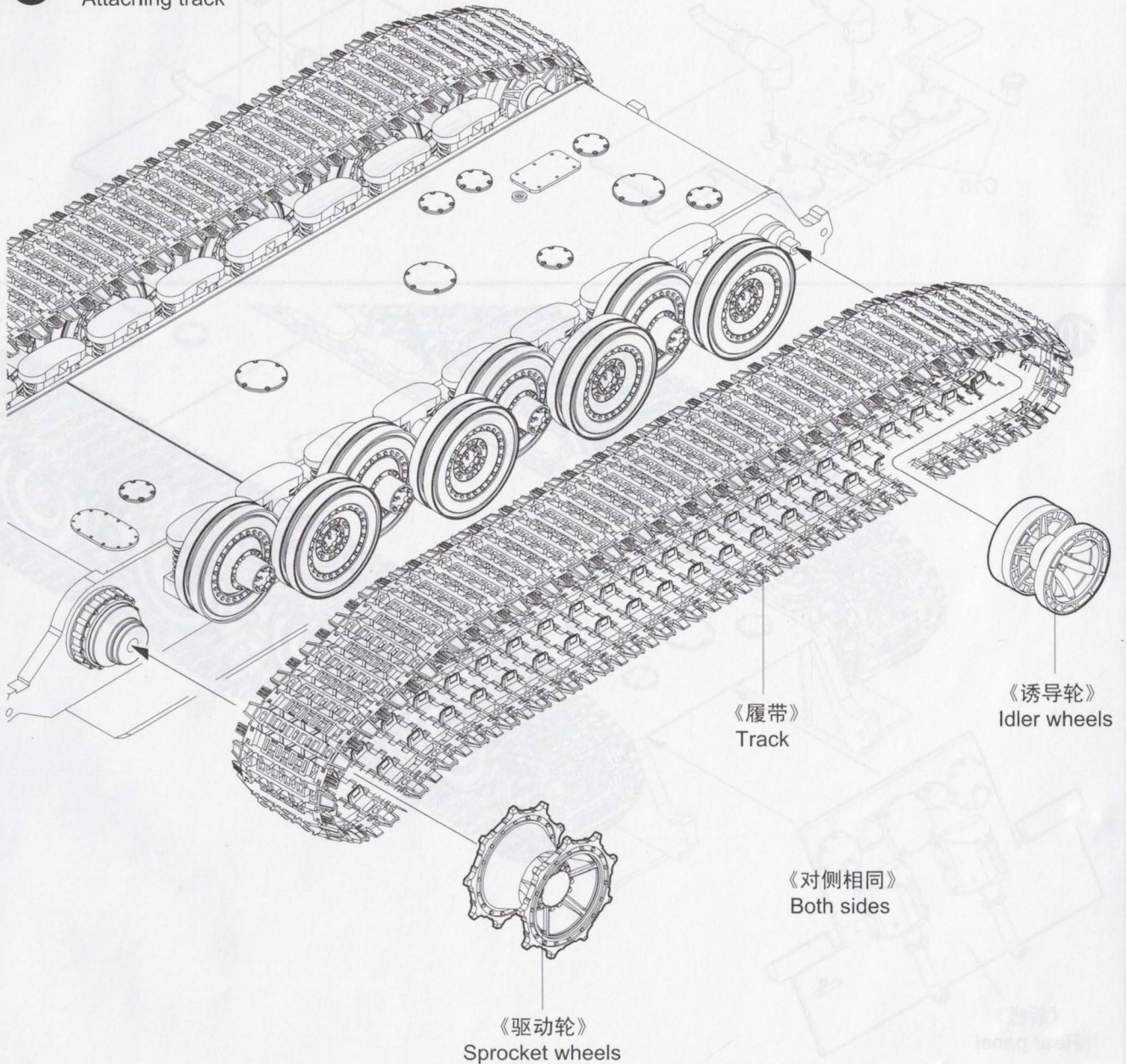
- \*履带可用塑料胶水粘合。
- \*履带可用模型油漆喷涂。
- \*若履带断裂，用细丝线固定。
- \*The tracks in this kit can be glued using plastic cement.
- \*The tracks can be painted using plastic paints.
- \* If track is broken strengthen with staples or thread.



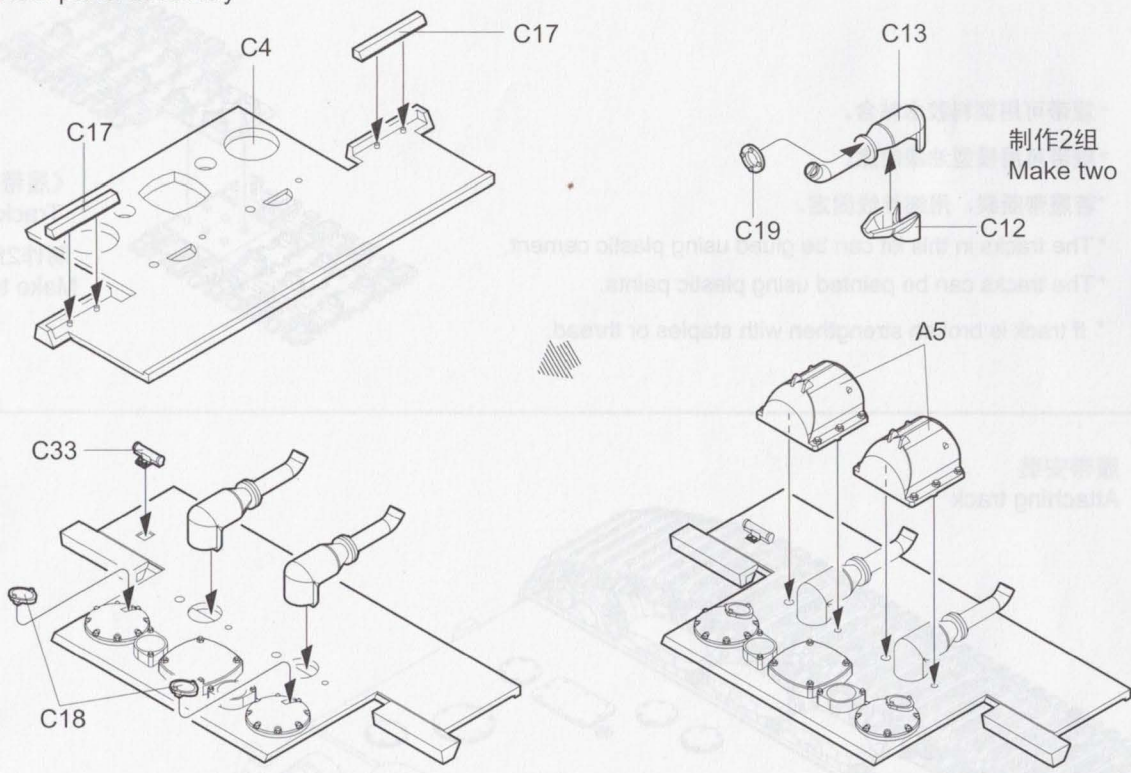
《履带》  
Track  
制作2组  
Make two

8

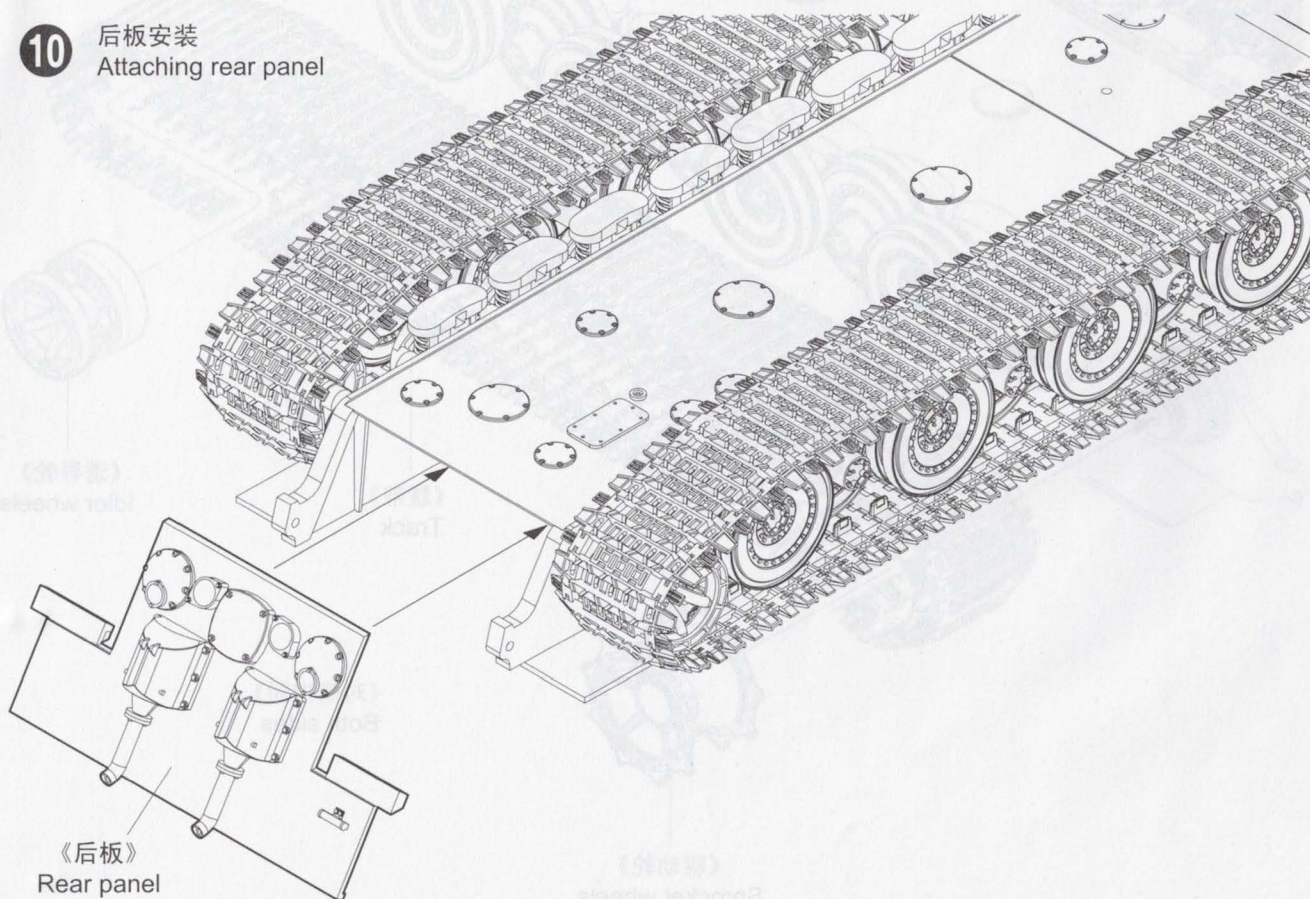
履带安装  
Attaching track



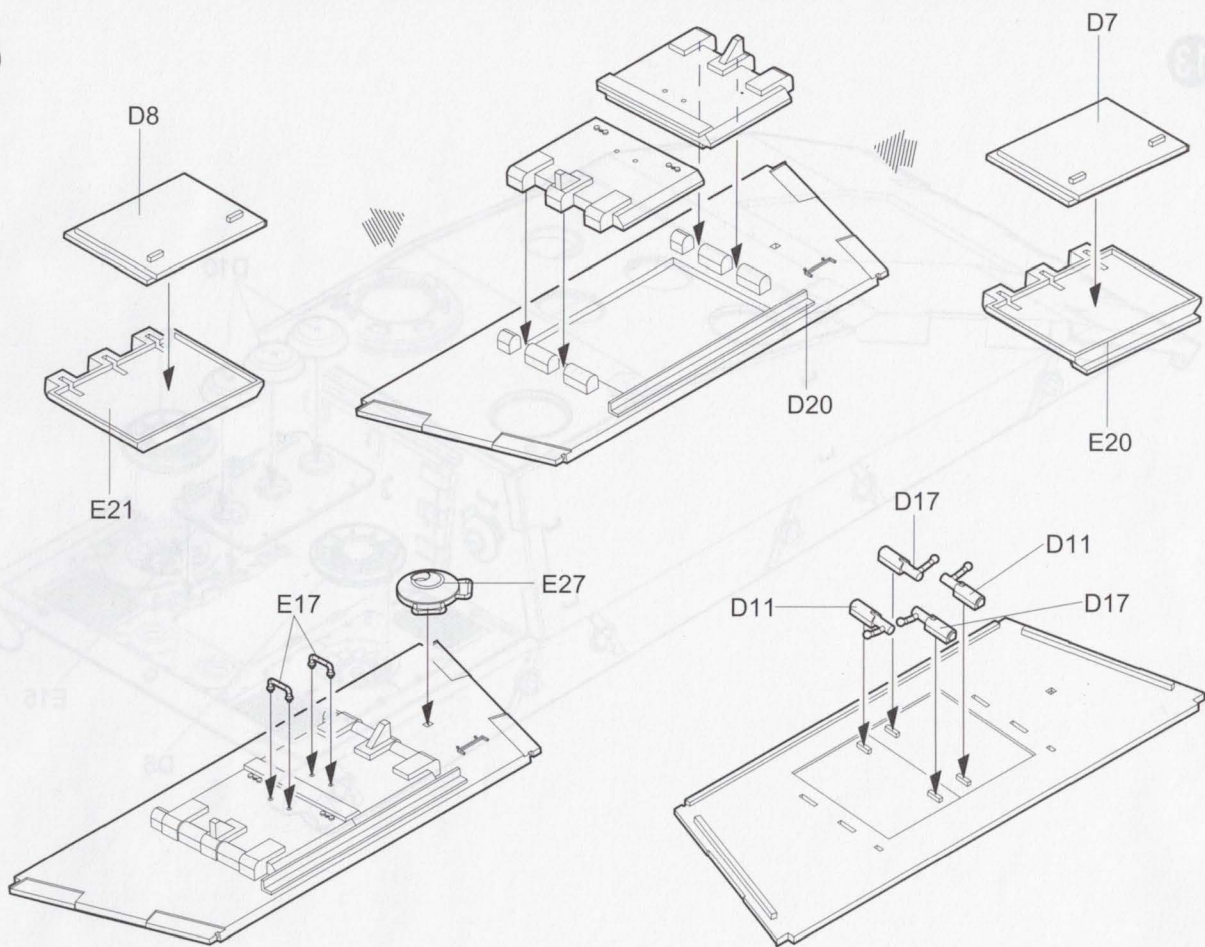
**9** 后板组装  
Rear panel assembly



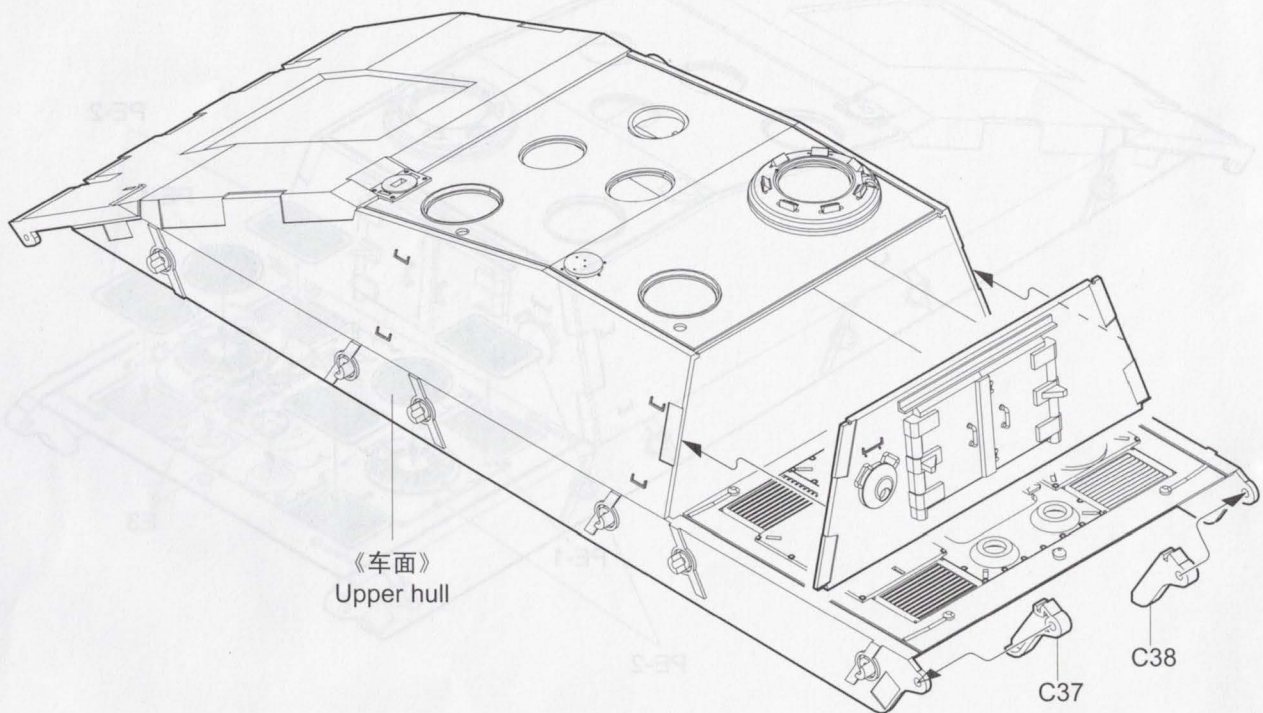
**10** 后板安装  
Attaching rear panel



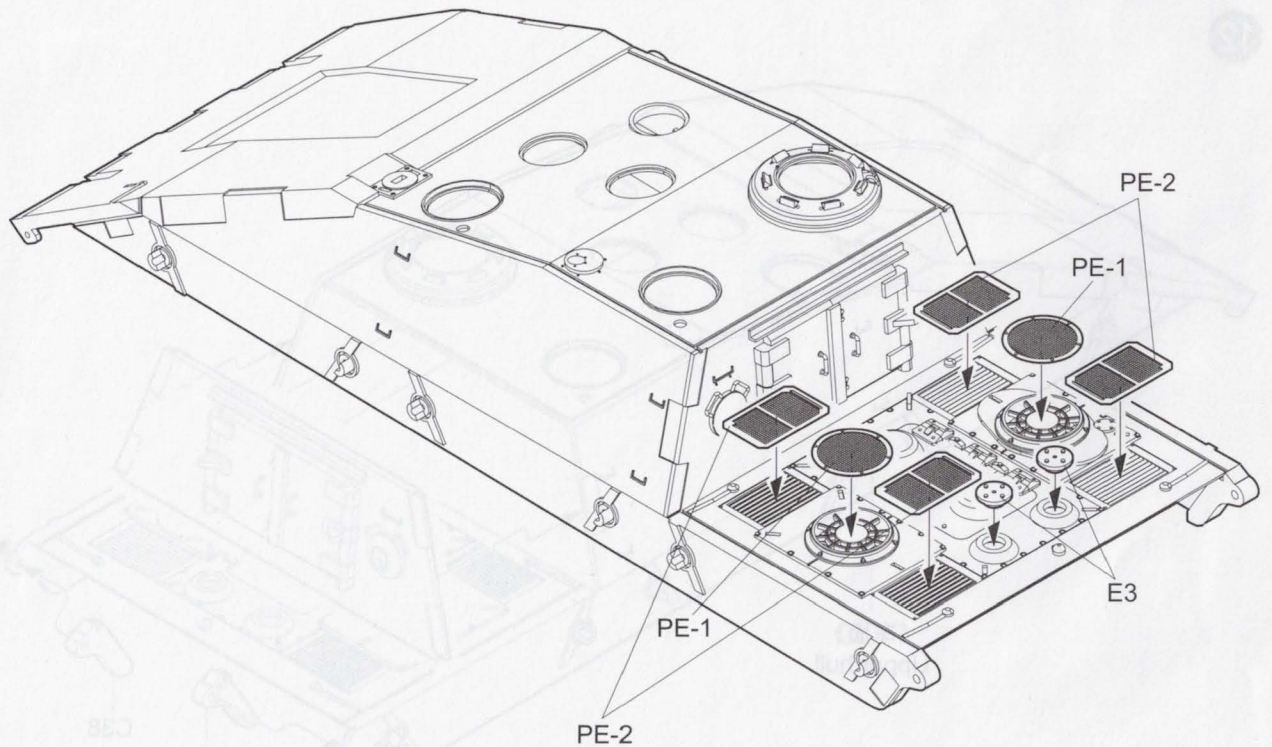
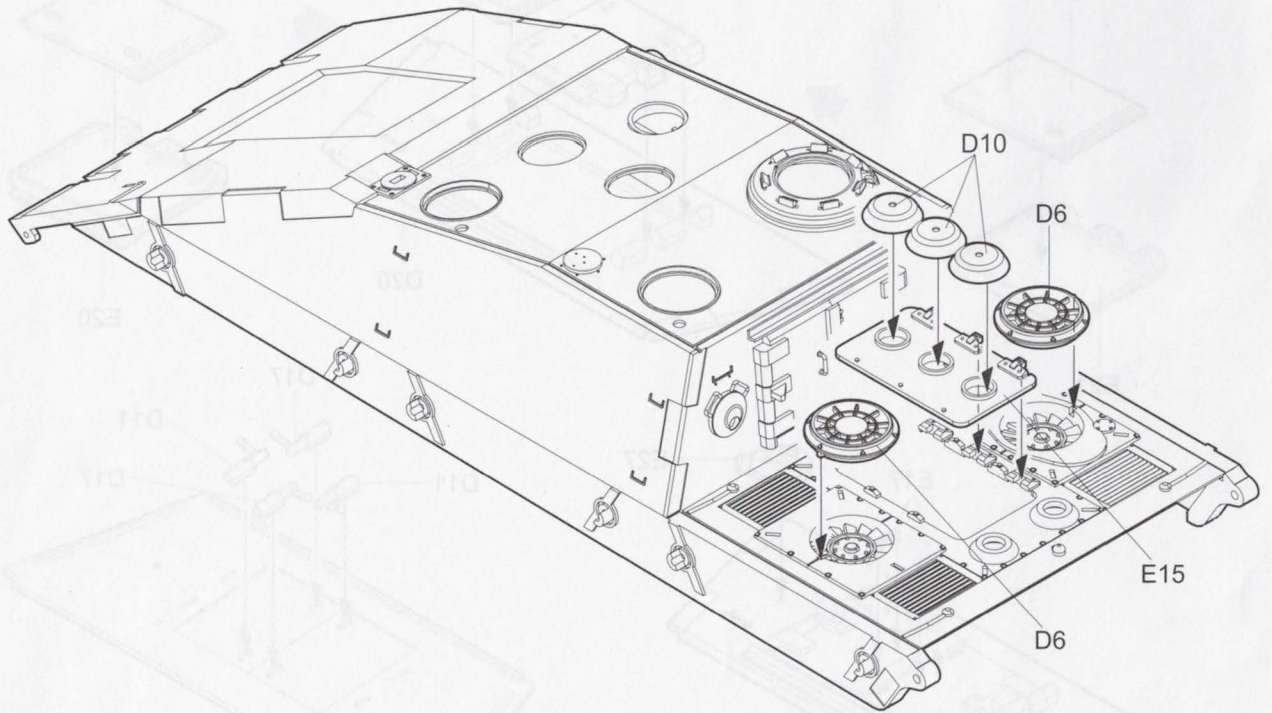
11



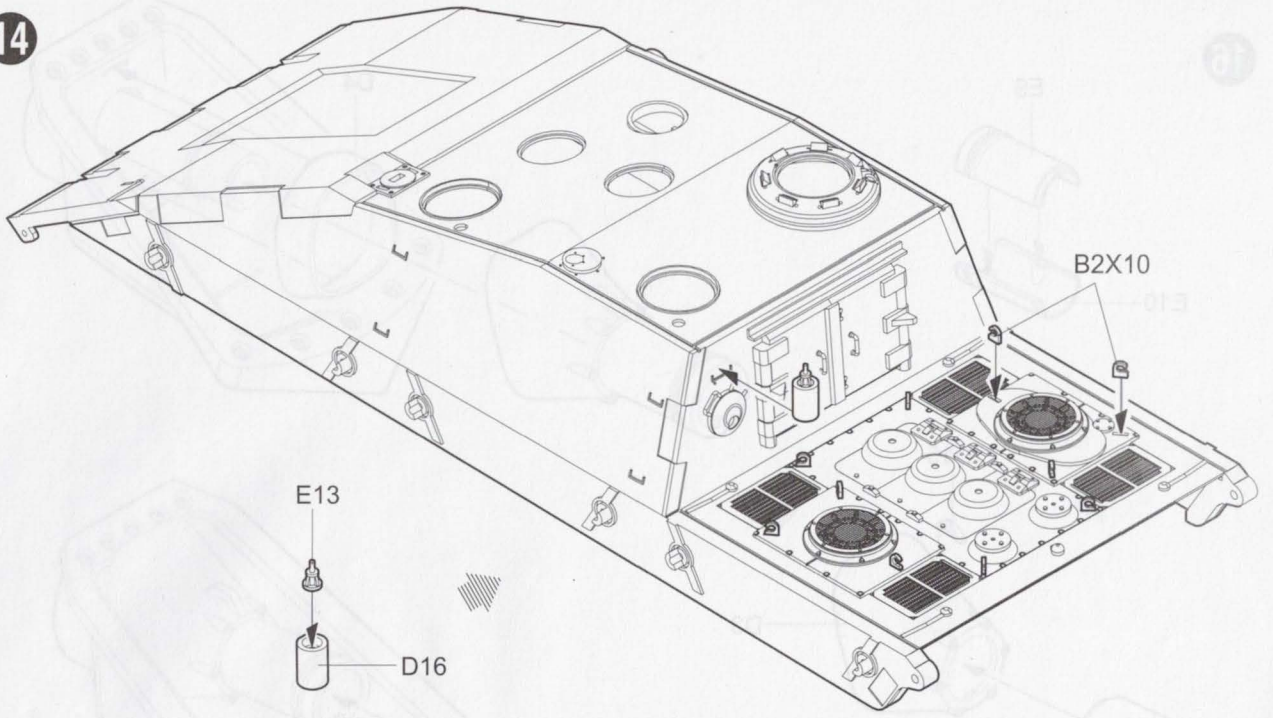
12



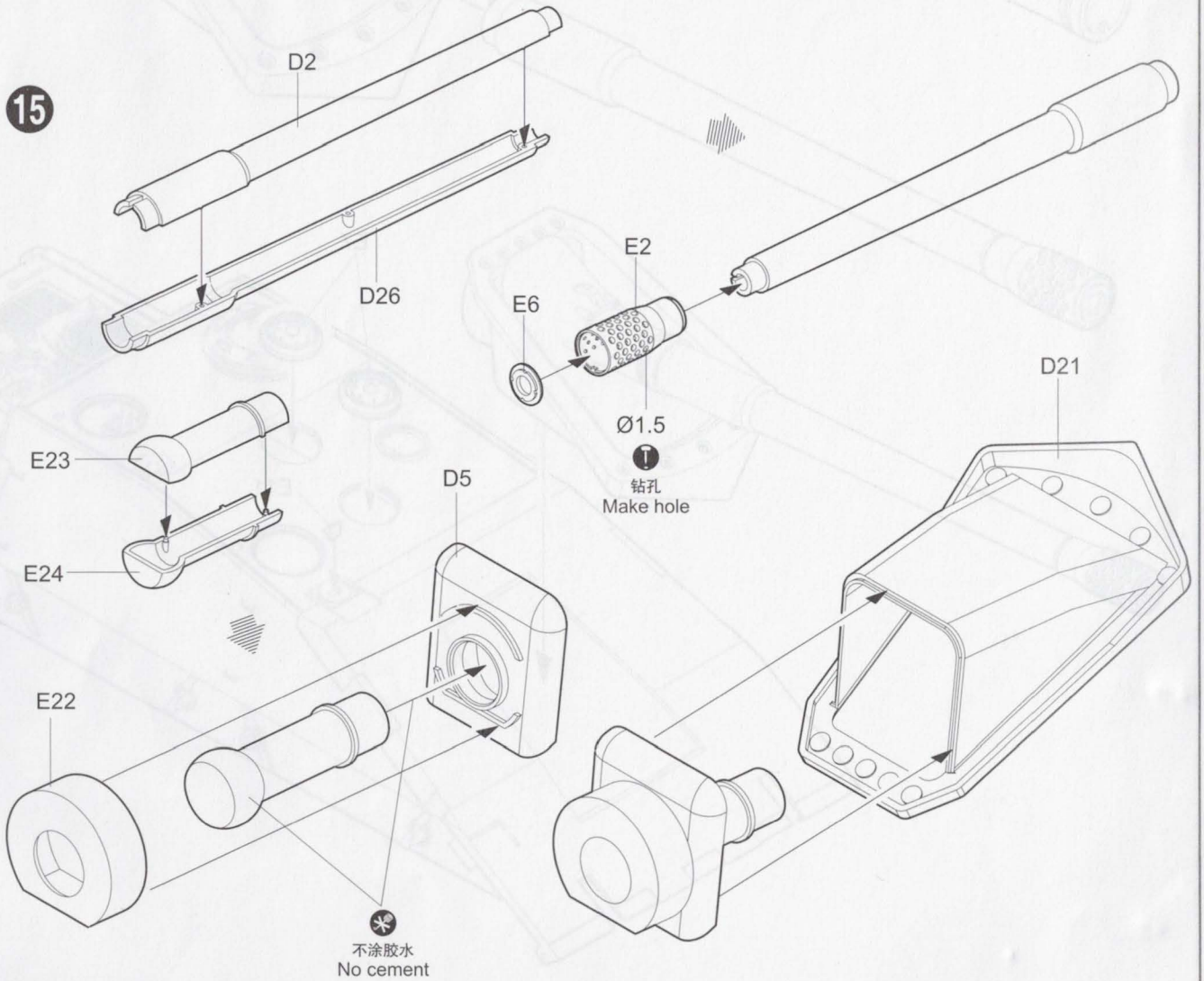
13



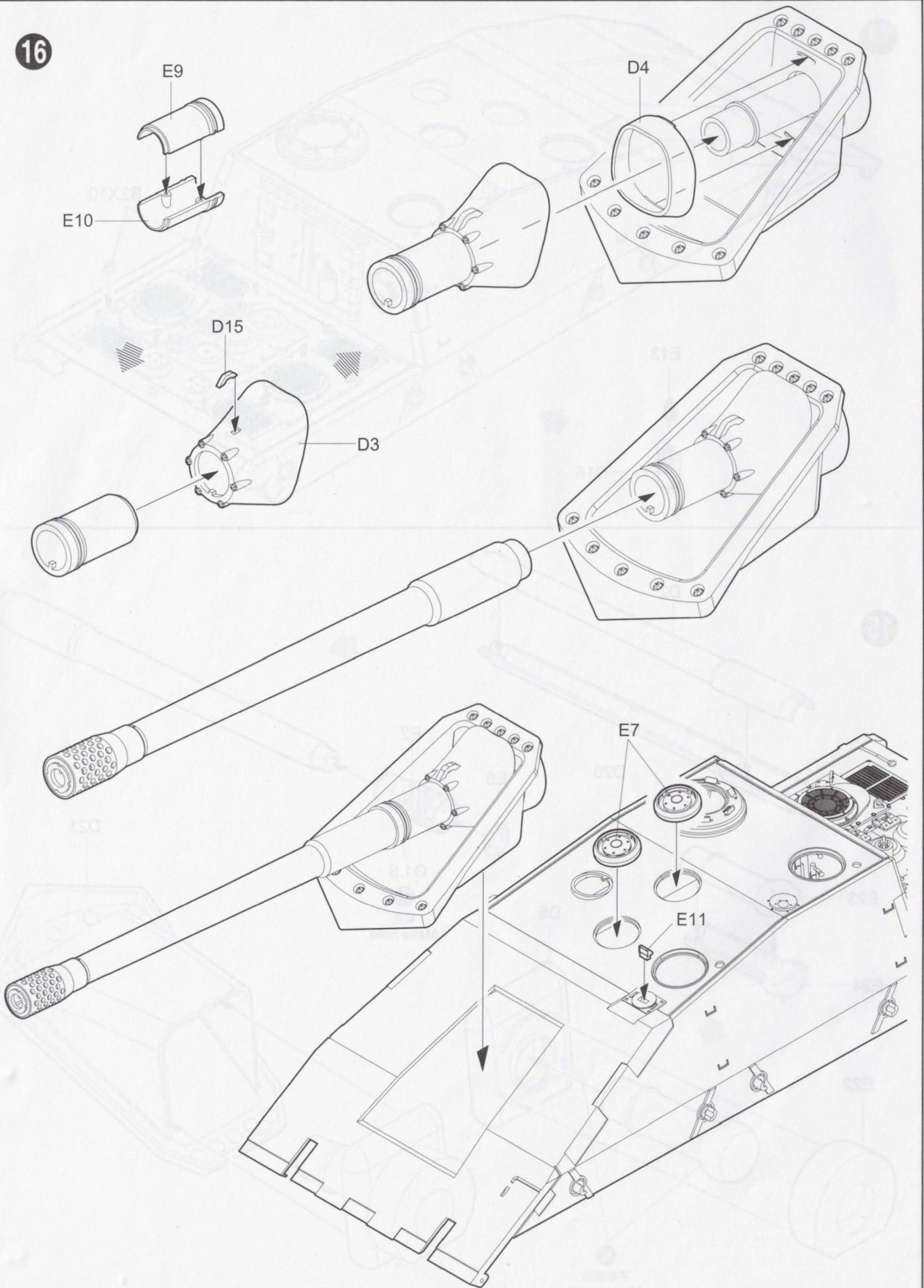
14



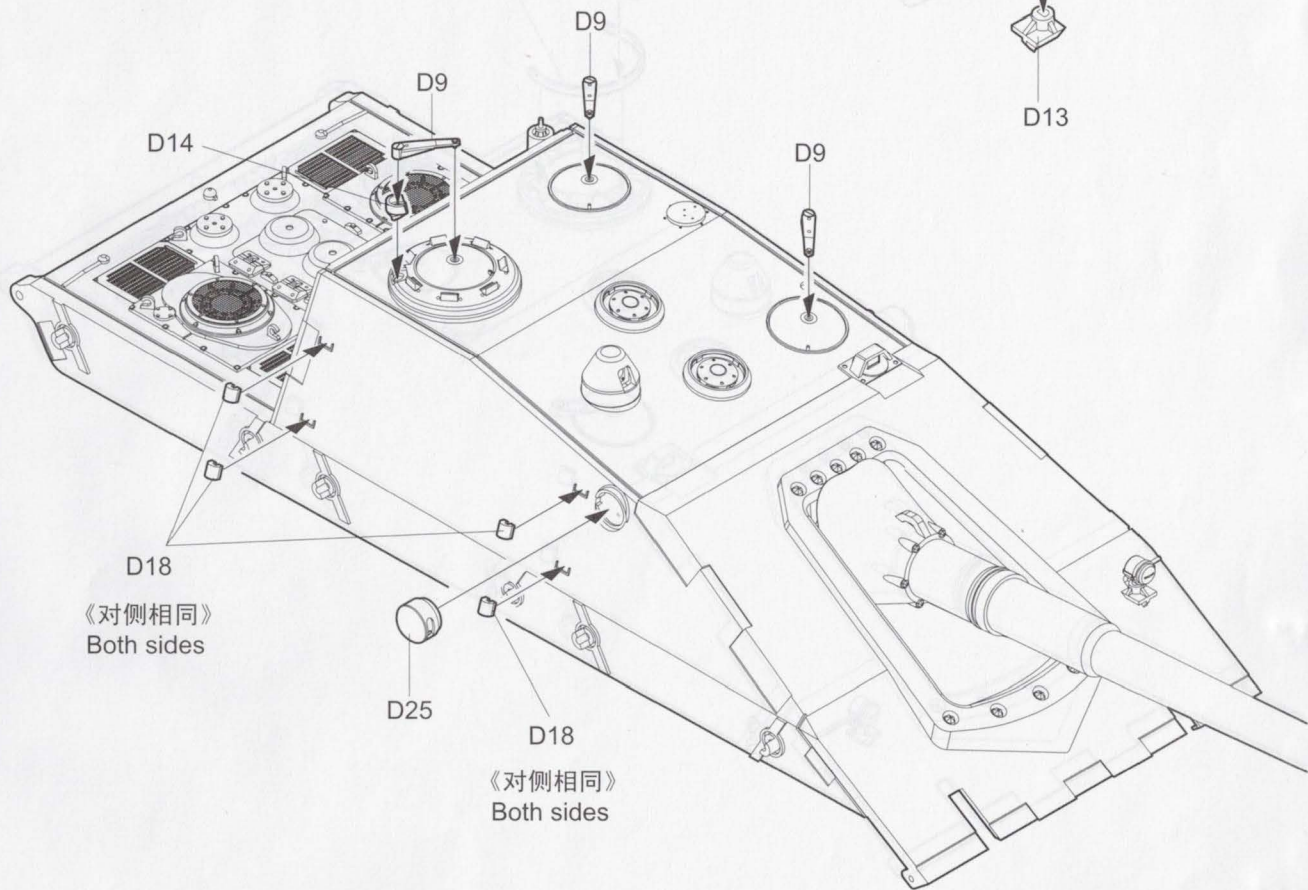
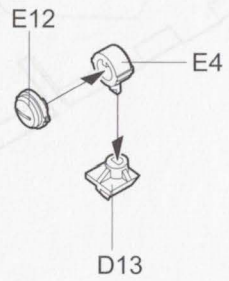
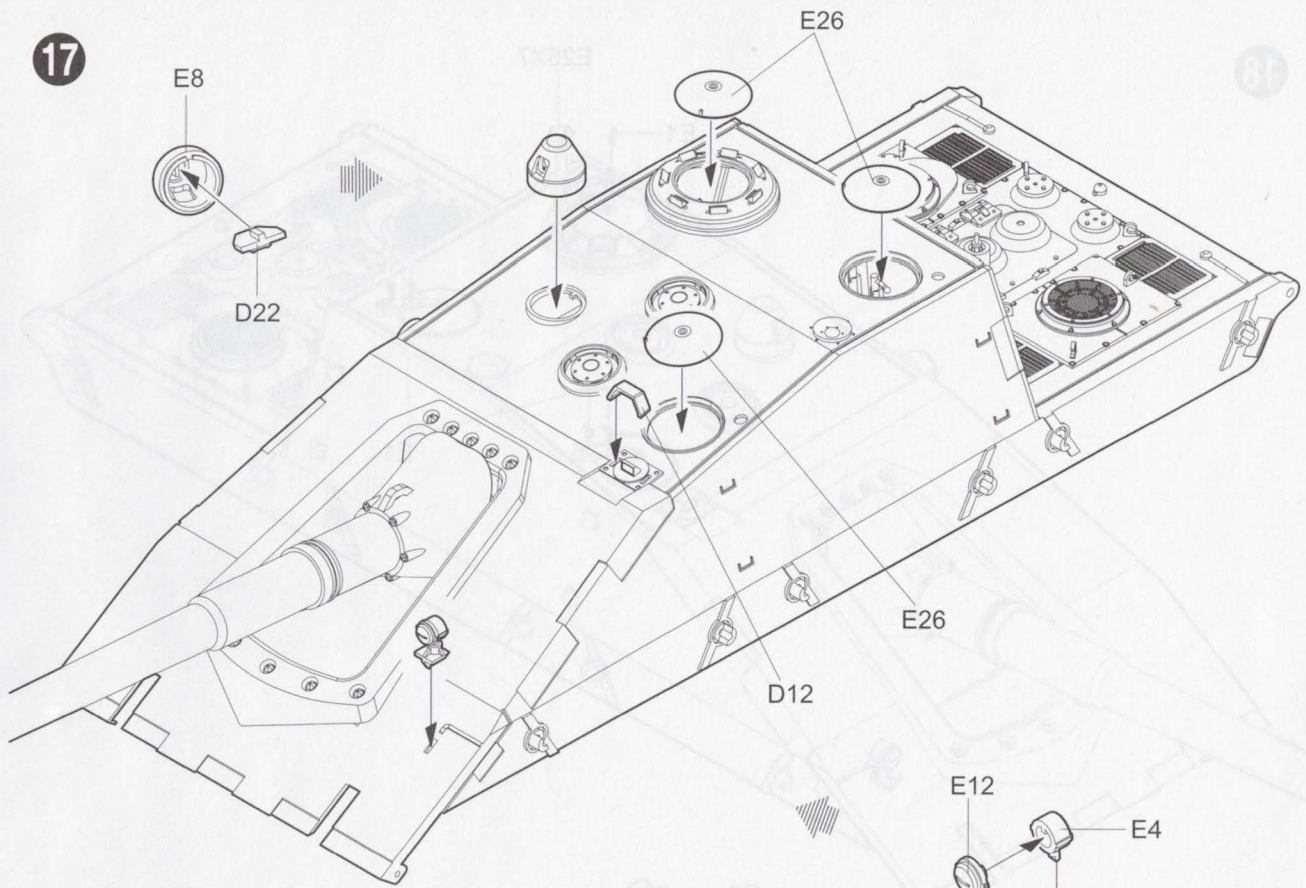
15



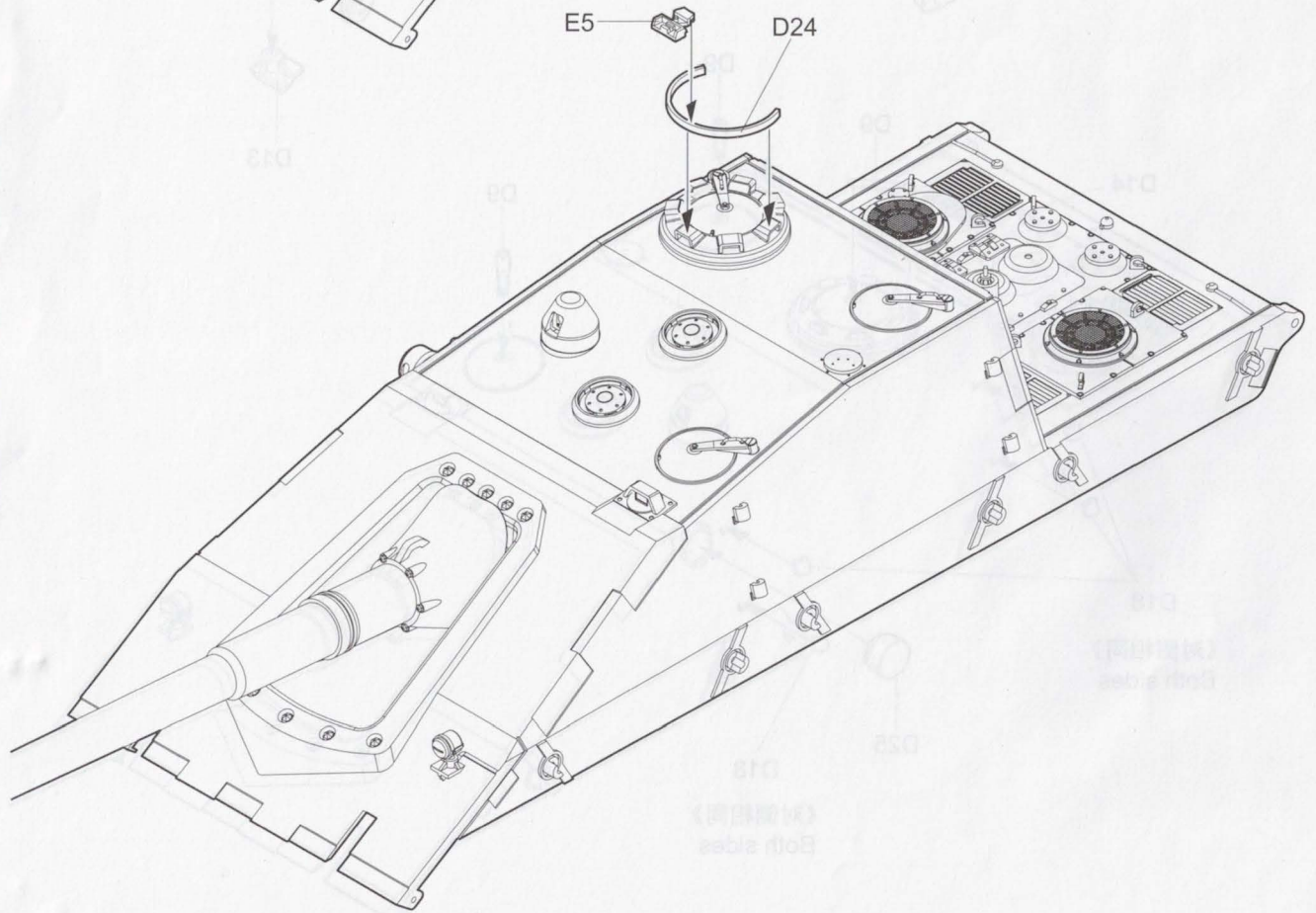
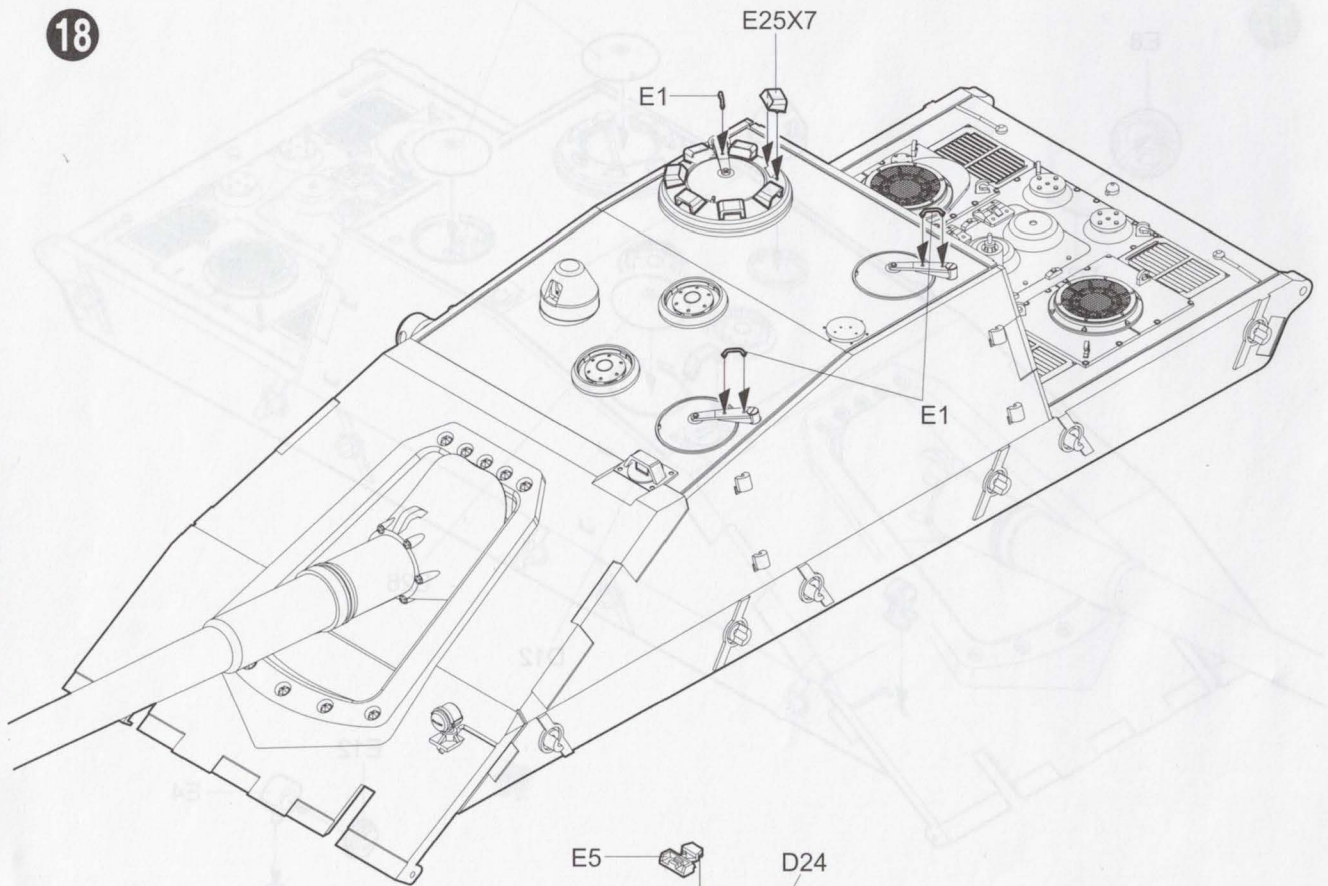
16

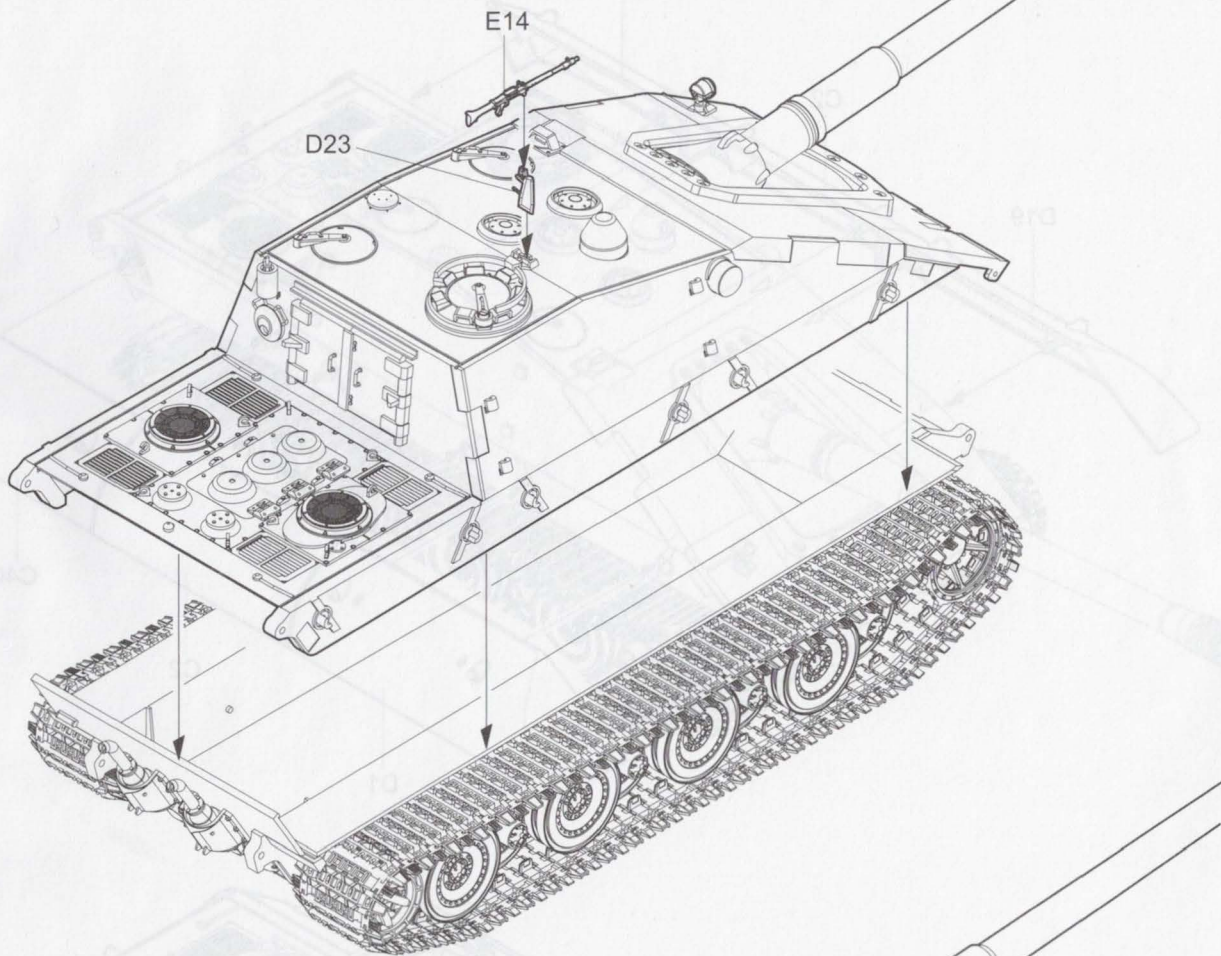


17

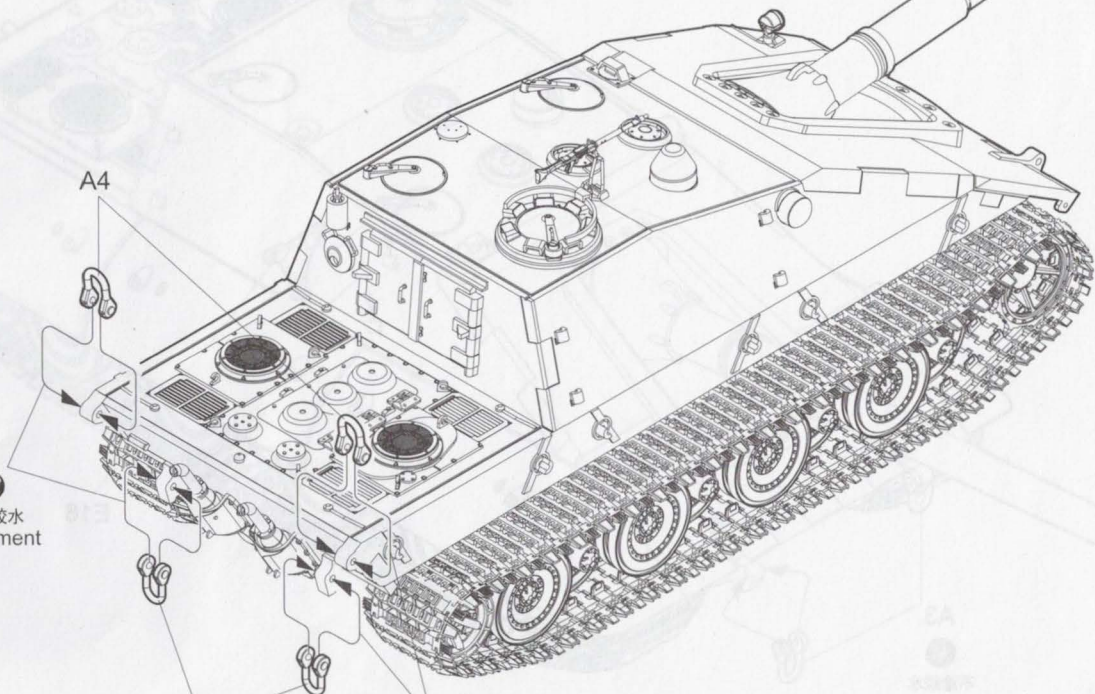


18





E14  
D23



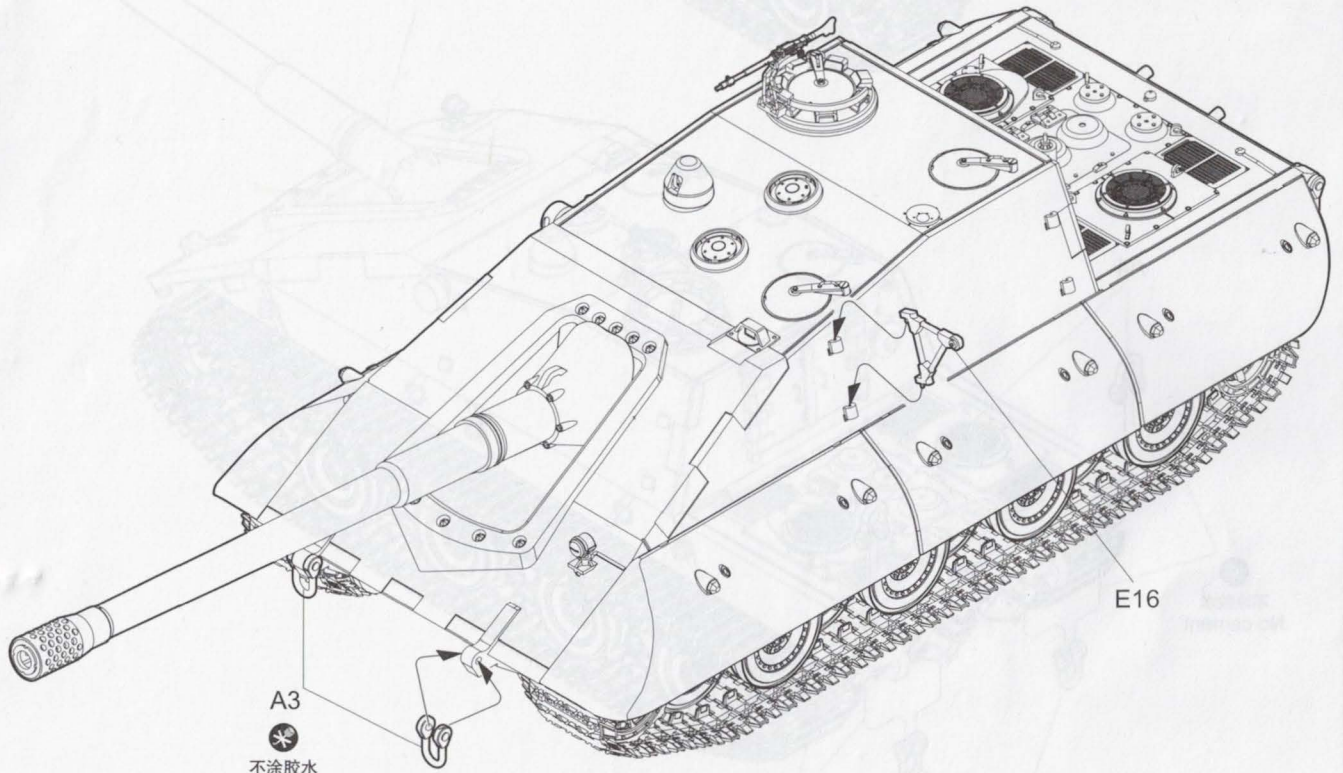
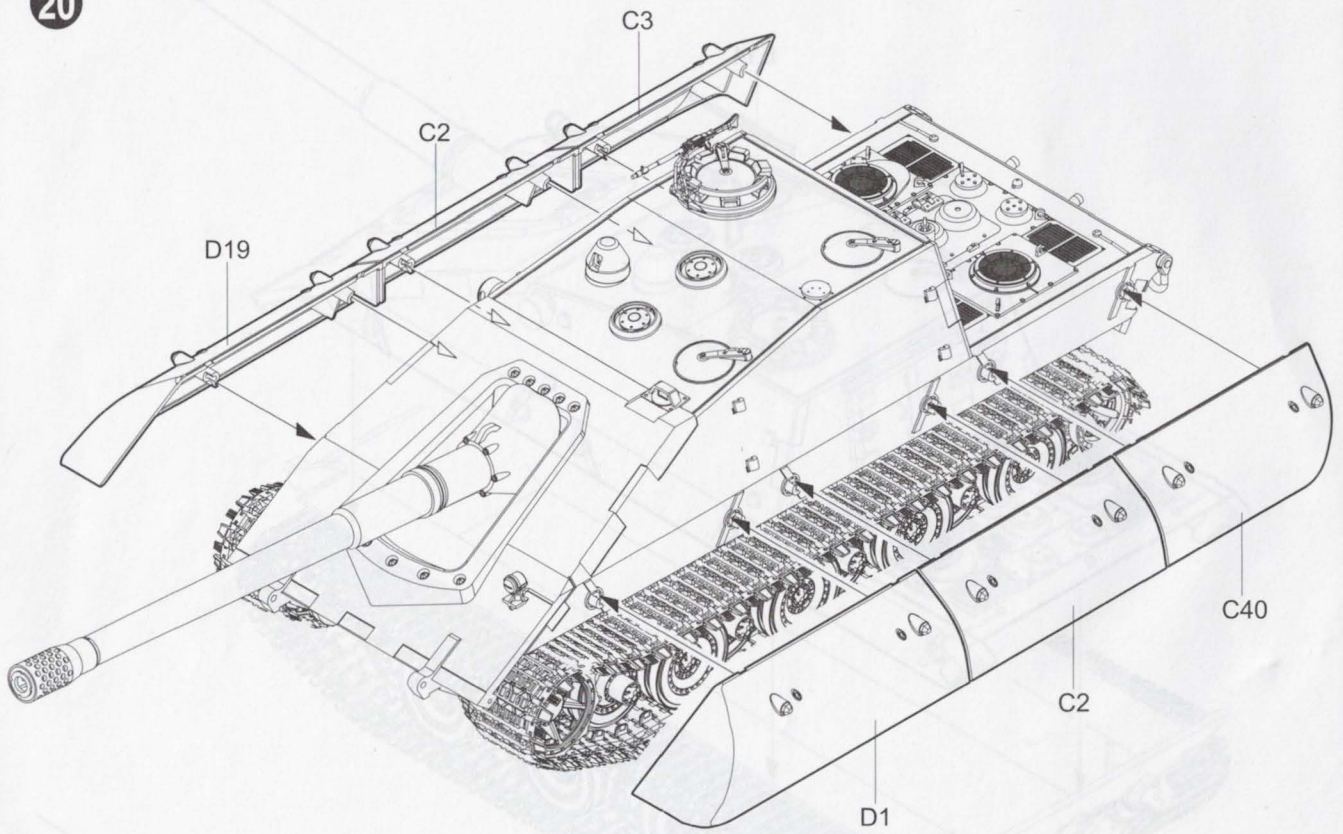
A4

不涂胶水  
No cement

A3

不涂胶水  
No cement

20



A3  
不涂胶水  
No cement

# 涂装同标贴指示

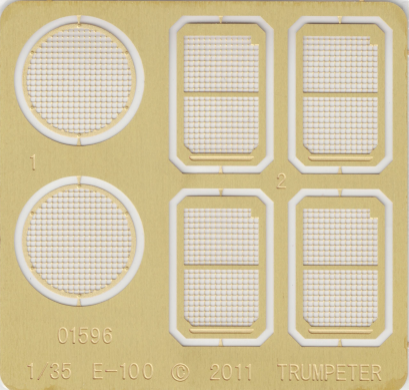
## Painting & Marking guide

### PAINT REFERENCE COLOUR

Color	Mr.Hobby	Vallejo	Model Master	Tamiya	Humbrol
Dark Yellow 暗黄	H 79 39	842	---	XF59	93
Wood Brown 木棕色	H 37 43	983	1701	---	186
Dark Green 暗绿	H 70	---	---	---	---
Steel 黑铁色	H 18 28	864	1402	---	---
Flat Black 消光黑	H 12 33	950	1749	XF1	33



H   AQUEOUS HOBBY COLOR    ■ Mr. COLOR



+

+

0 0 1 2 3 4 5 6 7 8 9

1

2

+

+

0 0 1 2 3 4 5 6 7 8 9

**01596 1/35 German Jagdpanzer E-100**

