

J-8F Finback

1/48 scale

歼-8F“长须鲸”战斗机

READ BEFORE ASSEMBLY:

- This kit is not recommended for inexperienced modelers or for children under 14 years of age
- Study and understand these instructions thoroughly before beginning assembly
- When needed, remove photo-etch parts carefully using a modeling knife or photo etch sprue cutter, being careful not to damage or lose small parts.
- Take extra care in handling photo etch parts in order to avoid injury
- Apply instant cement sparingly to photo etch parts where instructed

- Tools recommended(not included in kit):Plastic and instant cements,sprue cutters,long nose pliers,,modeling knife, small files, tweezers, pin vise & scissors. Soft cloth and sandpaper will also assist in construction
- Glue and paint are not included in the kit. Use plastic cement and hobby paints only. Color guide for purchasing paint is included in the kit.
- Keep out of reach of small children. They must not be allowed to ingest small parts or handle plastic bags in any way.

装配之前仔细阅读

- 小心用模型锉刀锉平所有零件表面的注射浇口。
- 小心用刀片切下蚀刻片零件，不要遗失小零件。
- 用强力快干胶水粘合蚀刻片零件和金属轴。过量的快干胶水使用可能导致可动零件会粘住，小心涂胶。
- 取蚀刻片时应特别注意安全，防止利边划伤手指。
- 某些零件表面需贴水贴纸，请选择在装配的同时进行。
- 推荐模型工具(自备)：胶水，水口剪刀，长咀钳，刀片，锉刀，镊子钳，钻，剪刀，瞬间快干胶。
- 软布同砂纸同时也应该是必备工具。
- 请使用塑料胶水和油漆，模型内不含。
- 谨防小孩吸吮塑料零件，或者将塑料袋套在头上，制作时应将套材远离小孩接触。
- 本产品不适合14岁以下没有经验的模型爱好者。

水贴纸的使用:

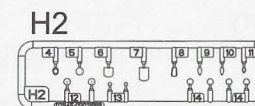
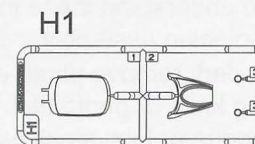
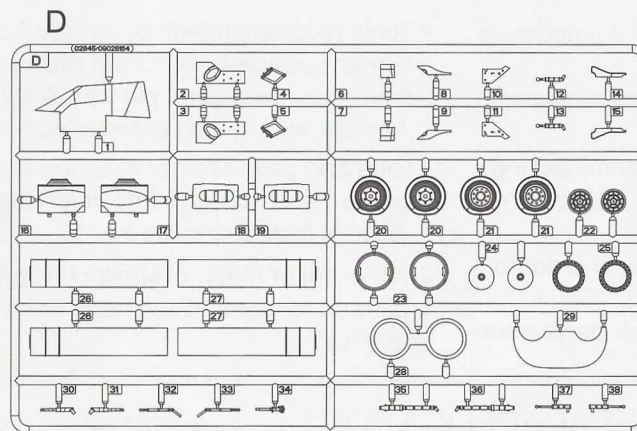
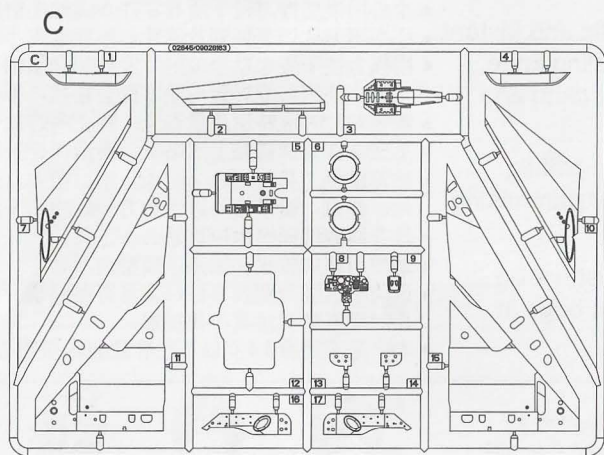
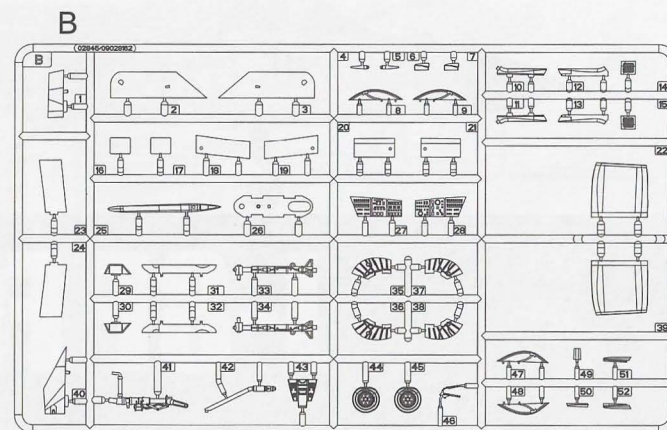
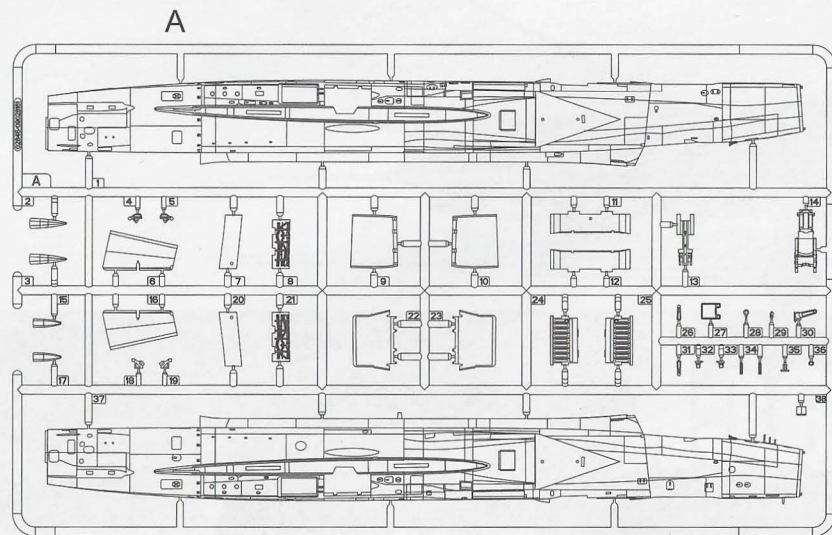
1. 从水贴纸上剪下印花;
2. 将印花放入温水中浸10秒，然后放在干净布上。
3. 拿着印花纸板将印花移到模型上;
4. 手指蘸水将印花移到适当的位置;
5. 用软布轻压印花直至水干，气泡消失。

DECAL APPLICATION:

1. Cut decals from sheet as needed
2. Dip the decal in warm water for about 10 seconds and then place on soft clean cloth.
3. Hold the decal backing sheet edge and gently slide the decal onto the model in its proper position.
4. While still wet, decal can be adjusted for better fit on model by dampening it gently with your finger.
5. When placed in the proper position, gently press decal down with a soft cloth until excess water and air bubbles are gone.
6. Allow decal to dry completely before handling model

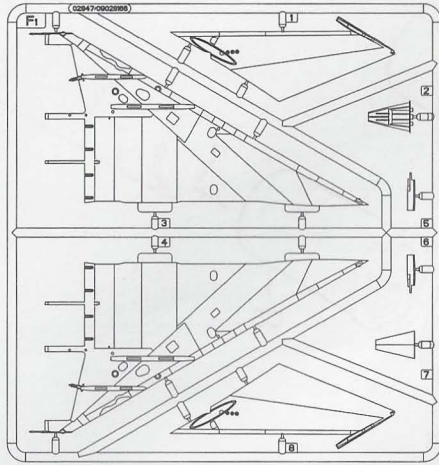


部品图 Parts

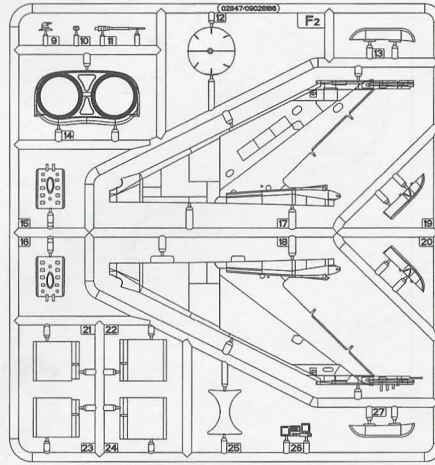


部品图 Parts

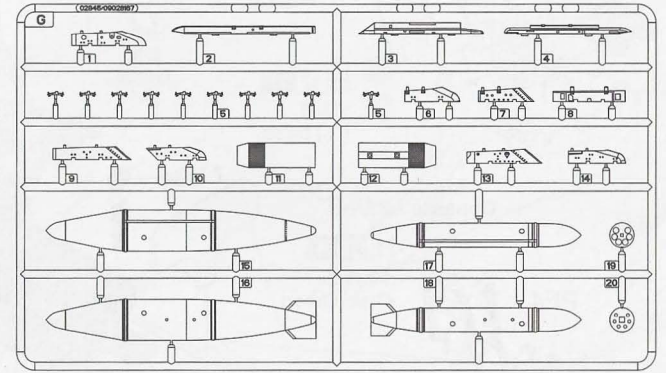
F1



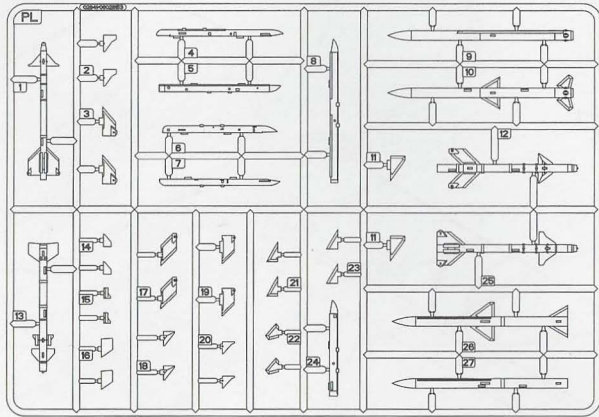
F2



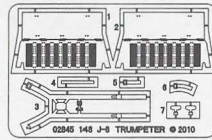
G×2



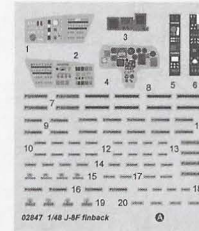
PL×2



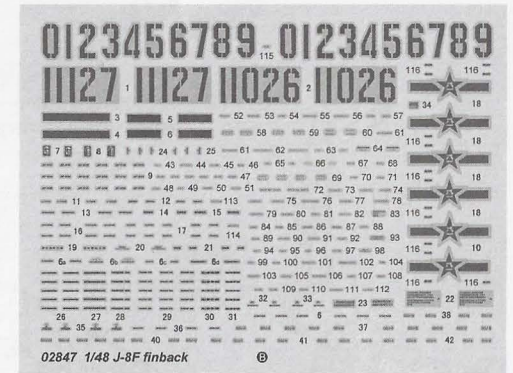
《蚀刻片》
Photo etched part (PE)



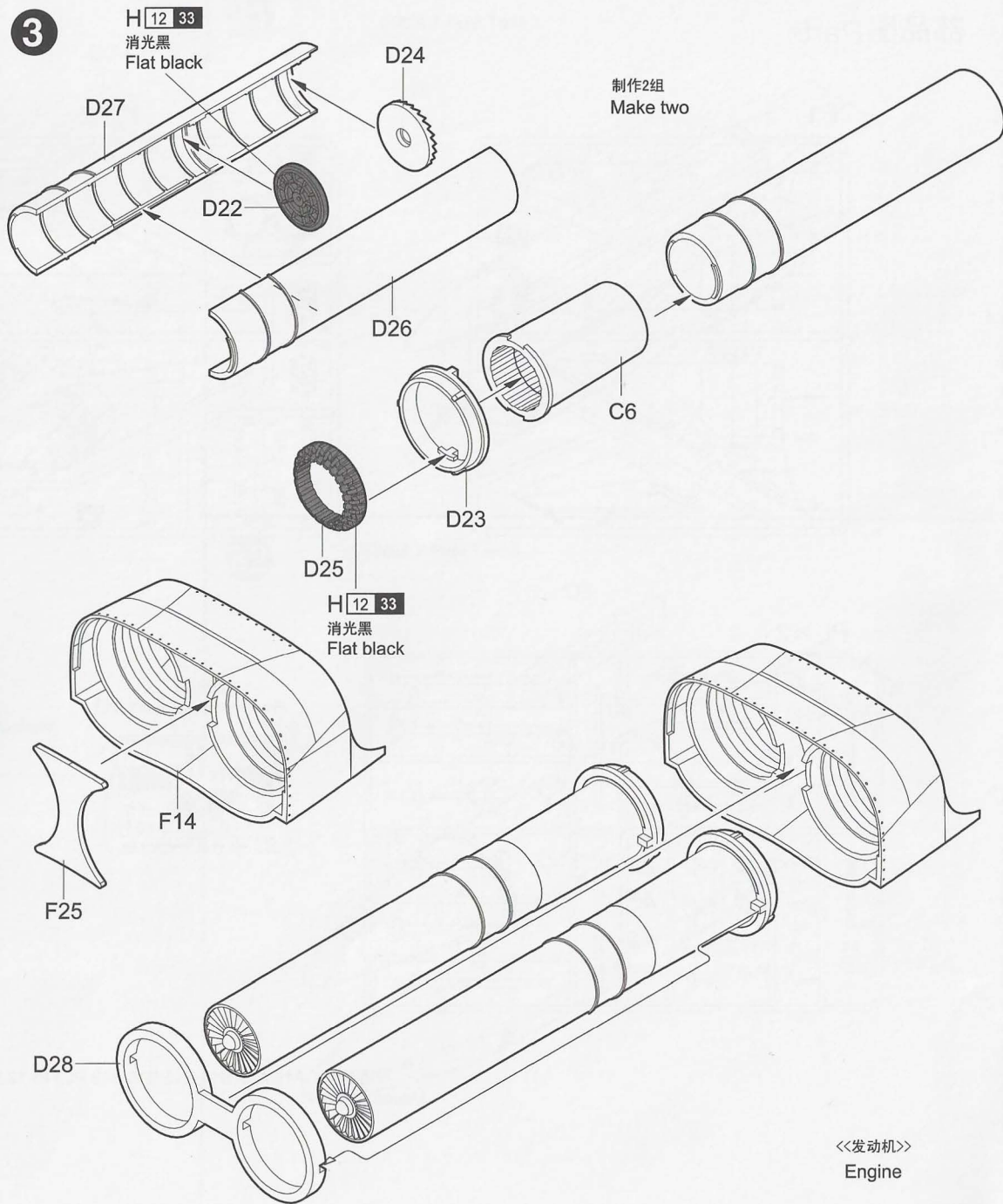
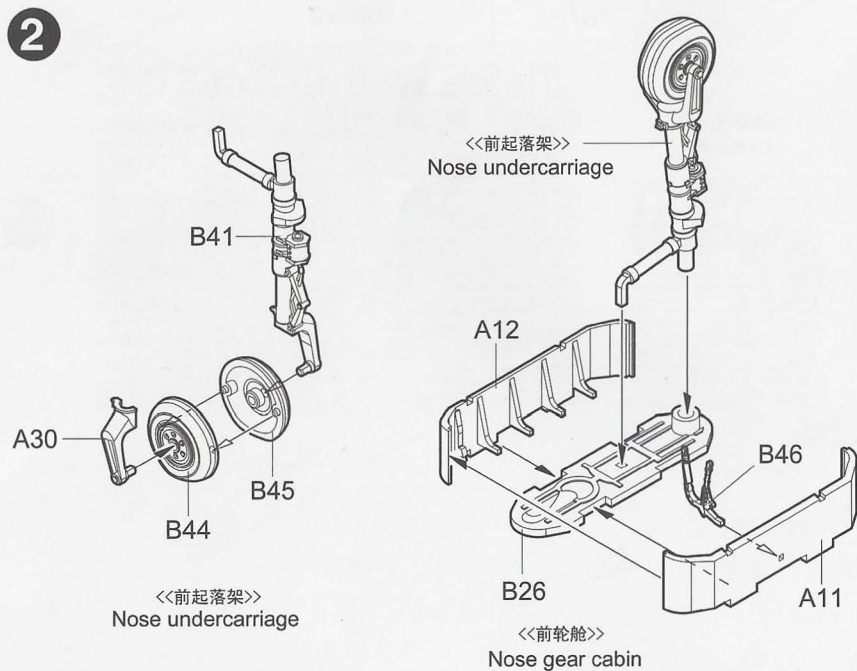
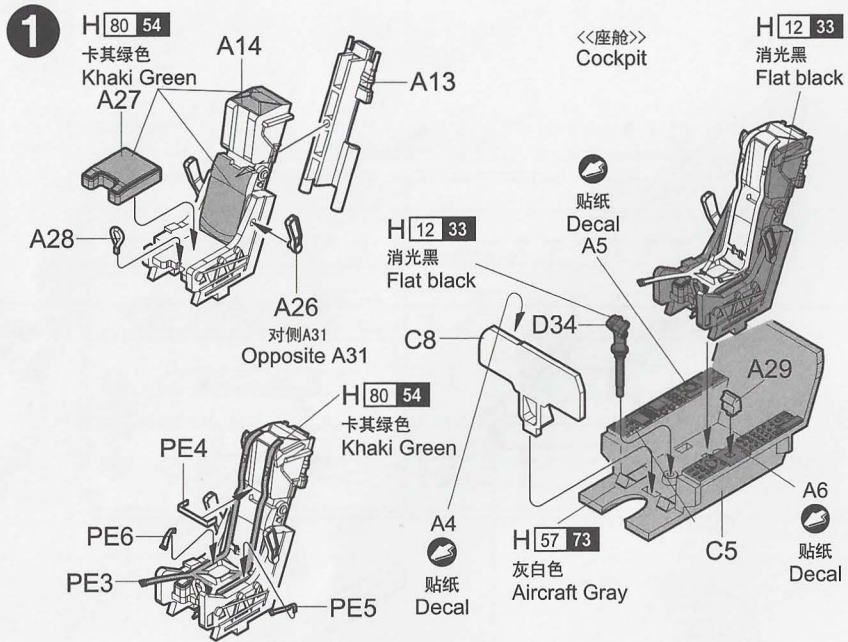
《水贴纸 A》
Decal A



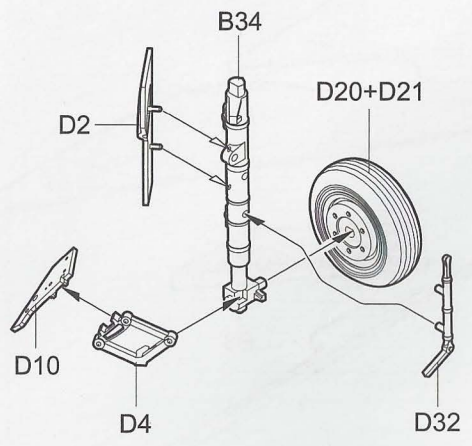
《水贴纸 B》
Decal B



不用部件: A18 A19 B14 B15 B18 B19 PL6 PL13 PL14 PL15 PL16 H12
Unused parts

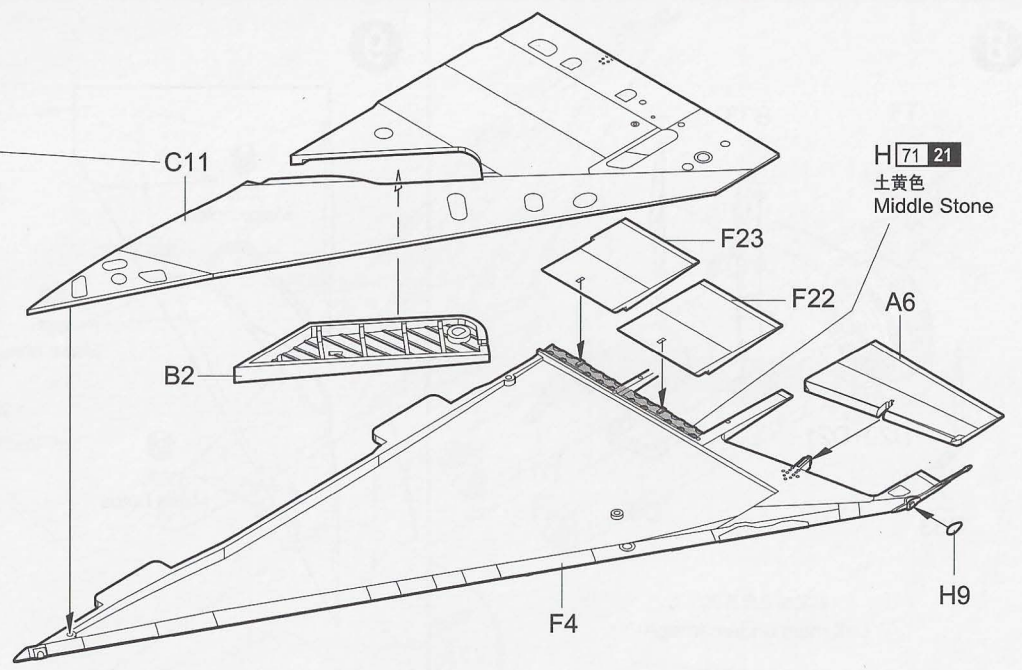
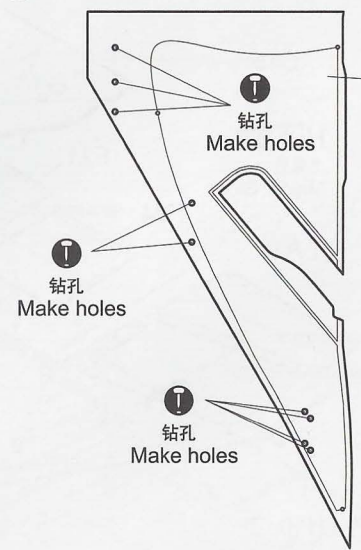


4



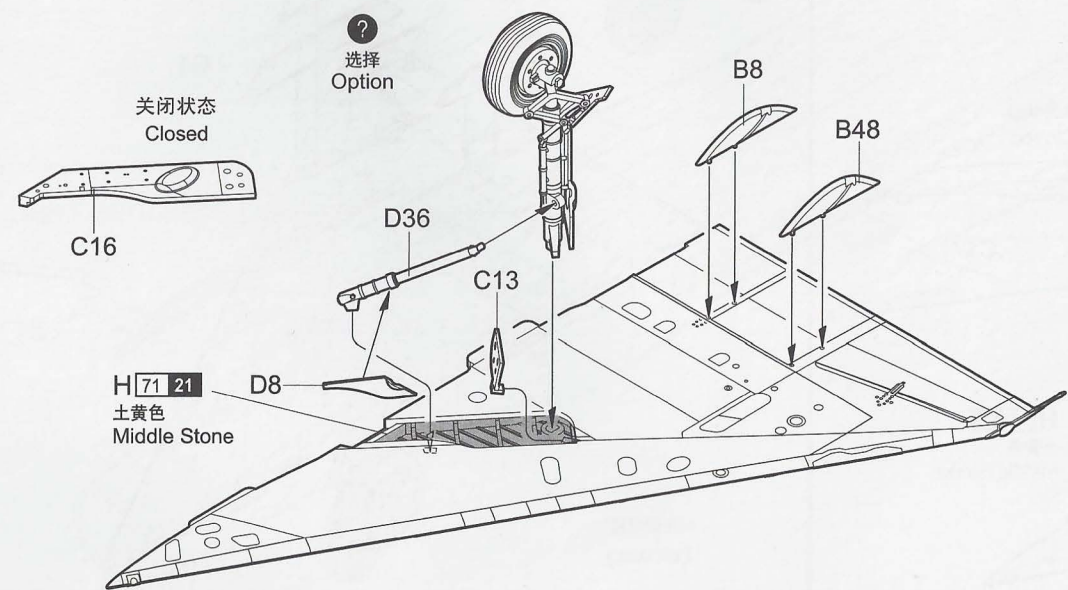
《《右侧主起落架》》
Right main undercarriage

5

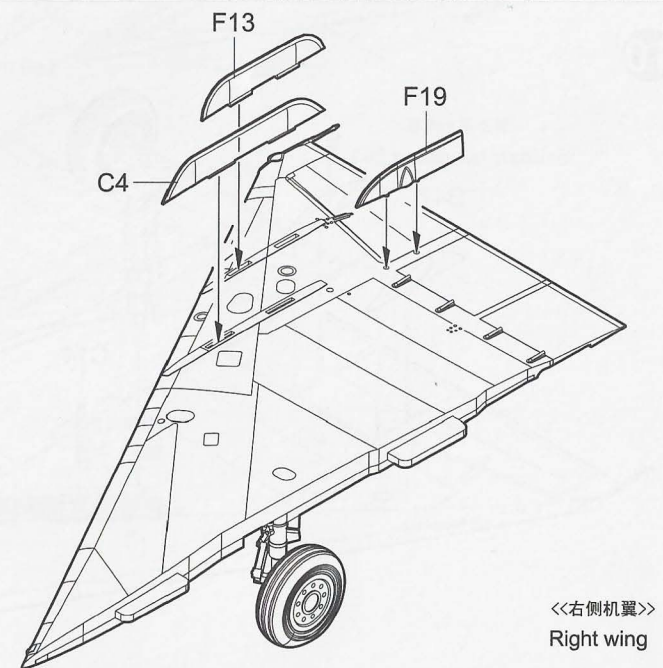


6

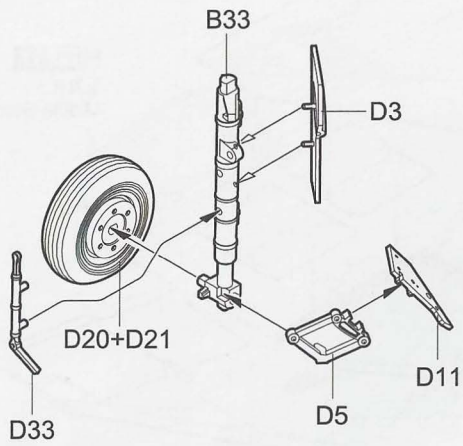
《《右侧主起落架》》
Right main undercarriage



7

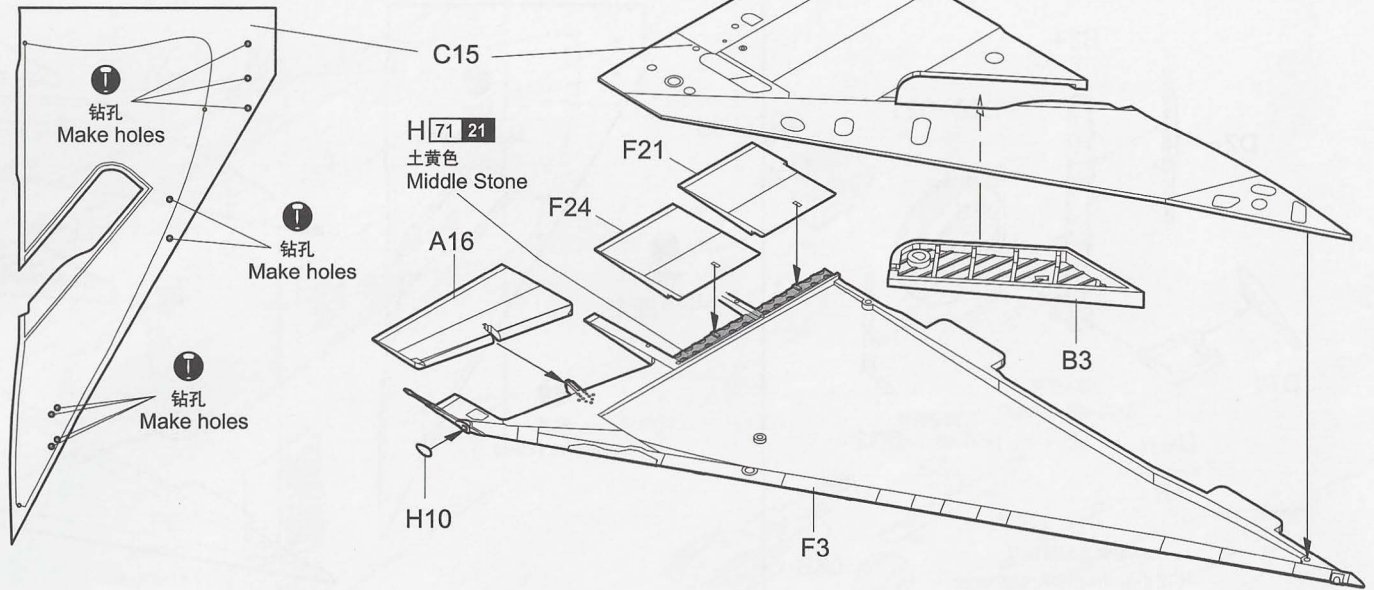


8



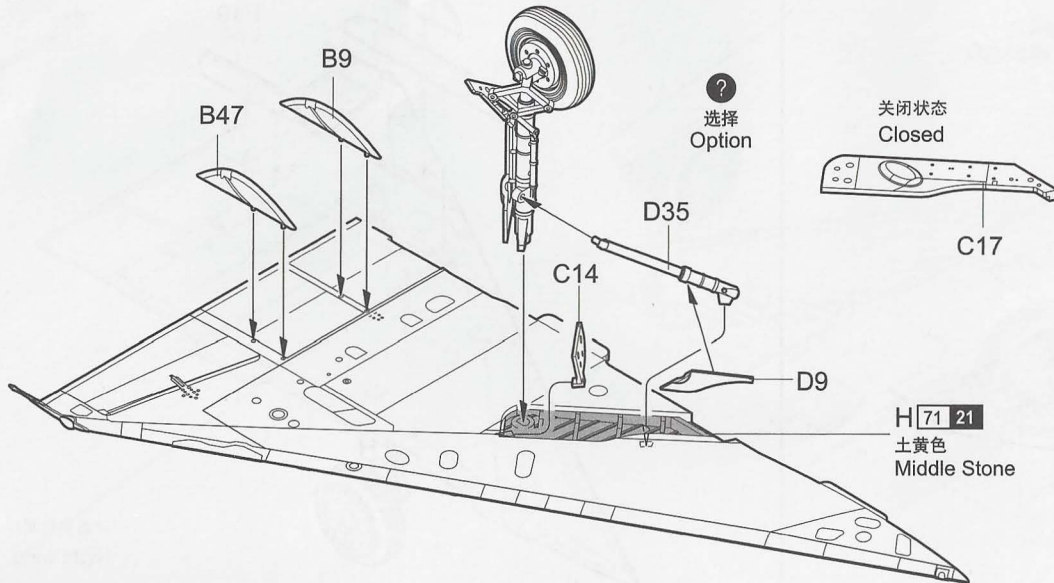
《《左侧主起落架》》
Left main undercarriage

9

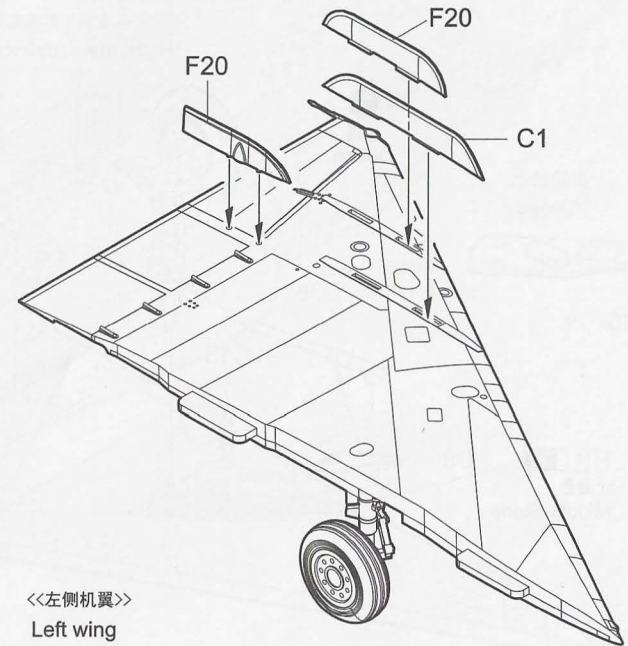


10

《《左侧主起落架》》
Left main undercarriage

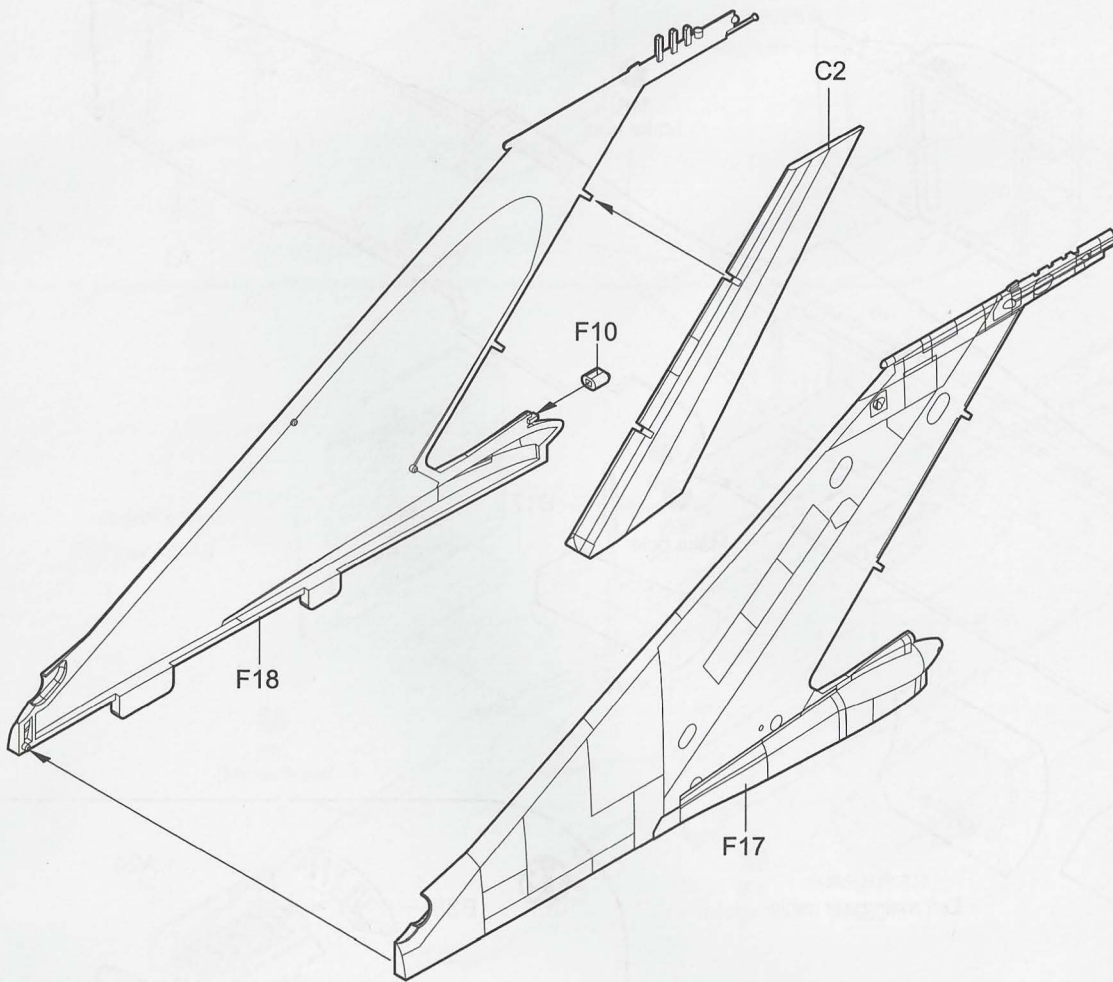


11



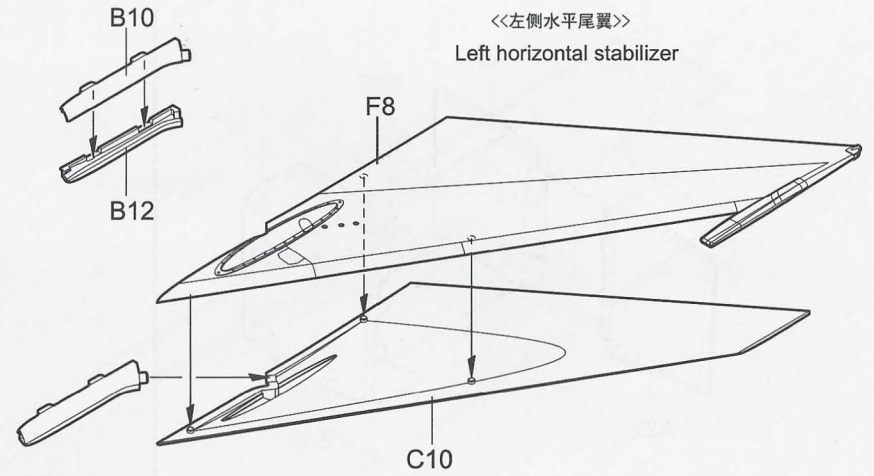
《《左侧机翼》》
Left wing

12



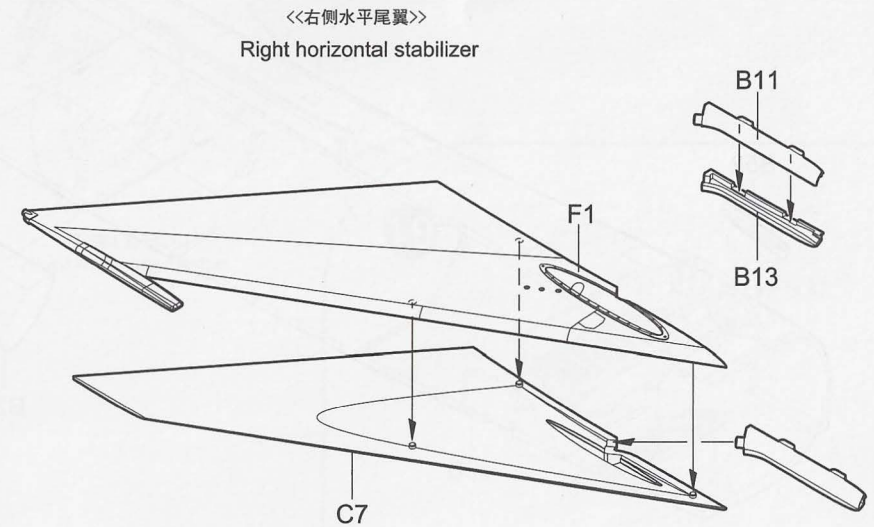
《垂直尾翼》
Vertical stabilizer

13



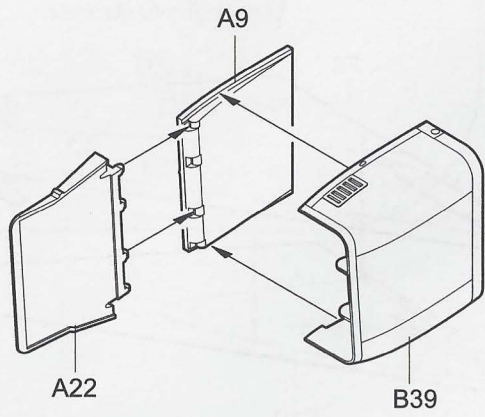
《左側水平尾翼》
Left horizontal stabilizer

14



《右側水平尾翼》
Right horizontal stabilizer

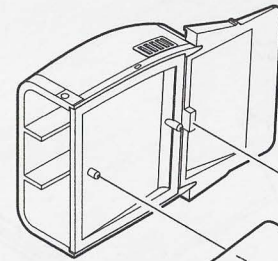
15



<<左侧进气道>>
Left air intake

17

<<左侧进气道>>
Left air intake



①
钻孔
Make hole

F9

A1

①
钻孔
Make hole

B17

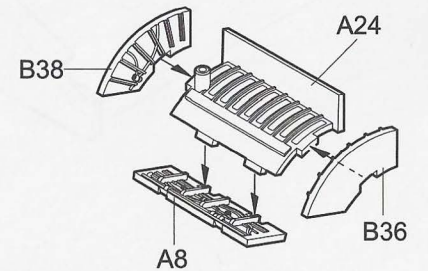
A7

B52

<<左侧主轮舱>>
Left main gear cabin

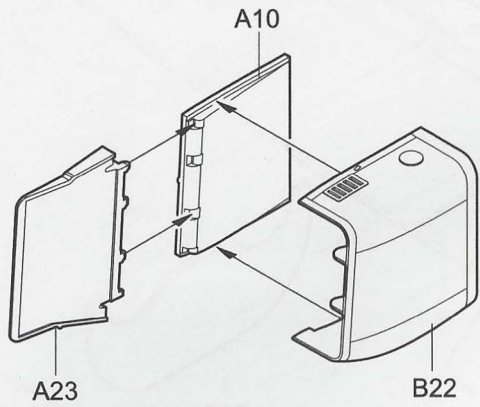
B20

16



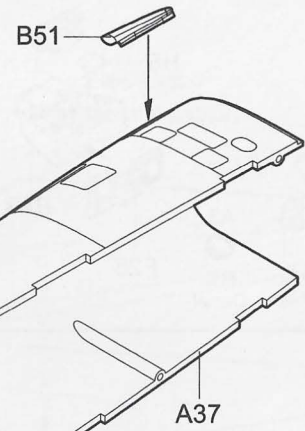
<<左侧主轮舱>>
Left main gear cabin

18



«右侧进气道»
Right air intake

20



«右侧主轮舱»
Right main gear cabin

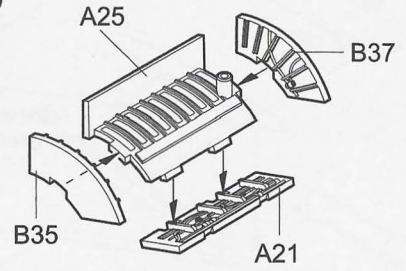
«右侧进气道»
Right air intake

Ⓜ
钻孔
Make hole

Ⓜ
钻孔
Make holes

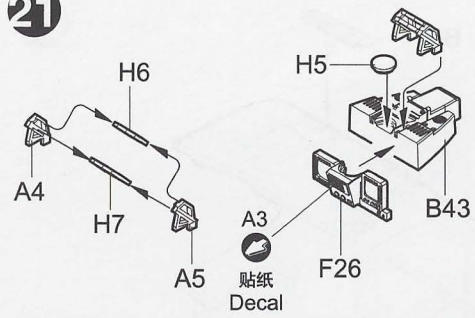
Ⓜ
钻孔
Make hole

19

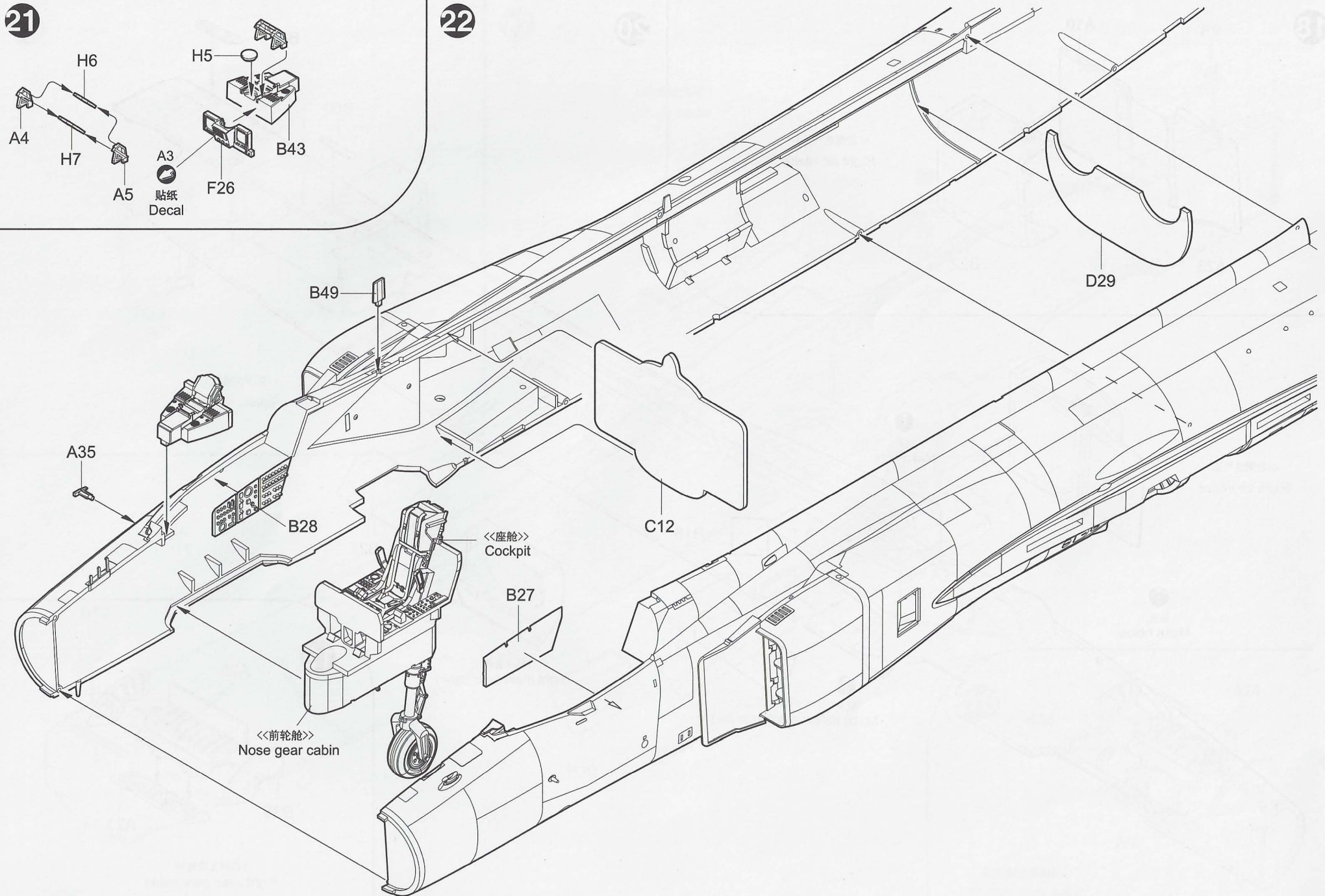


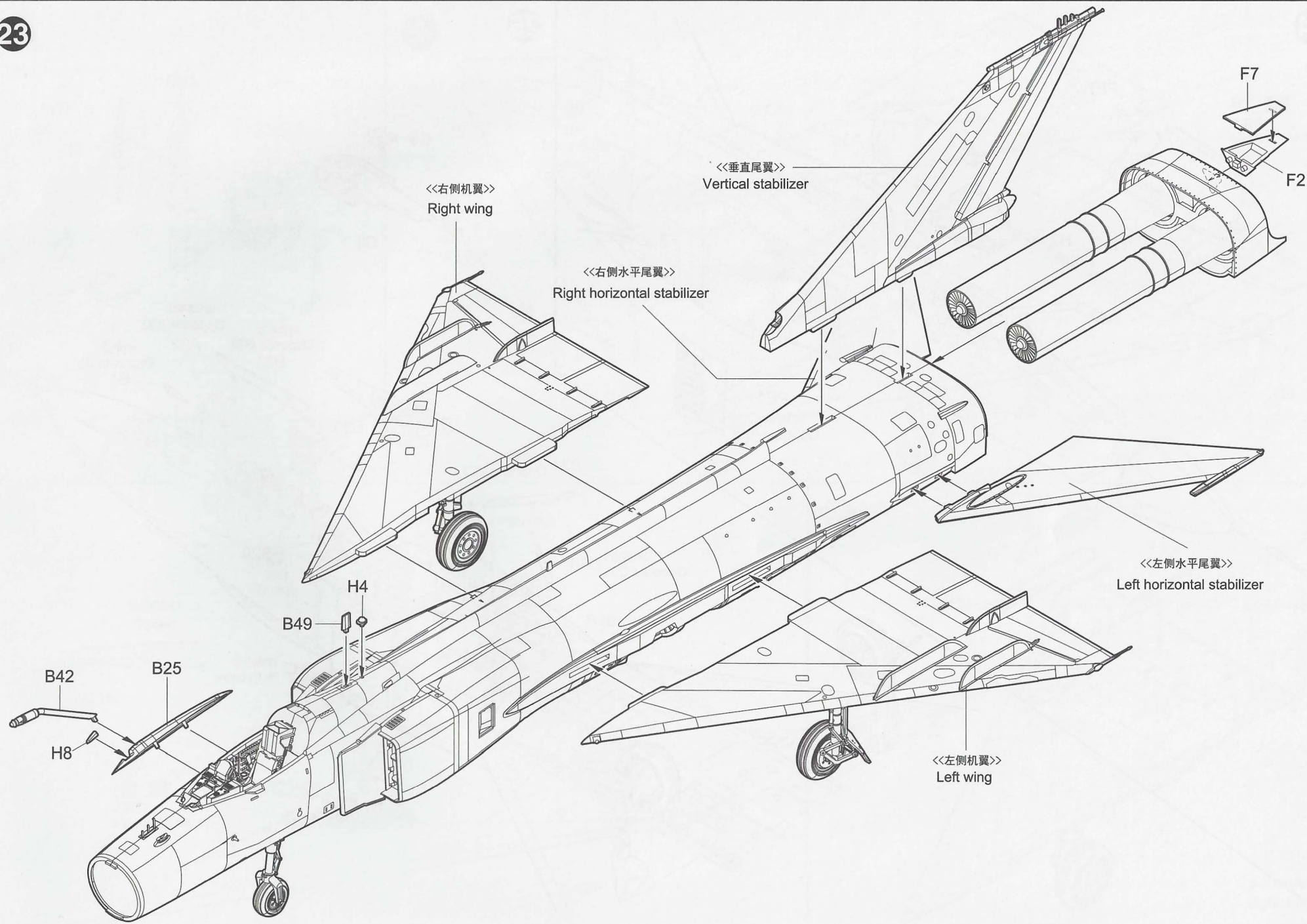
«右侧主轮舱»
Right main gear cabin

21

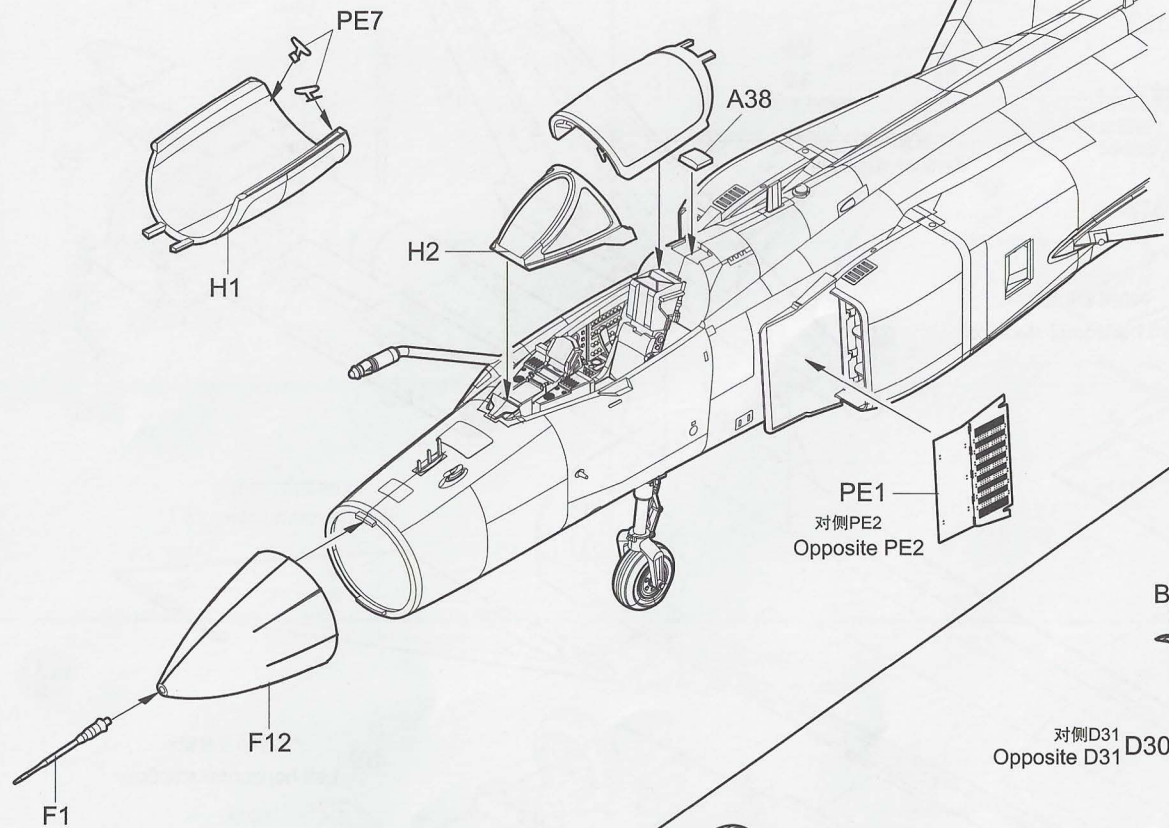


22

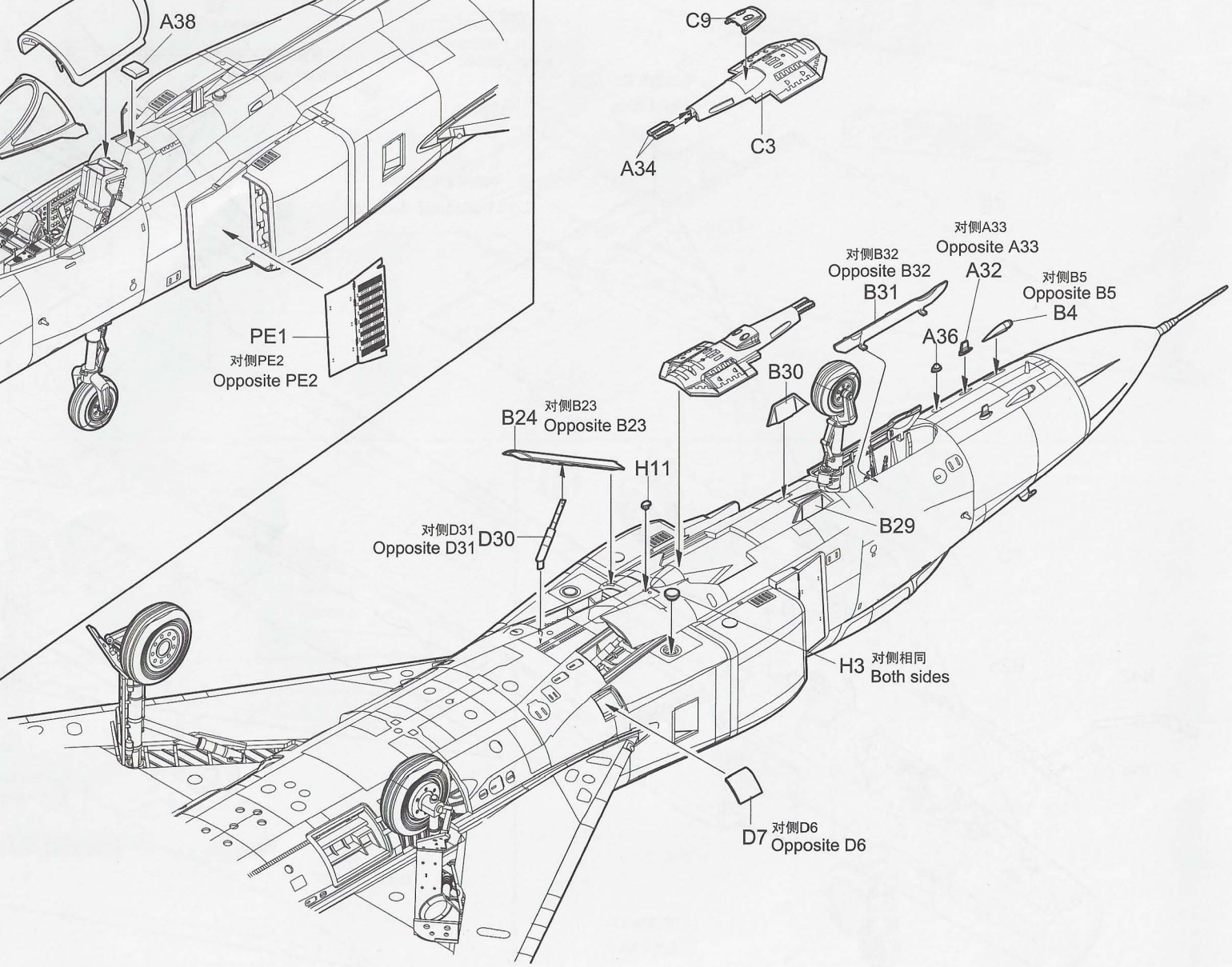




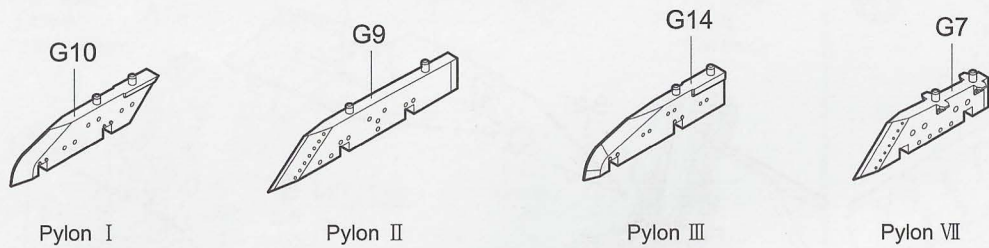
24



25

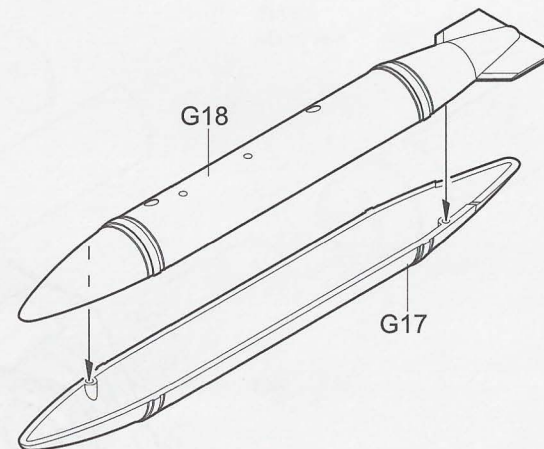


27

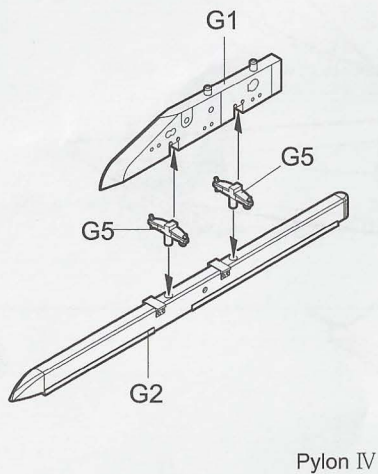


31

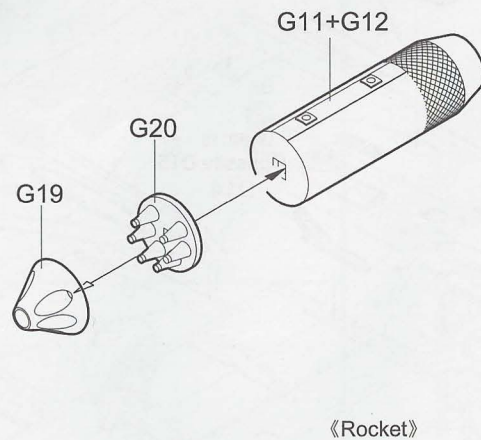
«480LT Fuel Tank»



28

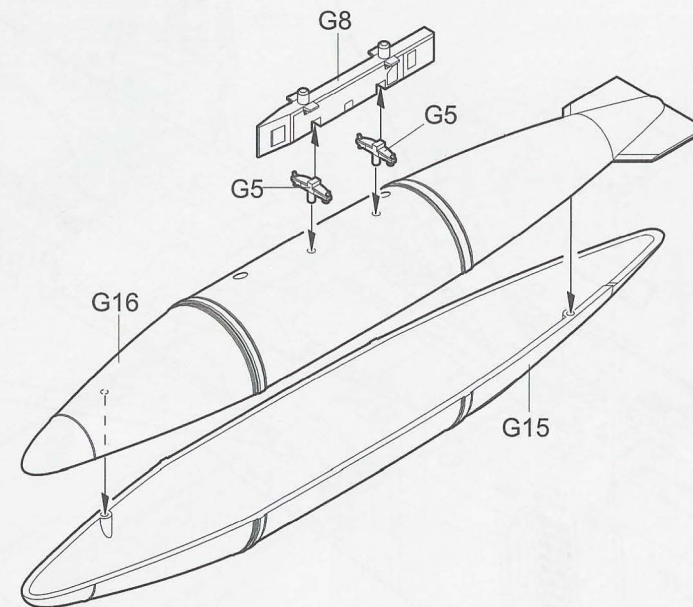


29

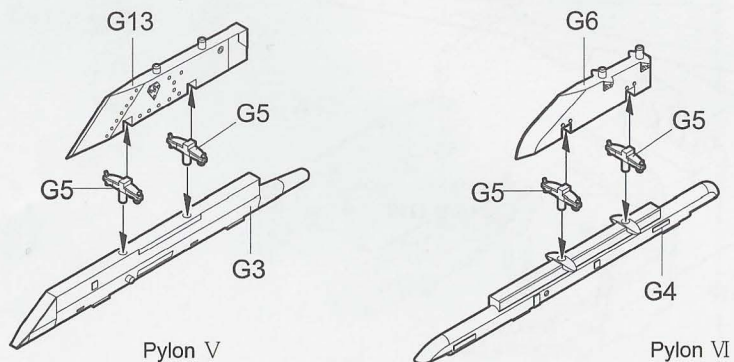


32

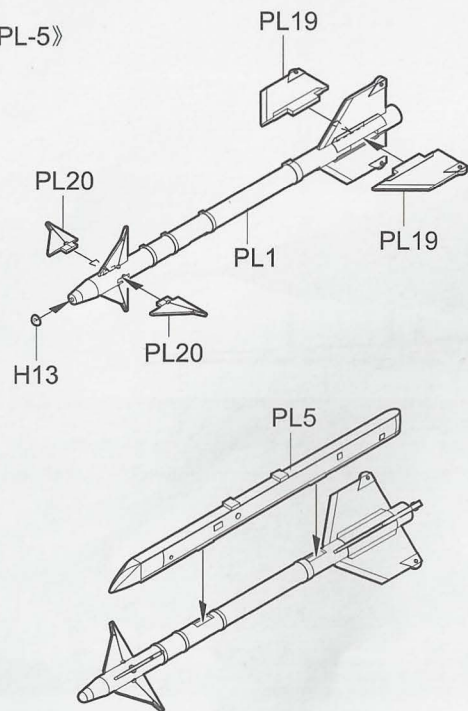
«800LT Fuel Tank»



30

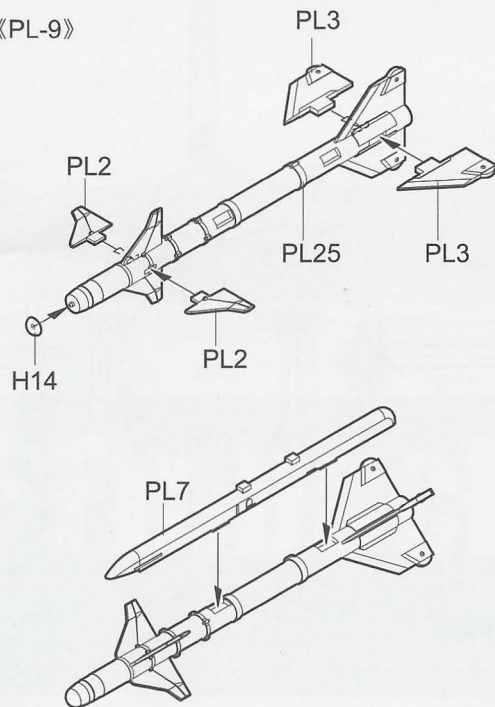


33 《PL-5》



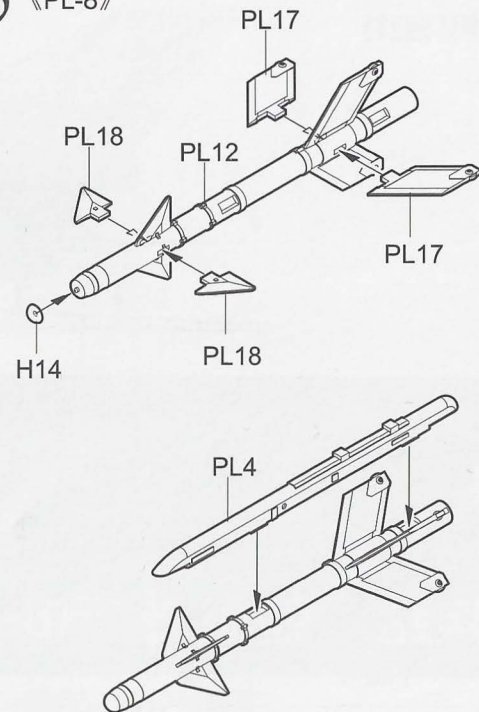
制作2组
Make two

34 《PL-9》



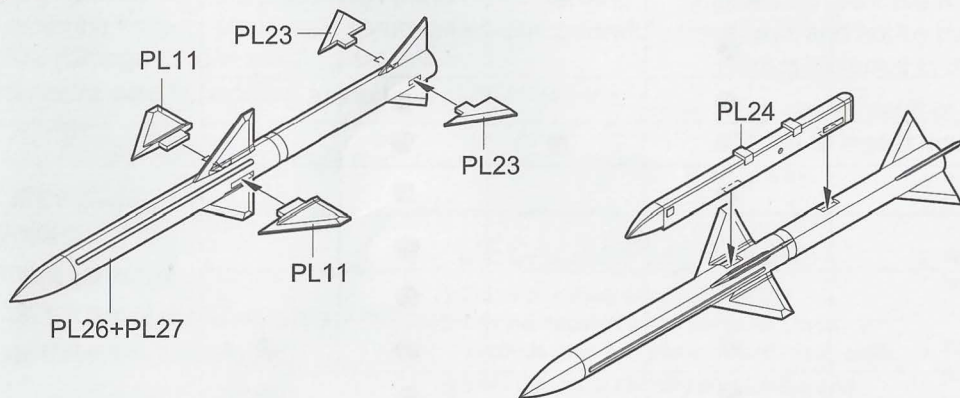
制作2组
Make two

35 《PL-8》



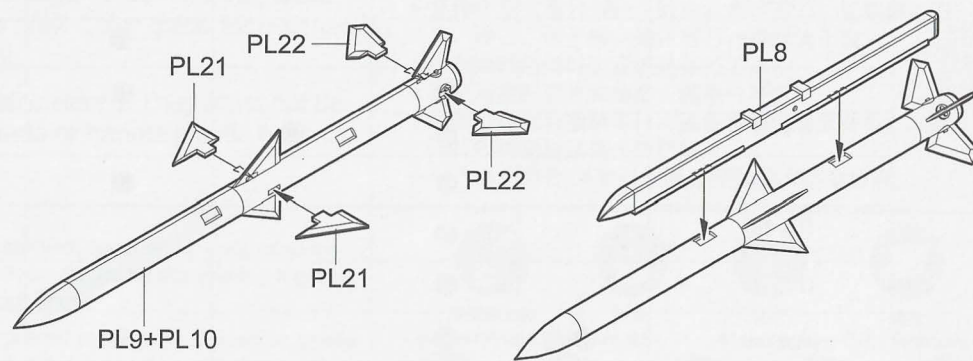
制作2组
Make two

36 《PL-11》

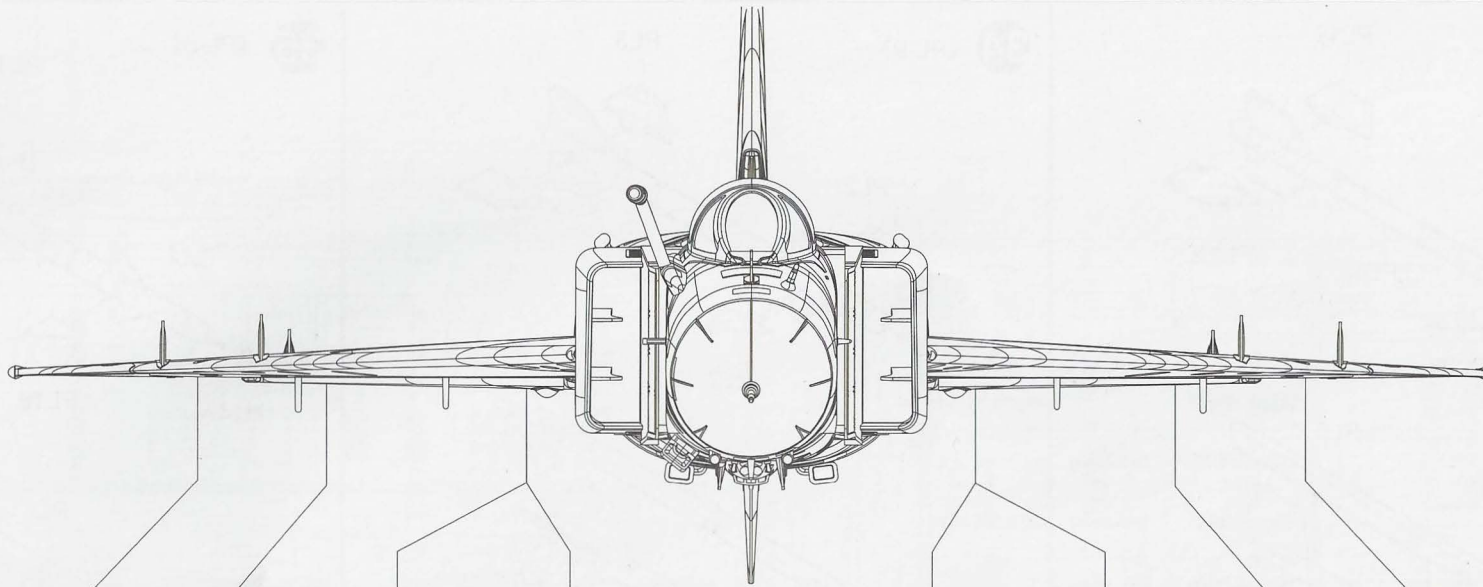


制作2组
Make two

37 《PL-12》



制作2组
Make two



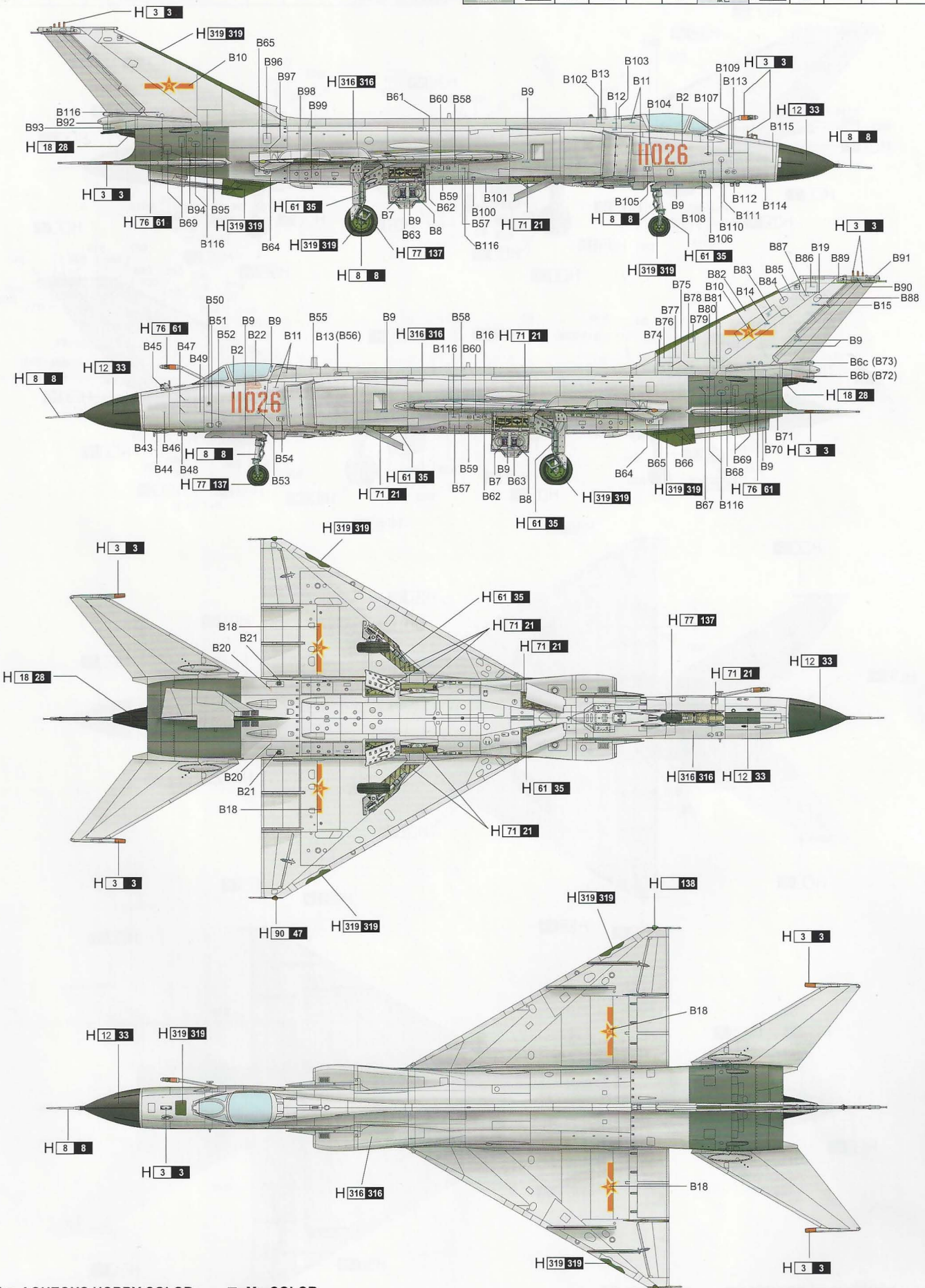
Sta.No.	1	2	3	4	5	6	7	8	9
Pylon I	●								●
Pylon II	●								●
Pylon III	●								●
Pylon IV		●						●	
Pylon V		●						●	
Pylon VI			●				●		
Pylon VII				●		●			
《PL-5》		●		●		●		●	
《PL-8》		●	●				●	●	
《PL-9》		●		●		●		●	
《PL-11》		●						●	
《PL-12》		●						●	
《Rocket》	●	●		●		●		●	●
《480LT Fuel Tank》	●	●		●		●		●	●
《800LT Fuel Tank》					●				

涂装同标贴指示 Painting & Marking guide

A

PAINT REFERENCE COLOUR

Color	Mr.Hobby	Vallejo	Model Master	Tamiya	Humbrol	Color	Mr.Hobby	Vallejo	Model Master	Tamiya	Humbrol
Clear Red 透明红	H[90 47]	934	-	X27	-	Tire Black 轮胎黑	H[77 137]	-	-	-	-
RED 正色	H[3 3]	908	1503	X7	19	White Insignia 白色	H[316 316]	991	1745	X2	22
Stone/Metal Black 灰黑色	H[18 28]	864	1402	-	-	Light Green 浅绿色	H[319 319]	-	1731	-	117
Burnt Iron 烧铁色	H[76 61]	863	1795	X10	53	Middle Stone 中灰色	H[71 21]	821	-	-	84
Clear Green 透明绿	H[138]	936	-	X25	-	Flat Black 消光黑	H[12 33]	887	1711	XF82	155
Aircraft Gray 航空灰	H[51 35]	907	1731	-	146	Silver 银色	H[8 8]	997	1546	X11	11



H[] AQUEOUS HOBBY COLOR ■ Mr. COLOR

