

Italian Navy Battleship RN Roma 1943

意大利海军罗马号战列舰

READ BEFORE ASSEMBLY:

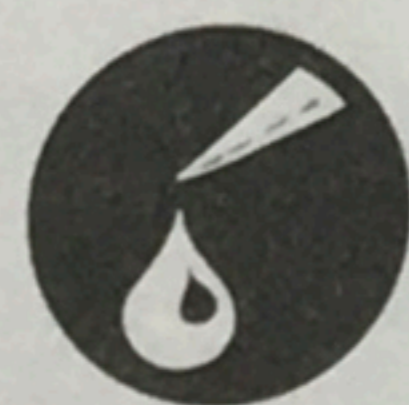
- Study and understand these instructions thoroughly before beginning assembly
- When needed, remove photo-etch parts carefully using a modeling knife or photo etch sprue cutter, being careful not to damage or lose small parts.
- Take extra care in handling photo etch parts in order to avoid injury
- Apply instant cement sparingly to photo etch parts where instructed
- Tools recommended(not included in kit):Plastic and instant cements, sprue cutters,long nose pliers,modeling knife, small files, tweezers, pin vise & scissors. Soft cloth and sandpaper will also assist in construction
- Glue and paint are not included in the kit. Use plastic cement and hobby paints only. Color guide for purchasing paint is included in the kit.

装配之前仔细阅读

- 小心用模型锉刀锉平所有零件表面的注射浇口。
- 小心用刀片切下蚀刻片零件，不要遗失小零件。
- 用强力快干胶水粘合蚀刻片零件和金属轴。过量快干胶水使用可能导致可动零件会粘住，小心涂胶。
- 取蚀刻片时应特别注意安全，防止利边划伤手指。
- 某些零件表面需贴上水贴纸，请选择在装配的同时进行。
- 推荐模型工具(自备)：胶水，水口剪刀，长咀钳，刀片，锉刀，镊子，钳，钻，剪刀，瞬间快干胶。
- 软布同砂纸同时也应该是必备工具。
- 请使用塑料胶水和油漆，模型内不含。



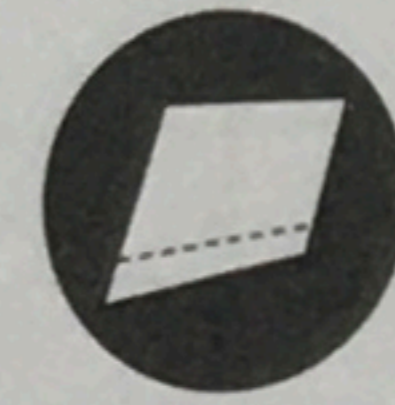
配重
Weight



使用强力胶
Cyanoacrylate glue



钻孔
Make hole



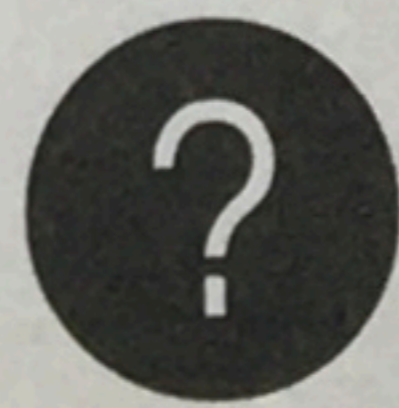
切除
Cut / Remove



贴纸
Decal



锉平
File / Sand



选择
Option



不涂胶水
No cement



弯曲
Bend

水贴纸的使用:

- 1.从水贴纸上剪下印花;
- 2.将印花放入温水中浸10秒, 然后放在干净布上。
- 3.拿着印花纸板将印花移到模型上;
- 4.手指蘸水将印花移到适当的位置;
- 5.用软布轻压印花直至水干, 气泡消失

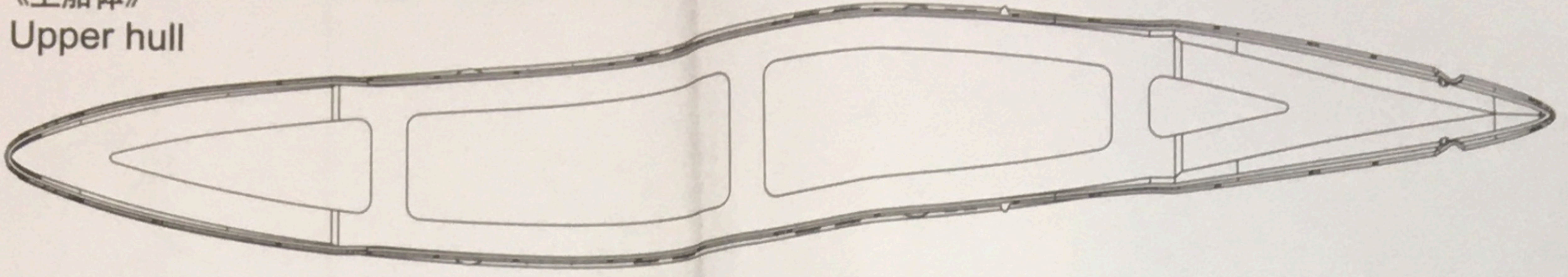
DECAL APPLICATION

- 1.Cut decals from sheet as needed
- 2.Dip the decal in warm water for about 10 seconds and then place on soft clean cloth.
- 3.Hold the decal backing sheet edge and gently slide the decal onto the model in its proper position.

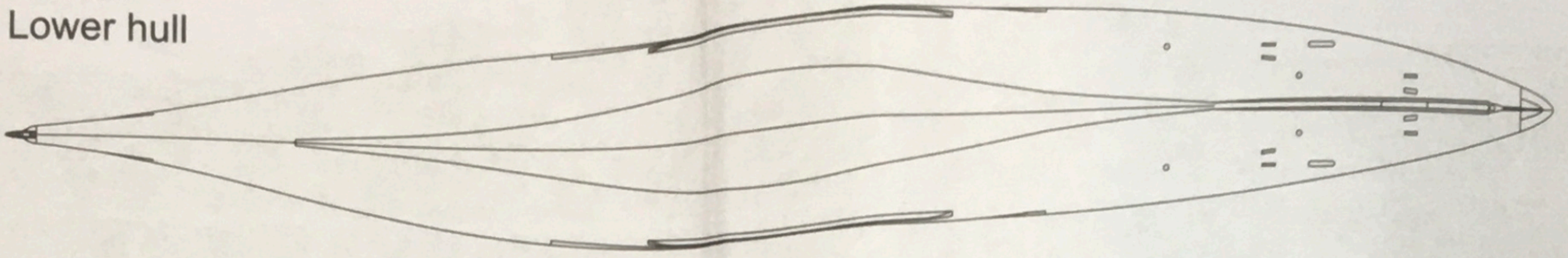
- 4.While still wet,decal can be adjusted for better fit on model by dampening it gently with your finger.
- 5.When placed in the proper position,gently press decal down with a soft cloth until excess water and air bubbles are gone.
- 6.Allow decal to dry completely before handling model

部品图
Parts

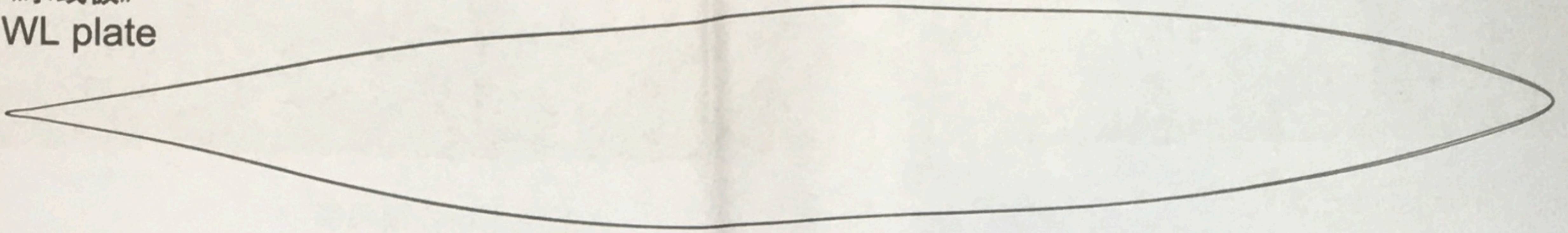
《上船体》
Upper hull



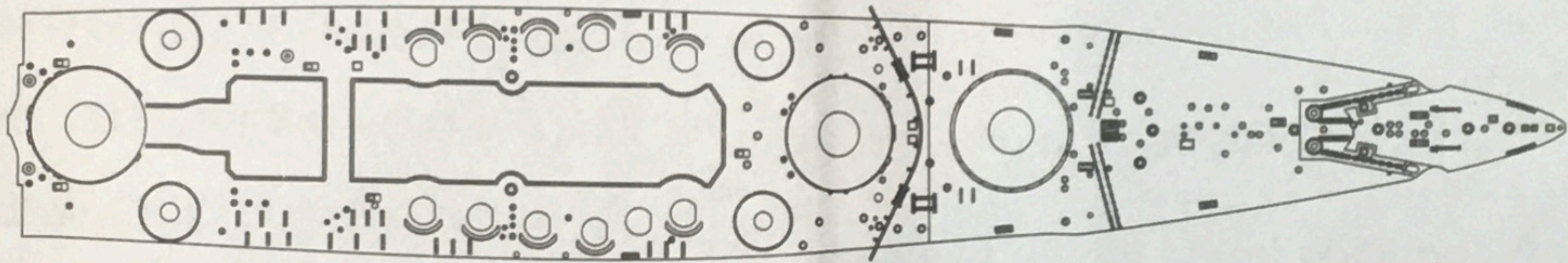
《下船底》
Lower hull



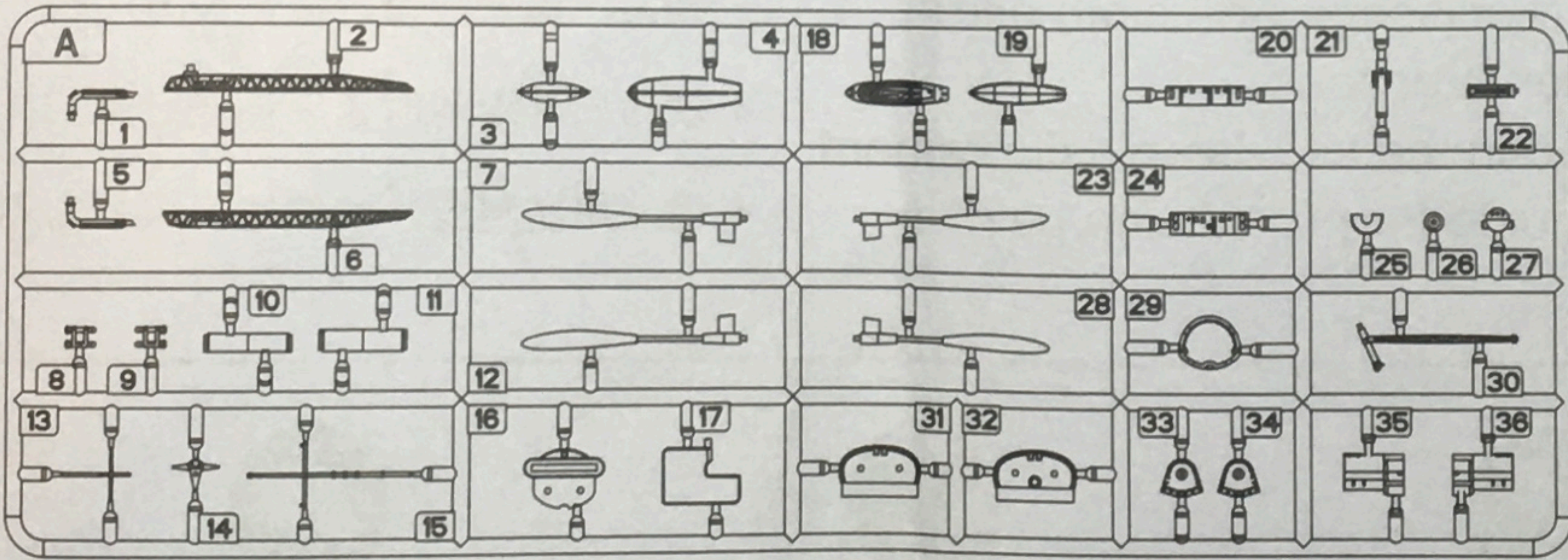
《水线板》
WL plate



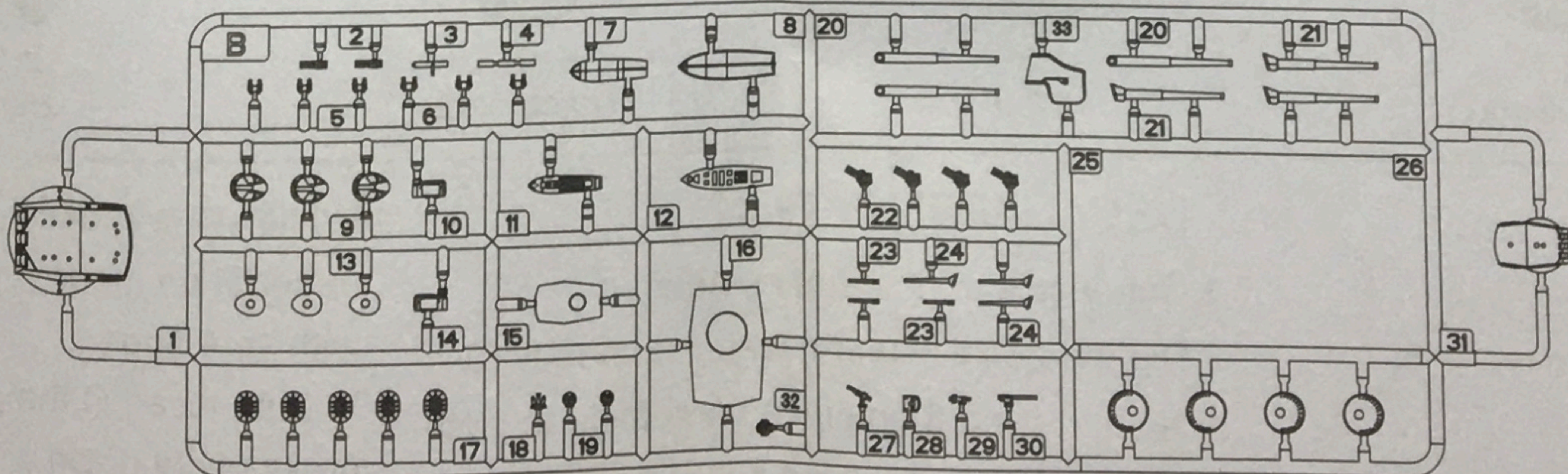
《前甲板》
Fore deck



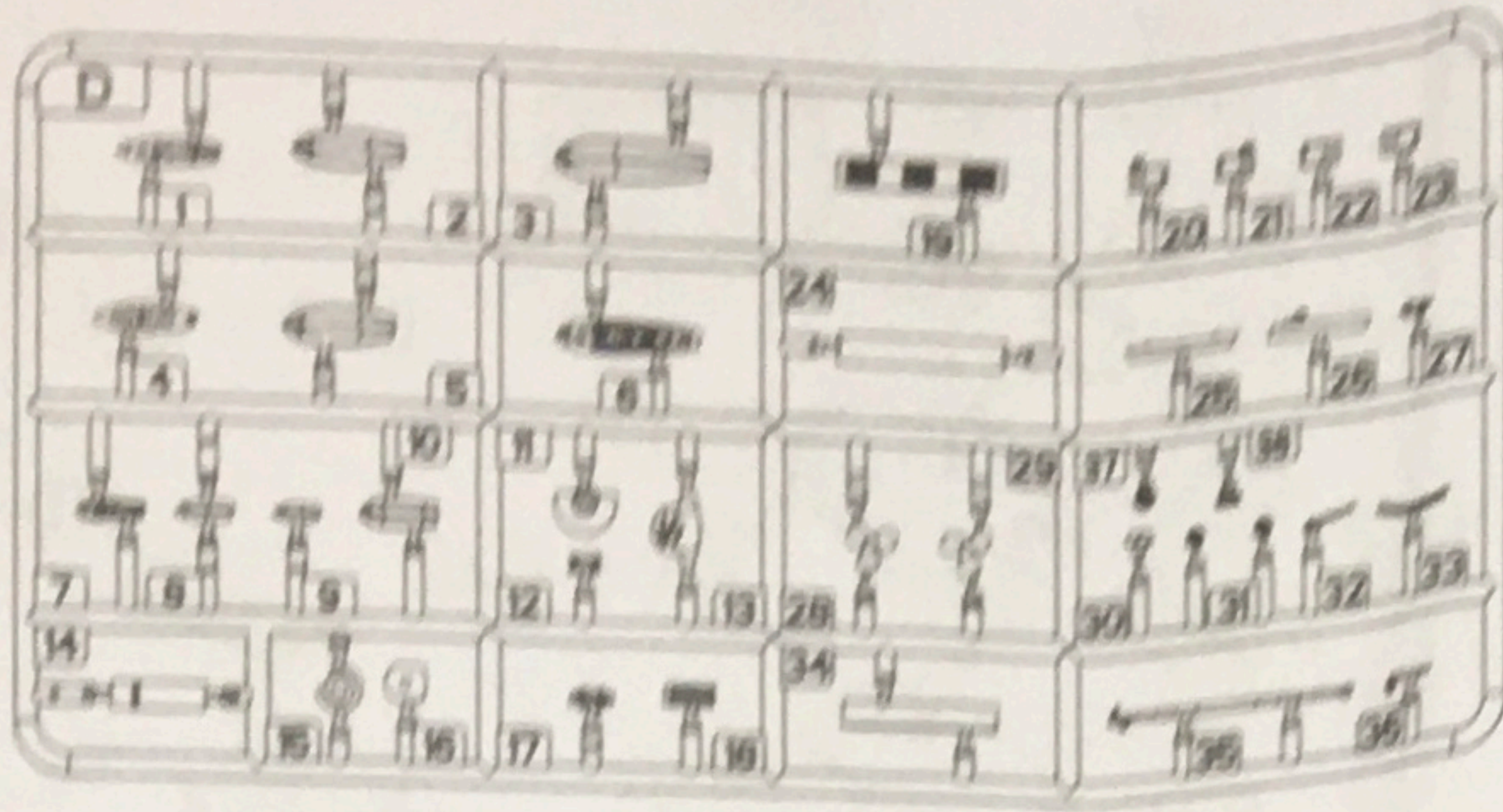
A



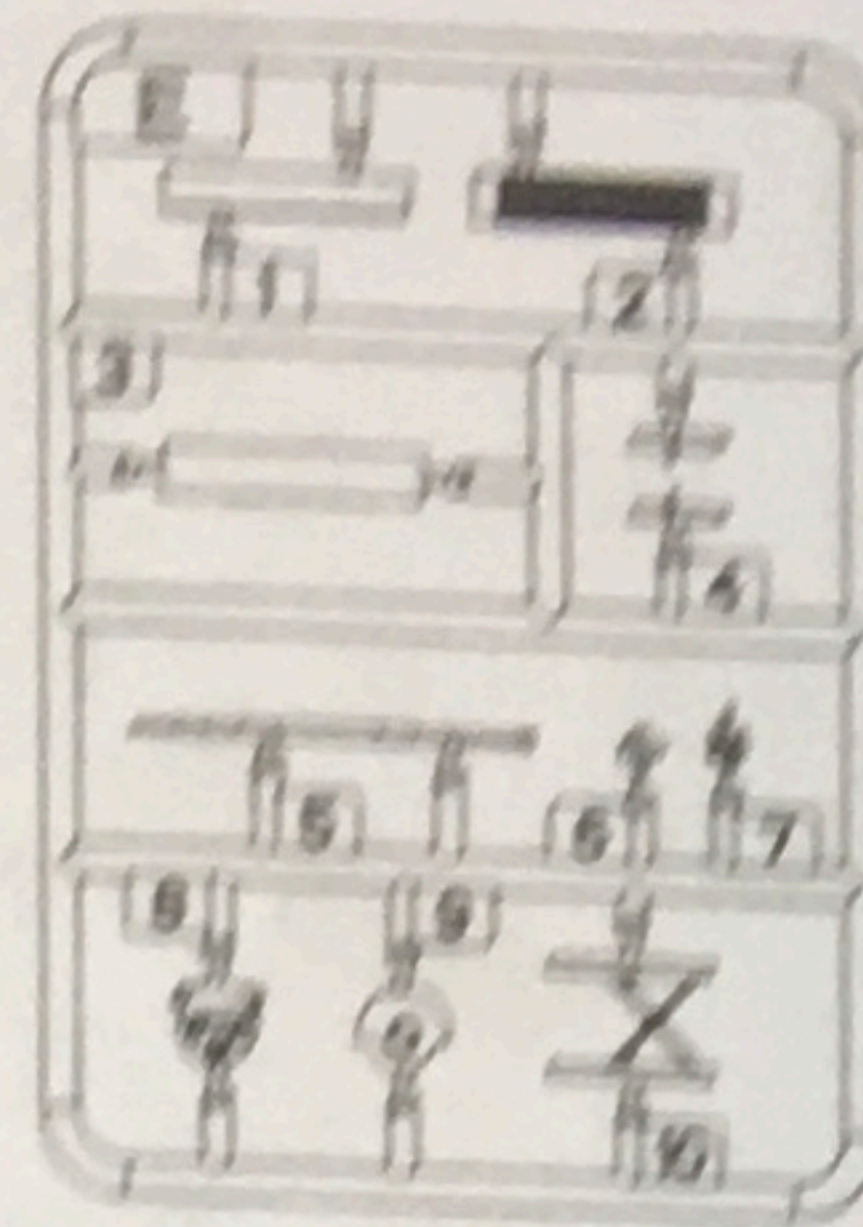
BX4



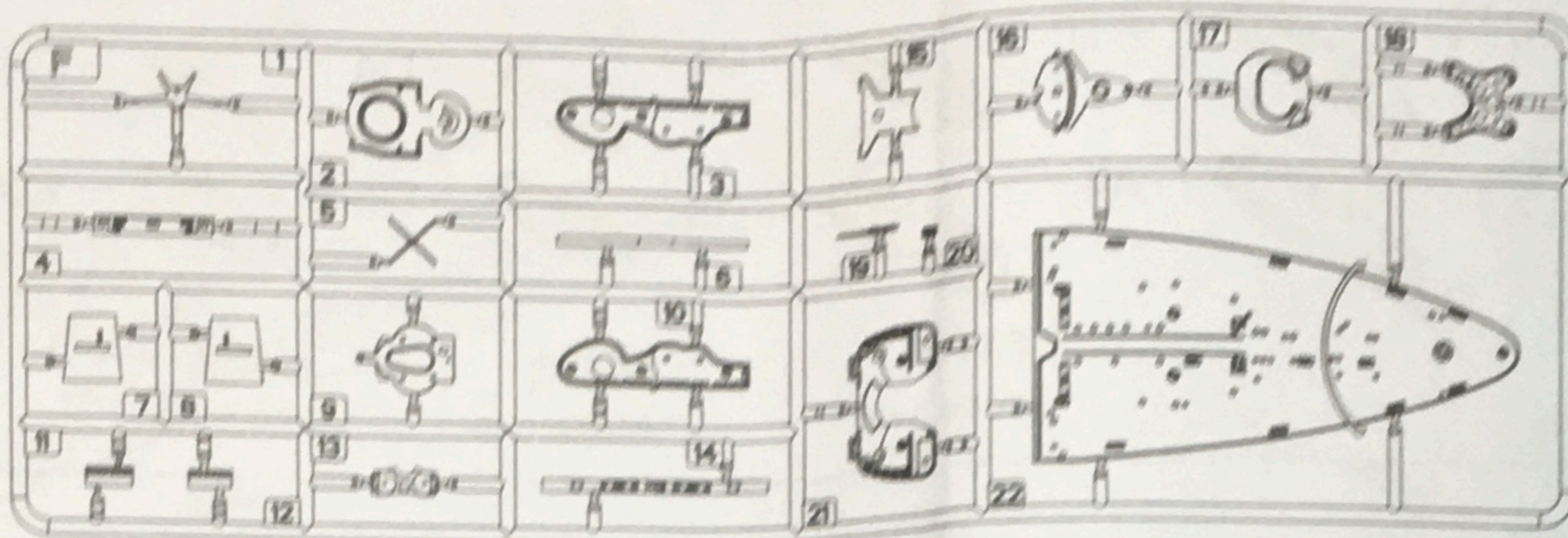
DX2



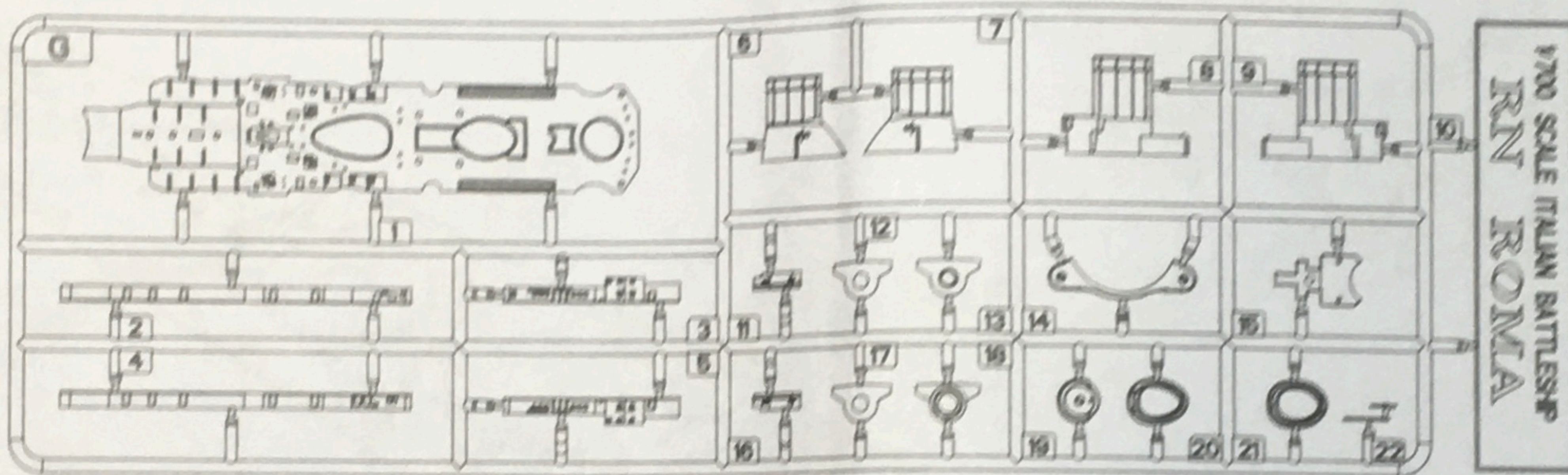
EX2



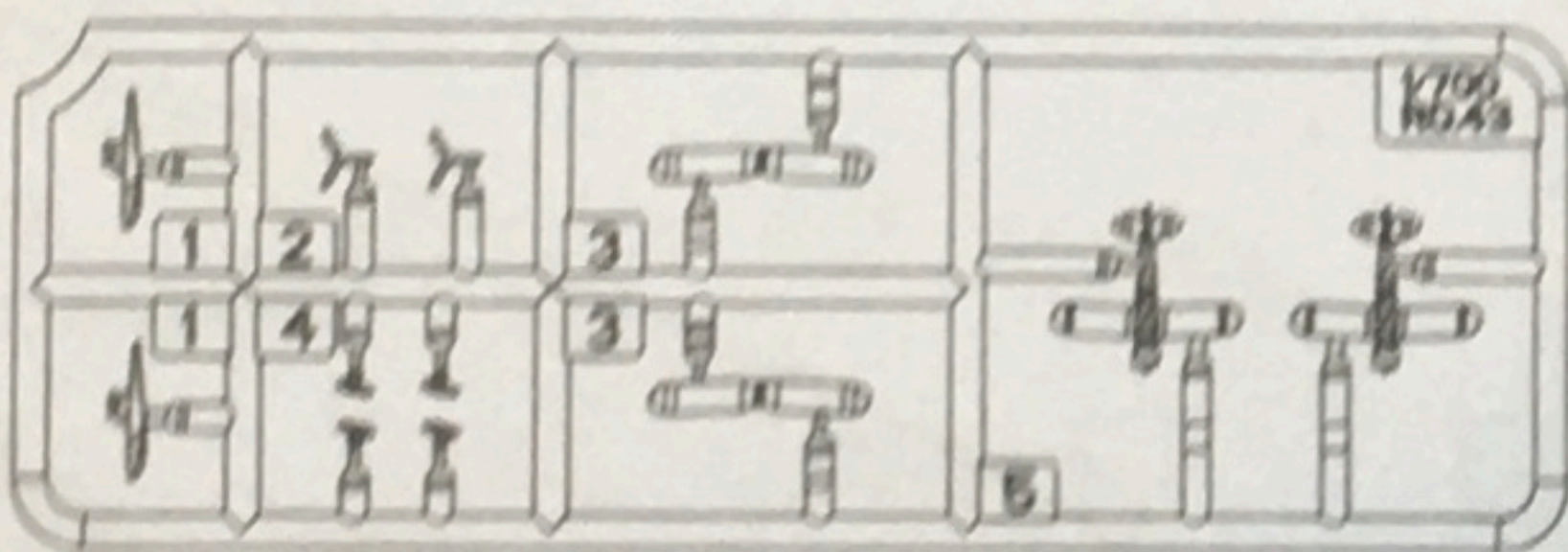
F



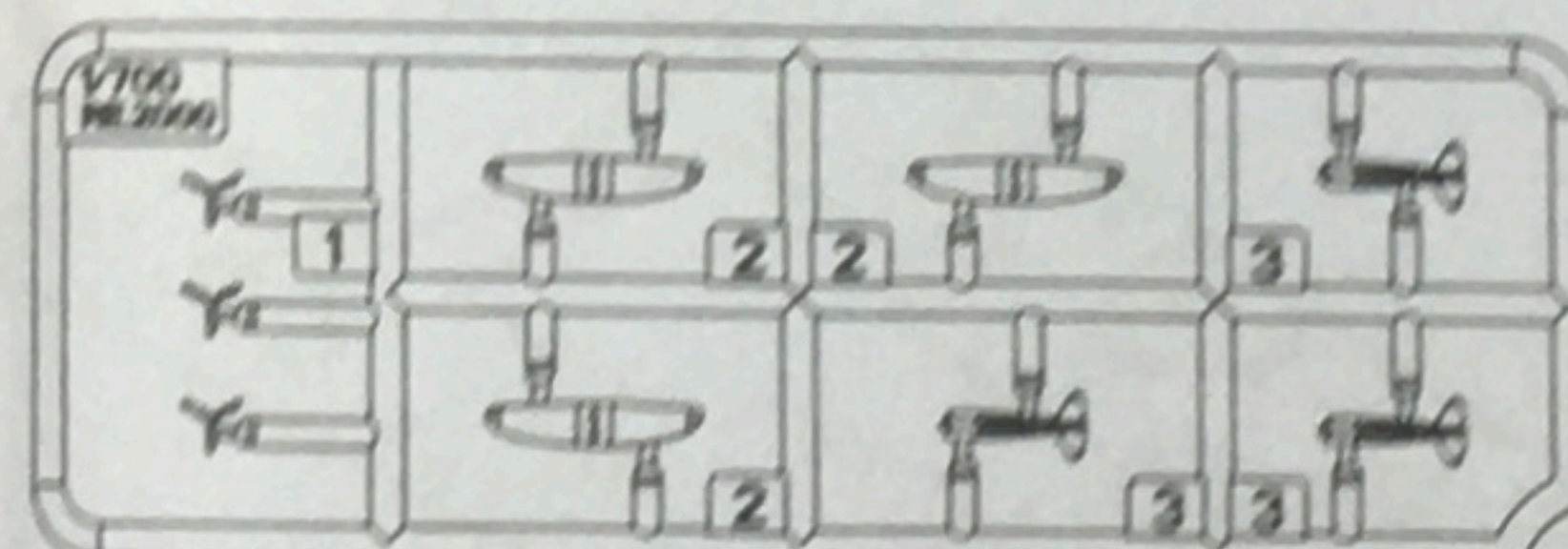
G



RO.43



RE.2000



《座架》 Stand

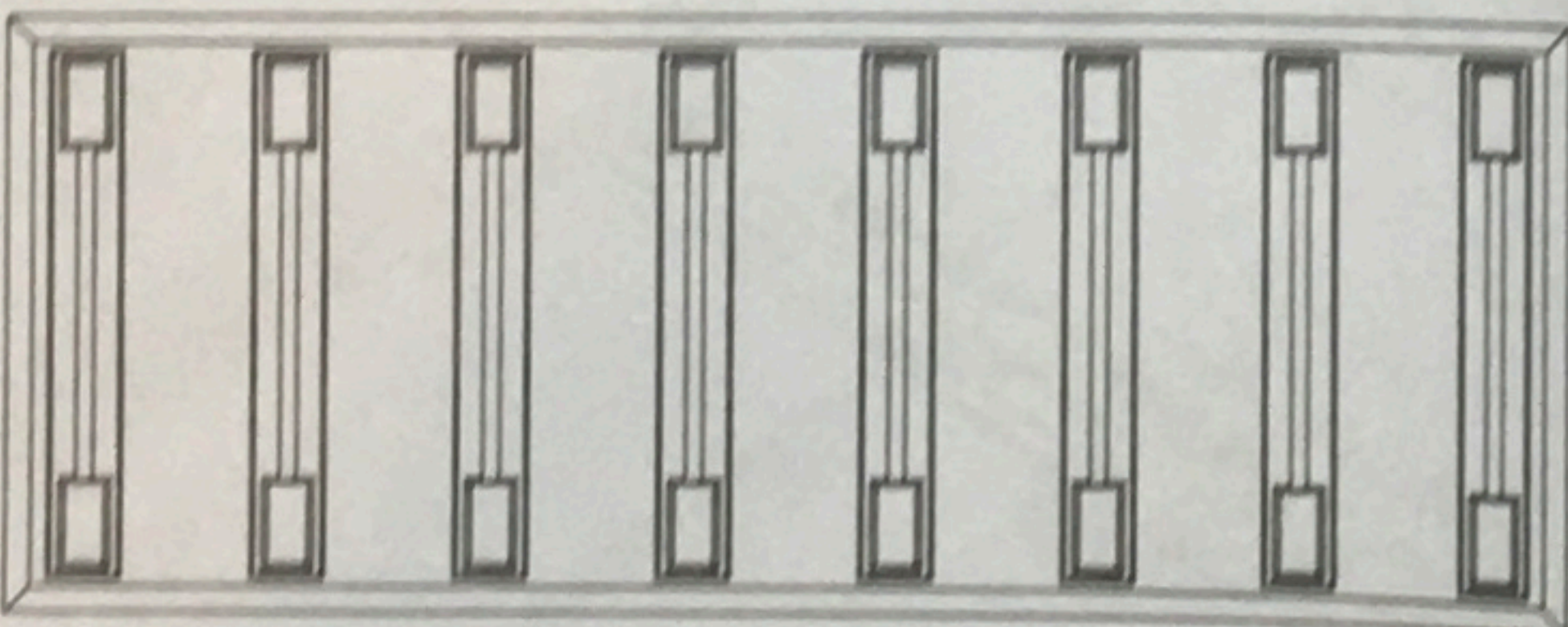
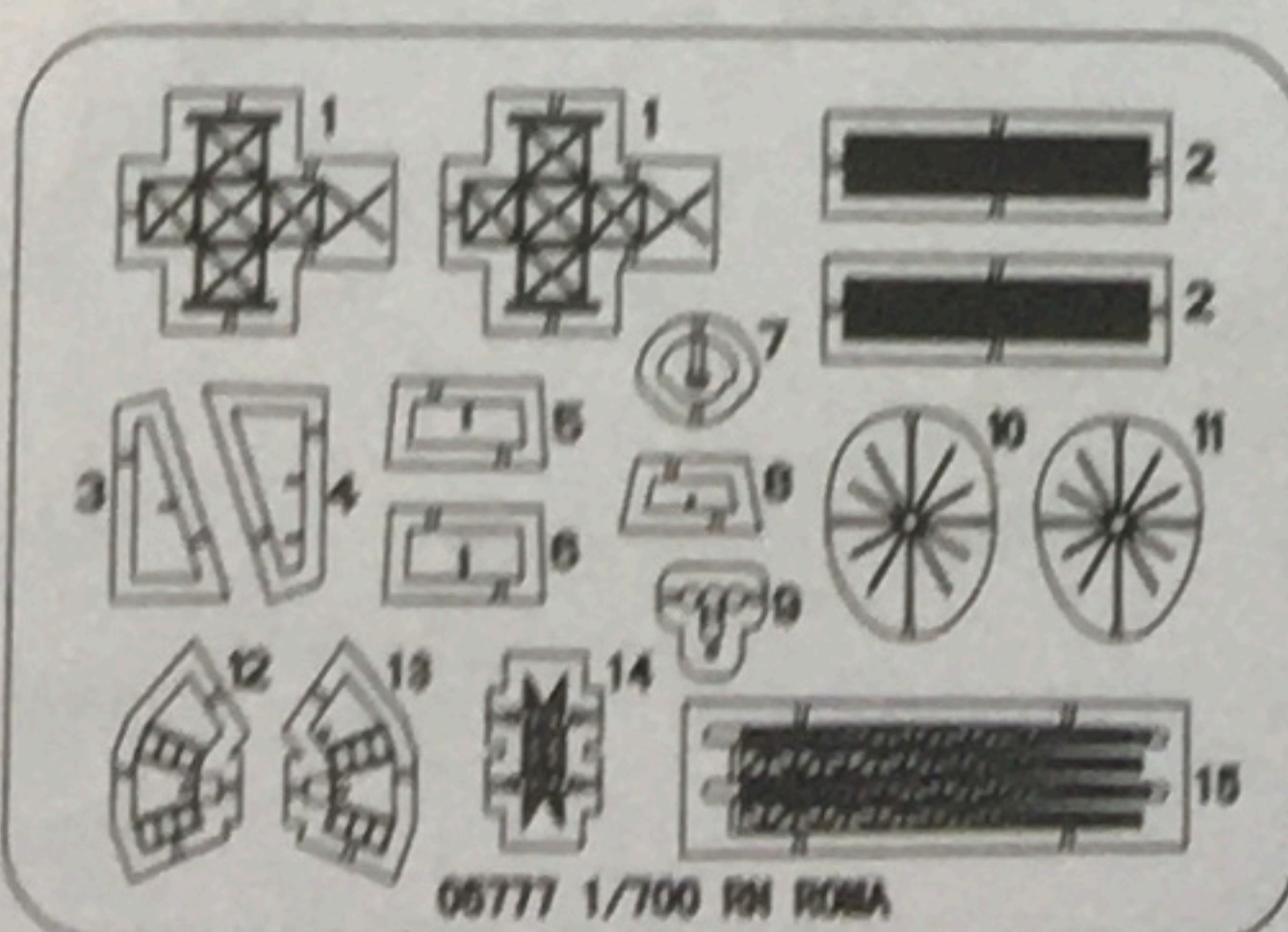
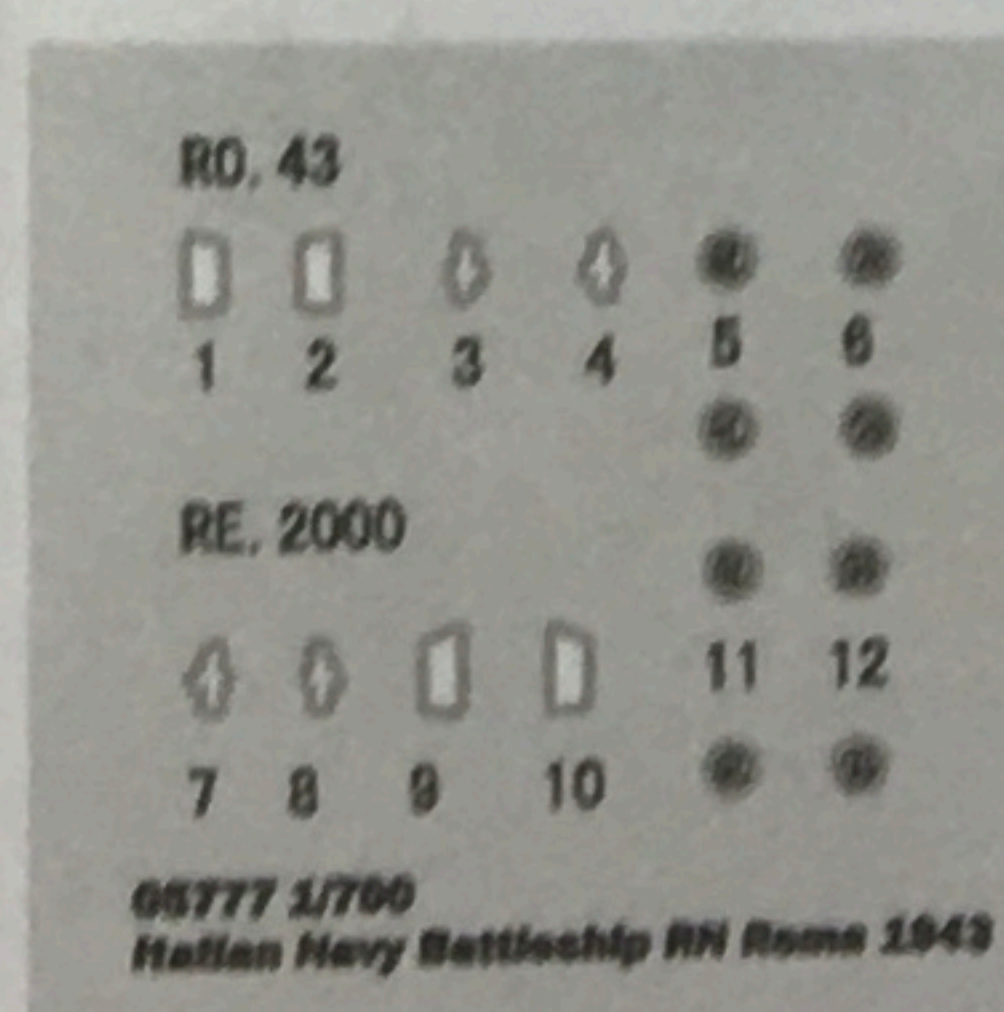


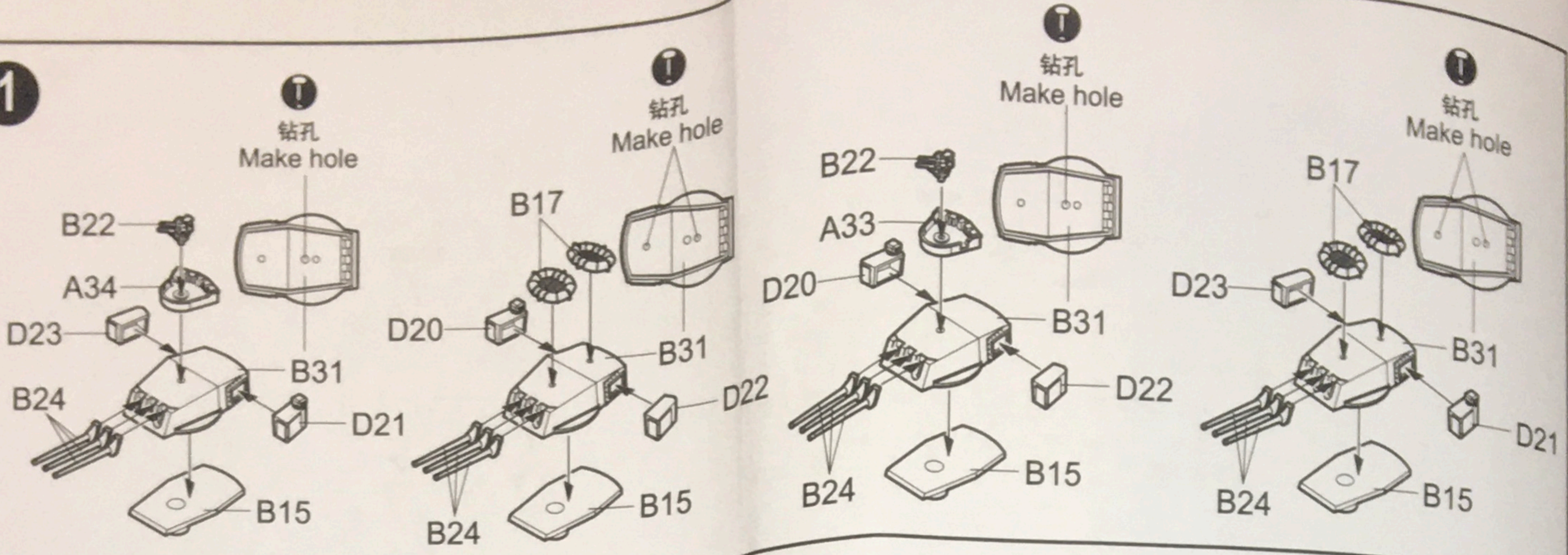
Photo Etched



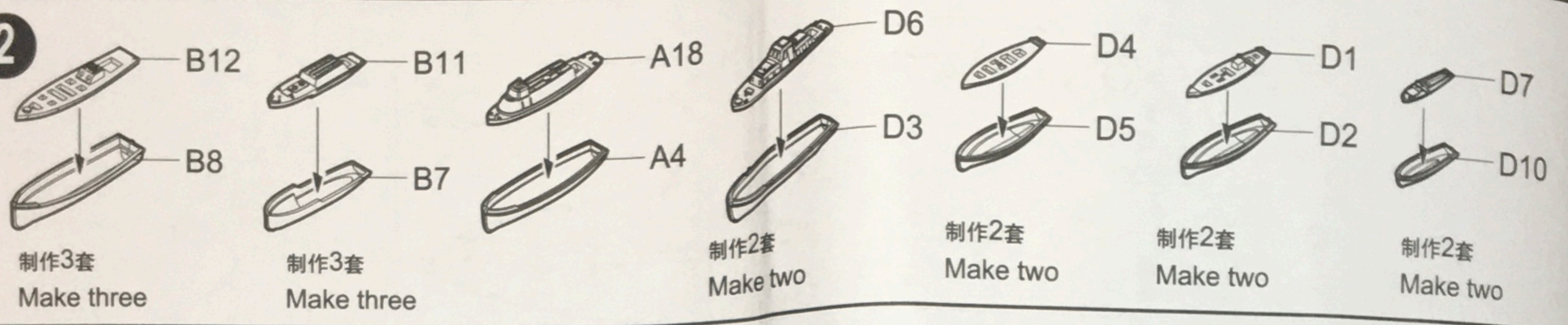
《水贴》
Decal



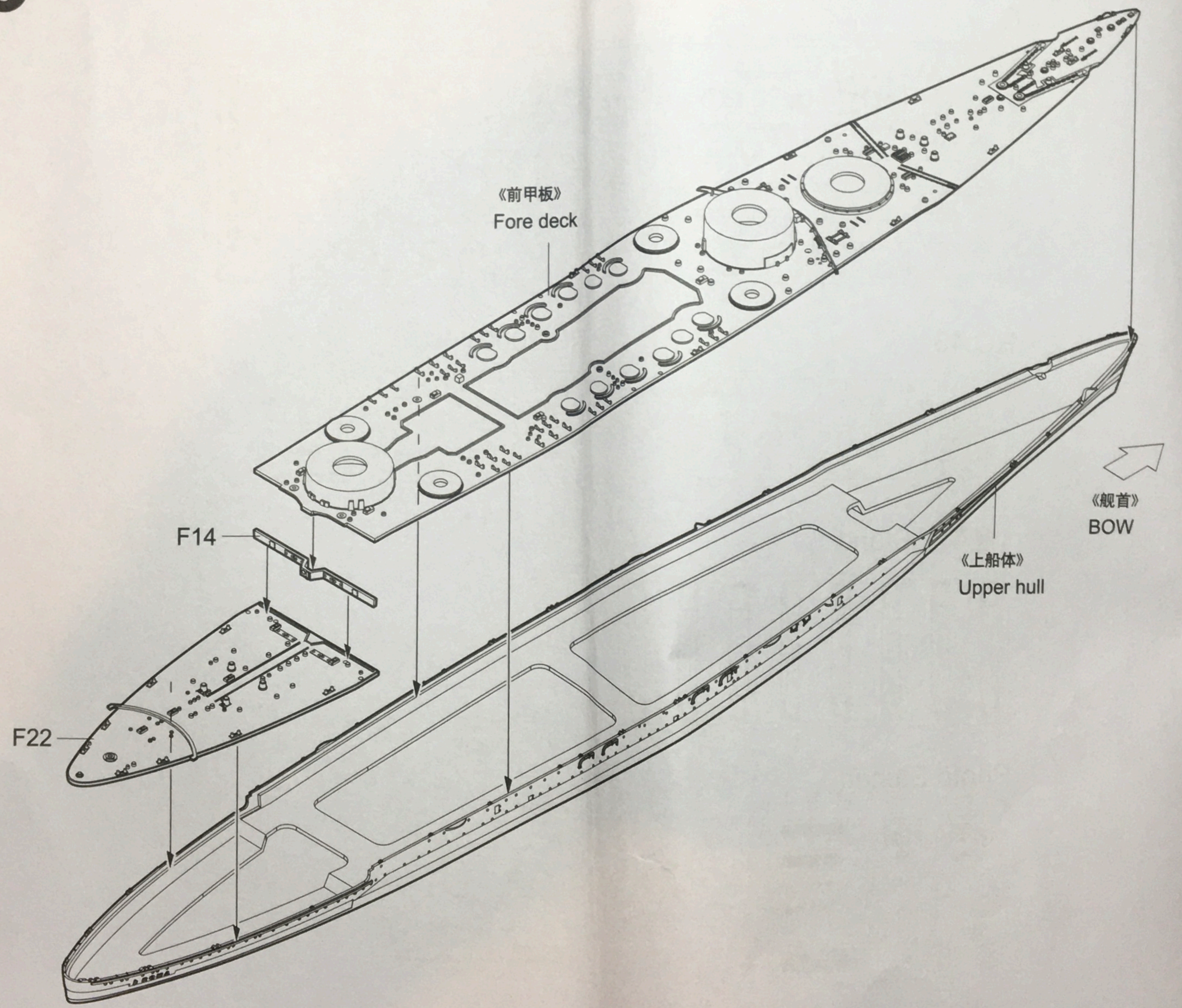
1

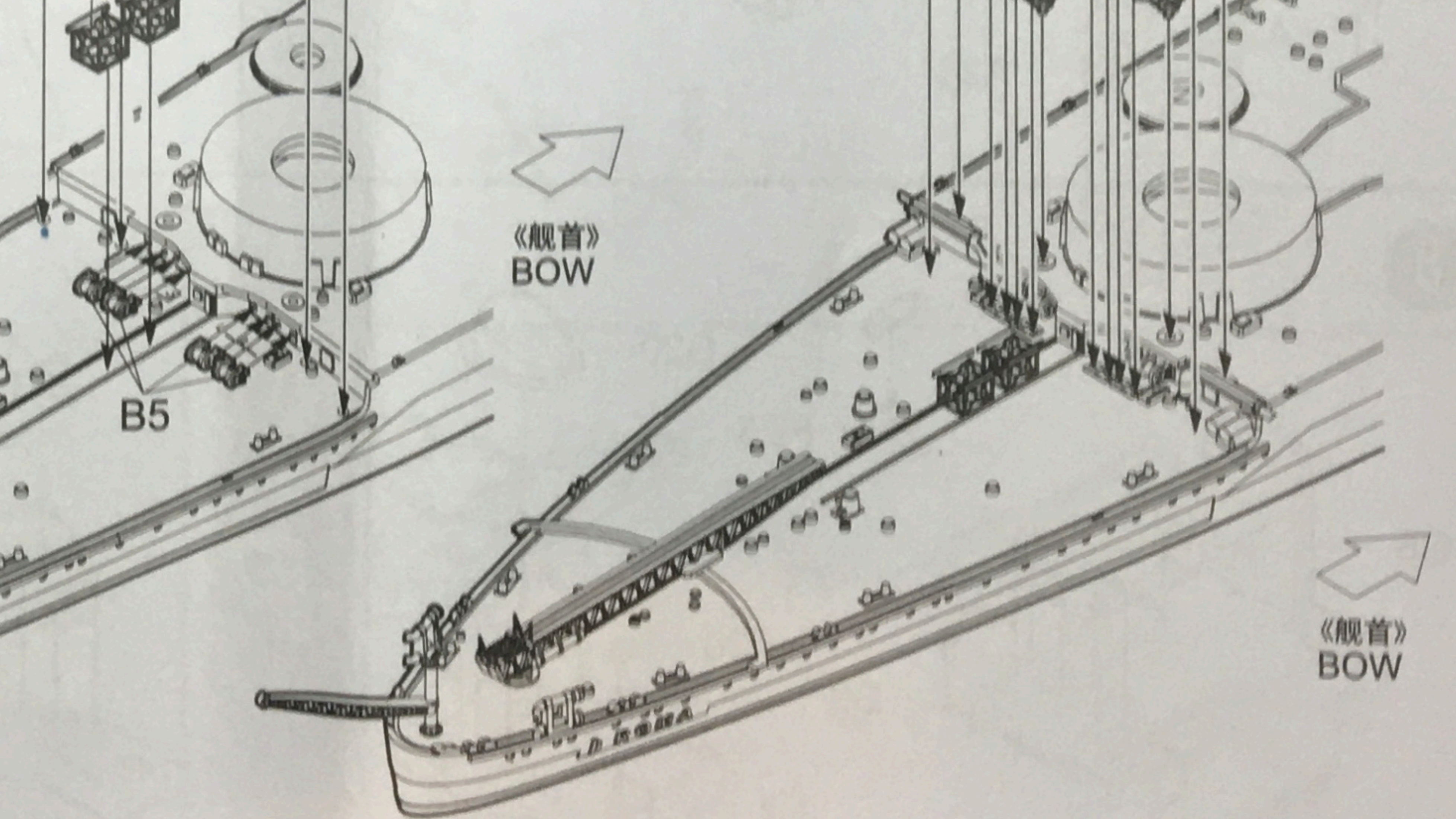
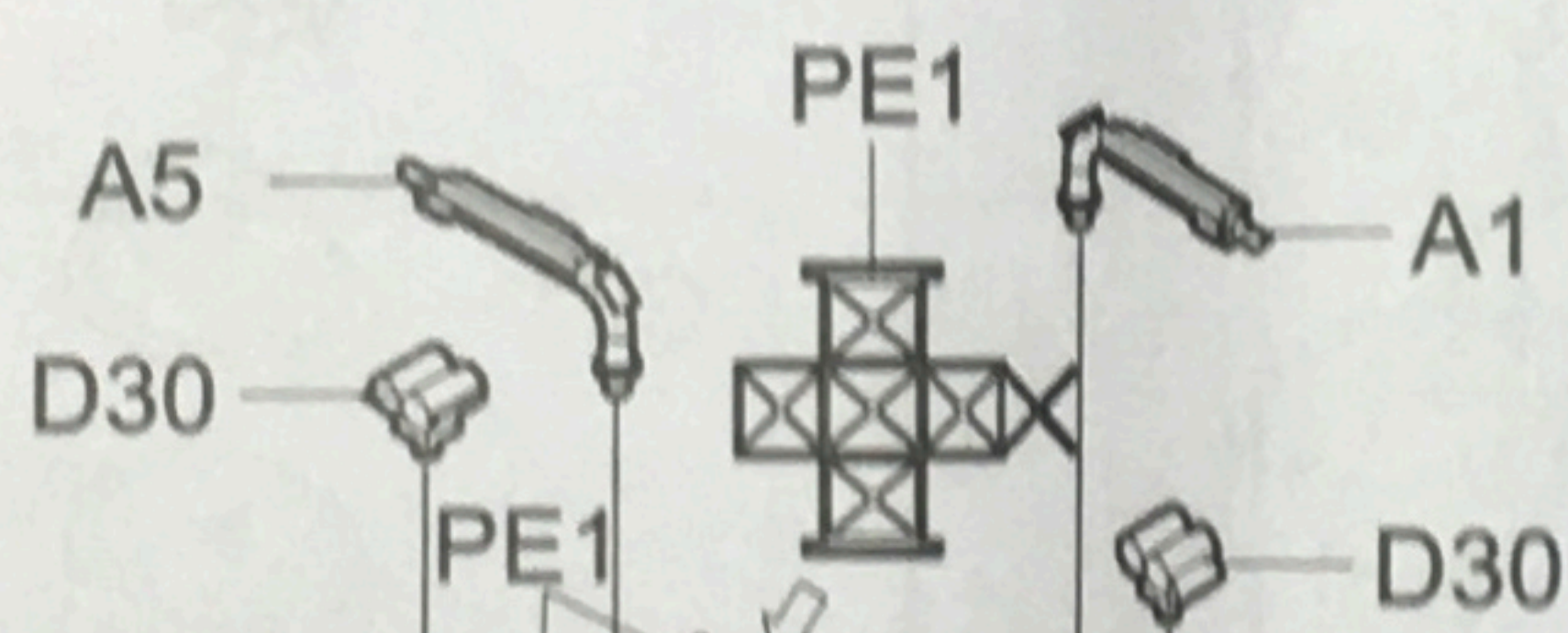
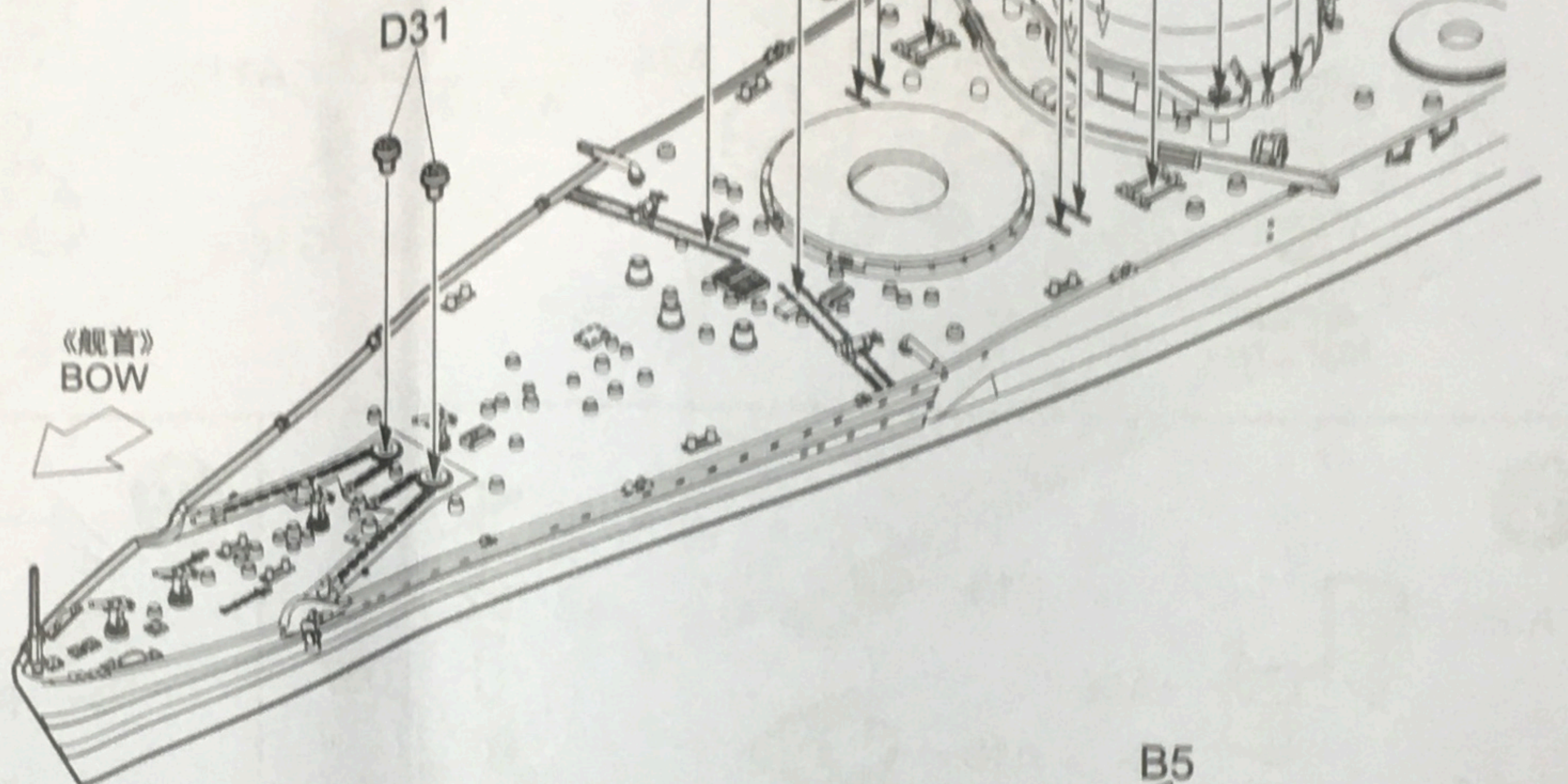
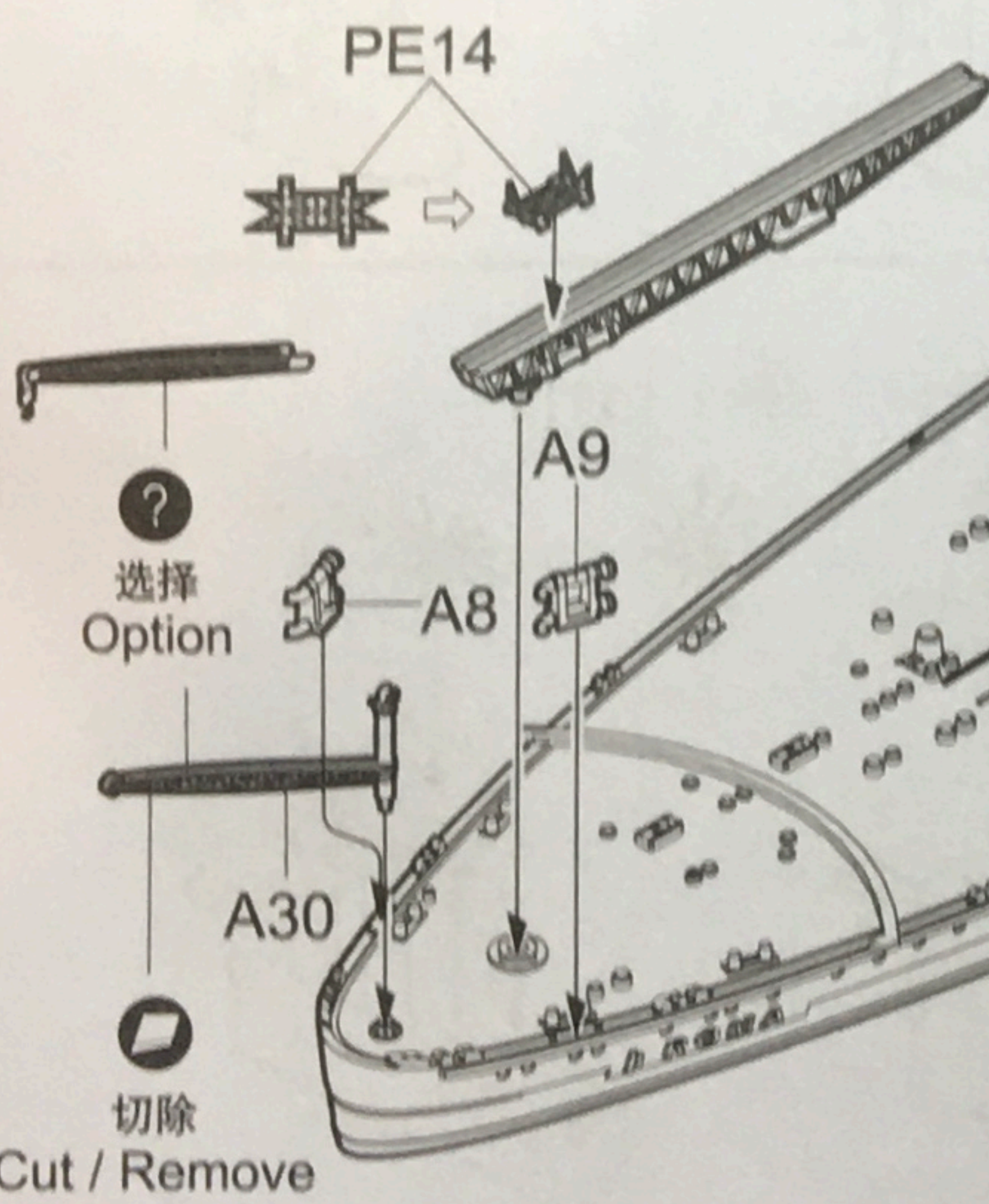
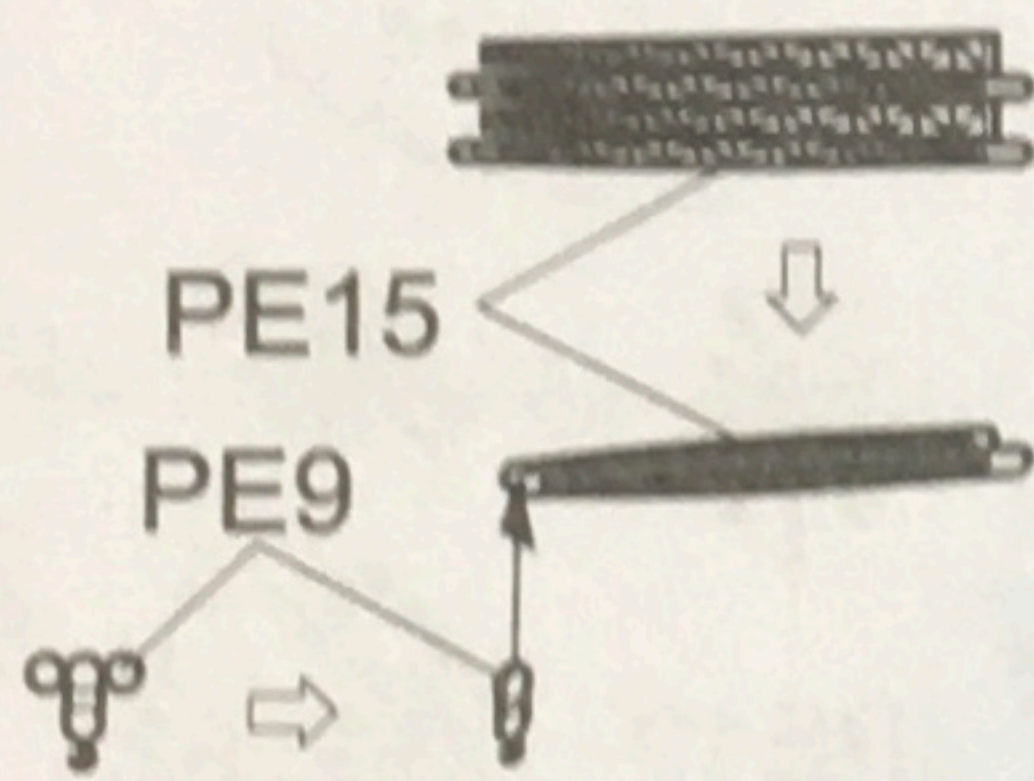
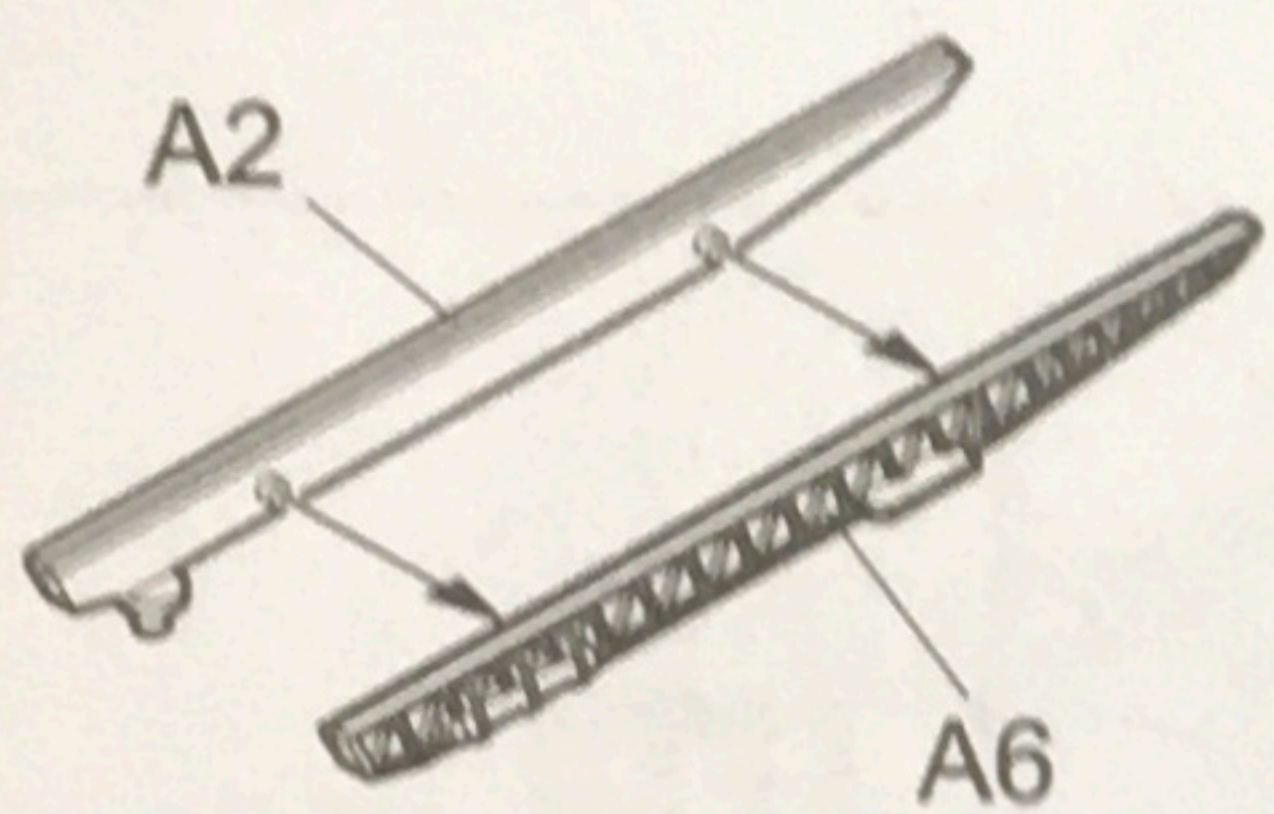
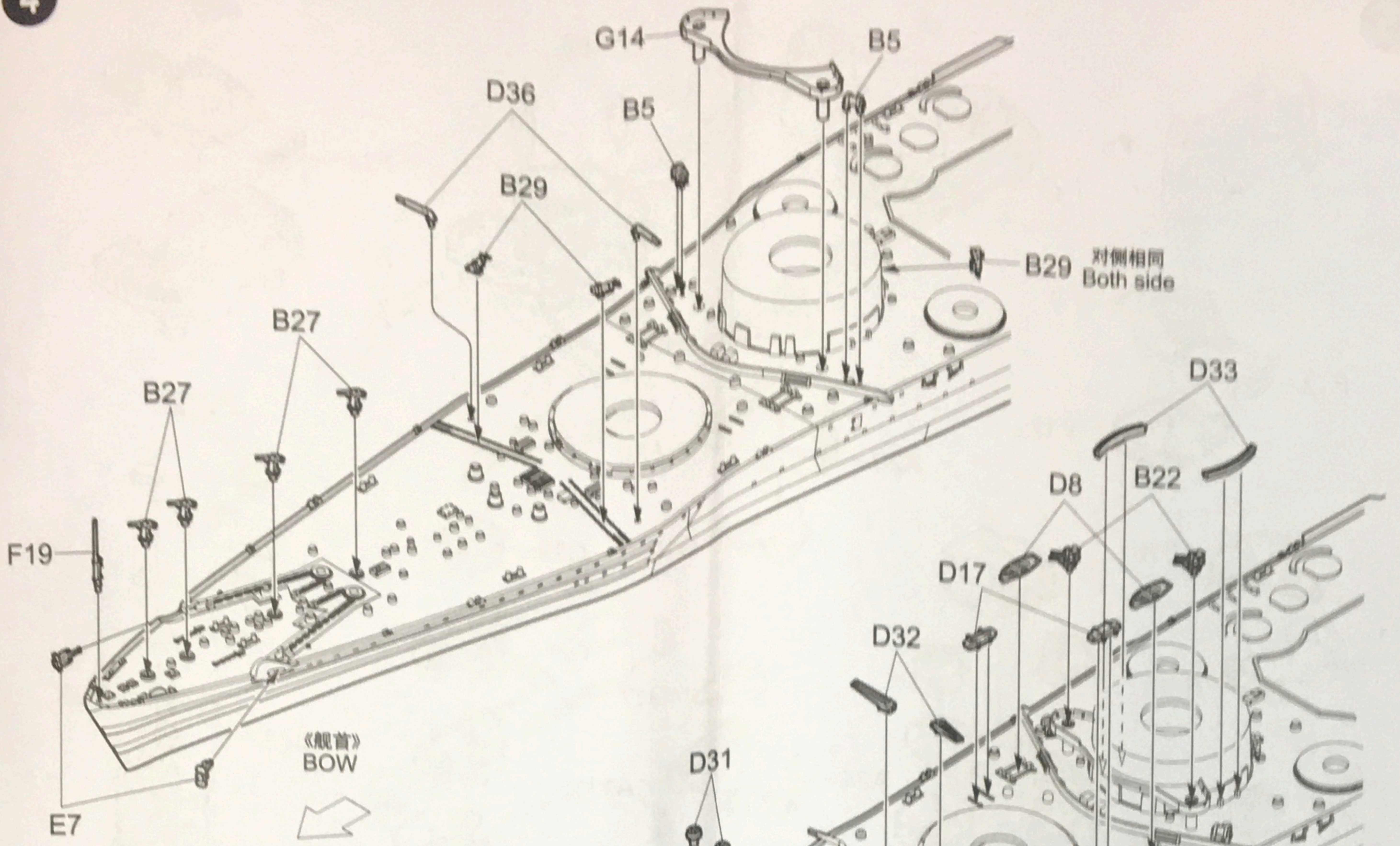


2

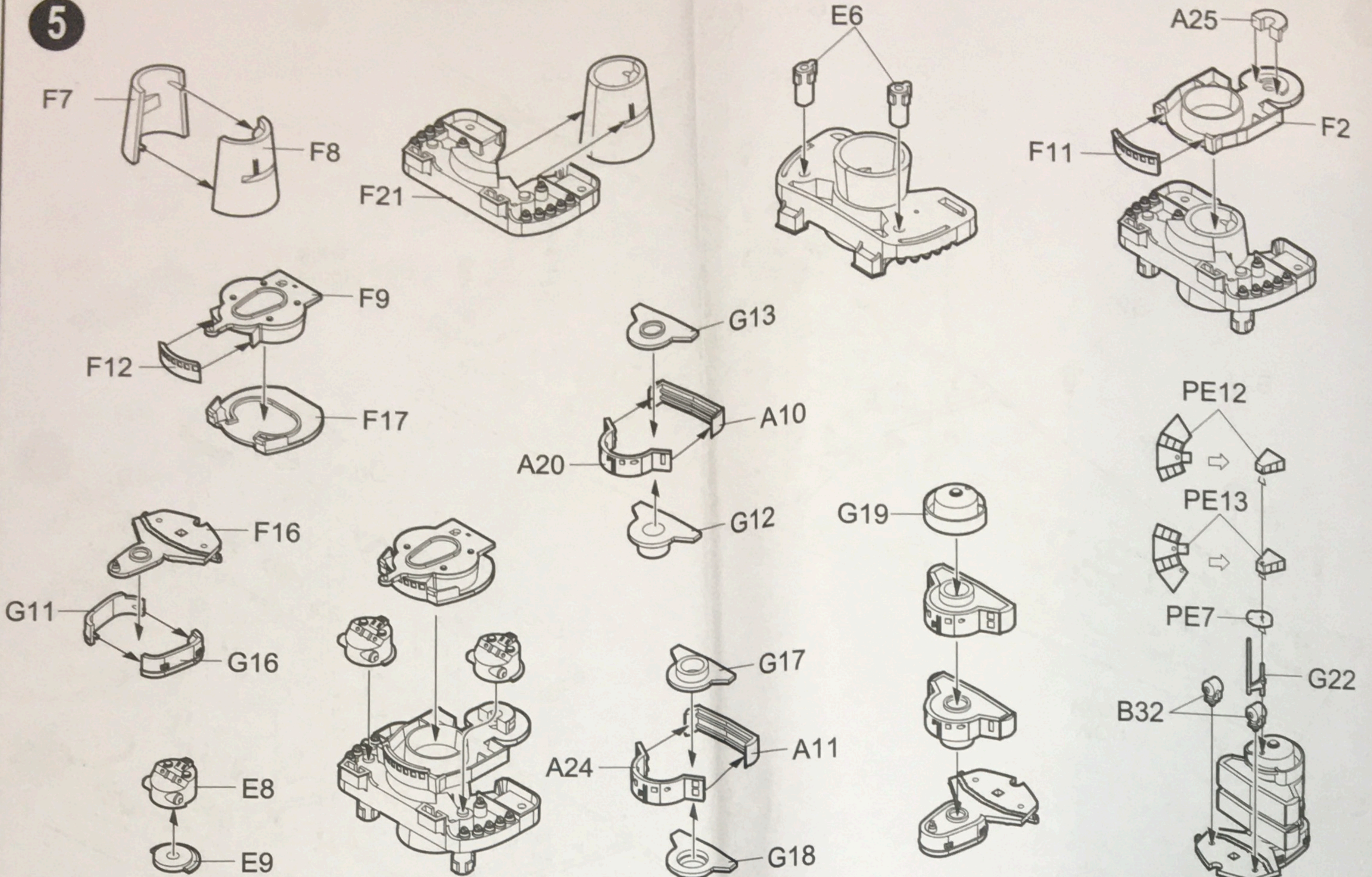


3



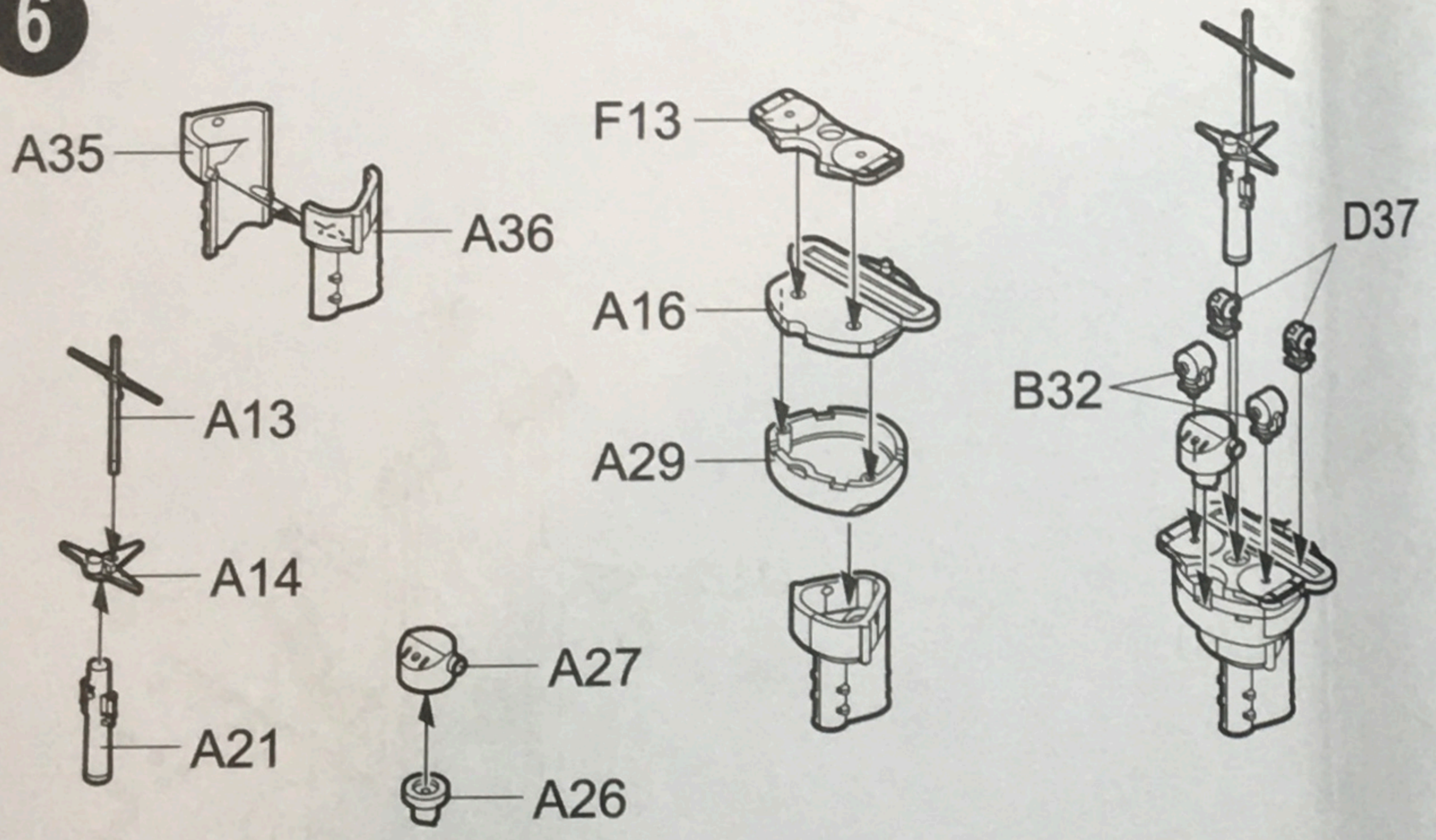


5

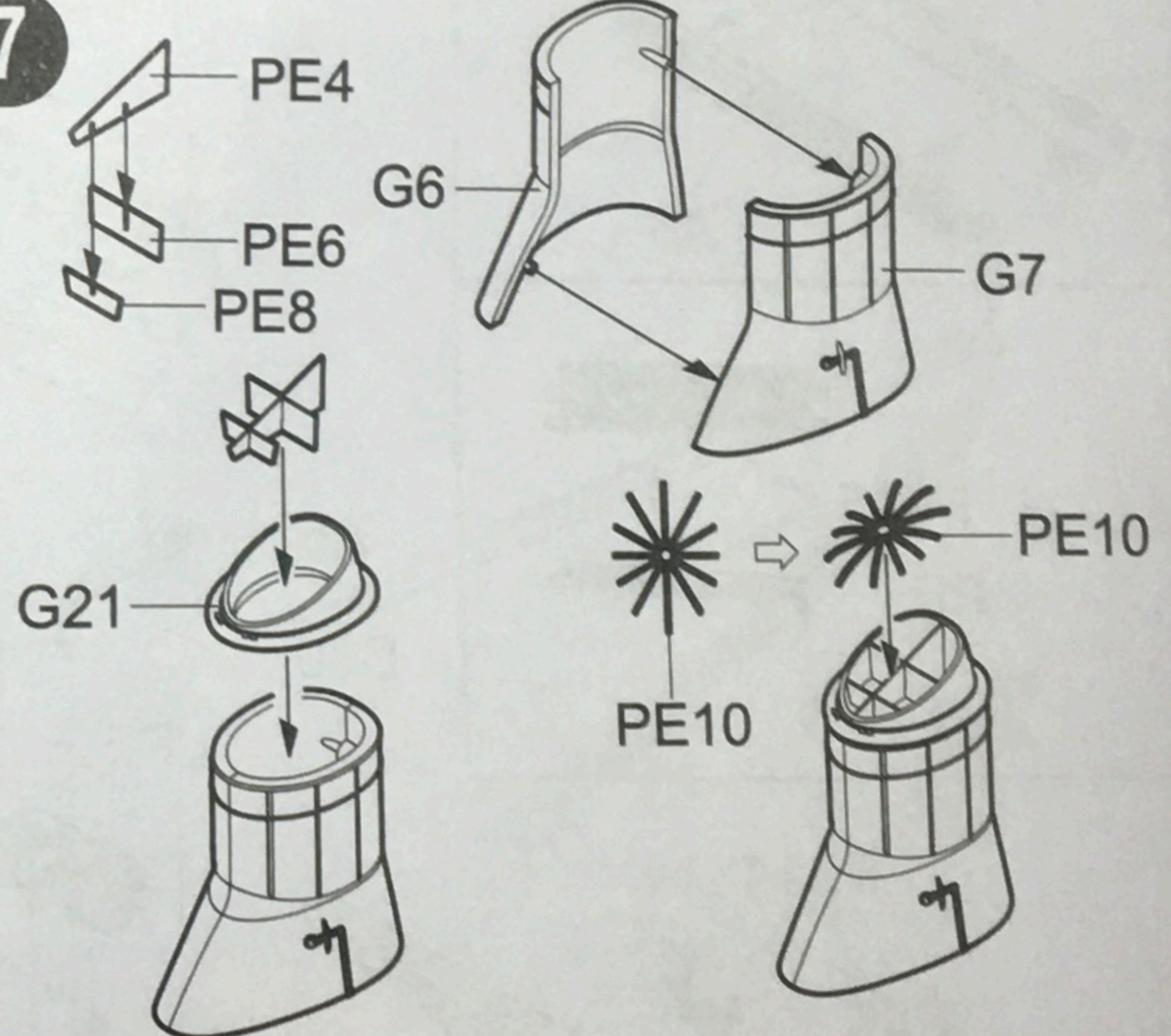


制作2套
Make two

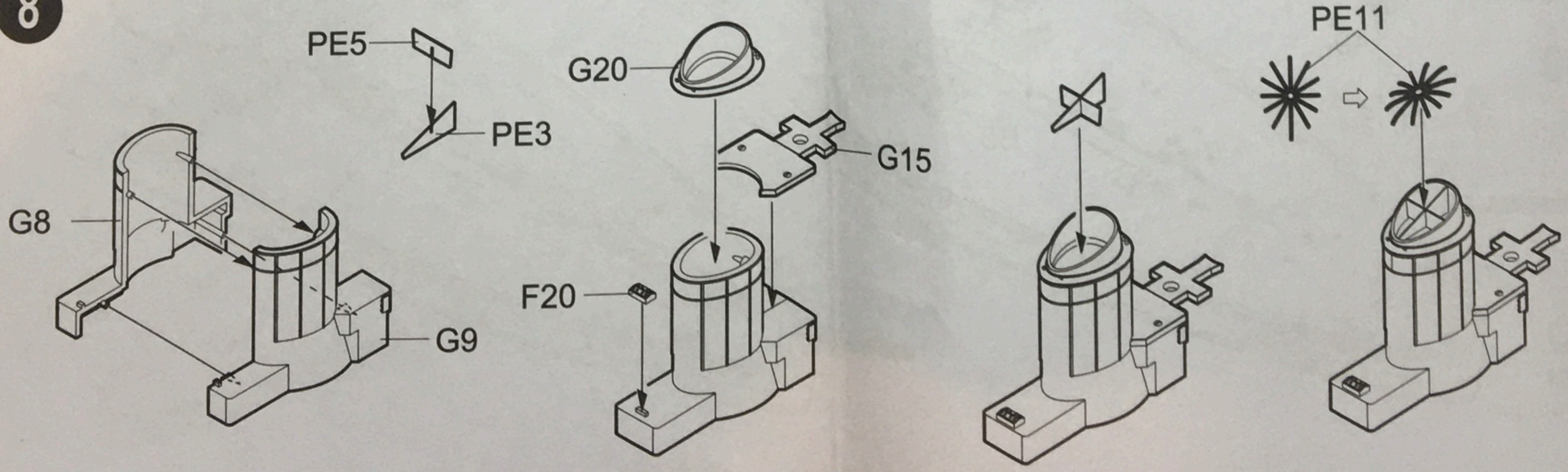
6

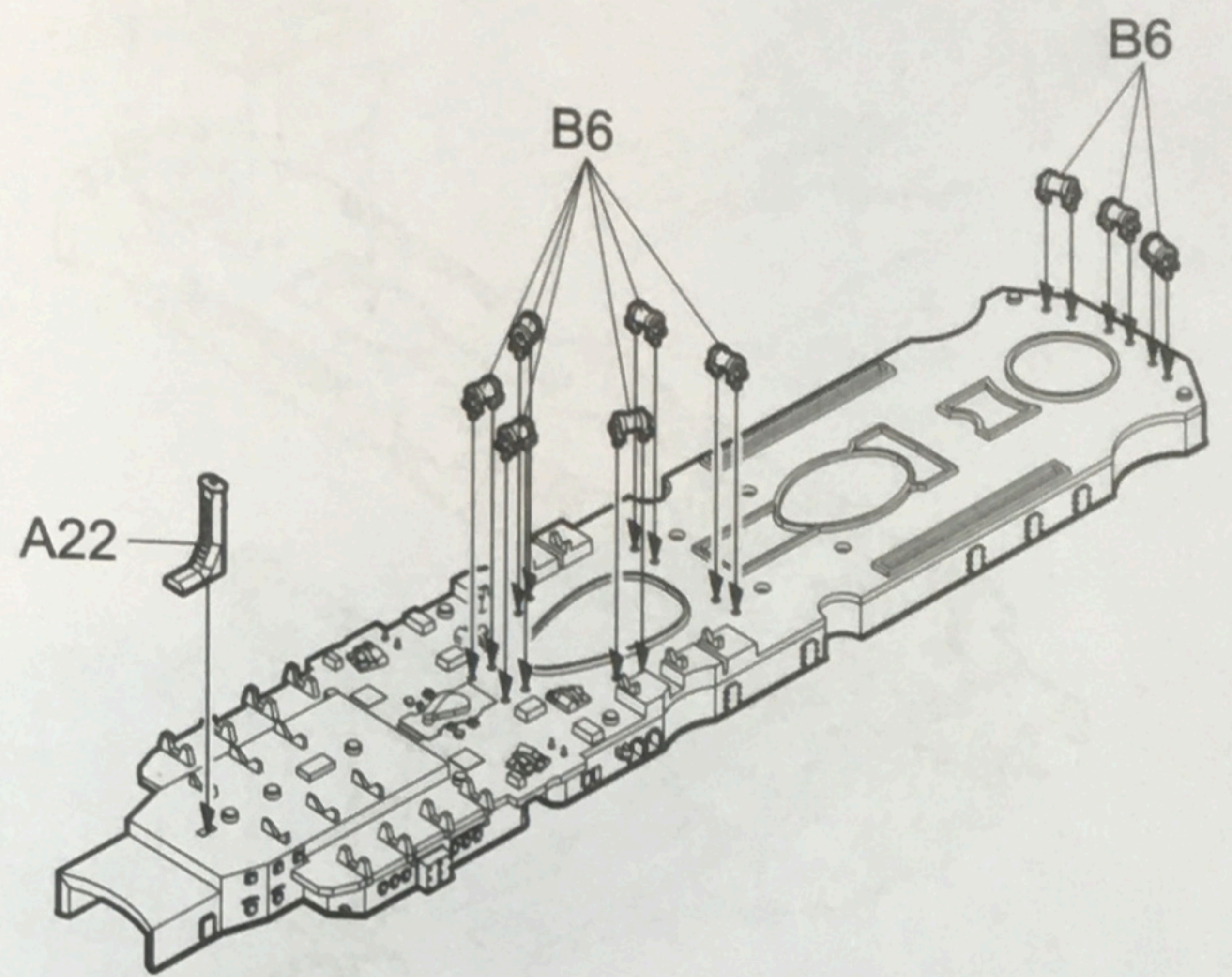
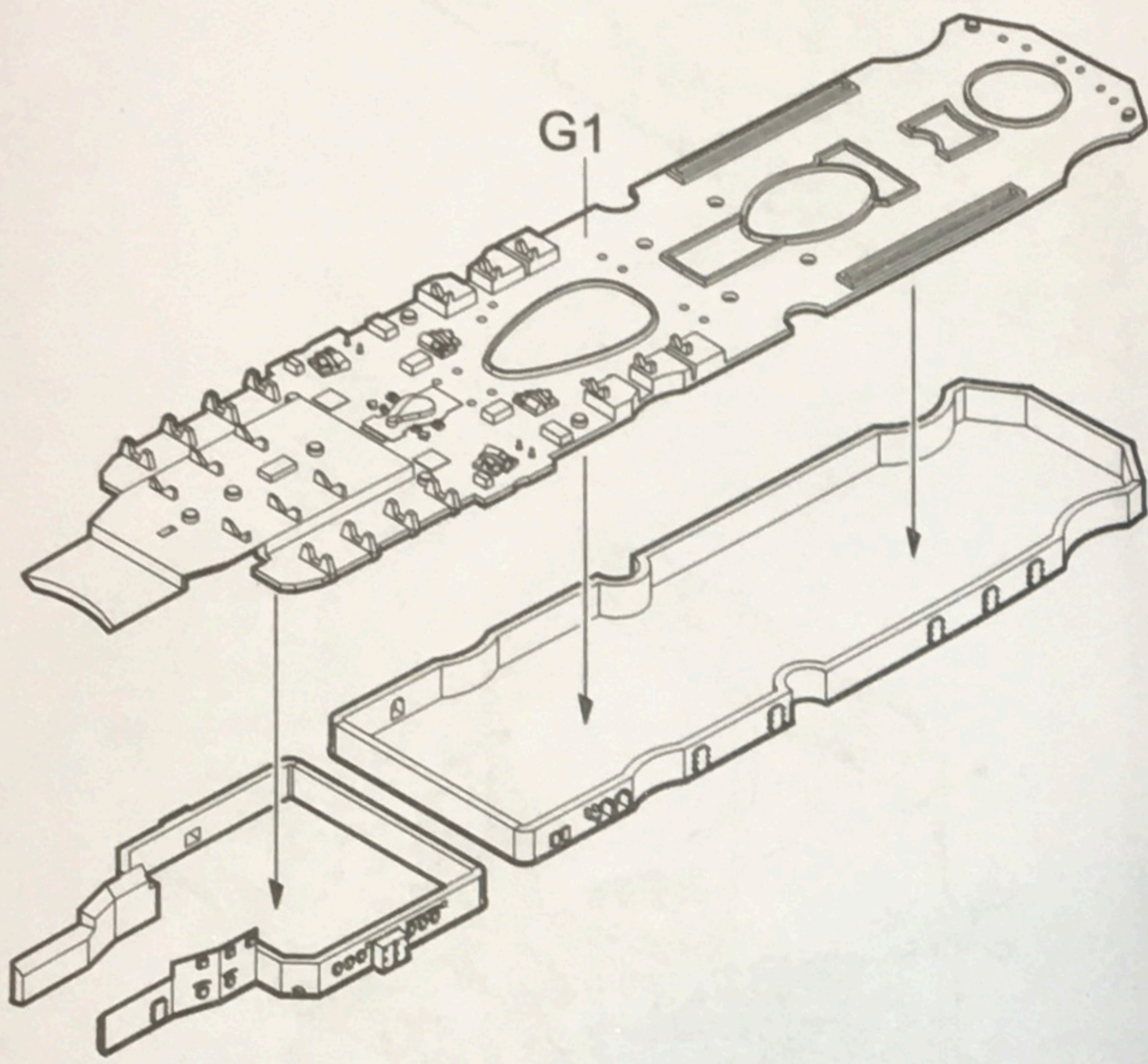
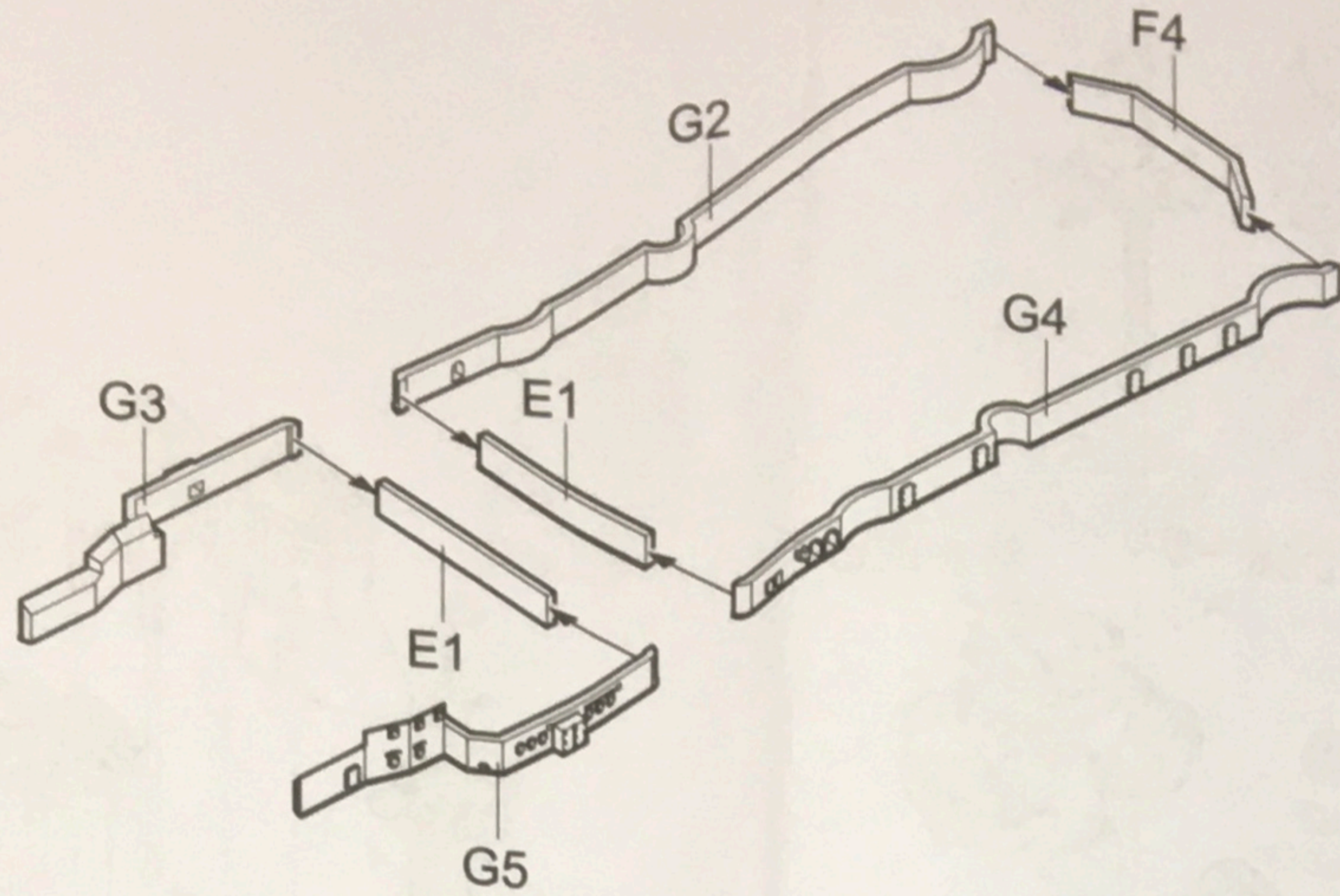


7

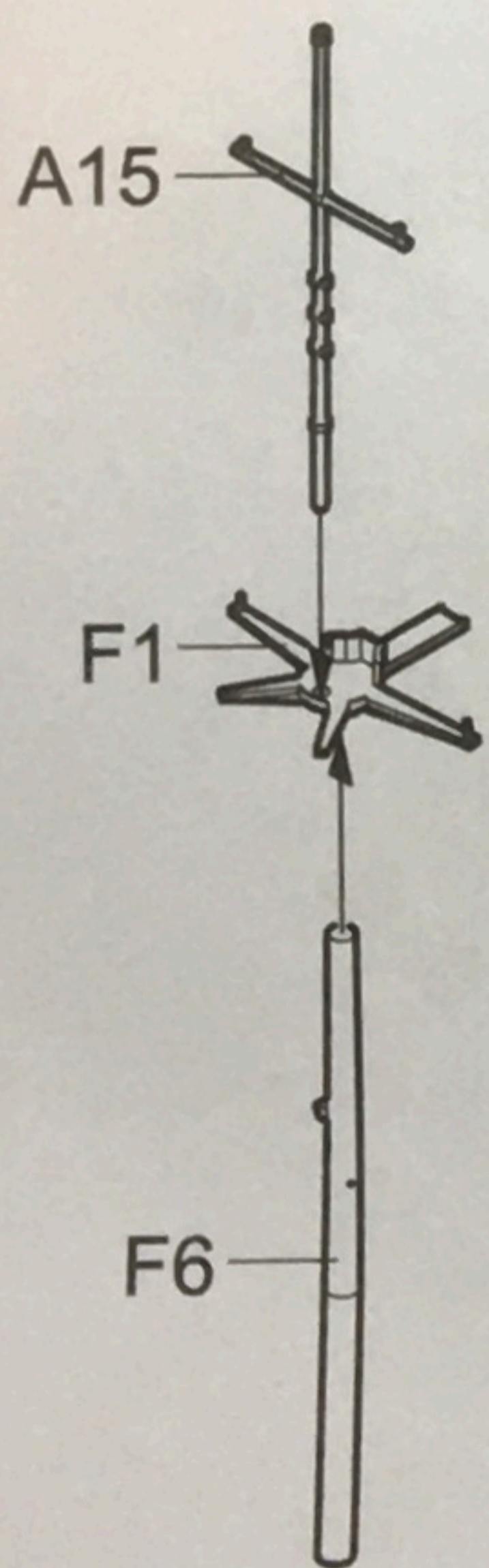


8

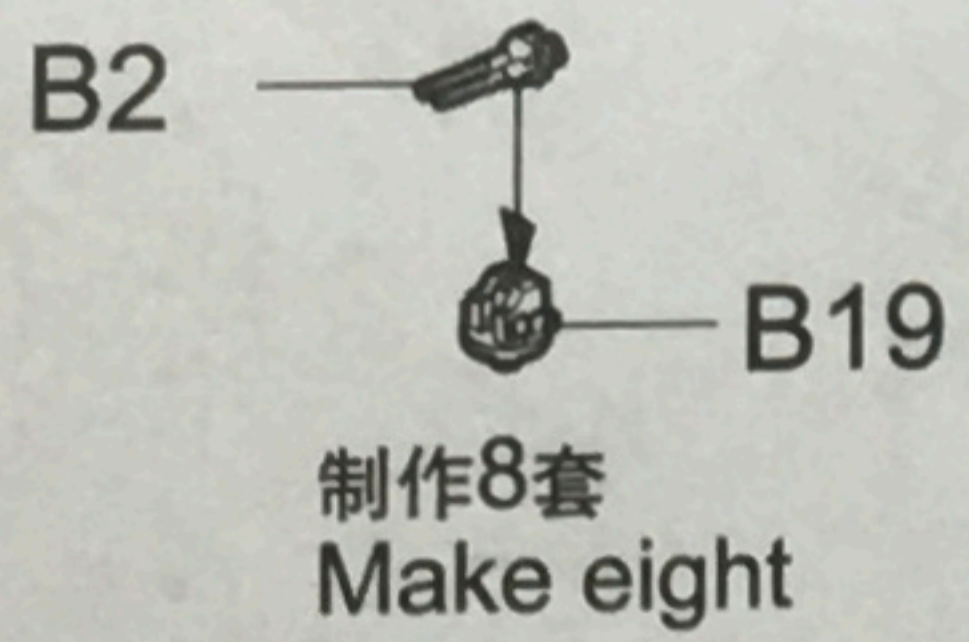
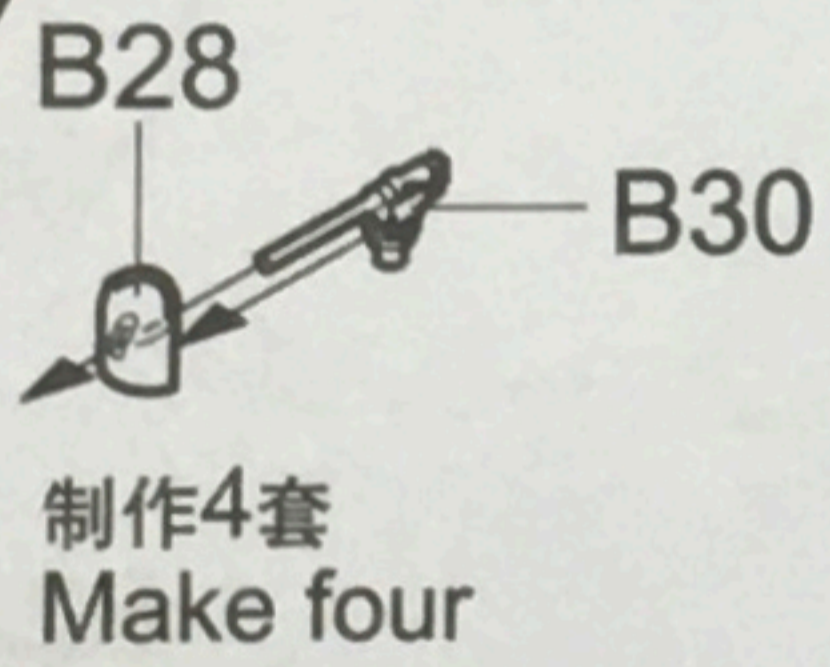




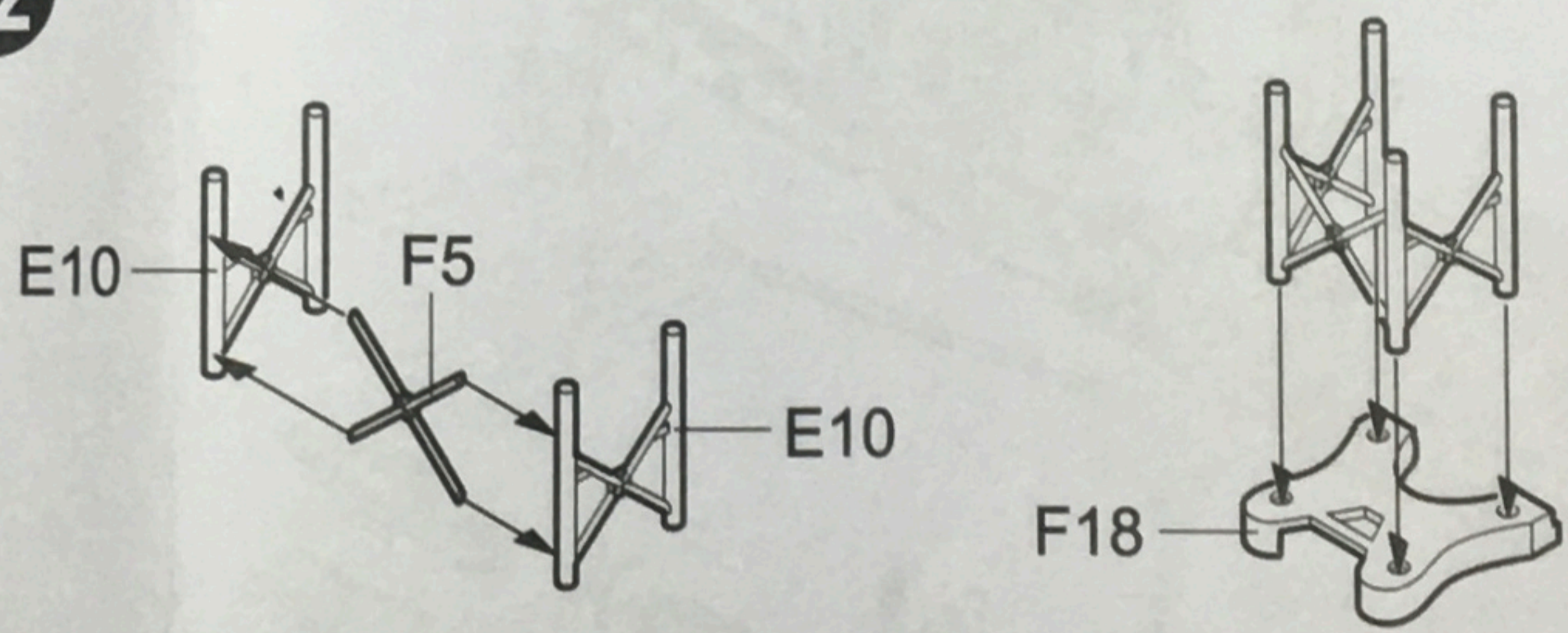
10



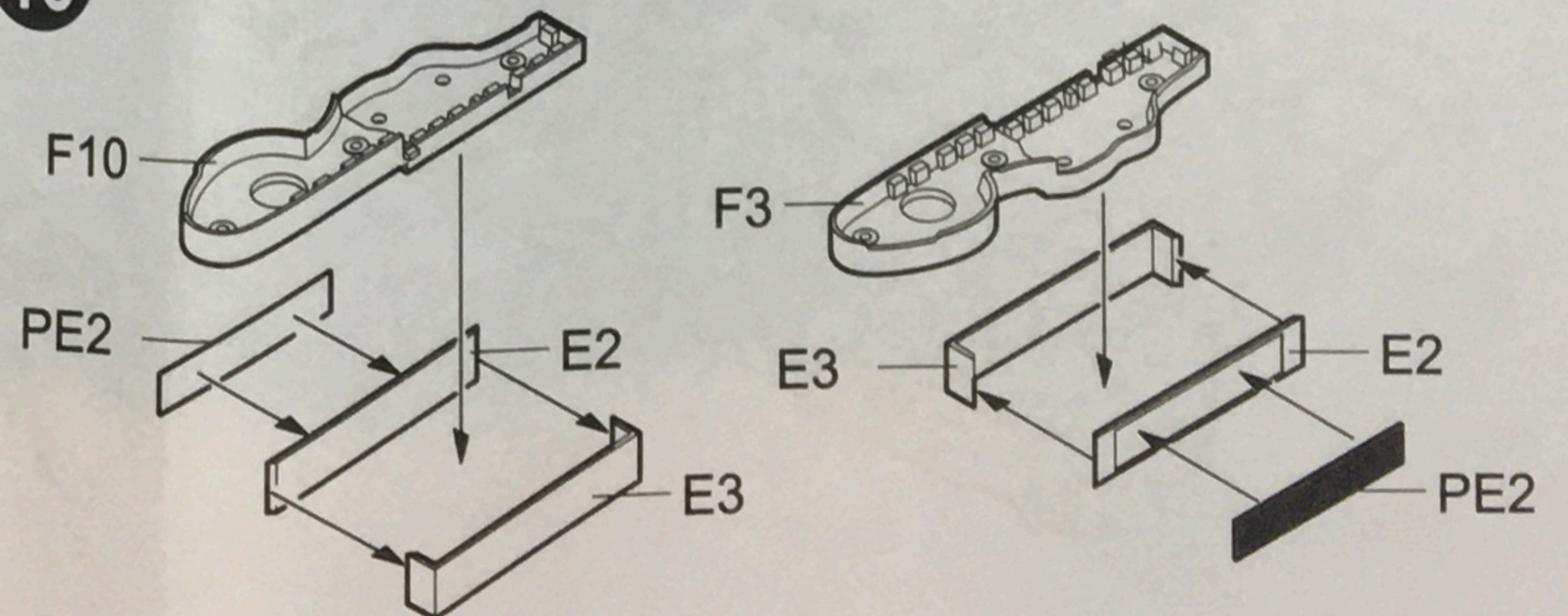
11

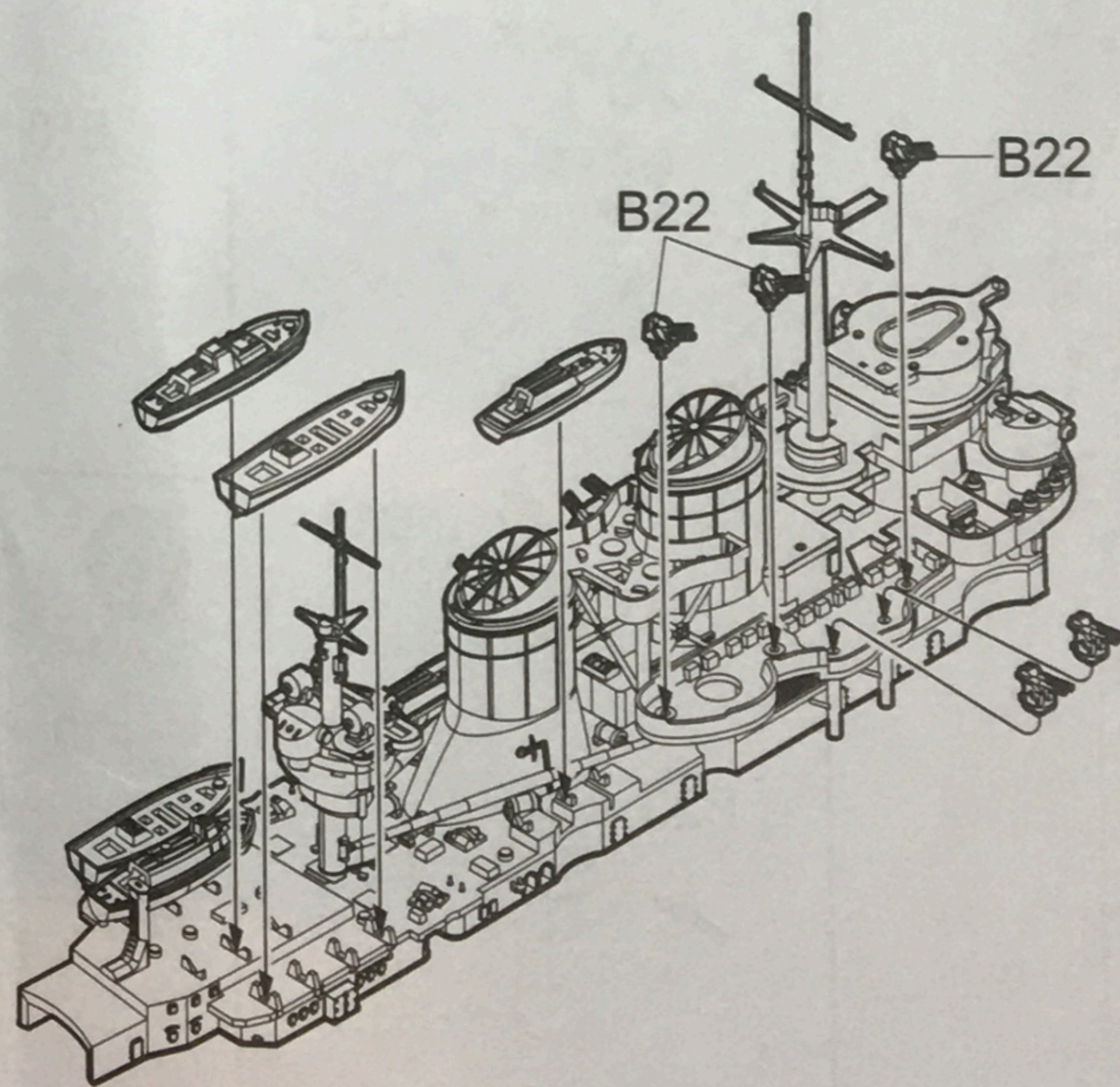
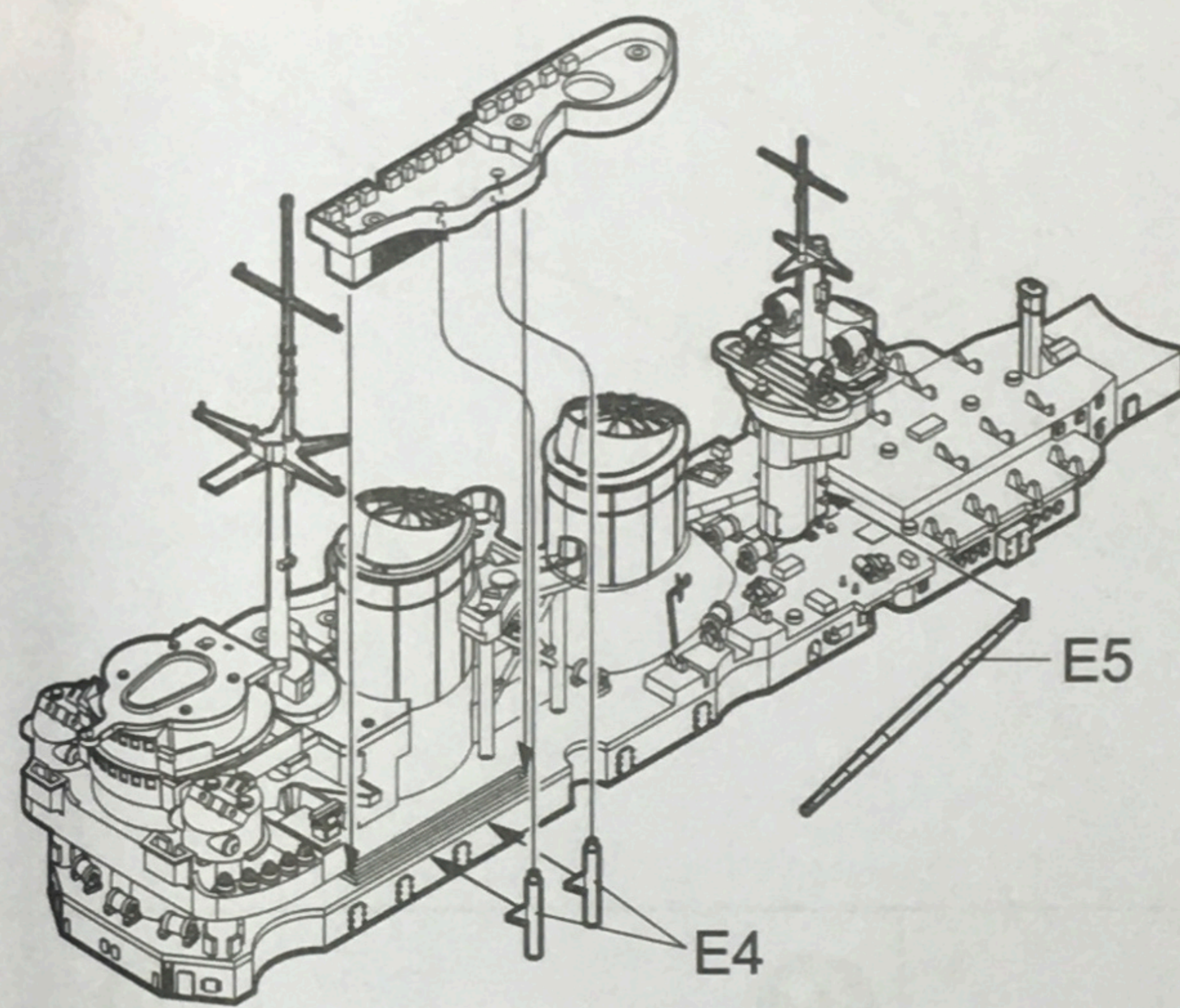
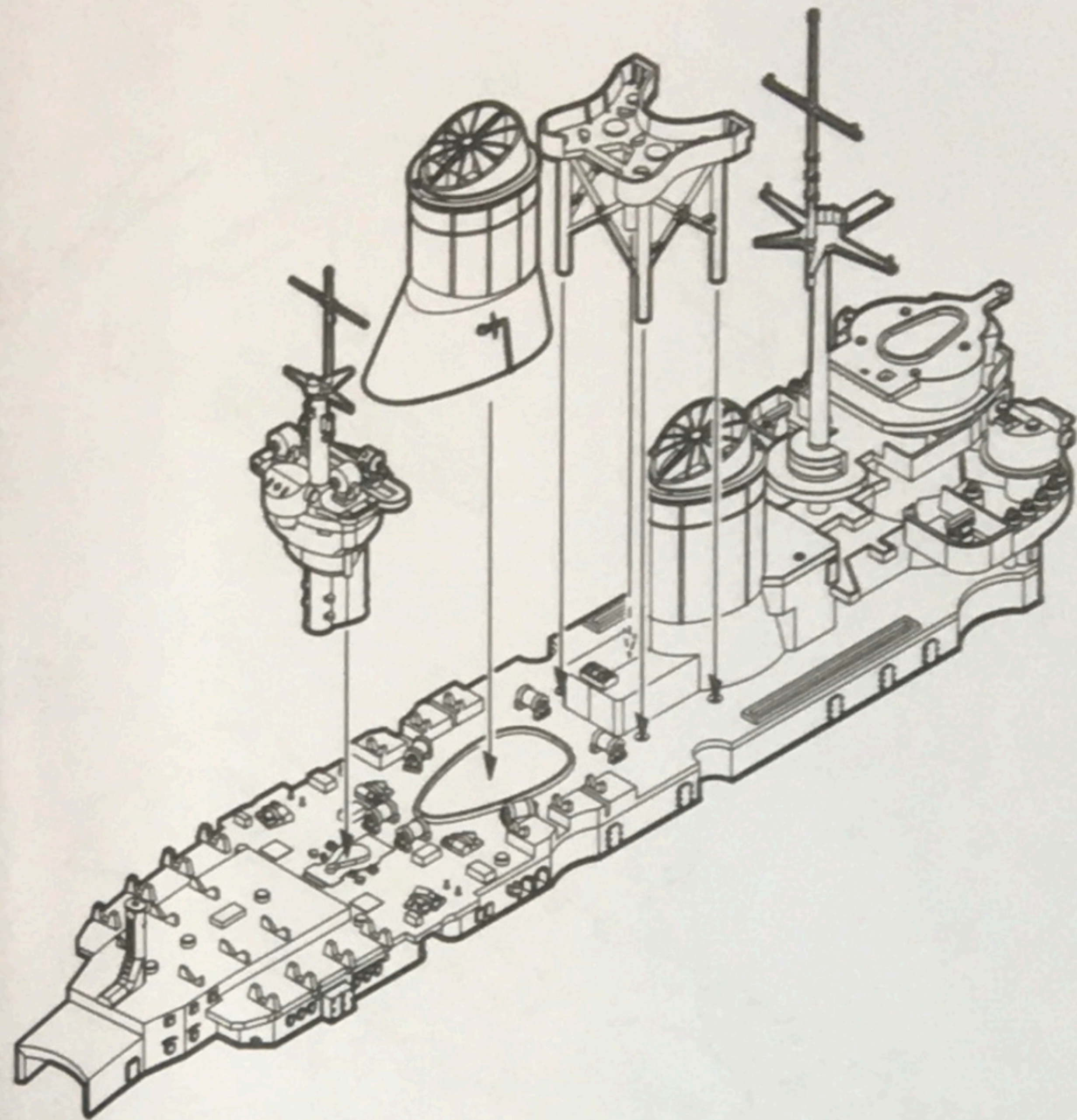
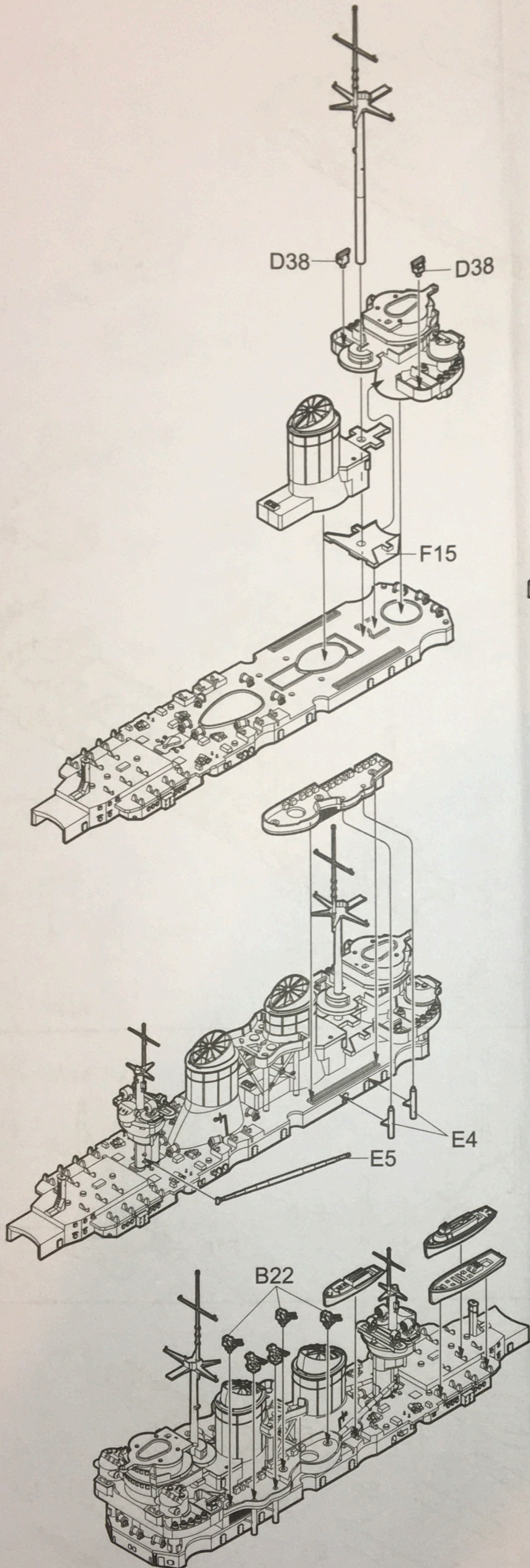


12

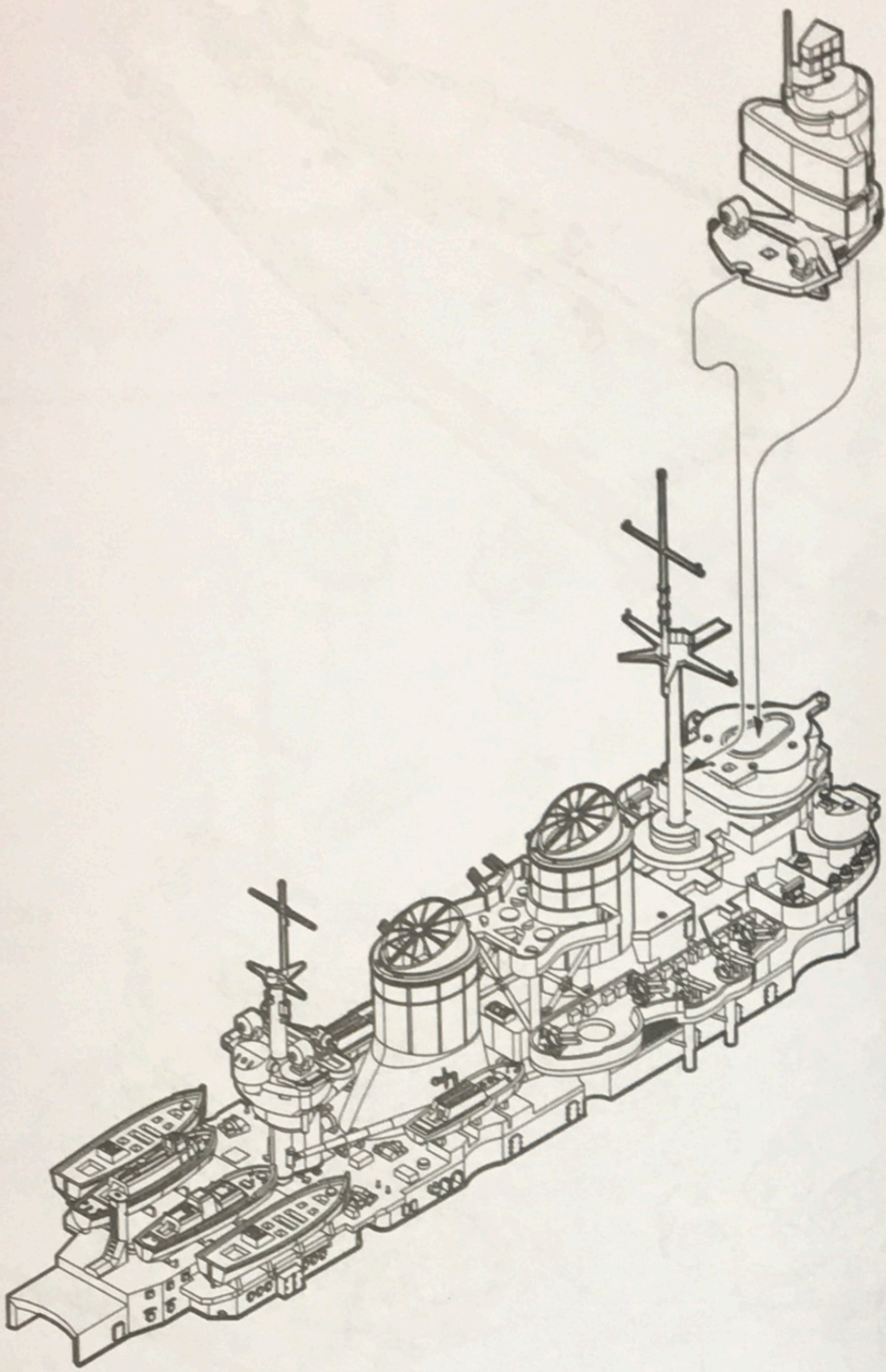


13

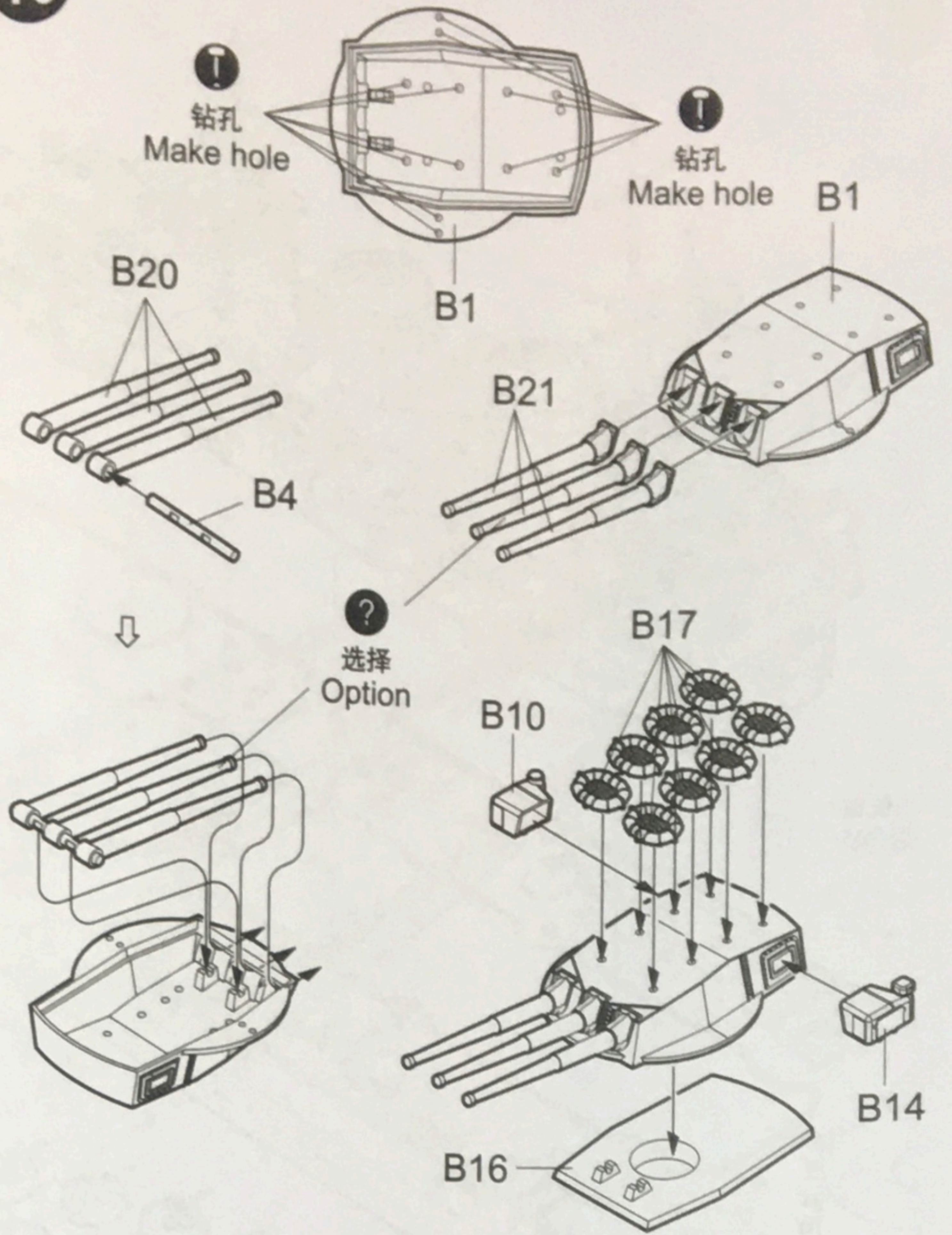




15



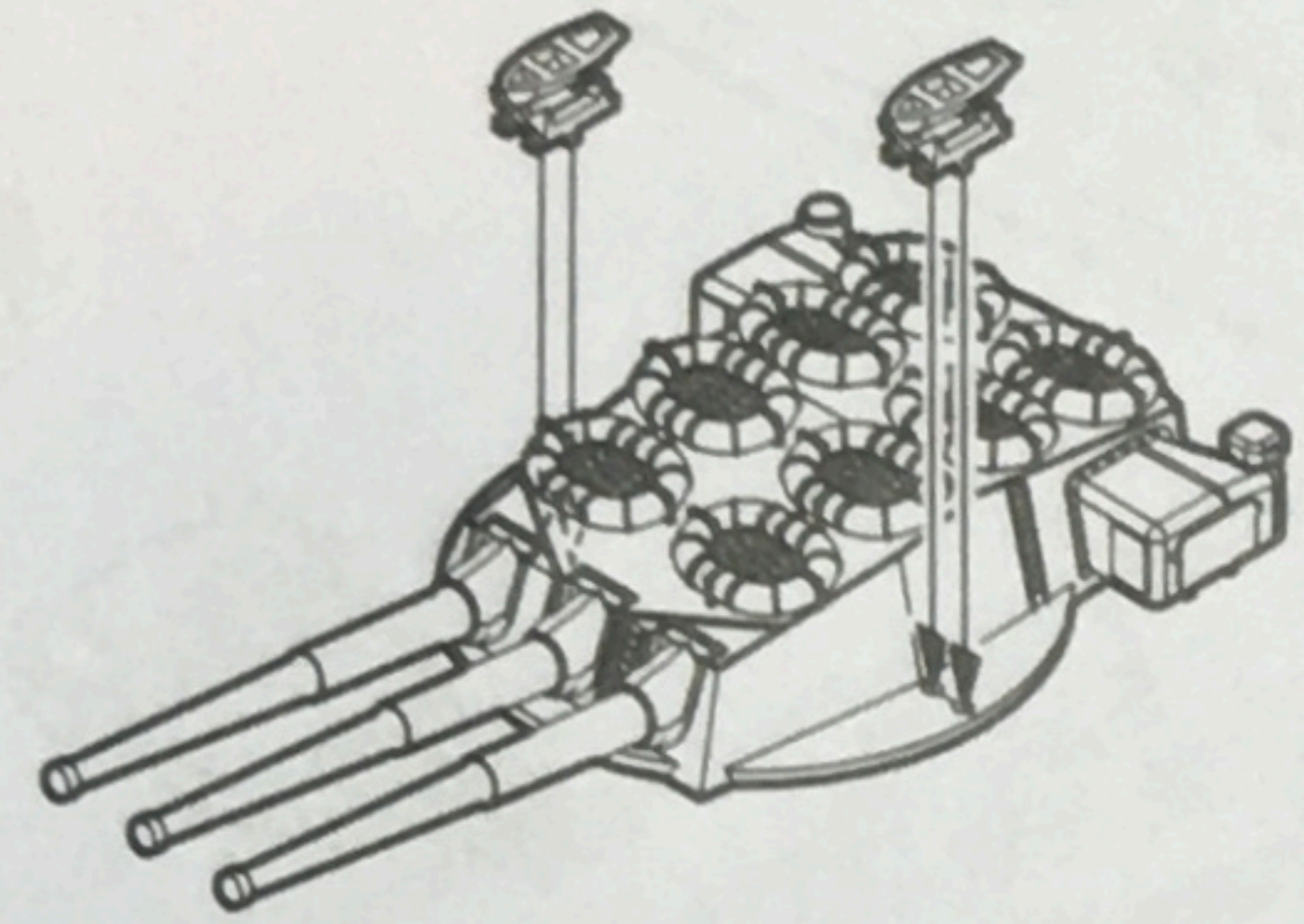
16



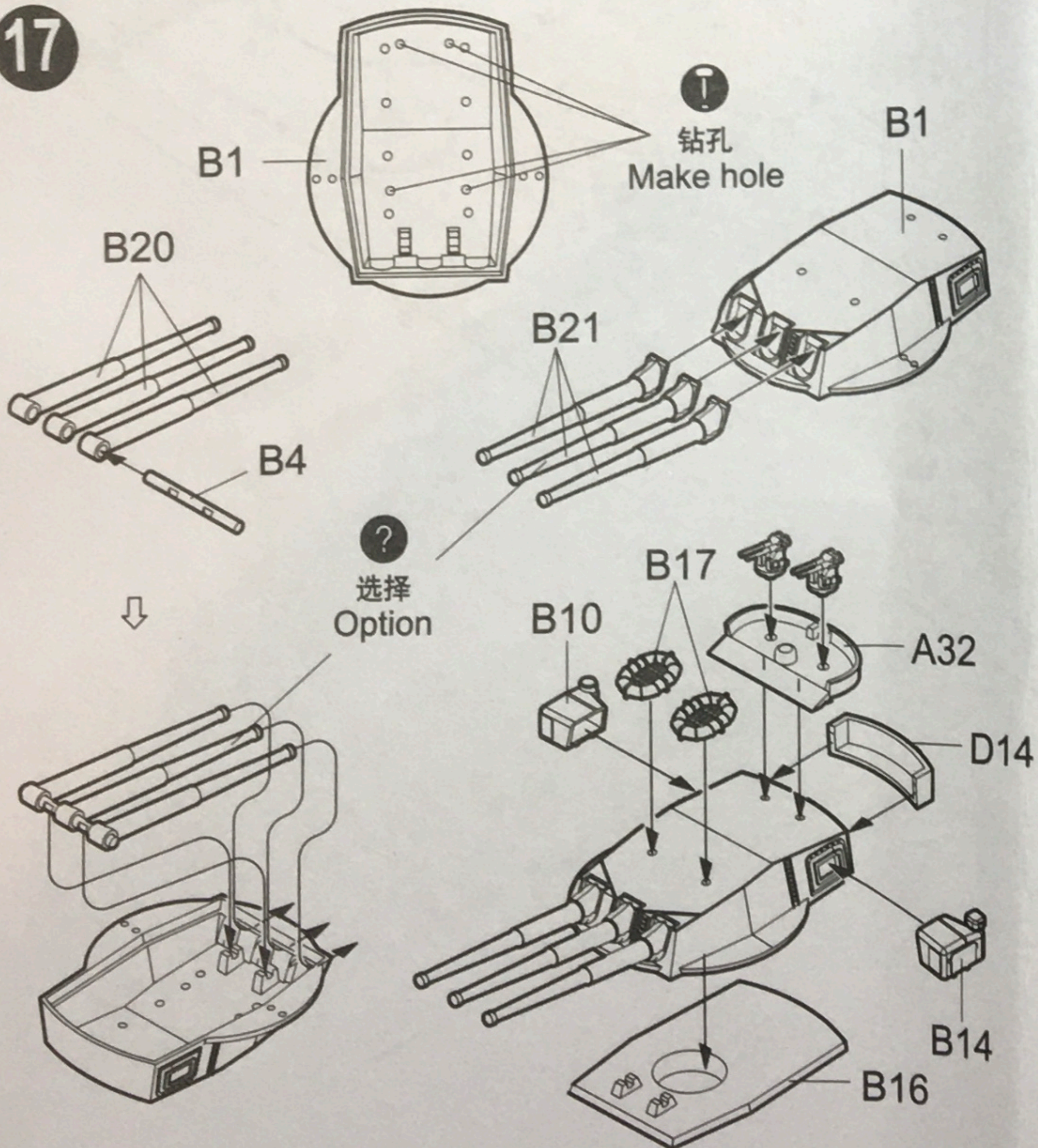
D9

D12

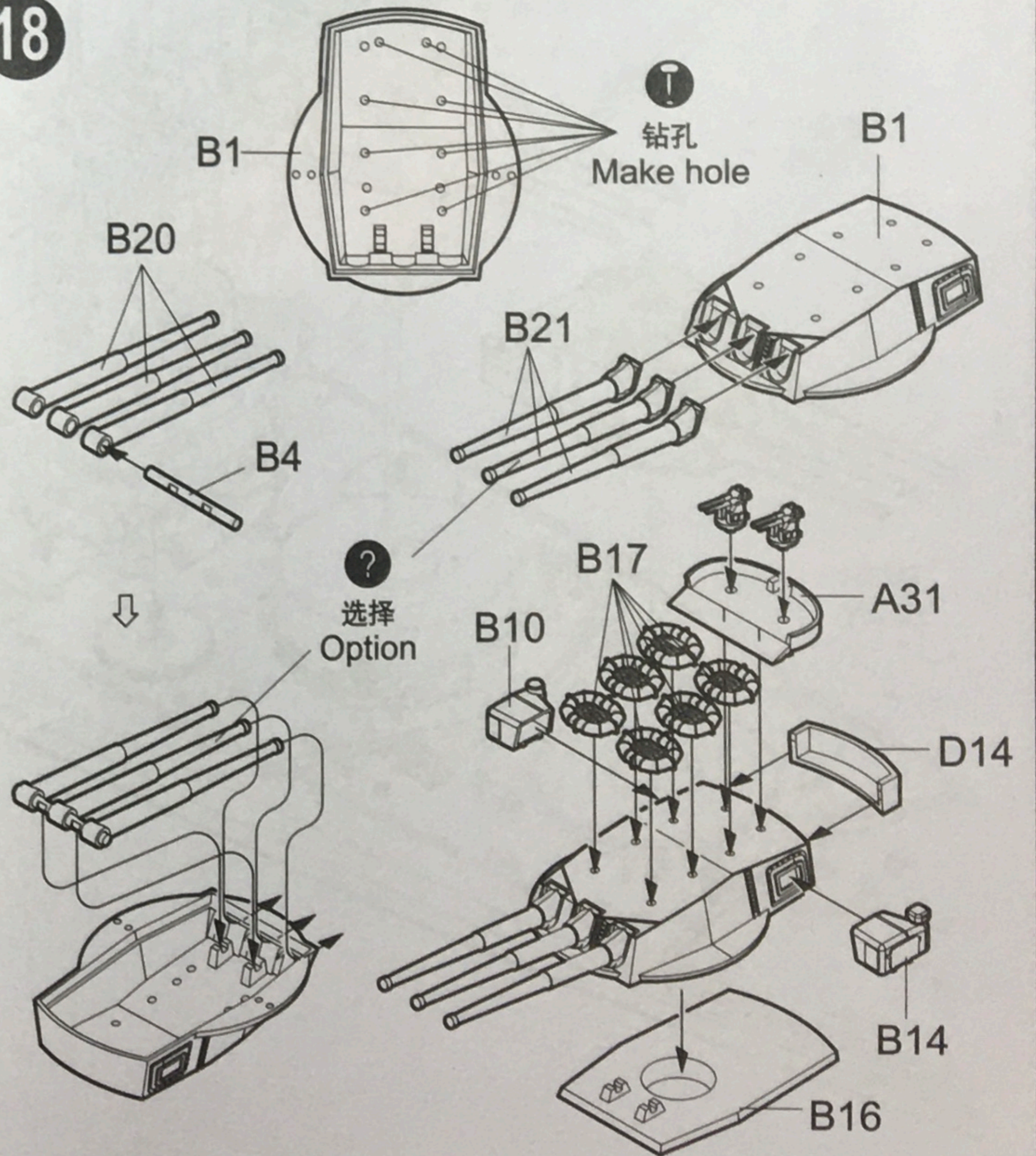
制作2套
Make two

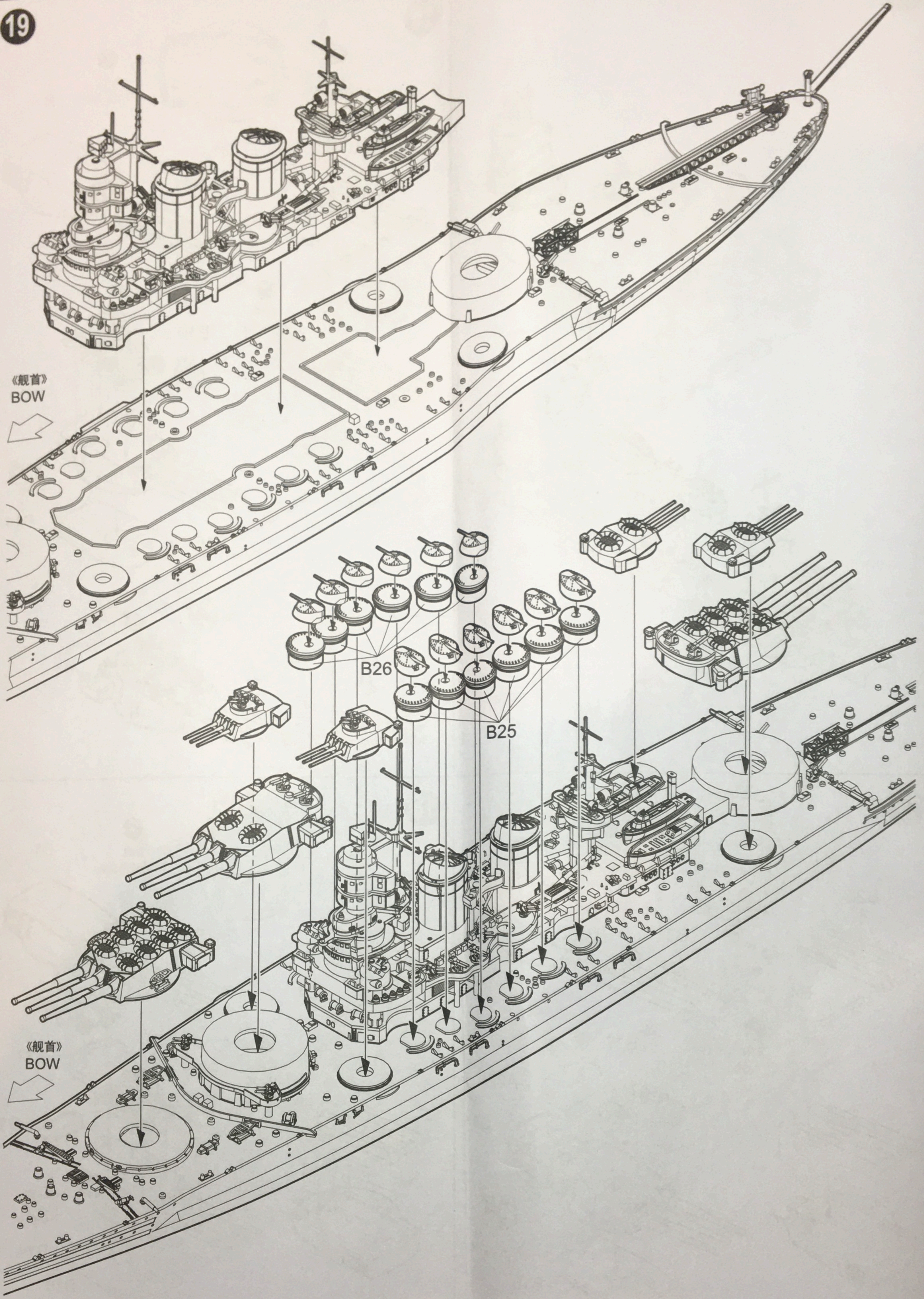


17

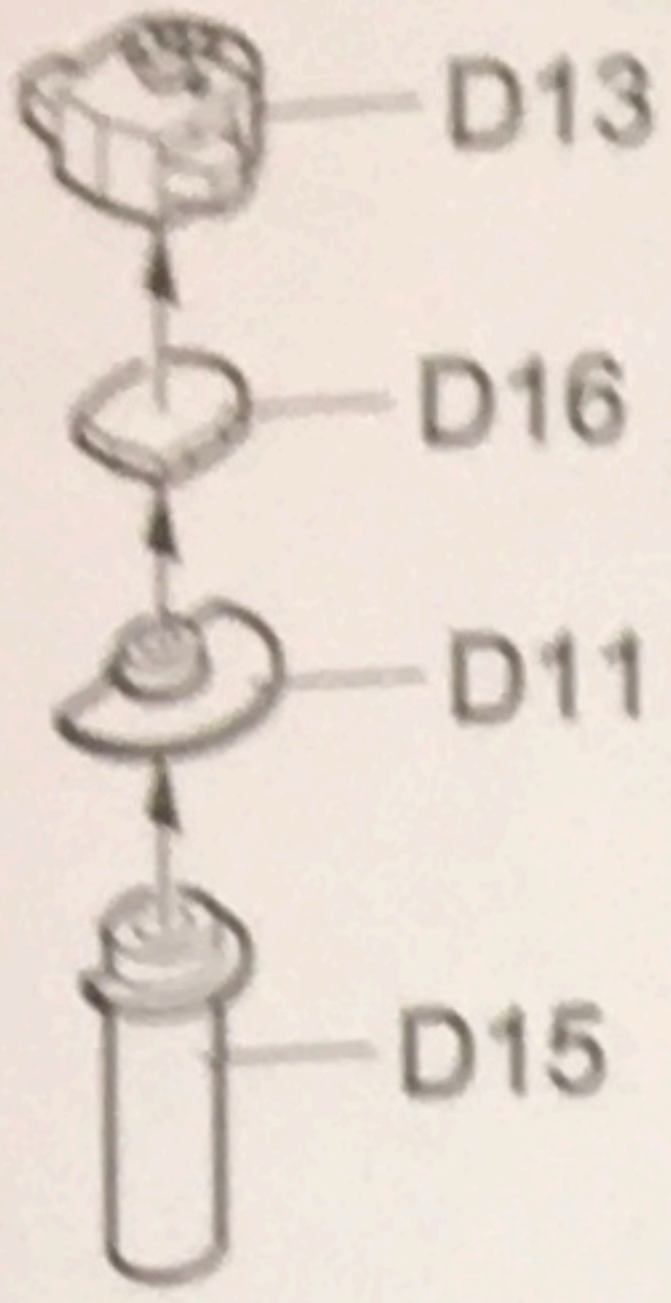


18



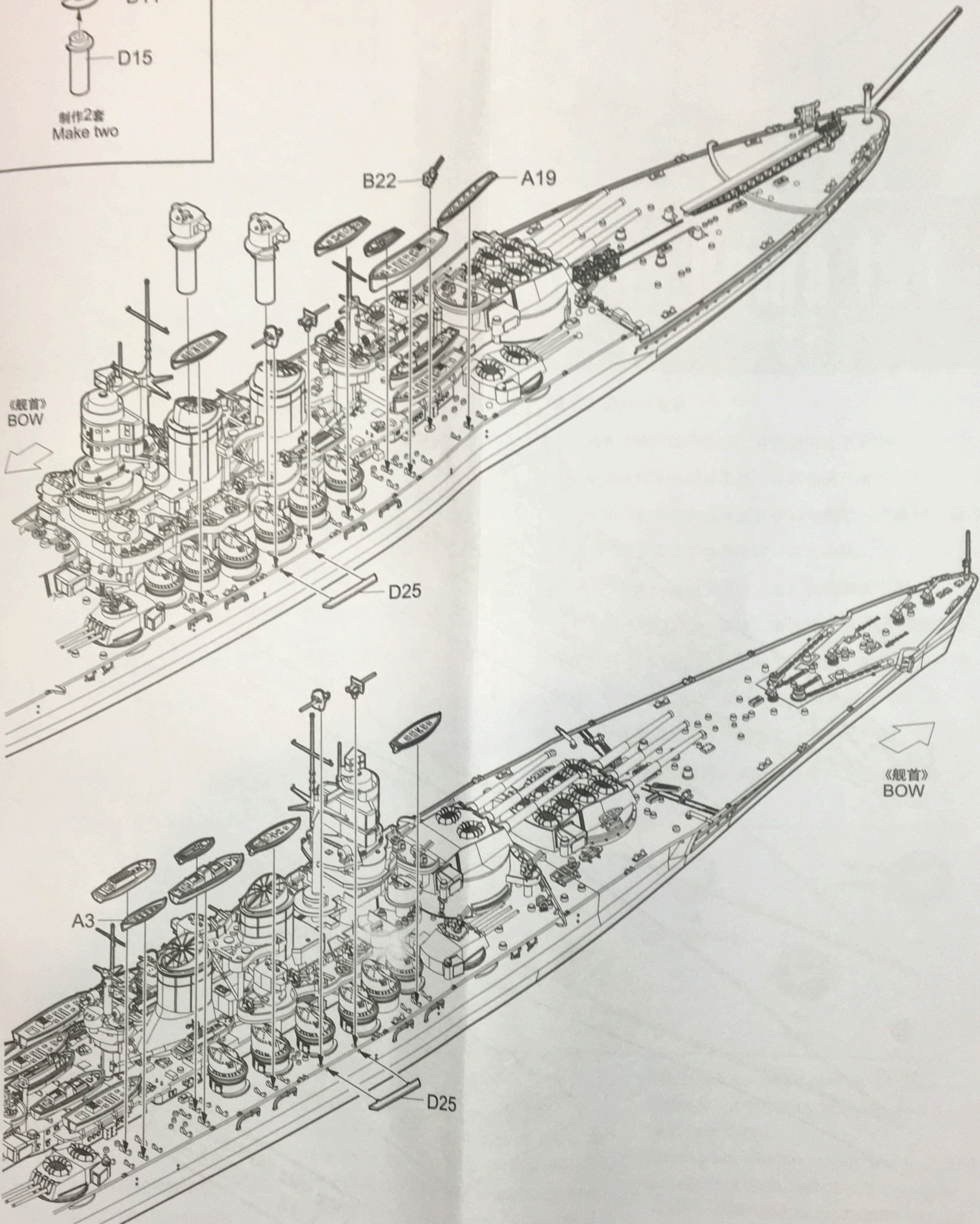


20

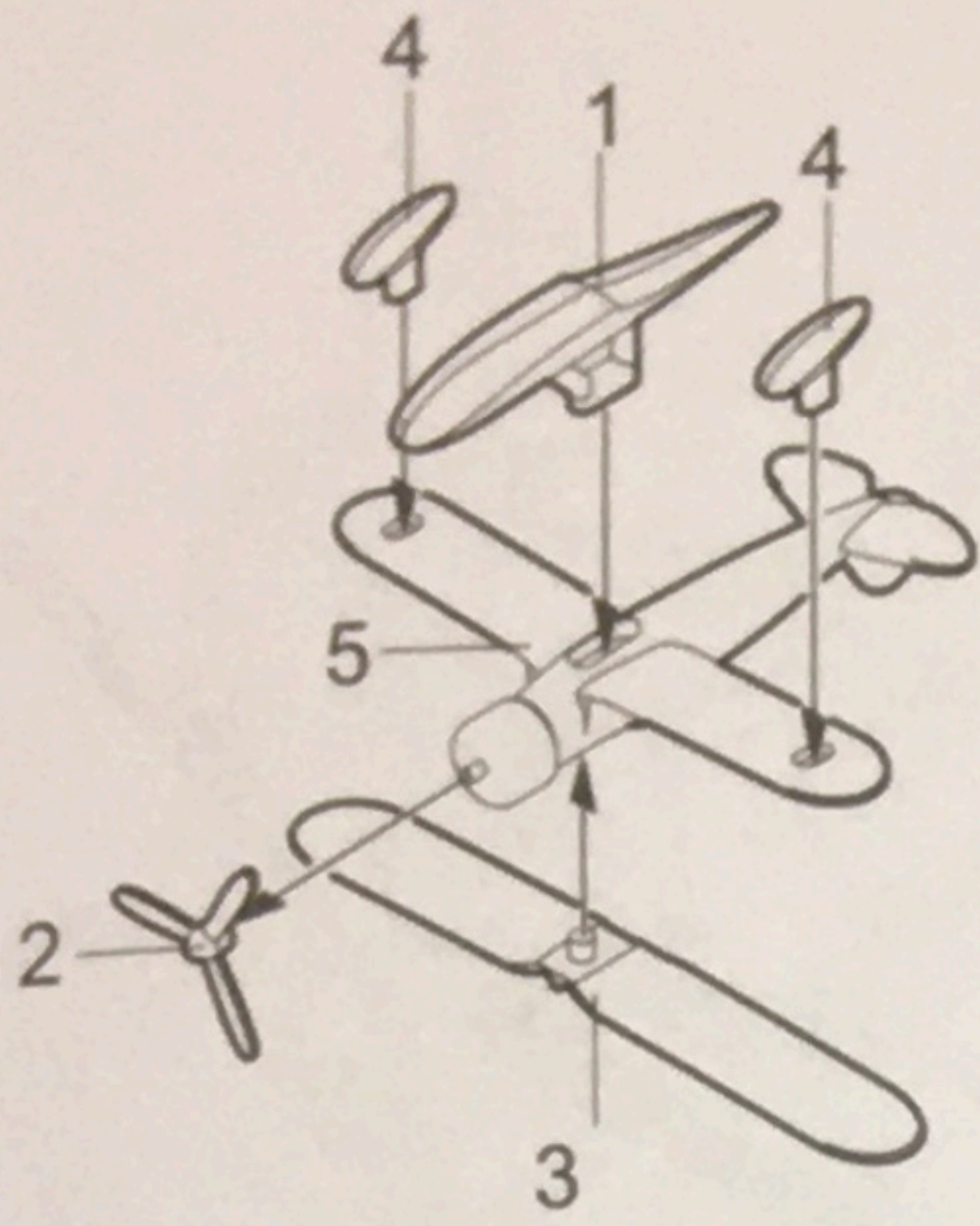


制作2套
Make two

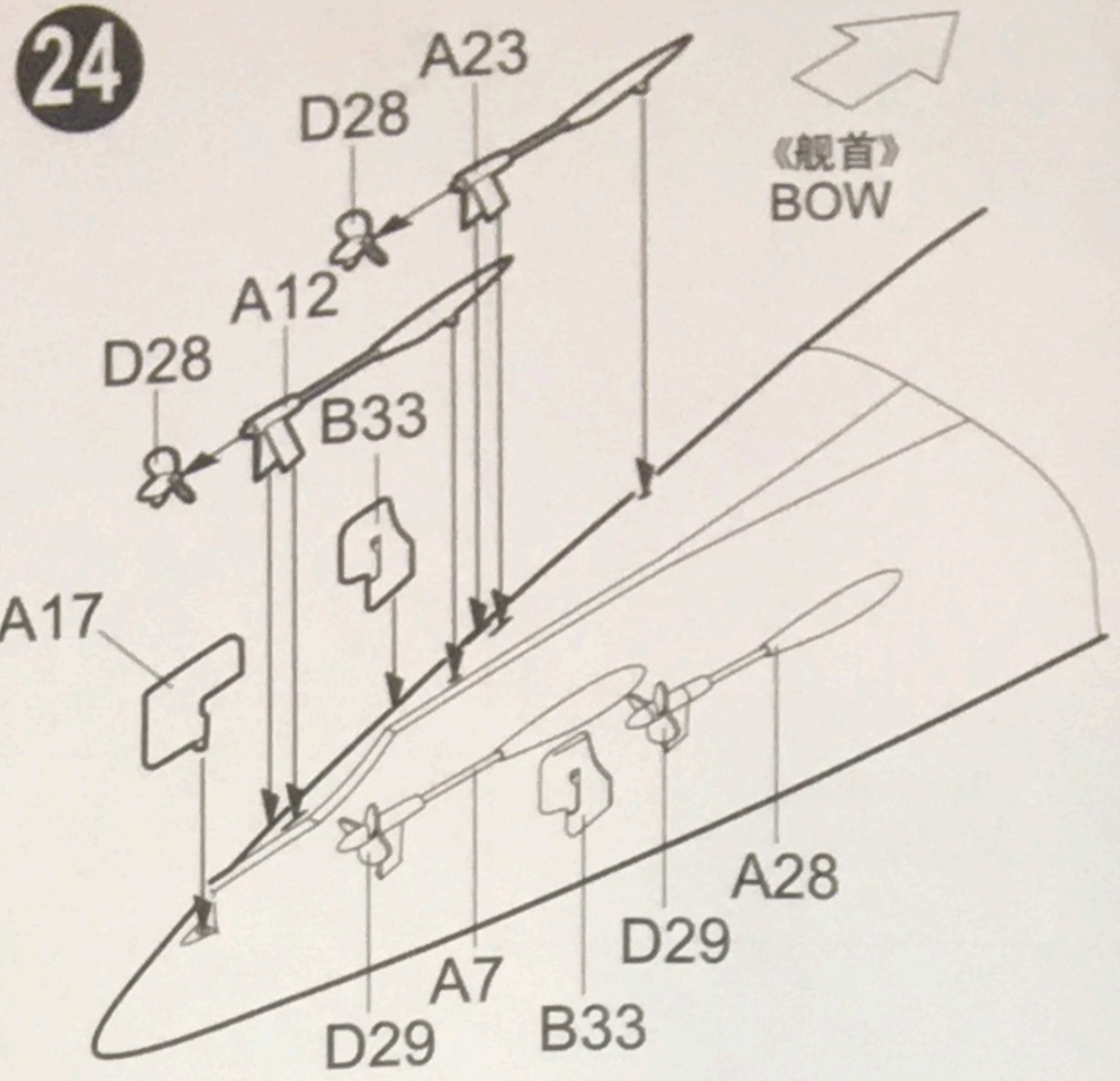
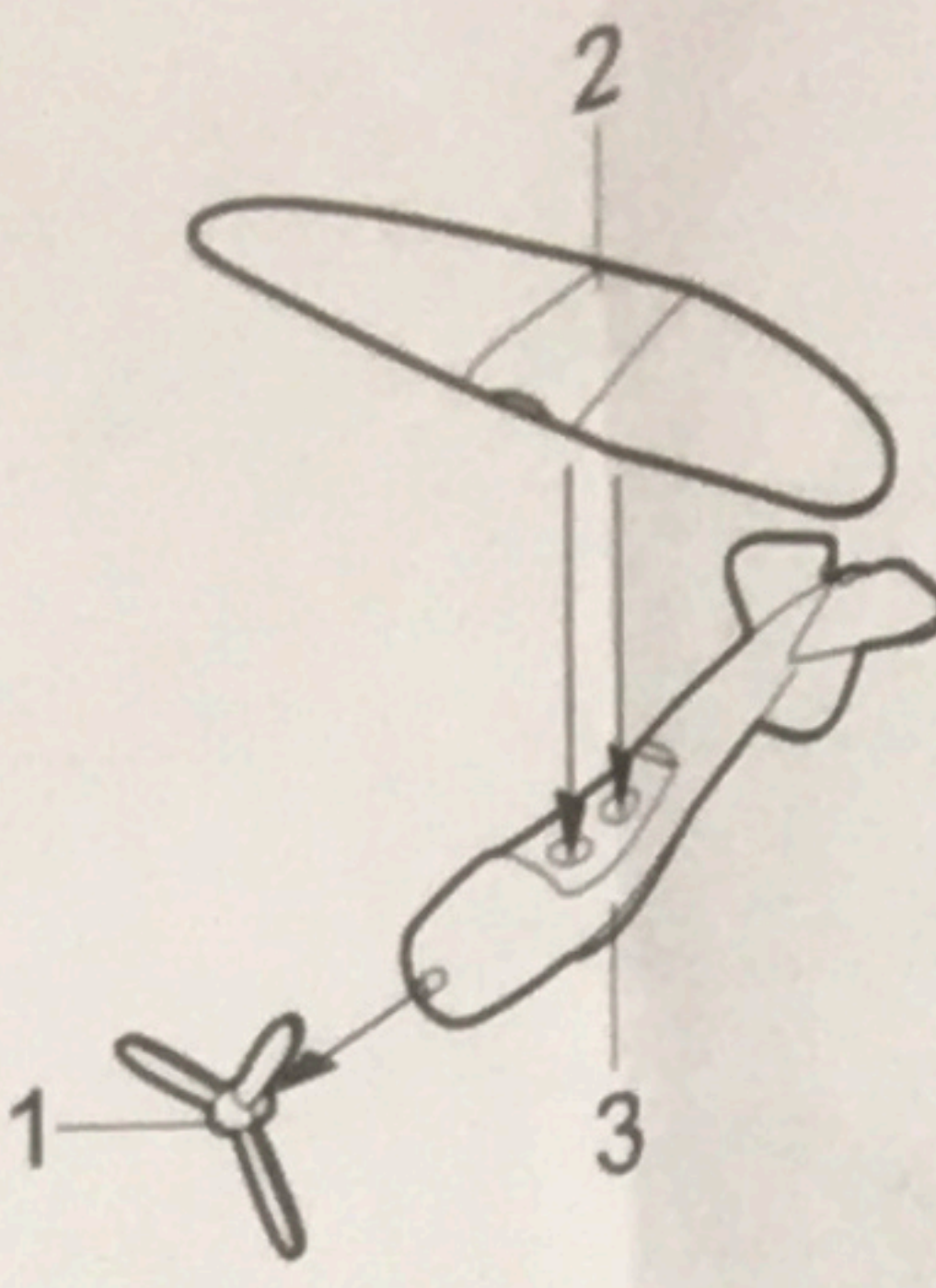
21



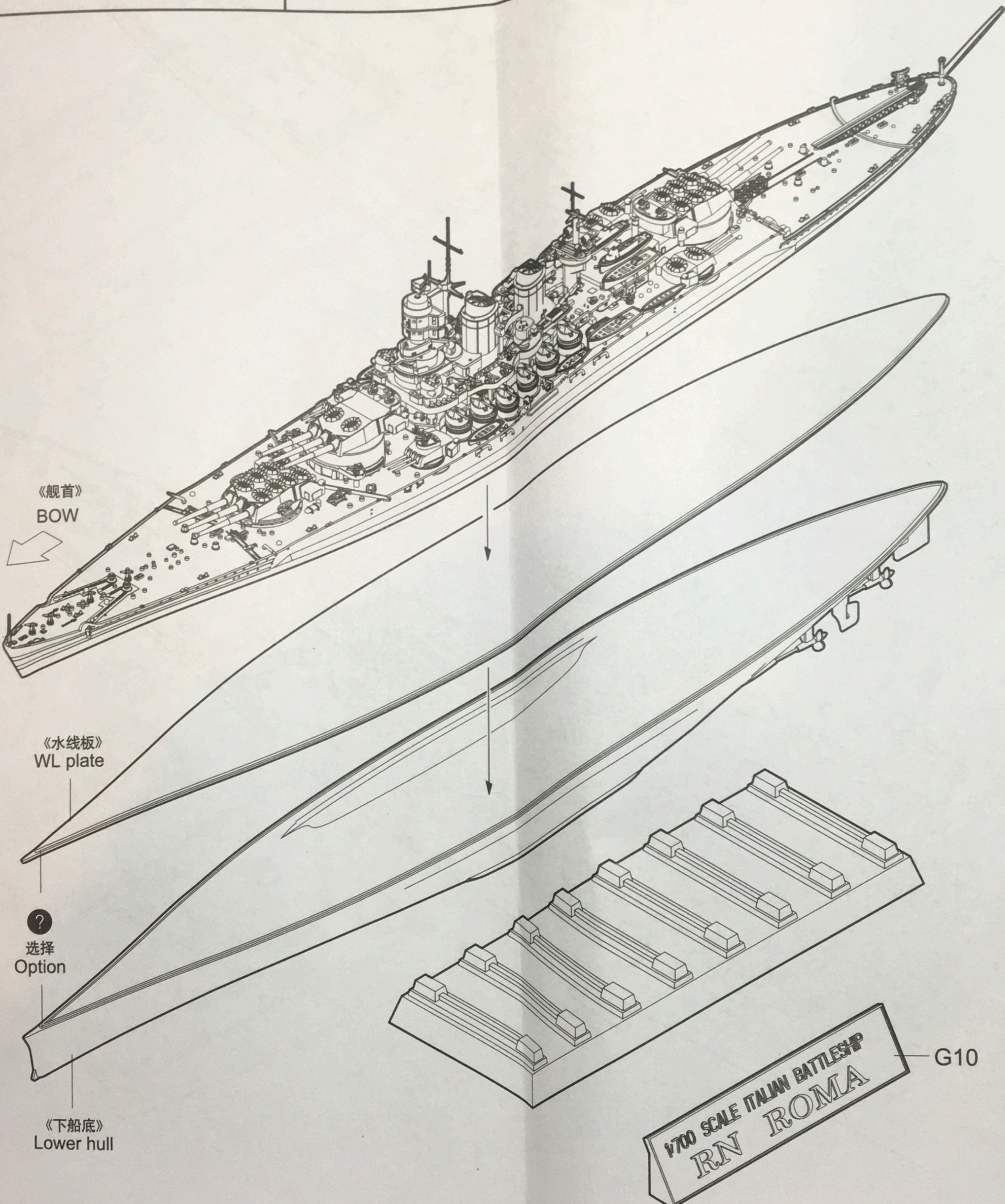
22 RO.43的组装
Assembly of RO.43



23 RE.2000的组装
Assembly of RE.2000



25



涂装同标贴指示 Painting & Marking guide

| Color | Mr.Hobby | Vallejo | Model Master | Tamiya | Humbrol |
|----------------------|----------|---------|--------------|--------|---------|
| Bright Red 红色 | H 3 3 | 908 | 1503 | X7 | 19 |
| Flat Black 消光黑 | H 12 33 | 950 | 1749 | XF1 | 33 |
| Hot Red 暖底红 | H 17 29 | 985 | - | XF9 | 177 |
| Tan 黄褐色 | H 27 44 | 981 | - | - | 9 |
| Gold 金色 | H 9 9 | 878 | 1744 | X12 | 16 |
| Flat White 消光白 | H 11 62 | 951 | 1768 | XF2 | 34 |
| Orange Yellow 黄褐色 | H 24 58 | - | - | - | - |
| Tire Black 胎黑色 | H 77 137 | - | - | - | - |

| Color | Mr.Hobby | Vallejo | Model Master | Tamiya | Humbrol |
|------------------|-----------|---------|--------------|--------|---------|
| Ljn Green 翠绿 | H 59 15 | 892 | - | XF11 | 75 |
| Rim's Gray 灰马 | H 69 37 | - | - | - | - |
| Gray 灰色 | H 308 308 | 990 | 1728 | XF19 | 127 |
| Silver 银色 | H 8 8 | 997 | 1546 | X11 | 11 |
| Navy Blue 海军蓝 | H 54 14 | - | - | - | 77 |



H AQUEOUS HOBBY COLOR ■ Mr. COLOR

05777 1/700 Italian Navy Battleship RN Roma 1943