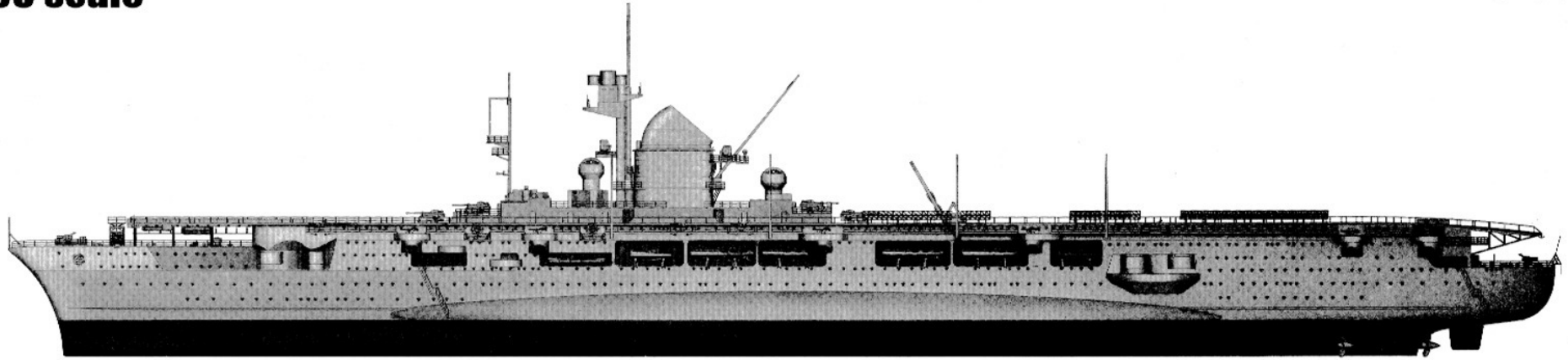


1/350 scale

ITEM NO.:05628



German Navy Aircraft Carrier DKM Peter Strasser

德国海军“彼得·斯特拉塞”号航空母舰

READ BEFORE ASSEMBLY:

- This kit is not recommended for inexperienced modelers or for children under 14 years of age
- Study and understand these instructions thoroughly before beginning assembly
- When needed, remove photo-etch parts carefully using a modeling knife or photo etch sprue cutter, being careful not to damage or lose small parts.
- Take extra care in handling photo etch parts in order to avoid injury
- Apply instant cement sparingly to photo etch parts where instructed

- Tools recommended(not included in kit):Plastic and instant cements,sprue cutters,long nose pliers,,modeling knife, small files, tweezers, pin vise & scissors. Soft cloth and sandpaper will also assist in construction
- Glue and paint are not included in the kit. Use plastic cement and hobby paints only. Color guide for purchasing paint is included in the kit.
- Keep out of reach of small children. They must not be allowed to ingest small parts or handle plastic bags in any way.

装配之前仔细阅读

- 小心用模型锉刀锉平所有零件表面的注射浇口。
- 小心用刀片切下蚀刻片零件，不要遗失小零件。
- 用强力快干胶水粘合蚀刻片零件和金属轴。过量的快干胶水使用可能导致可动零件会粘住，小心涂胶。
- 取蚀刻片时应特别注意安全，防止利边划伤手指。
- 某些零件表面需贴水贴纸，请选择在装配的同时进行。
- 推荐模型工具(自备)：胶水，水口剪刀，长咀钳，刀片，锉刀，镊子钳，钻，剪刀，瞬间快干胶。
- 软布同砂纸同时也应该是必备工具。
- 请使用塑料胶水和油漆，模型内不含。
- 谨防小孩吮吸塑料零件，或者将塑料袋套在头上，制作时应将套材远离小孩接触。
- 本产品不适合14岁以下没有经验的模型爱好者。

水贴纸的使用:

1. 从水贴纸上剪下印花;
2. 将印花放入温水中浸10秒，然后放在干净布上。
3. 拿着印花纸将印花移到模型上;
4. 手指蘸水将印花移到适当的位置;
5. 用软布轻压印花直至水干，气泡消失。

DECAL APPLICATION:

- 1.Cut decals from sheet as needed
2. Dip the decal in warm water for about 10 seconds and then place on soft clean cloth.
3. Hold the decal backing sheet edge and gently slide the decal onto the model in its proper position.

4. While still wet,decal can be adjusted for better fit on model by dampening it gently with your finger.
5. When placed in the proper position,gently press decal down with a soft cloth until excess water and air bubbles are gone.
6. Allow decal to dry completely before handling model



使用强力胶
Cyanoacrylate glue



配重
Weight



钻孔
Make hole



切除
Cut / Remove



先装
Install it first



贴纸
Decal



锉平
File / Sand



选择
Option



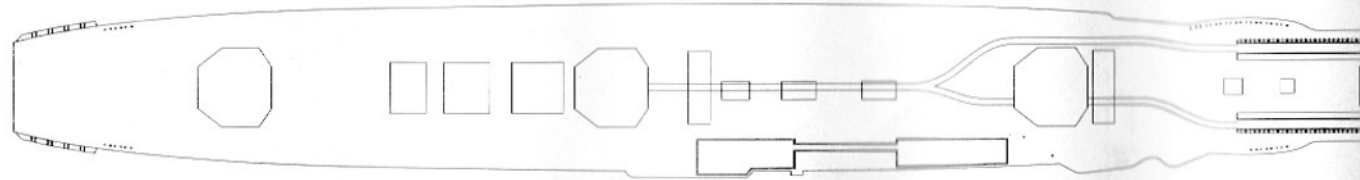
不涂胶水
No cement



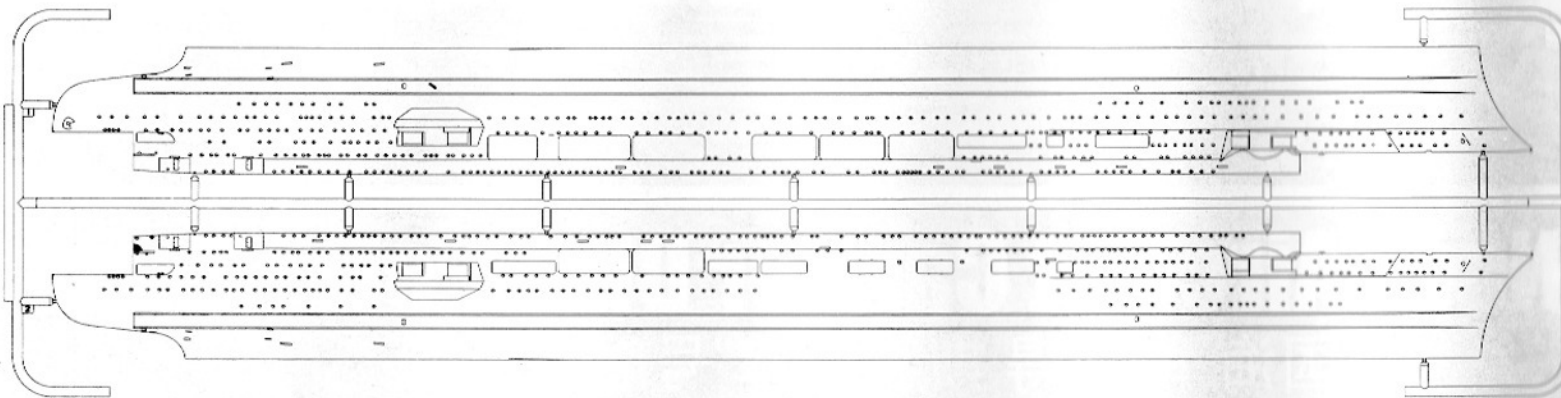
弯曲
Bend

部品图
Parts

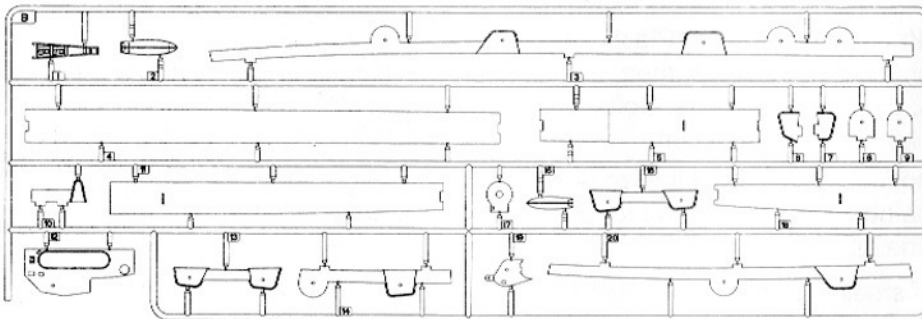
《甲板》
Deck



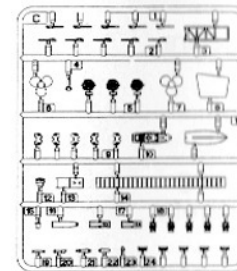
A



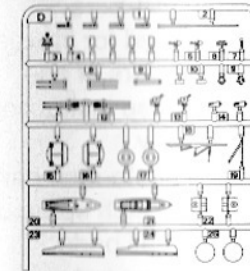
B



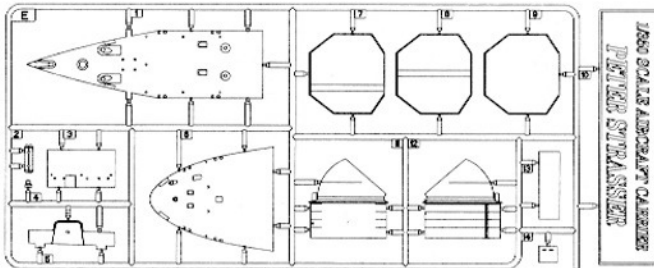
Cx2



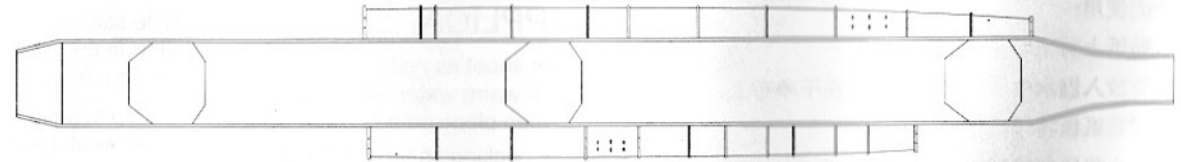
Dx4



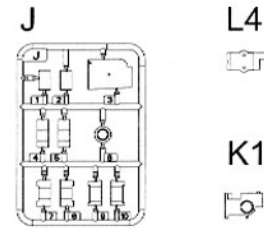
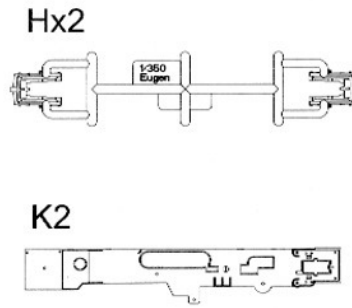
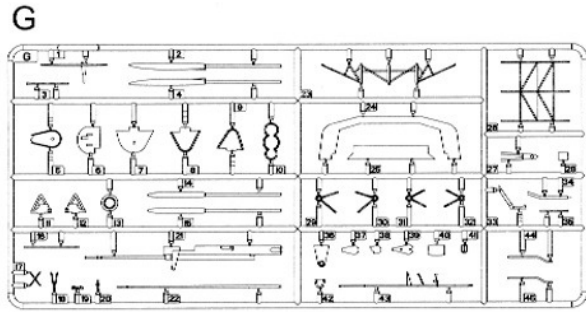
E



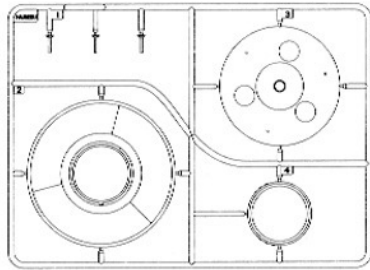
F



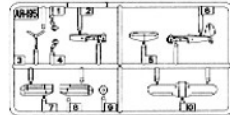
部品图Parts



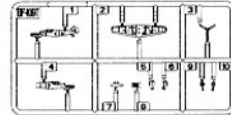
Haunebu



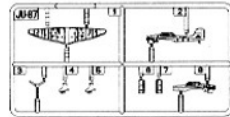
AR-195 x5



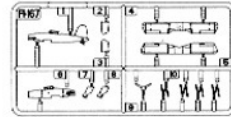
BF-109T x5



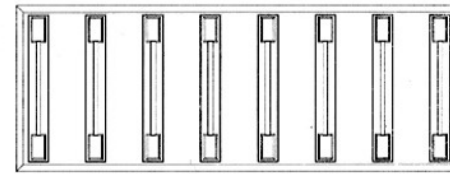
JU-87 x5



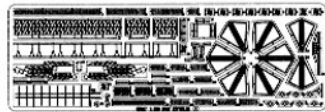
FI-167 x5



Stand



《蚀刻片》Ax2
PE-Ax2



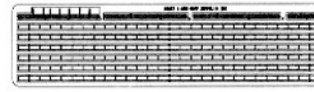
《蚀刻片》B
PE-B



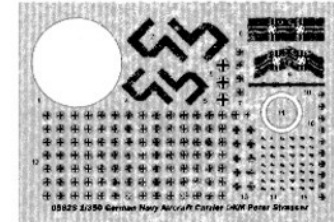
《蚀刻片》C
PE-C



《蚀刻片》D
PE-D



《水贴纸》
Decal



AR-195x5



BF-109



JU-87



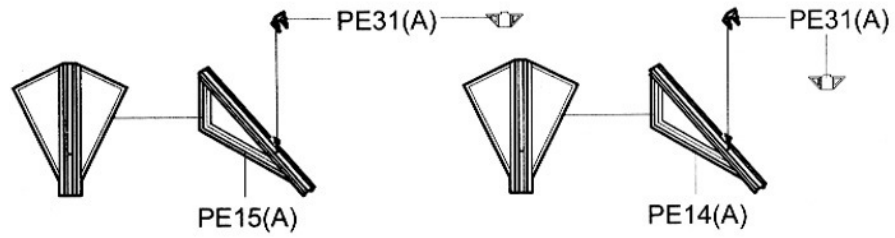
FI-167



《锚链》L:320
Chain



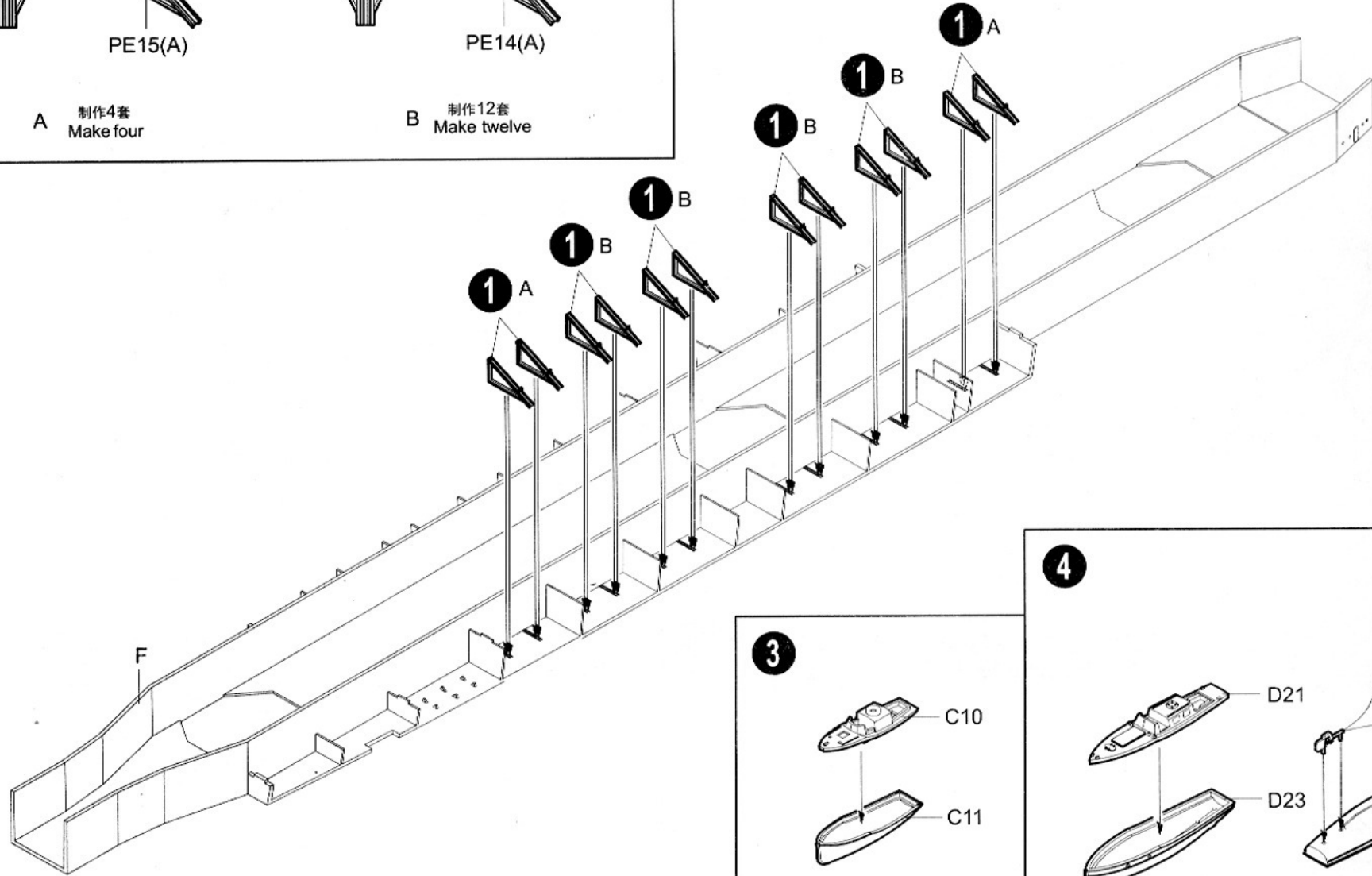
1



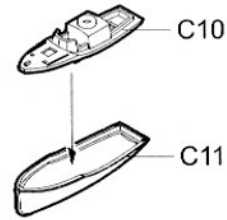
A 制作4套
Make four

B 制作12套
Make twelve

2

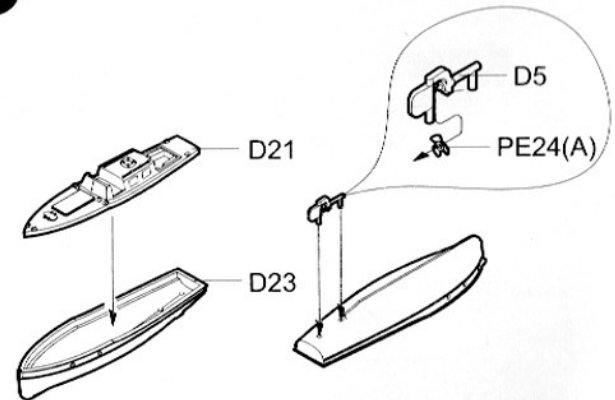


3



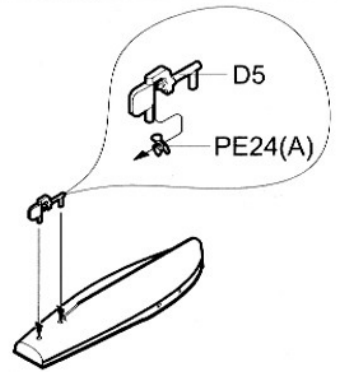
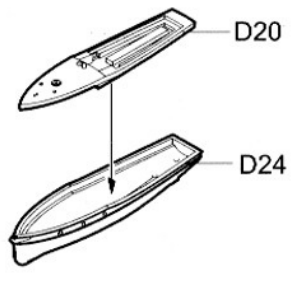
制作2套
Make two

4



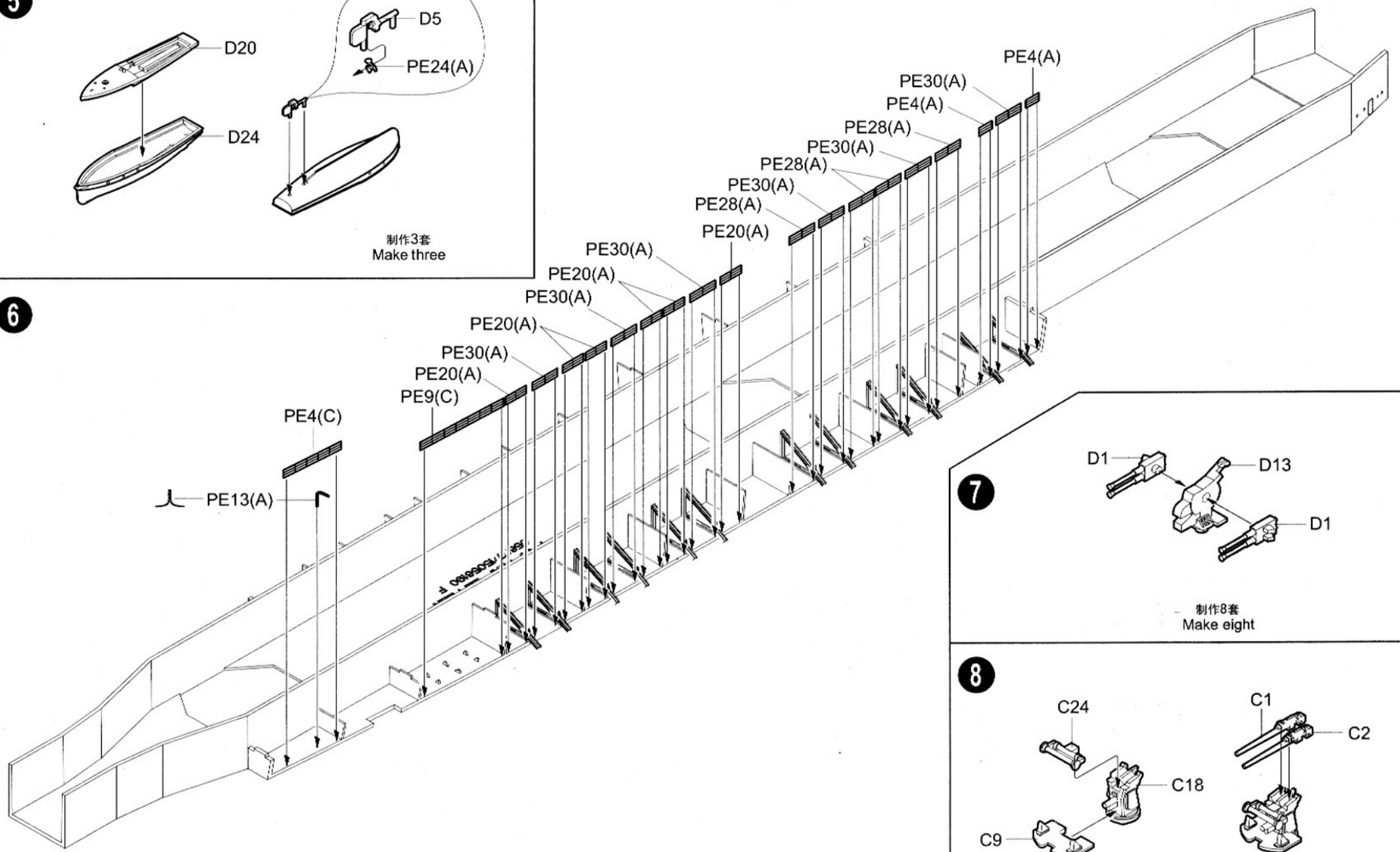
制作3套
Make three

5

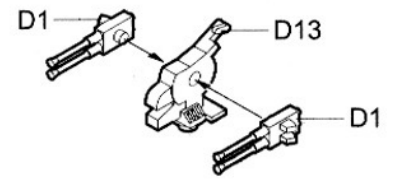


制作3套
Make three

6

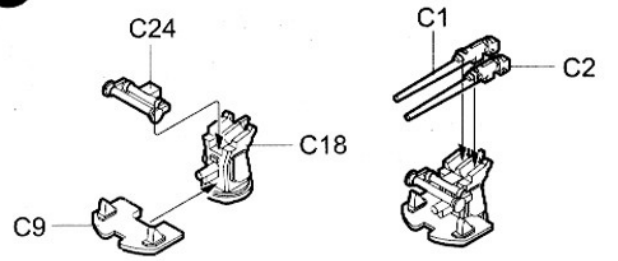


7



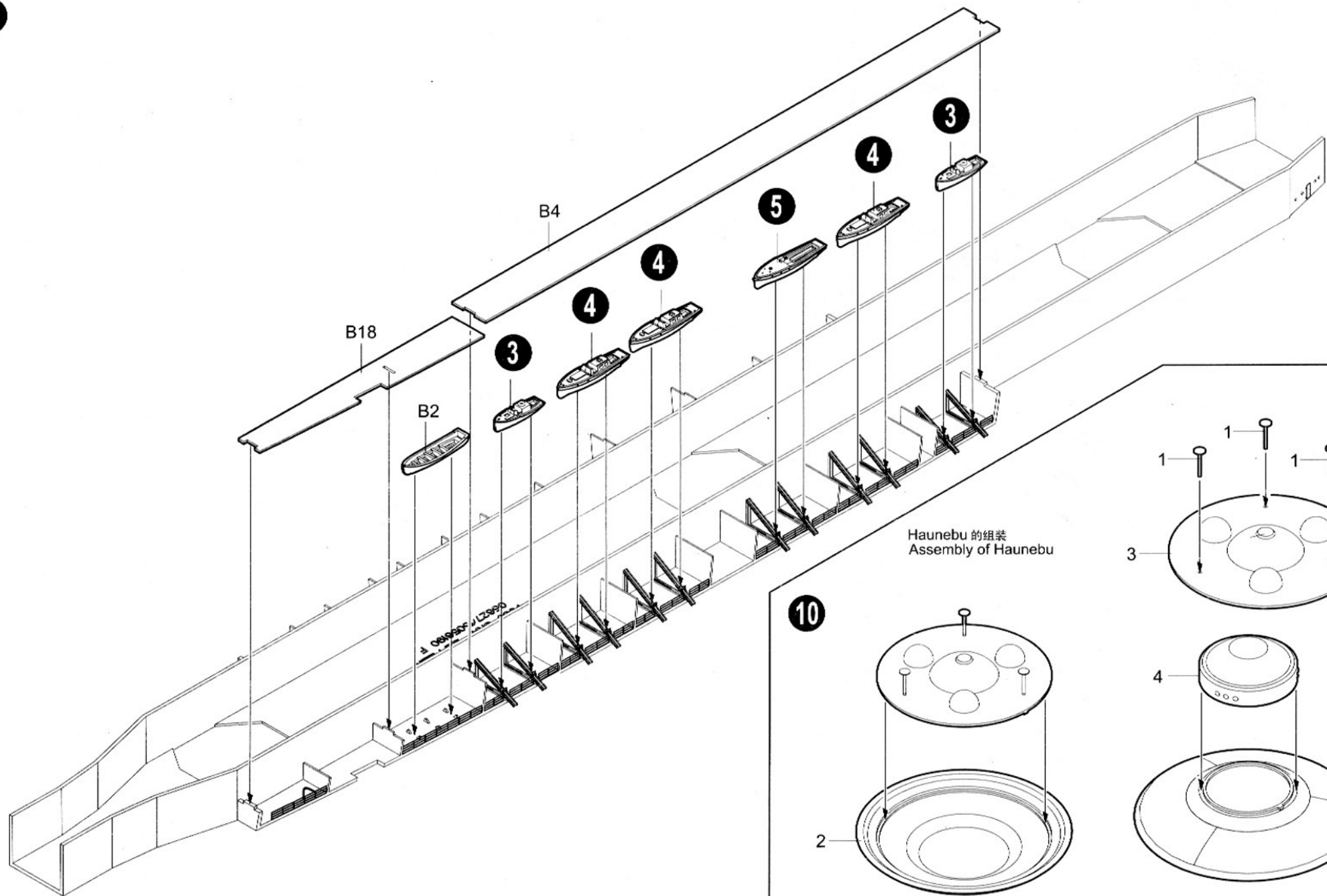
制作8套
Make eight

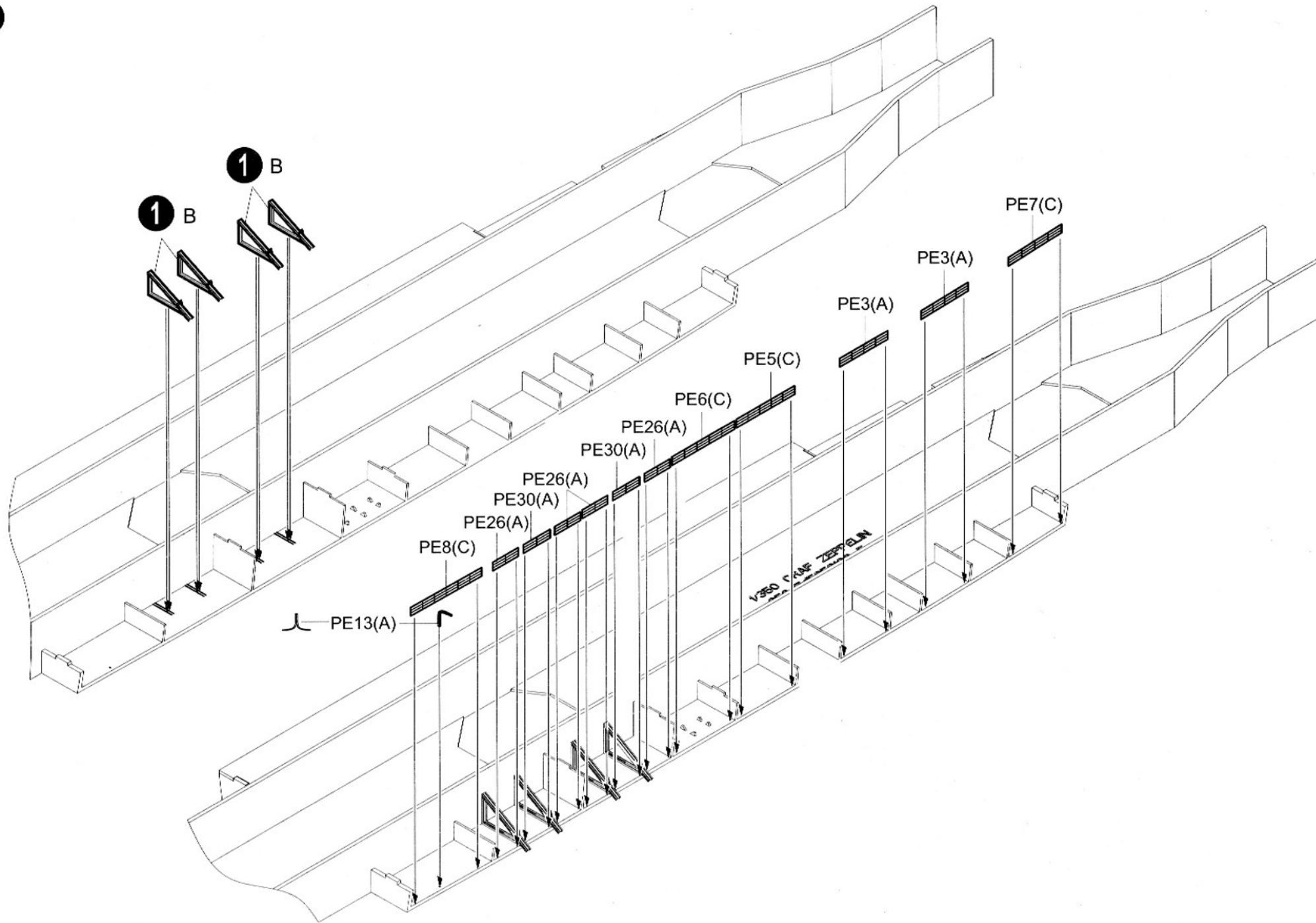
8

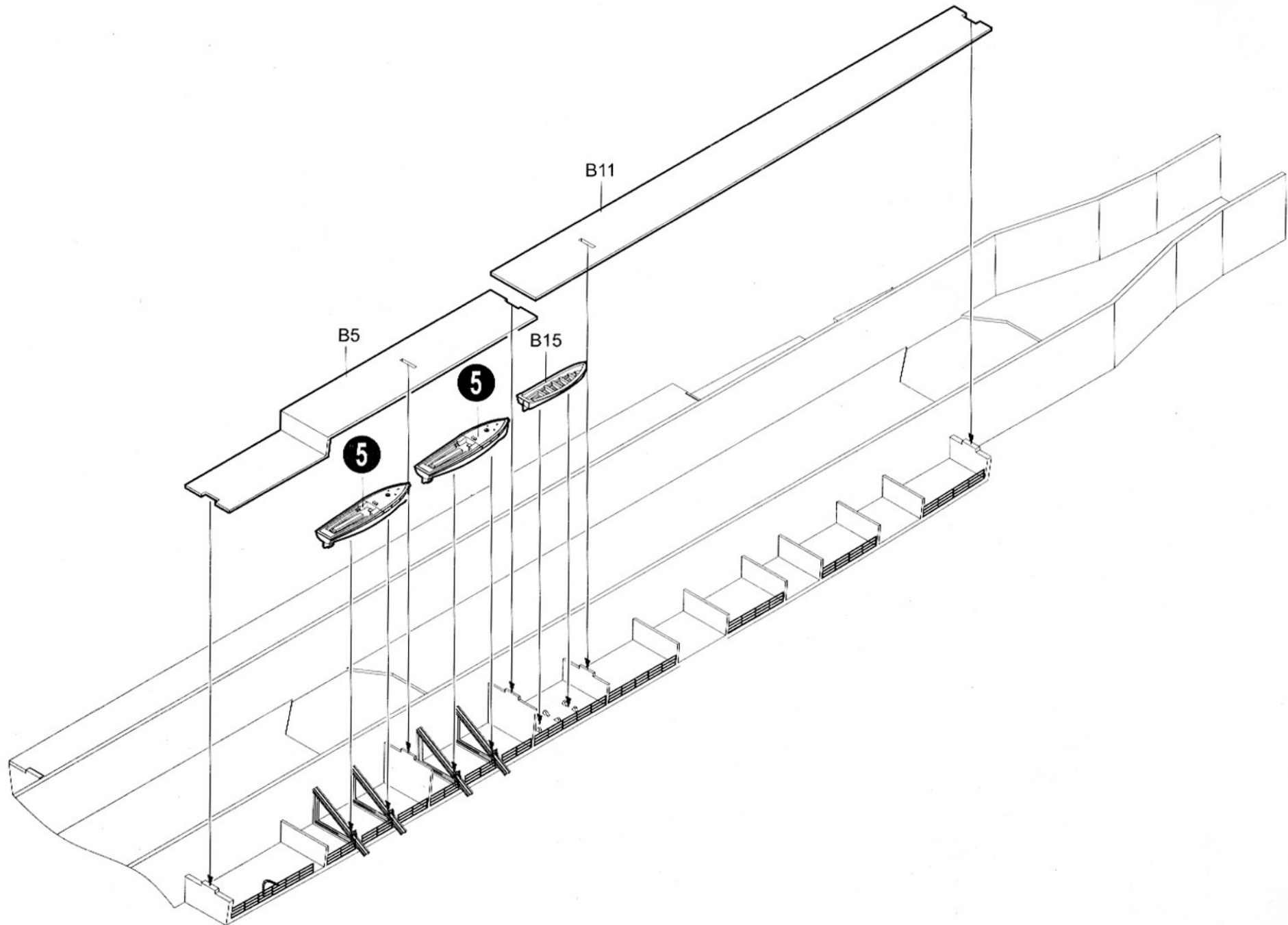


制作10套
Make ten

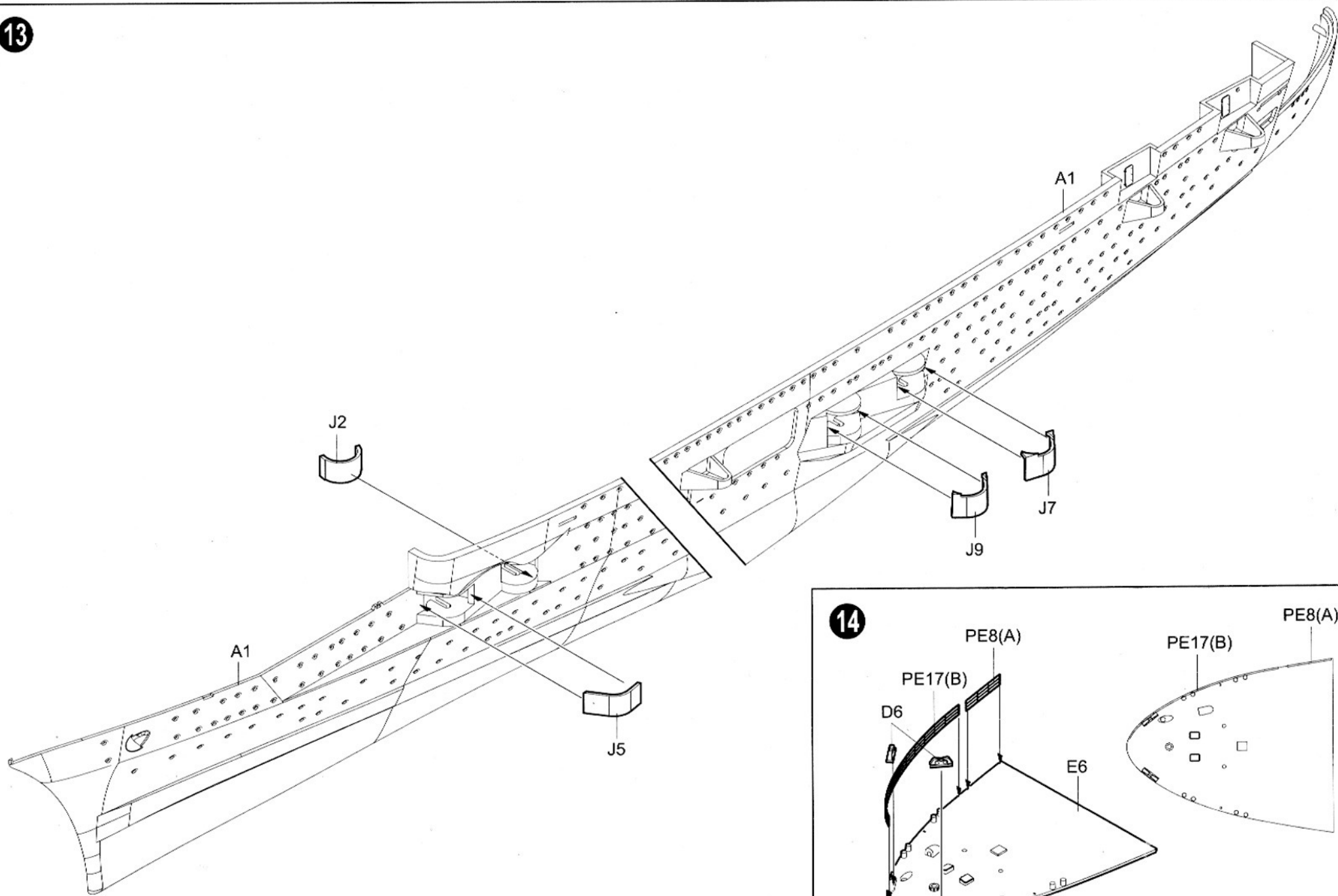
9



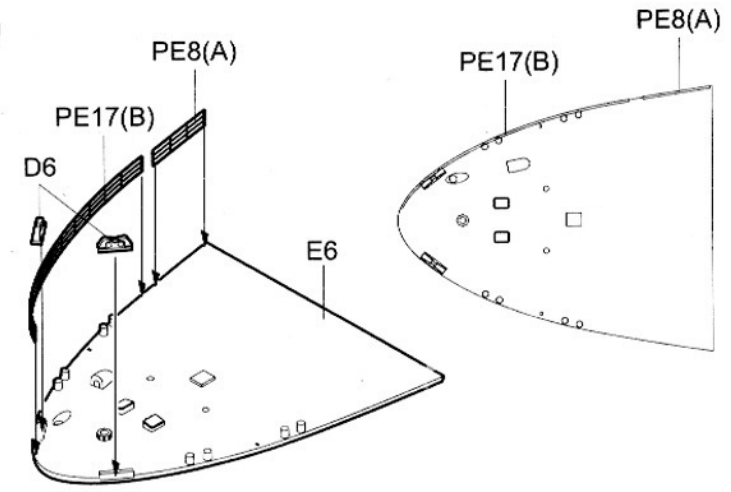




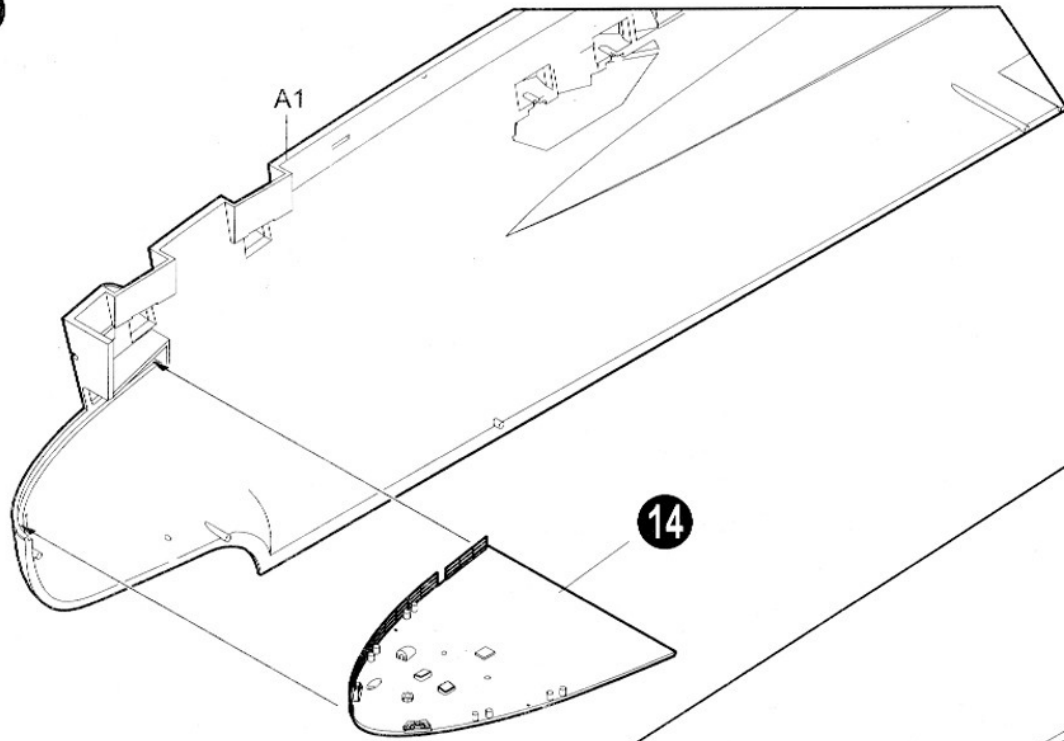
13



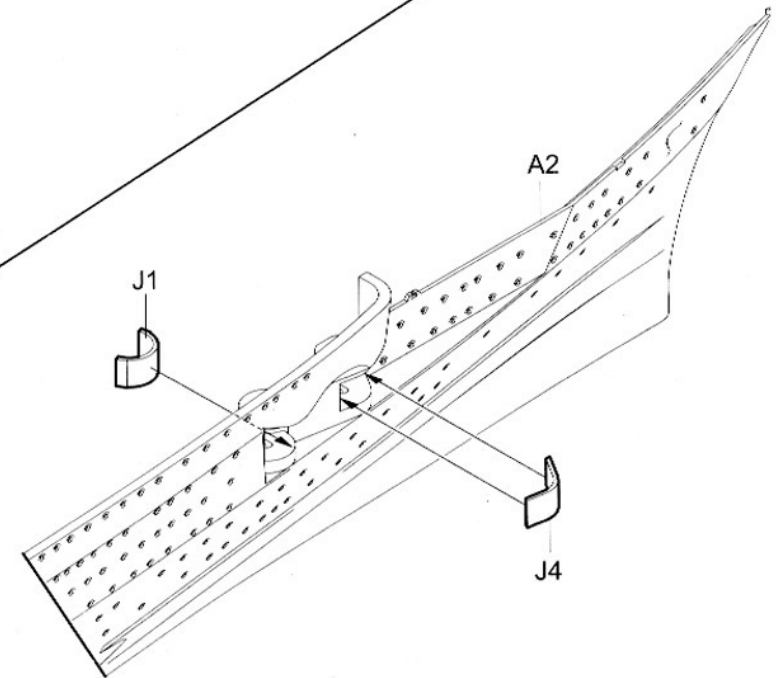
14



15



16



14

A2

J1

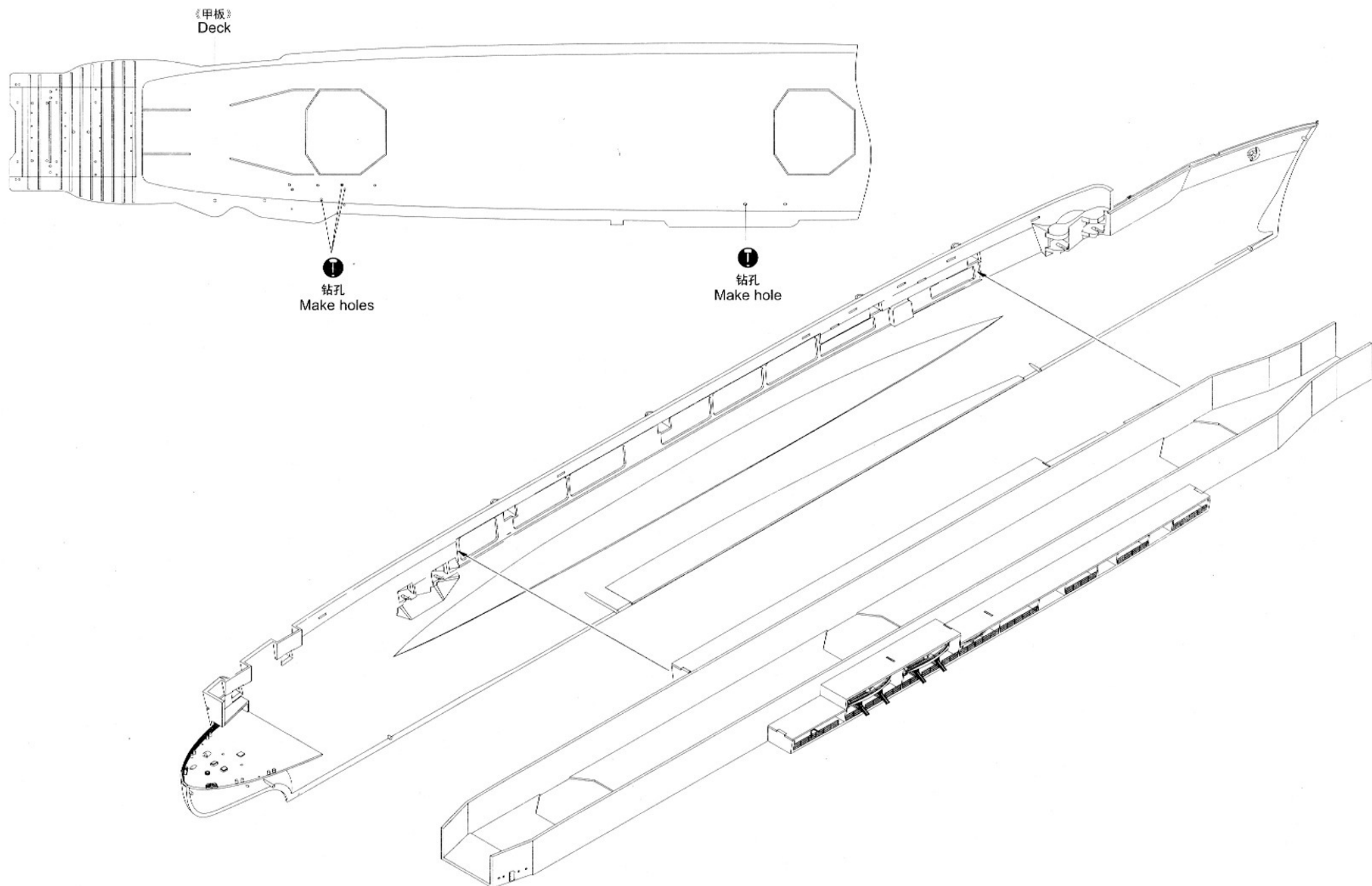
A2

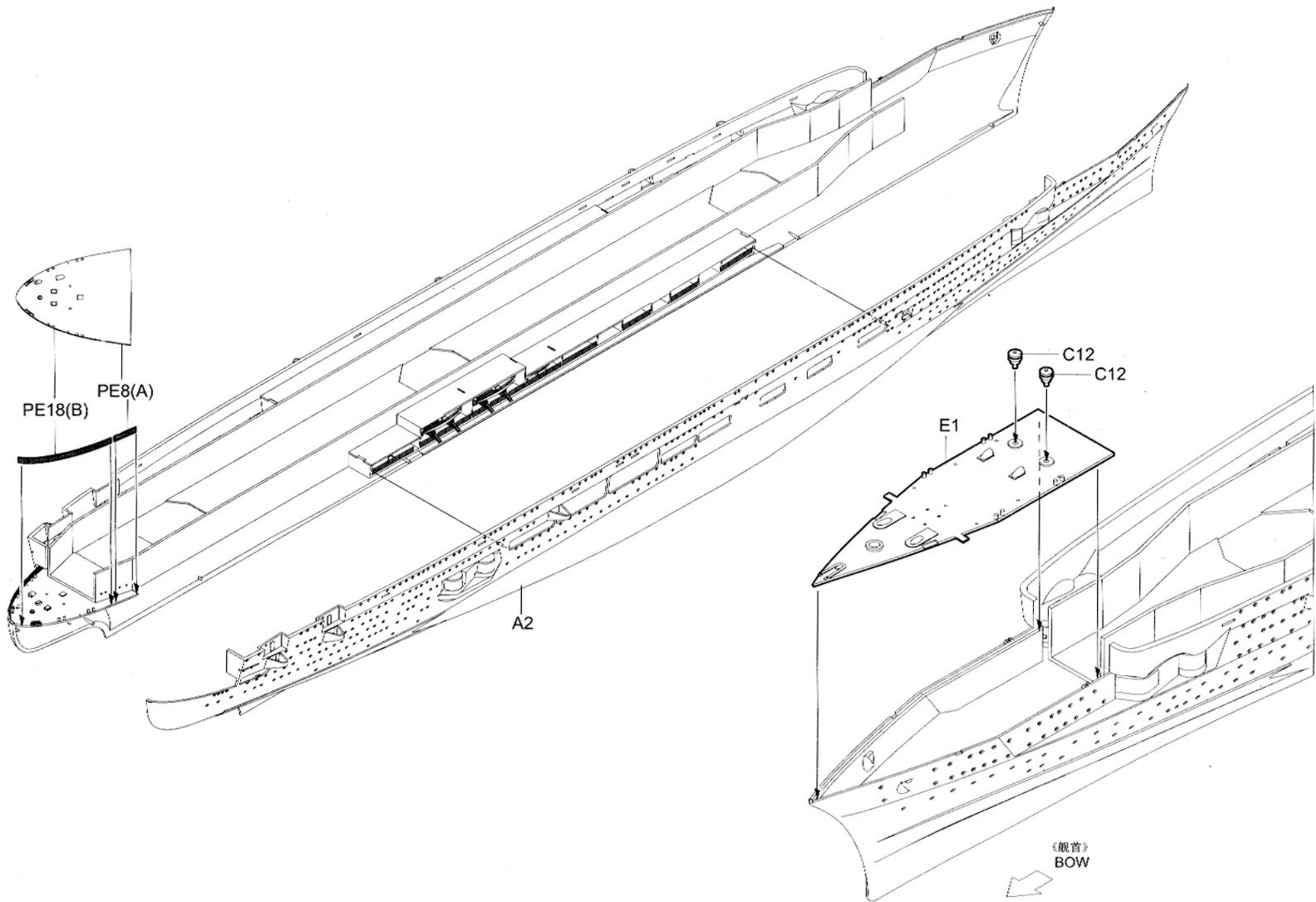
J4

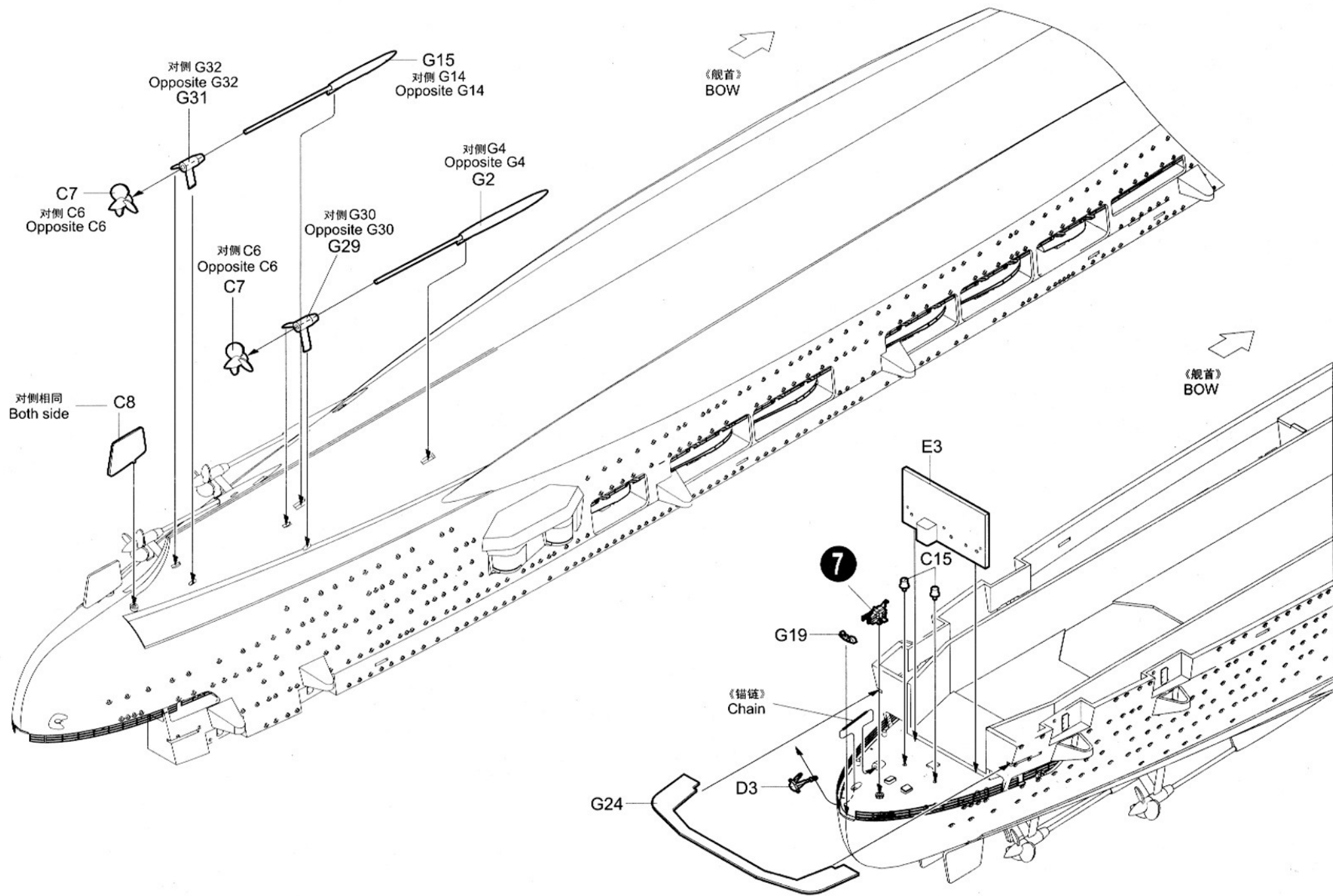
J10

J8

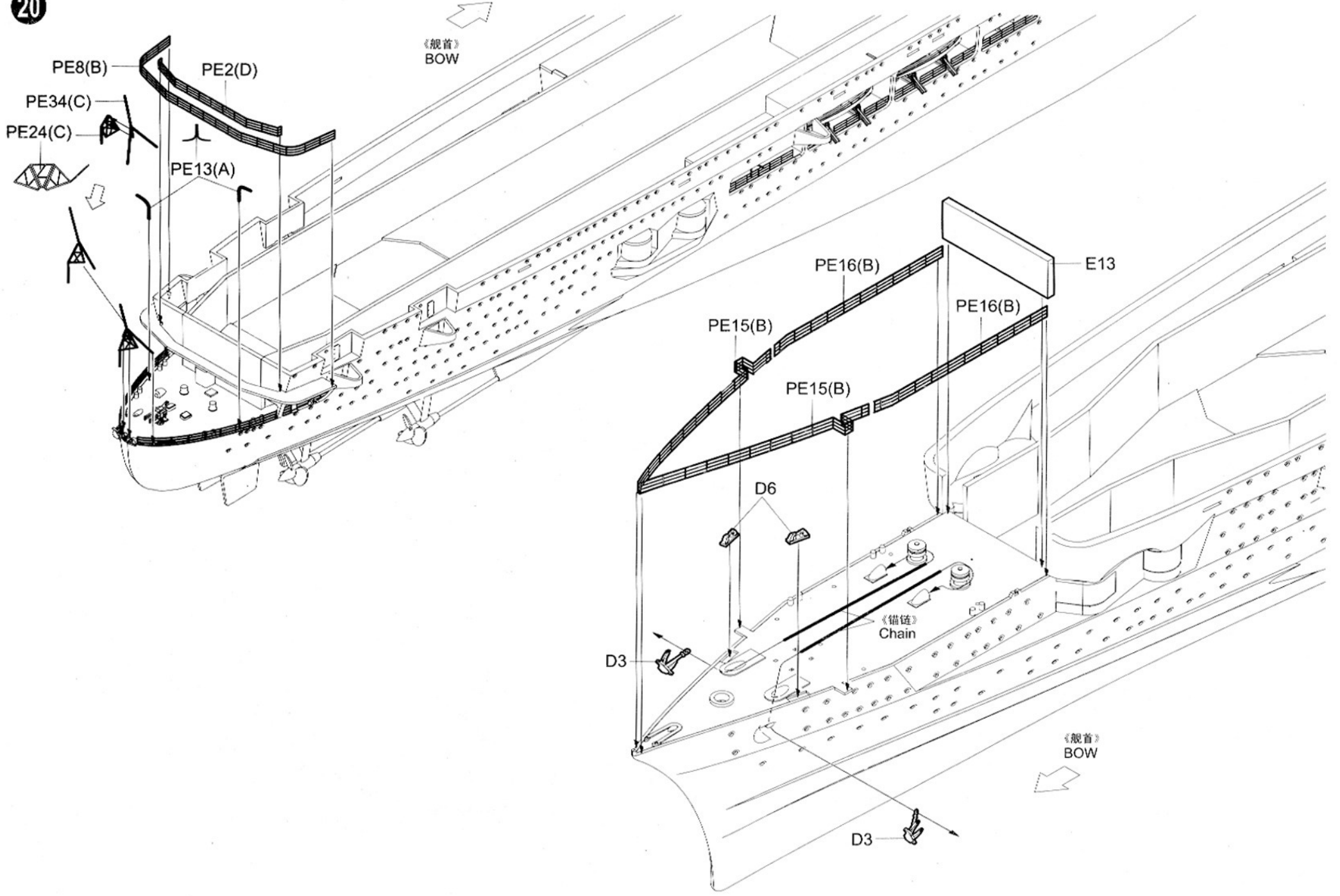
17

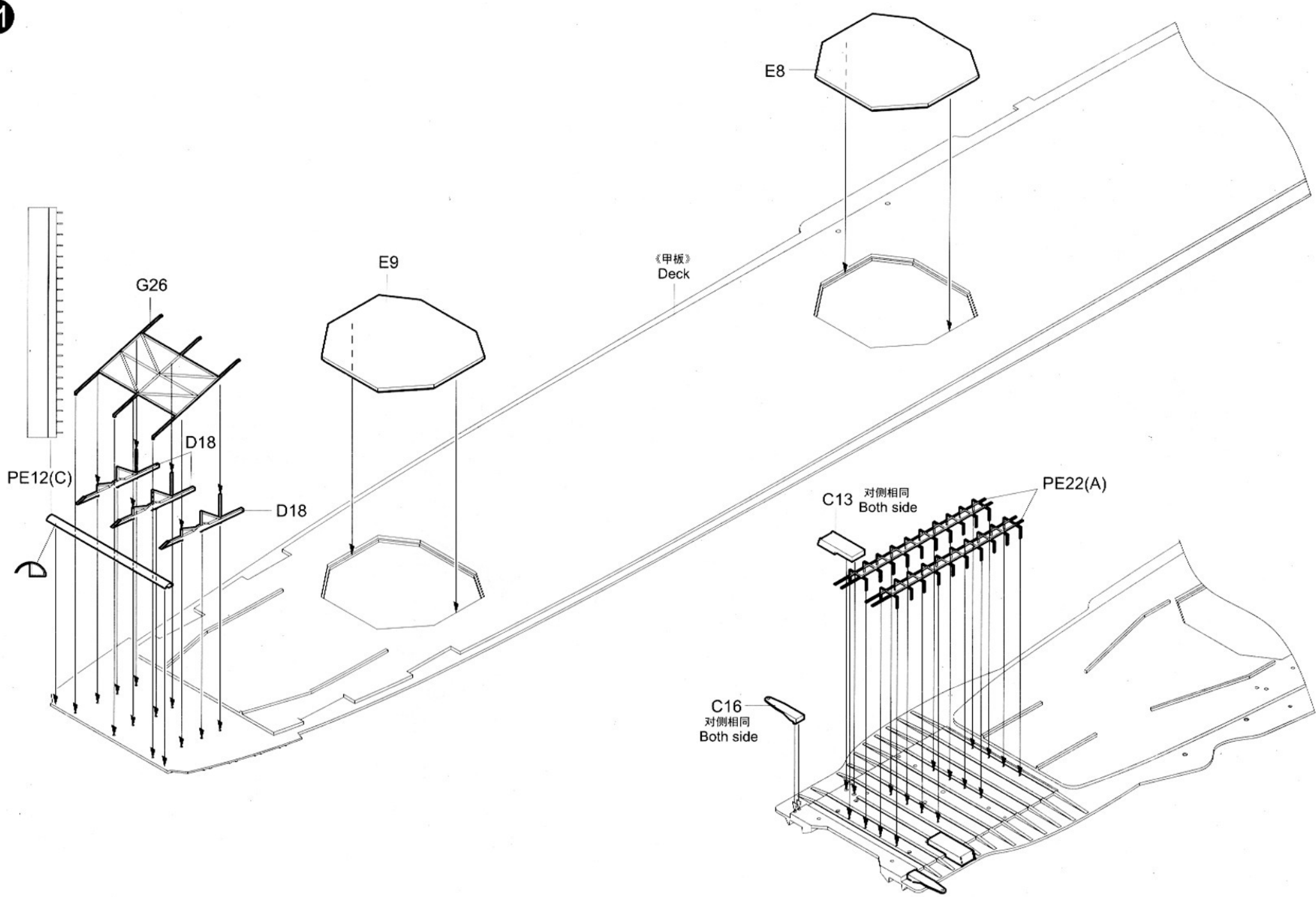


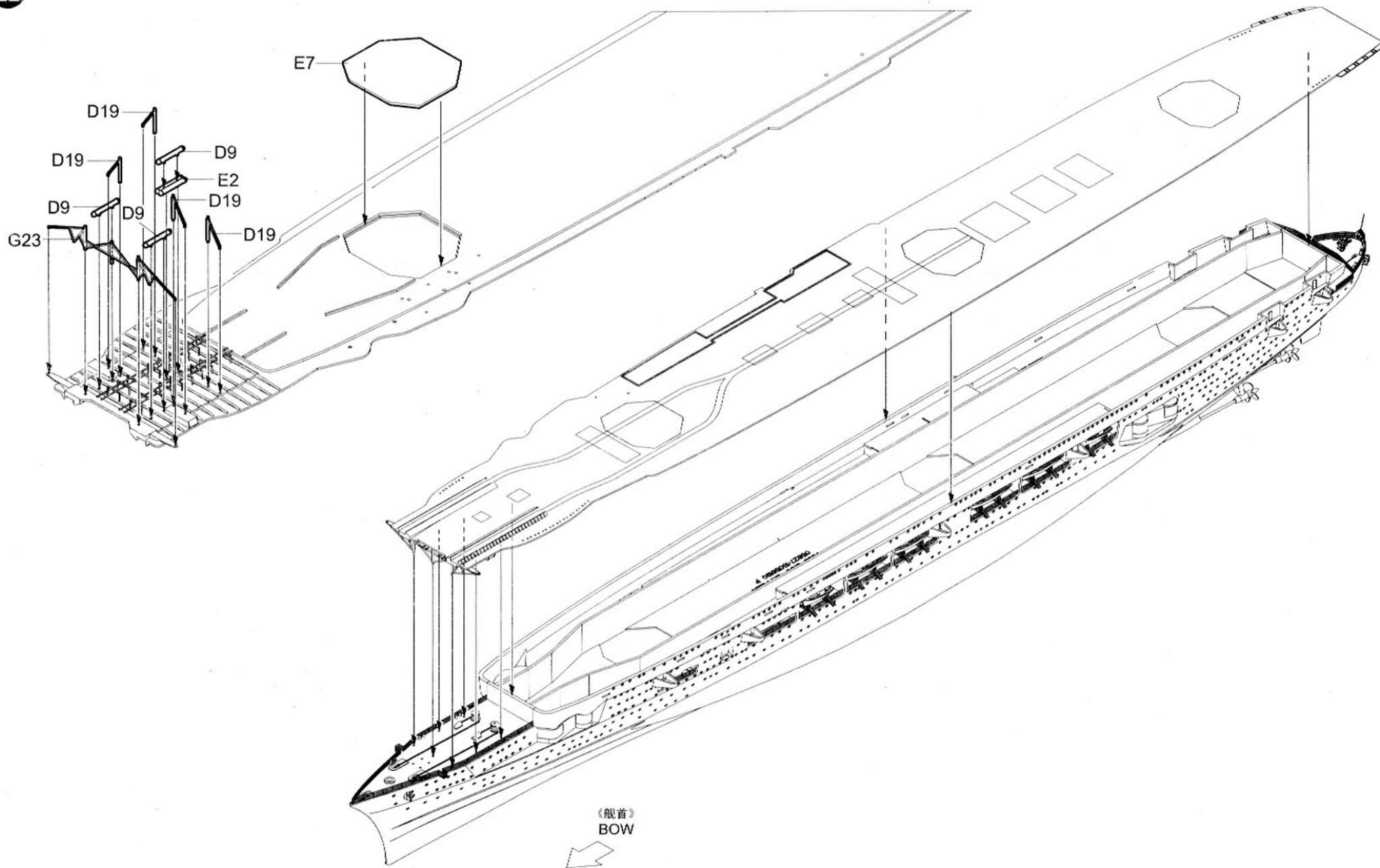


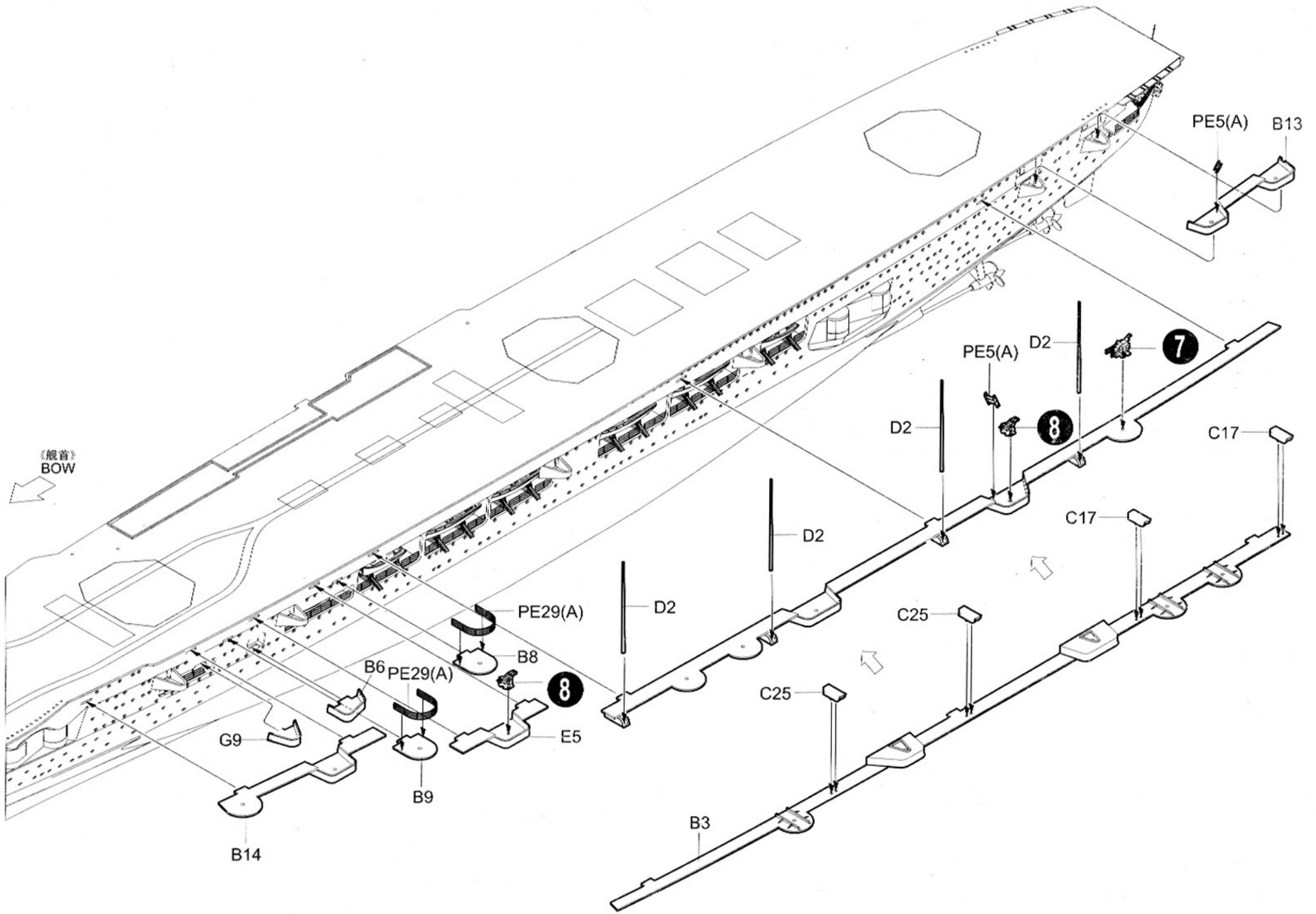


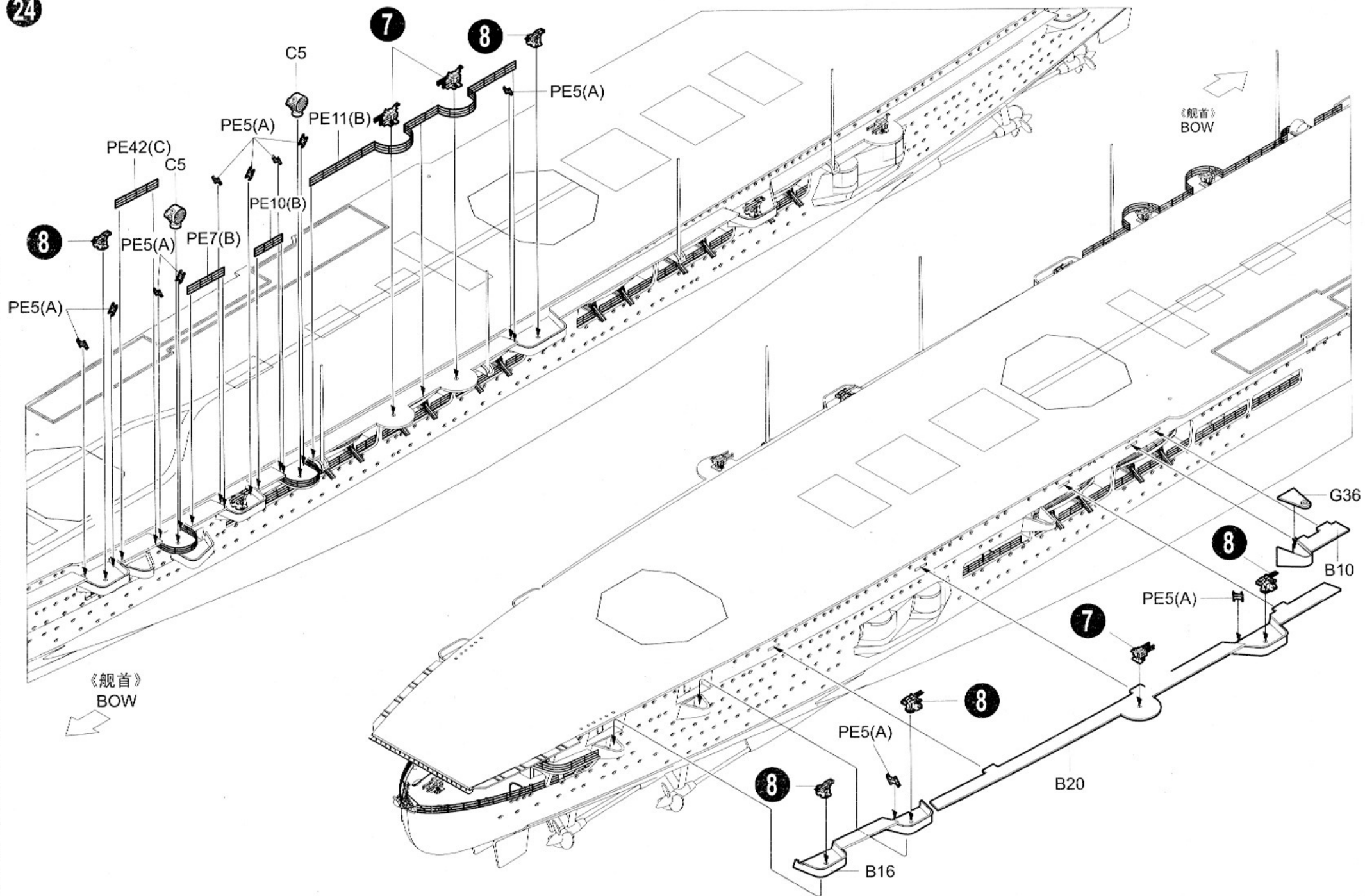
20



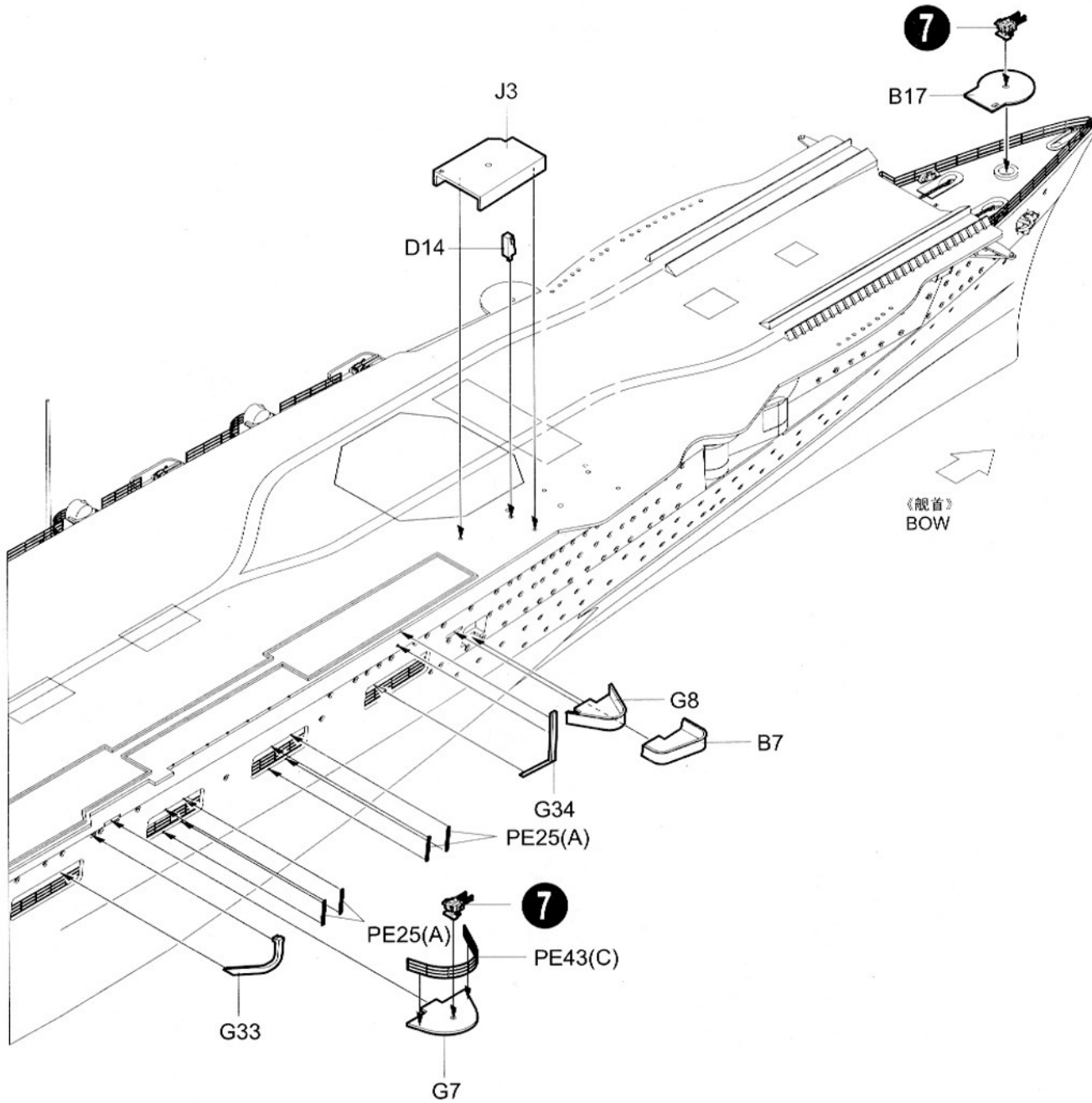




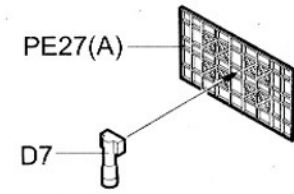




25

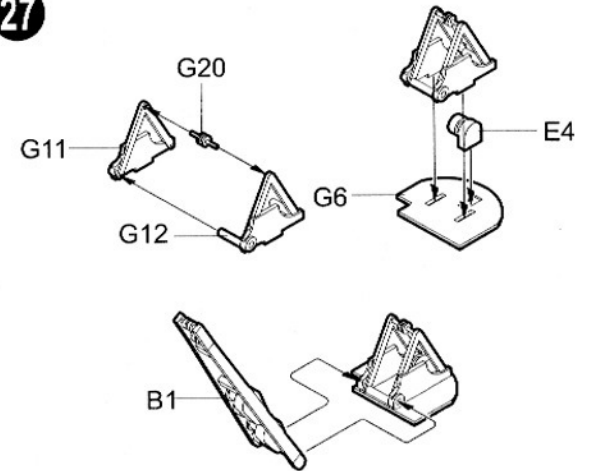


26

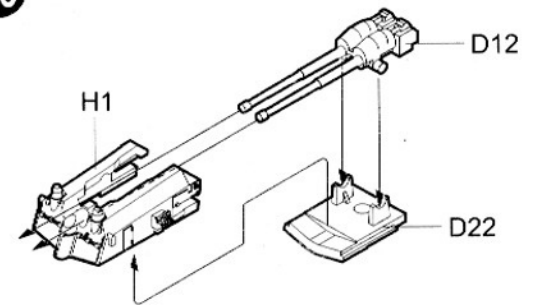


制作4套
Make four

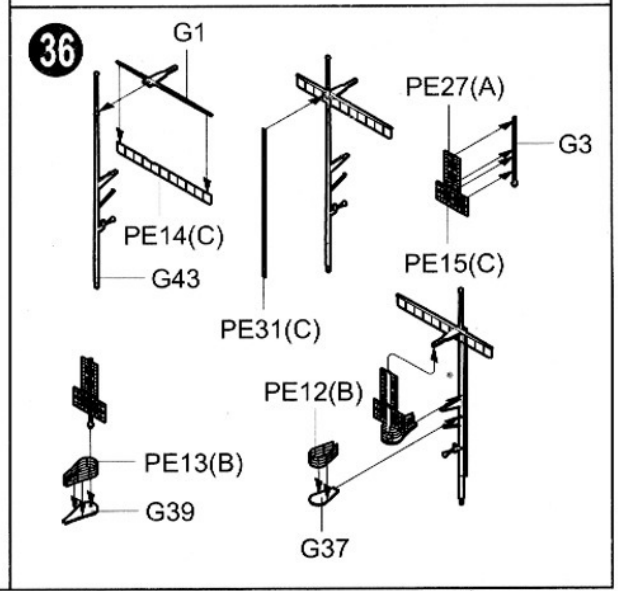
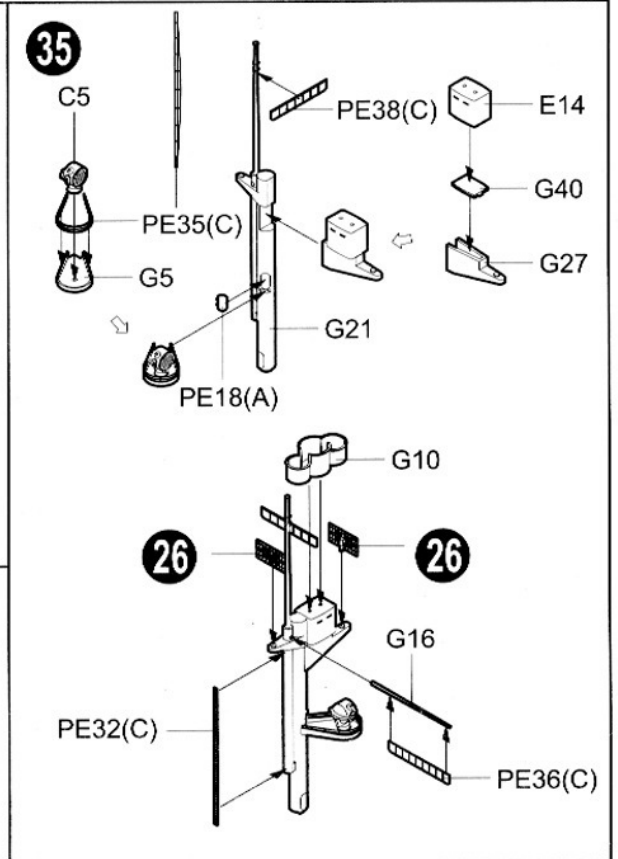
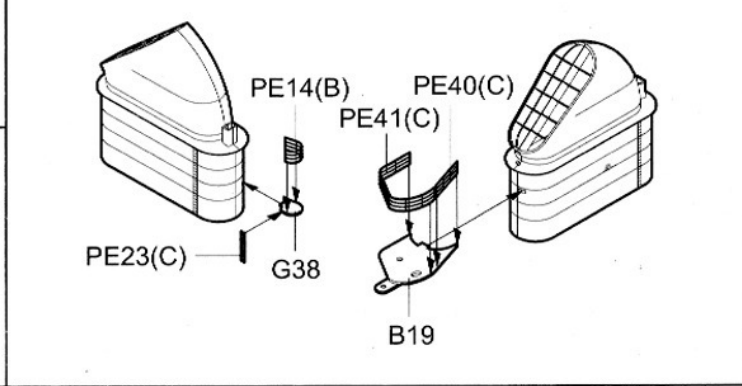
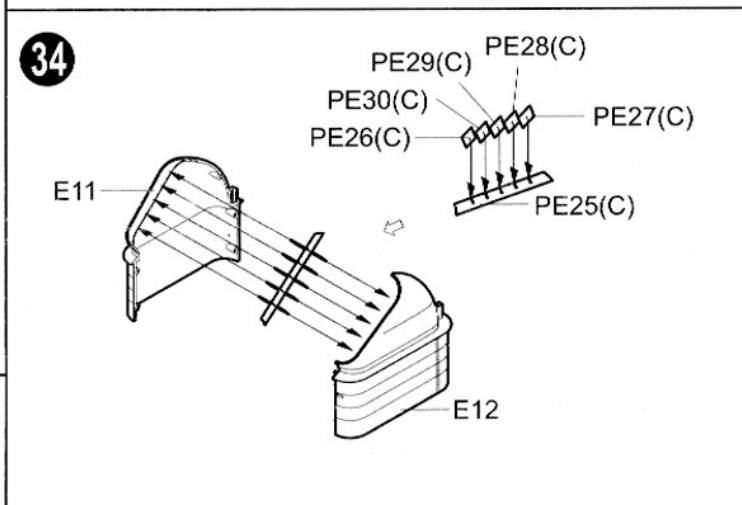
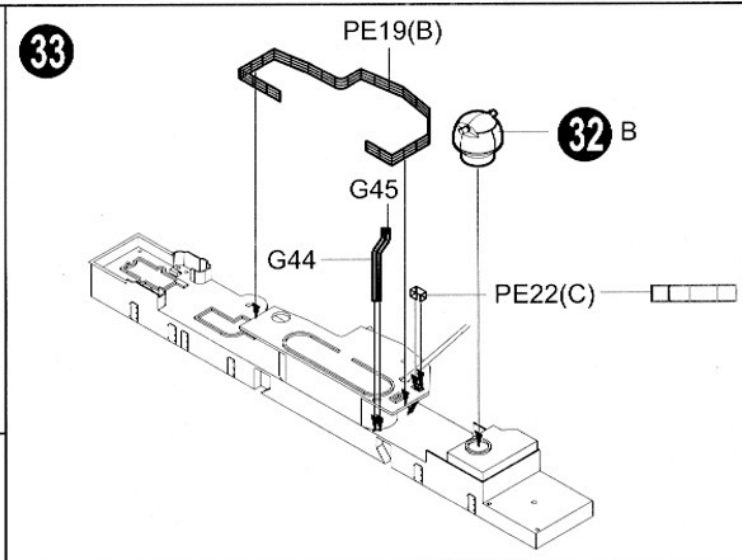
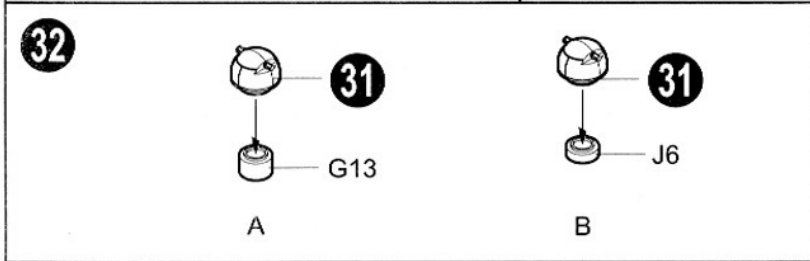
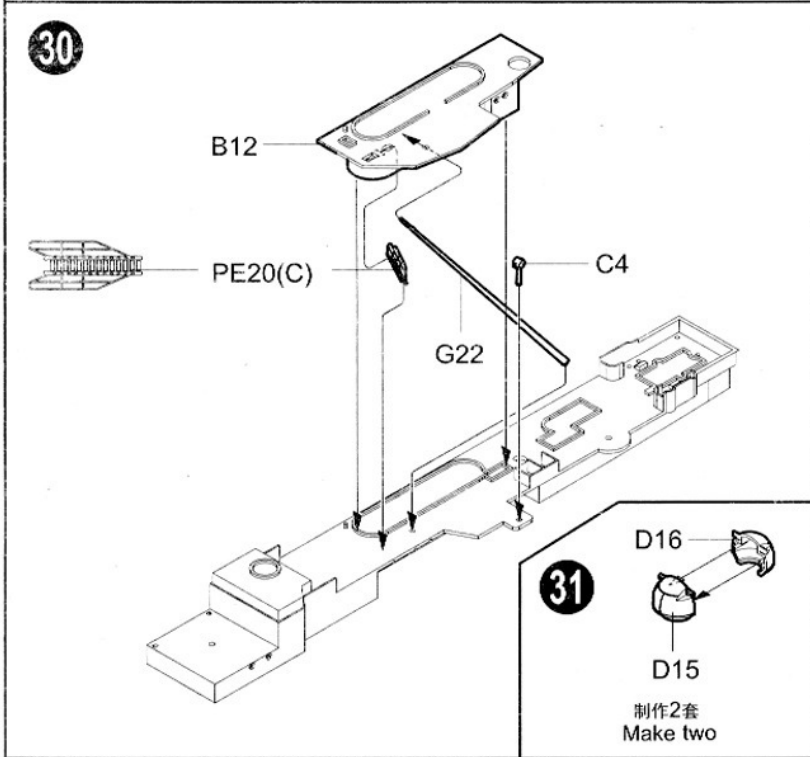
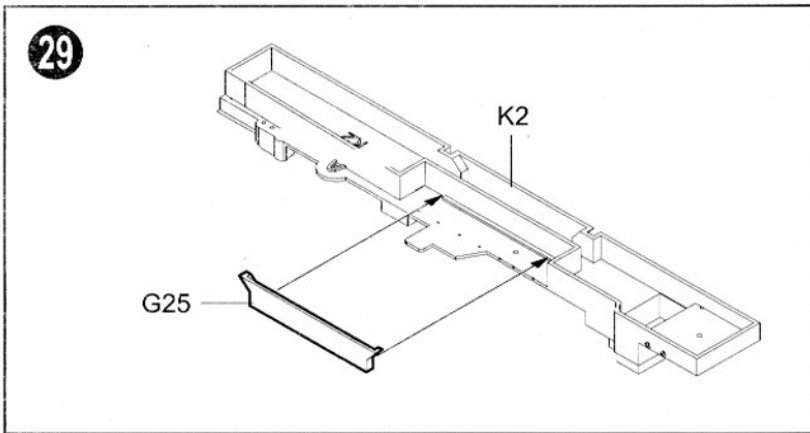
27

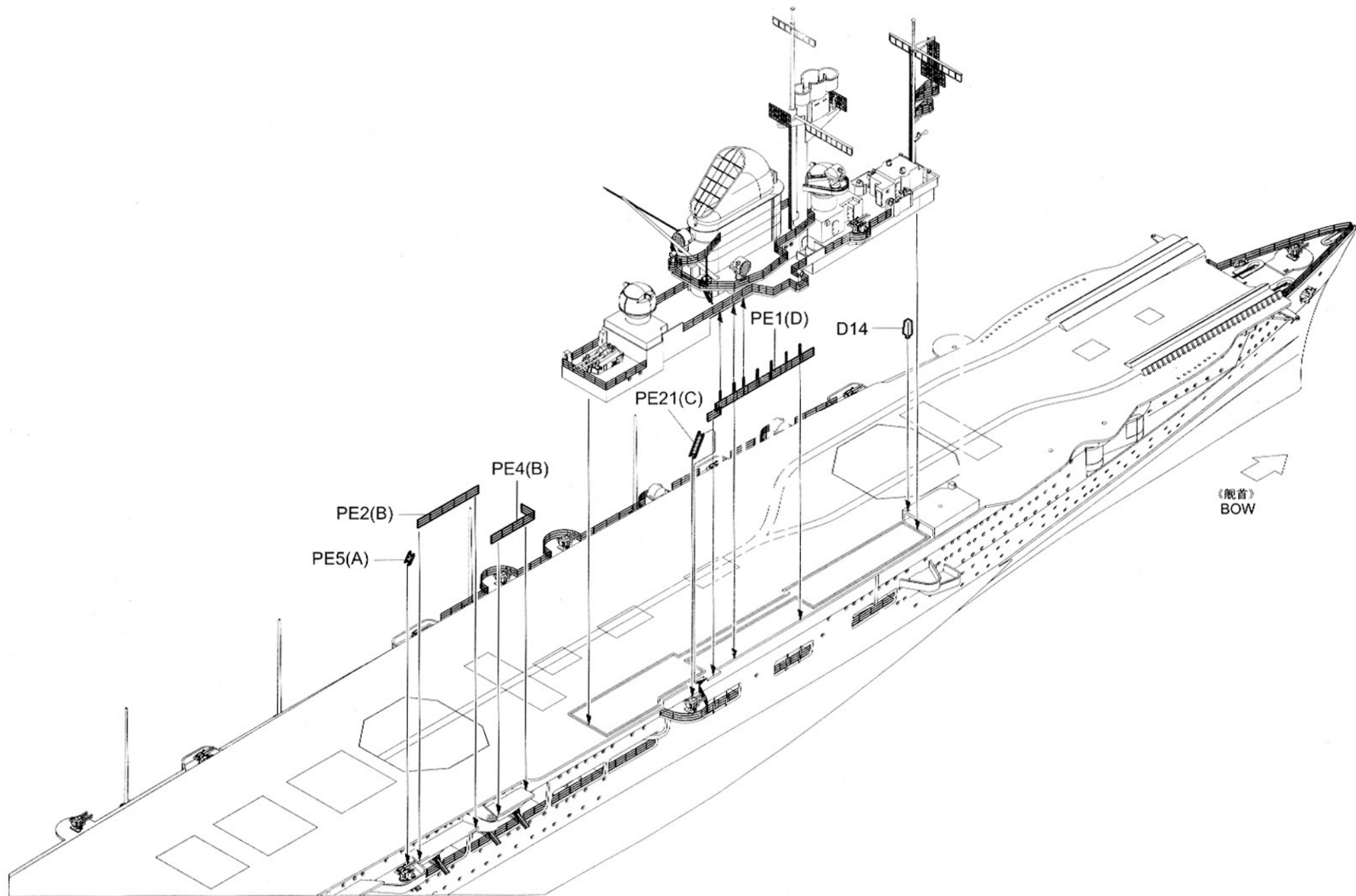


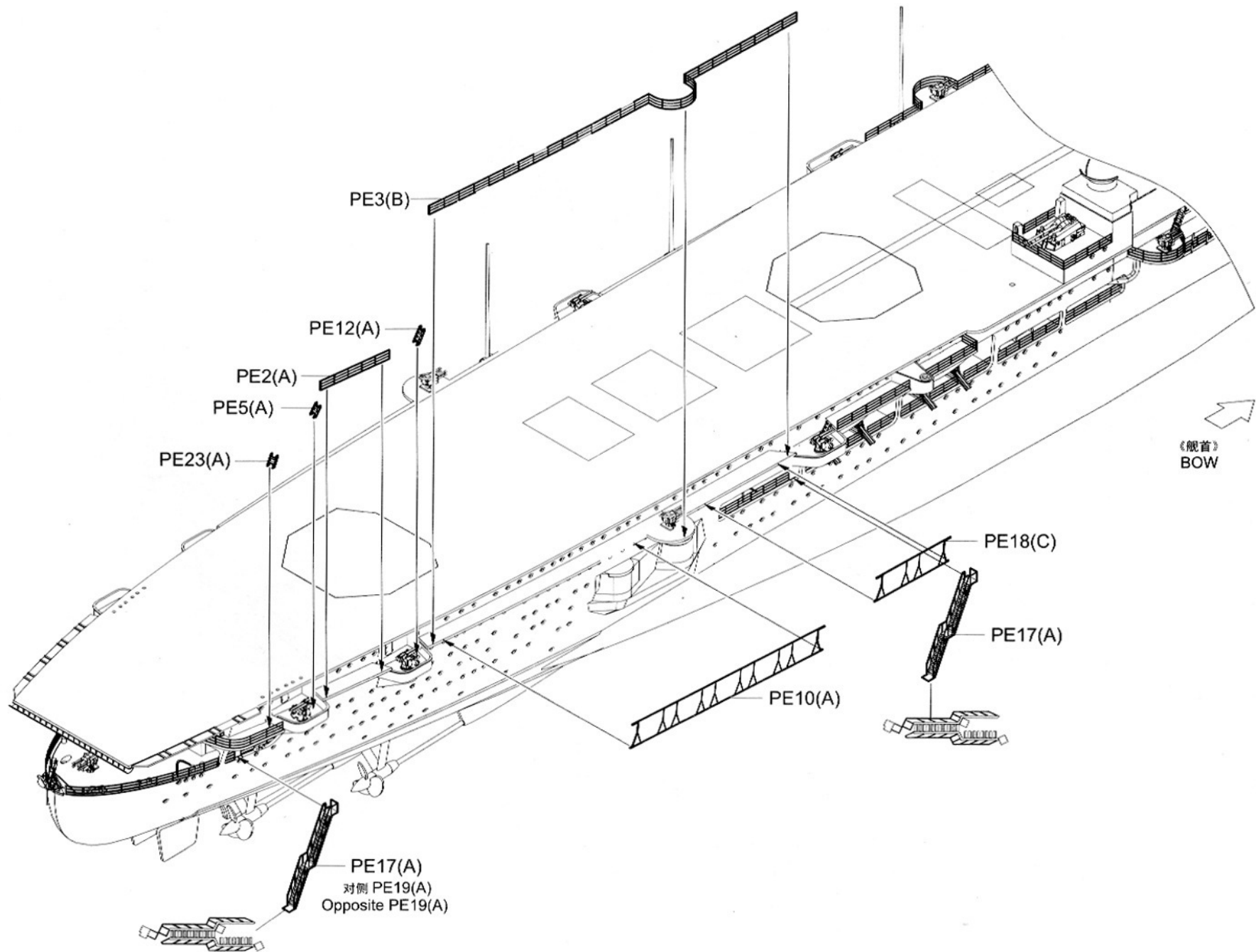
28

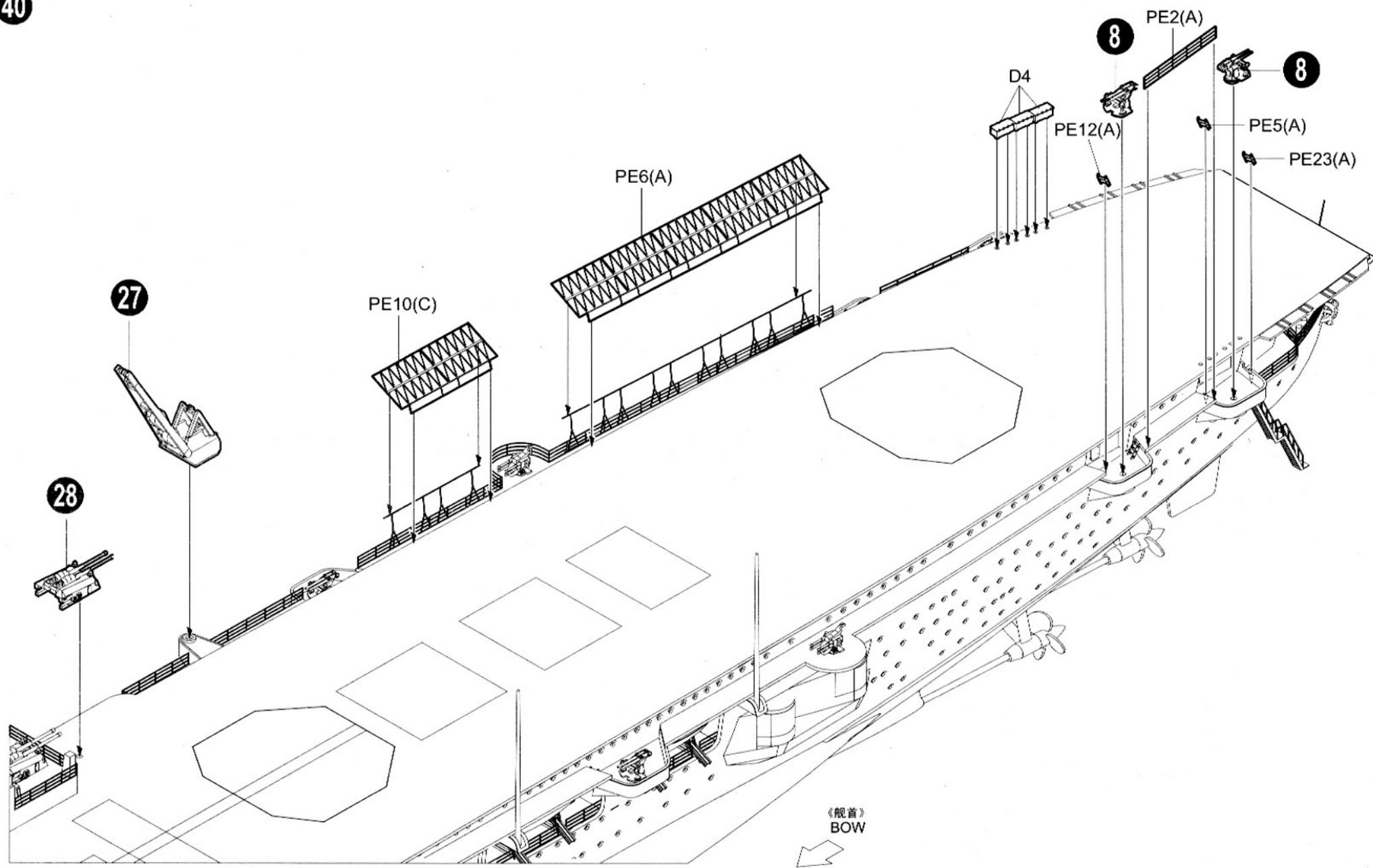


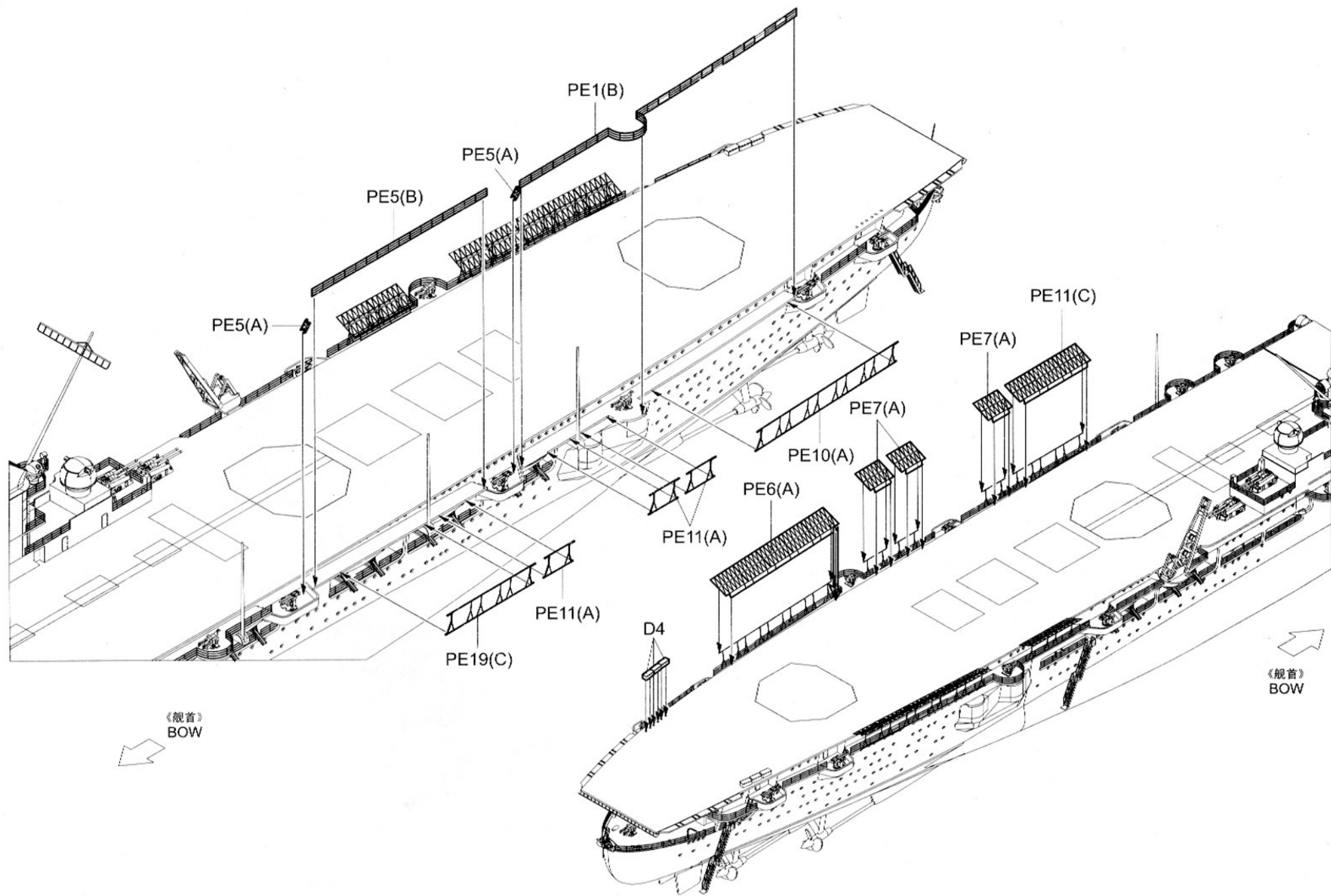
制作4套
Make four



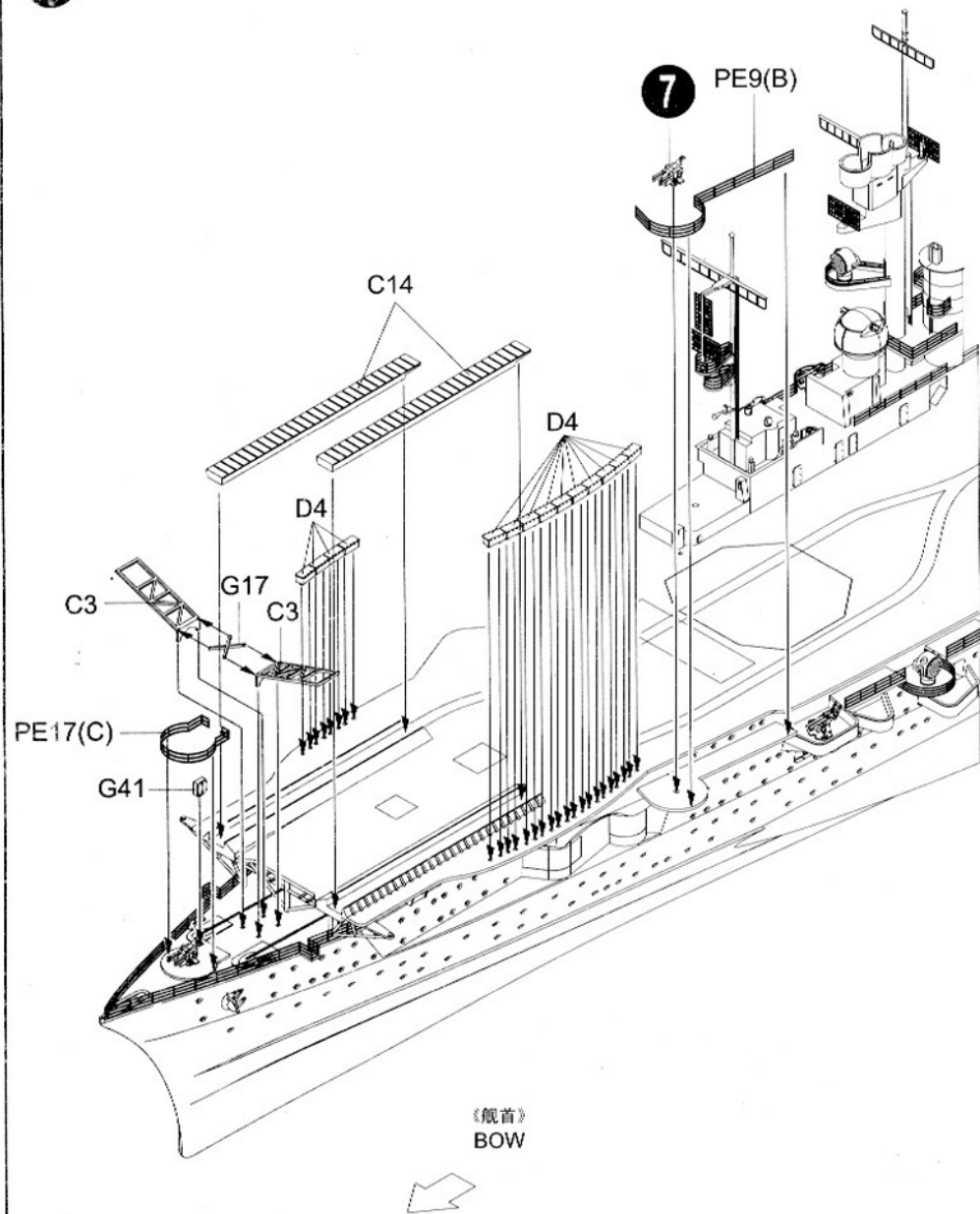






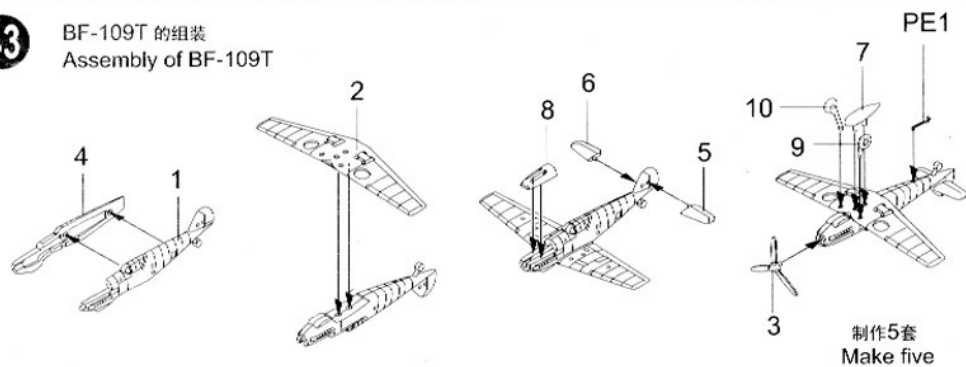


42



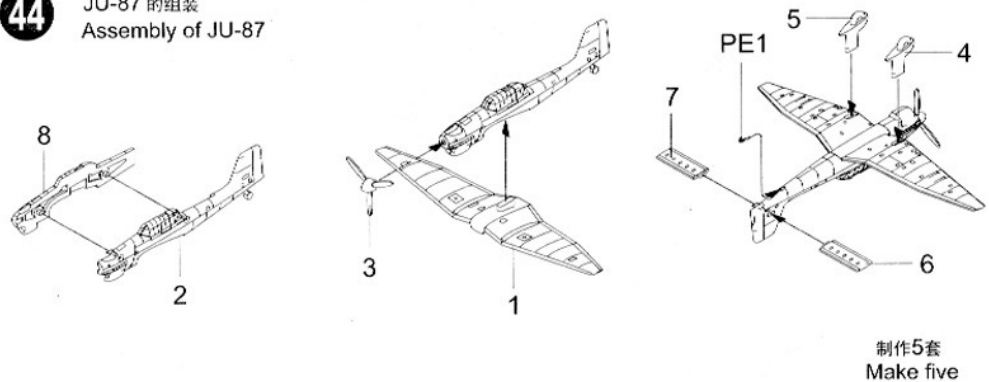
43

BF-109T 的组装
Assembly of BF-109T



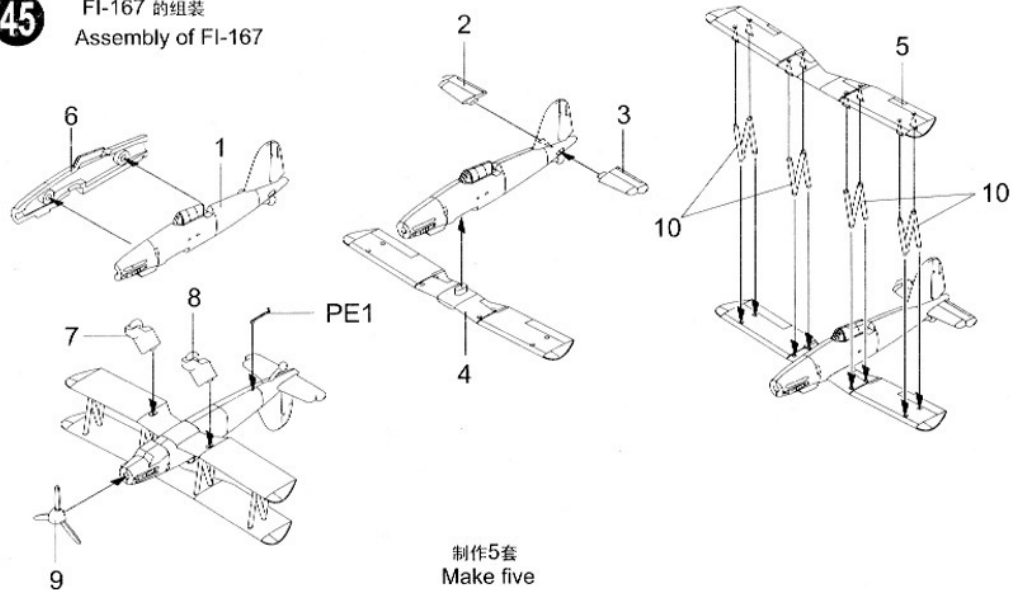
44

JU-87 的组装
Assembly of JU-87

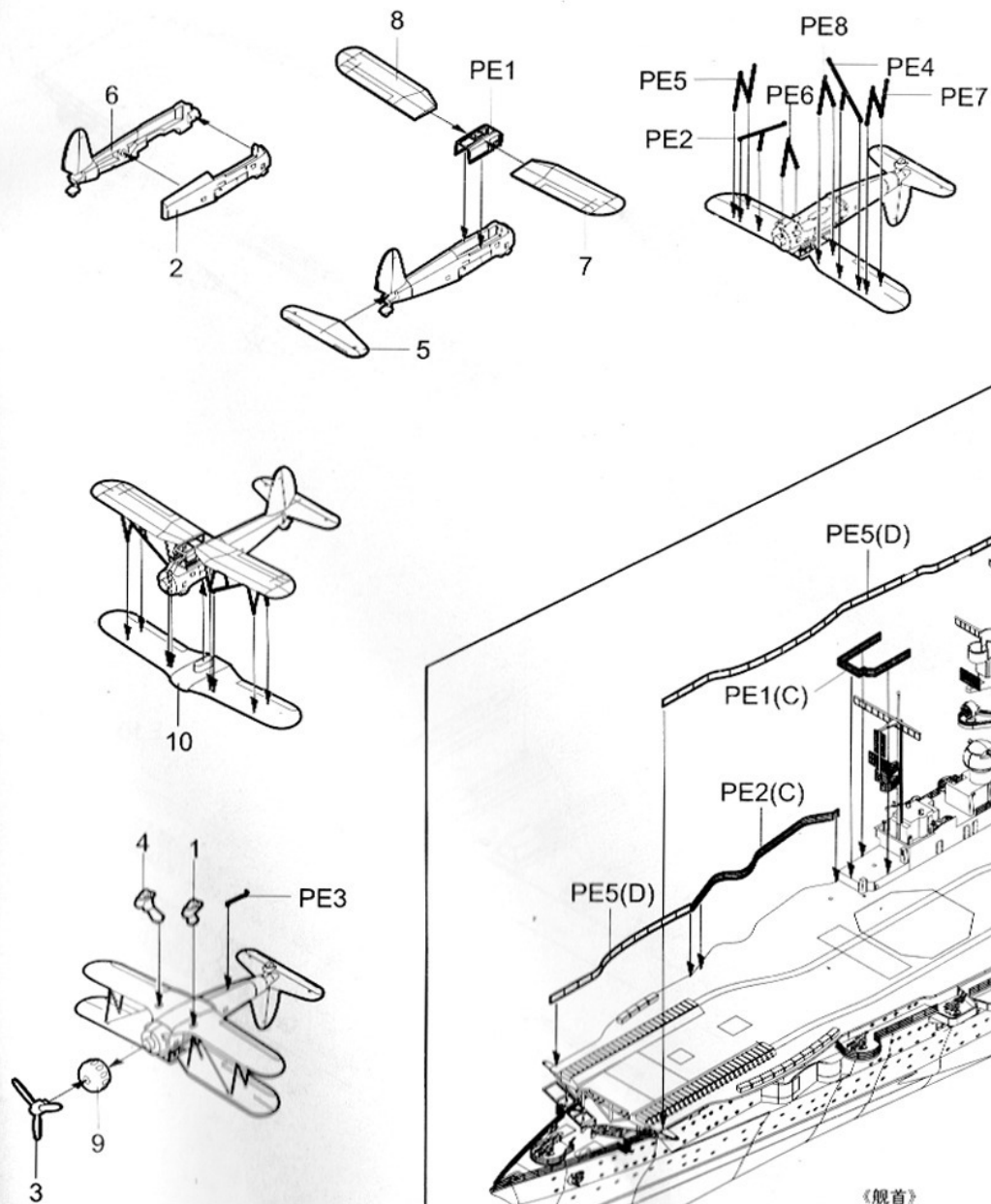


45

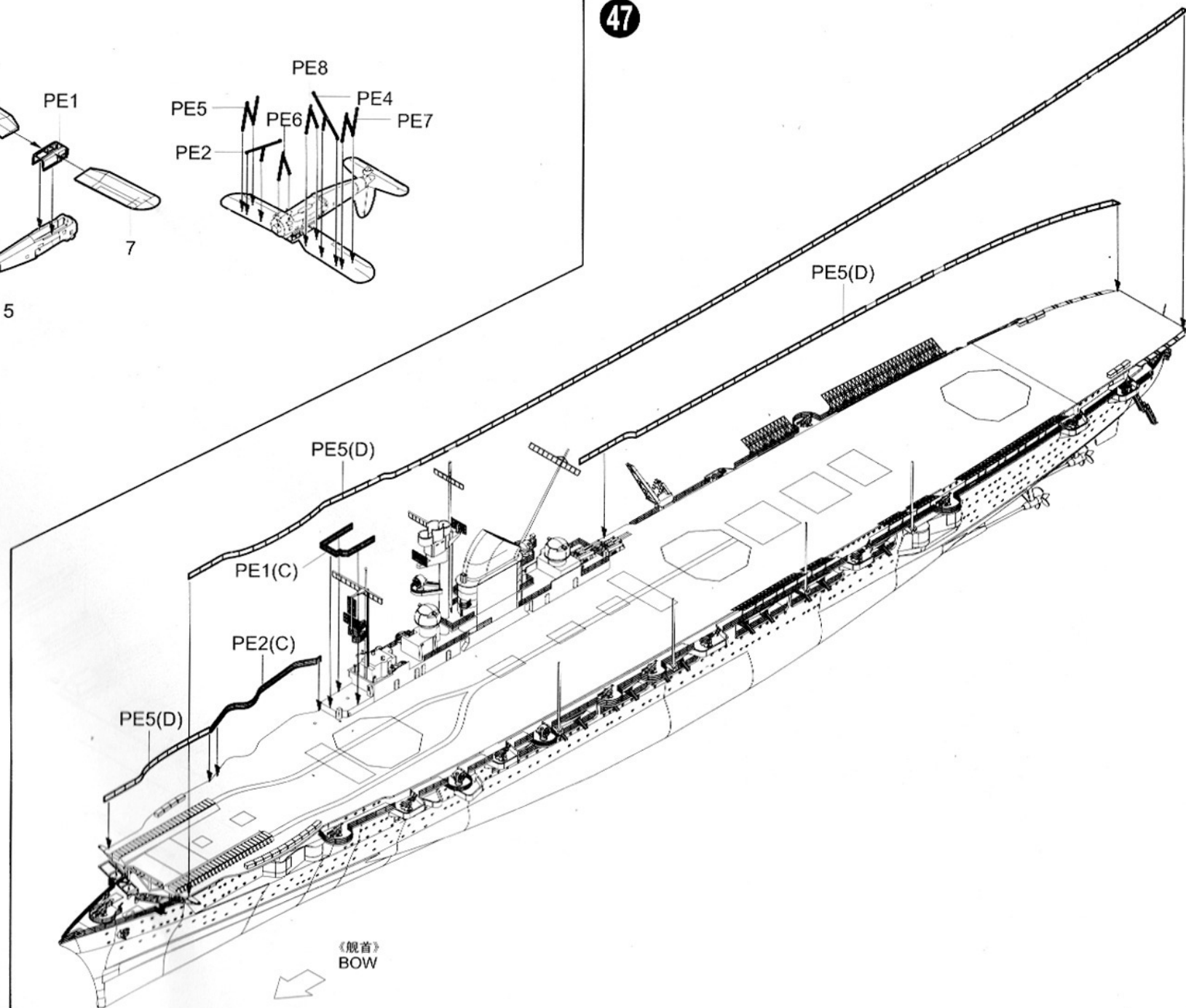
FI-167 的组装
Assembly of FI-167



46

AR-195的组装
Assembly of AR-195制作5架
Make five

47

《舰首》
BOW

