

Lockheed P-38L-5-LO lightning

1:32 Scale

洛克希德P-38L-5-LO “闪电”

READ BEFORE ASSEMBLY

- Study and understand these instructions thoroughly before beginning assembly. Make sure all parts are included by comparing them to those shown on pages 2 & 3 of these instructions.
- Remove parts from sprues as needed, and trim excess with a hobby knife. Be careful not to lose small parts.
- Remove photo-etch parts from sprue as needed using a hobby knife or photo etch cutter.
- Apply cement to photo etch parts as shown on instructions. Applying too much cement will restrict the operation of these

movable parts. Apply cement carefully! Removed photo etch parts can have sharp edges. Take care when handling these to avoid injury.

- Apply decals to necessary parts prior to assembly.
- Additional tools recommended(not included):Sprue cutter, Long nose pliers, hobby knife, file, tweezers, pin vise, scissors, cement, sandpaper, soft cloth, glue and paint.
- Keep all parts out of reach of children, as they pose a choking hazard. Discard all unnecessary bags and sprues when model is completed to avoid accidental injury.

装配之前仔细阅读

- 小心用模型锉刀锉平所有零件表面的注射浇口。
- 小心用刀片切下蚀刻片零件，不要遗失小零件。
- 用强力快干胶水粘合蚀刻片零件和金属轴。过量的快干胶水使用可能导致可动零件会粘住，小心涂胶。
- 取蚀刻片时应特别注意安全，防止利边划伤手指。
- 某些零件表面需贴上水贴纸，请选择在装配的同时进行。
- 推荐模型工具(自备)：胶水，水口剪刀，长咀钳，刀片，锉刀，镊子钳，钻，剪刀，瞬间快干胶。
- 软布同砂纸同时也应该是必备工具。
- 请使用塑料胶水和油漆，模型内不含。
- 谨防小孩吸吮塑料零件，或者将塑料袋套在头上，制作时应将套材远离小孩接触。

水贴纸的使用：

1. 从水贴上剪下印花；
2. 将印花放入温水中浸10秒，然后放在干净布上。
3. 拿着印花纸将印花移到模型上；
4. 手指蘸水将印花移到适当的位置；
5. 用软布轻压印花直至水干，汽泡消失。

DECAL APPLICATION

1. Cut off decal from sheet.
2. Dip the decal in tepid water 40° C for about 10 sec. and place on a clean cloth.
3. Hold the backing sheet edge and slide decal onto the model.
4. Move decal into position by wetting decal with finger.
5. Press decal gently down with a soft cloth until excess water and air bubbles are gone.



cianoacrylate glue
使用强力胶



weight
配重



make hole
钻孔



cut / remove
切除



option
选择



no cement
不涂胶水



decal
贴纸



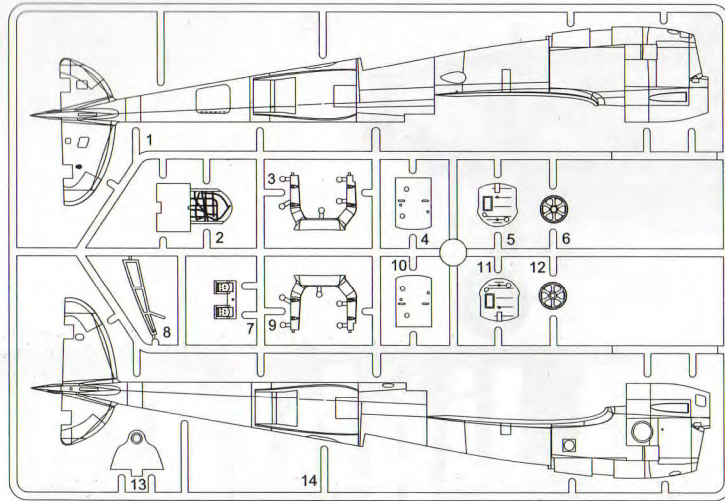
bend
弯曲



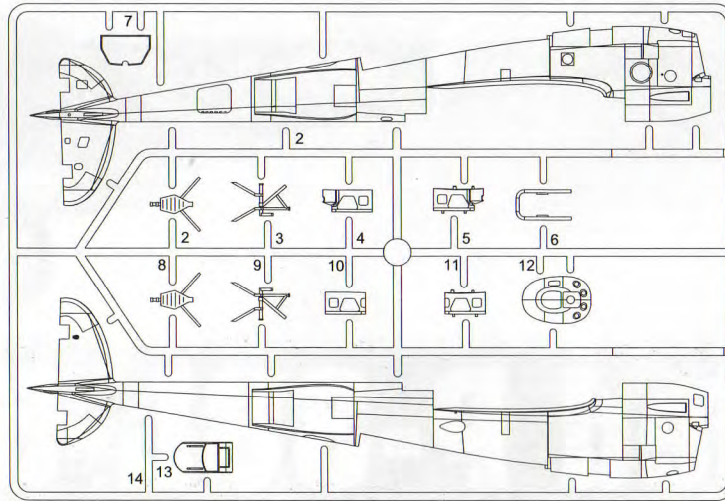
file / sand
锉平

部品图 Parts

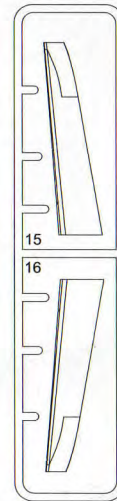
A1



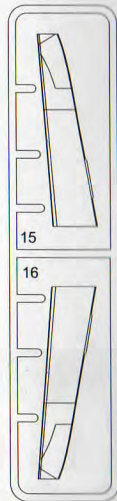
B1



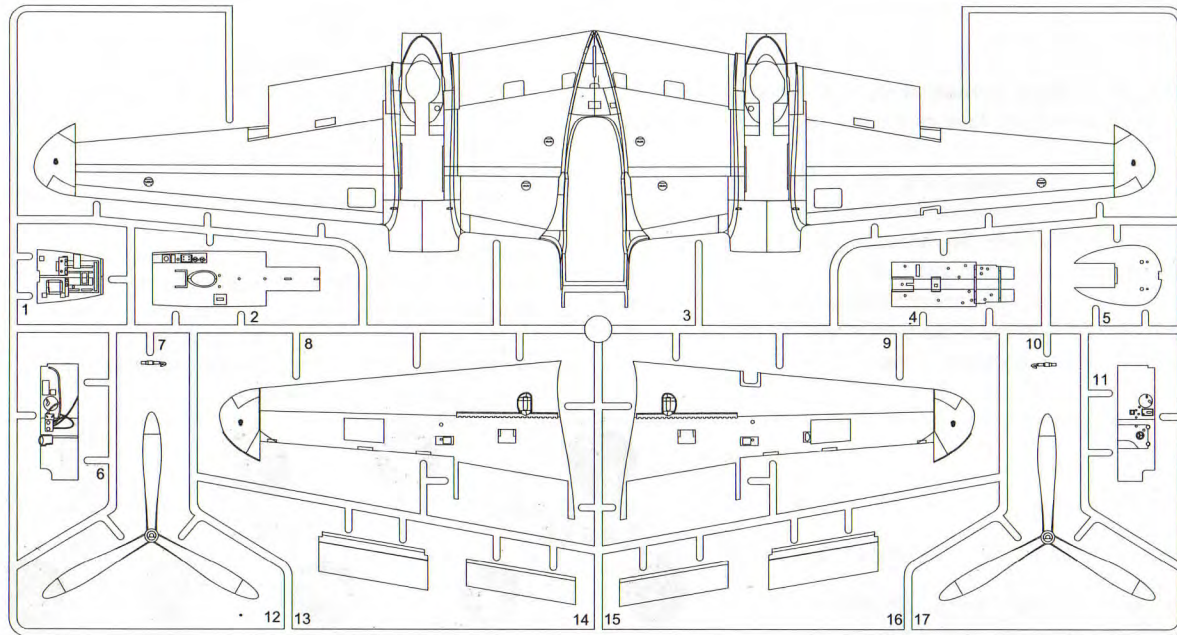
B2



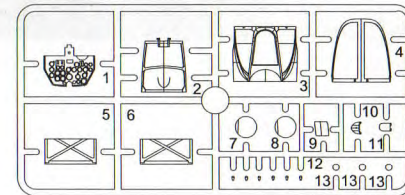
A2



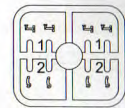
C



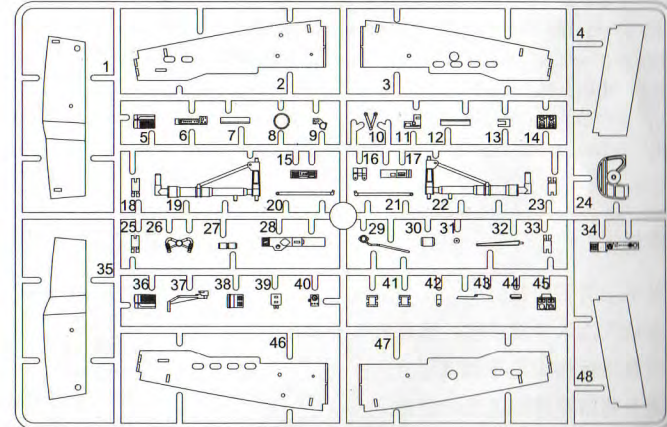
K

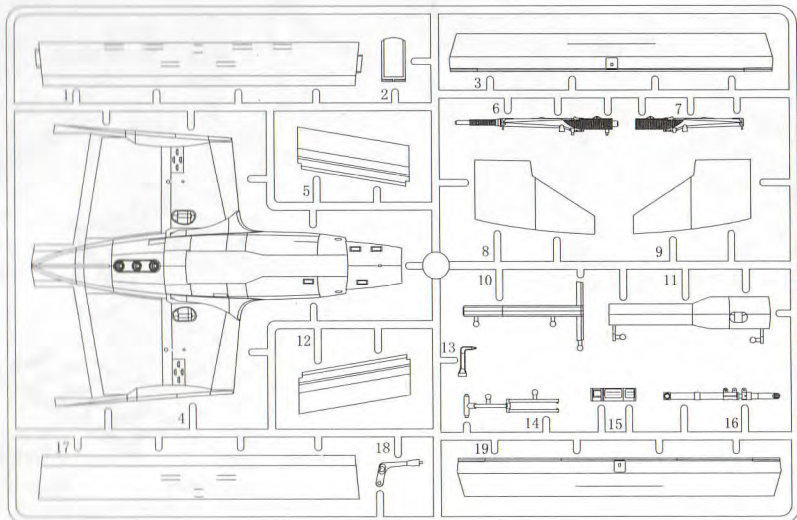
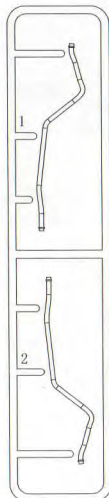
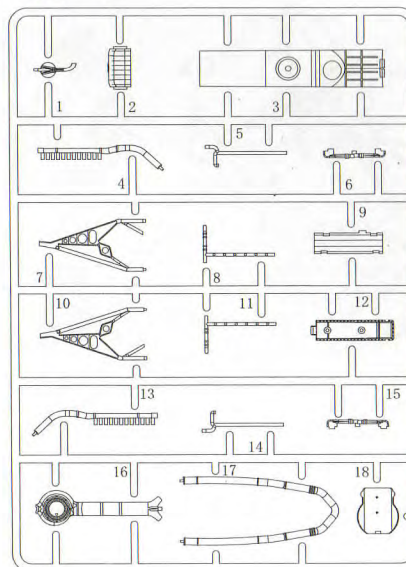
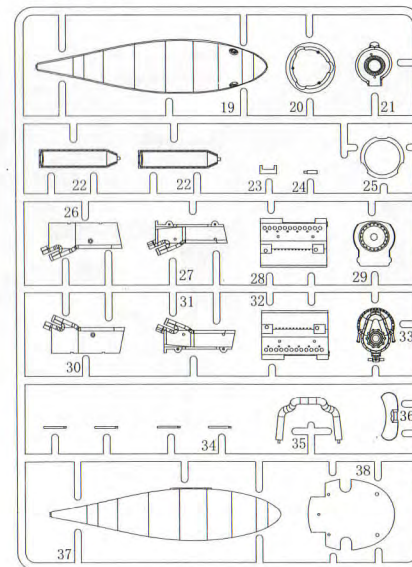
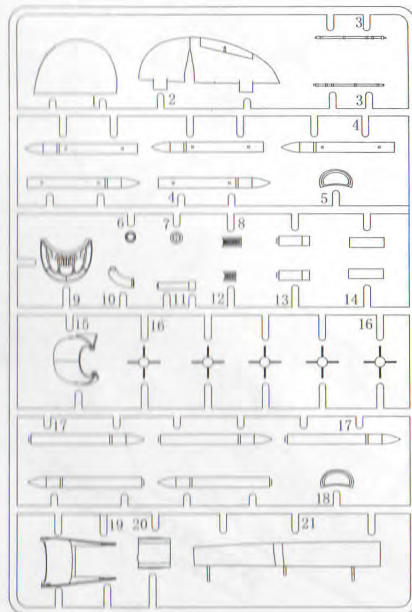
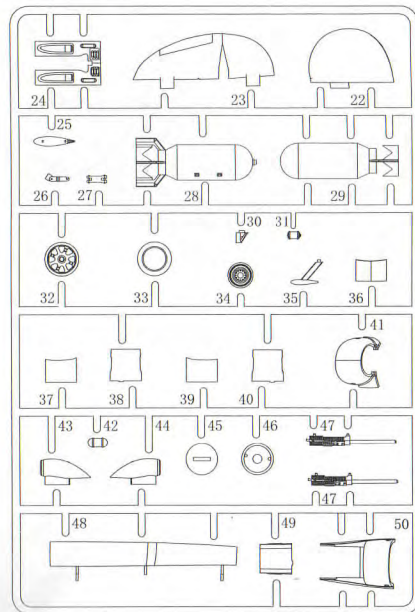


I

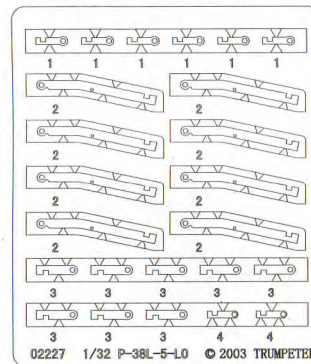


F



D**E****H1 × 2****H2 × 2****G1 × 2****G2 × 2**

蚀刻片(1)
Photo Etched Part(PE)

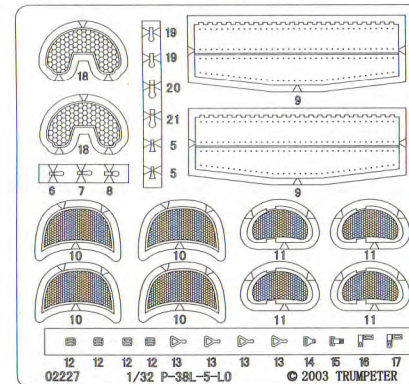
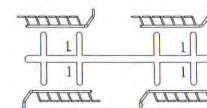


菲林片:1 PCS
Film

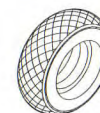
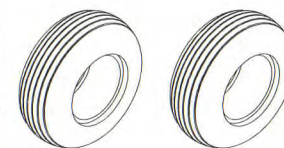
轴:1.0 x 15.0mm 18 PCS
Shaft

水贴纸:1 PCS
Decal

蚀刻片(2)
Photo Etched Part(PE)

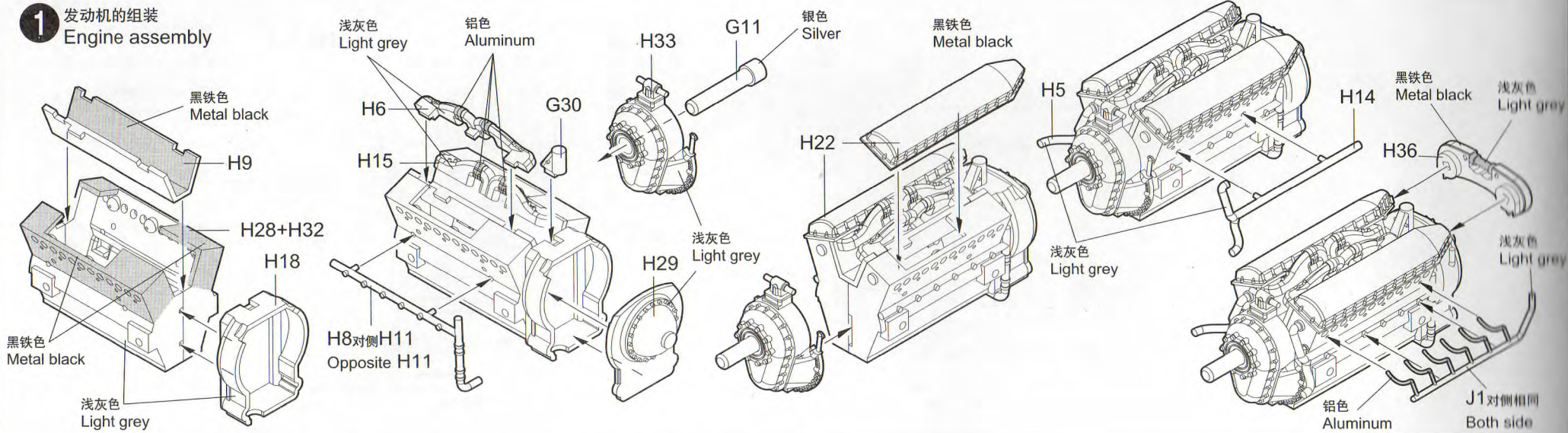
**J**

主轮胎
Main Tire

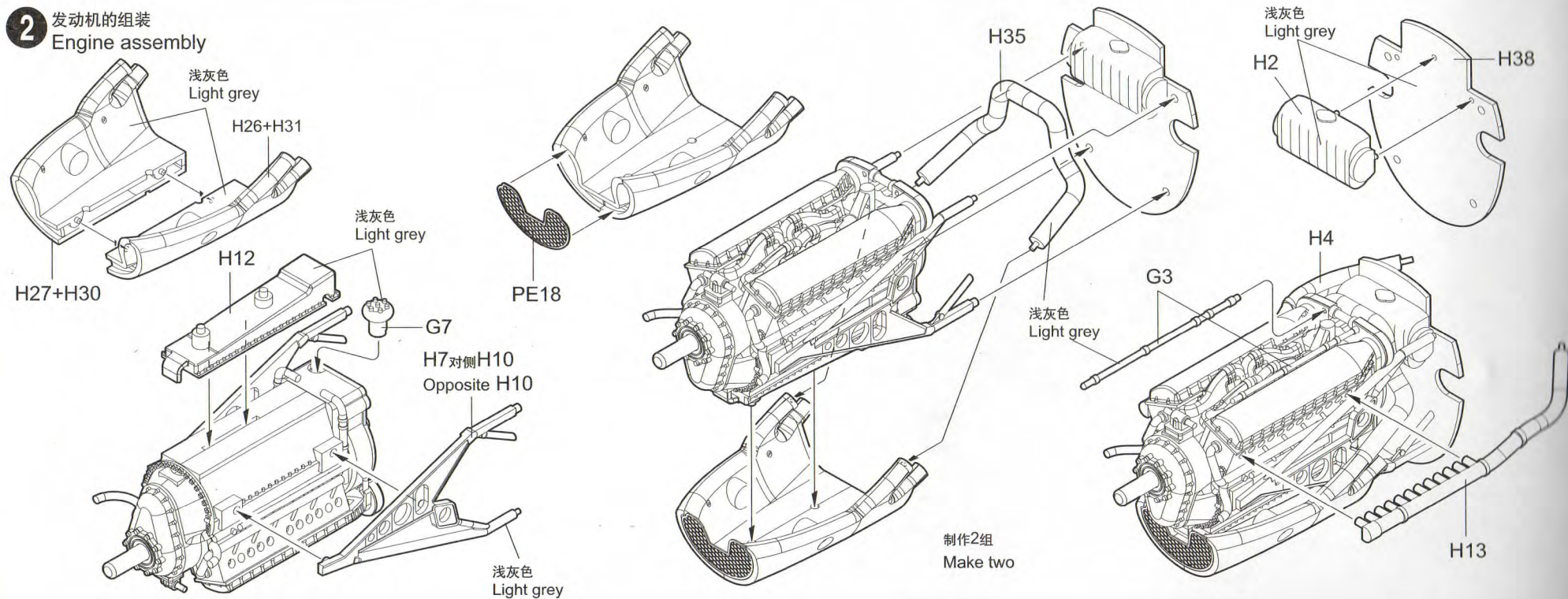


前轮胎
Nose Tire

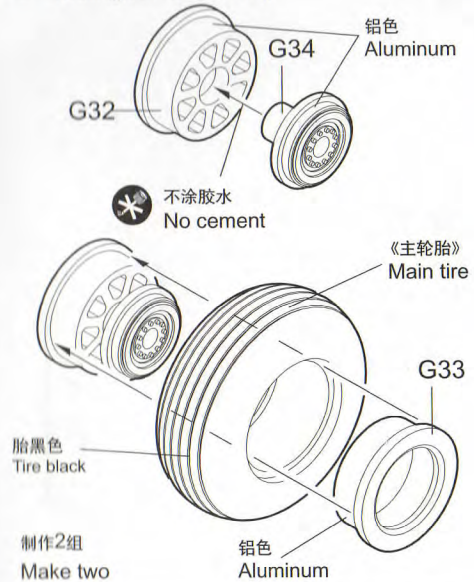
1 发动机的组装
Engine assembly



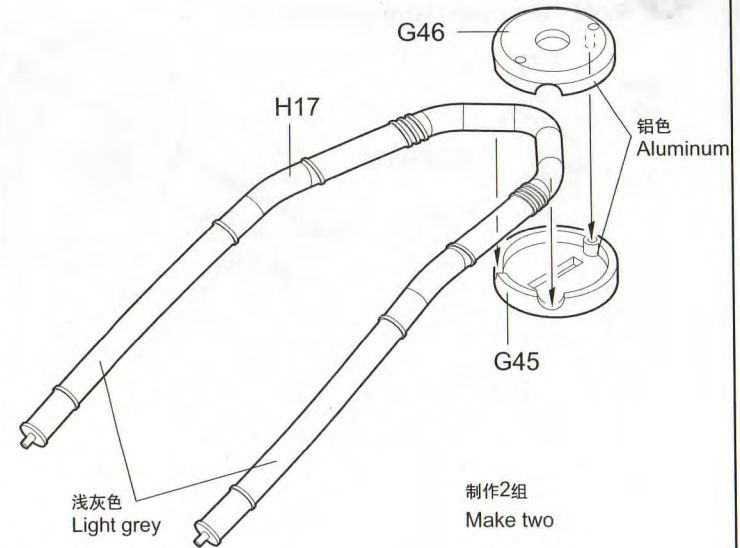
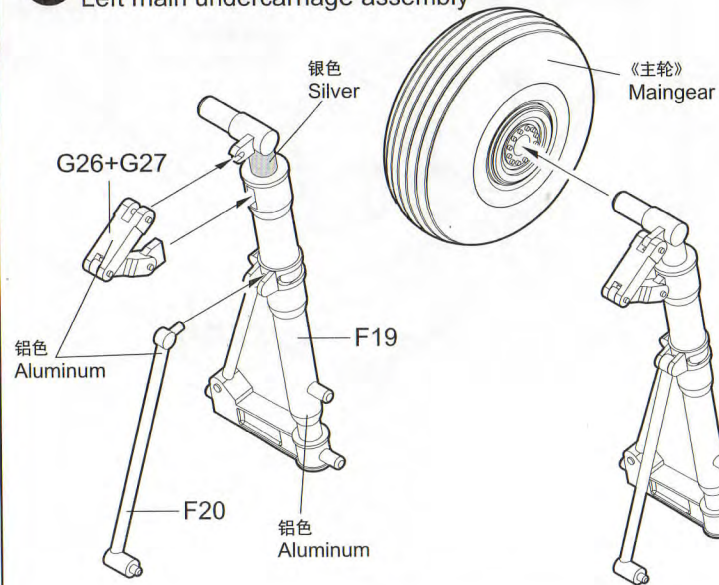
2 发动机的组装
Engine assembly



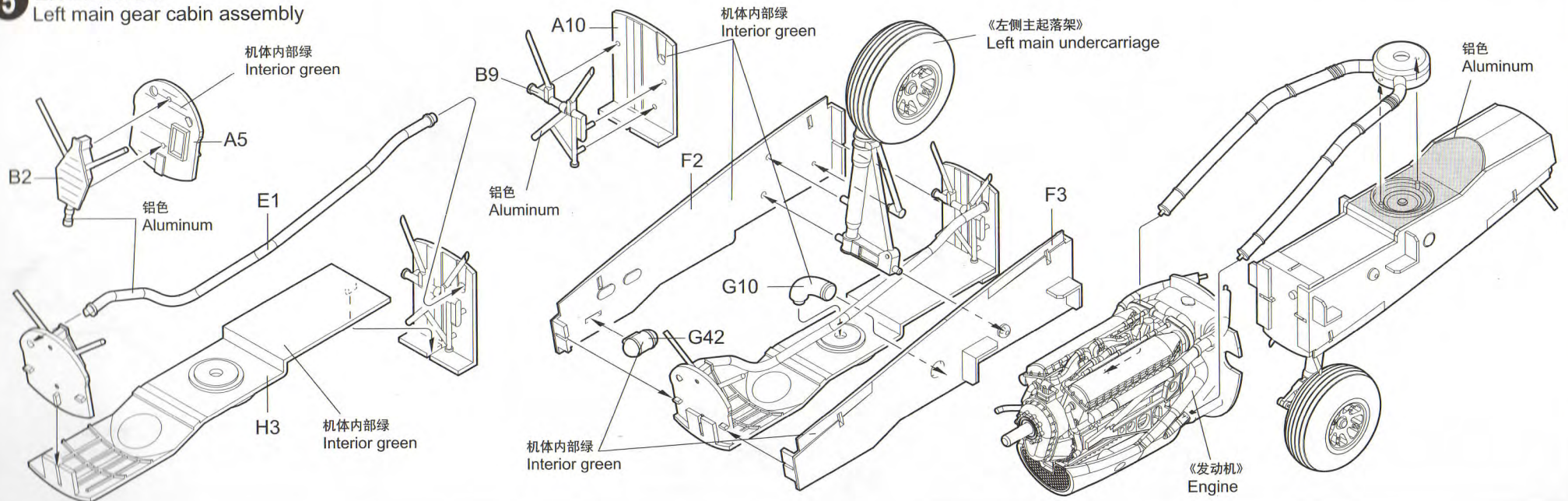
3 主轮的组装
Maingear assembly



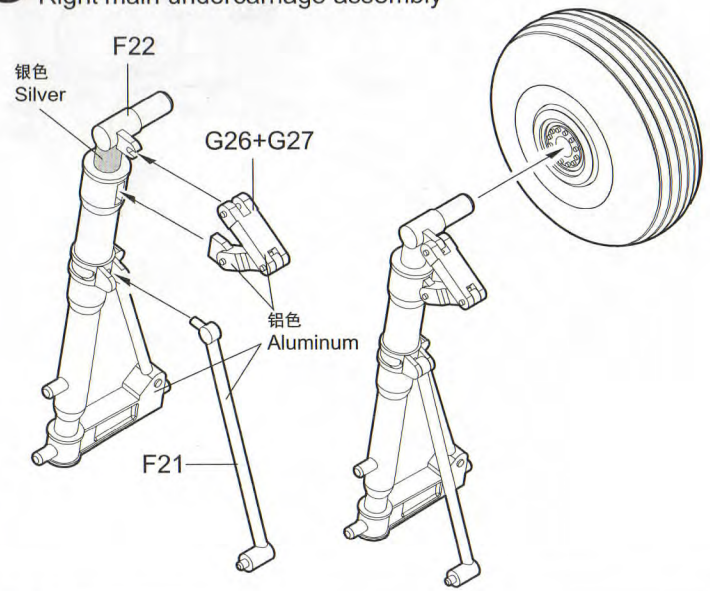
4 左侧主起落架的组装
Left main undercarriage assembly



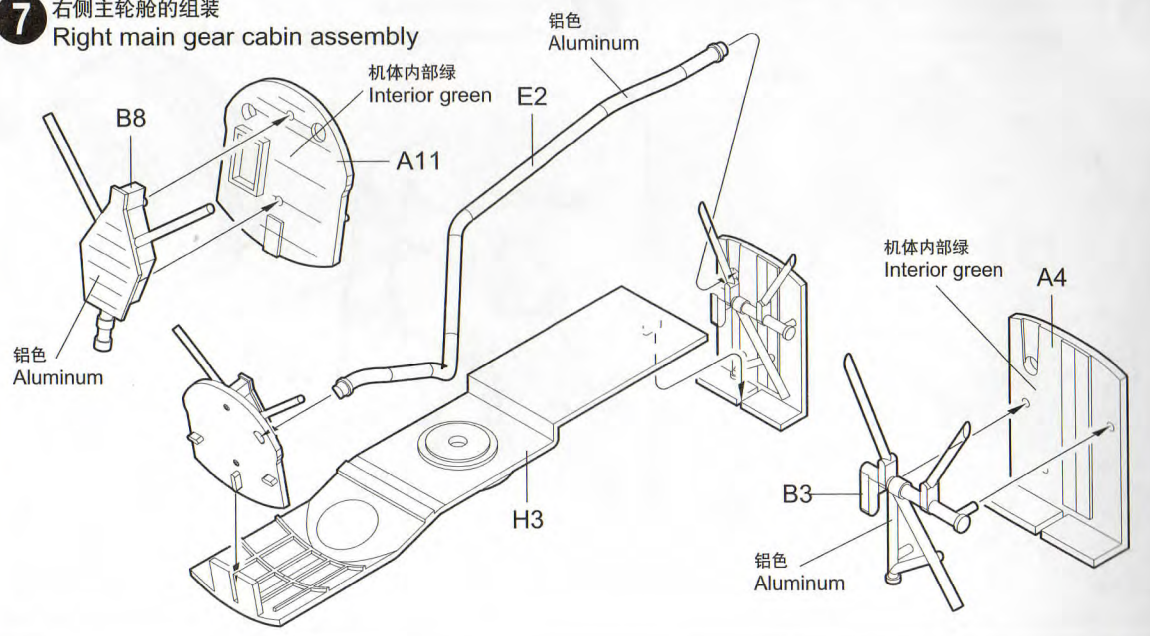
5 左侧主轮舱的组装
Left main gear cabin assembly



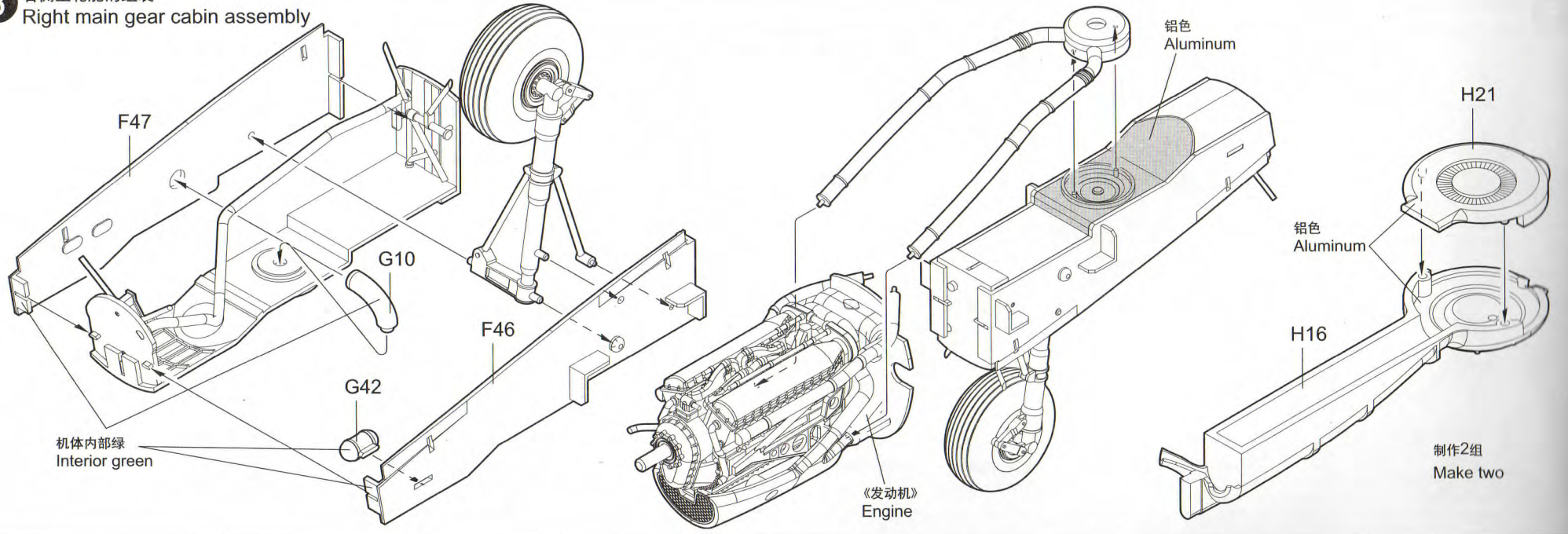
6 右侧主起落架的组装
Right main undercarriage assembly



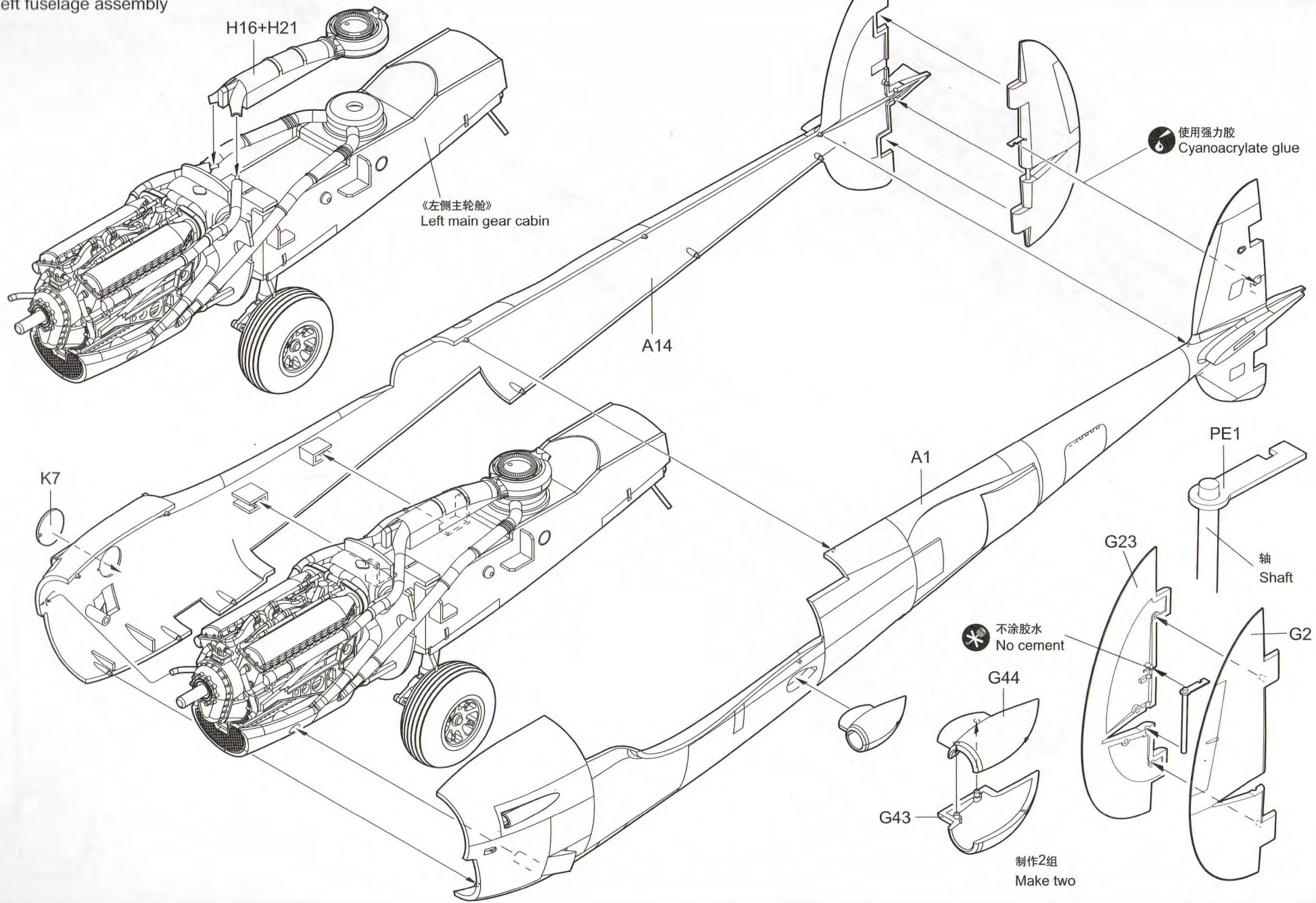
7 右侧主轮舱的组装
Right main gear cabin assembly



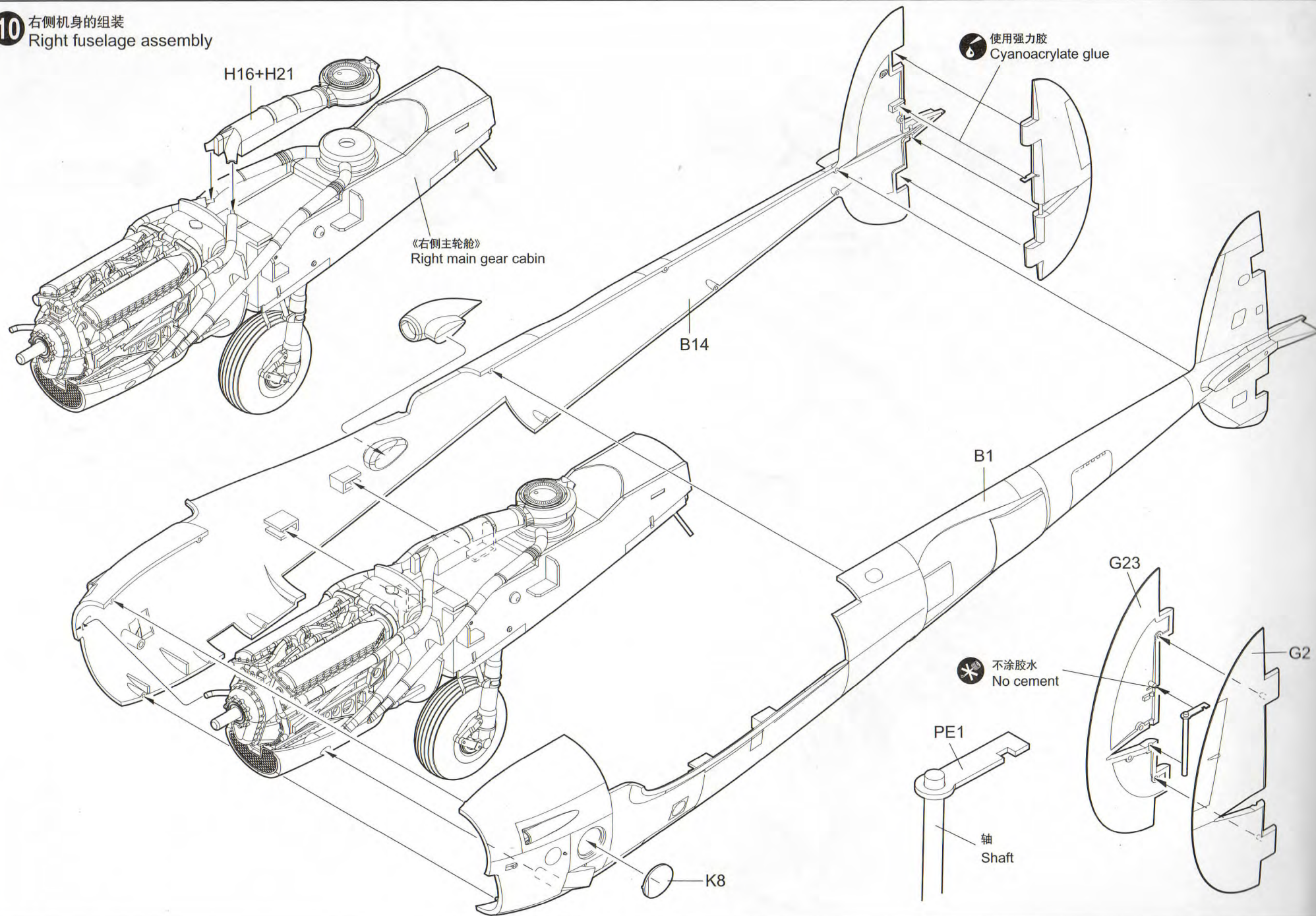
8 右侧主轮舱的组装
Right main gear cabin assembly



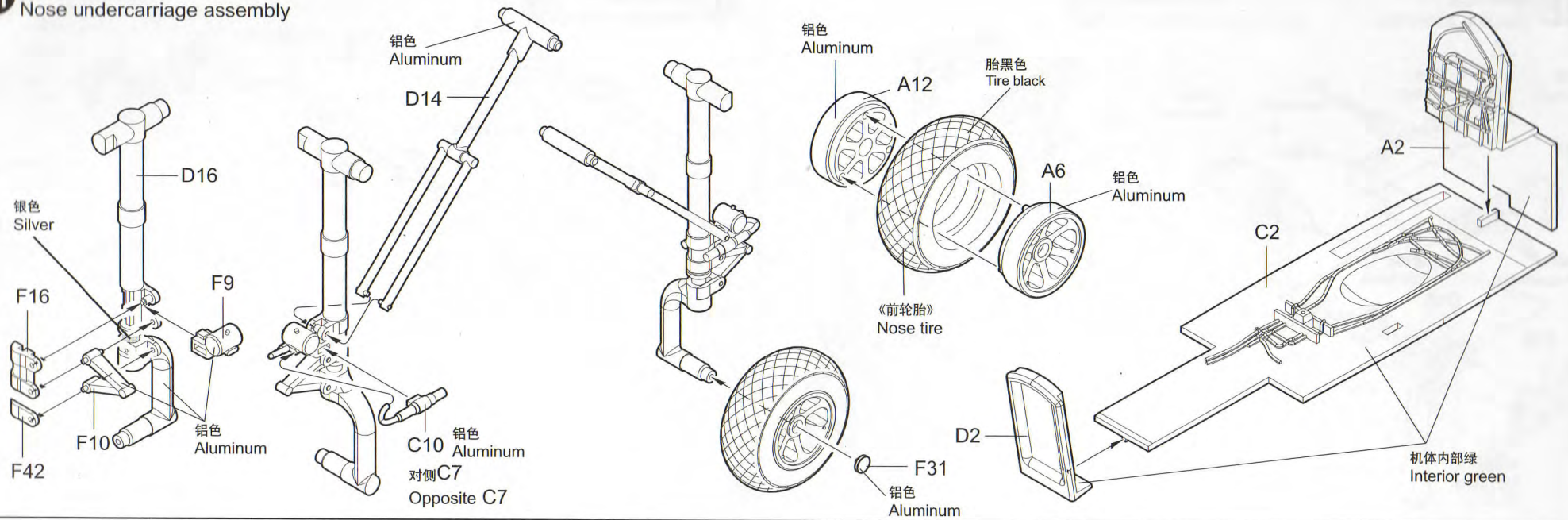
9 左侧机身的组装
Left fuselage assembly



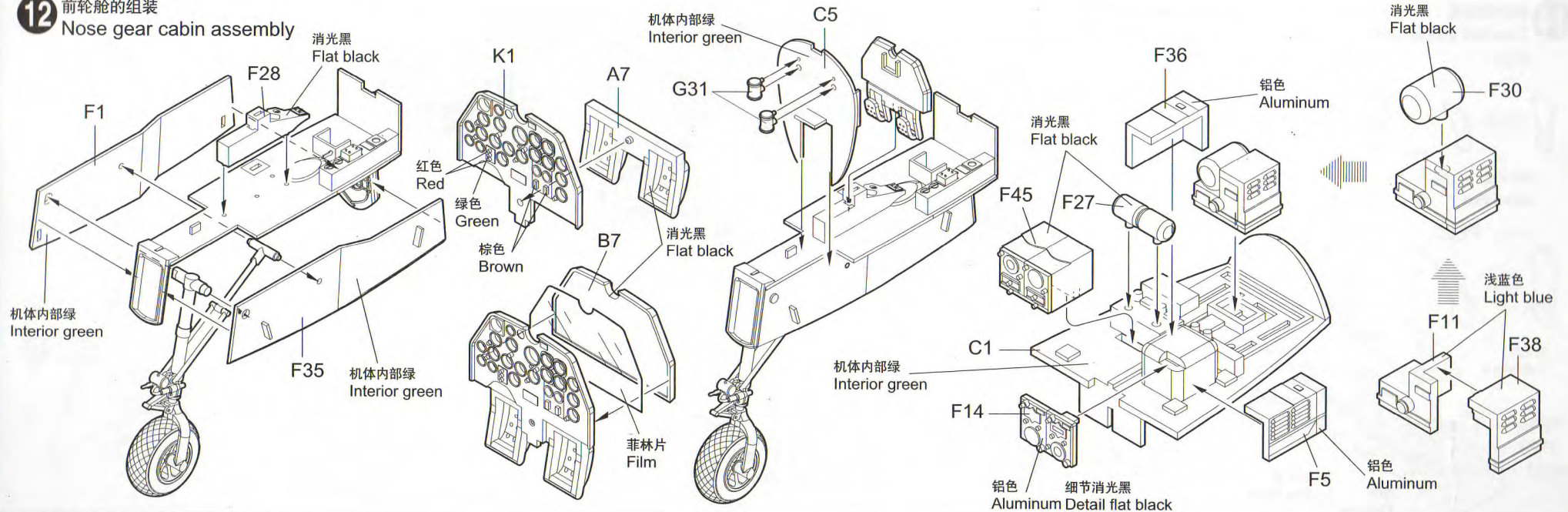
10 右侧机身的组装
Right fuselage assembly



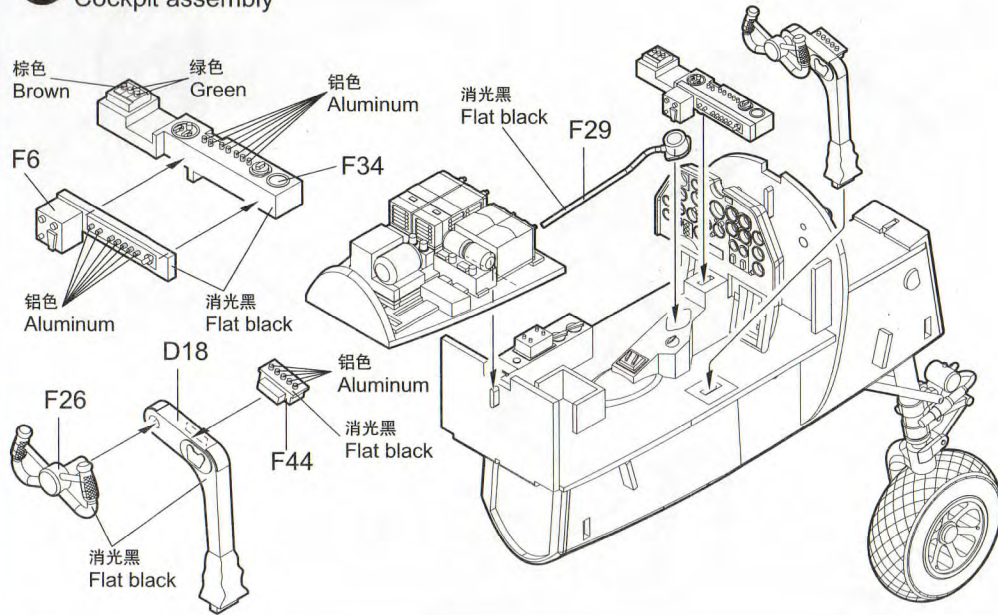
11 前起落架的组装
Nose undercarriage assembly



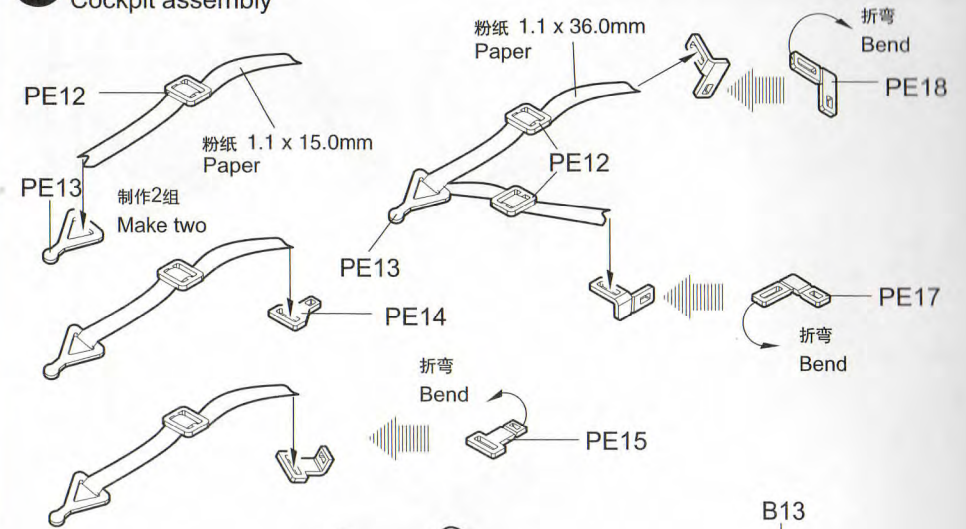
12 前轮舱的组装
Nose gear cabin assembly



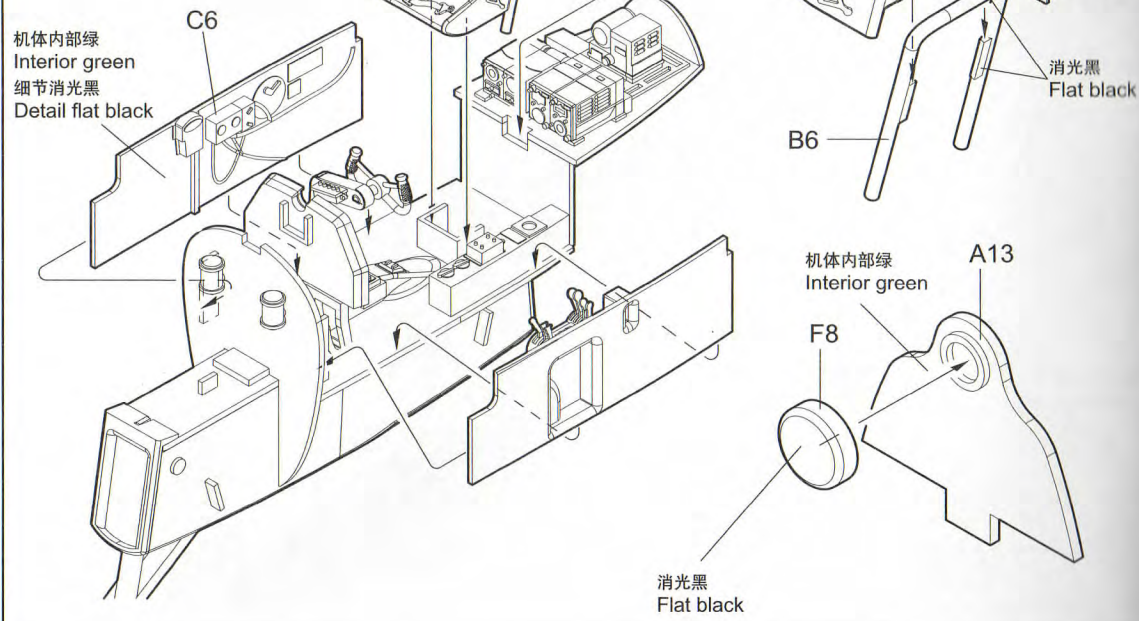
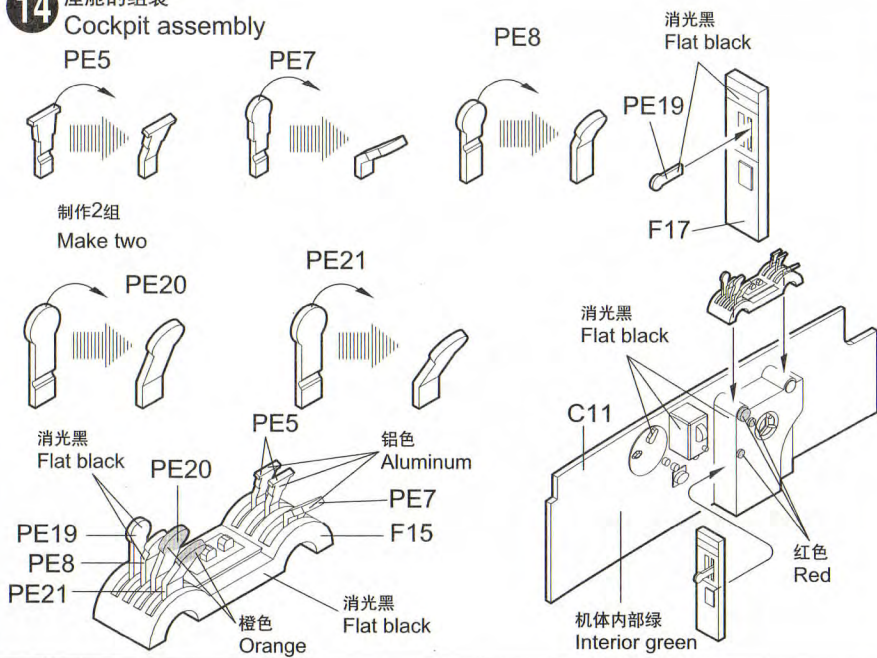
13 座舱的组装
Cockpit assembly



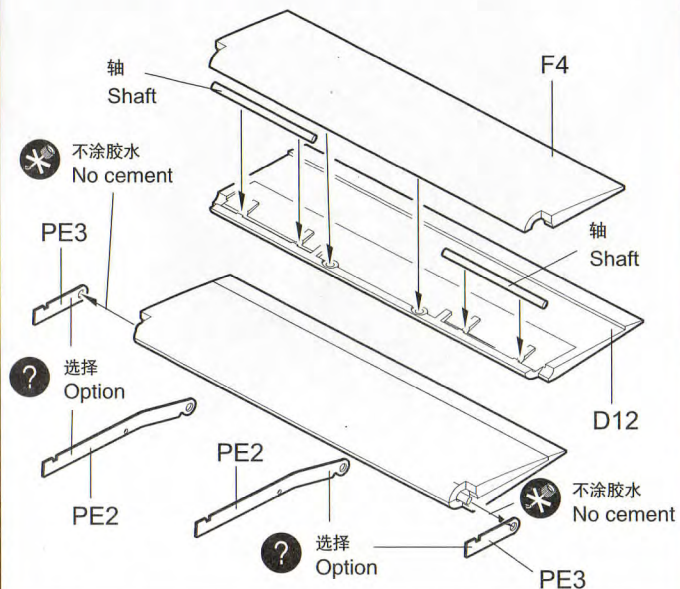
15 座舱的组装
Cockpit assembly



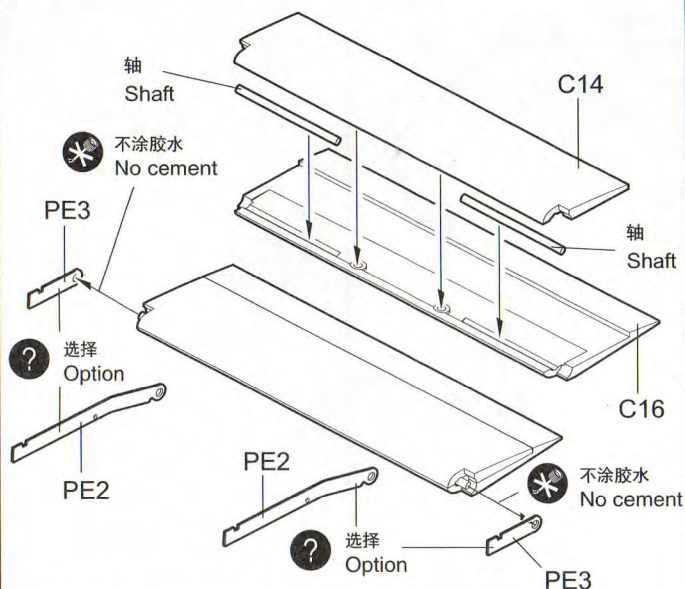
14 座舱的组装
Cockpit assembly



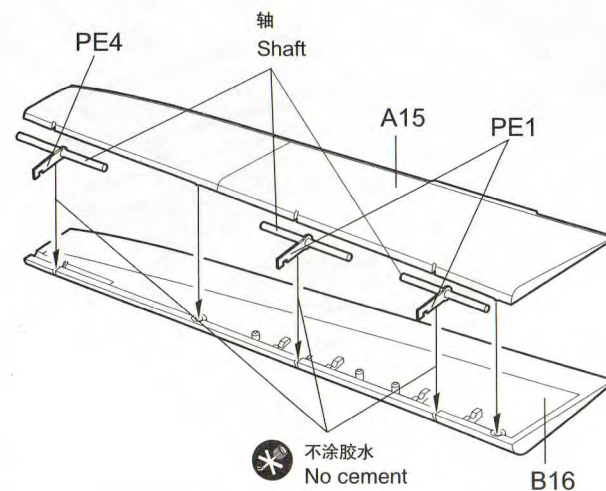
16 左内侧襟翼的组装
Left inboard flap assembly



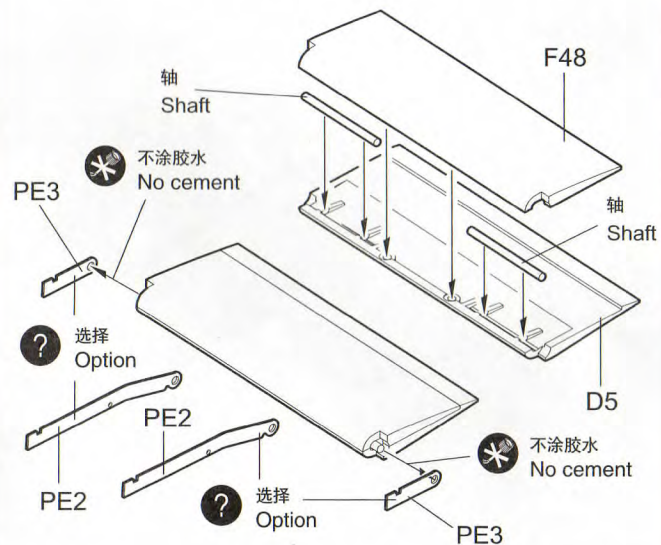
17 左外侧襟翼的组装
Left outboard flap assembly



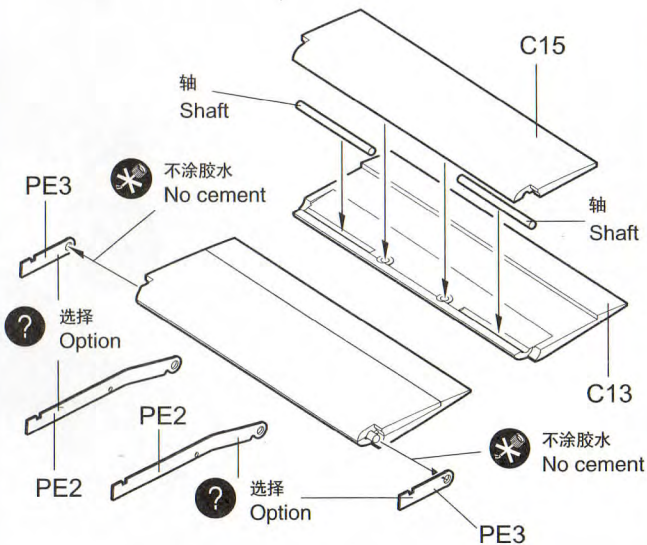
18 左侧副翼的组装
Left aileron assembly



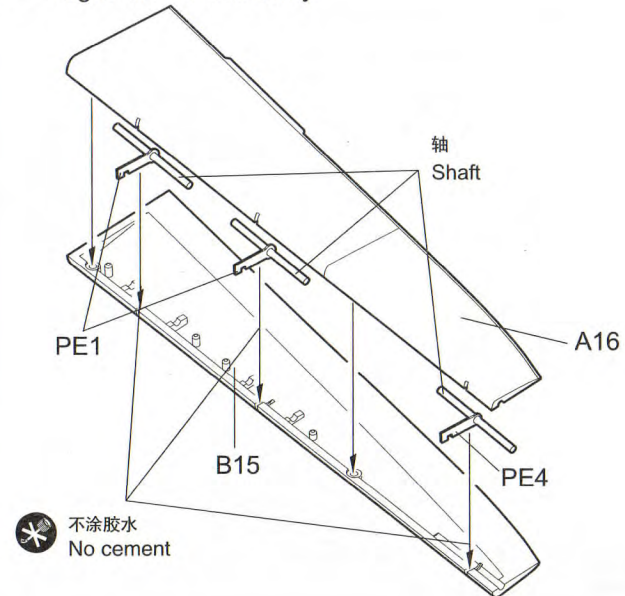
19 右内侧襟翼的组装
Right inboard flap assembly



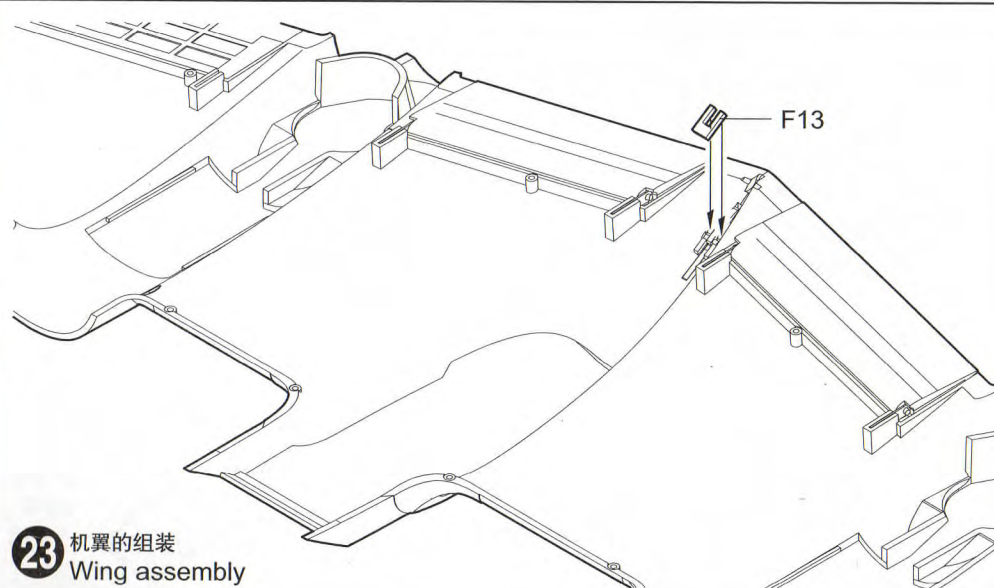
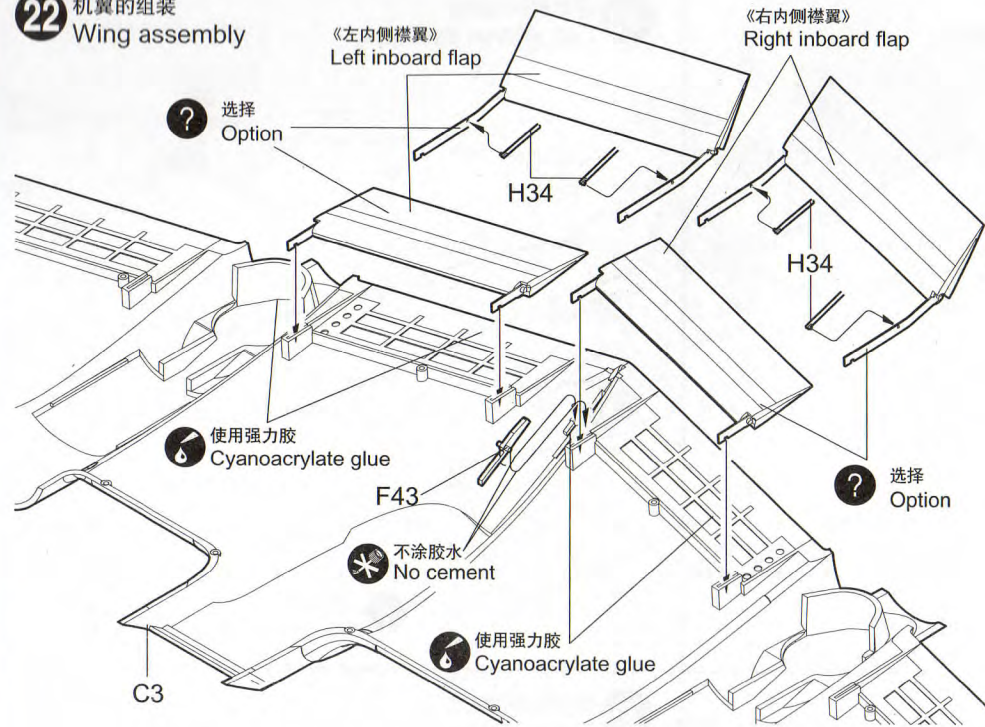
20 右外侧襟翼的组装
Right outboard flap assembly



21 右侧副翼的组装
Right aileron assembly

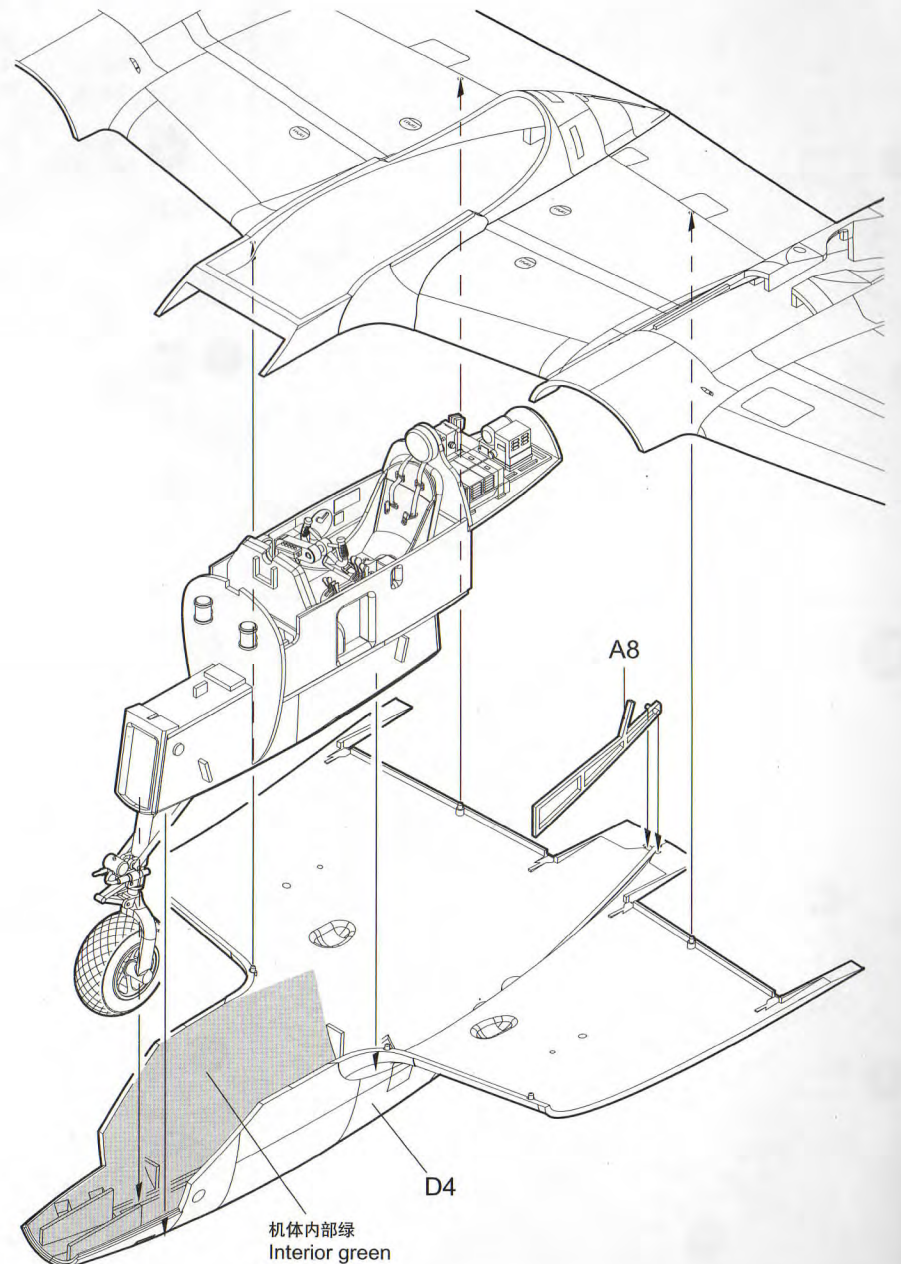


22 机翼的组装
Wing assembly

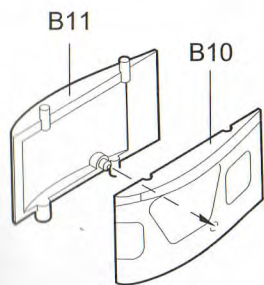
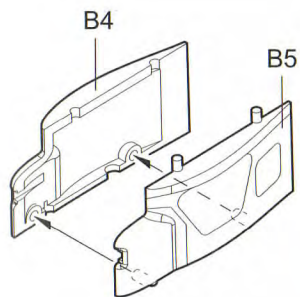
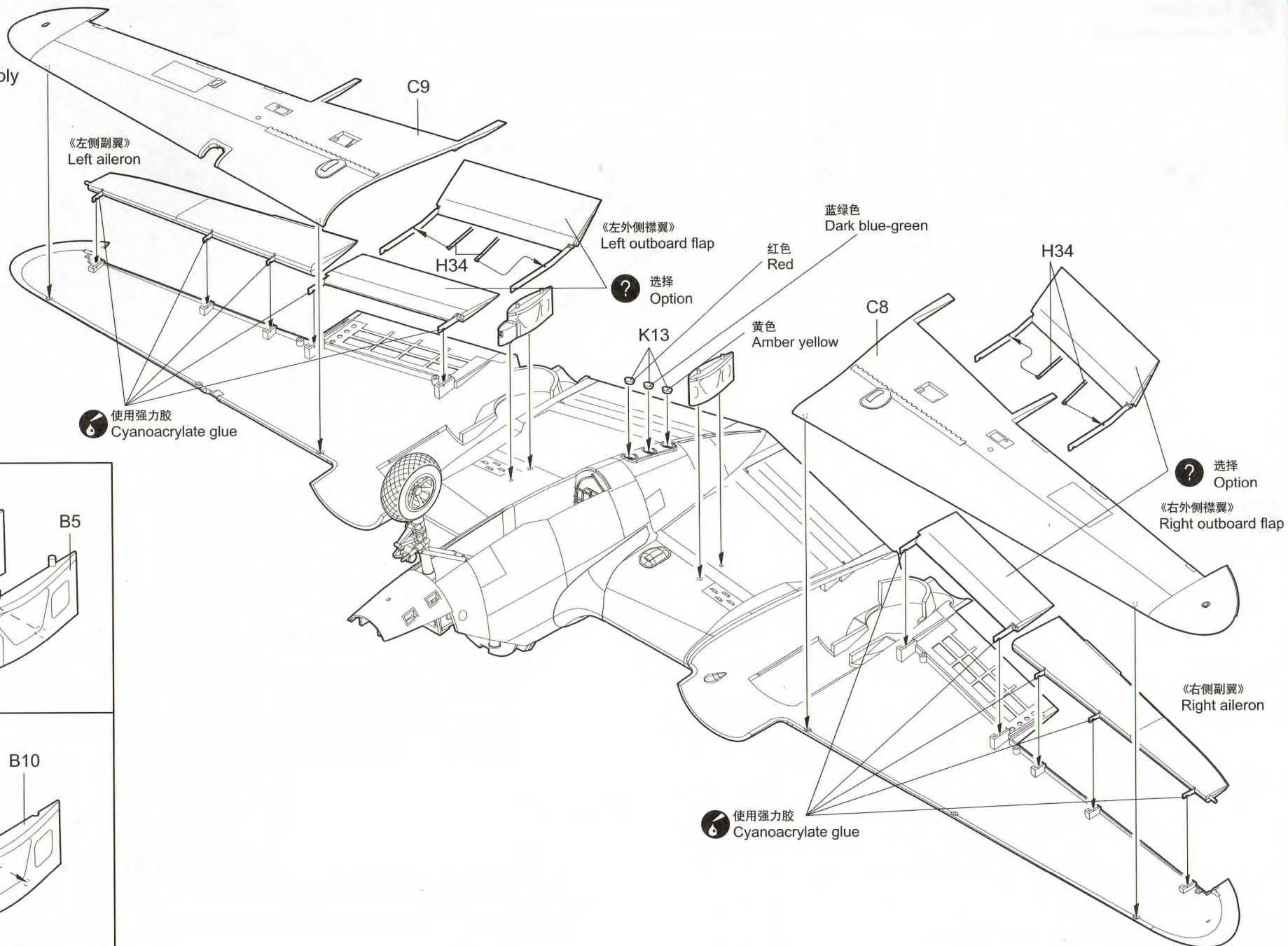


23 机翼的组装
Wing assembly

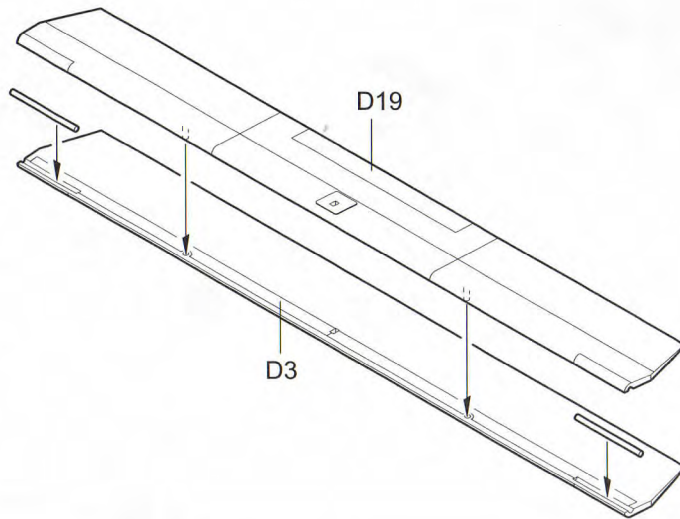
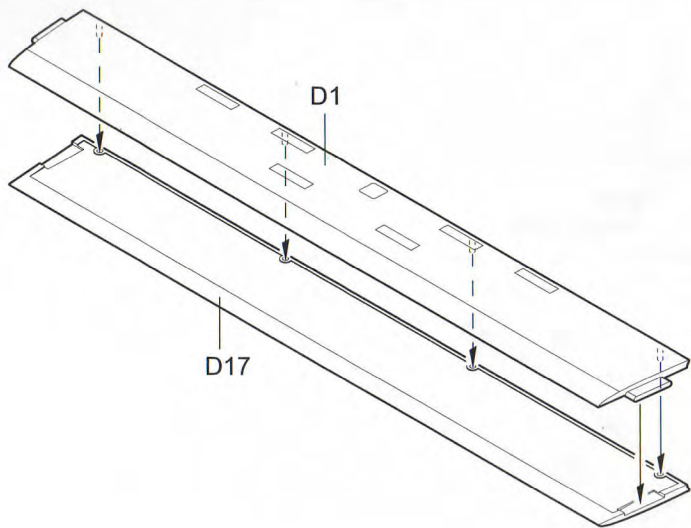
24 座舱的安装
Cockpit installation



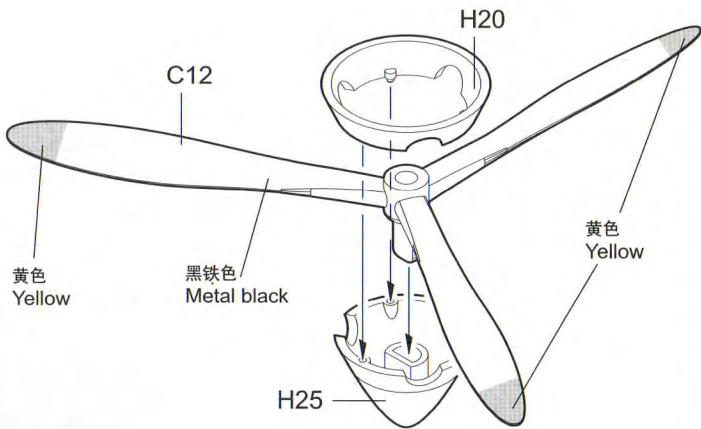
25 机翼的组装
Wing assembly



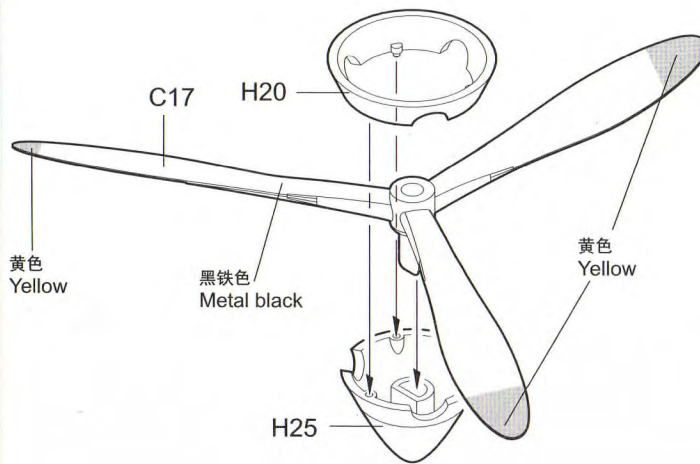
26 升降舵的组装
Elevator assembly



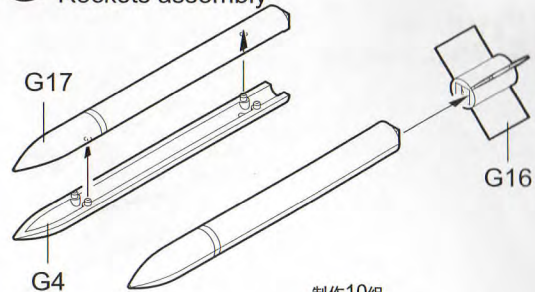
27 左侧螺旋桨的组装
Left propeller assembly



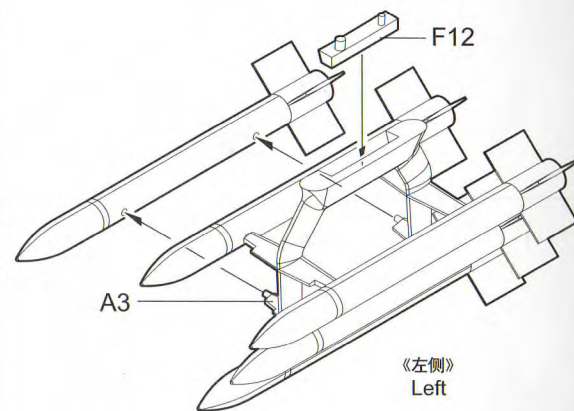
28 右侧螺旋桨的组装
Right propeller assembly



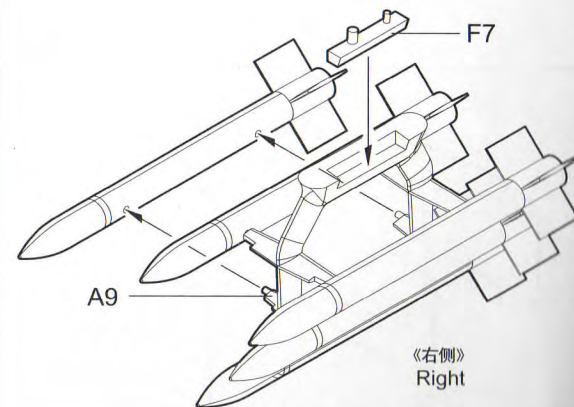
29 火箭弹的组装
Rockets assembly



制作10组
Make ten

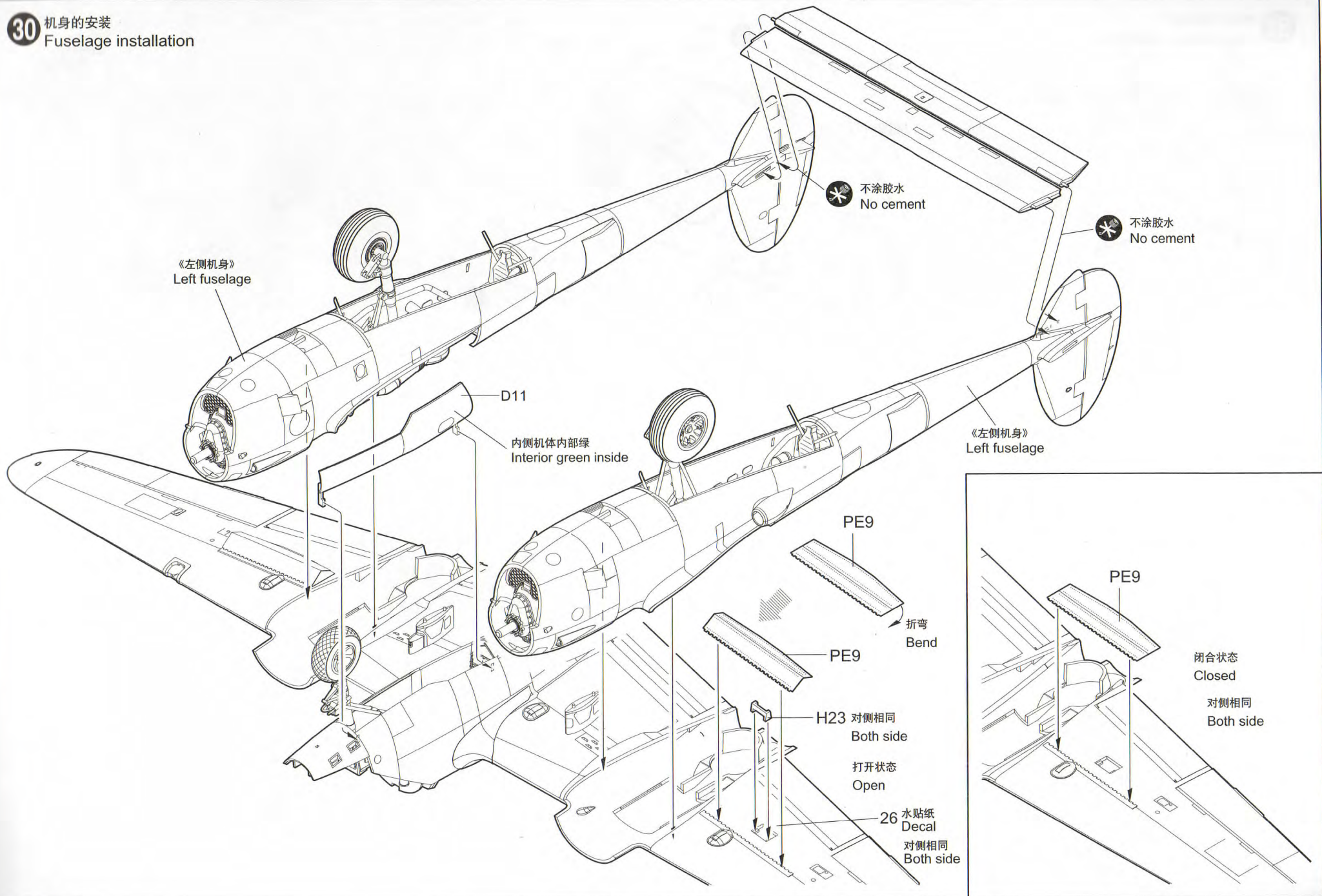


《左侧》
Left

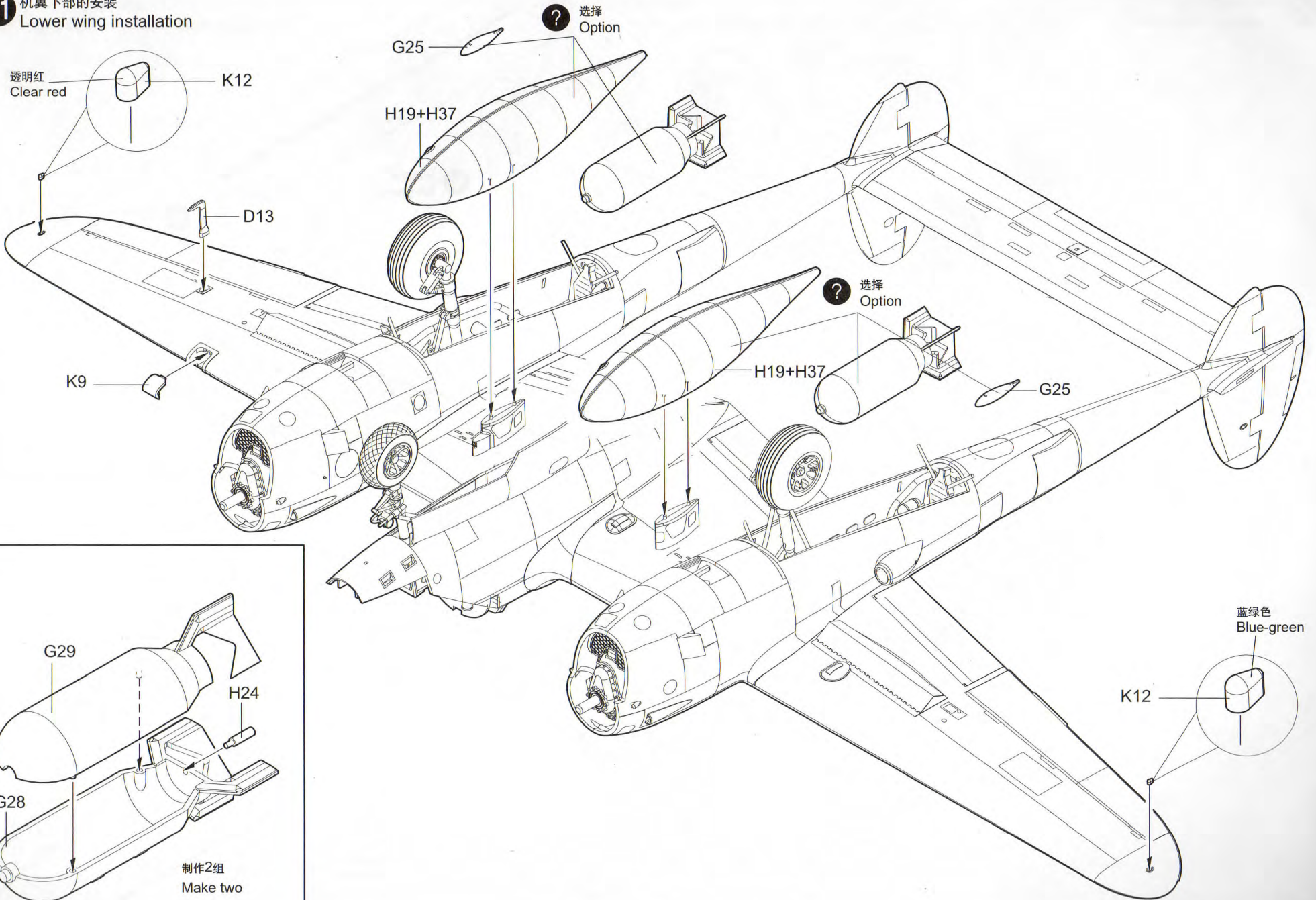


《右侧》
Right

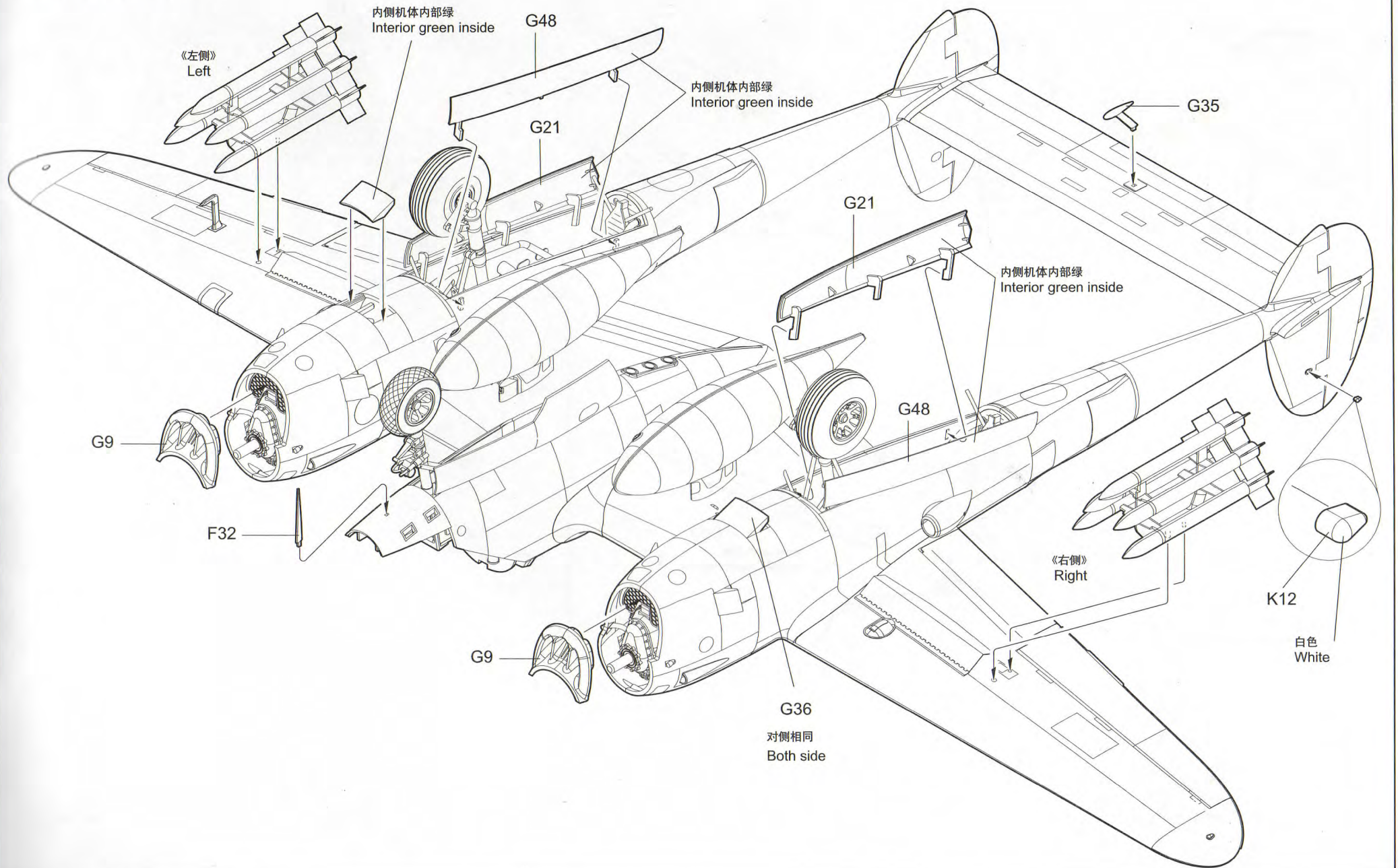
30 机身的安装
Fuselage installation



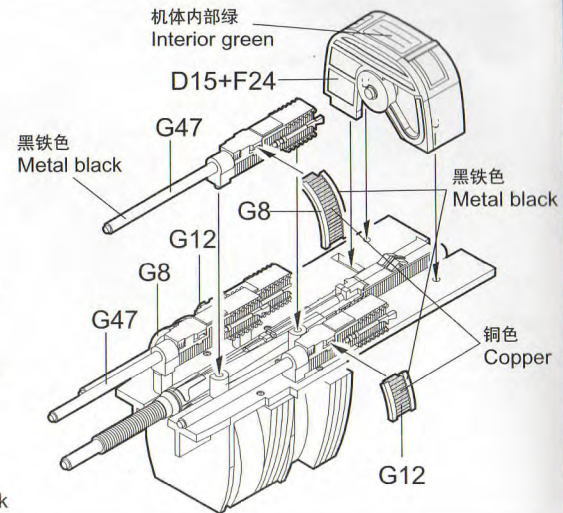
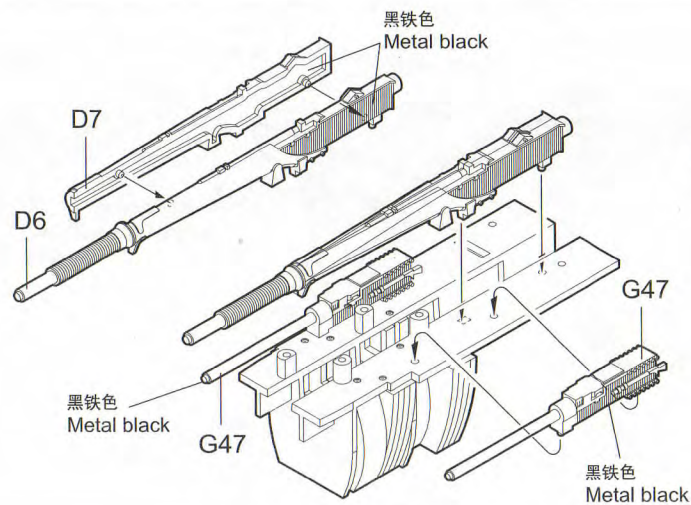
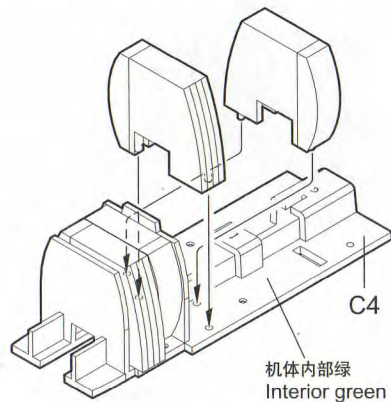
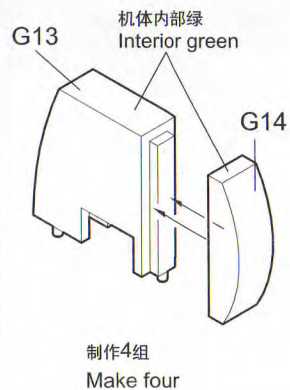
31 机翼下部的安装
Lower wing installation



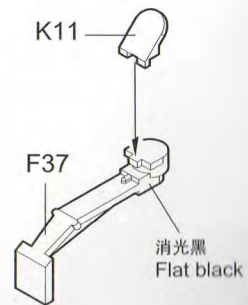
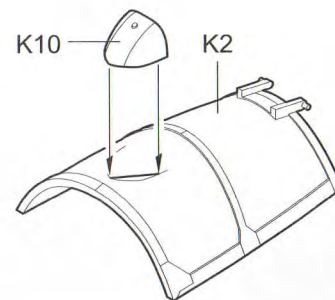
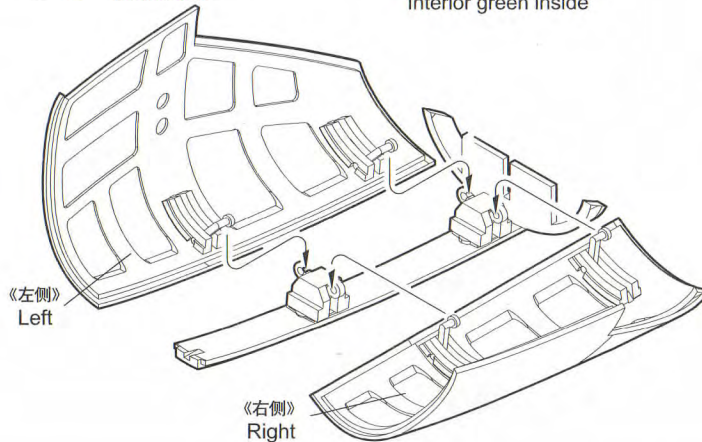
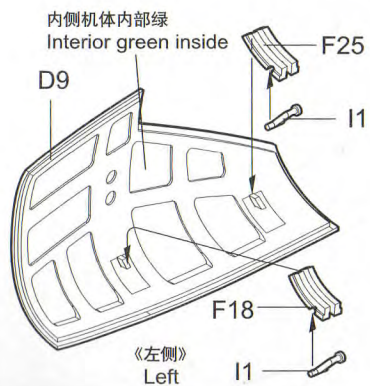
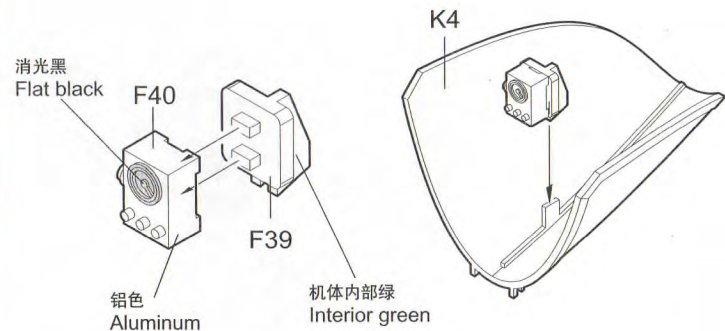
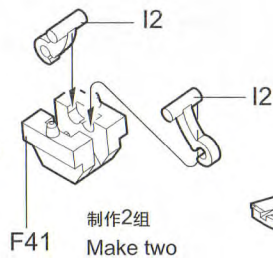
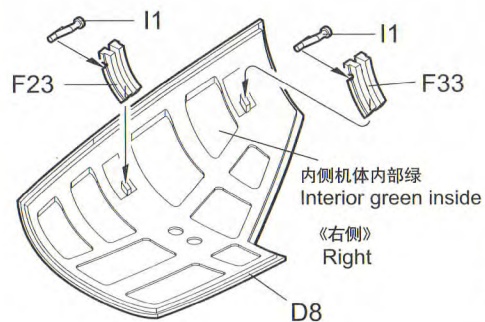
32 火箭弹的安装
Rocket installation



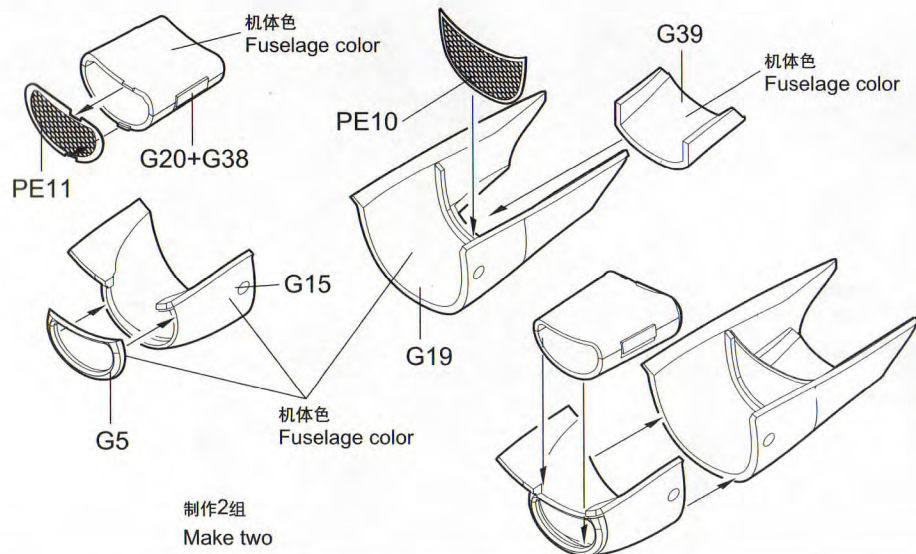
33 弹药舱的组装
Gun bay assembly



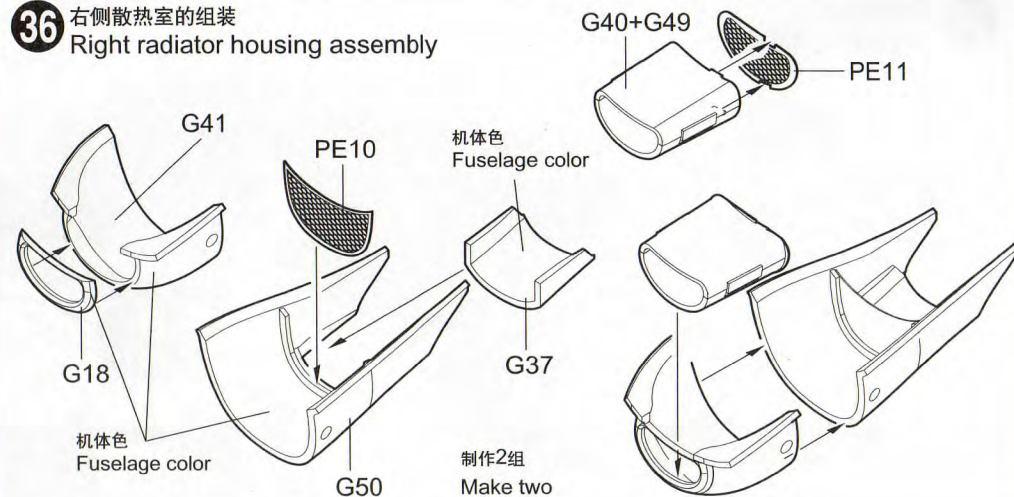
34 弹药舱盖板的组装
Gun bay cover assembly



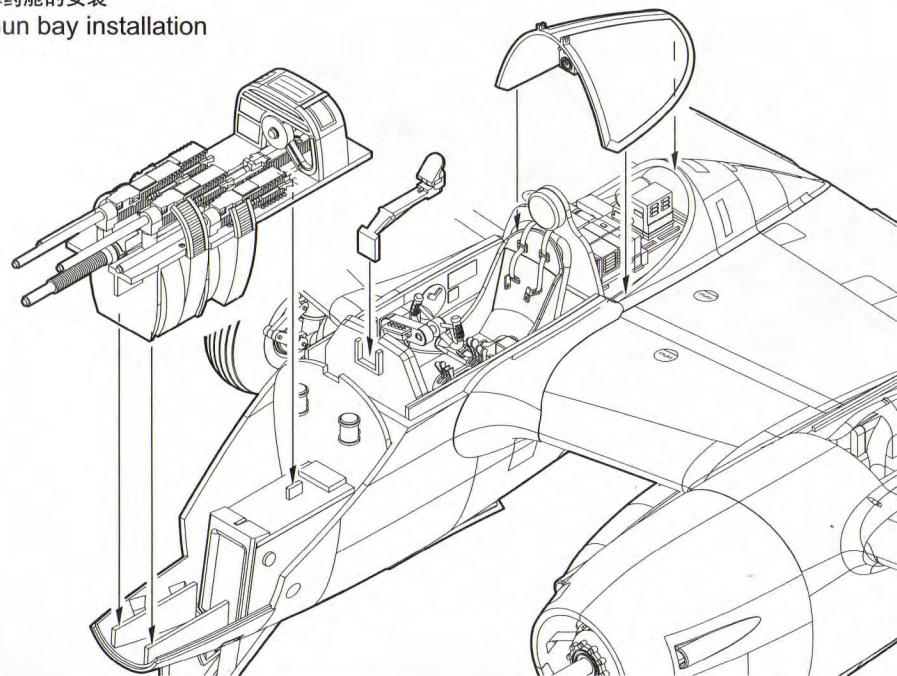
35 左侧散热室的组装
Left radiator housing assembly



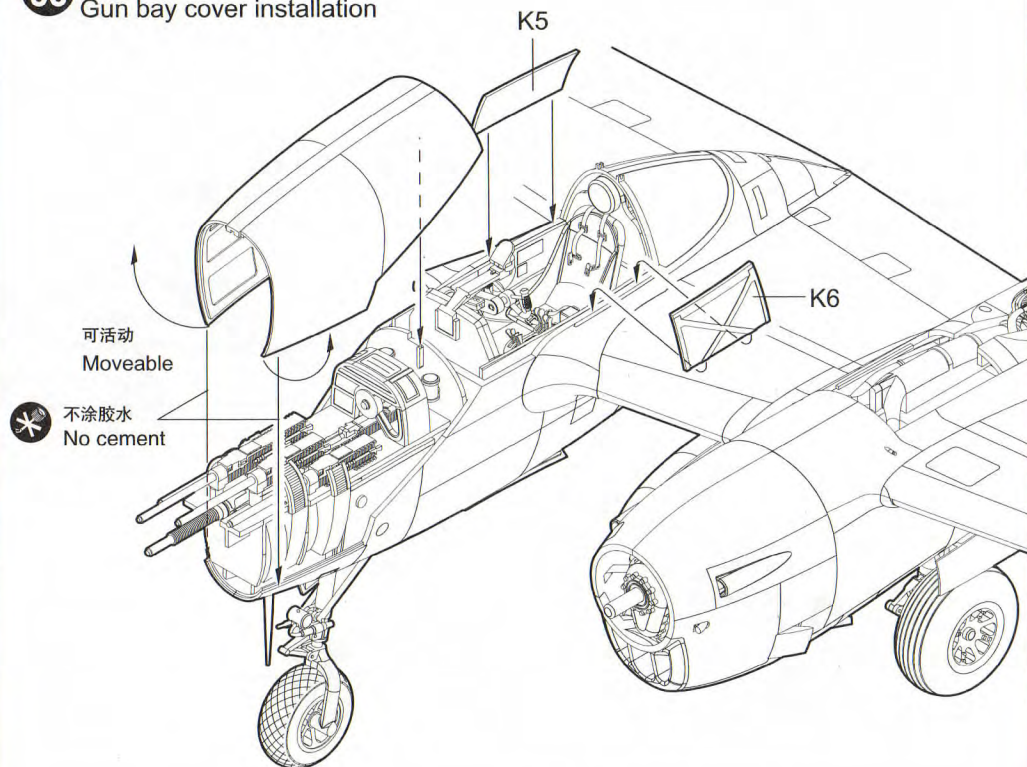
36 右侧散热室的组装
Right radiator housing assembly



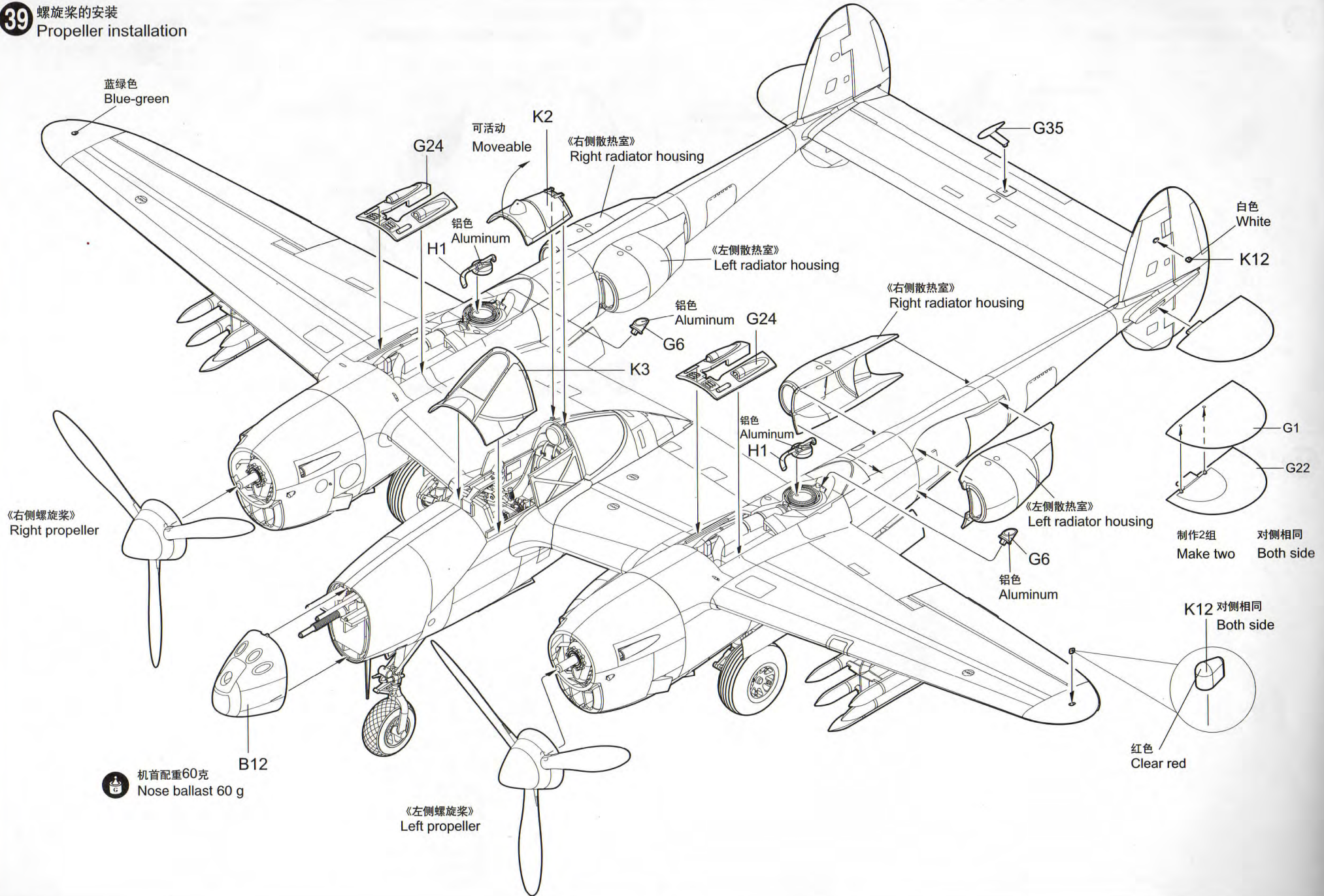
37 弹药舱的安装
Gun bay installation



38 弹药舱盖板的安装
Gun bay cover installation



39 螺旋桨的安装
Propeller installation



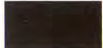



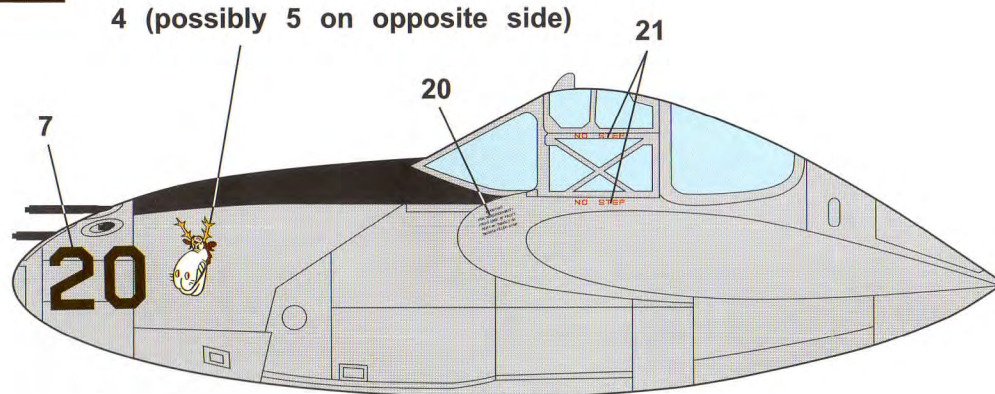
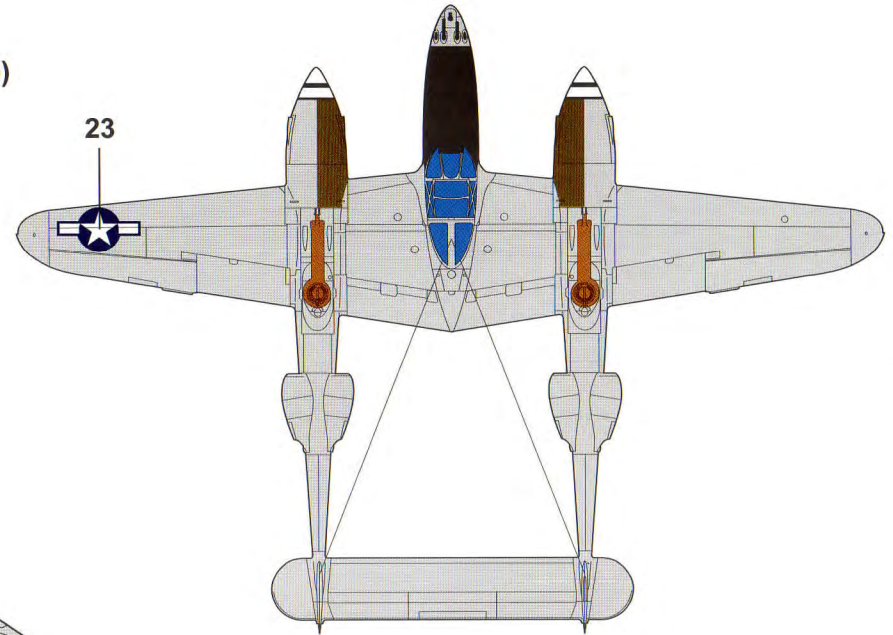
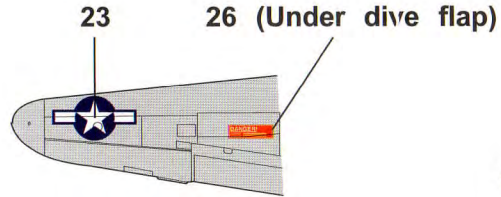
Eagle Editions Ltd.
 P.O. Box 580
 Hamilton MT USA 59840

406 363 5415 voice

406 375 9270 fax

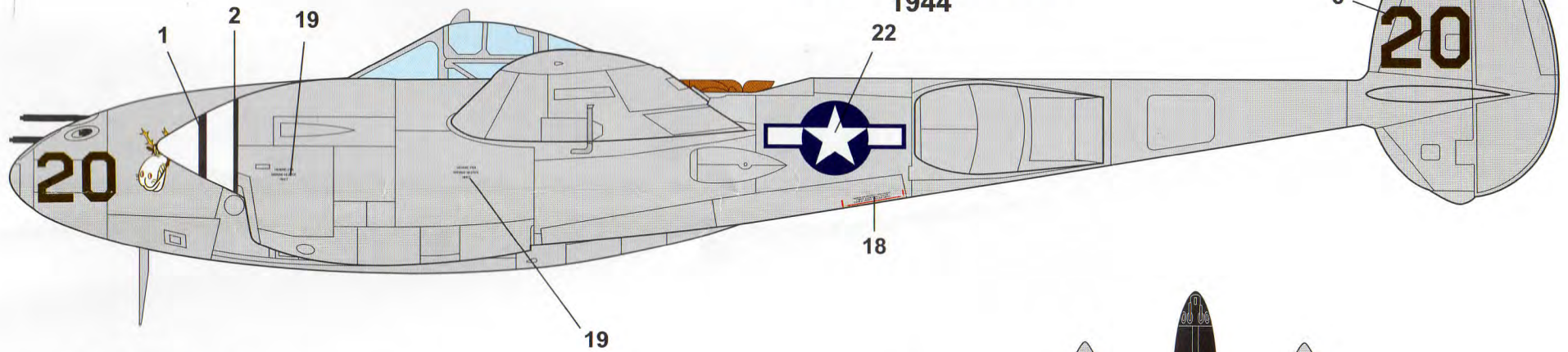
<http://www.eagle-editions.com>

-  Natural Aluminum
-  Black
-  Olive Drab

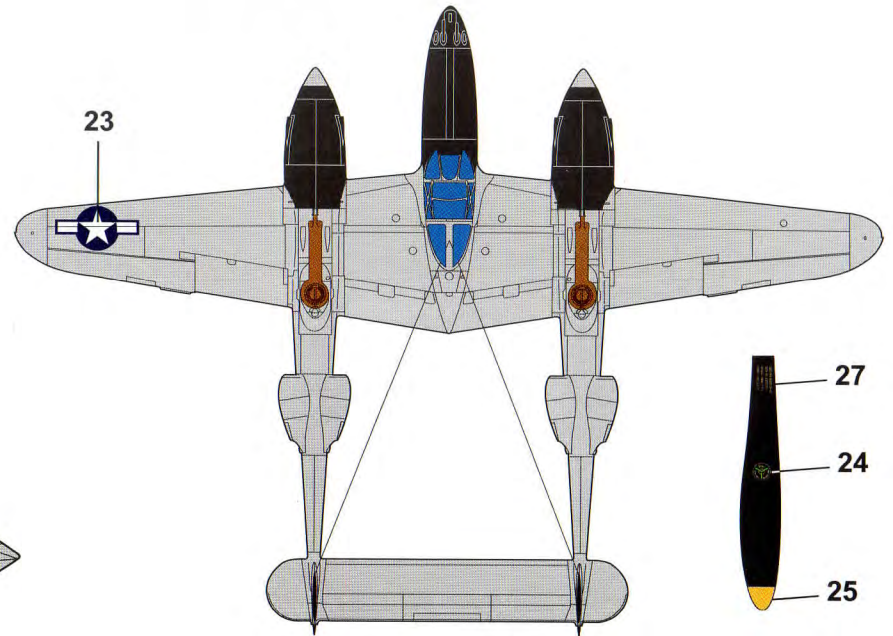
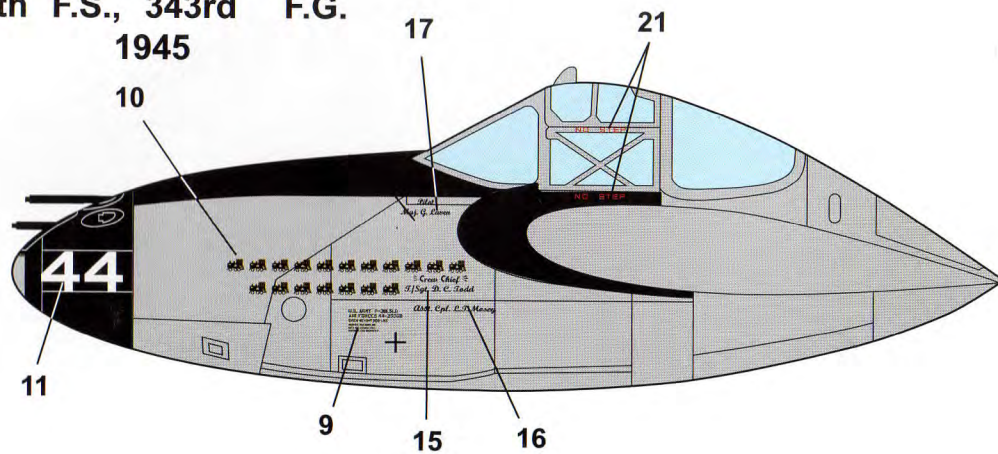


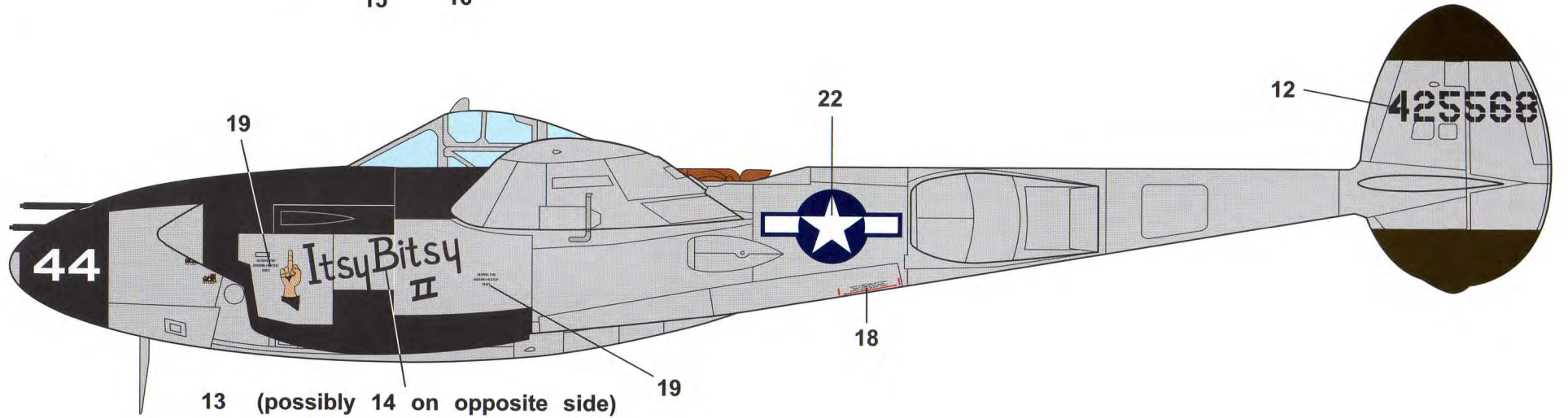
P-38L-5-LO

P-38L-5-LO
 Maj. Donald Campbell
 36th F.S., 8th F.G.
 1944



P-38L-5-LO
 44-25568
 "Itsy Bitsy II"
 Maj. George Lavin Jr.
 54th F.S., 343rd F.G.
 1945





02227 1/32 Lockheed P-38L-5-LO Lightning