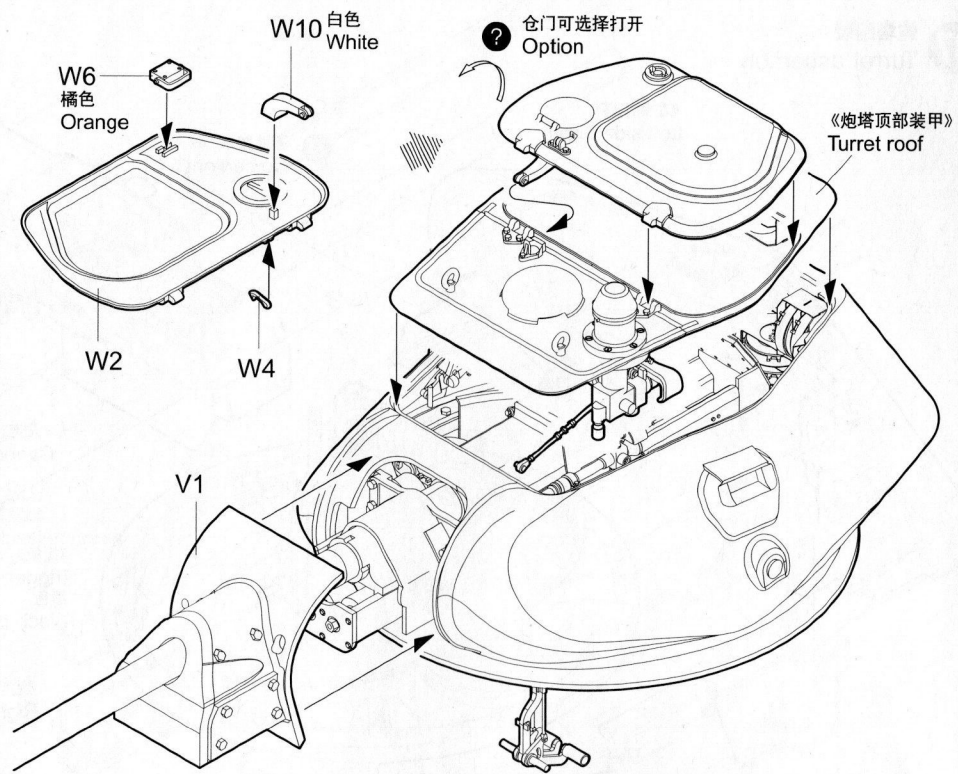
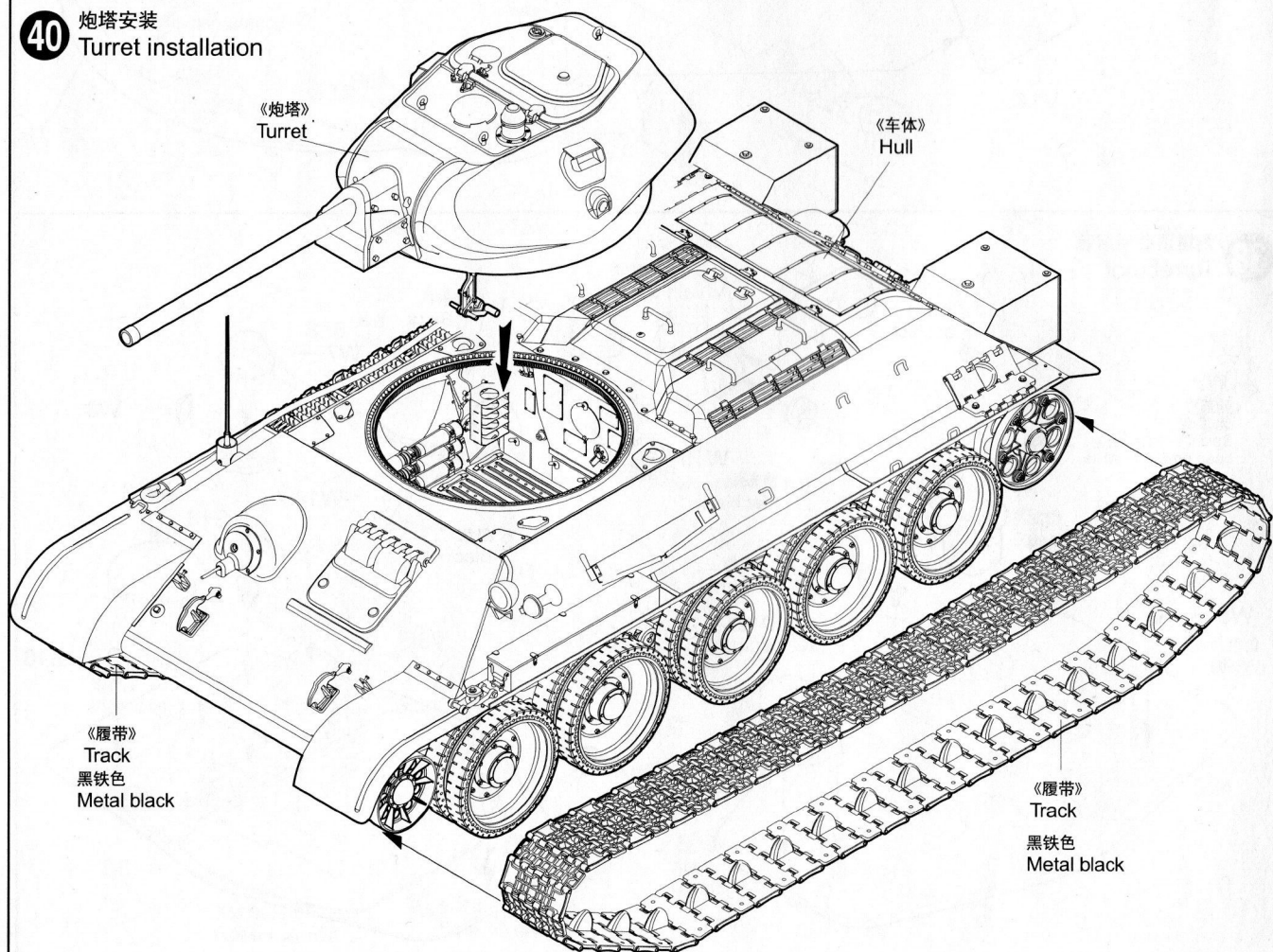


**39** 炮塔组装  
Turret assembly

**履带连接 TRACK**  
履带板a、b各装36节  
Each track consists of 36 toothed and 36 flat track links  
制作2组 《含齿履带》  
Make two Toothed track  
《平板履带》  
Flat track



**40** 炮塔安装  
Turret installation



1:16 Scale

**T-34/76 Model 1942**  
**T-34-76 中型坦克1942年型**



**READ BEFORE ASSEMBLY**

- Study and understand these instructions thoroughly before beginning assembly. Make sure all parts are included by comparing them to those shown on pages 2 & 3 of these instructions.
- Remove parts from sprues as needed, and trim excess with a hobby knife. Be careful not to lose small parts.
- Remove photo-etch parts from sprue as needed using a hobby knife or photo etch cutter.
- Apply cement to photo etch parts as shown on instructions. Applying too much cement will restrict the operation of these movable parts. Apply cement carefully! Removed photo etch parts can have sharp edges. Take care when handling these to avoid injury.
- Apply decals to necessary parts prior to assembly.
- Additional tools recommended(not included):Sprue cutter, Long nose pliers, hobby knife, file, tweezers, pin vise, scissors, cement, sandpaper, soft cloth, glue and paint.
- Keep all parts out of reach of children, as they pose a choking hazard. Discard all unnecessary bags and sprues when model is completed to avoid accidental injury.

**装配之前仔细阅读**

- 小心用模型锉刀锉平所有零件表面的注射浇口。
- 小心用刀片切下蚀刻片零件，不要遗失小零件。
- 用强力快干胶水粘合蚀刻片零件和金属轴。过量的快干胶水使用可能导致可动零件会粘住，小心涂胶。
- 取蚀刻片时应特别注意安全，防止利边划伤手指。
- 某些零件表面需贴上水贴纸，请选择在装配的同时进行。
- 推荐模型工具(自备)：胶水，水口剪刀，长咀钳，刀片，锉刀，镊子钳，钻，剪刀，瞬间快干胶。
- 软布同砂纸同时也应该是必备工具。
- 请使用塑料胶水和油漆，模型内不含。
- 谨防小孩吸吮塑料零件，或者将塑料袋套在头上，制作时应将套材远离小孩接触。



cyanoacrylate glue  
使用强力胶



weight  
配重



make hole  
钻孔



cut / remove  
切除



bend  
弯曲



file / sand  
锉平



option  
选择



no cement  
不涂胶水



decal  
贴纸

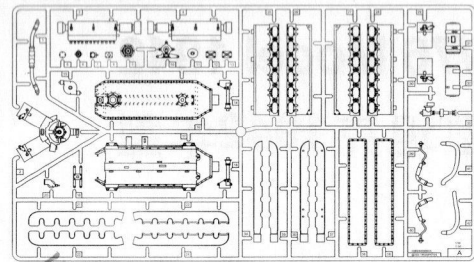
**水贴纸的使用:**

1. 从水贴上剪下印花;
2. 将印花放入温水中浸10秒，然后放在干净布上。
3. 拿着印花纸板将印花移到模型上;
4. 手指蘸水将印花移到适当的位置;
5. 用软布轻压印花直至水干，汽泡消失。

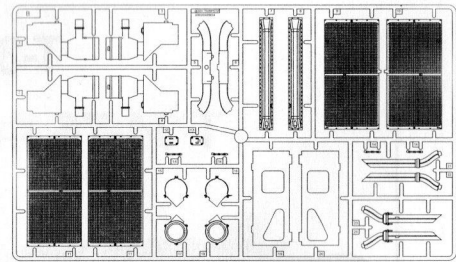
**DECAL APPLICATION**

1. Cut off decal from sheet.
2. Dip the decal in tepid water 40° C for about 10 sec. and place on a clean cloth.
3. Hold the backing sheet edge and slide decal onto the model.
4. Move decal into position by wetting decal with finger.
5. Press decal gently down with a soft cloth until excess water and air bubbles are gone.

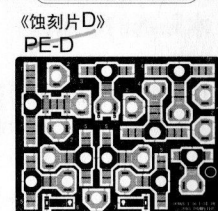
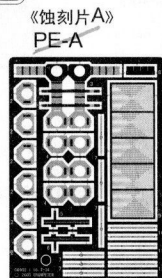
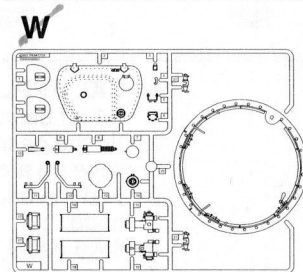
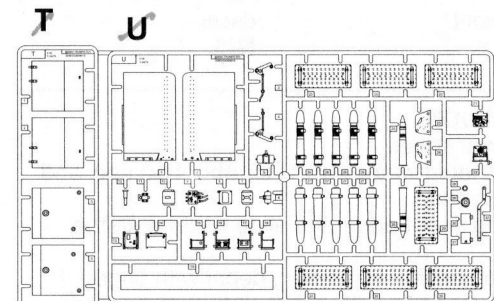
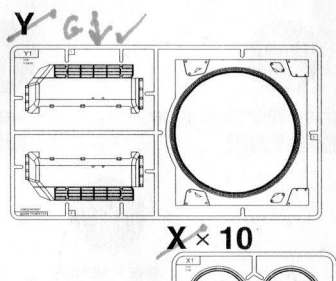
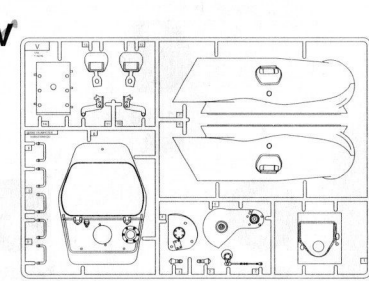
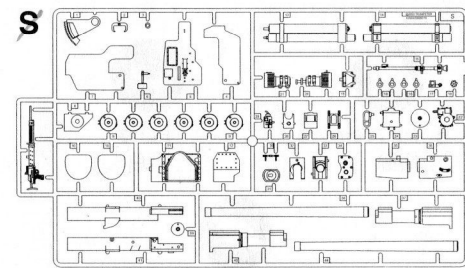
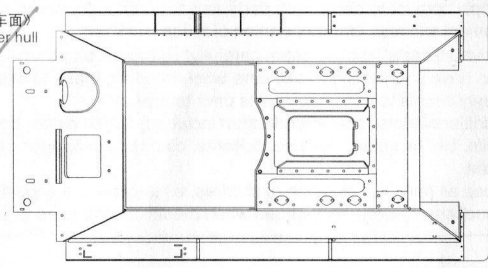
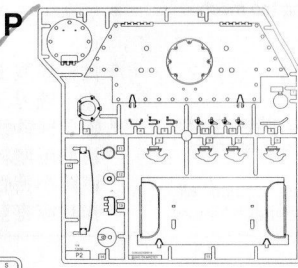
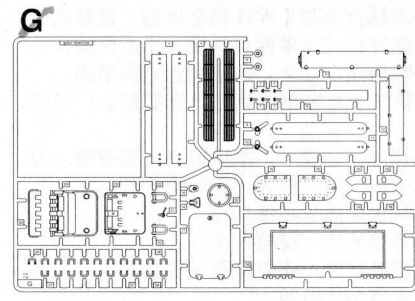
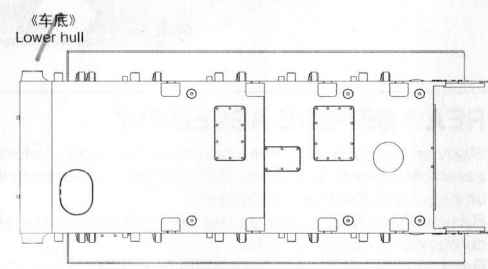
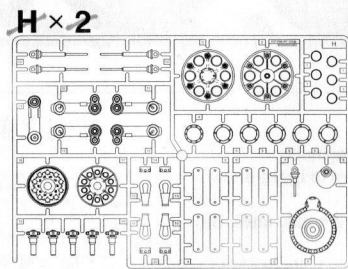
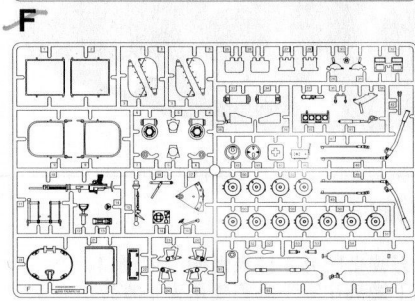
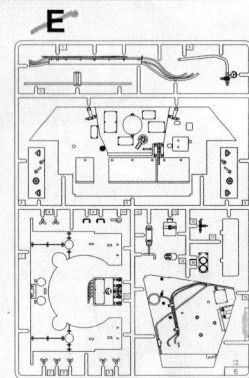
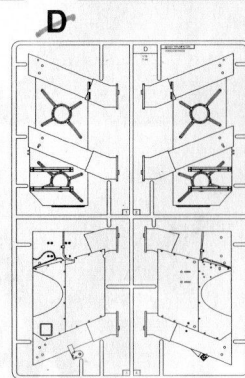
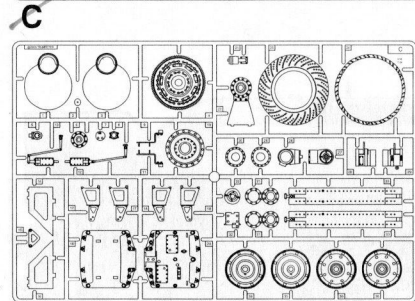
**A 部品图 Parts**



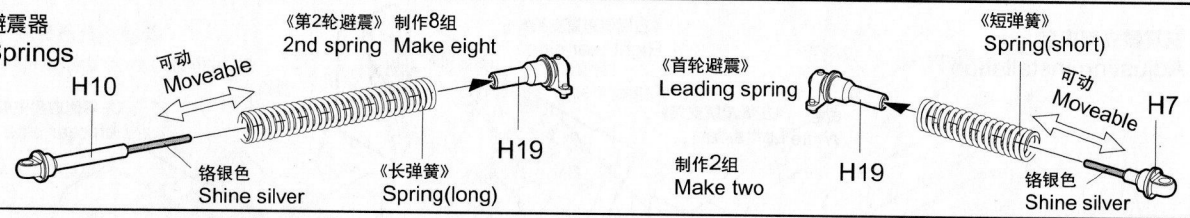
**B**



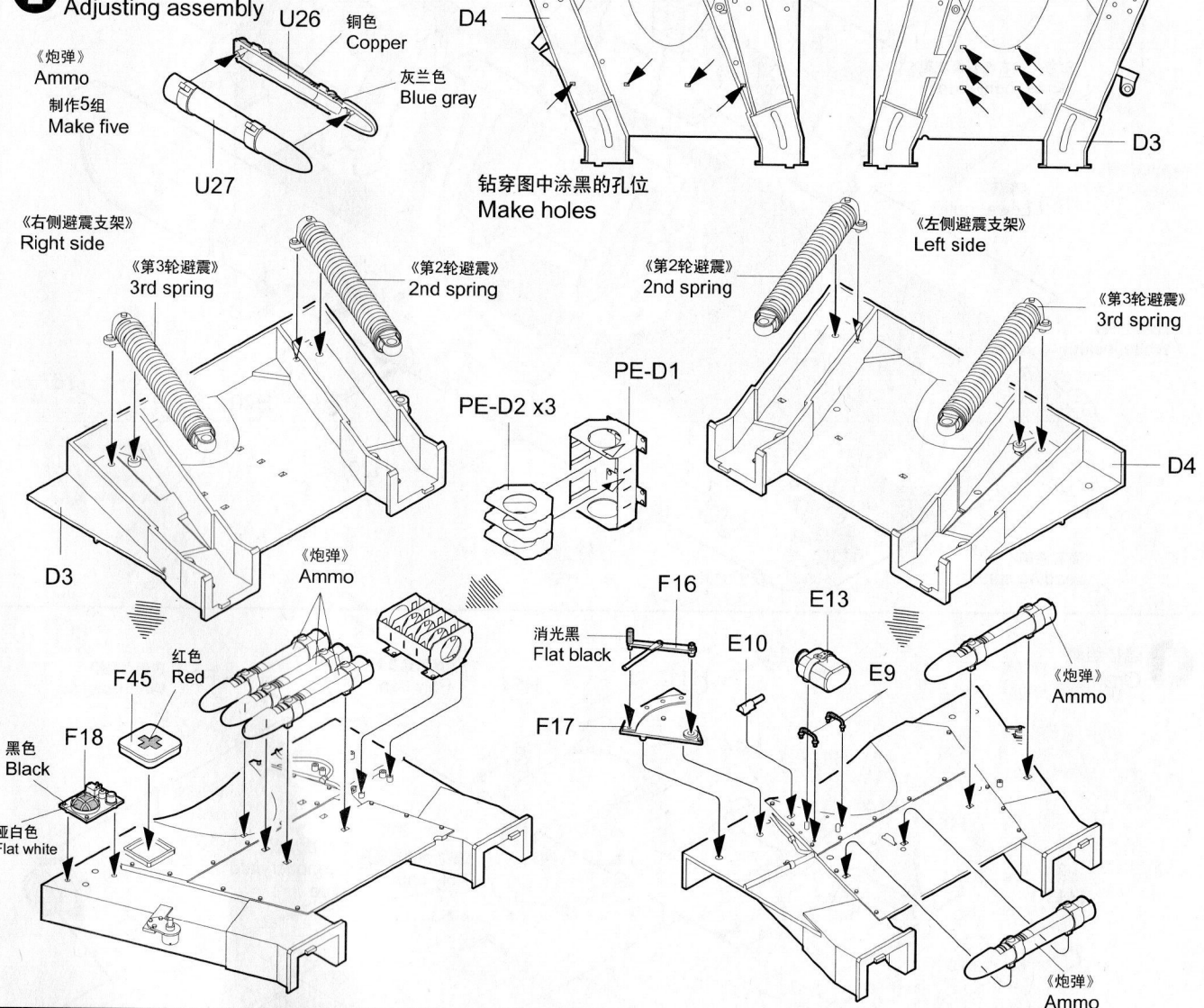
- 《聚乙烯套》 Poly cap Long
- 《短弹簧》 Spring(short) × 2
- 《长弹簧》 Spring(long) × 8
- 《含齿履带》 Toothed track × 78
- 《平板履带》 Flat track × 78
- 《橡胶》 Tyre × 20
- 《车灯》 Head light
- 《水贴纸》 Decal
- 《铜索》 Brass wire



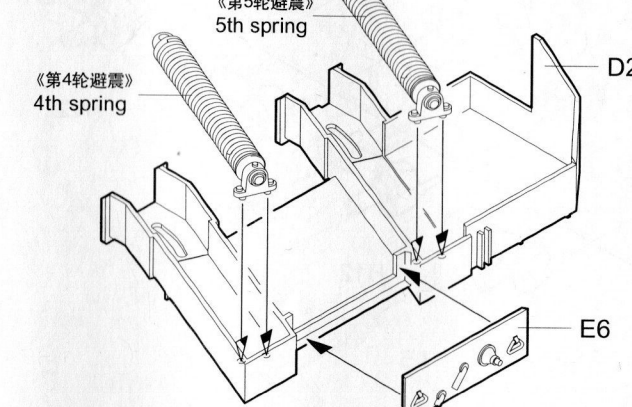
**1 避震器 Springs**



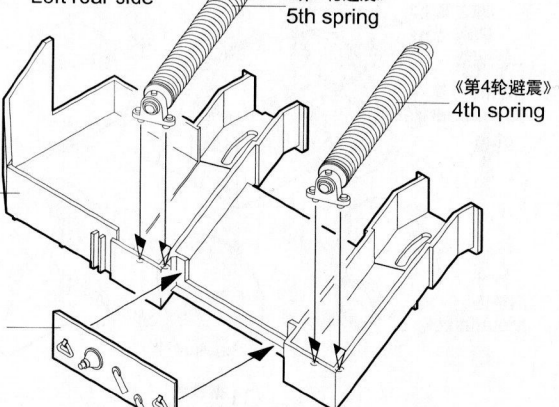
**2 避震支架组装 Adjusting assembly**



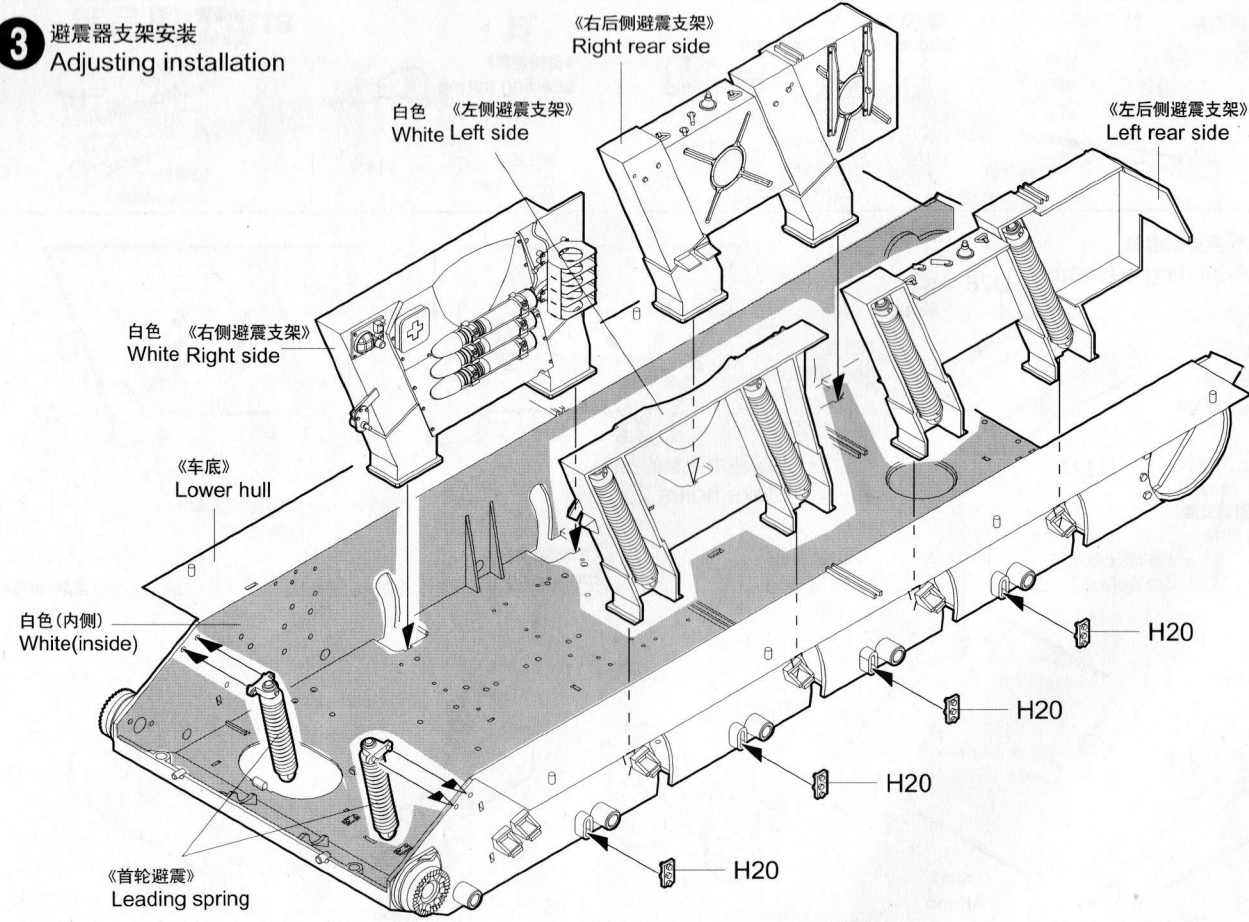
**《右后侧避震支架》 Right rear side**



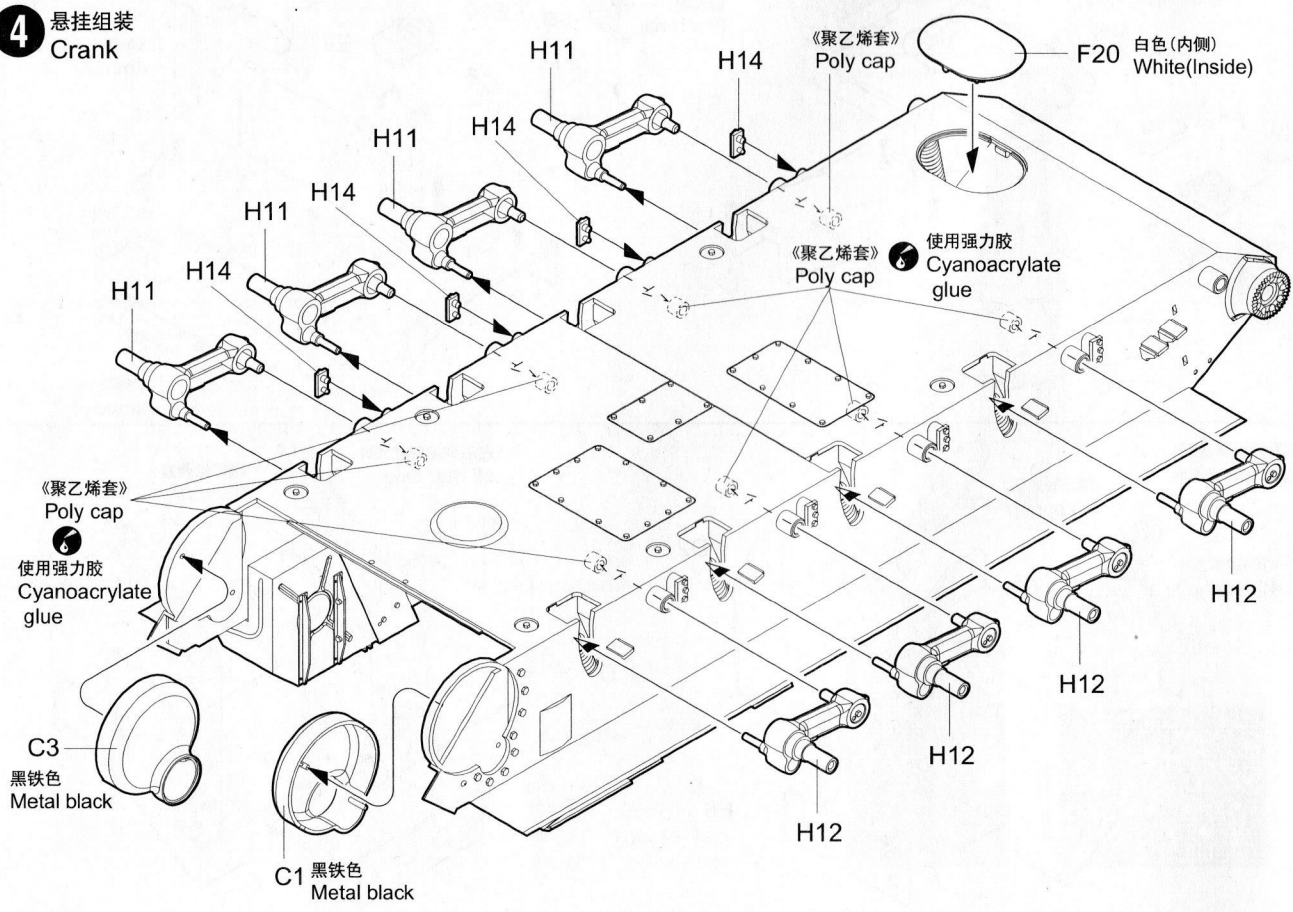
**《左后侧避震支架》 Left rear side**



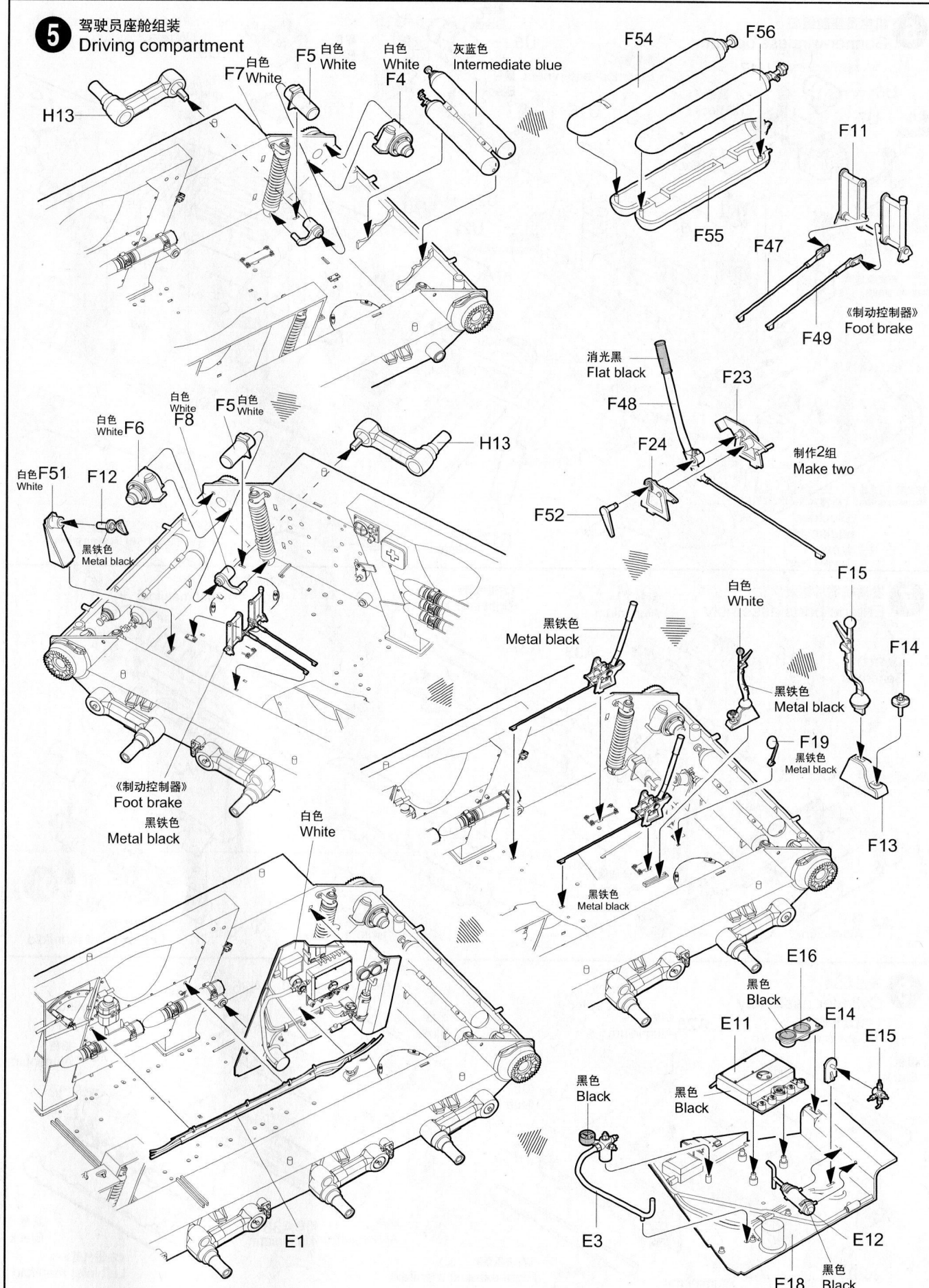
**3** 避震器支架安装  
Adjusting installation



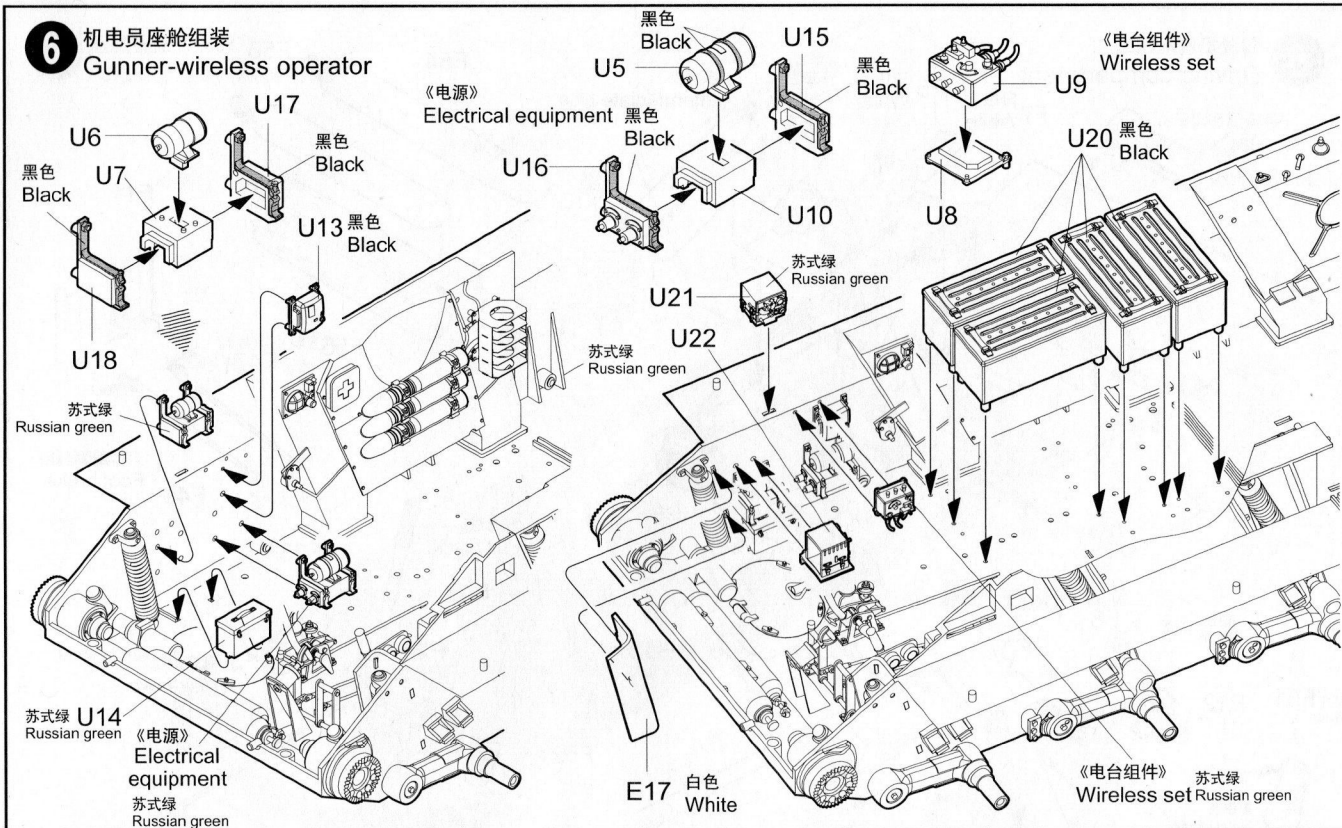
**4** 悬挂组装  
Crank



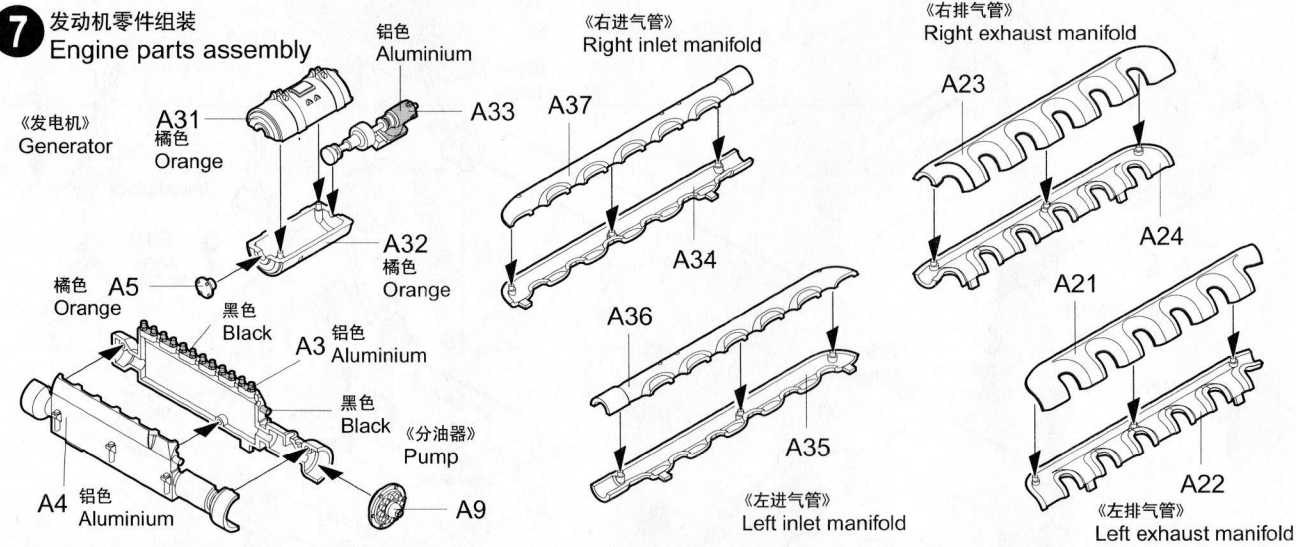
**5** 驾驶员座舱组装  
Driving compartment



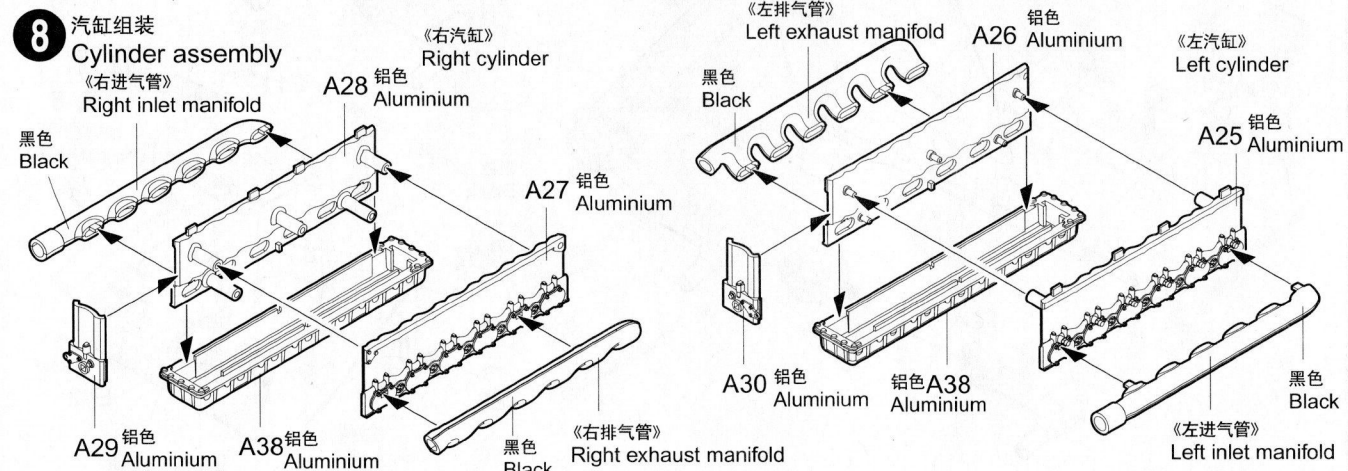
**6** 机电员座舱组装  
Gunner-wireless operator



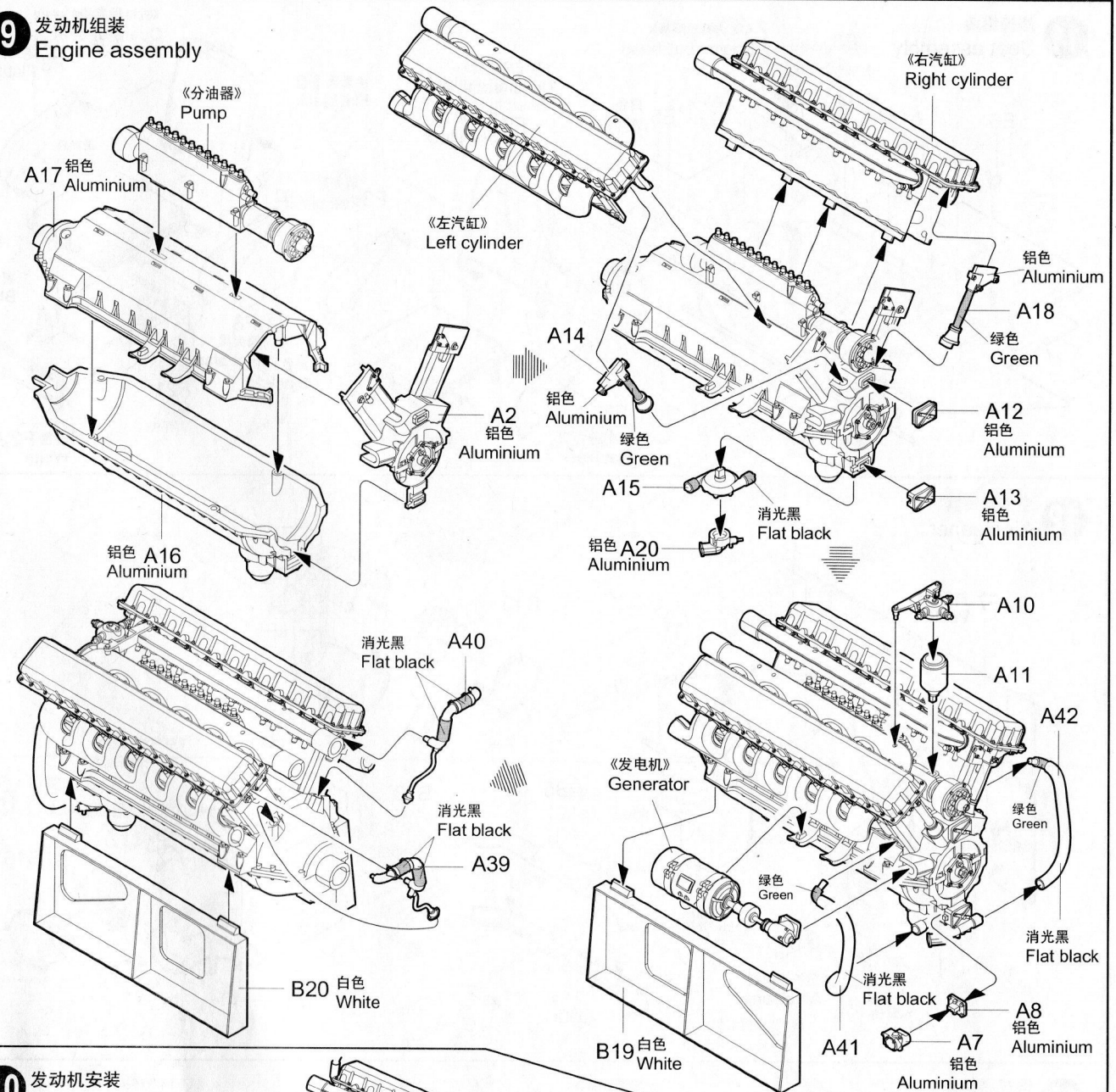
**7** 发动机零件组装  
Engine parts assembly



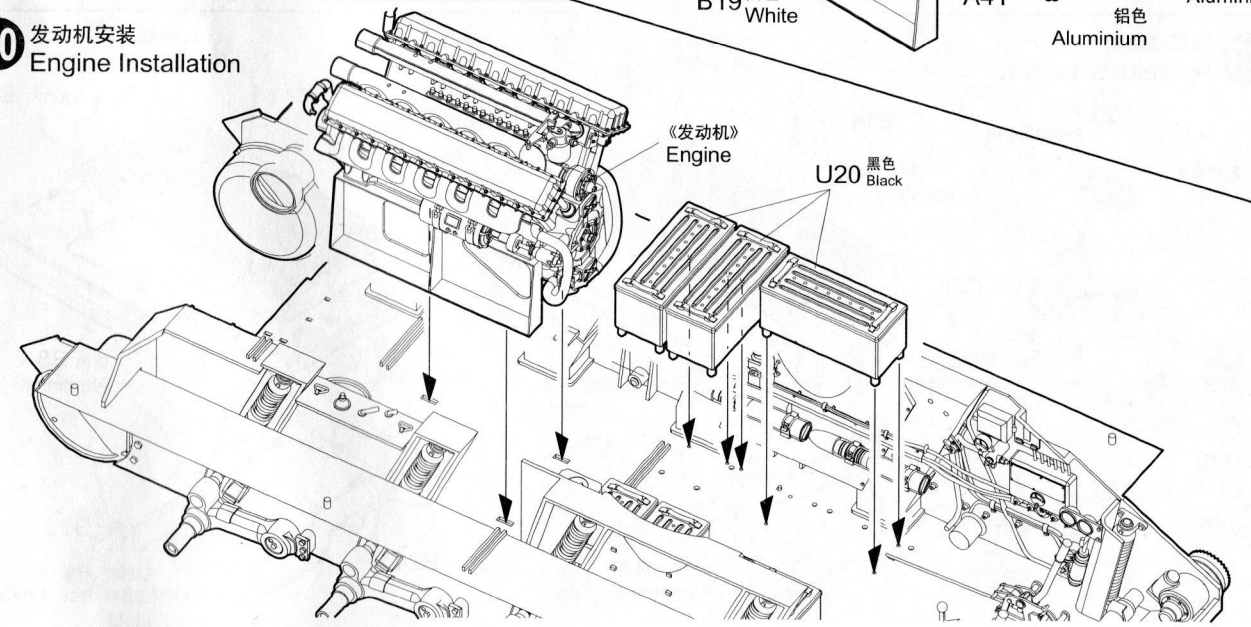
**8** 汽缸组装  
Cylinder assembly



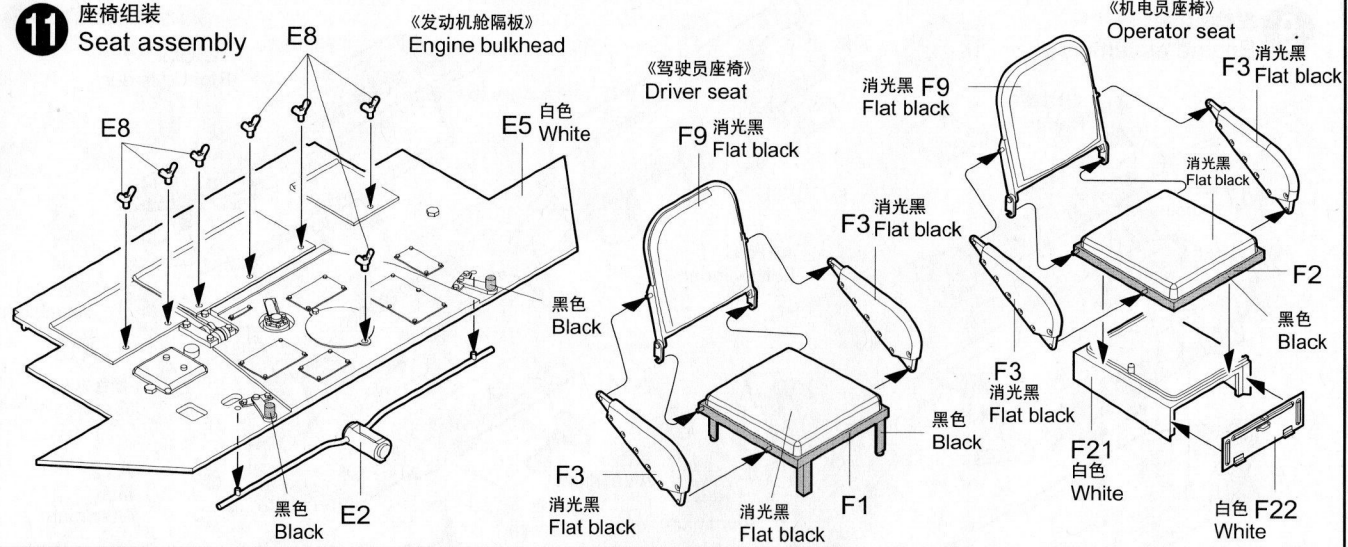
**9** 发动机组装  
Engine assembly



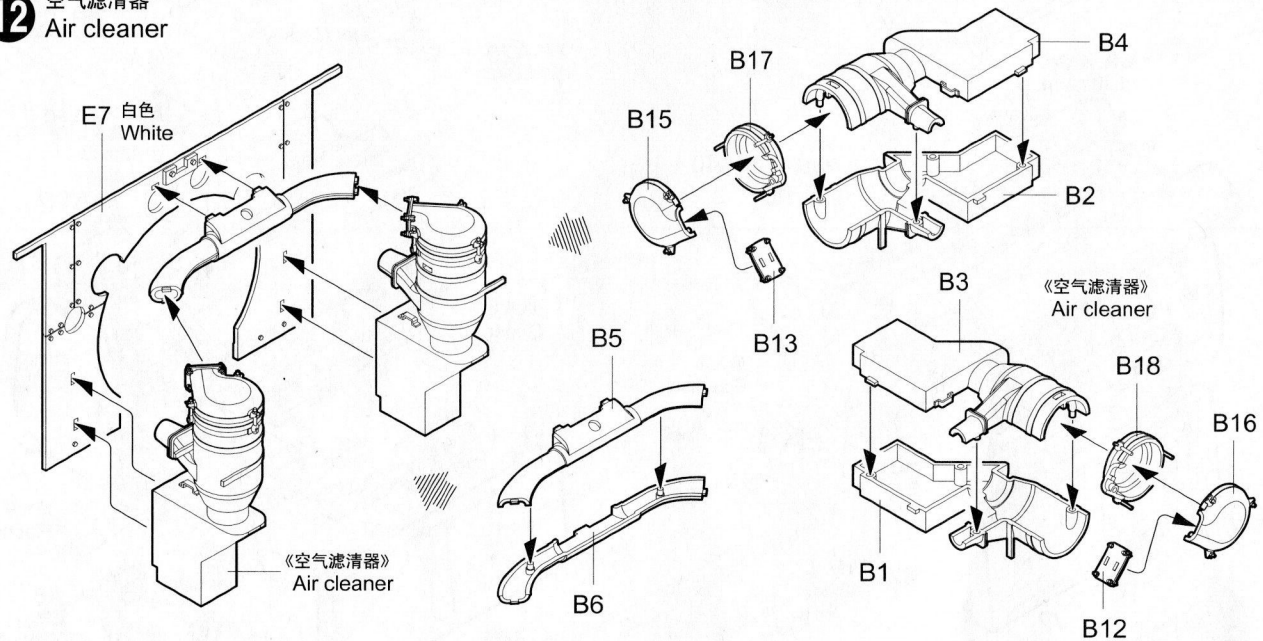
**10** 发动机安装  
Engine Installation



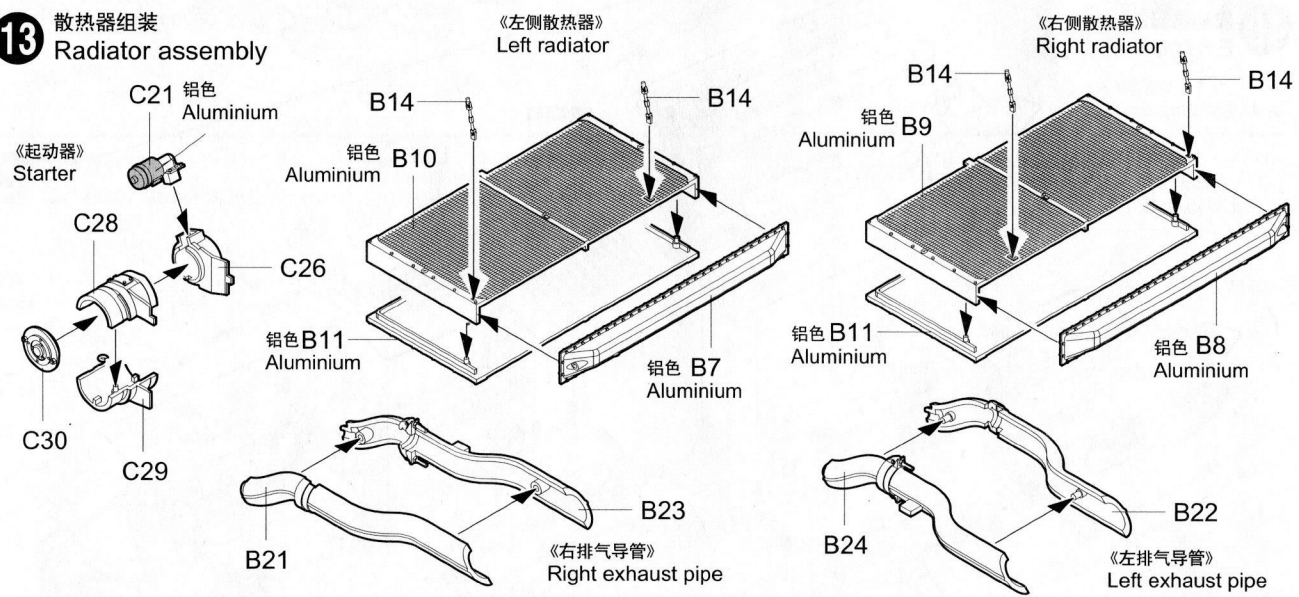
**11 座椅组装**  
Seat assembly



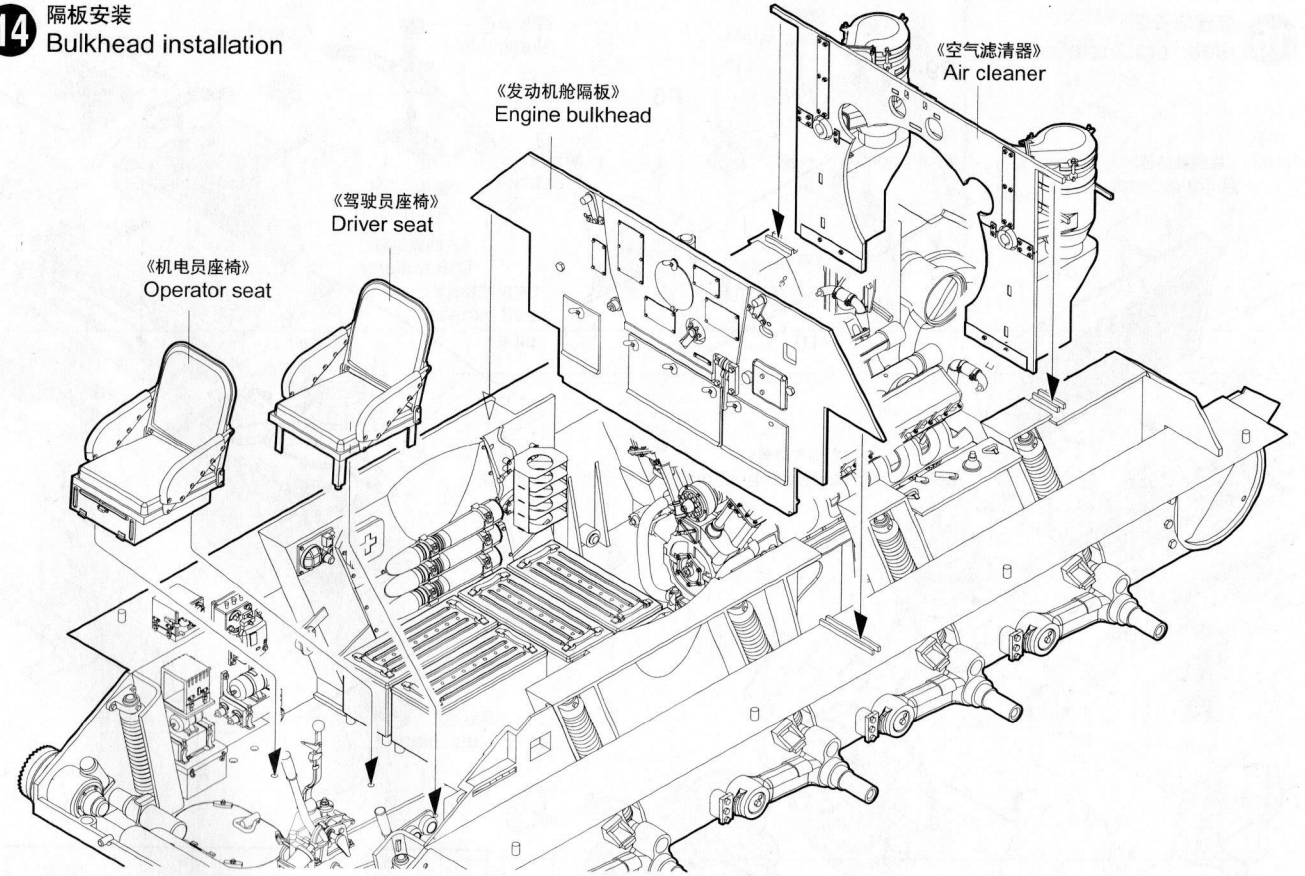
**12 空气滤清器**  
Air cleaner



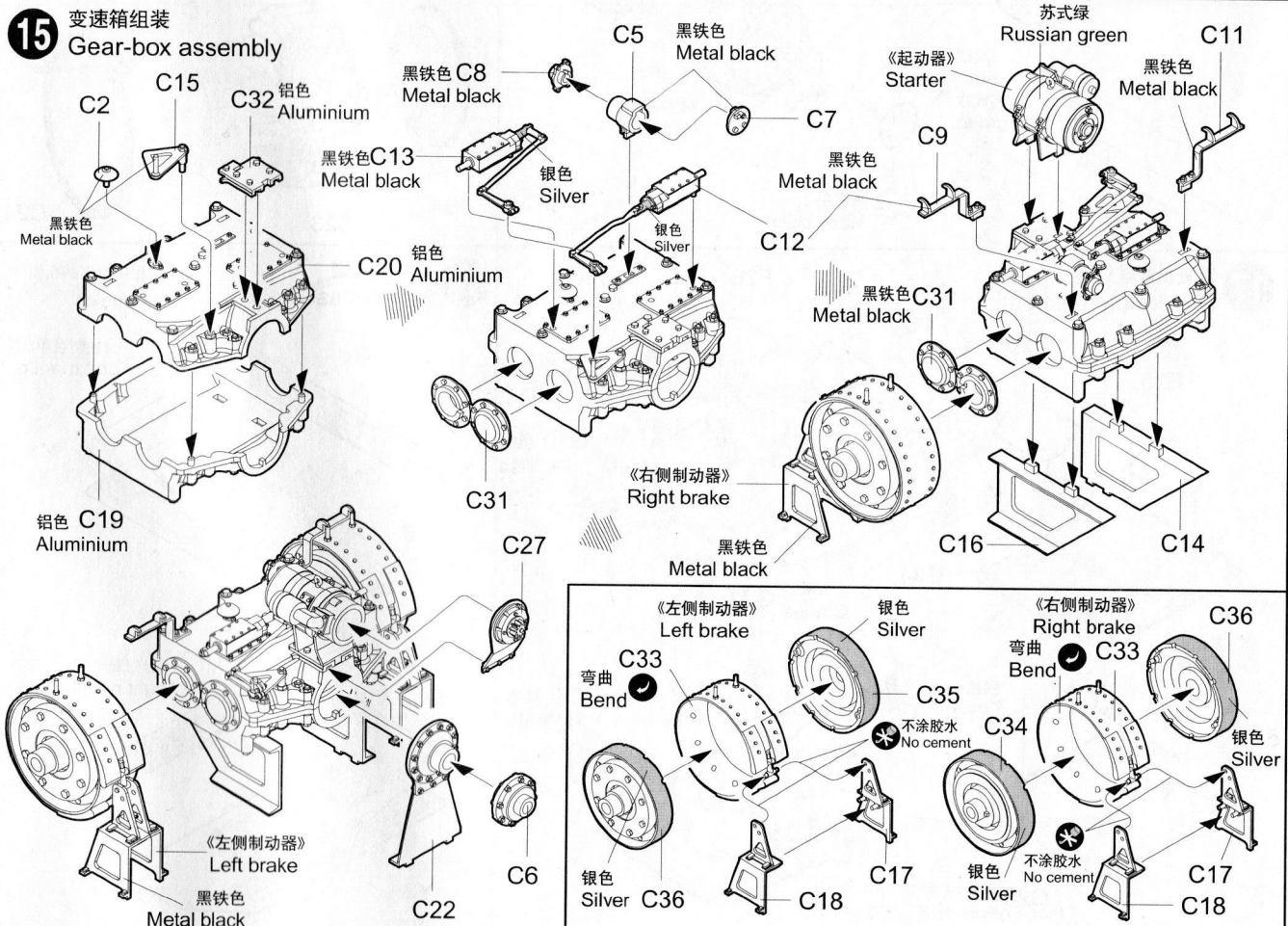
**13 散热器组装**  
Radiator assembly



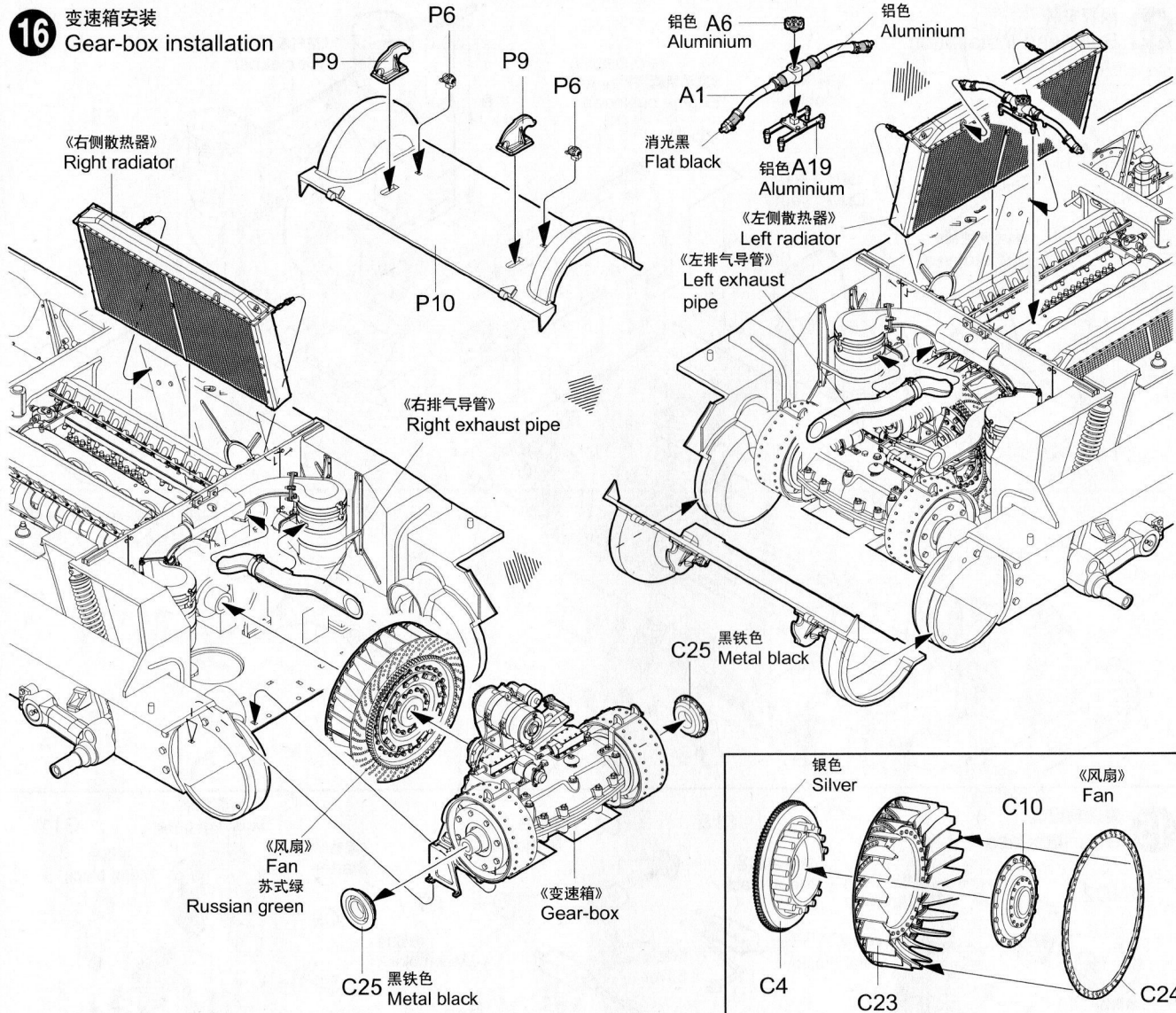
**14 隔板安装**  
Bulkhead installation



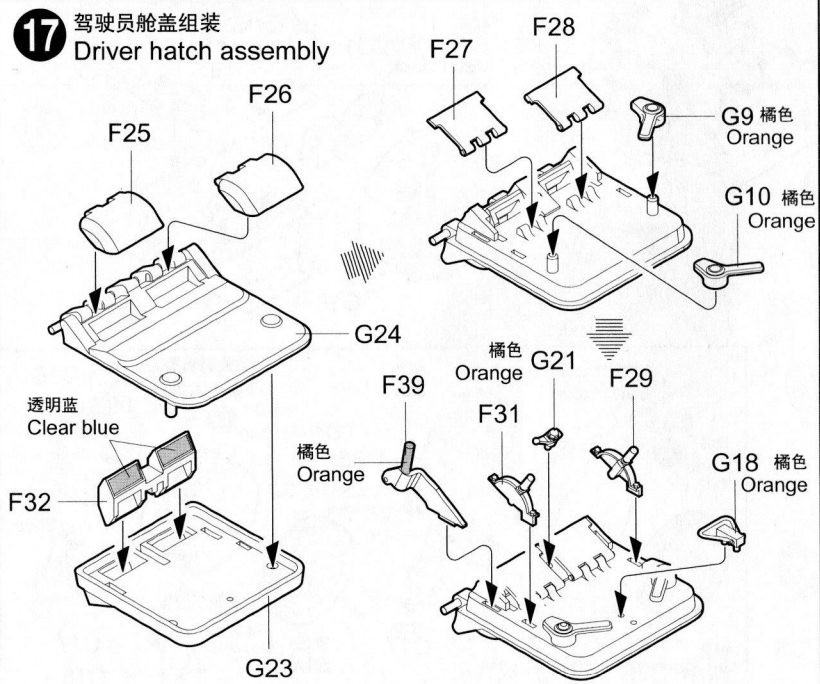
**15 变速箱组装**  
Gear-box assembly



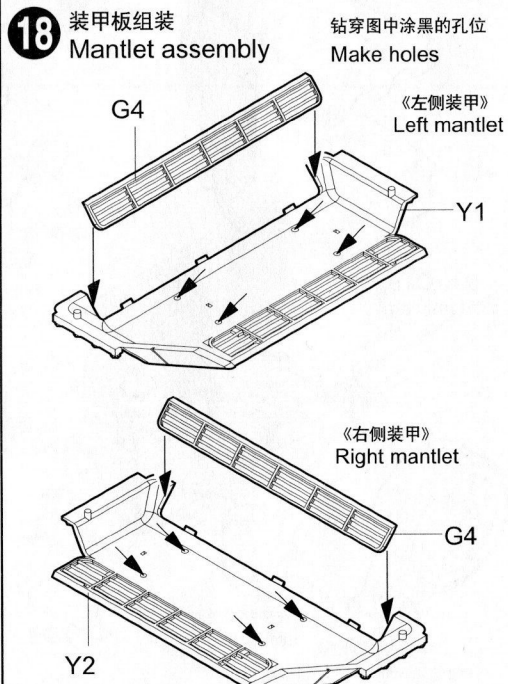
**16** 变速箱安装  
Gear-box installation



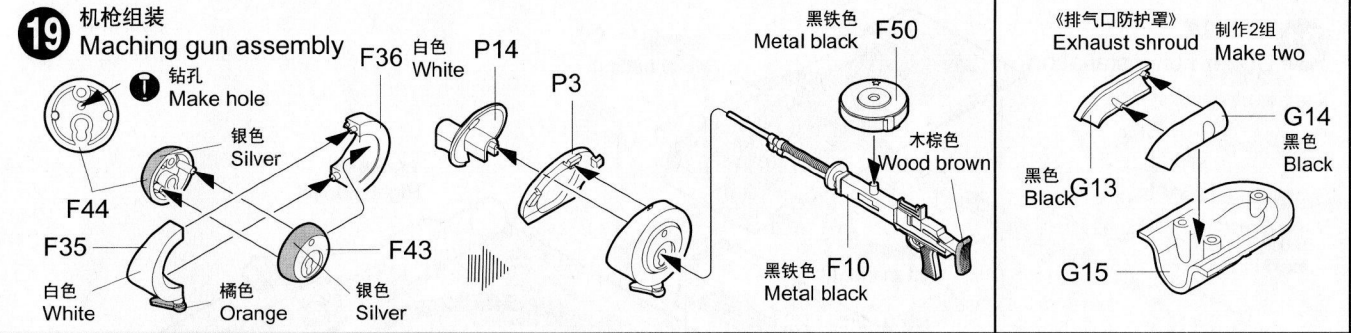
**17** 驾驶员舱盖组装  
Driver hatch assembly



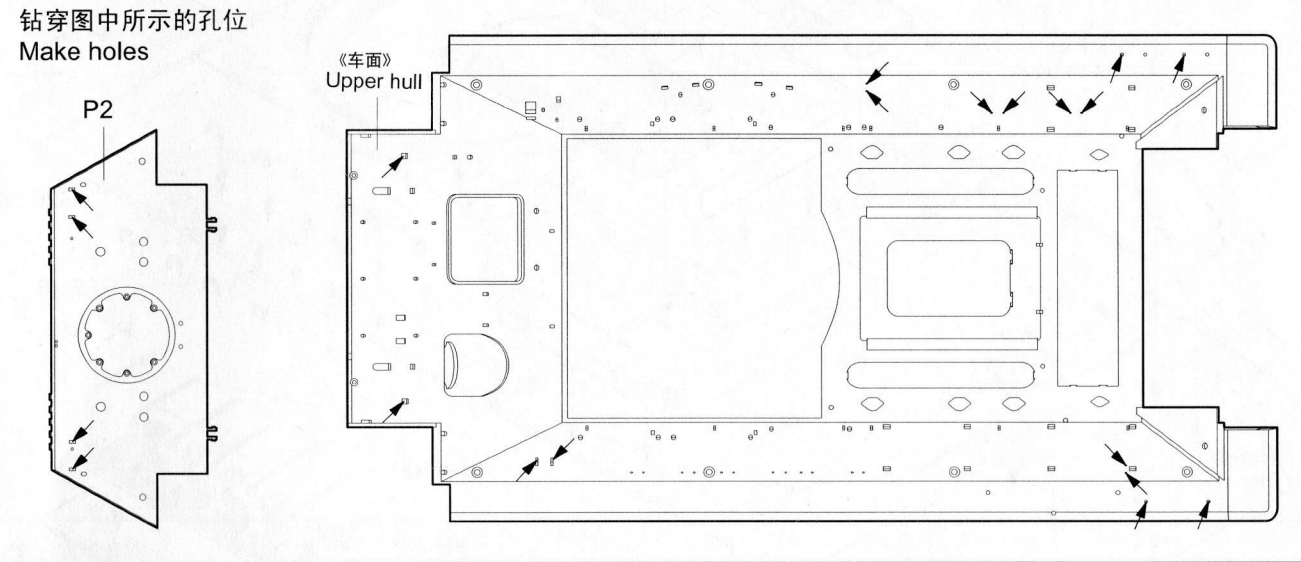
**18** 装甲板组装  
Mantlet assembly



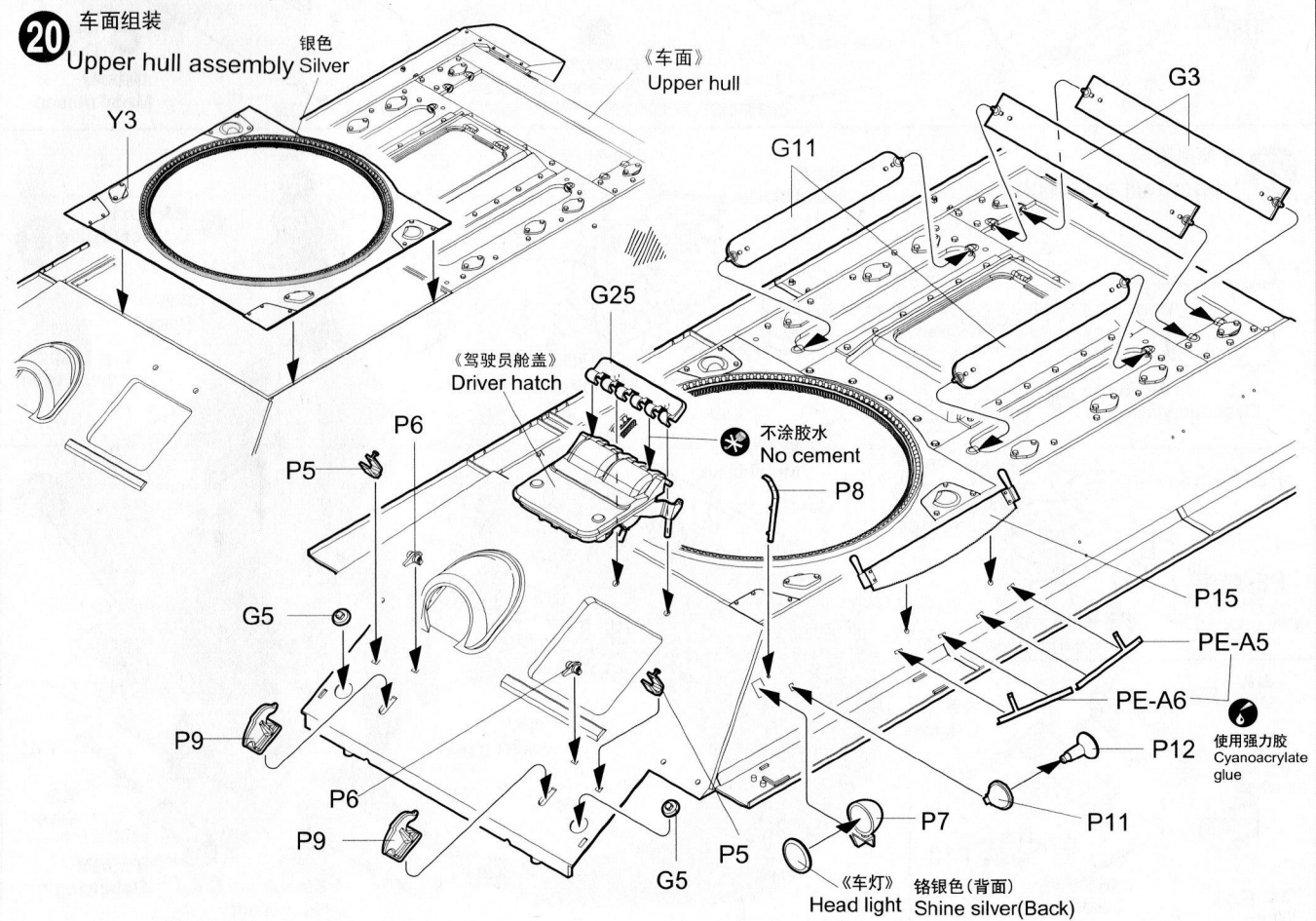
**19** 机枪组装  
Machine gun assembly



钻穿图中所示的孔位  
Make holes



**20** 车面组装  
Upper hull assembly











涂装同标贴指示  
Camouflage & Marking Guide

T-34/76 Model 1942 seen in action in the battle of Kursk. It has whitewash over olive Green 3b.

Testor	Humbrol	Gunze		
2129	155	136	苏式绿	Russian green
1745	22	62	白色	White

