

Sukhoi Su-27 Flanker B

1:32 Scale

苏霍伊苏-27"侧卫"B

READ BEFORE ASSEMBLY

- Study and understand these instructions thoroughly before beginning assembly. Make sure all parts are included by comparing them to those shown on pages 2 & 3 of these instructions.
- Remove parts from sprues as needed, and trim excess with a hobby knife. Be careful not to lose small parts.
- Remove photo-etch parts from sprue as needed using a hobby knife or photo etch cutter.
- Apply cement to photo etch parts as shown on instructions. Applying too much cement will restrict the operation of these

movable parts. Apply cement carefully! Removed photo etch parts can have sharp edges. Take care when handling these to avoid injury.

- Apply decals to necessary parts prior to assembly.
- Additional tools recommended(not included):Sprue cutter, Long nose pliers, hobby knife, file, tweezers, pin vise, scissors, cement, sandpaper, soft cloth, glue and paint.
- Keep all parts out of reach of children, as they pose a choking hazard. Discard all unnecessary bags and sprues when model is completed to avoid accidental injury.

装配之前仔细阅读

- 小心用模型锋刀锯平所有零件表面的注射浇口。
- 小心用刀片切下蚀刻片零件。不要遗失小零件。
- 用强力快干胶水粘合蚀刻片零件和金属轴。过量的快干胶水使用可能导致可动零件会粘住。小心涂胶。
- 取蚀刻片时应特别注意安全。防止利刃划伤手指。
- 某些零件表面需贴水上贴纸。请选择在装配的同时进行。
- 推荐模型工具(自备): 胶水、水口剪刀、长咀钳、刀片、锋刀、镊子钳、钻、剪刀、瞬间快干胶。
- 软布同砂纸同时也应该是必备工具。
- 请使用塑料胶水和油漆。模型内不含。
- 谨防小孩吸吮塑料零件, 或者将塑料袋套在头上。制作时应将套材远离小孩接触。

水贴纸的使用:

1. 从水贴纸上剪下印花;
2. 将印花放入温水中浸10秒, 然后放在干净布上。
3. 拿着印花纸板将印花移到模型上;
4. 手指蘸水将印花移到适当的位置;
5. 用软布轻压印花直至水干, 气泡消失。

DECAL APPLICATION

1. Cut off decal from sheet.
2. Dip the decal in tepid water 40° C for about 10 sec. and place on a clean cloth.
3. Hold the backing sheet edge and slide decal onto the model.
4. Move decal into position by wetting decal with finger.
5. Press decal gently down with a soft cloth until excess water and air bubbles are gone.



cyanoacrylate glue

使用强力胶



weight

配重



make hole

钻孔



cut / remove

切除



option

选择



no cement

不涂胶水



decal

贴纸



bend

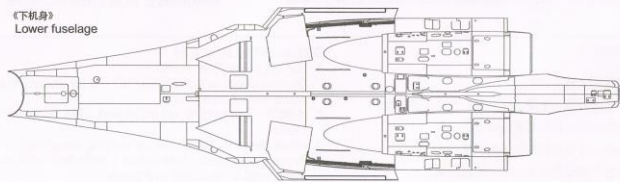
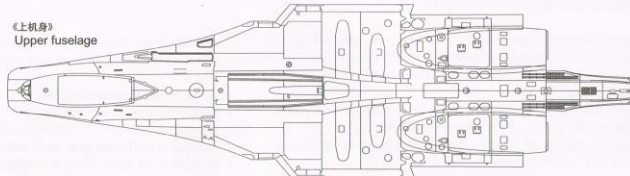
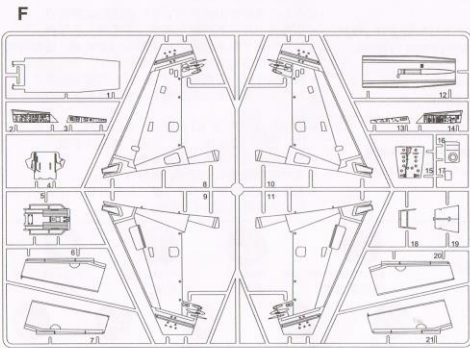
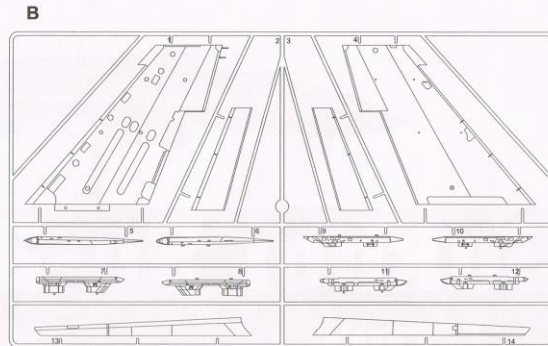
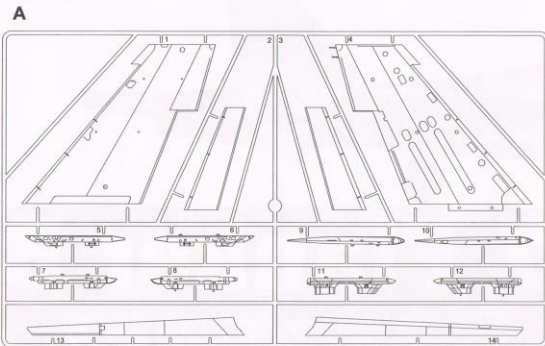
弯曲

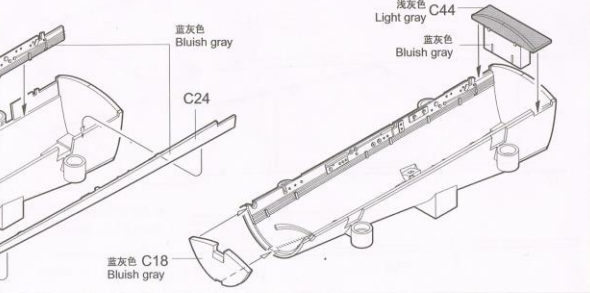
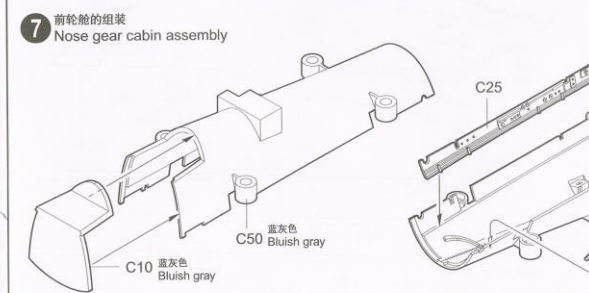
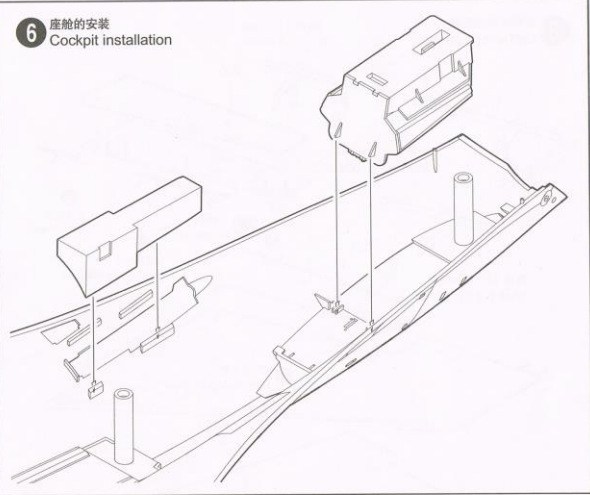
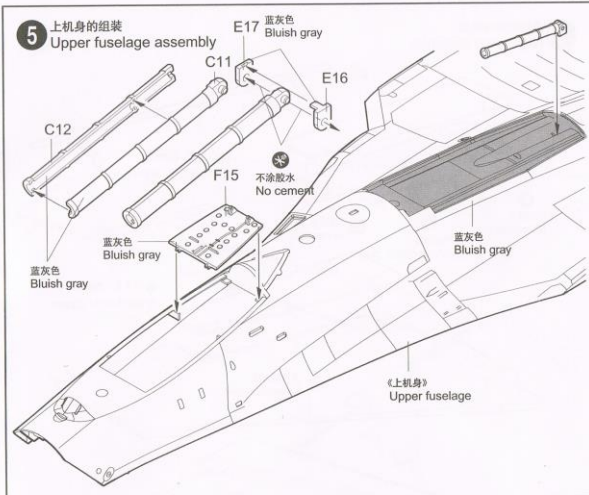


file / sand

锉平

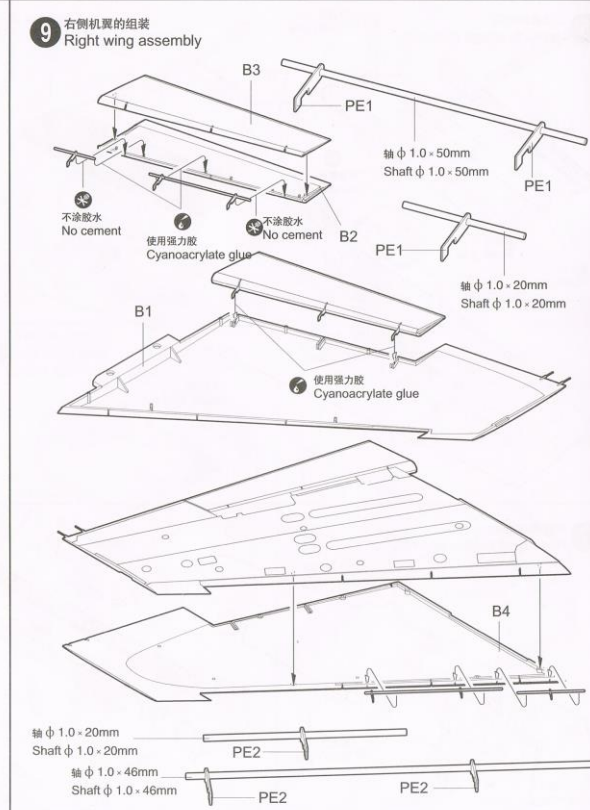
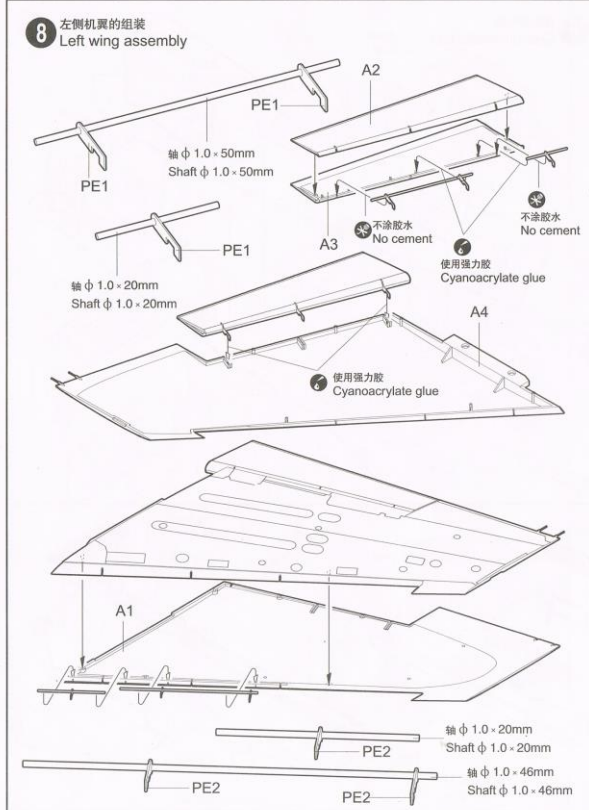
部品图 Parts





02224

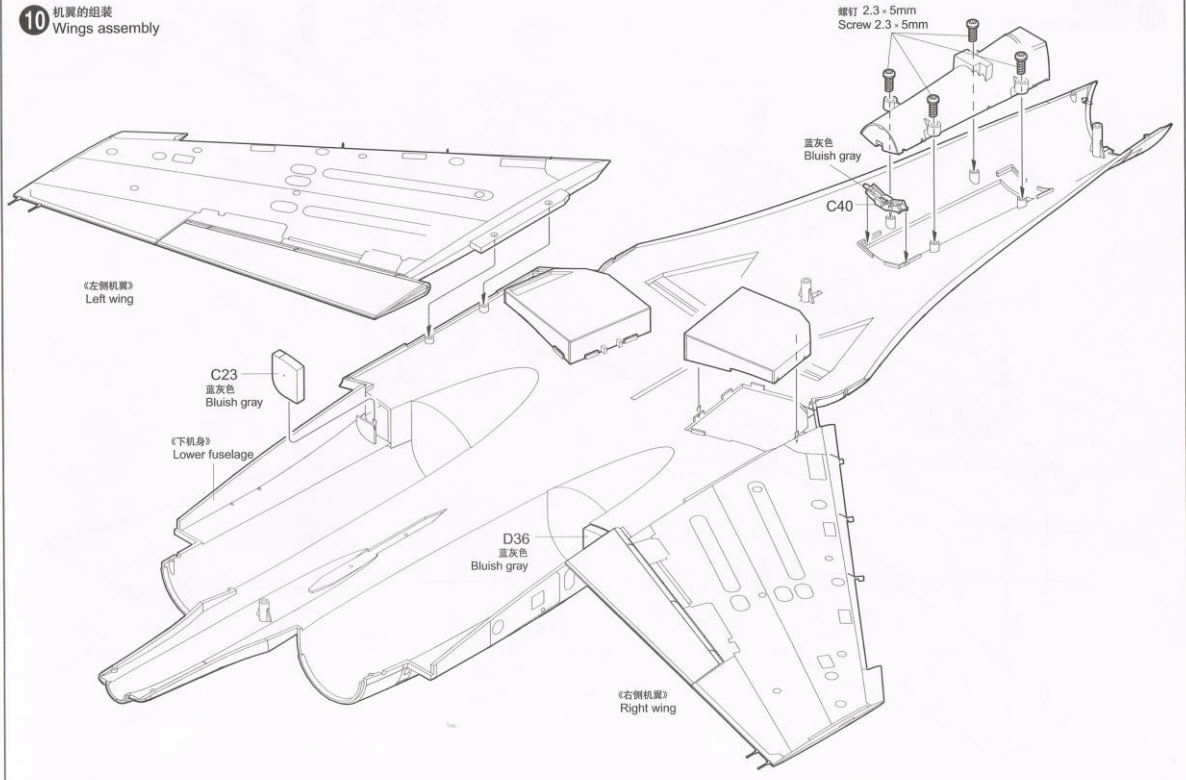
5



02224

6

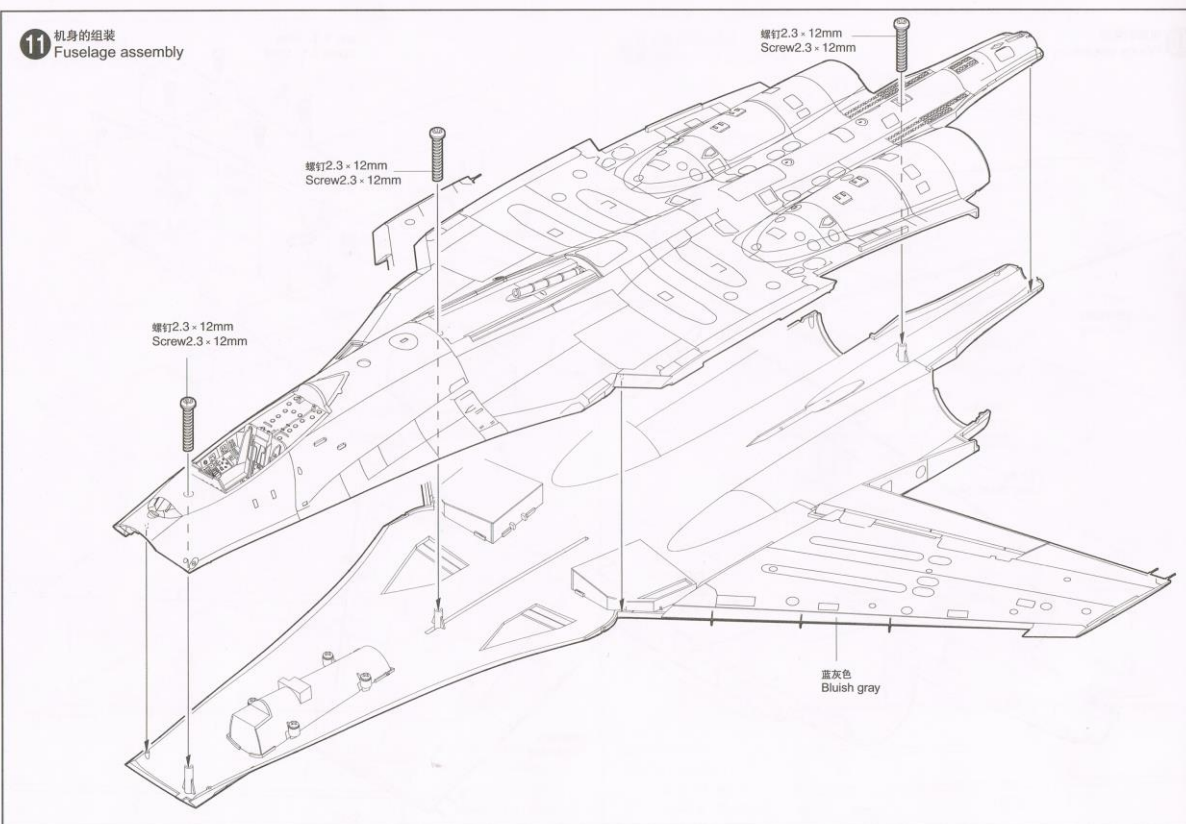
10 机翼的组装
Wings assembly



02224

7

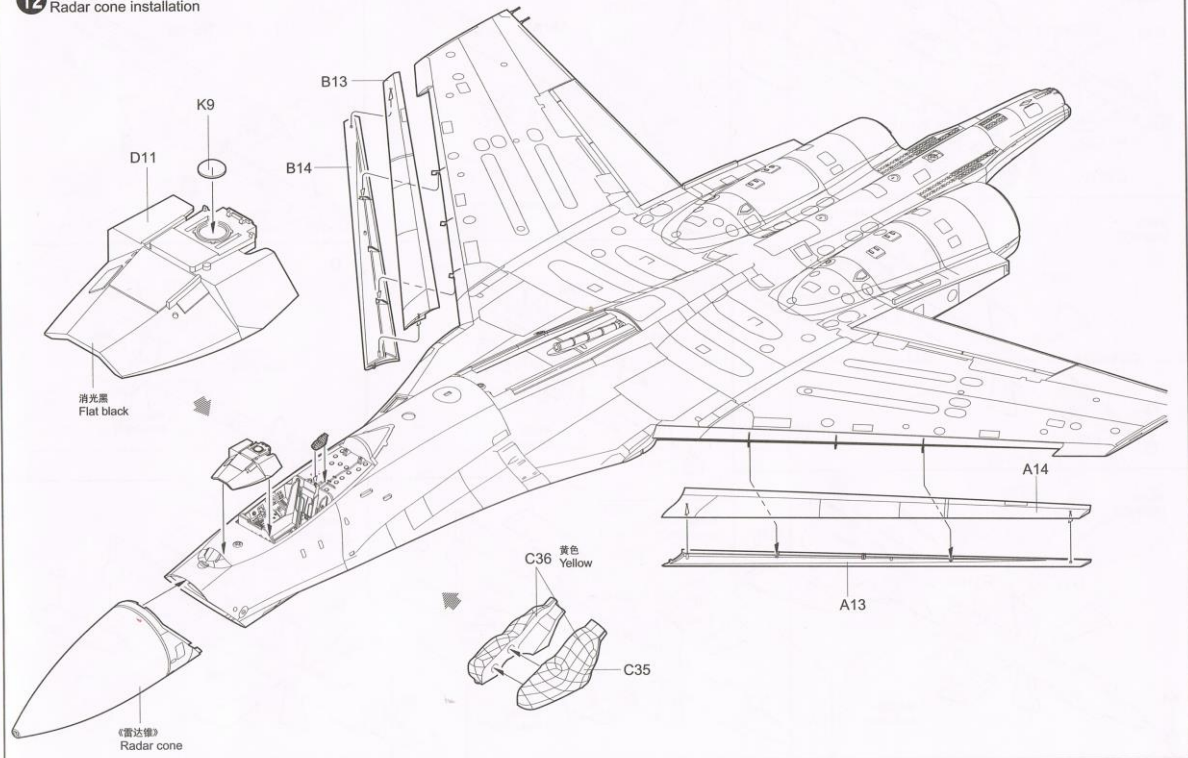
11 机身的组装
Fuselage assembly



02224

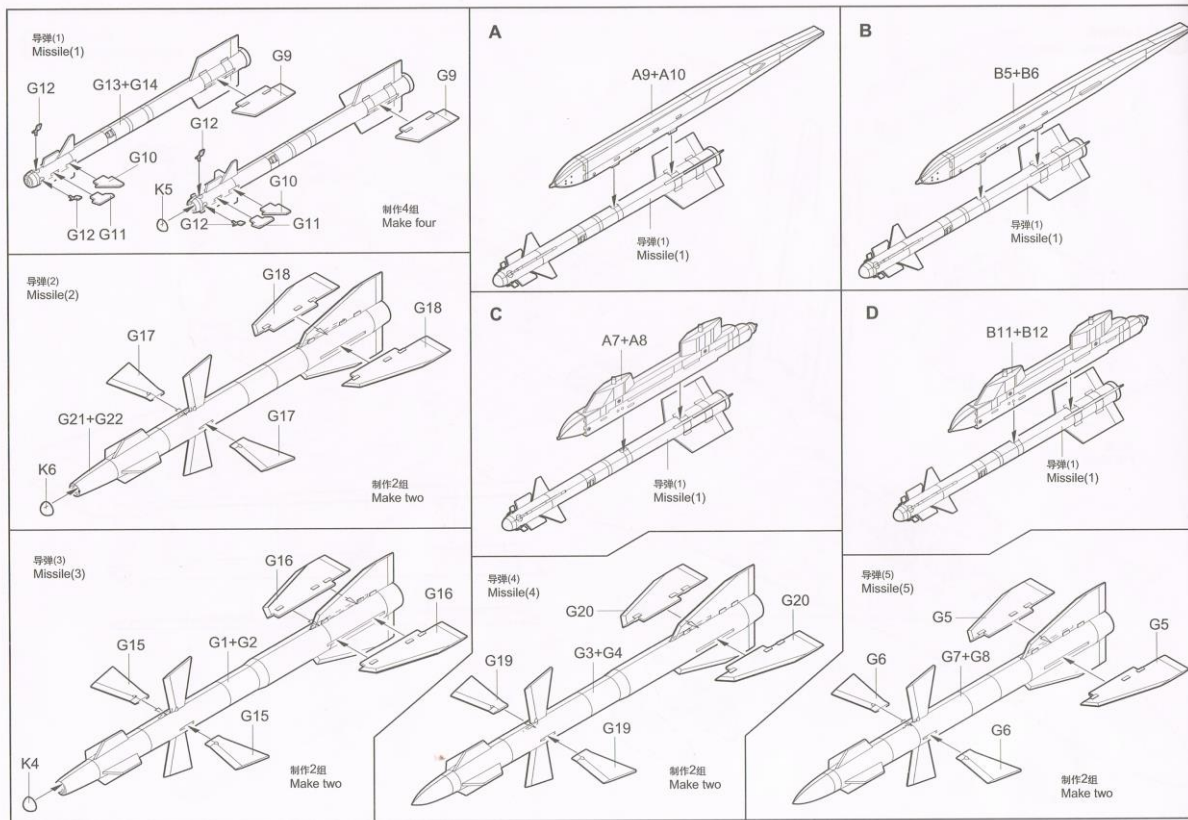
8

12 雷达锥的安装
Radar cone installation



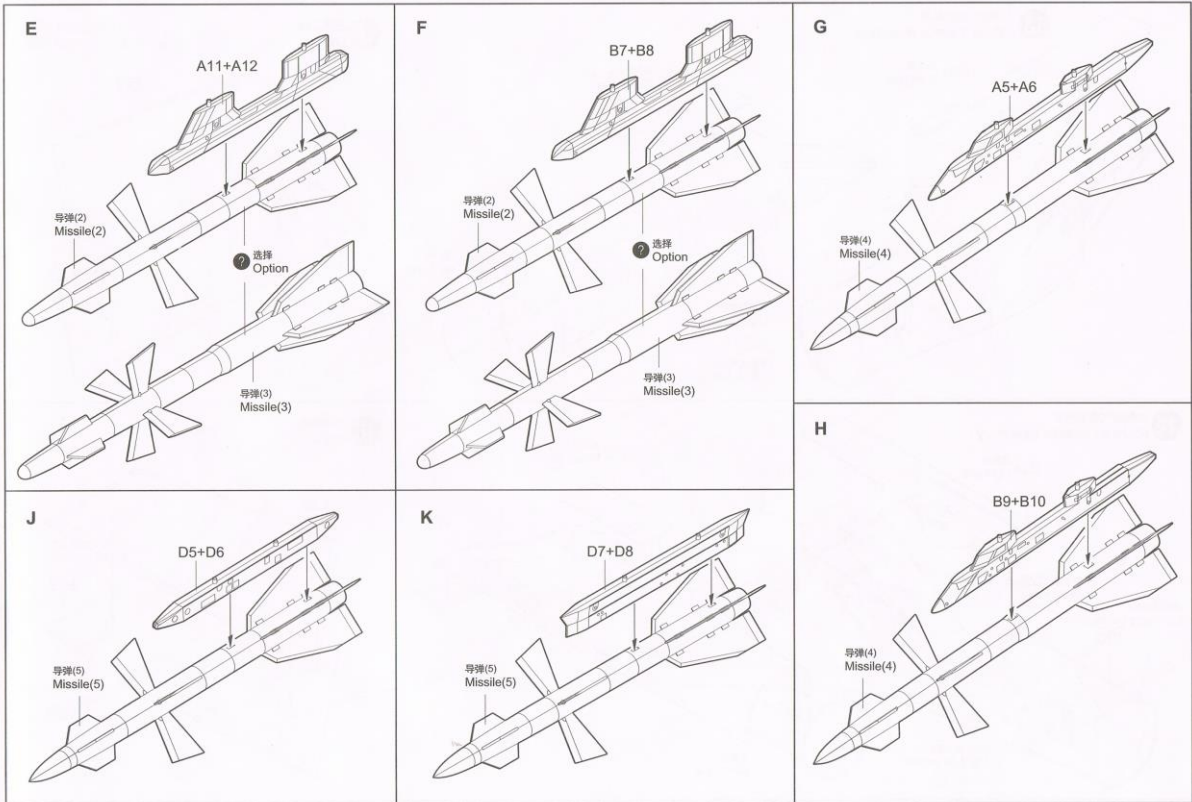
02224

9



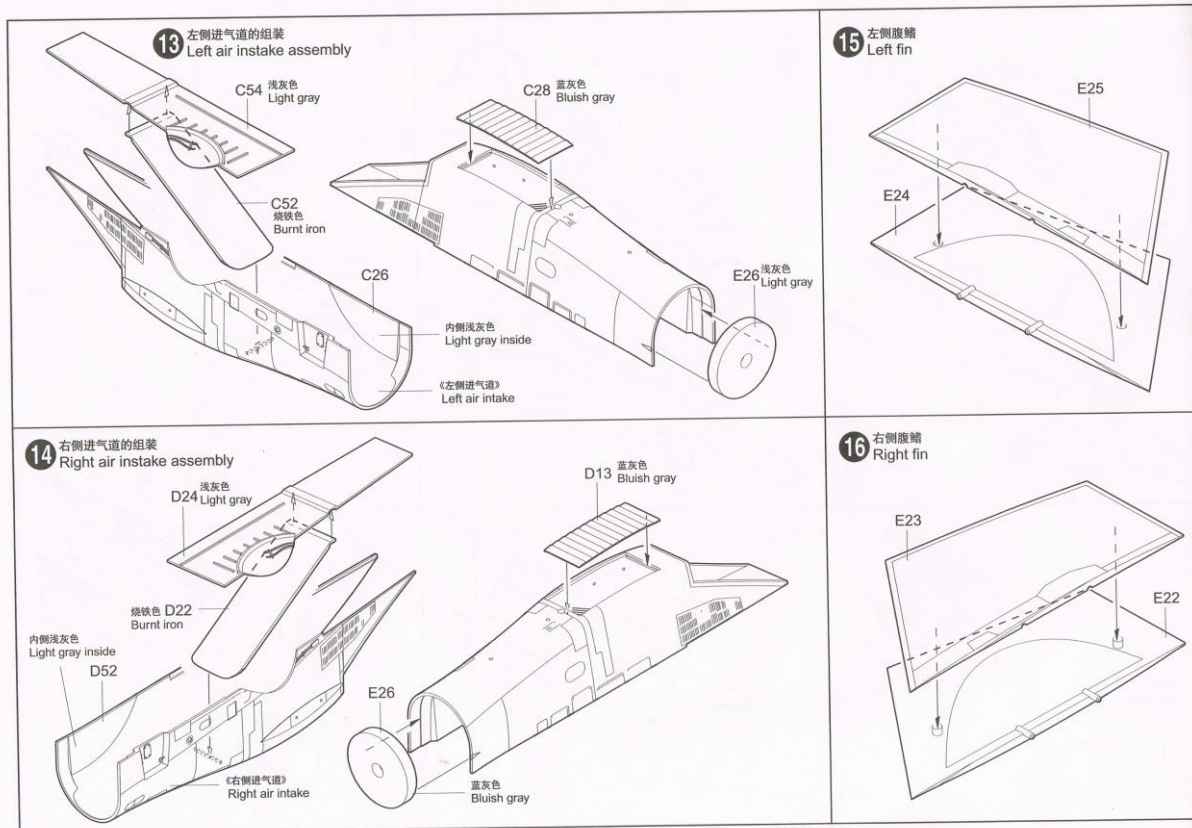
02224

10



02224

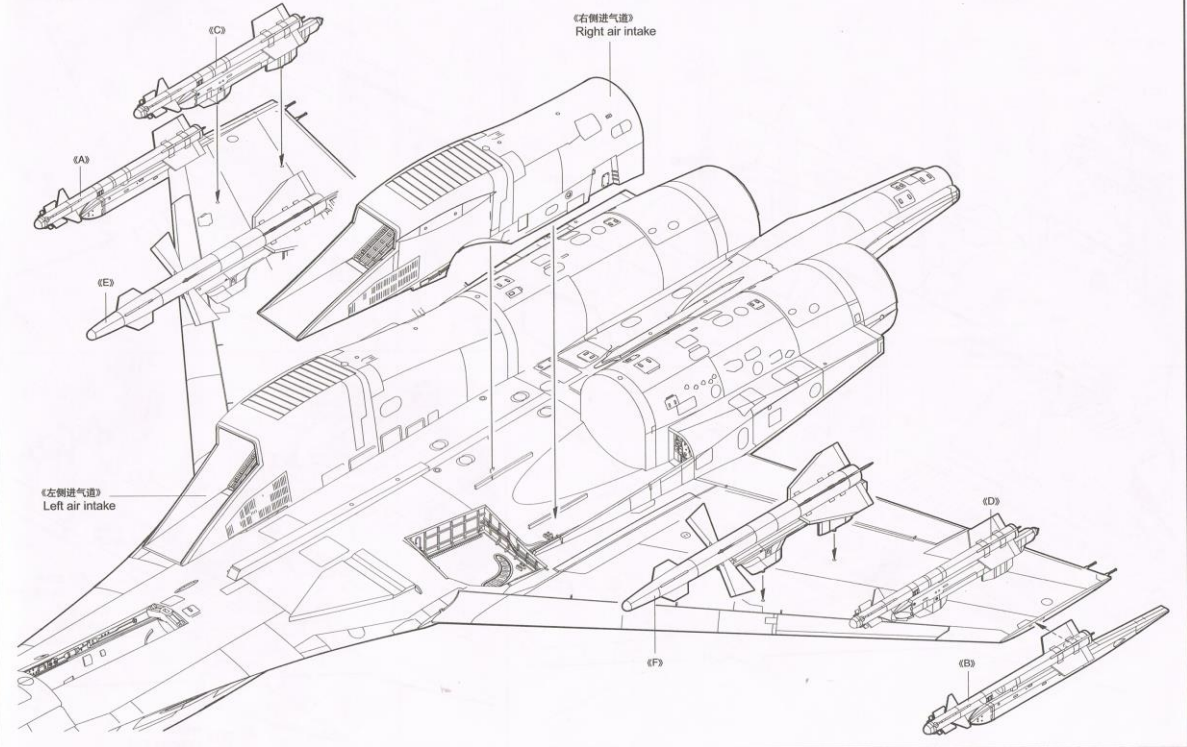
11



02224

12

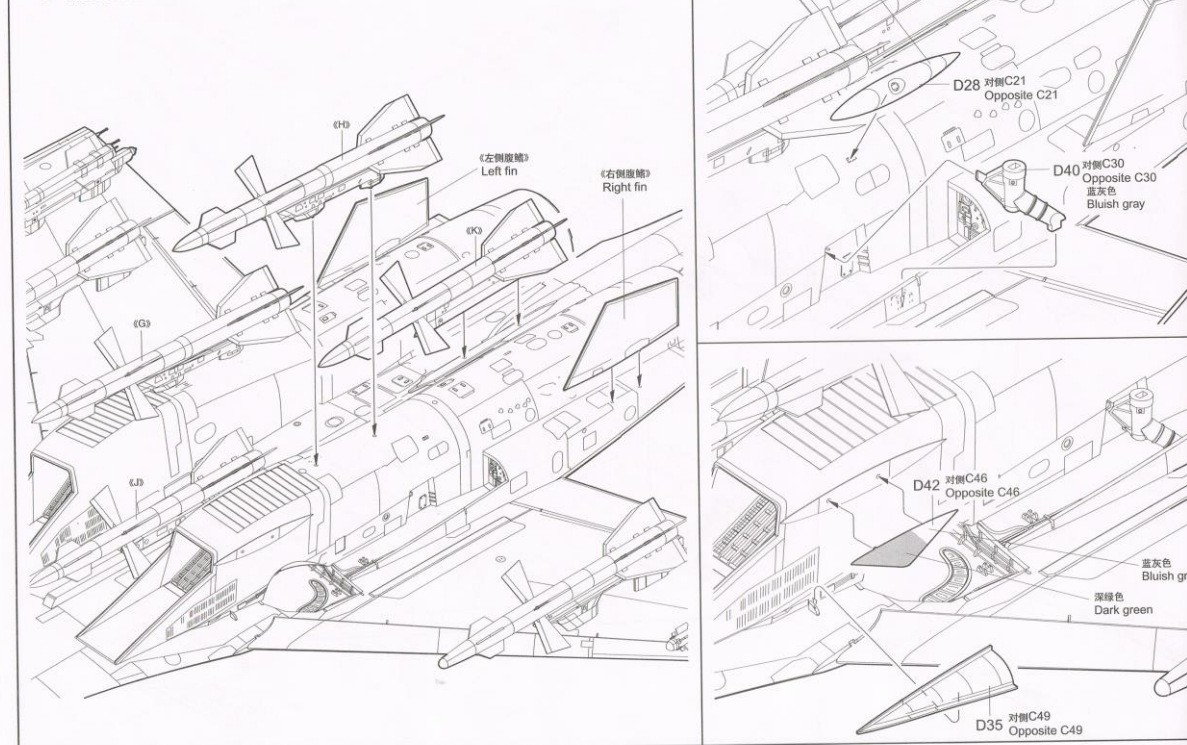
17 导弹的安装
Missile installation



02224

13

18 导弹的安装
Missile installation



02224

14

19 前轮的组装

Nose gear assembly

前轮胎 Nose tire

深绿色 Dark green

铬银色 Chrome silver

《弹簧》 Spring

胎黑色 Tire black

蓝灰色 Bluish gray

制作2组 Make two

浅灰色 Light gray

制作2组 Make two

主轮胎 Main tire

制作2组 Make two

C2, C20 可选择金属部件
C2, C20 can select metal part

20 主轮的组装

Main gear assembly

深绿色 Dark green

胎黑色 Tire black

主轮胎 Main tire

制作2组 Make two

21 左侧主起落架的组装

Left main undercarriage assembly

蓝灰色 Bluish gray

铬银色 Chrome silver

《弹簧》 Spring

蓝灰色 Bluish gray

C3, C4, C13, C15 可选择金属部件
C3, C4, C13, C15 can select metal part

22 右侧主起落架的组装

Right main undercarriage assembly

蓝灰色 Bluish gray

铬银色 Chrome silver

《弹簧》 Spring

蓝灰色 Bluish gray

C3, C4, C13, C15 可选择金属部件
C3, C4, C13, C15 can select metal part

23 机腹的安装

Lower fuselage

选择 Option

选择 Option

02224

15

24 起落架的安装

Undercarriage installation

《左侧主起落架》
Left main undercarriage

《右侧主起落架》
Right main undercarriage

蓝灰色 Bluish gray

浅灰色 Light gray

D49 对侧 C37
Opposite C37

D25 对侧 C43
Opposite C43

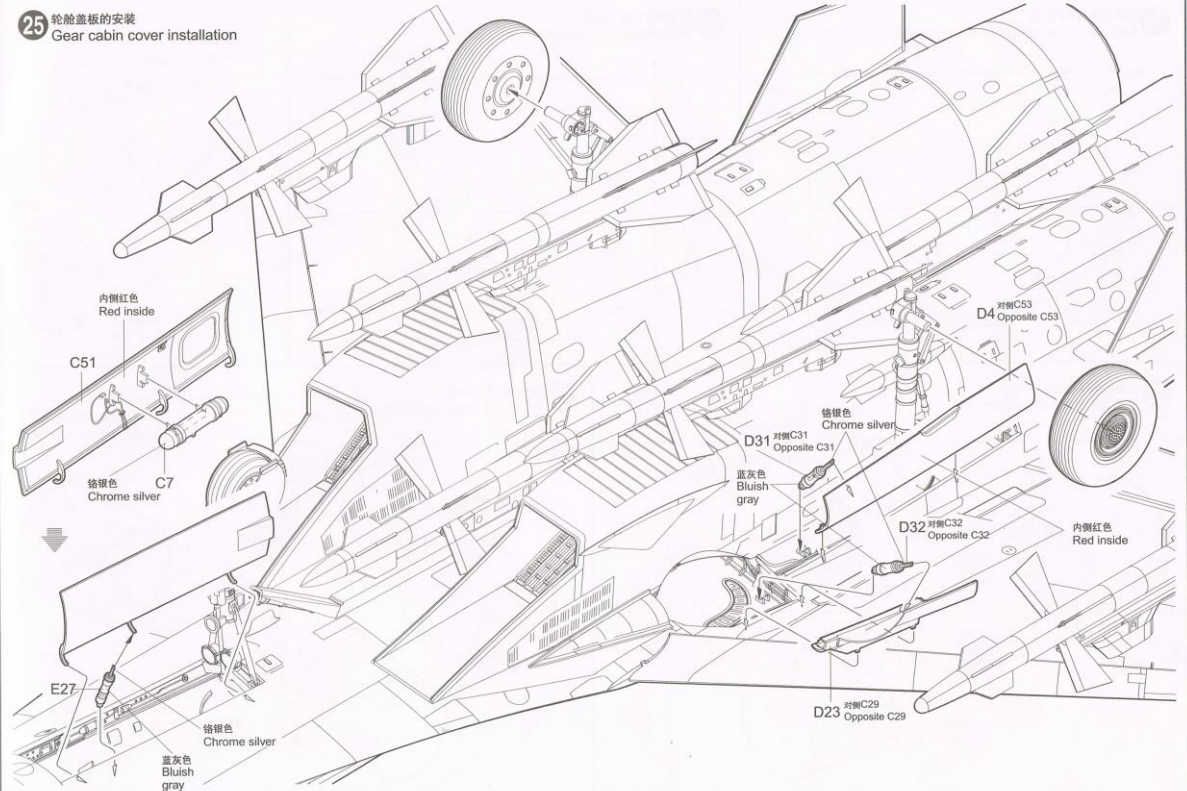
E59

E51

02224

16

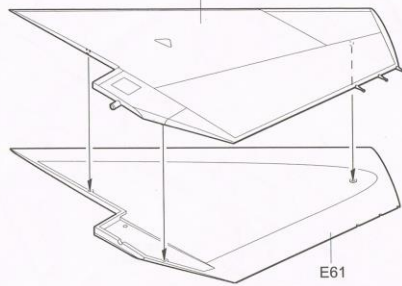
25 舱盖板的安装
Gear cabin cover installation



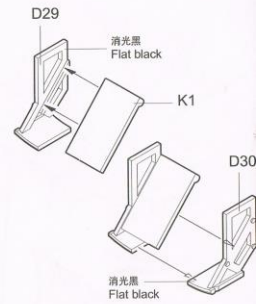
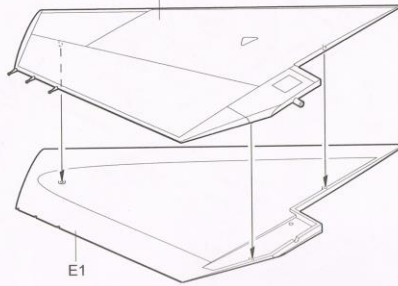
02224

17

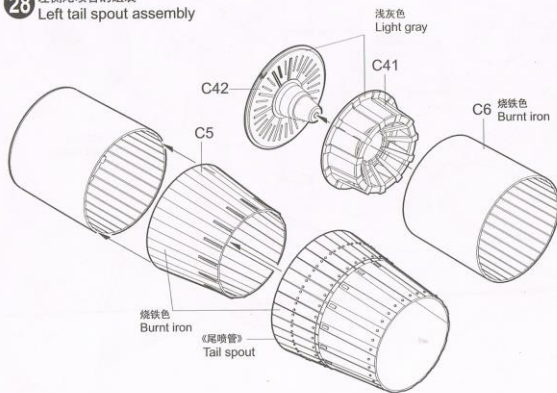
26 左侧水平尾翼的组装
Left horizontal stabilizer assembly



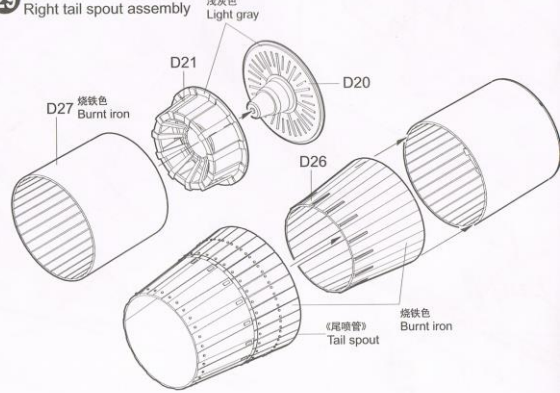
27 右侧水平尾翼的组装
Right horizontal stabilizer assembly



28 左侧尾喷管的组装
Left tail spout assembly



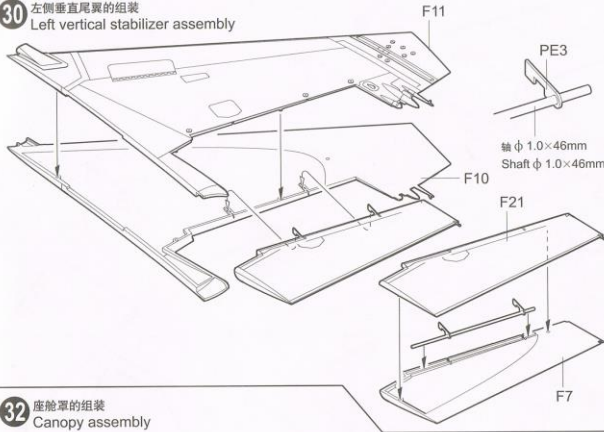
29 右侧尾喷管的组装
Right tail spout assembly



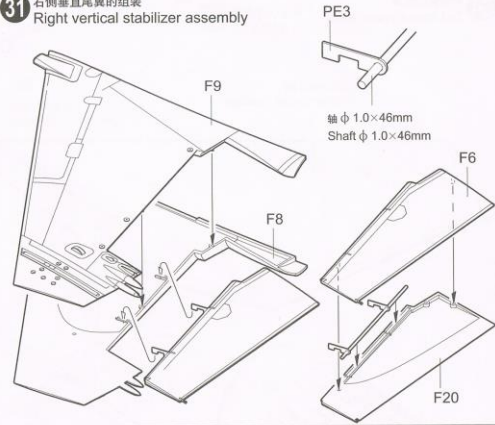
02224

18

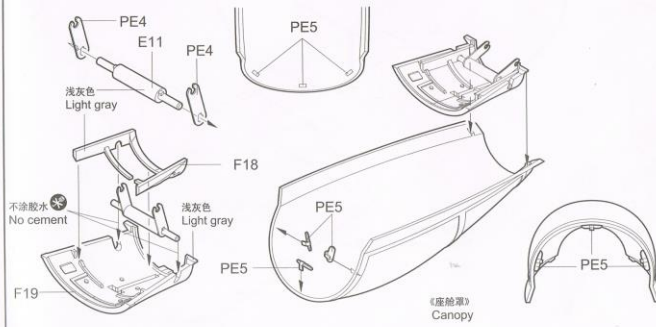
30 左侧垂直尾翼的组装
Left vertical stabilizer assembly



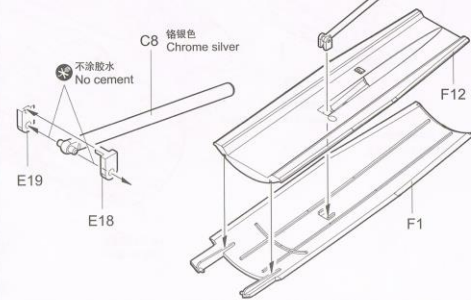
31 右侧垂直尾翼的组装
Right vertical stabilizer assembly



32 座舱罩的组装
Canopy assembly



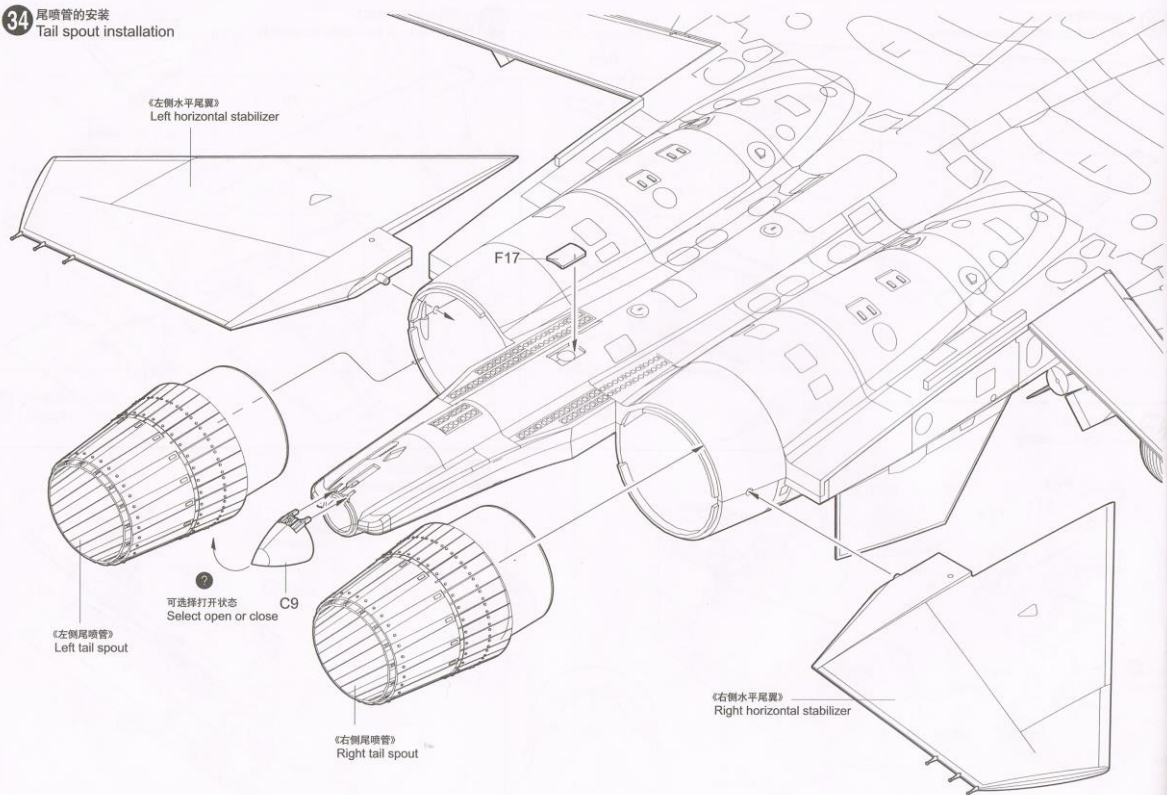
33 减速板的组装
Air brake assembly



02224

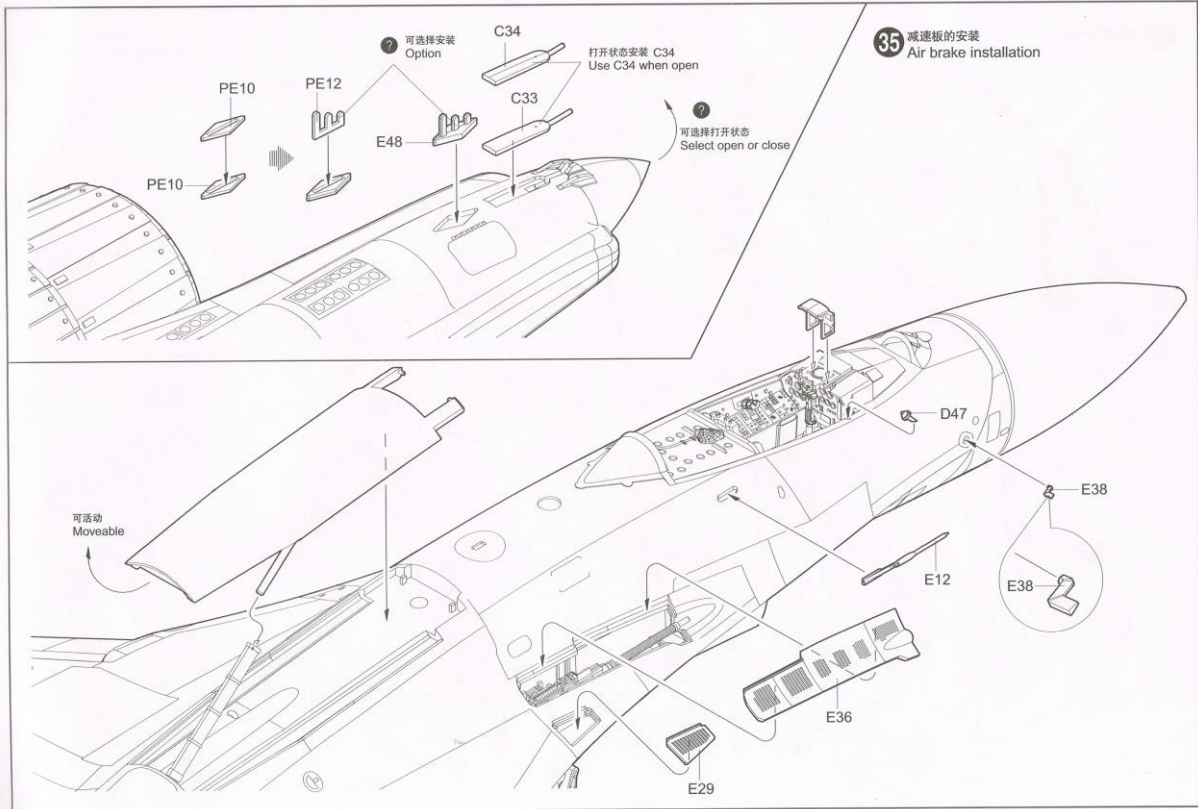
19

34 尾喷管的安装
Tail spout installation



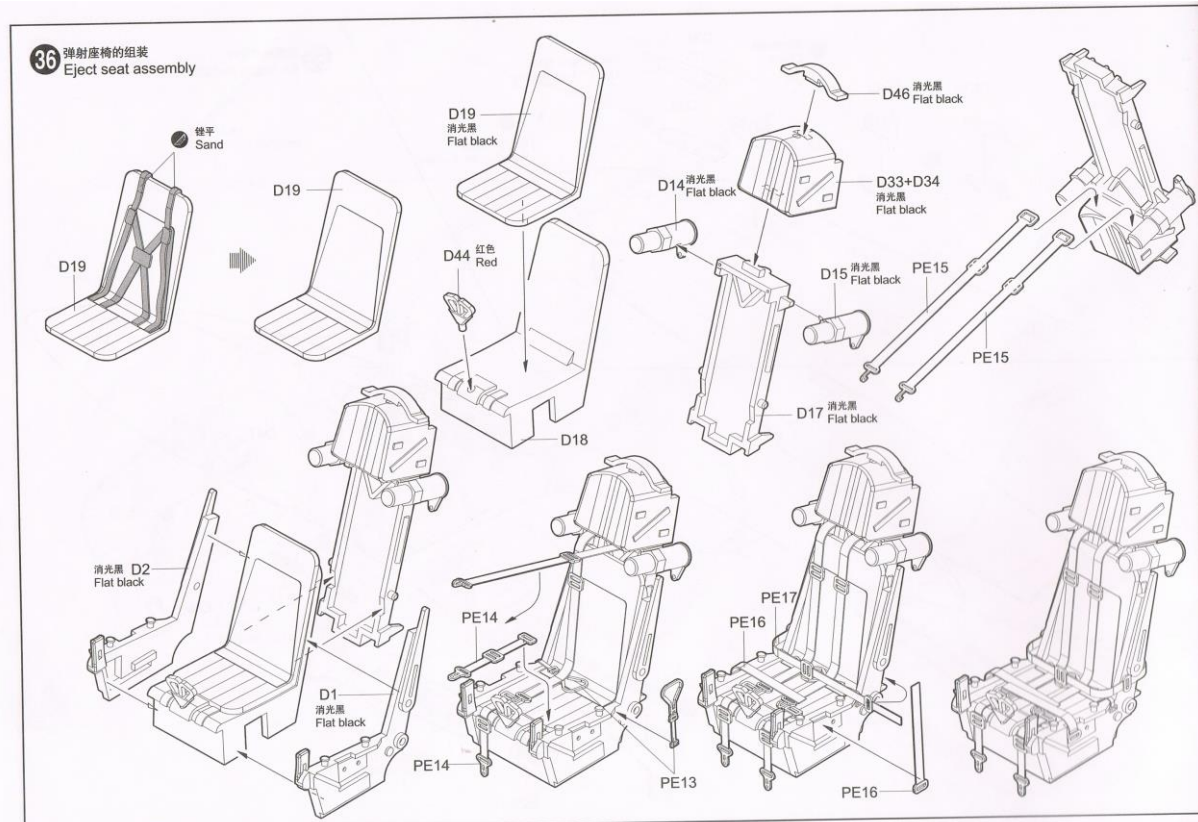
02224

20



02224

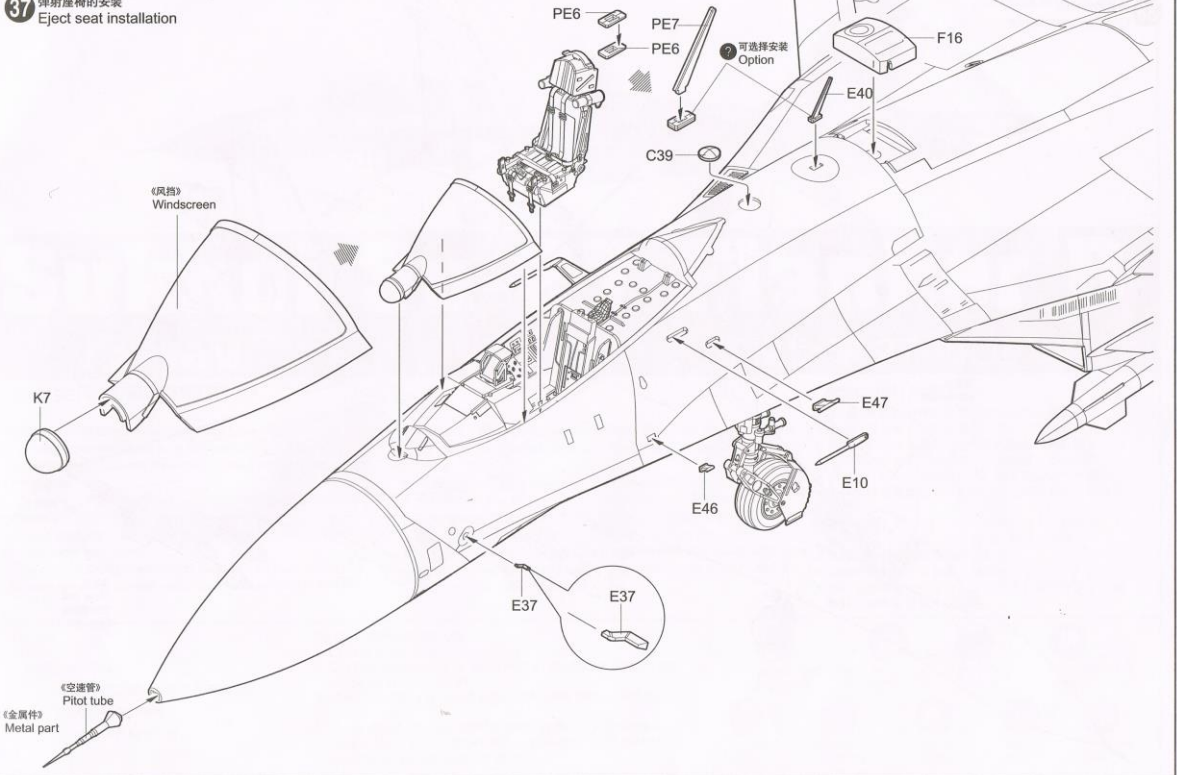
21



02224

22

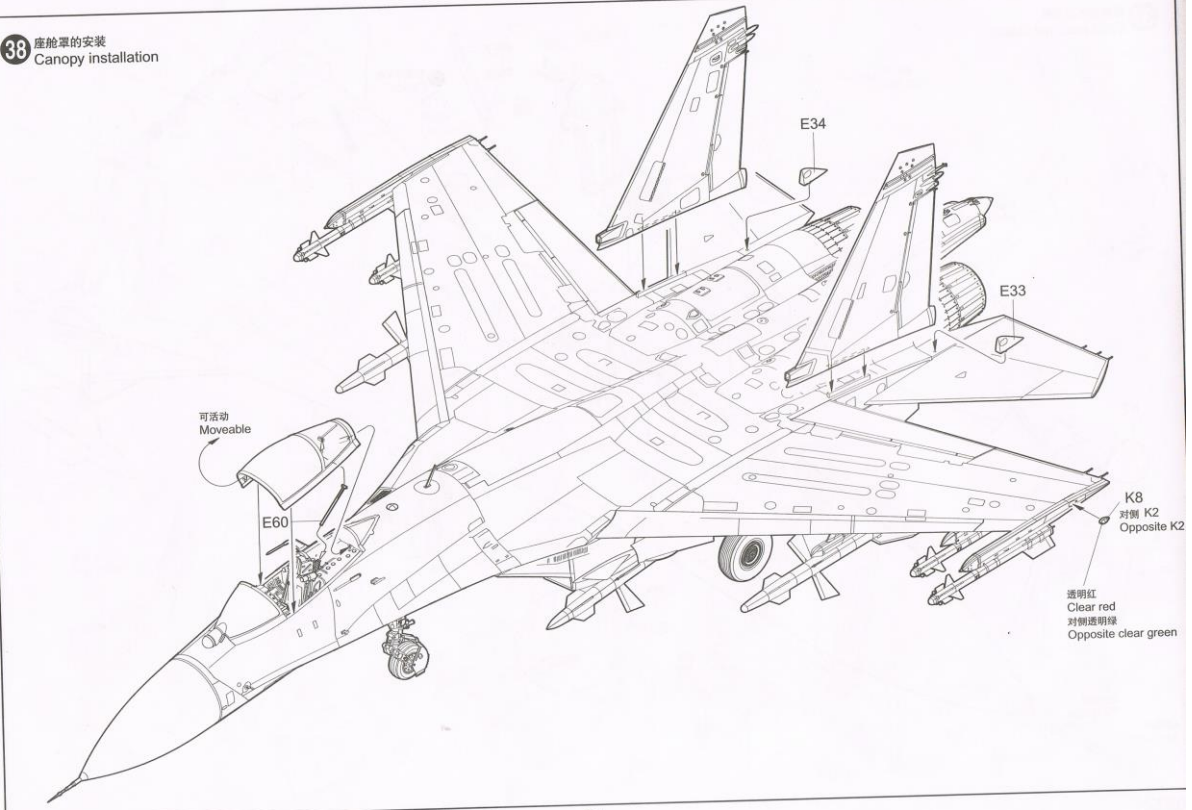
37 弹射座椅的安装
Eject seat installation



02224

23

38 座舱罩的安装
Canopy installation



02224

24