

U.S. CVN-68 Nimitz aircraft carrier 1975

1:350 Scale

美国CVN-68尼米兹航空母舰1975年型

READ BEFORE ASSEMBLY

- Study and understand these instructions thoroughly before beginning assembly. Make sure all parts are included by comparing them to those shown on pages 2 & 5 of these instructions.
- Remove parts from sprues as needed, and trim excess with a hobby knife. Be careful not to lose small parts.
- Remove photo-etch parts from sprue as needed using a hobby knife or photo etch cutter.
- Apply cement to photo etch parts as shown on instructions.

movable parts. Apply cement carefully! Removed photo etch parts can have sharp edges. Take care when handling these to avoid injury.

- Apply decals to necessary parts prior to assembly.
- Additional tools recommended(not included):Sprue cutter, Long nose pliers, hobby knife, file, tweezers, pin vise, scissors, cement, sandpaper, soft cloth, glue and paint.
- Keep all parts out of reach of children, as they pose a choking hazard. Discard all unnecessary bags and sprues when model is completed to avoid accidental injury.

装配之前仔细阅读

- 小心用模型锉刀锉平所有零件表面的注射浇口。
- 小心用刀片切下蚀刻片零件，不要遗失小零件。
- 用强力快干胶水粘合蚀刻片零件和金属轴。过量的快干胶水使用可能导致可动零件会粘住，小心涂胶。
- 取蚀刻片时应特别注意安全，防止利边划伤手指。
- 某些零件表面需贴上水贴纸，请选择在装配的同时进行。
- 推荐模型工具(自备)：胶水，水口剪刀，长咀钳，刀片，锉刀，镊子钳，钻，剪刀，瞬间快干胶。
- 软布同砂纸同时也应该是必备工具。
- 请使用塑料胶水和油漆，模型内不含。
- 谨防小孩吸吮塑料零件，或者将塑料袋套在头上，制作时应将套材远离小孩接触。

水贴纸的使用:

1. 从水贴上剪下印花;
2. 将印花放入温水中浸10秒，然后放在干净布上。
3. 拿着印花纸板将印花移到模型上;
4. 手指蘸水将印花移到适当的位置;
5. 用软布轻压印花直至水干，气泡消失。

DECAL APPLICATION

1. Cut off decal from sheet.
2. Dip the decal in tepid water 40° C for about 10 sec. and place on a clean cloth.
3. Hold the backing sheet edge and slide decal onto the model.
4. Move decal into position by wetting decal with finger.
5. Press decal gently down with a soft cloth until excess water and air bubbles are gone.



cyanoacrylate glue
使用强力胶



weight
配重



make hole
钻孔



cut / remove
切除



option
选择



no cement
不涂胶水



decal
贴纸



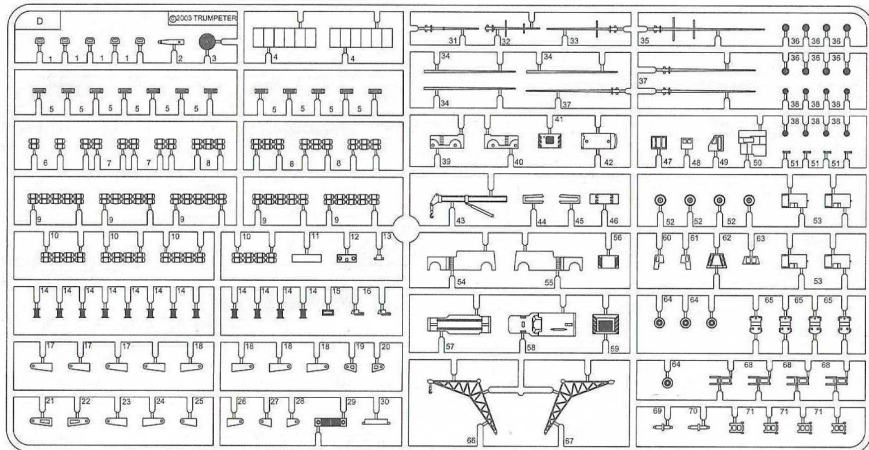
bend
弯曲



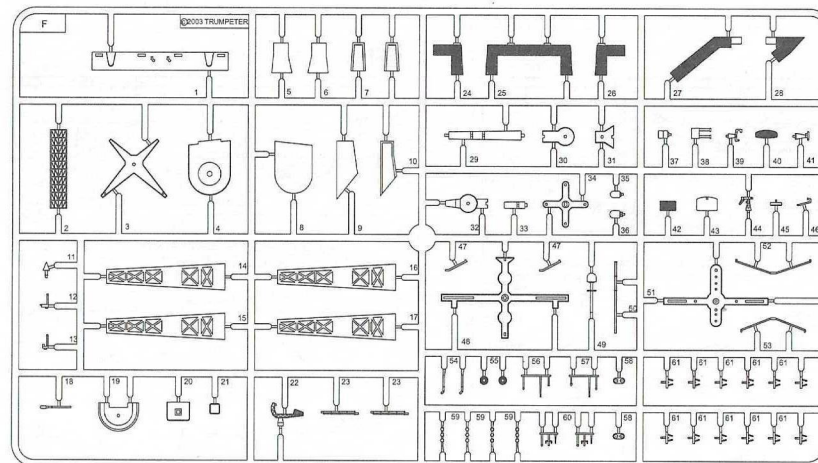
file / sand
锉平

部品图 Parts

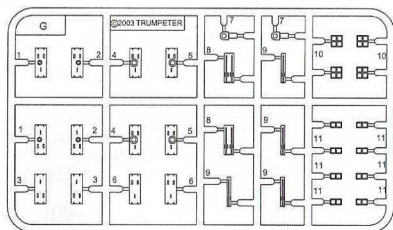
D × 2



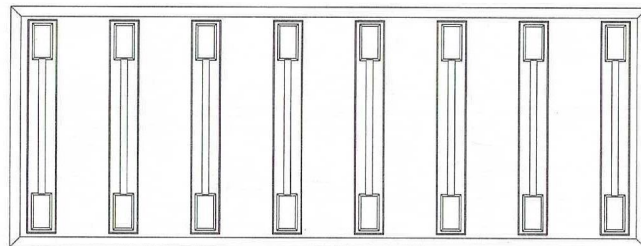
F



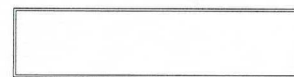
G × 2



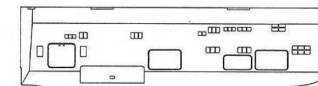
《座架》
Stand



《铭牌》
Name plate

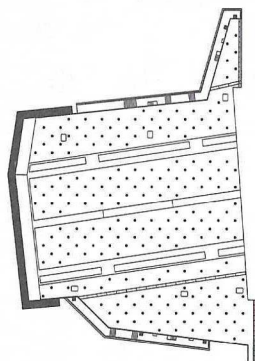


R

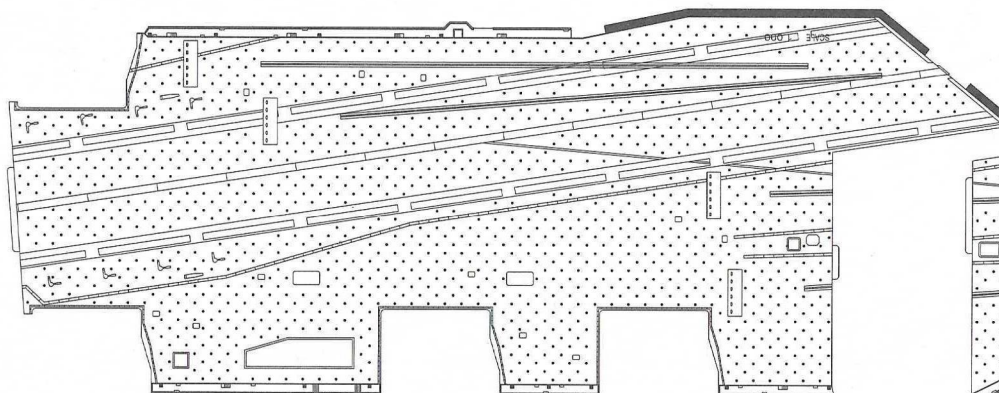


- | | | | | |
|-------------|---------------|------|--|--|
| 螺帽
Nut | PM2.0 × 2mm | 5PCS | 棉绳 $\phi 0.4 \times 1340\text{mm}$
Rope $\phi 0.4 \times 1340\text{mm}$ | 1PCS |
| 螺钉
Screw | PM2.0 × 4.8mm | 5PCS | 金属支撑片
Metal support |  5PCS |

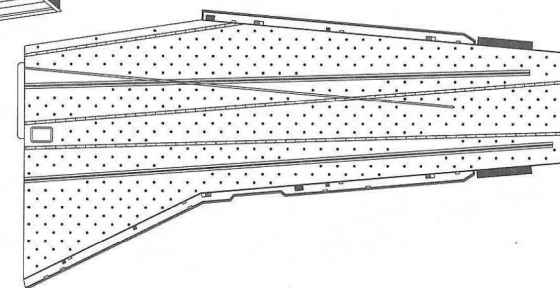
《后飞行甲板》
Aft flight deck



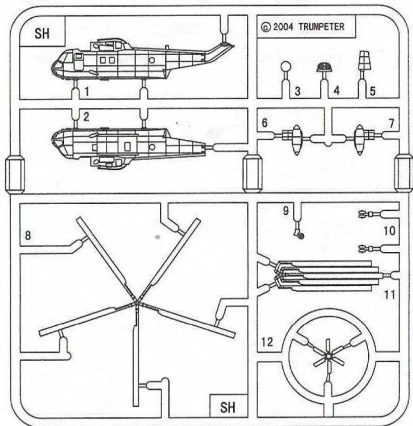
《中间飞行甲板》
Center flight deck



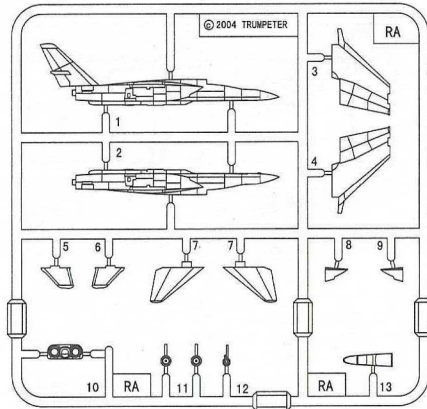
《前飞行甲板》
Fore flight deck



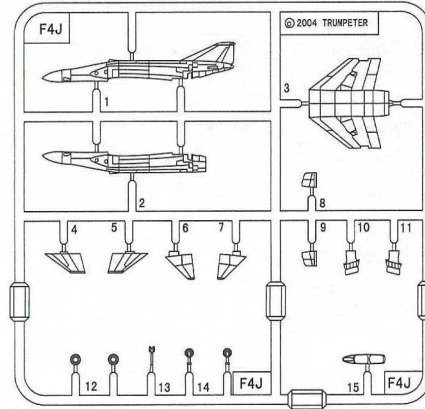
SH



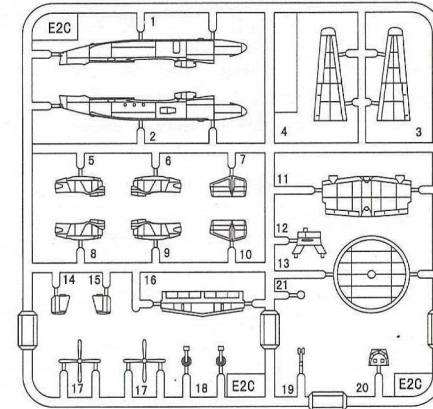
RA



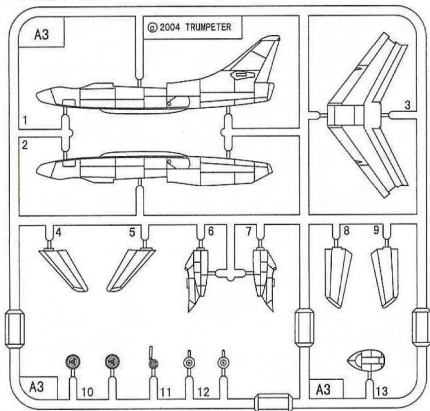
F4J×6



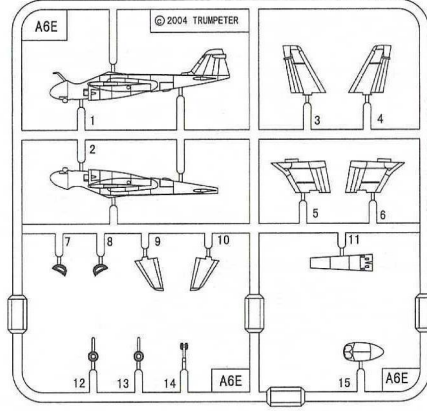
E2C



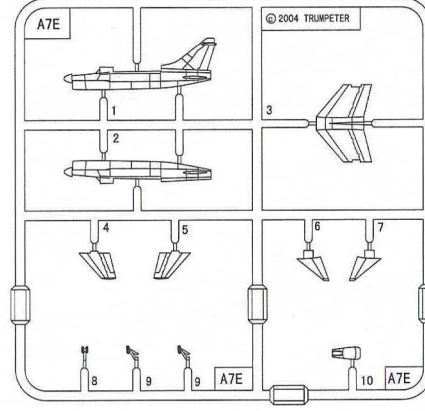
A3×2



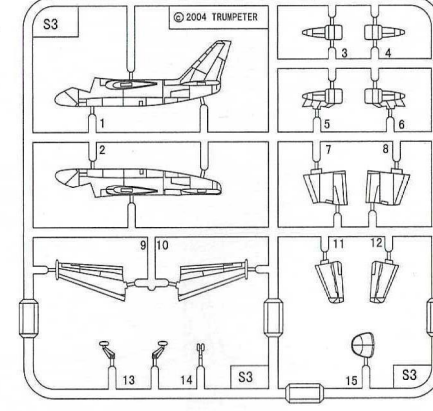
A6E×3



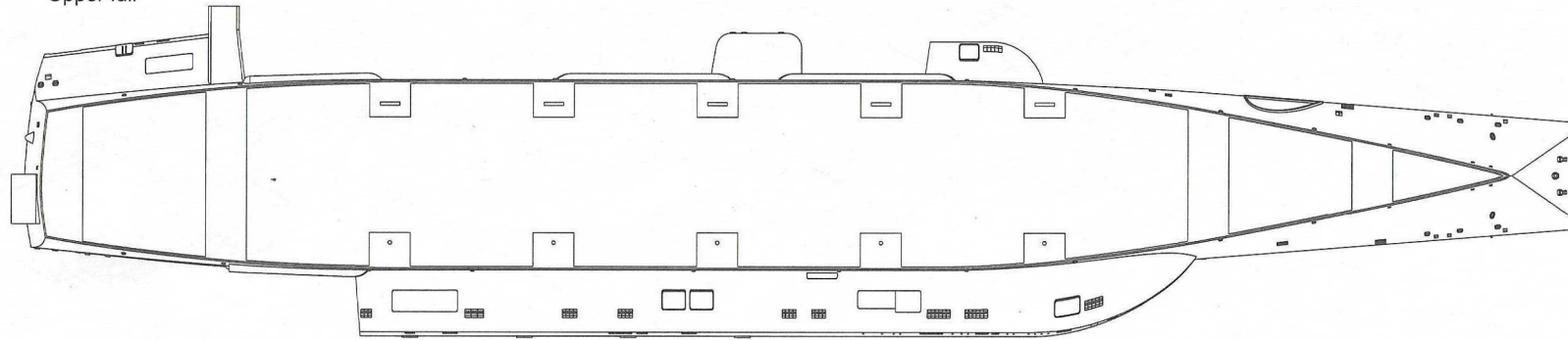
A7E×6



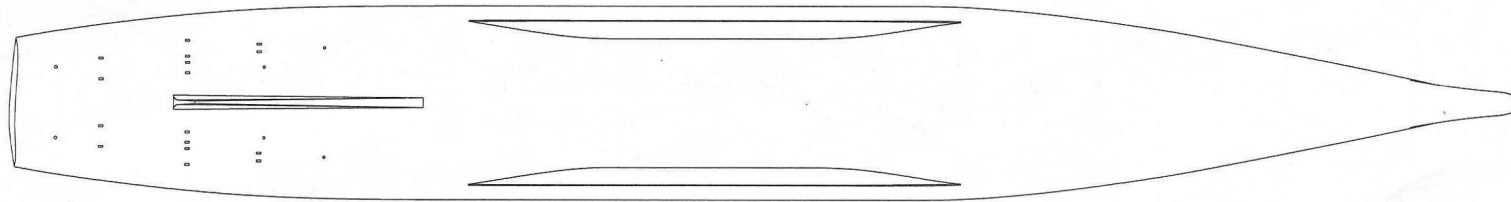
S3×2



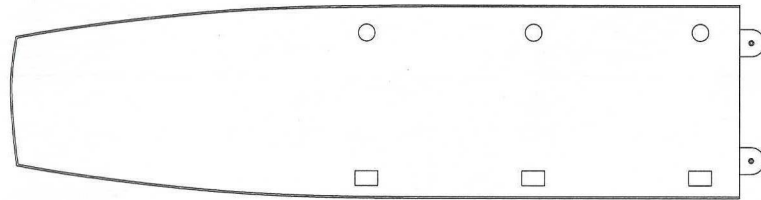
《上船底》
Upper full



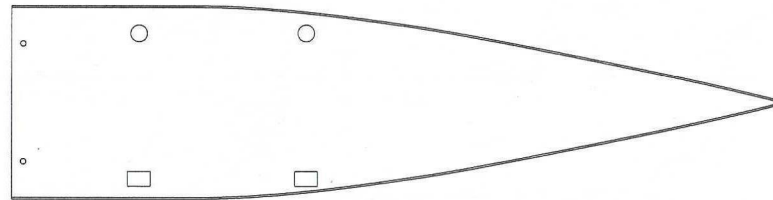
《下船底》
Lower full



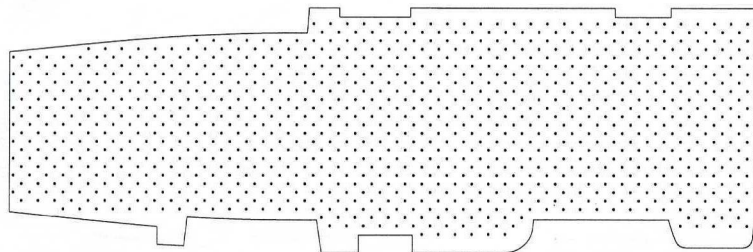
《后水线板》
Rear waterline plate



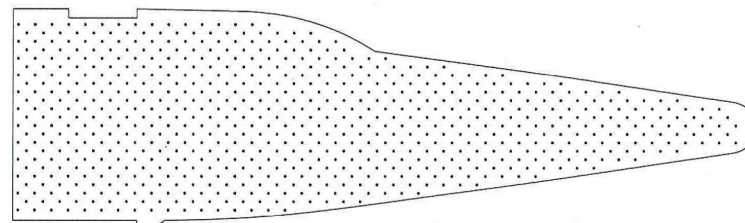
《前水线板》
Fore waterline plate



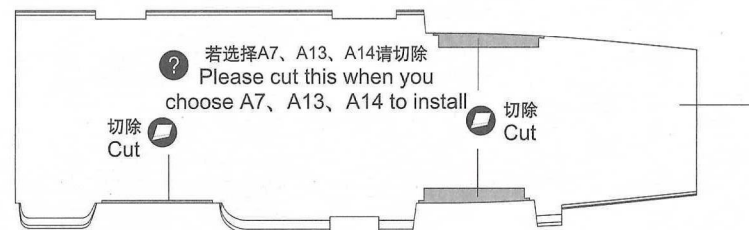
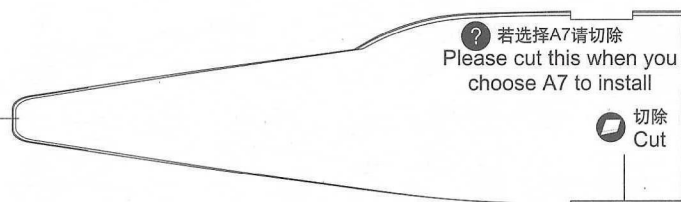
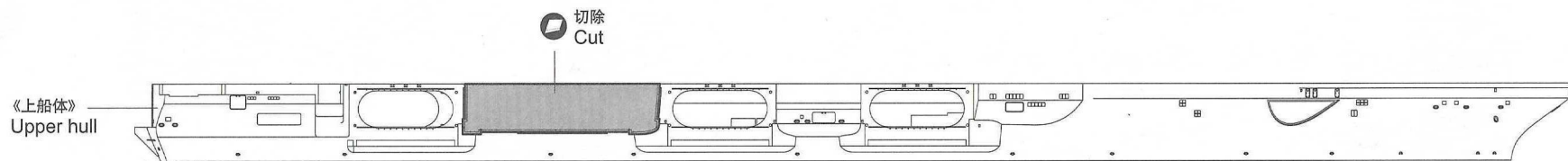
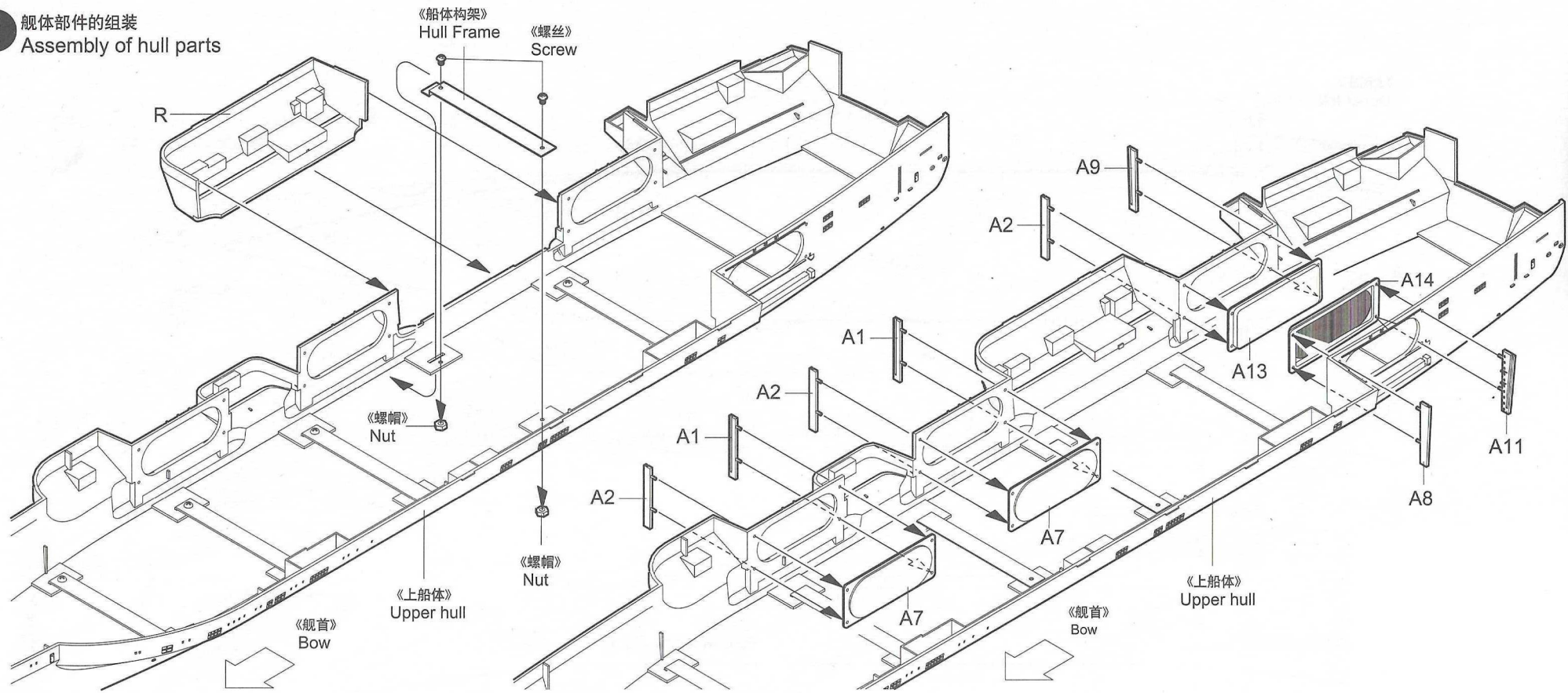
《后机库甲板》
Stern hangar deck



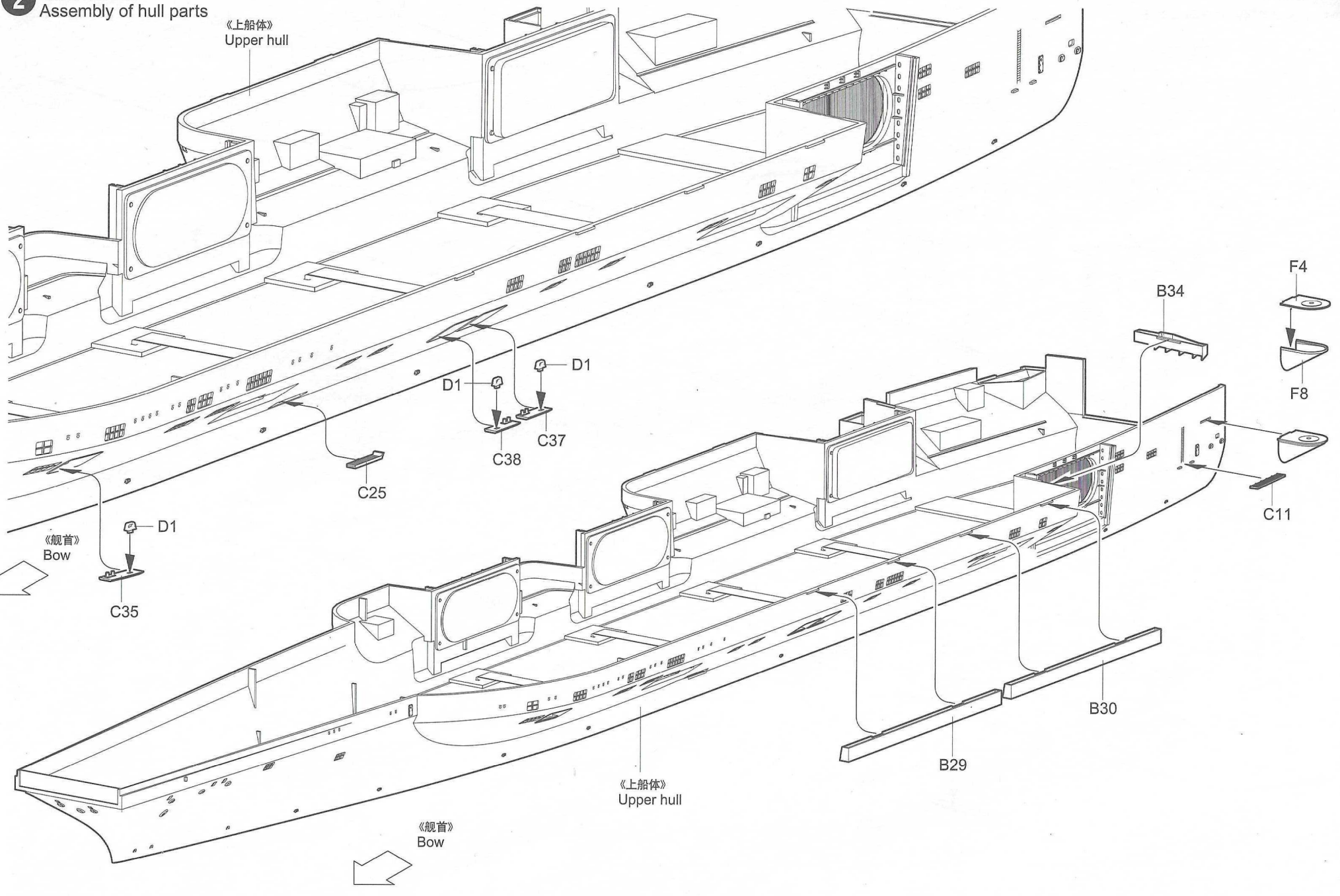
《前机库甲板》
Fore hangar deck



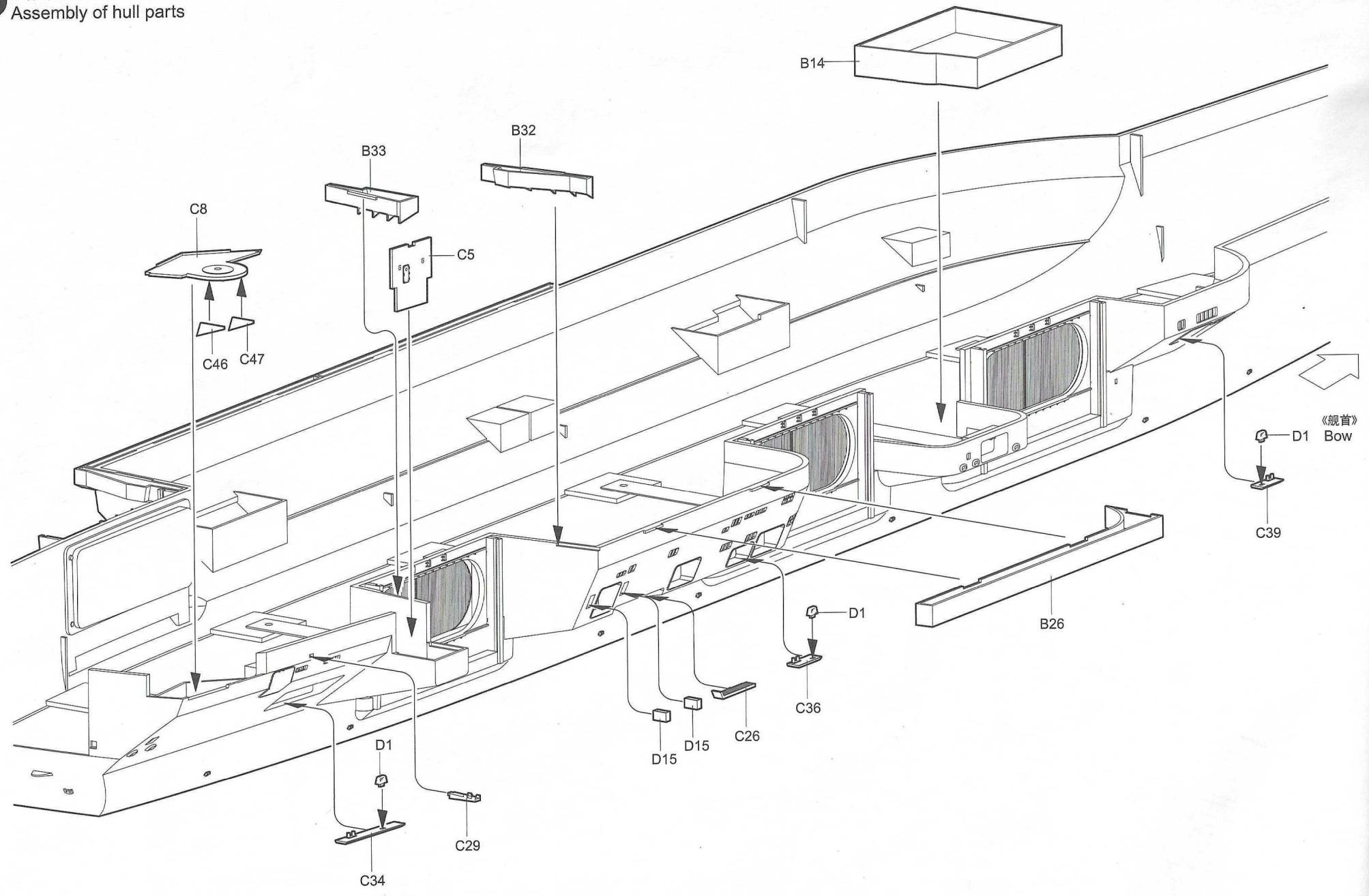
1 舰体部件的组装
Assembly of hull parts



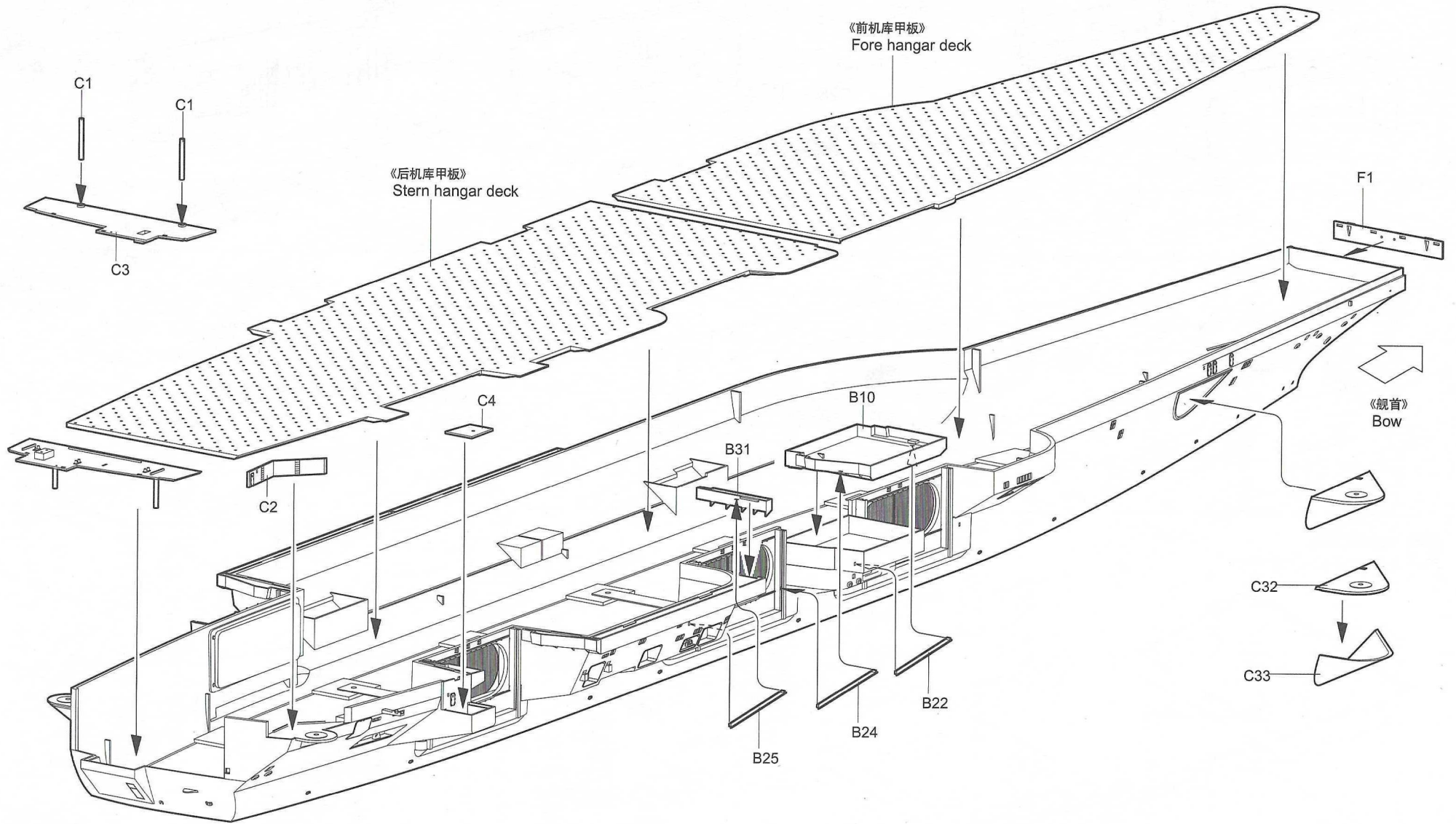
2 舰体部件的组装
Assembly of hull parts



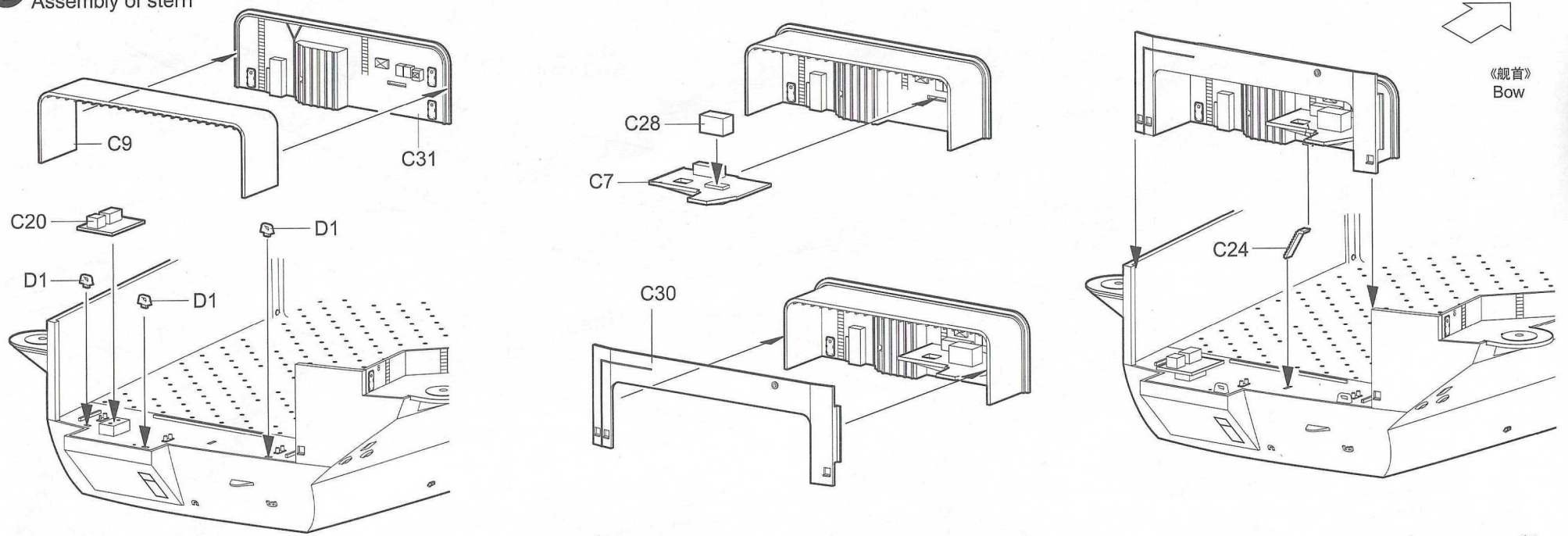
3 舰体部件的组装
Assembly of hull parts



4 机库甲板的组装
Assembly of hangar deck



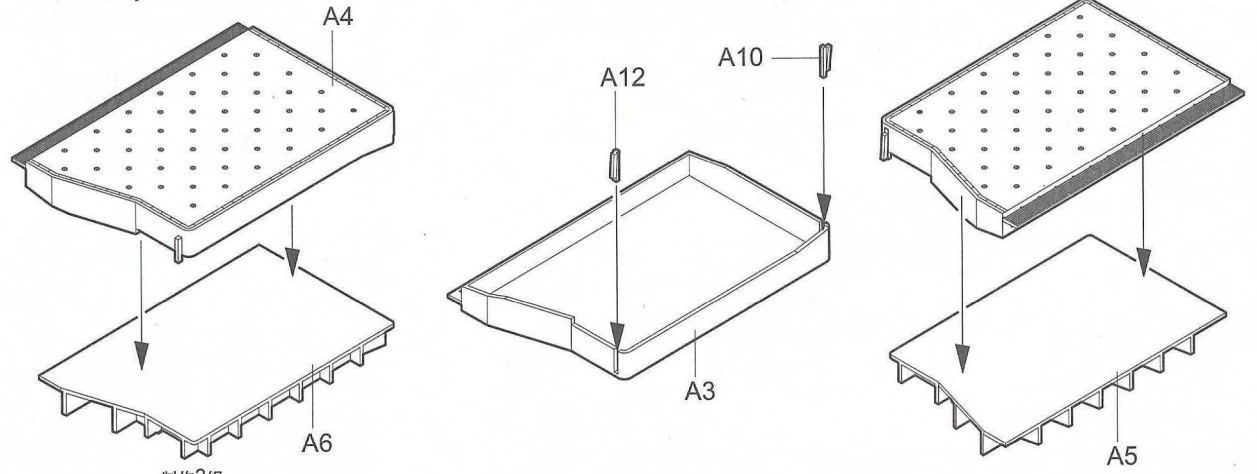
5 机库甲板的组装
Assembly of stern



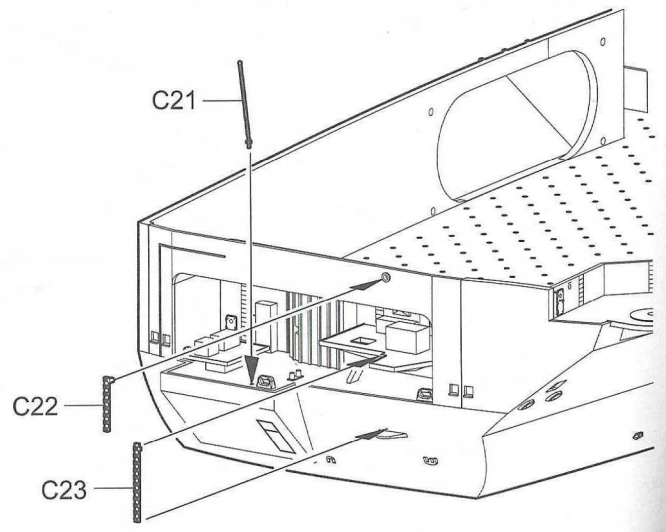
6 升降机的组装
Assembly of elevator

《升降机 I》
Elevator I

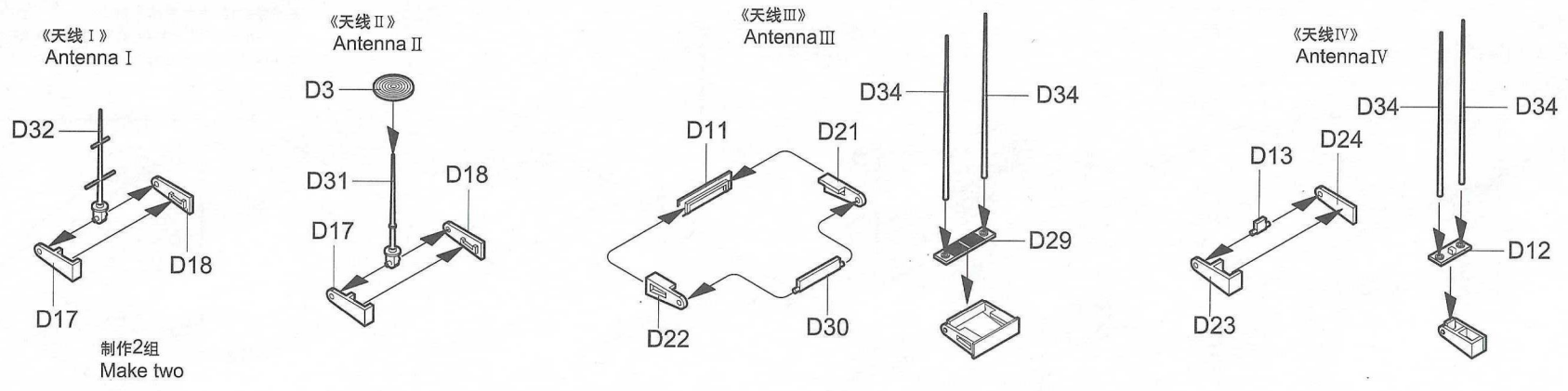
《升降机 II》
Elevator II



制作3组
Make three

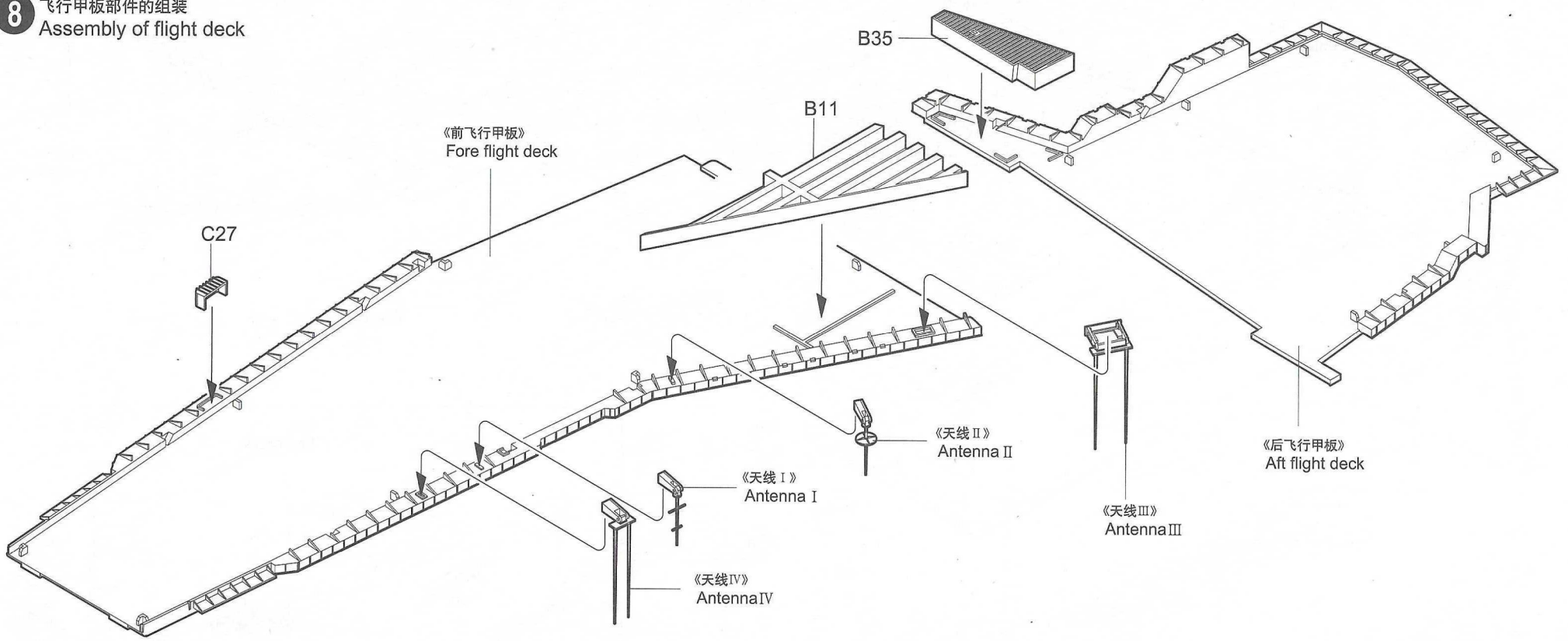


7



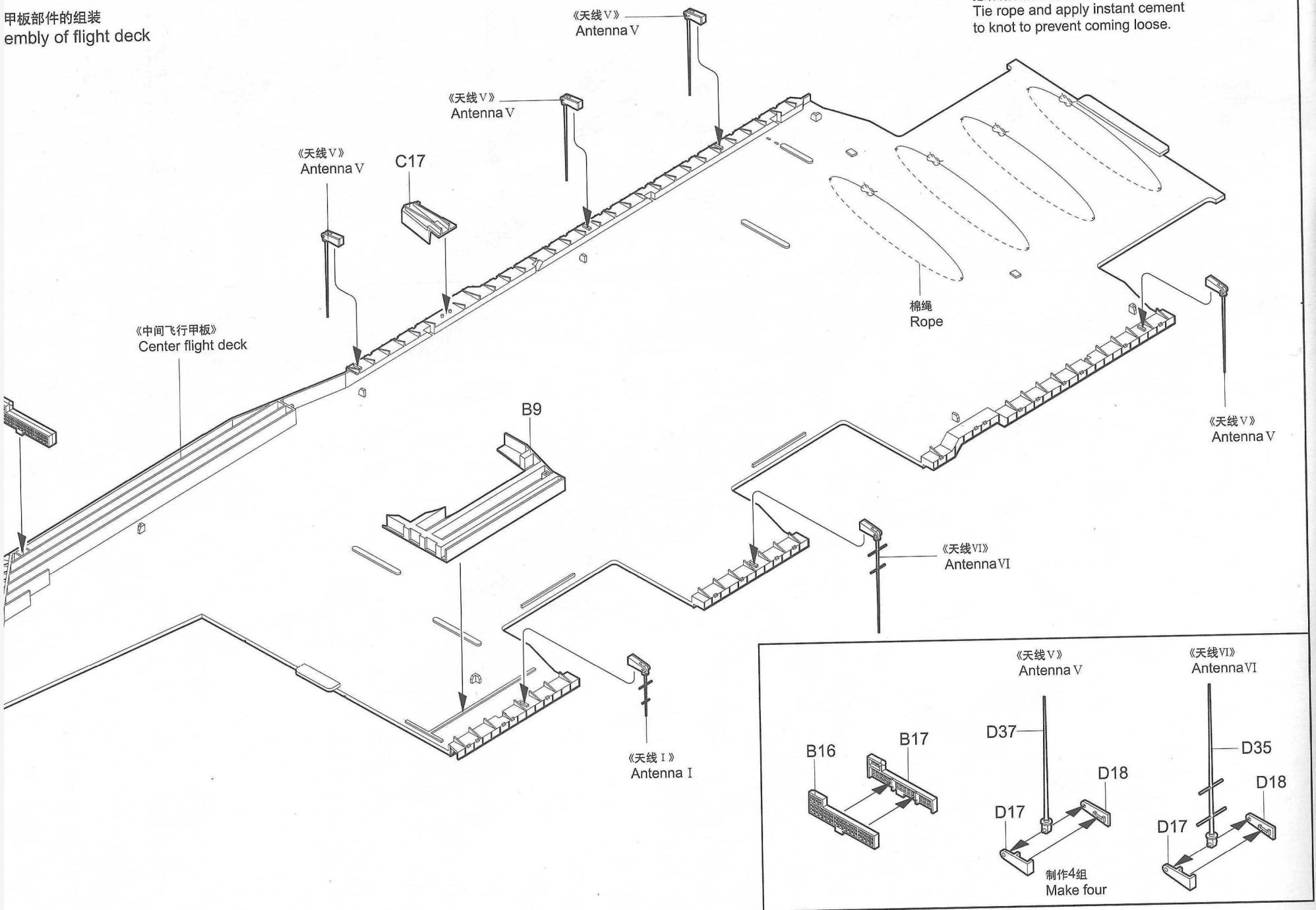
8

飞行甲板部件的组装
Assembly of flight deck

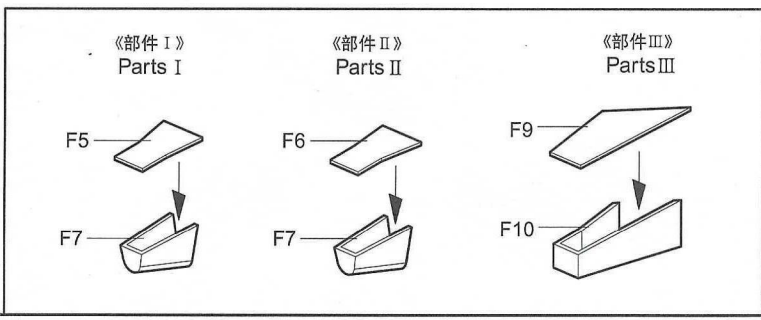
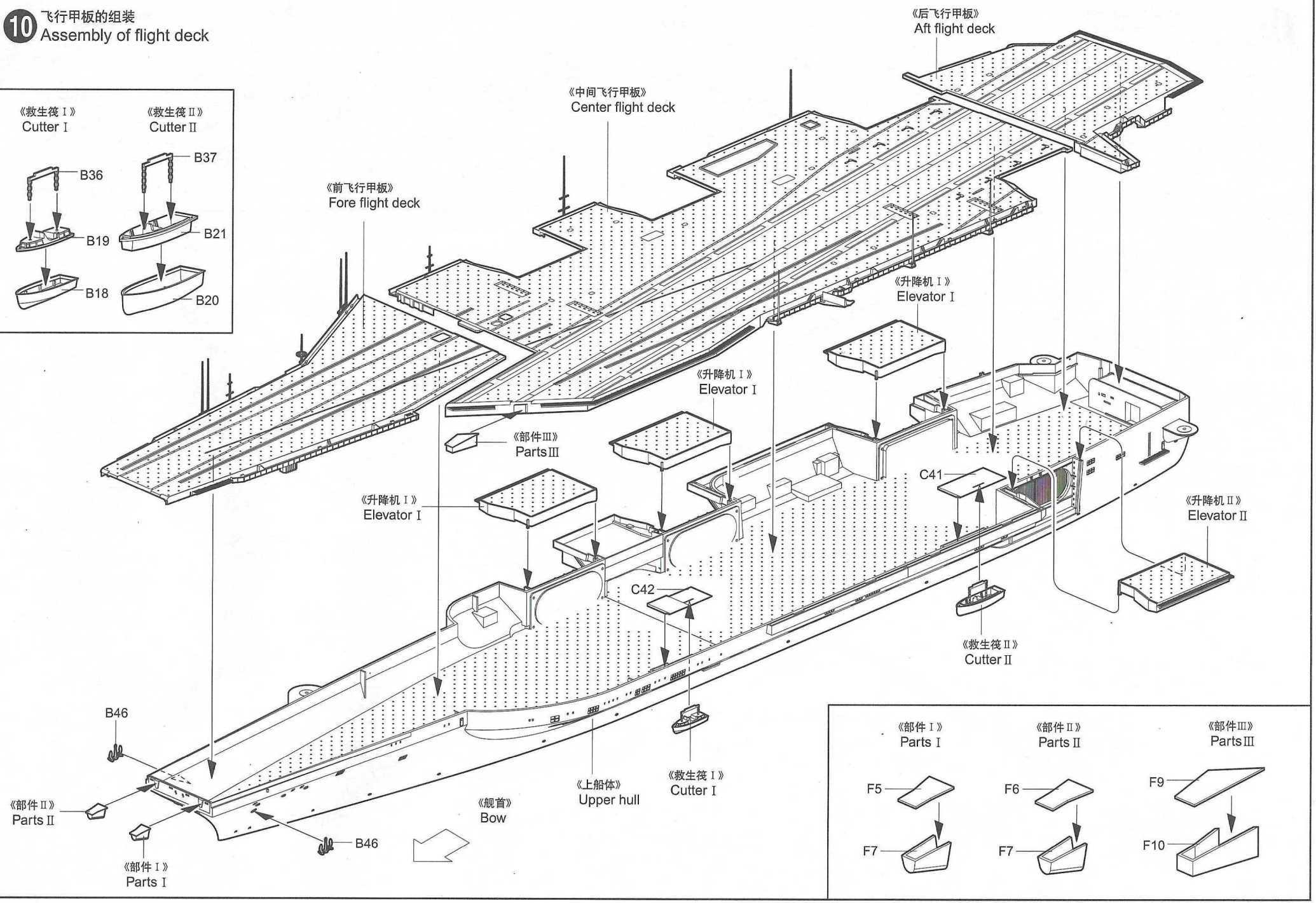
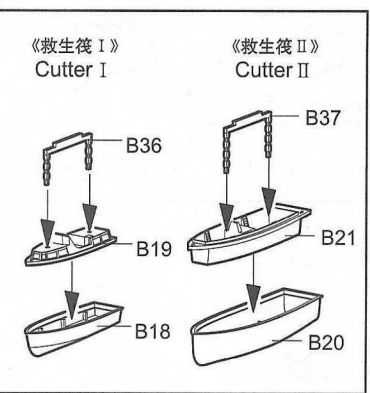


甲板部件的组装
embly of flight deck

把细线打结, 并使用粘合剂
Tie rope and apply instant cement
to knot to prevent coming loose.

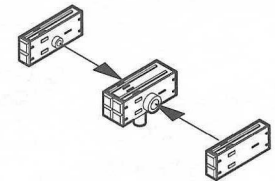
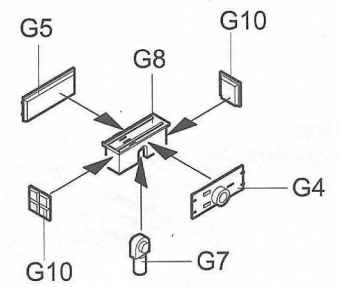
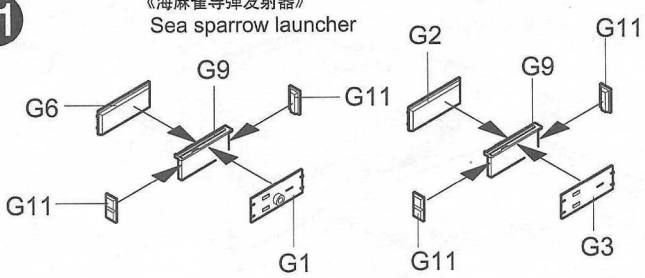


10 飞行甲板的组装
Assembly of flight deck



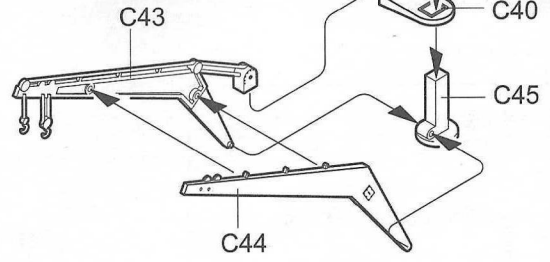
11

《海麻雀导弹发射器》
Sea sparrow launcher



制作3组
Make three

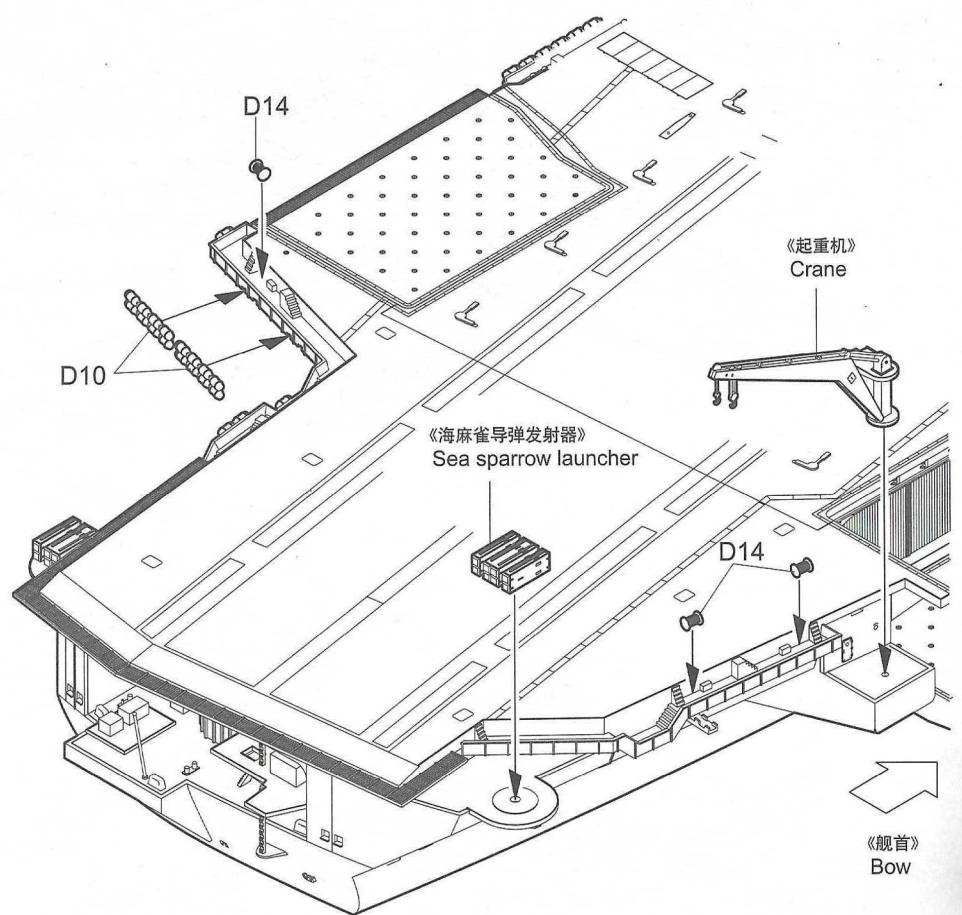
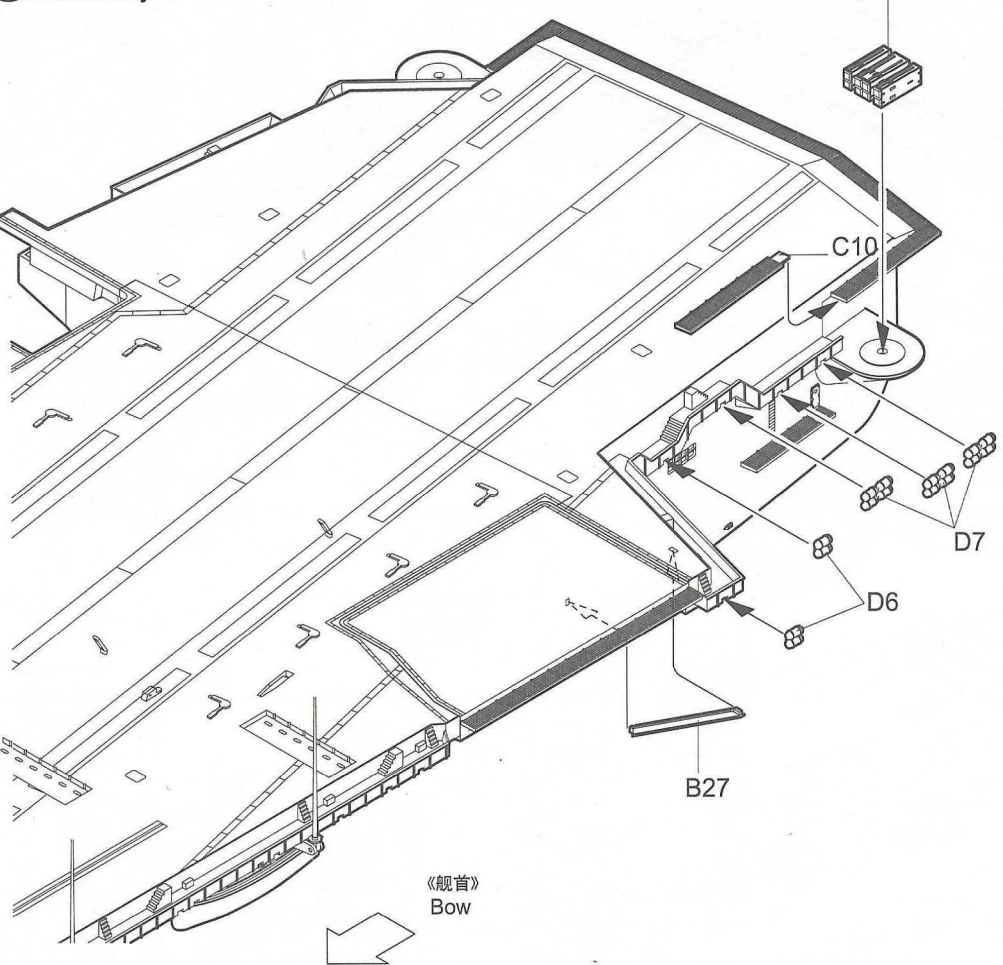
《起重机》
Crane



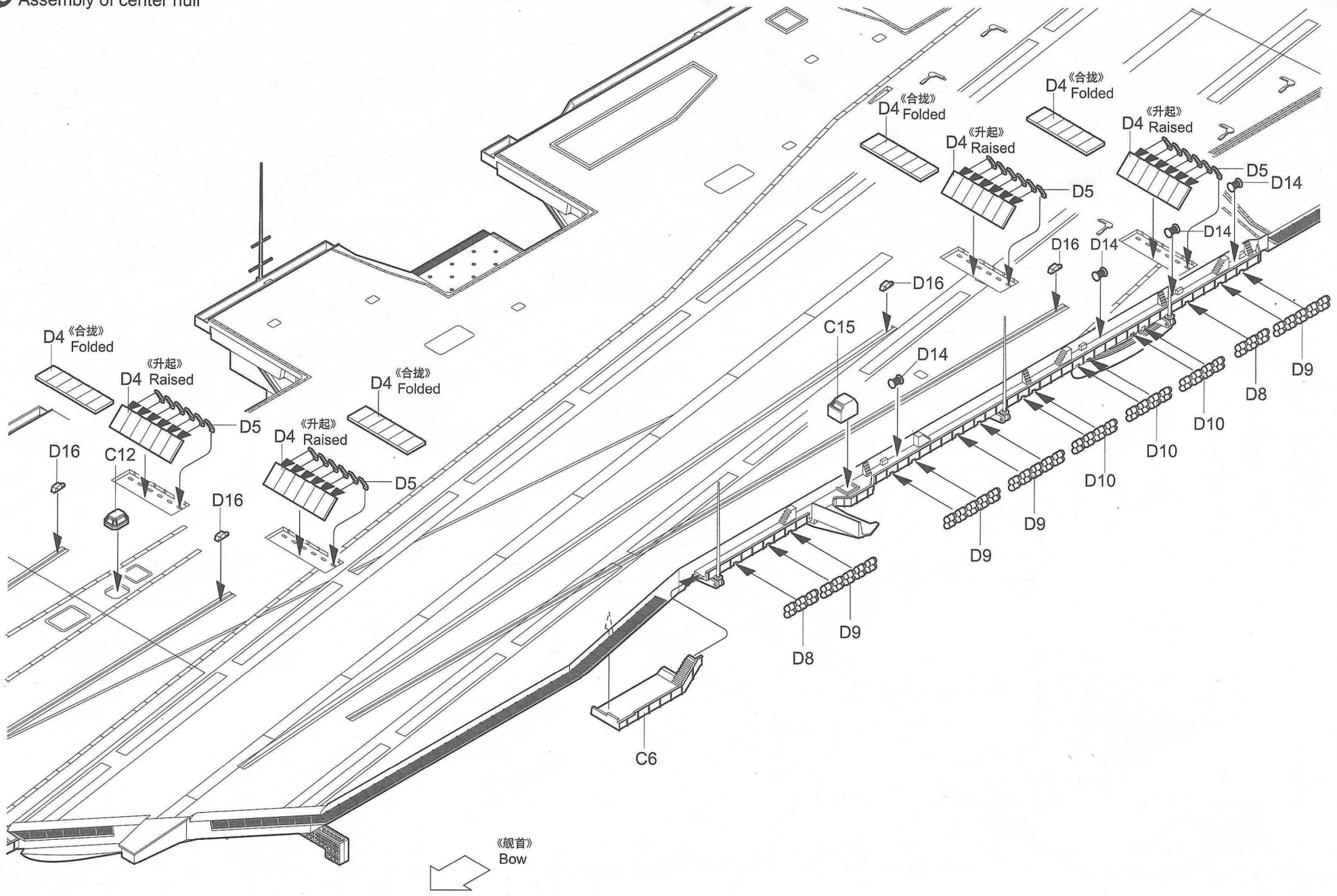
12

舰尾部件的组装
Assembly of stern

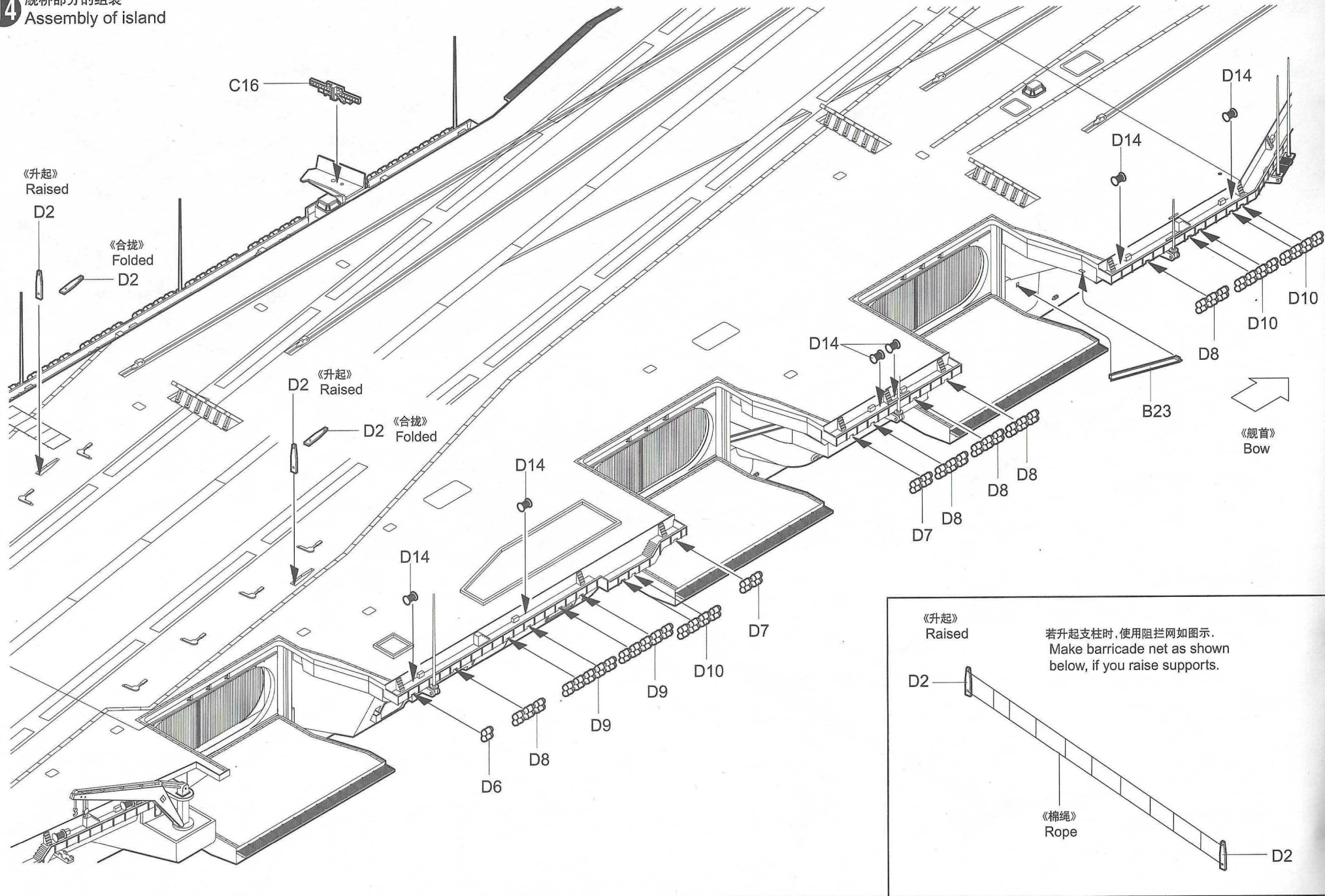
《海麻雀导弹发射器》
Sea sparrow launcher



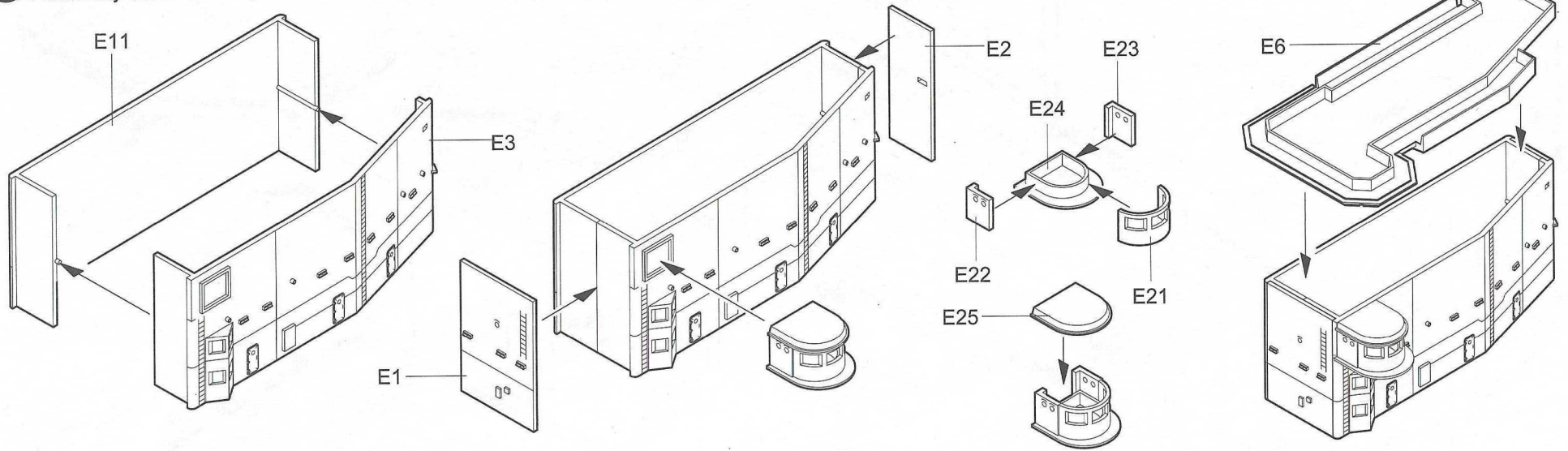
13 舰中部部件的组装
Assembly of center hull



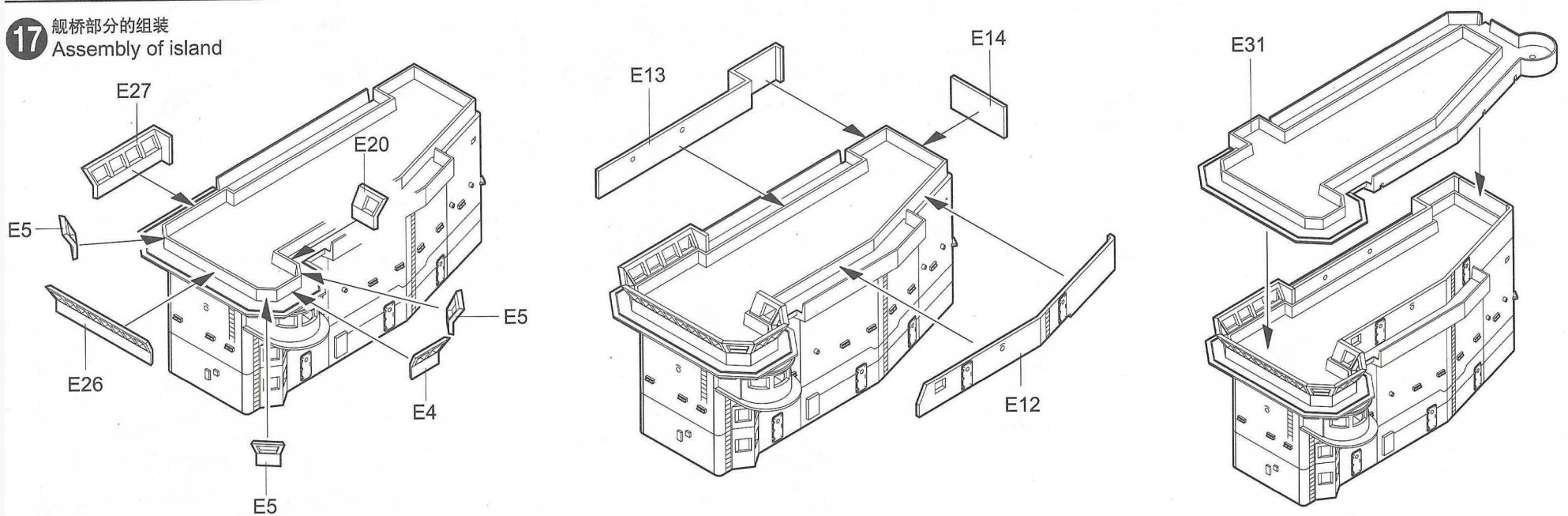
14 舰桥部分的组装
Assembly of island



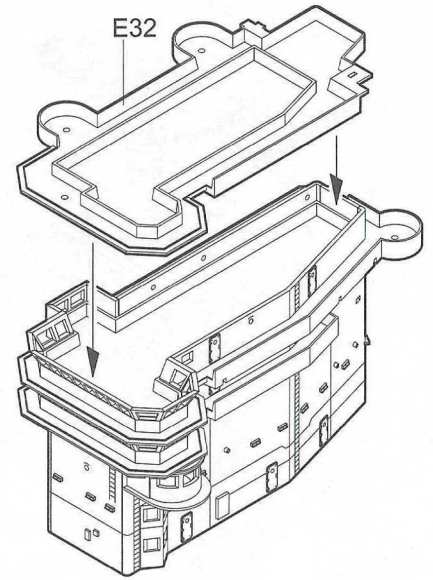
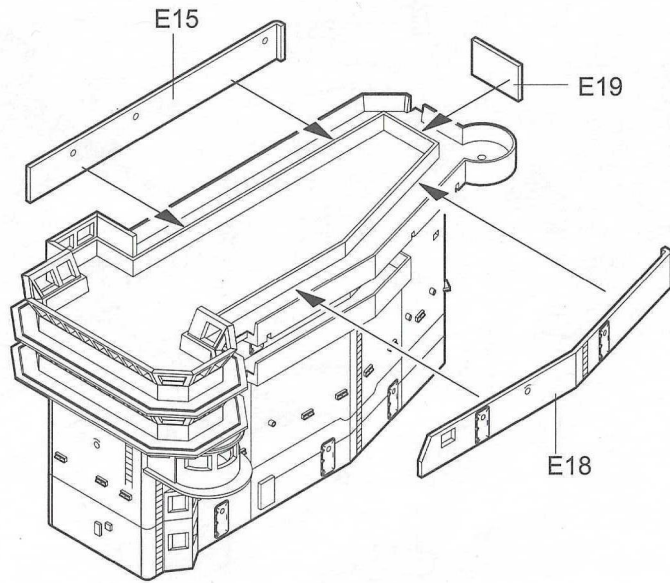
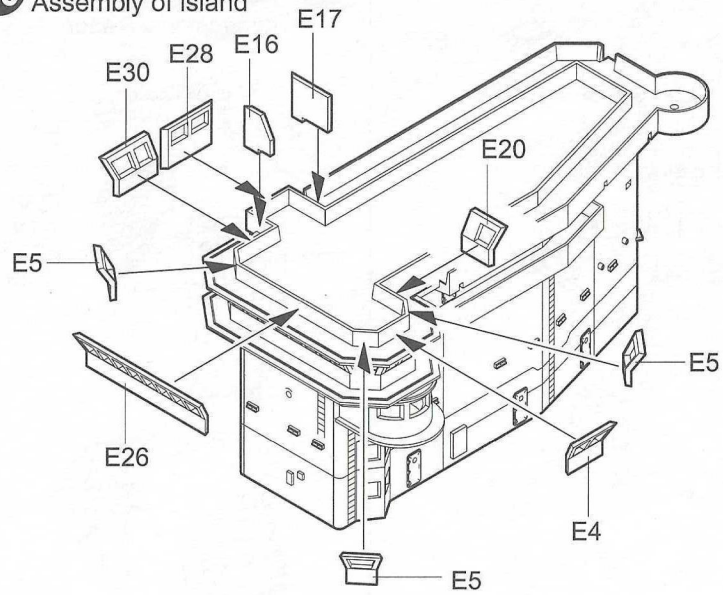
16 舰桥部分的组装
Assembly of island



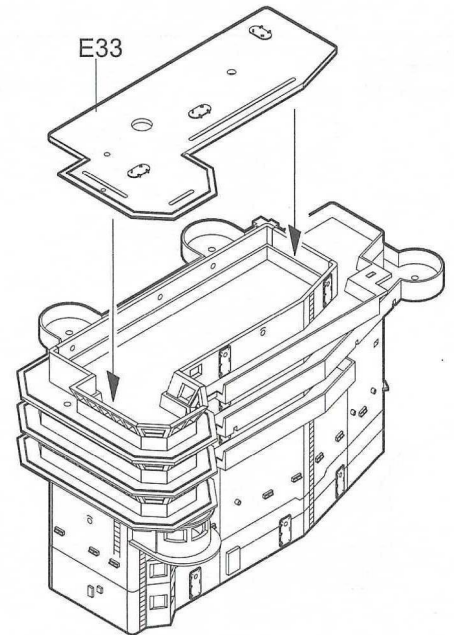
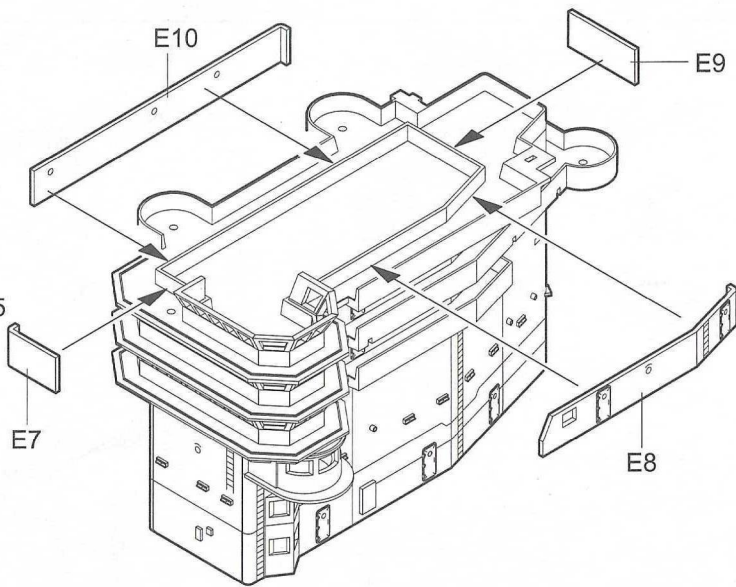
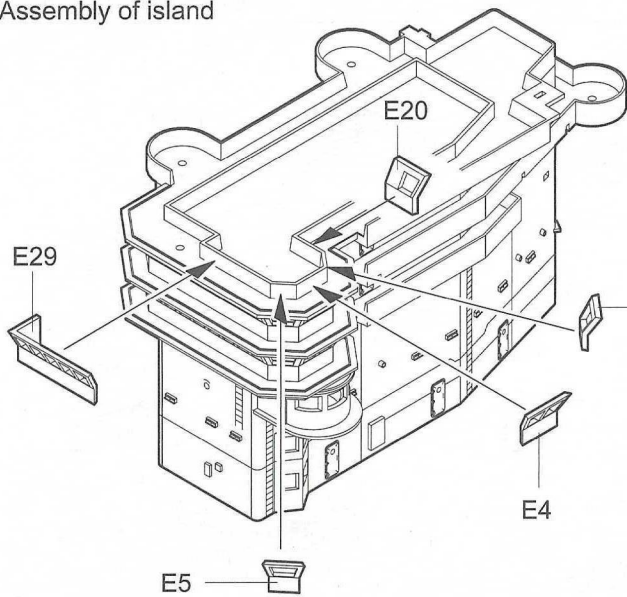
17 舰桥部分的组装
Assembly of island



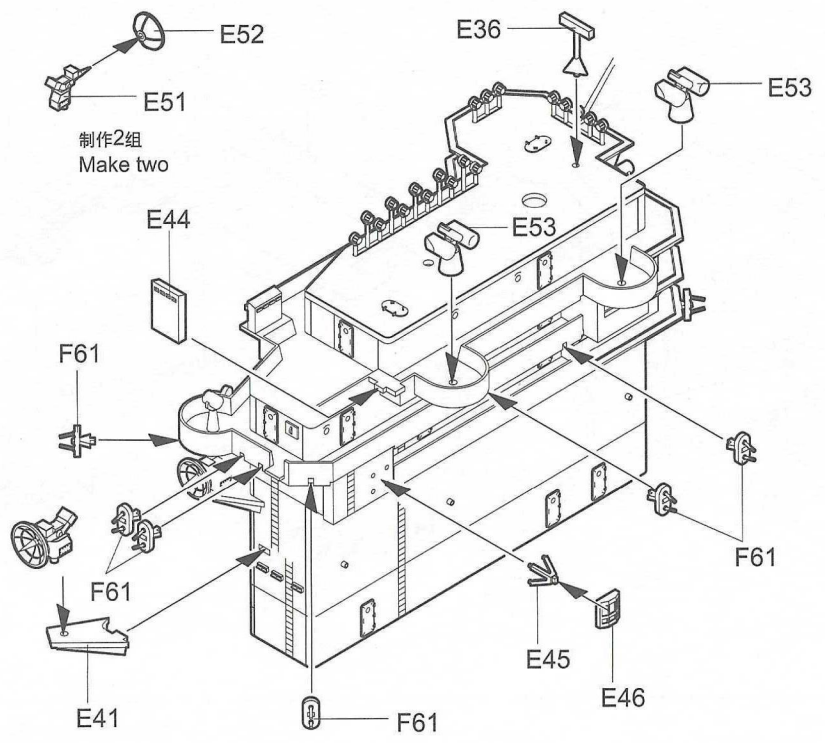
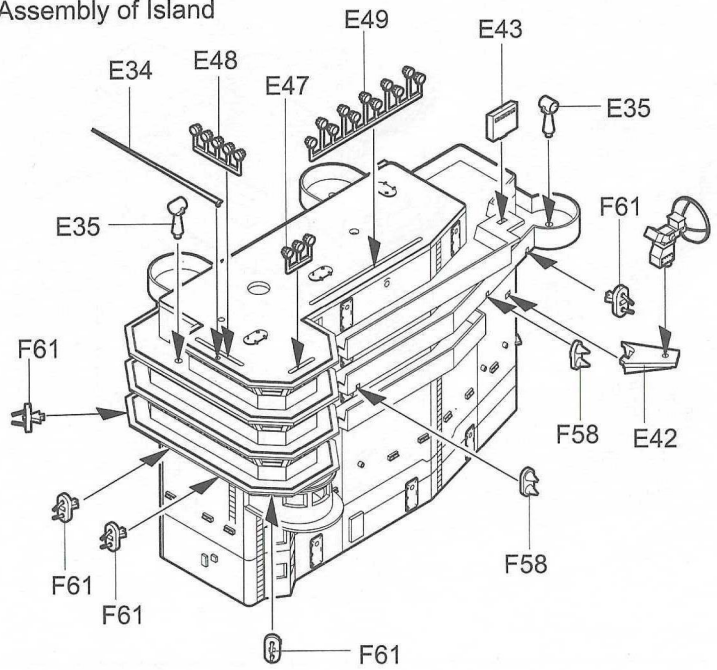
18 舰桥部分的组装
Assembly of island



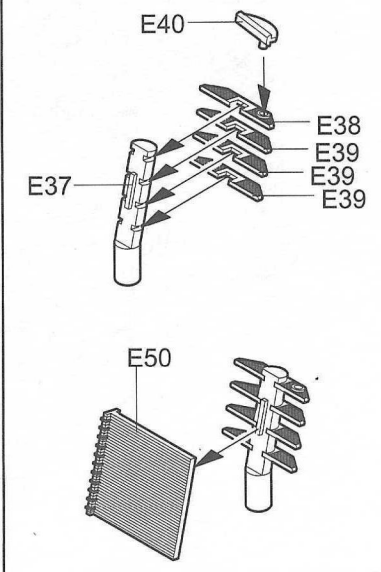
19 舰桥部分的组装
Assembly of island



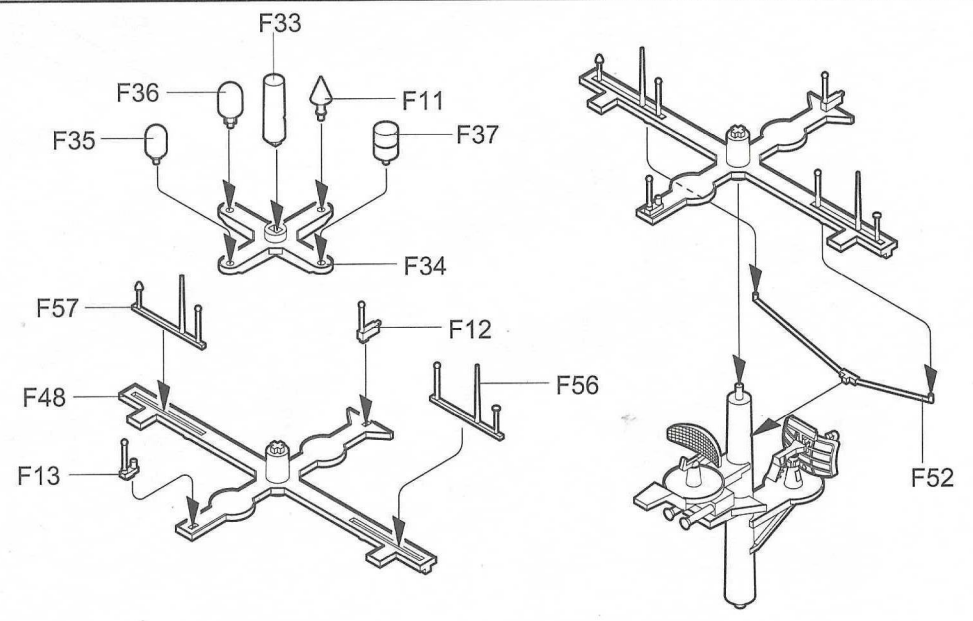
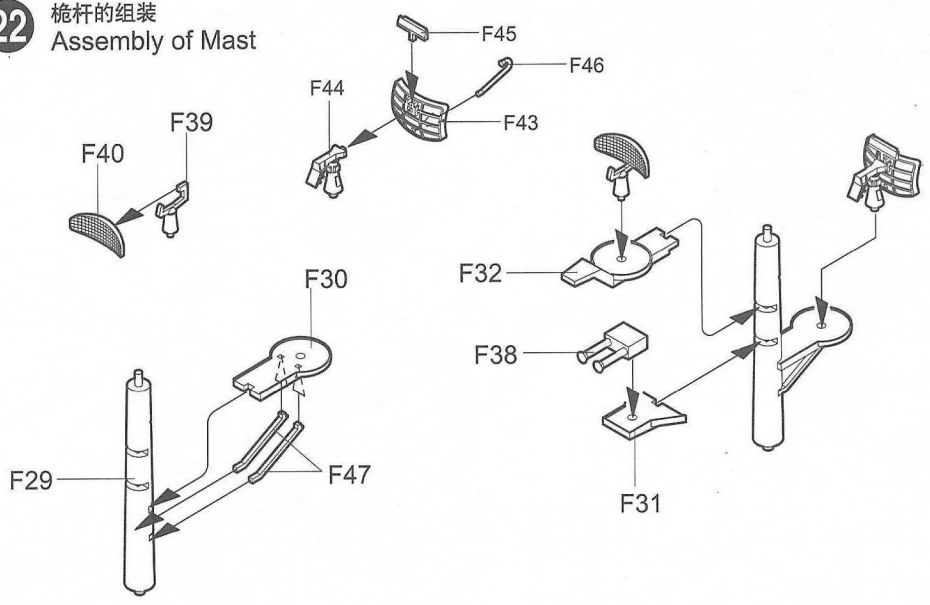
20 舰桥部分的组装
Assembly of Island



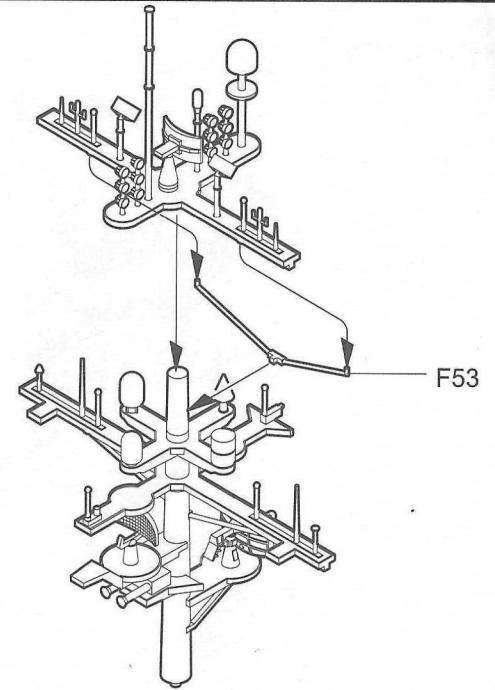
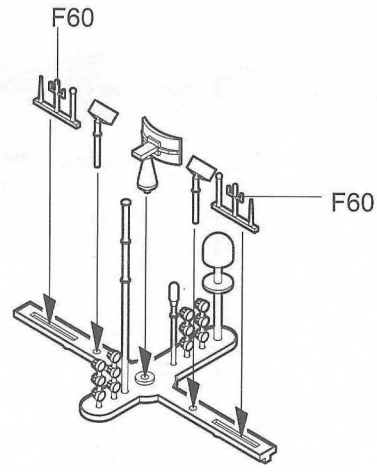
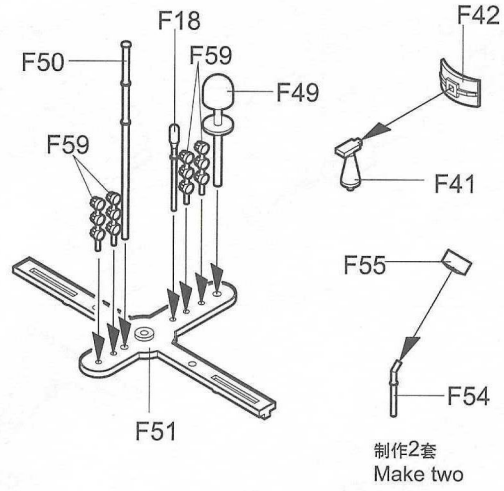
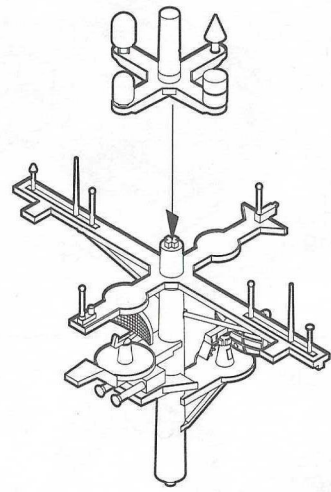
21 三维坐标雷达的组装
Assembly of three dimensional Radar



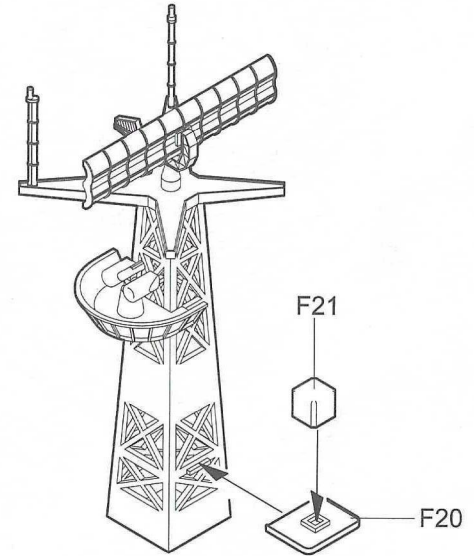
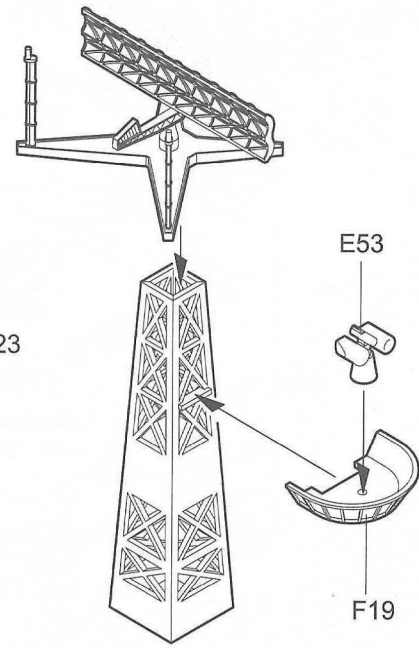
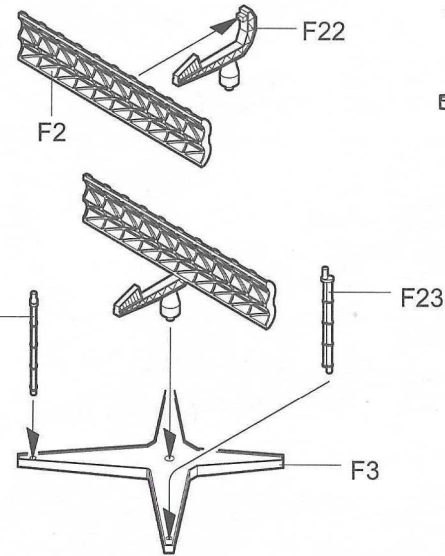
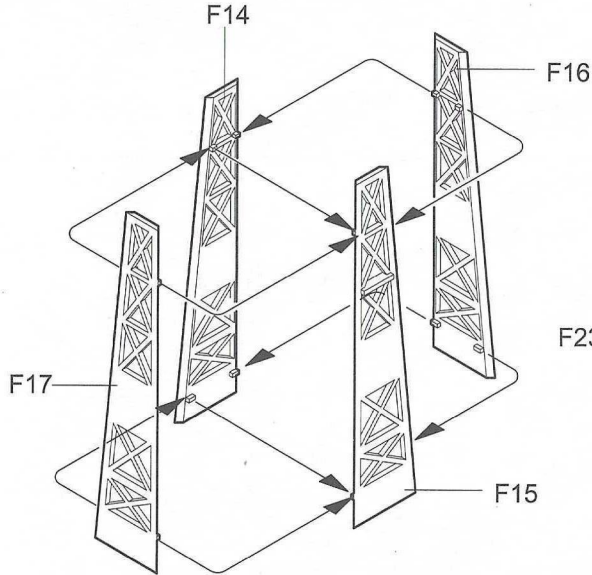
22 桅杆的组装
Assembly of Mast



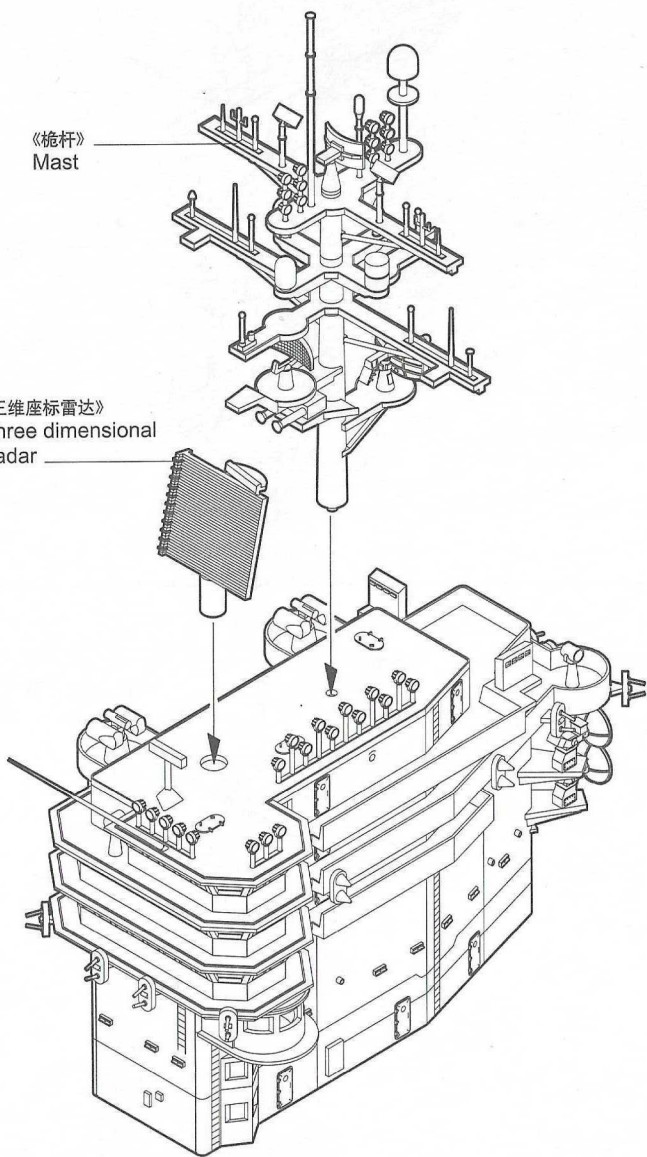
23 桅杆的组装
Assembly of Mast



24 主桅杆的组装
Assembly of Main Mast

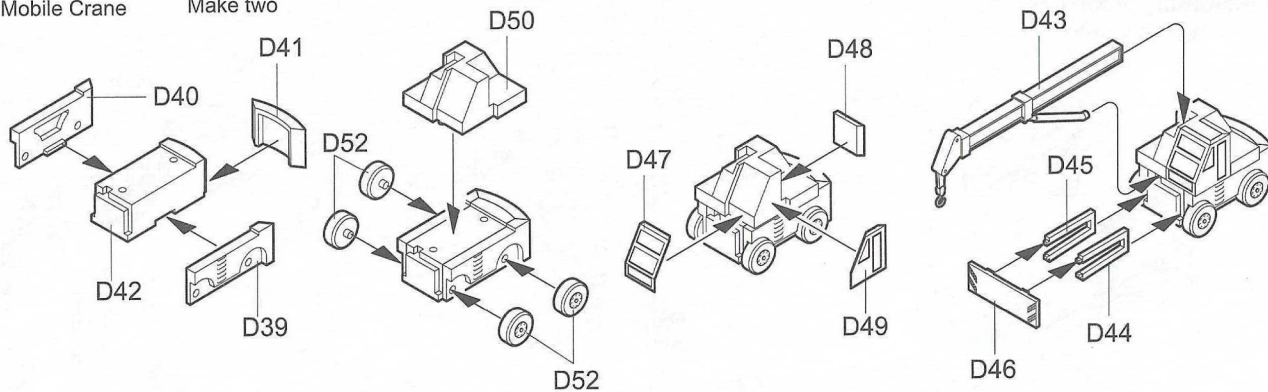


舰桥的组装
Assembly of Island



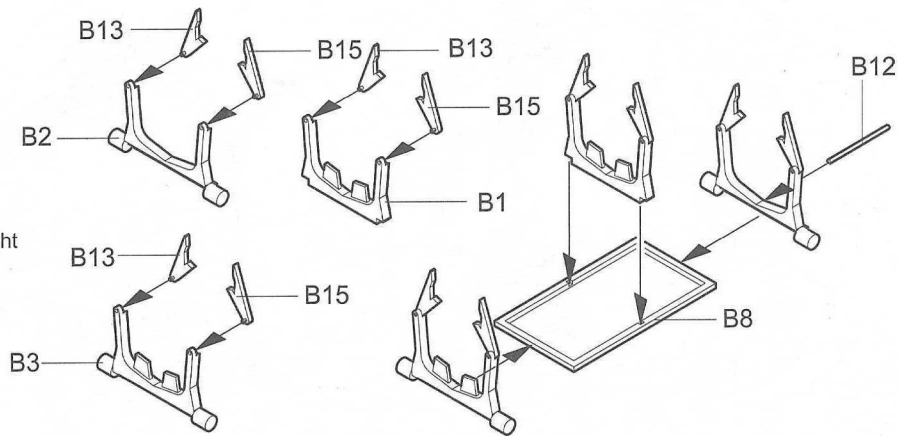
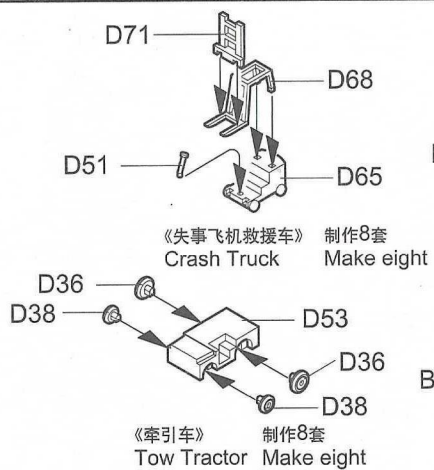
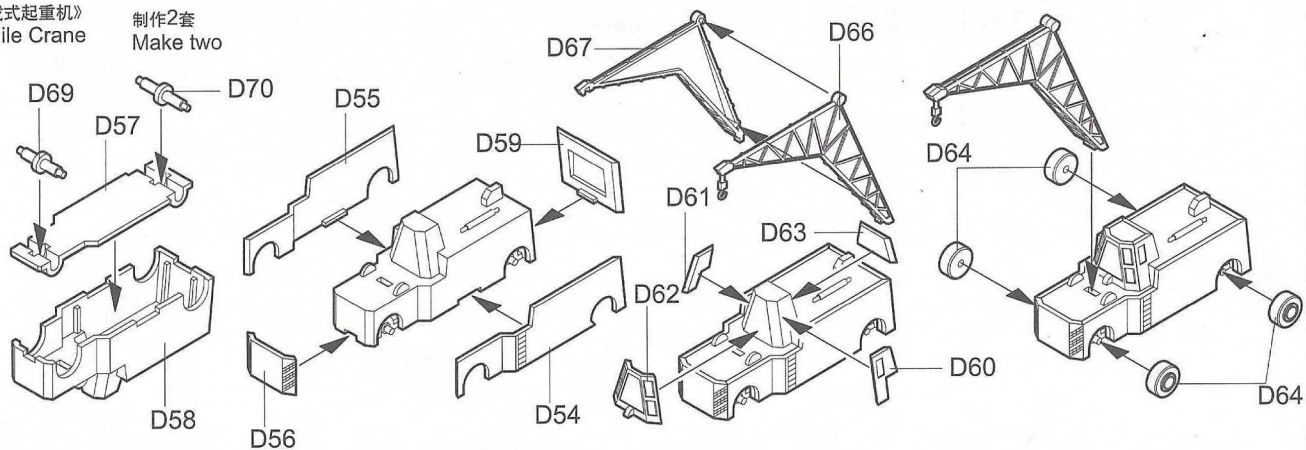
《车载式起重机》
Mobile Crane

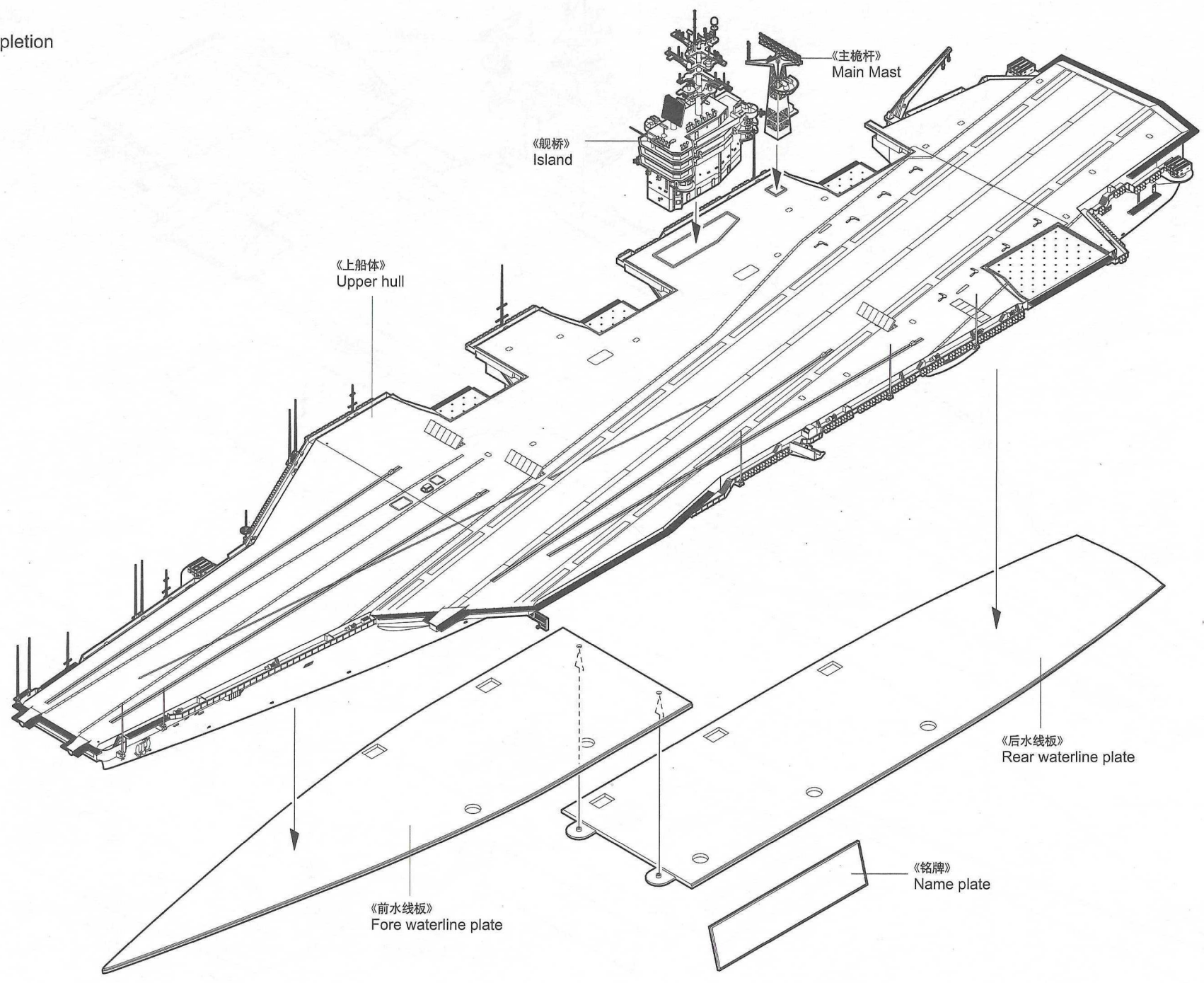
制作2套
Make two

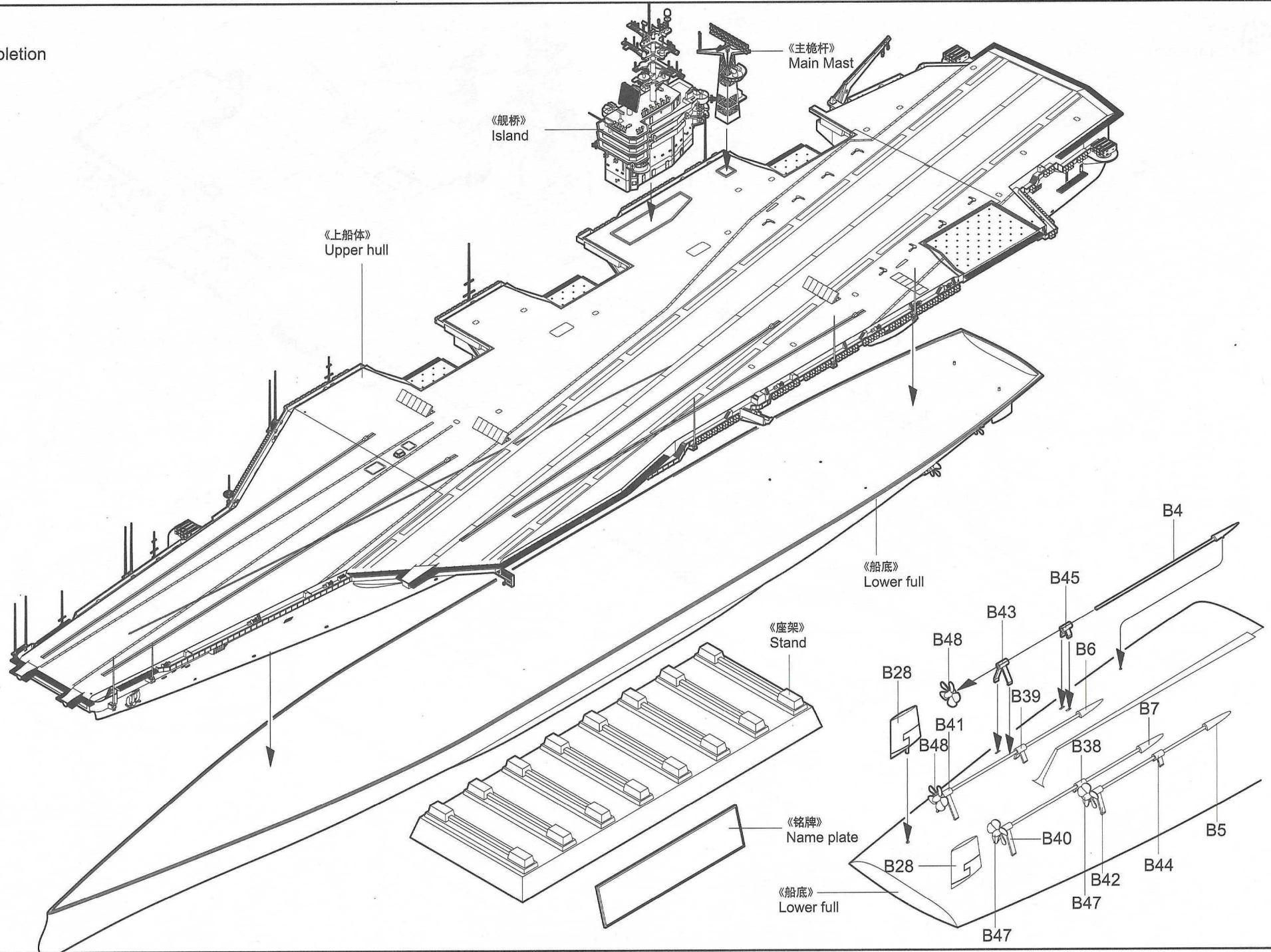


《车载式起重机》
Mobile Crane

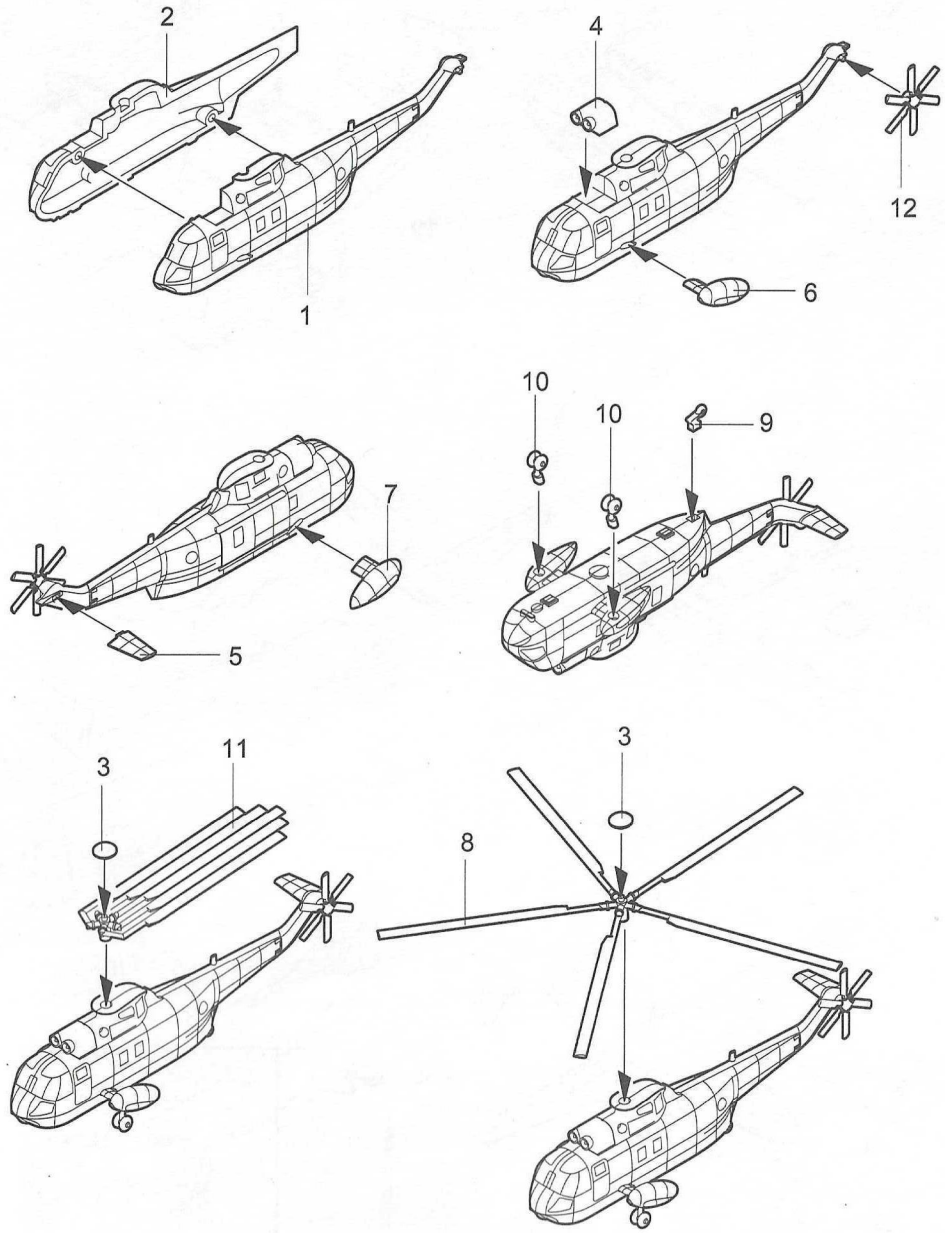
制作2套
Make two



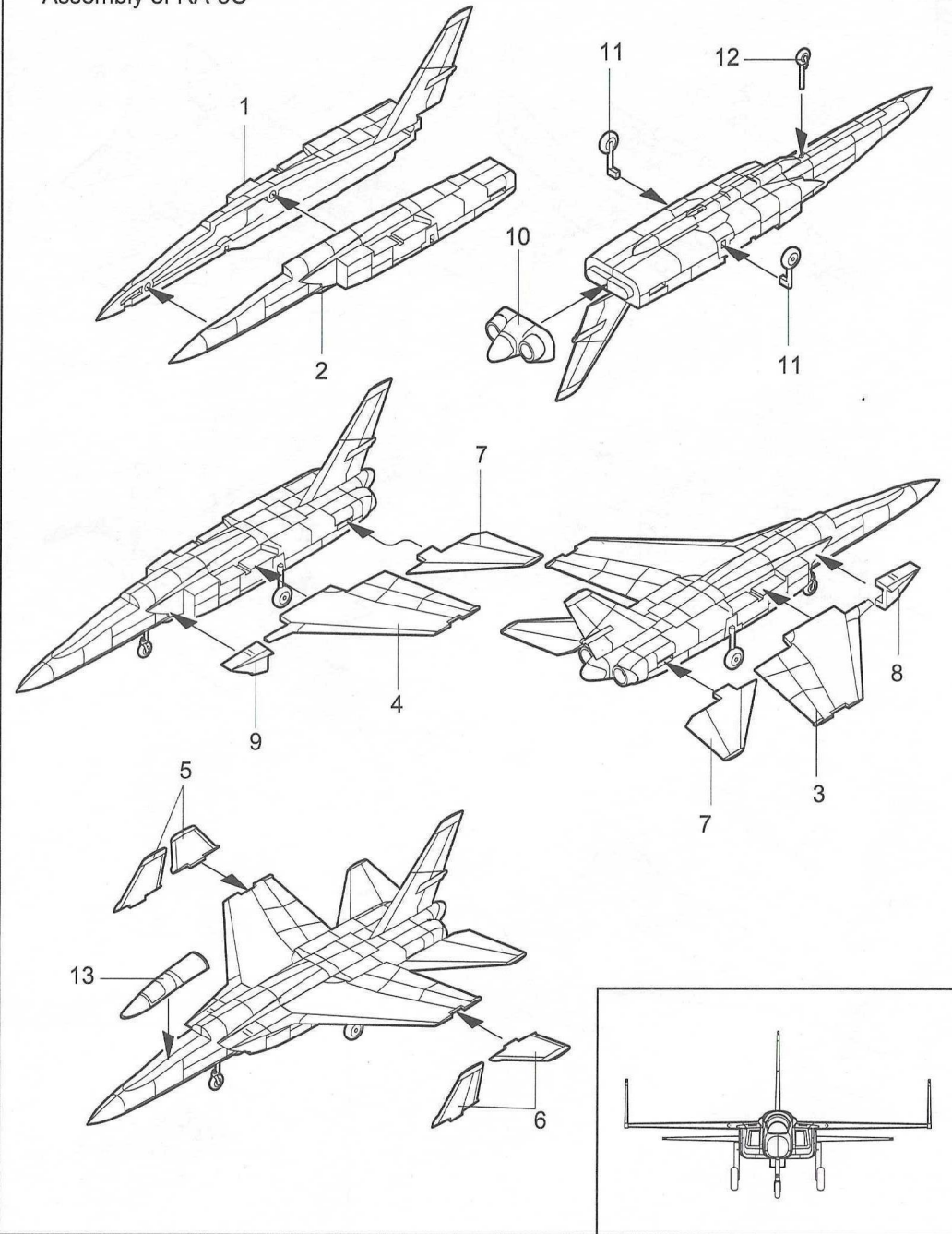




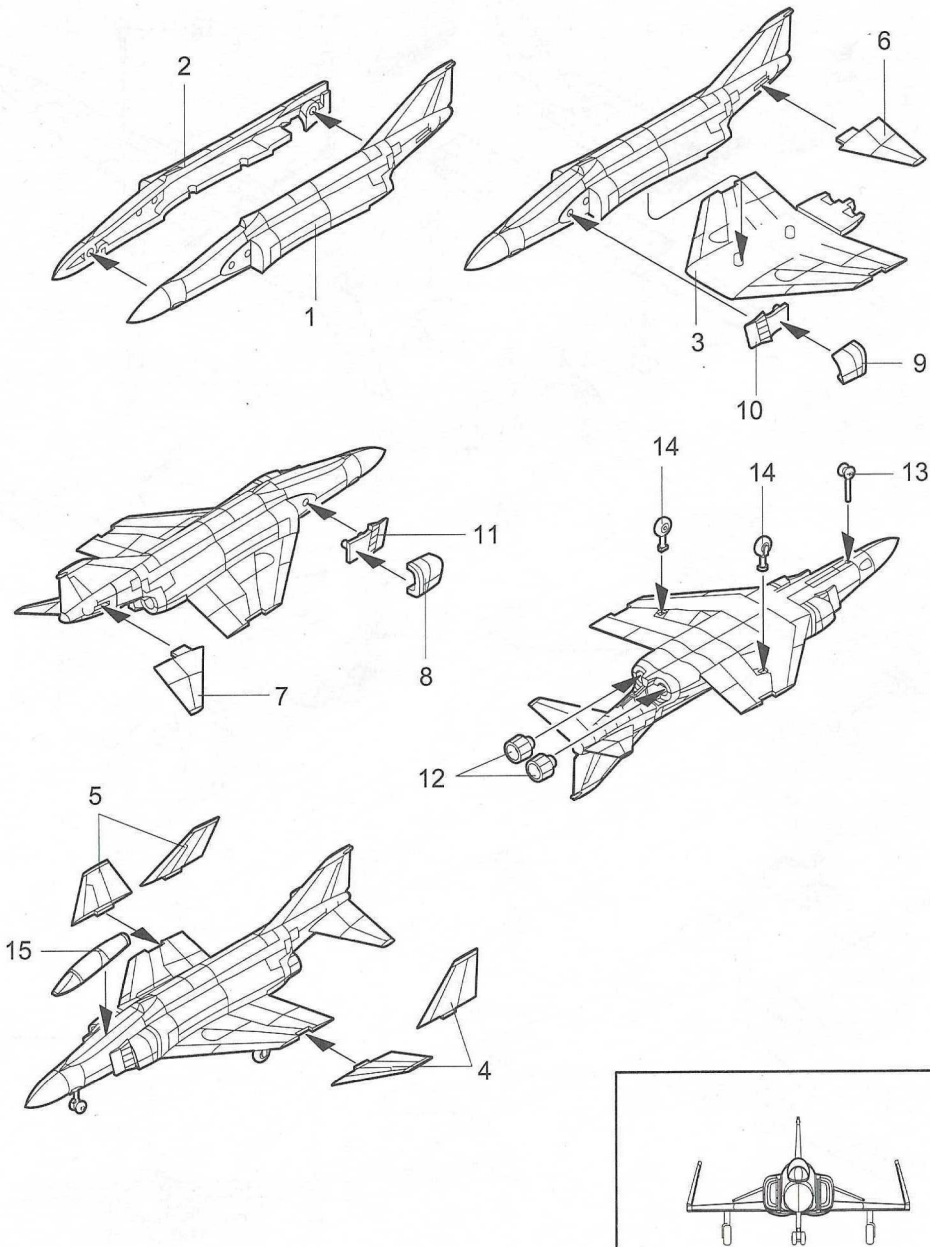
SH-3的组装
Assembly of SH-3



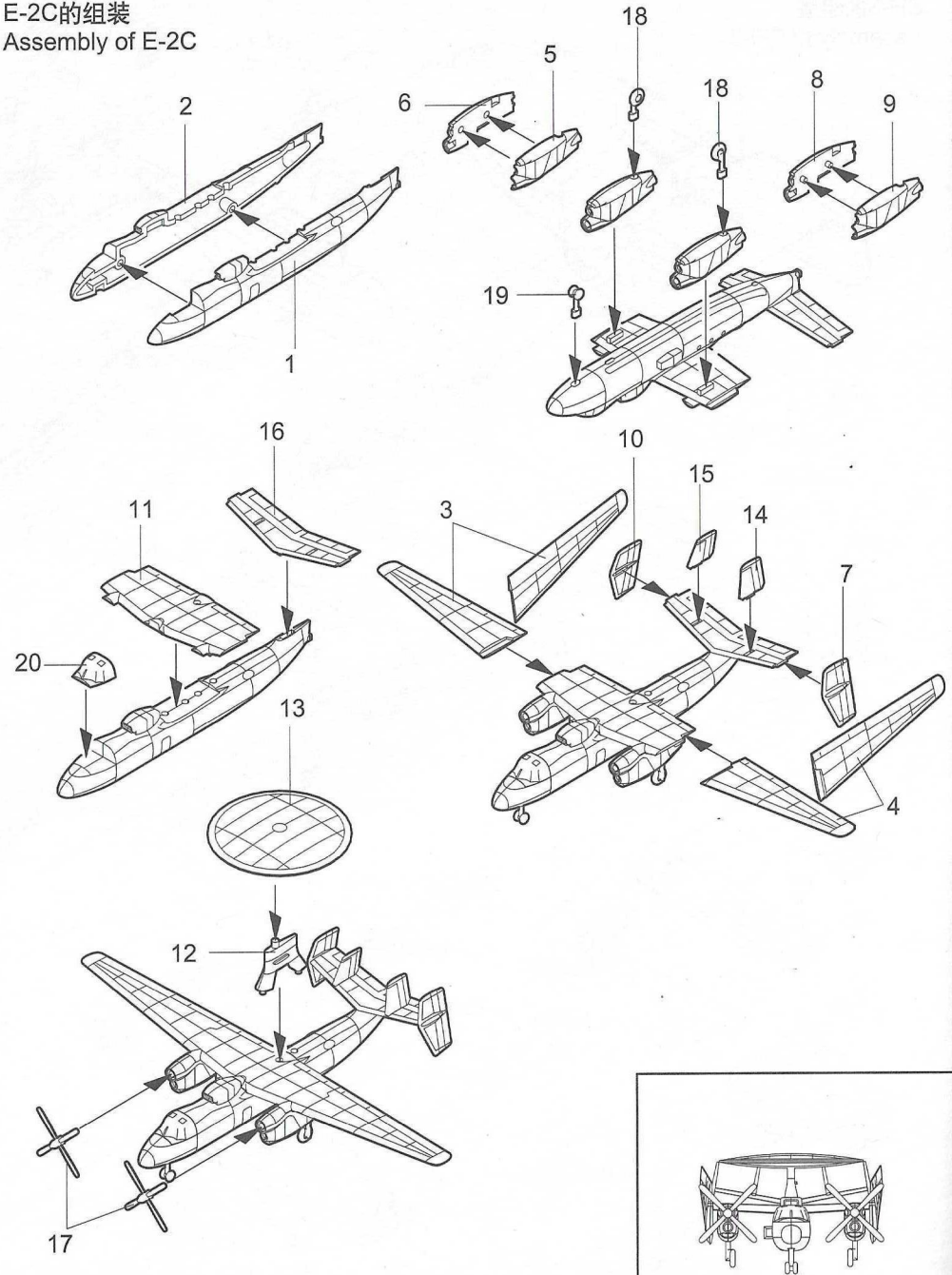
RA-5C的组装
Assembly of RA-5C



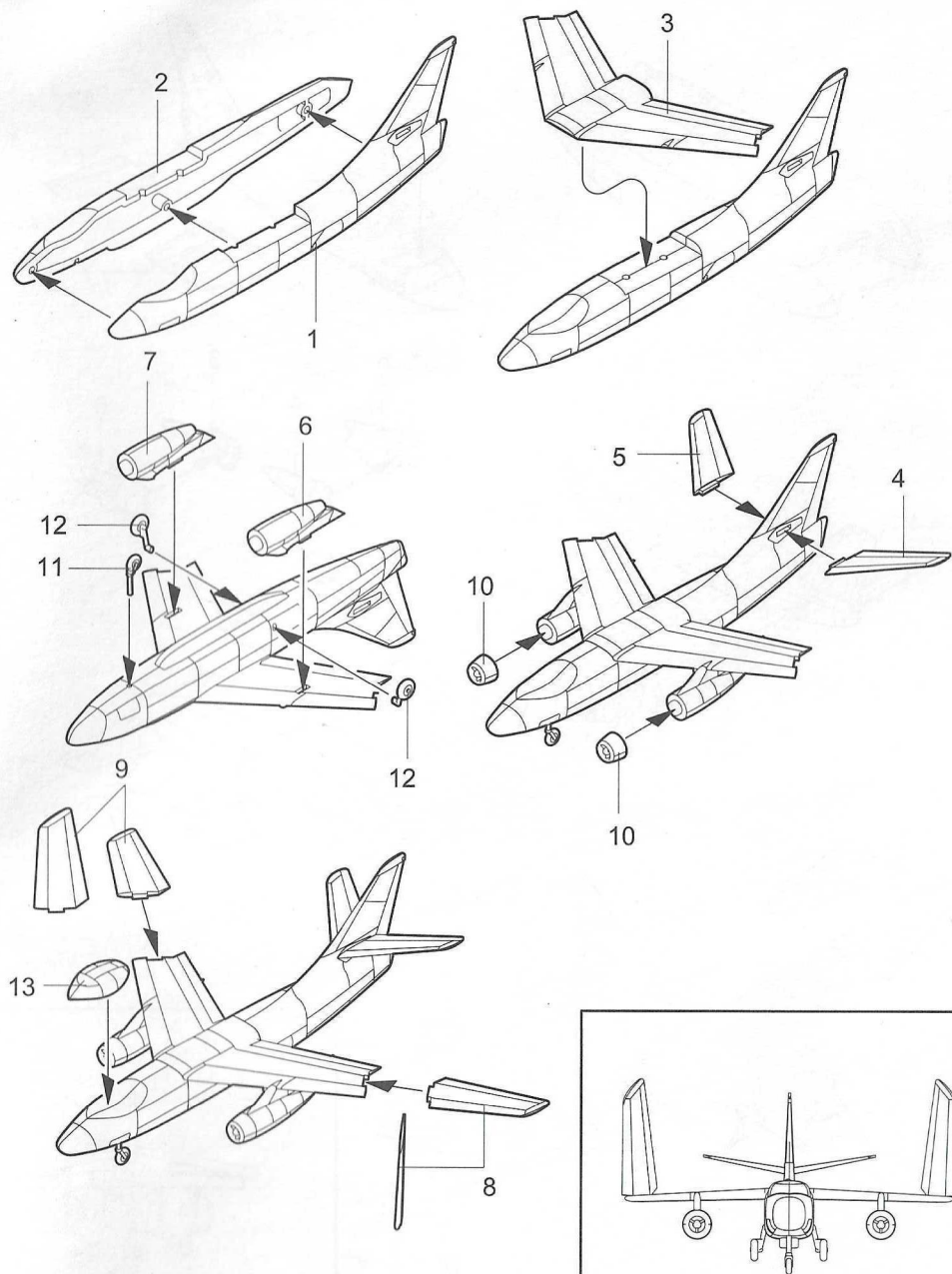
F-4J的组装
Assembly of F-4J



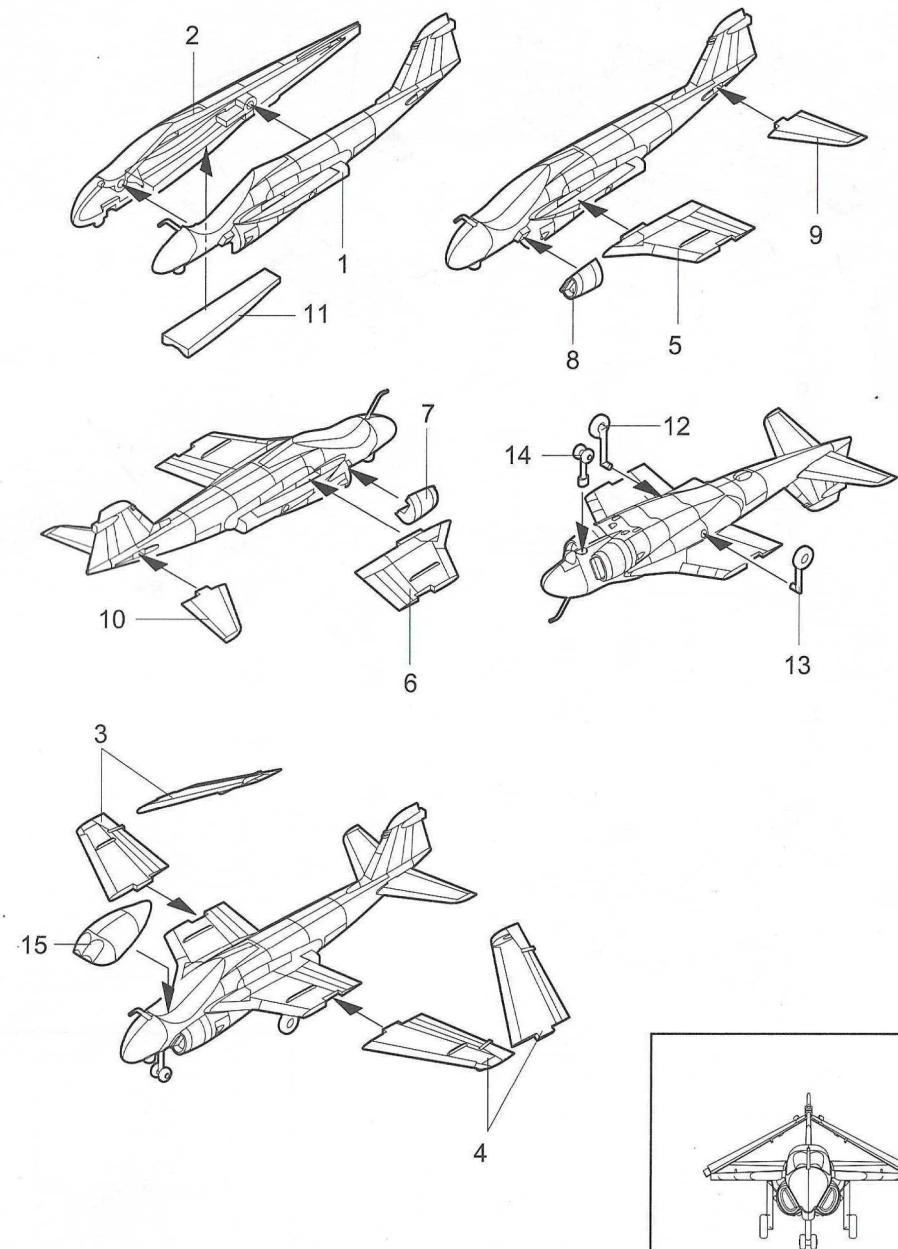
E-2C的组装
Assembly of E-2C



A-3的组装
Assembly of A-3

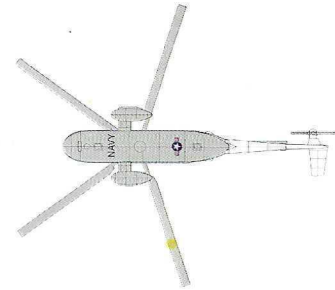
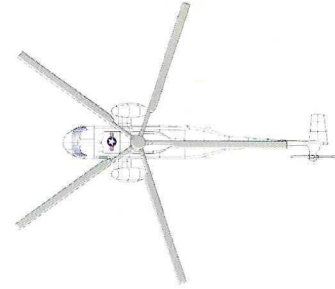
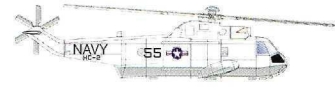
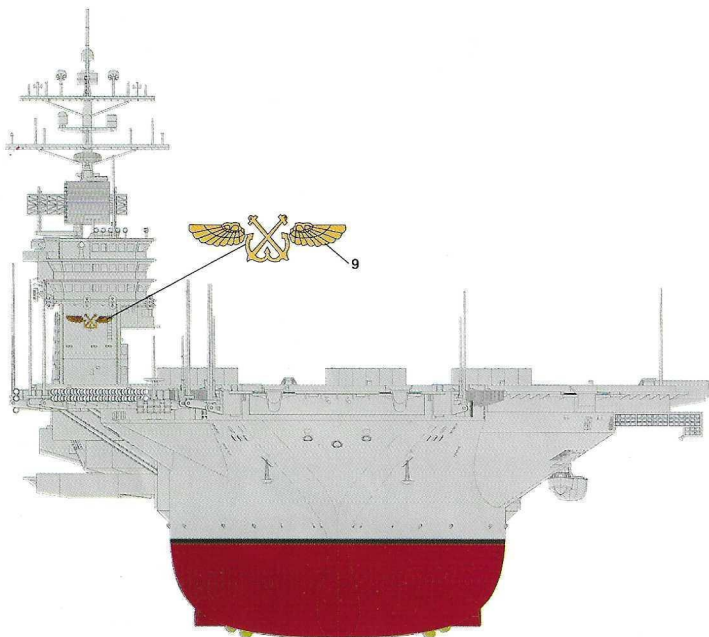
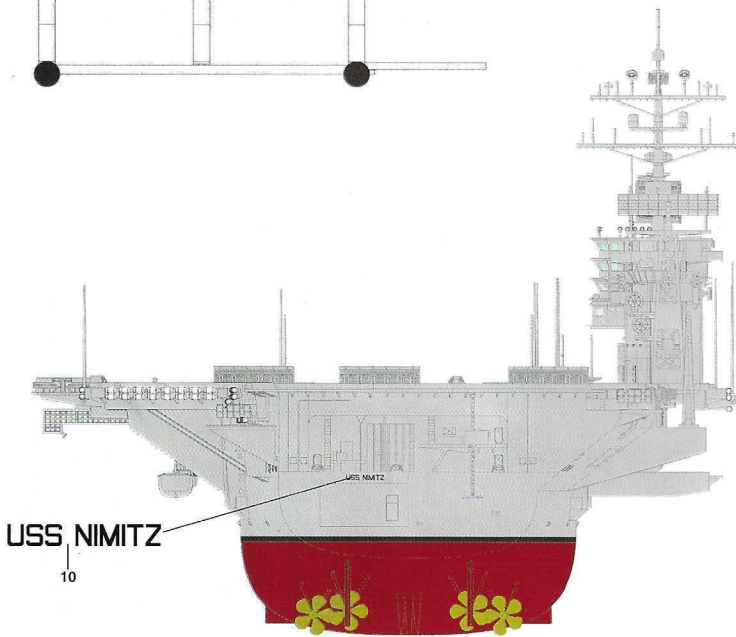
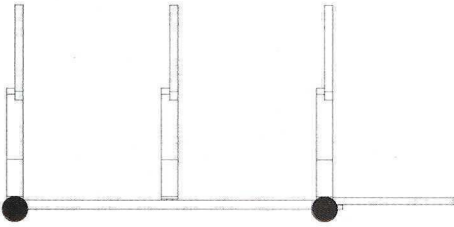
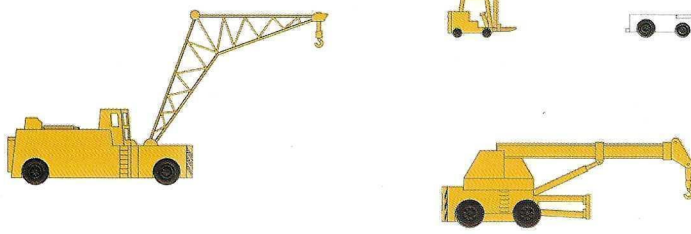


A-6E的组装
Assembly of A-6E

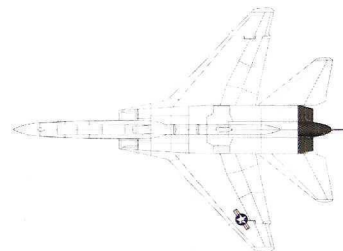
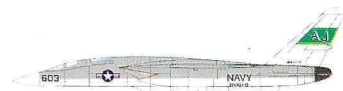
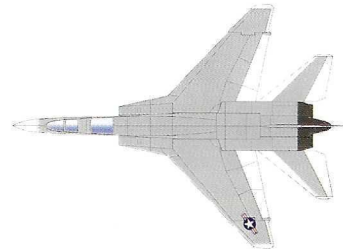
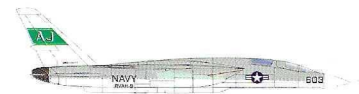


涂装同标贴指示
Painting & Marking guide

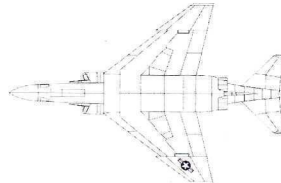
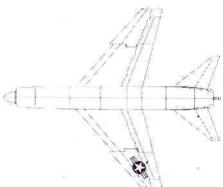
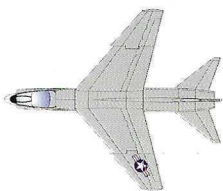
CVW-8(AJ) CVN-68 NIMITZ 1975



SH-3 Sea King of HC-2 Fleet Angels



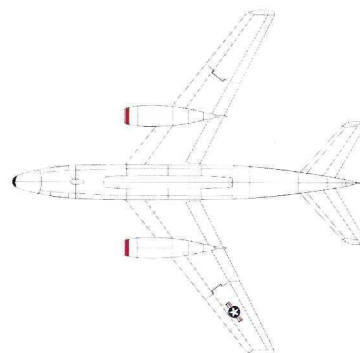
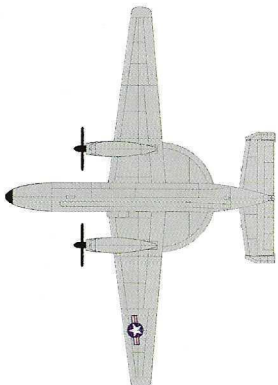
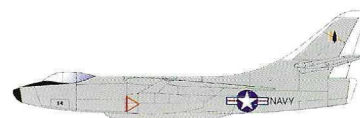
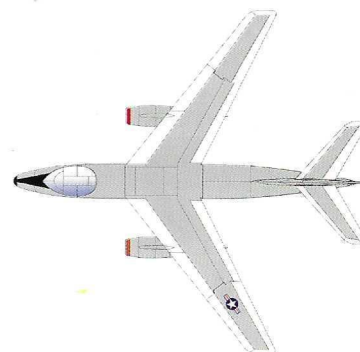
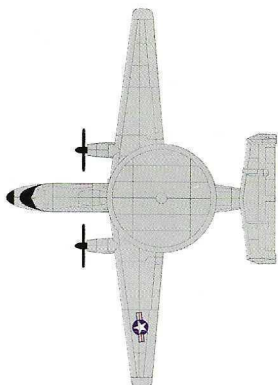
RA-5C Vigilante of RVAH-9 Hoot Owls



A-7E Corsair II of VA-86 Sidewinders

F-4J Phantom of VMFA-333 Shamrocks

S-3A Viking of VS-24 Scouts



EA-3B Skywarrior of VA-35 Black Panthers

E-2C Hawkeye of VAW-116 Sun Kings

EA-3B Skywarrior of VQ-2 Batmen



FS33448
Light
Stone



FS30061
Cocoa
Brown



FS37875
Matt White



FS37038
Flat Black



FS36375
Light Compass
Grey



FS32160
Orange



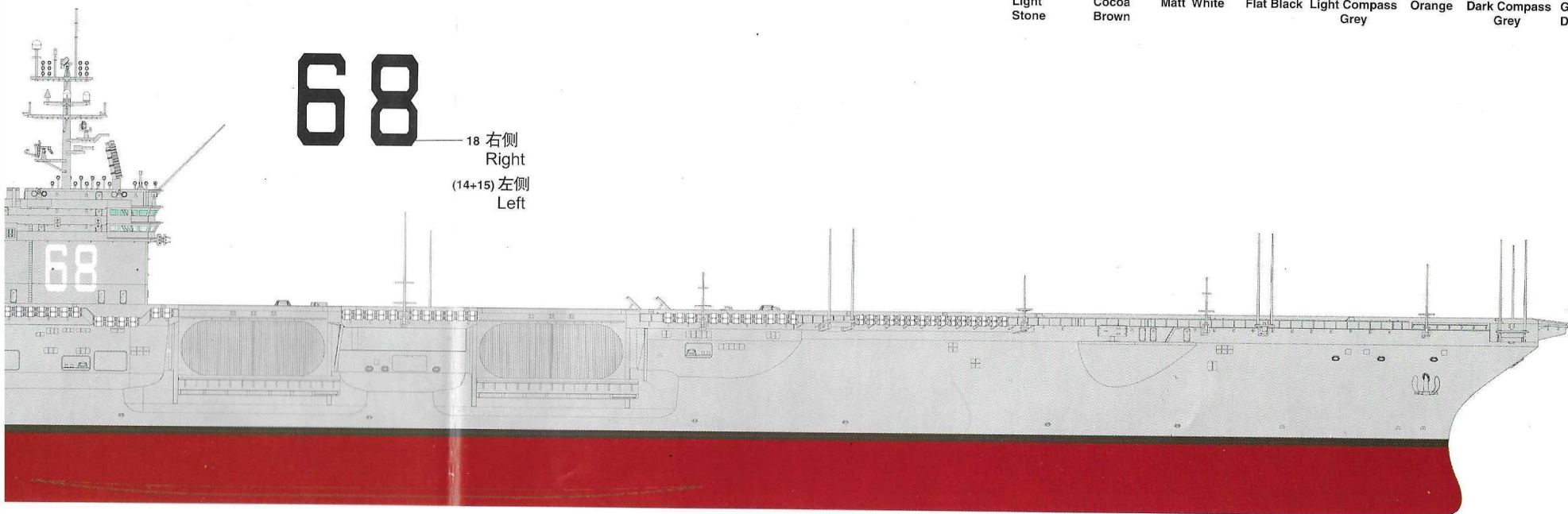
FS36320
Dark Compass
Grey



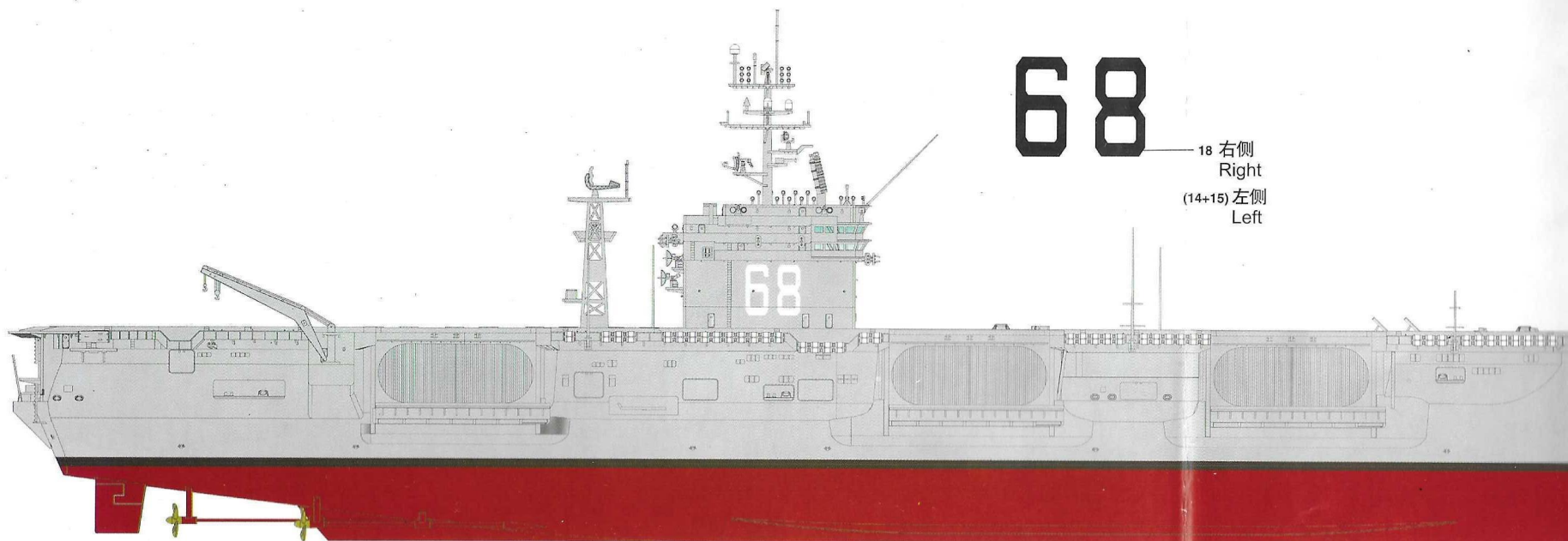
FS36081
Gunship
DK. Grey

68

—18 右侧
Right
(14+15) 左侧
Left

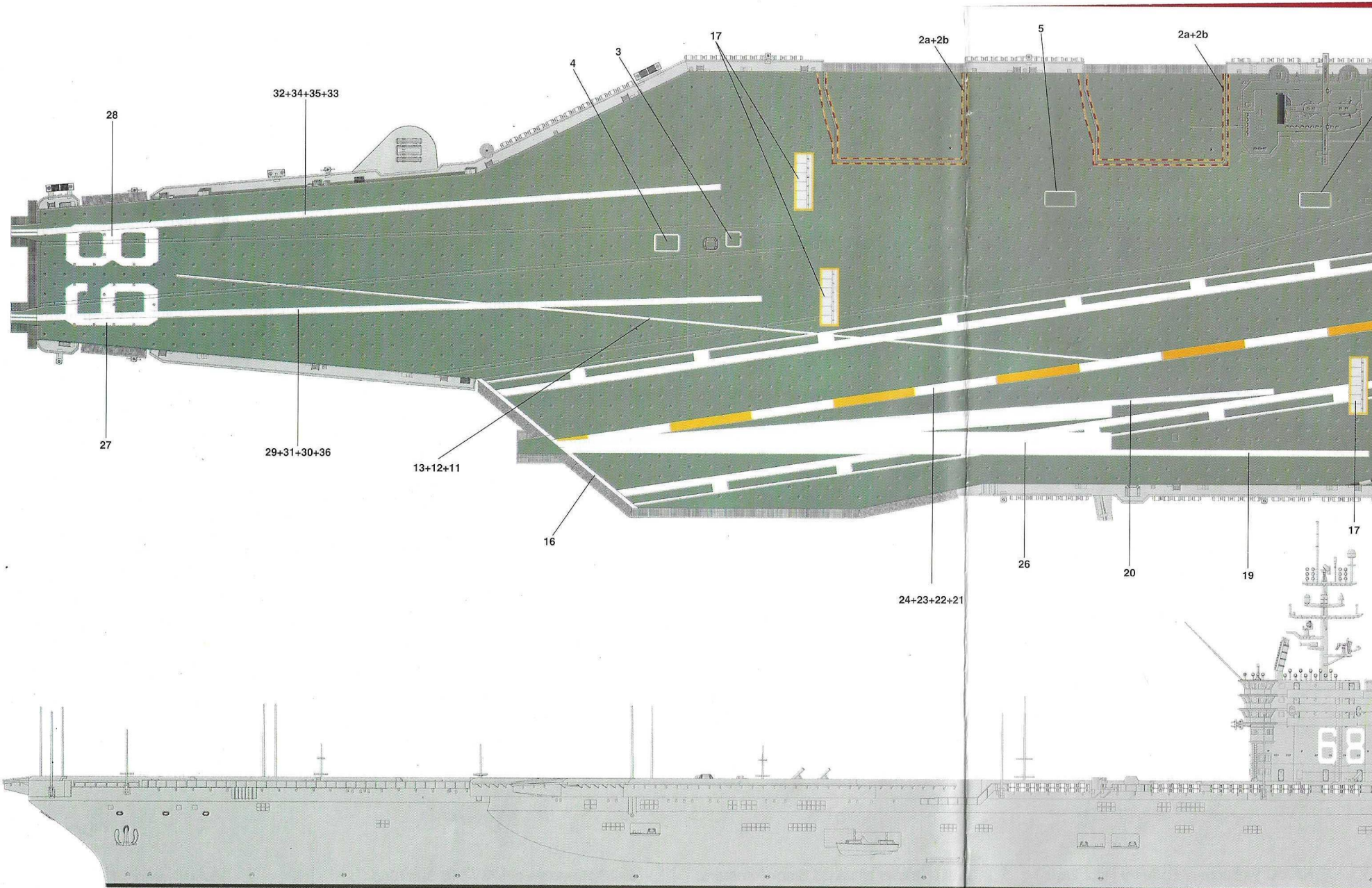


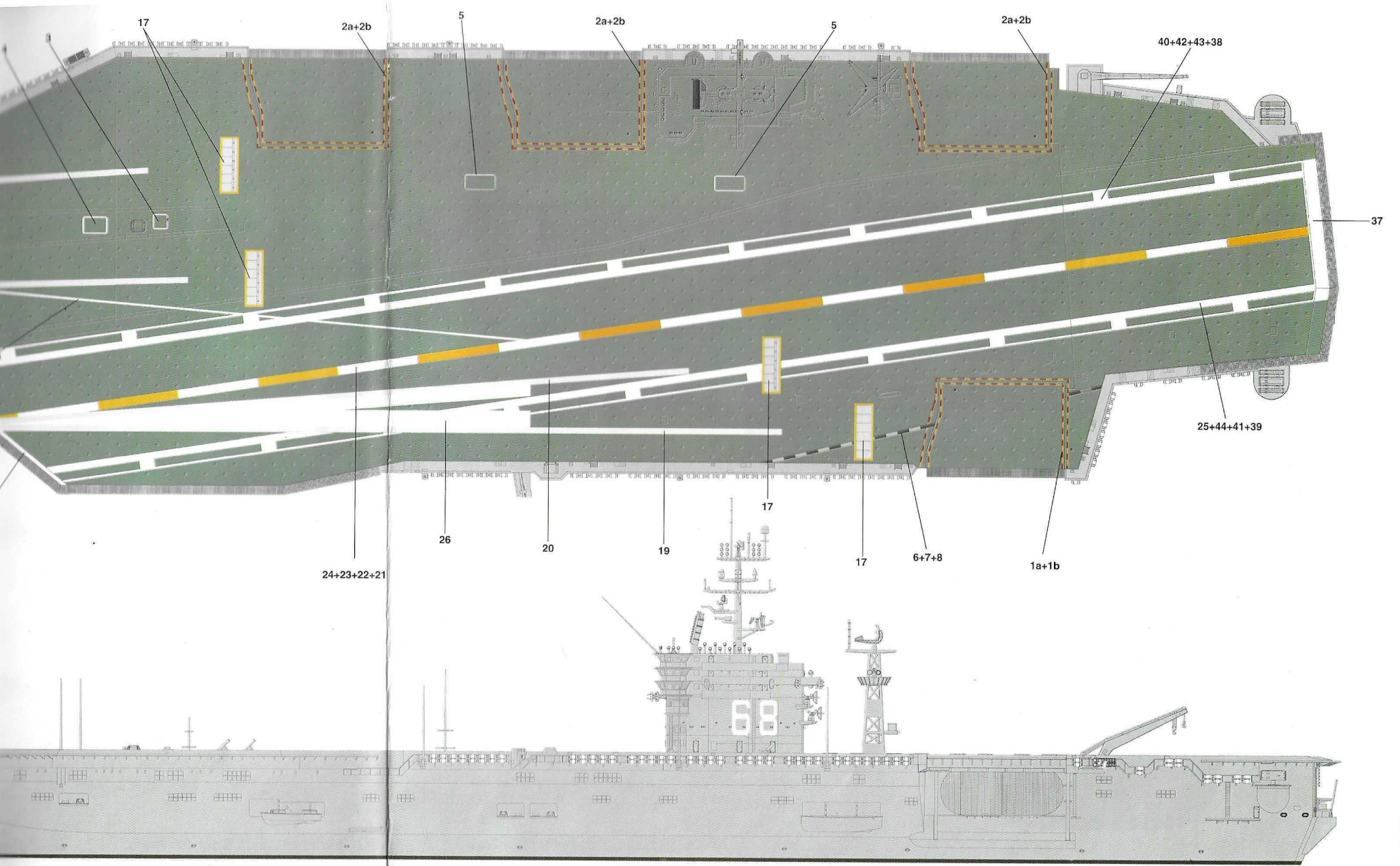
涂装同标贴指示
Painting & Marking guide



68

18 右侧
Right
(14+15) 左侧
Left





17

2a+2b

5

2a+2b

5

2a+2b

40+42+43+38

37

25+44+41+39

24+23+22+21

26

20

19

17

17

6+7+8

1a+1b

68