

# USSR Admiral Kuznetsov Aircraft Carrier

## 1:350 Scale

## 俄罗斯“库兹涅佐夫”航空母舰

### READ BEFORE ASSEMBLY

- Study and understand these instructions thoroughly before beginning assembly. Make sure all parts are included by comparing them to those shown on pages 2 to 5 of these instructions.
- Remove parts from sprues as needed, and trim excess with a hobby knife. Be careful not to lose small parts.
- Remove photo-etch parts from sprue as needed using a hobby knife or photo etch cutter.
- Apply cement to photo etch parts as shown on instructions. Applying too much cement will restrict the operation of these

movable parts. Apply cement carefully! Removed photo etch parts can have sharp edges. Take care when handling these to avoid injury.

- Apply decals to necessary parts prior to assembly.
- Additional tools recommended(not included):Sprue cutter, Long nose pliers, hobby knife, file, tweezers, pin vise, scissors, cement, sandpaper, soft cloth, glue and paint.
- Keep all parts out of reach of children, as they pose a choking hazard. Discard all unnecessary bags and sprues when model is completed to avoid accidental injury.

### 装配之前仔细阅读

- 小心用模型锉刀锉平所有零件表面的注射浇口。
- 小心用刀片切下蚀刻片零件，不要遗失小零件。
- 用强力快干胶水粘合蚀刻片零件和金属轴。过量的快干胶水使用可能导致可动零件会粘住，小心涂胶。
- 取蚀刻片时应特别注意安全，防止利刃划伤手指。
- 某些零件表面需贴上水贴纸，请选择在装配的同时进行。
- 推荐模型工具(自备)：胶水，水口剪刀，长咀钳，刀片，锉刀，镊子钳，钻，剪刀，瞬间快干胶。
- 软布同砂纸同时也应该是必备工具。
- 请使用塑料胶水和油漆，模型内不含。
- 谨防小孩吸吮塑料零件，或者将塑料袋套在头上，制作时应将套材远离小孩接触。

### 水贴纸的使用:

1. 从水贴纸上剪下印花;
2. 将印花放入温水中浸10秒, 然后放在干净布上。
3. 拿着印花纸板将印花移到模型上;
4. 手指蘸水将印花移到适当的位置;
5. 用软布轻压印花直至水干, 气泡消失。

### DECAL APPLICATION

1. Cut off decal from sheet.
2. Dip the decal in tepid water 40°C for about 10 sec. and place on a clean cloth.
3. Hold the backing sheet edge and slide decal onto the model.
4. Move decal into position by wetting decal with finger.
5. Press decal gently down with a soft cloth until excess water and air bubbles are gone.



cyanoacrylate glue  
使用强力胶



weight  
配重



make hole  
钻孔



cut / remove  
切除



option  
选择



no cement  
不涂胶水



decal  
贴纸



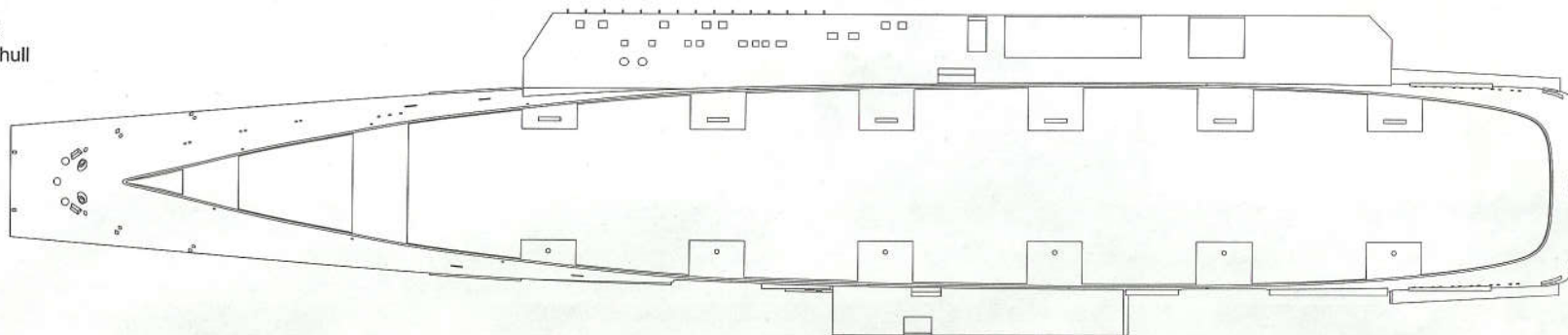
bend  
弯曲



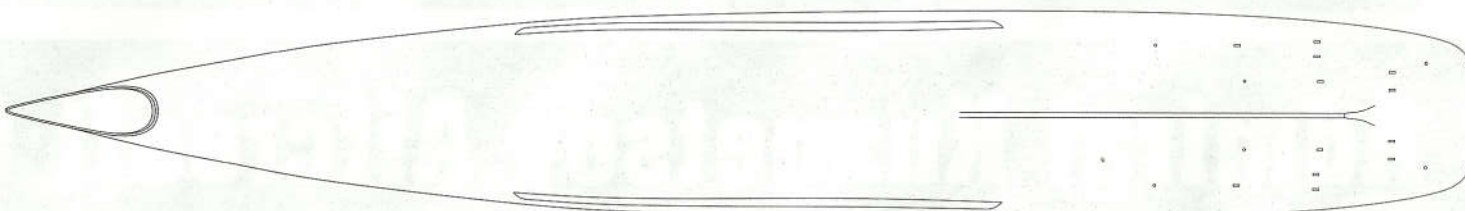
file / sand  
锉平

部品图 Parts

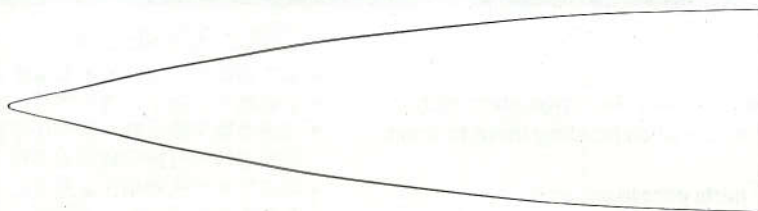
上船体  
Upper hull



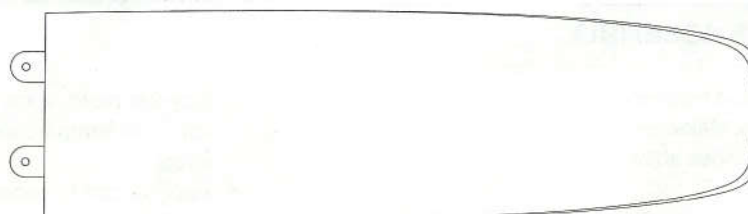
下船底  
Lower hull



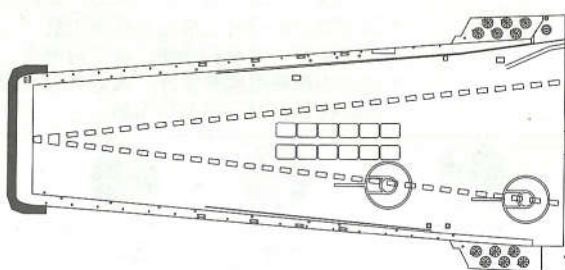
前水线板  
Fore waterline plate



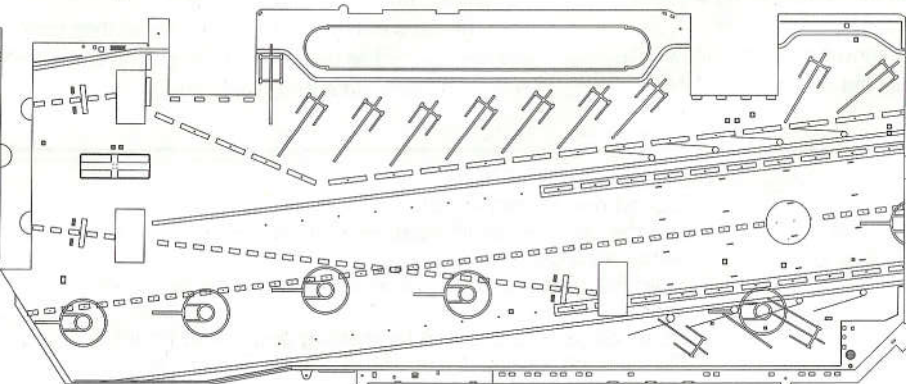
后水线板  
Rear waterline plate



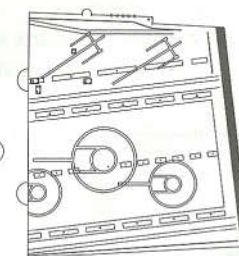
前飞行甲板  
Fore flight deck



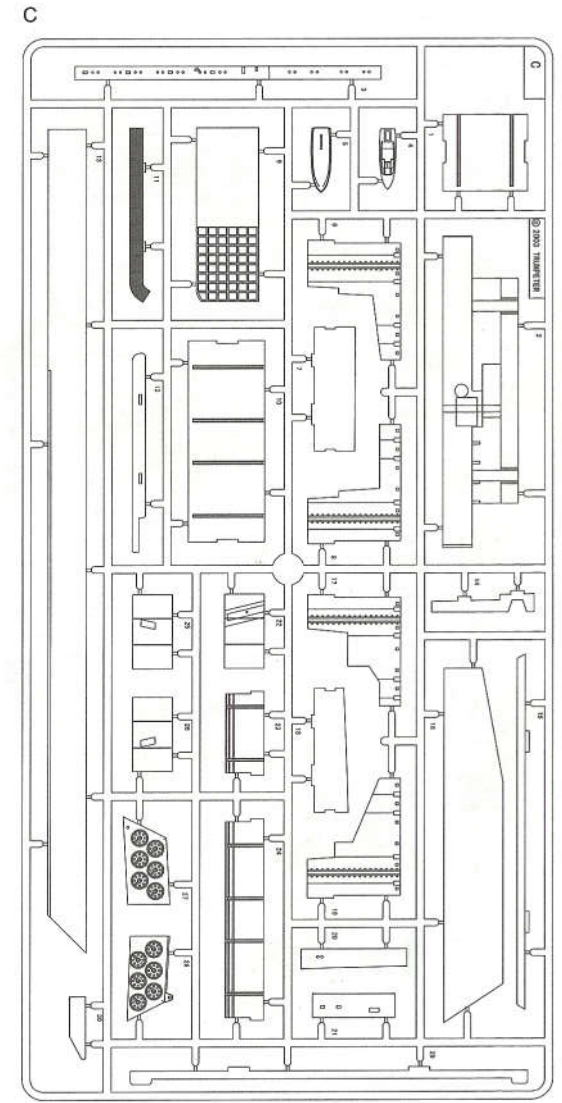
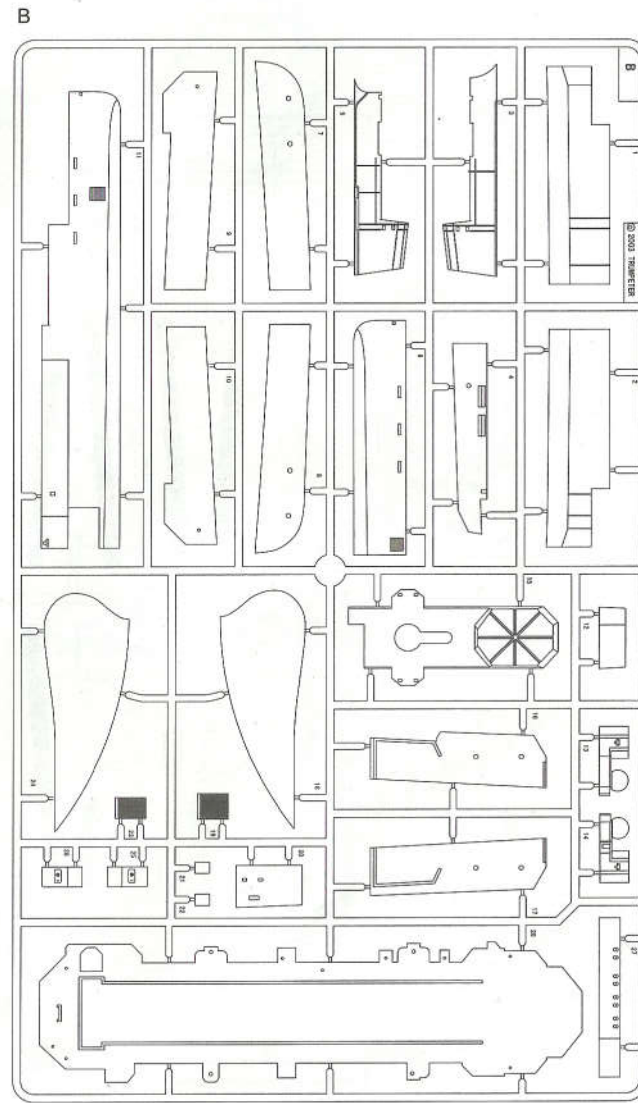
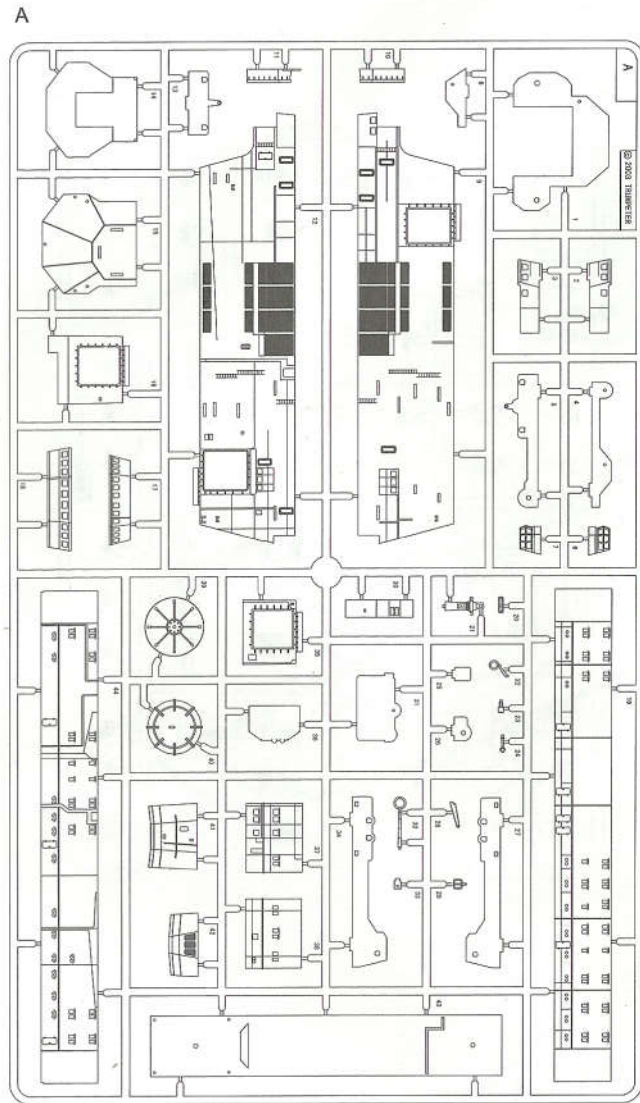
中间飞行甲板  
Center flight deck



后飞行甲板  
Aft flight deck

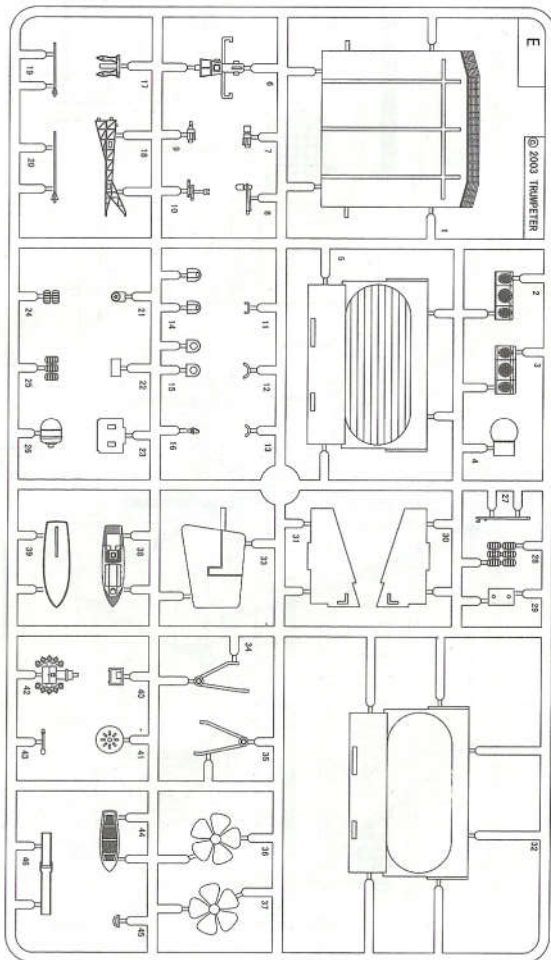


# 部品图 Parts

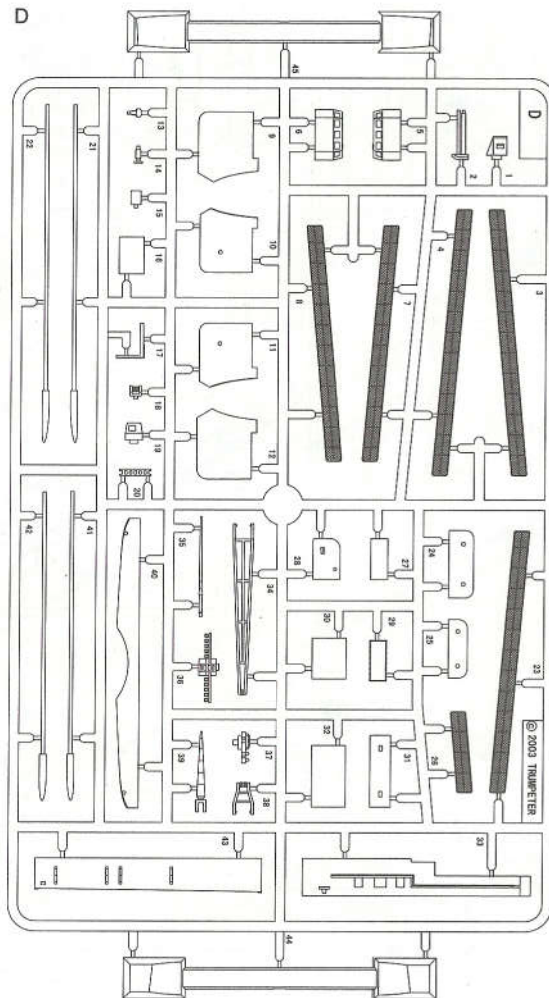


# 部品图 Parts

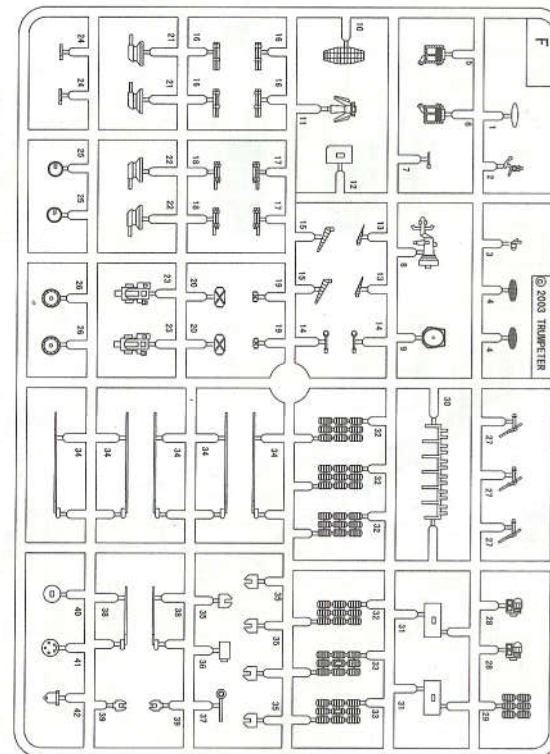
EX2



D

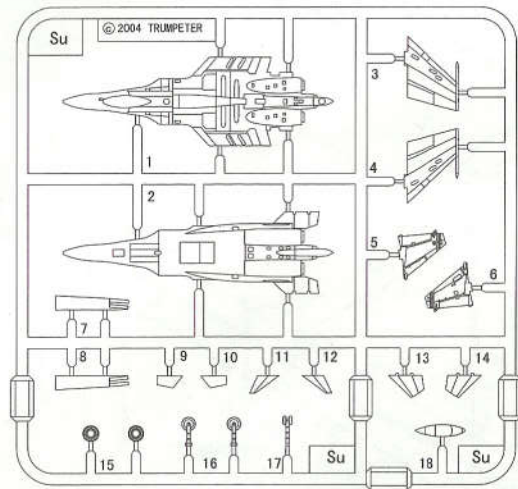


Fx4

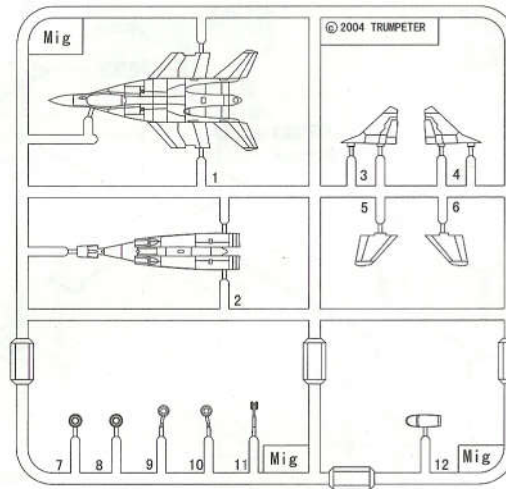


# 部品图 Parts

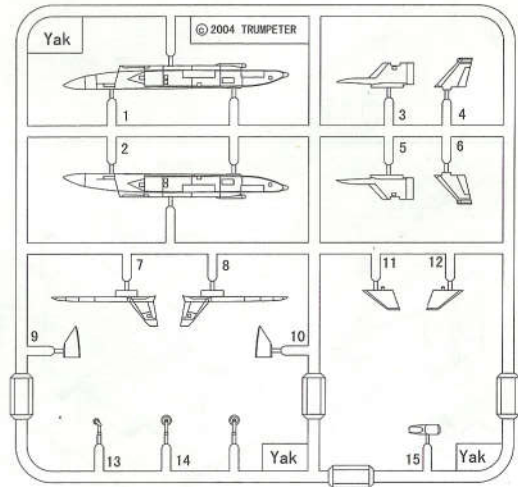
Su×6



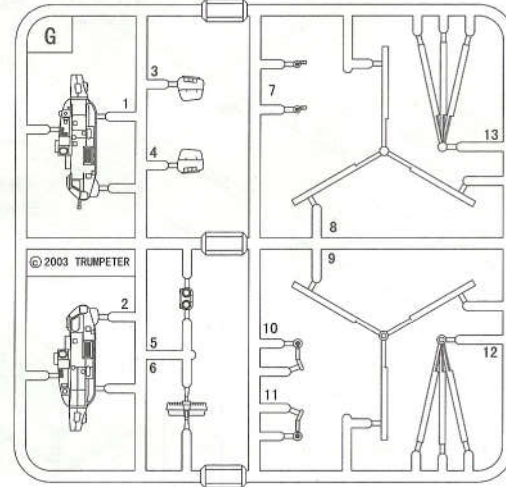
Mig×2



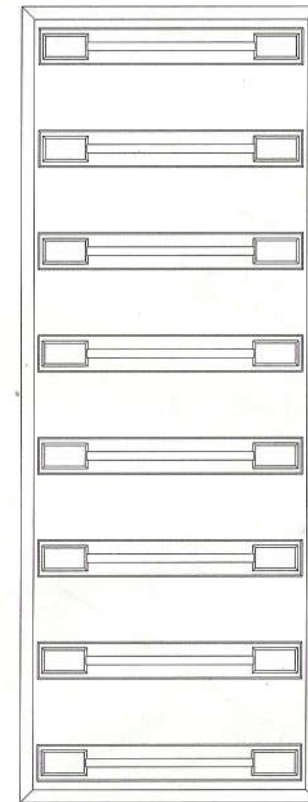
Yak×4



G×4



座架  
Stand



铭牌  
Name plate

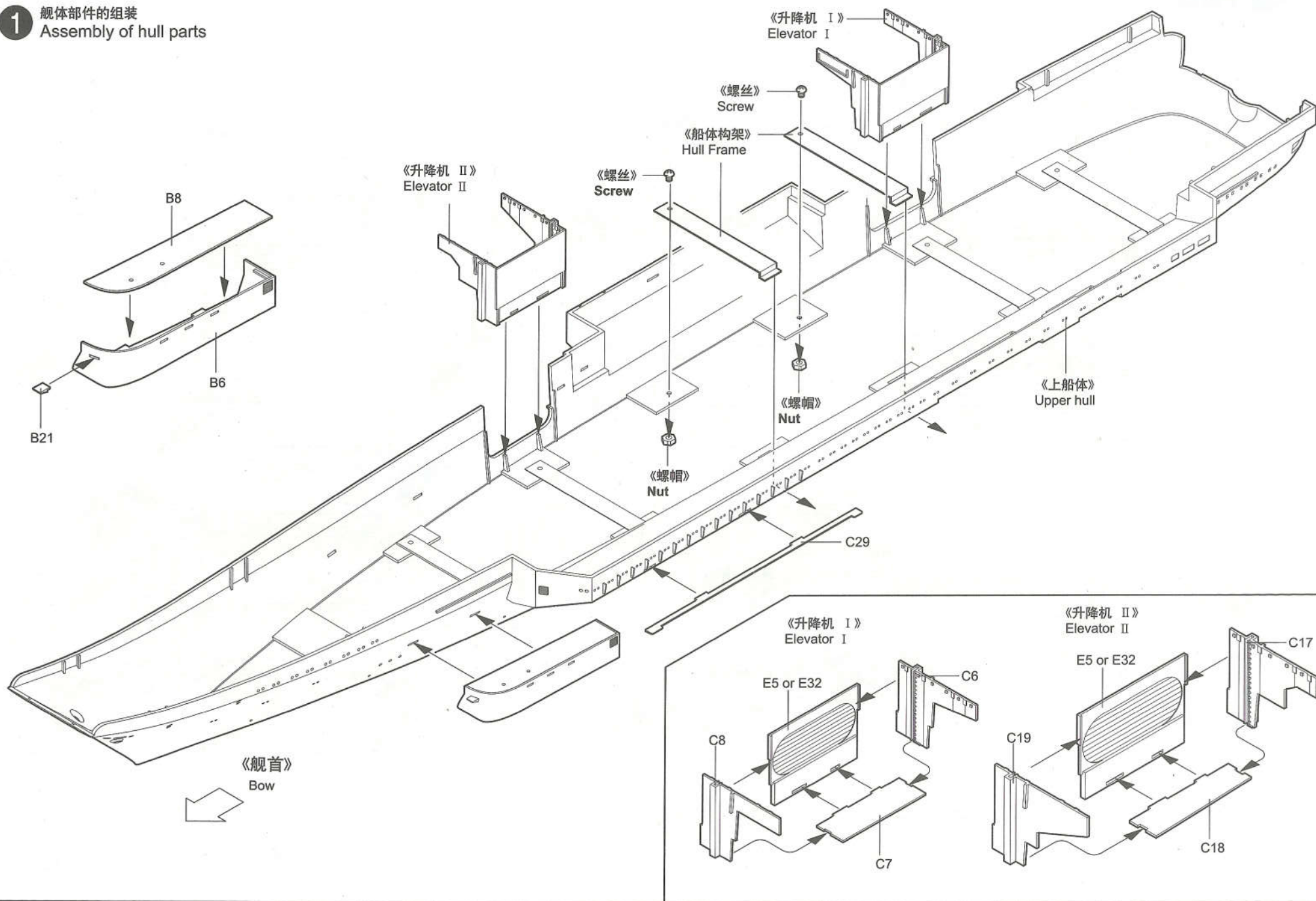


金属支撑片  
Metal support  6 pcs

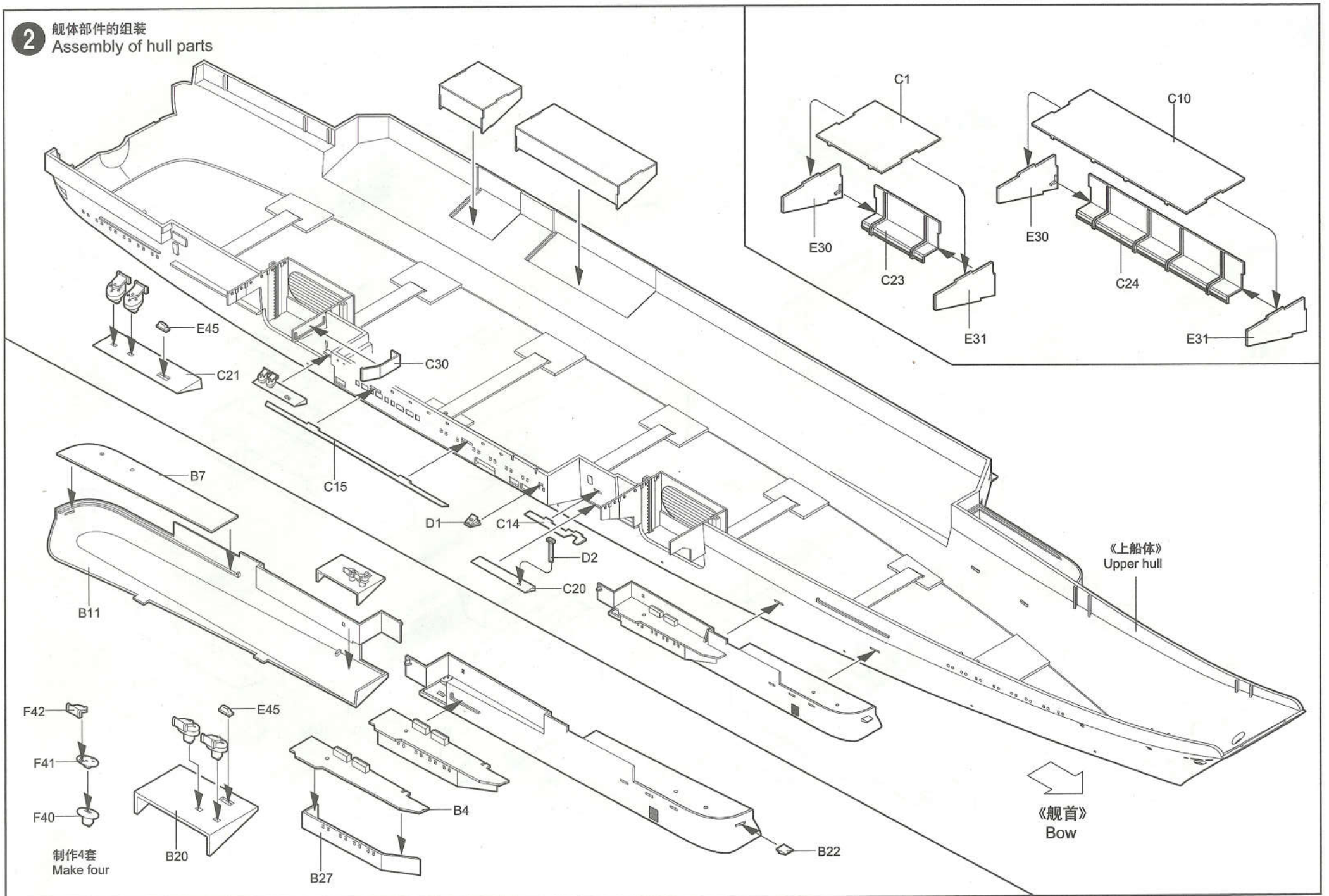
螺帽  
Nut M 2.0 x 2 mm 12 pcs

螺丝  
Screw PM 2.0 x 4.8 mm 12 pcs

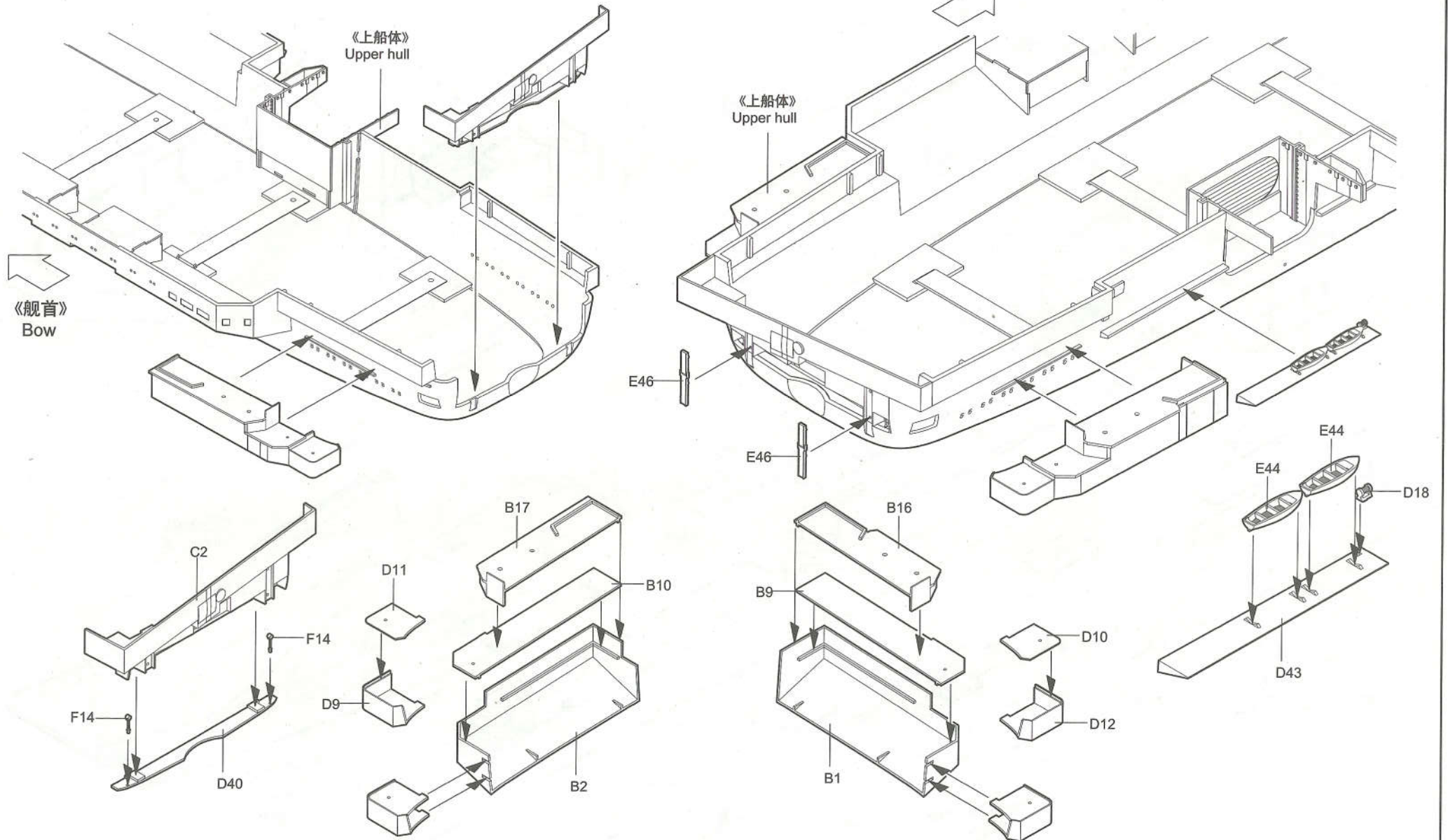
**1** 舰体部件的组装  
Assembly of hull parts



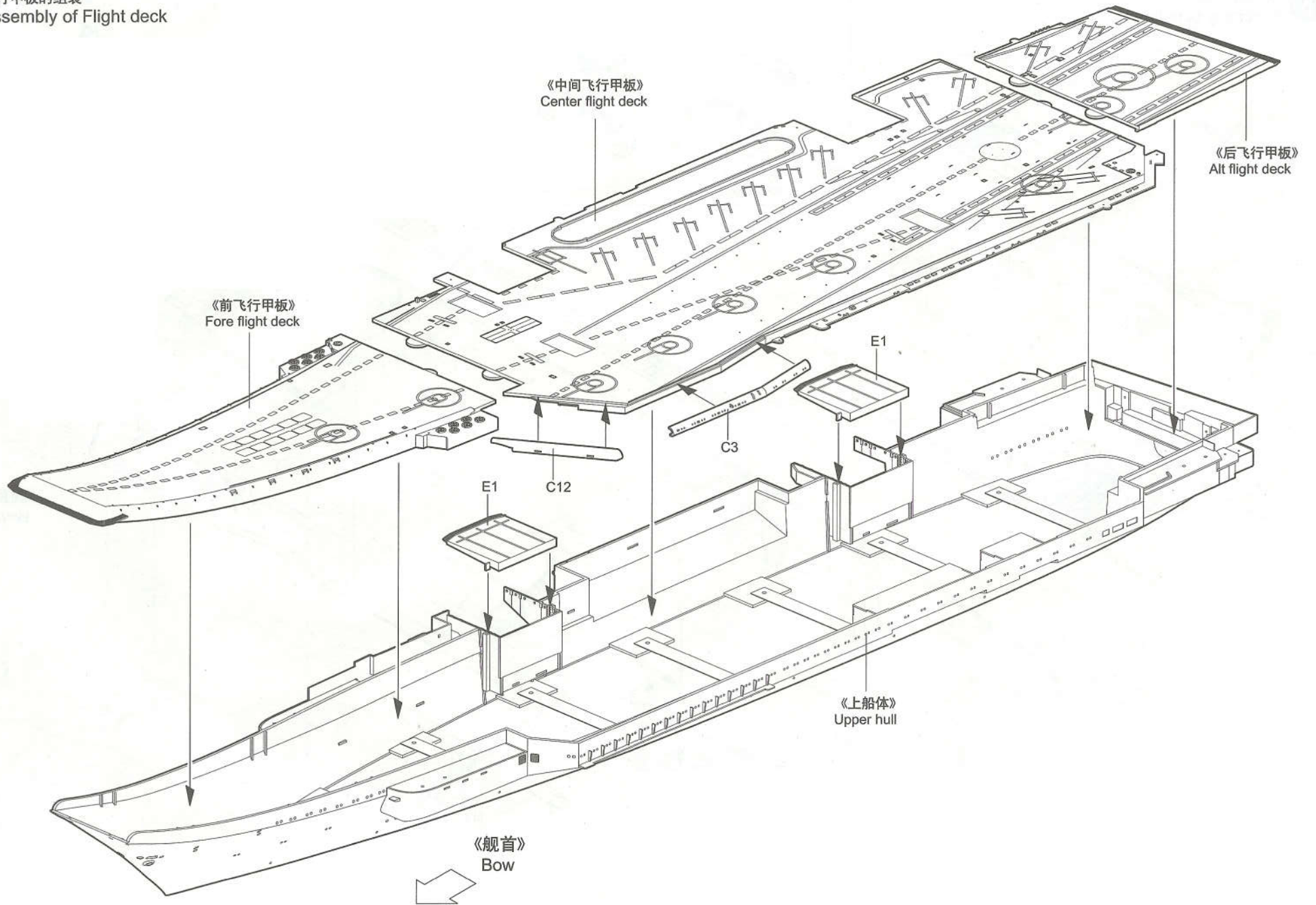
**2** 舰体部件的组装  
Assembly of hull parts



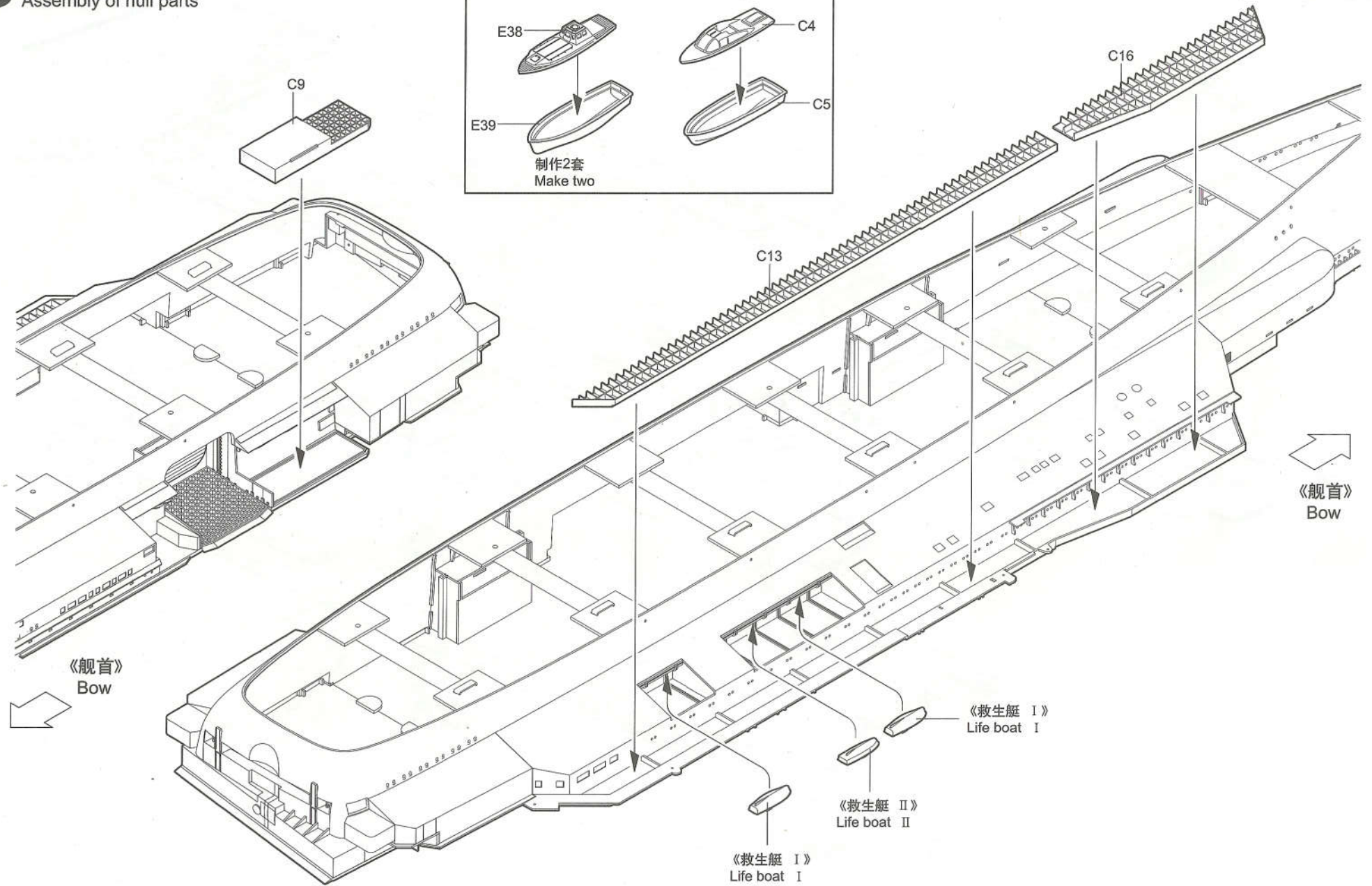
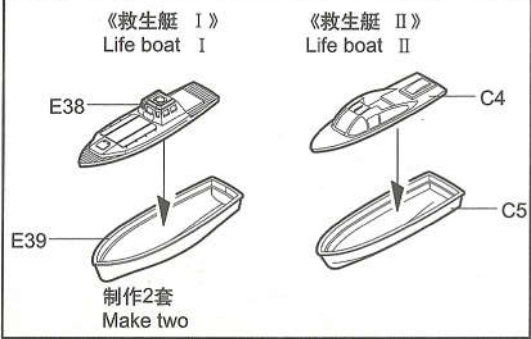
**3** 舰尾部件的组装  
Assembly of stern



4 飞行甲板的组装  
Assembly of Flight deck

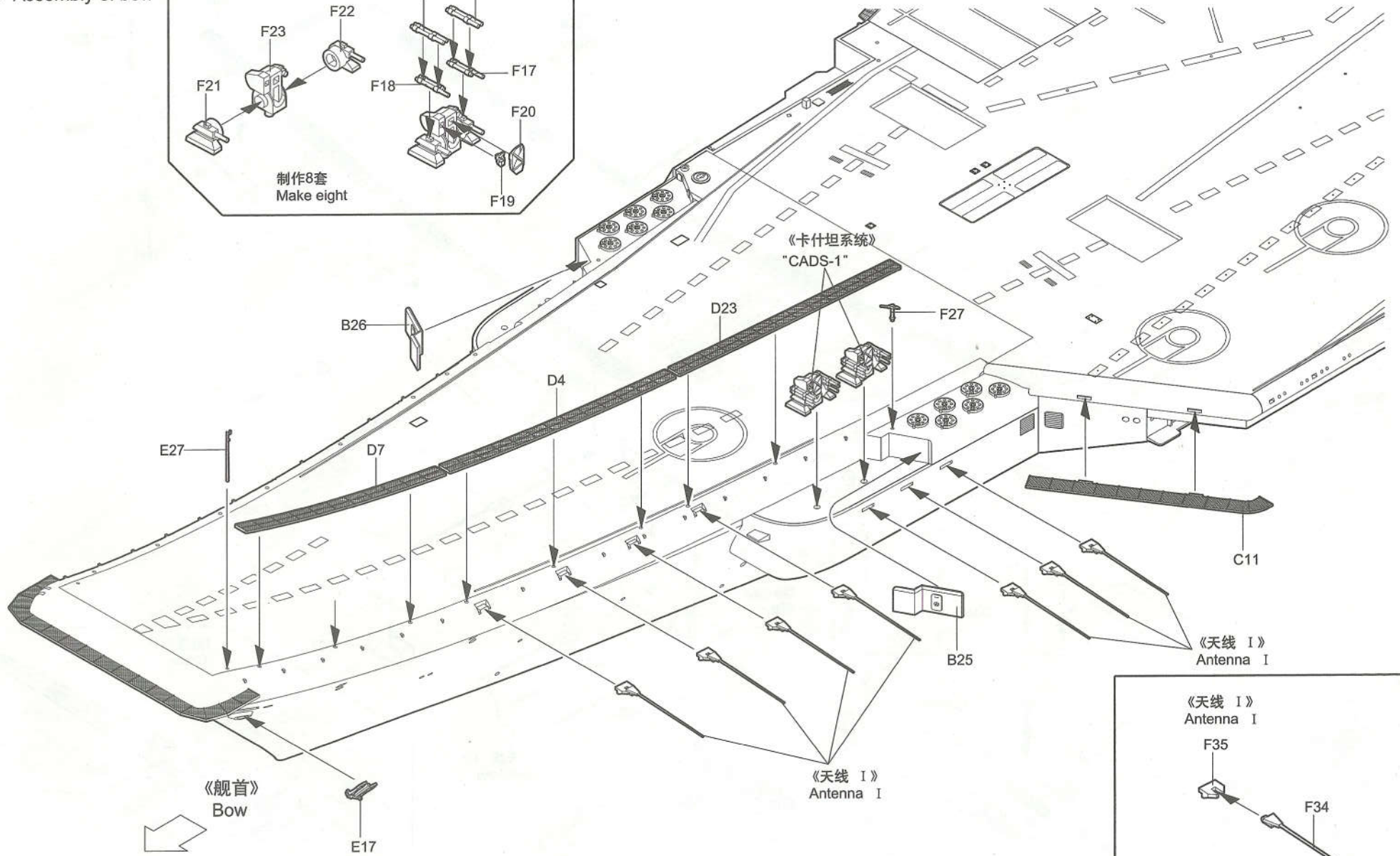
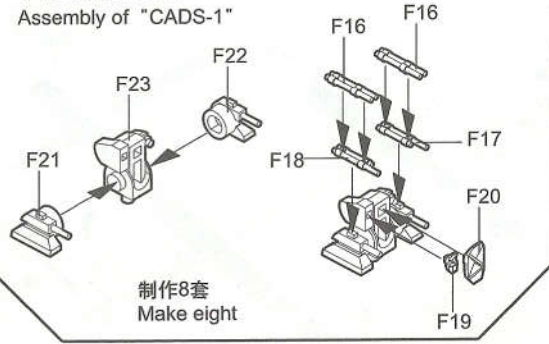


**5** 舰体部件的组装  
Assembly of hull parts

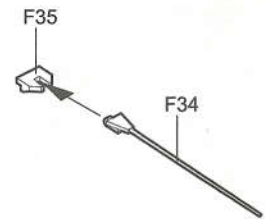


**6** 舰首部件的组装  
Assembly of bow

卡什坦系统的组装  
Assembly of "CADS-1"

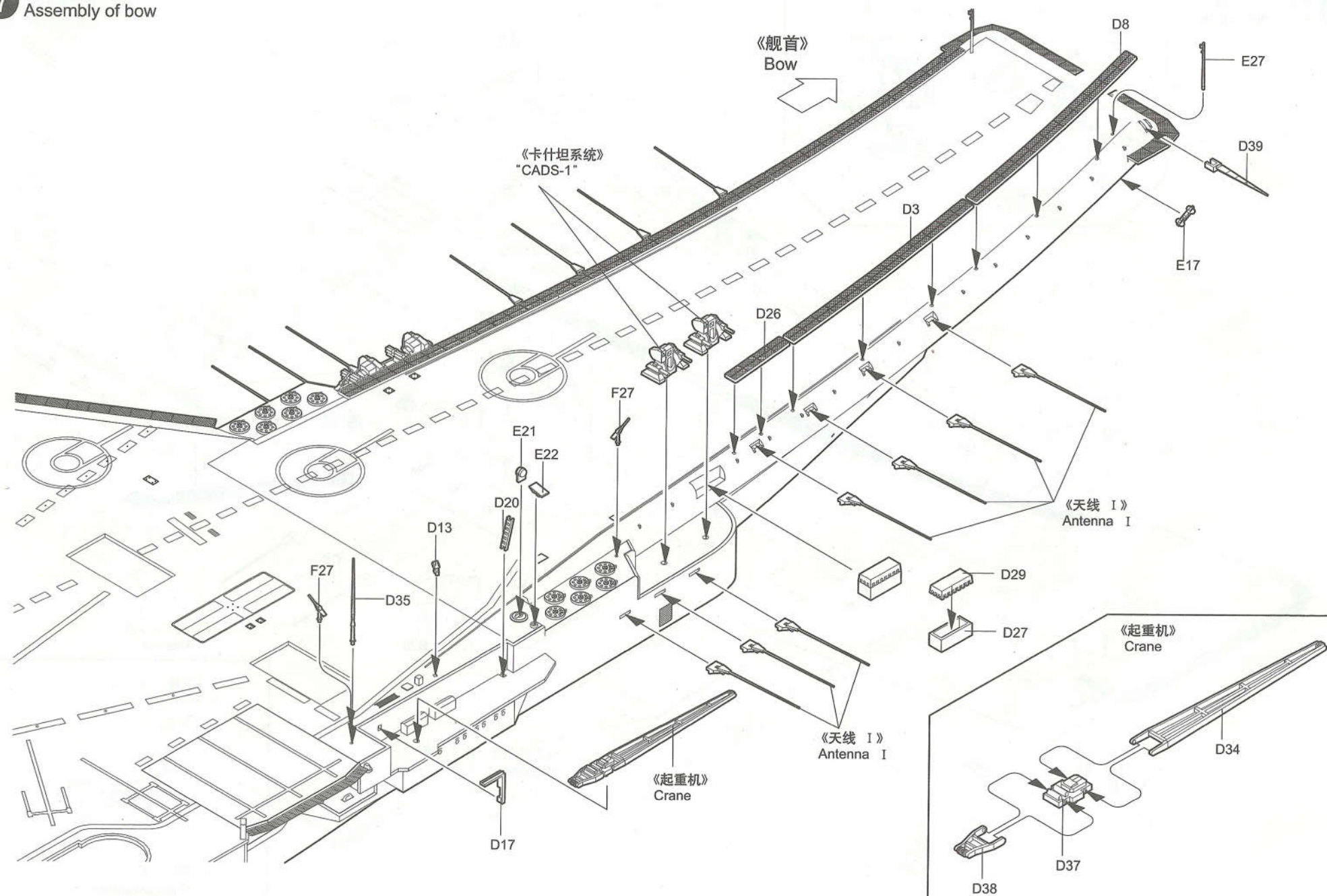


《天线 I》  
Antenna I

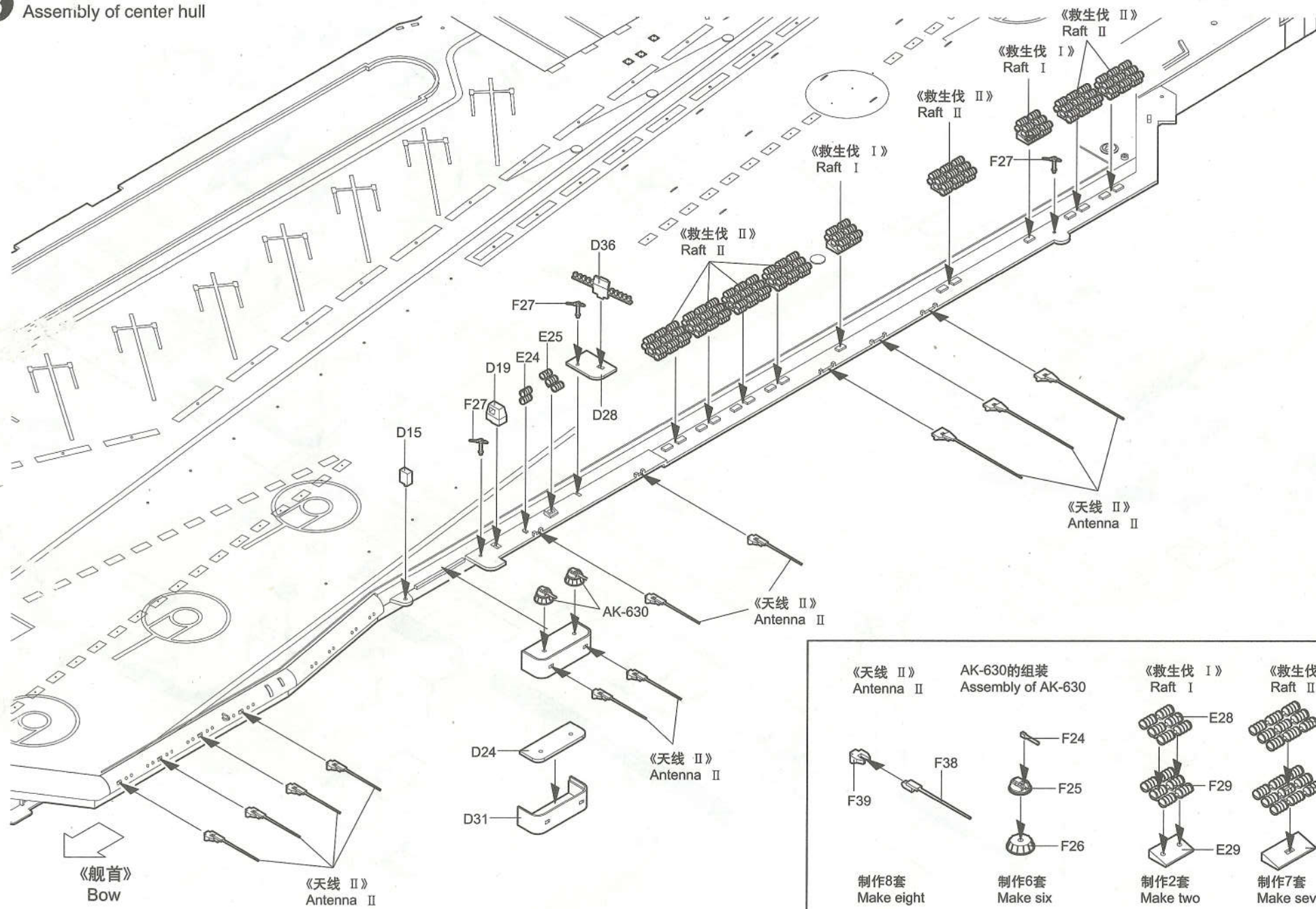


制作17套  
Make seventeen

7 舰首部件的组装  
Assembly of bow



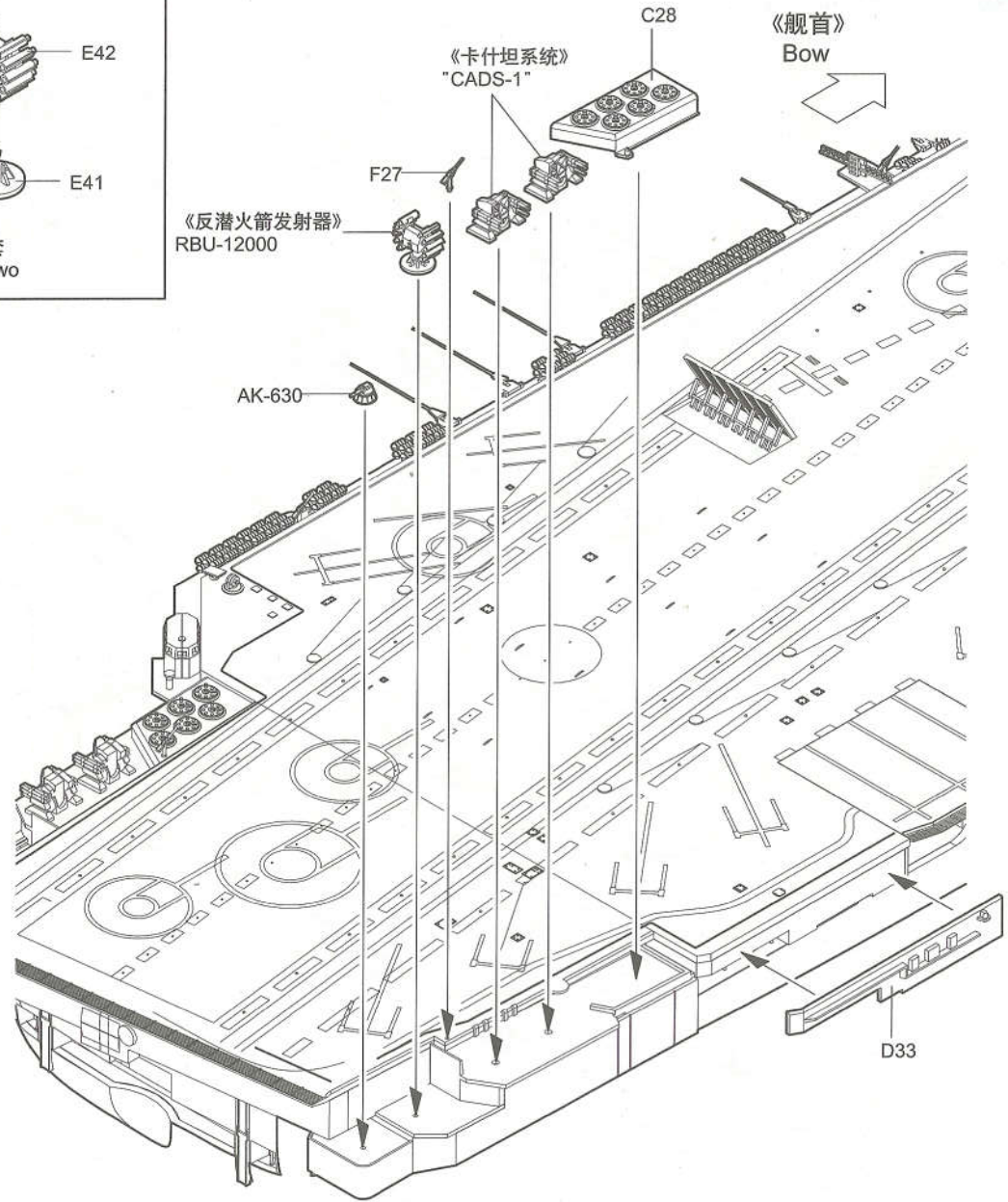
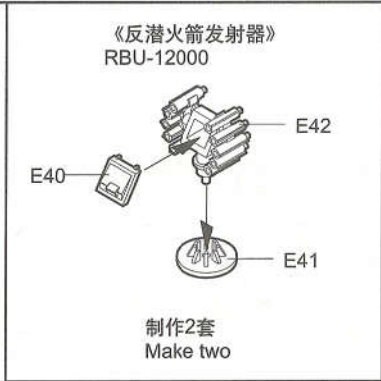
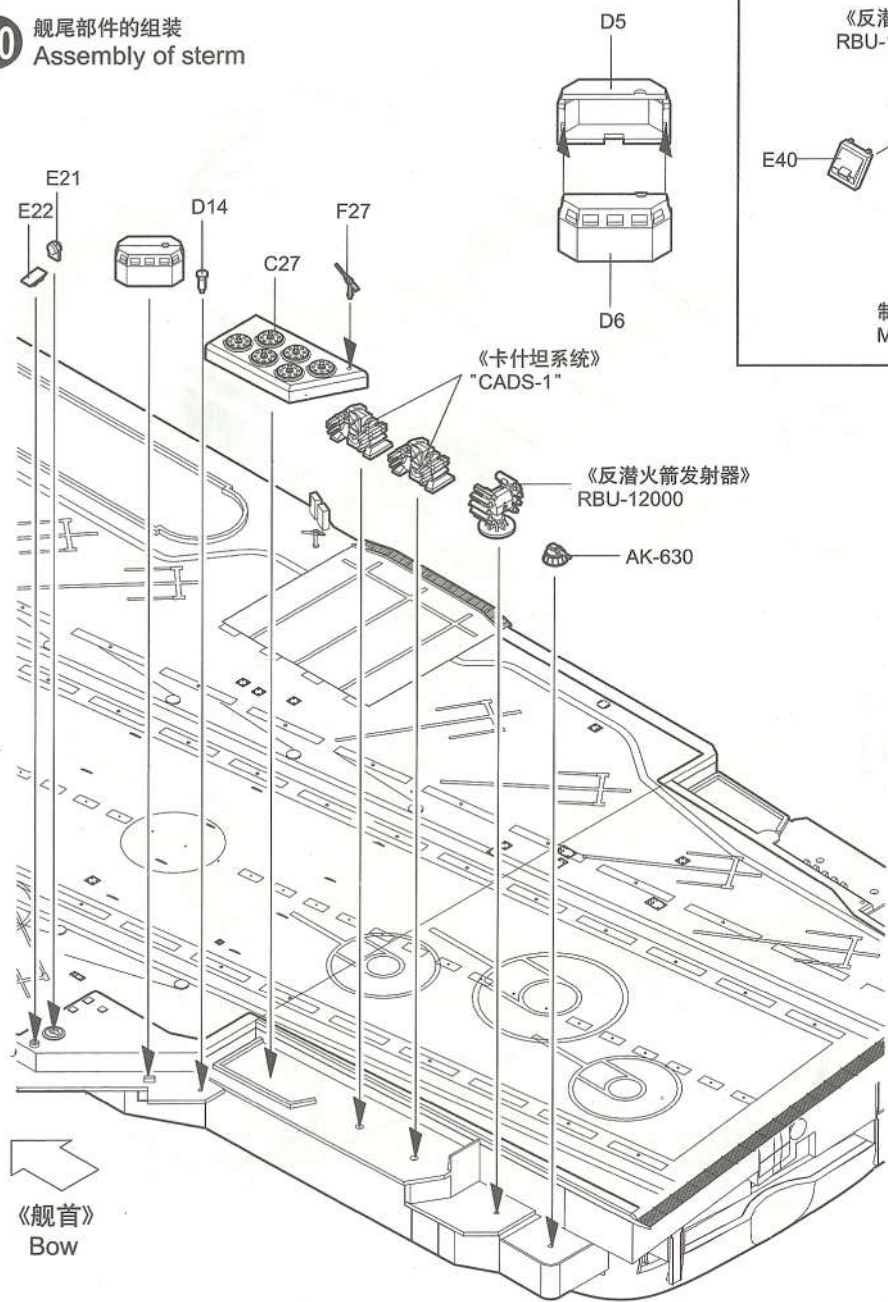
**8** 舰中部部件的组装  
Assembly of center hull



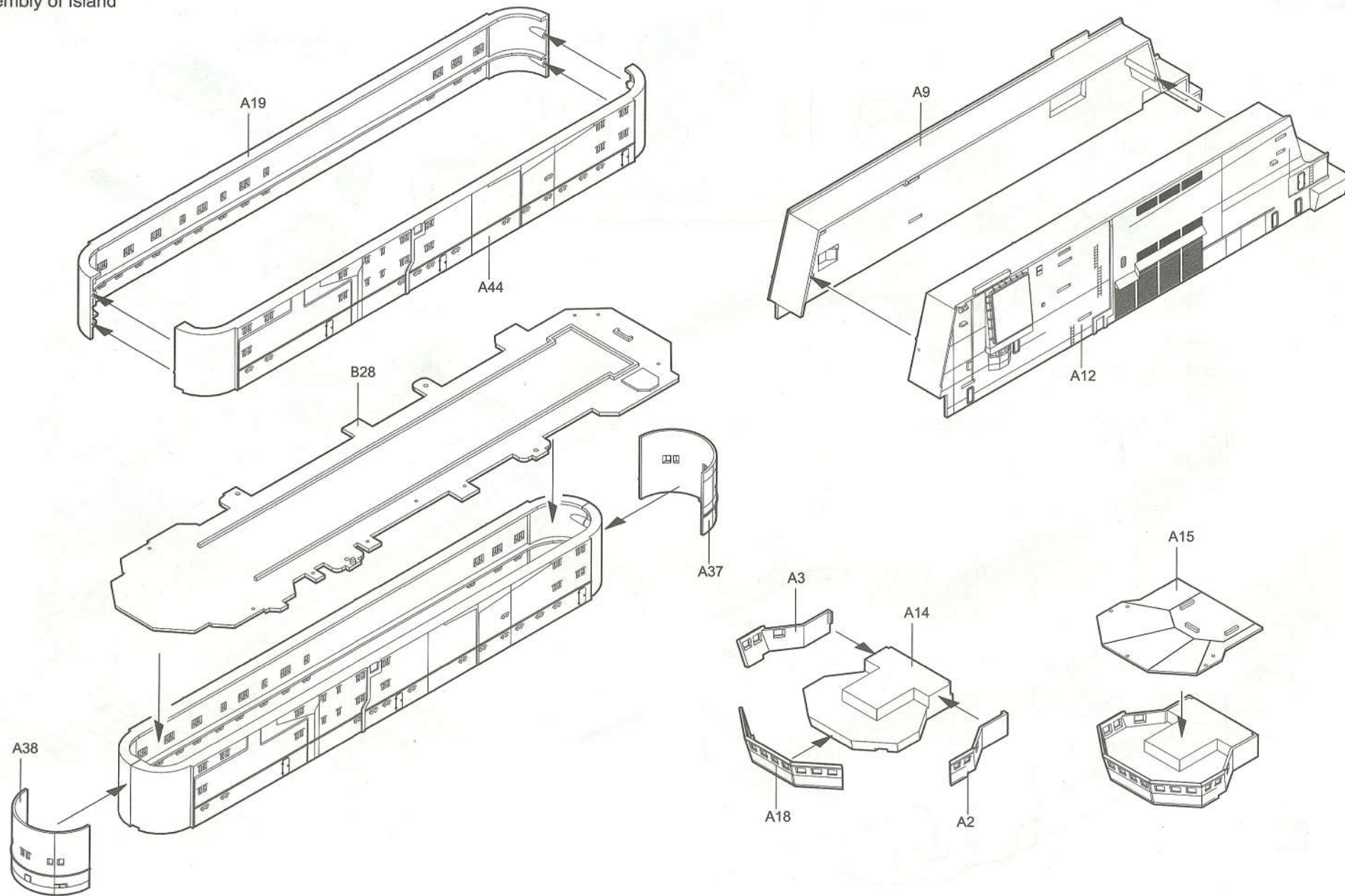
《天线 II》 Antenna II	AK-630的组装 Assembly of AK-630	《救生筏 I》 Raft I	《救生筏 II》 Raft II
制作8套 Make eight	制作6套 Make six	制作2套 Make two	制作7套 Make seven



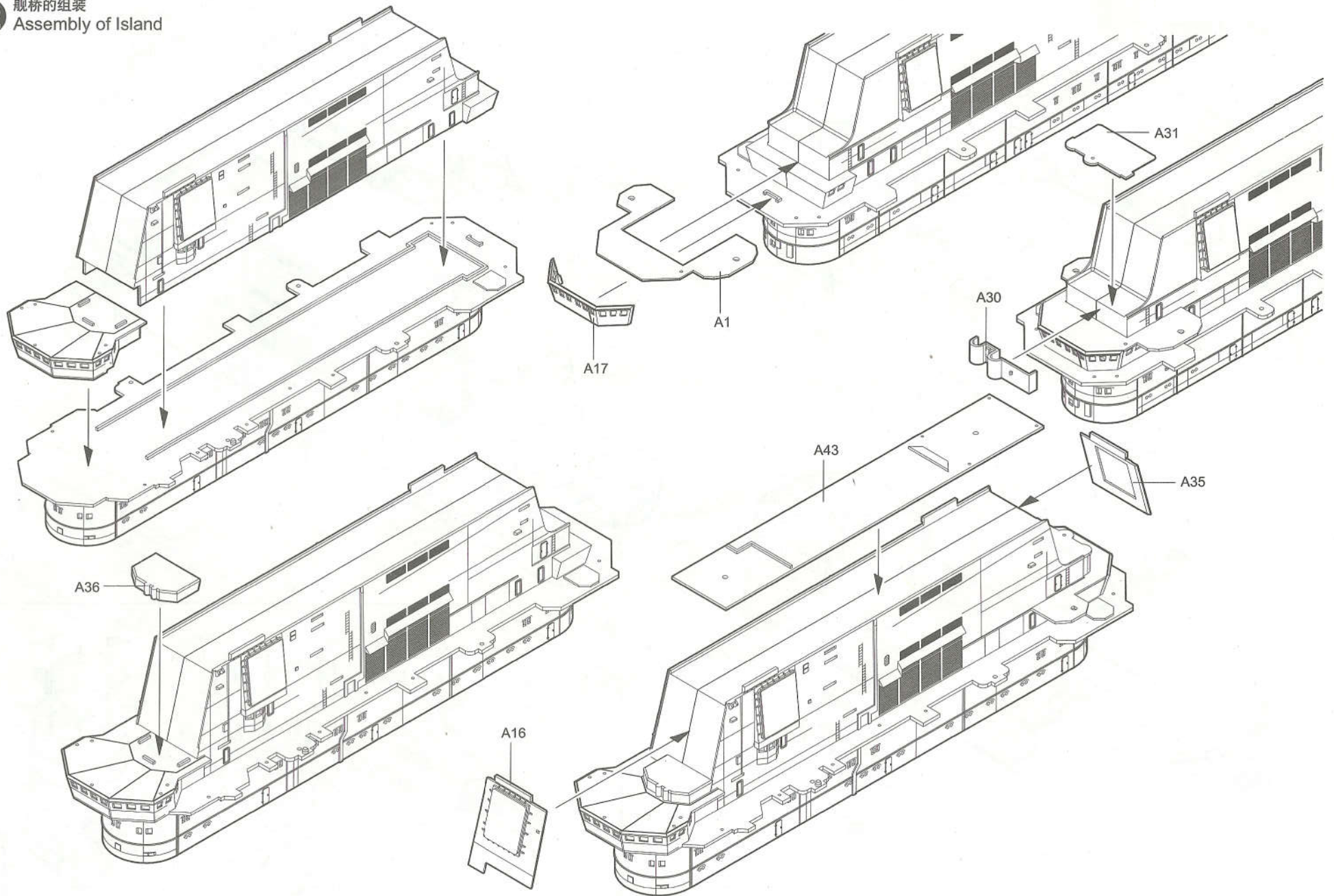
10 舰尾部件的组装  
Assembly of stern



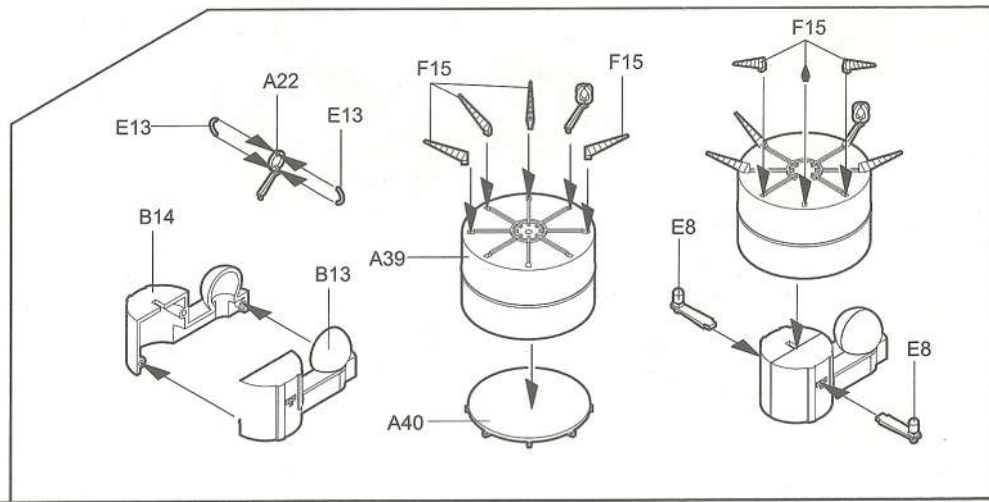
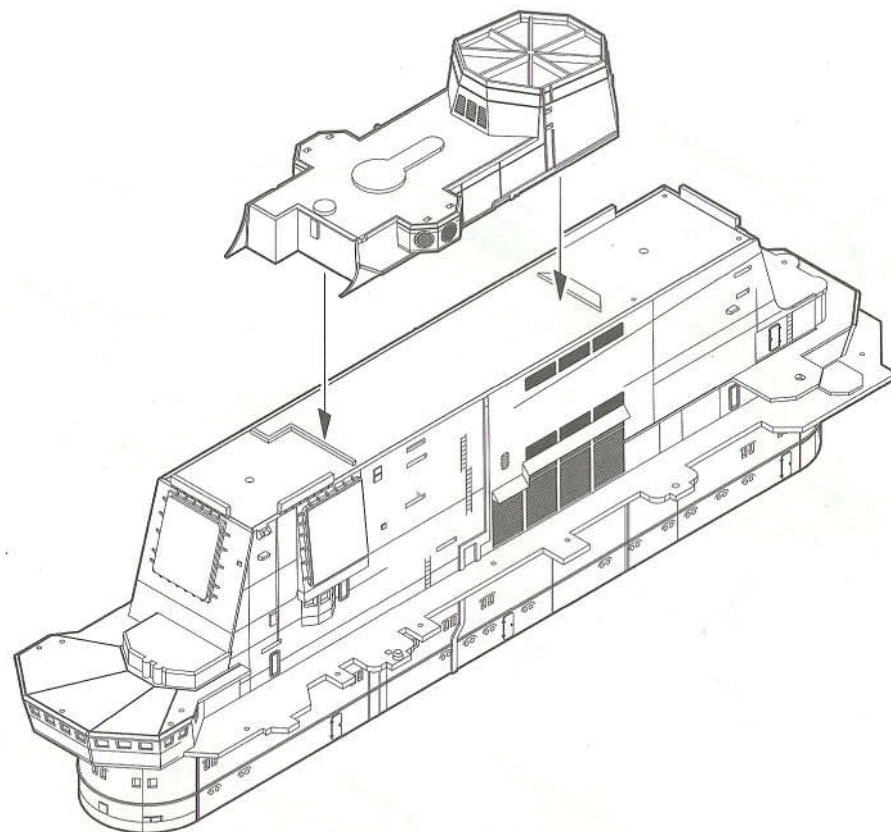
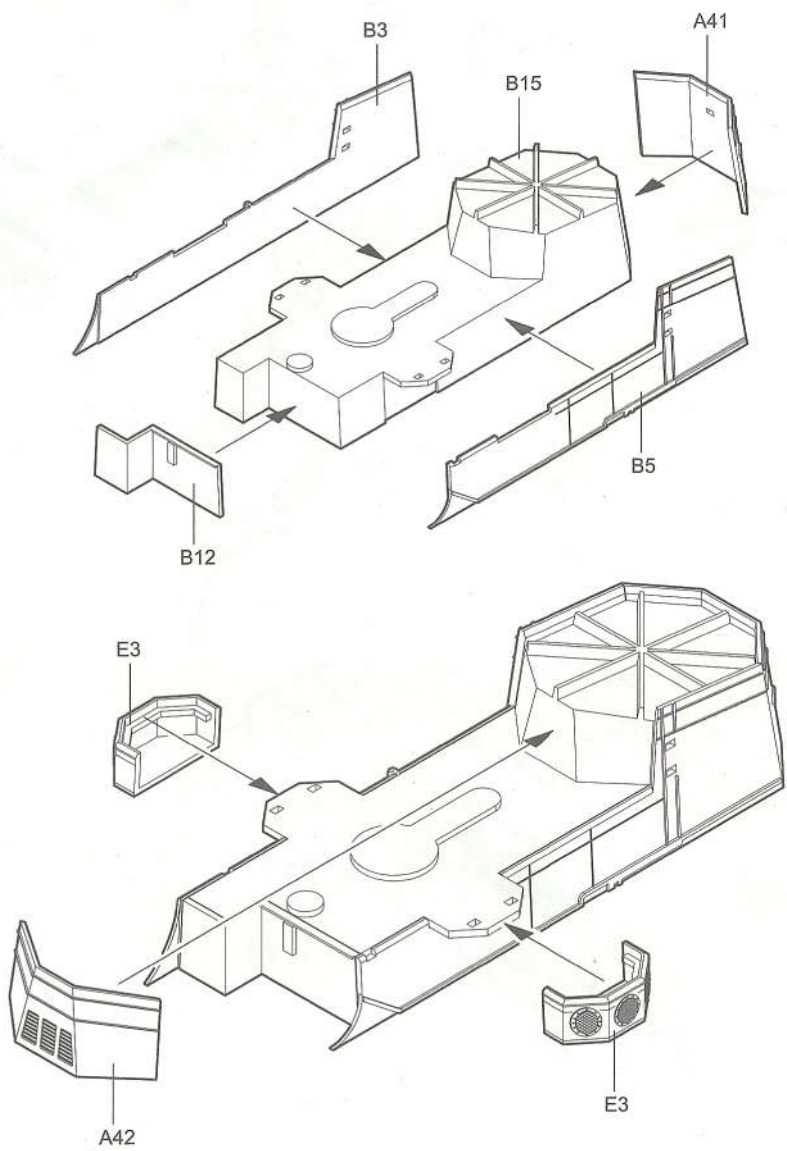
11 舰桥的组装  
Assembly of Island



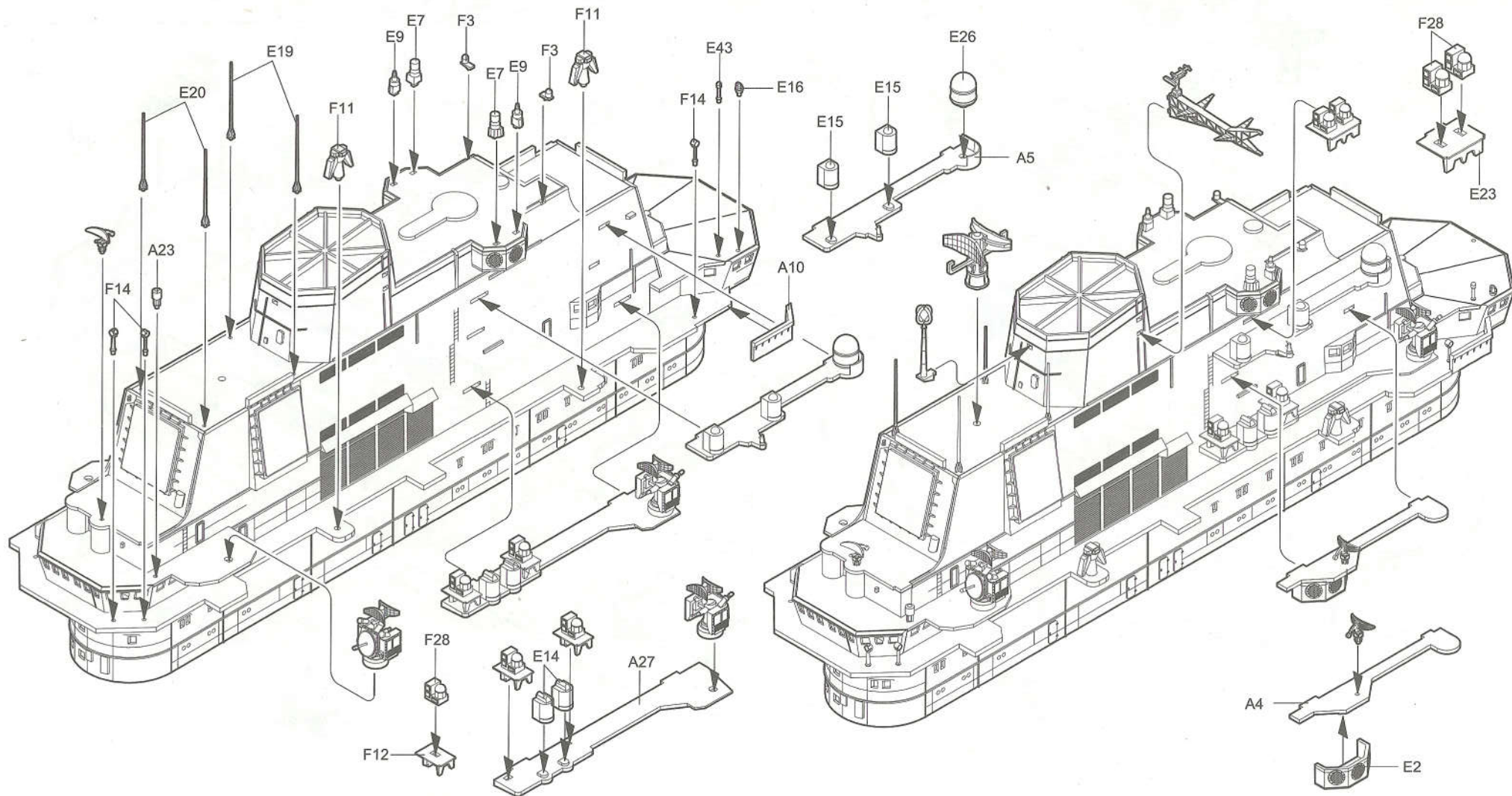
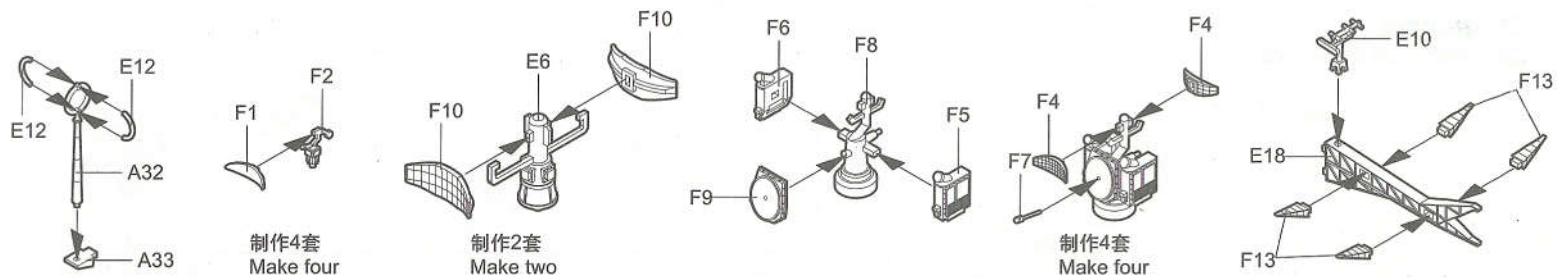
12 舰桥的组装  
Assembly of Island



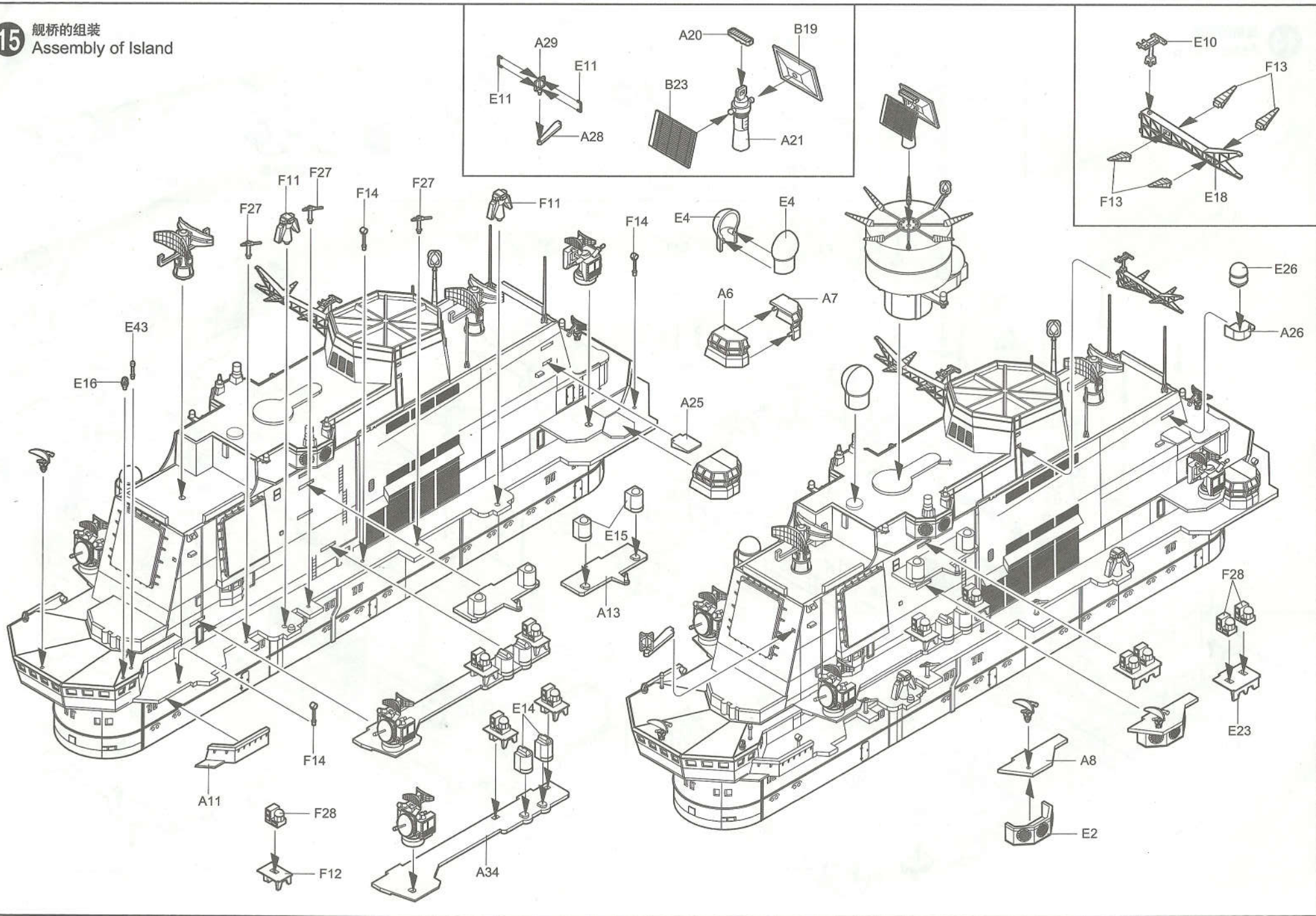
**13** 舰桥的组装  
Assembly of Island



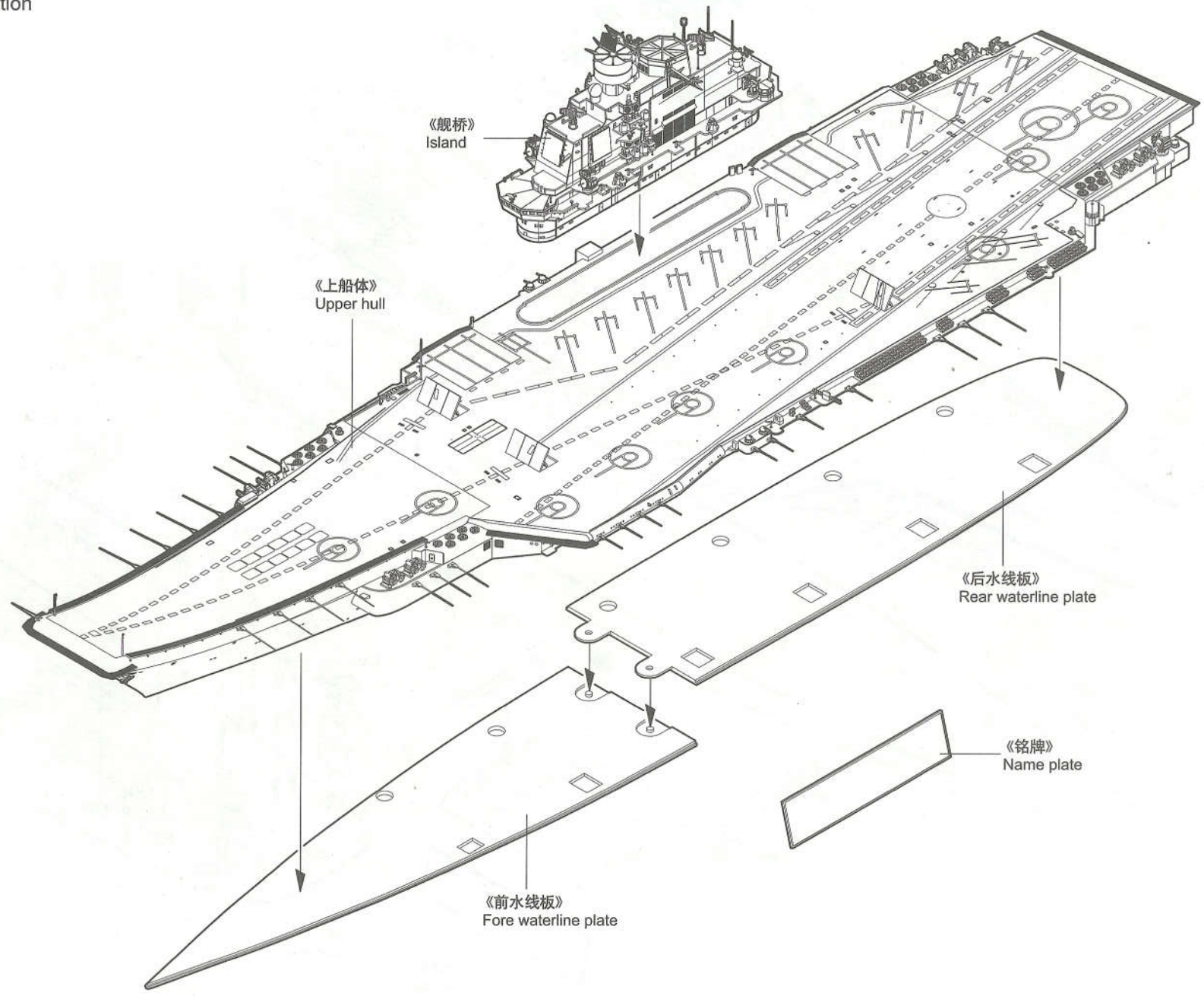
**14** 舰桥的组装  
Assembly of Island



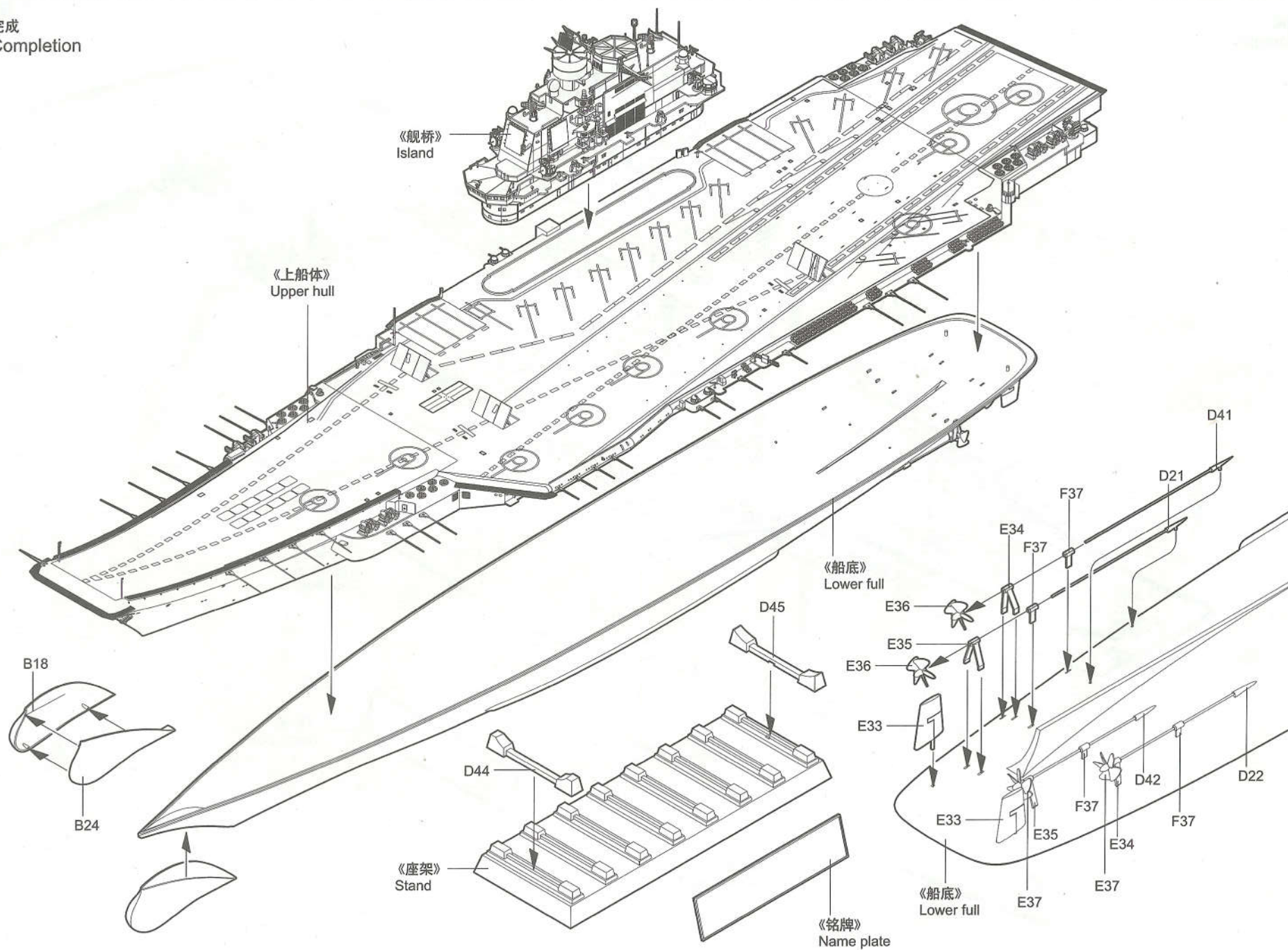
15 舰桥的组装  
Assembly of Island



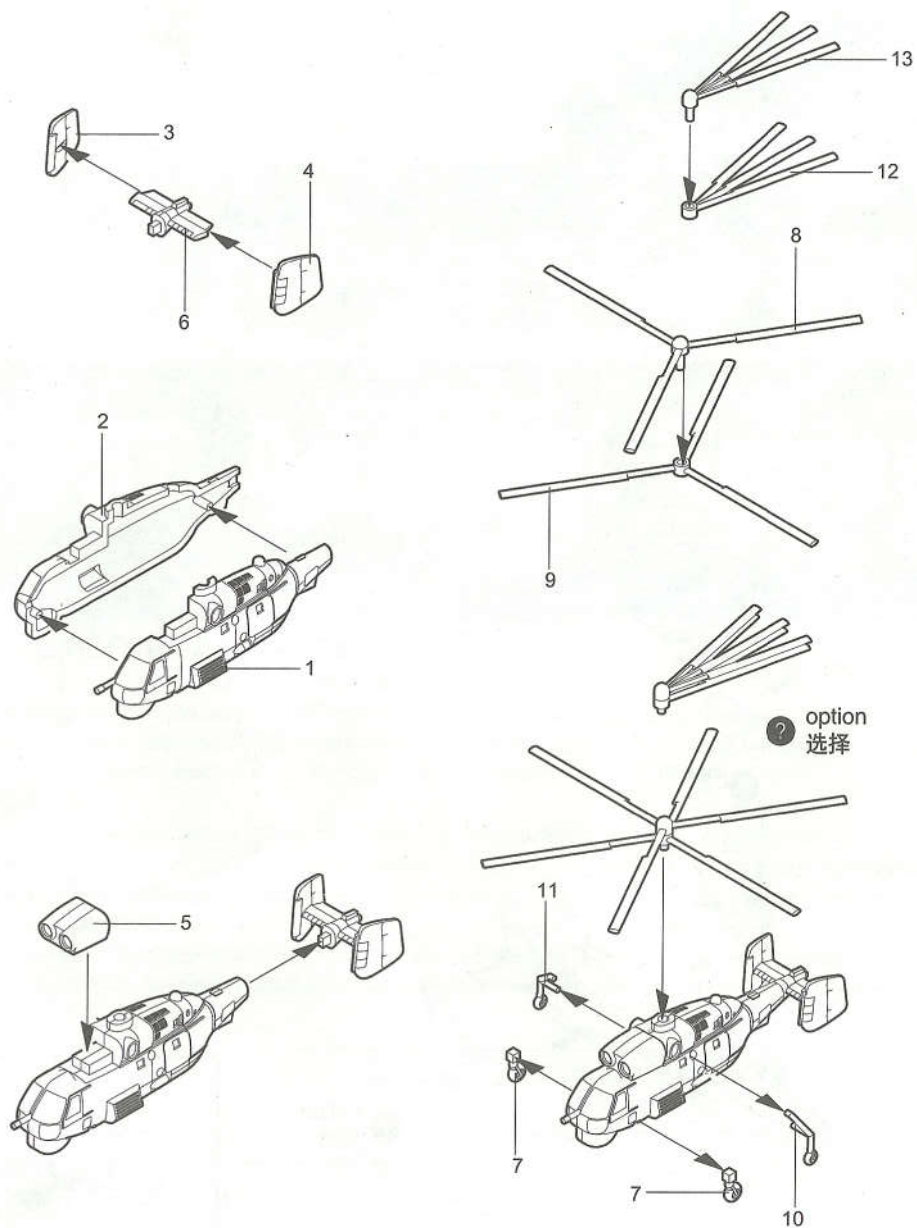
16 完成  
Completion



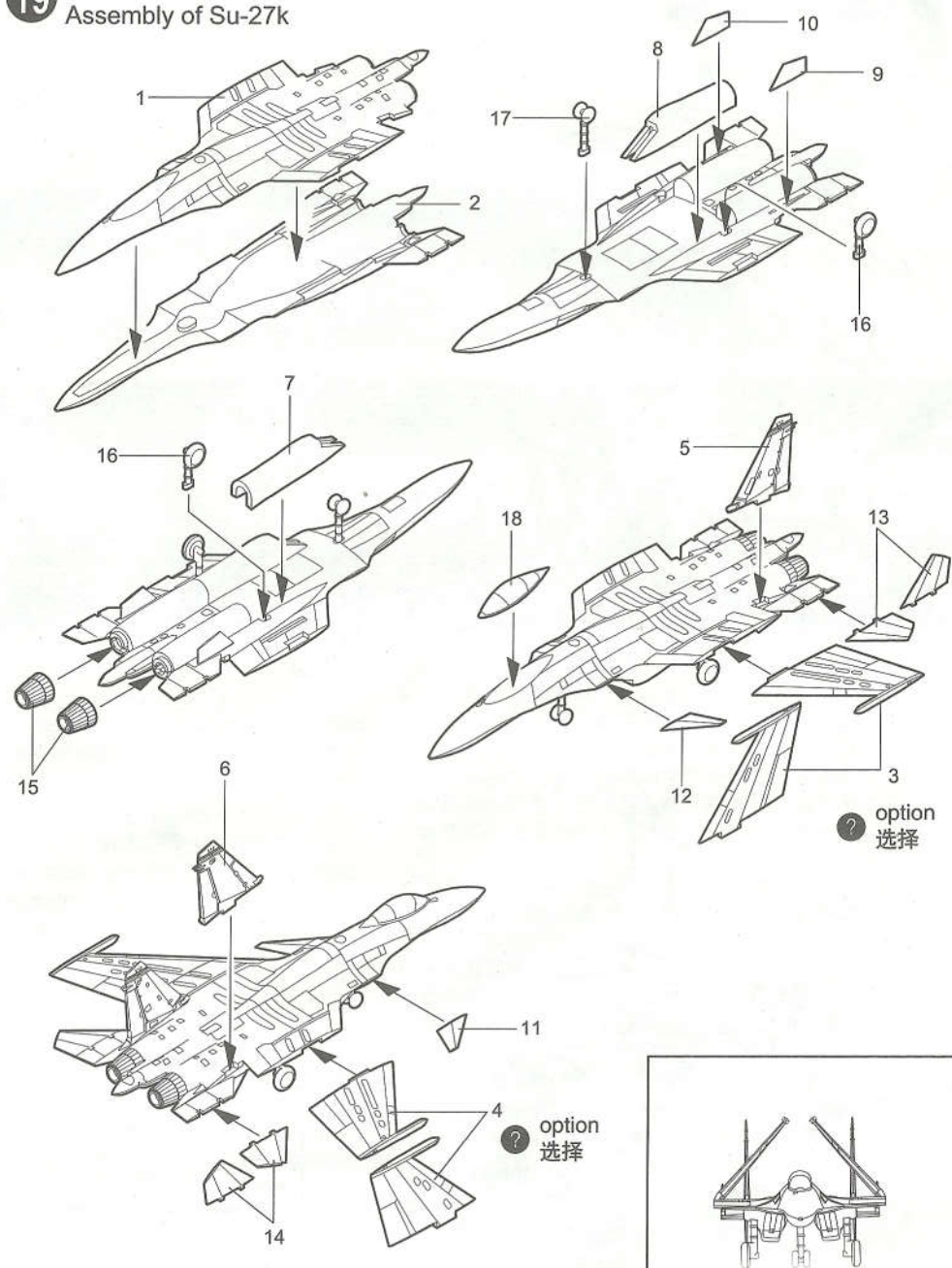
17 完成  
Completion



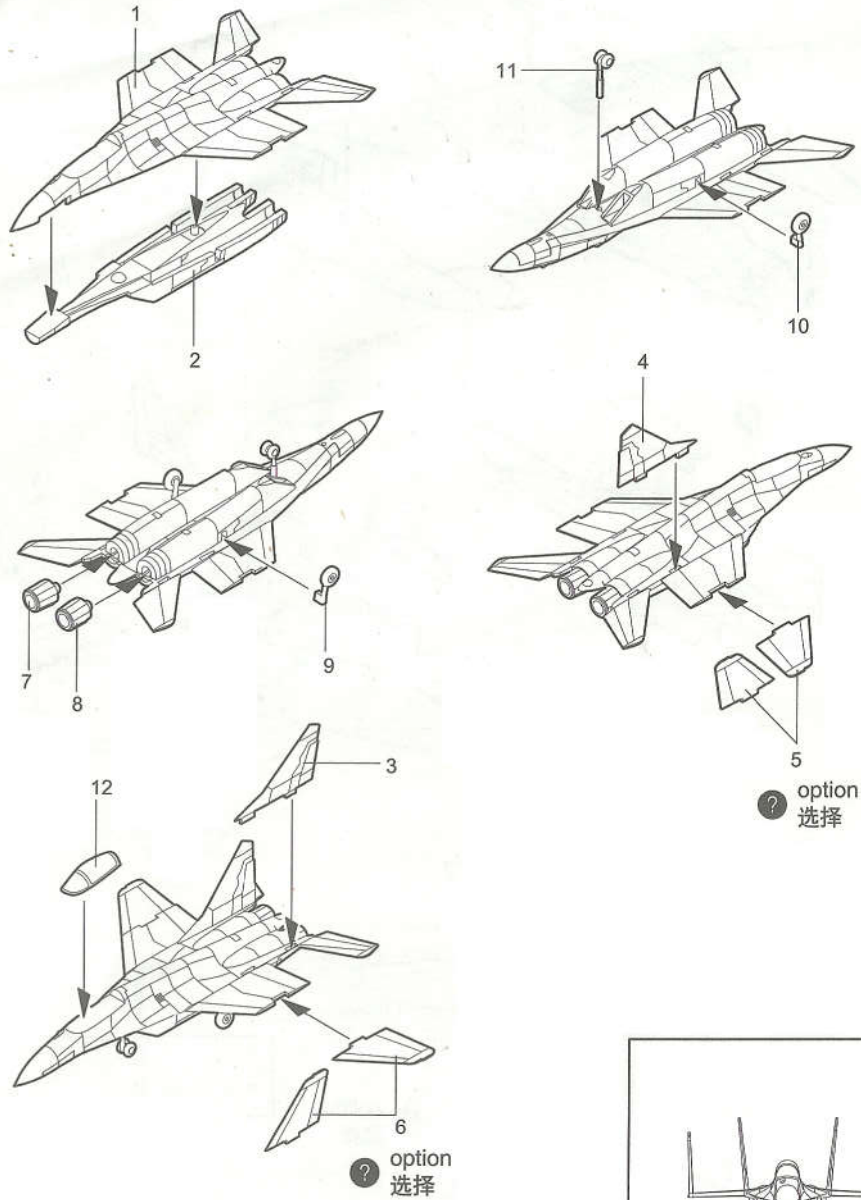
**18** Ka-27的组装  
Assembly of Ka-27



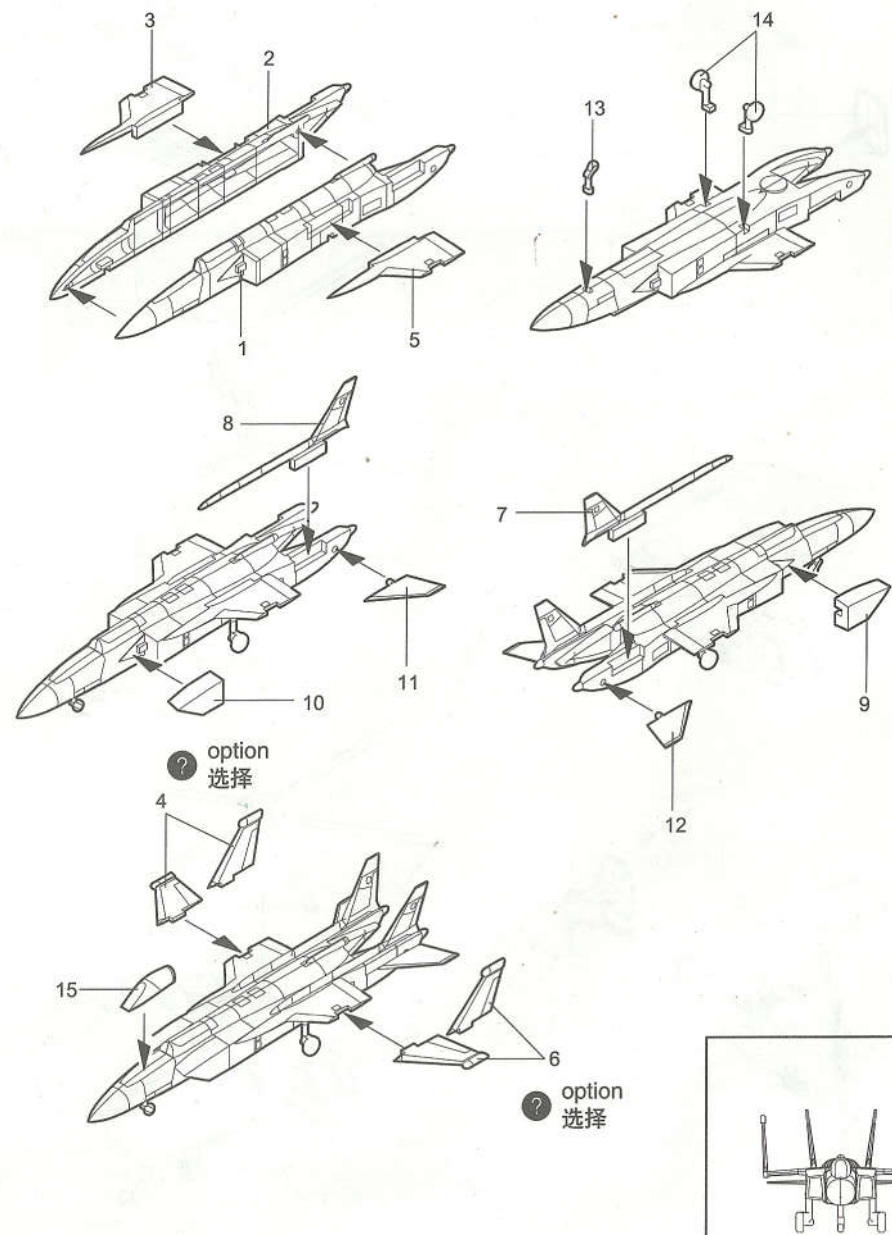
**19** Su-27k的组装  
Assembly of Su-27k



**20** Mig-29k的组装  
Assembly of Mig-29k

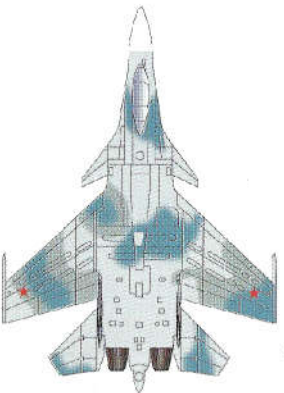
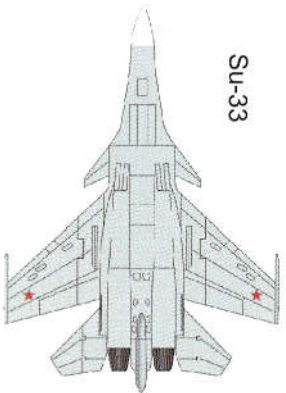


**21** Yak-141的组装  
Assembly of Yak-141

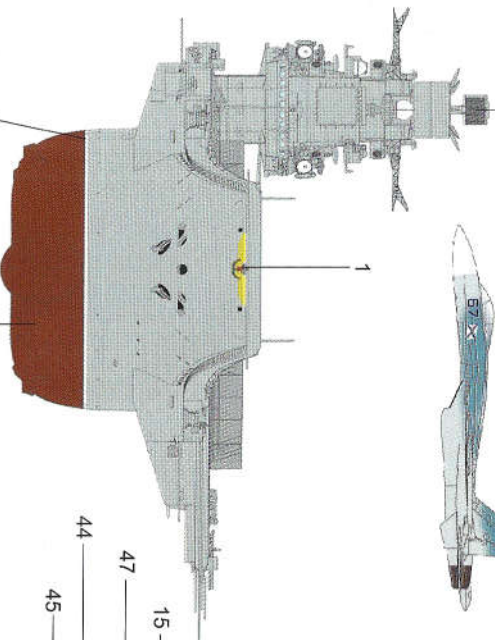


# 涂装同标贴指示 Painting & Marking guide

Su-33



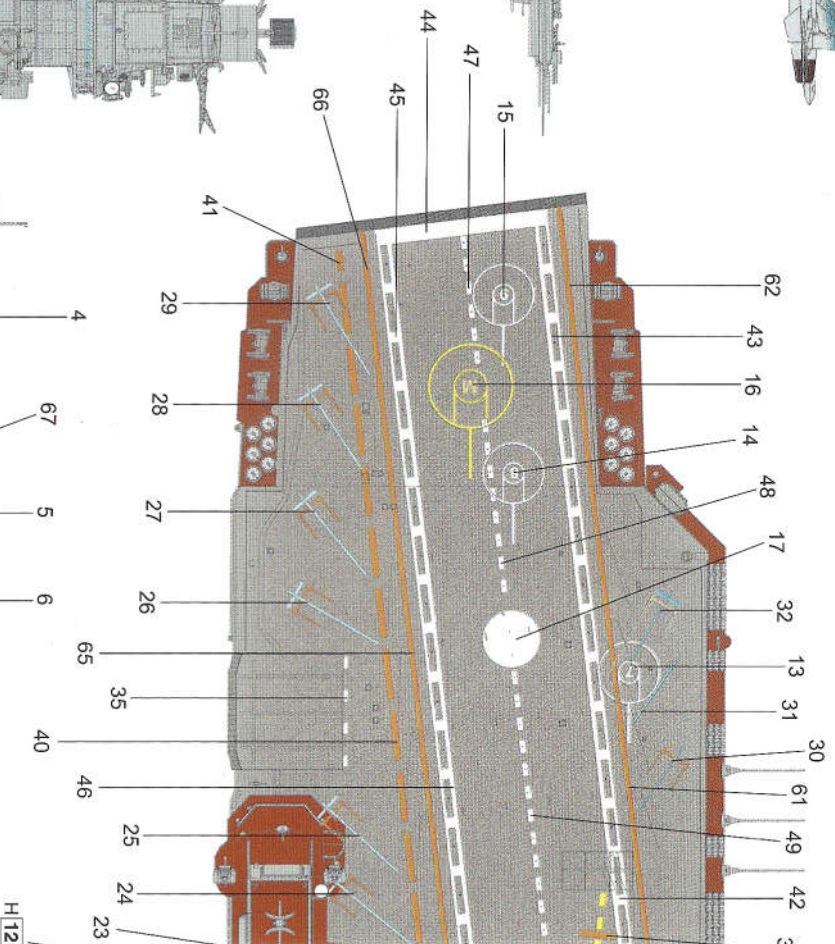
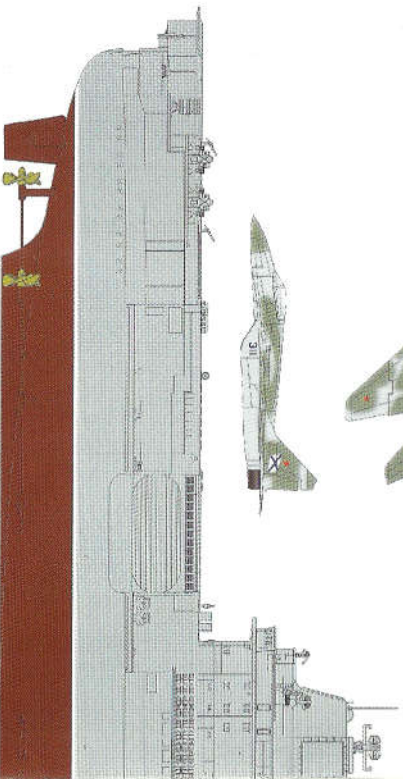
H301301



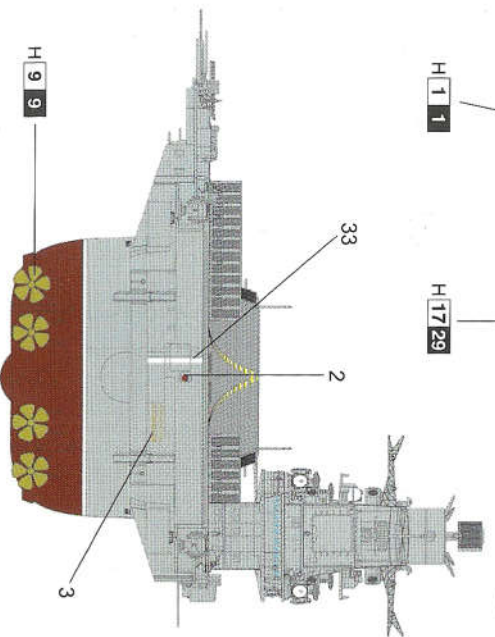
H111

H1729

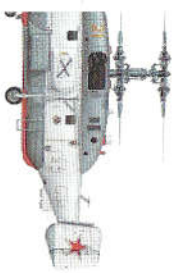
Mig-29K



H12

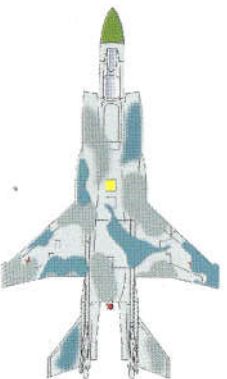
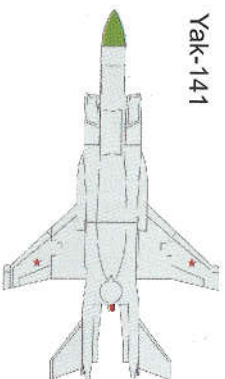


H99



Ka-27

Yak-141



Gunze		
H 1 1	白色	White
H 9 9	金色	Gold
H 12 33	消光黒	Flat Black
H 14 59	橘色	Orange
H 17 29	舰底色	Hull Red
H 53 13	中灰色	Neutral Grey
H 301 301	引擎灰	Engine Grey
H 305 305	中海灰	Medium Gunship Grey

