

1:35 Scale

## JGSDF NBC Detection Vehicle

日本陆上自卫队化学防护车



## READ BEFORE ASSEMBLY

- Study and understand these instructions thoroughly before beginning assembly. Make sure all parts are included by comparing them to those shown on pages 2 of these instructions.
- Remove parts from sprues as needed, and trim excess with a hobby knife. Be careful not to lose small parts.
- Remove photo-etch parts from sprue as needed using a hobby knife or photo etch cutter.
- Apply cement to photo etch parts as shown on instructions. Applying too much cement will restrict the operation of these movable parts. Apply cement carefully! Removed photo etch parts can have sharp edges. Take care when handling these to avoid injury.
- Apply decals to necessary parts prior to assembly.
- Additional tools recommended(not included):Sprue cutter, Long nose pliers, hobby knife, file, tweezers, pin vise, scissors, cement, sandpaper, soft cloth, glue and paint.
- Keep all parts out of reach of children, as they pose a choking hazard. Discard all unnecessary bags and sprues when model is completed to avoid accidental injury.

## 装配之前仔细阅读

- 小心用模型锉刀锉平所有零件表面的注射浇口。
- 小心用刀片切下蚀刻片零件，不要遗失小零件。
- 用强力快干胶水粘合蚀刻片零件和金属轴。过量的快干胶水使用可能导致可动零件会粘住，小心涂胶。
- 取蚀刻片时应特别注意安全，防止利边划伤手指。
- 某些零件表面需贴水上贴纸，请选择在装配的同时进行。
- 推荐模型工具(自备)：胶水，水口剪刀，长咀钳，刀片，锉刀，镊子钳，钻，剪刀，瞬间快干胶。
- 软布同砂纸同时也应该是必备工具。
- 请使用塑料胶水和油漆，模型内不含。
- 谨防小孩吸吮塑料零件，或者将塑料袋套在头上，制作时应将套材远离小孩接触。



cyanoacrylate glue  
使用强力胶



weight  
配重



make hole  
钻孔



cut / remove  
切除



bend  
弯曲



file / sand  
锉平



option  
选择



no cement  
不涂胶水



decal  
贴纸

## 水贴纸的使用:

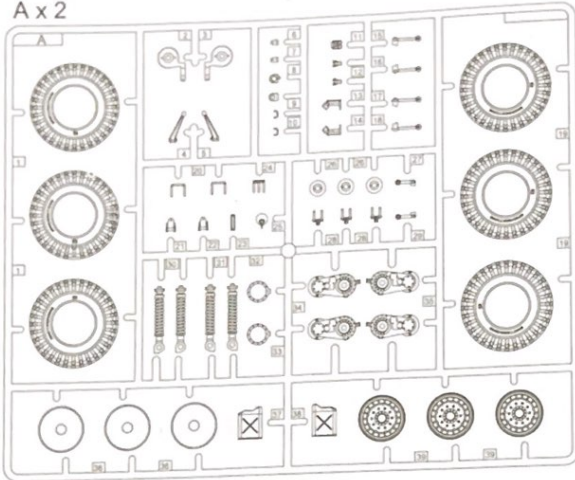
1. 从水贴上剪下印花;
2. 将印花放入温水中浸10秒，然后放在干净布上。
3. 拿着印花纸板将印花移到模型上;
4. 手指蘸水将印花移到适当的位置;
5. 用软布轻压印花直至水干，汽泡消失。

## DECAL APPLICATION

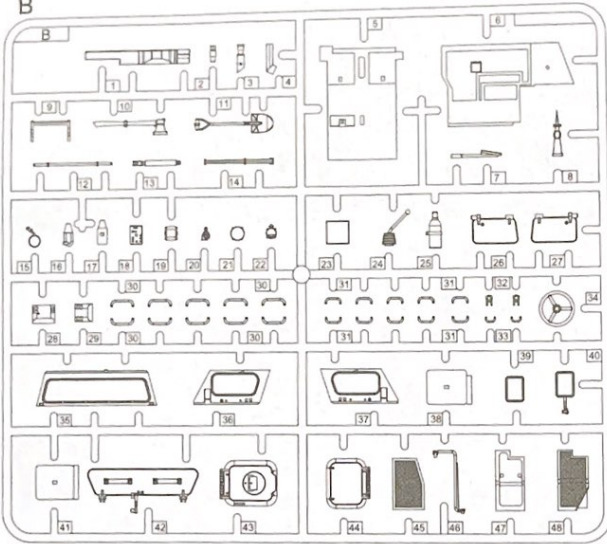
1. Cut off decal from sheet.
2. Dip the decal in tepid water 40°C for about 10 sec. and place on a clean cloth.
3. Hold the backing sheet edge and slide decal onto the model.
4. Move decal into position by wetting decal with finger.
5. Press decal gently down with a soft cloth until excess water and air bubbles are gone.

部品图  
Parts

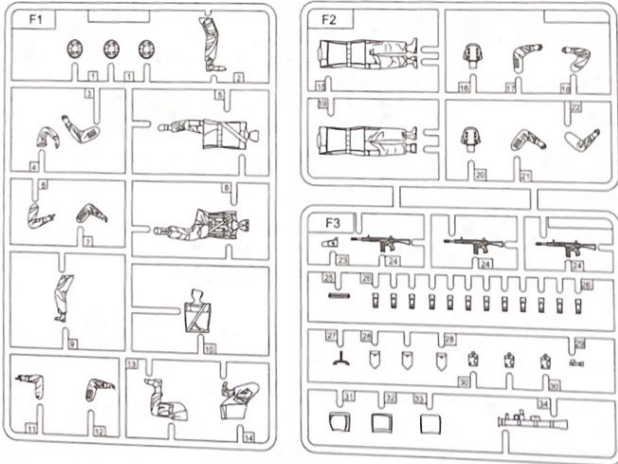
A x 2



B

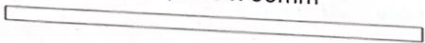


F

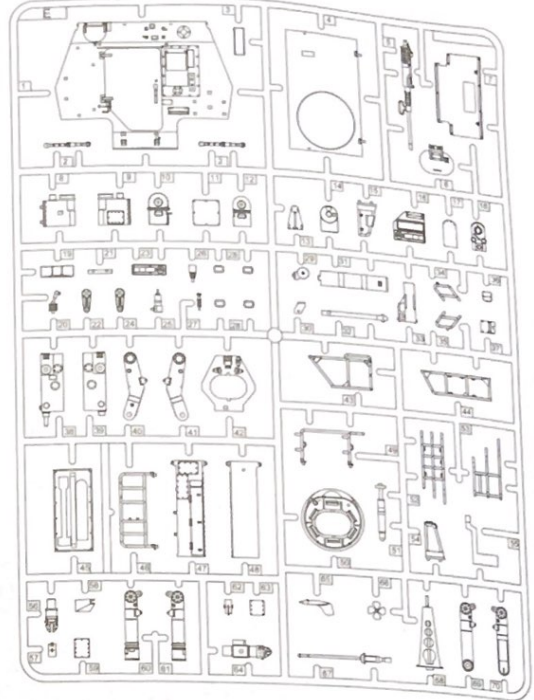


金属轴 x 3  $\varnothing 2.0 \times 65\text{mm}$   
Metal shaft x 3  $\varnothing 2.0 \times 65\text{mm}$

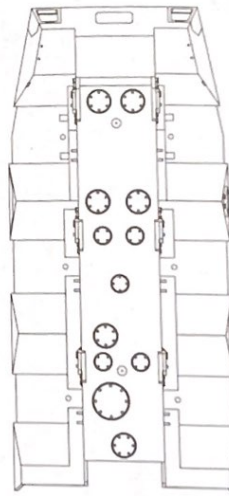
棉绳  
Rope



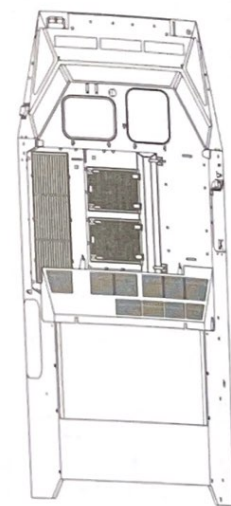
E



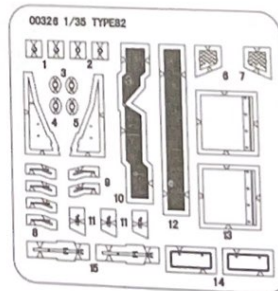
车底  
Lower hull



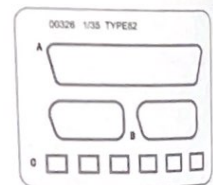
车面  
Upper hull



蚀刻片  
PE

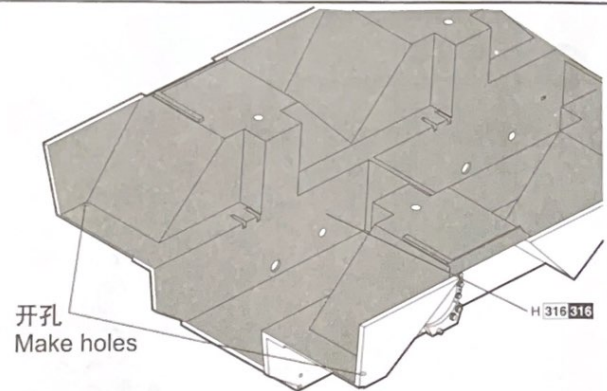
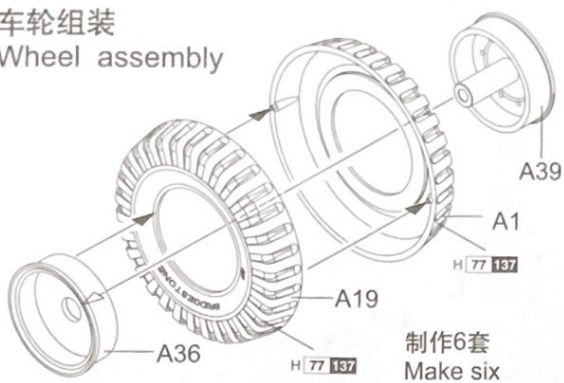


透明片  
Transparent

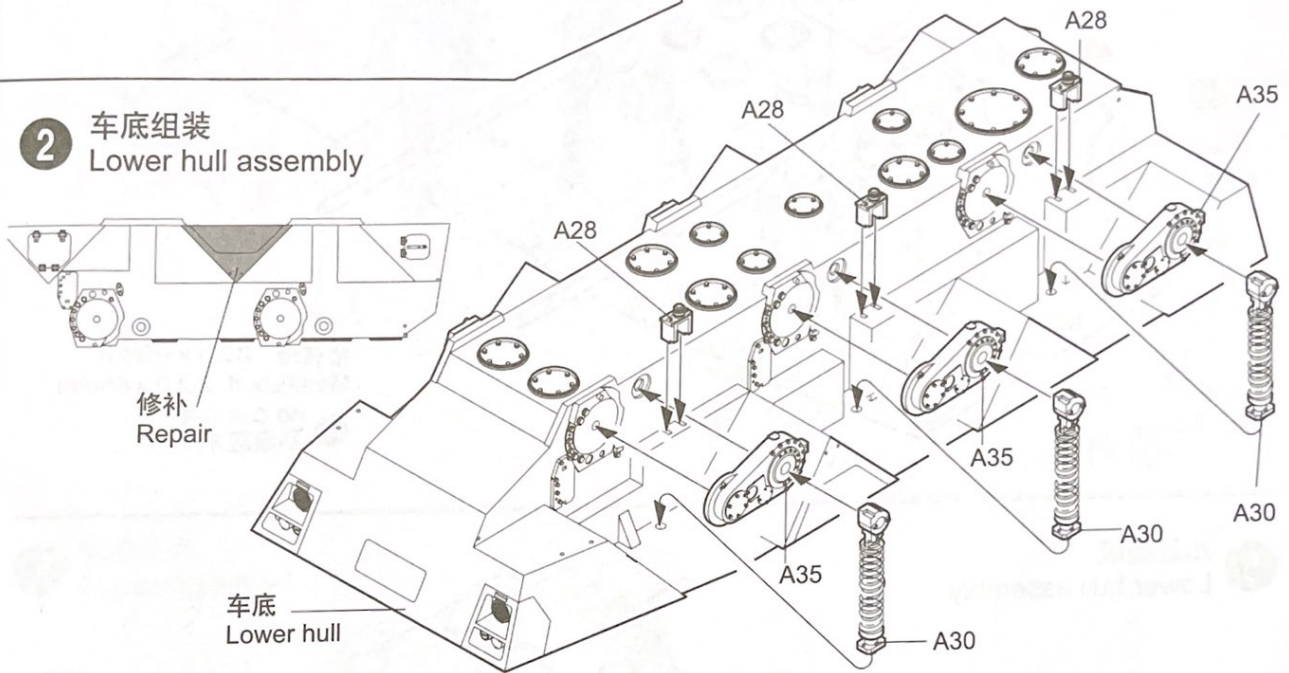


水贴纸  
Decal

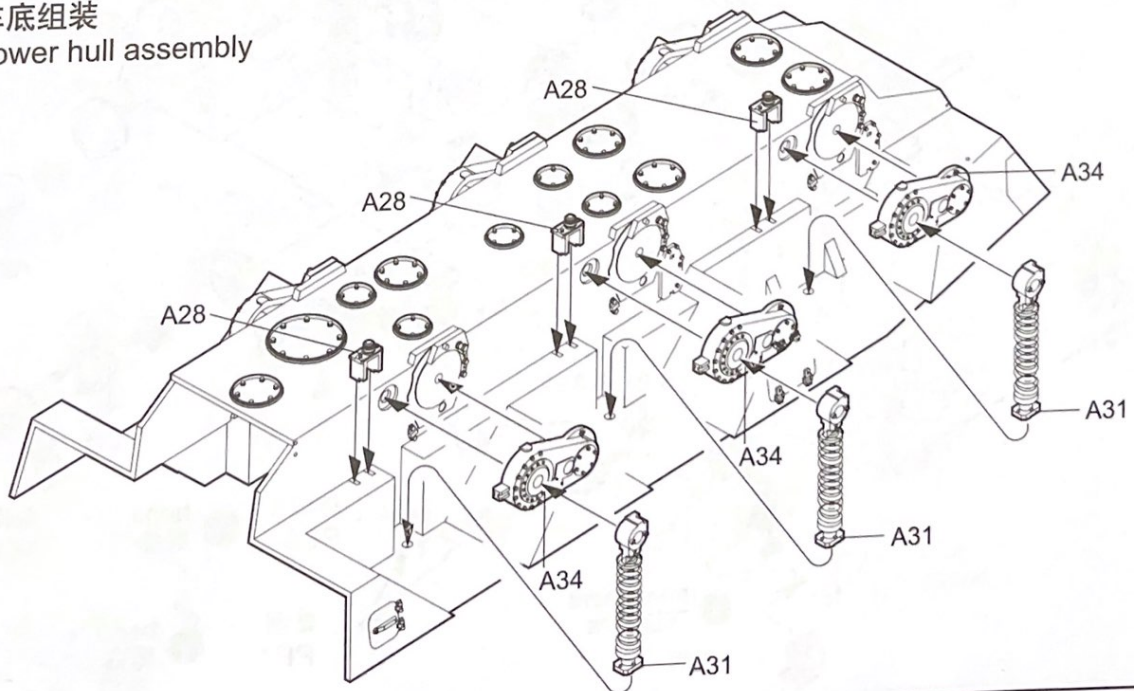
**1** 车轮组装  
Wheel assembly



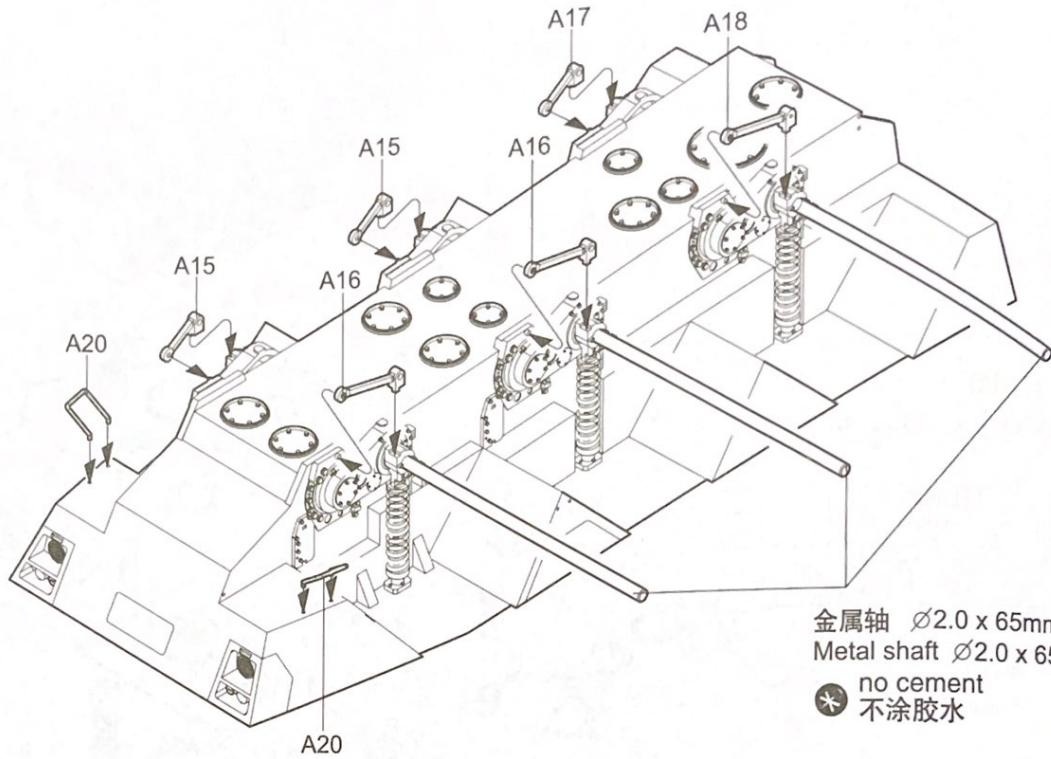
**2** 车底组装  
Lower hull assembly



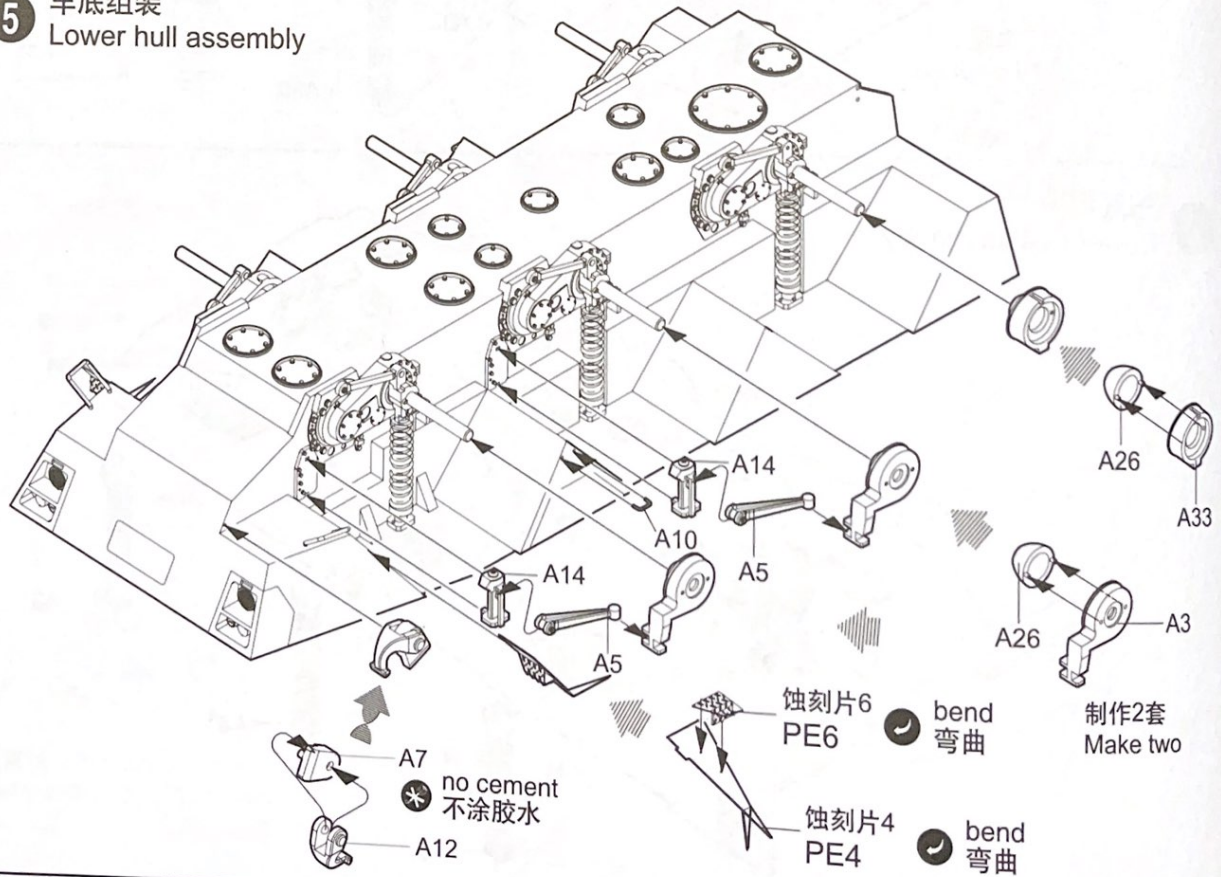
**3** 车底组装  
Lower hull assembly



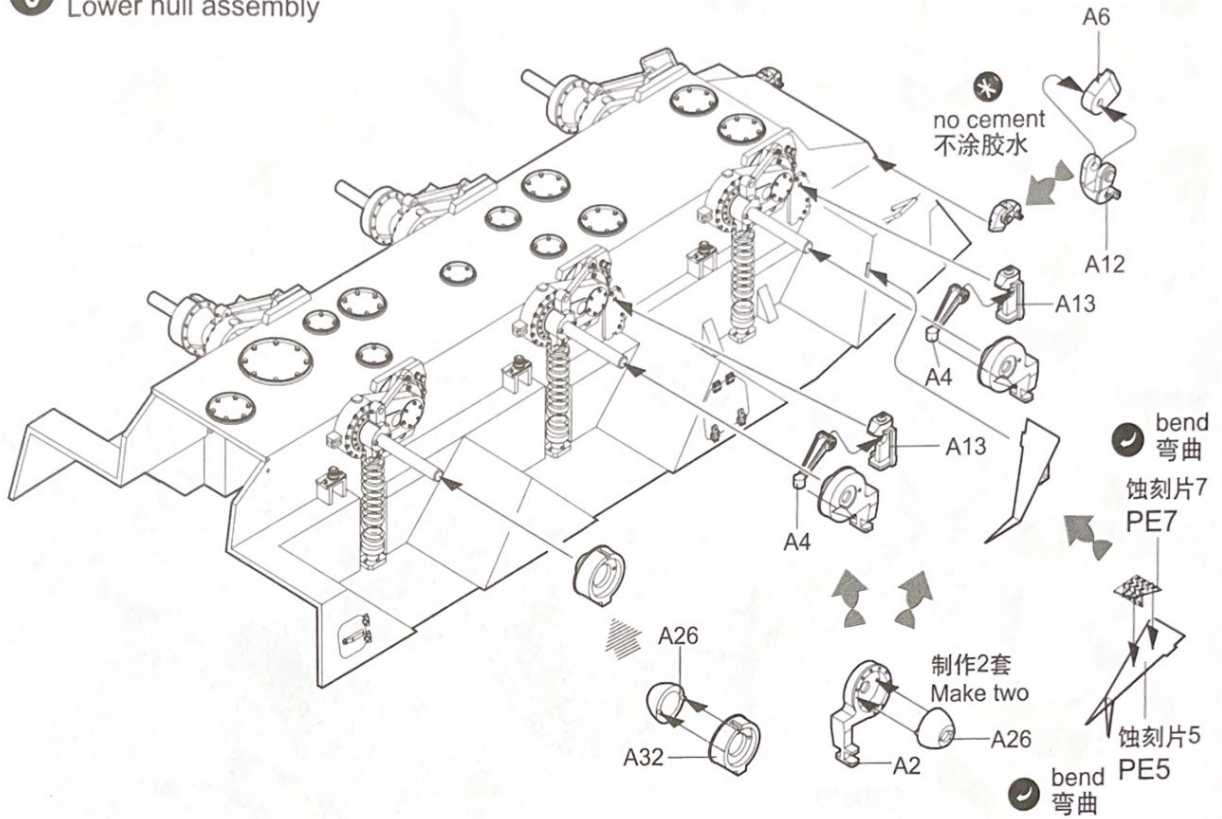
**4** 车底组装  
Lower hull assembly



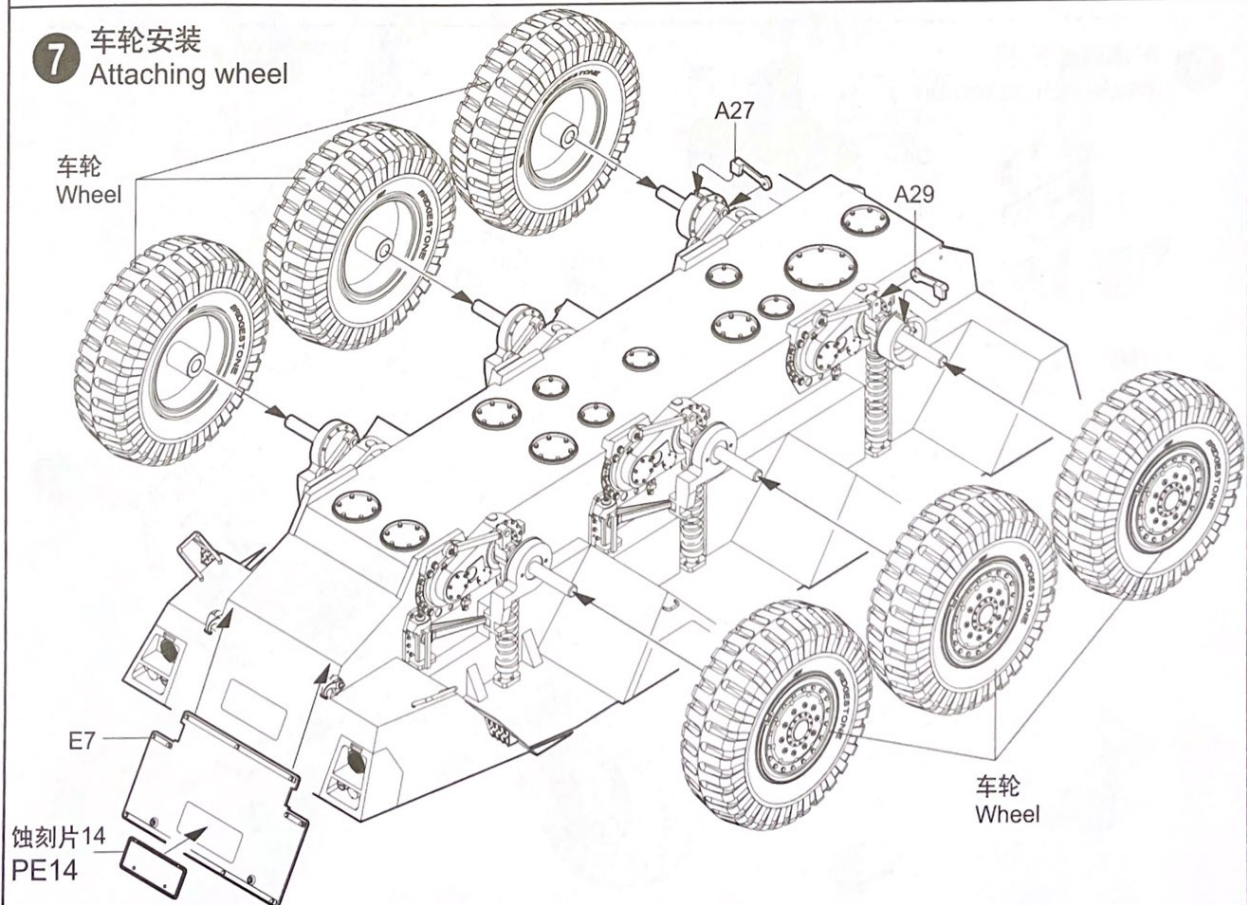
**5** 车底组装  
Lower hull assembly



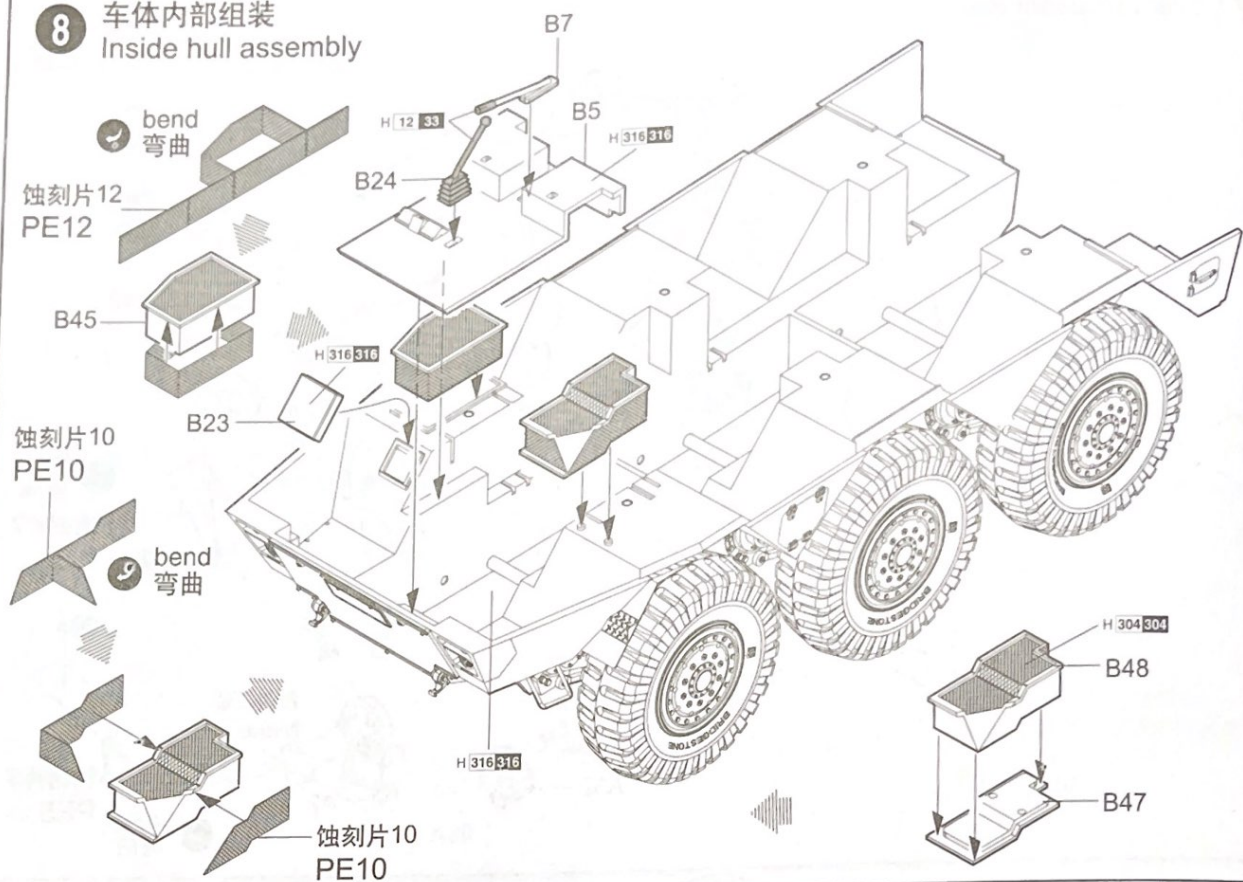
**6** 车底组装  
Lower hull assembly



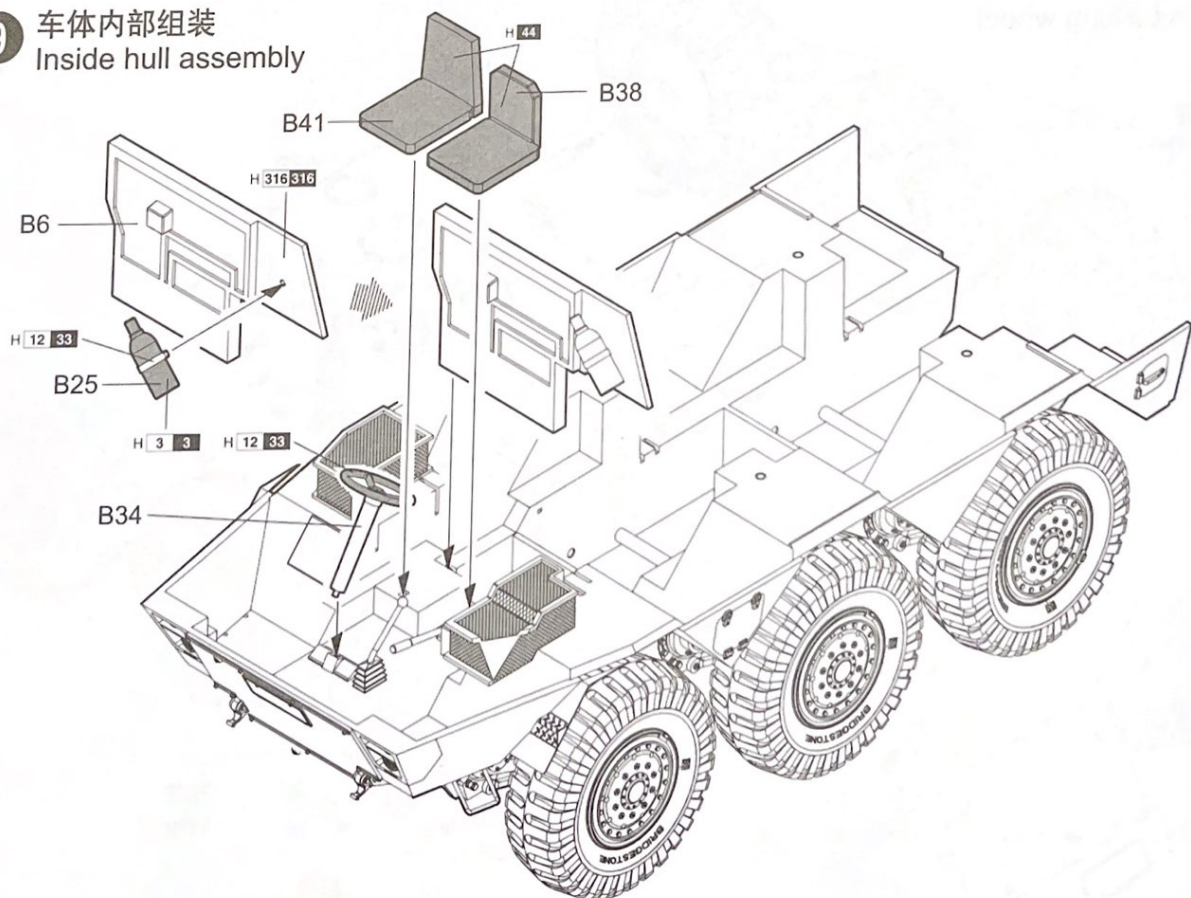
**7** 车轮安装  
Attaching wheel



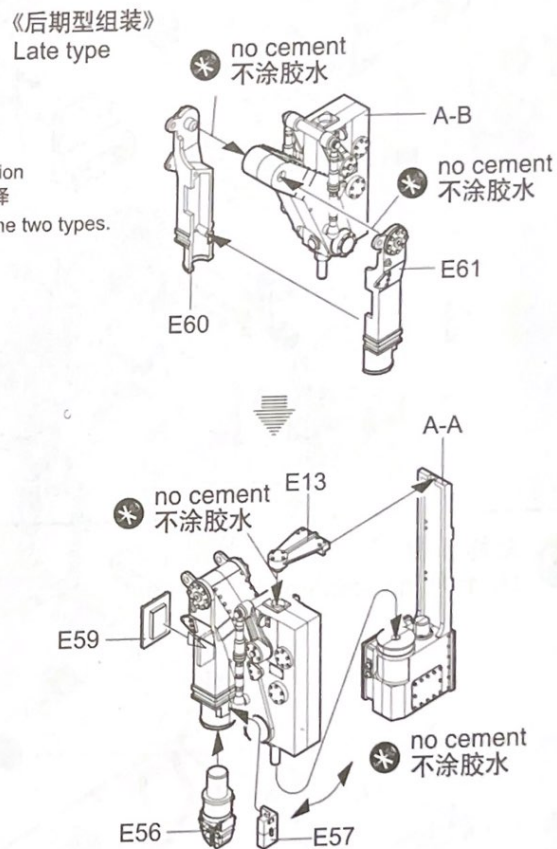
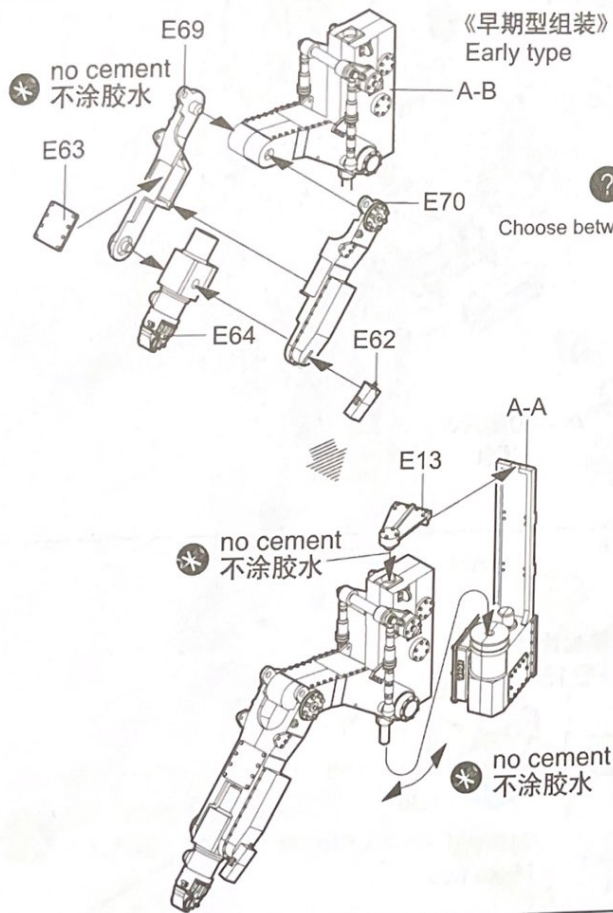
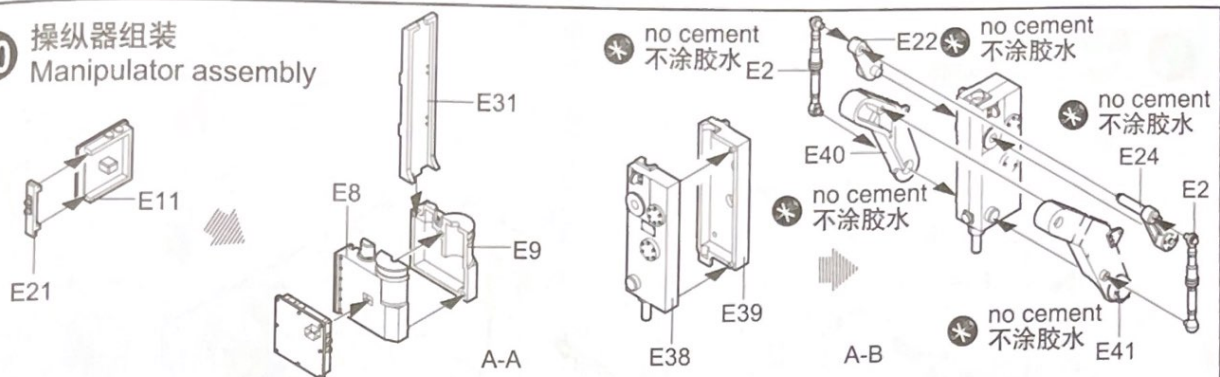
**8** 车体内部组装  
Inside hull assembly



**9** 车体内部组装  
Inside hull assembly

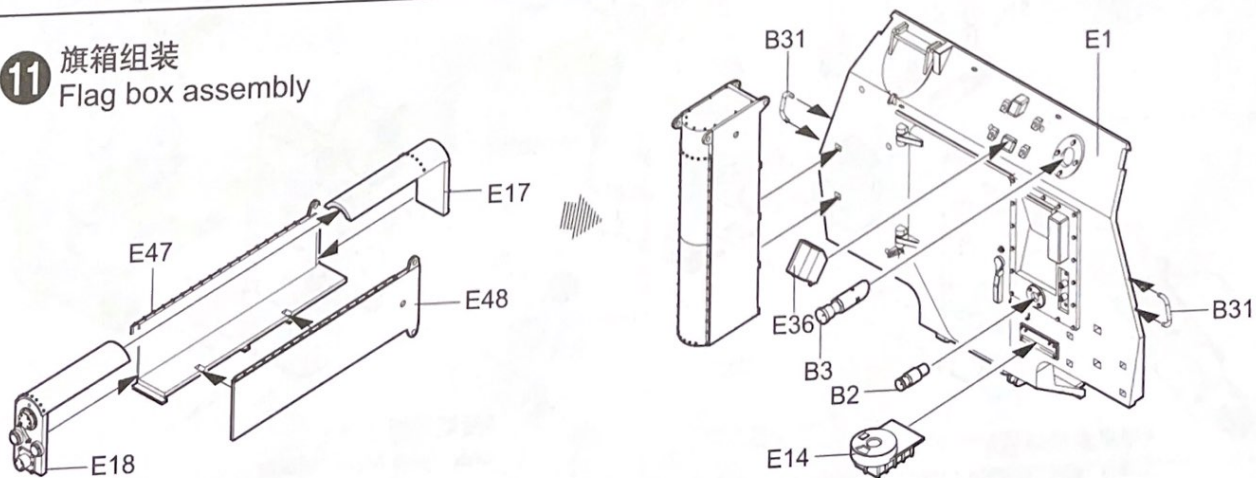


# 10 操纵器组装 Manipulator assembly

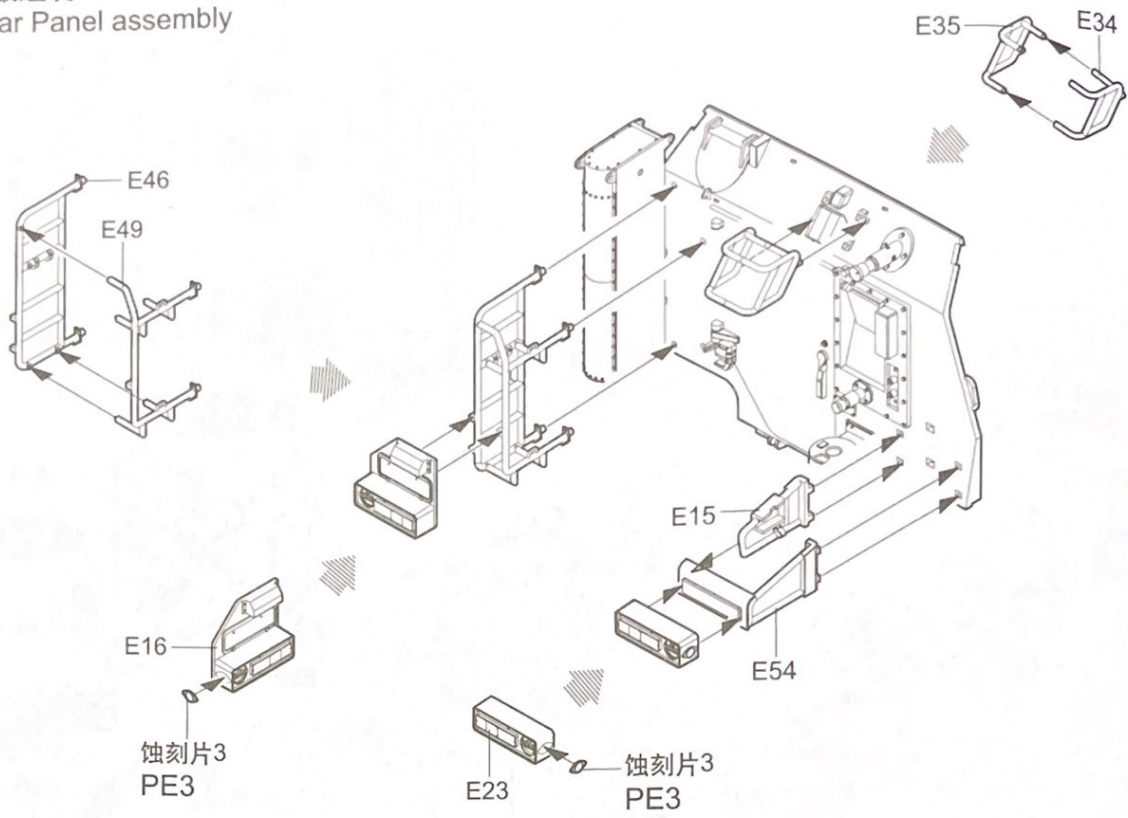


? option  
选择  
Choose between the two types.

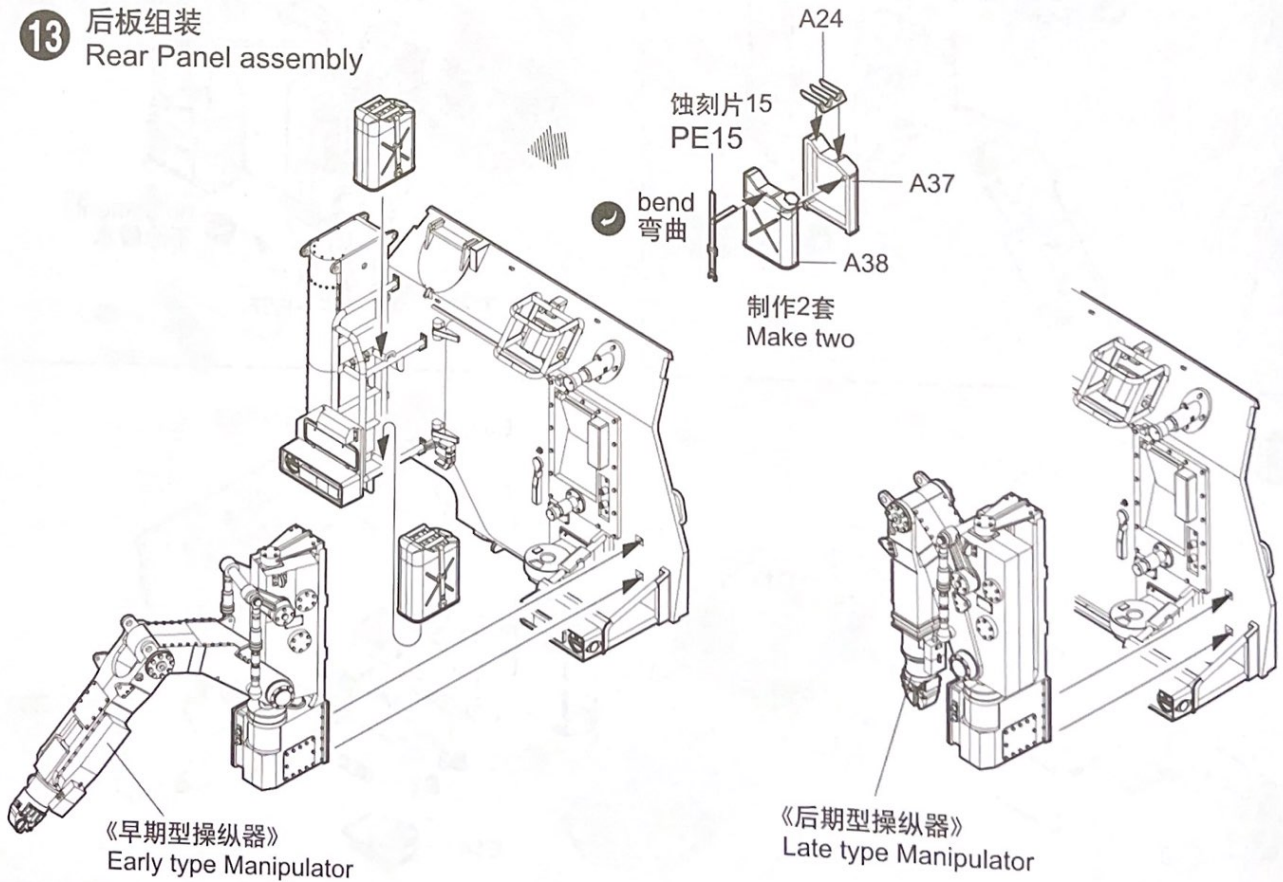
# 11 旗箱组装 Flag box assembly



**12** 后板组装  
Rear Panel assembly

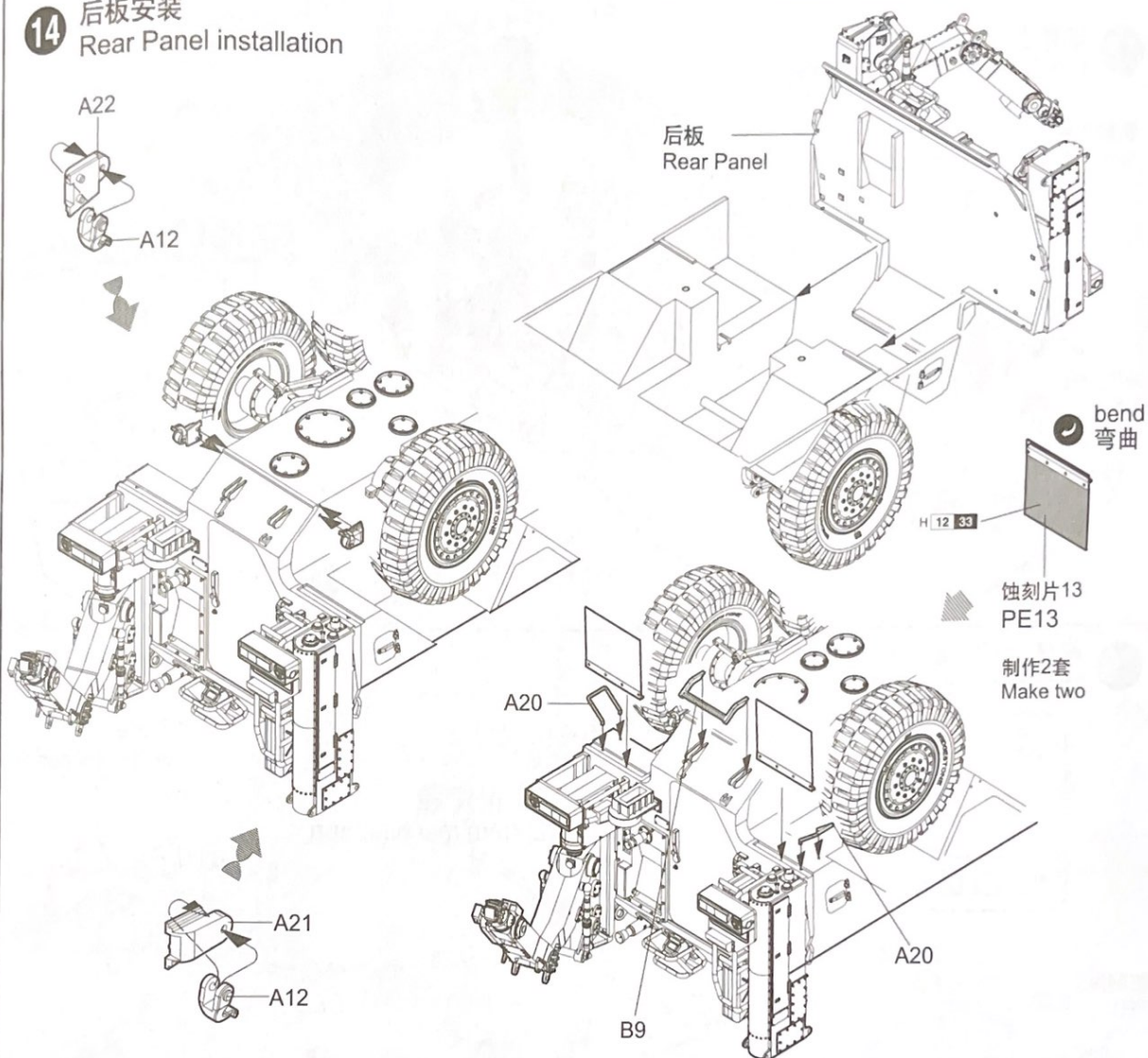


**13** 后板组装  
Rear Panel assembly

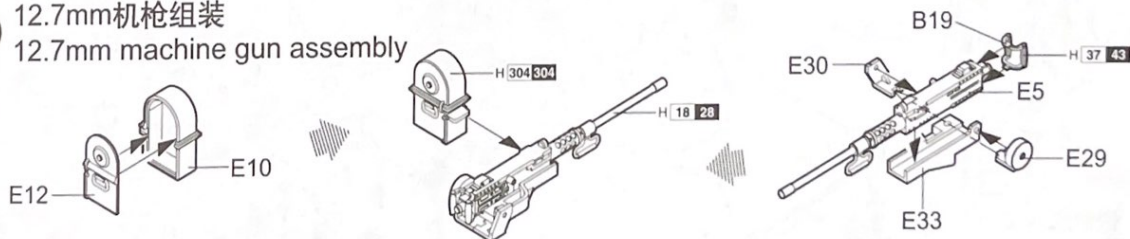


00330

**14** 后板安装  
Rear Panel installation

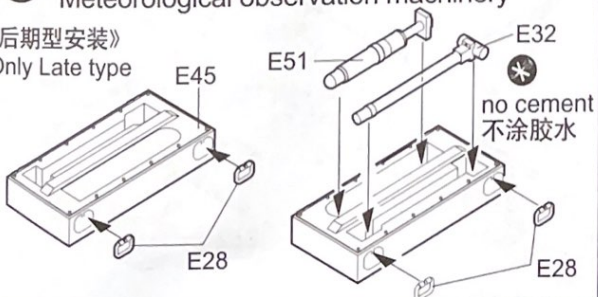


**15** 12.7mm机枪组装  
12.7mm machine gun assembly

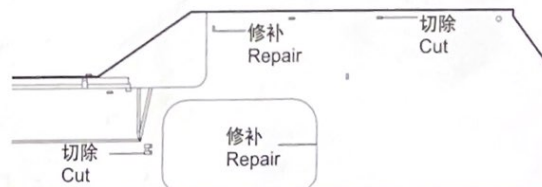


**16** 气象观测仪器组装  
Meteorological observation machinery

《后期型安装》  
Only Late type

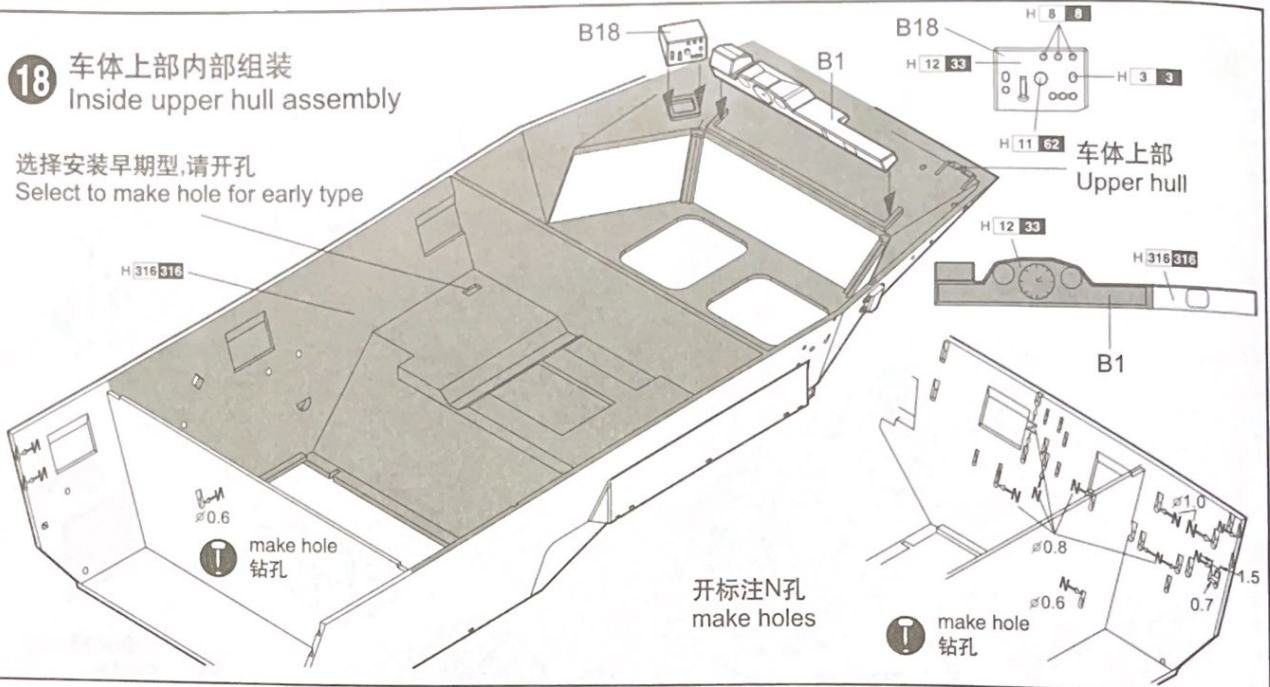


**17** 车体上部修补  
Upper hull repair

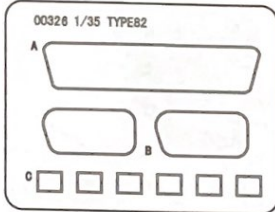


**18** 车体上部内部组装  
Inside upper hull assembly

选择安装早期型,请开孔  
Select to make hole for early type



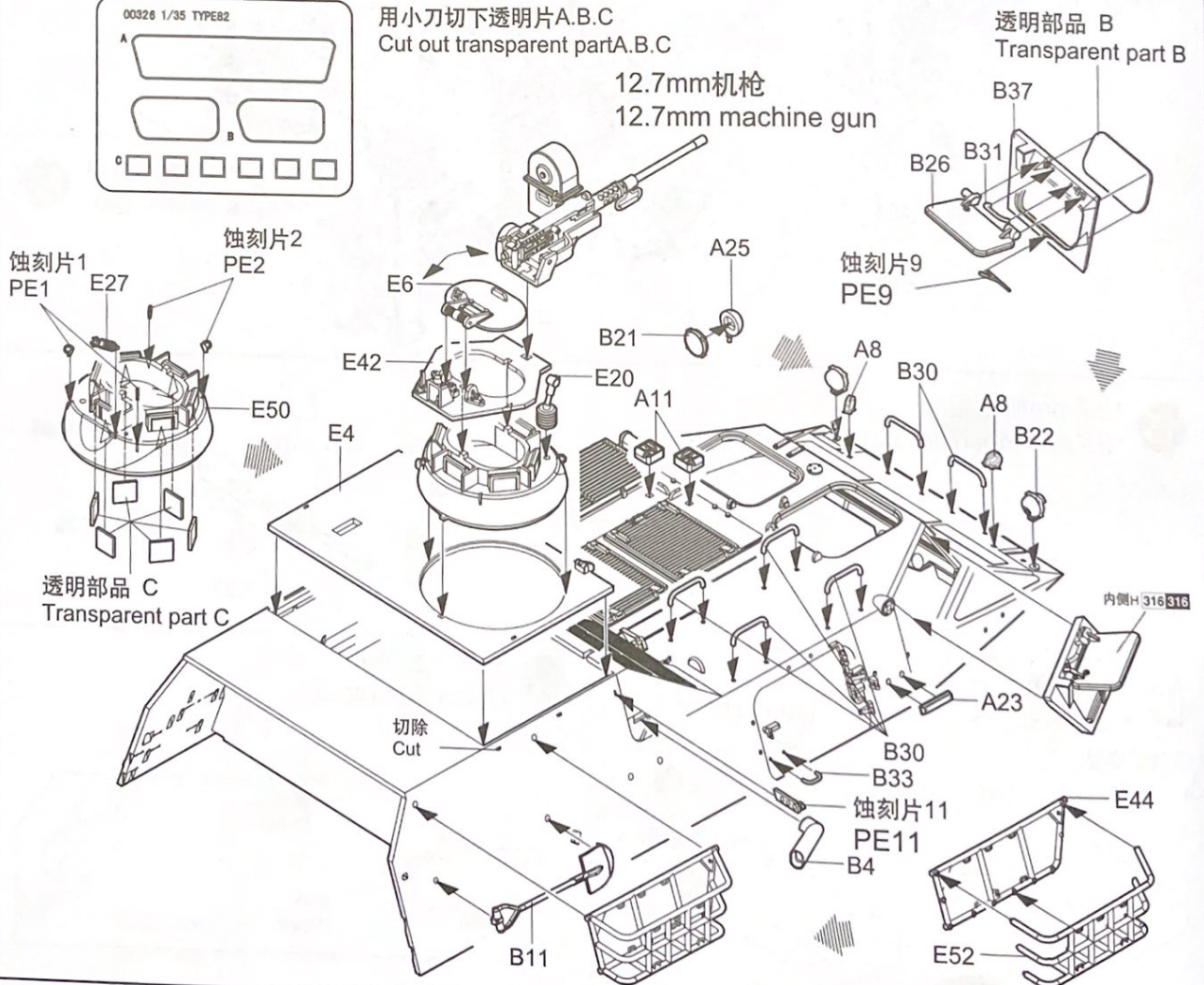
**19** 车体上部组装  
Upper hull assembly



用小刀切下透明片A.B.C  
Cut out transparent part A.B.C

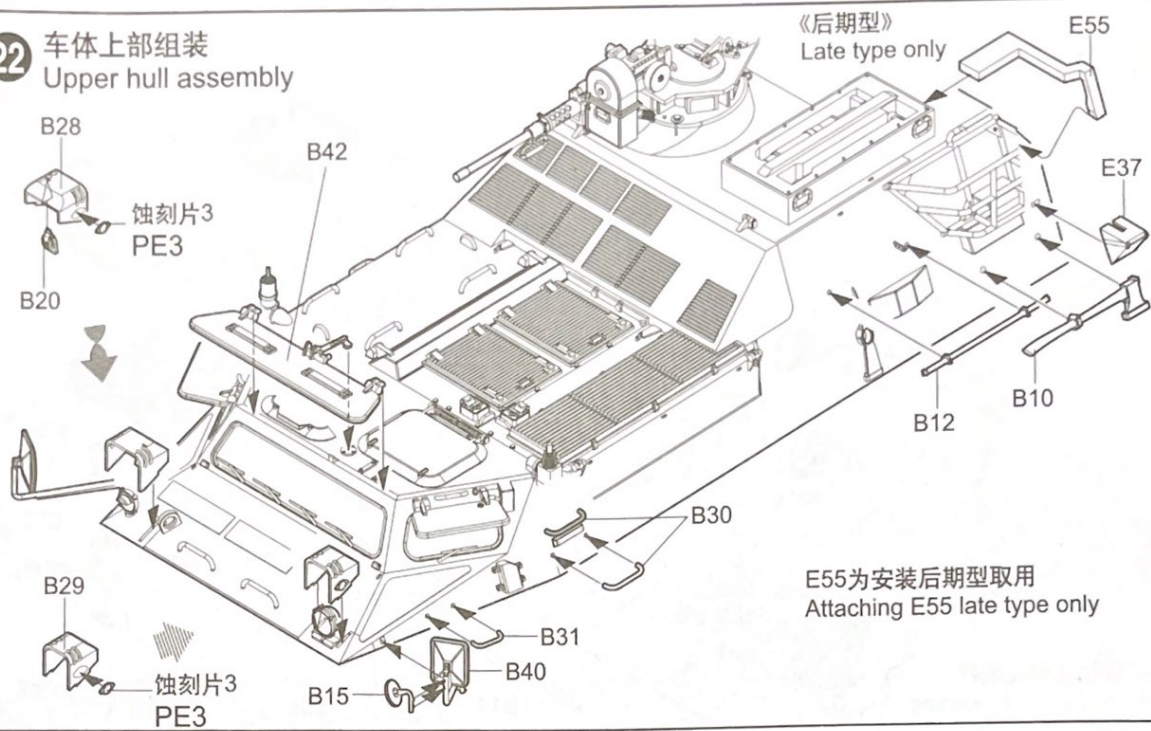
12.7mm机枪  
12.7mm machine gun

透明部品 B  
Transparent part B

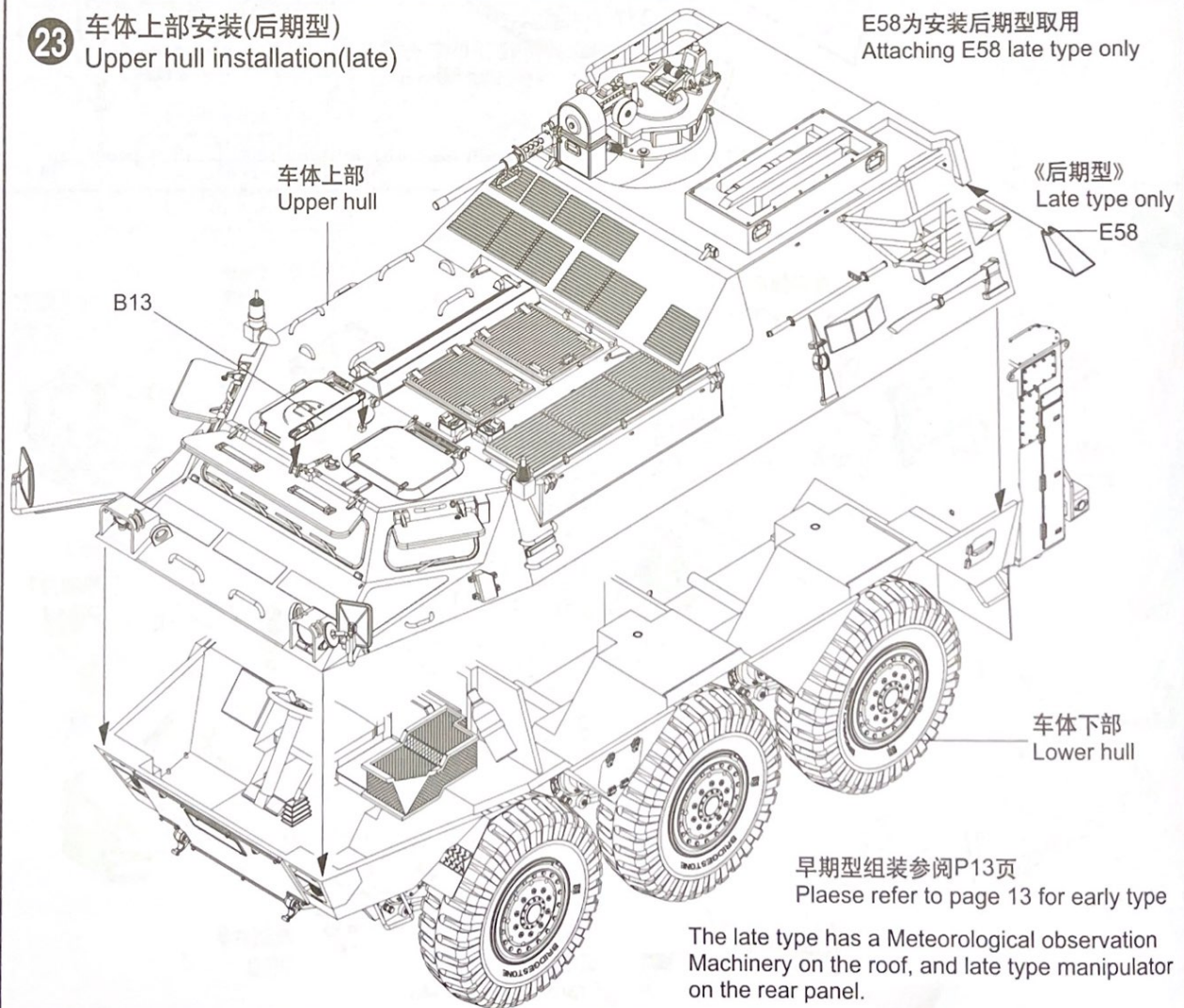




**22** 车体上部组装  
Upper hull assembly



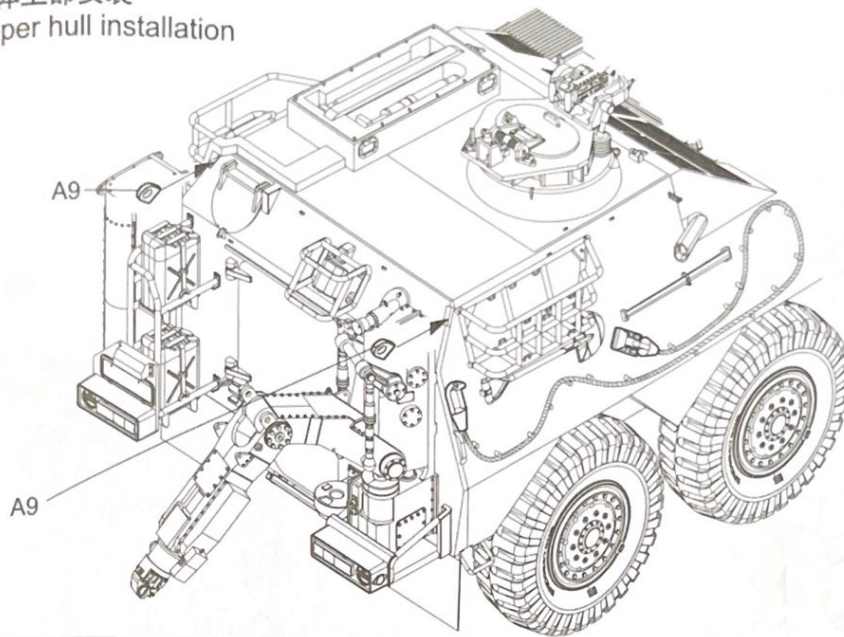
**23** 车体上部安装(后期型)  
Upper hull installation(late)



早期型组装参阅P13页  
Please refer to page 13 for early type

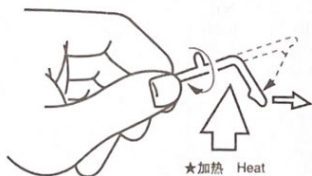
The late type has a Meteorological observation Machinery on the roof, and late type manipulator on the rear panel.

**24** 车体上部安装  
Upper hull installation



**25** 车体上部安装(早期)  
Upper hull installation(early)

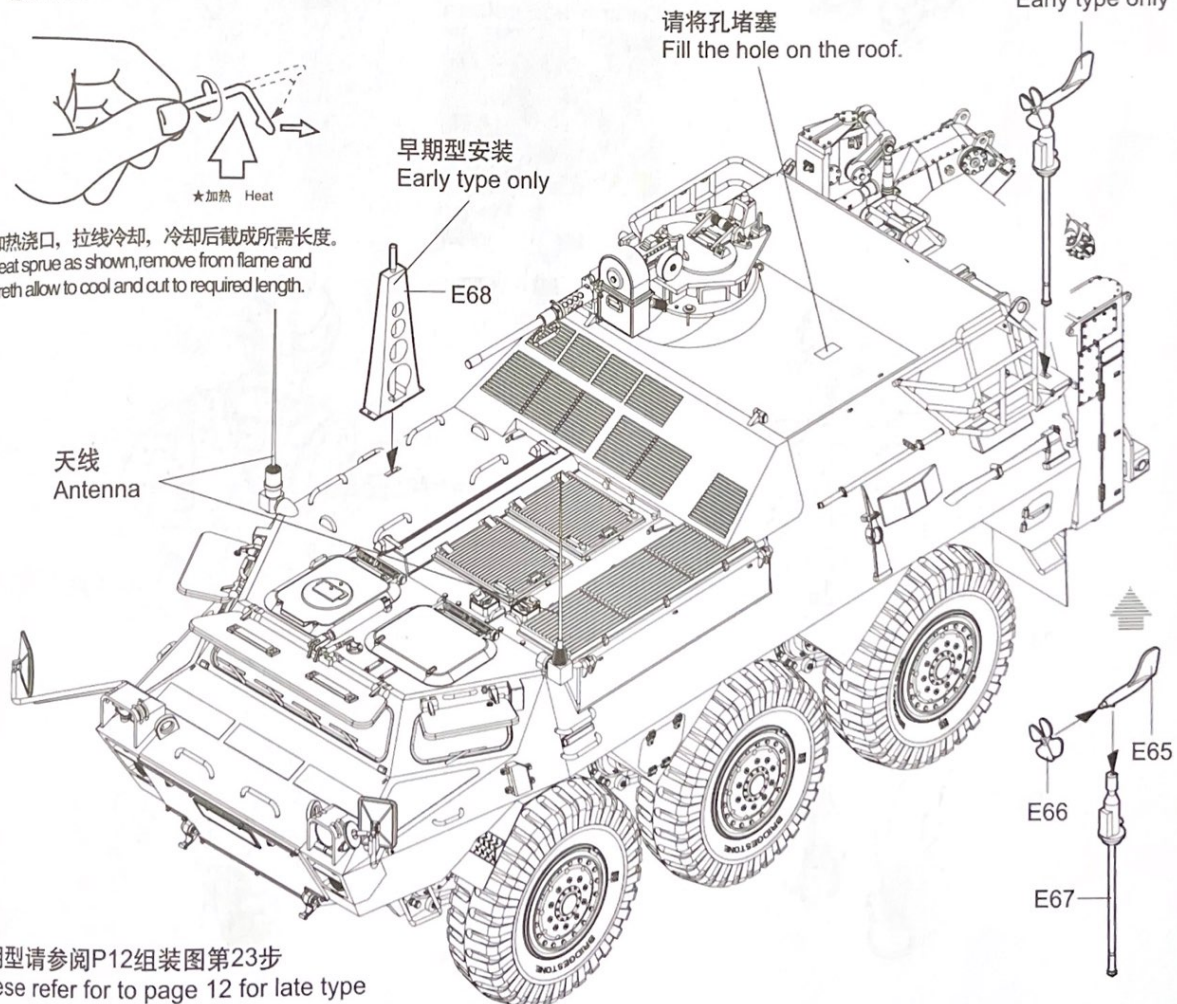
《天线制作》 How to make antenna



★加热浇口，拉线冷却，冷却后截成所需长度。  
Heat sprue as shown, remove from flame and stretch allow to cool and cut to required length.

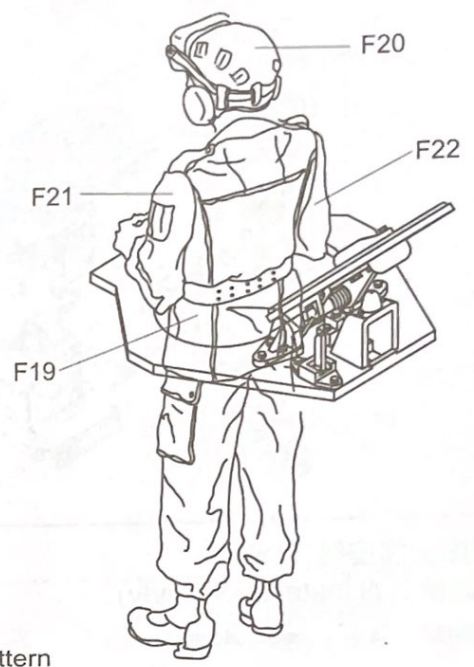
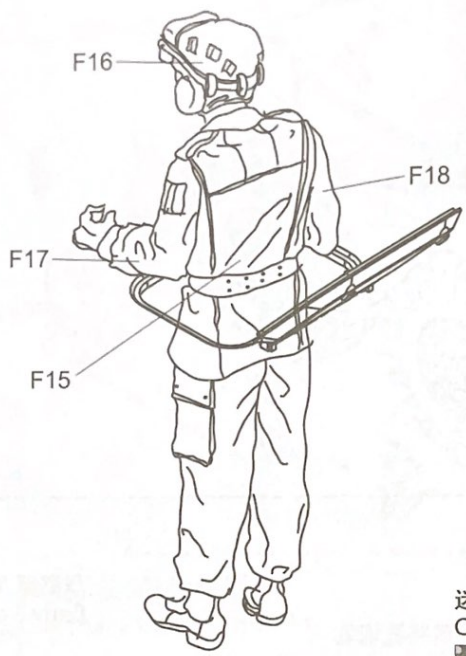
请将孔堵塞  
Fill the hole on the roof.

早期型安装  
Early type only

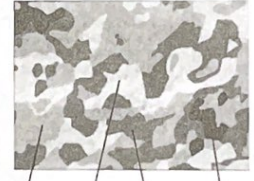


后期型请参阅P12组装图第23步  
Please refer for to page 12 for late type

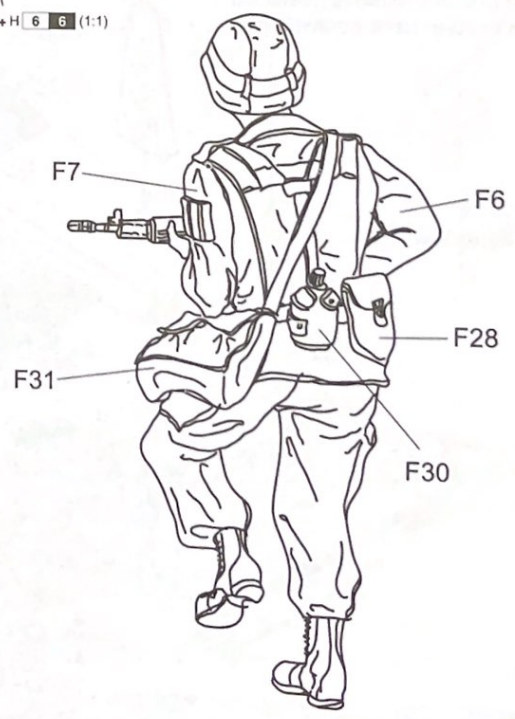
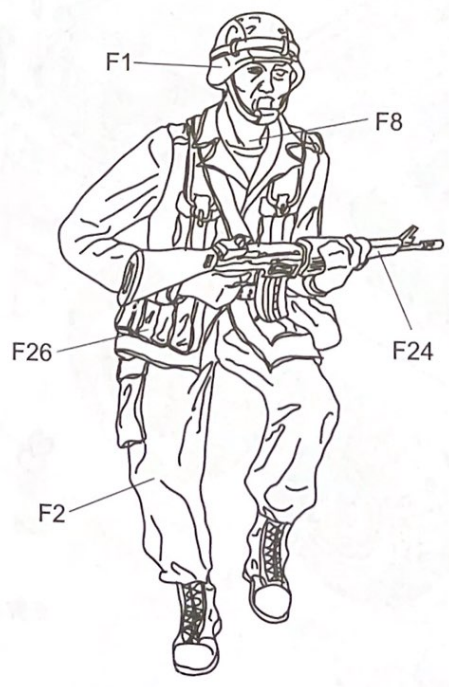
26 人形组装  
Crew assembly



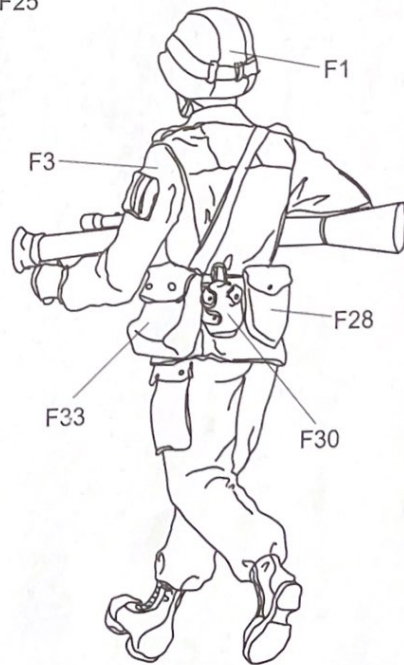
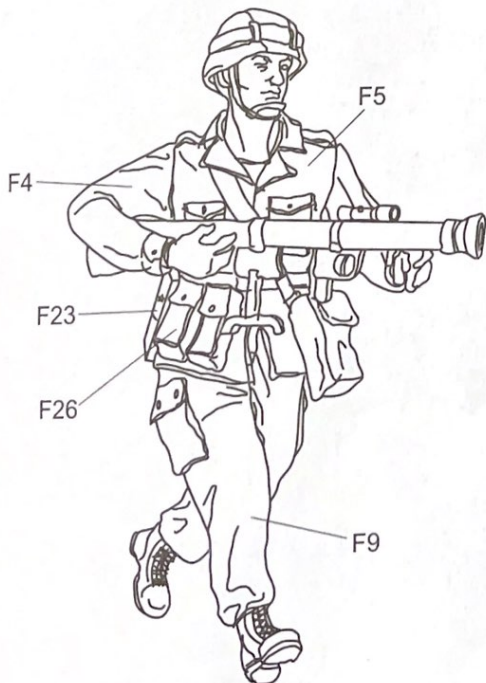
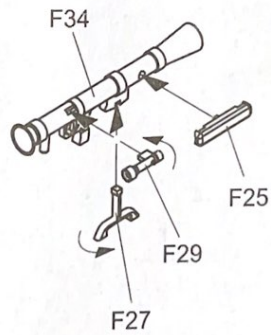
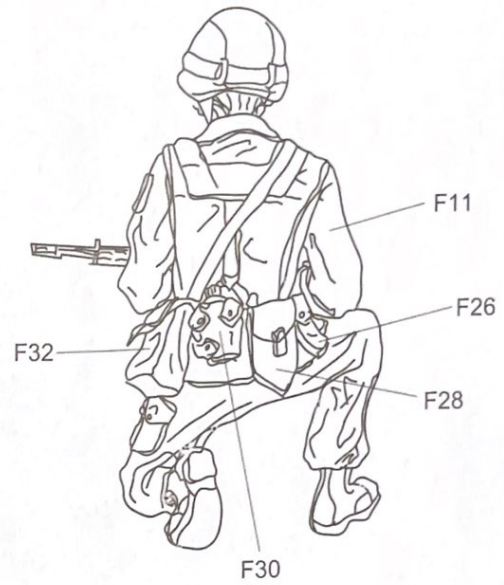
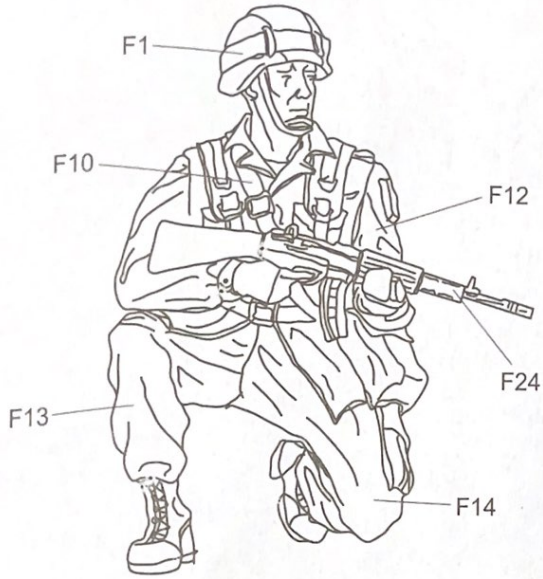
迷彩服图案  
Camouflage pattern



H 47 41    H 19    H 301 301  
H 19 + H 6 6 (1:1)

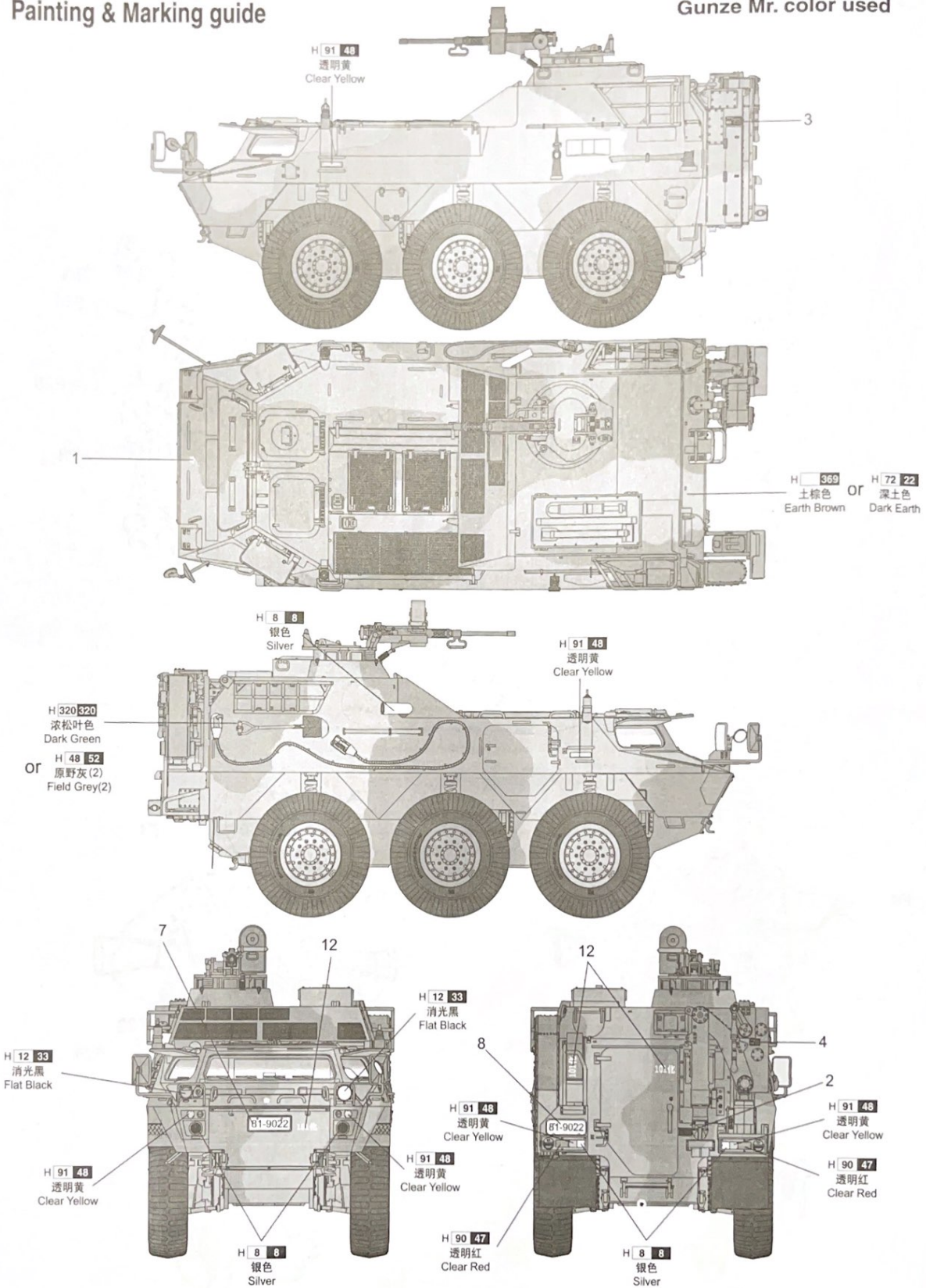


27 人形组装  
Crew assembly



涂装同标贴指示  
Painting & Marking guide

郡仕色使用  
Gunze Mr. color used



H 2 GUNZE SANGYO AQUEOUS HOBBY COLOUR

2 GUNZE SANGYO MR. COLOUR