

# Chinese "New Fighter"

## 1:72 SCALE

## 中国新型战斗机

### READ BEFORE ASSEMBLY

- Study and understand these instructions thoroughly before beginning assembly. Make sure all parts are included by comparing them to those shown on pages 2 & 3 of these instructions.
- Remove parts from sprues as needed, and trim excess with a hobby knife. Be careful not to lose small parts.
- Remove photo-etch parts from sprue as needed using a hobby knife or photo etch cutter.
- Apply cement to photo etch parts as shown on instructions. Applying too much cement will restrict the operation of these

movable parts. Apply cement carefully! Removed photo etch parts can have sharp edges. Take care when handling these to avoid injury.

- Apply decals to necessary parts prior to assembly.
- Additional tools recommended(not included):Sprue cutter, Long nose pliers, hobby knife, file, tweezers, pin vise, scissors, cement, sandpaper, soft cloth, glue and paint.
- Keep all parts out of reach of children, as they pose a choking hazard. Discard all unnecessary bags and sprues when model is completed to avoid accidental injury.

### 装配之前仔细阅读

- 小心用模型锉刀锉平所有零件表面的注射浇口。
- 小心用刀片切下蚀刻片零件，不要遗失小零件。
- 用强力快干胶水粘合蚀刻片零件和金属轴。过量的快干胶水使用可能导致可动零件会粘住，小心涂胶。
- 取蚀刻片时应特别注意安全，防止利边划伤手指。
- 某些零件表面需贴上水贴纸，请选择在装配的同时进行。
- 推荐模型工具(自备)：胶水，水口剪刀，长咀钳，刀片，锉刀，镊子钳，钻，剪刀，瞬间快干胶。
- 软布同砂纸同时也应该是必备工具。
- 请使用塑料胶水和油漆，模型内不含。
- 谨防小孩吸吮塑料零件，或者将塑料袋套在头上，制作时应将套材远离小孩接触。

### 水贴纸的使用:

1. 从水贴纸上剪下印花;
2. 将印花放入温水中浸10秒, 然后放在干净布上。
3. 拿着印花纸板将印花移到模型上;
4. 手指蘸水将印花移到适当的位置;
5. 用软布轻压印花直至水干, 气泡消失。

### DECAL APPLICATION

1. Cut off decal from sheet.
2. Dip the decal in tepid water 40° C for about 10 sec. and place on a clean cloth.
3. Hold the backing sheet edge and slide decal onto the model.
4. Move decal into position by wetting decal with finger.
5. Press decal gently down with a soft cloth until excess water and air bubbles are gone.



cyanoacrylate glue  
使用强力胶



weight  
配重



make hole  
钻孔



cut / remove  
切除



option  
选择



no cement  
不涂胶水



decal  
贴纸



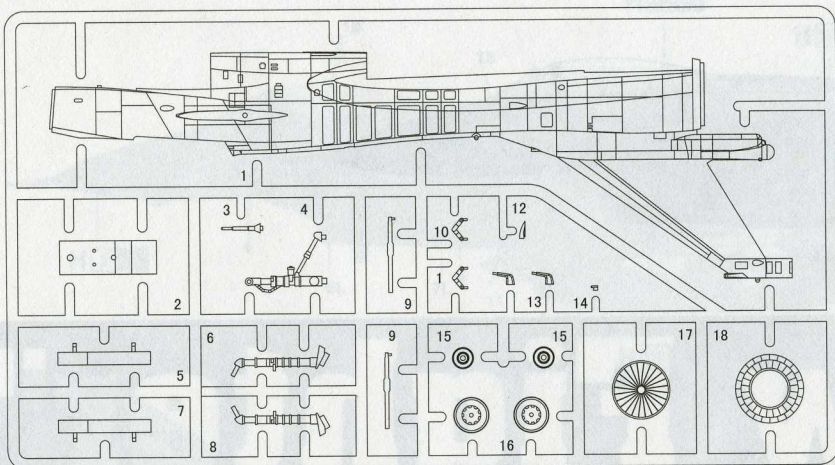
bend  
弯曲



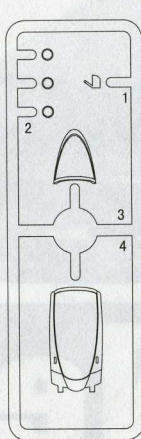
file / sand  
锉平

# 部品图 Parts

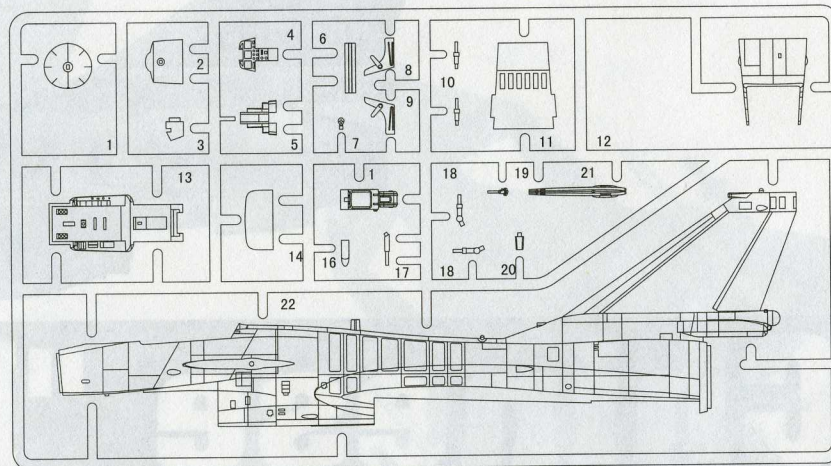
A



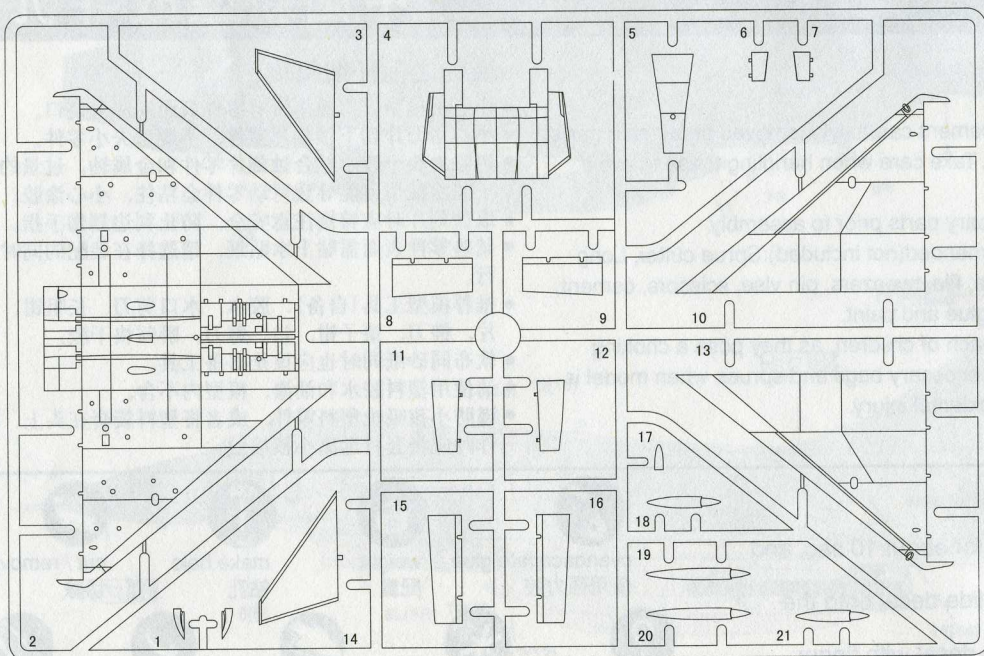
E



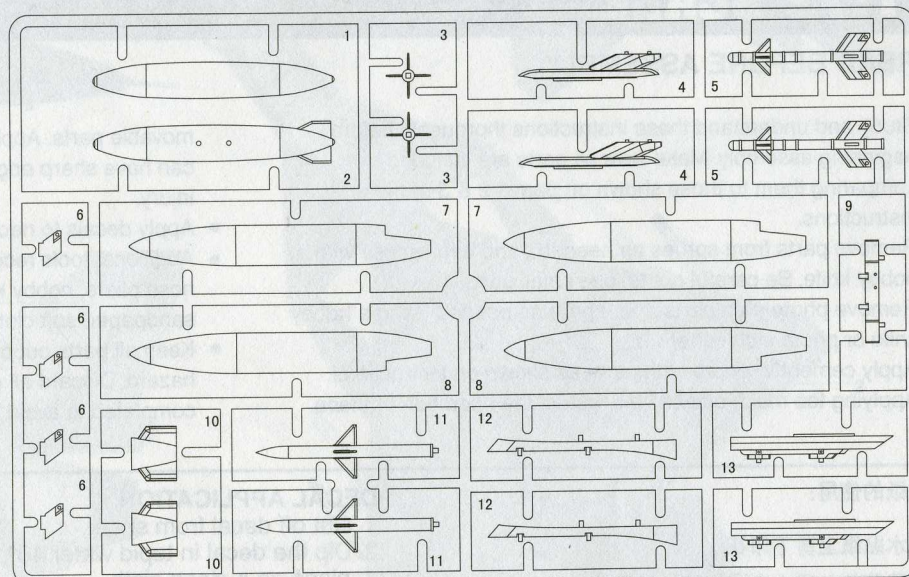
B



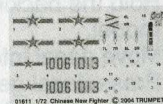
C



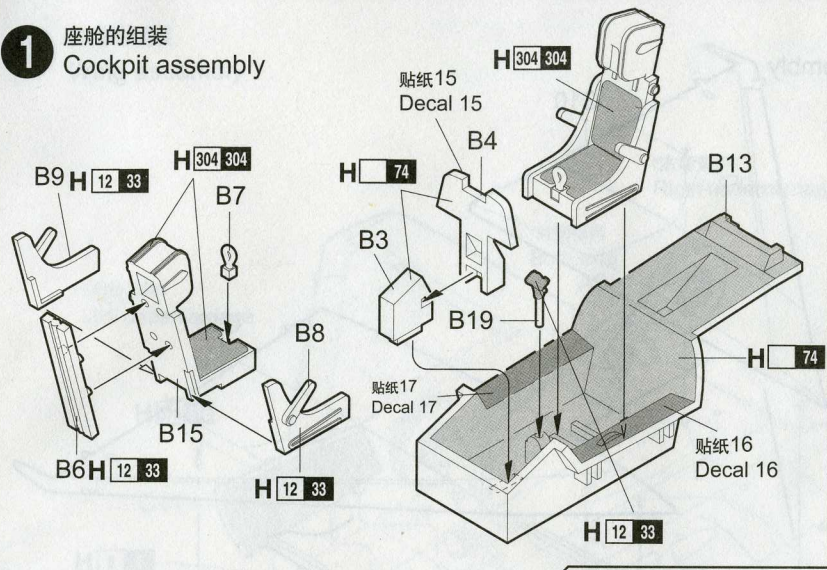
D



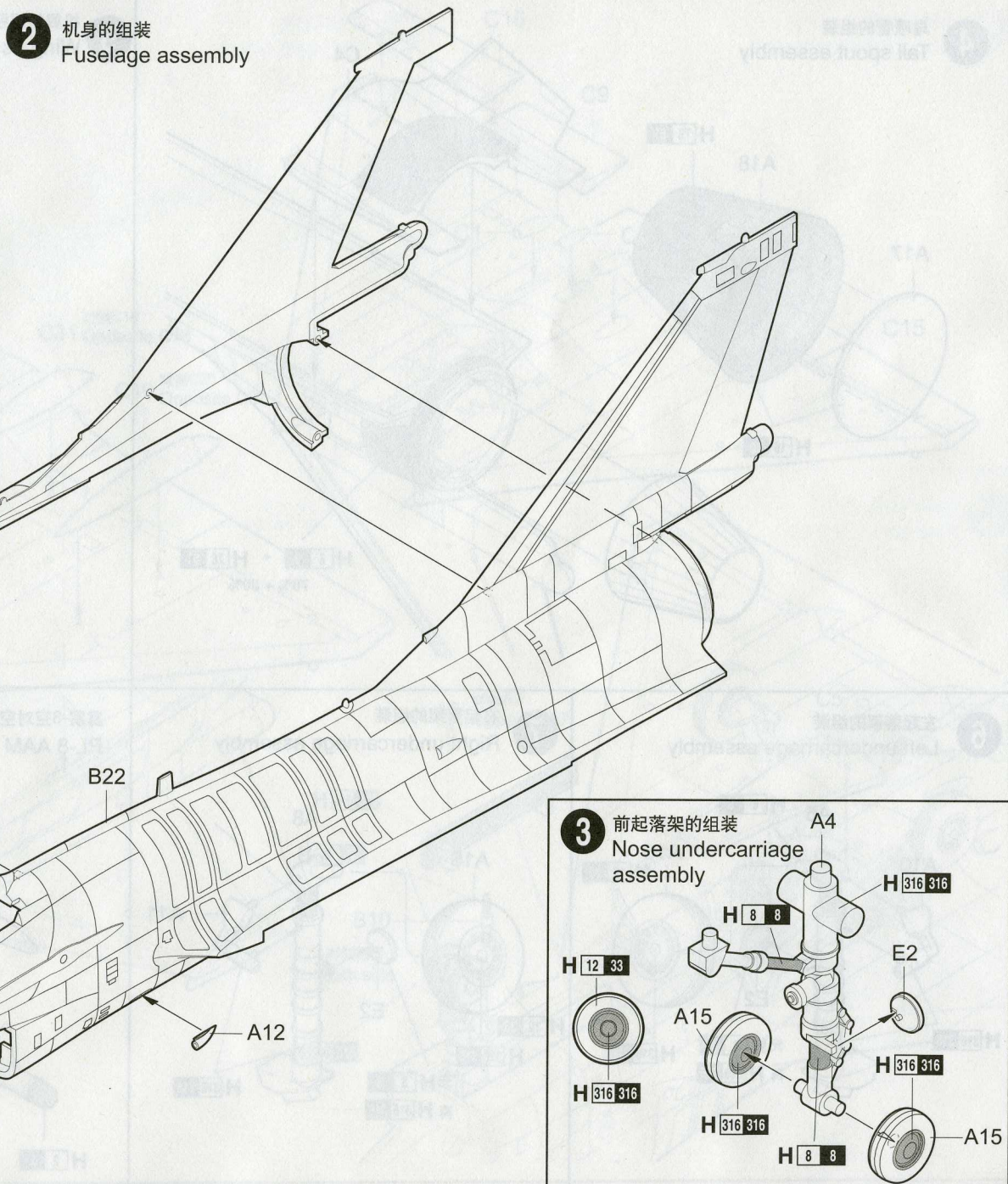
《贴纸》 1pcs  
Decal



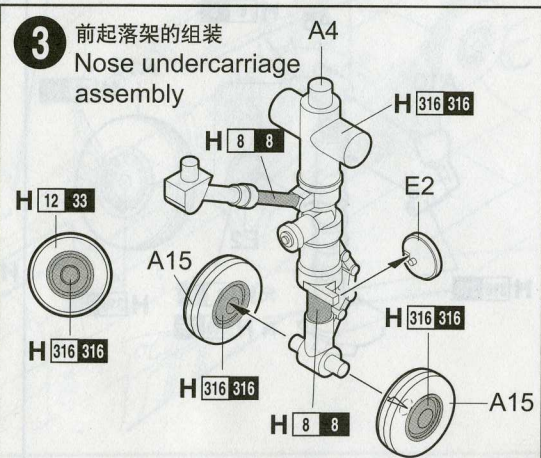
**1** 座舱的组装  
Cockpit assembly



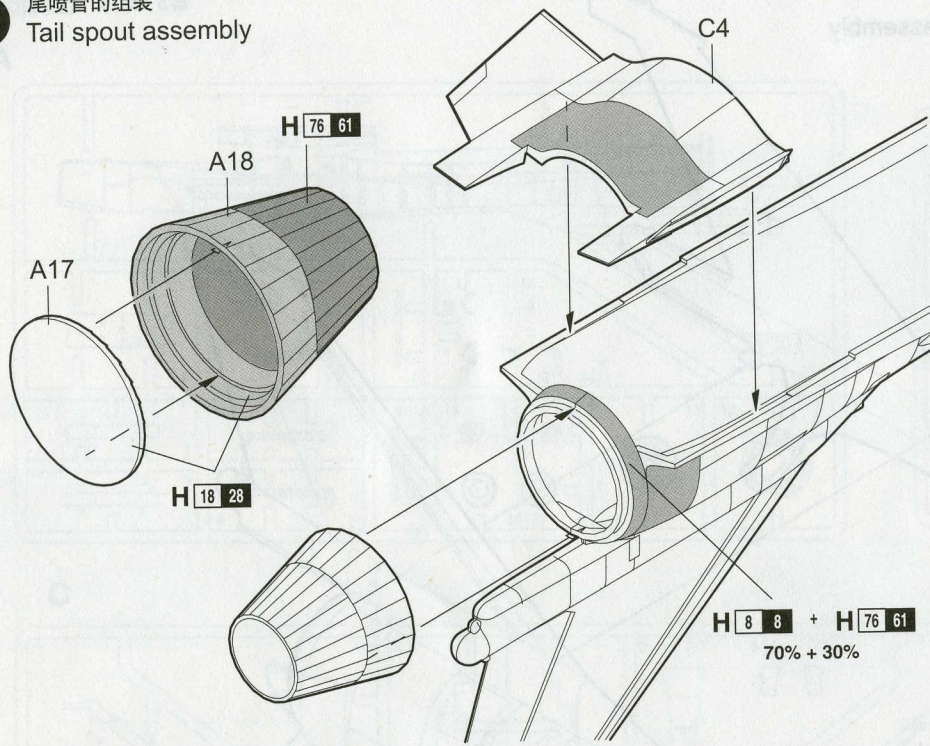
**2** 机身的组装  
Fuselage assembly



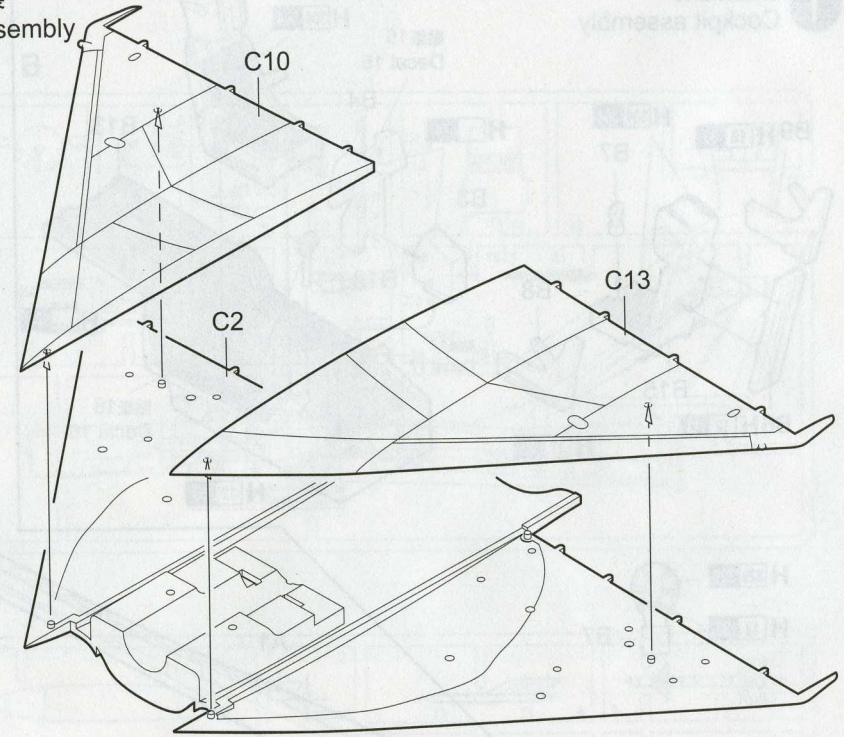
**3** 前起落架的组装  
Nose undercarriage assembly



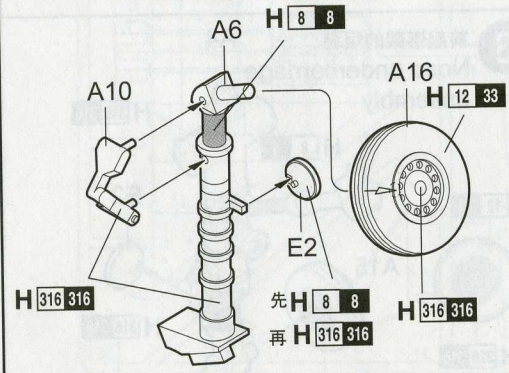
**4** 尾喷管的组装  
Tail spout assembly



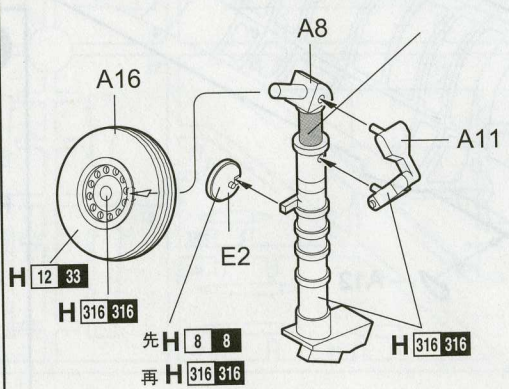
**5** 机翼的组装  
Wing assembly



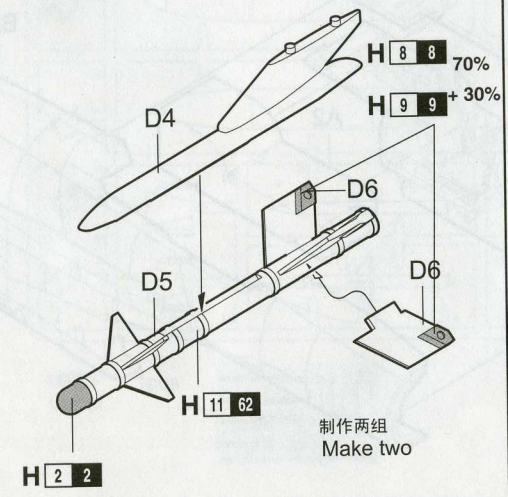
**6** 左起落架的组装  
Left undercarriage assembly



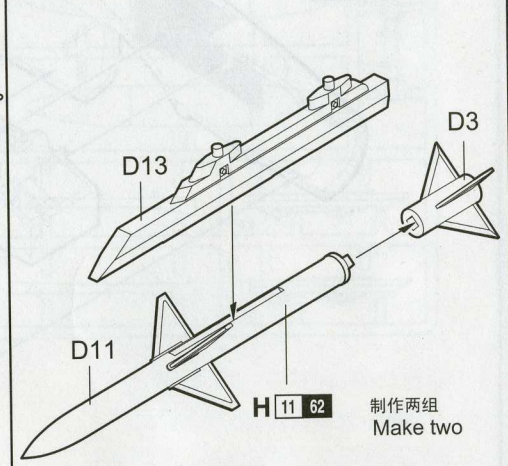
**7** 右起落架的组装  
Right undercarriage assembly



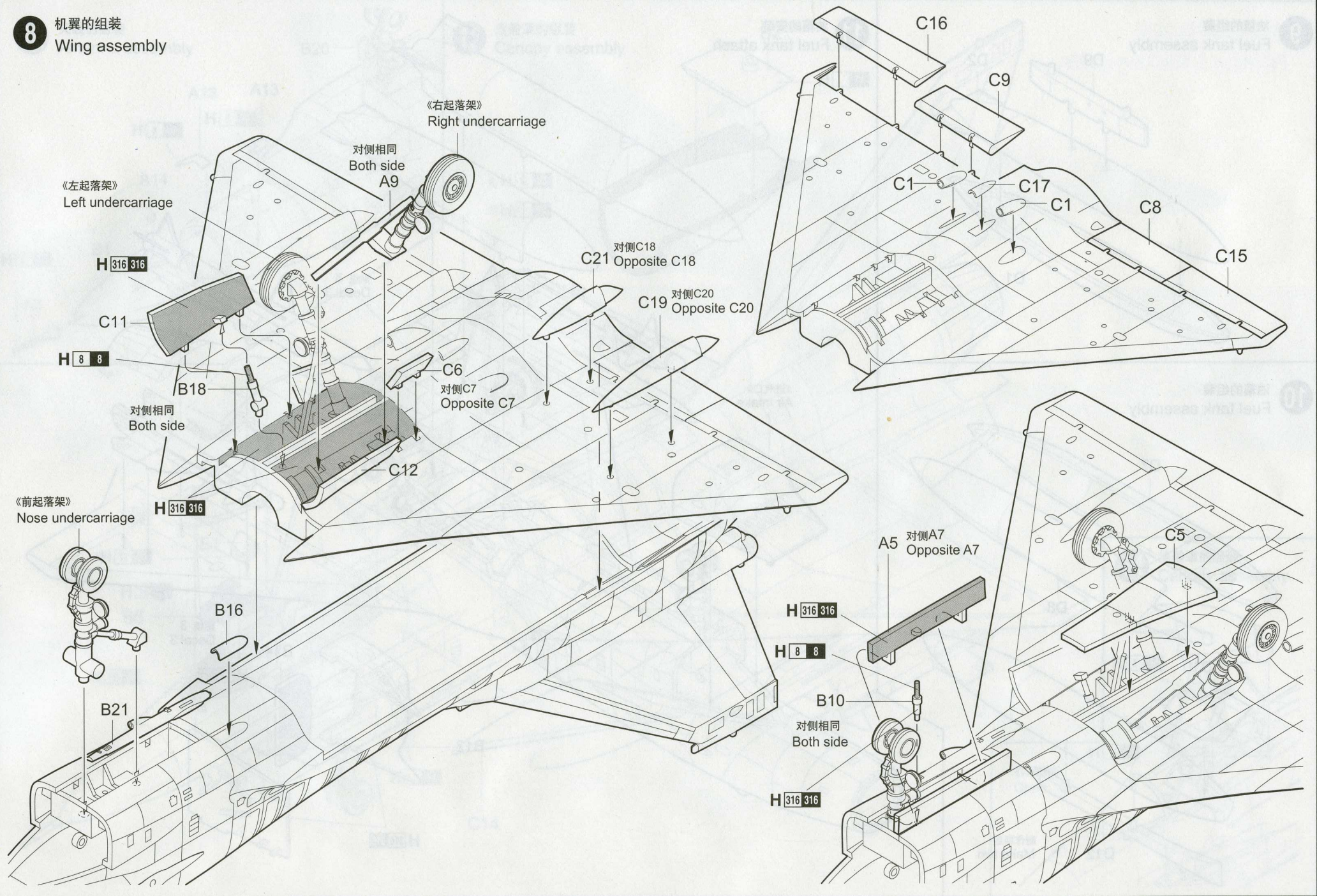
霹雳-8空空导弹  
PL-8 AAM



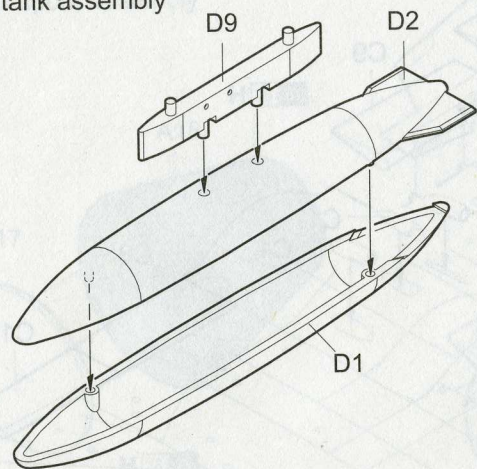
霹雳-10空空导弹  
PL-10 AAM



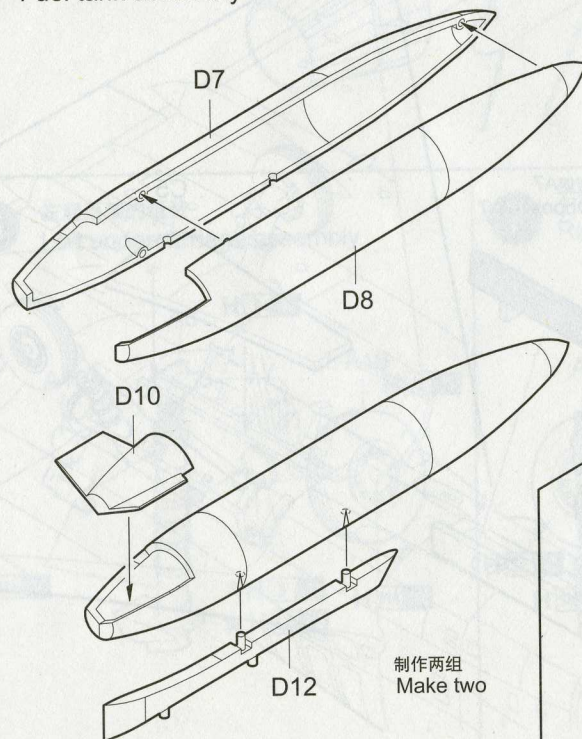
**8** 机翼的组装  
Wing assembly



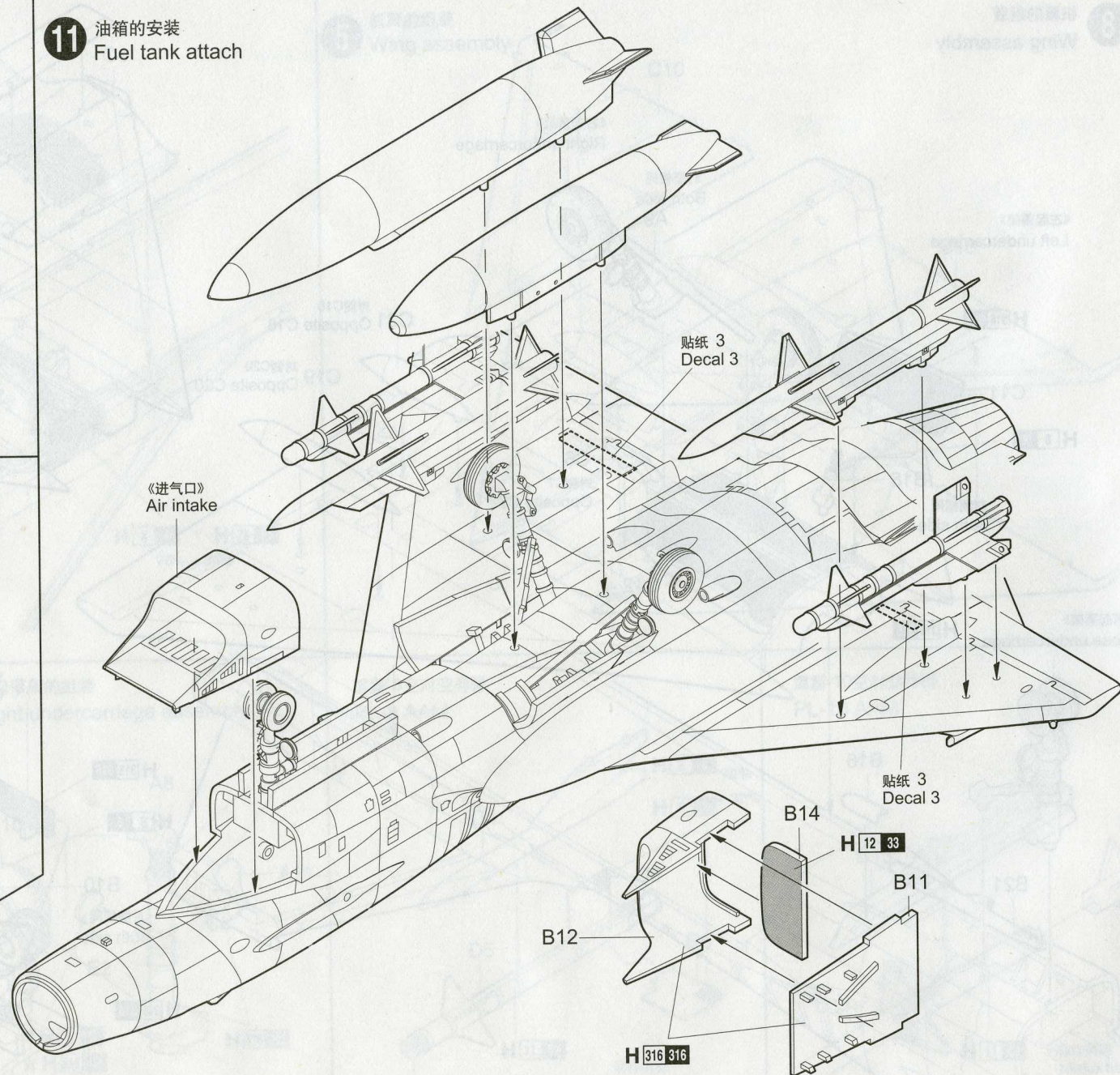
**9** 油箱的组装  
Fuel tank assembly



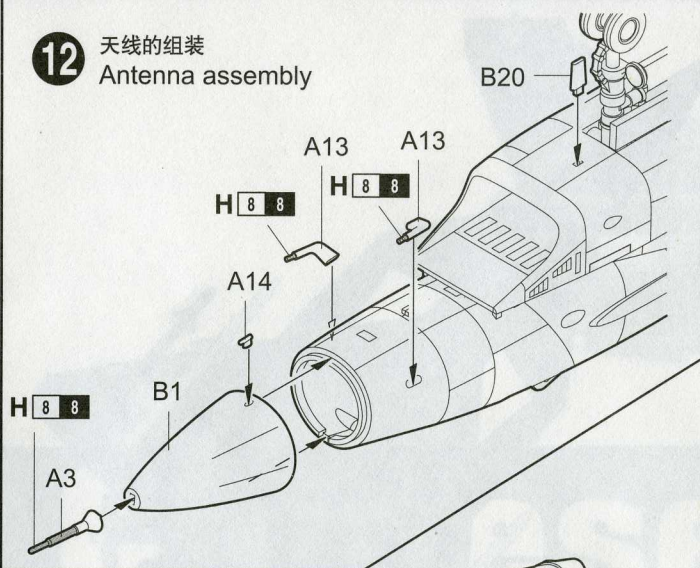
**10** 油箱的组装  
Fuel tank assembly



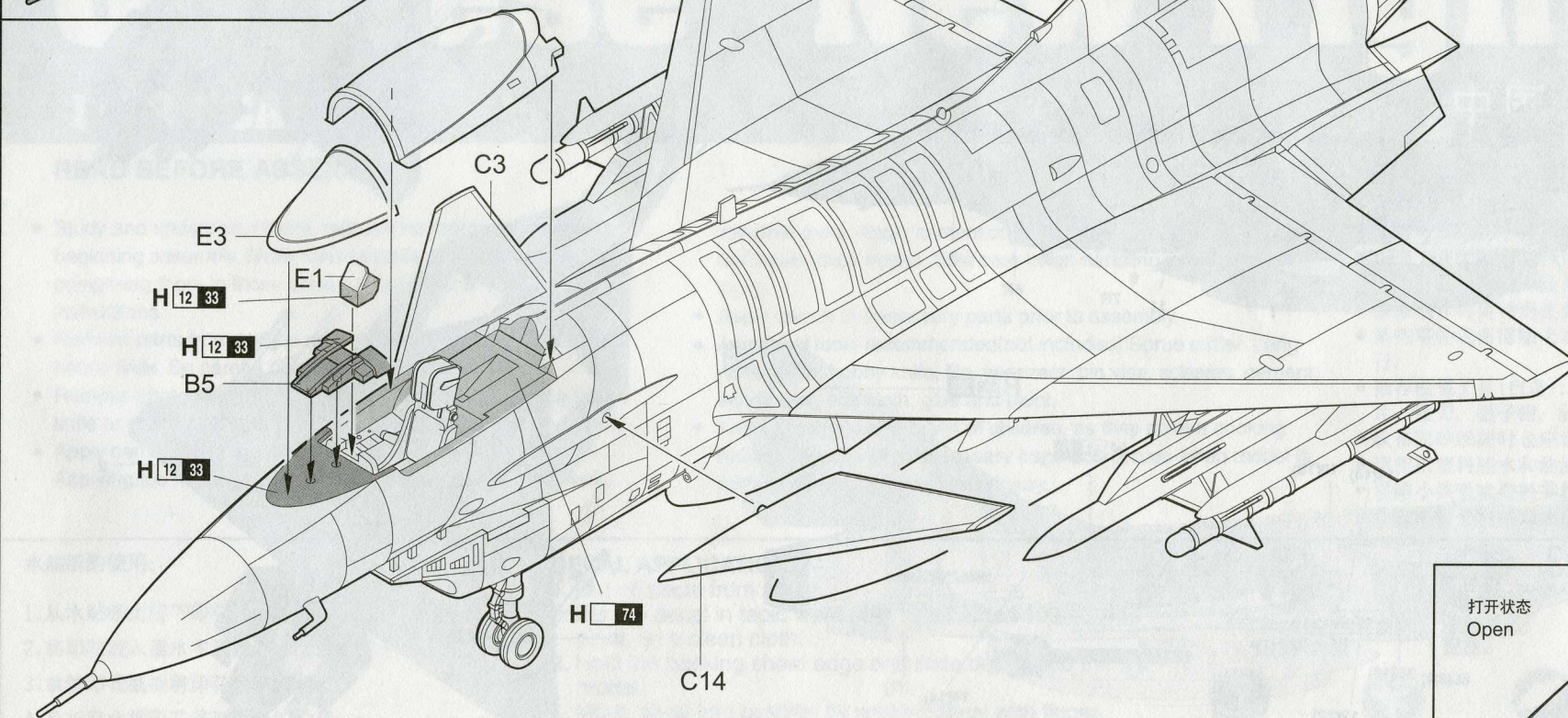
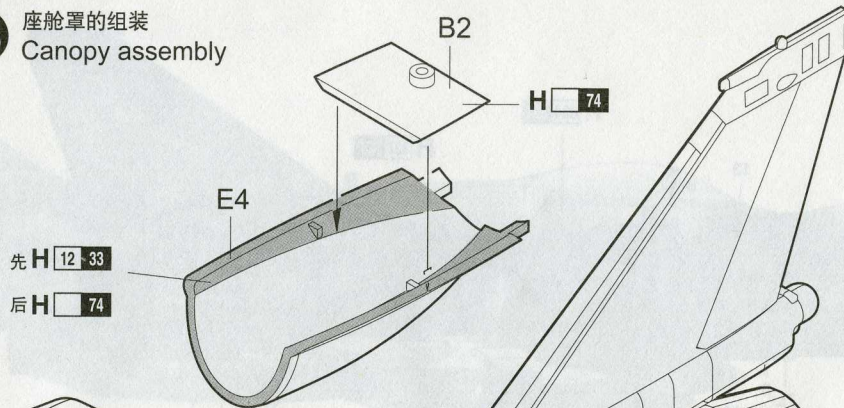
**11** 油箱的安装  
Fuel tank attach



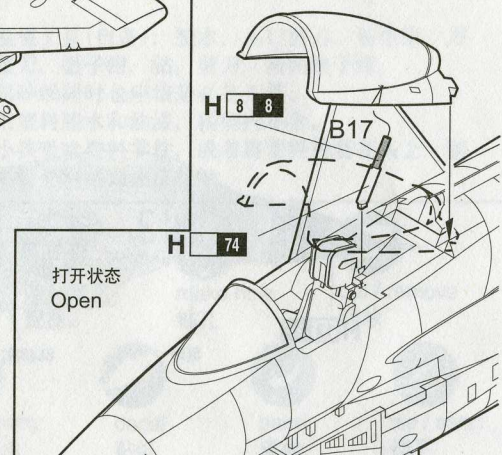
**12** 天线的组装  
Antenna assembly



**13** 座舱罩的组装  
Canopy assembly



**14** 座舱罩的组装  
Canopy assembly



涂装同标贴指示  
Painting & Marking guide

