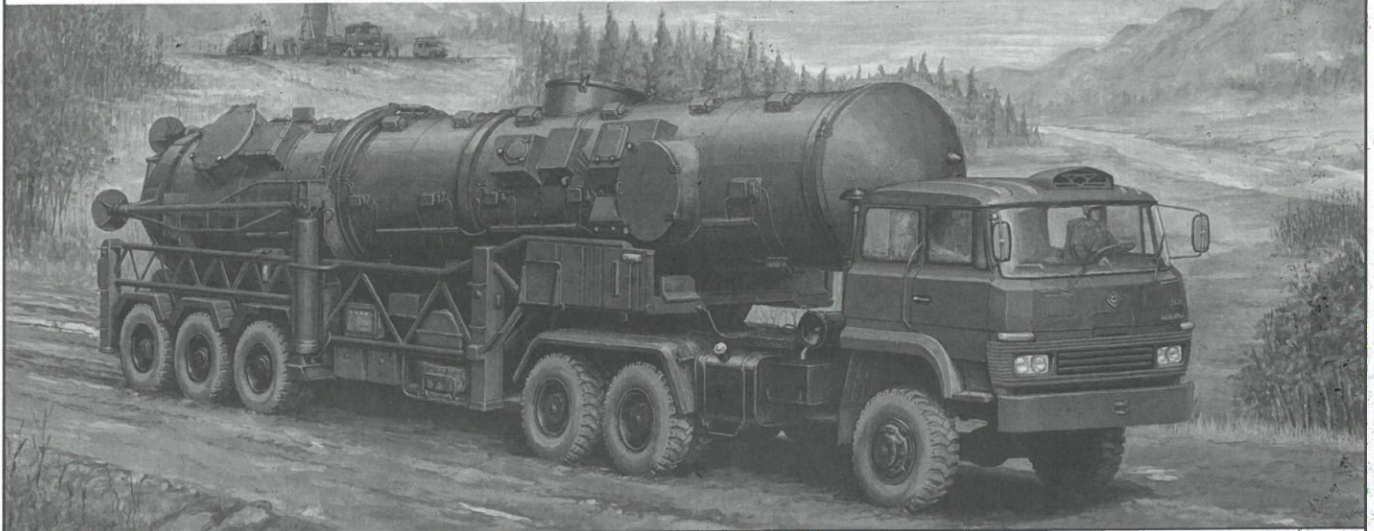


1:35 SCALE

DF-21 Ballistic missile launcher

中国新型中程战略导弹运输发射车



READ BEFORE ASSEMBLY

- Study and understand this instructions thoroughly before beginning assembly.
- Remove all injection pins careful using a modeling file.
- Cut off the photo-etched parts carefully using a modeling knife. Be sure not to lose small parts.
- Apply instant cement to photo etched parts and shafts. Apply too much instant cement will cause movable parts to stick. Apply cement carefully.
- Extra care should be taken to avoid personal injury when handling the photo etched parts.
- Some parts should depend on decals. Select prior to assembly.
- Tools recommended: (Not included in this kit)
- Cement; Side cutters; Long nose pliers; Modeling knife; Modeling life; Tweezers; Pin vise; Scissors; Instant cement.
- Soft cloth and sand paper will also assist in construction.
- Glue and paints are not included in the kit. Use plastic cement or paints only.
- Keep out of reach of small children. Children must not be allowed to suck any part, or pull vinyl bag over the head.

装配之前仔细阅读

- 小心用模型锉刀锉平所有零件表面的注射浇口。
- 小心用刀片切下蚀刻片零件，不要遗失小零件。
- 用强力快干胶水粘合蚀刻片零件和金属轴。过量的快干胶水使用可能导致可动零件会粘住，小心涂胶。
- 取蚀刻片时应特别注意安全，防止利边划伤手指。
- 某些零件表面需贴上水贴纸，请选择在装配的同时进行。
- 推荐模型工具(自备)：胶水，水口剪刀，长咀钳，刀片，锉刀，镊子钳，钻，剪刀，瞬间快干胶。
- 软布同砂纸同时也应该是必备工具。
- 请使用塑料胶水和油漆，模型内不含。
- 谨防小孩吸吮塑料零件，或者将塑料袋套在头上，制作时应将套材远离小孩接触。

颜色指示
COLOR

H 1 1	- 白色	White	H 13	- 消光红	Flat red
H 2 2	- 黑色	Black	H 14 59	- 橘红	Orange
H 3 3	- 红色	Red	H 17 29	- 舰底色	Cocoa brown
H 4 4	- 黄色	Yellow	H 41	- 浅绿色	Pale green
H 6 6	- 绿色	Green	H 76 61	- 烧铁色	Burnt iron
H 8 8	- 银色	Silver	H 91 48	- 透明黄	Clear yellow
H 11 62	- 消光黑	Flat black	H 92 49	- 透明橘	Clear orange
H 78 38	- 橄榄绿	Olive darb	H 310 310	- 棕色	Brown
H 330 330	- 深绿色	Dark green			

cyanoacrylate glue
使用强力胶weight
配重make hole
钻孔cut / remove
切除bend
弯曲file / sand
锉平option
选择no cement
不涂胶水decal
贴纸

水贴纸的使用:

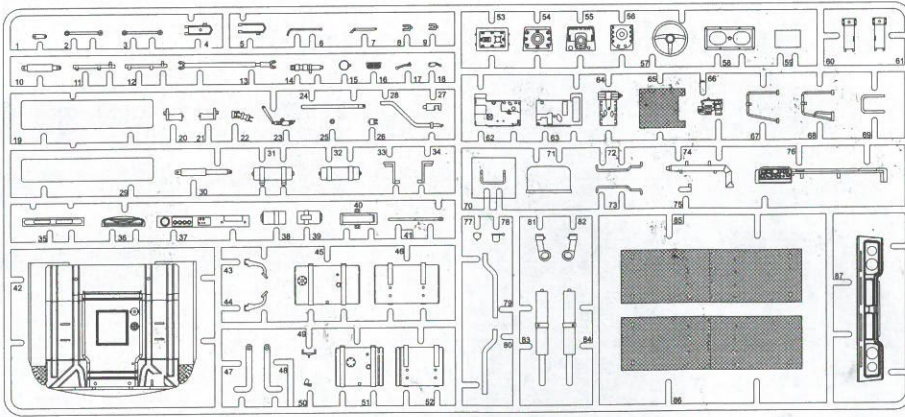
1. 从水贴上剪下印花;
2. 将印花放入温水中浸10秒，然后放在干净布上。
3. 拿着印花纸板将印花移到模型上;
4. 手指蘸水将印花移到适当的位置;
5. 用软布轻压印花直至水干，气泡消失。

DECAL APPLICATION

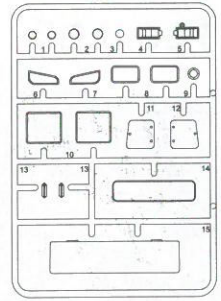
1. Cut off decal from sheet.
2. Dip the decal in tepid water 40°C for about 10 sec. and place on a clean cloth.
3. Hold the backing sheet edge and slide decal onto the model.
4. Move decal into position by wetting decal with finger.
5. Press decal gently down with a soft cloth until excess water and air bubbles are gone.

部品图 Parts

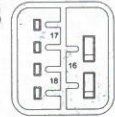
B



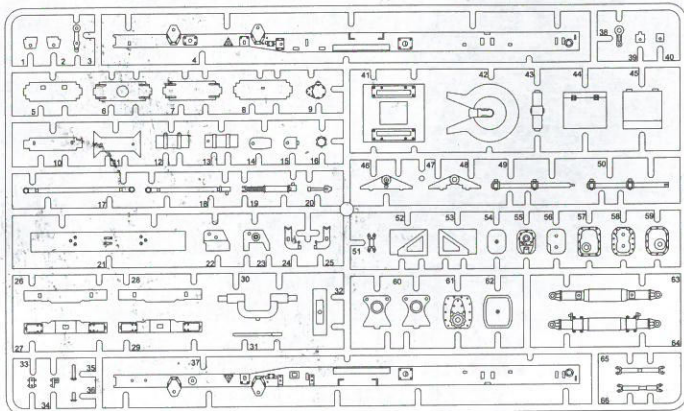
G1



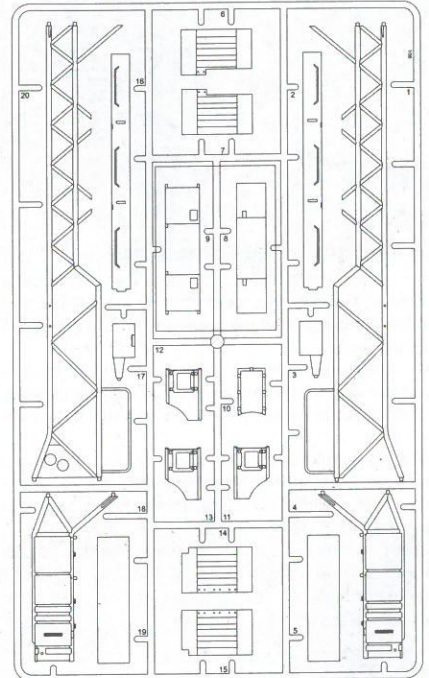
G3



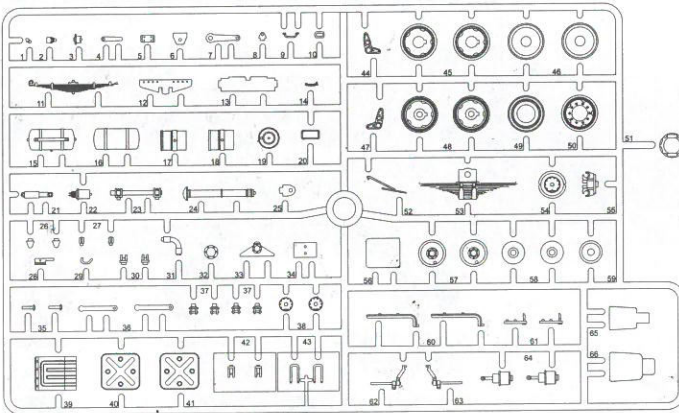
A



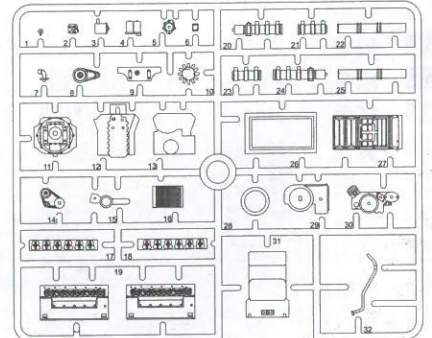
H



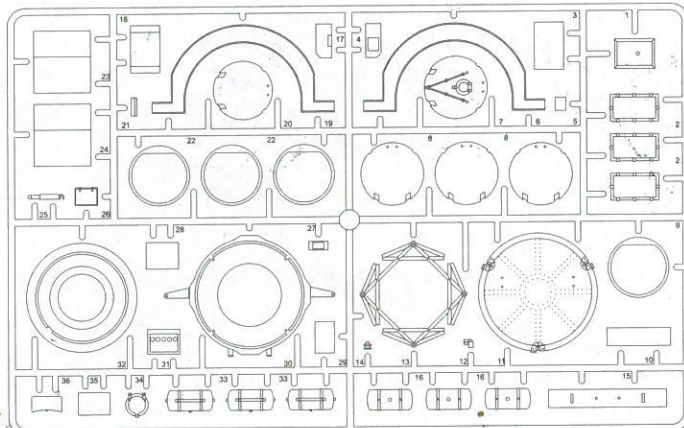
Cx2



E



I



轮胎 I
Tyre I



x10

轮胎 II
Tyre II



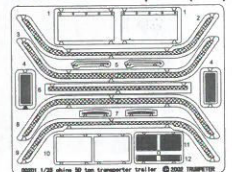
x8

轮胎 III
Tyre III

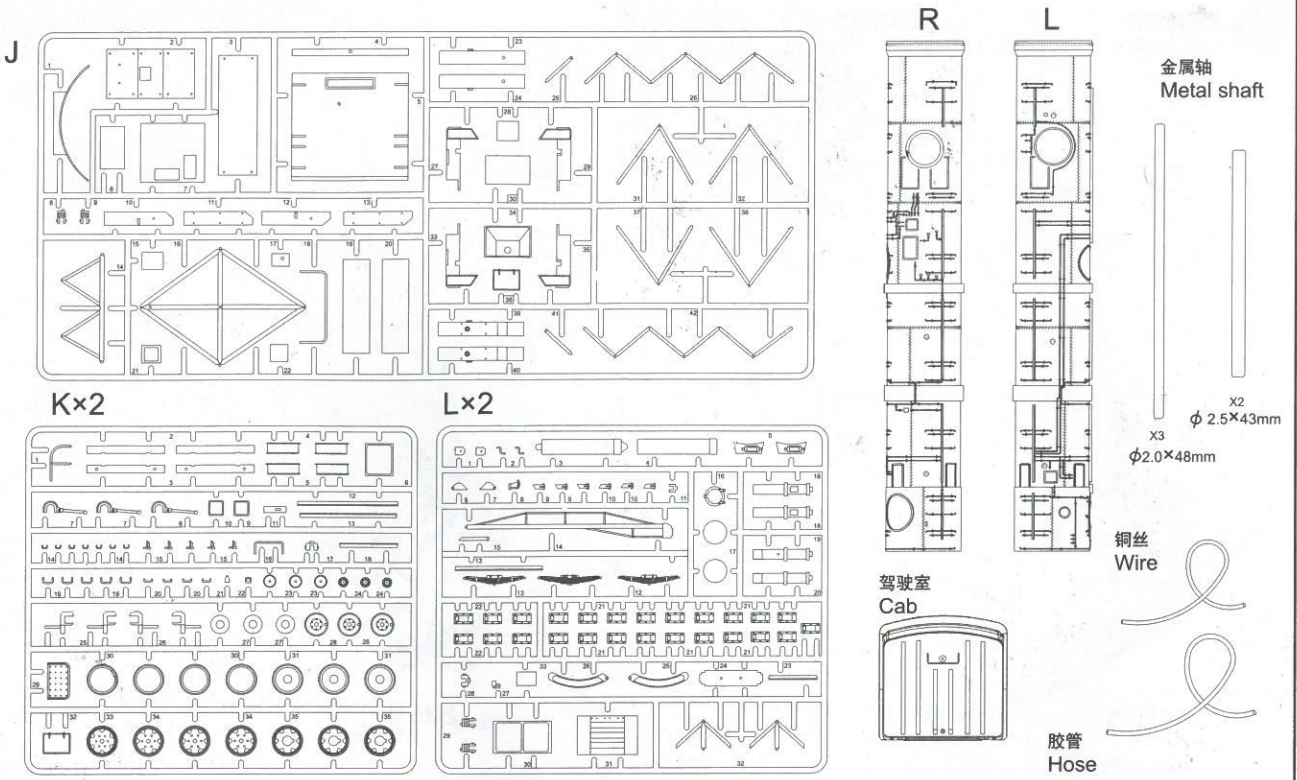


x6

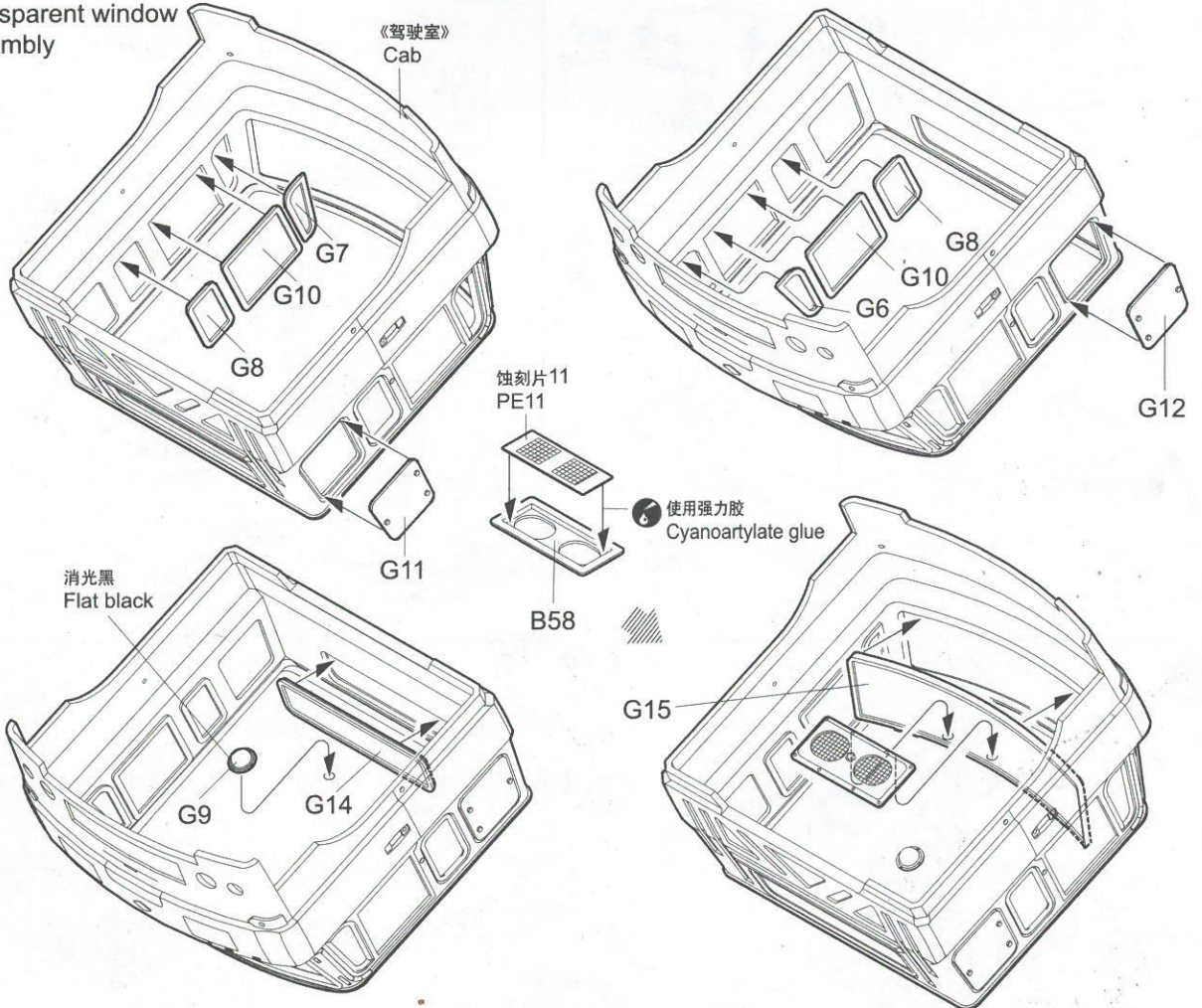
蚀刻片
Photo etched part (PE)



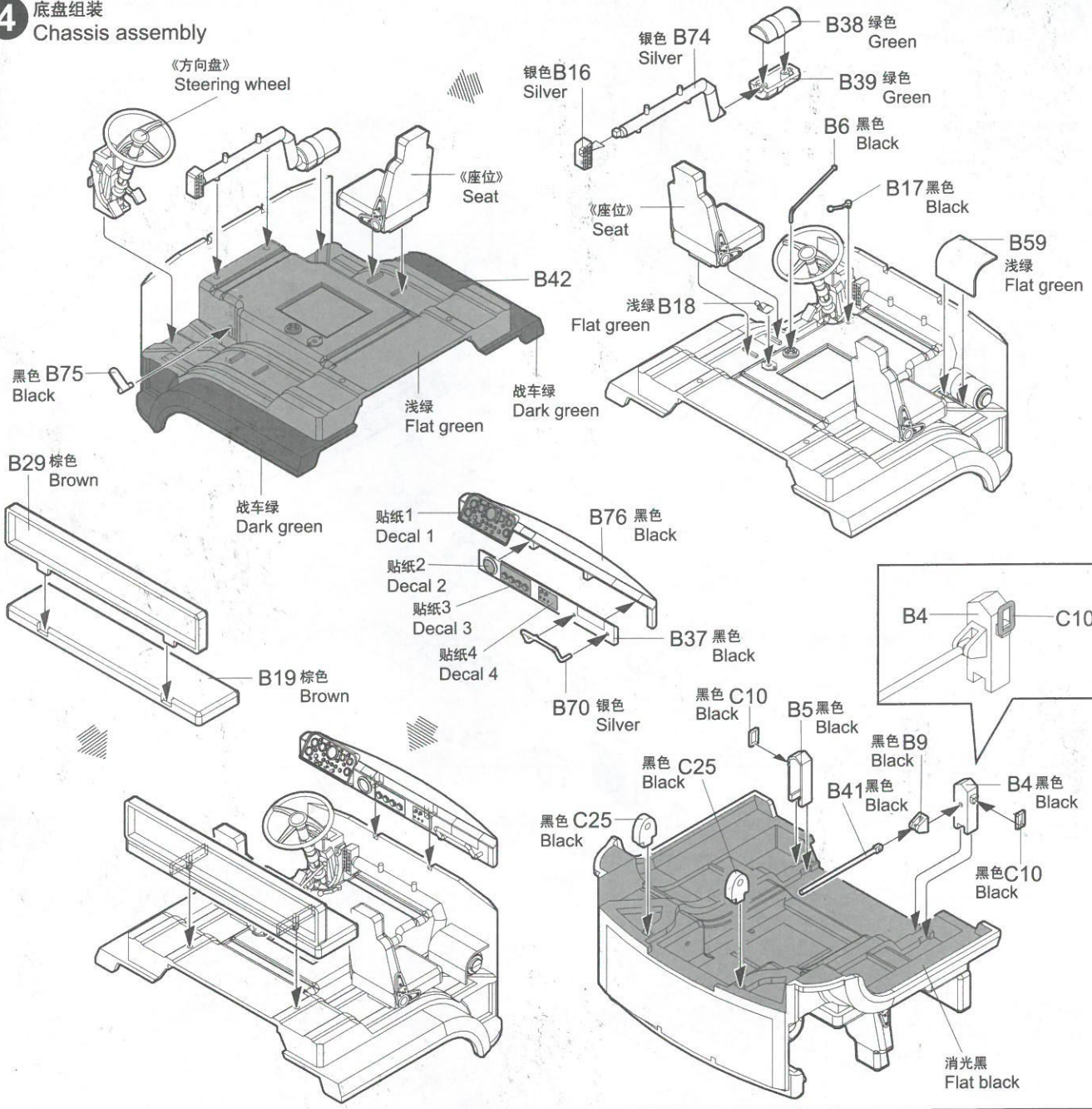
0001 1/28 White 30 Ton Transporter 001101 © 2005 TAMIYA



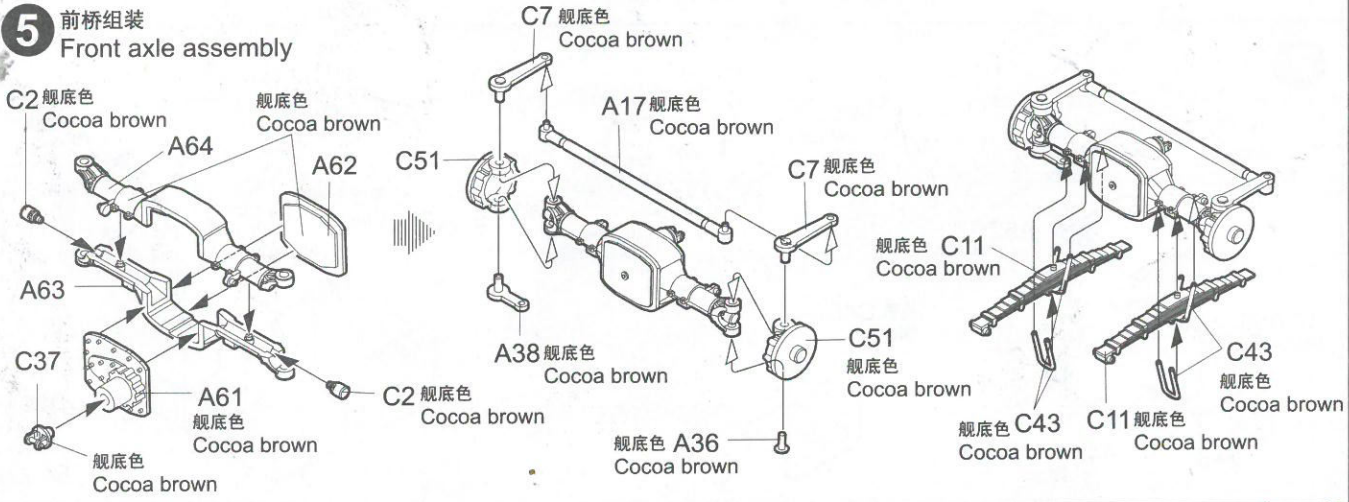
1 透明窗组装
Transparent window assembly



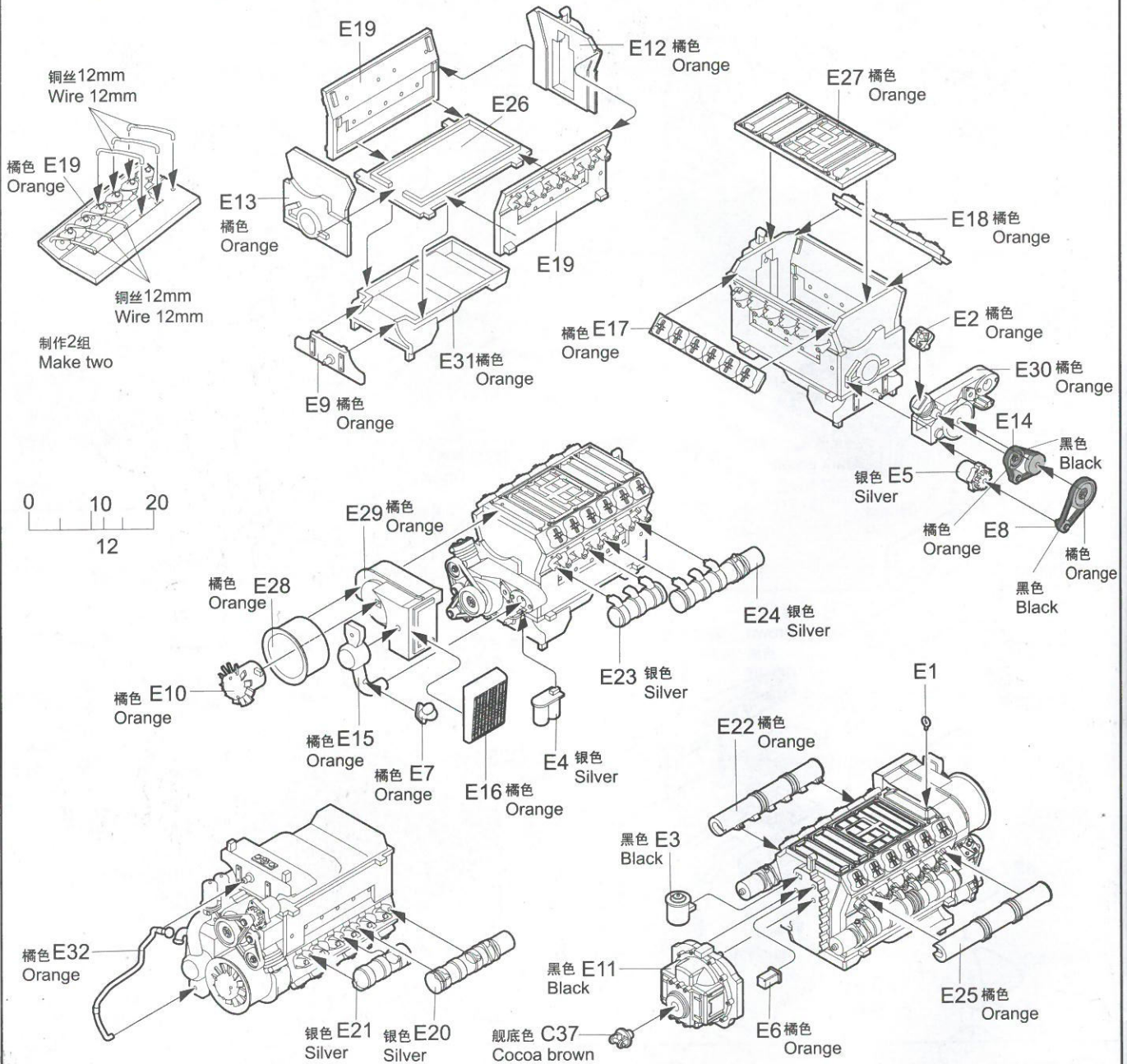
4 底盘组装 Chassis assembly



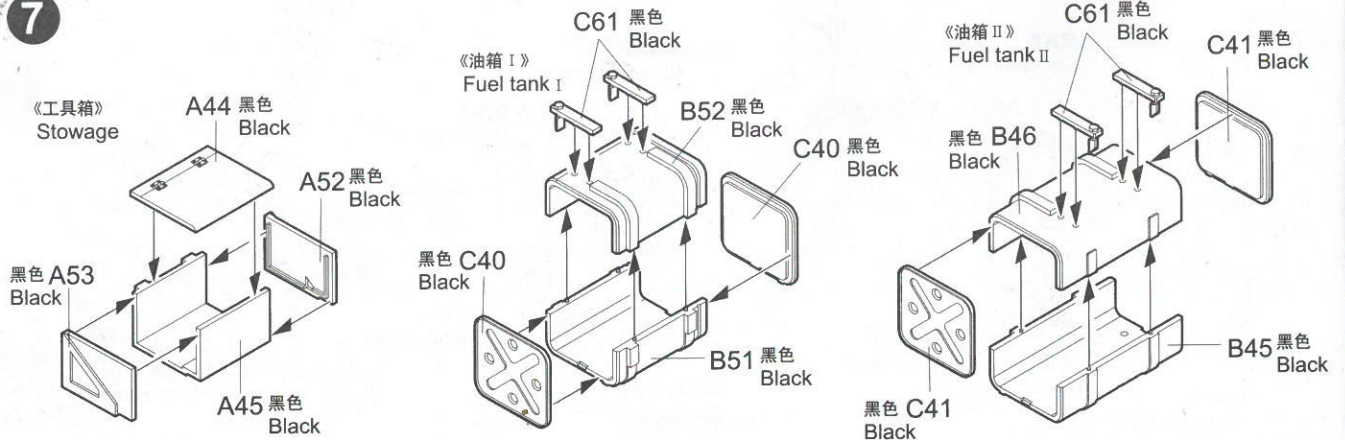
5 前桥组装 Front axle assembly



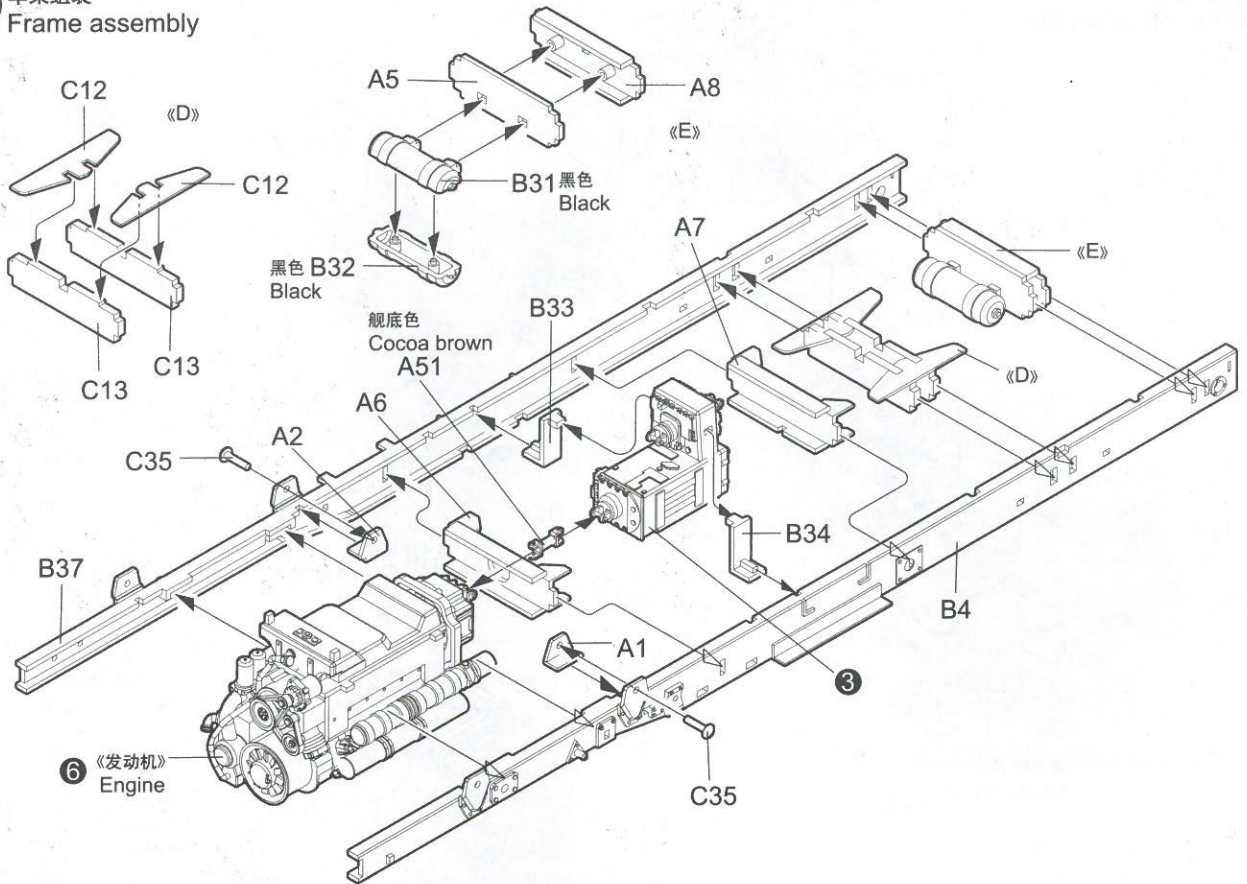
6 发动机组装 Engine assembly



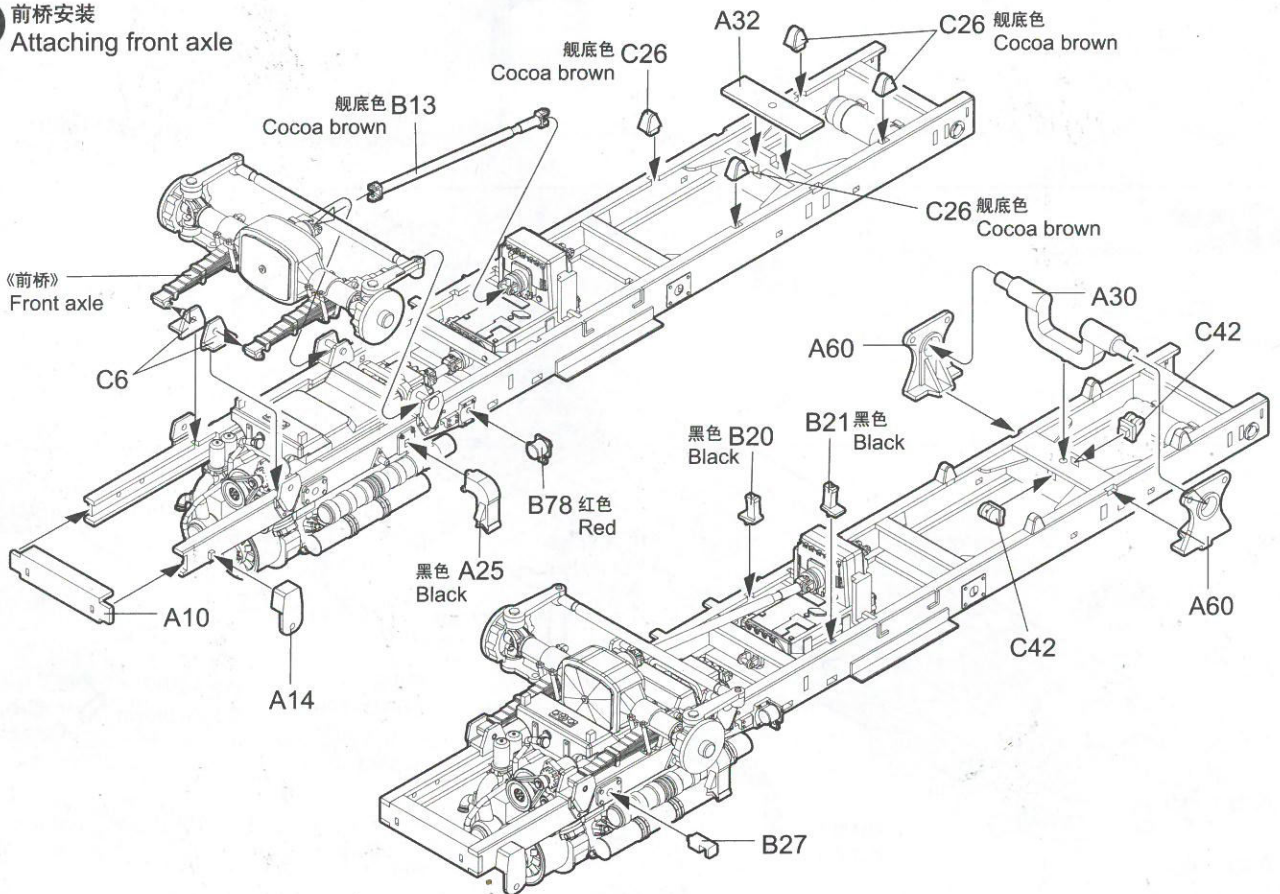
7



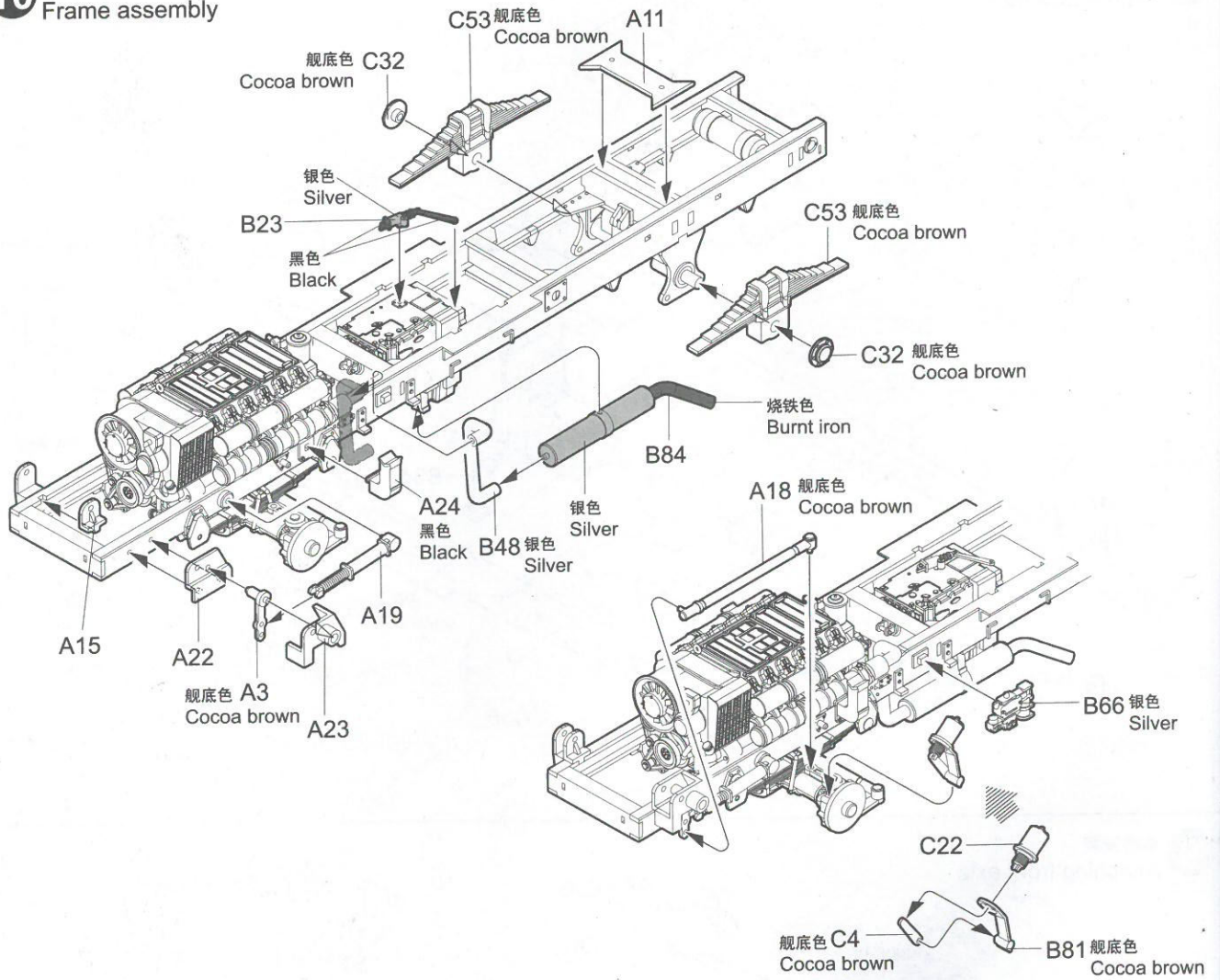
8 车架组装
Frame assembly



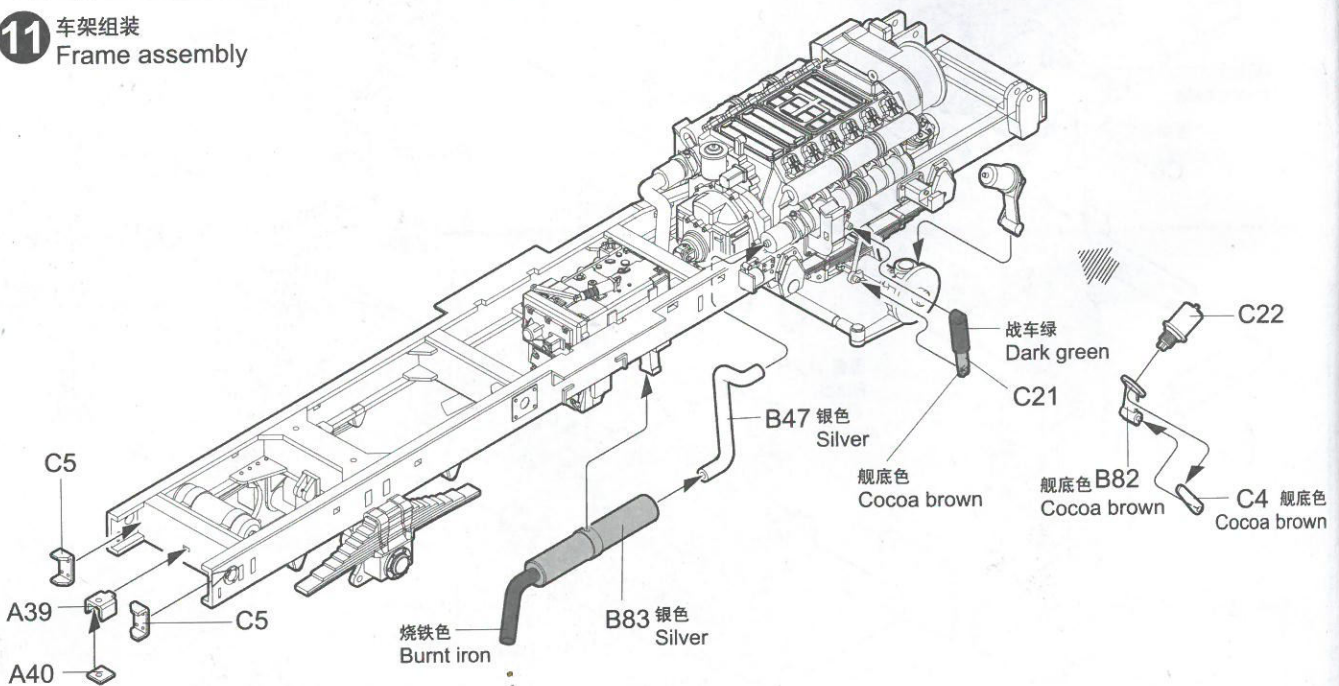
9 前桥安装
Attaching front axle



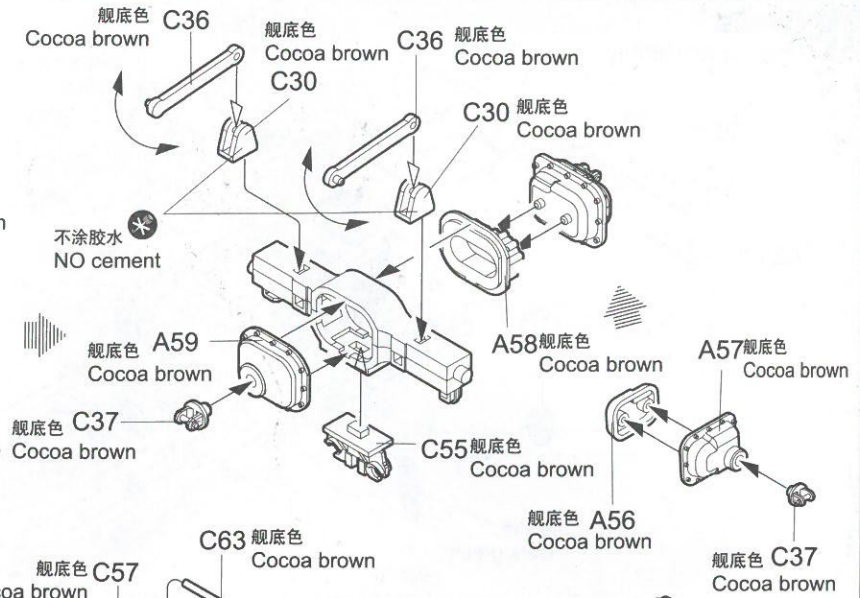
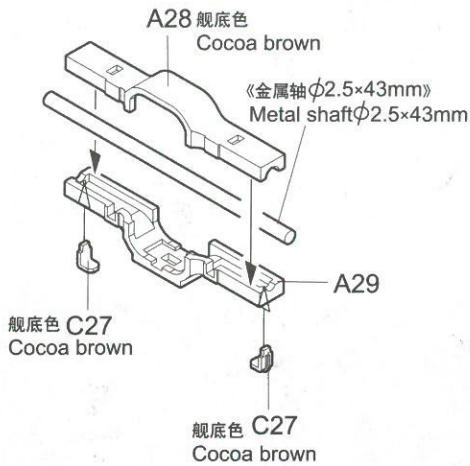
10 车架组装
Frame assembly



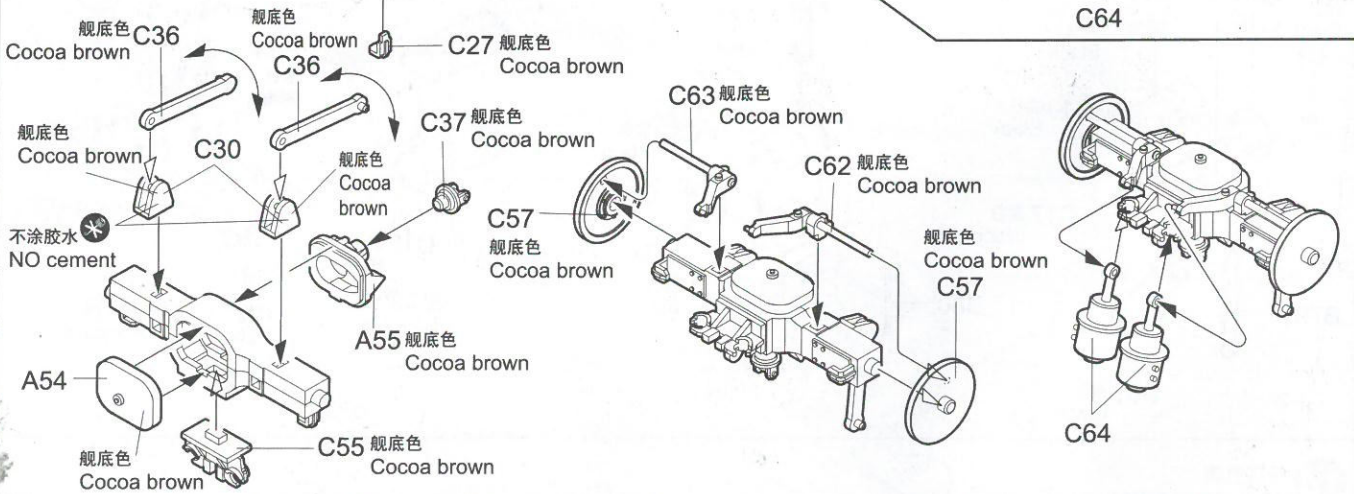
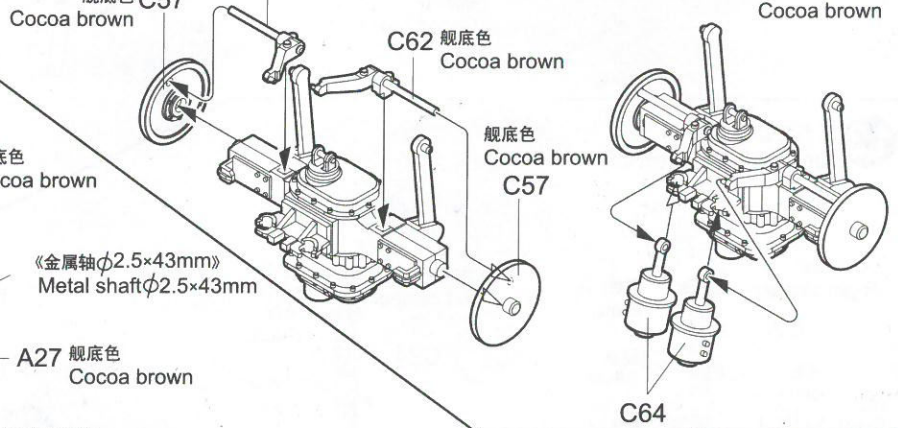
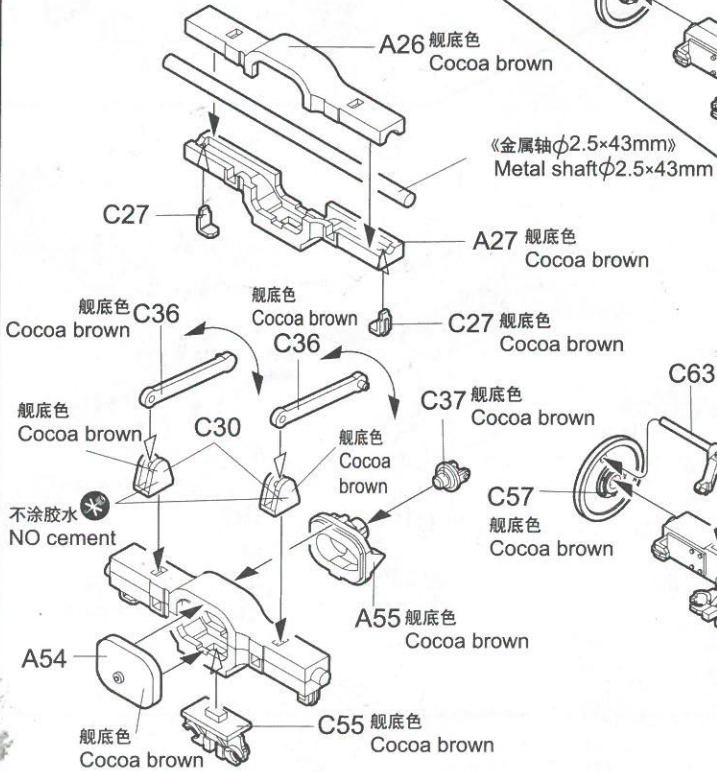
11 车架组装
Frame assembly



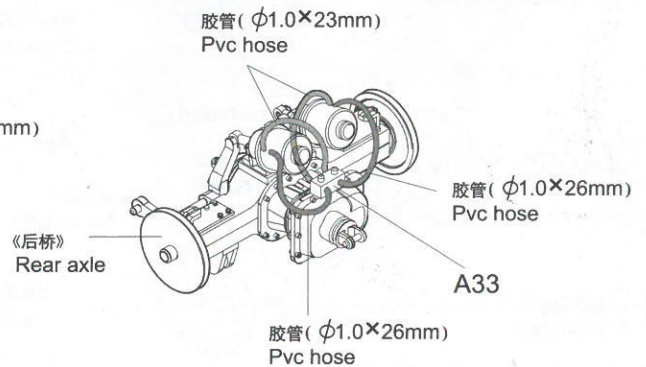
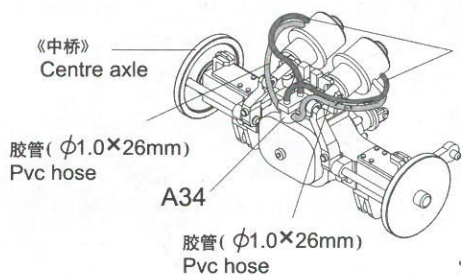
15 中桥组装
Centre axle assembly



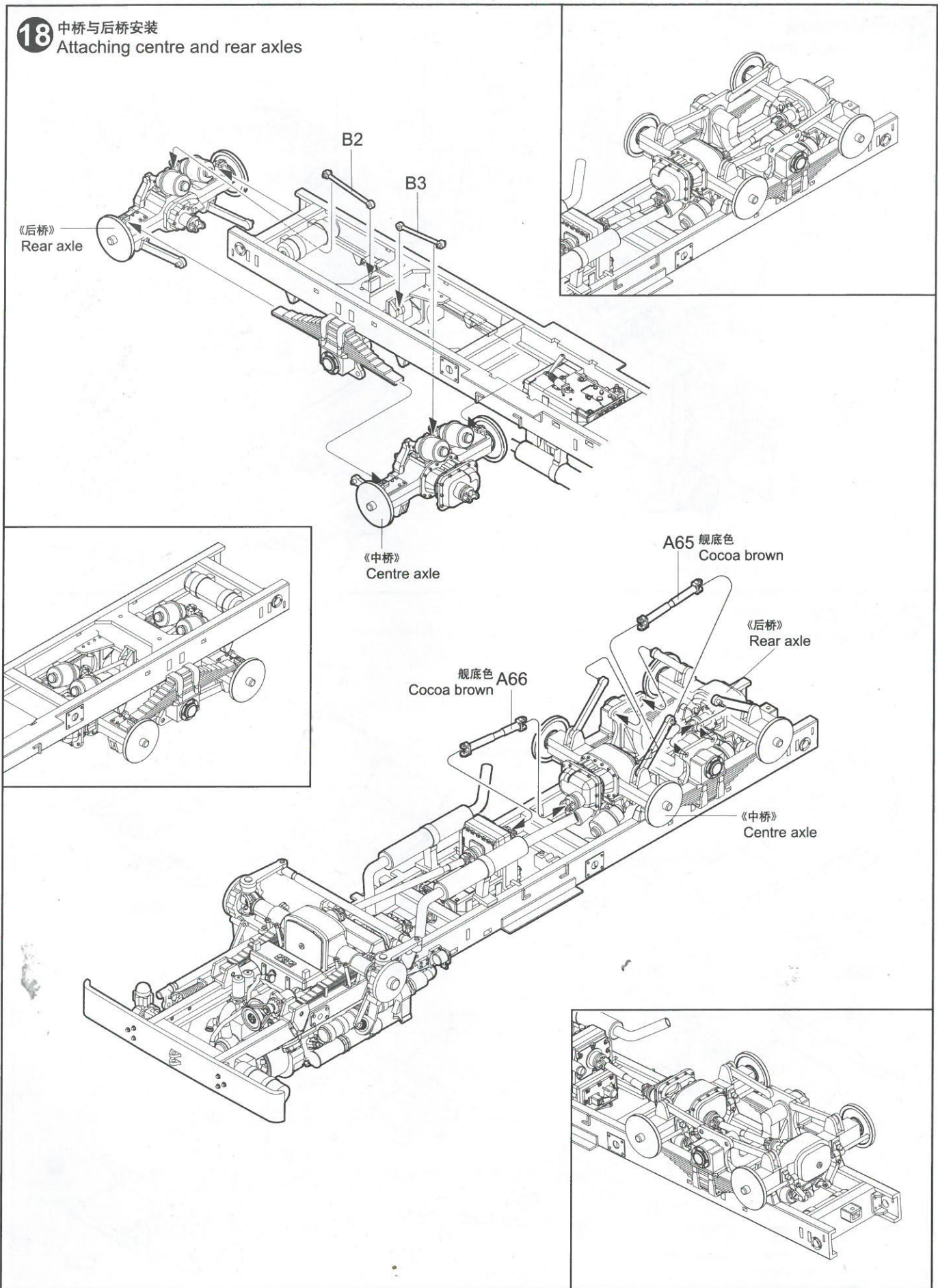
16 后桥组装
Rear axle assembly



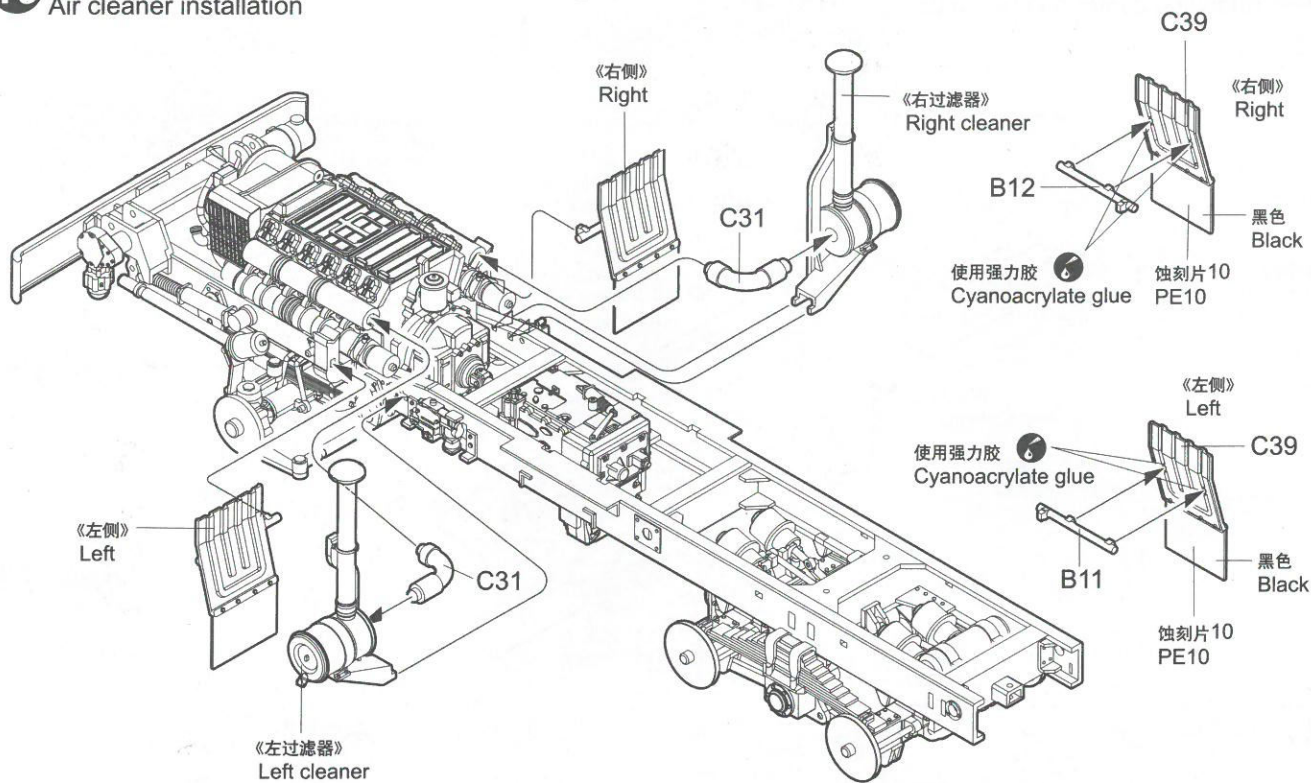
17 连接管组装
Add PVC hose and pipes as shown



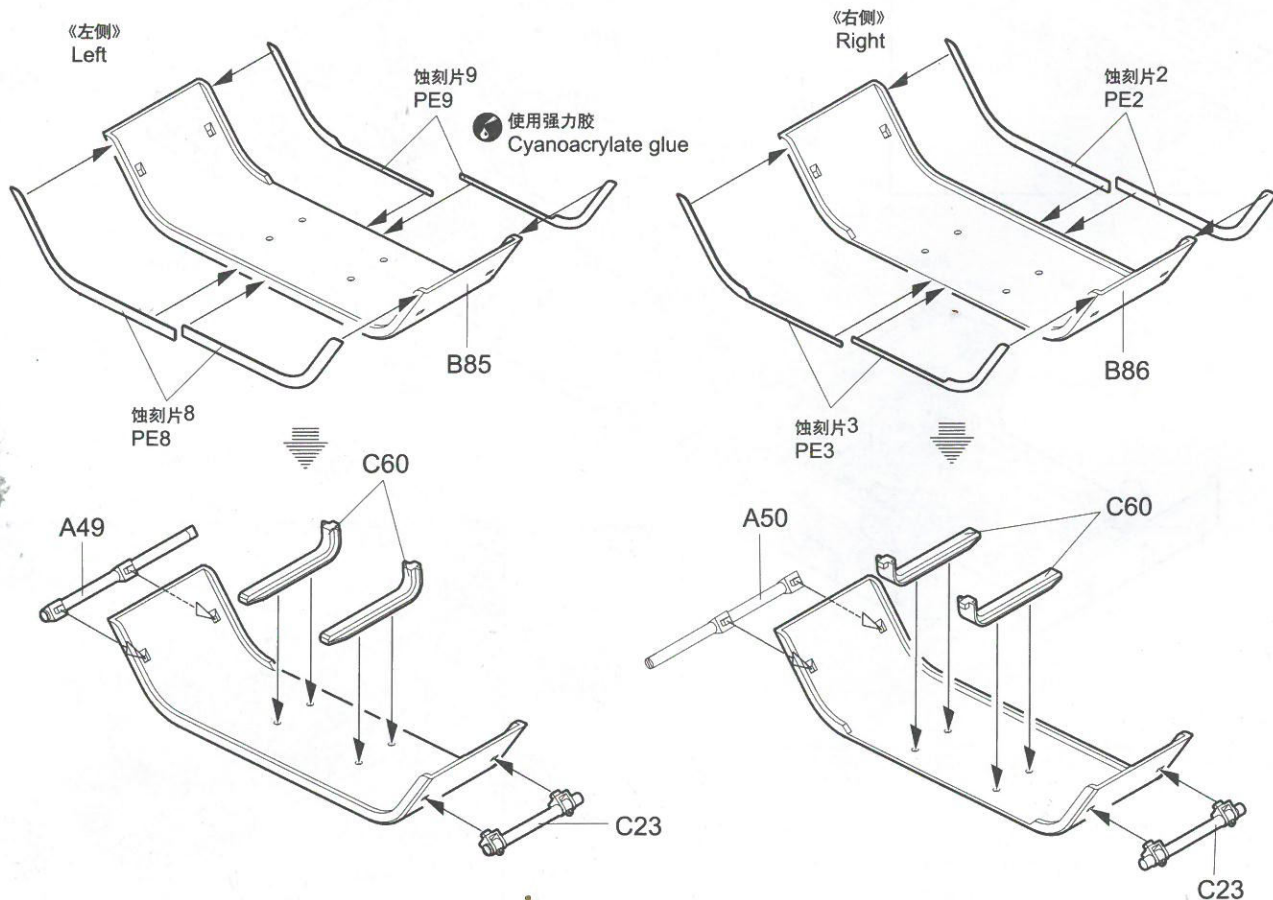
18 中桥与后桥安装
Attaching centre and rear axles



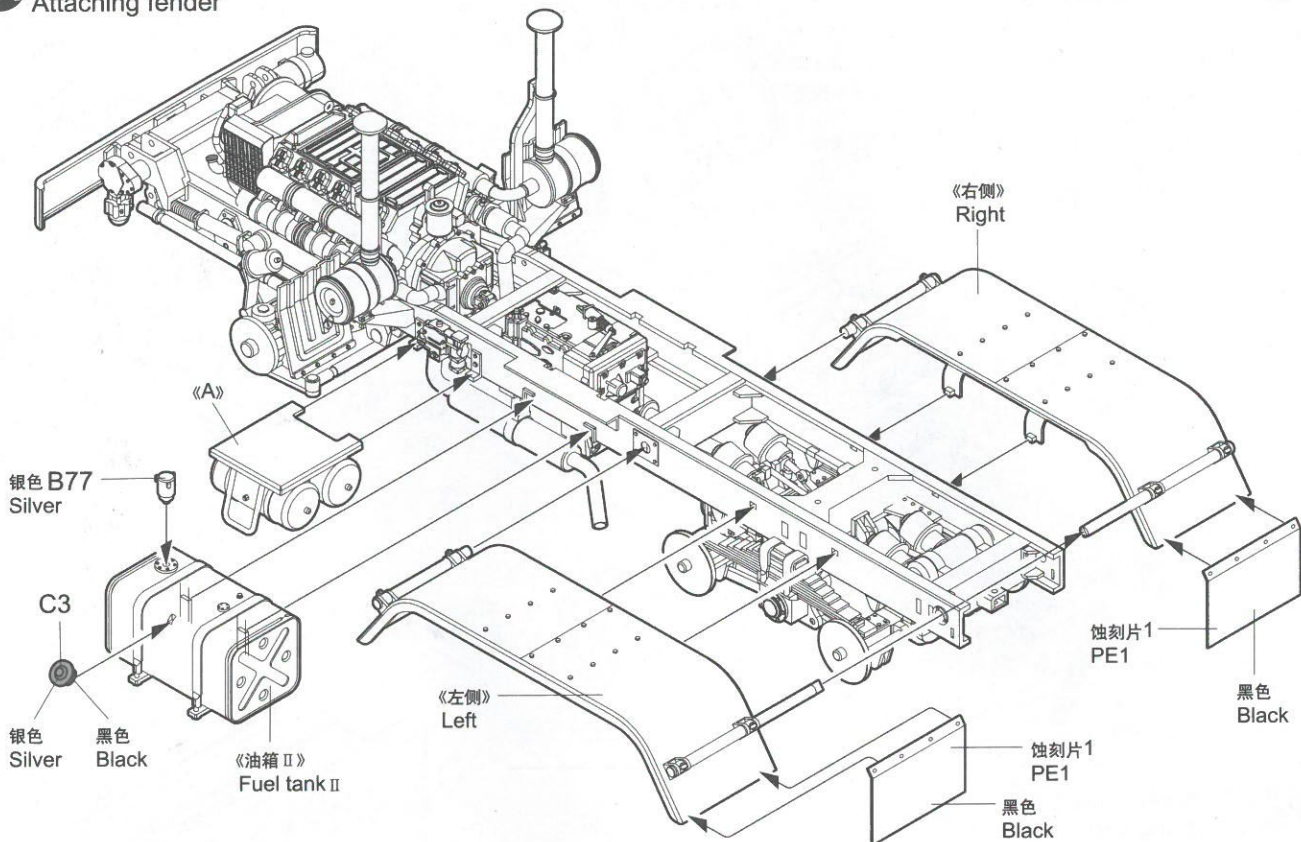
19 空气过滤器安装
Air cleaner installation



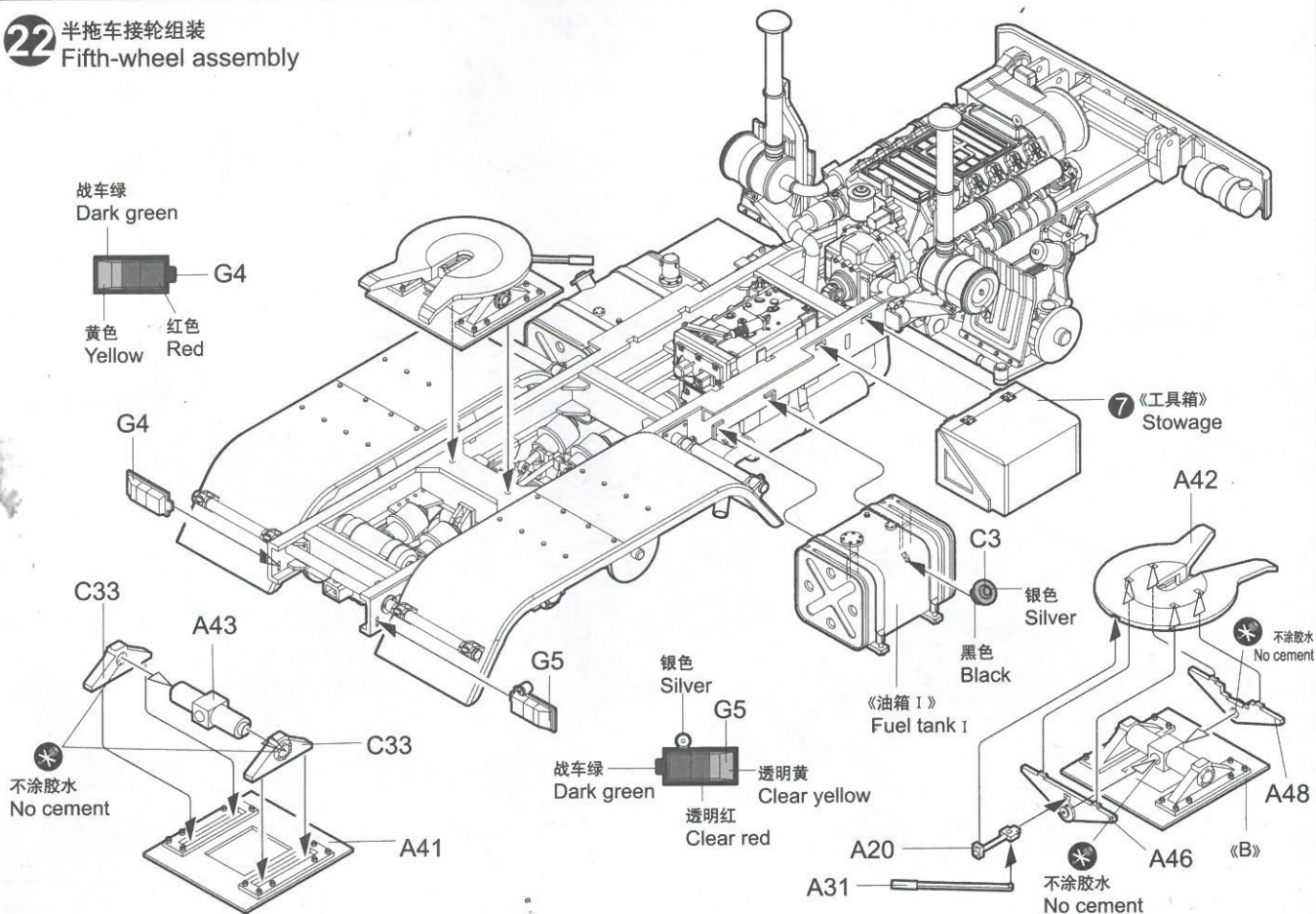
20 防护板组装
Fender assembly



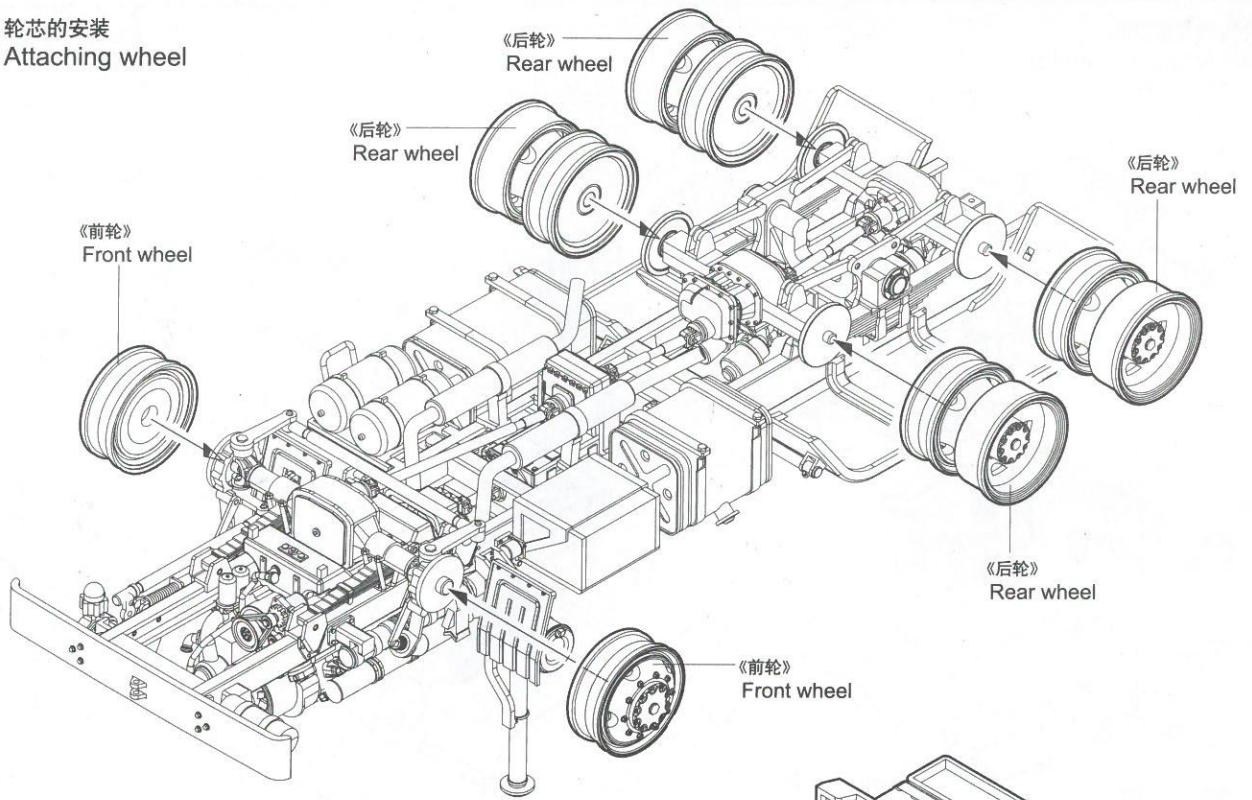
21 挡泥板安装
Attaching fender



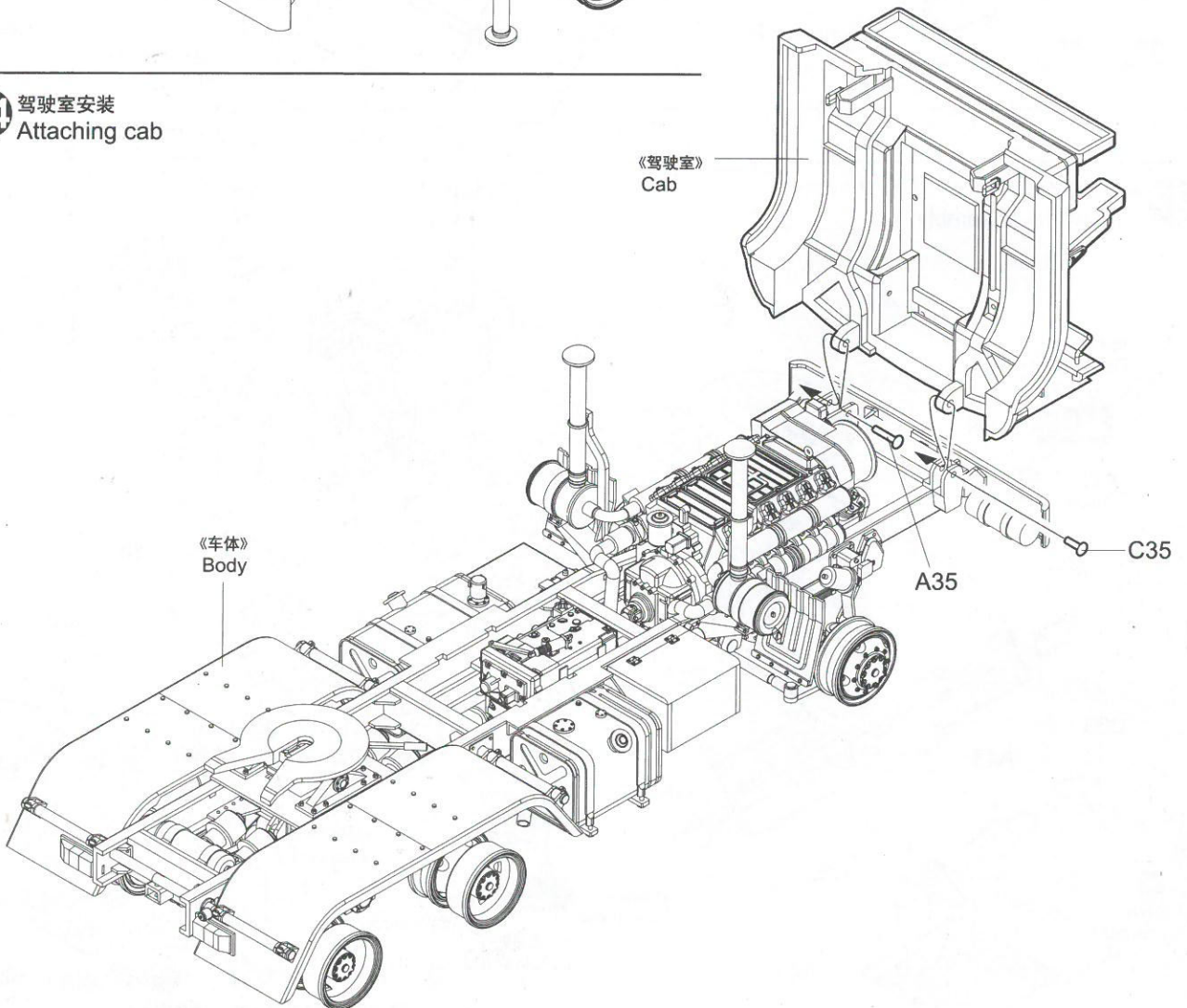
22 半拖车接轮组装
Fifth-wheel assembly



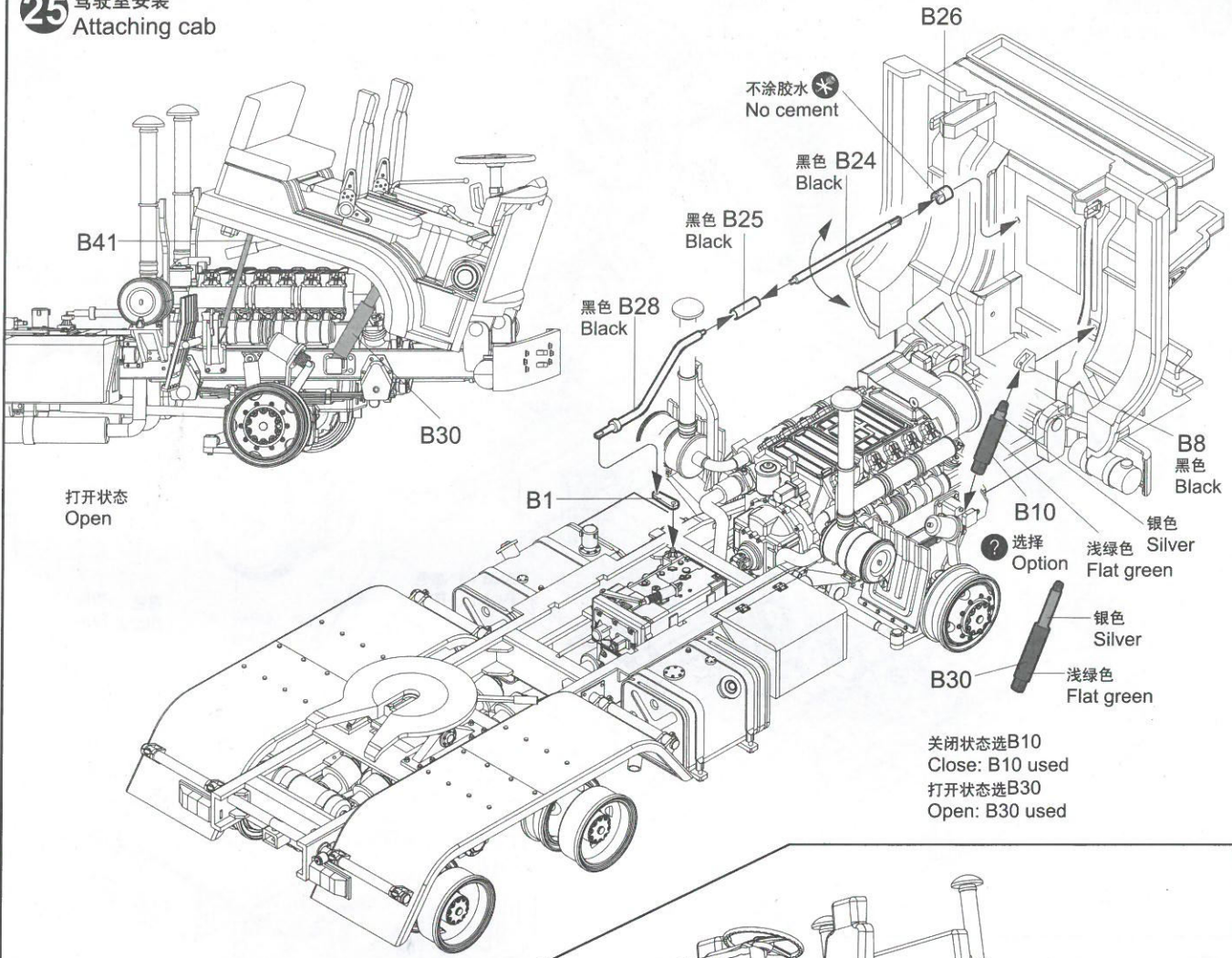
23 轮芯的安装
Attaching wheel



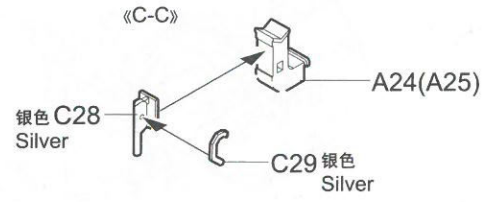
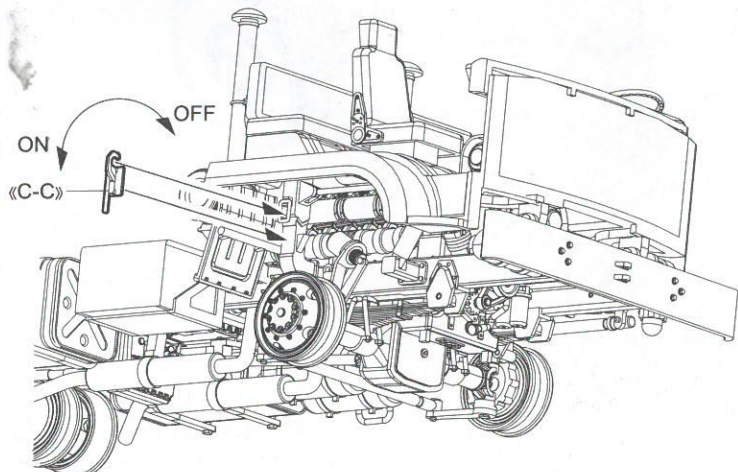
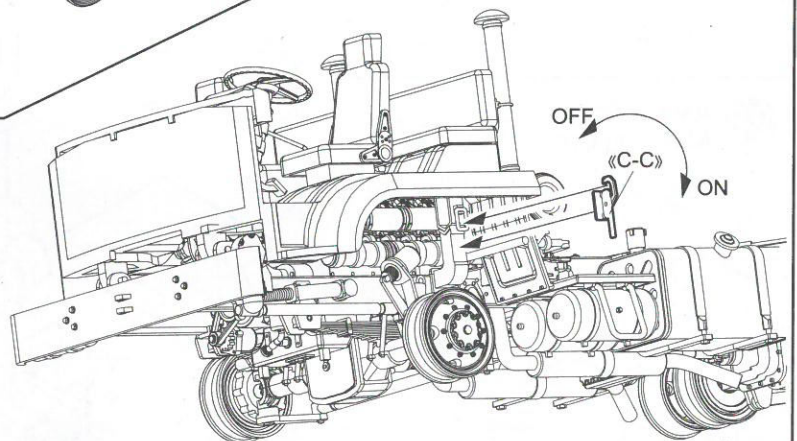
24 驾驶室安装
Attaching cab



25 驾驶室安装
Attaching cab

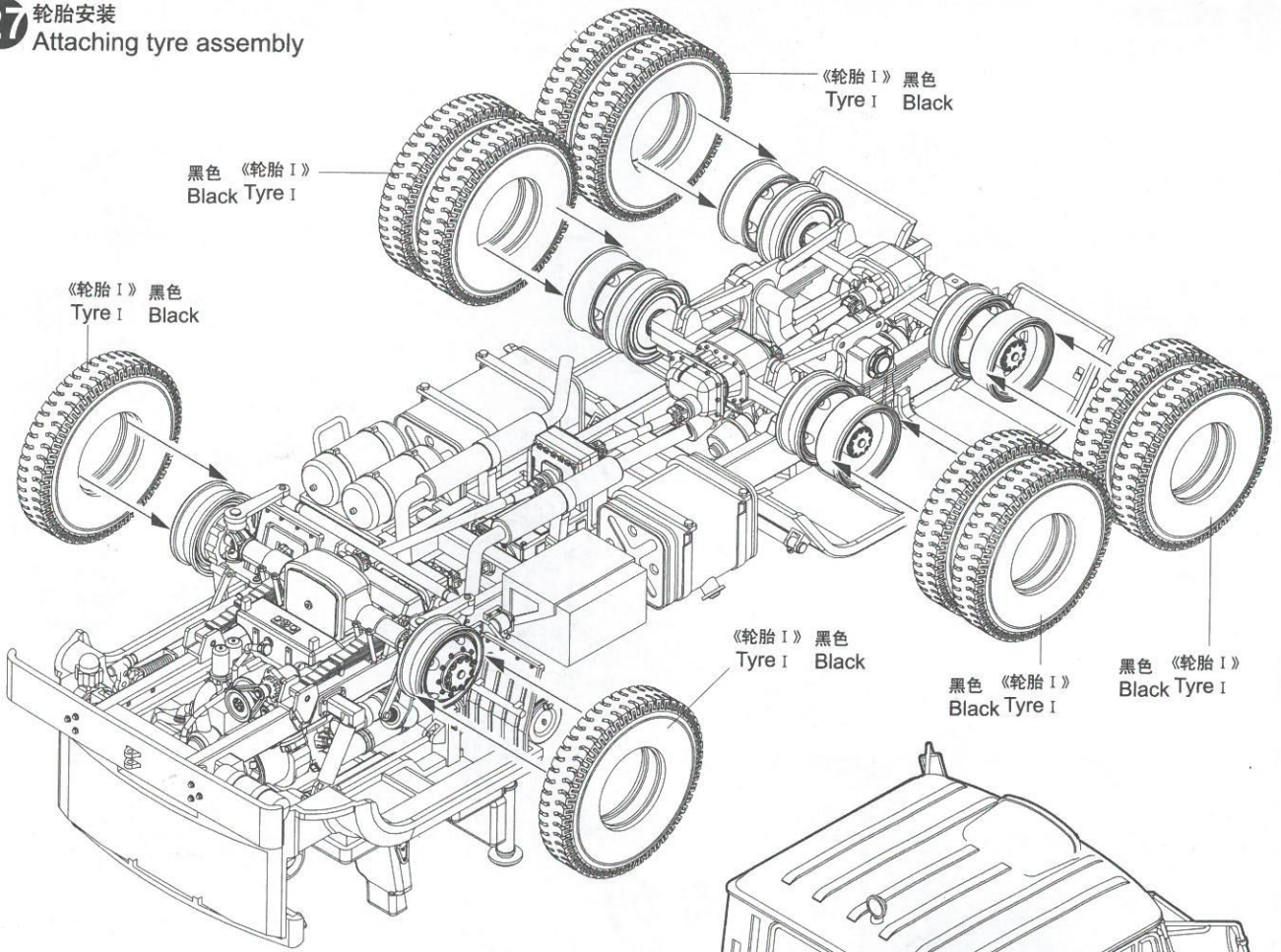


26

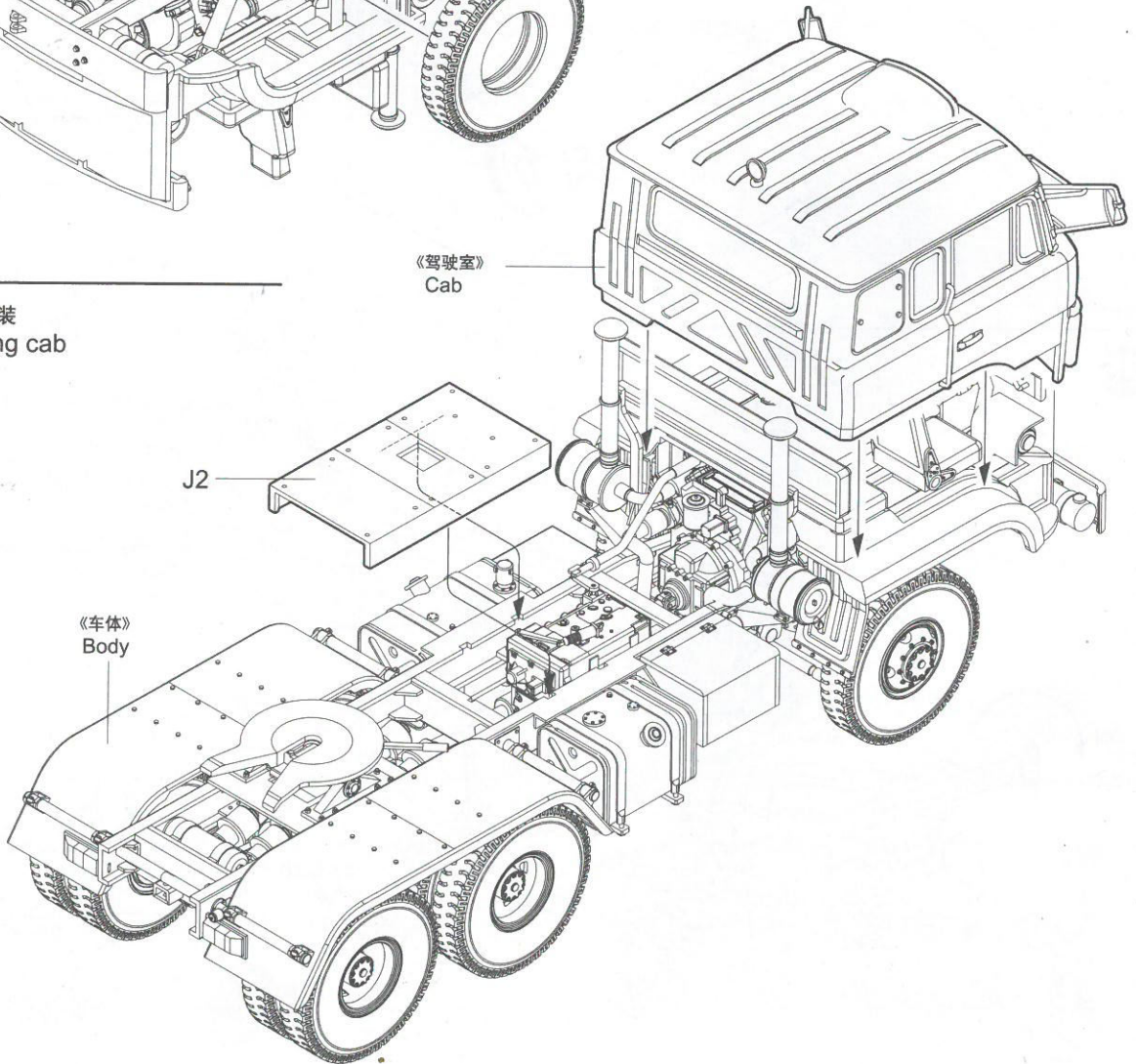


制作2组
Make two

27 轮胎安装
Attaching tyre assembly



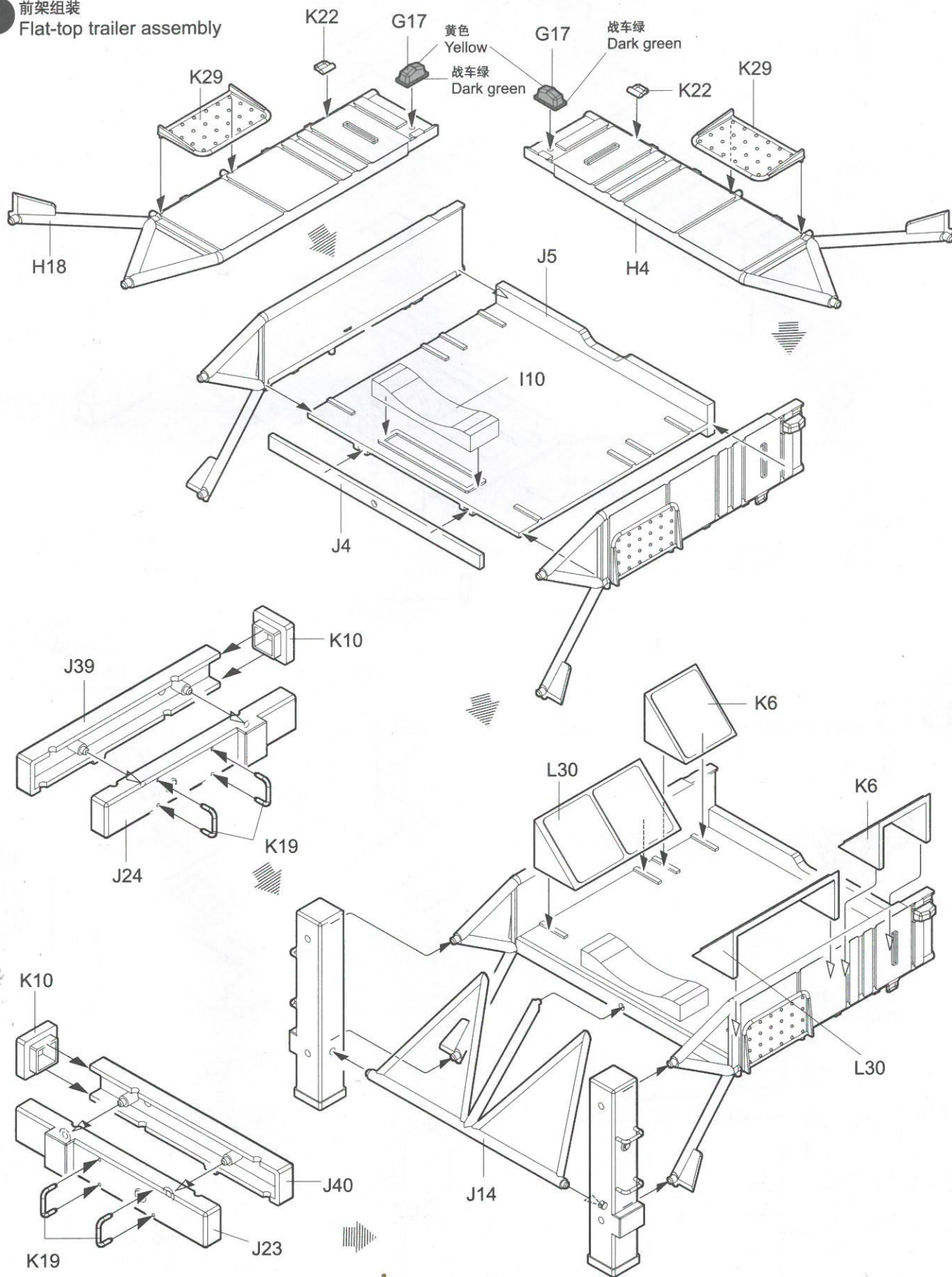
28 驾驶室安装
Attaching cab



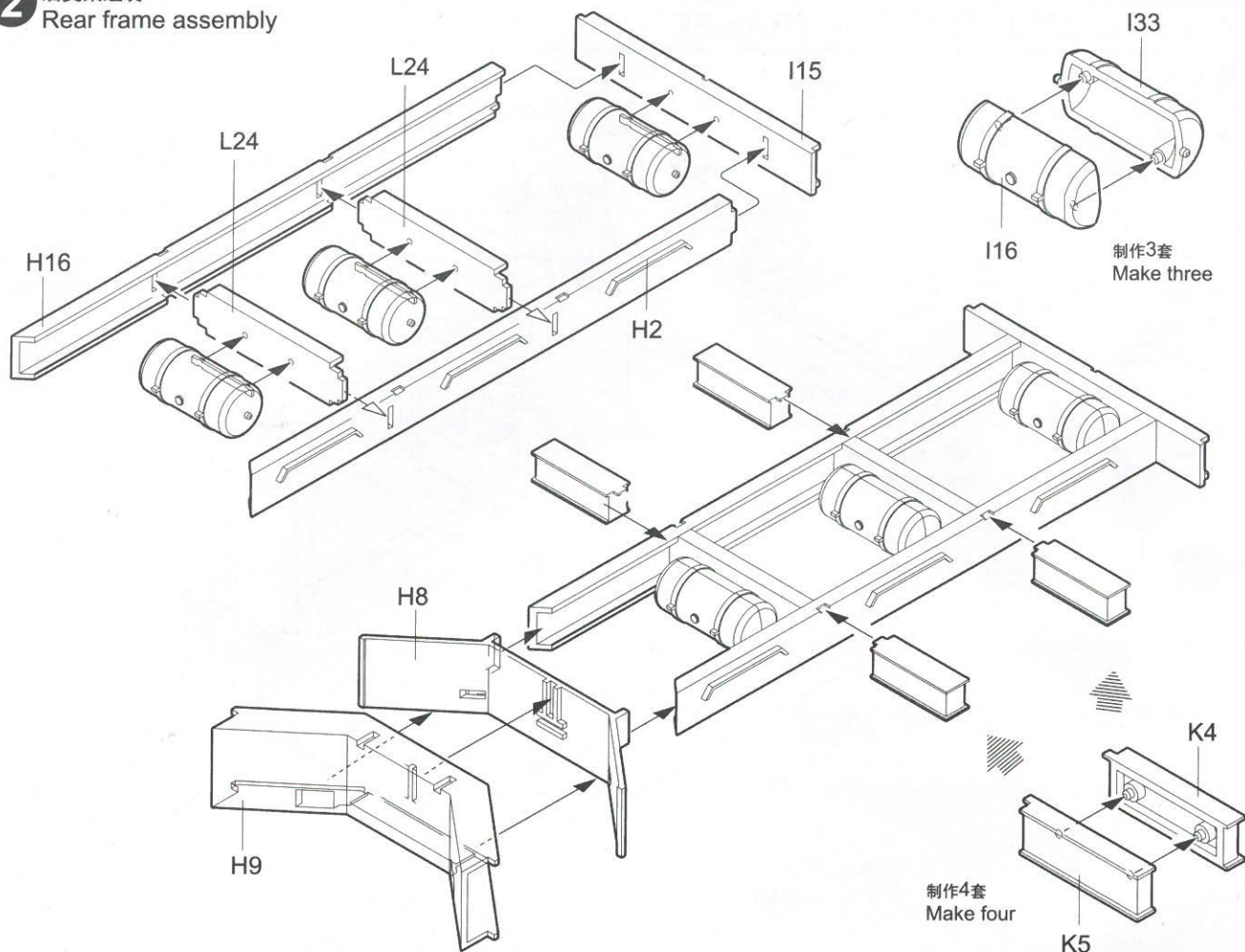
导弹运输架

MISSILE OPEN FLAT-TOP TRAILER

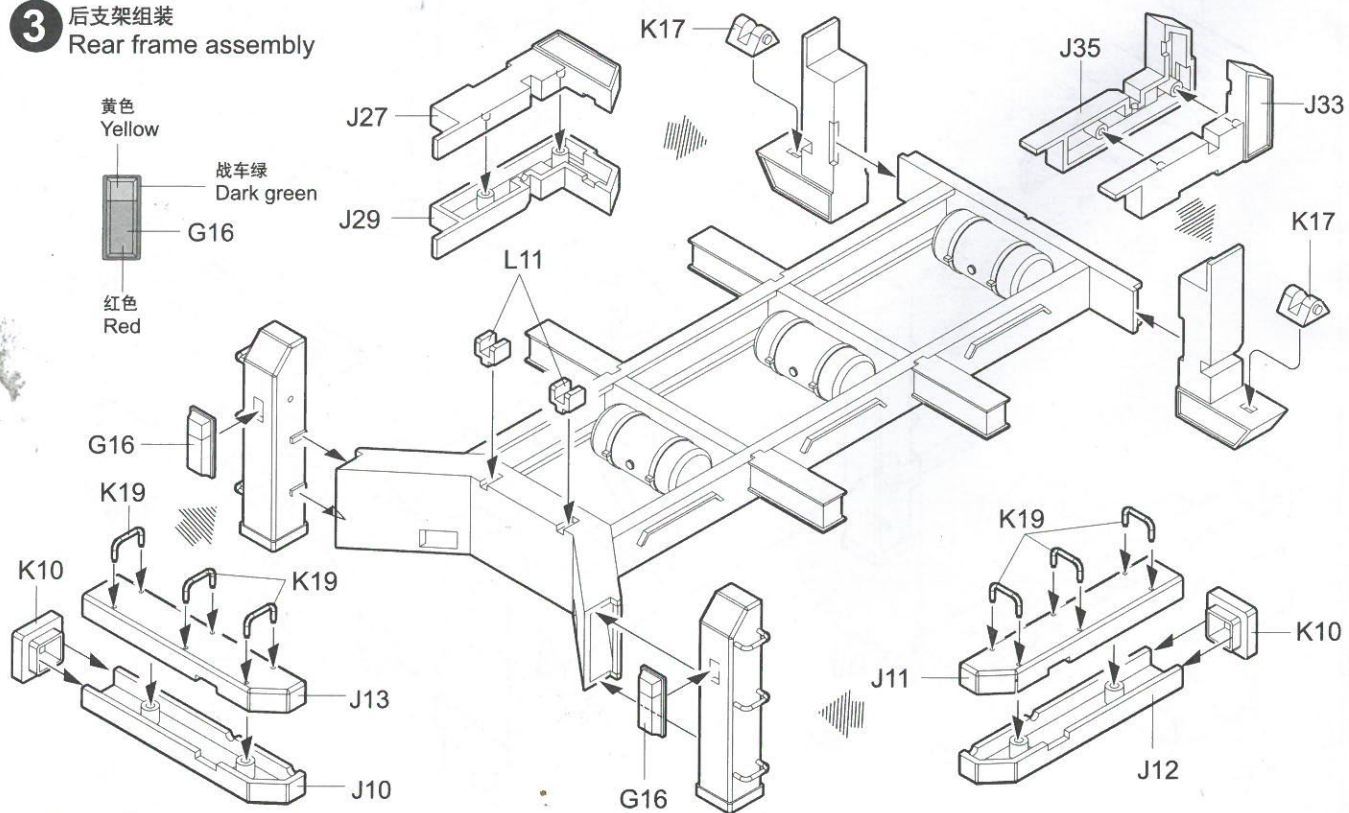
1 前架组装
Flat-top trailer assembly



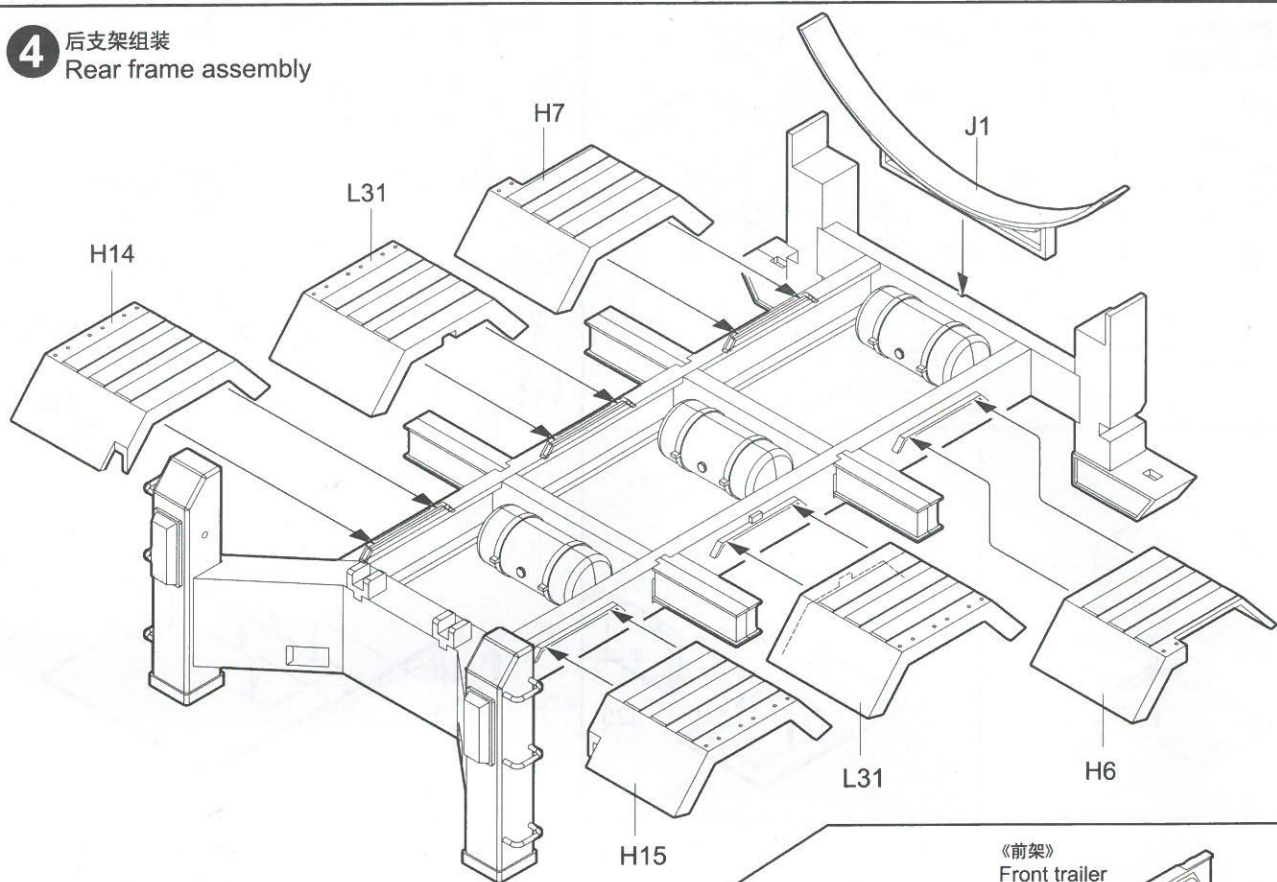
2 后支架组装
Rear frame assembly



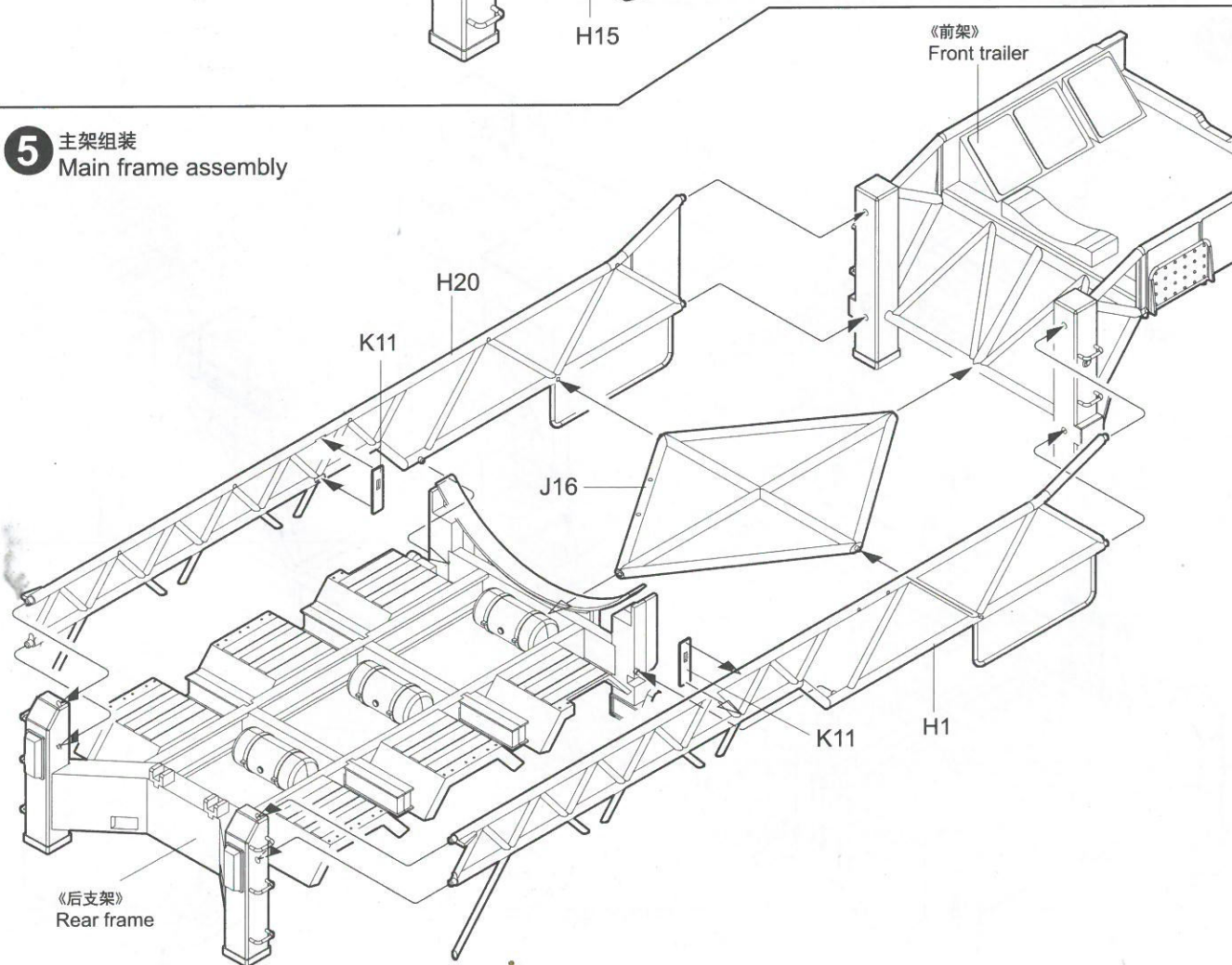
3 后支架组装
Rear frame assembly



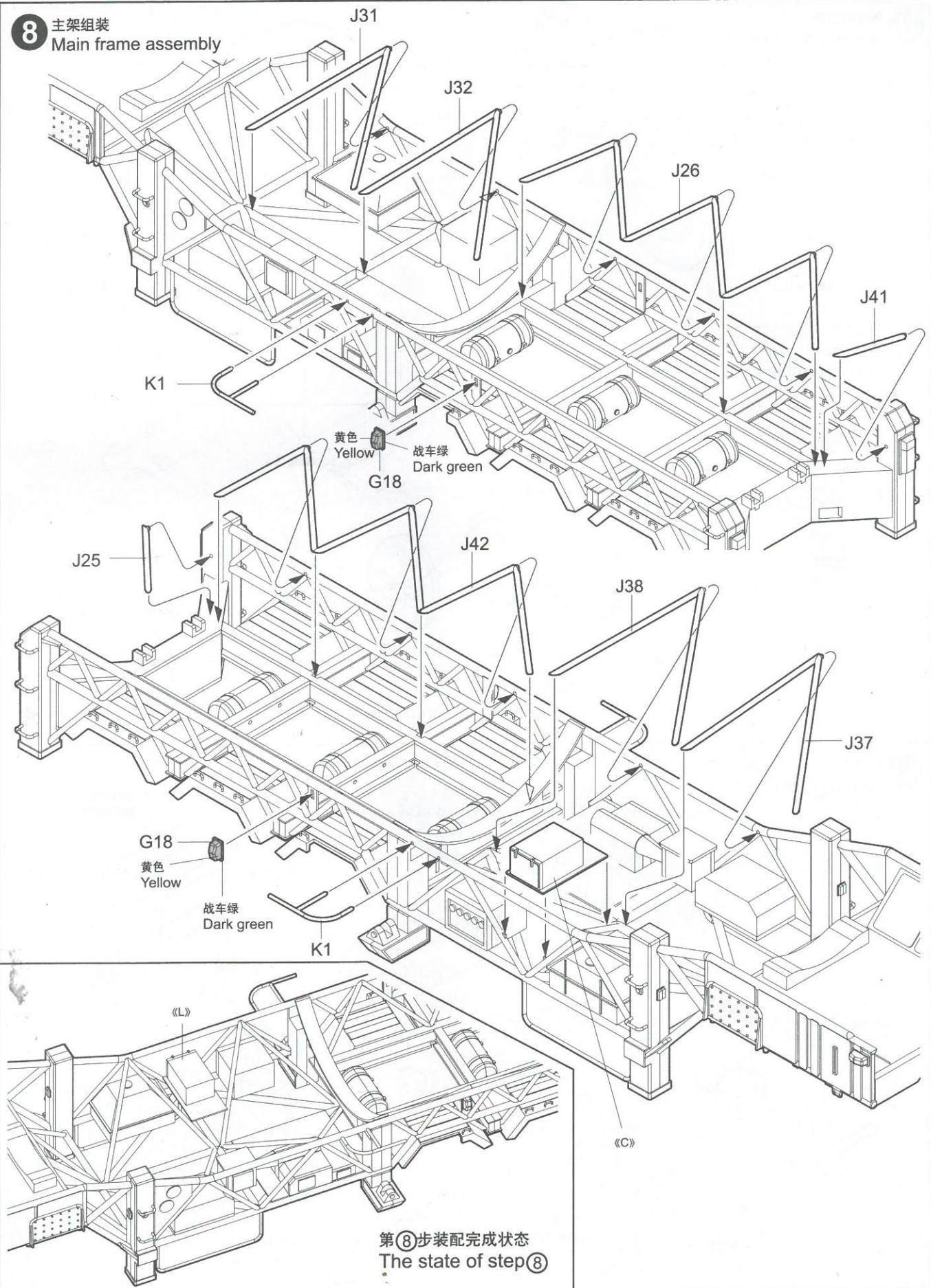
4 后支架组装
Rear frame assembly



5 主架组装
Main frame assembly

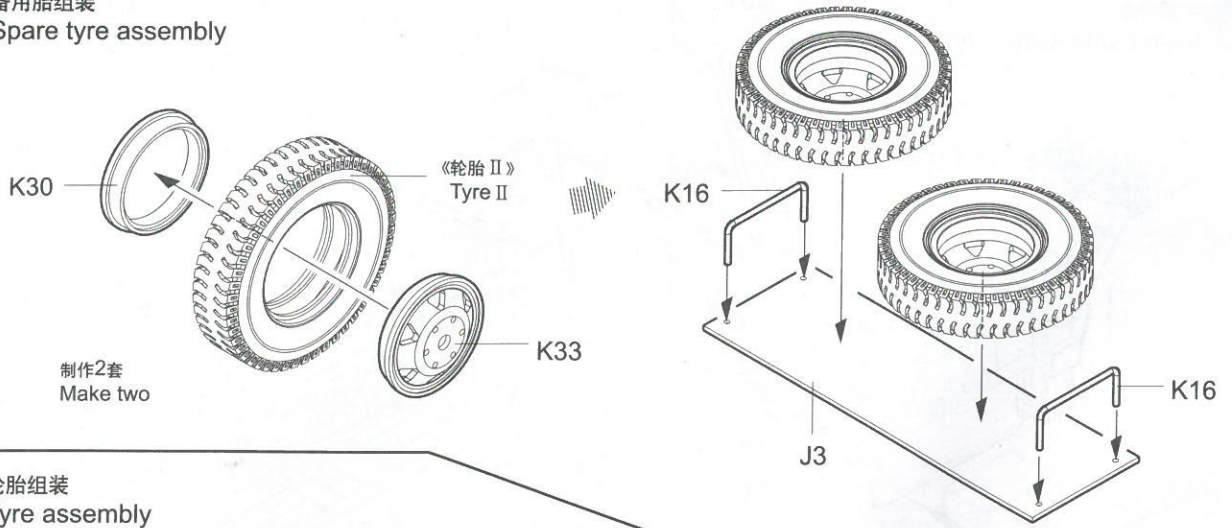


8 主架组装
Main frame assembly

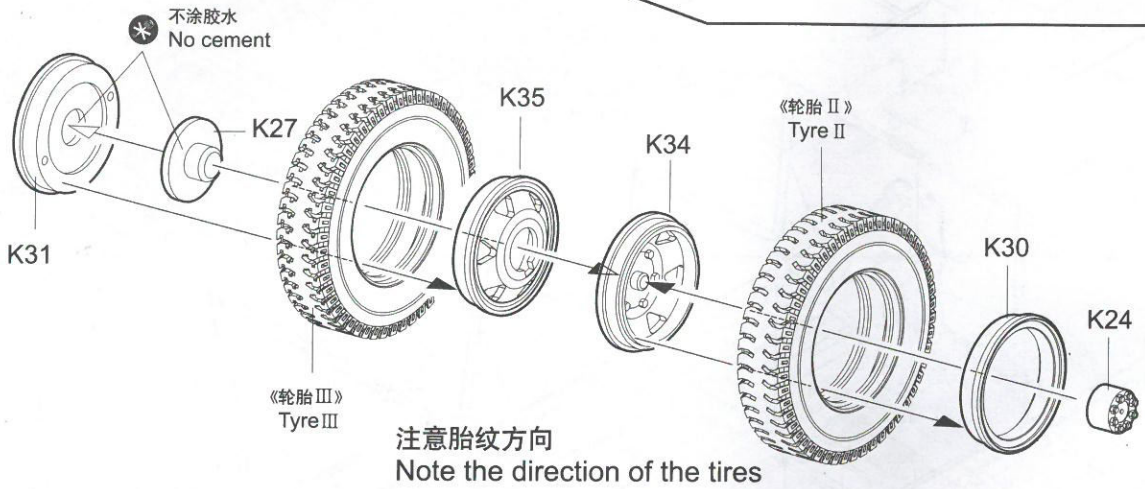


第⑧步装配完成状态
The state of step⑧

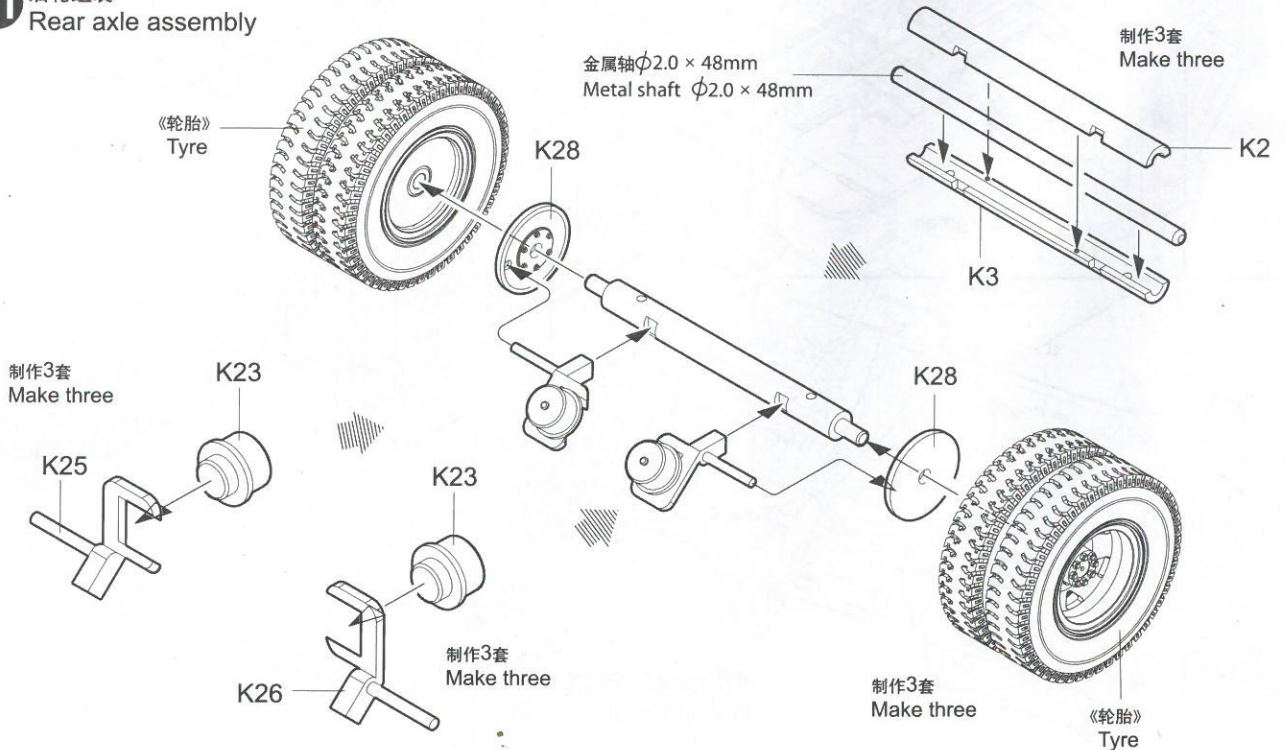
9 备用胎组装
Spare tyre assembly



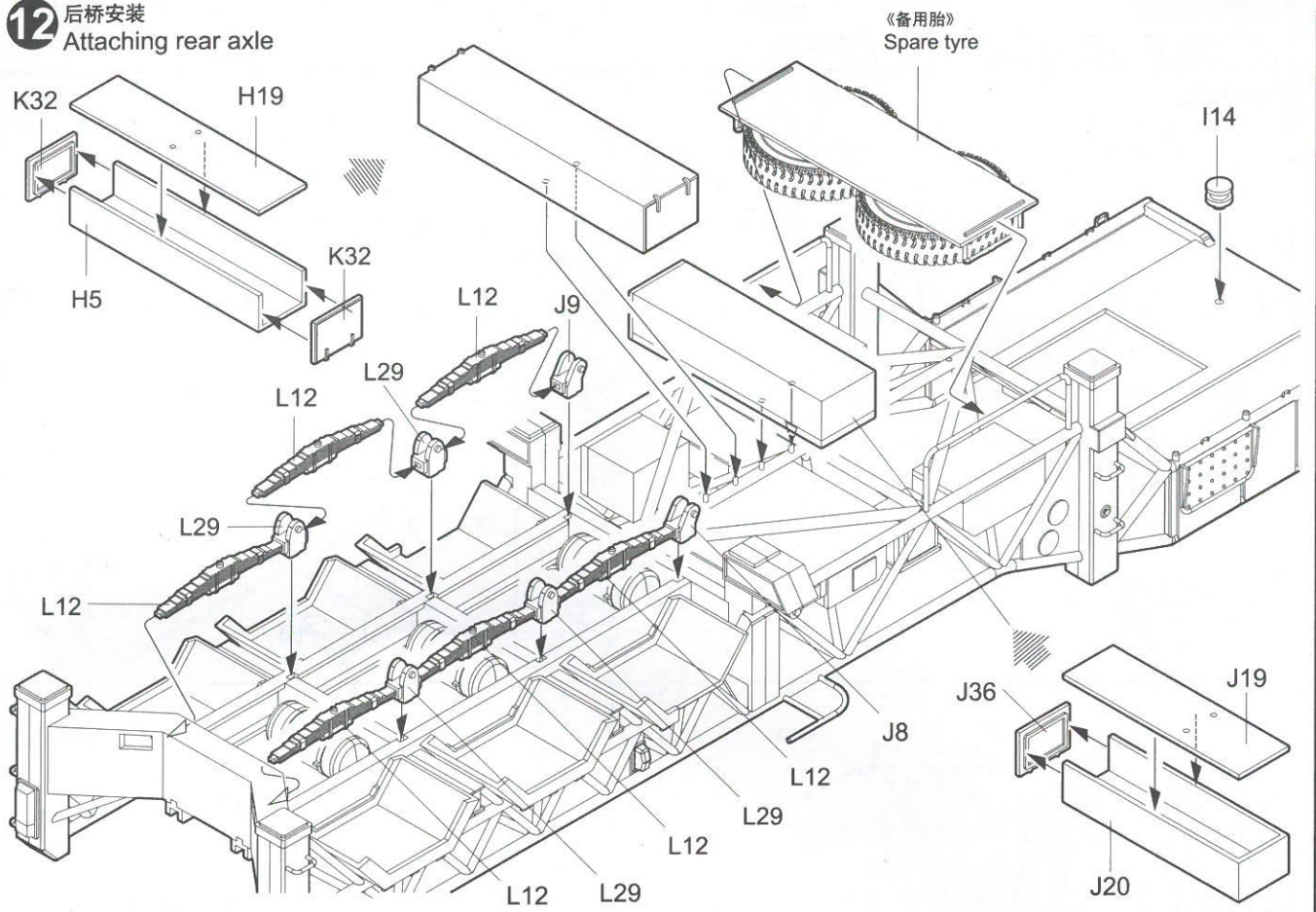
10 轮胎组装
Tyre assembly



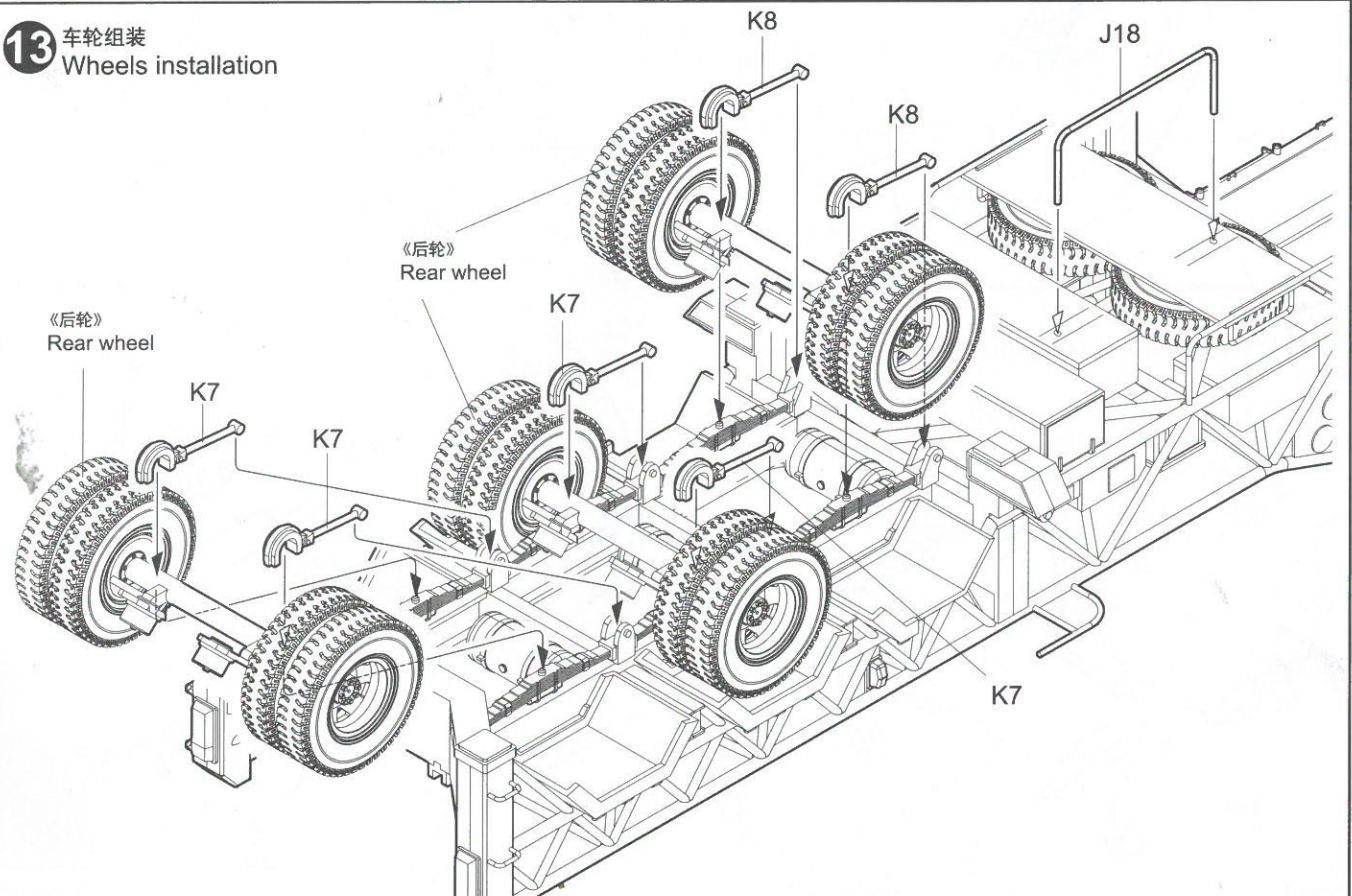
11 后轮组装
Rear axle assembly



12 后桥安装
Attaching rear axle



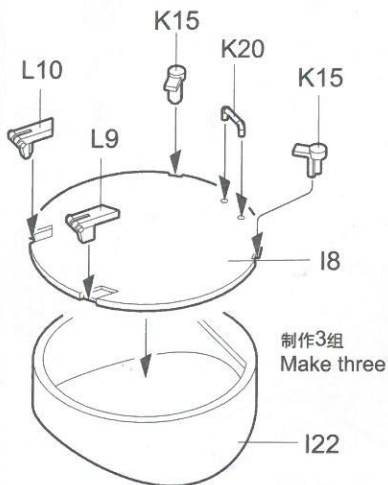
13 车轮组装
Wheels installation



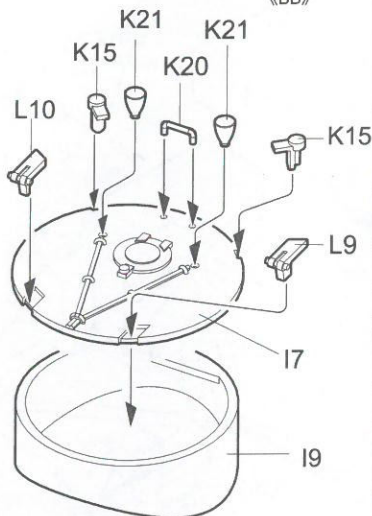
导弹装运筒 MISSILE SEALED CANISTER

1 零件组装 Parts assembly

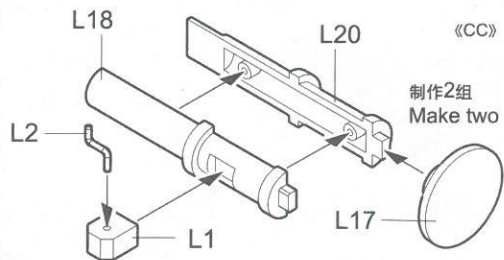
《AA》



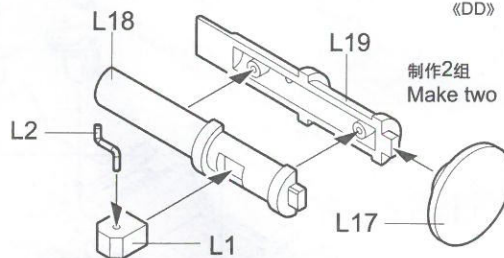
《BB》



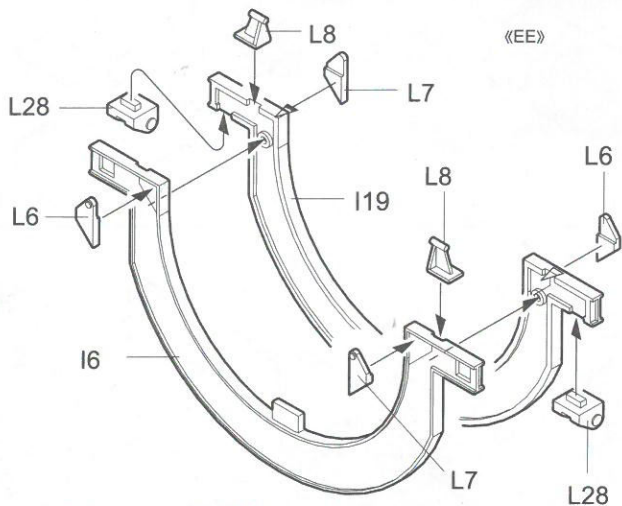
《CC》



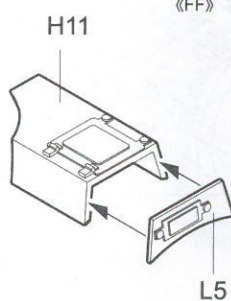
《DD》



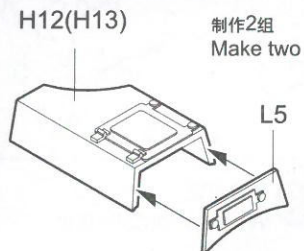
《EE》



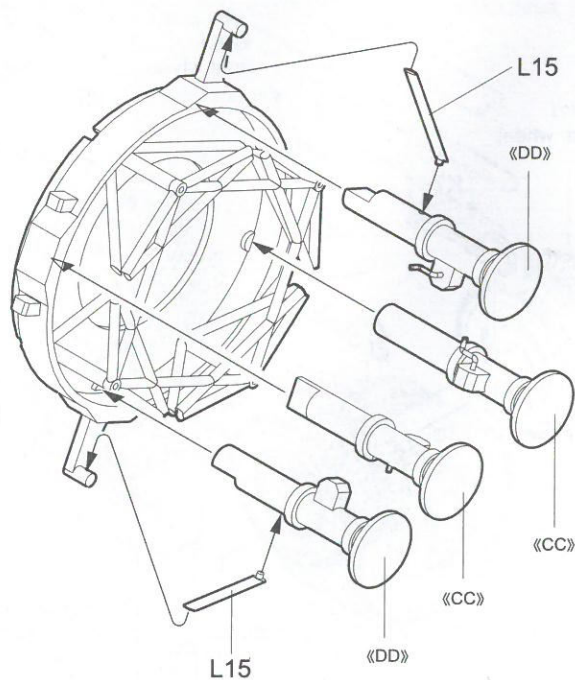
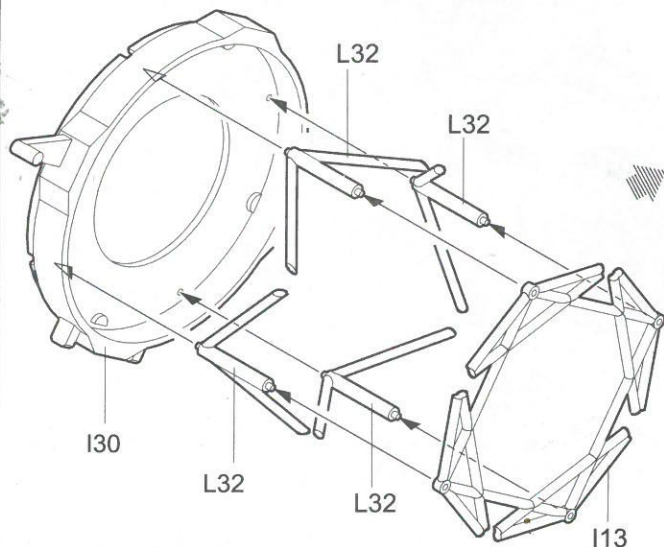
《FF》



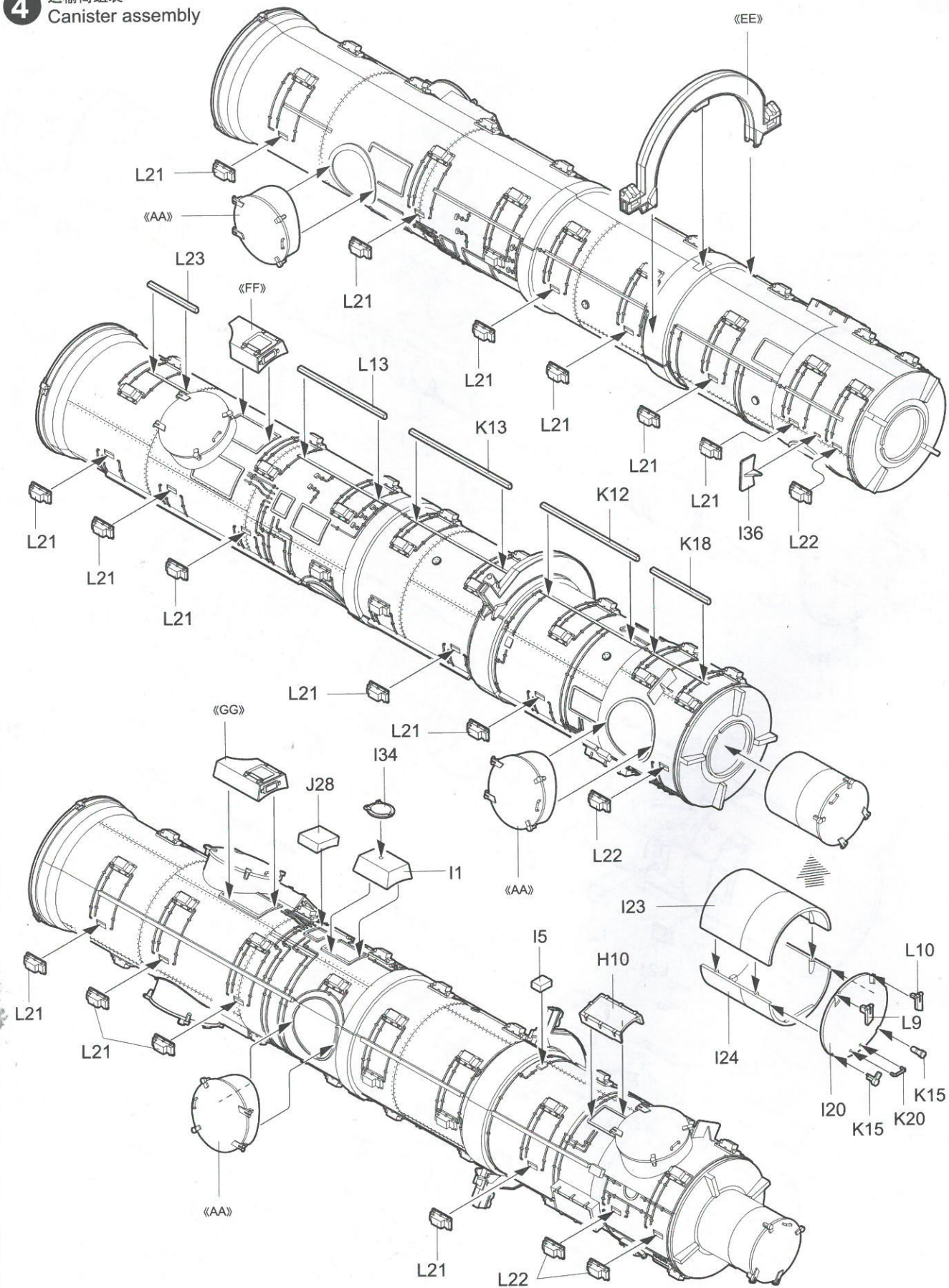
《GG》



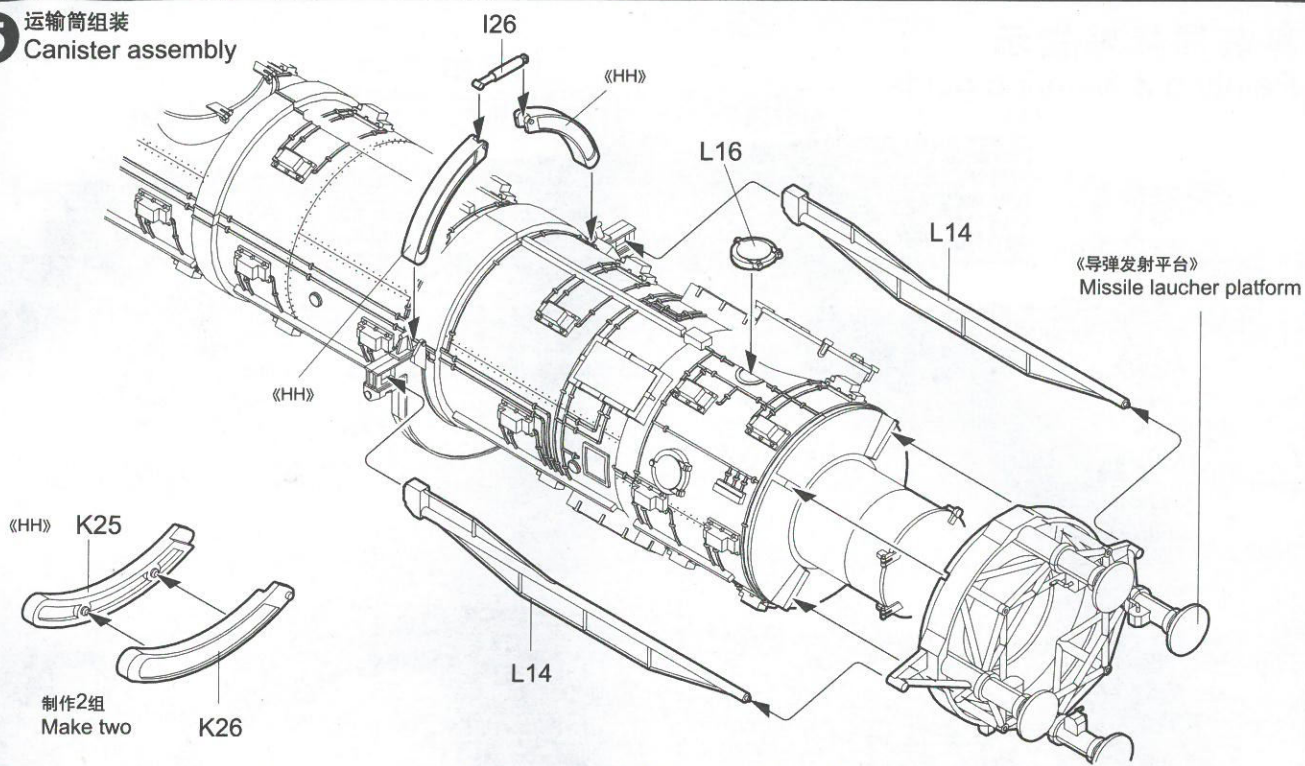
2 导弹发射平台组装 Missile launcher platform assembly



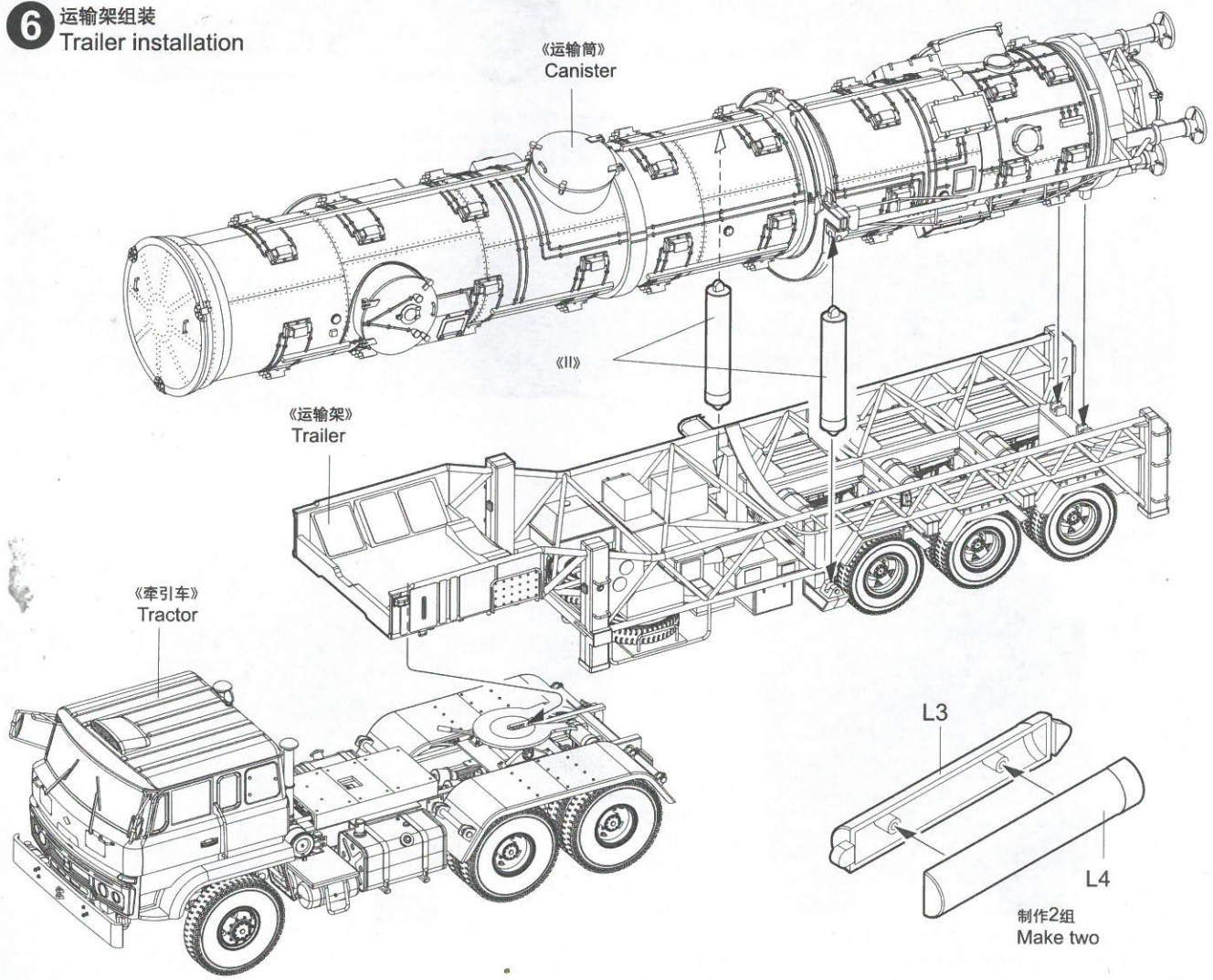
4 运输筒组装
Canister assembly



5 运输筒组装
Canister assembly



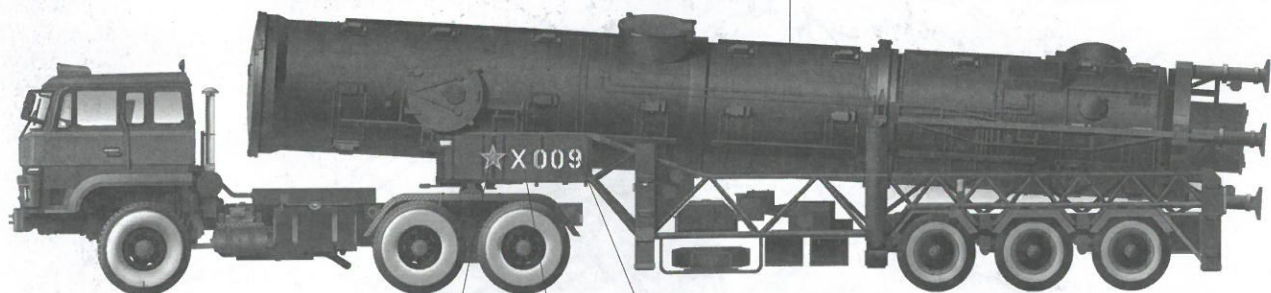
6 运输架组装
Trailer installation



涂装同标贴指示

Painting & Marking guide

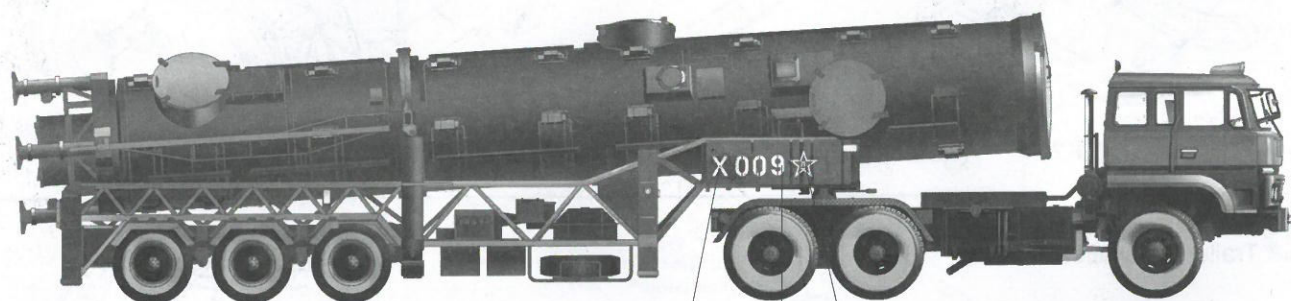
(H 7833) 橄榄绿
Olive drab



(H 11)

白色
White

贴纸6 Decal 6
贴纸7 Decal 7
贴纸8 Decal 8



贴纸7 Decal 7
贴纸8 Decal 8
贴纸6 Decal 6

