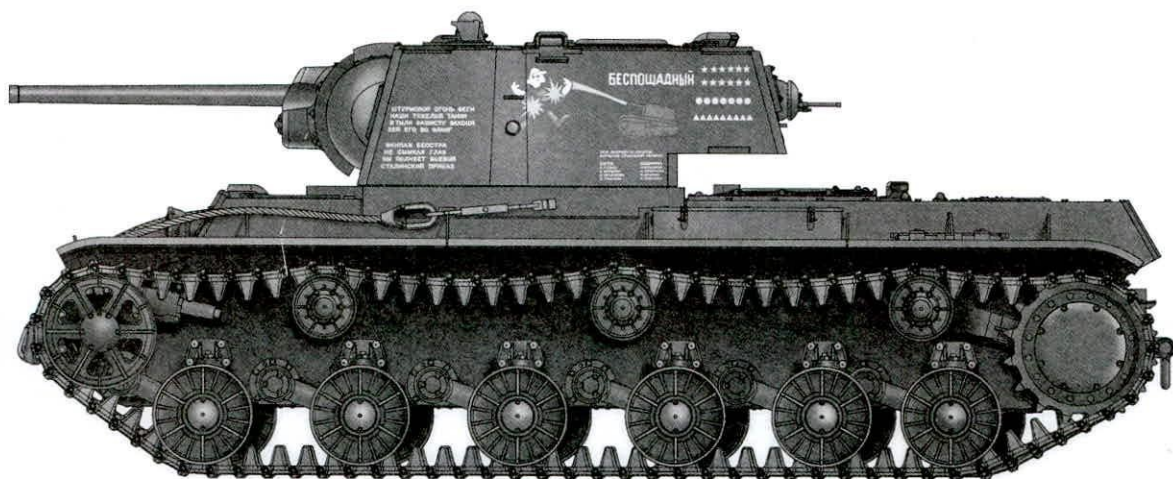


# Russia KV-1 model 1942 Simplified Turret Tank

## 苏联KV-1 1942年型简化炮塔坦克

Developed with the cooperation of Antonio Pang



### READ BEFORE ASSEMBLY

- Study and understand these instructions thoroughly before beginning assembly. Make sure all parts are included by comparing them to those shown on pages 2 of these instructions. Remove parts from sprues as needed, and trim excess with a hobby knife. Be careful not to lose small parts.
- Remove photo-etch parts from sprue as needed using a hobby knife or photo etch cutter.
- Apply cement to photo etch parts as shown on instructions.
- Applying too much cement will restrict the operation of these movable parts. Apply cement carefully! Removed photo etch parts can have sharp edges. Take care when handling these to avoid injury.
- Apply decals to necessary parts prior to assembly.
- Additional tools recommended(not included):Sprue cutter, Long nose pliers, hobby knife, file, tweezers, pin vise, scissors, cement, sandpaper, soft cloth, glue and paint.
- Keep all parts out of reach of children, as they pose a choking hazard. Discard all unnecessary bags and sprues when model is completed to avoid accidental injury.

### 装配之前仔细阅读

- 小心用模型锉刀锉平所有零件表面的注射浇口。
- 小心用刀片切下蚀刻片零件，不要遗失小零件。
- 用强力快干胶水粘合蚀刻片零件和金属轴。过量的快干胶水使用可能导致可动零件会粘住，小心涂胶。
- 取蚀刻片时应特别注意安全，防止利边划伤手指。
- 某些零件表面需贴水贴纸，请选择在装配的同时进行。
- 推荐模型工具(自备)：胶水，水口剪刀，长咀钳，刀片，锉刀，镊子钳，钻，剪刀，瞬间快干胶。
- 软布同砂纸同时也应该是必备工具。
- 请使用塑料胶水和油漆，模型内不含。
- 谨防小孩吸吮塑料零件，或者将塑料袋套在头上，制作时应将套材远离小孩接触。



cyanocrylate glue  
使用强力胶



weight  
配重



make hole  
钻孔



cut / remove  
切除



bend  
弯曲



file / sand  
锉平



option  
选择



no cement  
不涂胶水



decal  
贴纸

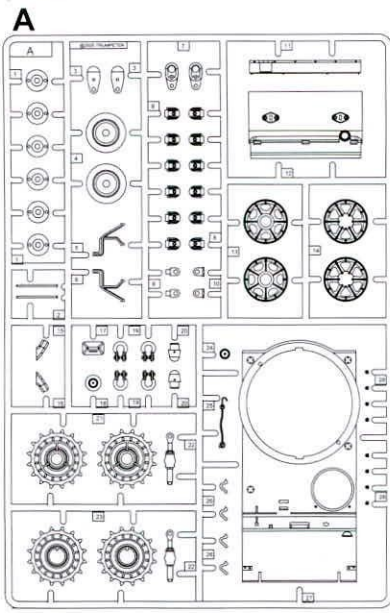
### 水贴纸的使用:

1. 从水贴上剪下印花;
2. 将印花放入温水中浸10秒, 然后放在干净布上.
3. 拿着印花纸板将印花移到模型上;
4. 手指蘸水将印花移到适当的位置;
5. 用软布轻压印花直至水干, 气泡消失.

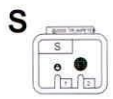
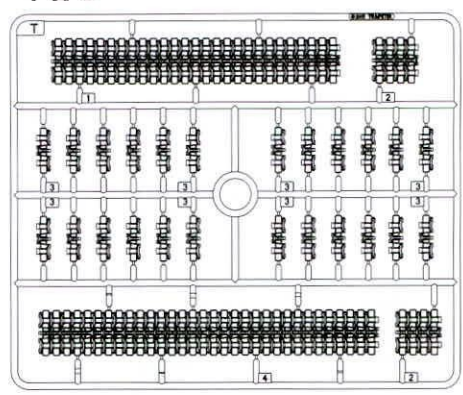
### DECAL APPLICATION

1. Cut off decal from sheet.
2. Dip the decal in tepid water 40°C for about 10 sec. and place on a clean cloth.
3. Hold the backing sheet edge and slide decal onto the model.
4. Move decal into position by wetting decal with finger.
5. Press decal gently down with a soft cloth until excess water and air bubbles are gone.

部品图 Parts



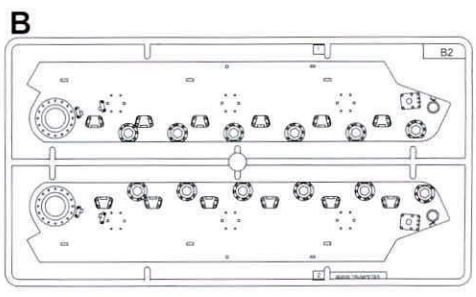
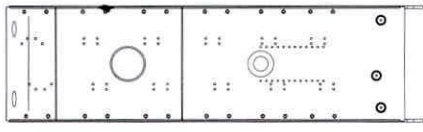
T x 2



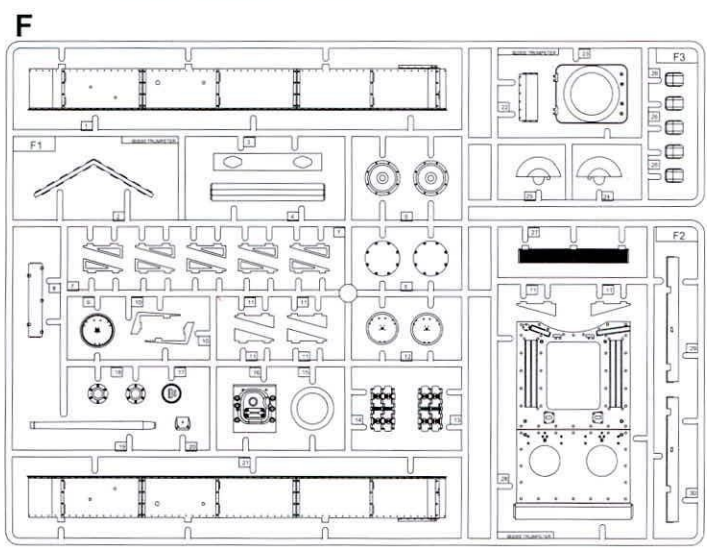
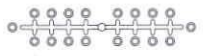
炮塔  
Turret



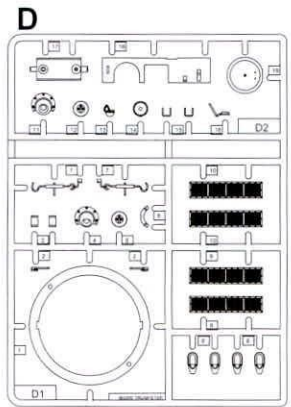
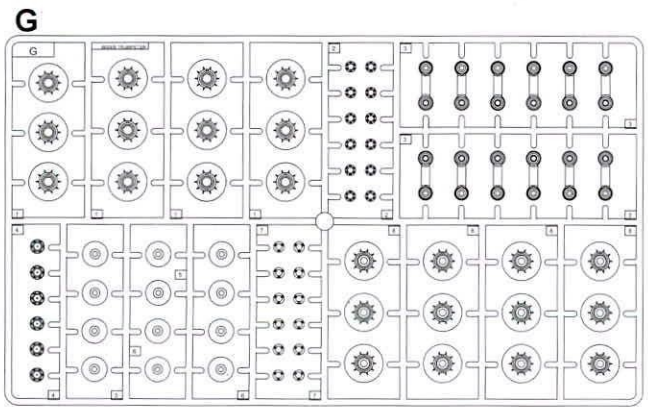
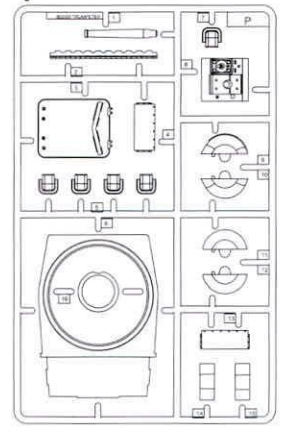
车体  
Hull



聚乙烯套  
Poly cap



P

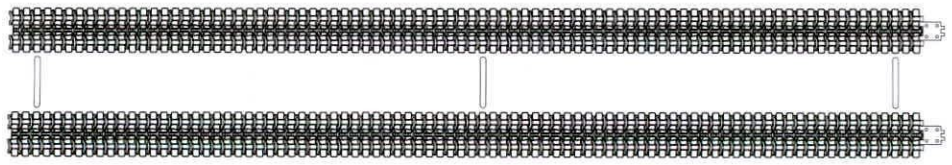


水贴纸  
Decal

铜索  
Brass wire

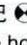


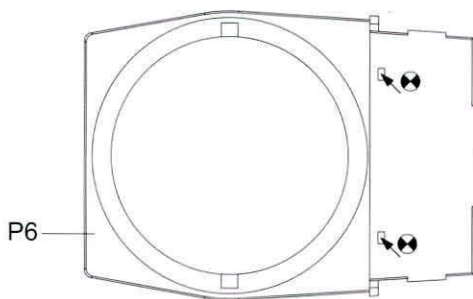
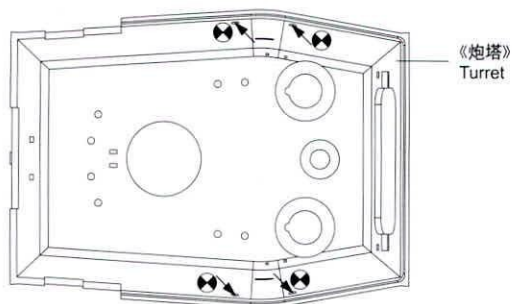
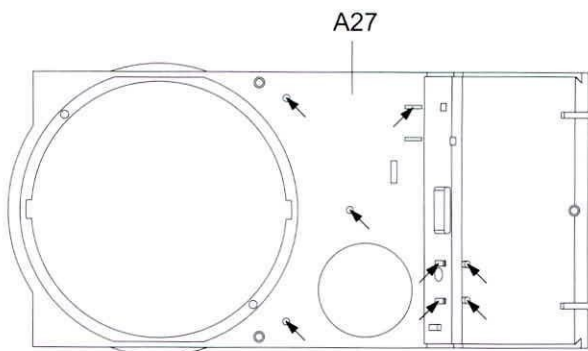
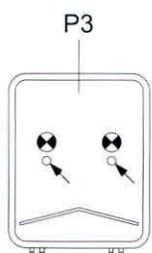
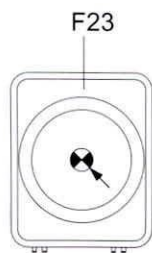
履带  
Track



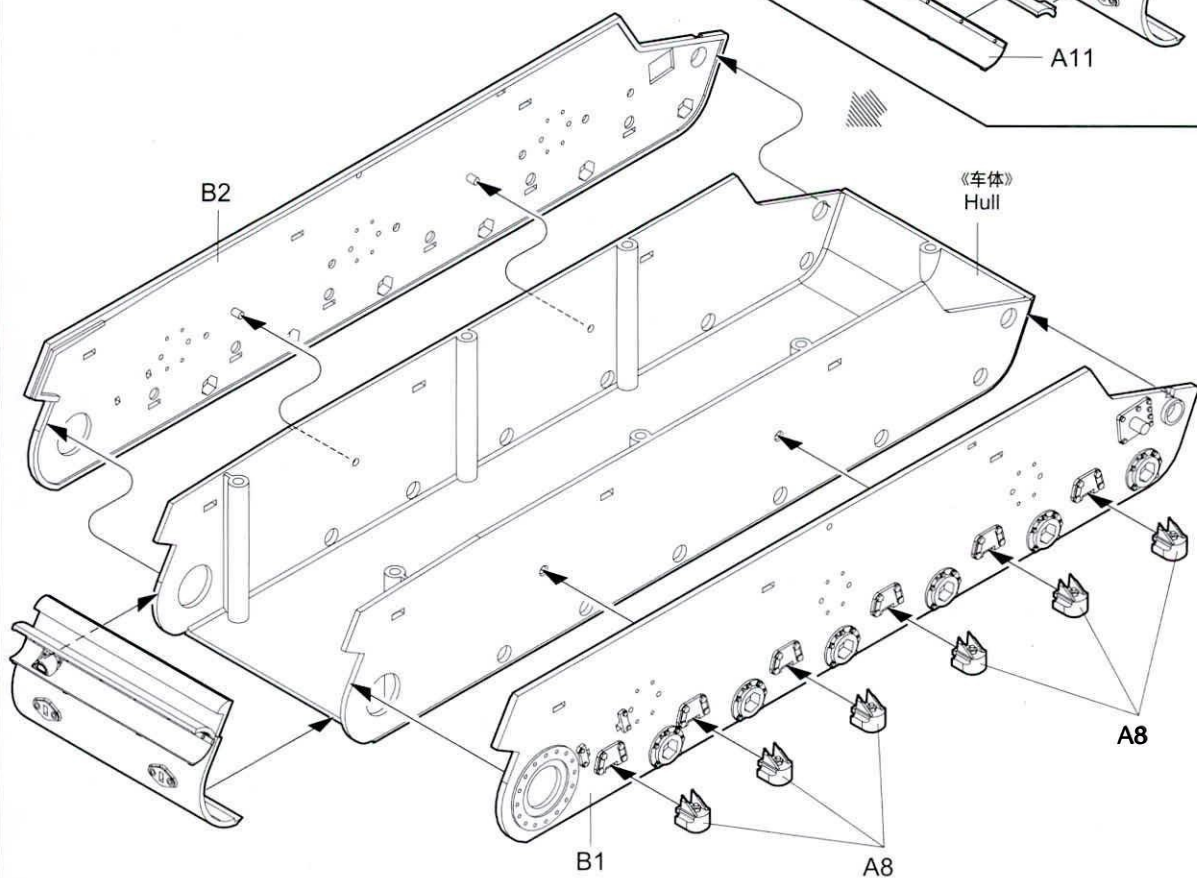
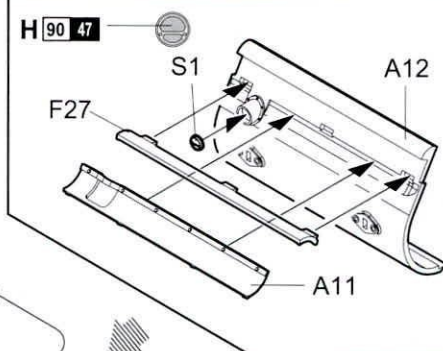
不用部件: A2, D10, F22, F24, F25, F26  
Unused parts: A2, D10, F22, F24, F25, F26

钻穿图中指示的孔位  
Make holes

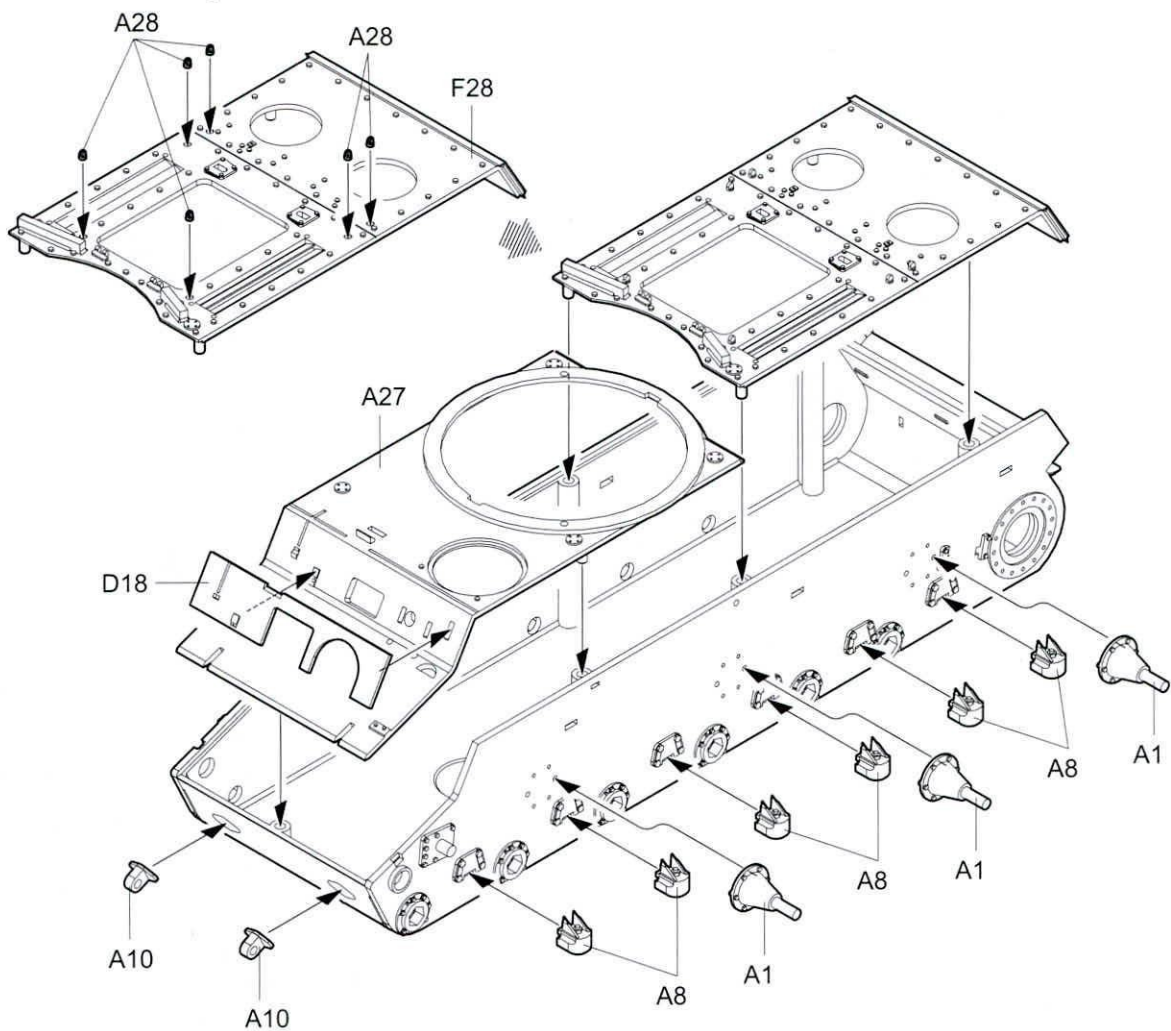
标记  处为选择性定位孔, 参考第16步  
The hole with "" is optional refer to step 16 please.



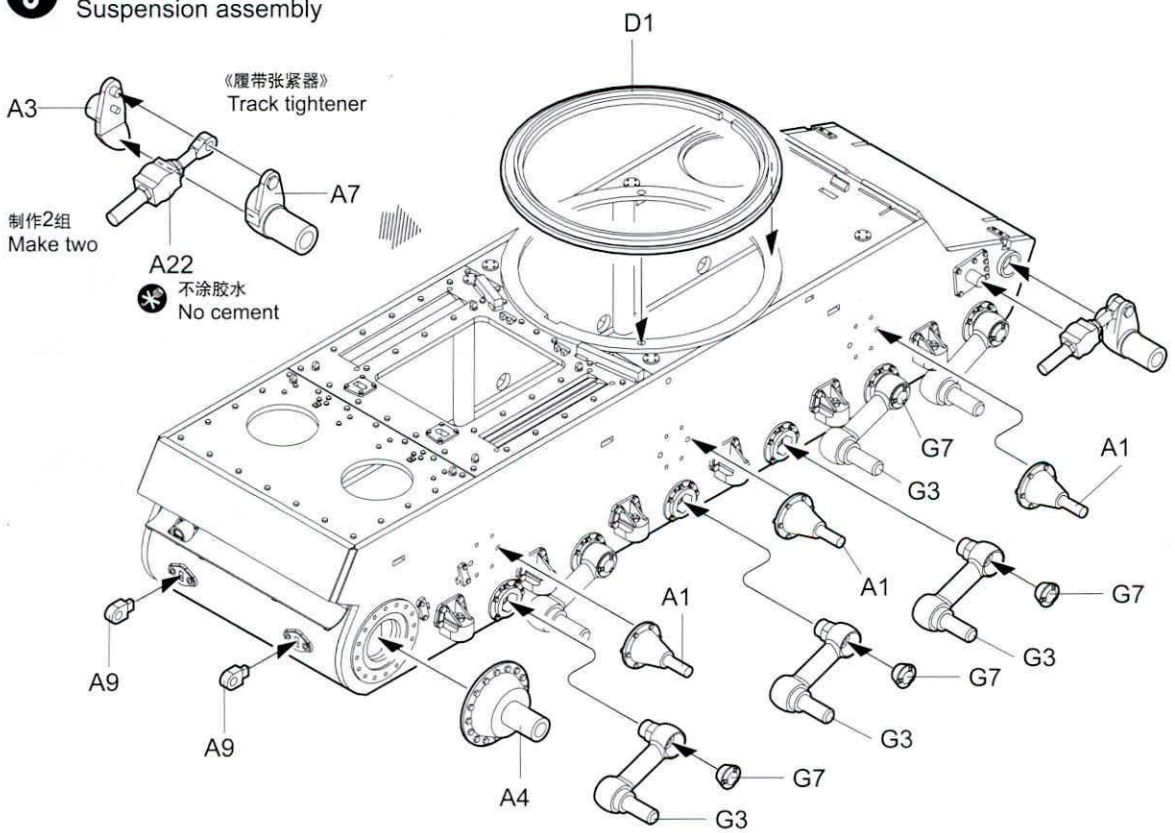
**1** 车体组装  
Hull assembly



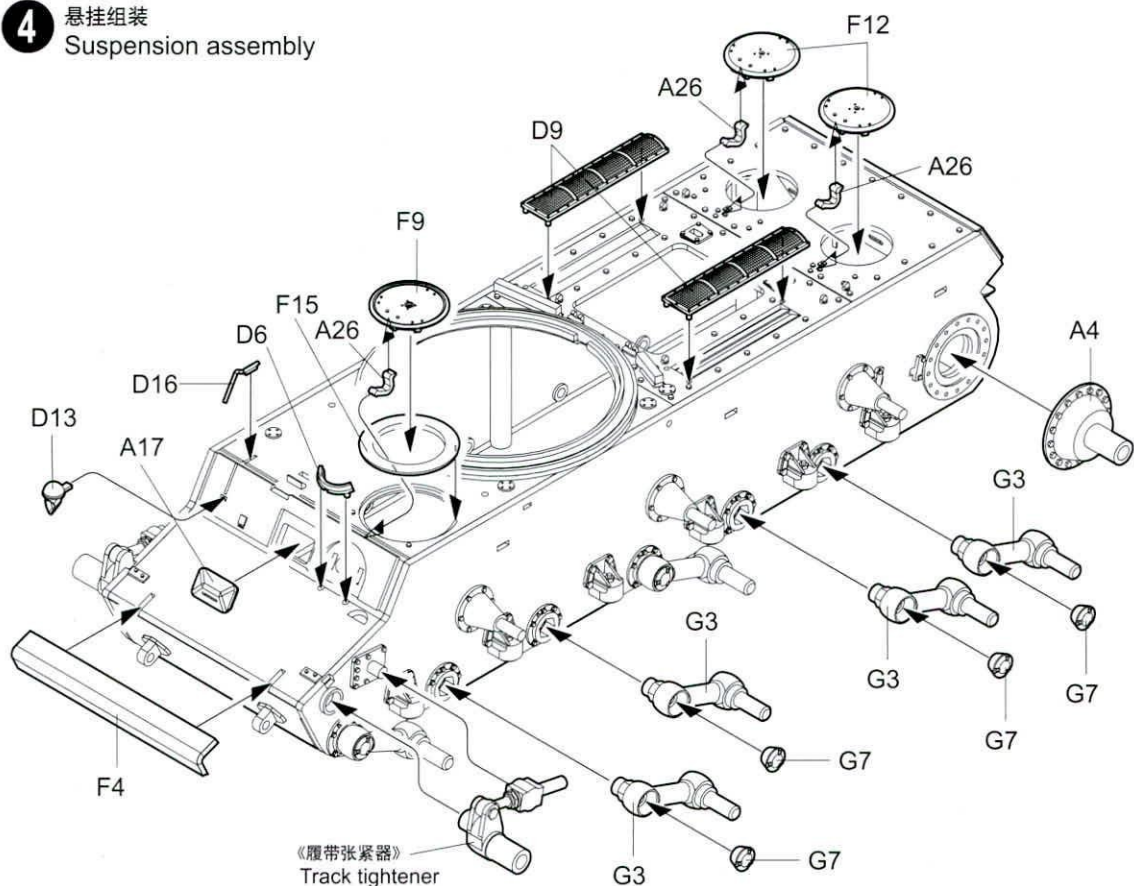
**2** 车体组装  
Hull assembly



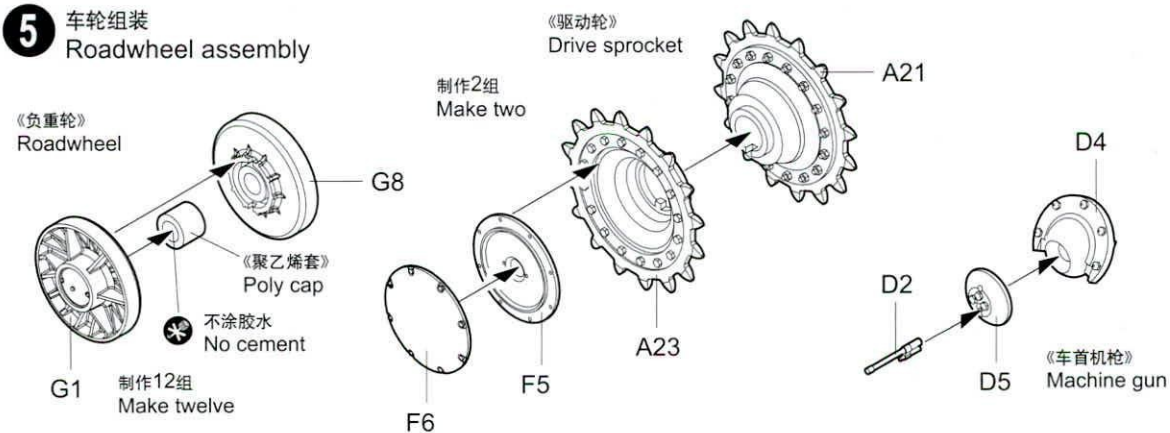
**3** 悬挂组装  
Suspension assembly



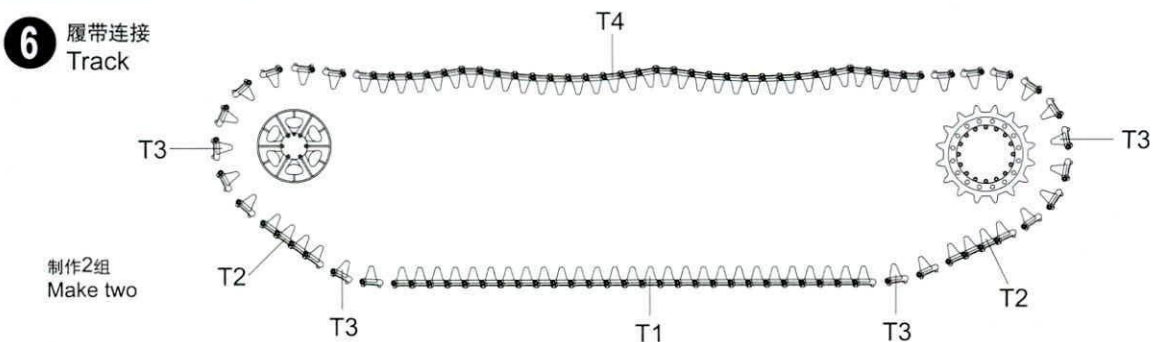
**4** 悬挂组装  
Suspension assembly



**5** 车轮组装  
Roadwheel assembly



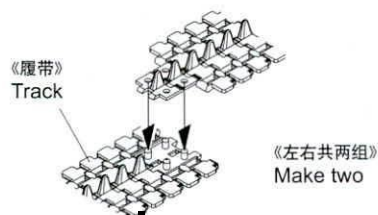
**6** 履带连接  
Track



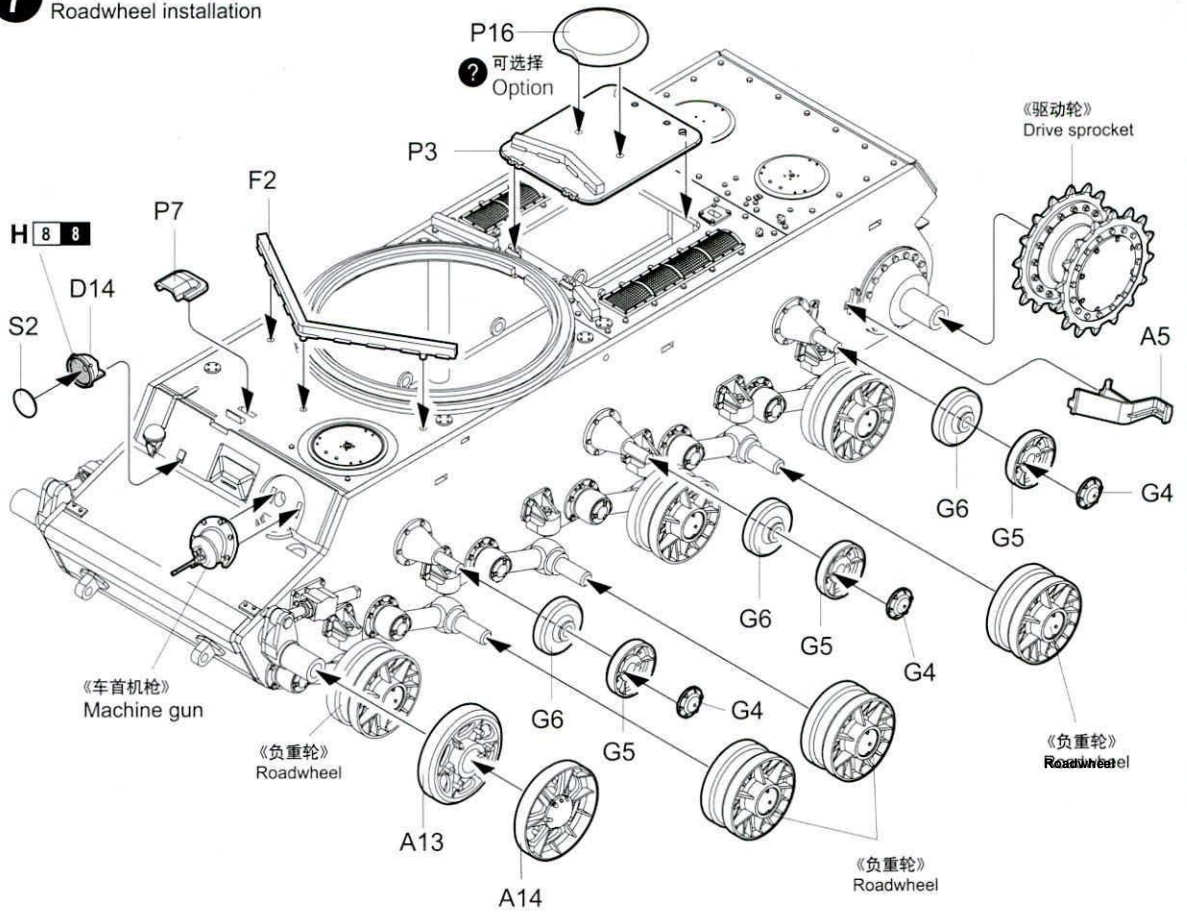
**?** 可选择  
Option

定位好履带后加热软化接头并压紧；  
如果履带断裂，用细铜丝连接固定。

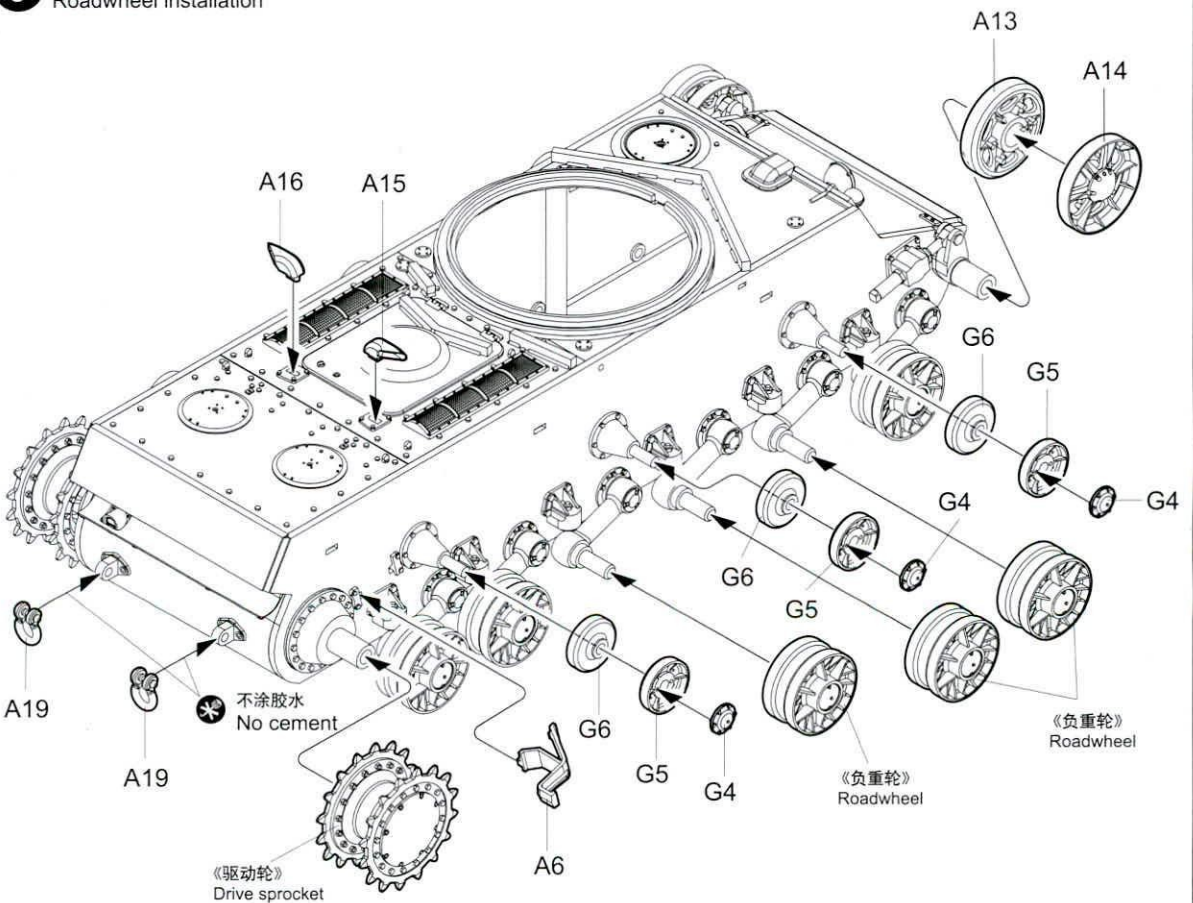
Melt pin heads carefully with a heated nail etc.  
Immediately press pin heads with your finger;  
If track is broken strengthen with staples or thread.



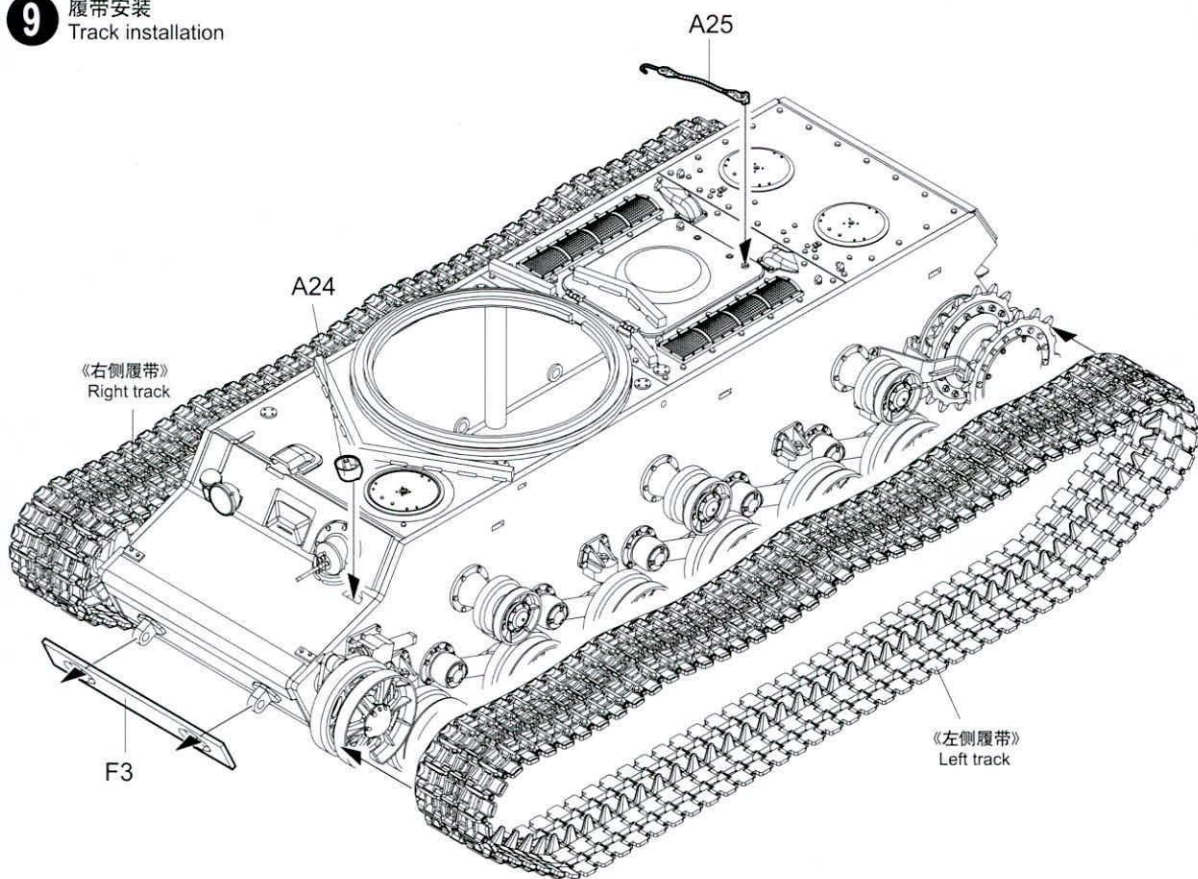
**7** 车轮安装  
Roadwheel installation



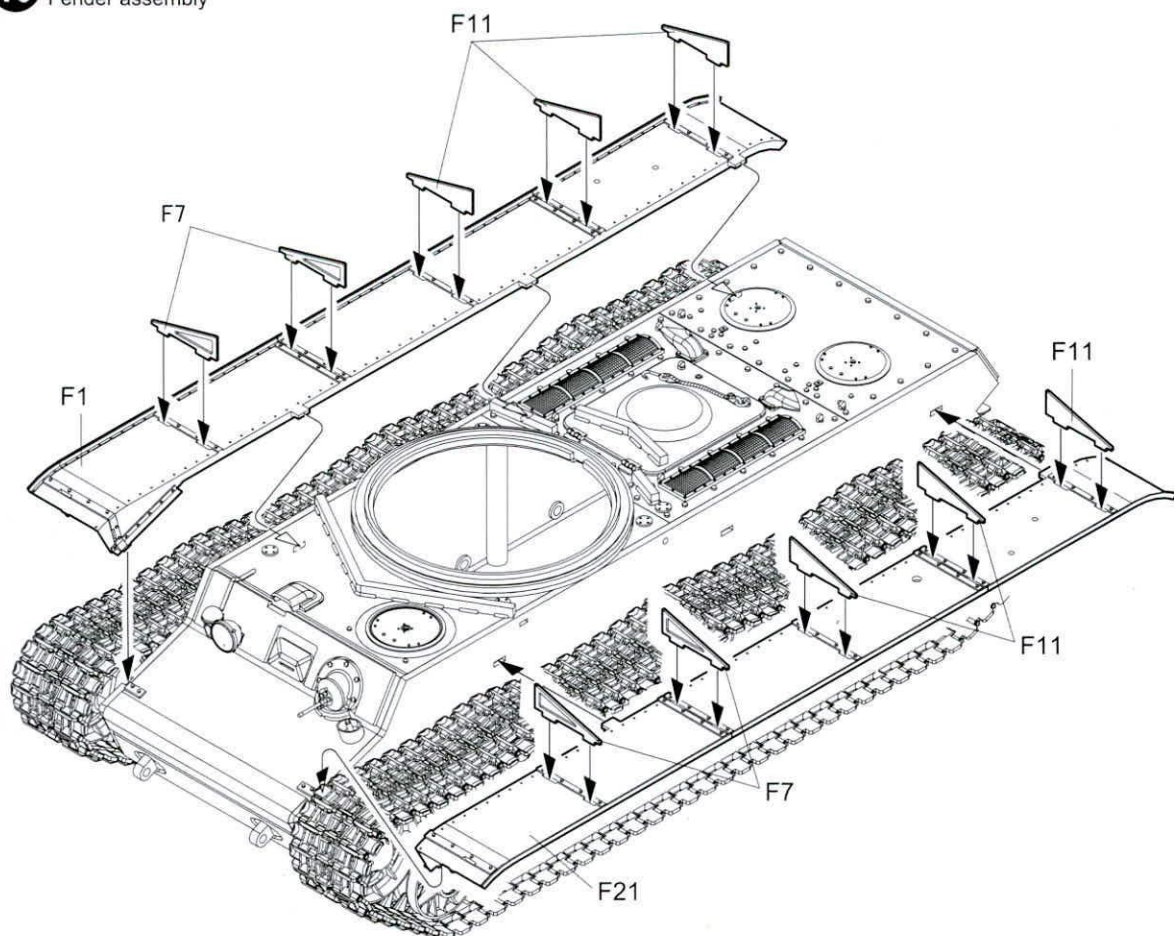
**8** 车轮安装  
Roadwheel installation



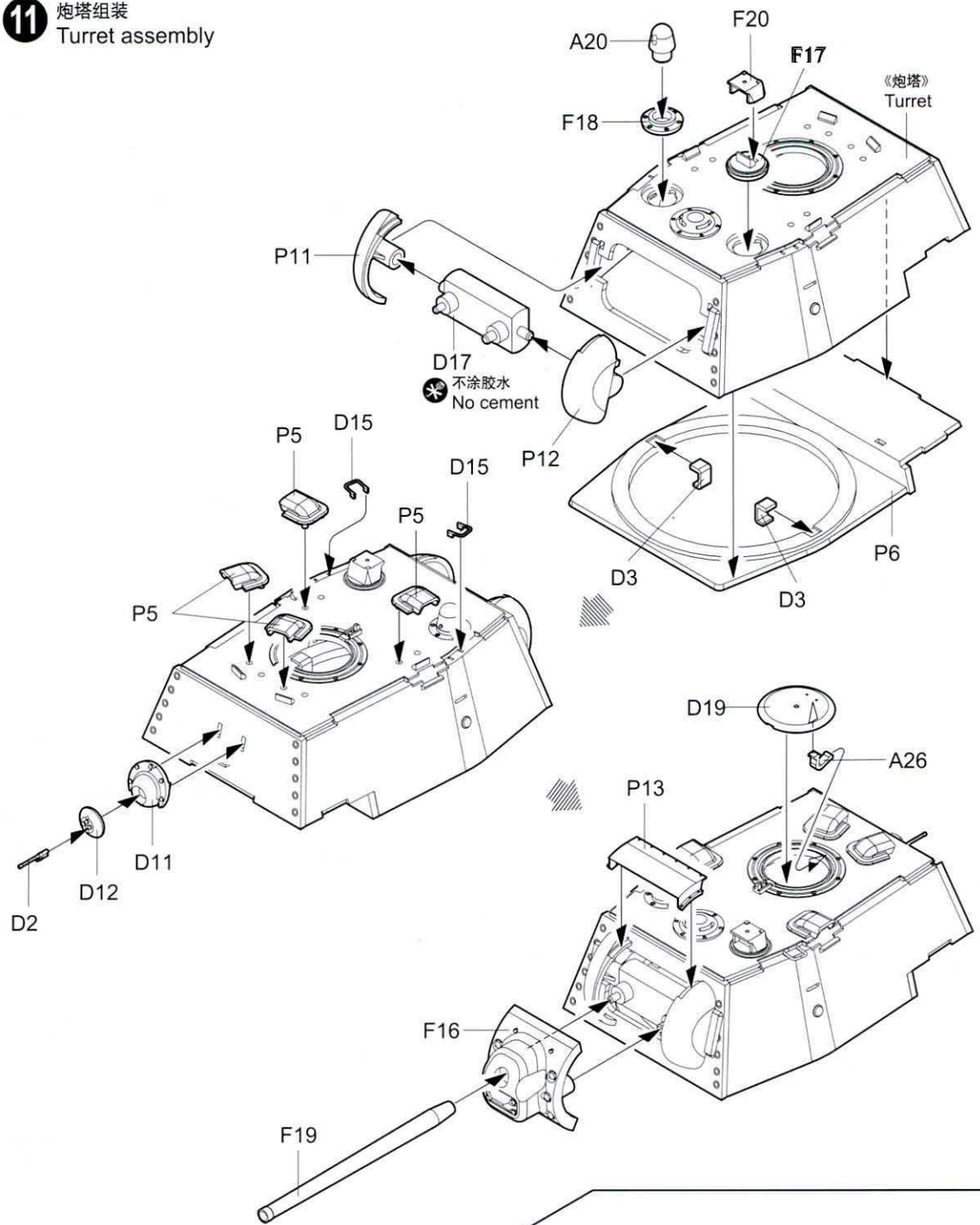
**9** 履带安装  
Track installation



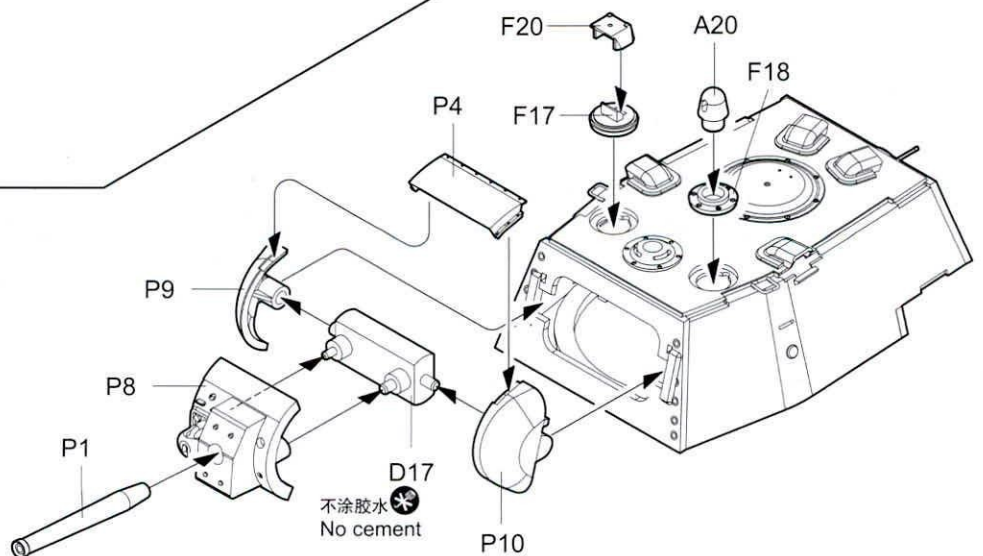
**10** 翼子板组装  
Fender assembly



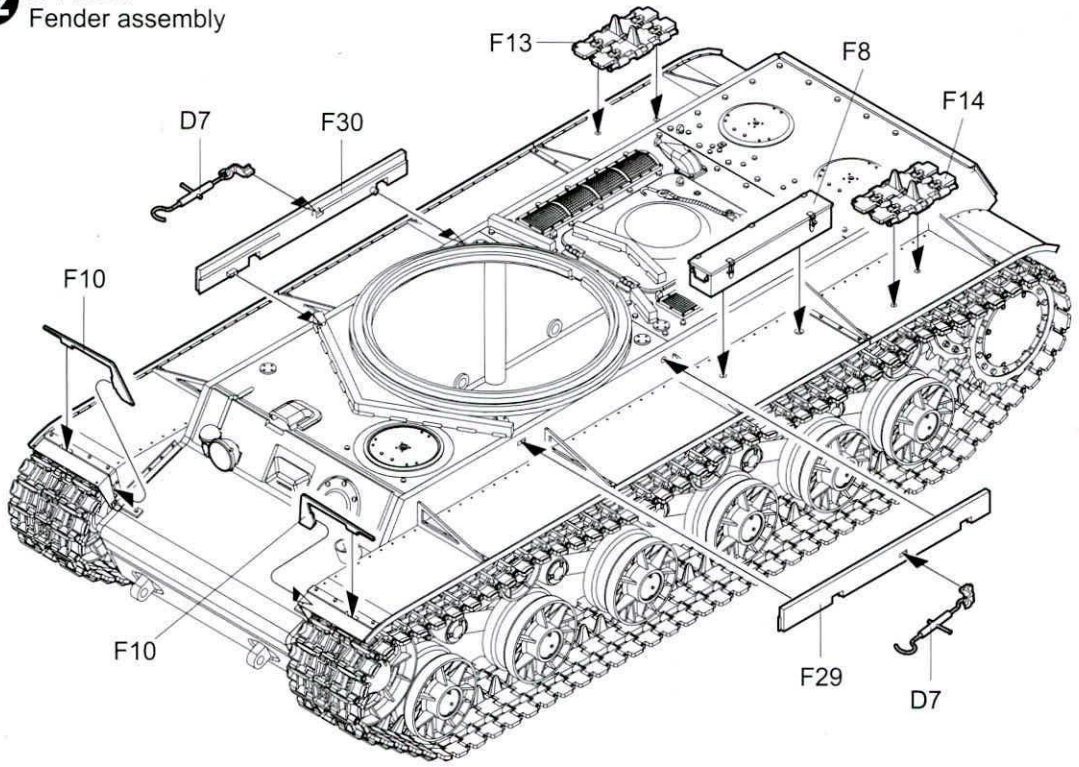
**11** 炮塔组装  
Turret assembly



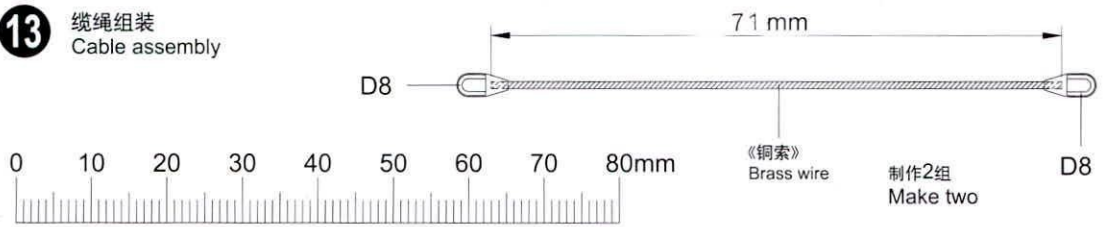
**?** 可选择  
Option



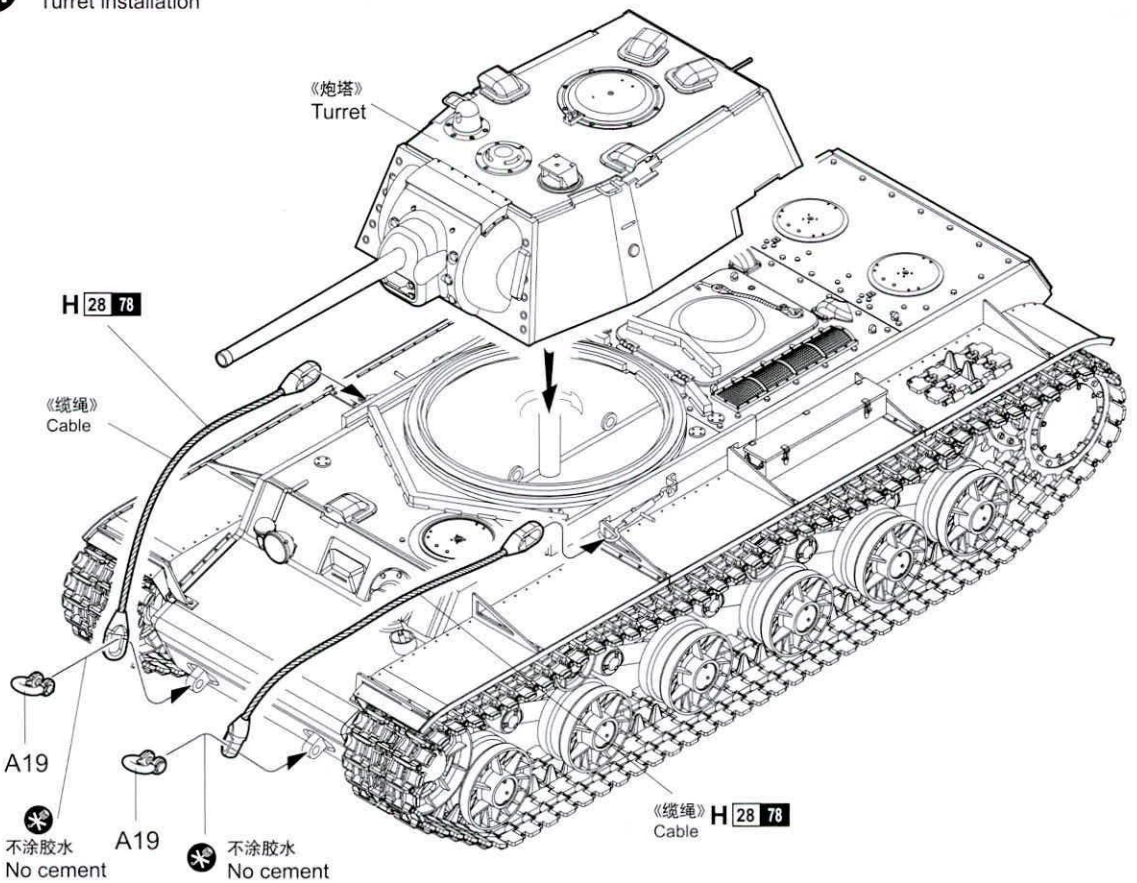
**12** 翼子板组装  
Fender assembly



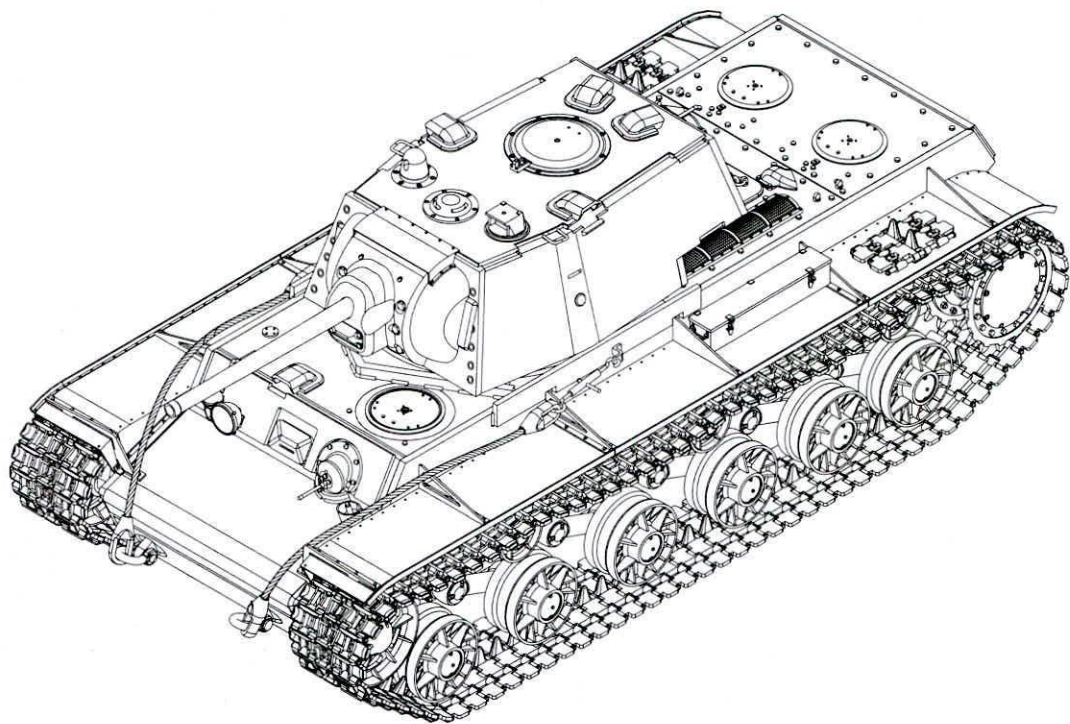
**13** 缆绳组装  
Cable assembly



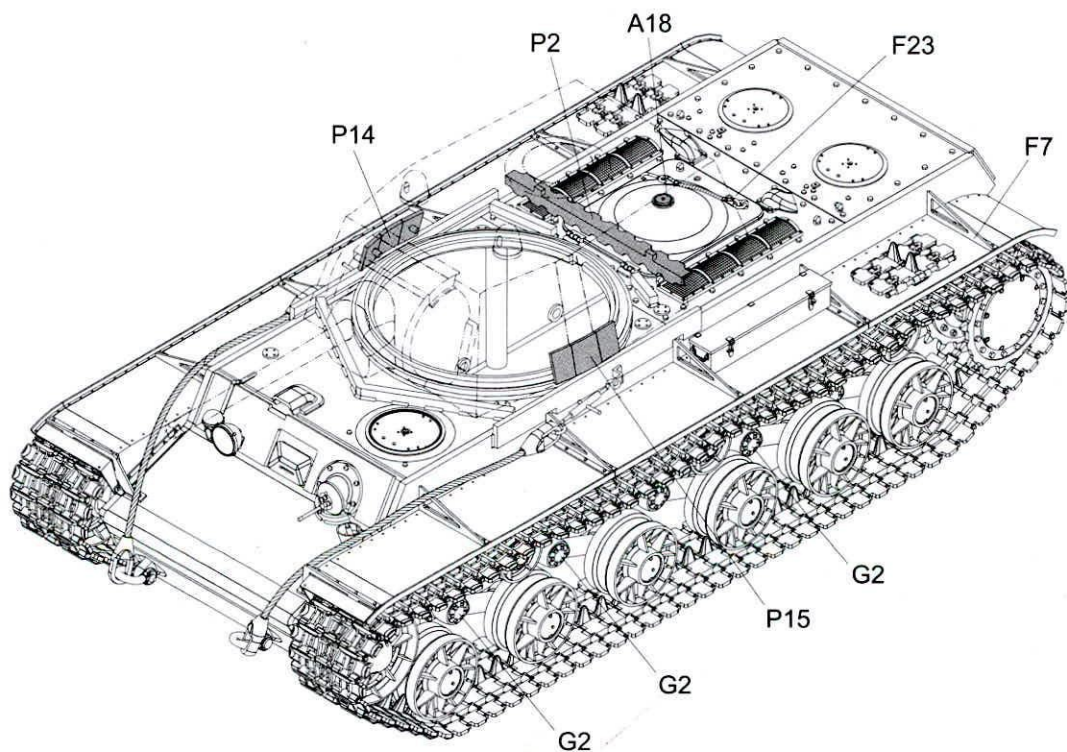
**14** 炮塔安装  
Turret installation



**15** 完成  
Finish

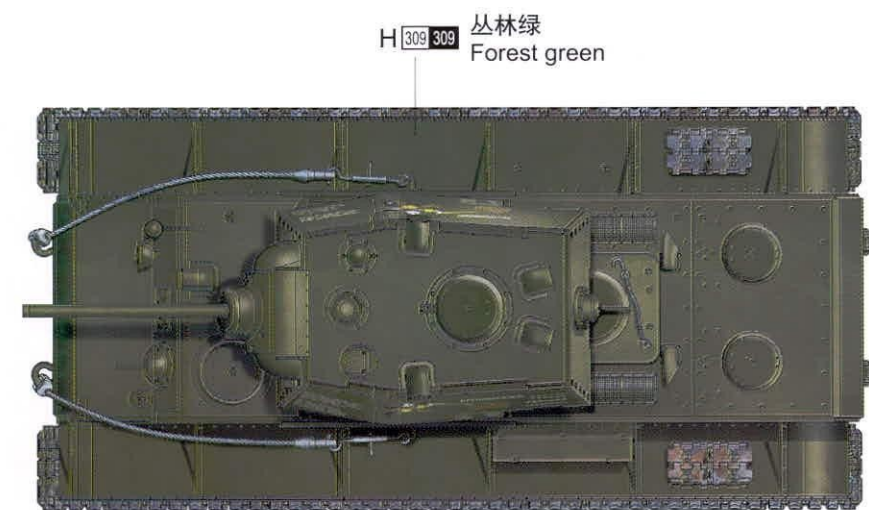
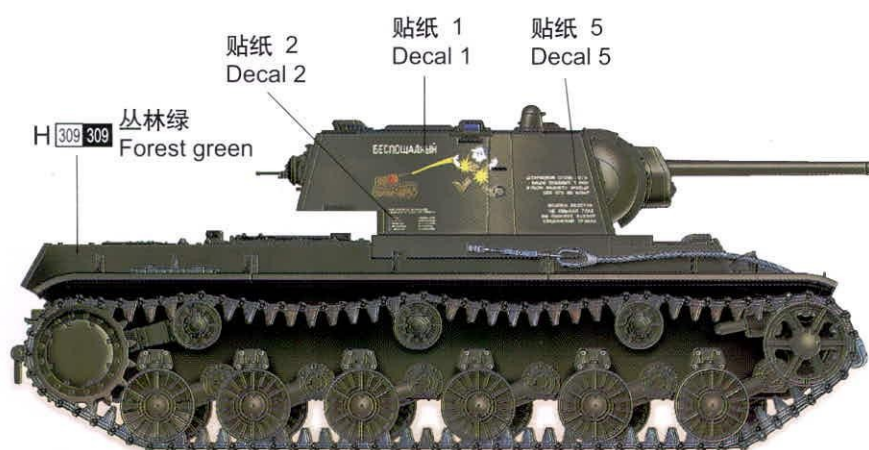
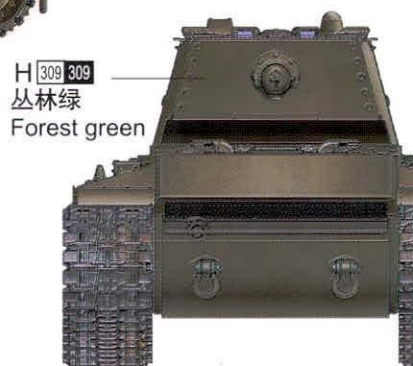
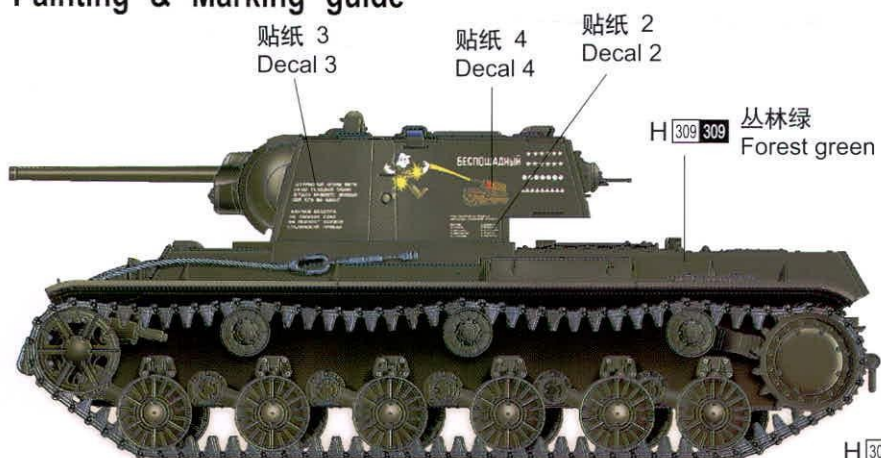


**16** 可选装零件示意图  
We have supplied the optional parts for you to use of you so desire.



涂装同标贴指示  
Painting & Marking guide

使用郡仕公司涂料:  
Gunze Sangyo Mr.colors



H X GUNZE SANGYO AQUEOUS HOBBY COLOUR

H X GUNZE SANGYO MR.COLOUR