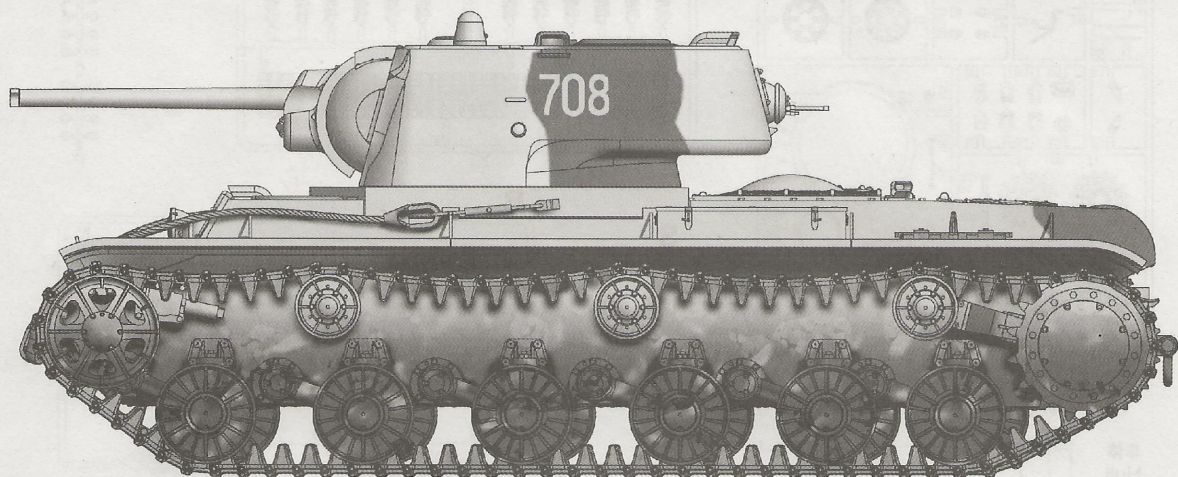


Russia KV-1 model 1942 Heavy Cast Turret Tank

苏联KV-1 1942年型重型铸造炮塔坦克
Developed with the cooperation of Antonio Pang



READ BEFORE ASSEMBLY

- Study and understand these instructions thoroughly before beginning assembly. Make sure all parts are included by comparing them to those shown on pages 2 of these instructions. Remove parts from sprues as needed, and trim excess with a hobby knife. Be careful not to lose small parts.
- Remove photo-etch parts from sprue as needed using a hobby knife or photo etch cutter.
- Apply cement to photo etch parts as shown on instructions.
- Applying too much cement will restrict the operation of these movable parts. Apply cement carefully! Removed photo etch parts can have sharp edges. Take care when handling these to avoid injury.
- Apply decals to necessary parts prior to assembly.
- Additional tools recommended(not included):Sprue cutter, Long nose pliers, hobby knife, file, tweezers, pin vise, scissors, cement, sandpaper, soft cloth, glue and paint.
- Keep all parts out of reach of children, as they pose a choking hazard. Discard all unnecessary bags and sprues when model is completed to avoid accidental injury.

装配之前仔细阅读

- 小心用模型锉刀锉平所有零件表面的注射浇口。
- 小心用刀片切下蚀刻片零件，不要遗失小零件。
- 用强力快干胶水粘合蚀刻片零件和金属轴。过量的快干胶水使用可能导致可动零件会粘住，小心涂胶。
- 取蚀刻片时应特别注意安全，防止利边划伤手指。
- 某些零件表面需贴水上贴纸，请选择在装配的同时进行。
- 推荐模型工具(自备): 胶水，水口剪刀，长咀钳，刀片，锉刀，镊子钳，钻，剪刀，瞬间快干胶。
- 软布同砂纸同时也应该是必备工具。
- 请使用塑料胶水和油漆，模型内不含。
- 谨防小孩吮吸塑料零件，或者将塑料袋套在头上，制作时应将套材远离小孩接触。



cyanoacrylate glue
使用强力胶



weight
配重



make hole
钻孔



cut / remove
切除



bend
弯曲



file / sand
锉平



option
选择



no cement
不涂胶水



decal
贴纸

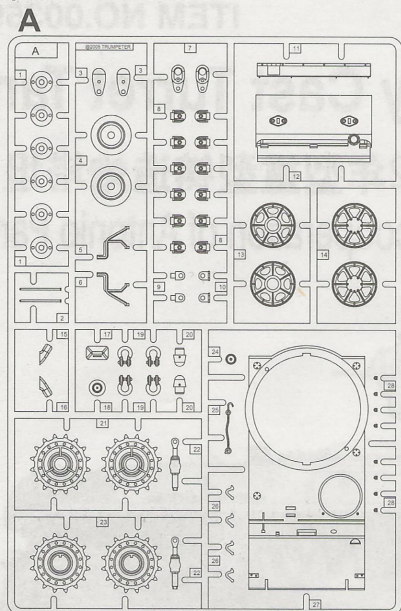
水贴纸的使用:

1. 从水贴上剪下印花;
2. 将印花放入温水中浸10秒, 然后放在干净布上。
3. 拿着印花纸板将印花移到模型上;
4. 手指蘸水将印花移到适当的位置;
5. 用软布轻压印花直至水干, 汽泡消失。

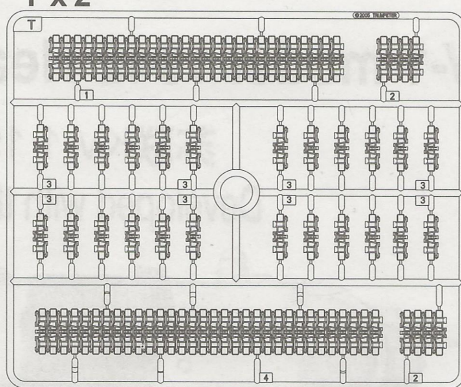
DECAL APPLICATION

1. Cut off decal from sheet.
2. Dip the decal in tepid water 40°C for about 10 sec. and place on a clean cloth.
3. Hold the backing sheet edge and slide decal onto the model.
4. Move decal into position by wetting decal with finger.
5. Press decal gently down with a soft cloth until excess water and air bubbles are gone.

部品图 Parts



T x 2

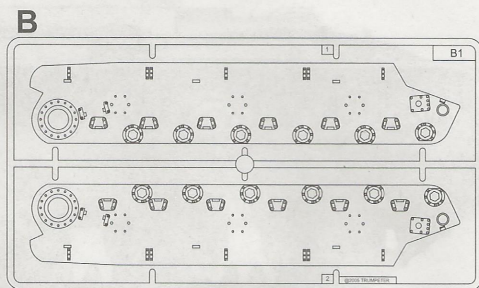
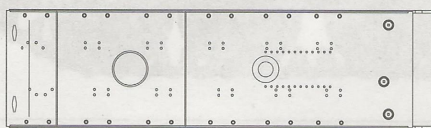


不用部件: A2
Unused parts: A2

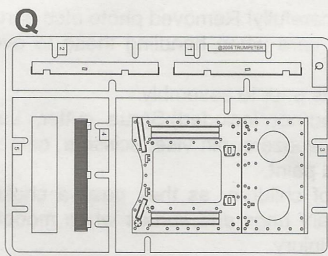
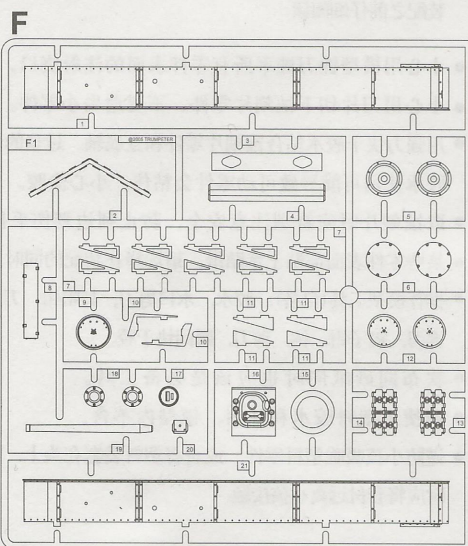
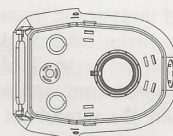
聚乙烯套
Poly cap



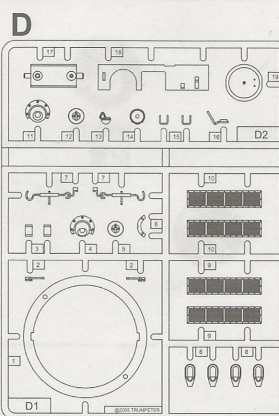
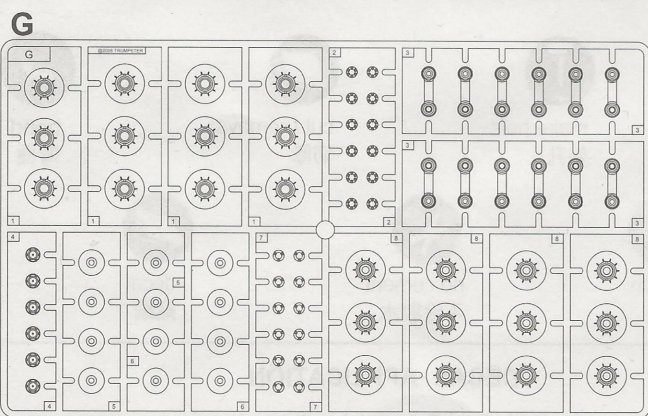
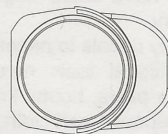
车体
Hull



炮塔上部
Upper turret



炮塔下部
Lower turret

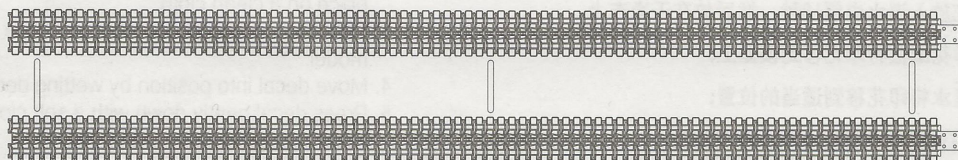


水贴纸
Decal

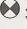
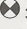
铜索
Brass wire

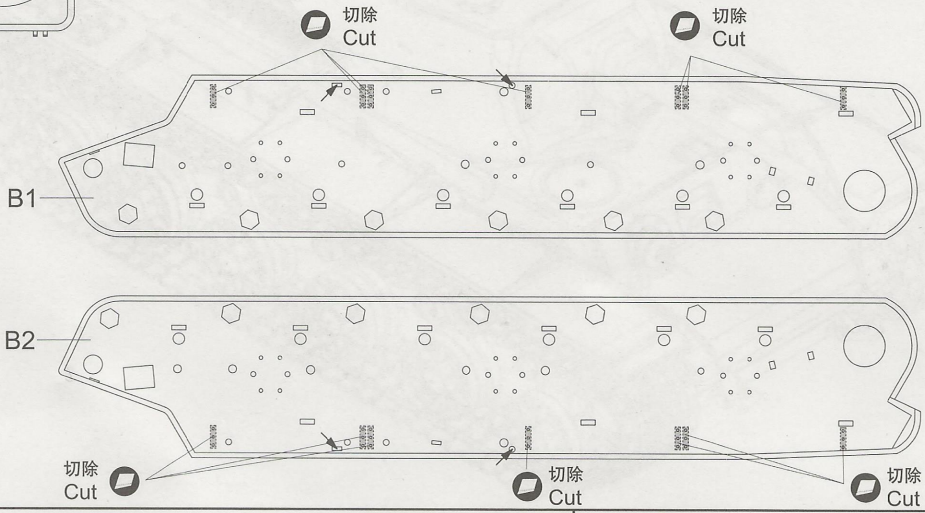
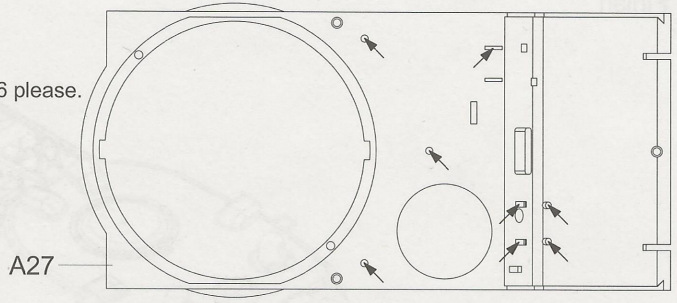
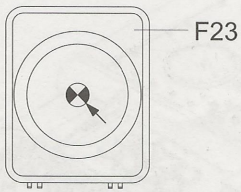


履带
Track

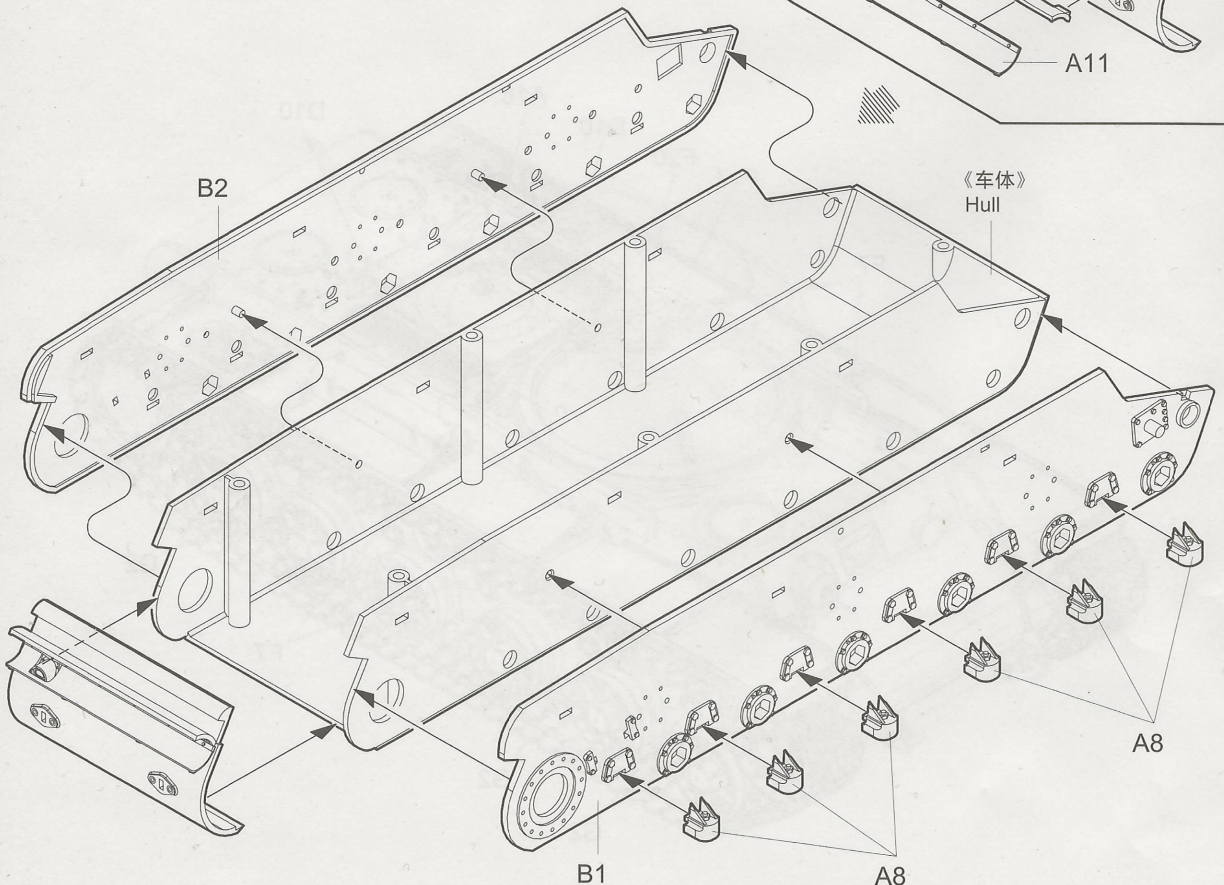
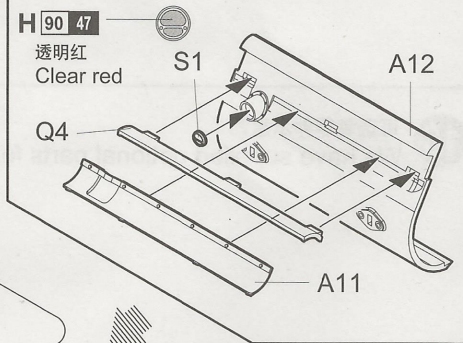


I 钻穿图中指示的孔位
Make holes

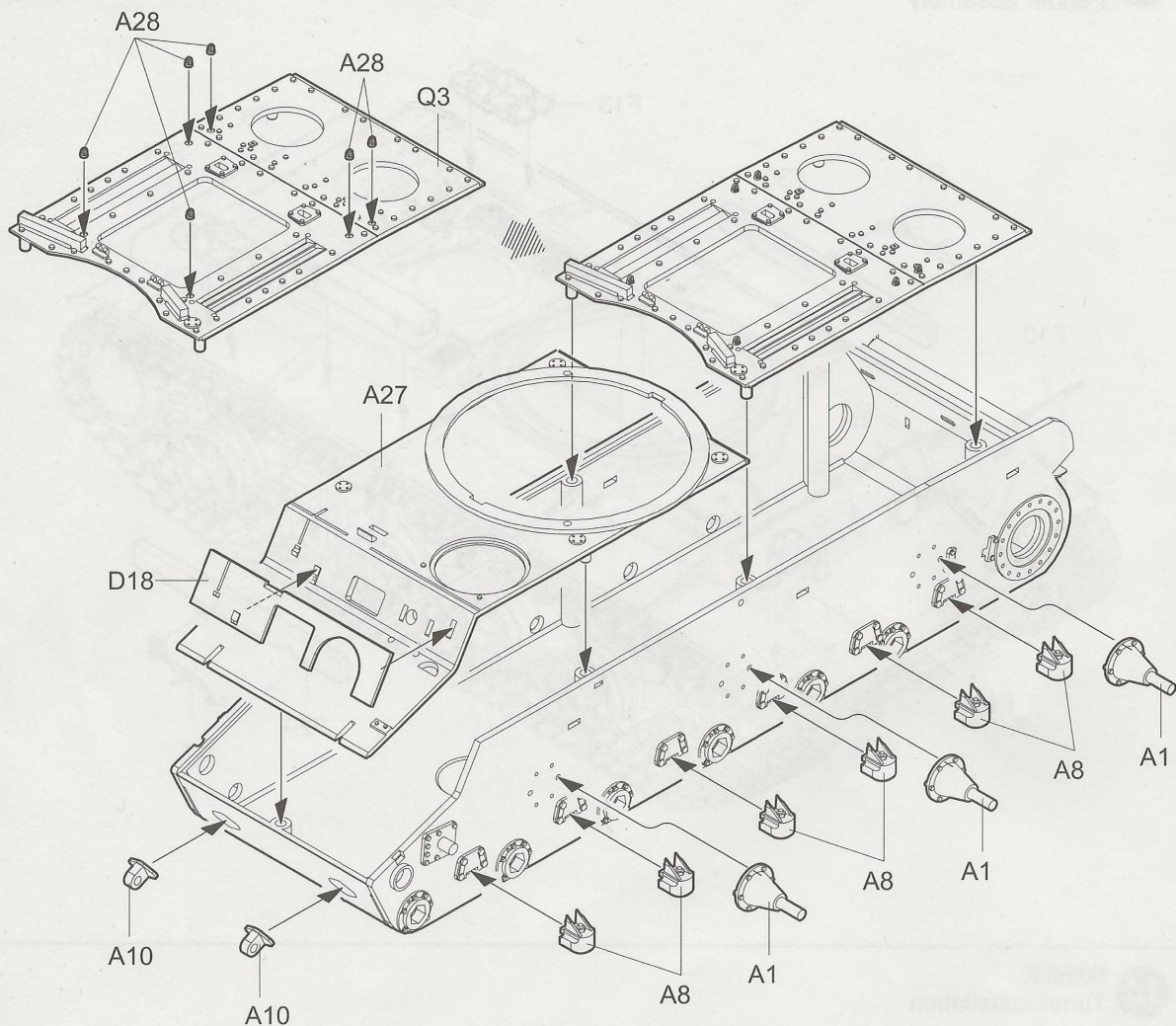
标记  处为选择性定位孔, 参考第16步
The hole with "" is optional refer to step 16 please.



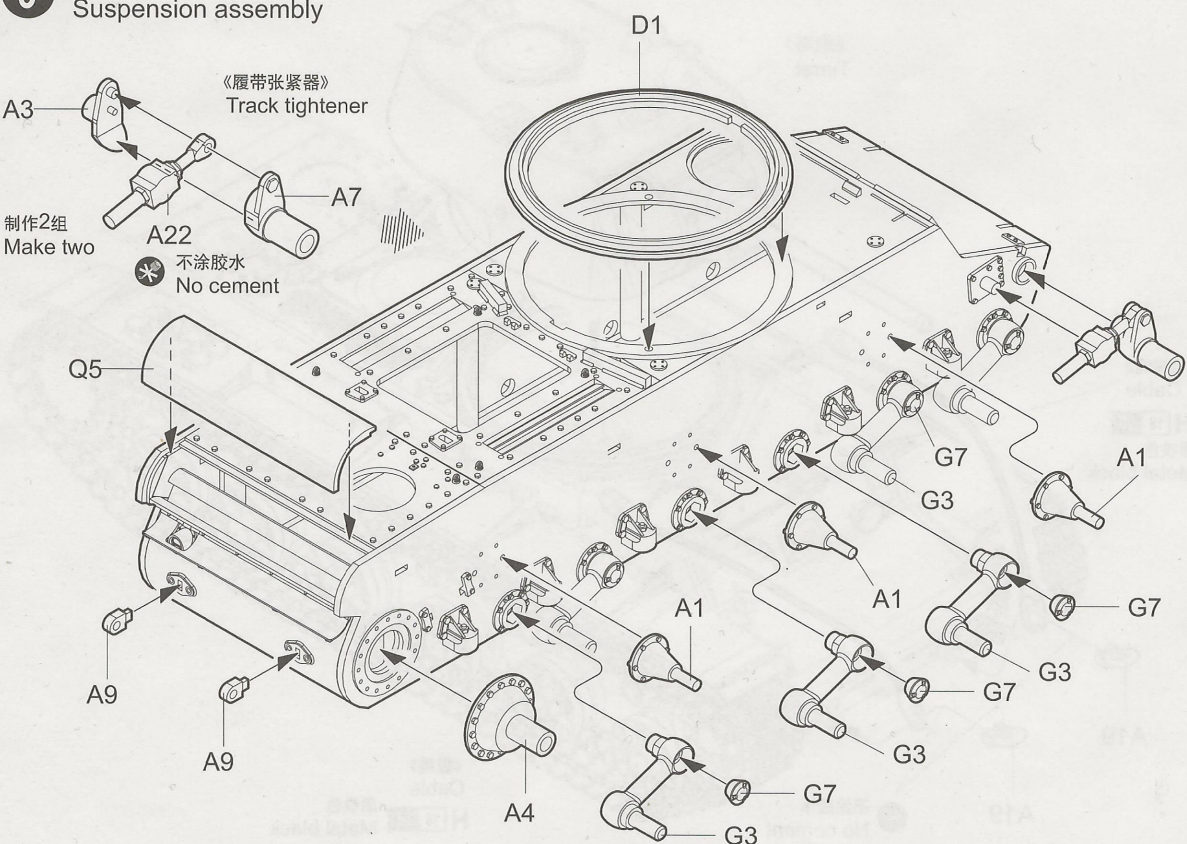
1 车体组装
Hull assembly



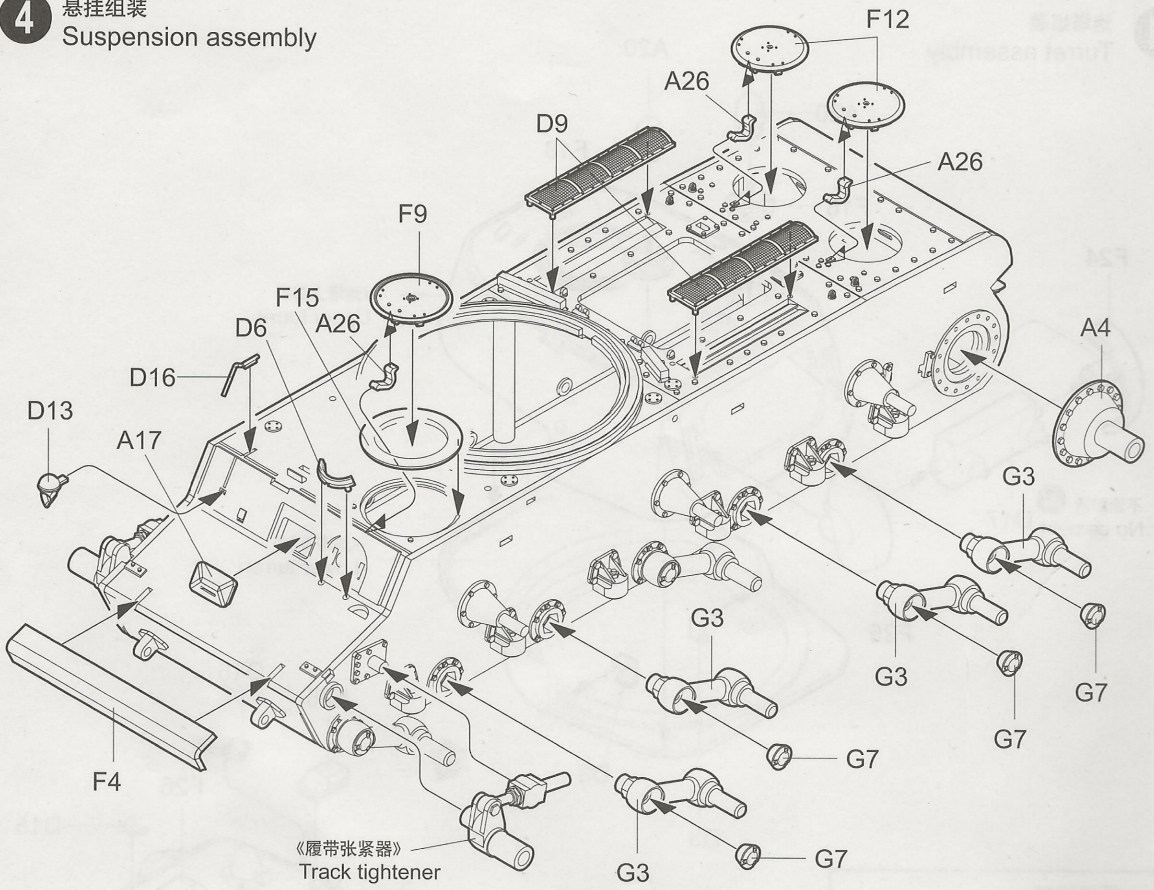
2 车体组装
Hull assembly



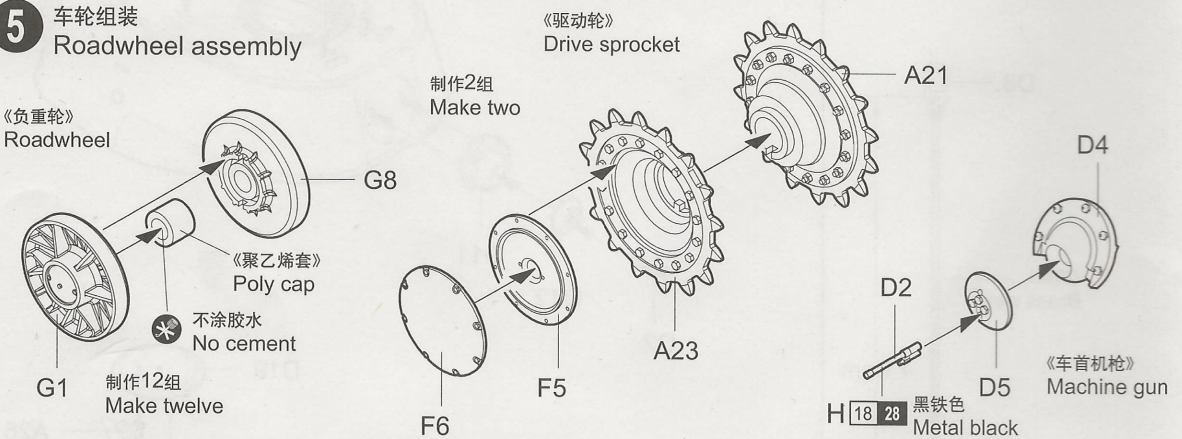
3 悬挂组装
Suspension assembly



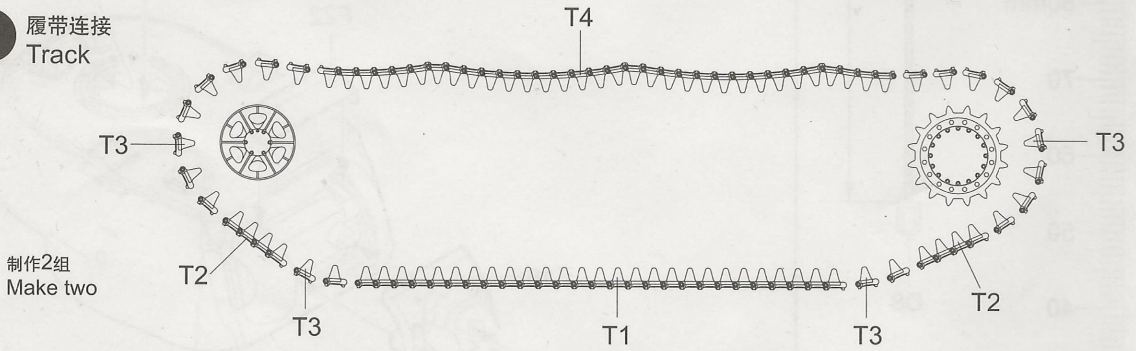
4 悬挂组装
Suspension assembly



5 车轮组装
Roadwheel assembly



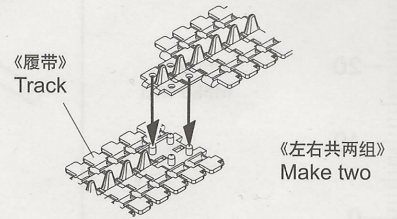
6 履带连接
Track



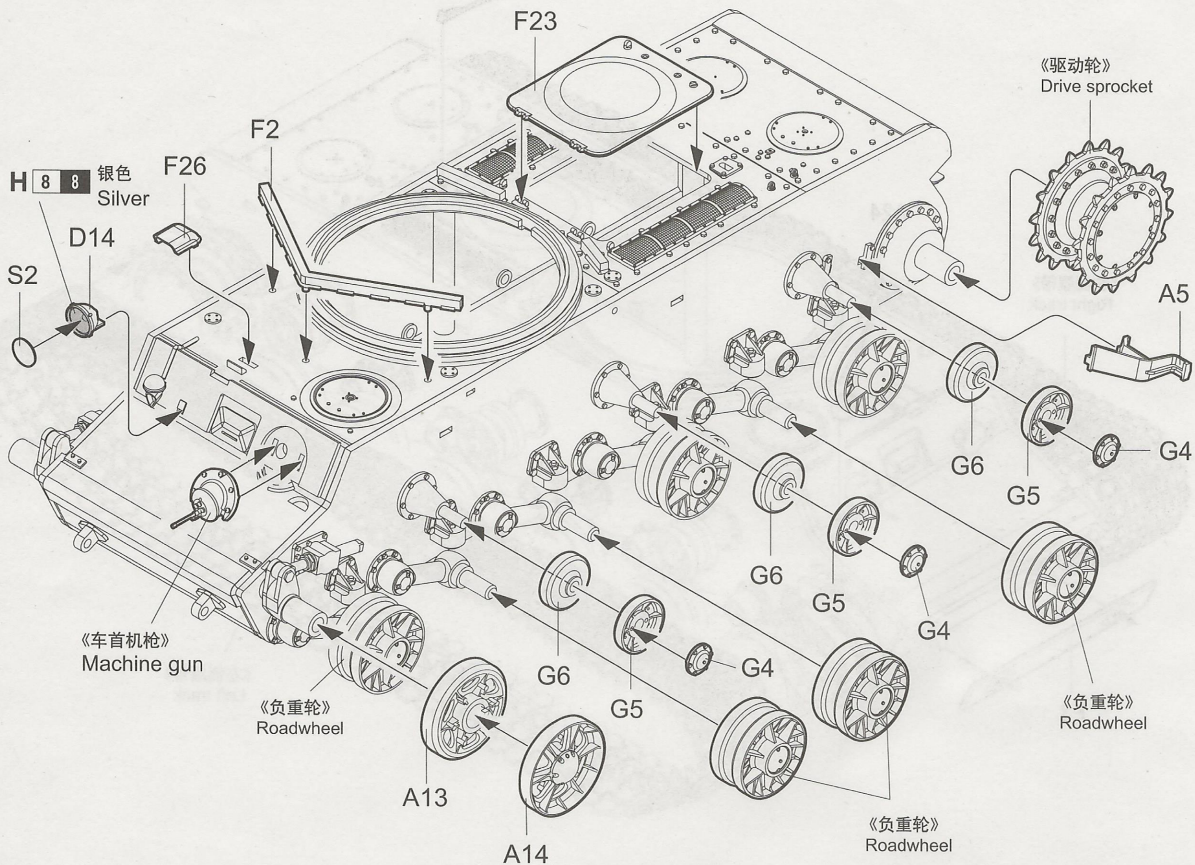
? 可选择
Option

定位好履带后加热软化接头并压紧；
如果履带断裂，用细铜丝连接固定。

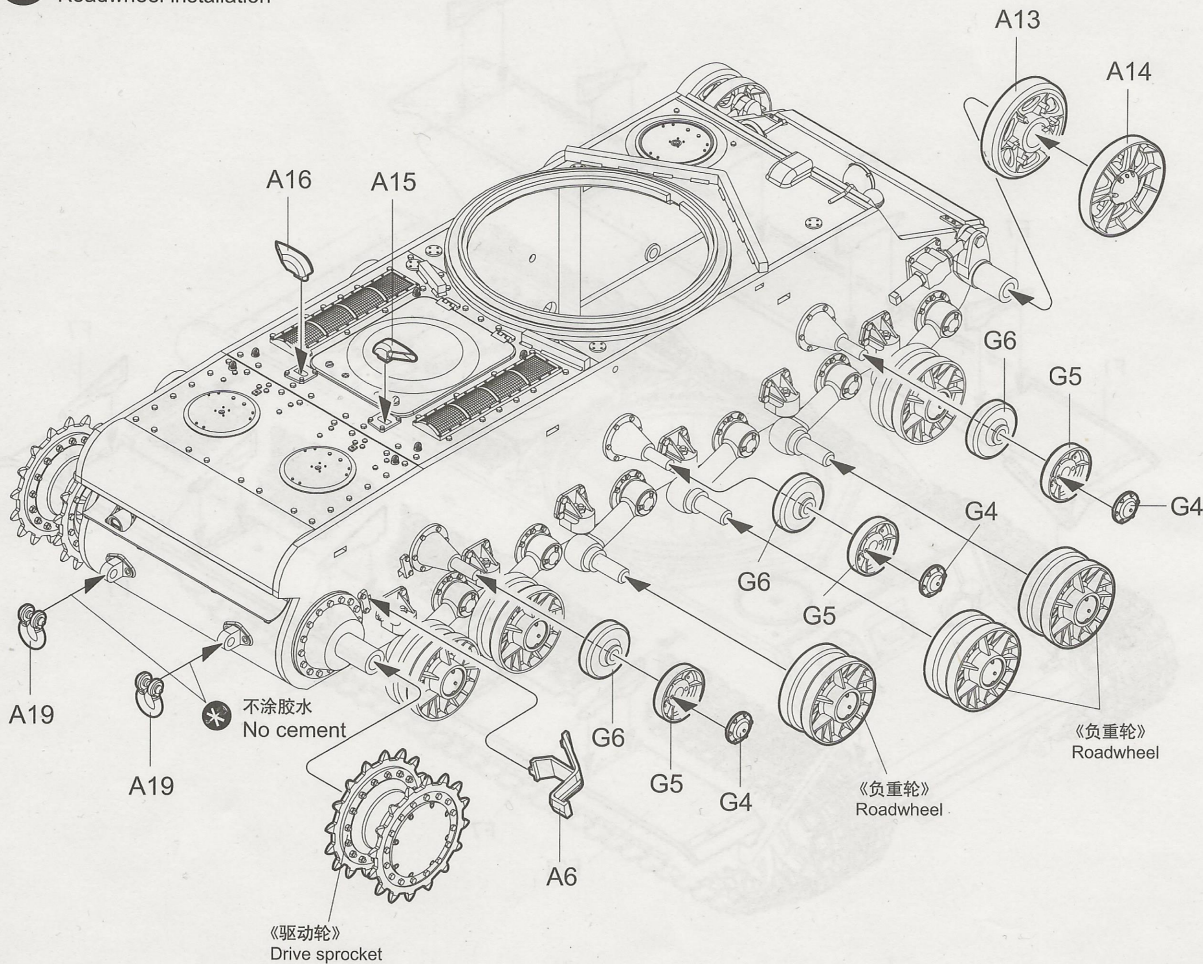
Melt pin peads carefully with a heated nail etc.
Immediately press pin heads with your finger;
If track is broken strengthen with staples or thread.



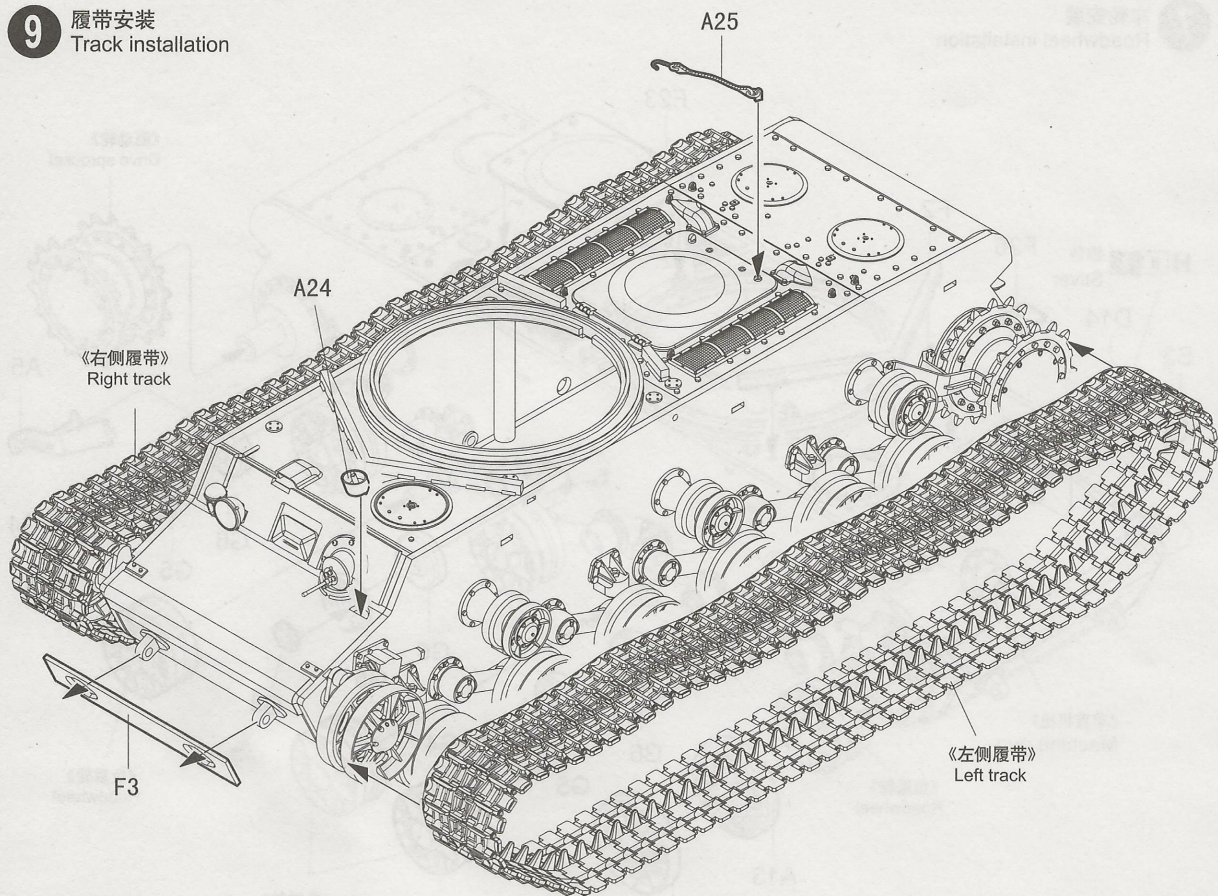
7 车轮安装
Roadwheel installation



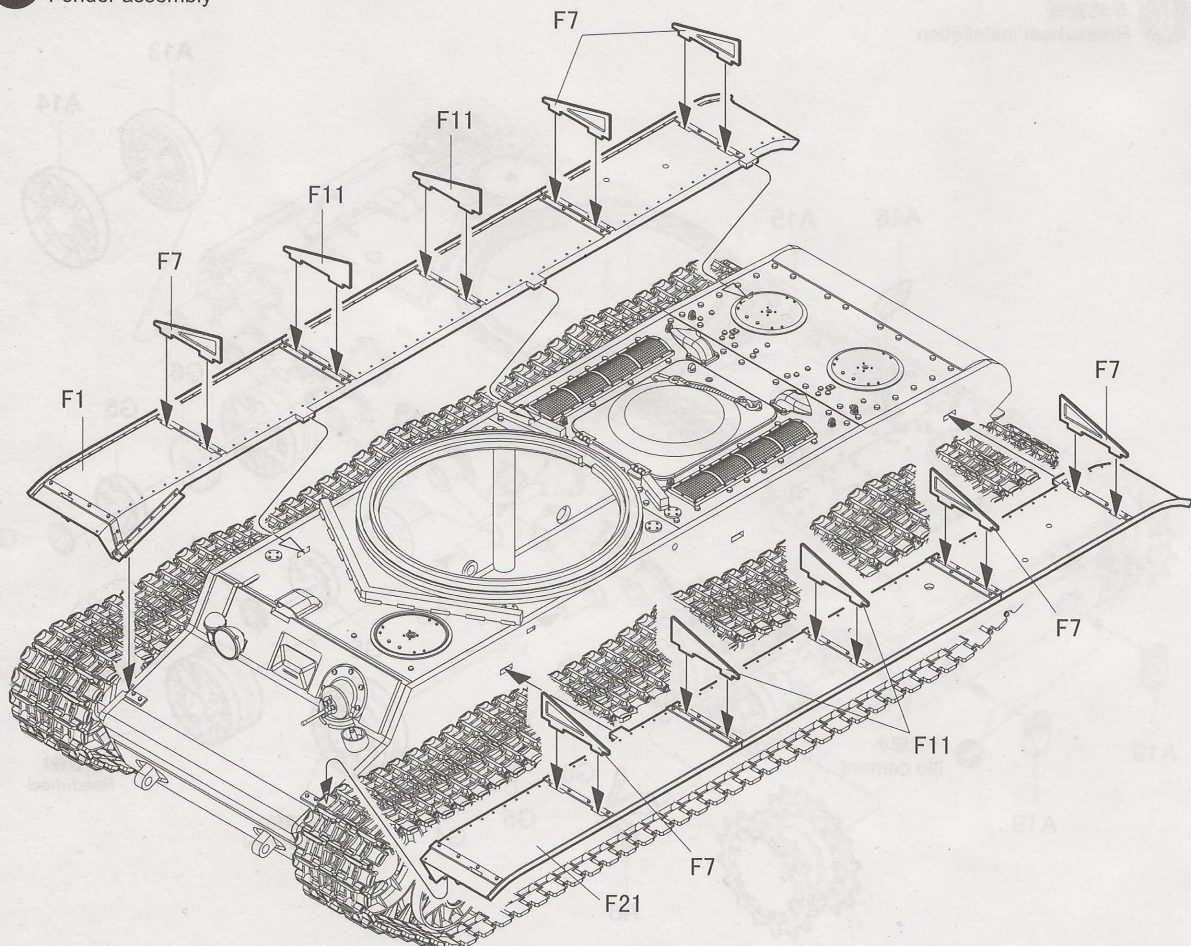
8 车轮安装
Roadwheel installation



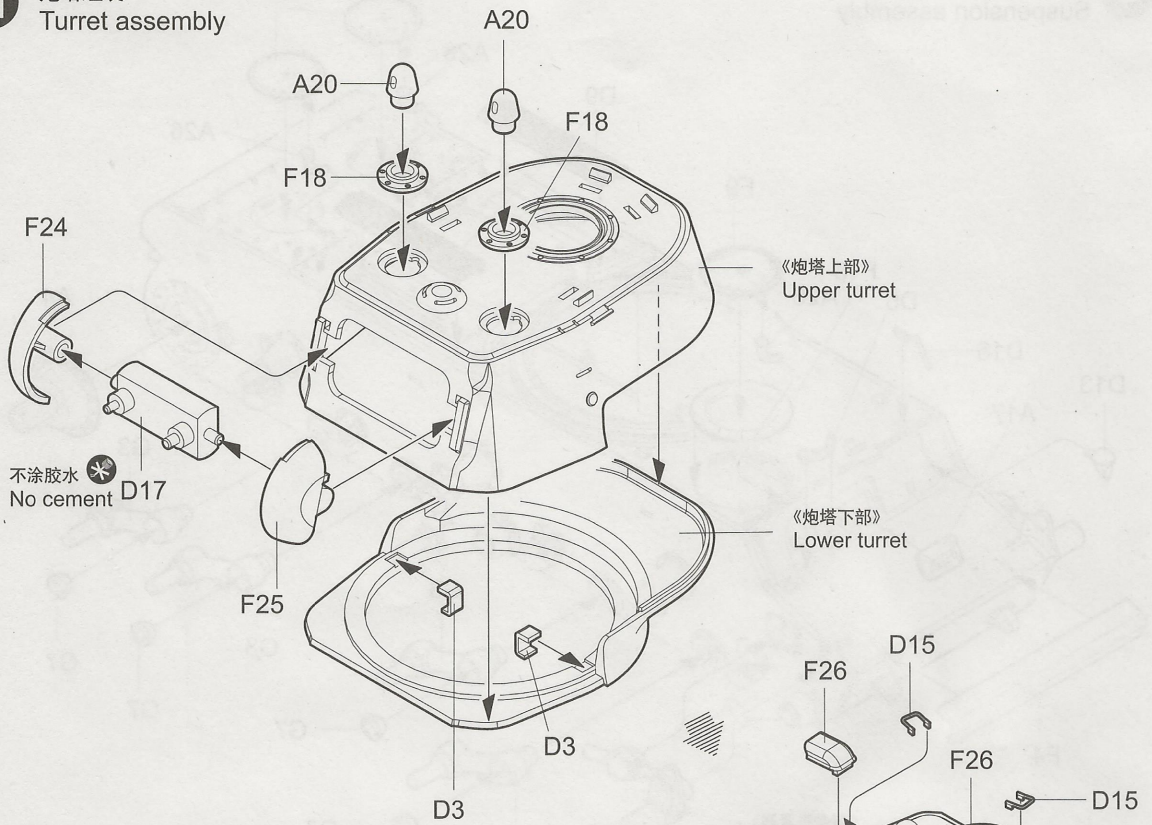
9 履带安装
Track installation



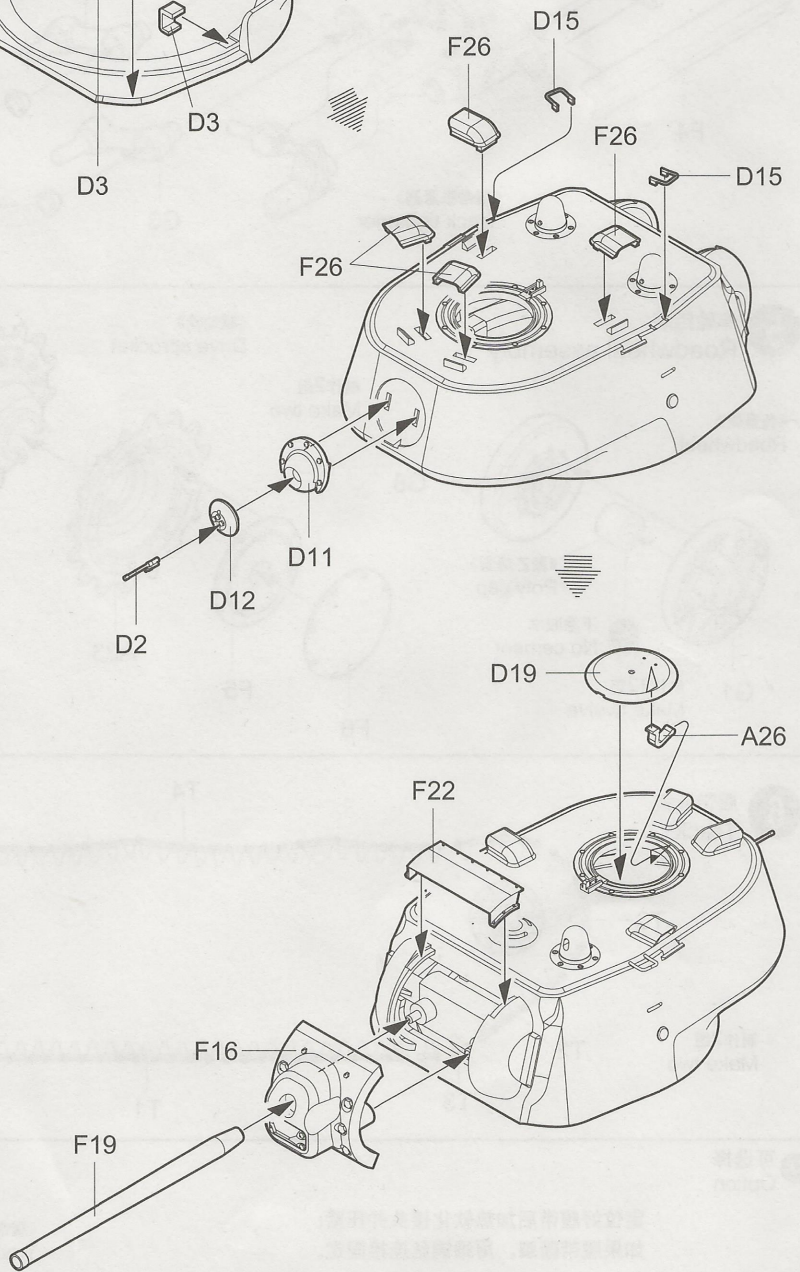
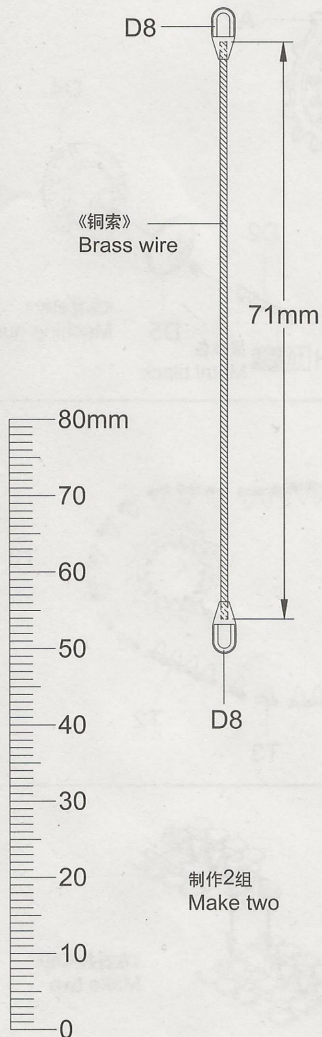
10 翼子板组装
Fender assembly



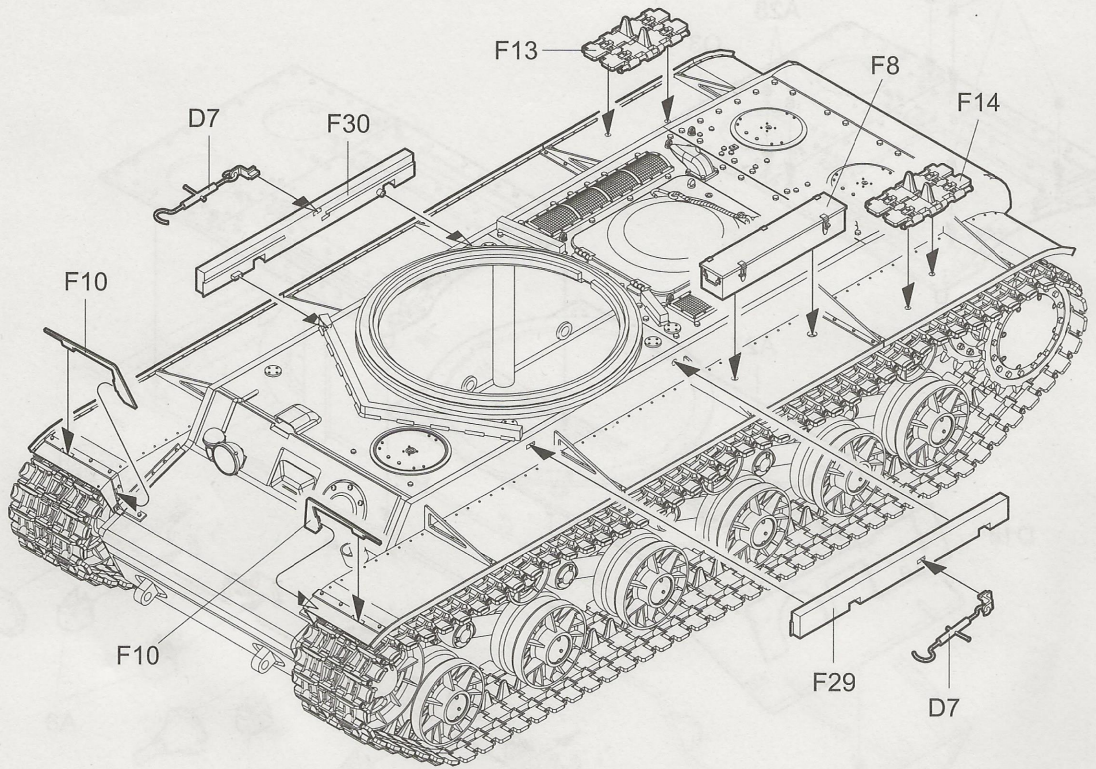
11 炮塔组装
Turret assembly



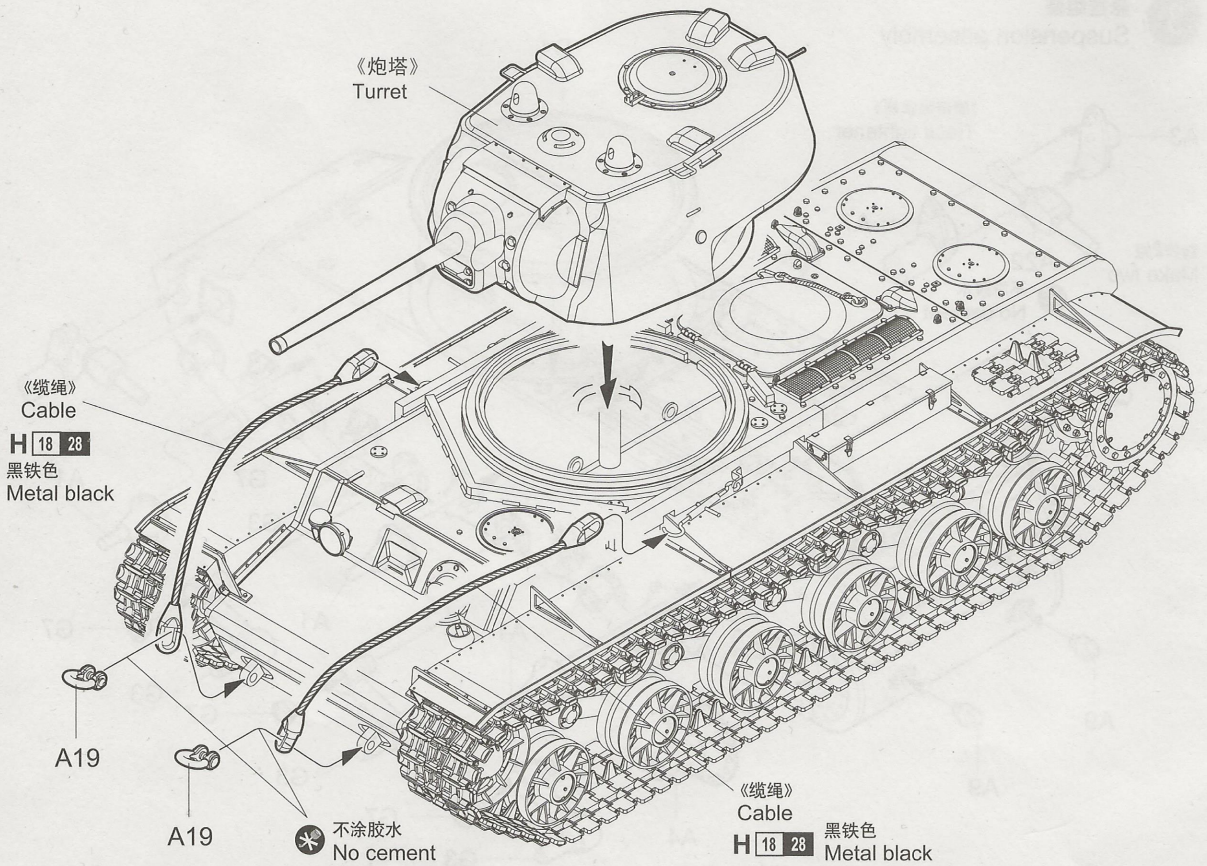
12 缆绳组装
Cable assembly



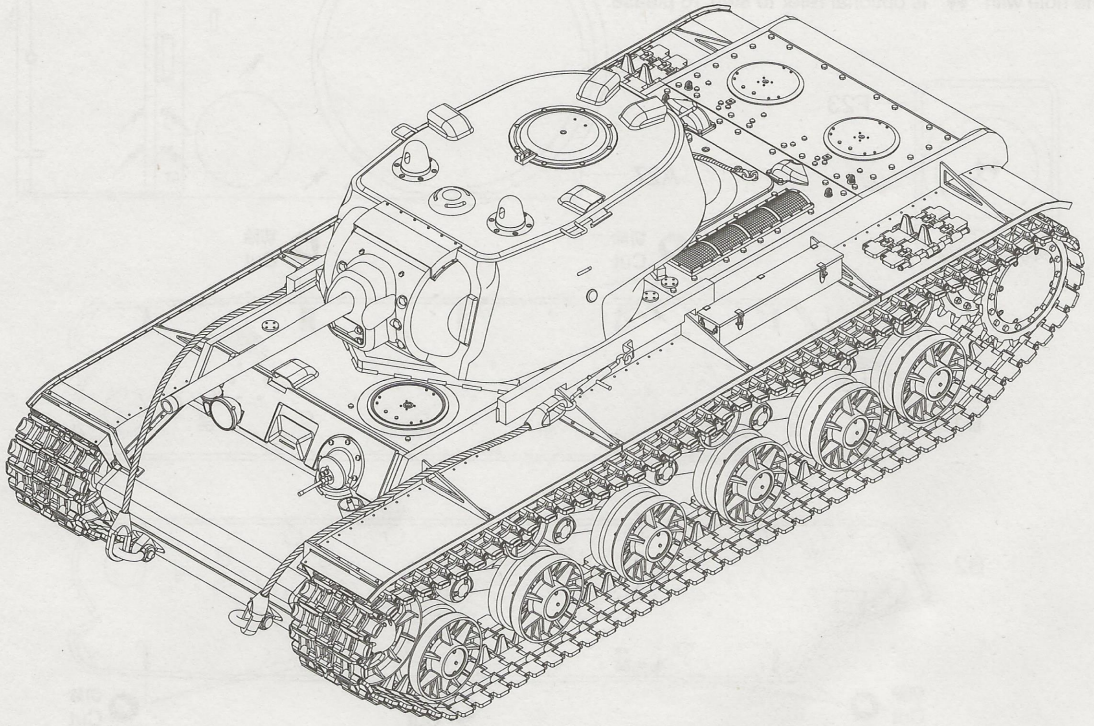
13 翼子板组装
Fender assembly



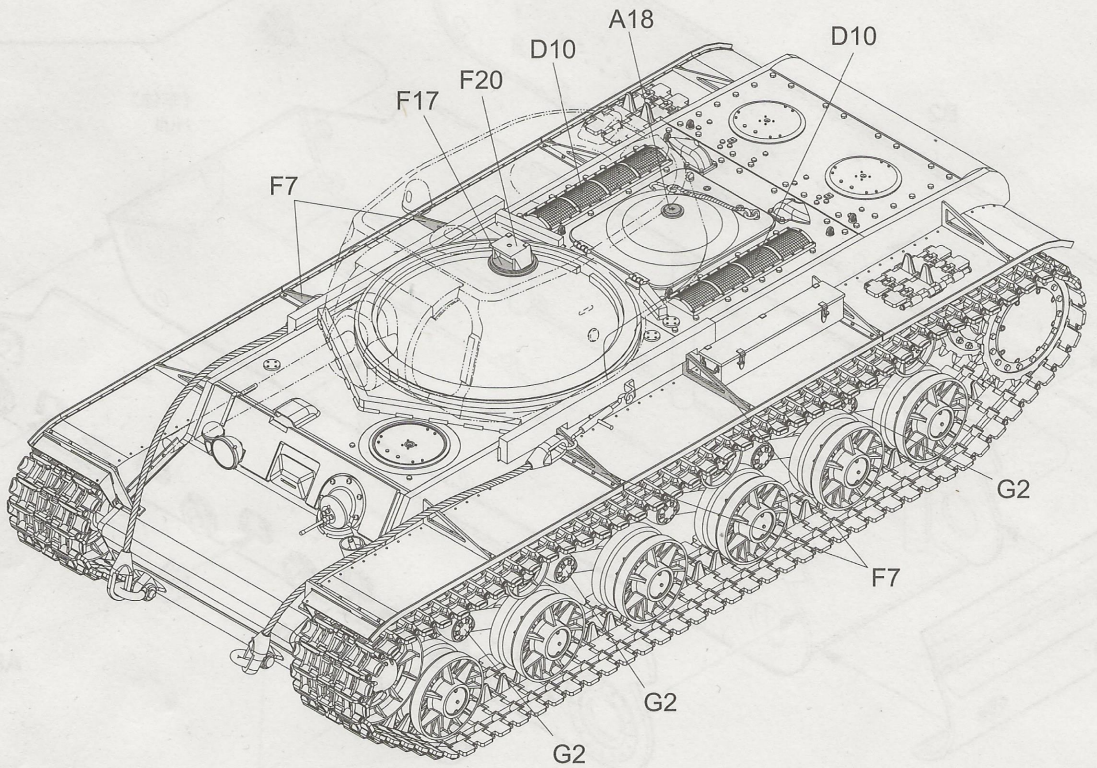
14 炮塔安装
Turret installation



15 完成
Finish



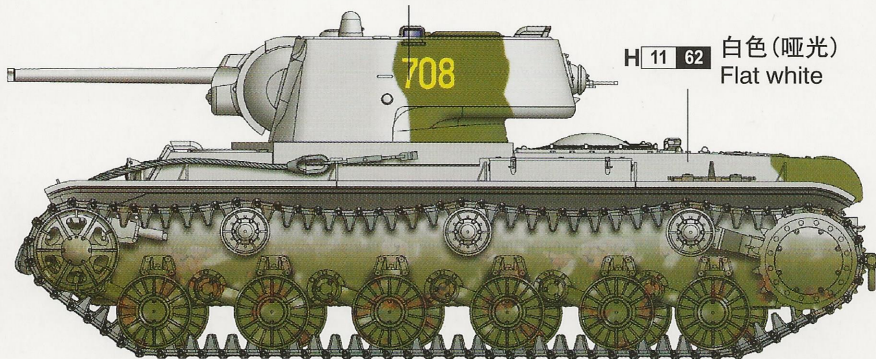
16 可选装零件示意图
We have supplied optional parts for you if you so desire.



涂装同标贴指示 Painting & Marking guide

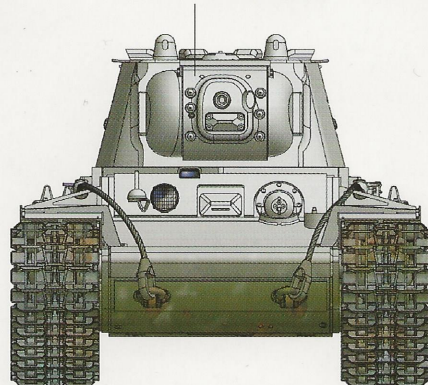
使用郡仕公司涂料:
Gunze Sangyo Mr.colors used

贴纸 5 or (1, 2, 3, 4)
Decal 5 or (1.2.3.4)

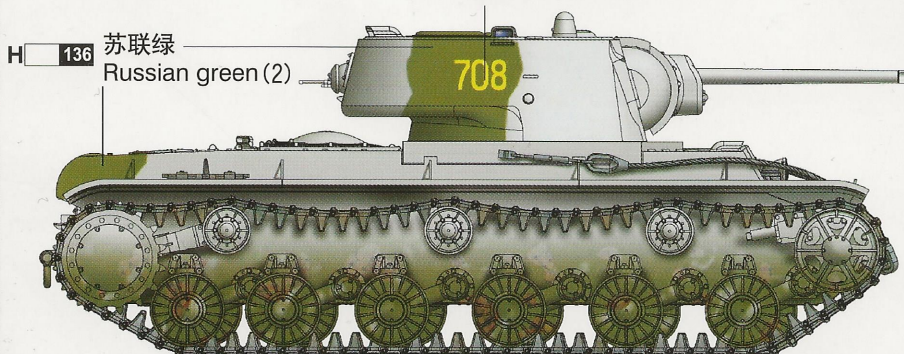


H 11 62 白色(哑光)
Flat white

H 11 62 白色(哑光)
Flat white

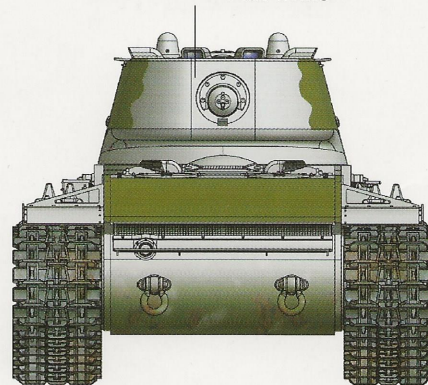


贴纸 5 or (1, 2, 3, 4)
Decal 5 or (1.2.3.4)



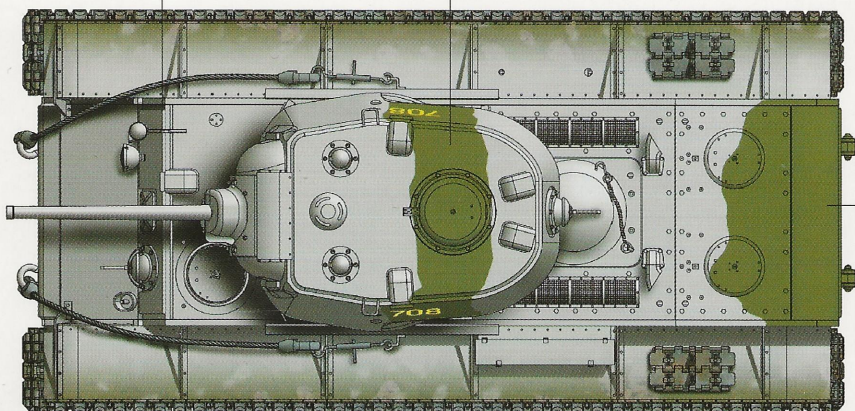
H 136 苏联绿
Russian green (2)

H 11 62 白色(哑光)
Flat white



H 11 62 白色(哑光)
Flat white

H 136 苏联绿
Russian green (2)



H 136 苏联绿
Russian green (2)