

1:35 SCALE

HQ-2 Missile on Transport trailer

中国红旗-2型地对空导弹及运输装填车



READ BEFORE ASSEMBLY

- Study and understand this instructions thoroughly before beginning assembly.
- Remove all injection pins carefully using a modeling file.
- Cut off the photo-etched parts carefully using a modeling knife. Be sure not to lose small parts.
- Apply instant cement to photo etched parts and shafts. Apply too much instant cement will cause movable parts to stick. Apply cement carefully.
- Extra care should be taken to avoid personal injury when handling the photo etched parts.
- Some parts should depend on decals. Select prior to assembly.
- Tools recommended: (Not included in this kit)
- Cement; Side cutters; Long nose pliers; Modeling knife; Modeling file; Tweezers; Pin vise; Scissors; Instant cement.
- Soft cloth and sand paper will also assist in construction.
- Glue and paints are not included in the kit. Use plastic cement or paints only.
- Keep out of reach of small children. Children must not be allowed to suck any part, or pull vinyl bag over the head.

装配之前仔细阅读

- 小心用模型锉刀锉平所有零件表面的注射浇口。
- 小心用刀片切下蚀刻片零件，不要遗失小零件。
- 用强力快干胶水粘合蚀刻片零件和金属轴。过量的快干胶水使用可能导致可动零件会粘住，小心涂胶。
- 取蚀刻片时应特别注意安全，防止利边划伤手指。
- 某些零件表面需贴上手贴纸，请选择在装配的同时进行。
- 推荐模型工具(自备)：胶水，水口剪刀，长咀钳，刀片，锉刀，镊子钳，钻，剪刀，瞬间快干胶。
- 软布同砂纸同时也应该是必备工具。
- 请使用塑料胶水和油漆。模型内不含。
- 谨防小孩吸吮塑料零件，或者将塑料袋套在头上，制作时应将套材远离小孩接触。

颜色指示 COLOR

H 2 2	黑色	Black	H 22 13	灰色	Gray
H 3 3	红色	Red	H 77 137	胎黑色	Tire black
H 8 8	银色	Silver	H 76 61	烧铁色	Burnt iron
H 11 62	消光黑	Flat black	H 91 43	透明黄	Clear yellow
H 18 28	黑铁色	Black metal	H 90 47	透明红	Clear red
H 1	铝色	Aluminium			



cyanoacrylate glue
使用强力胶



weight
配重



make hole
钻孔



cut / remove
切除



bend
弯曲



file / sand
锉平



option
选择



no cement
不涂胶水



decal
贴纸

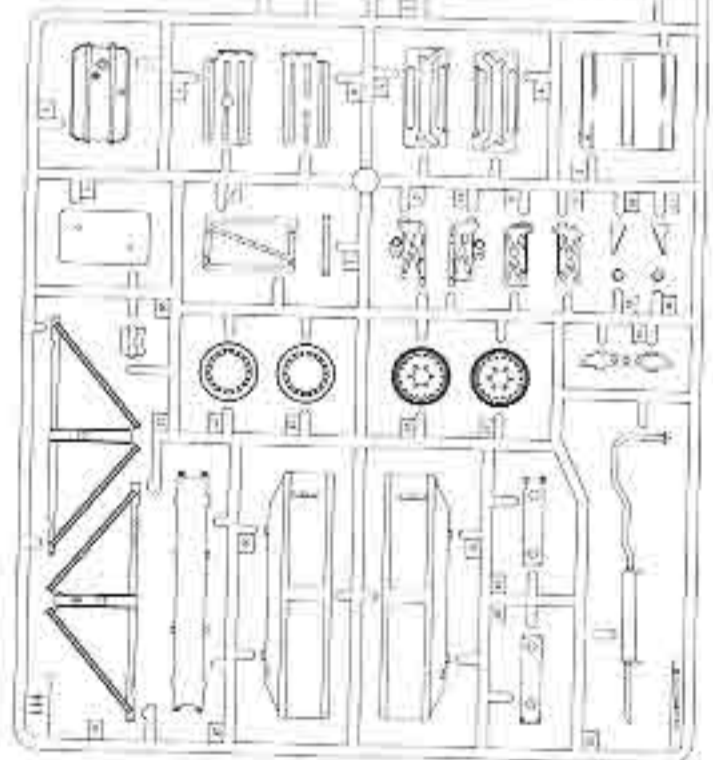
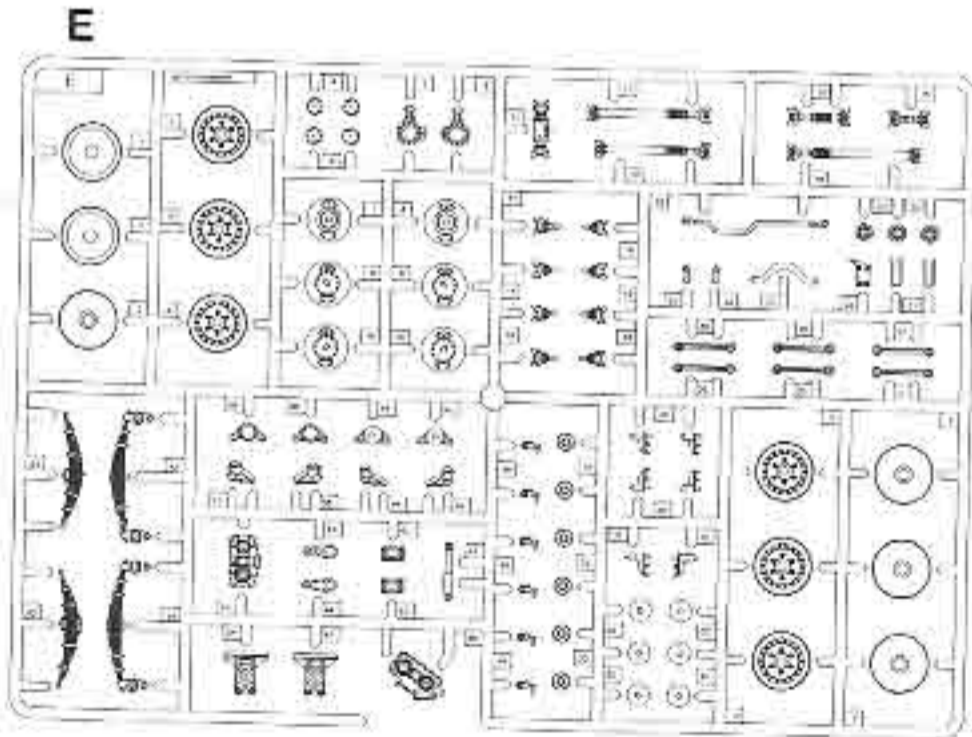
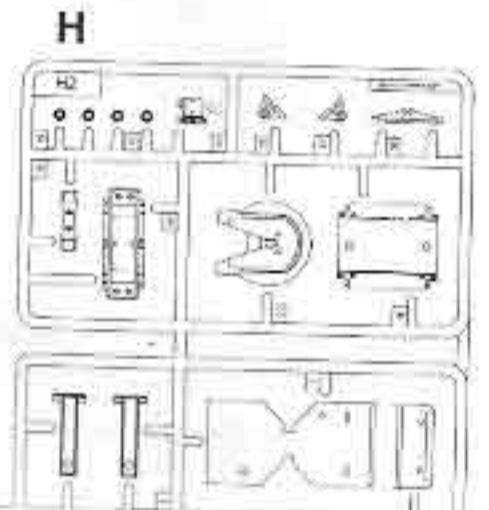
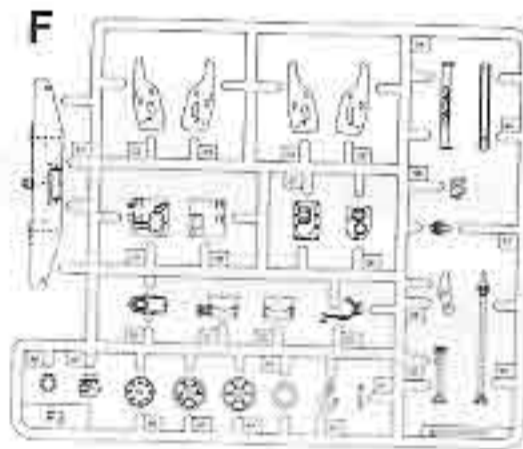
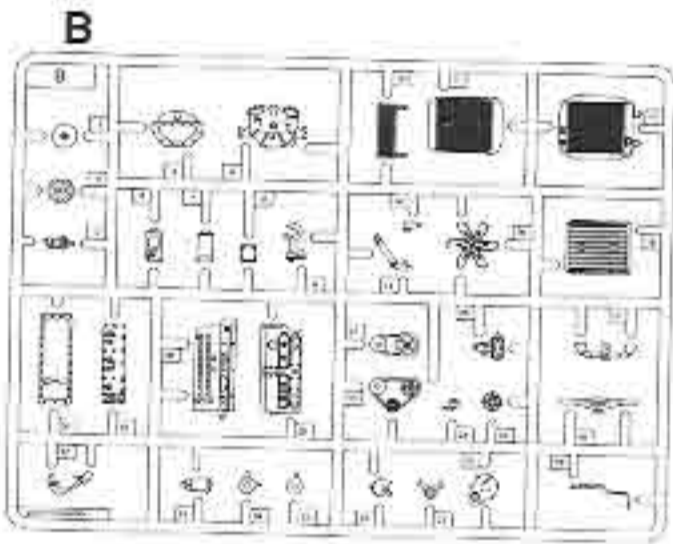
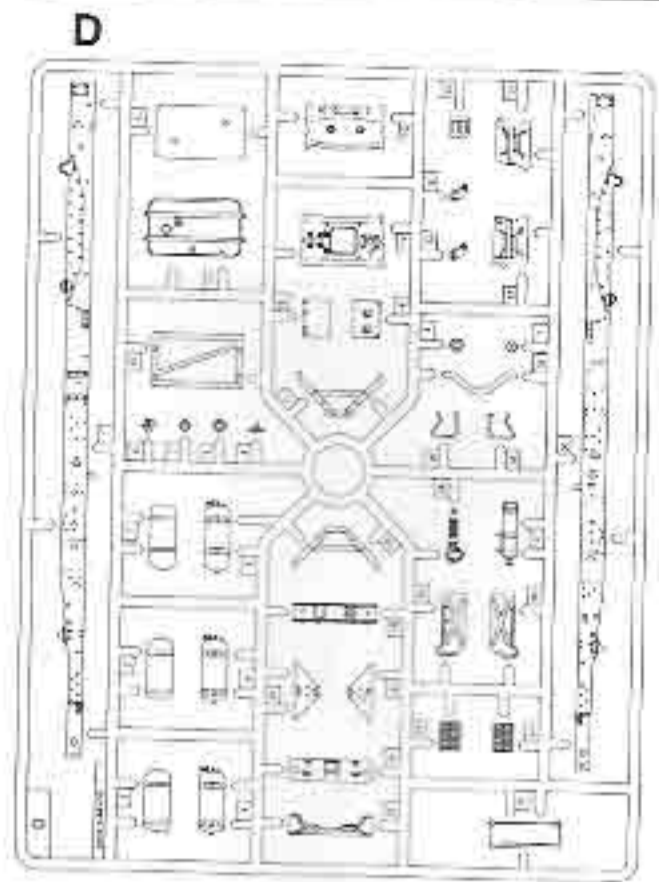
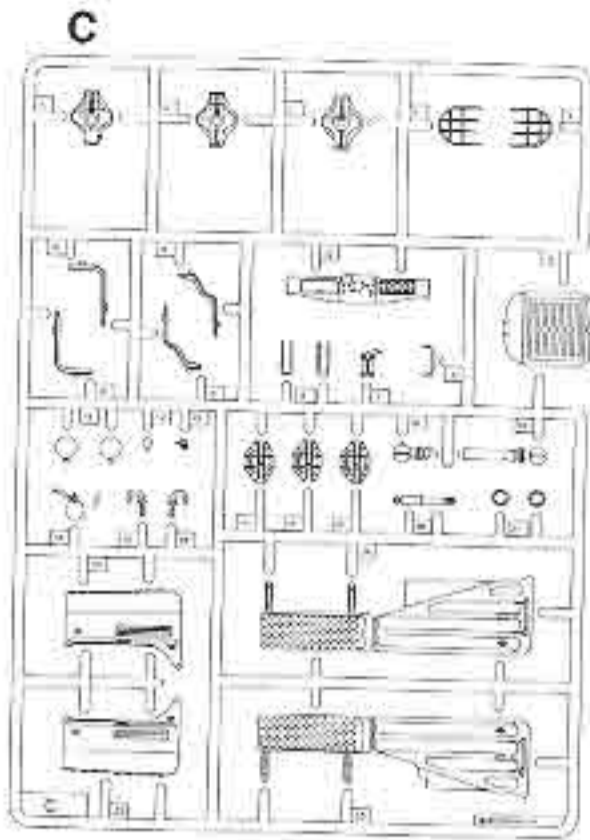
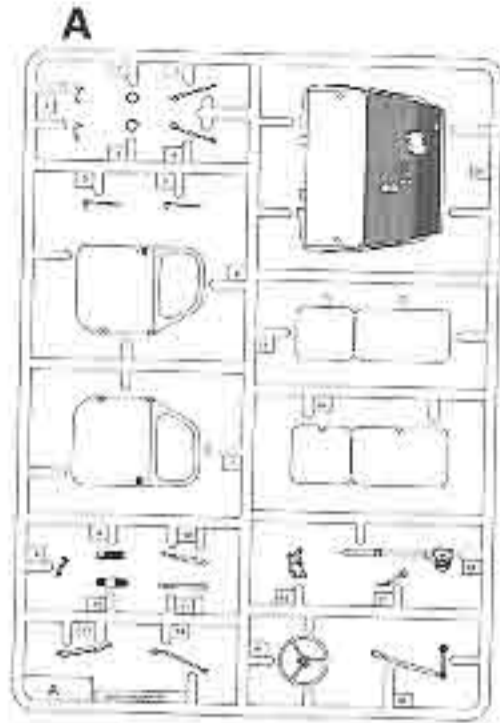
水贴纸的使用:

1. 从水贴纸上剪下印花;
2. 将印花放入温水中浸10秒，然后放在干净布上。
3. 拿着印花纸板将印花移到模型上;
4. 手指蘸水将印花移到适当的位置;
5. 用软布轻压印花直至水干，气泡消失。

DECAL APPLICATION

1. Cut off decal from sheet.
2. Dip the decal in tepid water 40° C for about 10 sec. and place on a clean cloth.
3. Hold the backing sheet edge and slide decal onto the model.
4. Move decal into position by wetting decal with finger.
5. Press decal gently down with a soft cloth until excess water and air bubbles are gone.

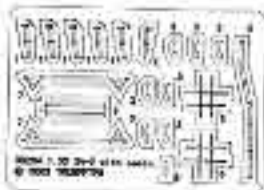
部品图 Parts



驾驶室
Cab



蚀刻片
Photo etched part (PE)



轮胎 × 6
Tyre × 6



拖车轮胎 × 2
Trailer tyre × 2



铜丝 $\phi 0.8$
Brass wire $\phi 0.8$

铜丝 $\phi 0.5$
Brass wire $\phi 0.5$

弹簧管(粗)
Spring tube
(thick)

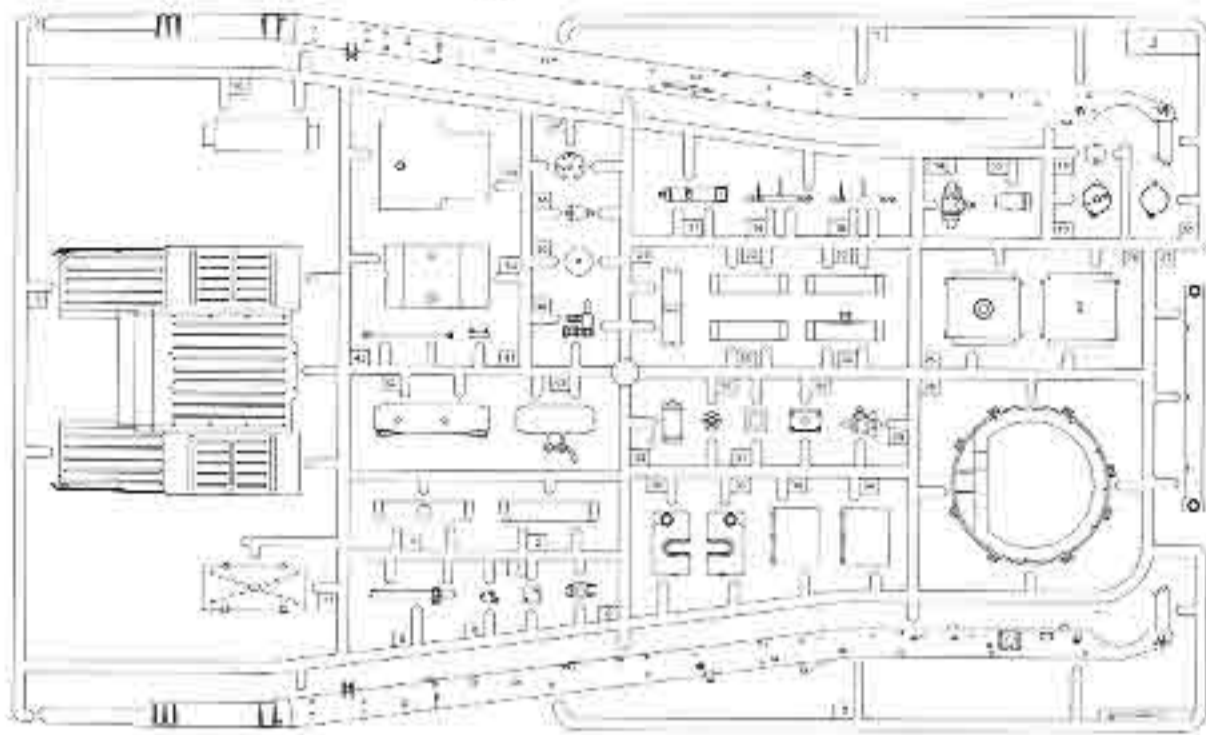
弹簧管(细)
Spring tube
(thin)

棉线
Rope

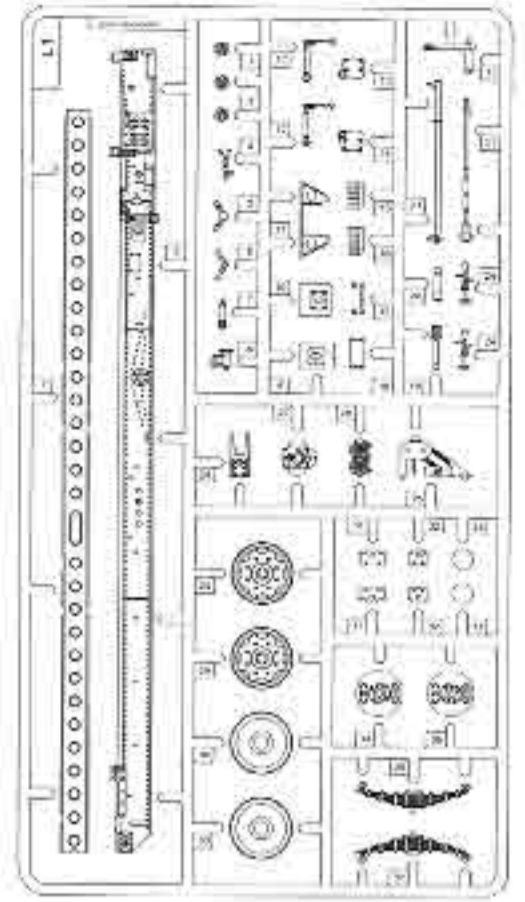
贴纸
Decal

部品图 Parts

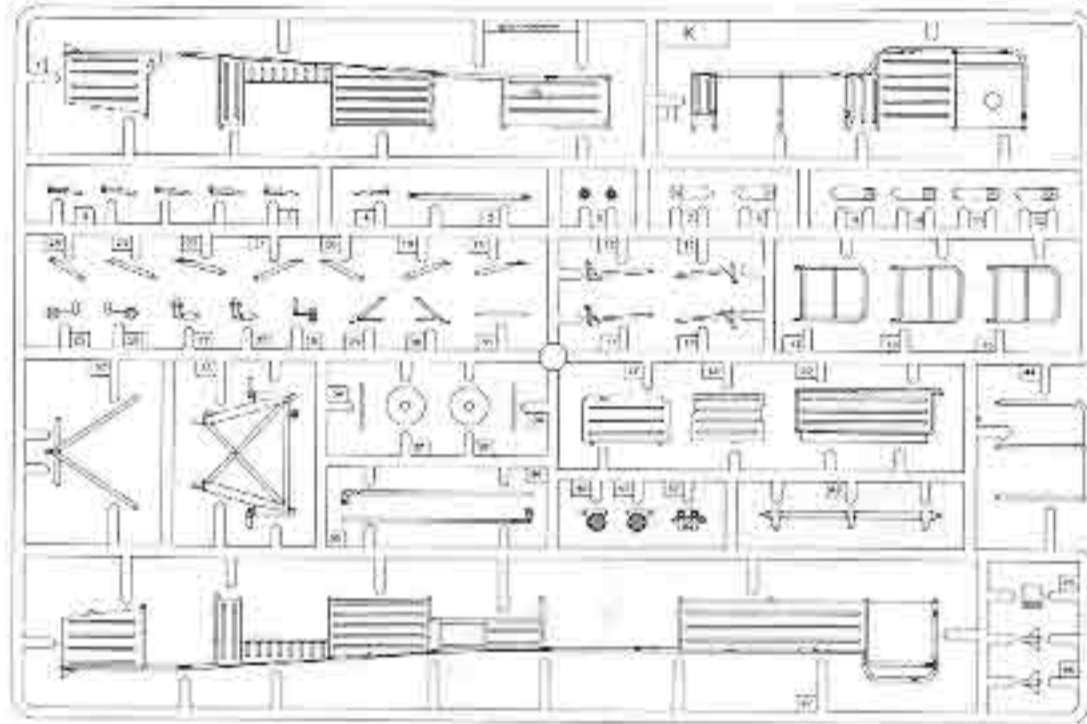
J



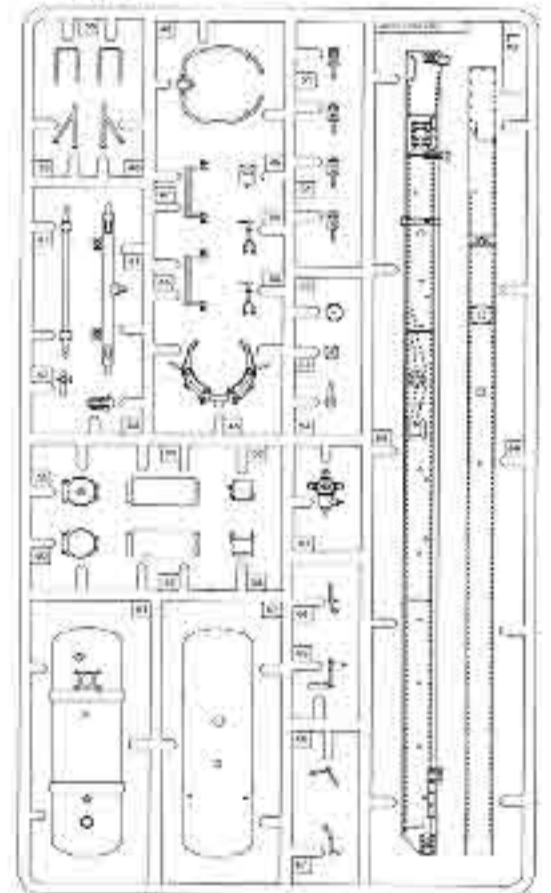
L1



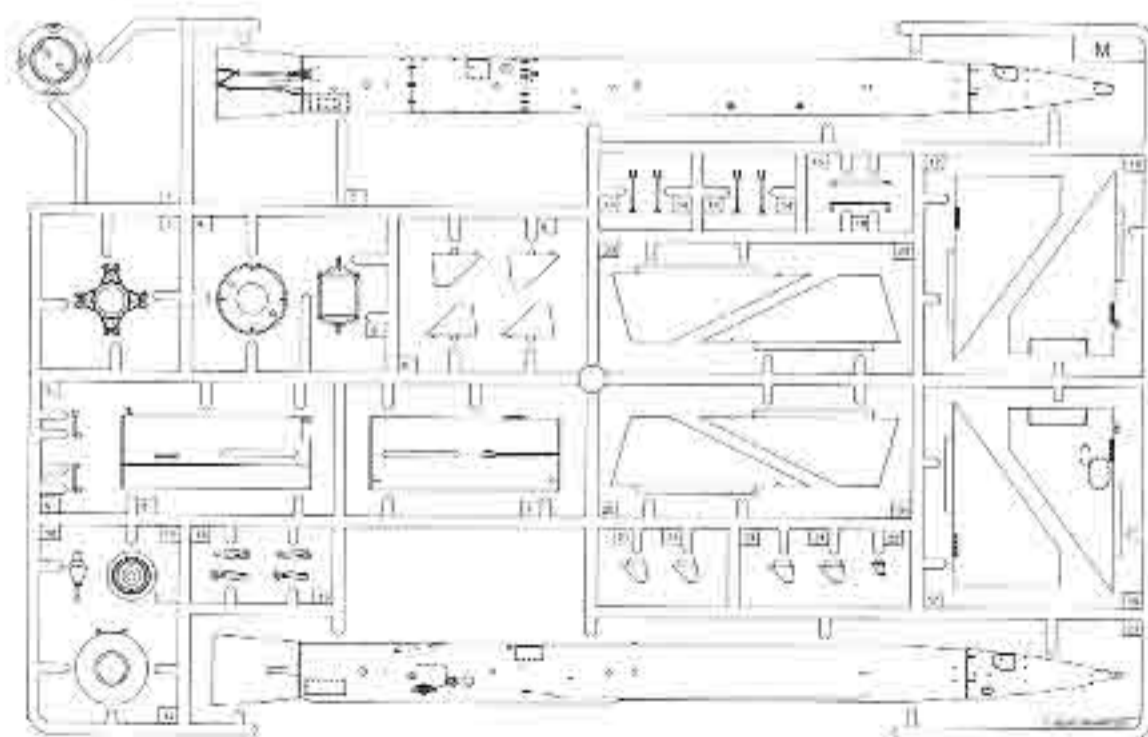
K



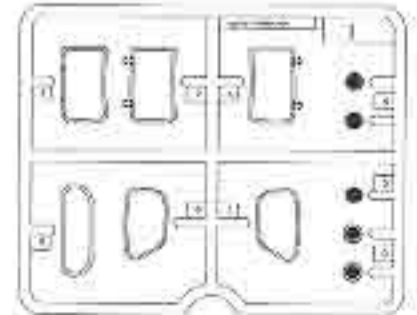
L2



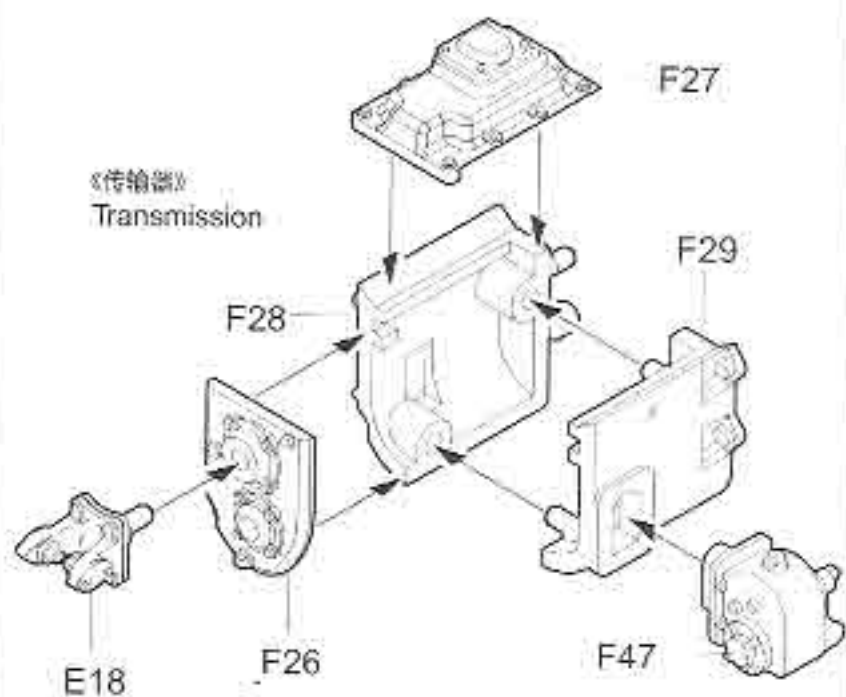
M



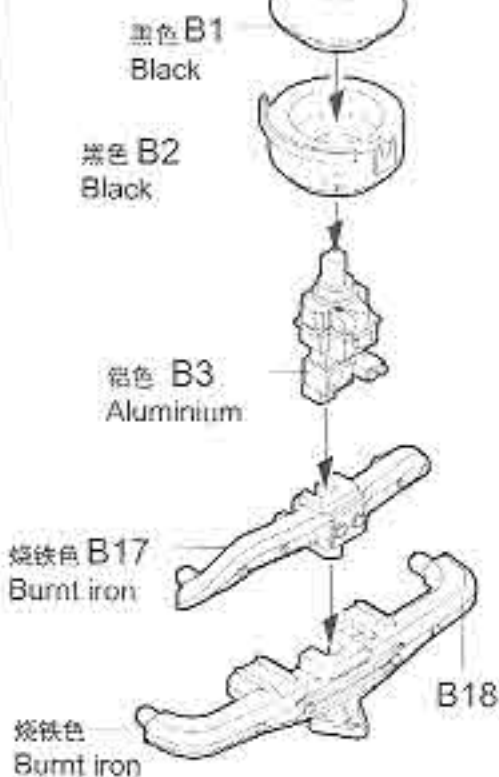
L



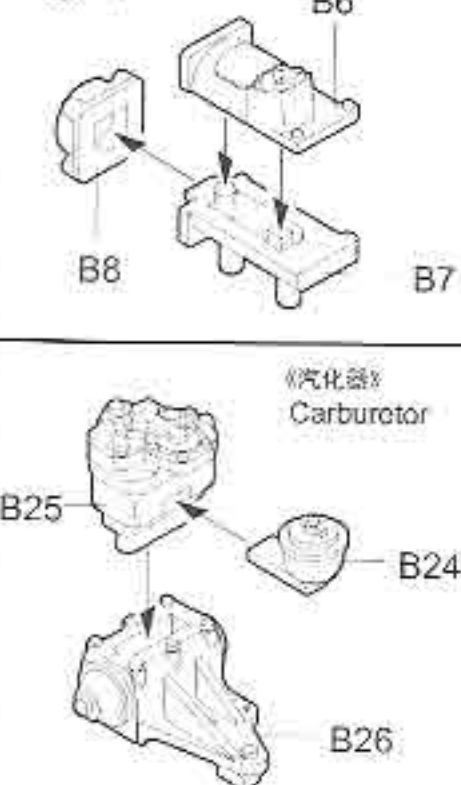
1 发动机零件组装
Engine parts assembly



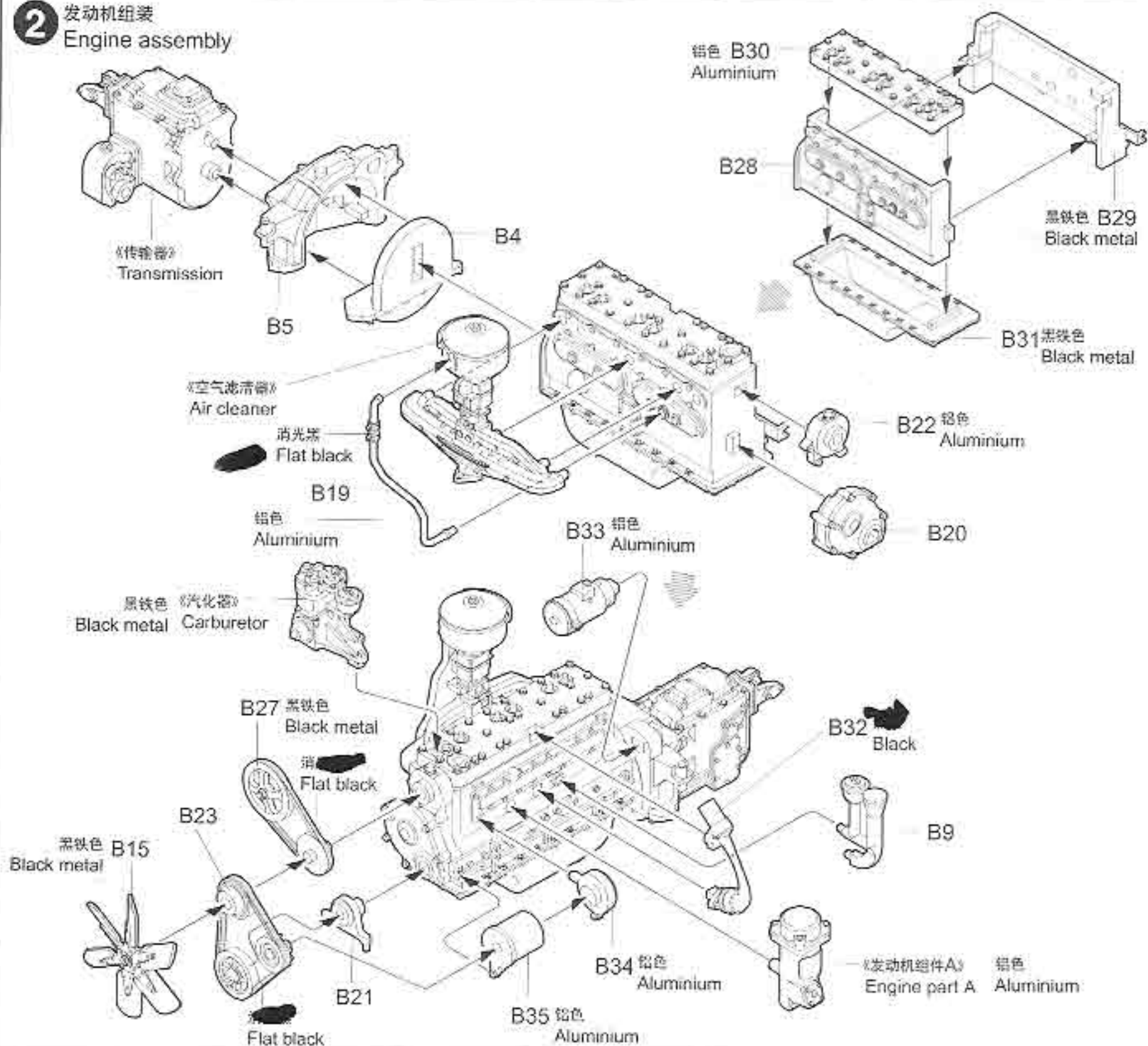
《空气滤清器》
Air cleaner



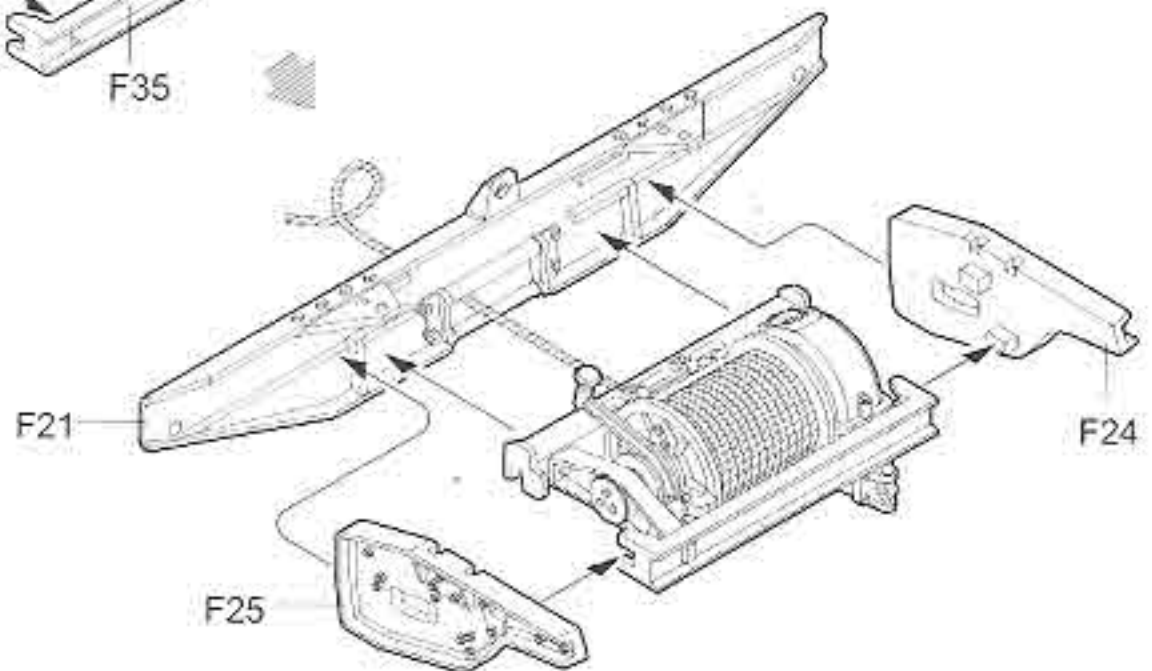
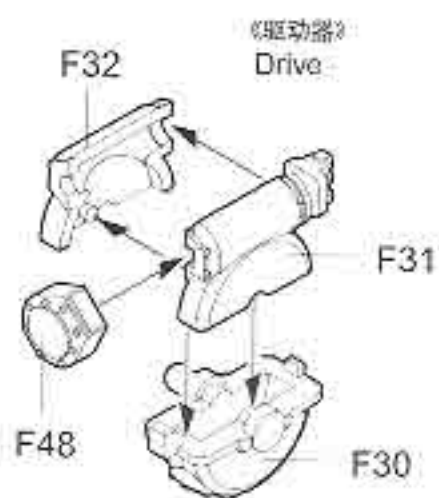
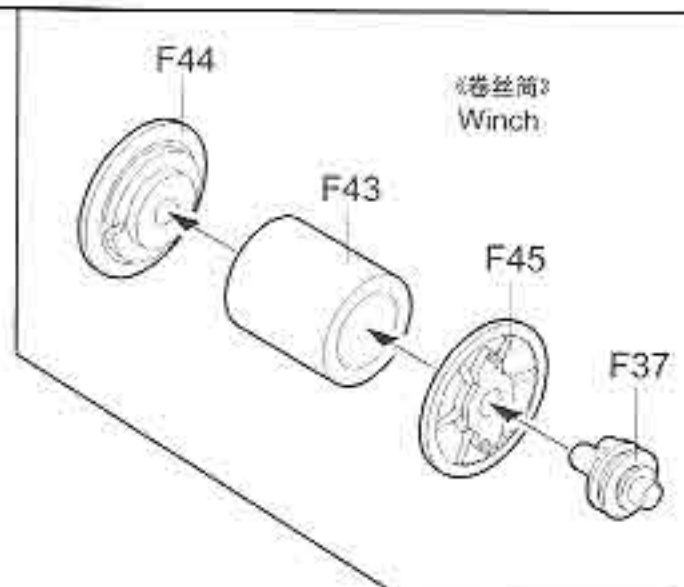
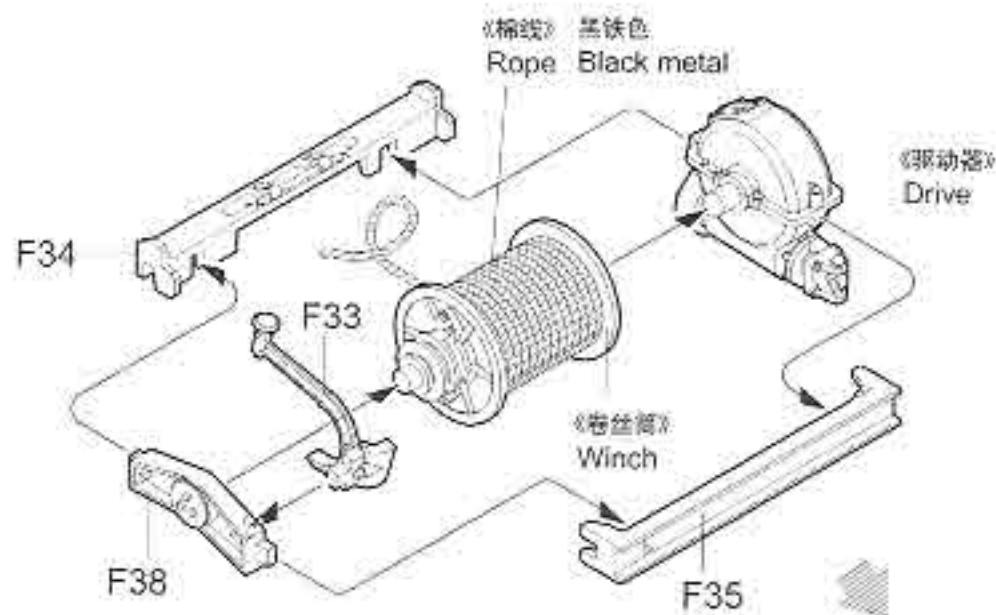
《发动机组件A》
Engine part A



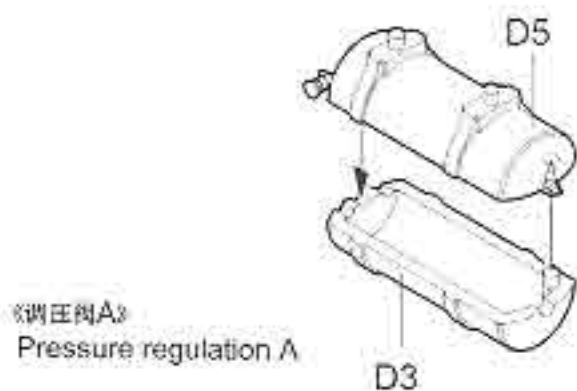
2 发动机组装
Engine assembly



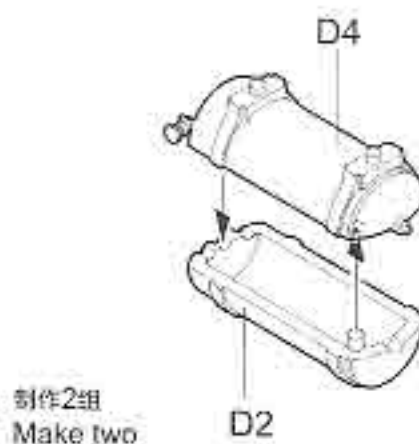
3 绞索机组装
Cable hoist assembly



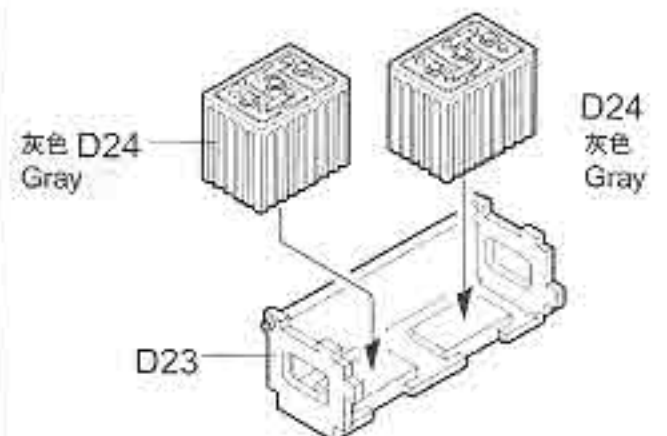
4 车架零件组装
Frame parts assembly



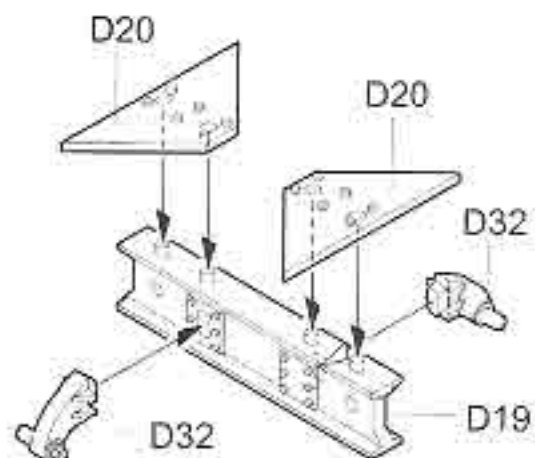
«调压阀B»
Pressure regulation B



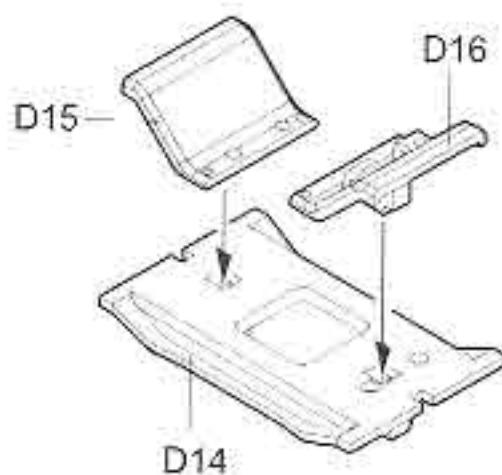
«蓄电池»
Accumulator



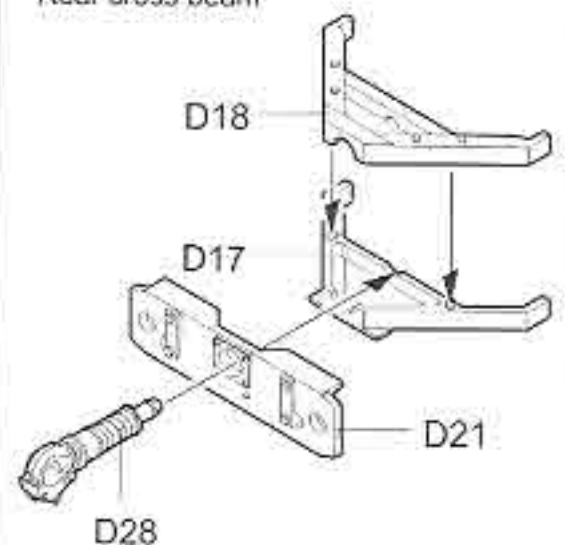
«横梁A»
Cross beam A



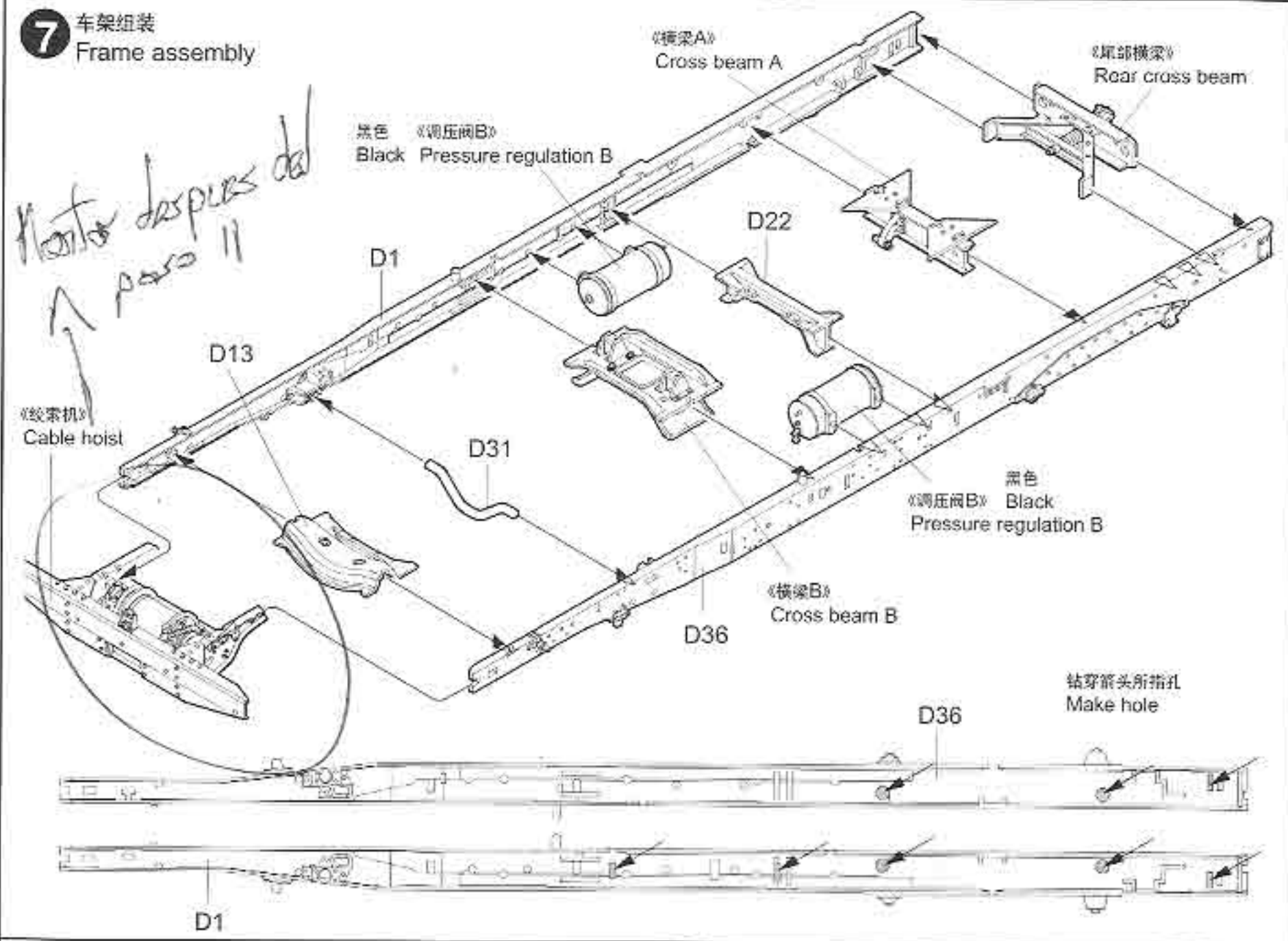
«横梁B»
Cross beam B



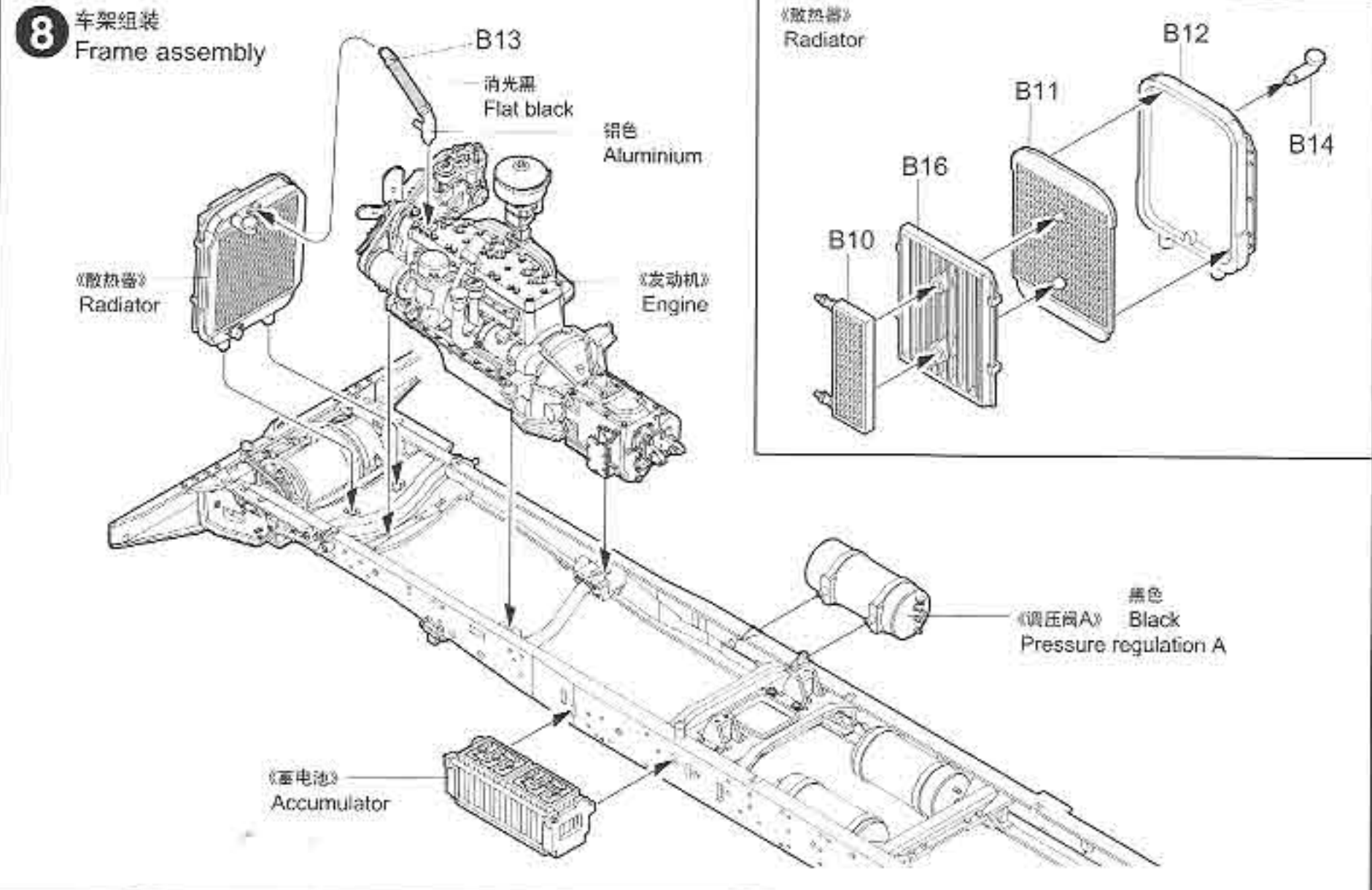
«尾部横梁»
Rear cross beam



7 车架组装
Frame assembly

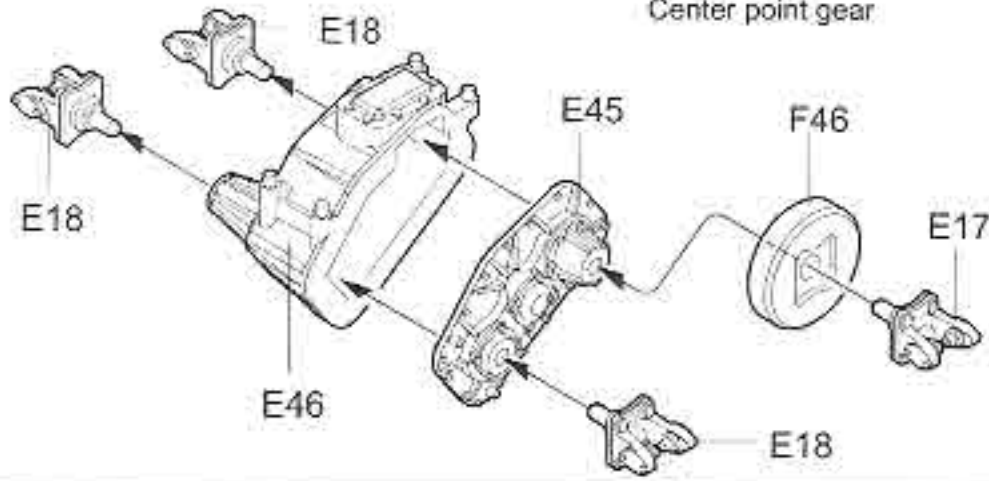


8 车架组装
Frame assembly

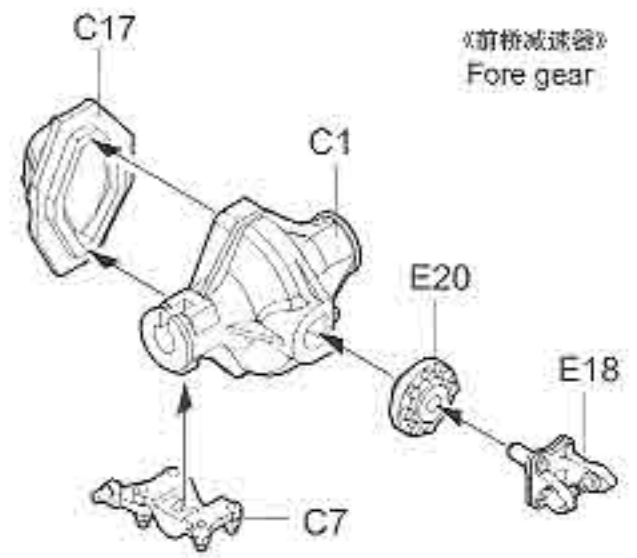


7 前桥零件组装
Front axle part assembly

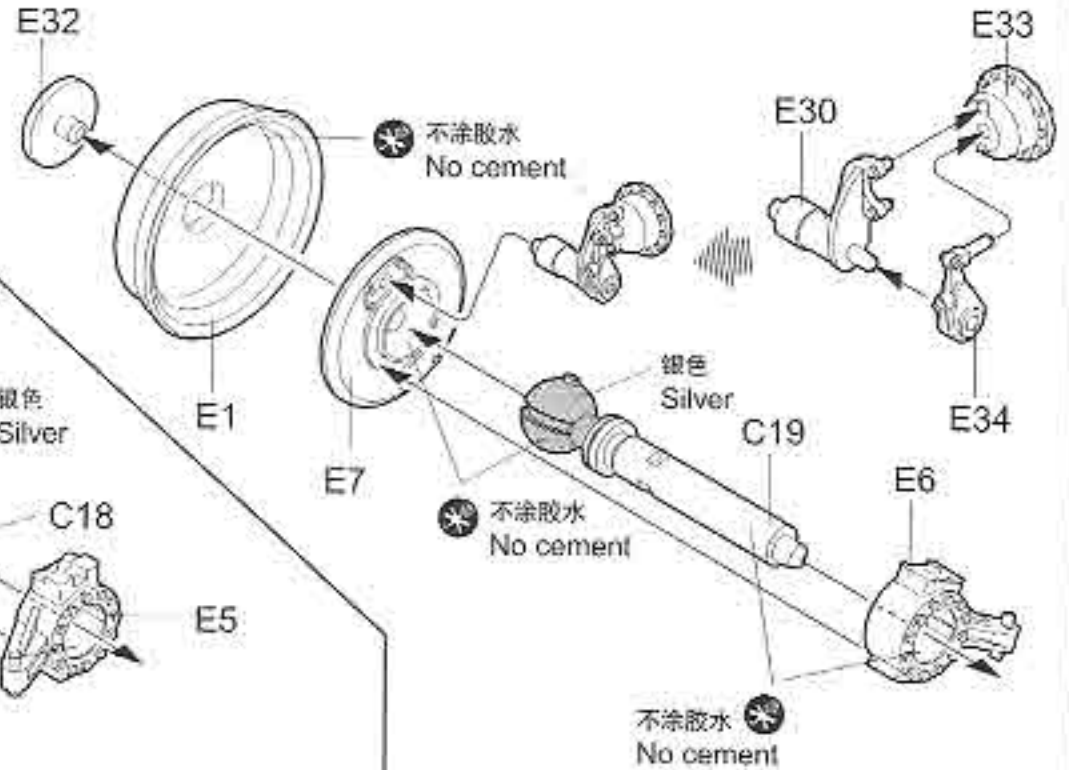
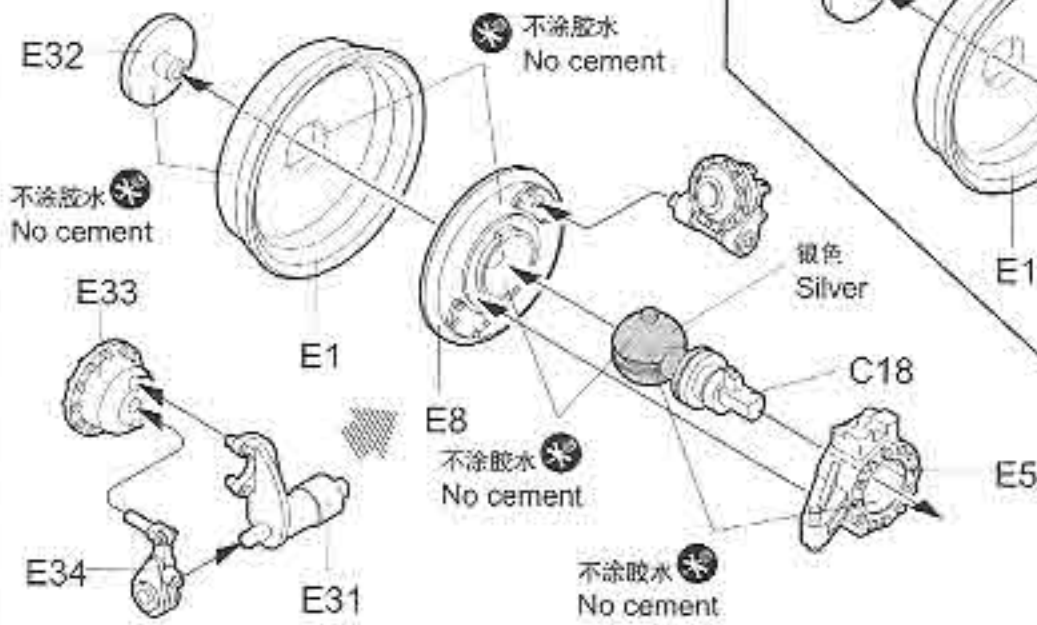
《中桥过桥齿箱》
Center point gear



《前桥减速器》
Fore gear

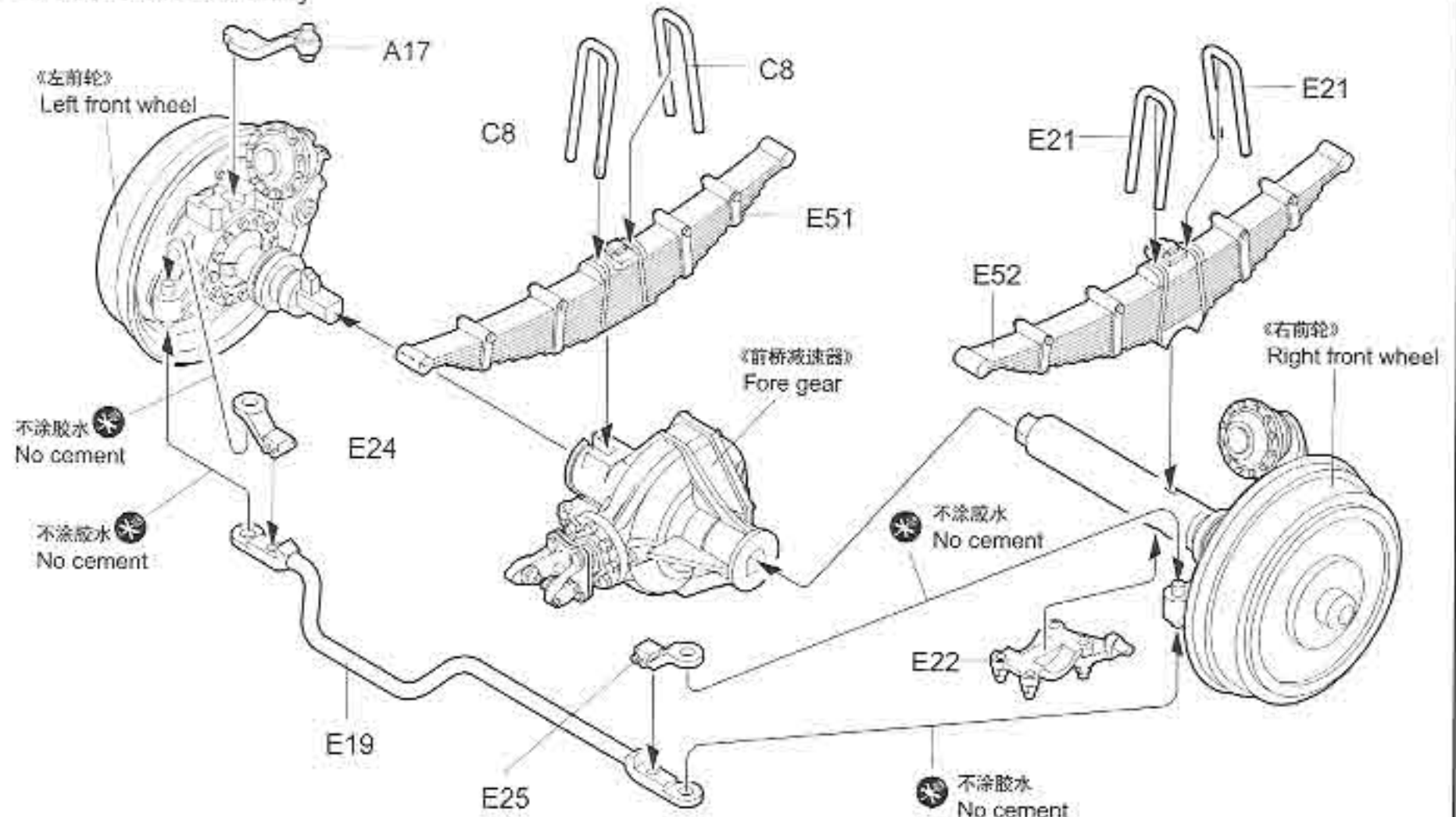


《左前轮》
Left front wheel



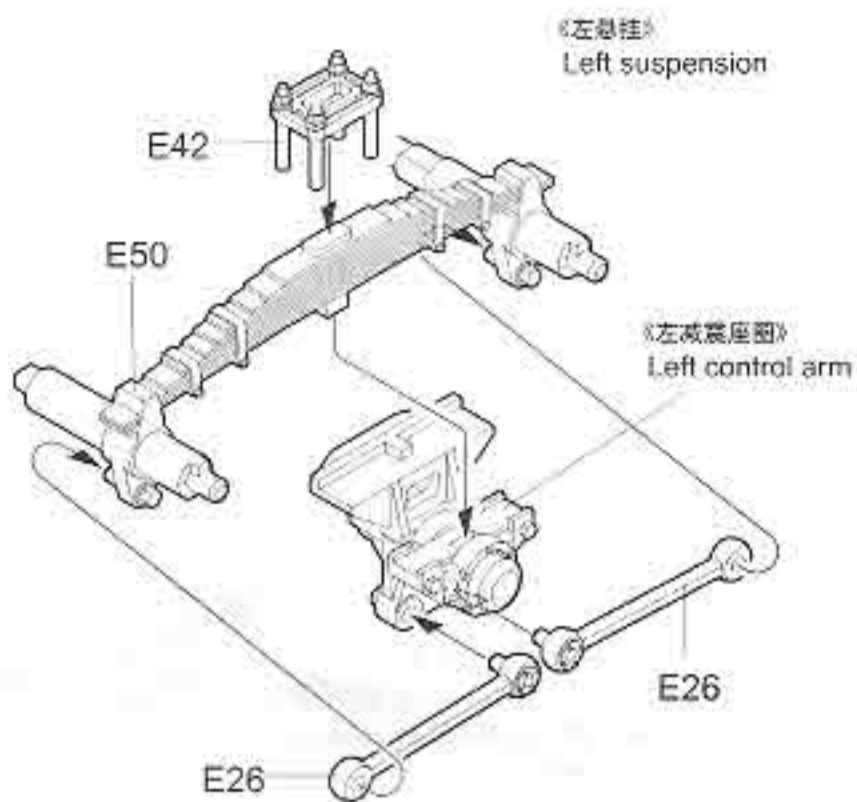
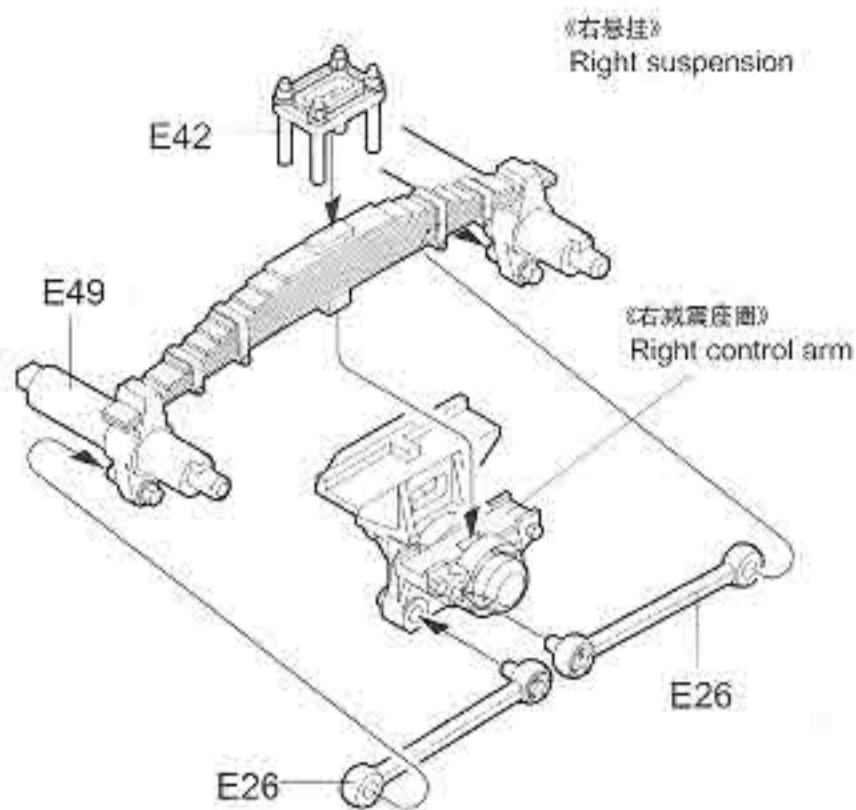
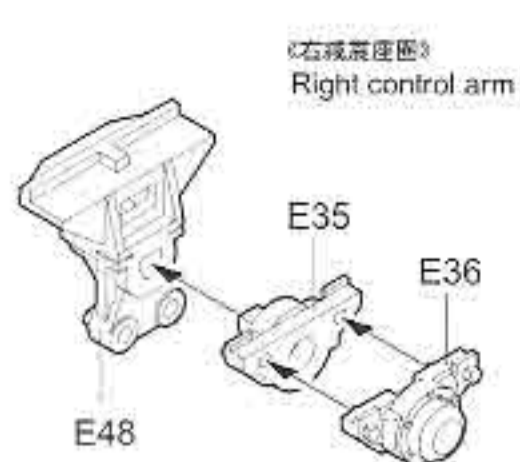
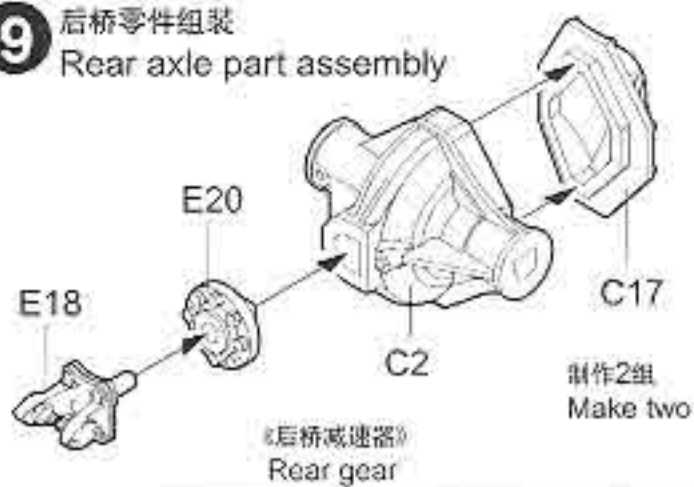
8 前桥组装
Front axle assembly

《左前轮》
Left front wheel

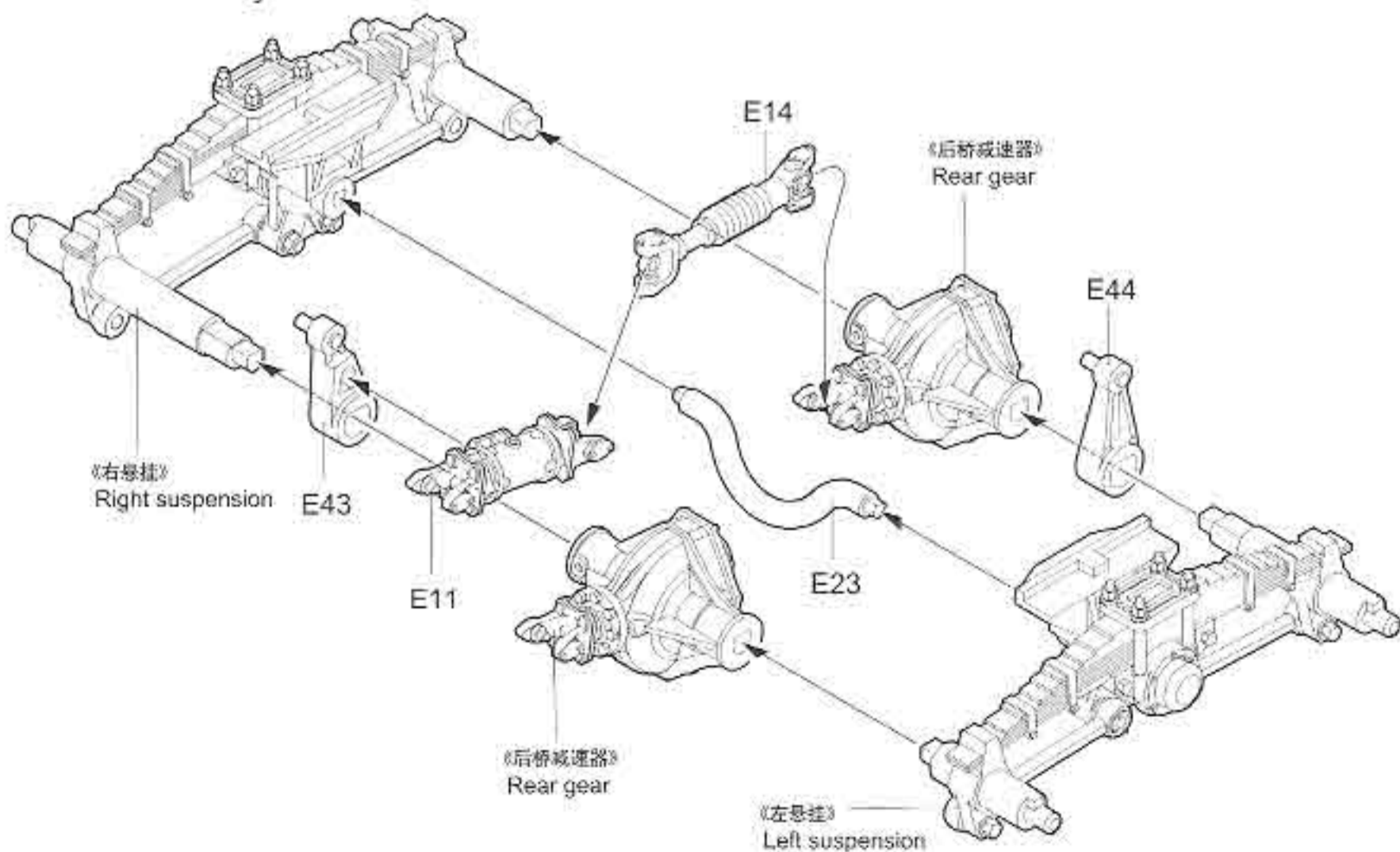


《右前轮》
Right front wheel

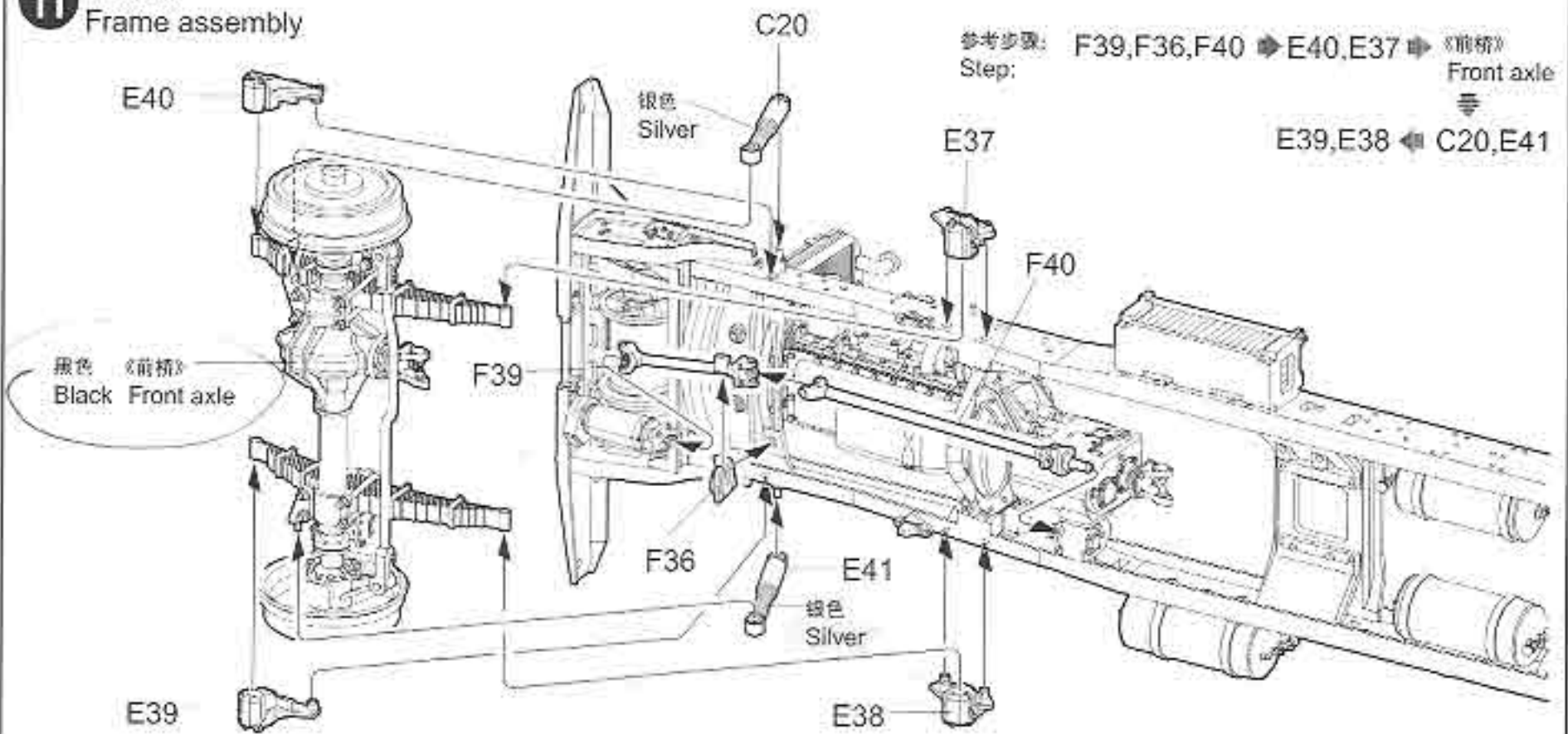
9 后桥零件组装
Rear axle part assembly



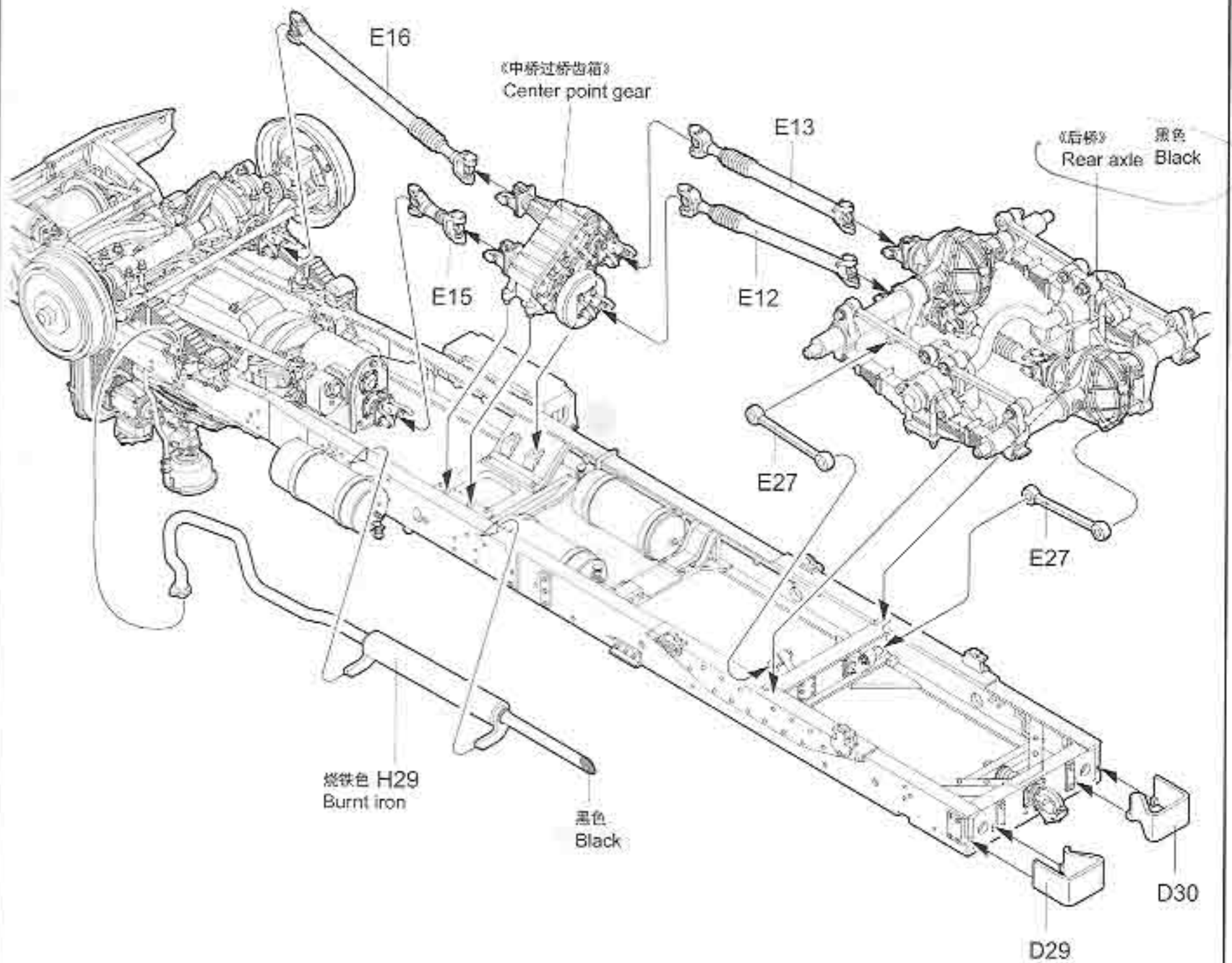
10 后桥组装
Rear axlet assembly



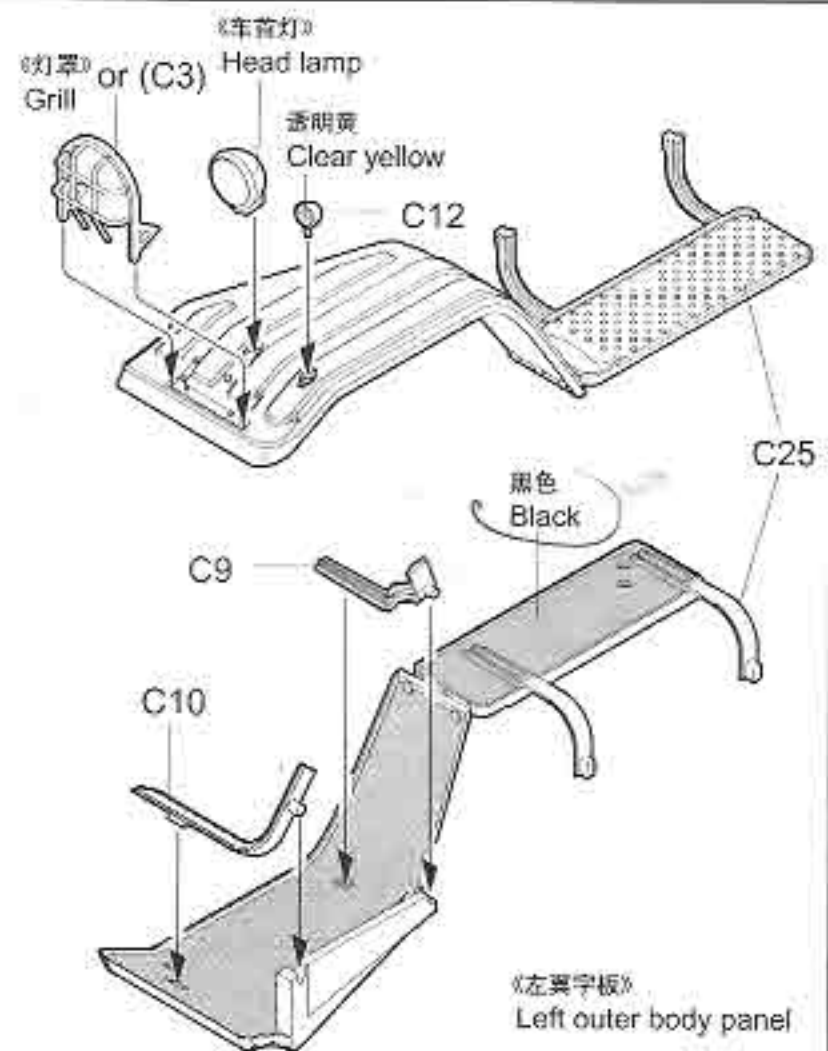
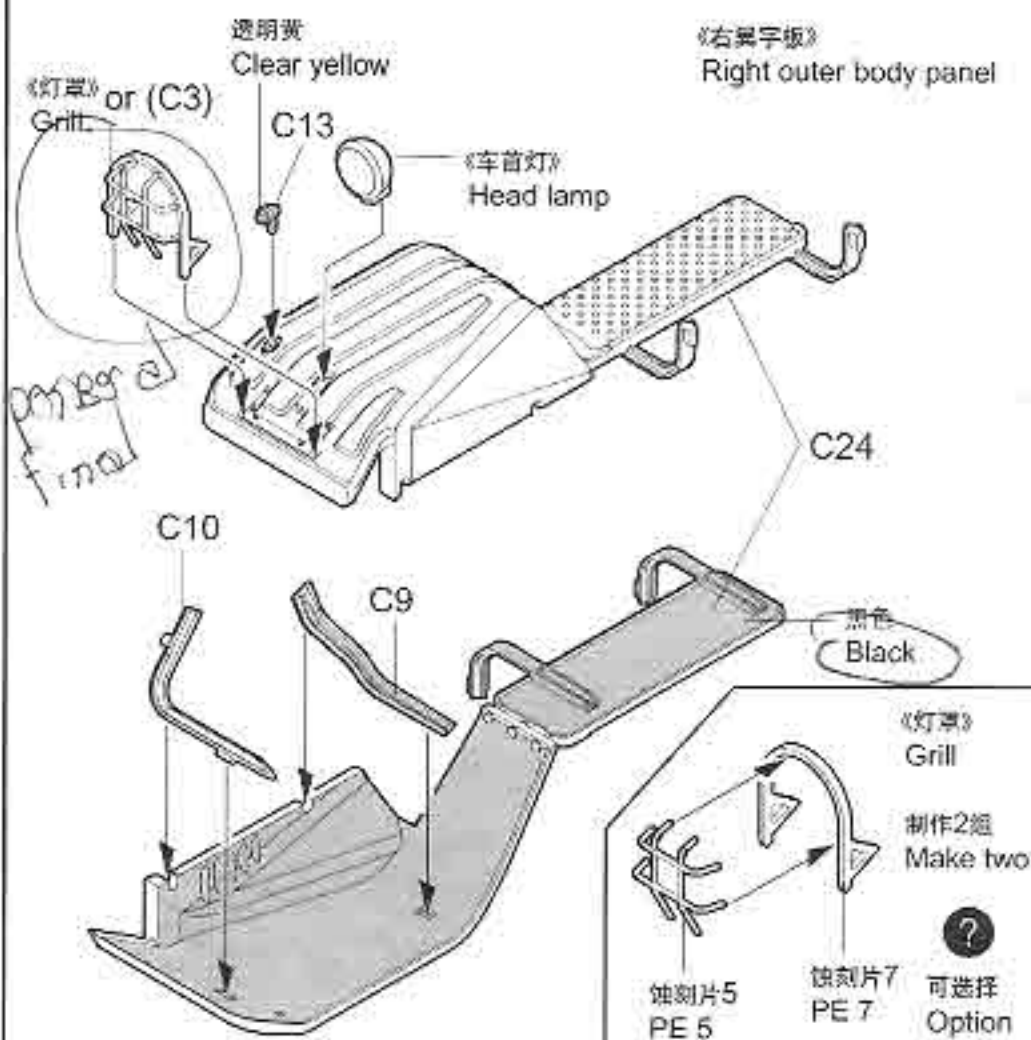
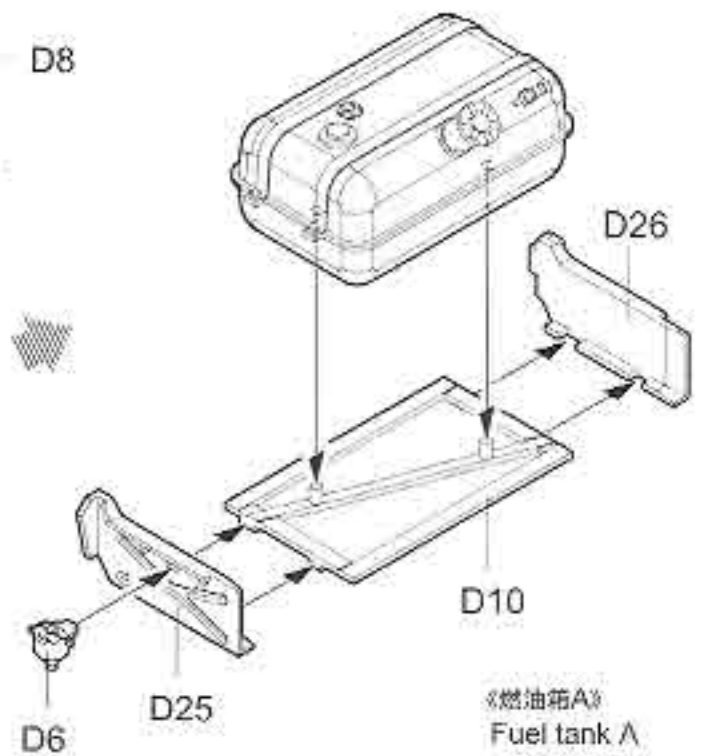
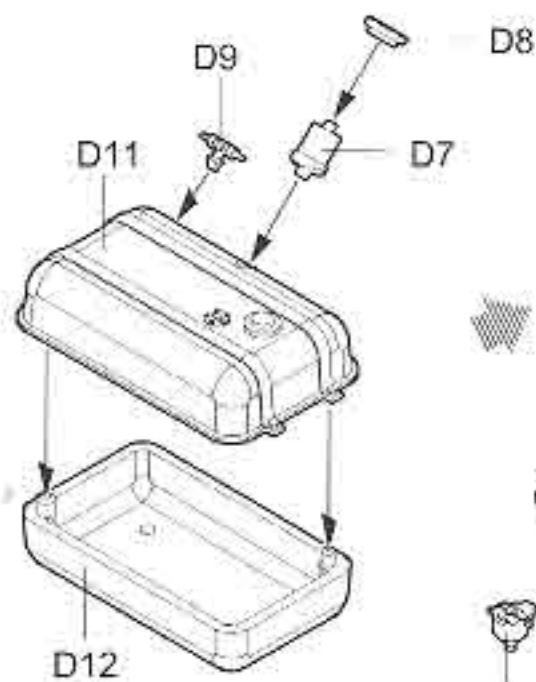
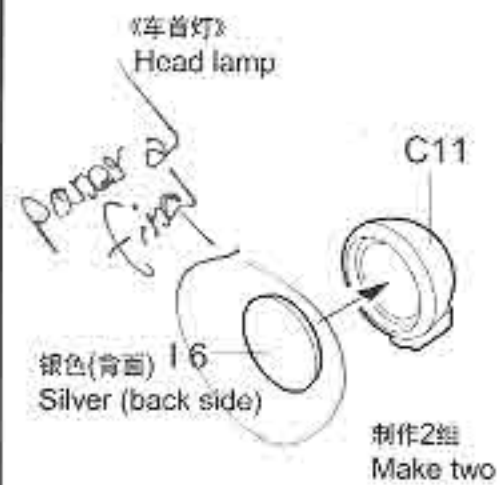
11 车架组装
Frame assembly



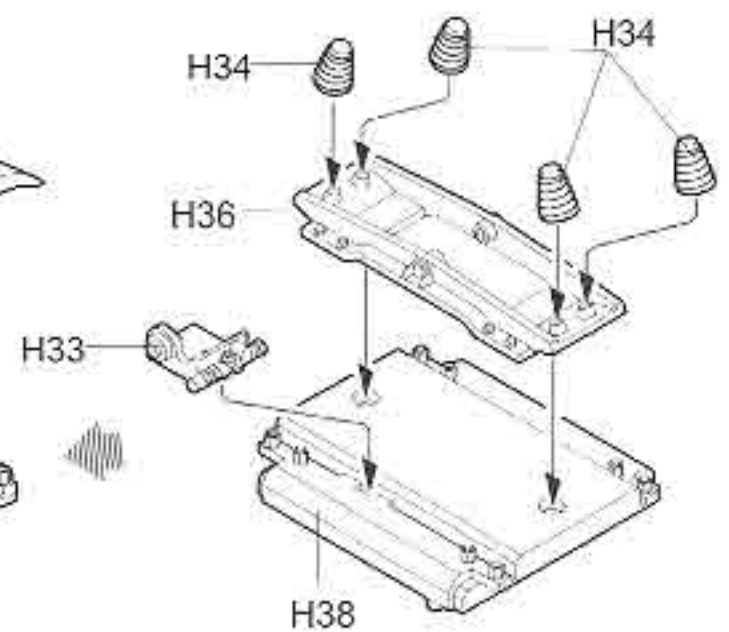
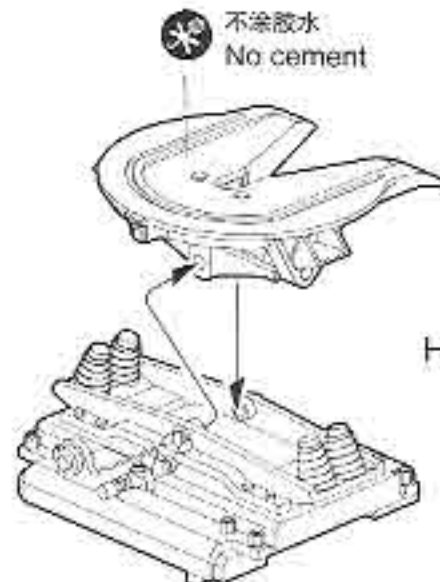
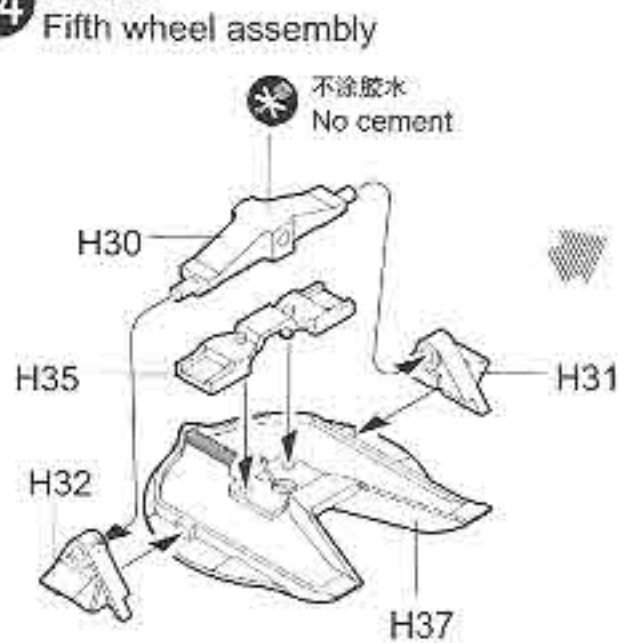
12 车架组装
Frame assembly



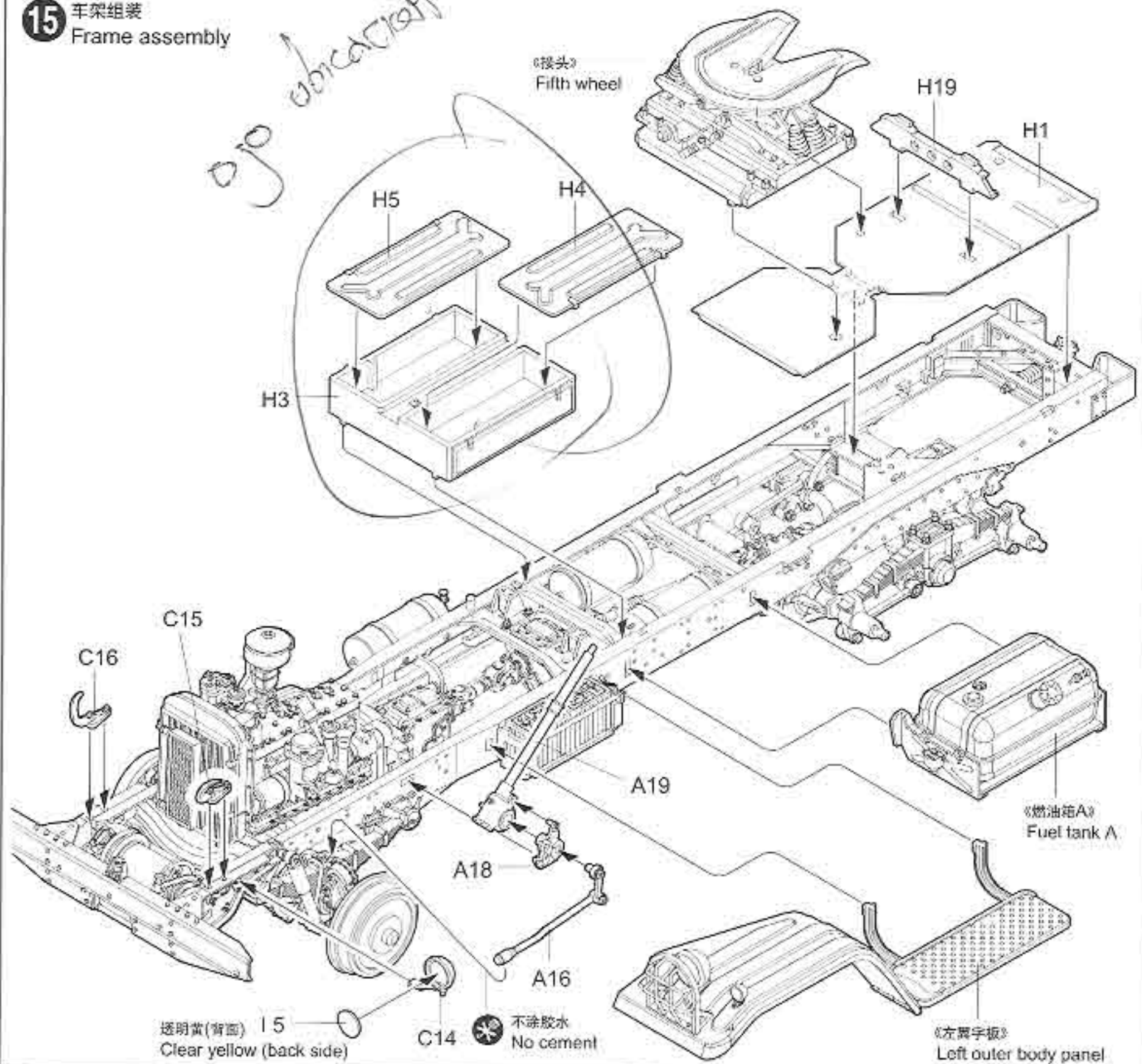
13 组件组装
Kit assembly



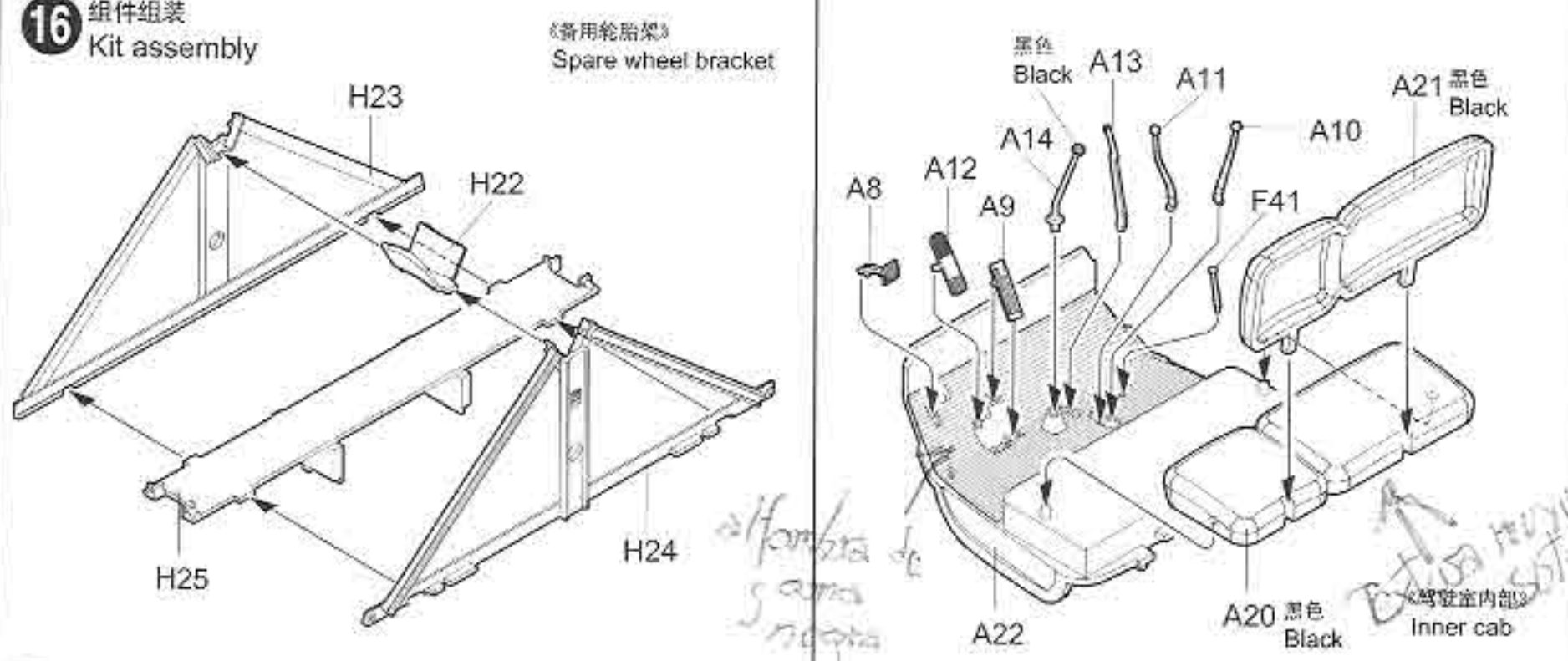
14 接头组装
Fifth wheel assembly

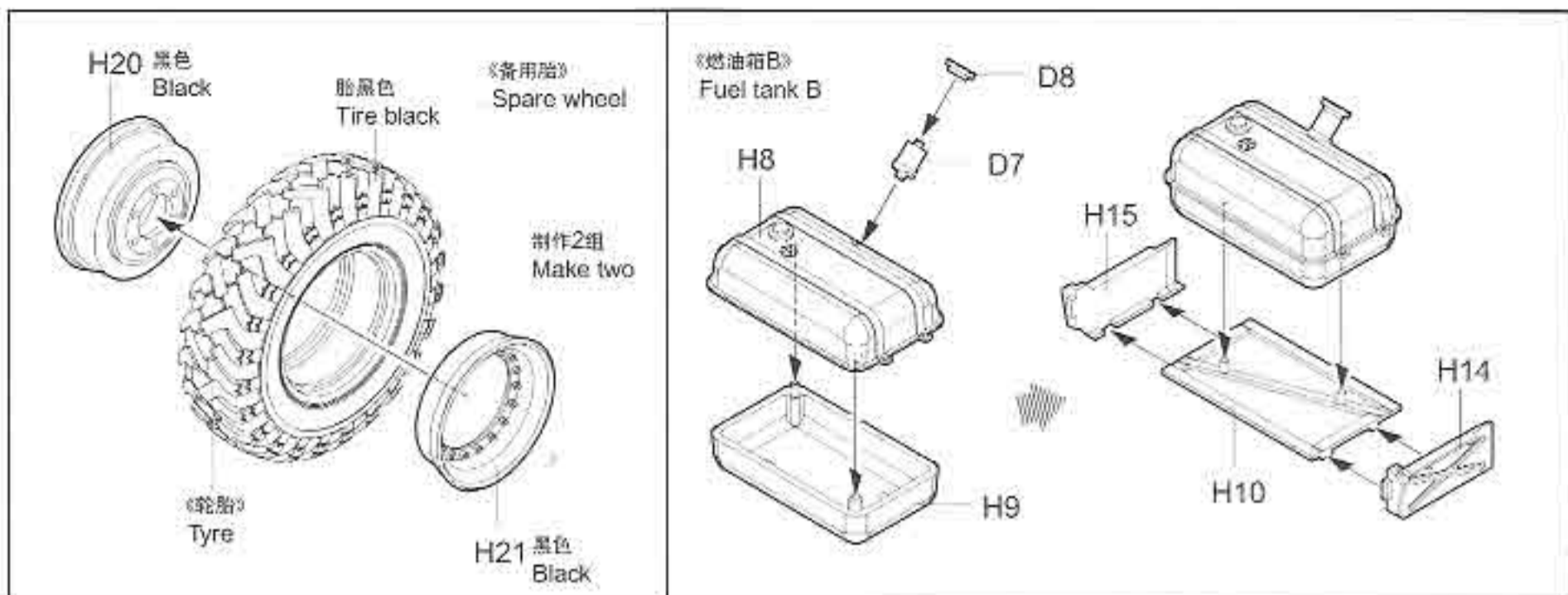


15 车架组装
Frame assembly

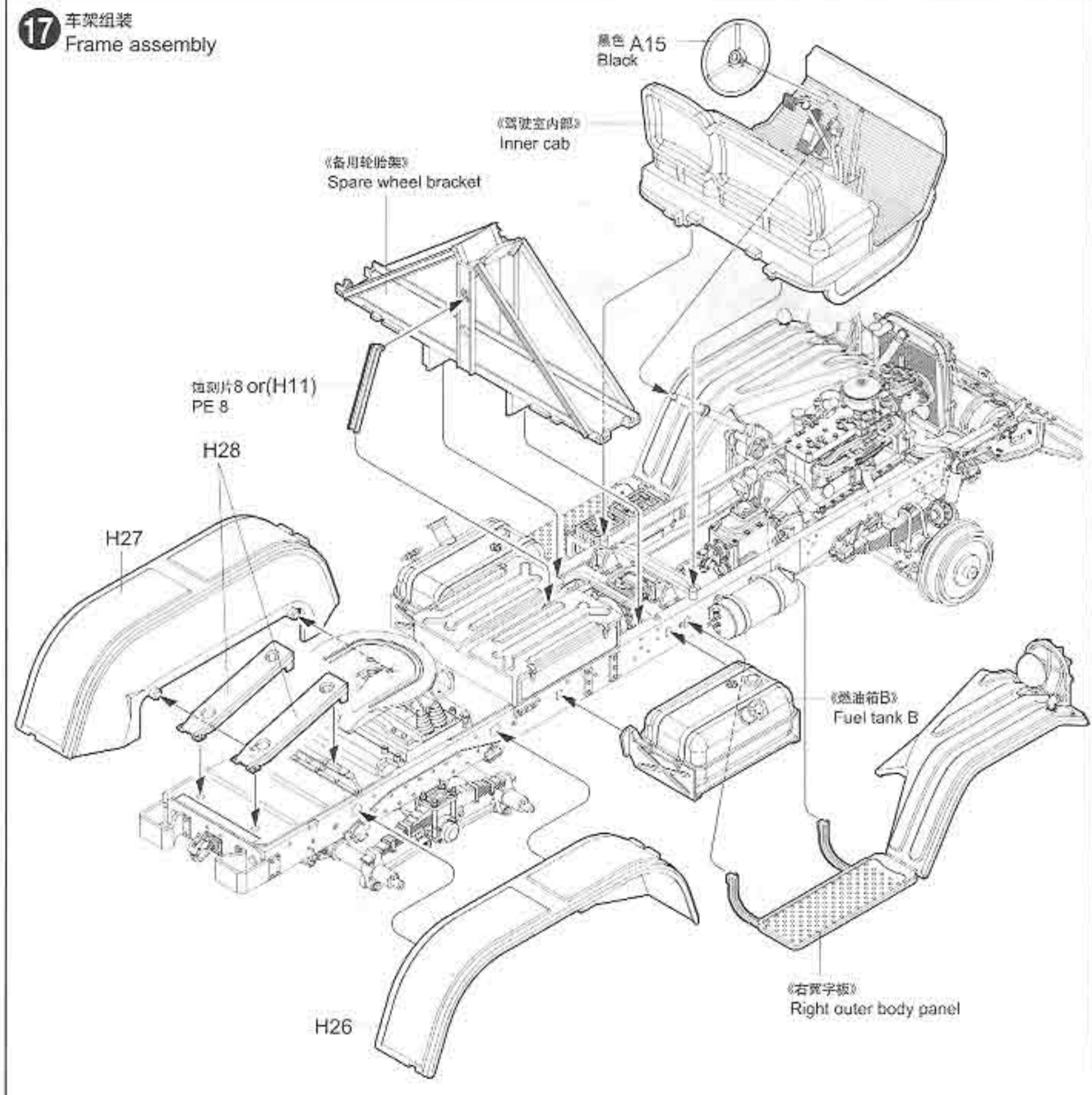


16 组件组装
Kit assembly

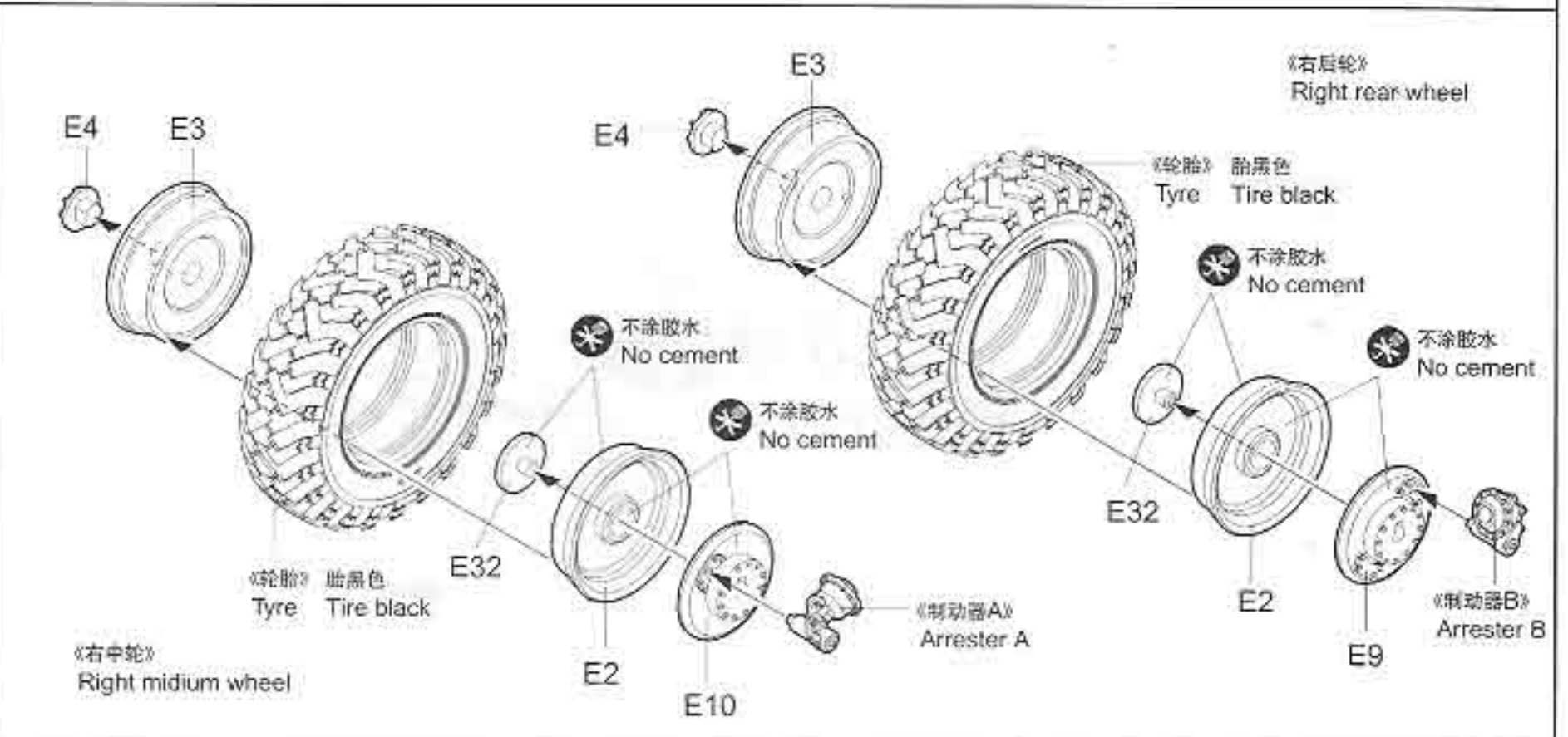
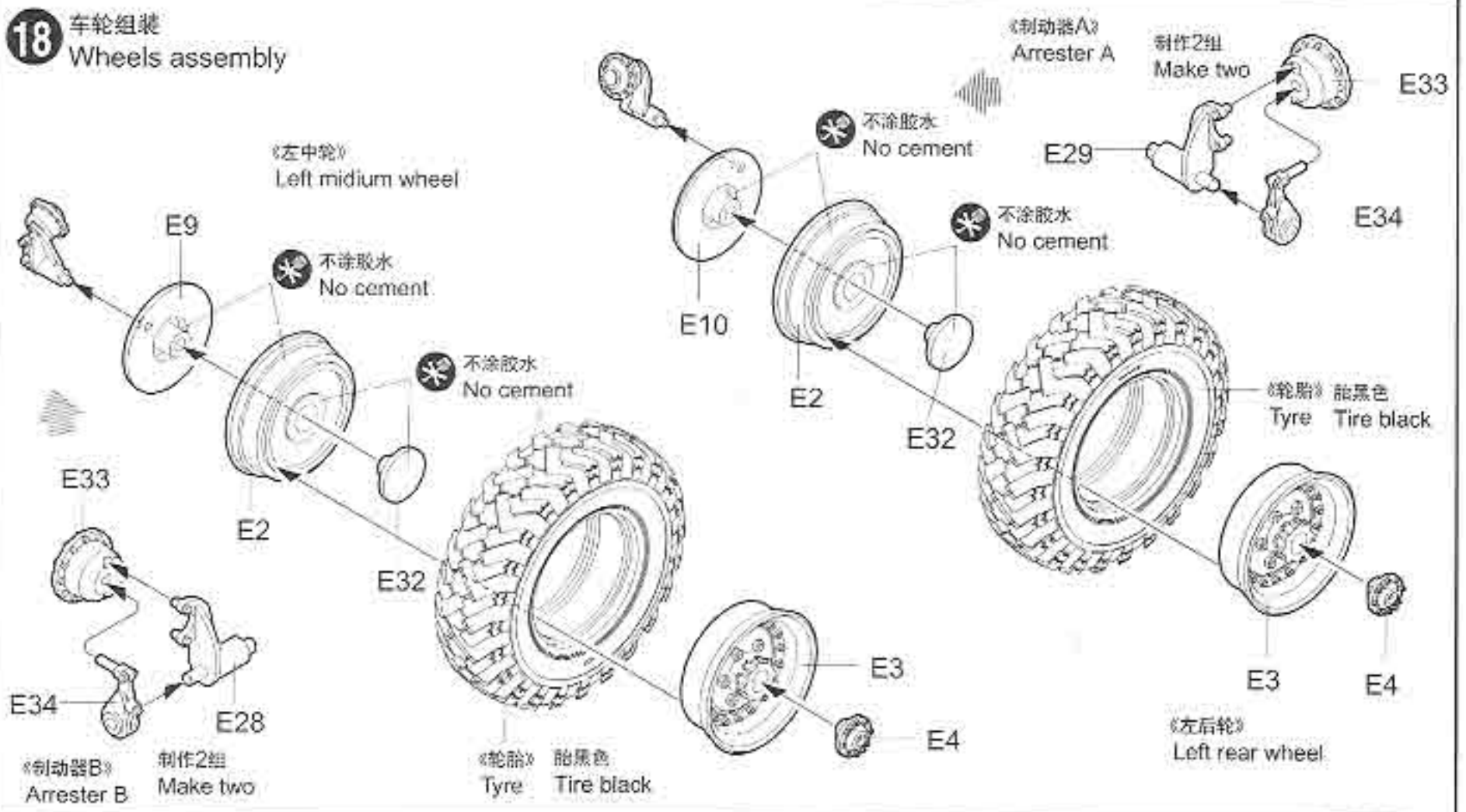




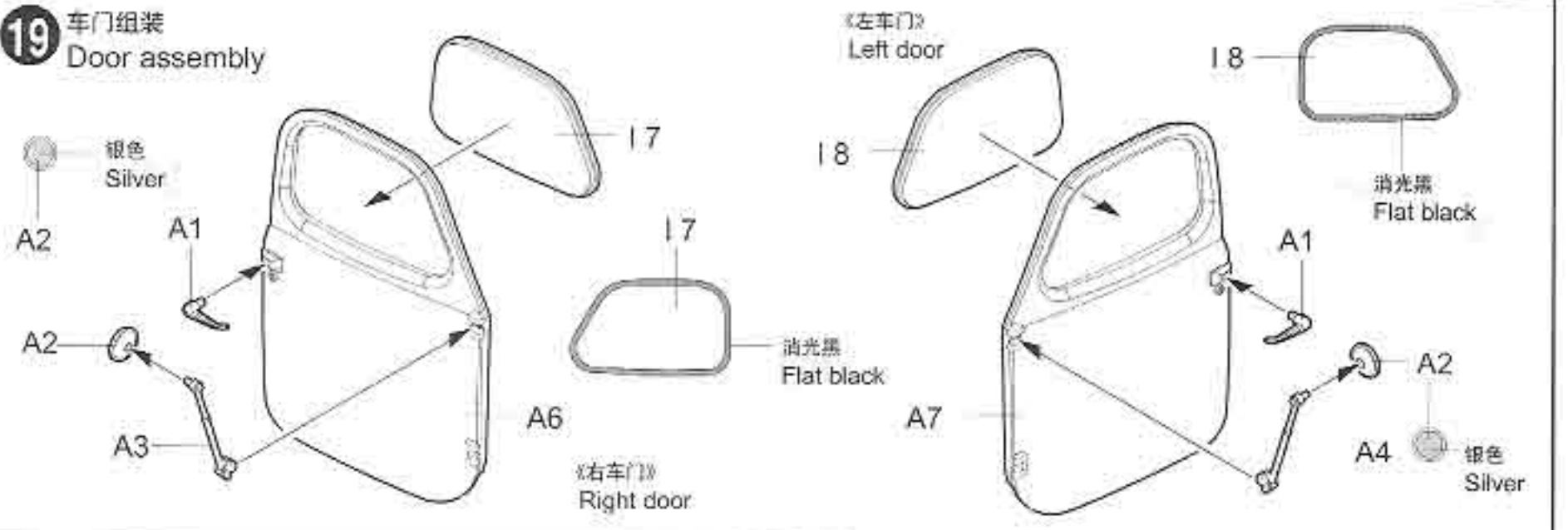
17 车架组装
Frame assembly



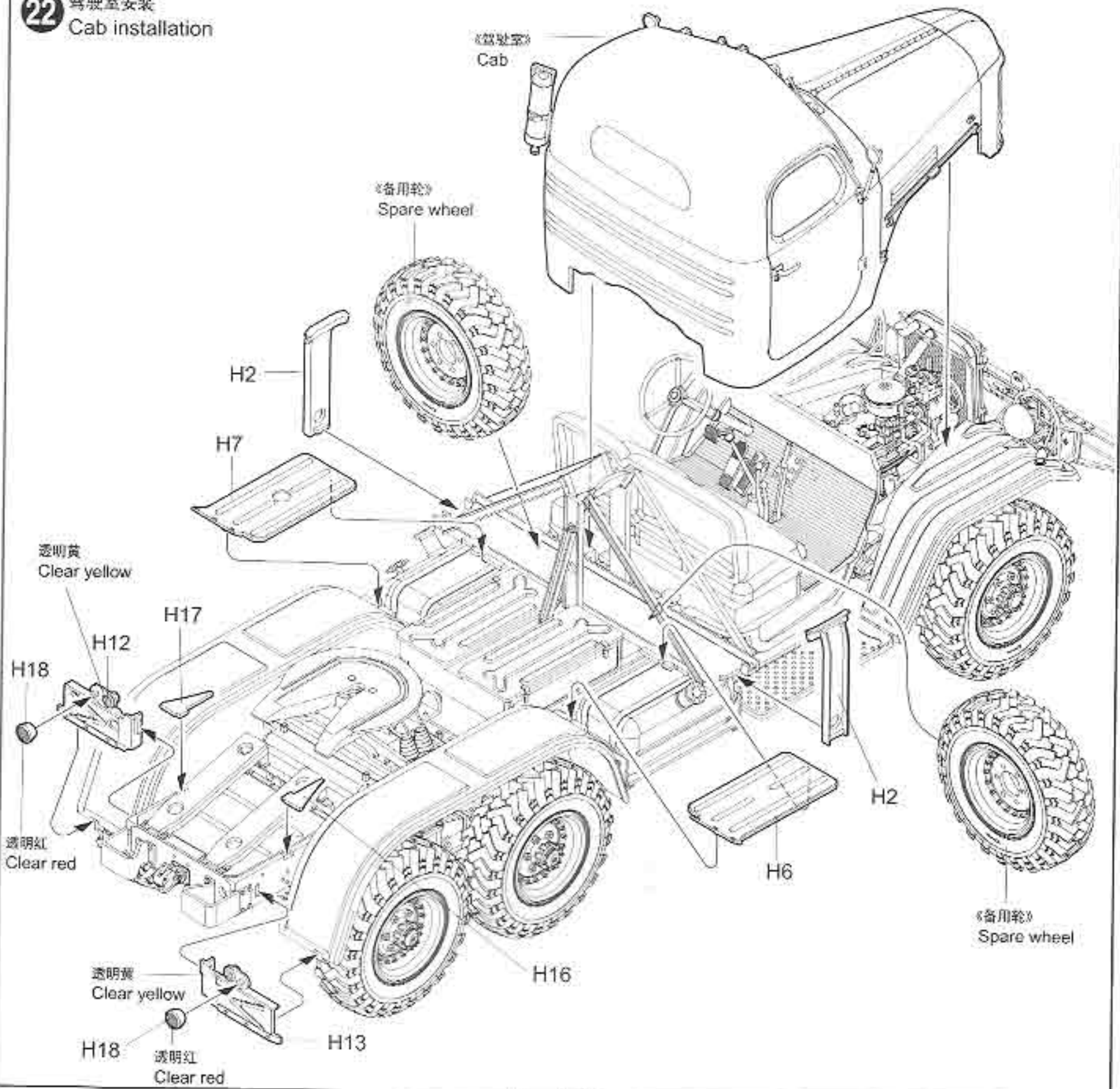
18 车轮组装
Wheels assembly



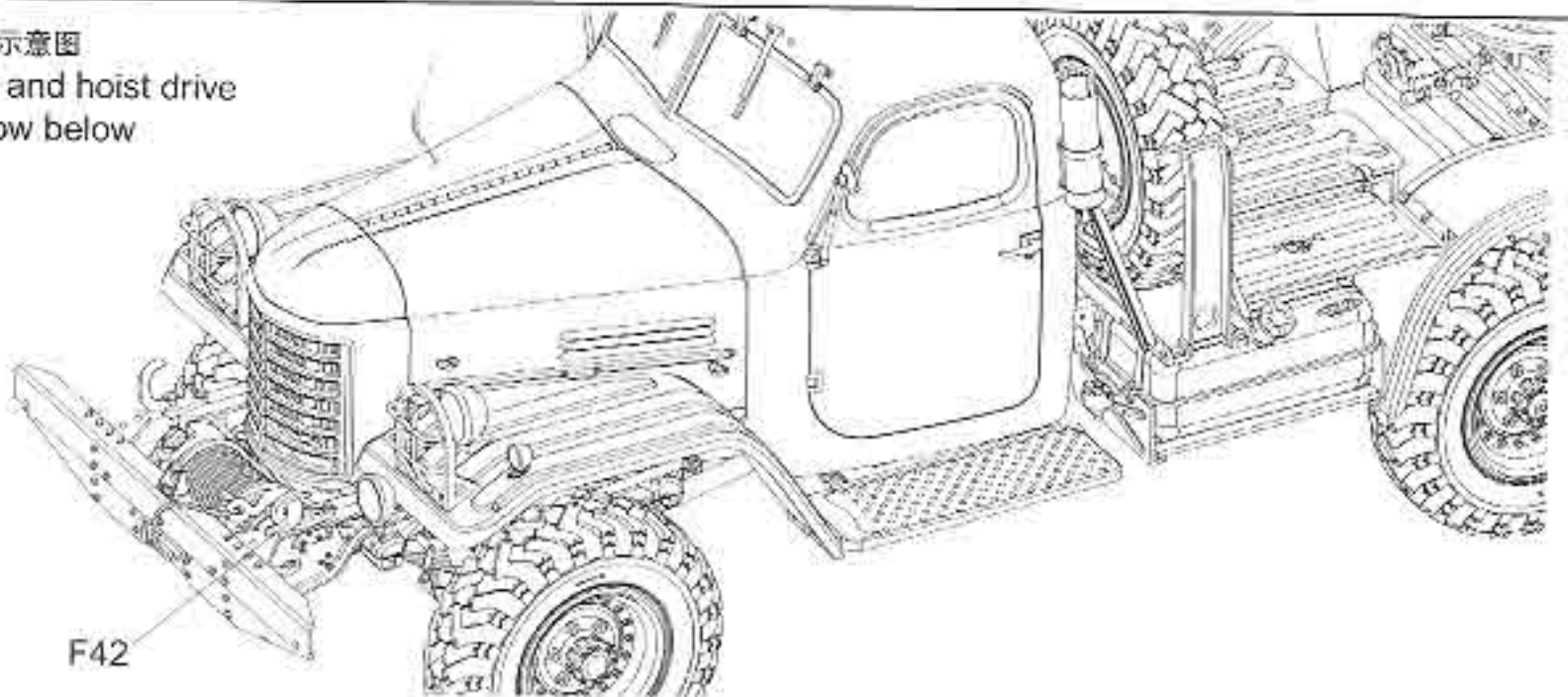
19 车门组装
Door assembly



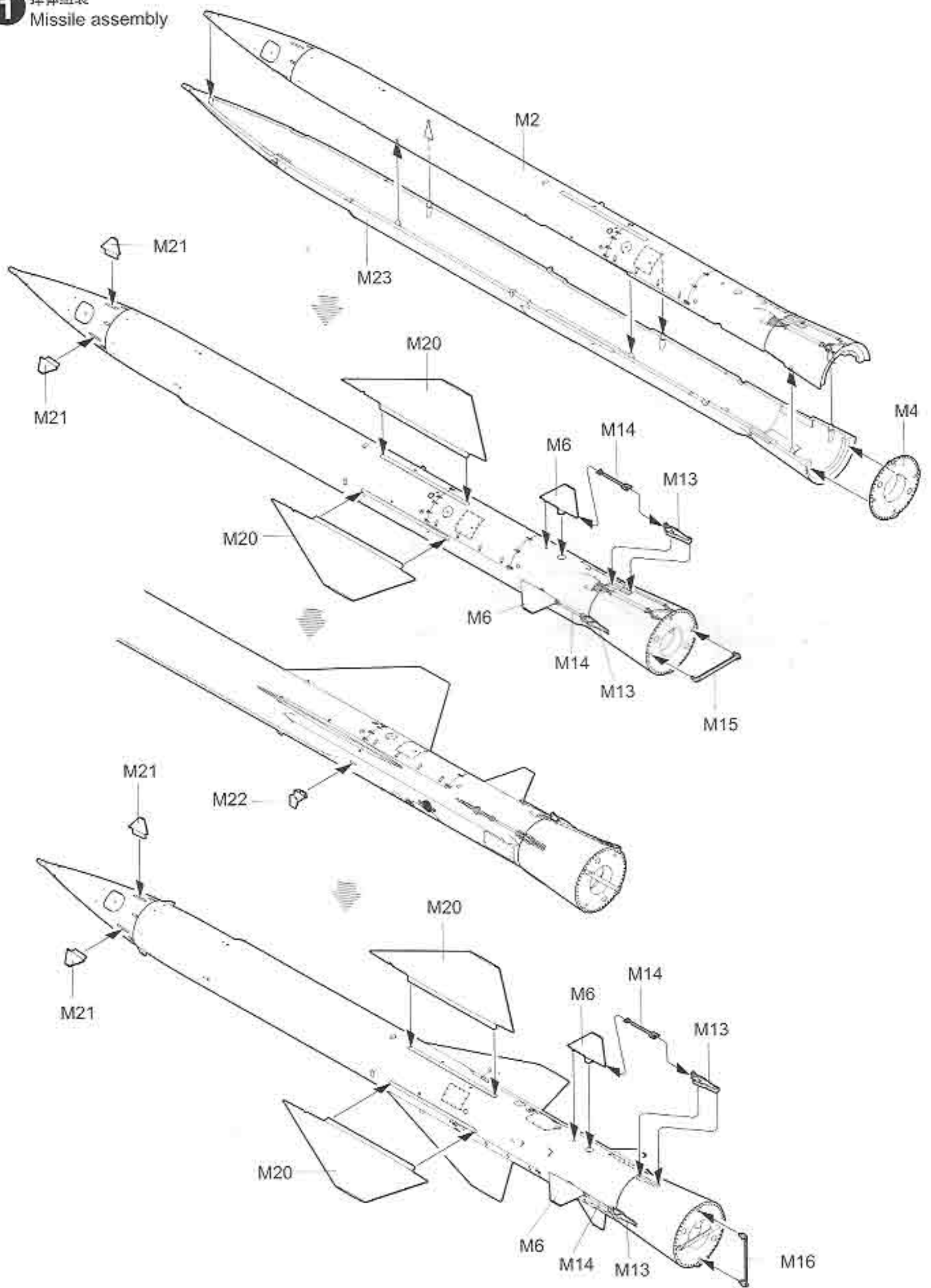
22 驾驶室安装
Cab installation



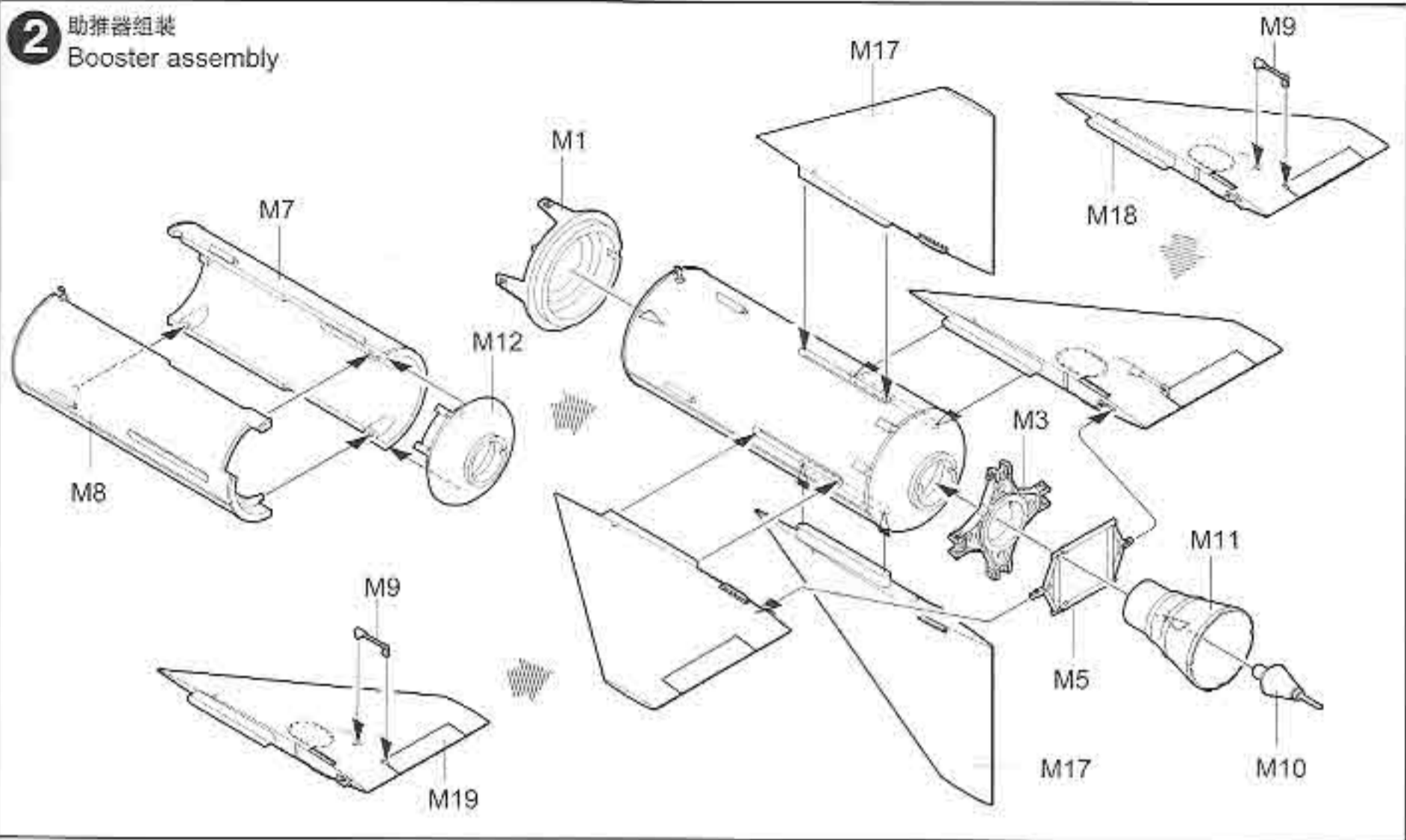
23 缆绳端部固定示意图
Cable hoist and hoist drive
position show below



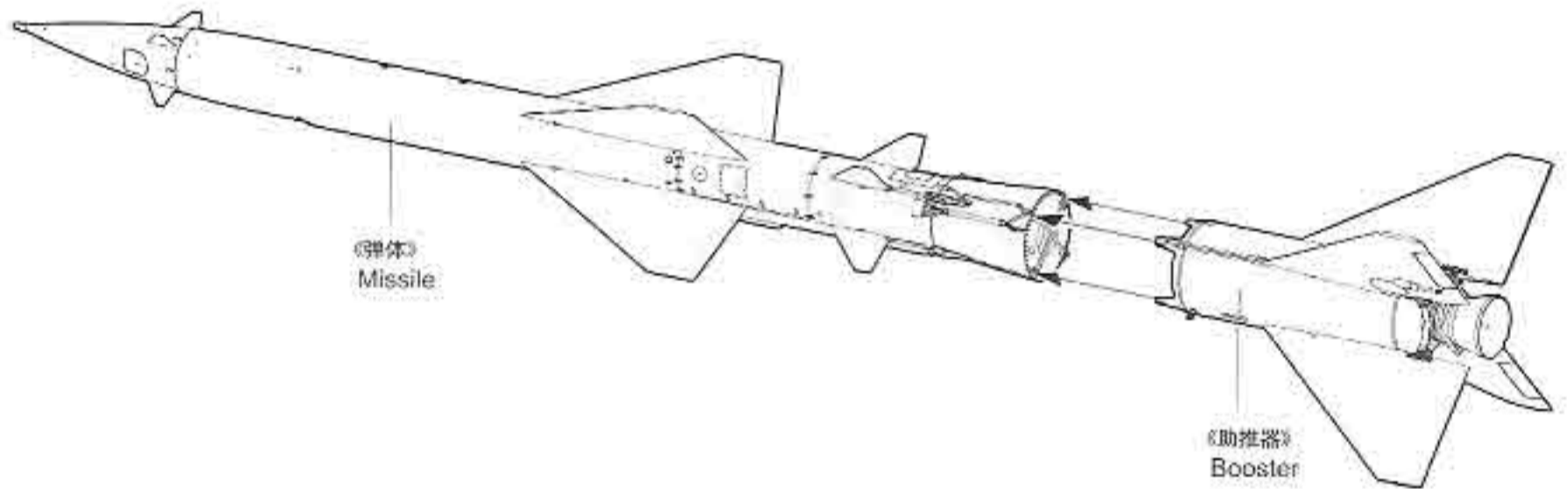
1 弹体组装
Missile assembly



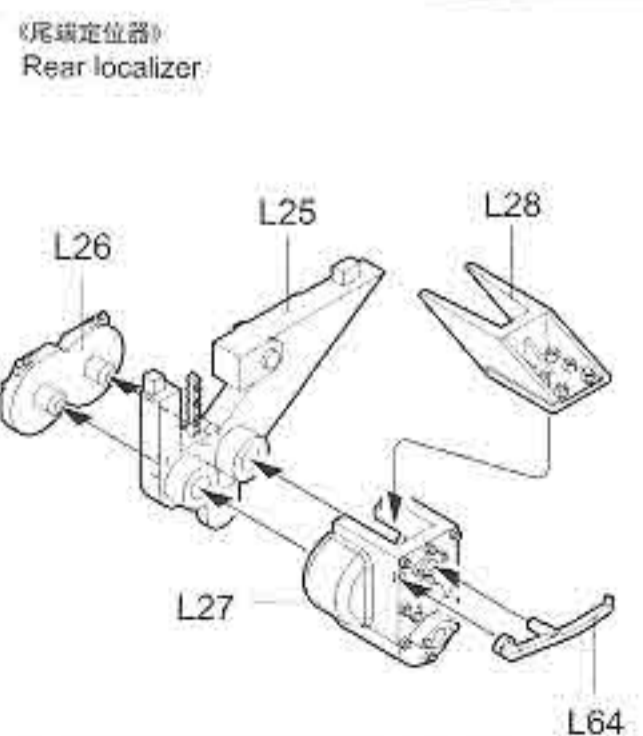
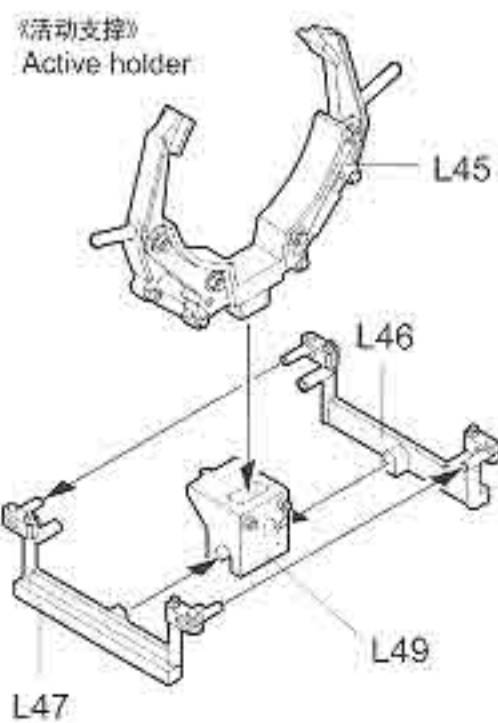
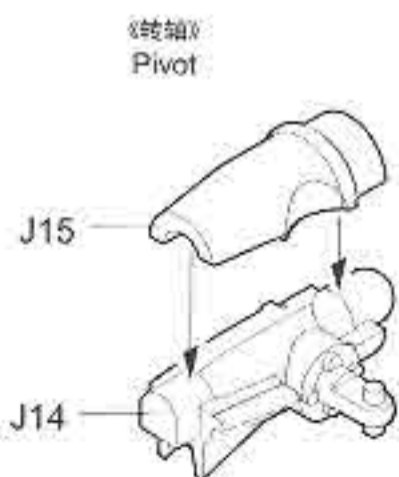
2 助推器组装
Booster assembly



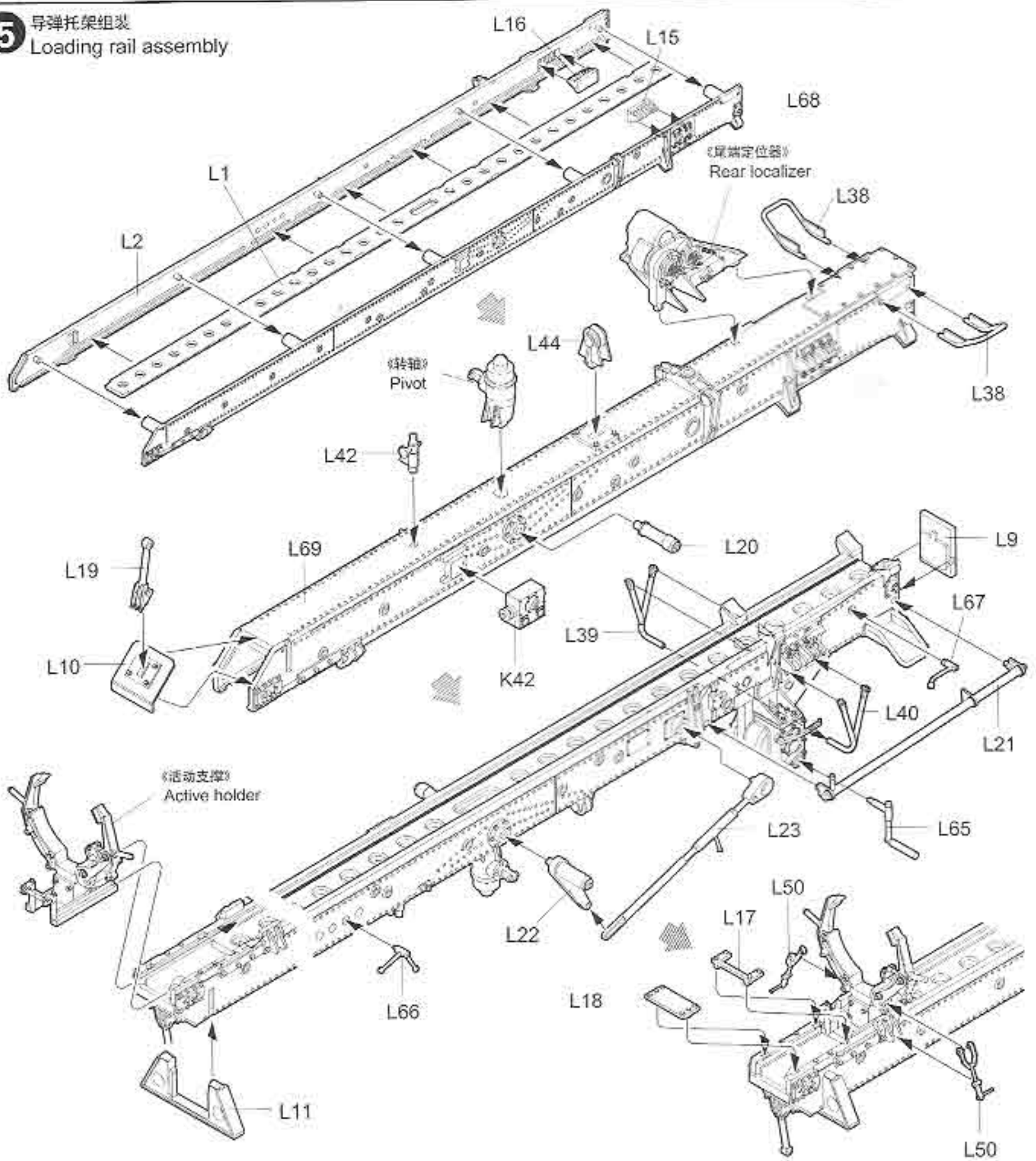
3 导弹组装
Missile assembly



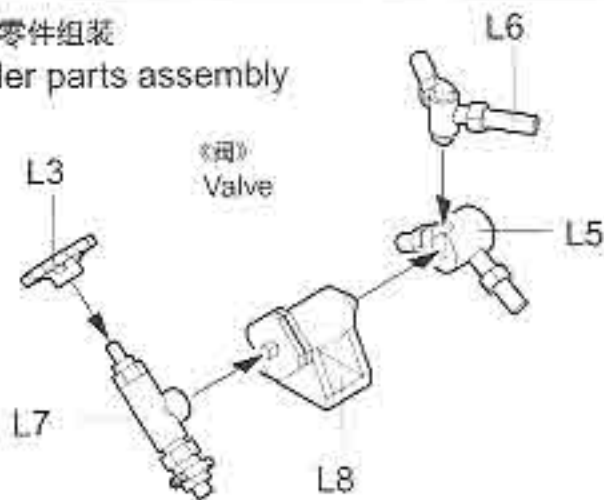
4 导弹托架零件组装
Loading rail parts assembly



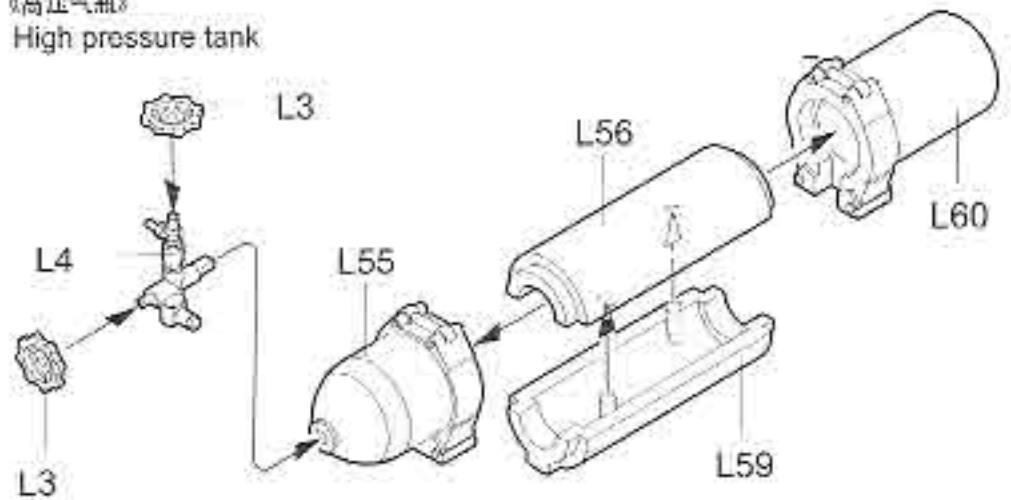
5 导弹托架组装
Loading rail assembly



6 拖车零件组装
Trailer parts assembly



《高压气瓶》
High pressure tank



《按图示尺寸切下铜丝并成型》
Cut brass wire to required length and bend into position

0mm 36mm 《铜丝》
Brass wire ϕ 0.8mm

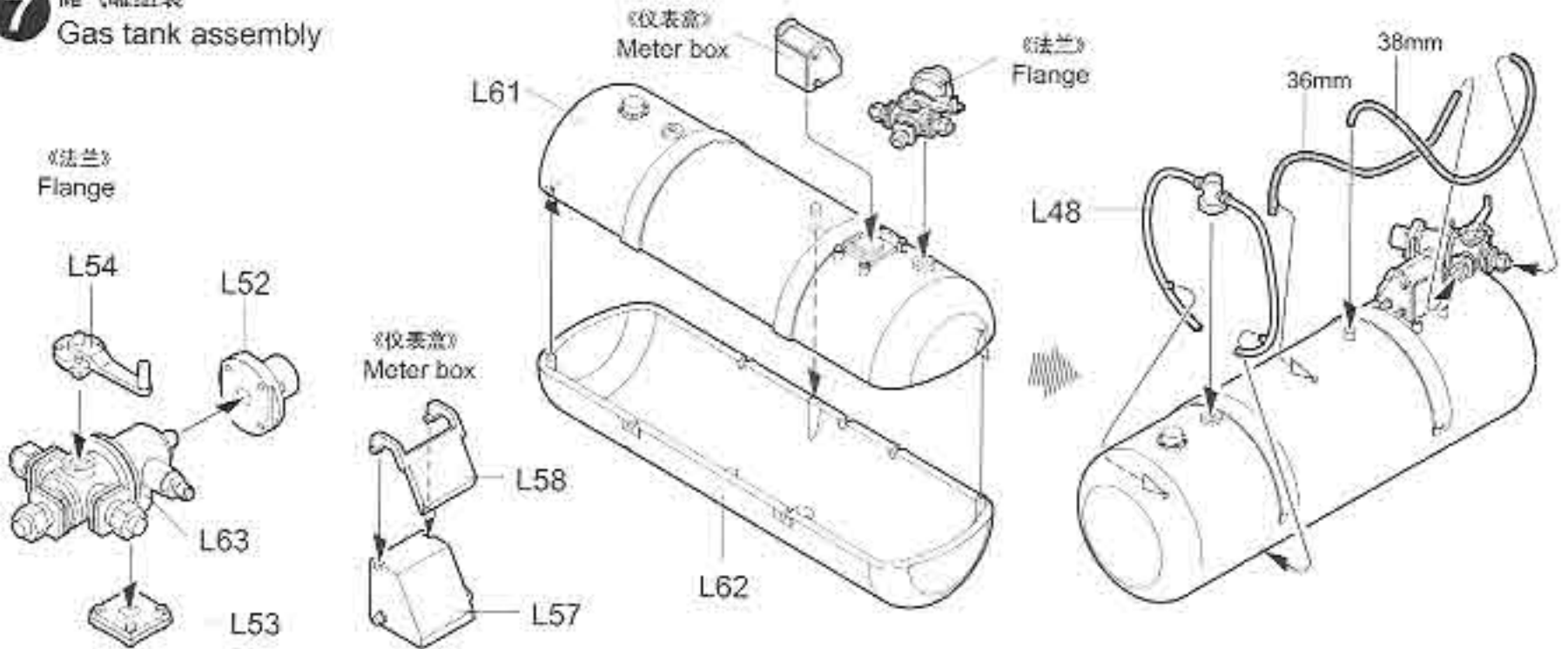


《按图示尺寸切下铜丝并成型》
Cut brass wire to required length and bend into position

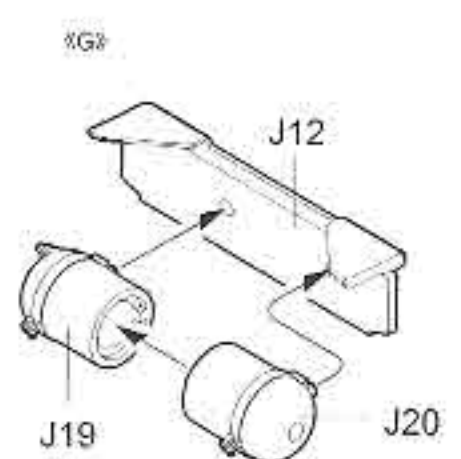
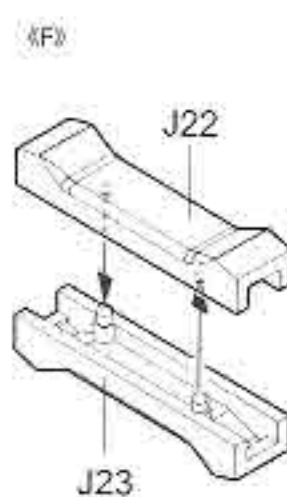
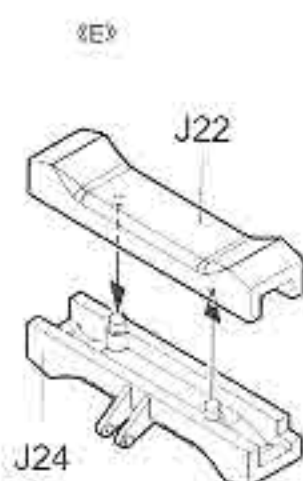
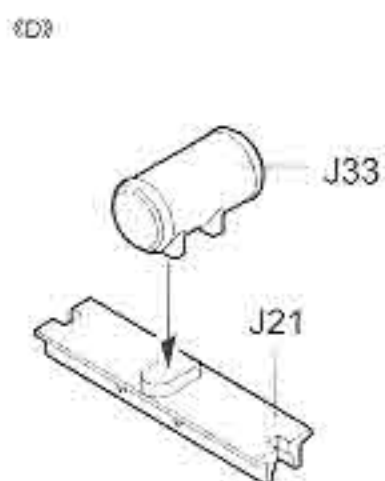
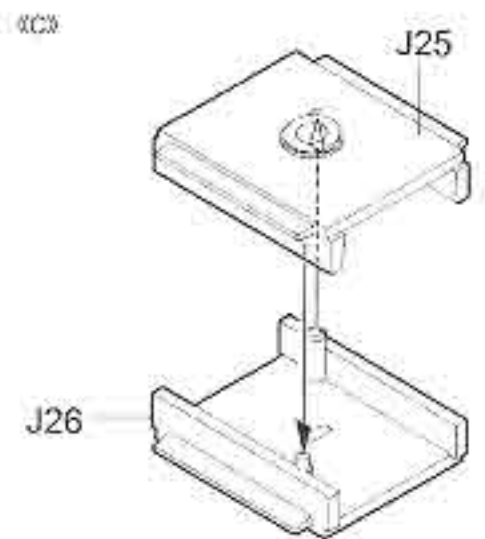
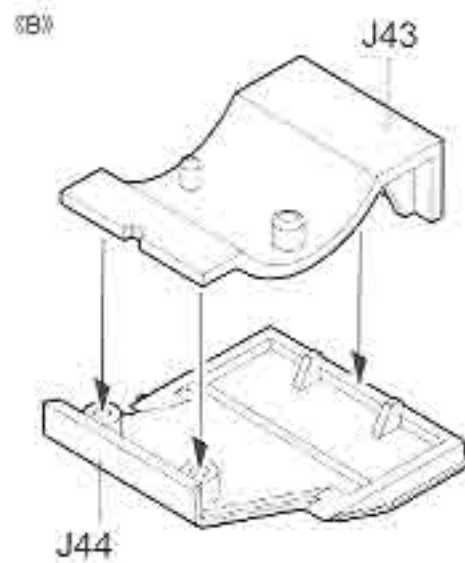
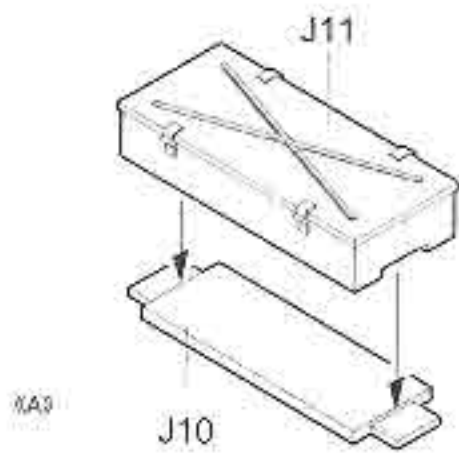
0mm 38mm 《铜丝》
Brass wire ϕ 0.8mm



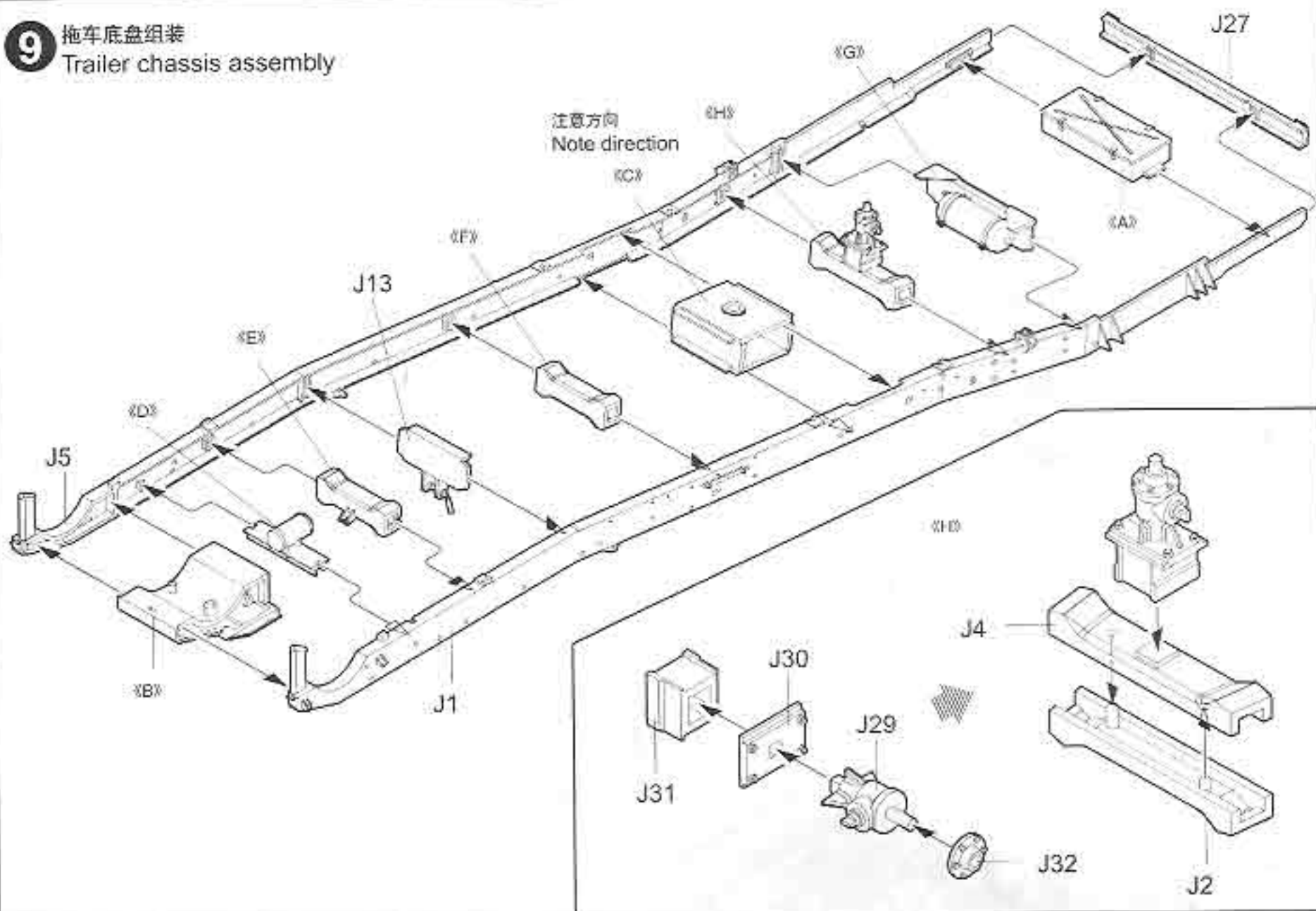
7 储气罐组装 Gas tank assembly



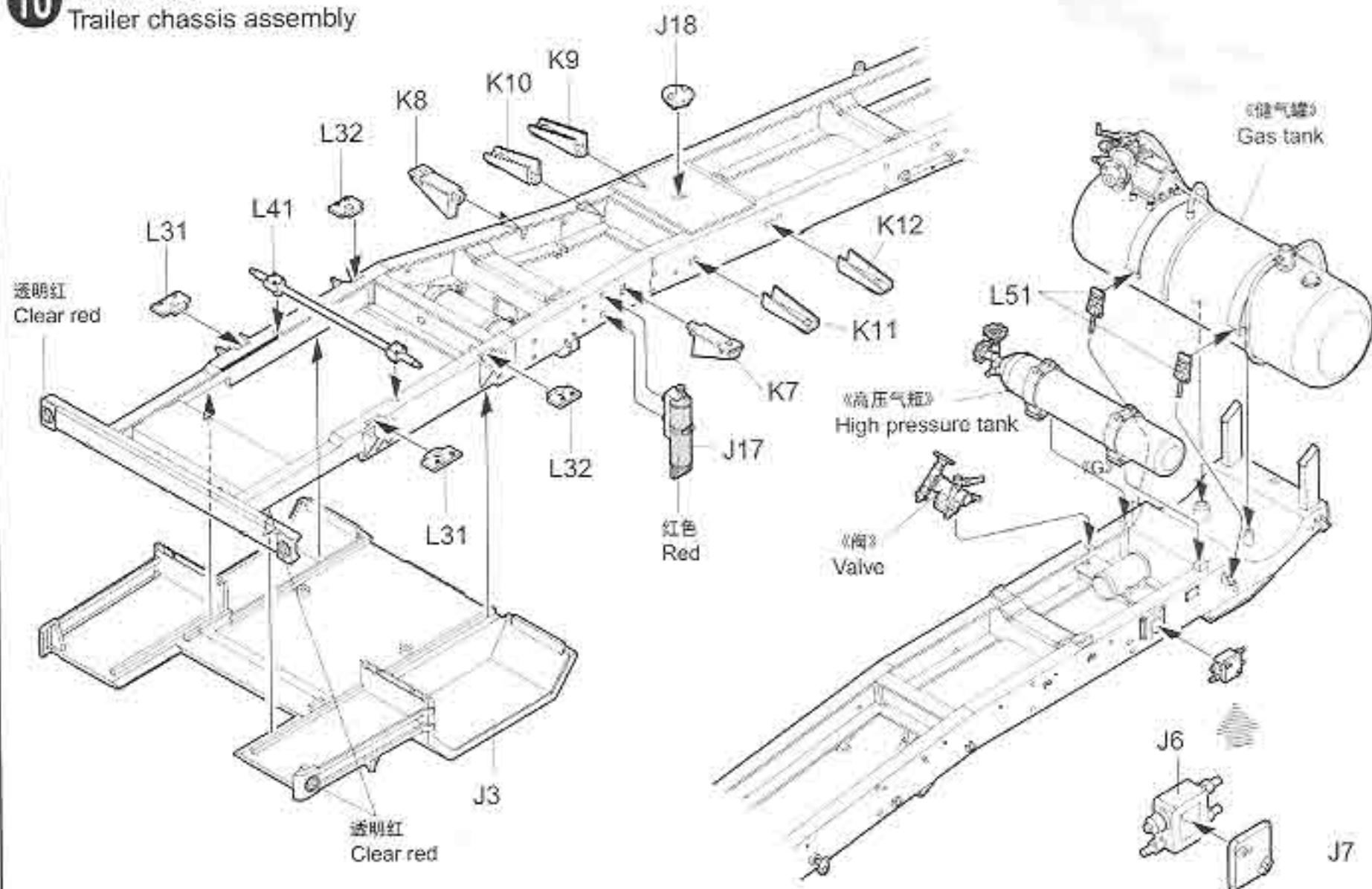
8 拖车底盘零件组装 Trailer chassis parts assembly



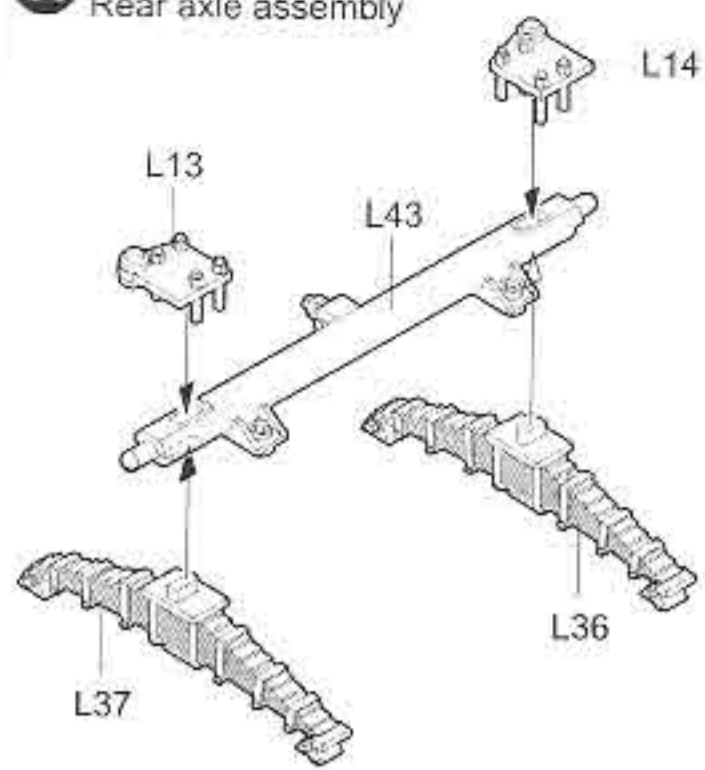
9 拖车底盘组装
Trailer chassis assembly



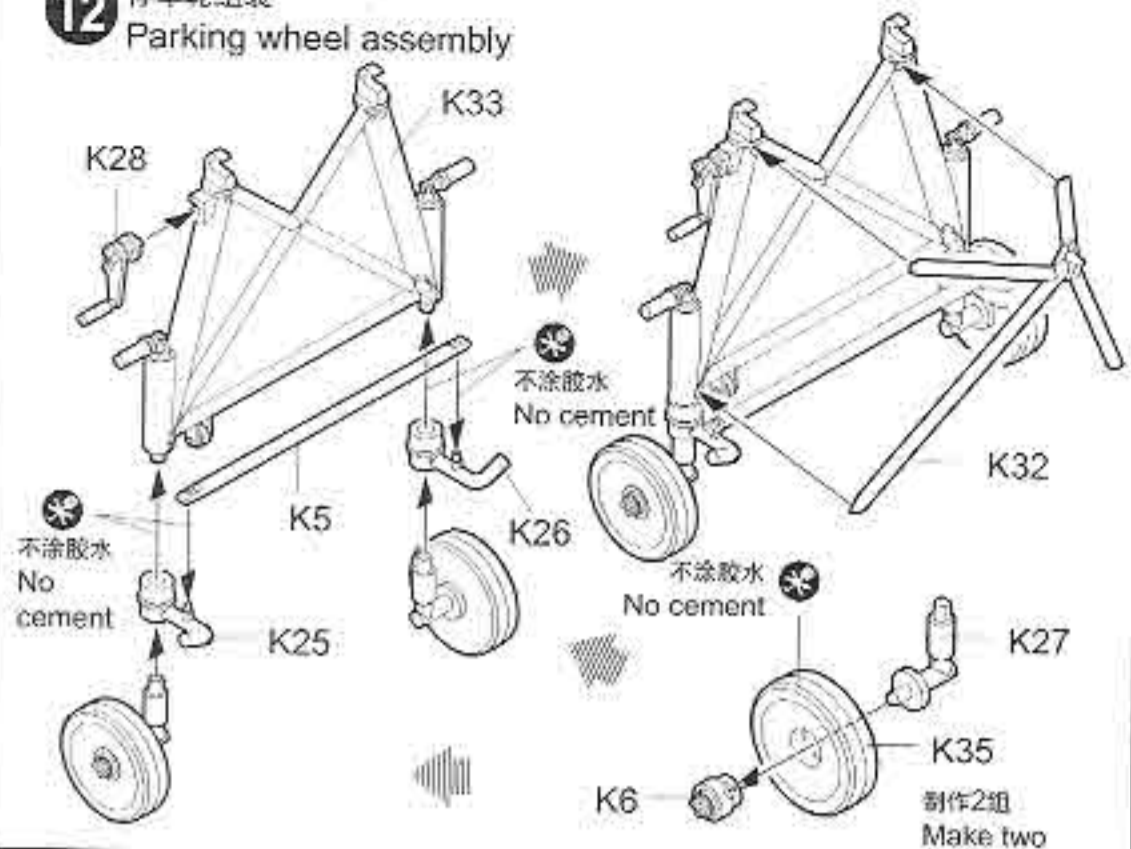
10 拖车底盘组装
Trailer chassis assembly



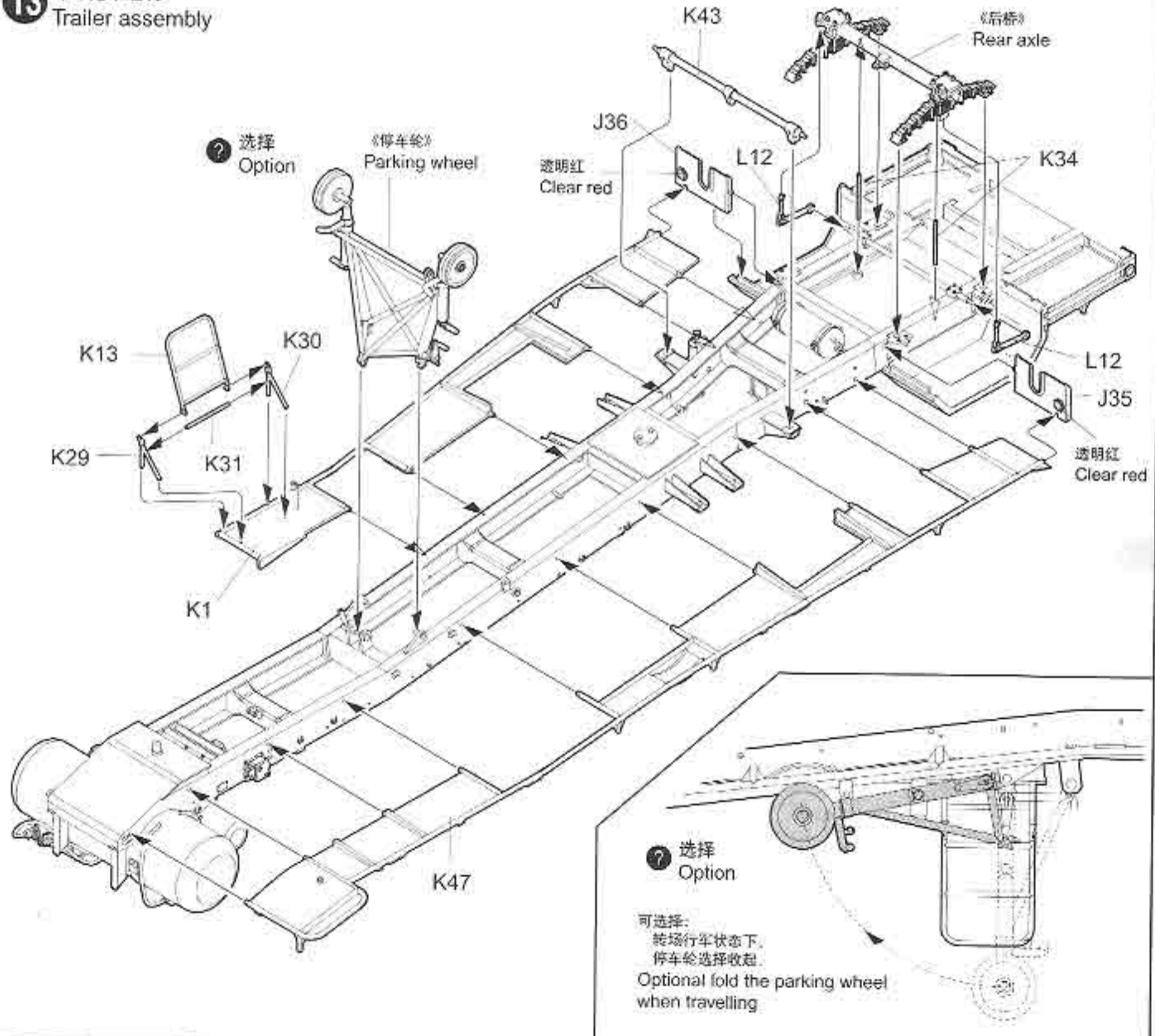
11 后桥组装
Rear axle assembly



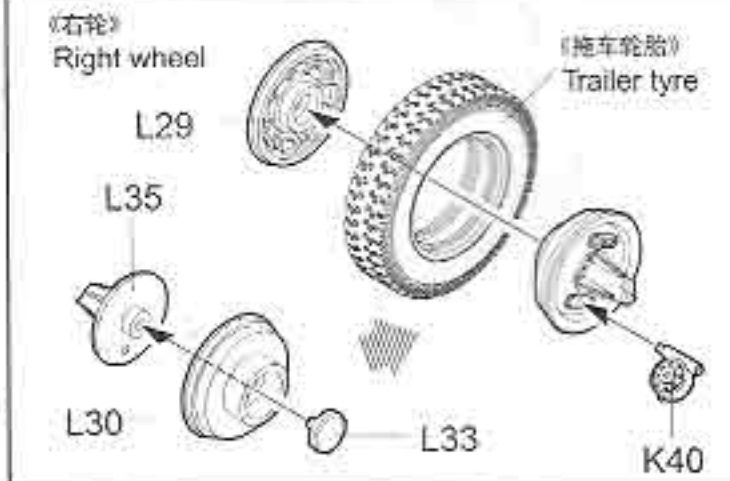
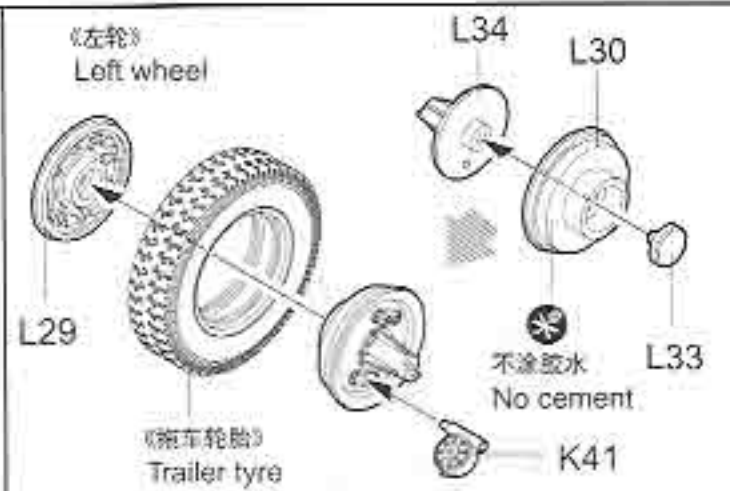
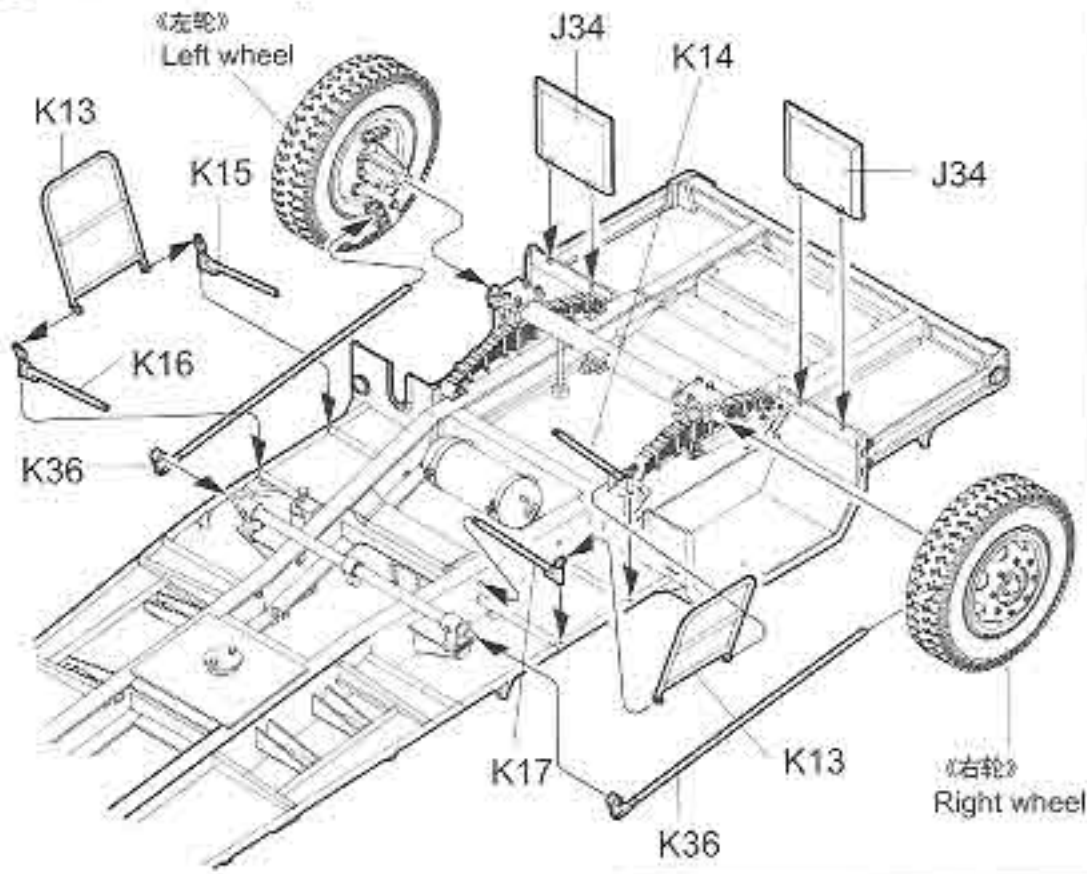
12 停车轮组装
Parking wheel assembly



13 导弹拖车组装
Trailer assembly

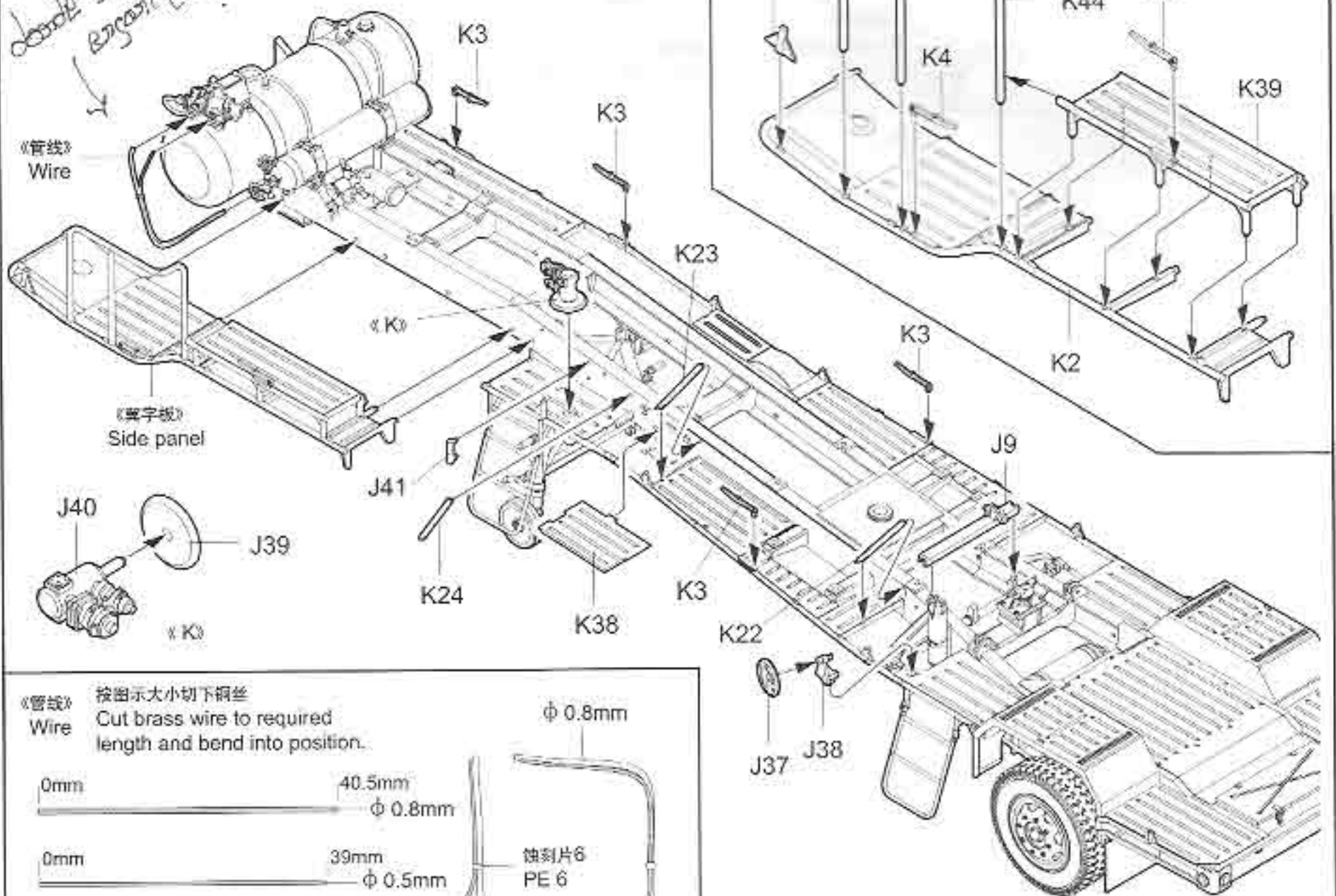


14 导弹拖车组装
Trailer assembly

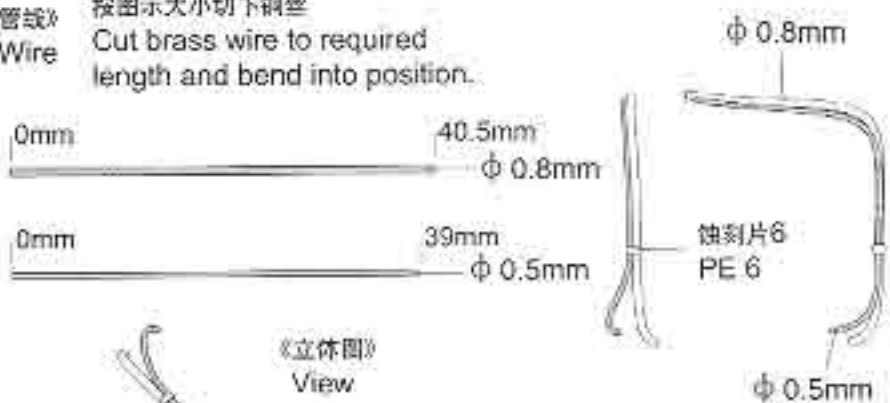


15 导弹拖车组装
Trailer assembly

double so Engländer p.



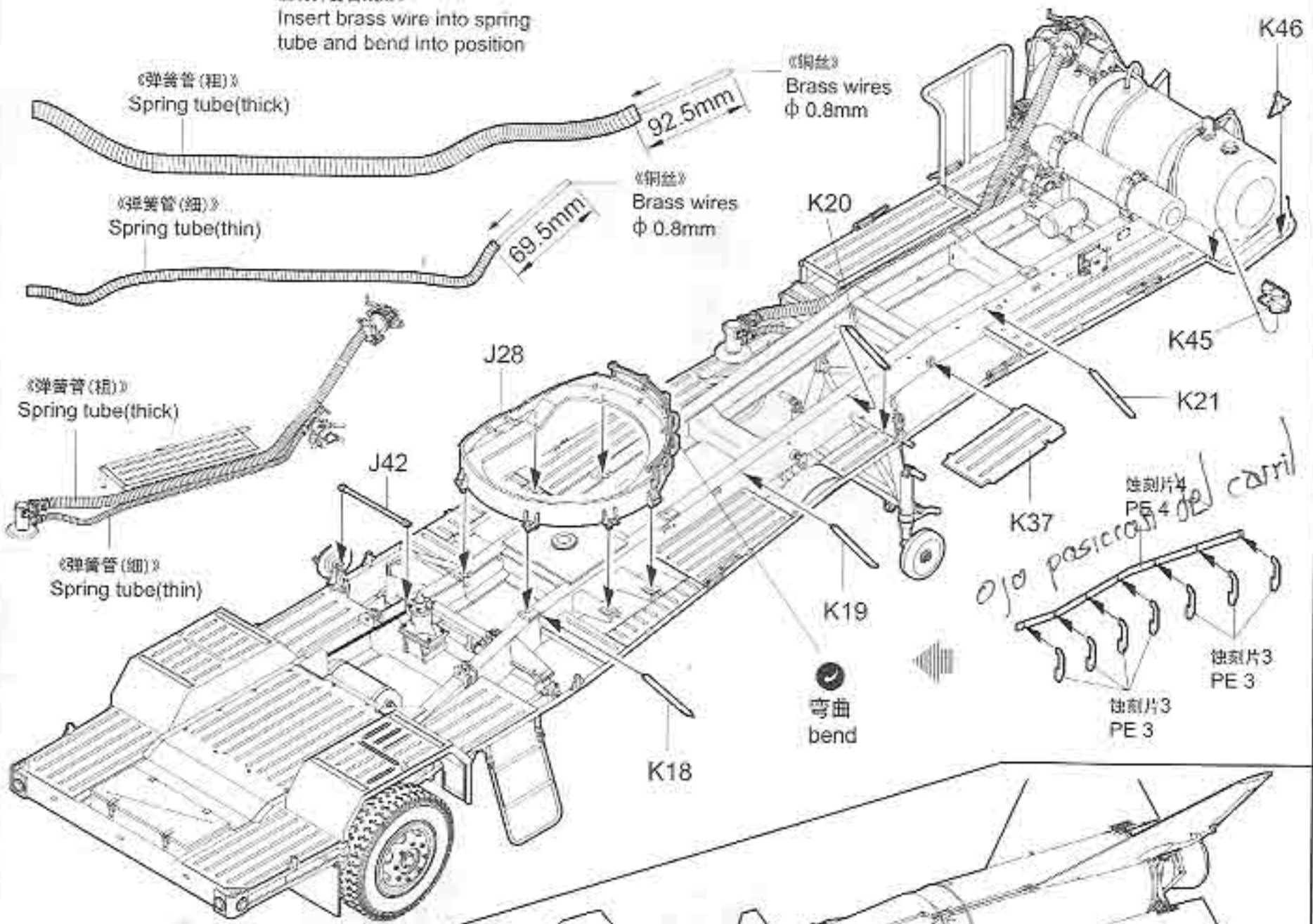
《管线》 Wire
按图示大小切下铜丝
Cut brass wire to required length and bend into position.



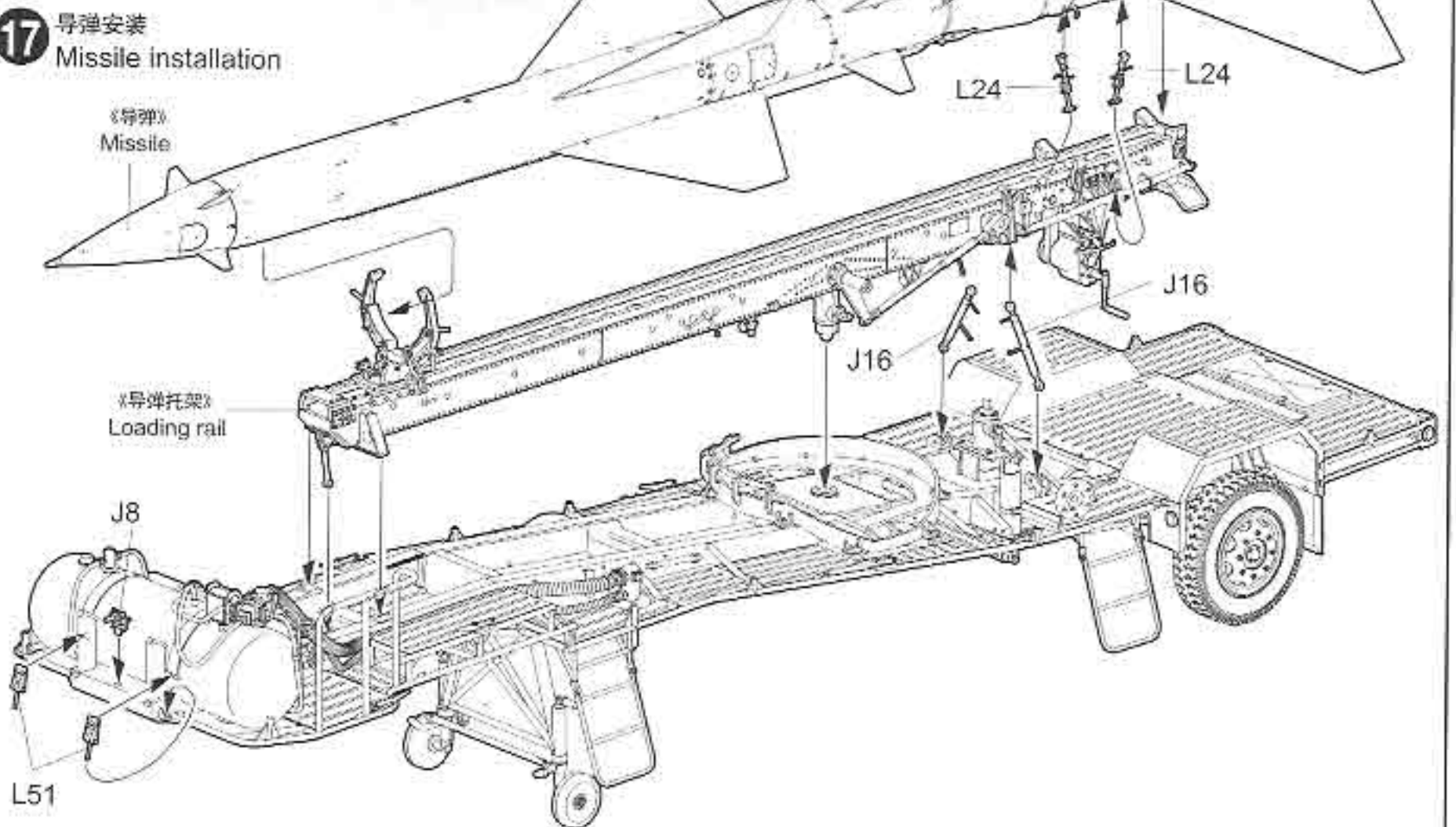
16 导弹拖车组装
Trailer assembly

0mm 69.5mm 92.5mm

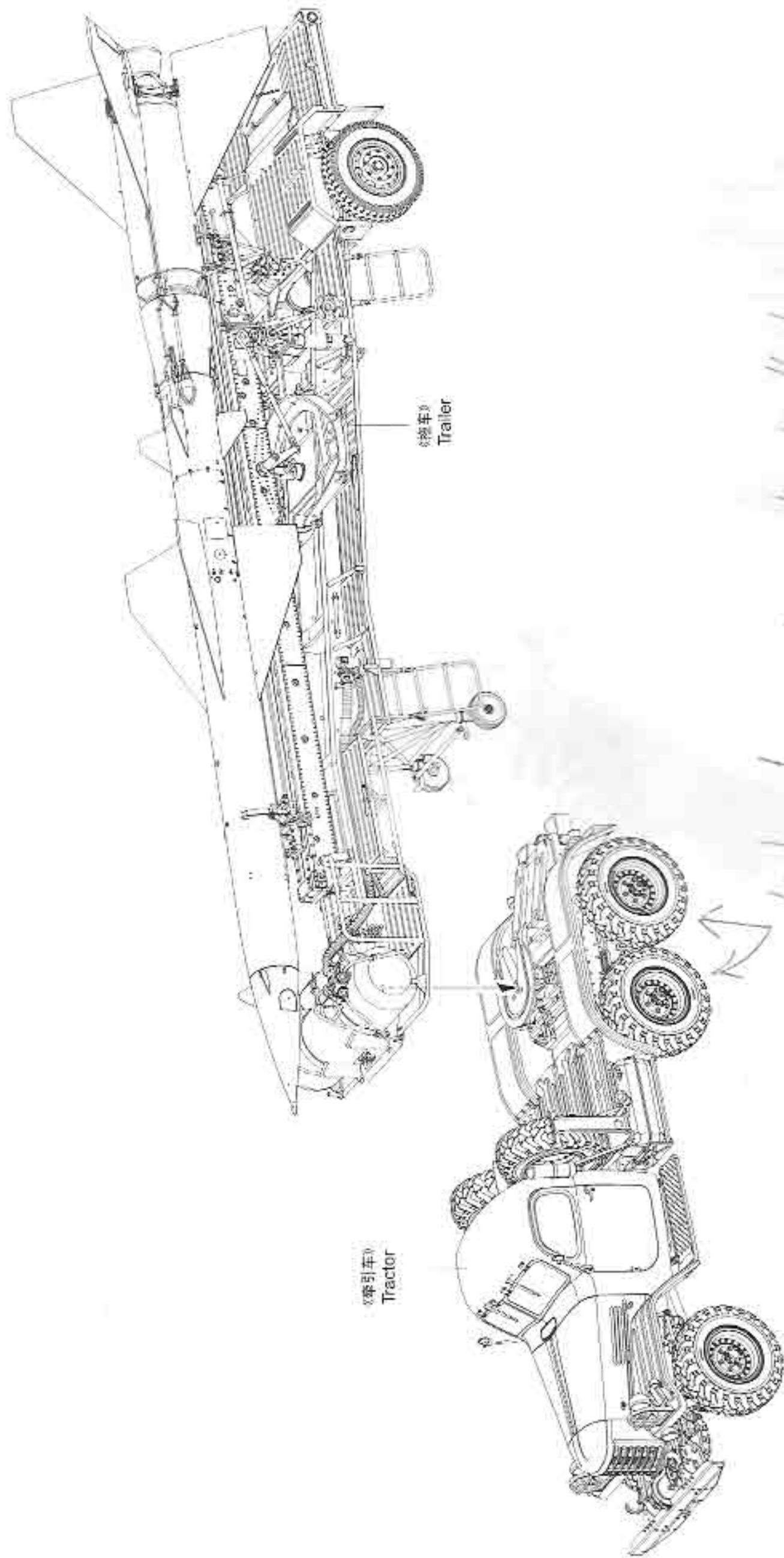
按图示尺寸切下铜丝, 分别插入弹簧管
后将弹簧管成形。
Insert brass wire into spring
tube and bend into position



17 导弹安装
Missile installation

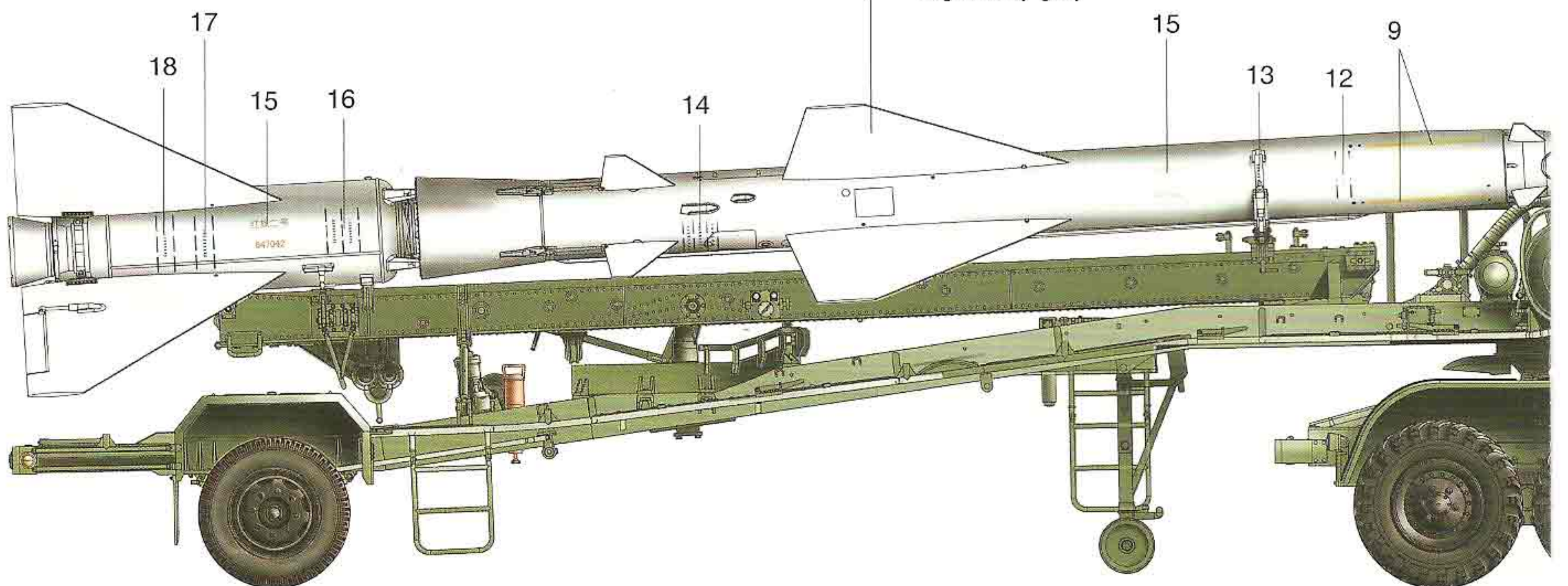
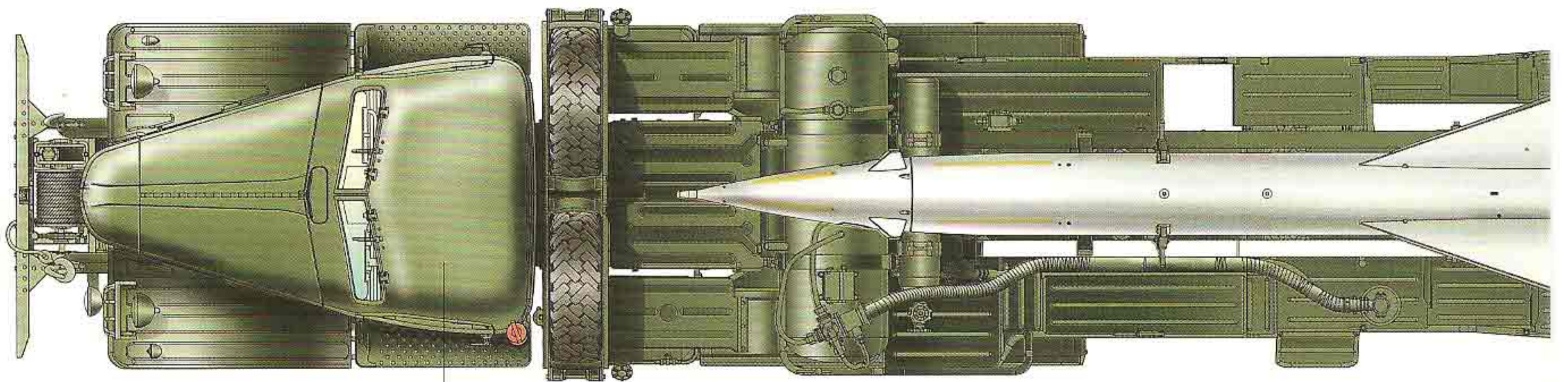
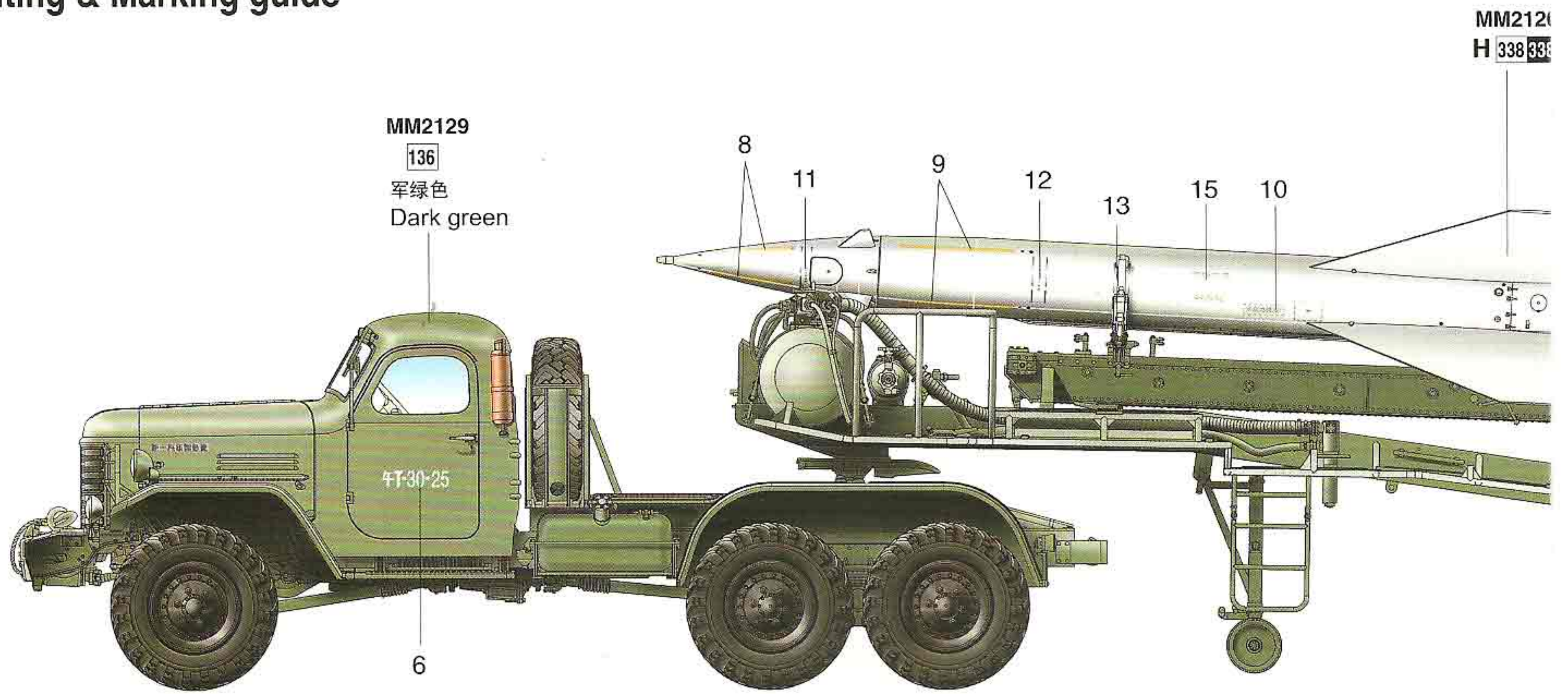


17 导弹运输及装填车
Transporter attaching

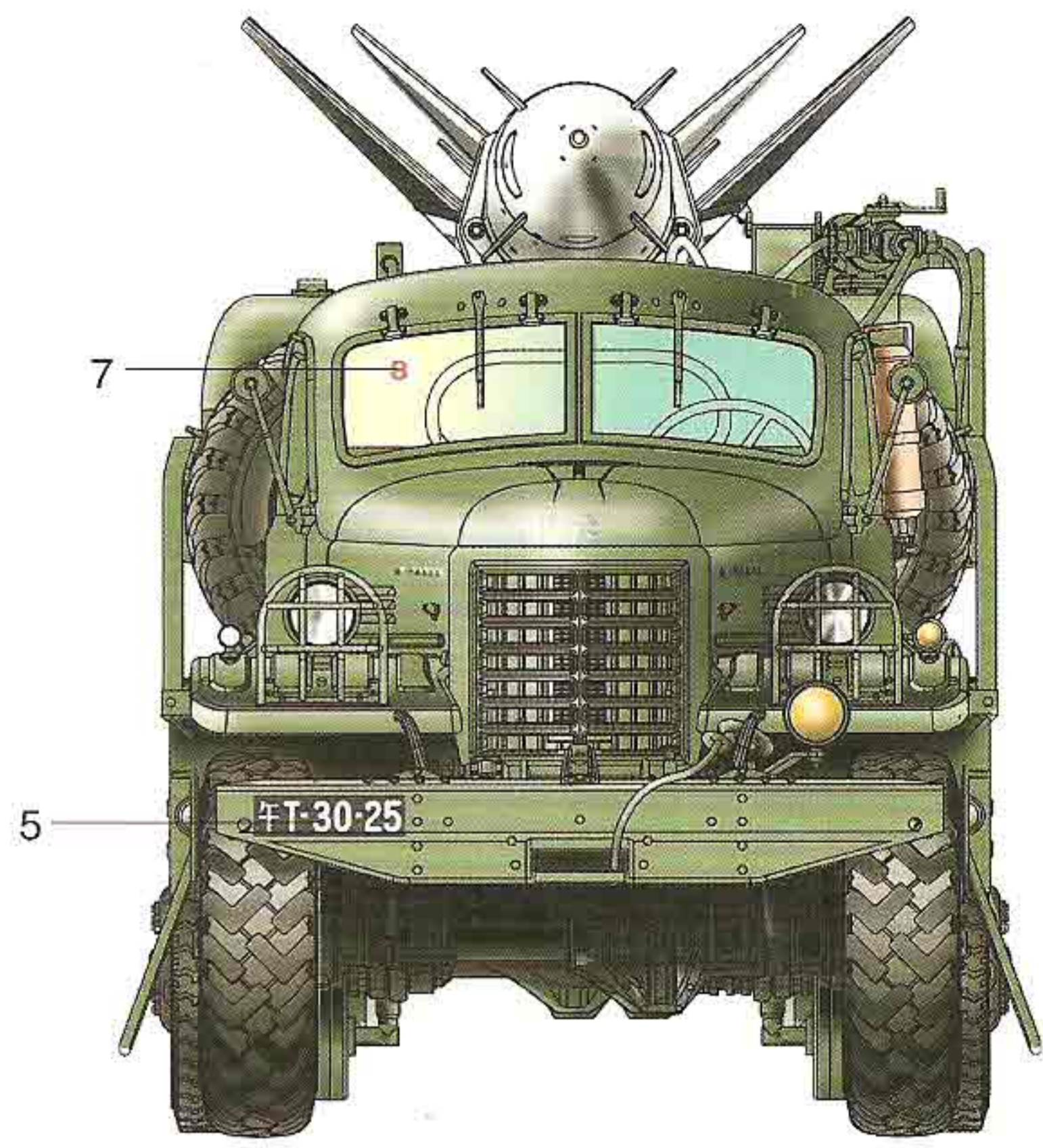
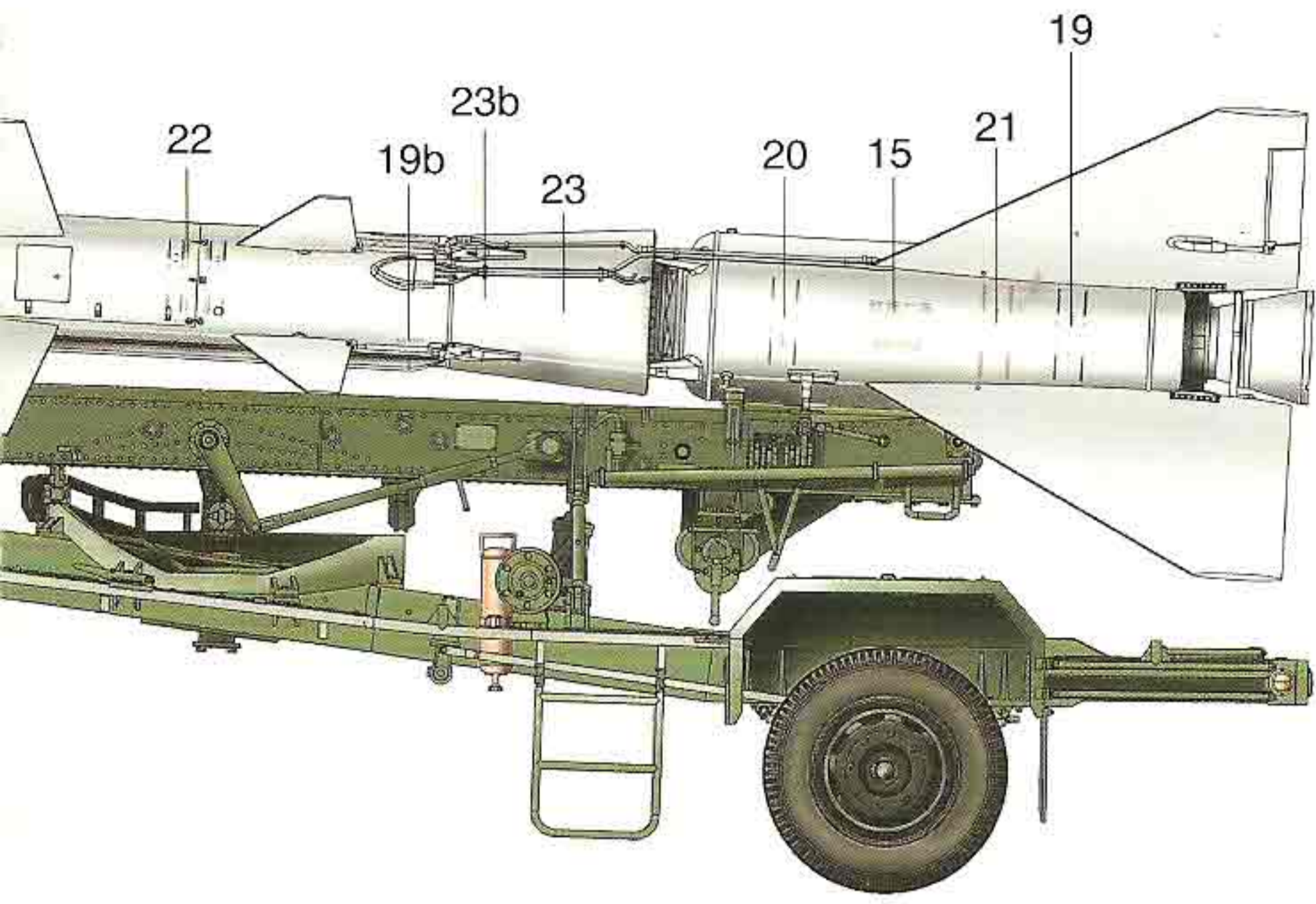


涂装同标贴指示
Painting & Marking guide

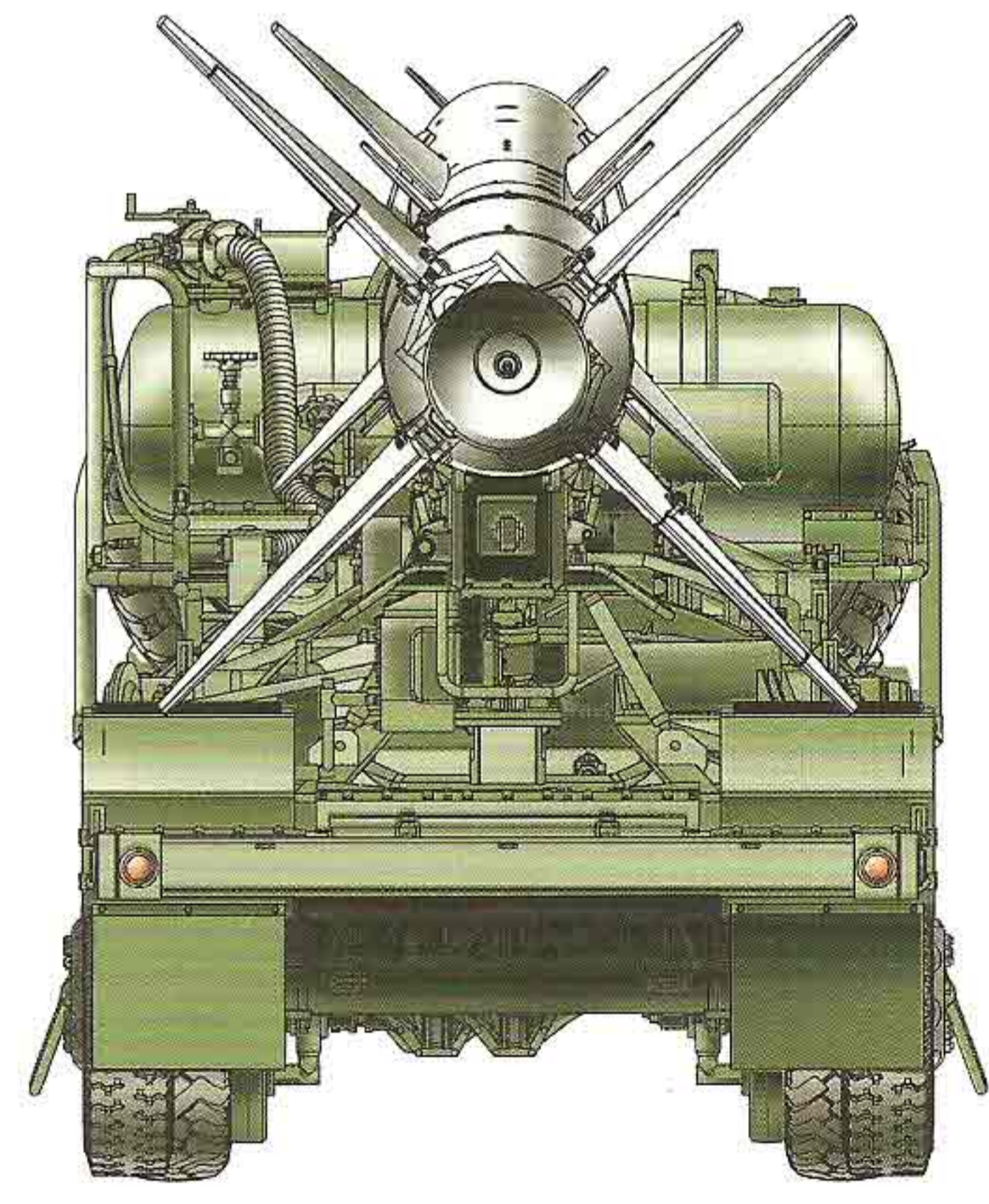
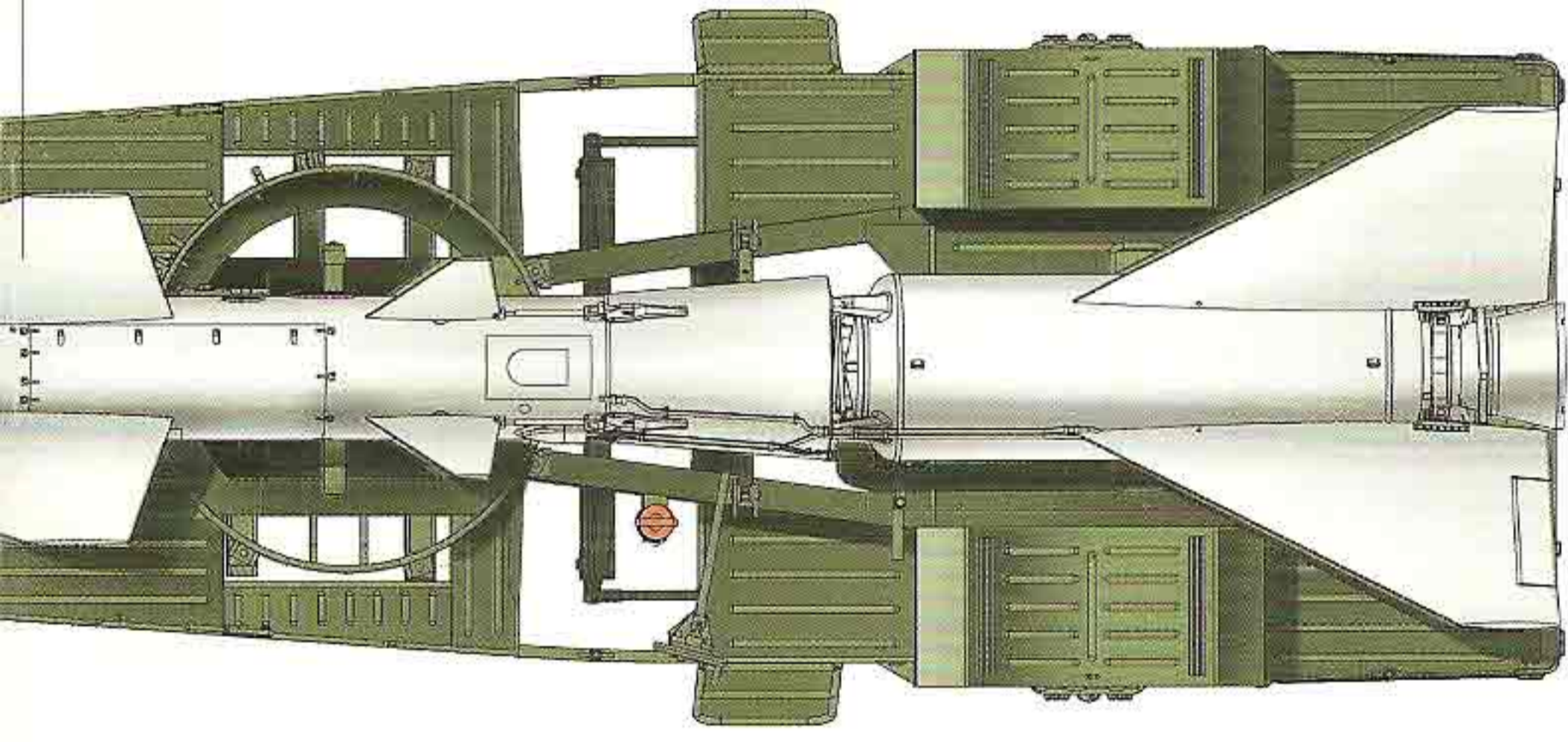
使用色: Testors MM and Gunze Sangyo colors used



浅灰色
Light navy grey



M2120
338 338 浅灰色
Light navy grey



MM2129
136
军绿色
Dark green

