

# USS TICONDEROGA CV-14

美国海军提康德罗加号航空母舰 CV-14

1:350 SCALE

READ BEFORE ASSEMBLY

- Study and understand these instructions thoroughly before beginning assembly. Make sure all parts are included by comparing them to those shown on pages 2 to 4 of these instructions.
- Remove parts from sprues as needed, and trim excess with a hobby knife. Be careful not to lose small parts.
- Remove photo-etch parts from sprue as needed using a hobby knife or photo etch cutter.
- Apply cement to photo etch parts as shown on instructions. Applying too much cement will restrict the operation of these

- movable parts. Apply cement carefully! Removed photo etch parts can have sharp edges. Take care when handling these to avoid injury.
- Apply decals to necessary parts prior to assembly.
- Additional tools recommended(not included):Sprue cutter,Long nose pliers, hobby knife, file, tweezers, pin vise, scissors, cement, sandpaper, soft cloth, glue and paint.
- Keep all parts out of reach of children, as they pose a choking hazard.
- Discard all unnecessary bags and sprues when model is completed to avoid accidental injury.

装配之前仔细阅读

- 小心用模型锉刀锉平所有零件表面的注射浇口。
- 小心用刀片切下蚀刻片零件，不要遗失小零件。
- 用强力快干胶水粘合蚀刻片零件和金属轴。过量的快干胶水使用可能导致可动零件会粘住，小心涂胶。
- 取蚀刻片时应特别注意安全，防止利边划伤手指。
- 某些零件表面需贴水上贴纸，请选择在装配的同时进行。
- 推荐模型工具(自备)：胶水，水口剪刀，长咀钳，刀片，锉刀，镊子钳，钻，剪刀，瞬间快干胶。
- 软布同砂纸同时也应该是必备工具。
- 请使用塑料胶水和油漆，模型内不含。
- 谨防小孩吸吮塑料零件，或者将塑料袋套在头上，制作时应将套材远离小孩接触。

水贴纸的使用:

1. 从水贴纸上剪下印花;
2. 将印花放入温水中浸10秒, 然后放在干净布上。
3. 拿着印花纸板将印花移到模型上;
4. 手指蘸水将印花移到适当的位置;
5. 用软布轻压印花直至水干, 汽泡消失。

DECAL APPLICATION

1. Cut off decal from sheet.
2. Dip the decal in tepid water 40°C for about 10 sec. and place on a clean cloth.
3. Hold the backing sheet edge and slide decal onto the model.
4. Move decal into position by wetting decal with finger.
5. Press decal gently down with a soft cloth until excess water and air bubbles are gone.



cyanoacrylate glue  
使用强力胶



weight  
配重



make hole  
钻孔



cut / remove  
切除



option  
选择



no cement  
不涂胶水



decal  
贴纸

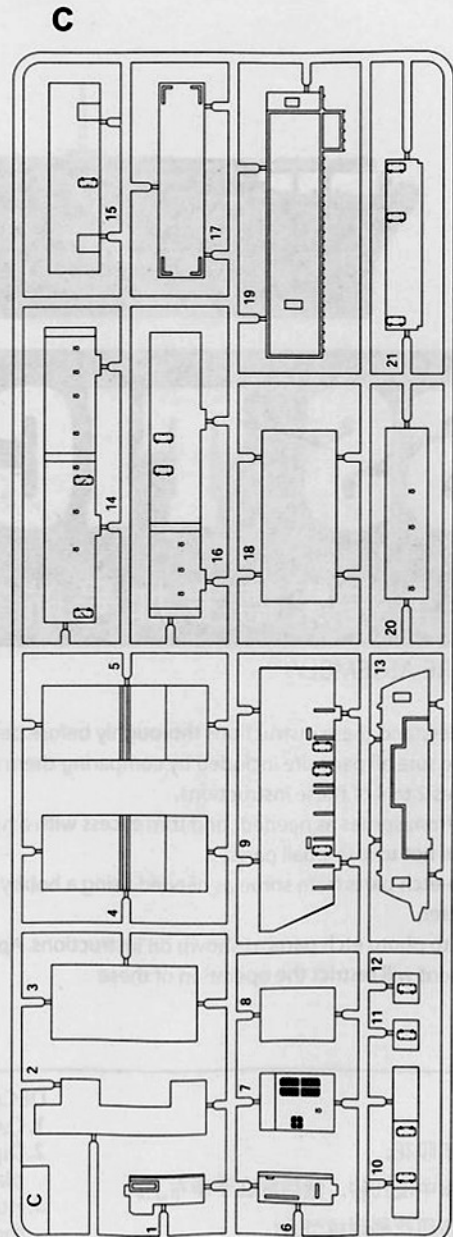
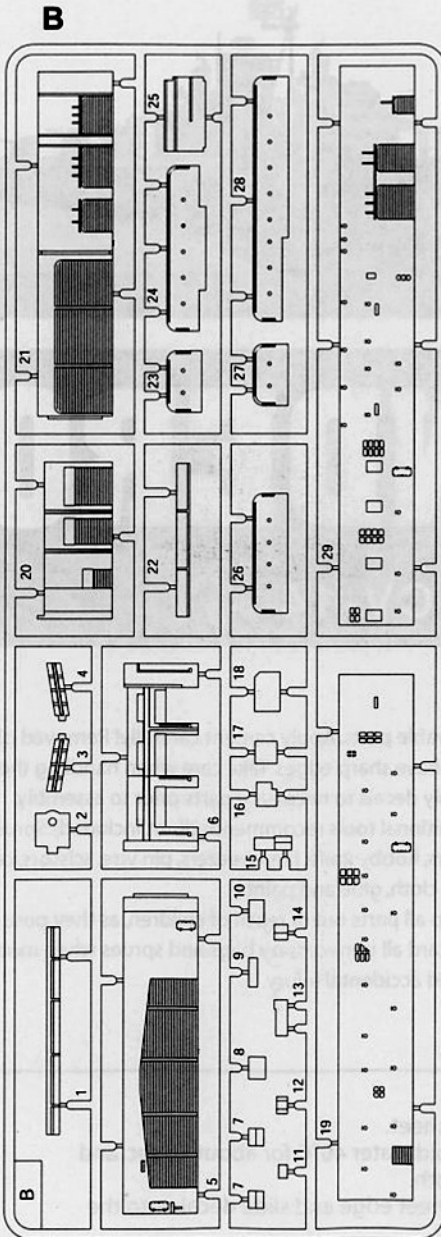
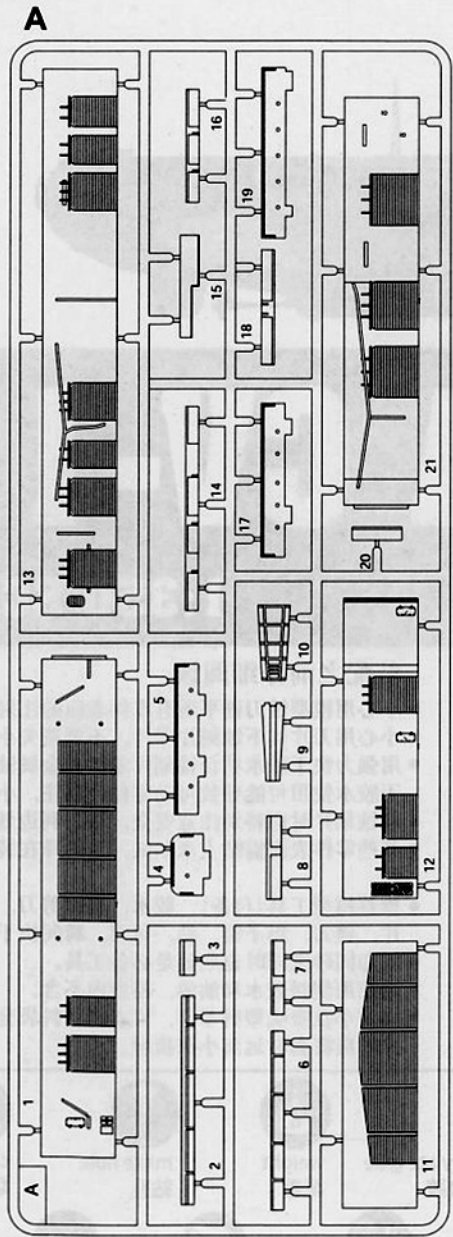


bend  
弯曲



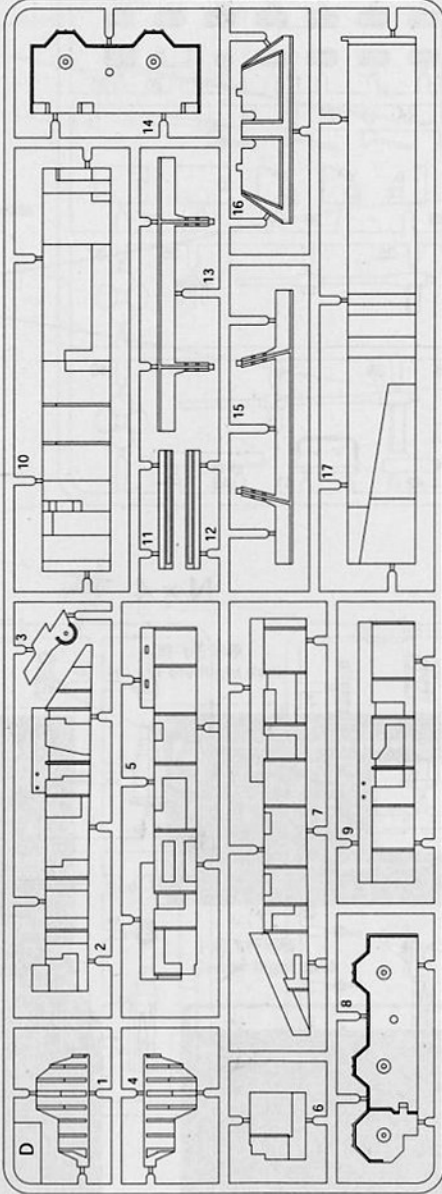
file / sand  
锉平

# 部品图 Parts

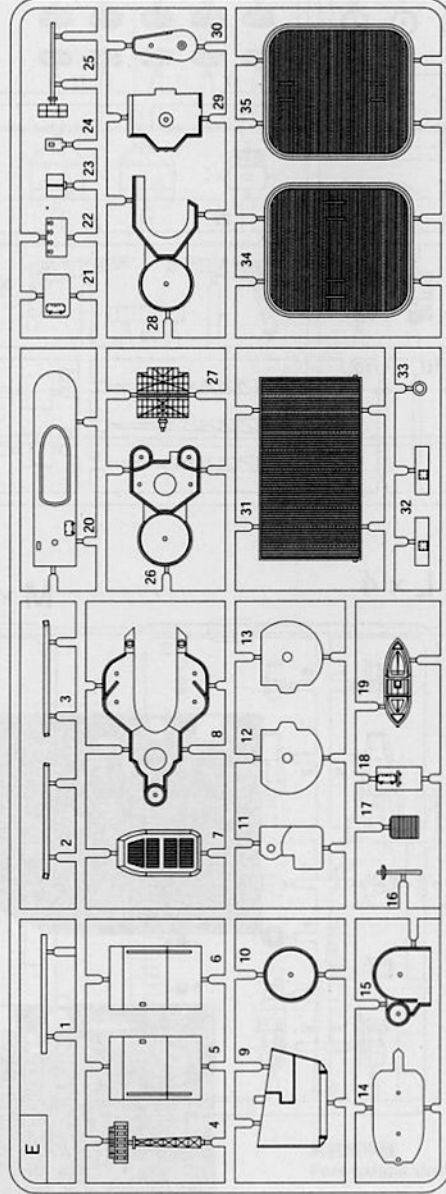


部品图 Parts

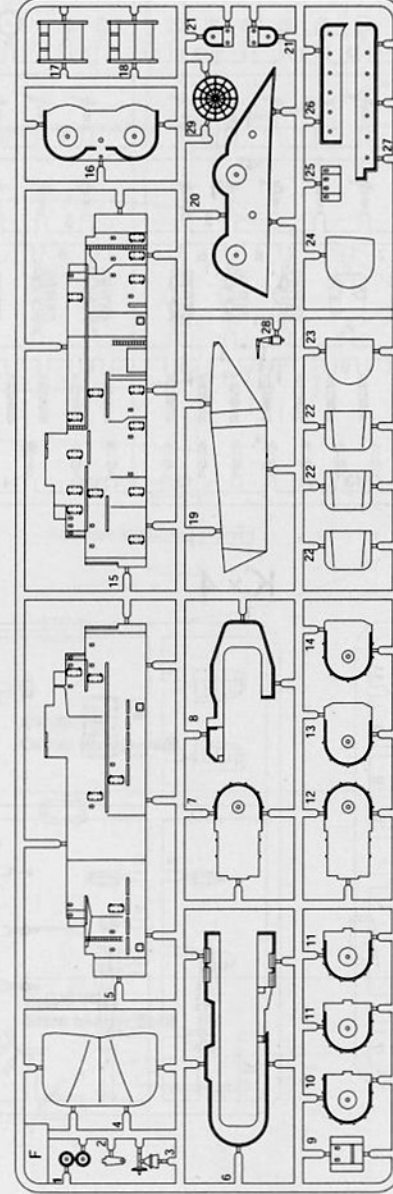
D



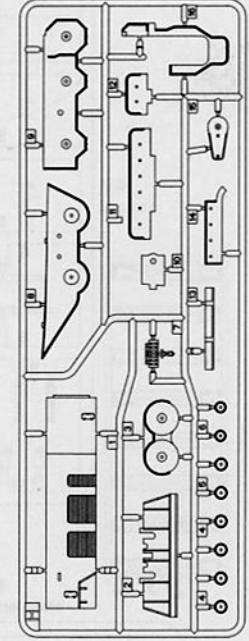
E



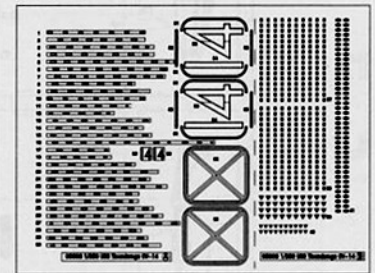
F



H

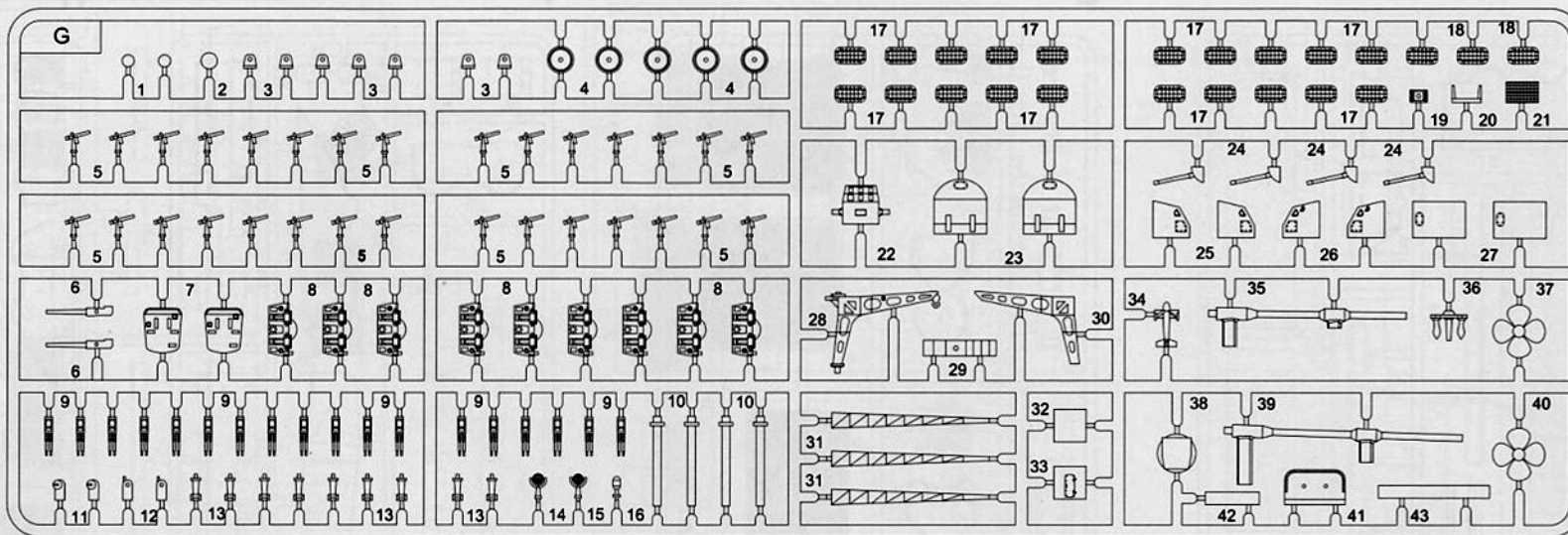


水贴纸

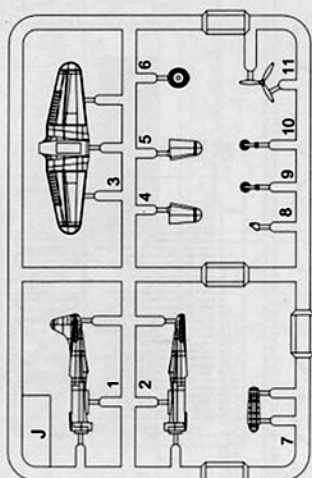


# 部品图 Parts

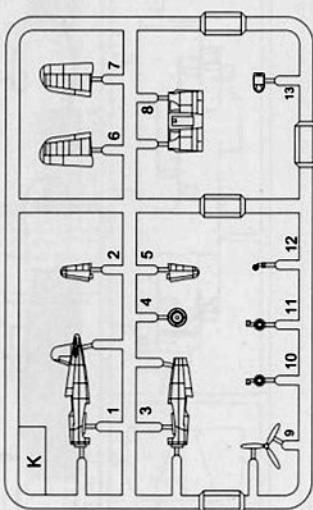
G × 2



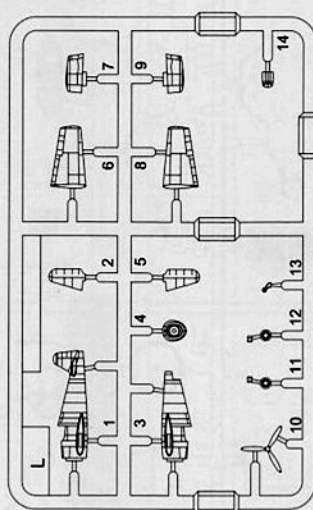
J × 4



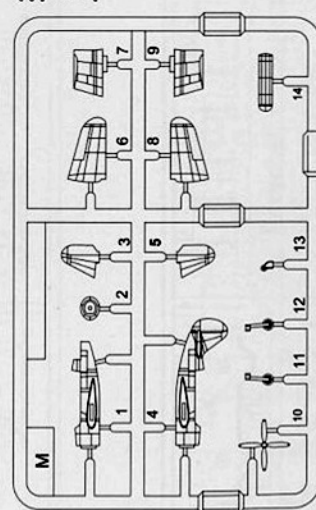
K × 4



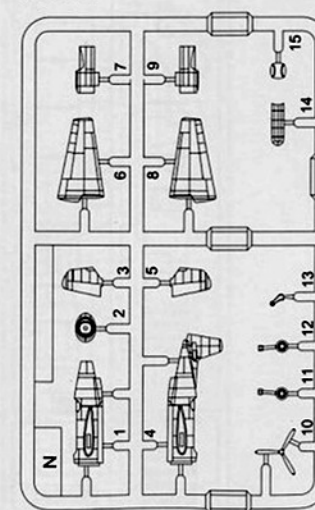
L × 4



M × 4

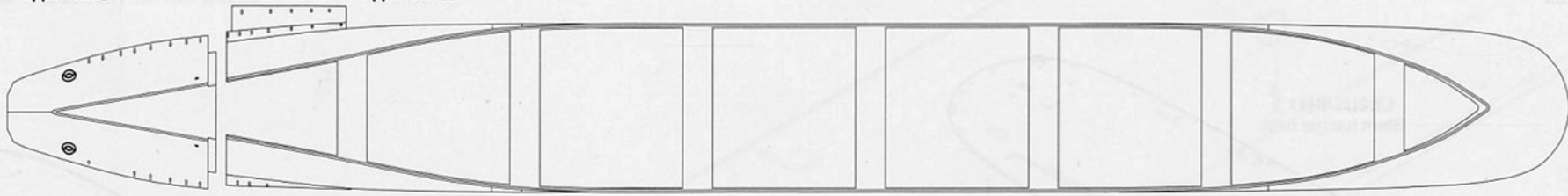


N × 4



船体 I  
Upper hull I

船体 II  
Upper hull II



水线板  
Waterline plate



船底  
Lower full



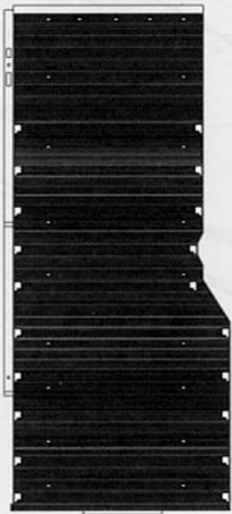
座架  
Stand



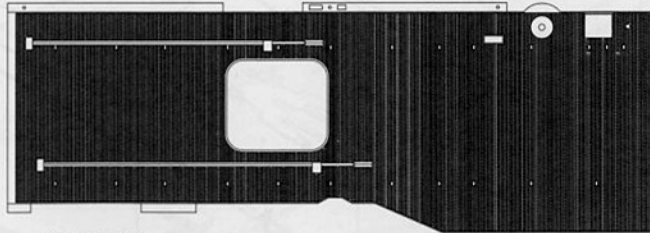
铭牌  
Name plate

1:350 SCALE US NAVY CV-14  
USS TICONDEROGA

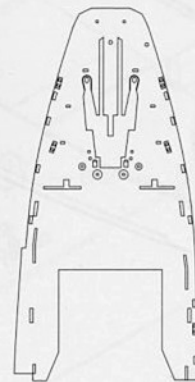
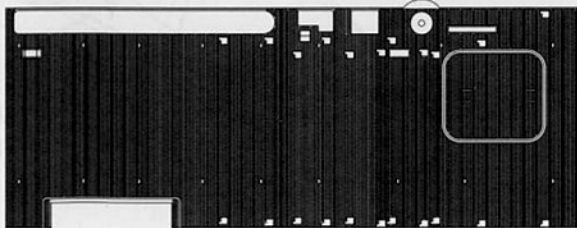
后飞行甲板  
Aft flight deck



前飞行甲板  
Fore flight deck



中间飞行甲板  
Center flight deck



前机库甲板  
Fore hangar deck

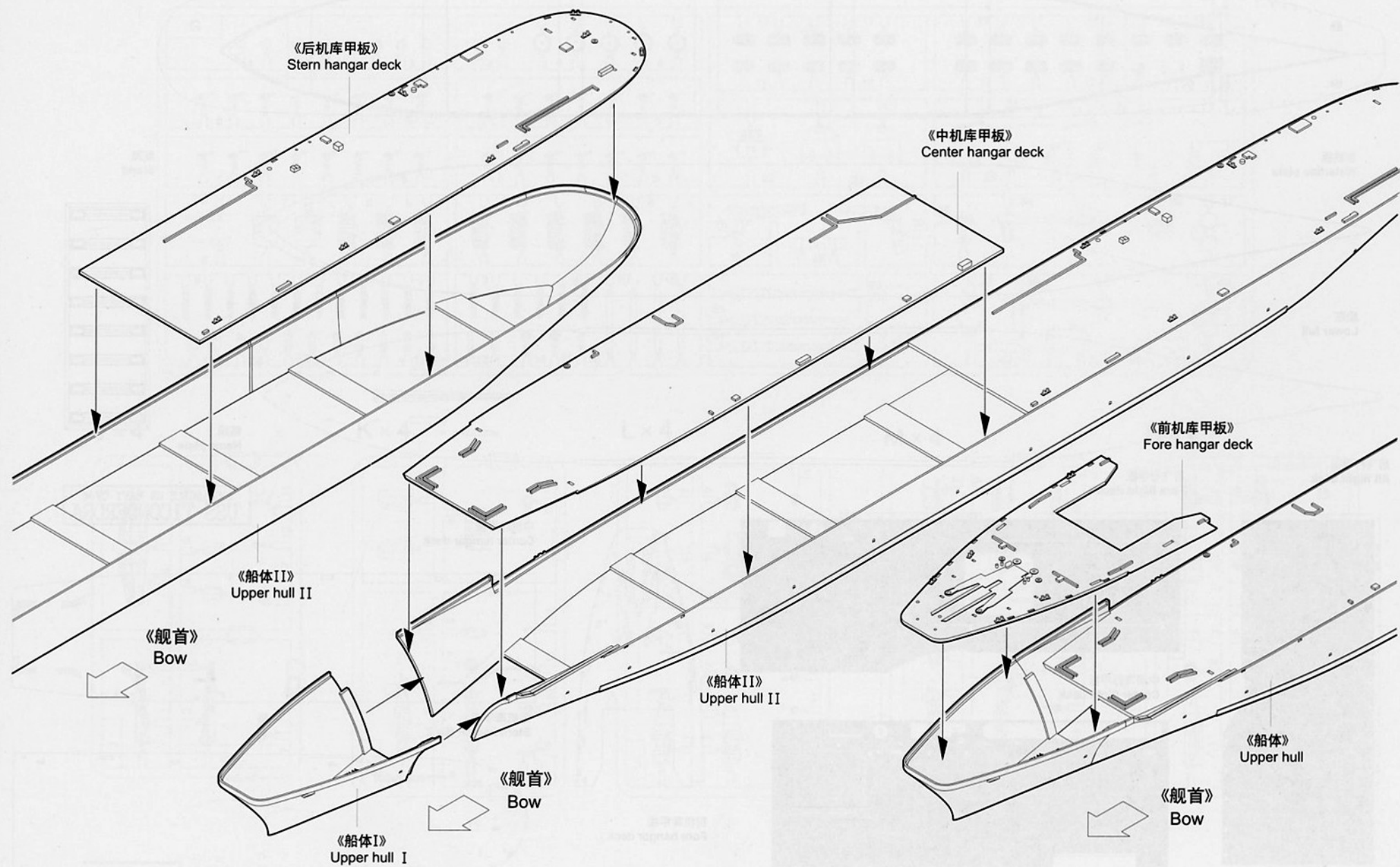
中机库甲板  
Center hangar deck



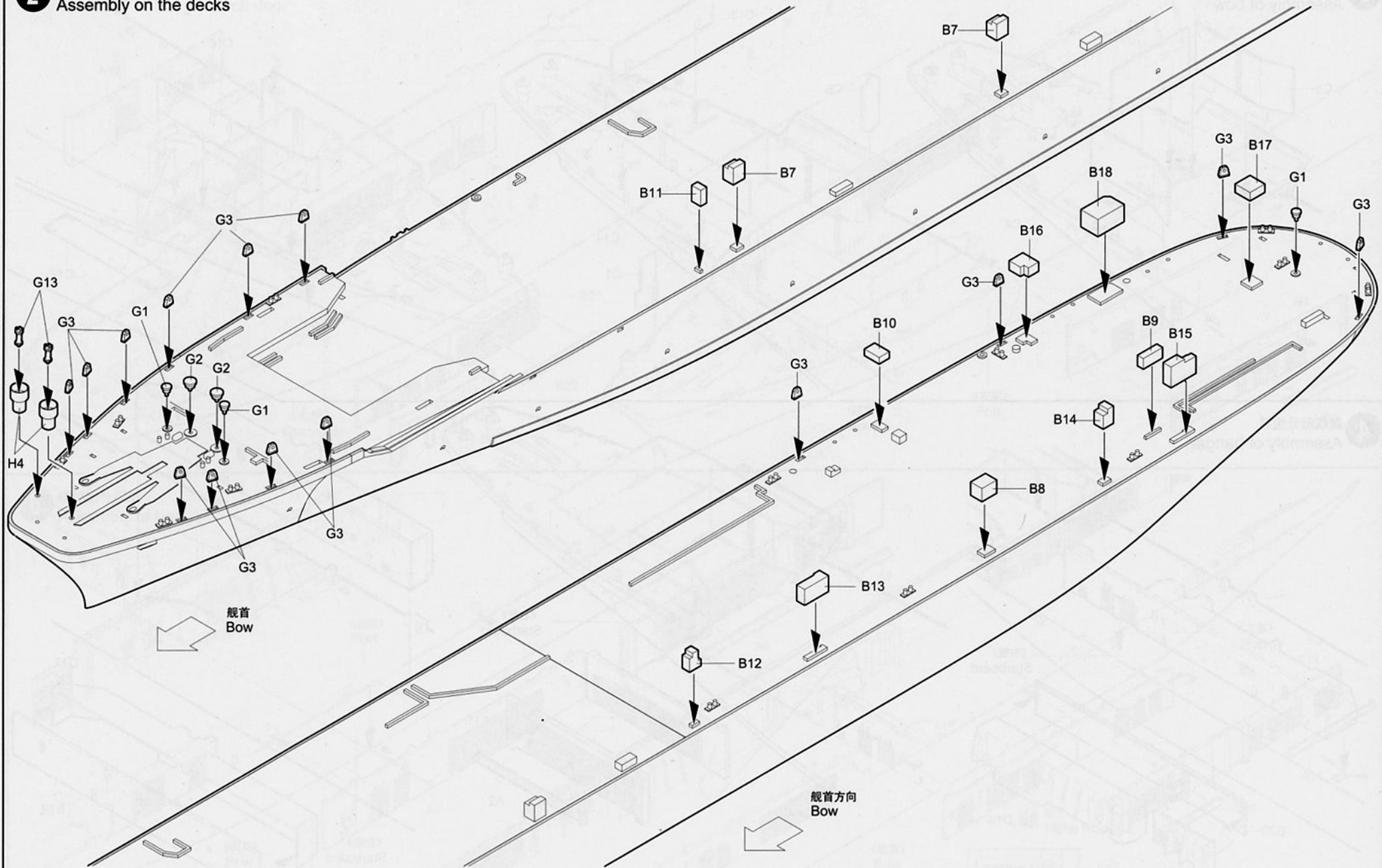
后机库甲板  
Stern hangar deck



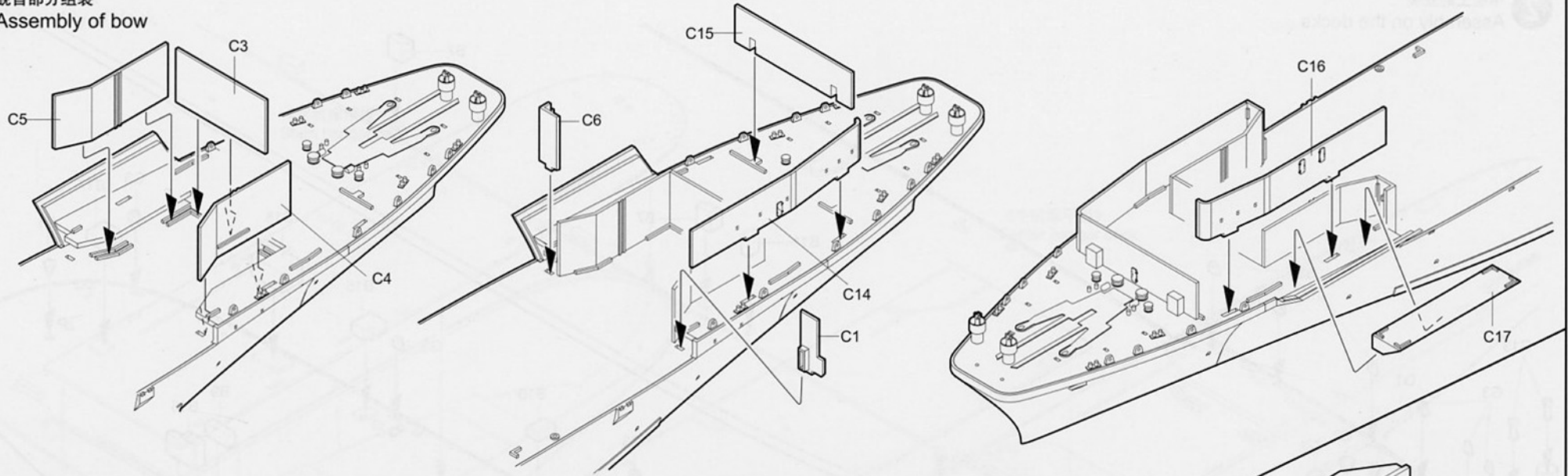
1 甲板的组装  
Assembly of deck



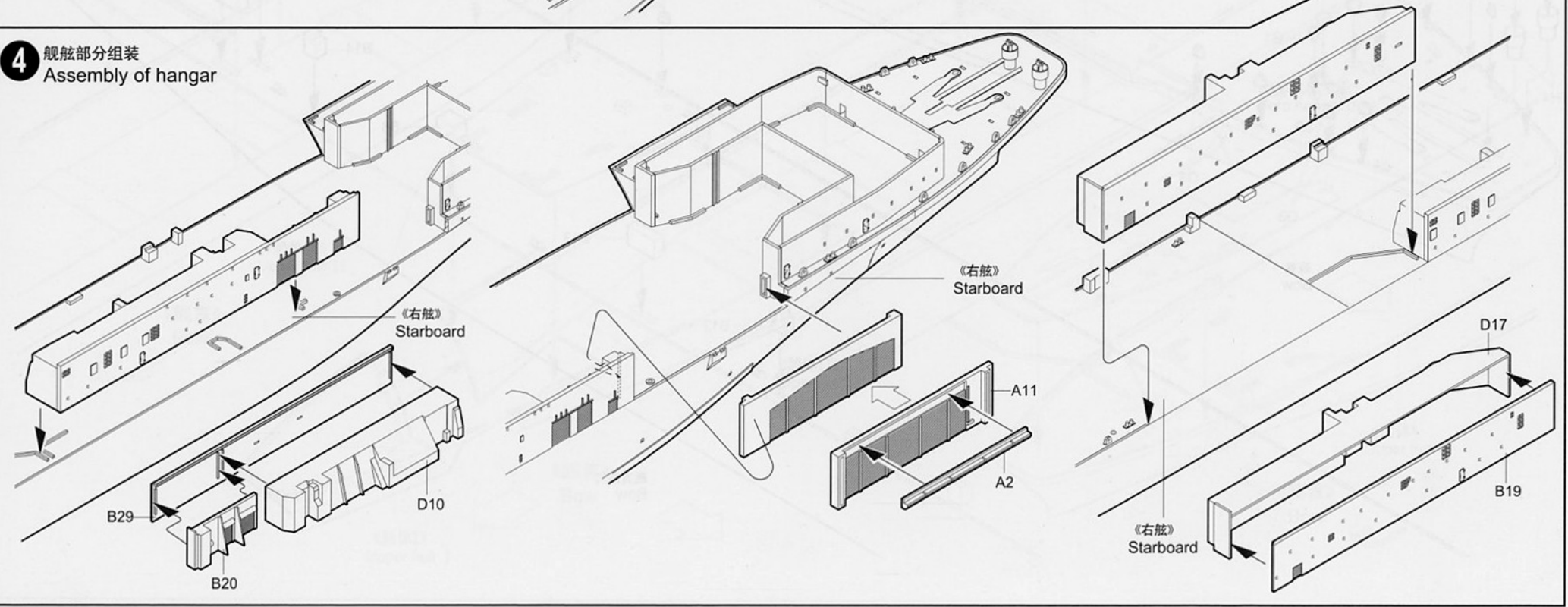
**2** 甲板上的安装  
Assembly on the decks



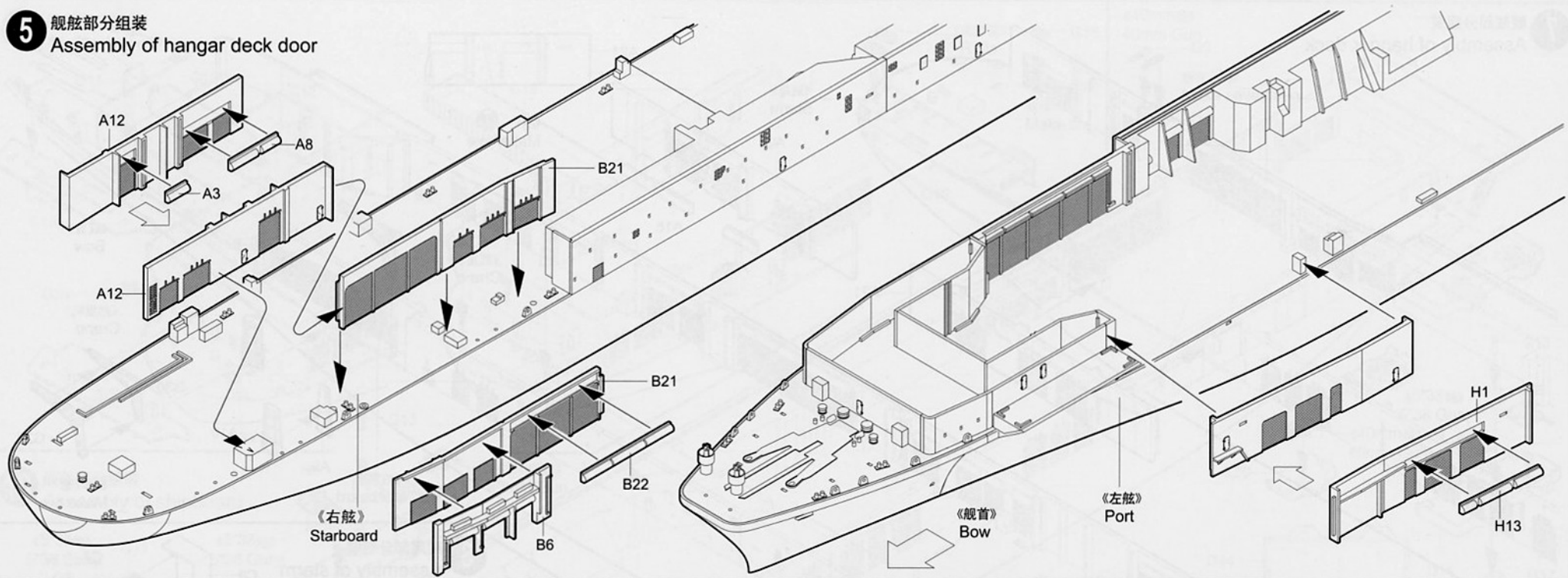
**3** 舰首部分组装  
Assembly of bow



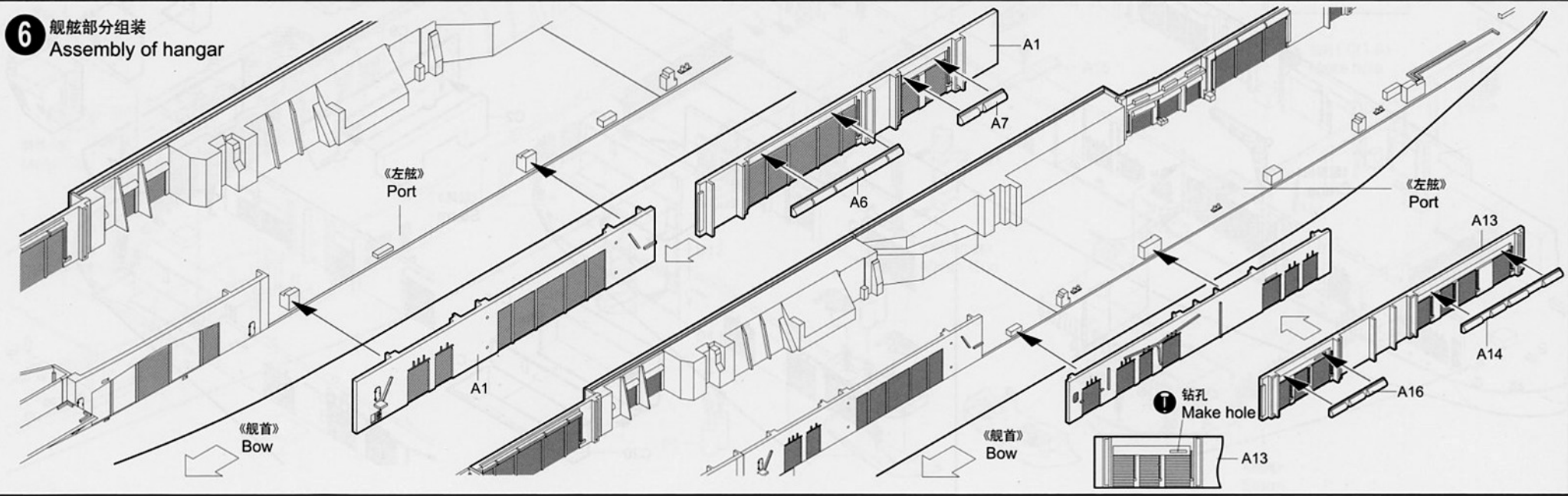
**4** 舰舷部分组装  
Assembly of hangar



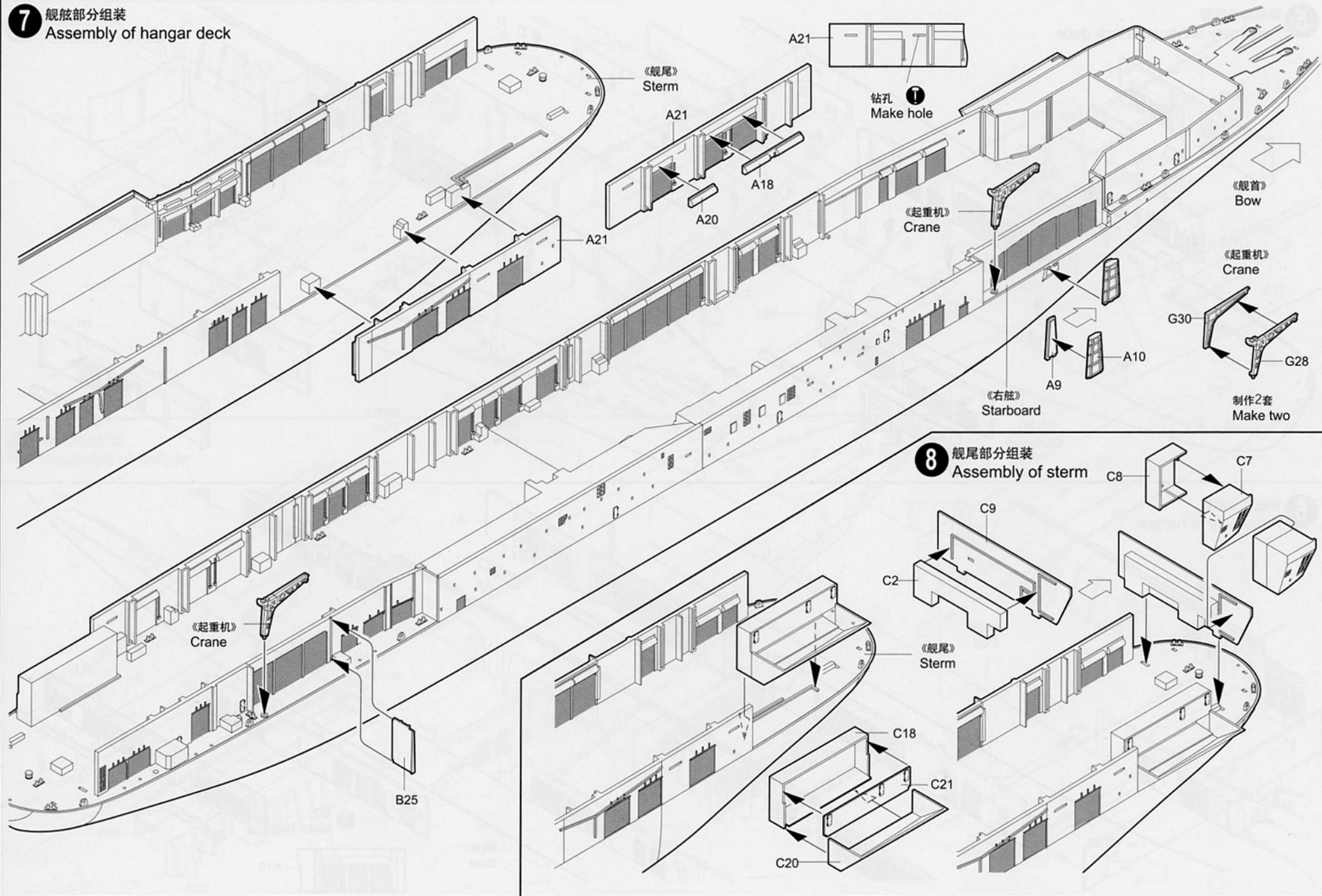
**5** 舰舷部分组装  
Assembly of hangar deck door



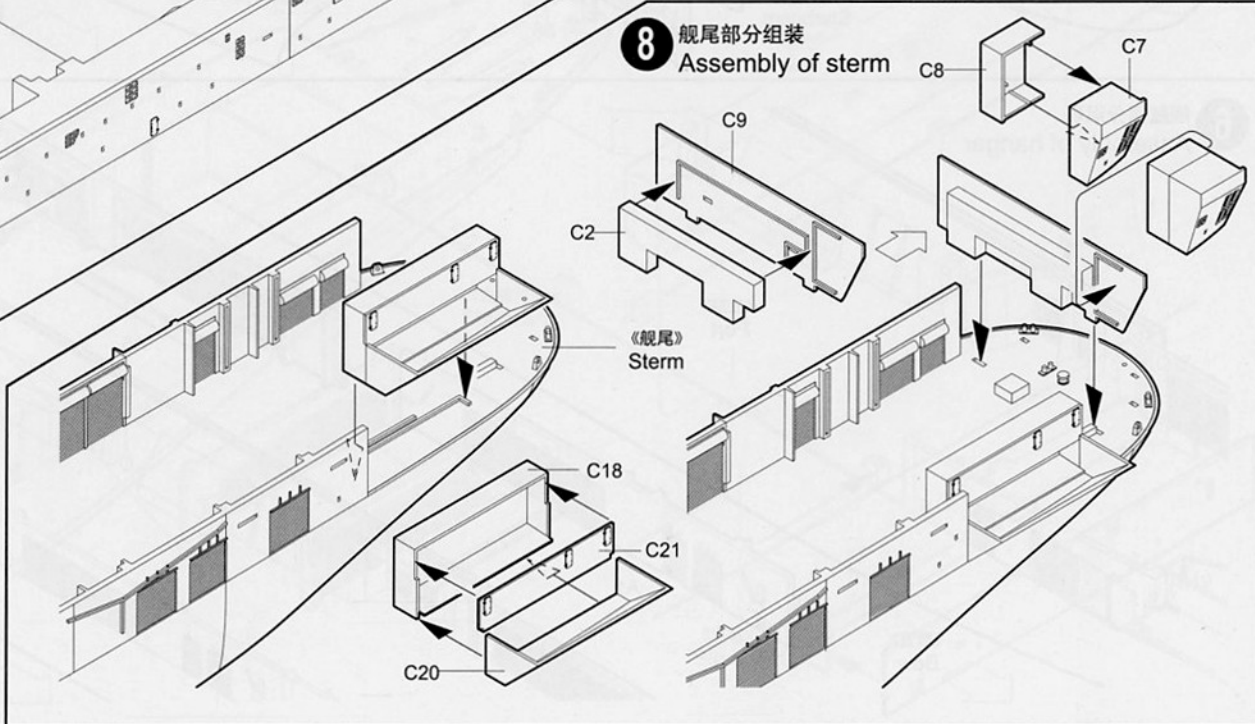
**6** 舰舷部分组装  
Assembly of hangar



**7** 舰舷部分组装  
Assembly of hangar deck

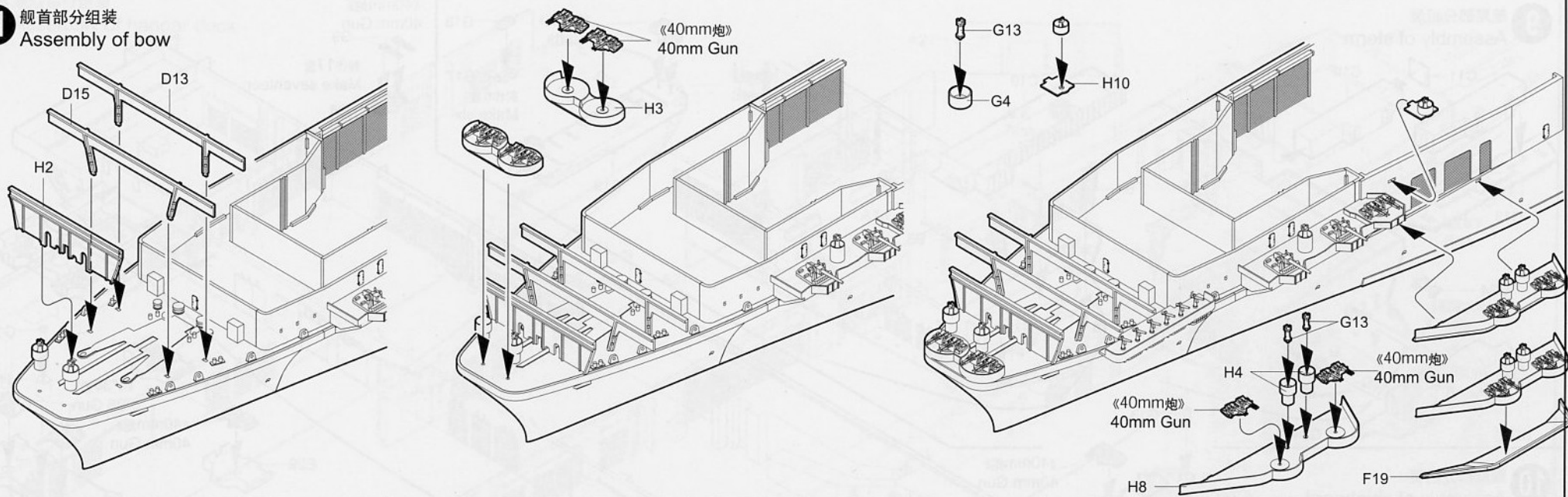


**8** 舰尾部分组装  
Assembly of stern

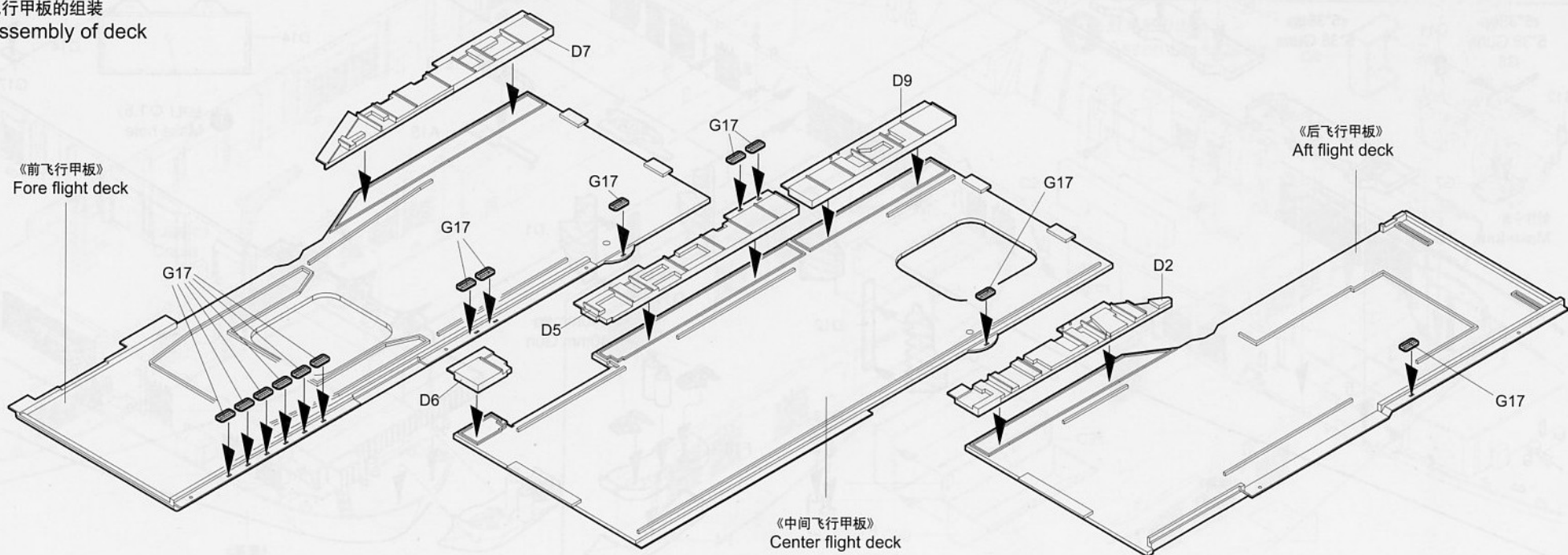




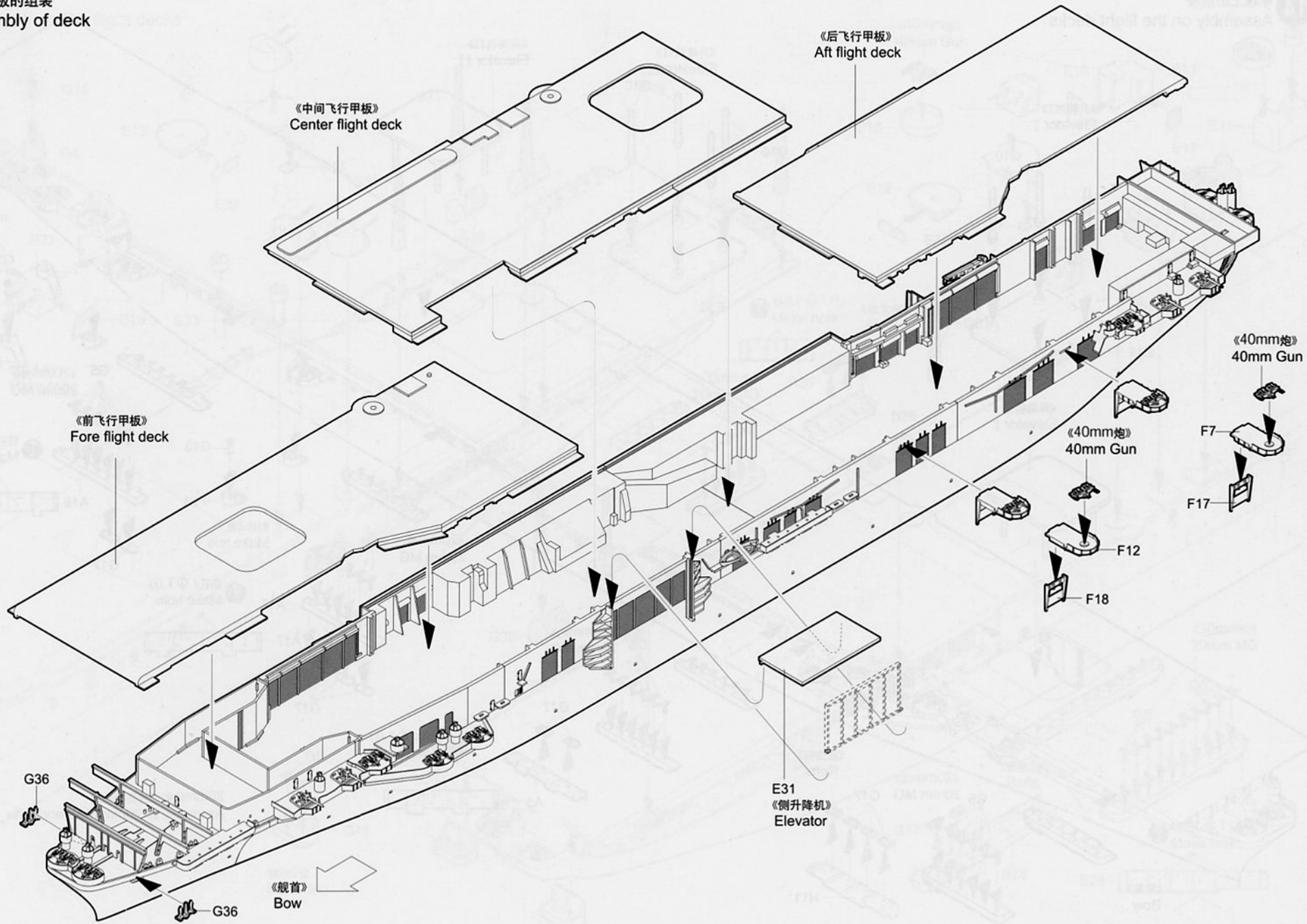
**11** 舰首部分组装  
Assembly of bow



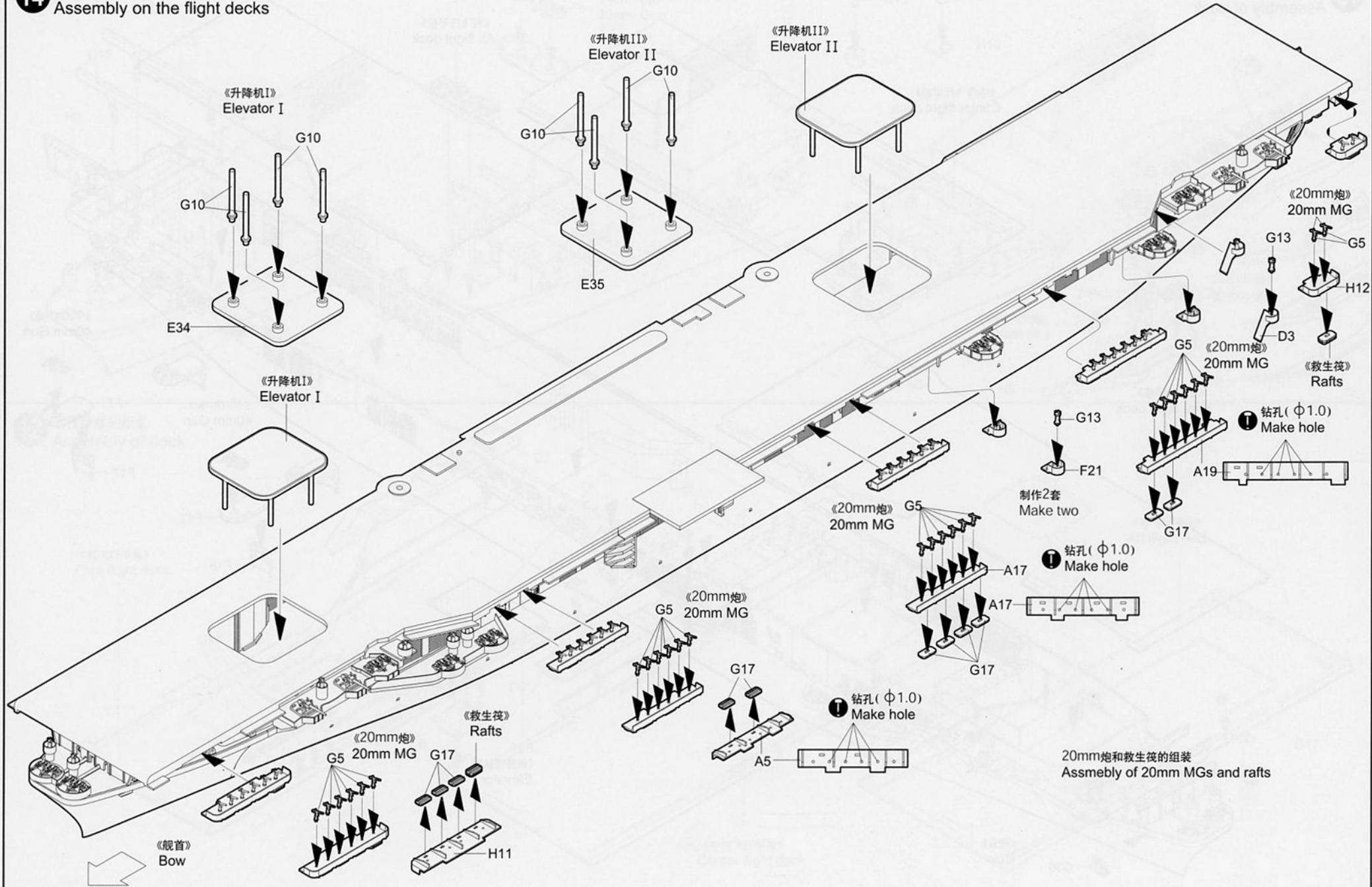
**12** 飞行甲板的组装  
Assembly of deck



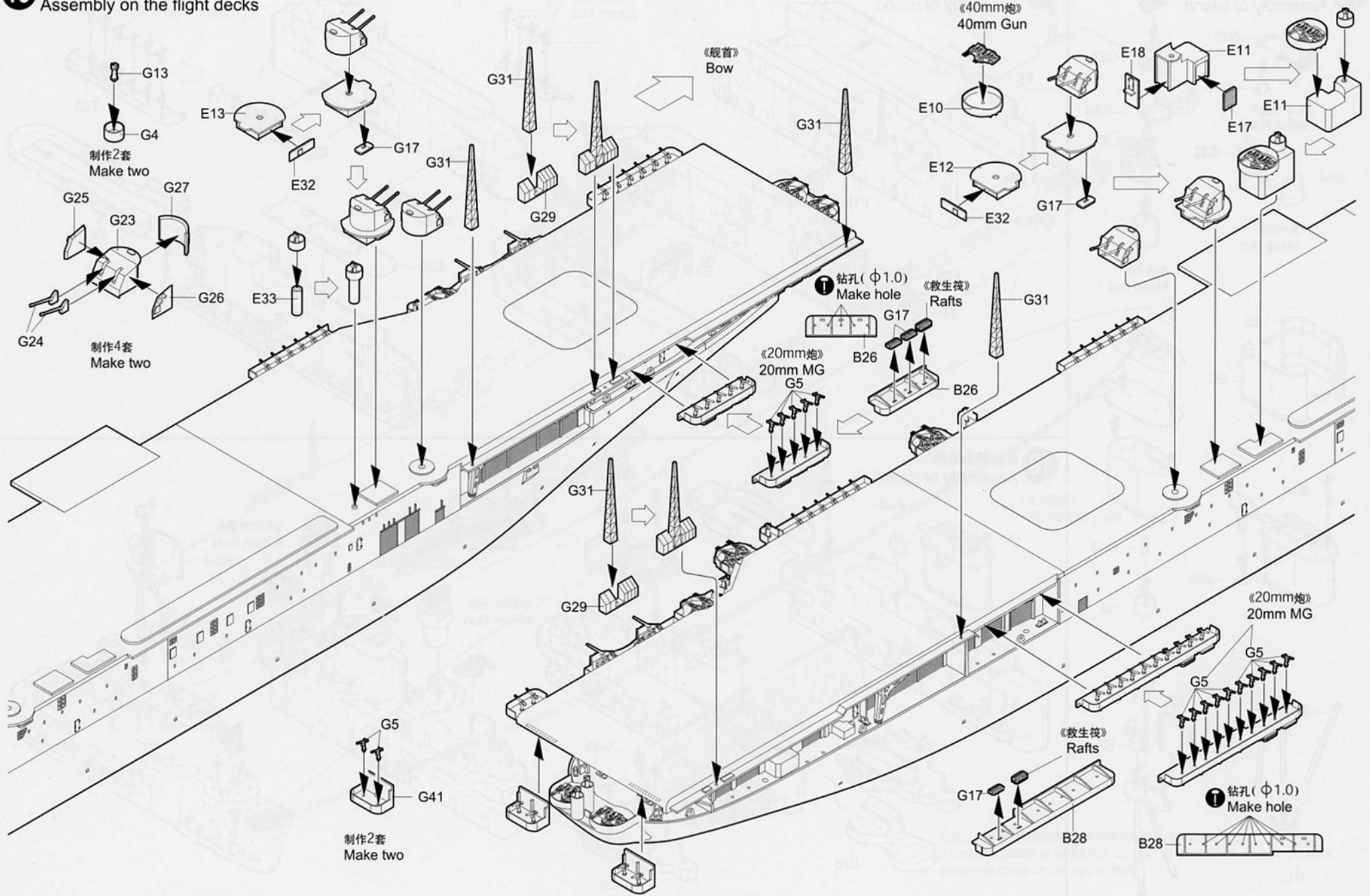
13 飞行甲板的组装  
Assembly of deck



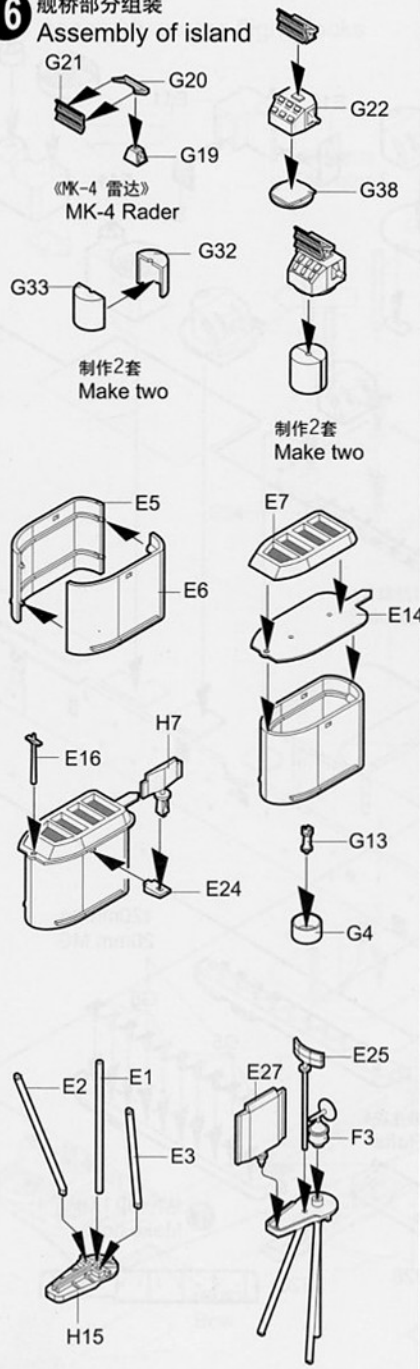
**14** 甲板上的组装  
Assembly on the flight decks



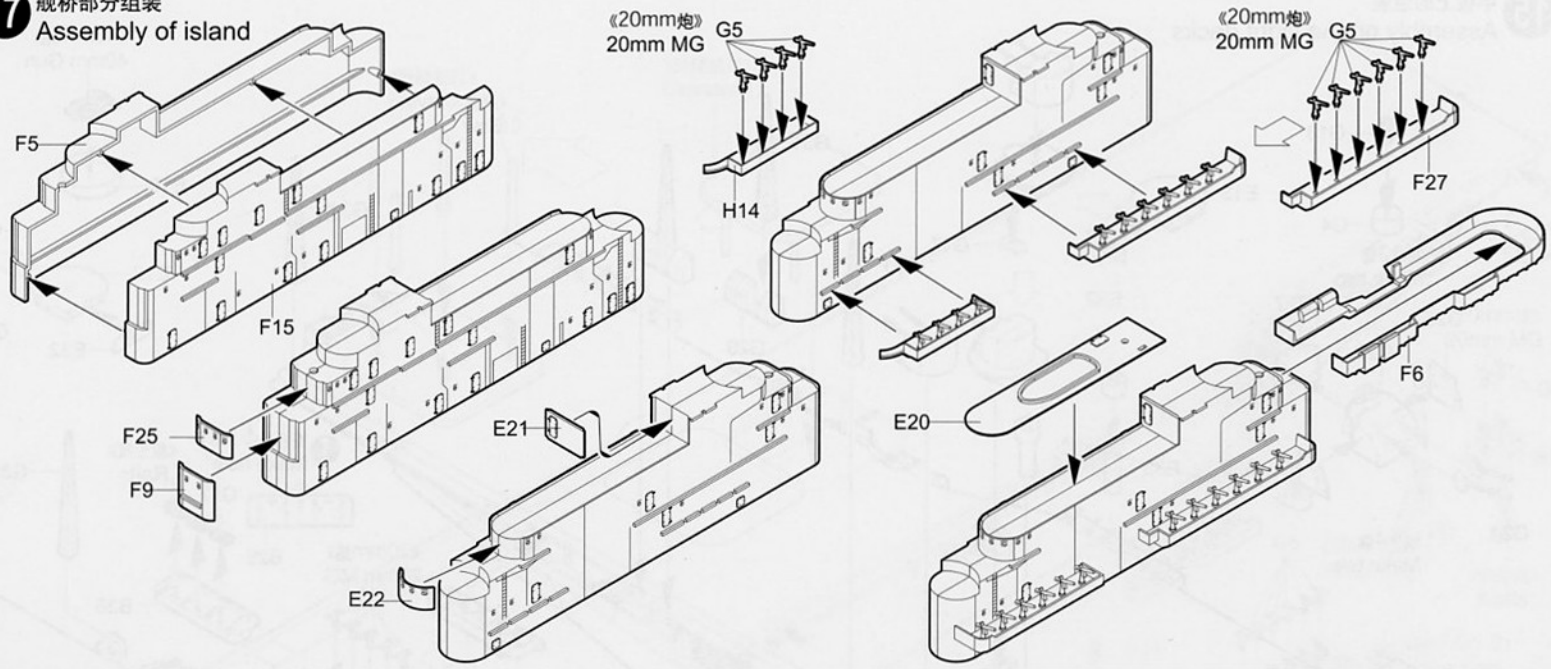
**15** 甲板上的组装  
Assembly on the flight decks



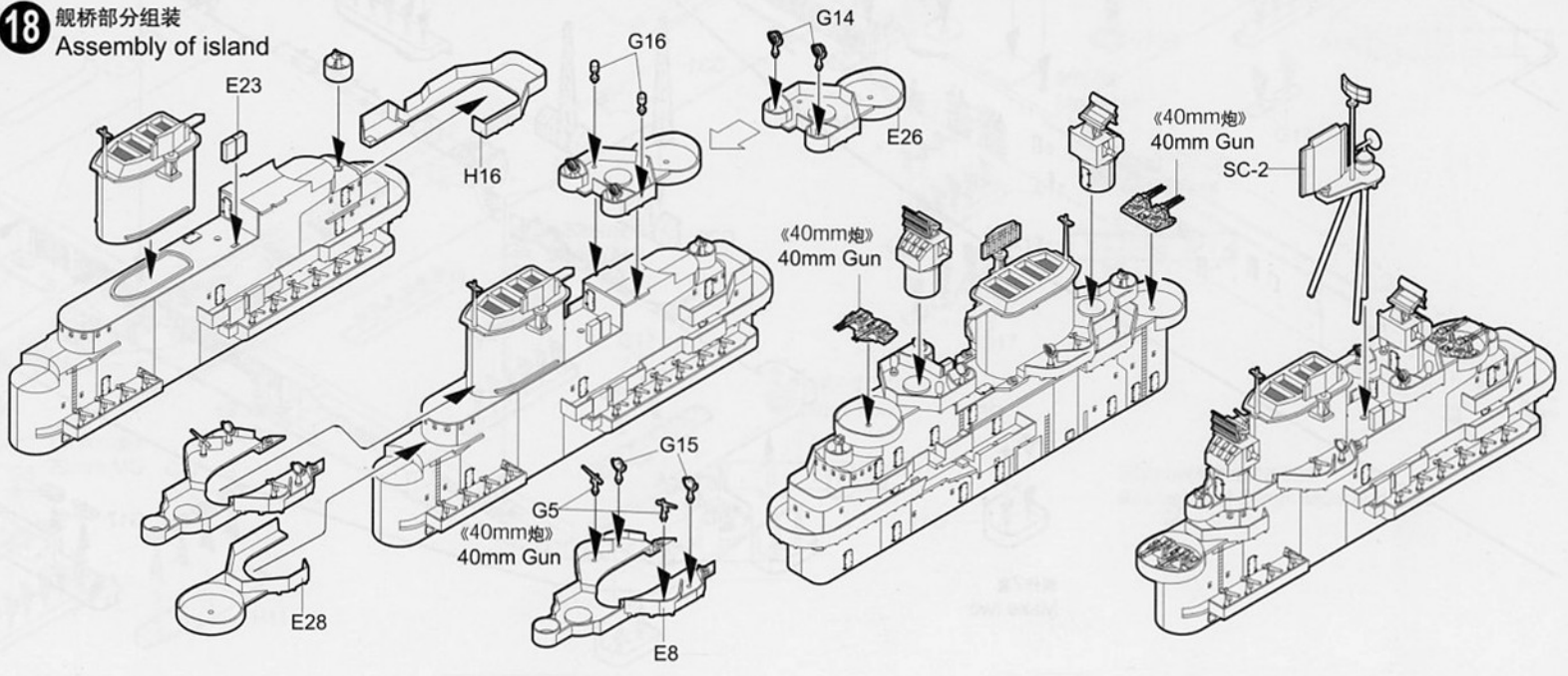
**16** 舰桥部分组装  
Assembly of island

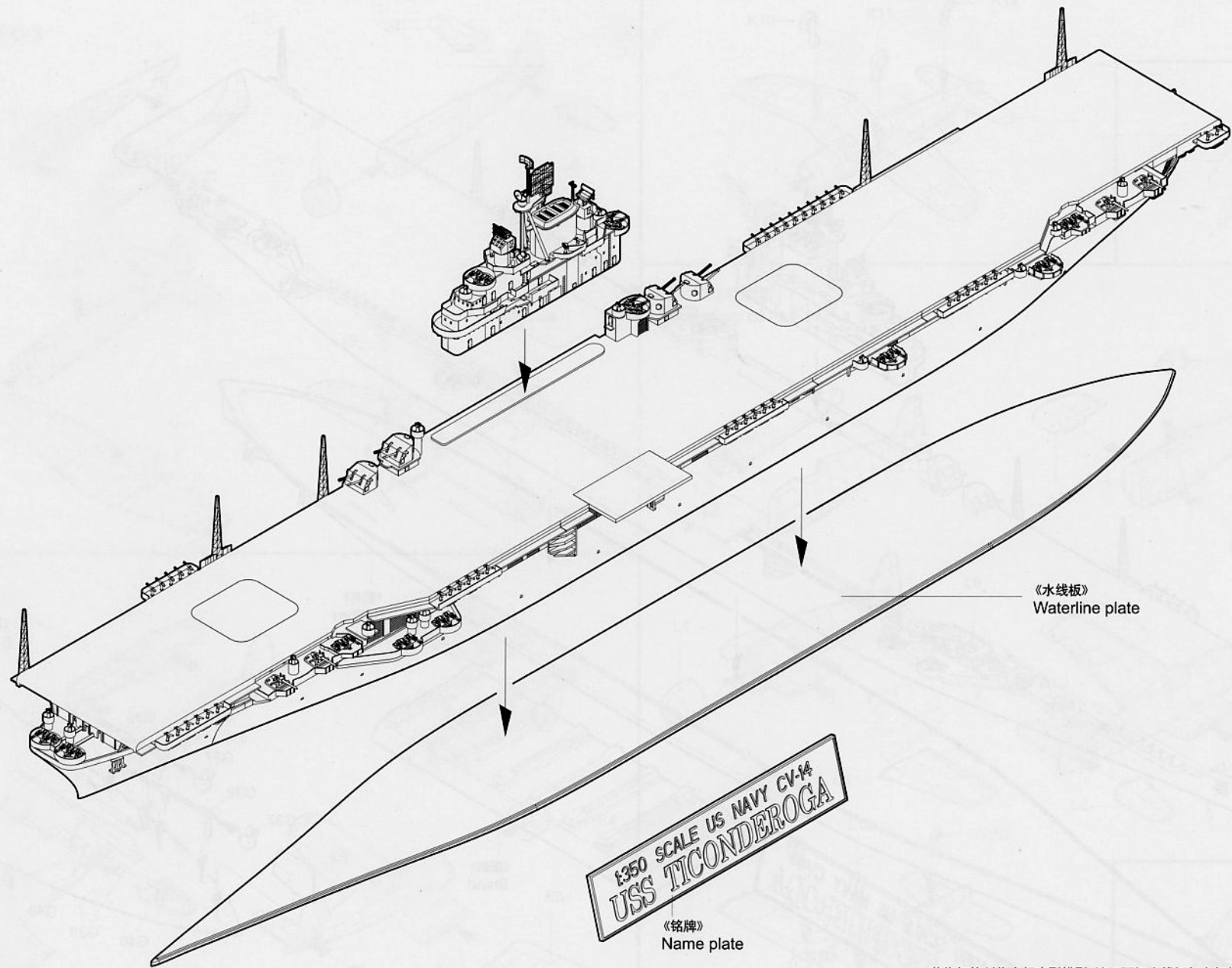


**17** 舰桥部分组装  
Assembly of island

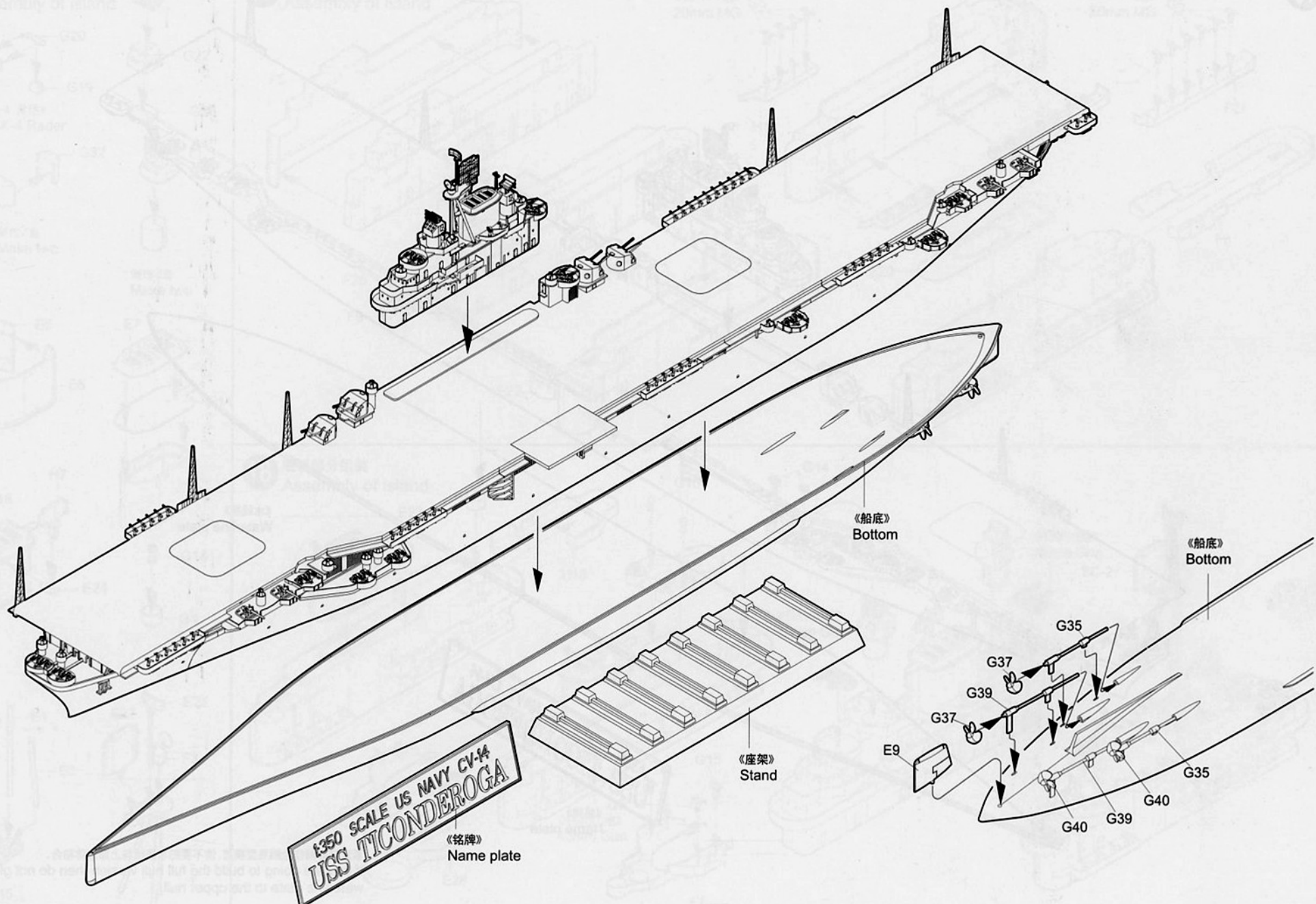


**18** 舰桥部分组装  
Assembly of island

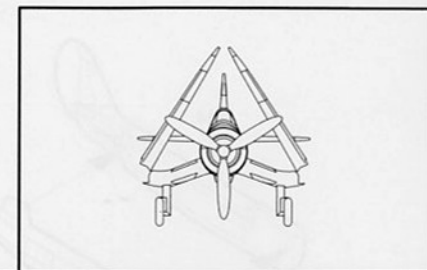
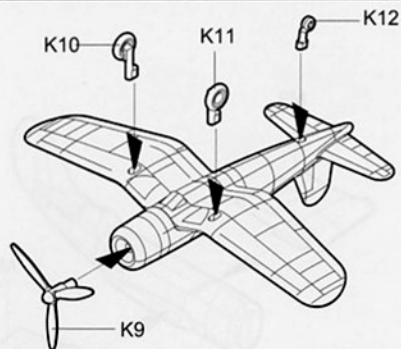
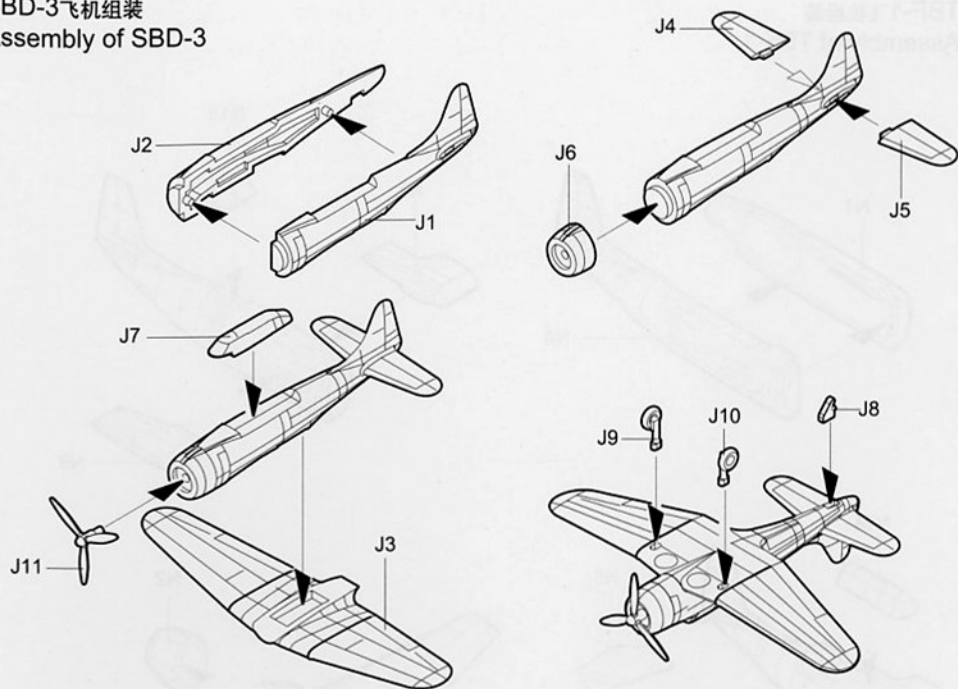




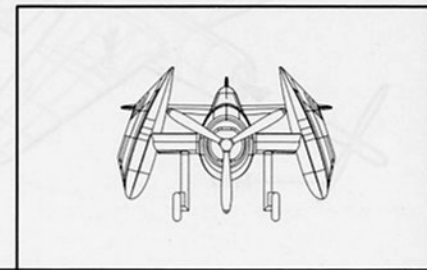
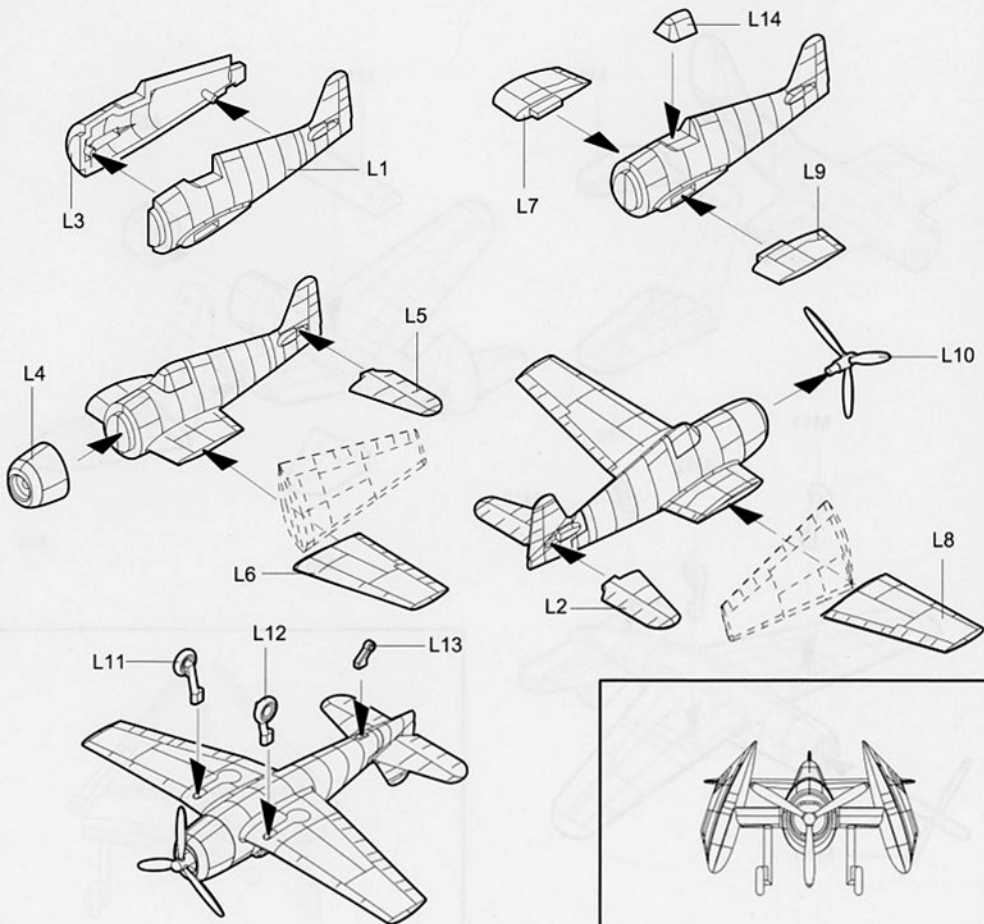
若您打算制作全船底型模型, 请不要把水线板与上部船体粘合。  
If you are going to build the full hull version then do not glue the waterline plate to the upper hull.



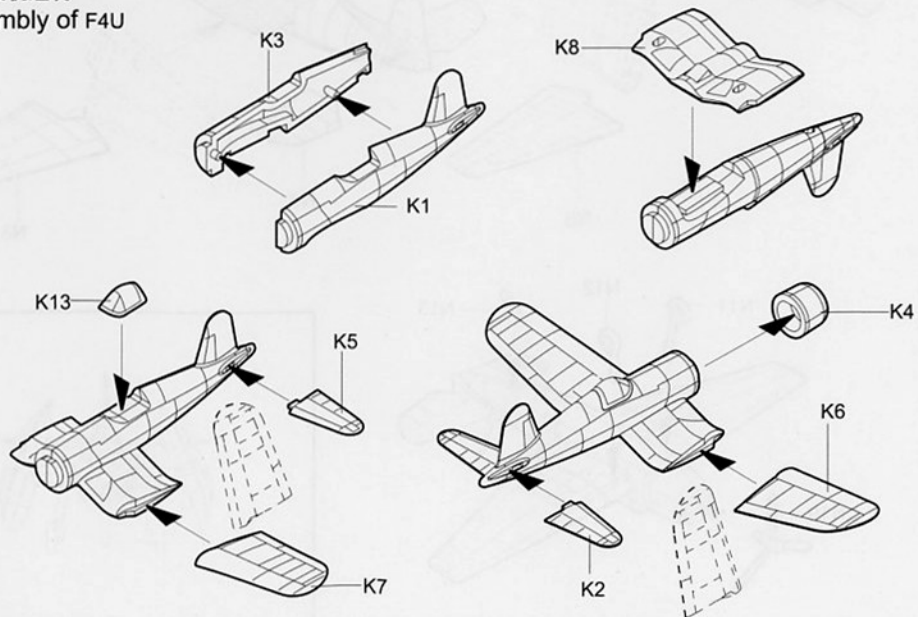
SBD-3飞机组装  
Assembly of SBD-3



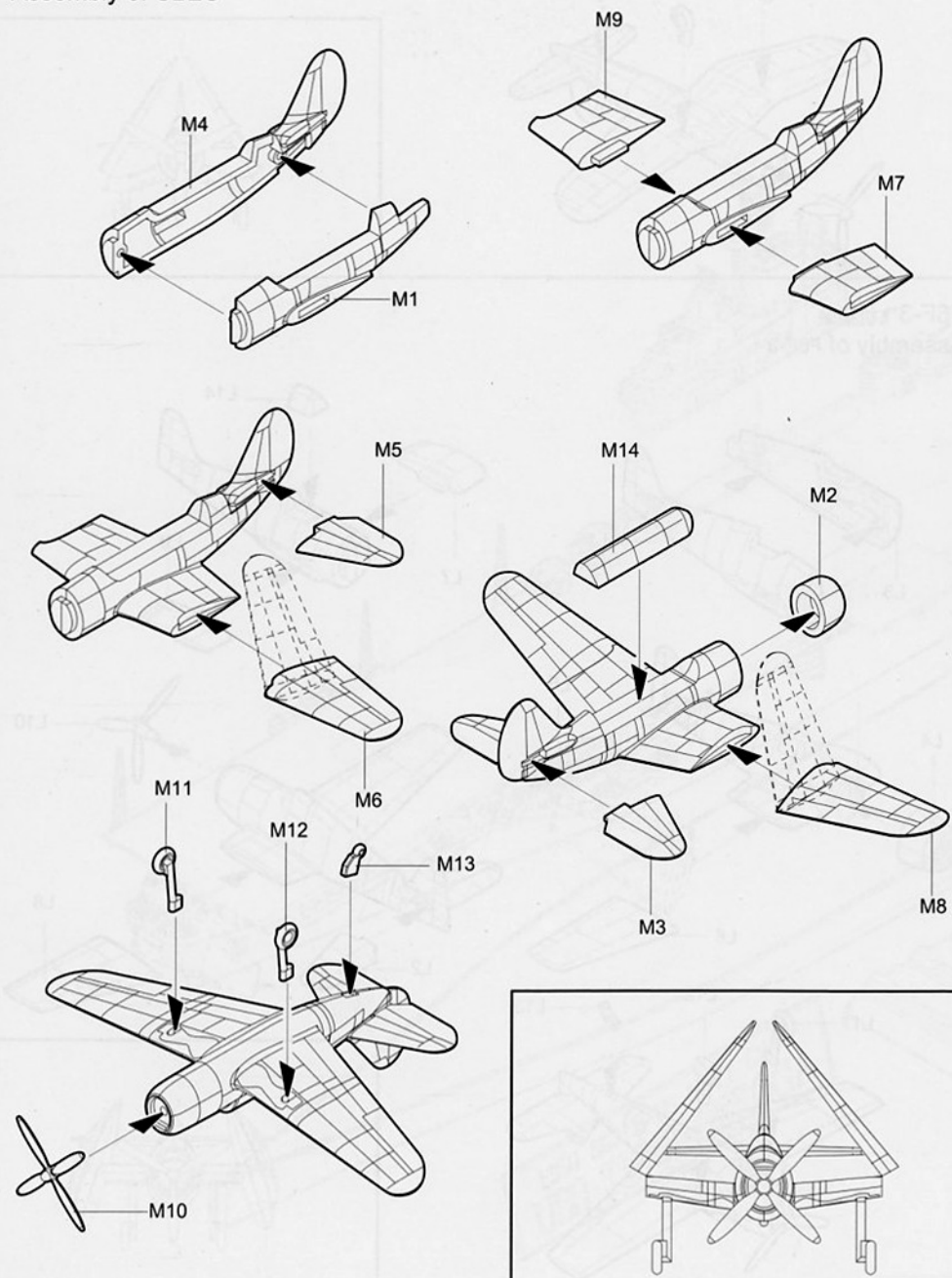
F6F-3飞机组装  
Assembly of F6F-3



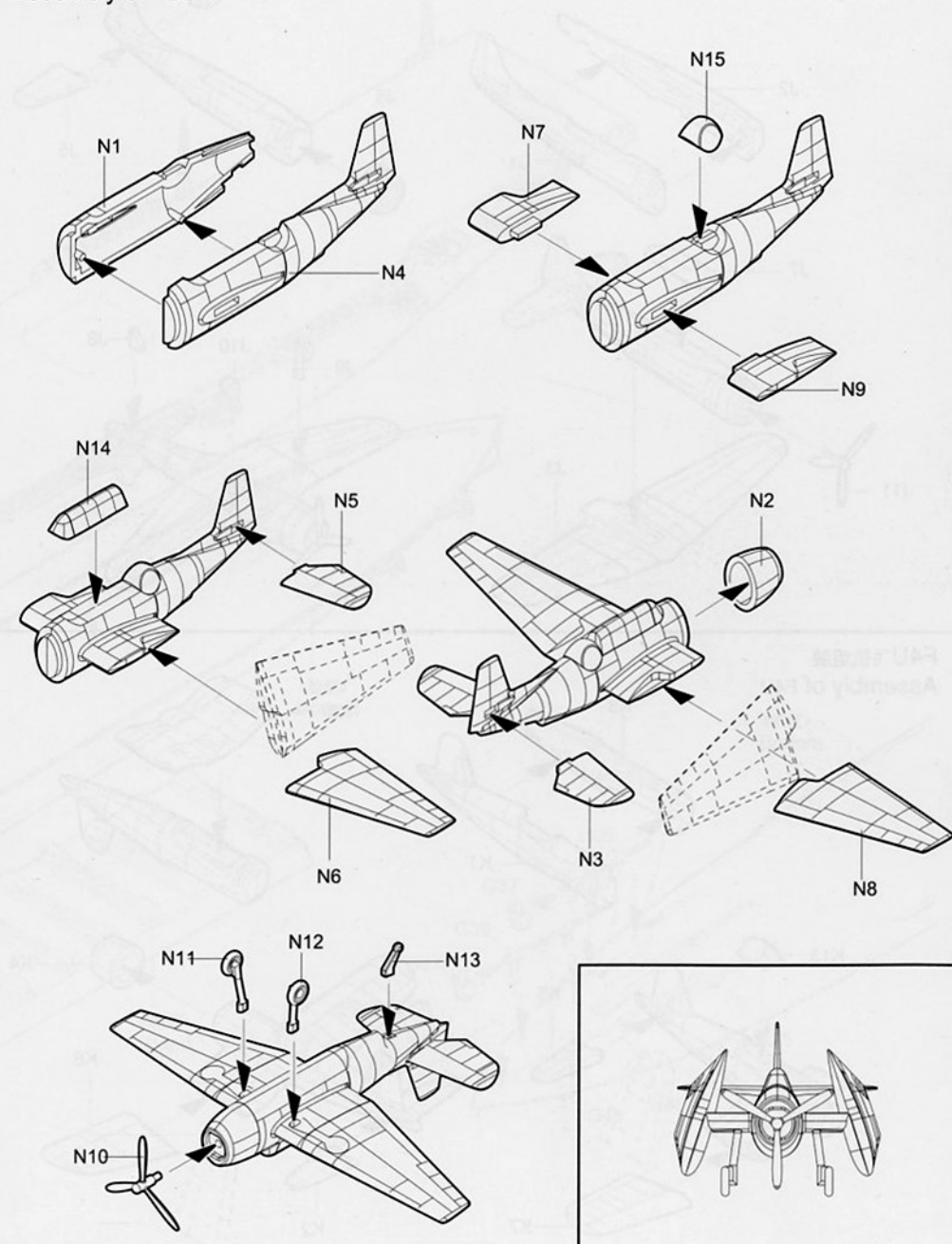
F4U飞机组装  
Assembly of F4U



SB2C飞机组装  
Assembly of SB2C



TBF-1飞机组装  
Assembly of TBF-1



涂装同标贴指示  
Painting & Marking guide

郡仕色使用 Gunze Mr. color used

H 9 9	金色	Gold	H 17 29	舰底色	Hull red
H 42 72	海洋灰	Ocean gray	H 338338	浅灰色	Dark gray
H 12 33	消光黑	Flat black	365	甲板蓝	Deck blue
H 55 71	海蓝色	Sea blue			

