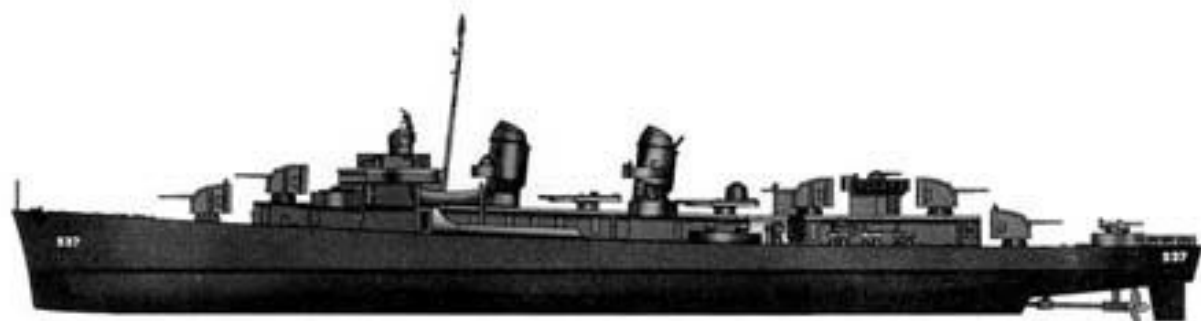


USS THE SULLIVANS DD-537

美国海军苏利汶号驱逐舰 DD-537



READ BEFORE ASSEMBLY

- Study and understand the instructions thoroughly before beginning assembly.
- Remove all injection pins carefully using a modeling file.
- Cut off the photo-etched parts carefully using a modeling knife. Be sure not to lose small parts.
- Apply instant cement to photo-etched parts and shafts. Apply too much instant cement will cause movable parts to stick. Apply cement carefully.
- Extra care should be taken to avoid personal injury when handling the photo-etched parts.
- Some parts should depend on decals. Select prior to assembly.
- Tools recommended (Not included in this kit):
- Cement: Side cutters, Long nose pliers, Modeling knife, Modeling file, Tweezers, Pin vise, Scissors, Instant cement.
- Soft cloth and sand paper will also assist in construction.
- Glue and paints are not included in the kit. Use plastic cement or paints only.
- Keep out of reach of small children. Children must not be allowed to suck any part or pull vinyl bag over the head.

装配之前仔细阅读

- 小心用模型锉刀锉平所有零件表面的注射浇口。
- 小心用刀片切下蚀刻片零件，不要遗失小零件。
- 用强力快干胶水粘合蚀刻片零件和金属轴。过量的快干胶水使用可能导致可动零件会粘住，小心涂胶。
- 取蚀刻片时应特别注意安全，防止利边划伤手指。
- 某些零件表面需贴水上贴纸，请选择在装配的同时进行。
- 推荐模型工具(自备): 胶水，水口剪刀，长咀钳，刀片，锉刀，镊子钳，钻，剪刀，瞬间快干胶。
- 软布同砂纸同时也应该是必备工具。
- 请使用塑料胶水和油漆，模型内不含。
- 谨防小孩吮吸塑料零件，或者将塑料袋套在头上，制作时应将套材远离小孩接触。



cyanoacrylate glue
使用强力胶



weight
配重



make hole
钻孔



cut / remove
切割



bend
弯曲



file / sand
锉平



option
选择



no cement
不涂胶水



decal
贴纸

水贴纸的使用:

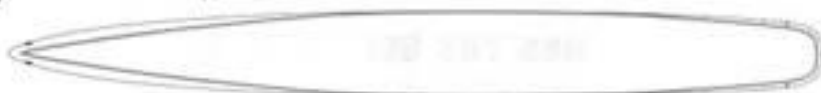
1. 从水贴纸上剪下印花;
2. 将印花放入温水中浸10秒, 然后放在干净布上.
3. 拿着印花纸板将印花移到模型上;
4. 手指蘸水将印花移到适当的位置;
5. 用软布轻压印花直至水干, 气泡消失.

DECAL APPLICATION

1. Cut off decal from sheet.
2. Dip the decal in tepid water 40°C for about 10 sec. and place on a clean cloth.
3. Hold the backing sheet edge and slide decal onto the model.
4. Move decal into position by wetting decal with finger.
5. Press decal gently down with a soft cloth until excess water and air bubbles are gone.

部品图 parts:

Upper Hull



Lower Hull



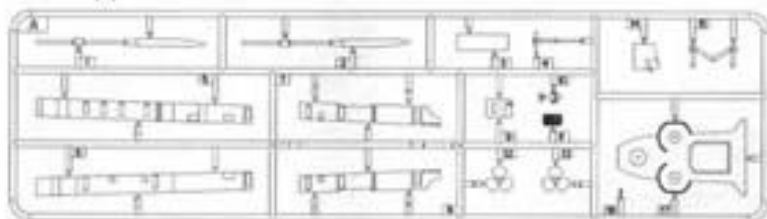
Waterline plate



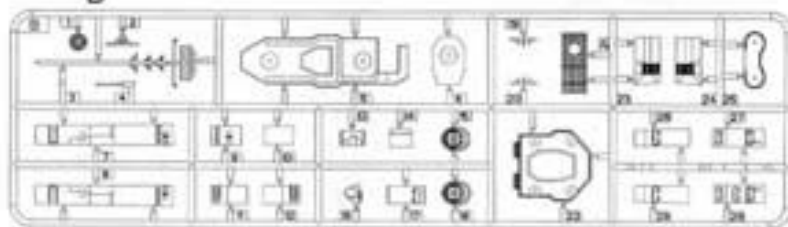
Deck



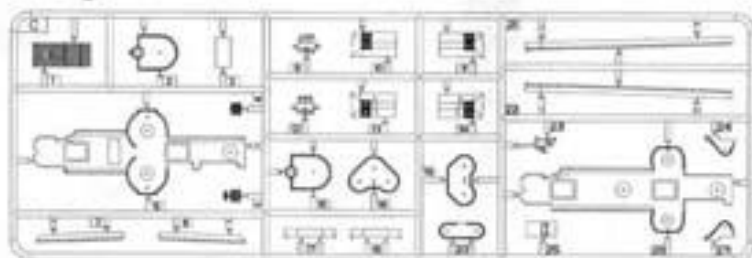
A



B



C

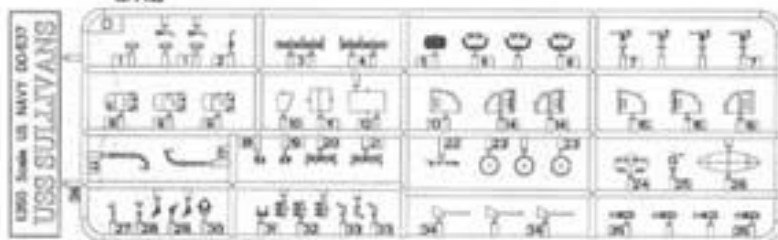


注: 其中C组C1、C4、C7、C8
C12、C13、C14、C15、C16
C17、C18、C24、C25、C26
C27为(43年型)其余为(45
年型)

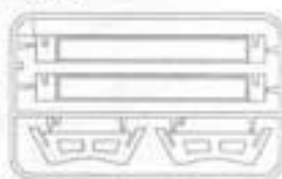
贴纸
Decal



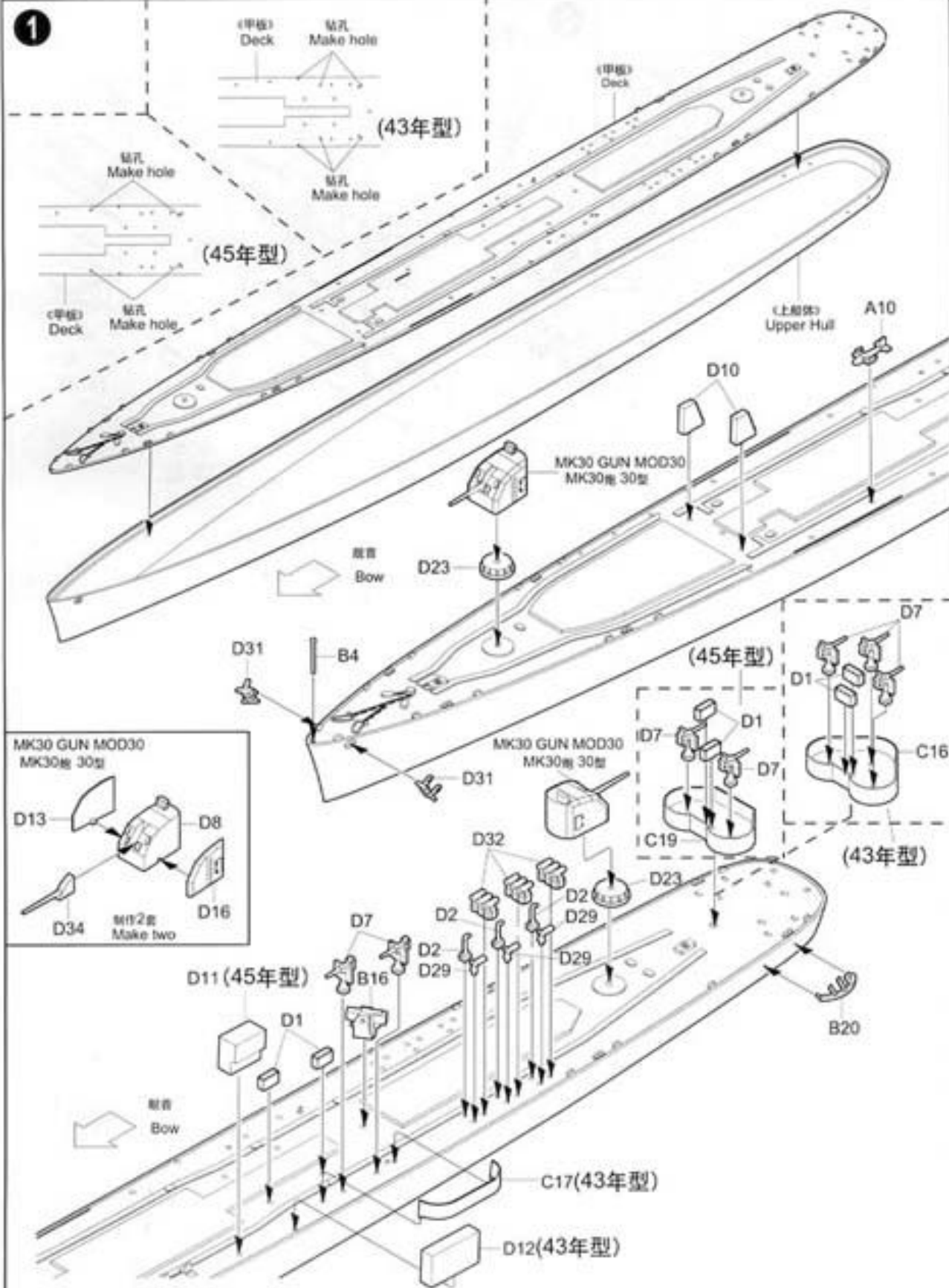
Dx2

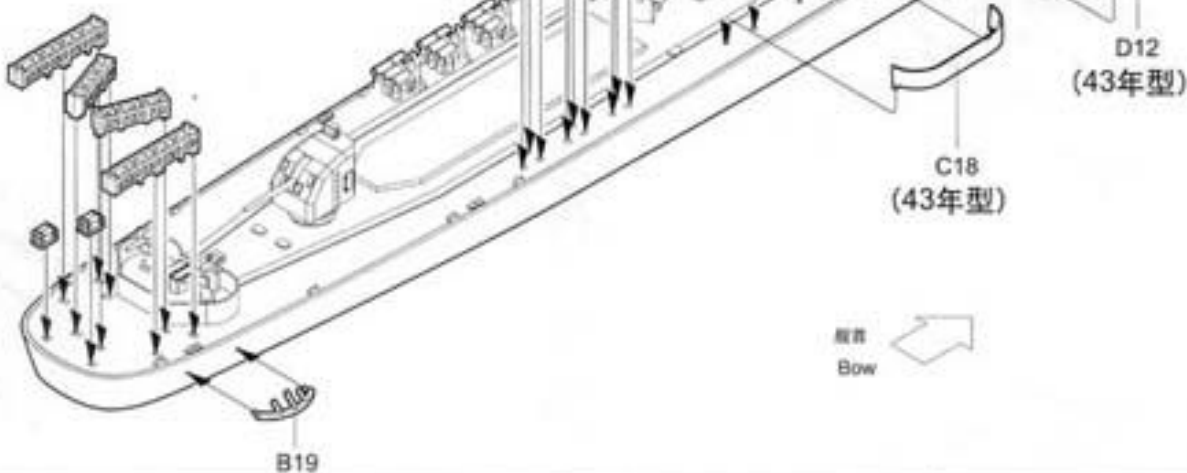
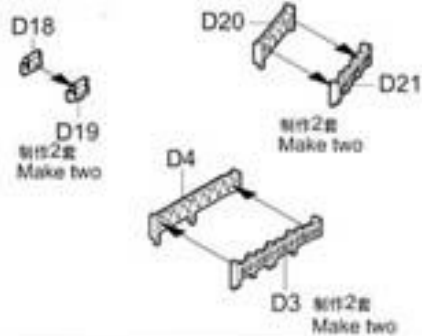
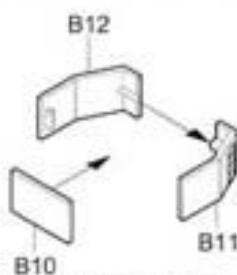
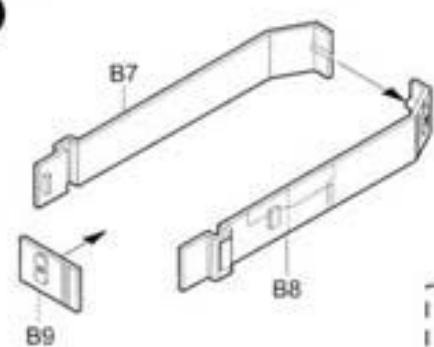
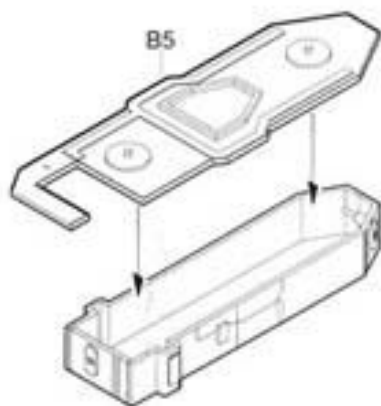
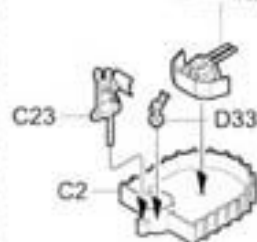


Stand

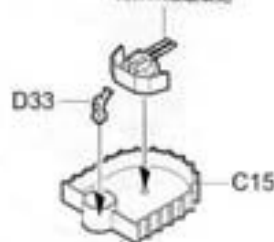


1



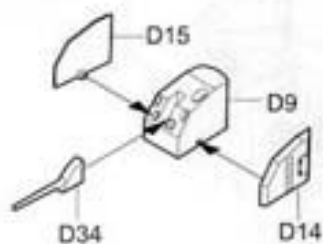
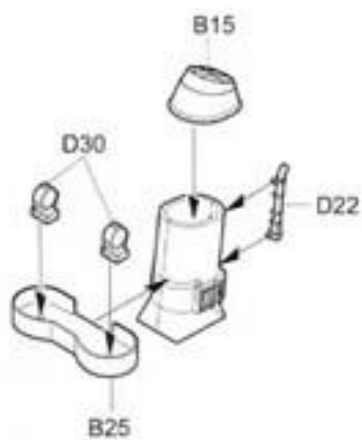
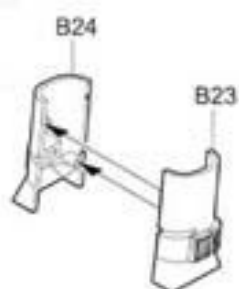
2**3**40mm TWIN GUN
40mm双联装炮(43年型)
制作5套
Make five(45年型)
制作3套
Make three40mm TWIN GUN
40mm双联装炮

(45年型)

40mm TWIN GUN
40mm双联装炮

(43年型)

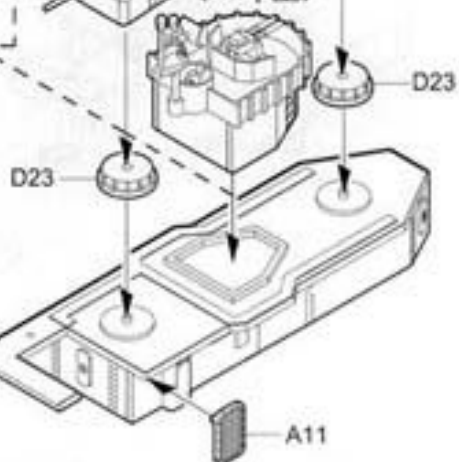
4

MK30 GUN MOD18
MK30槍 18型組付3個
Make three

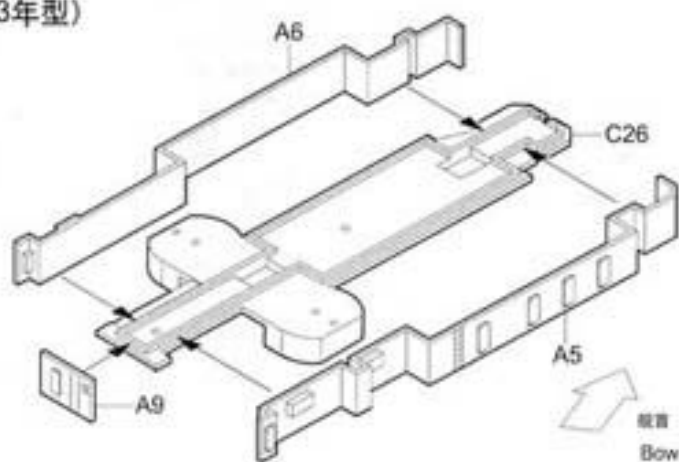
(43年型)

MK30 GUN MOD18
MK30槍 18型

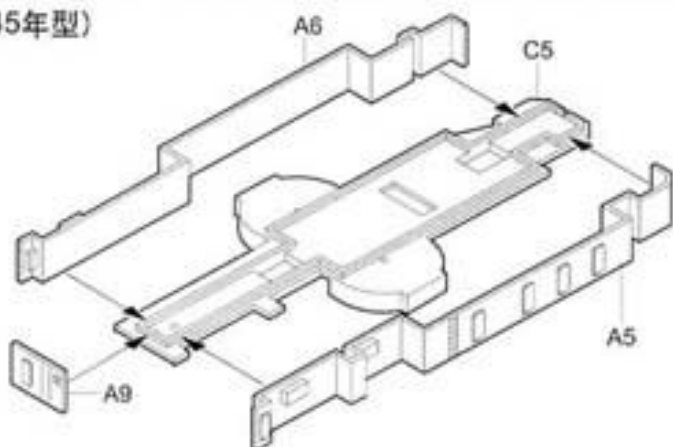
(45年型)

照準
Bow

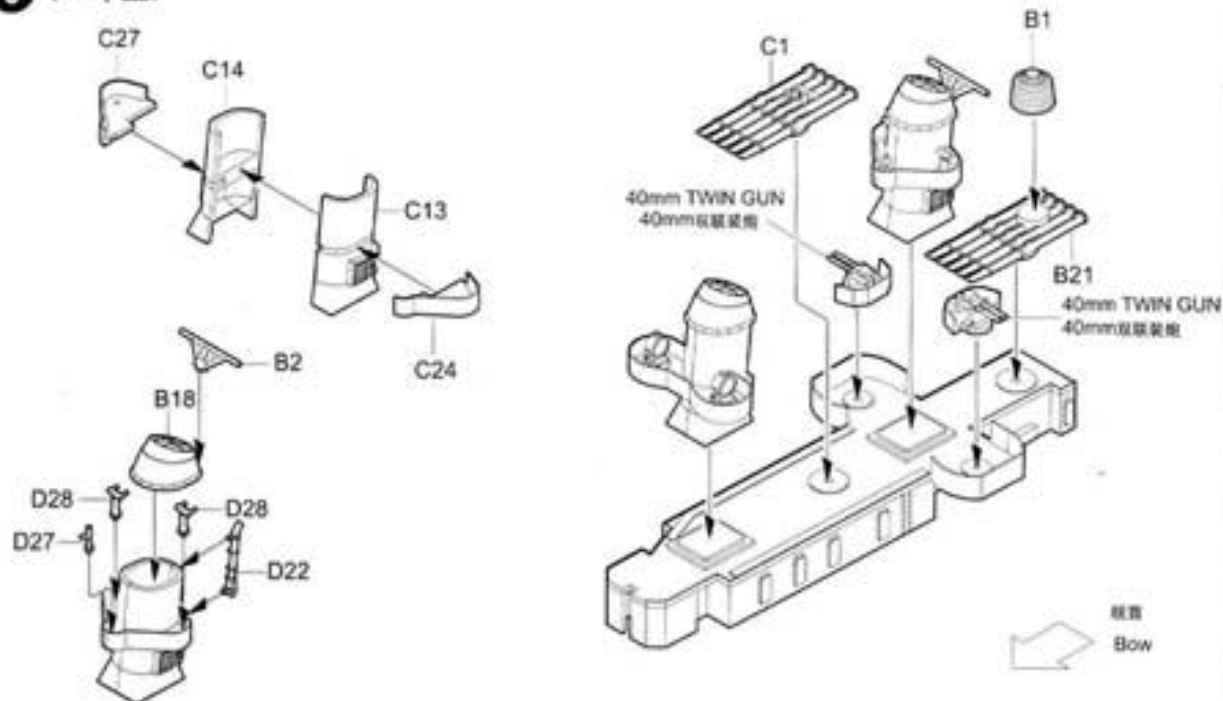
(43年型)

照準
Bow

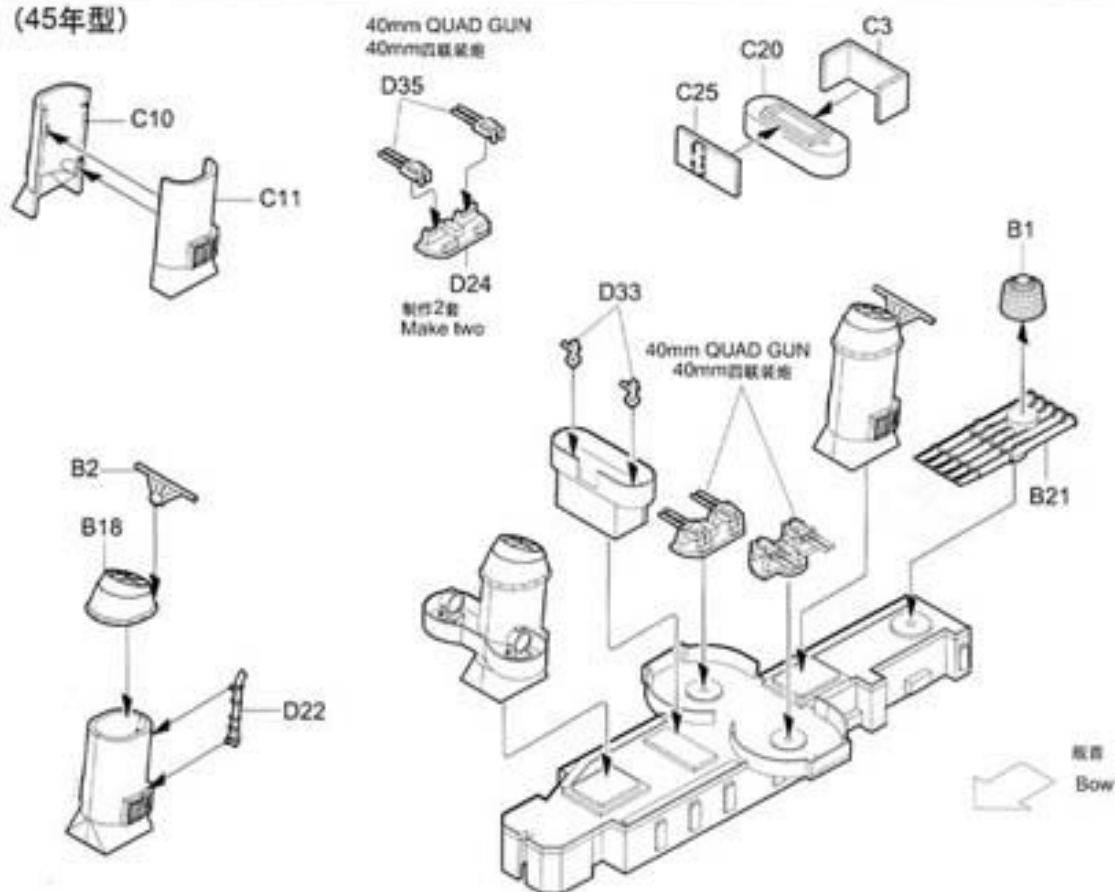
(45年型)

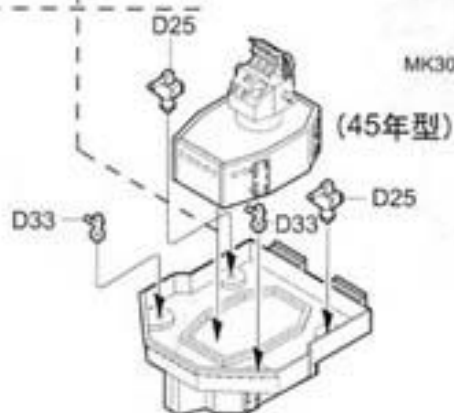
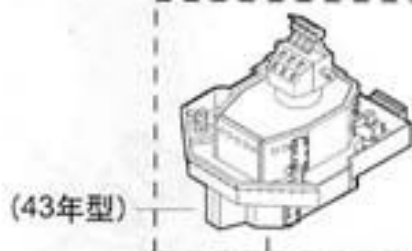
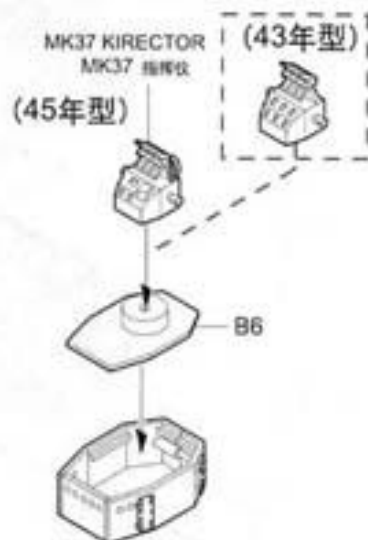
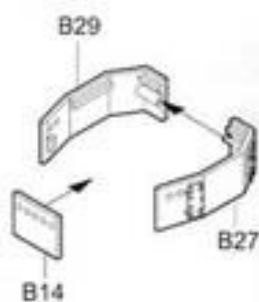
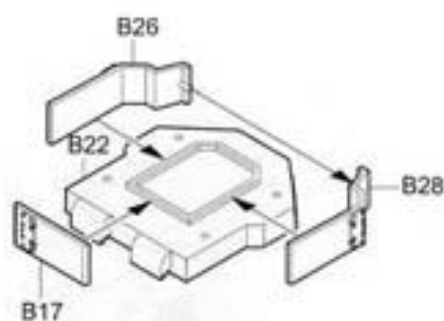
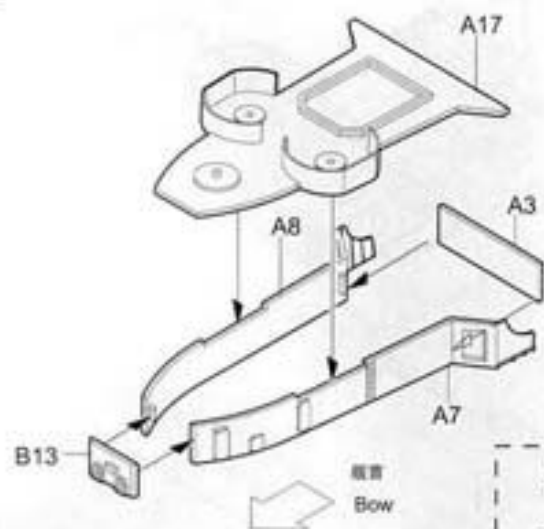


5 (43年型)

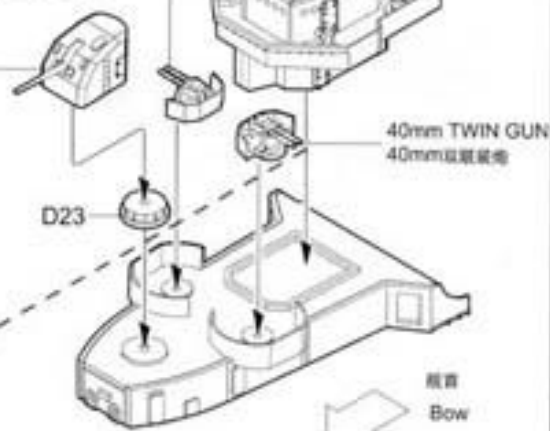


6 (45年型)

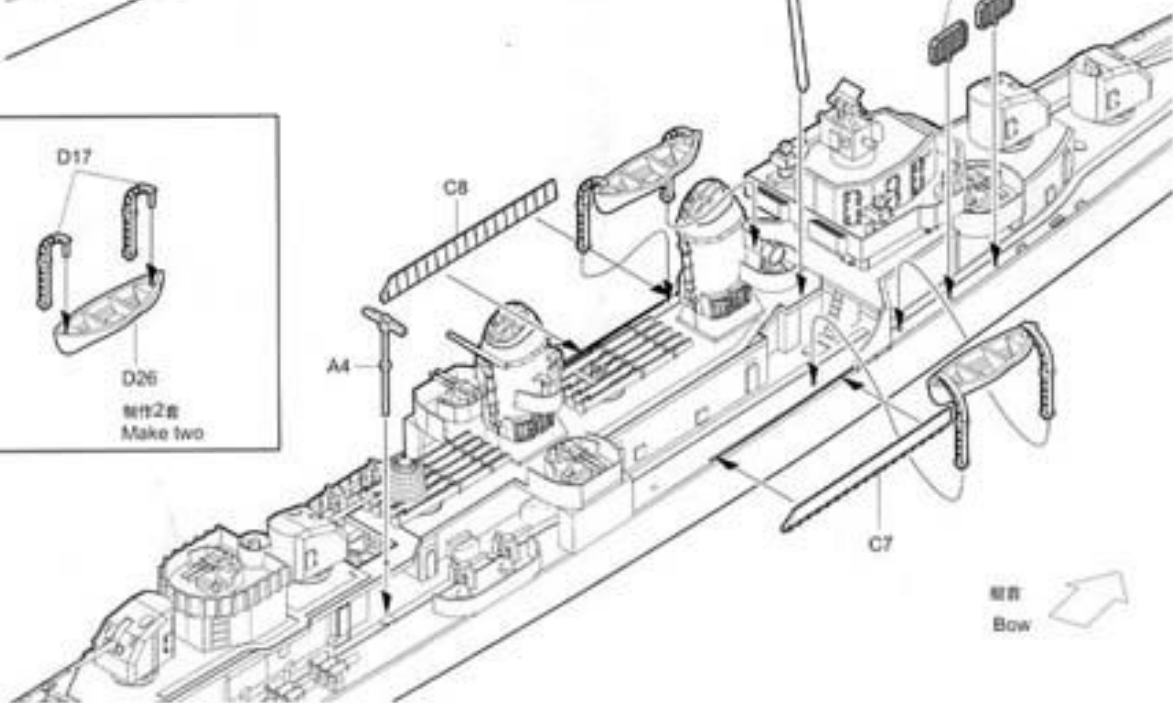
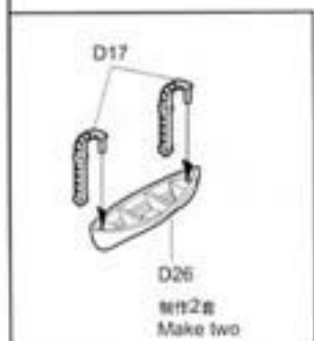
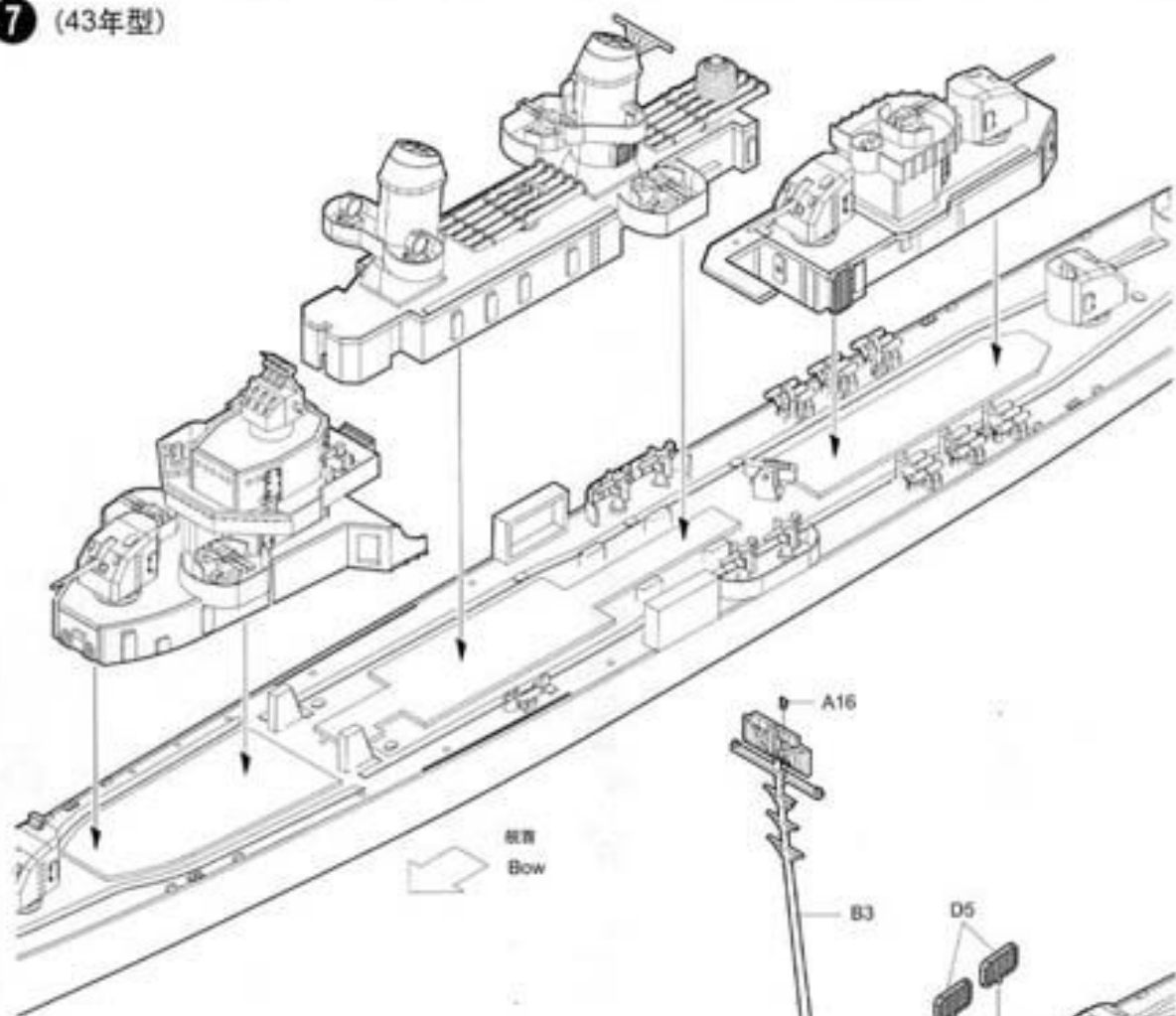




MK30 GUN MOD18
MK30炮 18型

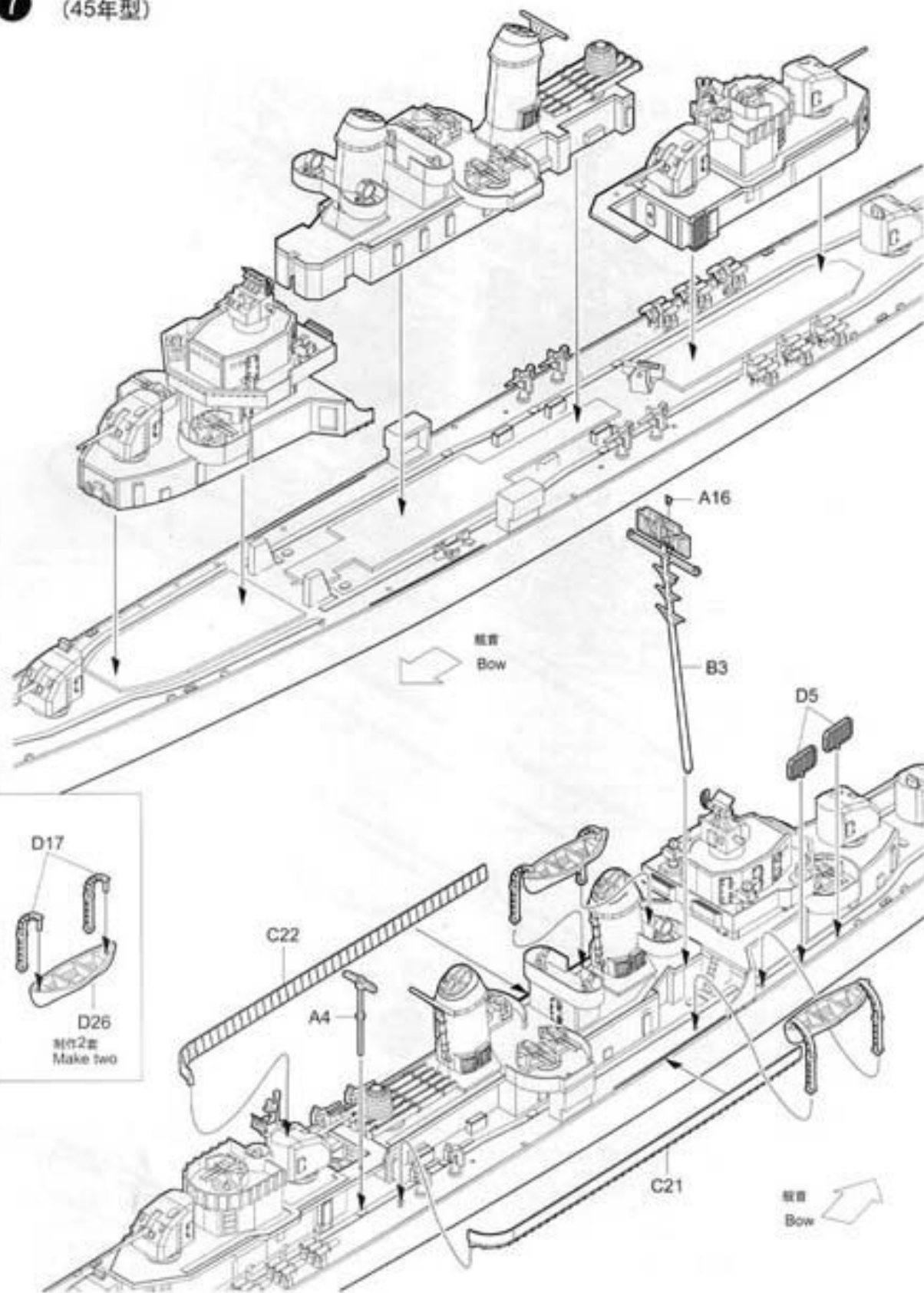


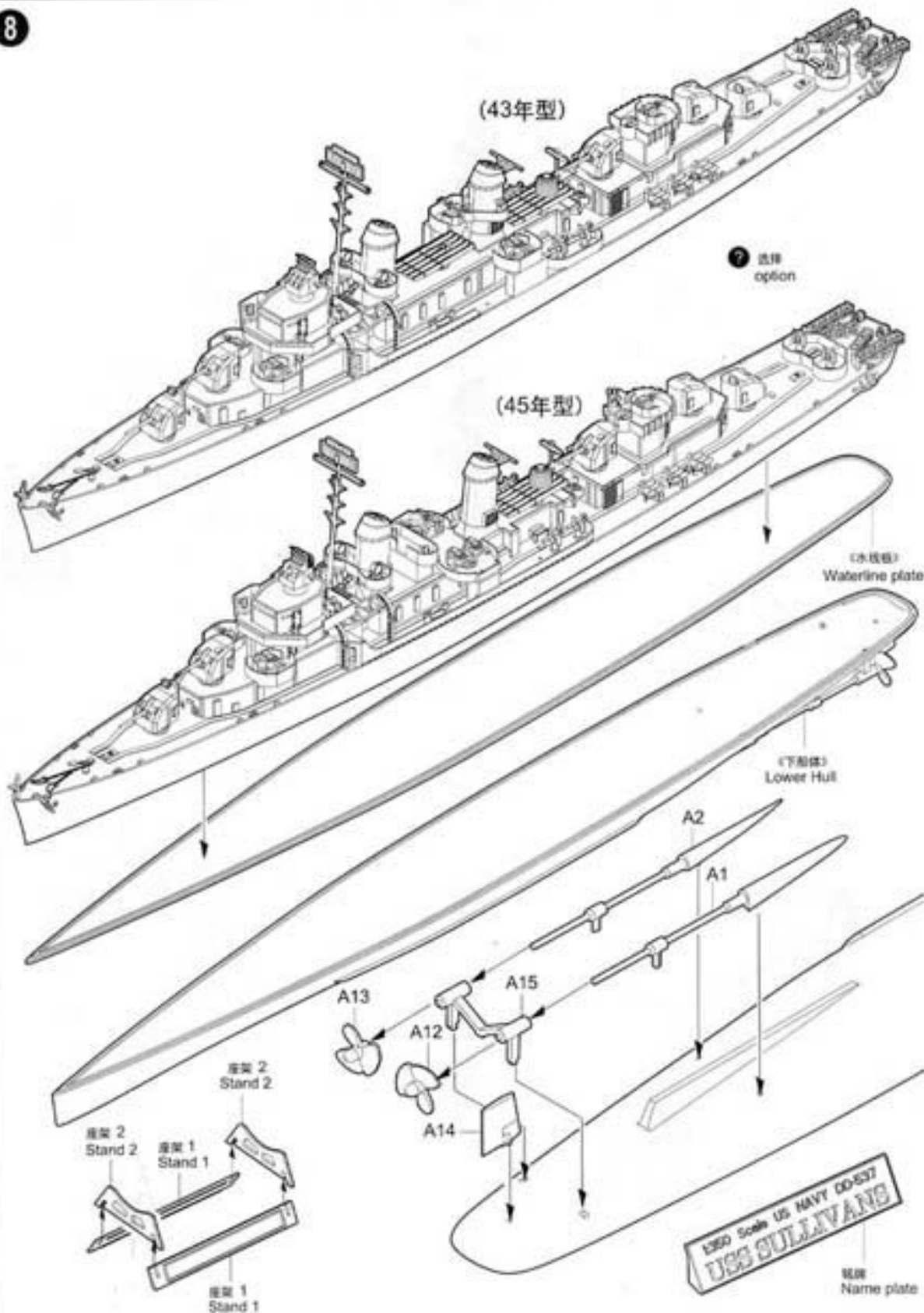
7 (43年型)



7

(45年型)





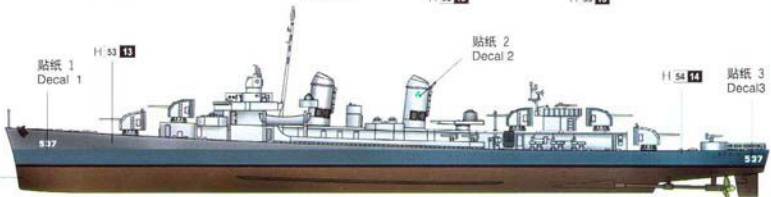
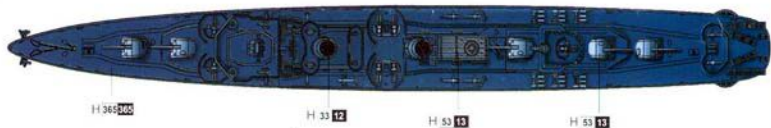
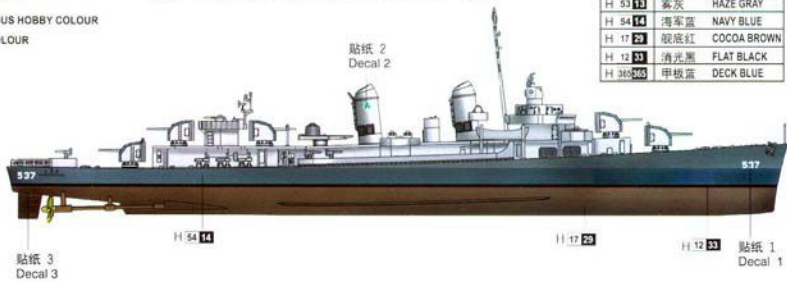
涂装同标贴指示
Painting & Marking guide

A USS THE SULLIVANS DD-537 1945

H 8 GUNZE SANGYO AQUEOUS HOBBY COLOUR

8 GUNZE SANGYO MR.COLOUR

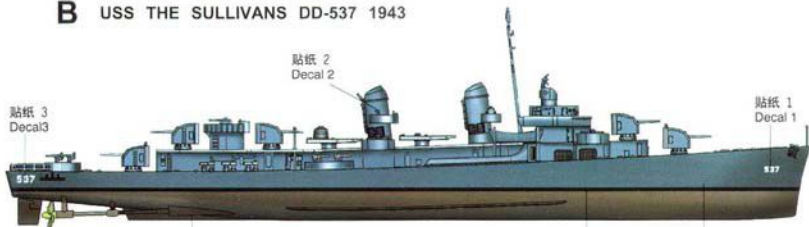
Gunze			
H 9	8	金色	GOLD
H 53	13	雾灰	HAZE GRAY
H 54	14	海军蓝	NAVY BLUE
H 17	29	靛底红	COCOA BROWN
H 12	33	消光黑	FLAT BLACK
H 365	305	甲板蓝	DECK BLUE



B USS THE SULLIVANS DD-537 1943



H 17 20



貼紙 3
Decal 3

貼紙 2
Decal 2

貼紙 1
Decal 1

H 17 20

H 12 53

H 54 14



H 365 285

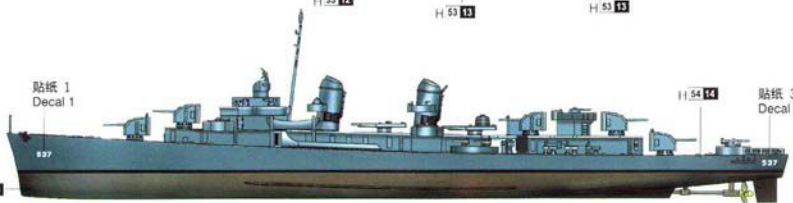
H 33 12

H 53 13

H 53 13



H 9 8



貼紙 1
Decal 1

H 54 14

貼紙 3
Decal 3

H 37 20