

USS SARATOGA CV-3

美国海军萨拉托加号航空母舰 CV-3

1:350 SCALE

READ BEFORE ASSEMBLY:

- This kit is not recommended for inexperienced modelers or for children under 14 years of age
- Study and understand these instructions thoroughly before beginning assembly
- When needed, remove photo-etch parts carefully using a modeling knife or photo etch sprue cutter, being careful not to damage or lose small parts.
- Take extra care in handling photo etch parts in order to avoid injury
- Apply instant cement sparingly to photo etch parts where instructed

- Tools recommended(not included in kit): Plastic and instant cements, sprue cutters, long nose pliers, modeling knife, small files, tweezers, pin vise & scissors. Soft cloth and sandpaper will also assist in construction
- Glue and paint are not included in the kit. Use plastic cement and hobby paints only. Color guide for purchasing paint is included in the kit.
- Keep out of reach of small children. They must not be allowed to ingest small parts or handle plastic bugs in any way.

装配之前仔细阅读

- 小心用模型锉刀锉平所有零件表面的注射浇口。
- 小心用刀片切下蚀刻片零件。不要遗失小零件。
- 用强力快干胶水粘合蚀刻片零件和金属轴。过量的快干胶水使用可能导致可动零件会黏住。小心涂胶。
- 取蚀刻片时应特别注意安全。防止利刃划伤手指。
- 某些零件表面需贴上火贴纸。请选择在装配的同时进行。
- 推荐模型工具(自备): 胶水、水口剪刀、长咀钳、刀片、挫刀、镊子、钳、剪刀、圆头快干胶。
- 软布(同感)同时也应该是必备工具。
- 请使用塑料胶水和油漆。模型内不含。
- 远离小孩或宠物零件。或者将塑料套套在头上。制品时应将套材远离小孩接触。
- 本产品不适合14岁以下没有经验的模型爱好者。

水贴纸的使用:

1. 从水贴纸上剪下印花;
2. 将印花放入温水中浸10秒, 然后放在干净布上;
3. 拿着印花纸板将印花移到模型上;
4. 手指蘸水将印花移到适当的位置;
5. 用软布轻压印花直至水干, 汽泡消失。

DECAL APPLICATION:

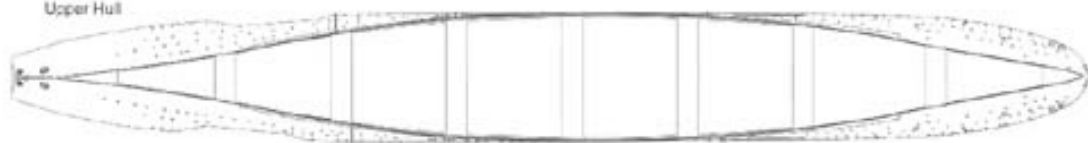
- 1 Cut decals from sheet as needed
- 2 Dip the decal in warm water for about 10 seconds and then place on soft clean cloth
- 3 Hold the decal backing sheet edge and gently slide the decal onto the model in its proper position

4. While still wet, decal can be adjusted for better fit on model by dampening it gently with your finger.
5. When placed in the proper position, gently press decal down with a soft cloth until excess water and air bubbles are gone
6. Allow decal to dry completely before handling model



部品图 Parts

(上部船体)
Upper Hull



(下部船体)
Lower Hull



(水线板)
Waterline plate



(前飞行甲板)
Fore flight deck



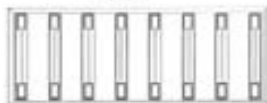
(中飞行甲板)
Center flight deck



(后甲板)
Aft deck



(舰架)
Stand



(舰名)
Name plate



(贴纸)
Decal

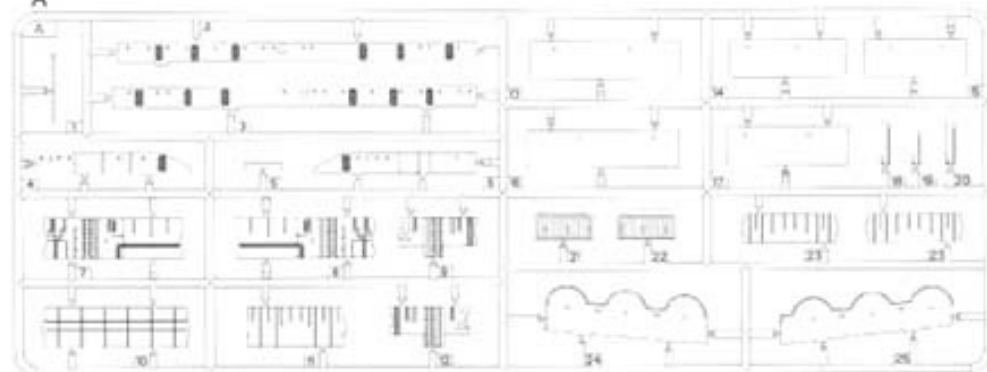


(后飞行甲板)
Aft flight deck

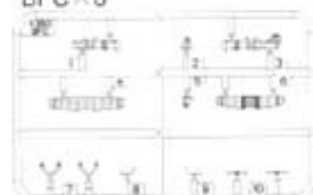


部品图
Parts

A



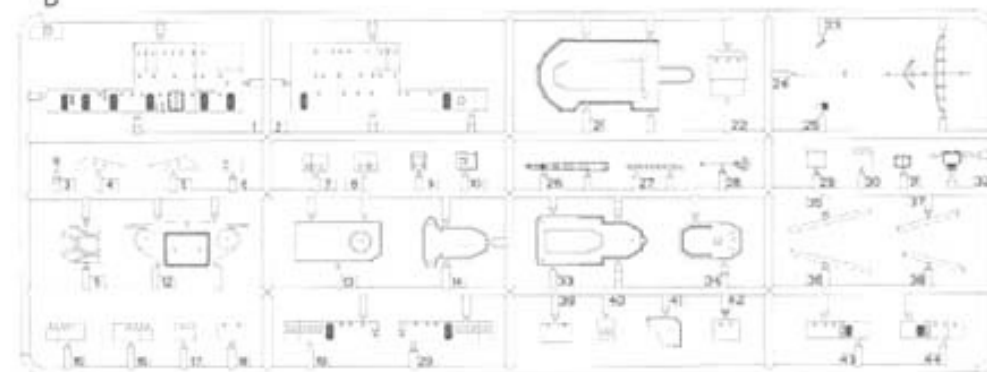
BFC×6



SBU×6



B



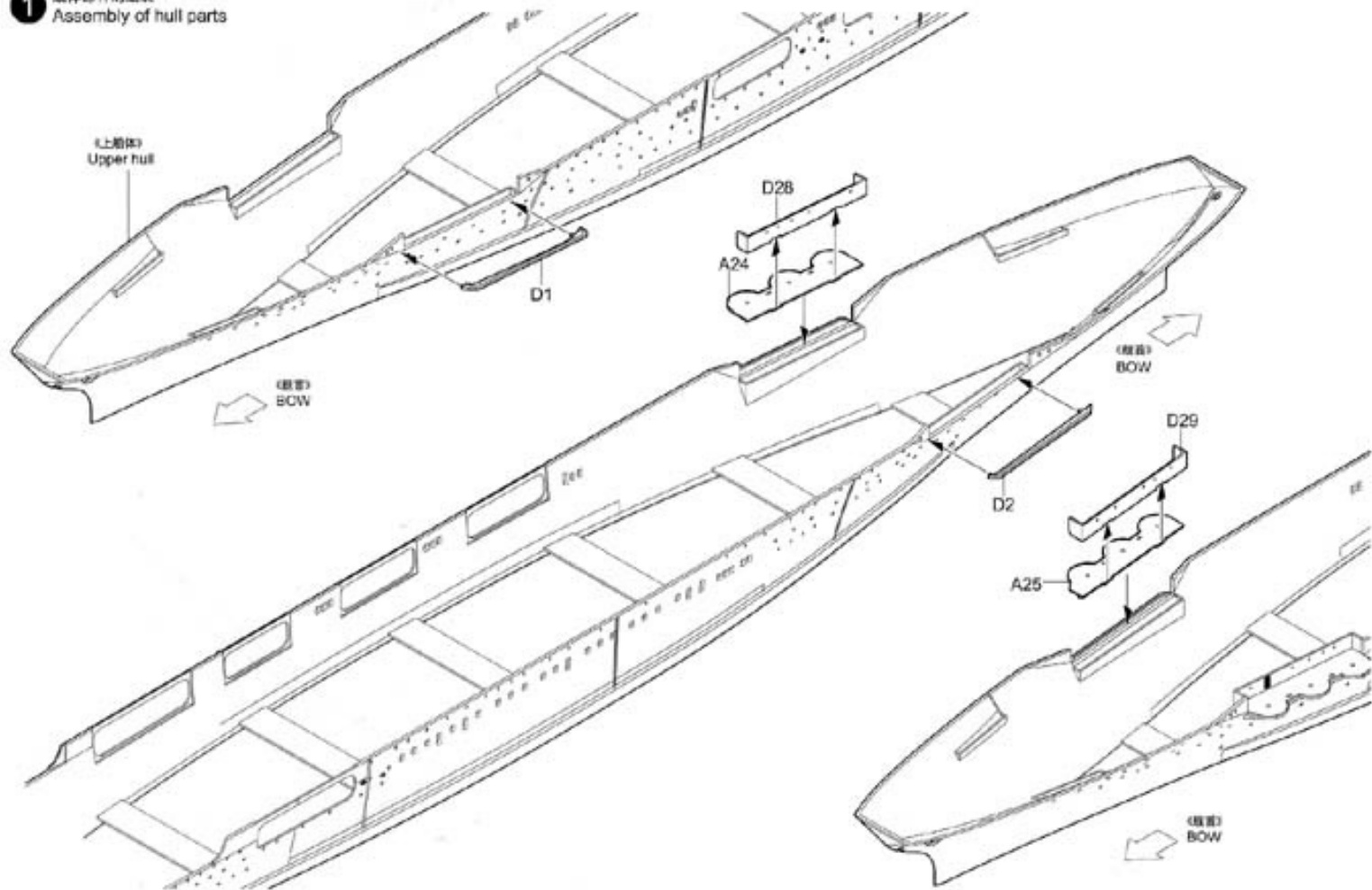
F3F×6



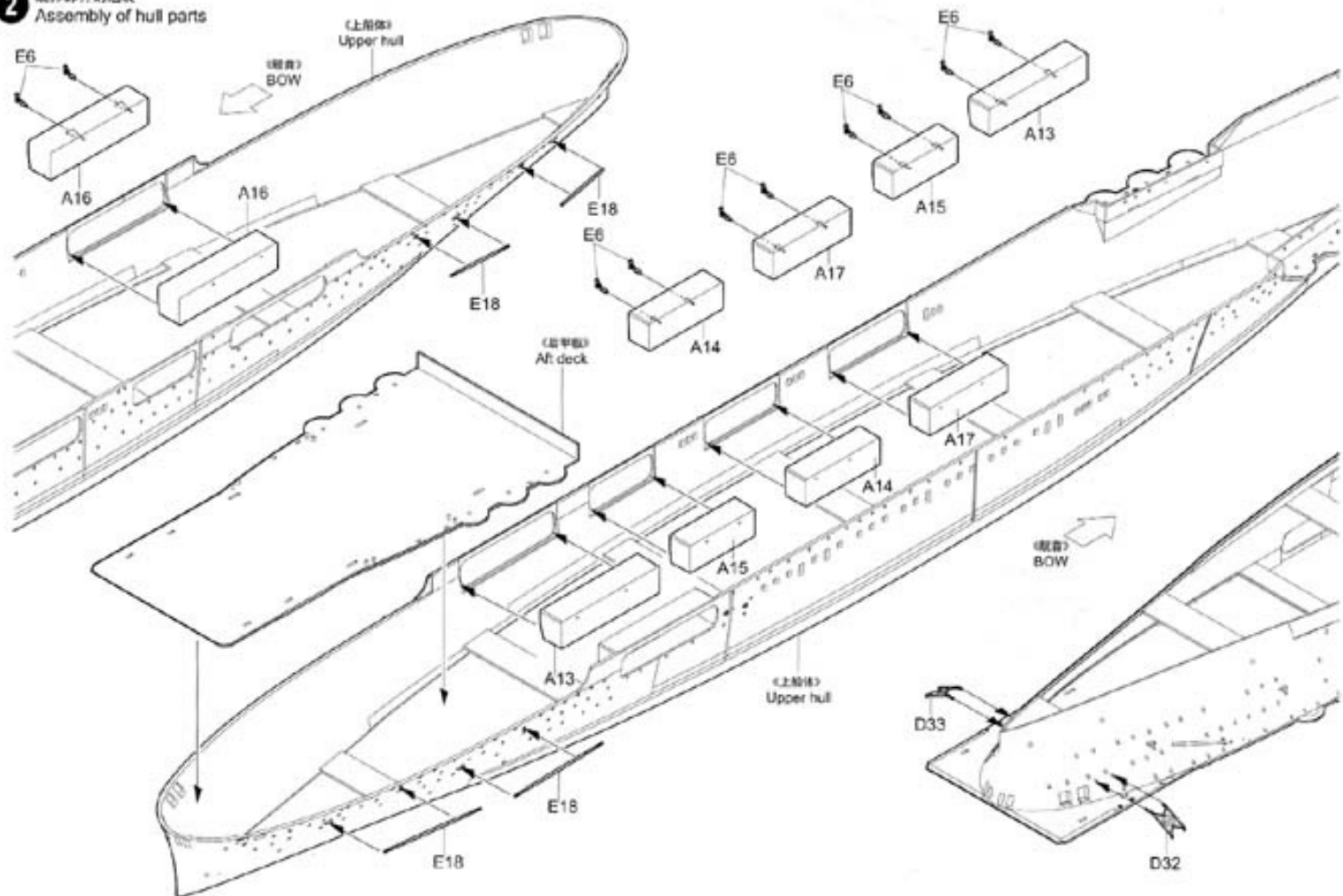
TG-2×6



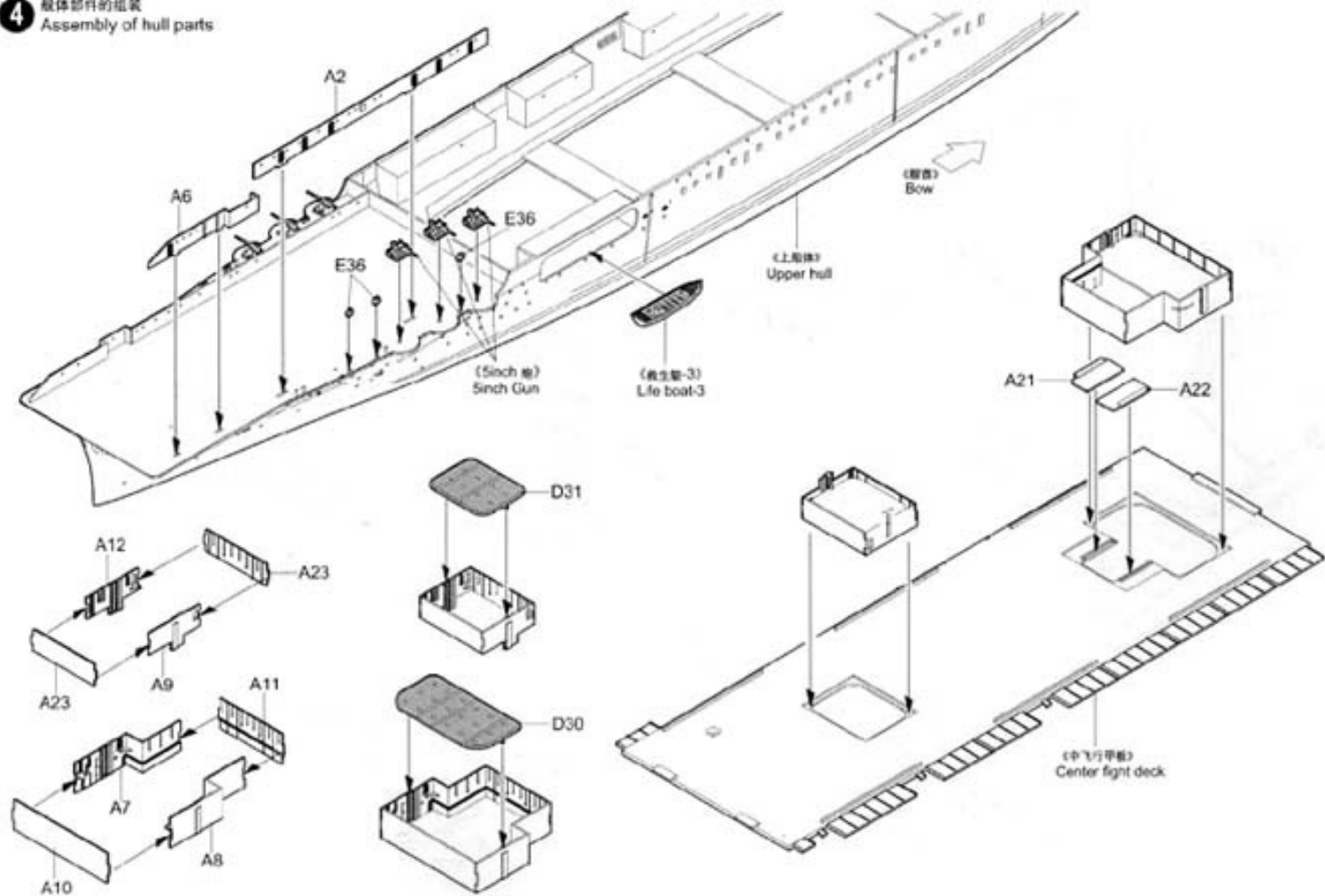
1 船体部件的组装
Assembly of hull parts



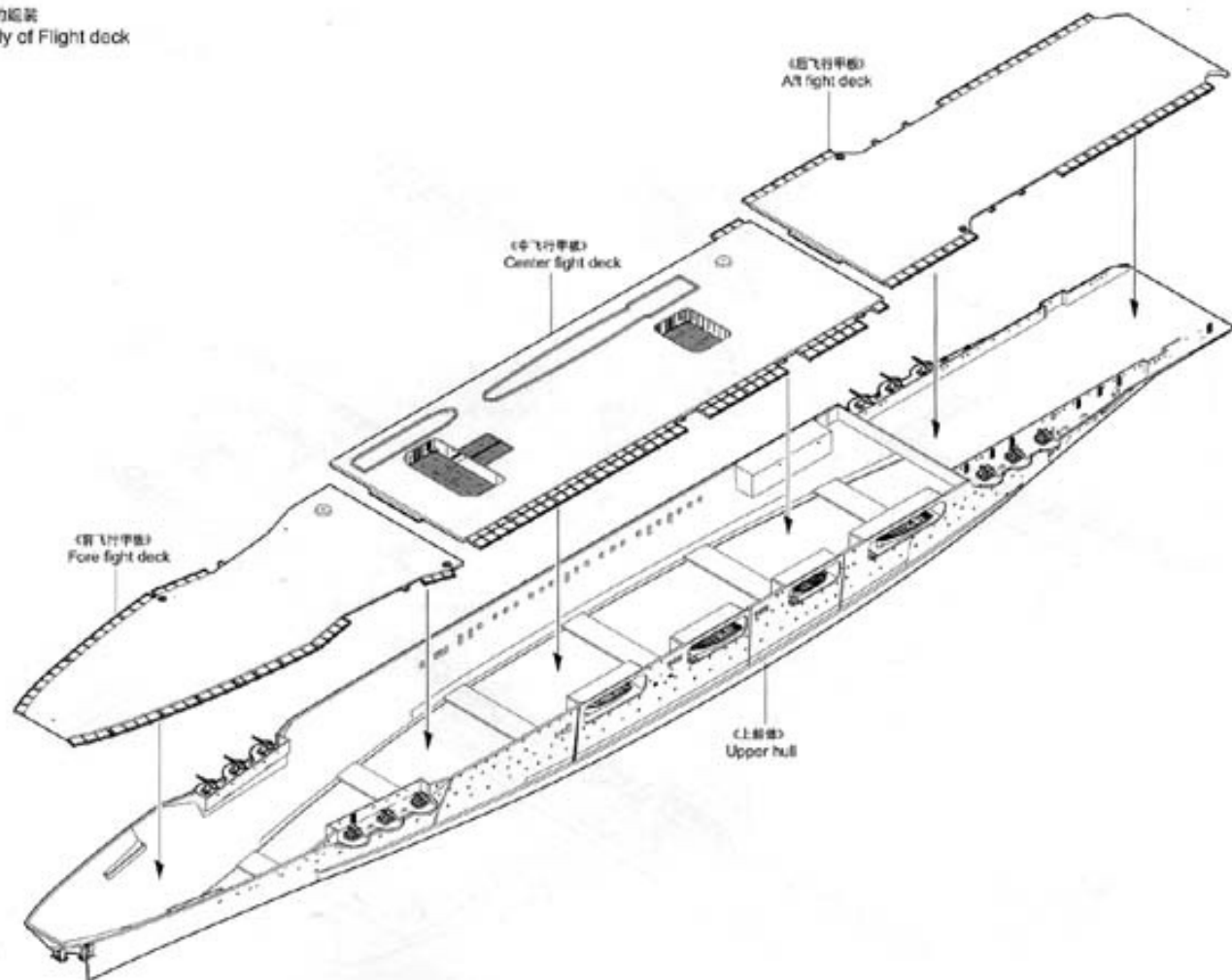
2 船体零件的组装
Assembly of hull parts



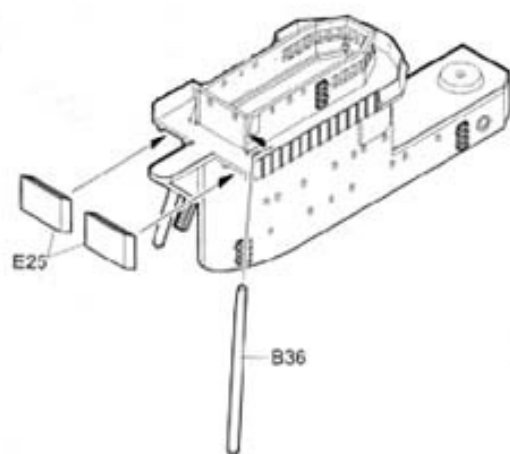
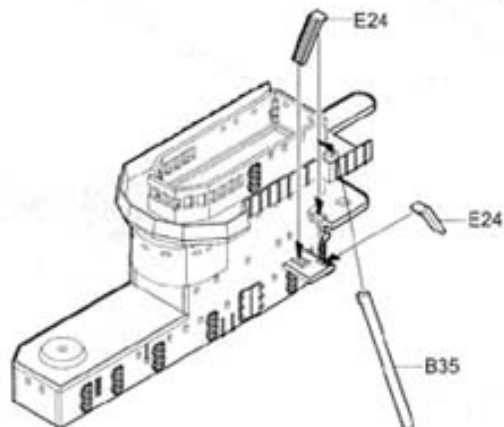
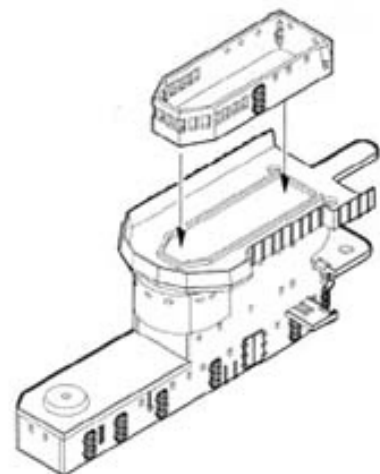
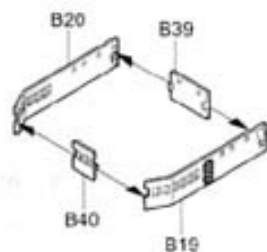
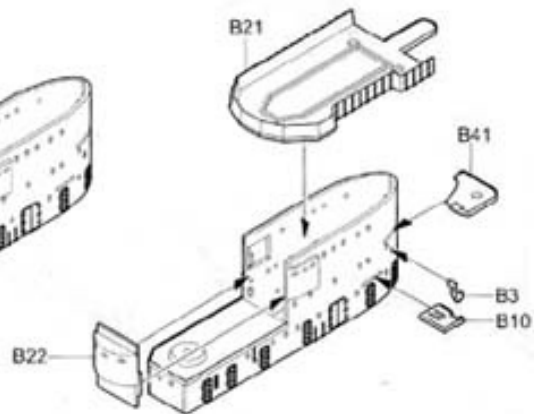
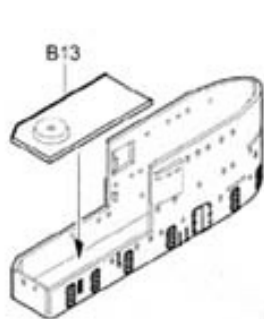
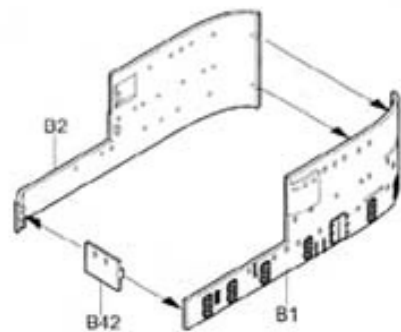
4 舰体部件的组装
Assembly of hull parts



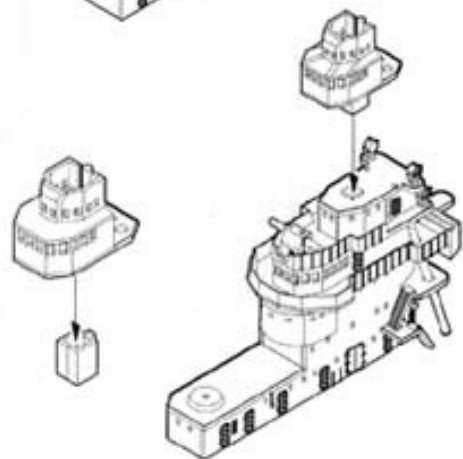
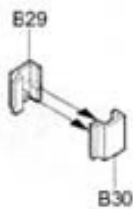
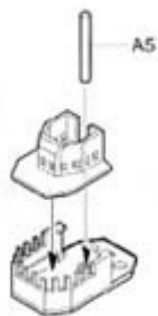
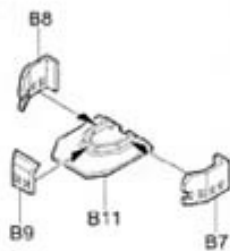
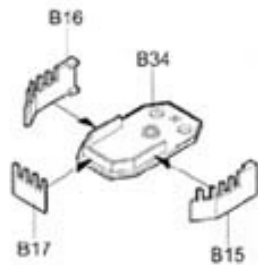
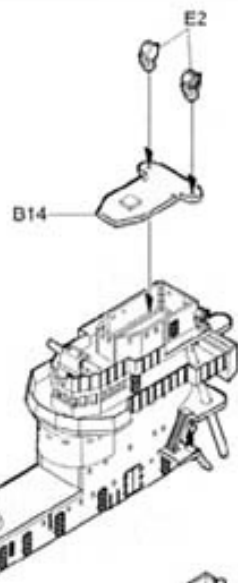
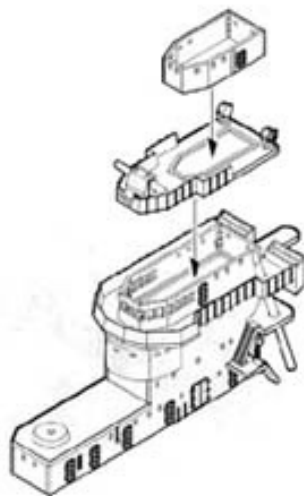
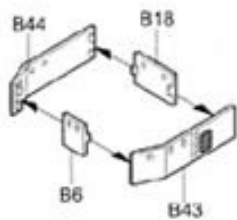
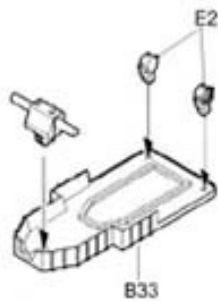
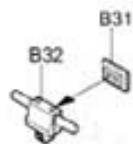
5 飞行甲板的组装
Assembly of Flight deck



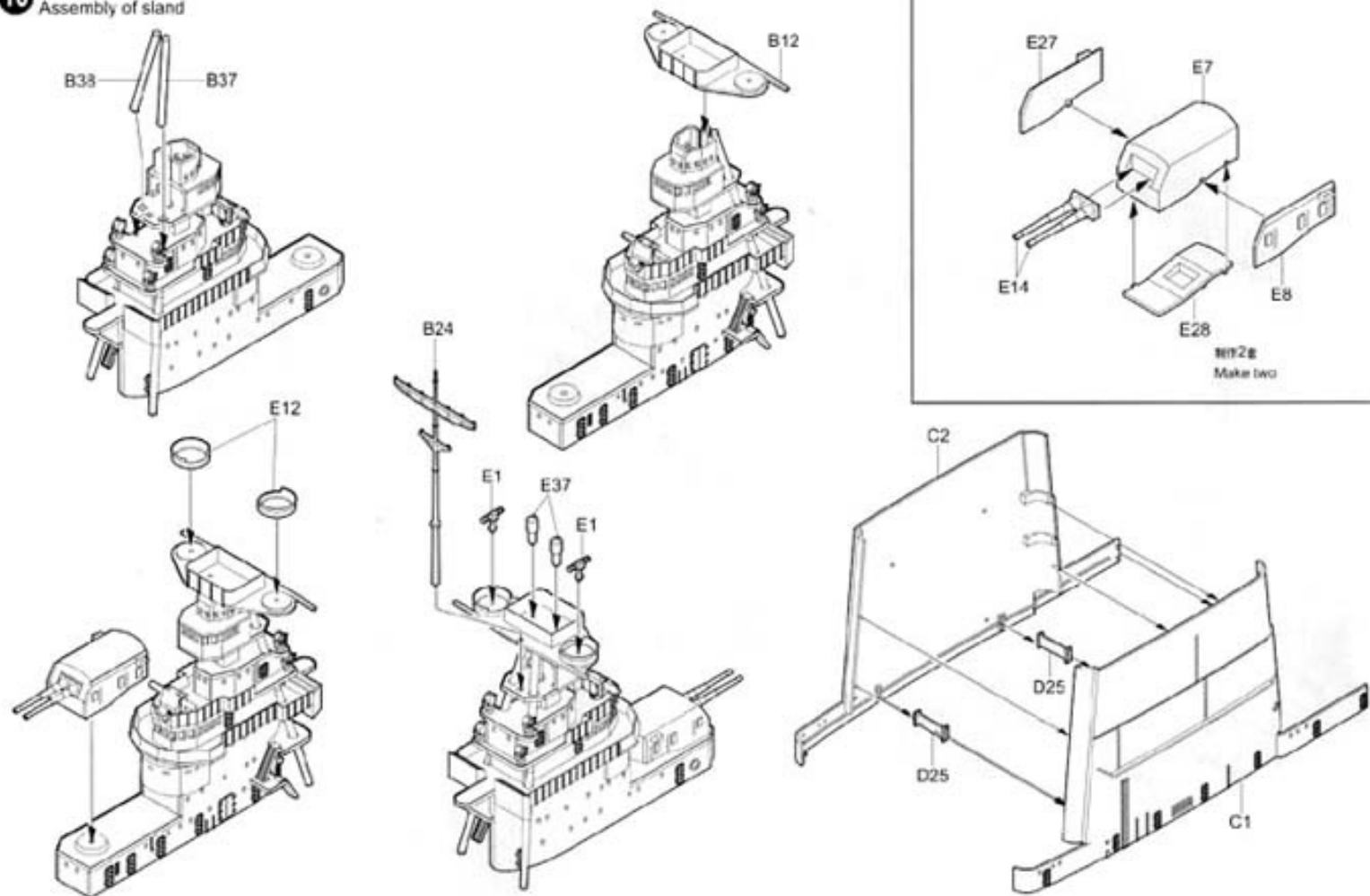
8 船体部件的组装
Assembly of hull parts



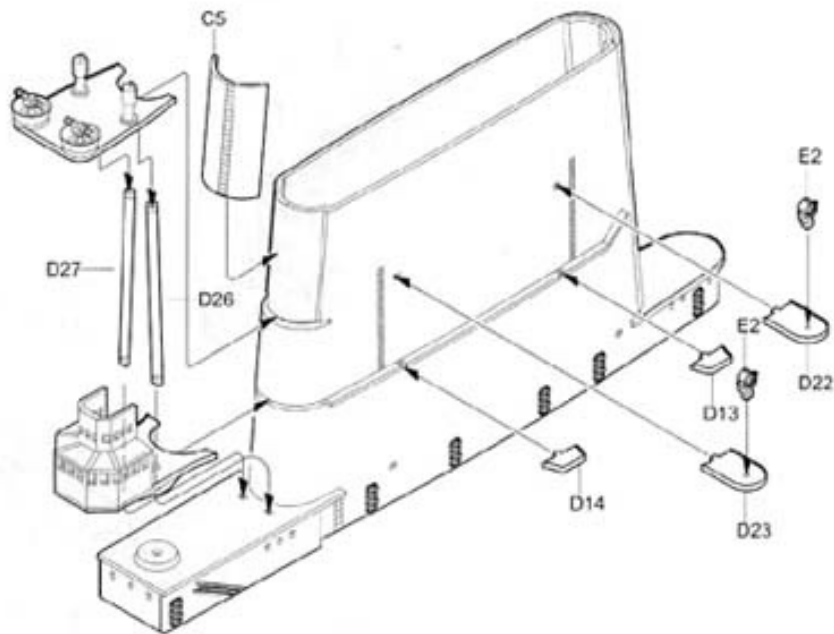
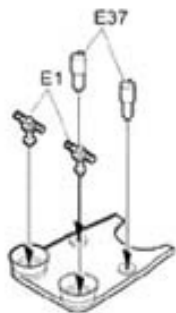
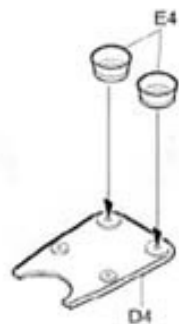
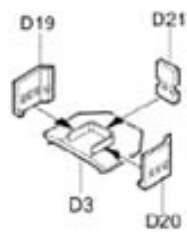
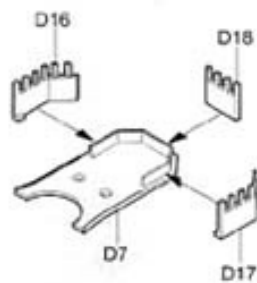
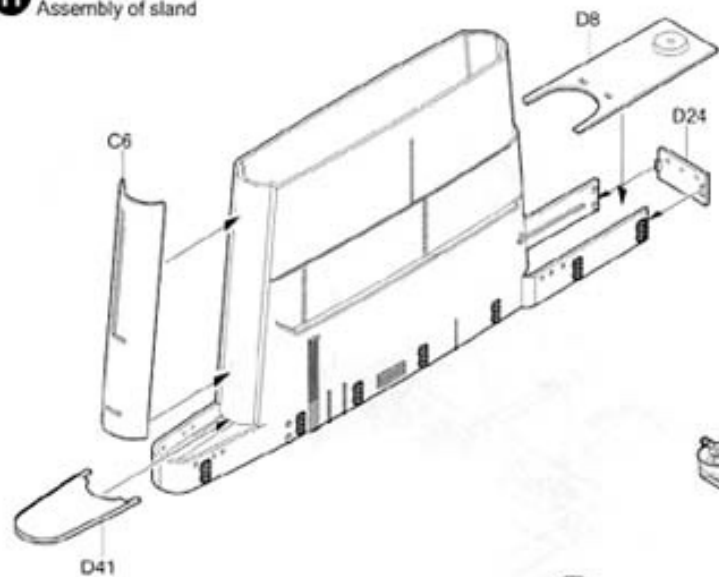
9 舰桥部分的组装
Assembly of stand



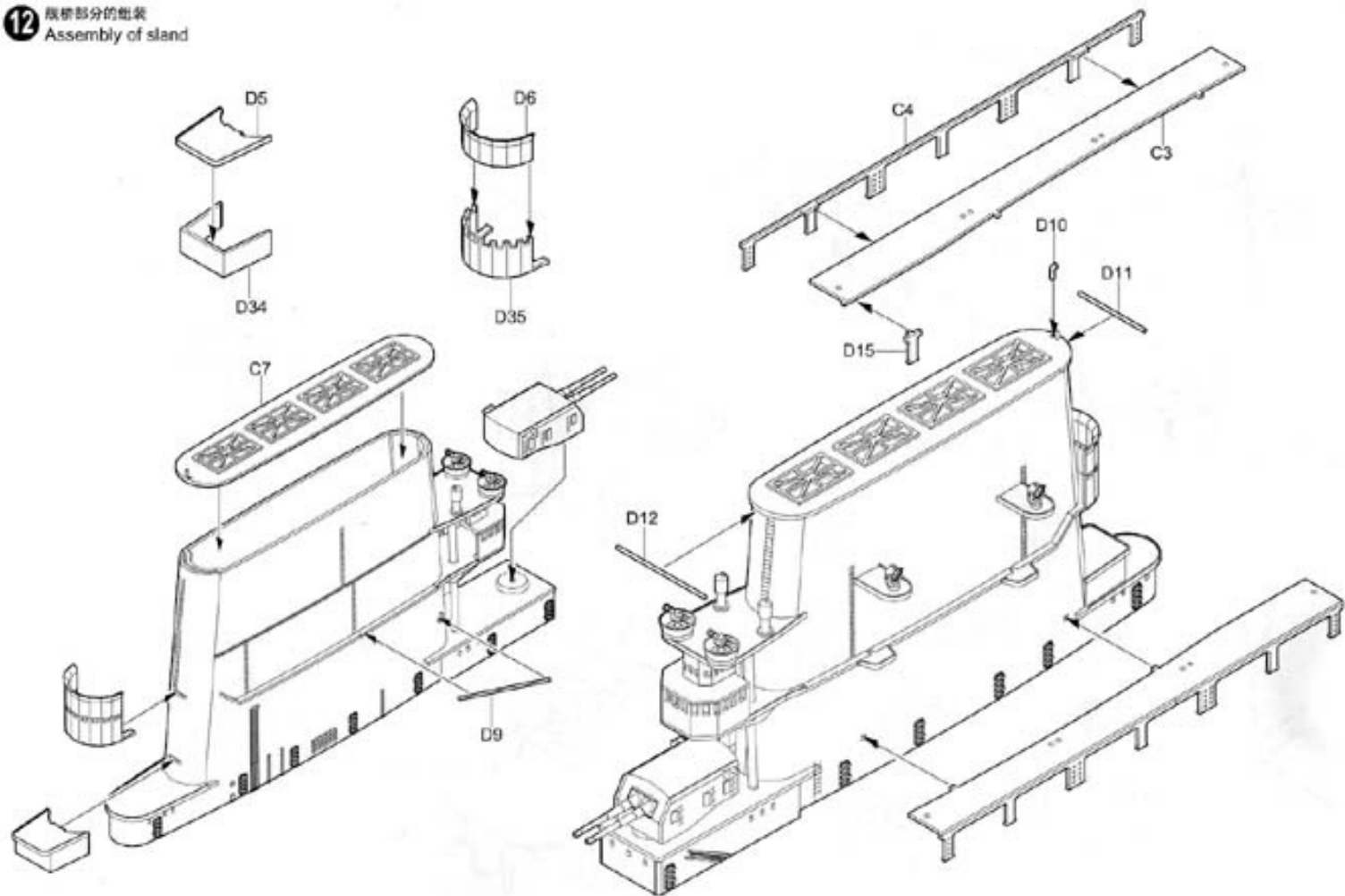
10 底座部分的组装
Assembly of stand



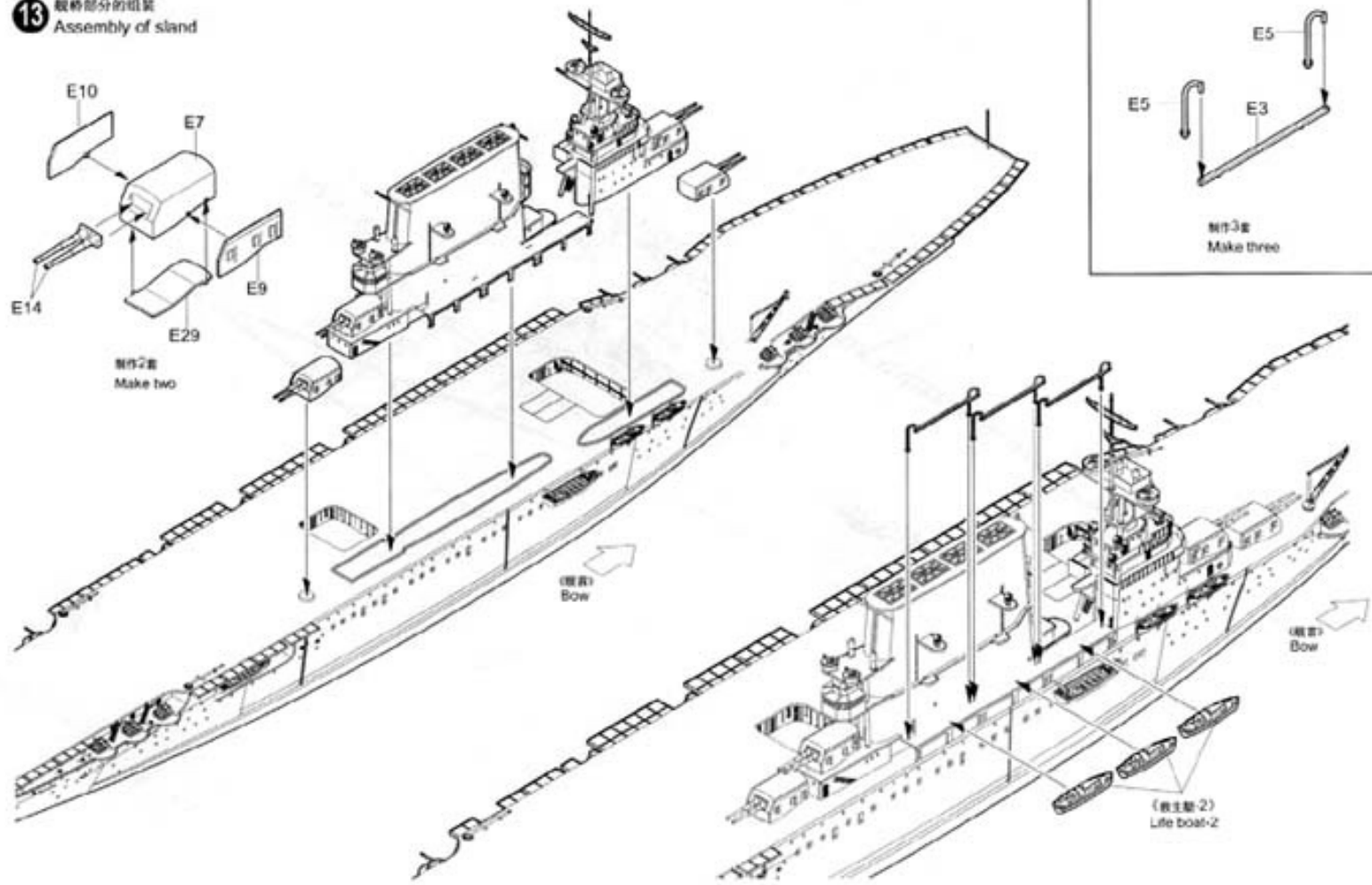
11 底座部分的組裝
Assembly of stand

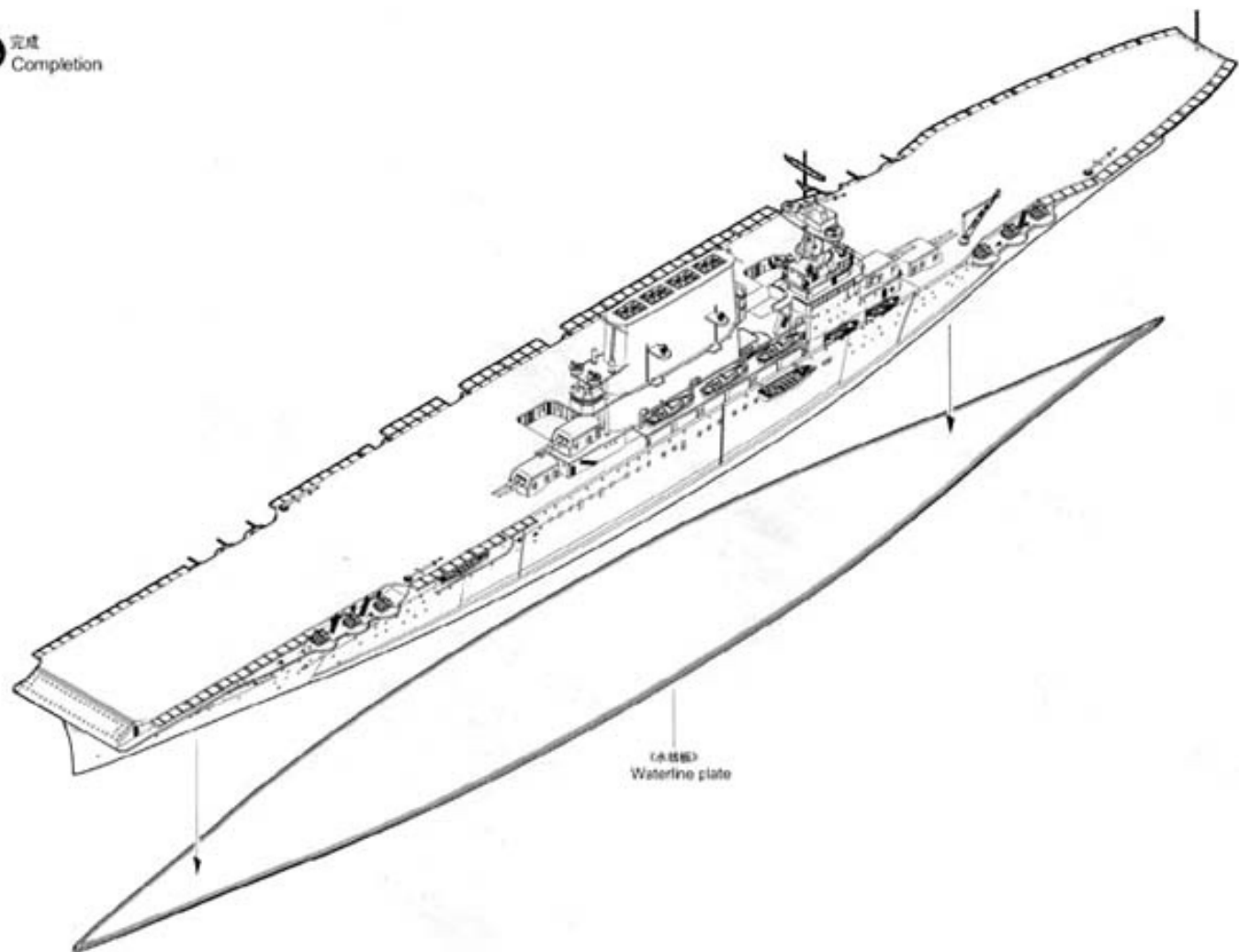


12 顶桥部分的组装
Assembly of stand

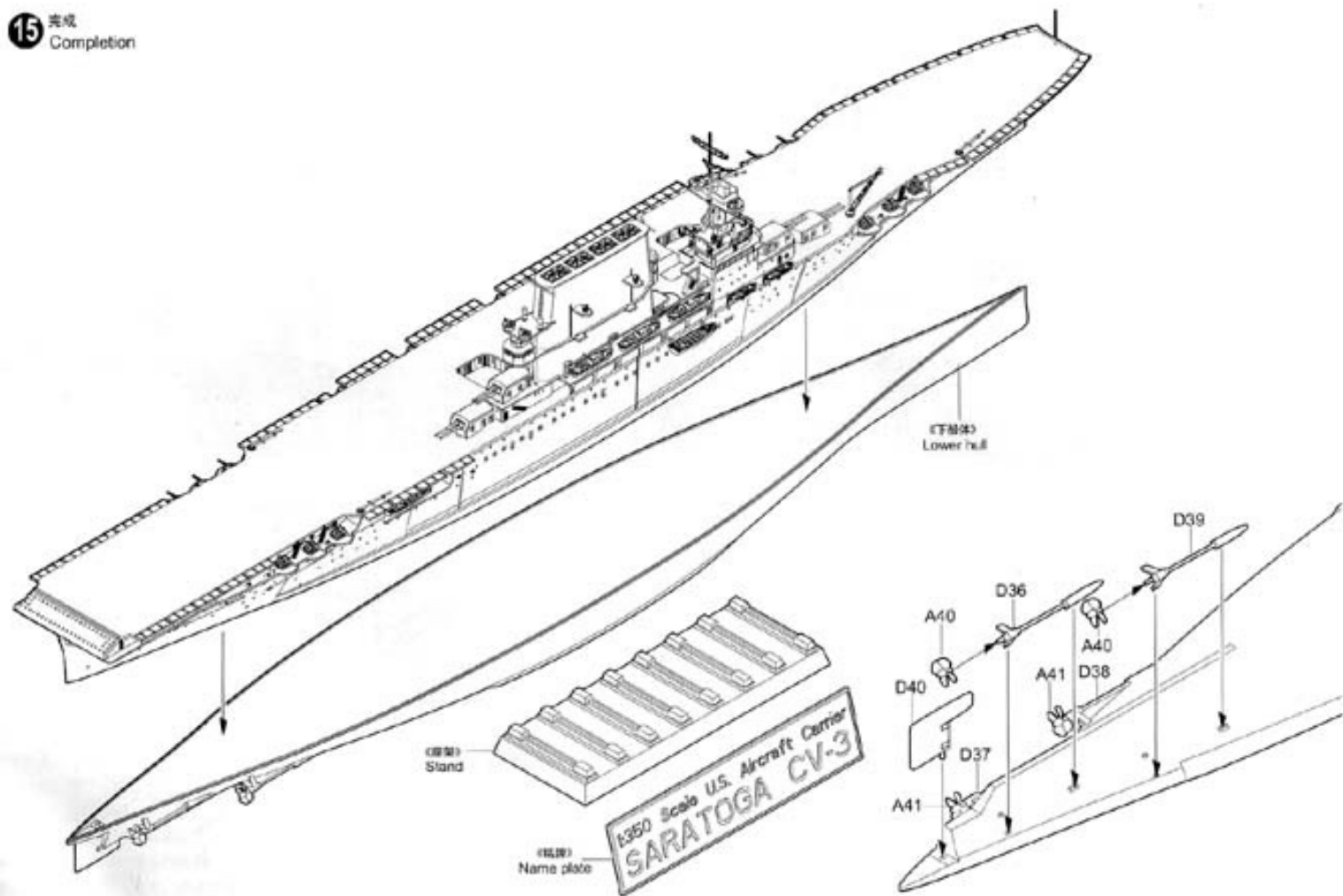


13 舰桥部分的组装
Assembly of stand

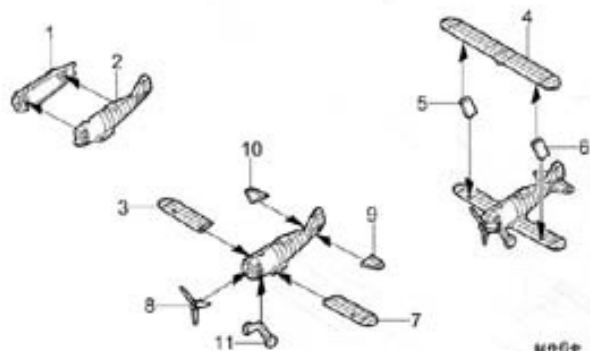




Waterline plate

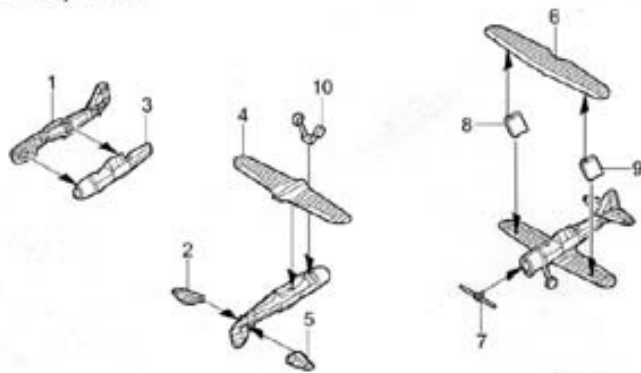


16 F3F飞机组装
Assembly of F3F



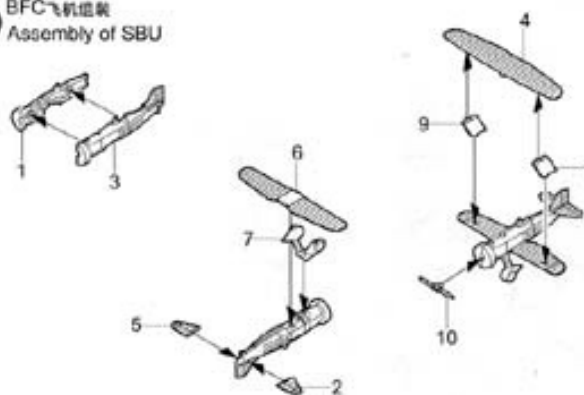
做6架
Make six

17 SBU飞机组装
Assembly of BFC



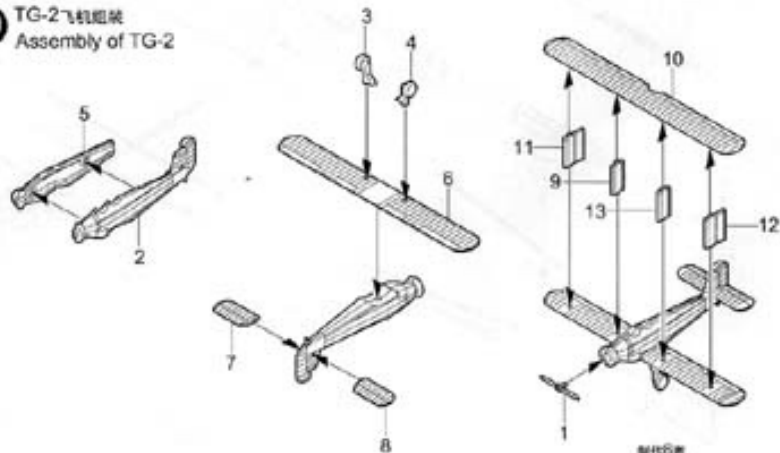
做6架
Make six

18 BFC飞机组装
Assembly of SBU



做6架
Make six

19 TG-2飞机组装
Assembly of TG-2



做6架
Make six