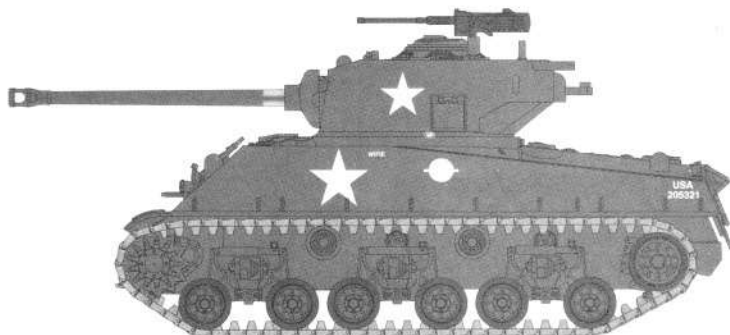


1:72 SCALE

ITEM NO.:07225

M4A3E8 TANK (T66 Track)

M4A3E8 坦克(T66履带)



READ BEFORE ASSEMBLY:

- This kit is not recommended for inexperienced modelers or for children under 14 years of age
- Study and understand these instructions thoroughly before beginning assembly
- When needed, remove photo-etch parts carefully using a modeling knife or photo etch sprue cutter, being careful not to damage or lose small parts.
- Take extra care in handling photo etch parts in order to avoid injury
- Apply instant cement sparingly to photo etch parts where instructed
- Tools recommended(not included in kit):Plastic and instant cements,sprue cutters,long nose pliers,,modeling knife, small files, tweezers, pin vise & scissors. Soft cloth and sandpaper will also assist in construction
- Glue and paint are not included in the kit. Use plastic cement and hobby paints only. Color guide for purchasing paint is included in the kit.
- Keep out of reach of small children. They must not be allowed to ingest small parts or handle plastic bags in any way.

装配之前仔细阅读

- 小心用模型锉刀锉平所有零件表面的注射浇口。
- 小心用刀片切下蚀刻片零件，不要遗失小零件。
- 用强力快干胶水粘合蚀刻片零件和金属轴。过量的快干胶水使用可能导致可动零件会粘住，小心涂胶。
- 取蚀刻片时应特别注意安全，防止利边划伤手指。
- 某些零件表面需贴上水贴纸，请选择在装配的同时进行。
- 推荐模型工具(自备)：胶水，水口剪刀，长咀钳，刀片，锉刀，镊子，钳，钻，剪刀，瞬间快干胶。
- 软布同砂纸同时也应该是必备工具。
- 请使用塑料胶水和油漆，模型内不含。
- 谨防小孩吸吮塑料零件，或者将塑料袋套在头上，制作时应将套材远离小孩接触。
- 本产品不适合14岁以下没有经验的模型爱好者。



cyanoacrylate glue
使用强力胶



weight
配重



make hole
钻孔



cut / remove
切除



bend
弯曲



file / sand
锉平



option
选择



no cement
不涂胶水



decal
贴纸

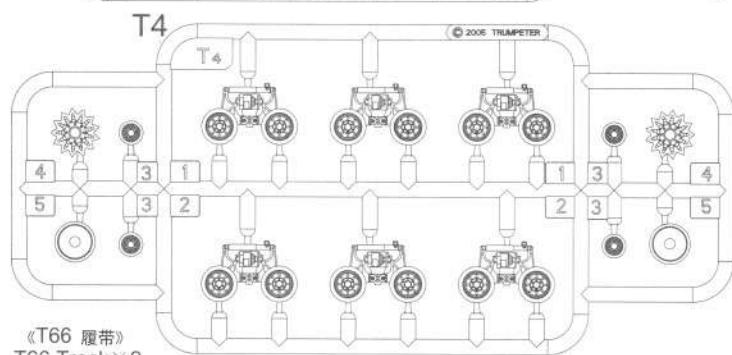
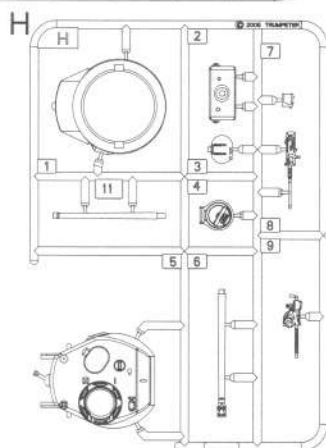
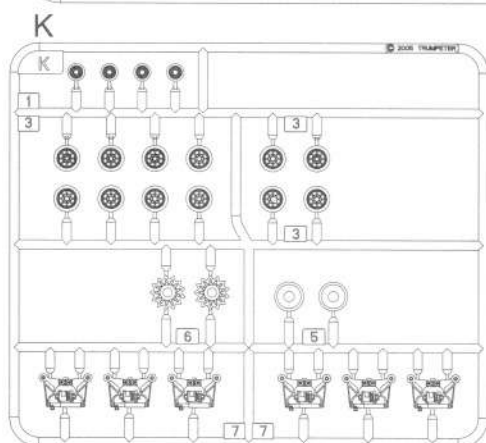
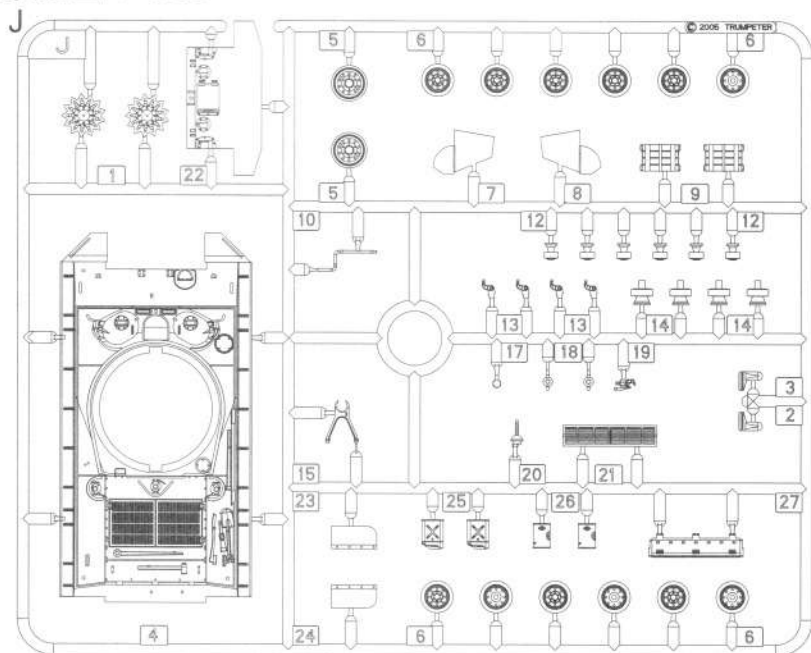
水贴纸的使用:

1. 从水贴上剪下印花;
2. 将印花放入温水中浸10秒, 然后放在干净布上。
3. 拿着印花纸板将印花移到模型上;
4. 手指蘸水将印花移到适当的位置;
5. 用软布轻压印花直至水干, 汽泡消失。

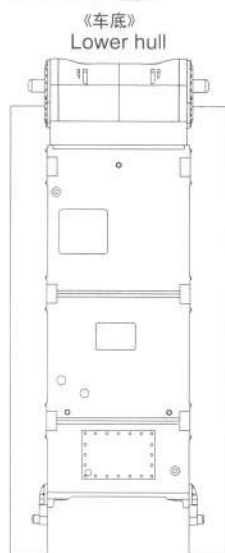
DECAL APPLICATION

1. Cut off decal from sheet.
2. Dip the decal in tepid water 40°C for about 10 sec. and place on a clean cloth.
3. Hold the backing sheet edge and slide decal onto the model.
4. Move decal into position by wetting decal with finger.
5. Press decal gently down with a soft cloth until excess water and air bubbles are gone.
6. Allow decal to dry completely before handling model.

部品图 Parts



《T66 履带》
T66 Track × 2



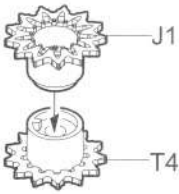
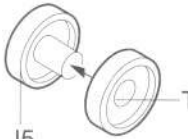
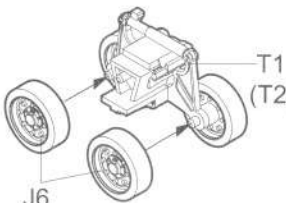
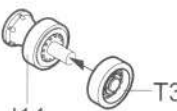
《贴纸》
Decal



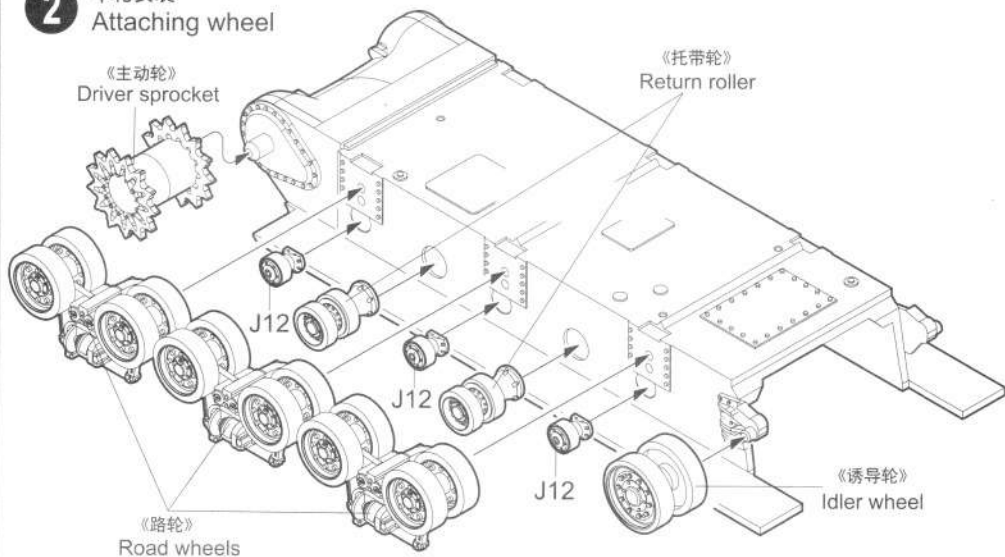
不用部品:
No used parts:H11.

1 车轮组装 Wheel assembly

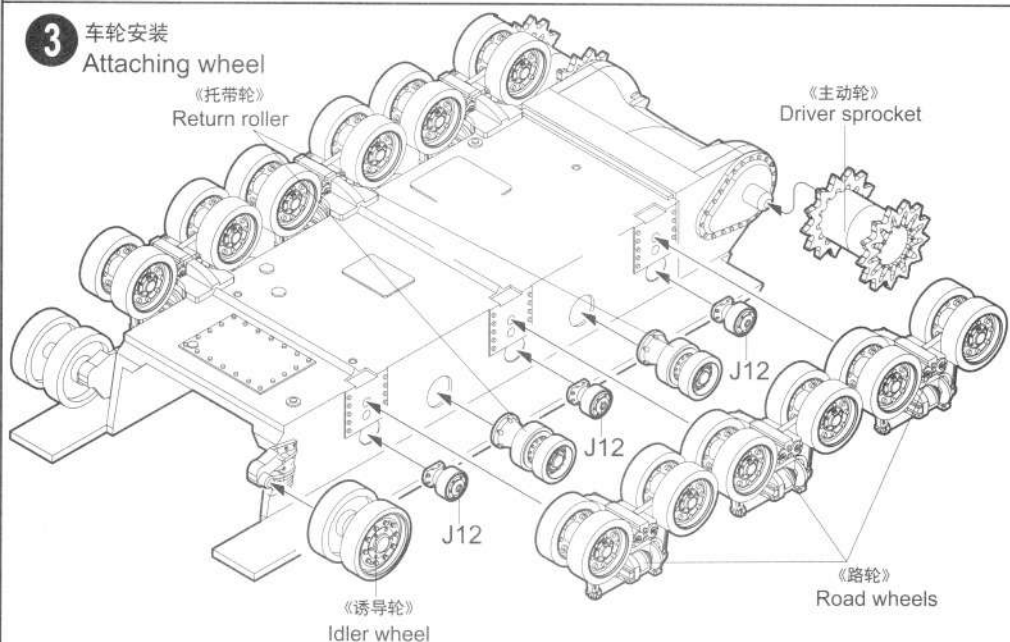
您可以选择组装T版或A版零件。
You can select T sprue parts or A sprue parts for assembly the wheels .

<p>《主动轮》 Driver sprocket</p>  <p>制作2套 Make two</p>	<p>《诱导轮》 Idler wheel</p>  <p>制作2套 Make two</p>	<p>《路轮》 Road wheels</p>  <p>制作6套 Make six</p>	<p>《托带轮》 Return roller</p>  <p>制作4套 Make four</p>
--	---	--	---

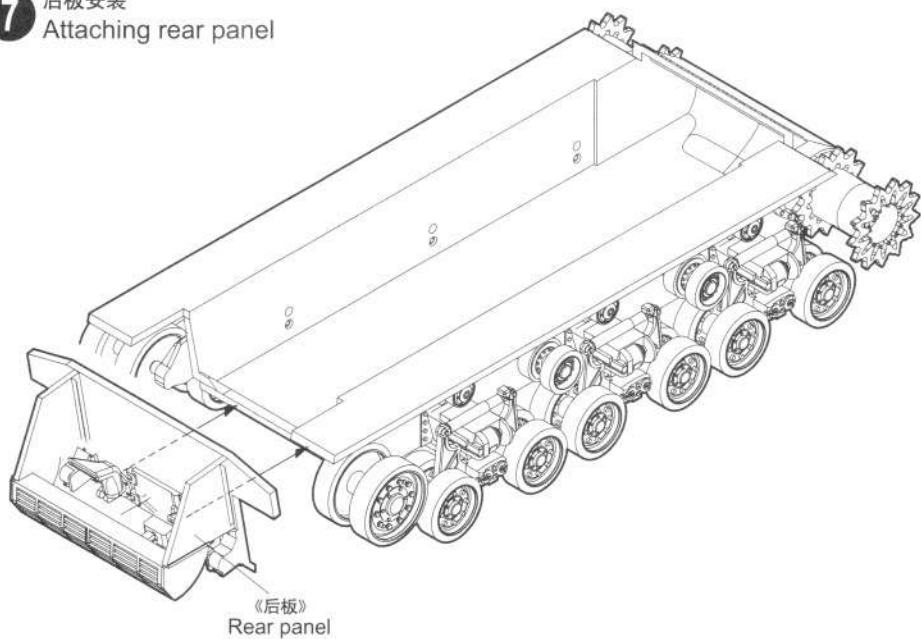
2 车轮安装 Attaching wheel



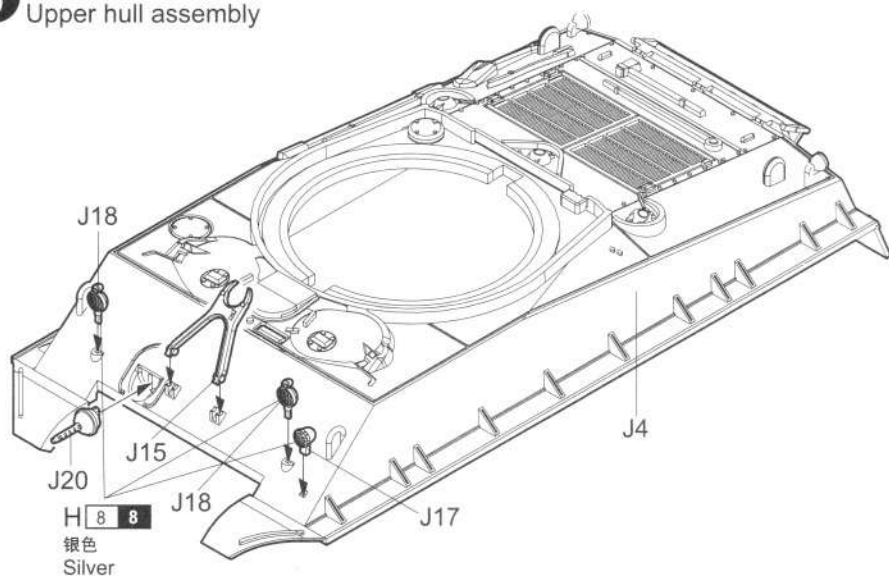
3 车轮安装 Attaching wheel



7 后板安装
Attaching rear panel

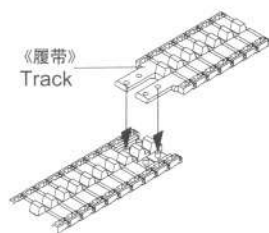


8 车面组装
Upper hull assembly

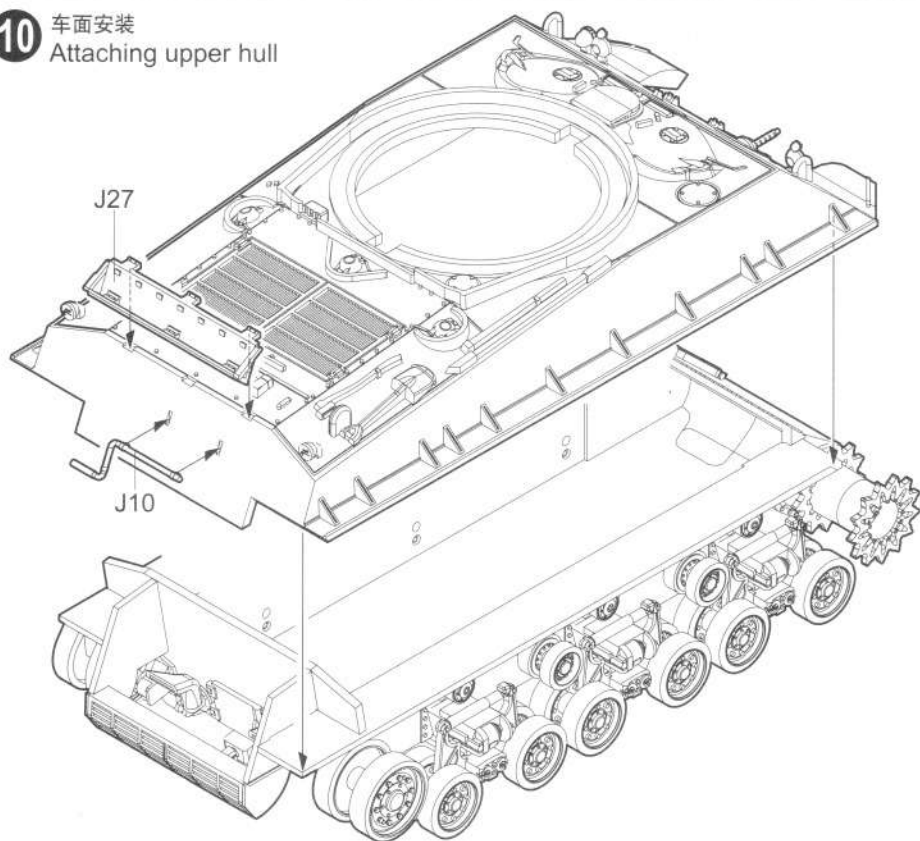


9 T66 履带联接
T66 track construction

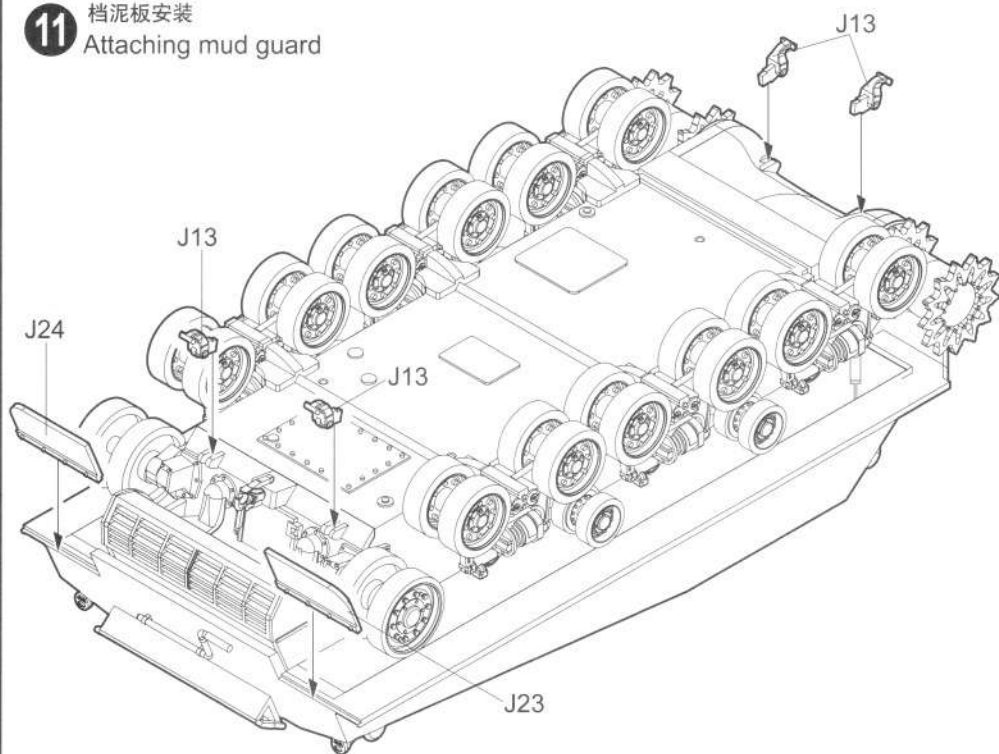
- * 履带可用塑料胶水粘合。
- * 履带可用模型油漆喷涂。
- * 若履带断裂，用细丝线固定。
- * The tracks in this kit can be glued using plastic cement.
- * The tracks can be painted using plastic paints.
- * If track is broken strengthen with staples or thread.



10 车面安装
Attaching upper hull

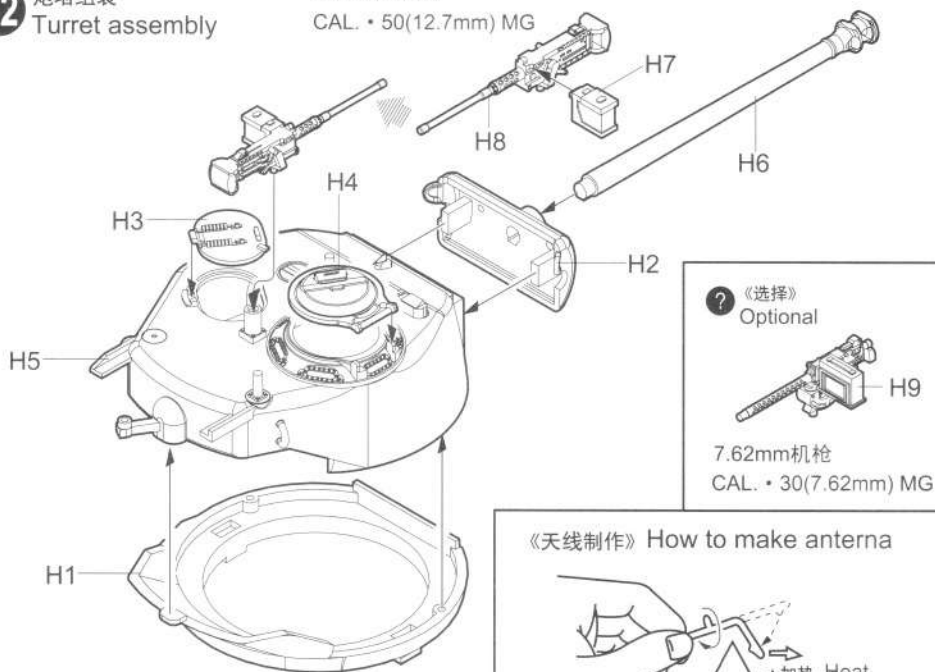


11 档泥板安装
Attaching mud guard

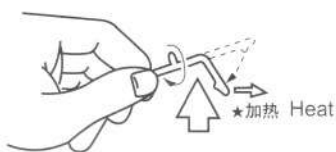


12 炮塔组装
Turret assembly

12.7mm 重机枪
CAL. • 50(12.7mm) MG

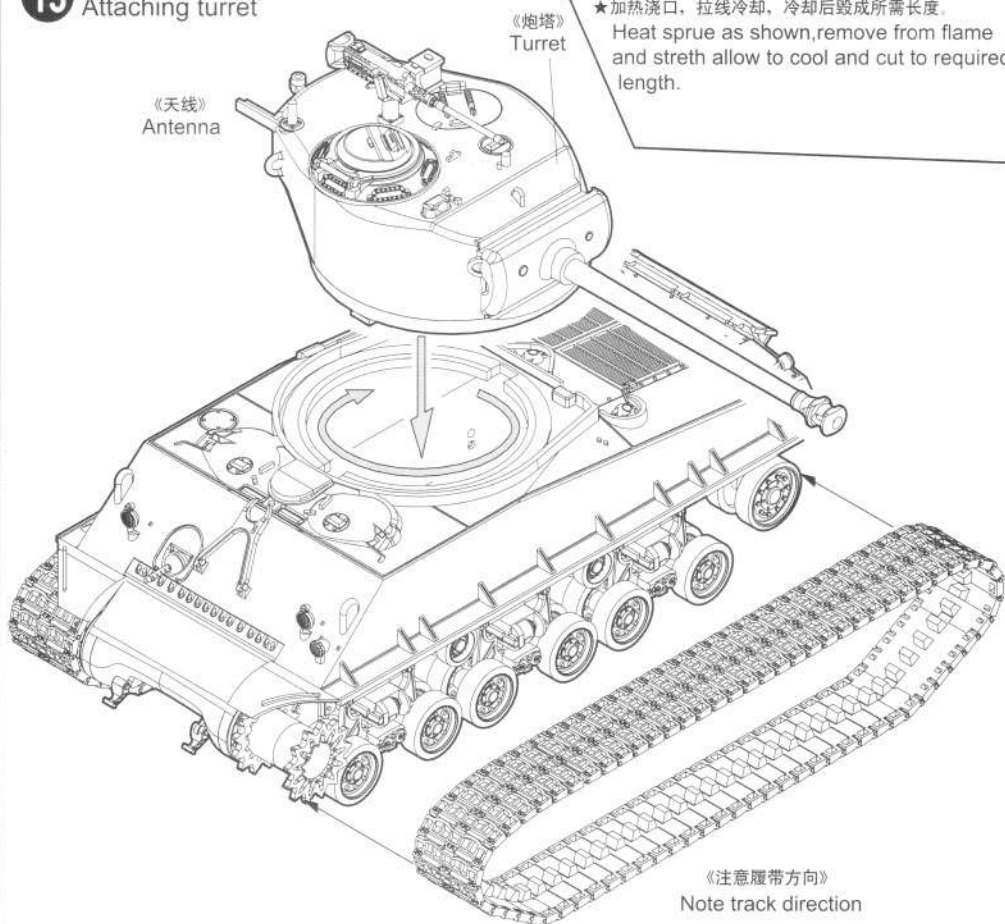


《天线制作》 How to make antenna



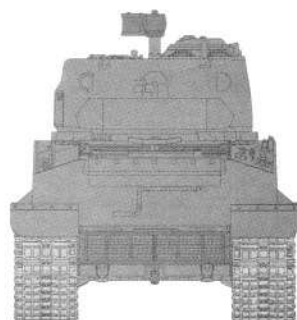
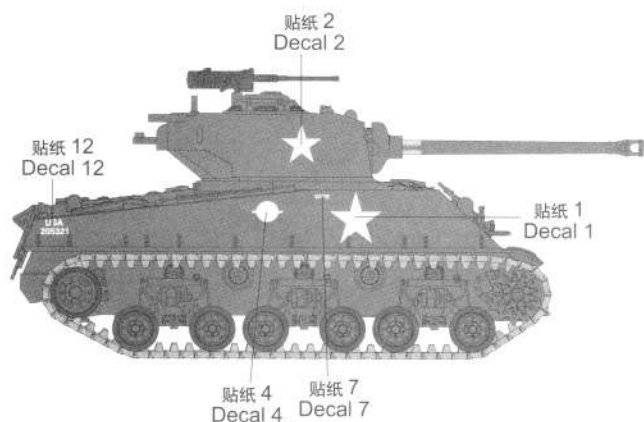
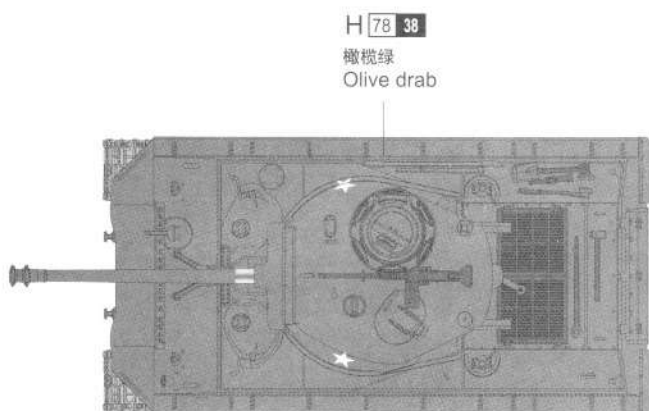
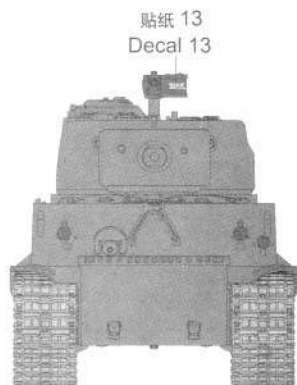
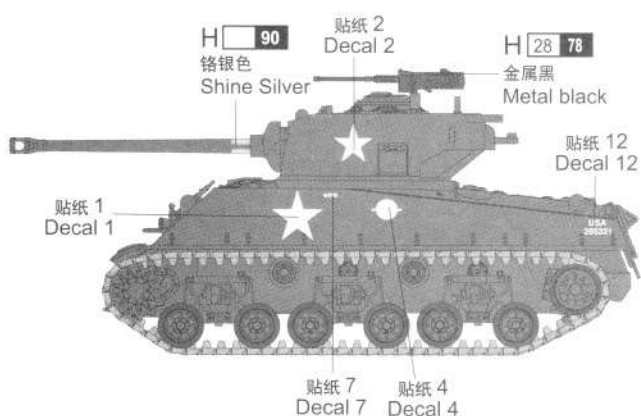
★加热浇口，拉线冷却，冷却后毁成所需长度。
Heat sprue as shown, remove from flame and stretch allow to cool and cut to required length.

13 炮塔安装
Attaching turret



涂装同标贴指示 Painting & Marking guide

使用郡仕公司涂料
Gunze Sangyo Mr. colors used



H X GUNZE SANGYO AQUEOUS HOBBY COLOUR

X X GUNZE SANGYO MR COLOUR



07225 1/72 U.S M4A3E8 TANK (T66 Track)