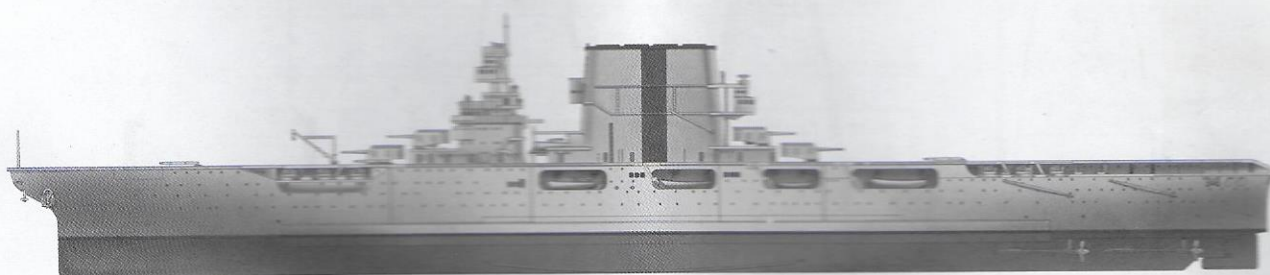


1:700 SCALE

ITEM NO.:05738

USS SARATOGA CV-3

美国海军萨拉托加号航空母舰 CV-3



READ BEFORE ASSEMBLY

- Study and understand this instructions thoroughly before beginning assembly.
- Remove all injection pins carefull using a modeling file.
- Cut off the photo-etched parts carefully using a modeling knife. Be sure not to lose small parts.
- Apply instant cement to photo etched parts and shafts. Apply too much instant cement will cause movable parts to stick. Apply cement carefully.
- Extra care should be taken to avoid personal injury when handling the photo etched parts.
- Some parts should depend on decals. Select prior to assembly.
- Tools recommended: (Not included in this kit)
- Cement; Side cutters; Long nose pliers; Modeling knife; Modeling file; Tweezers; Pin vise; Scissors; Instant cement.
- Soft cloth and sand paper will also assist in construction.
- Glue and paints are not in cluded in the kit. Use plastic cement or paints only.
- Keep out of reach of small children. Children must not be allowed to suck any part, or pull vinyl bay over the head.

装配之前仔细阅读

- 小心用模型锉刀锉平所有零件表面的注射浇口。
- 小心用刀片切下蚀刻片零件，不要遗失小零件。
- 用强力快干胶水粘合蚀刻片零件和金属轴。过量的快干胶水使用可能导致可动零件会粘住，小心涂胶。
- 取蚀刻片时应特别注意安全，防止利边划伤手指。
- 某些零件表面需贴上水贴纸，请选择在装配的同时进行。
- 推荐模型工具(自备)：胶水，水口剪刀，长咀钳，刀片，锉刀，镊子，钻，剪刀，瞬间快干胶。
- 软布同砂纸同时也应该是必备工具。
- 请使用塑料胶水和油漆，模型内不含。
- 谨防小孩吸吮塑料零件，或者将塑料袋套在头上，制作时应将零件远离小孩接触。
- 本产品不适合14岁以下没有经验的模型爱好者。



cyanoacrylate glue
使用强力胶



weight
配重



make hole
钻孔



cut / remove
切除



bend
弯曲



file / sand
锉平



option
选择



no cement
不准胶水



decal
贴纸

水贴纸的使用:

1. 从水贴上剪下印花;
2. 将印花放入温水中浸10秒, 然后放在干净布上.
3. 拿着印花纸板将印花移到模型上;
4. 手指蘸水将印花移到适当的位置;
5. 用软布轻压印花直至水干, 气泡消失.

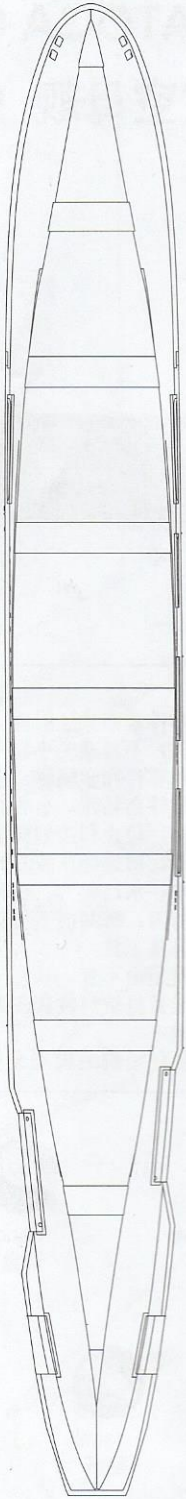
DECAL APPLICATION

1. Cut off decal from sheet.
2. Dip the decal in tepid water 40°C for about 10 sec. and place on a clean cloth.
3. Hold the backing sheet edge and slide decal onto the model.
4. Move decal into position by wetting decal with finger.
5. Press decal gently down with a soft cloth until excess water and air bubbles are gone.

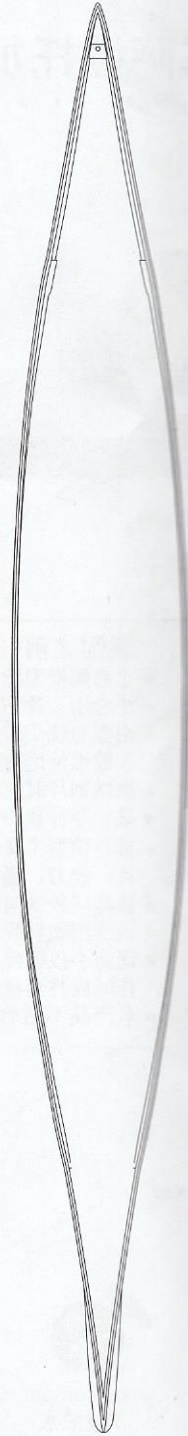
部品图

Parts:

上船体
Upper hull



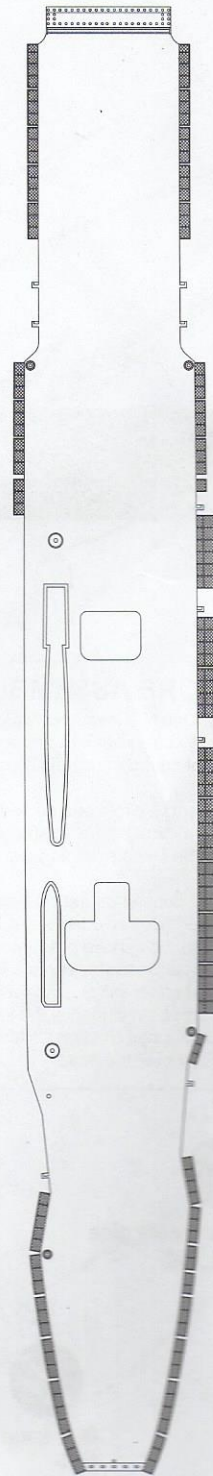
下船底
Lower hull



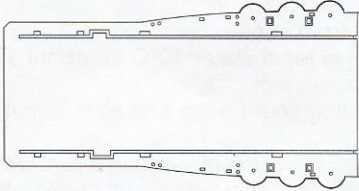
水线板
Waterline plate



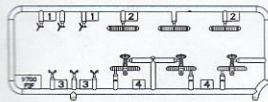
飞行甲板
Flight deck



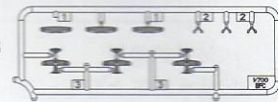
后甲板
Aft deck



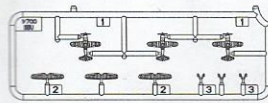
F3Fx3



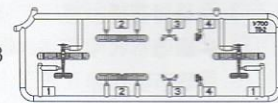
BFCx3



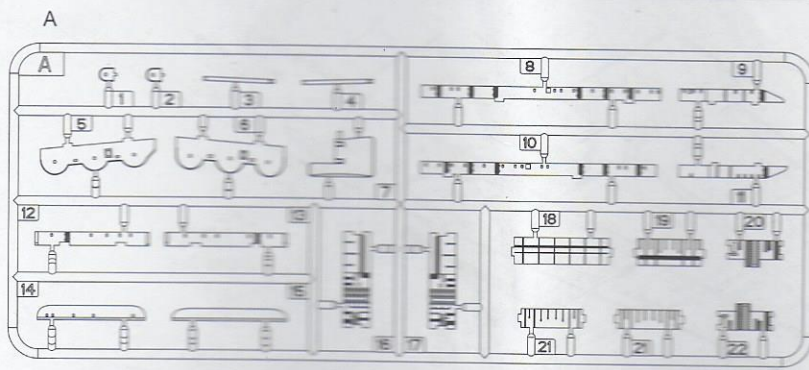
SBUx3



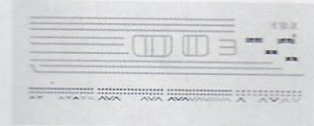
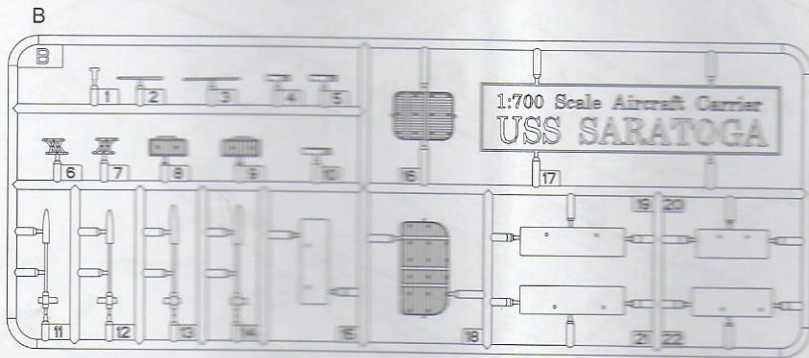
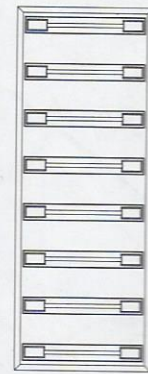
TG-2x3



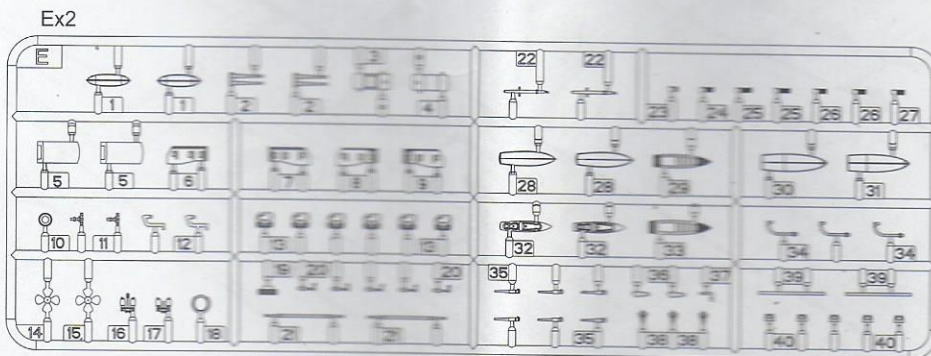
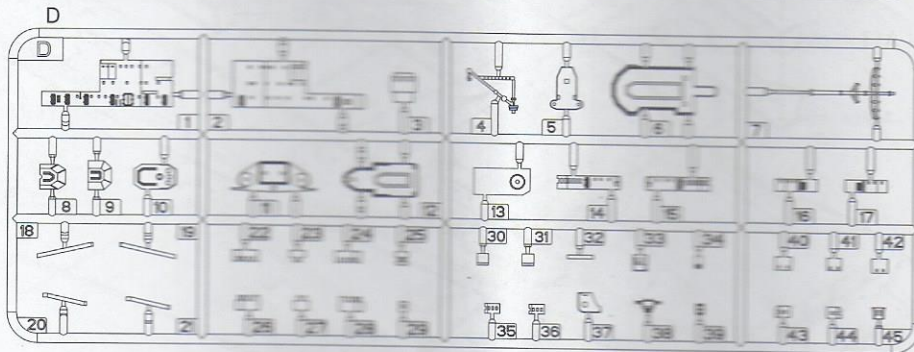
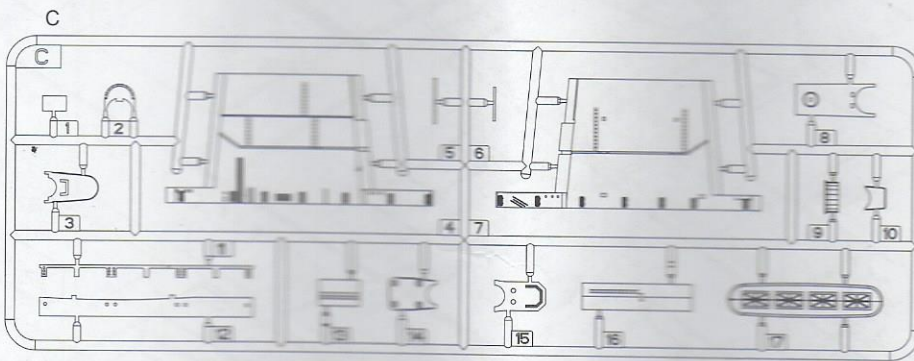
部品图
Parts:



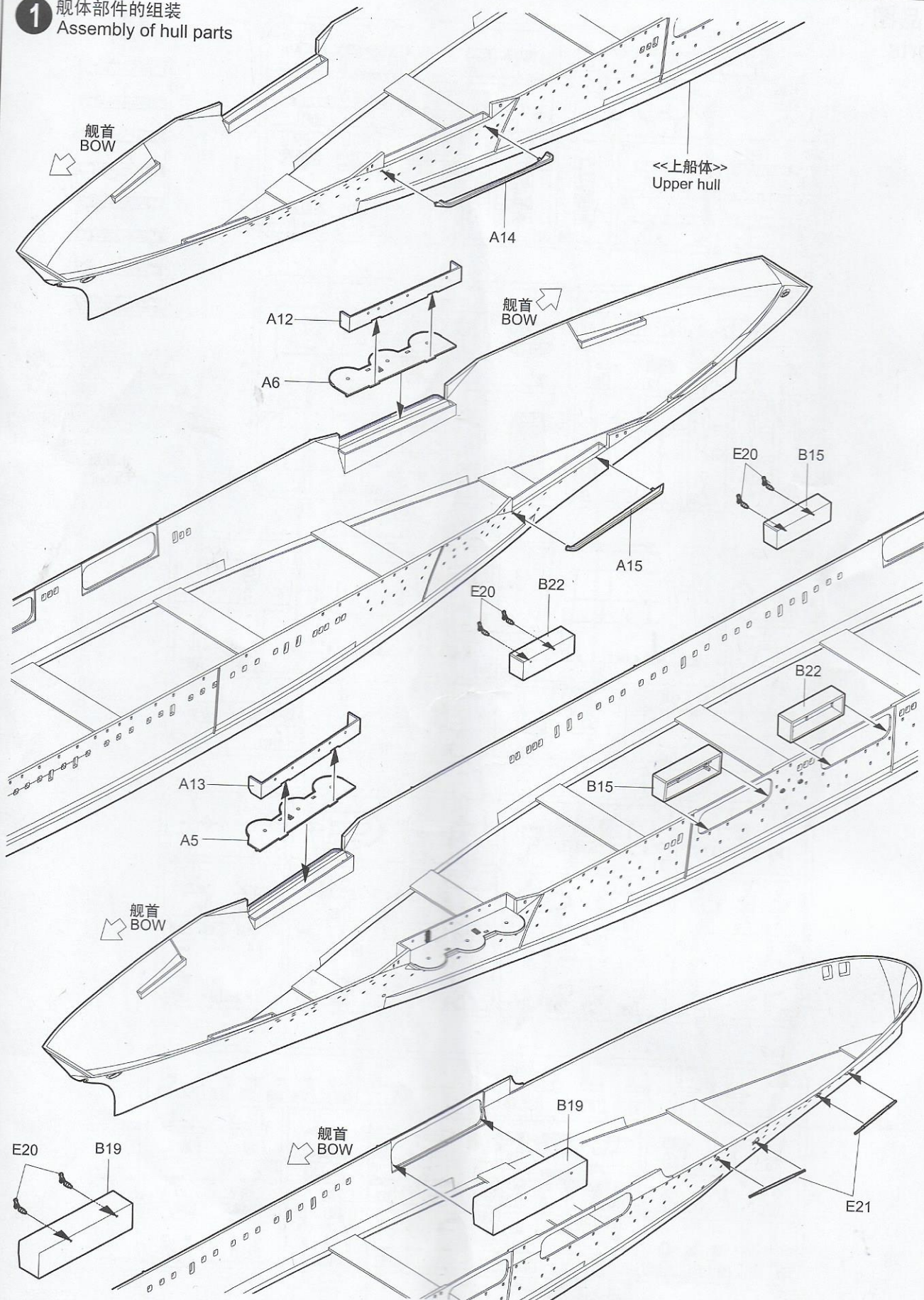
座架
Stand



水贴纸
Decal



1 舰体部件的组装
Assembly of hull parts



2 舰体部件的组装
Assembly of hull parts

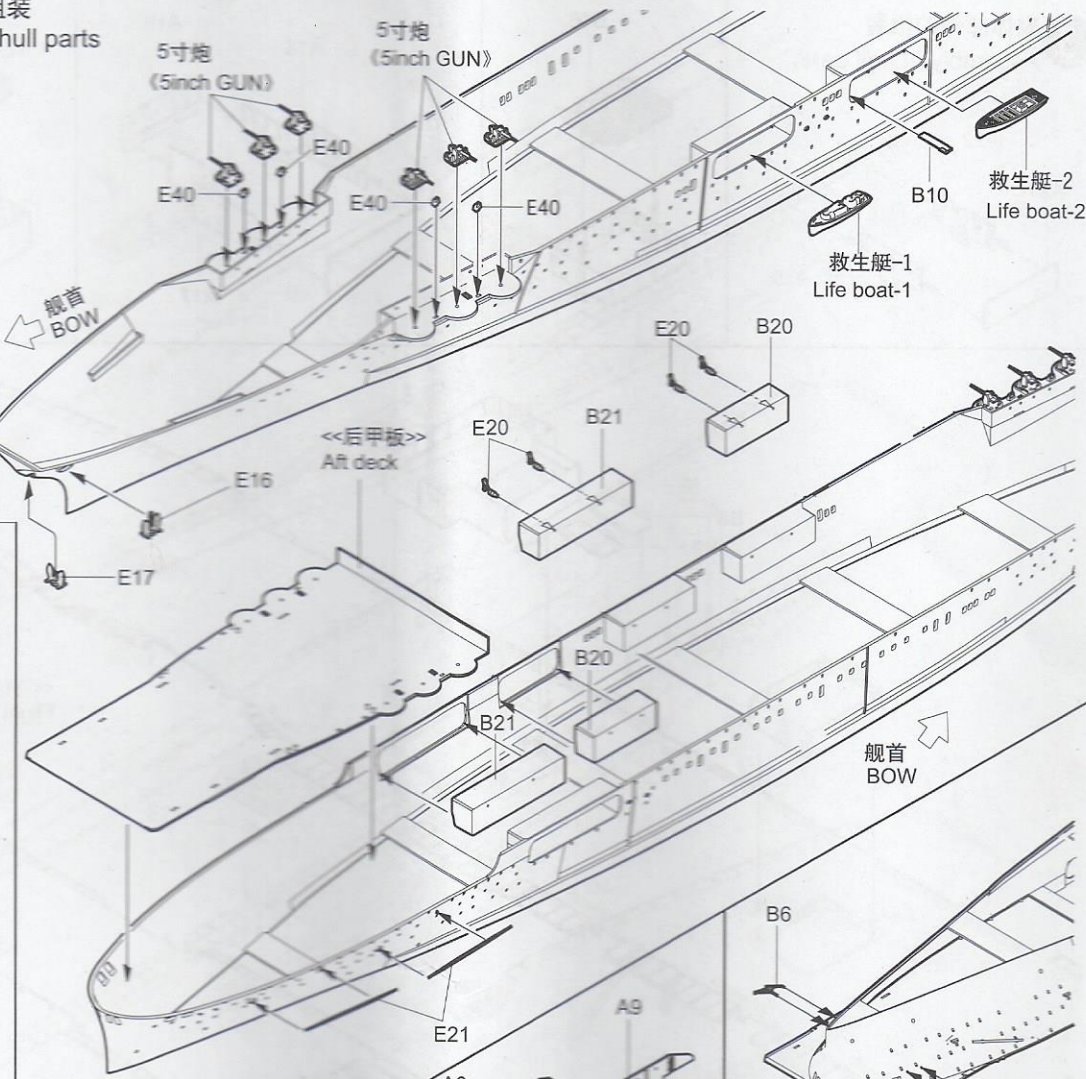
5inch炮
《5inch GUN》

E35

E13

制作12套

E16



救生艇-1
Life boat-1

E32

E28
制作四套
Make four

救生艇-2
Life boat-2

E33

E30

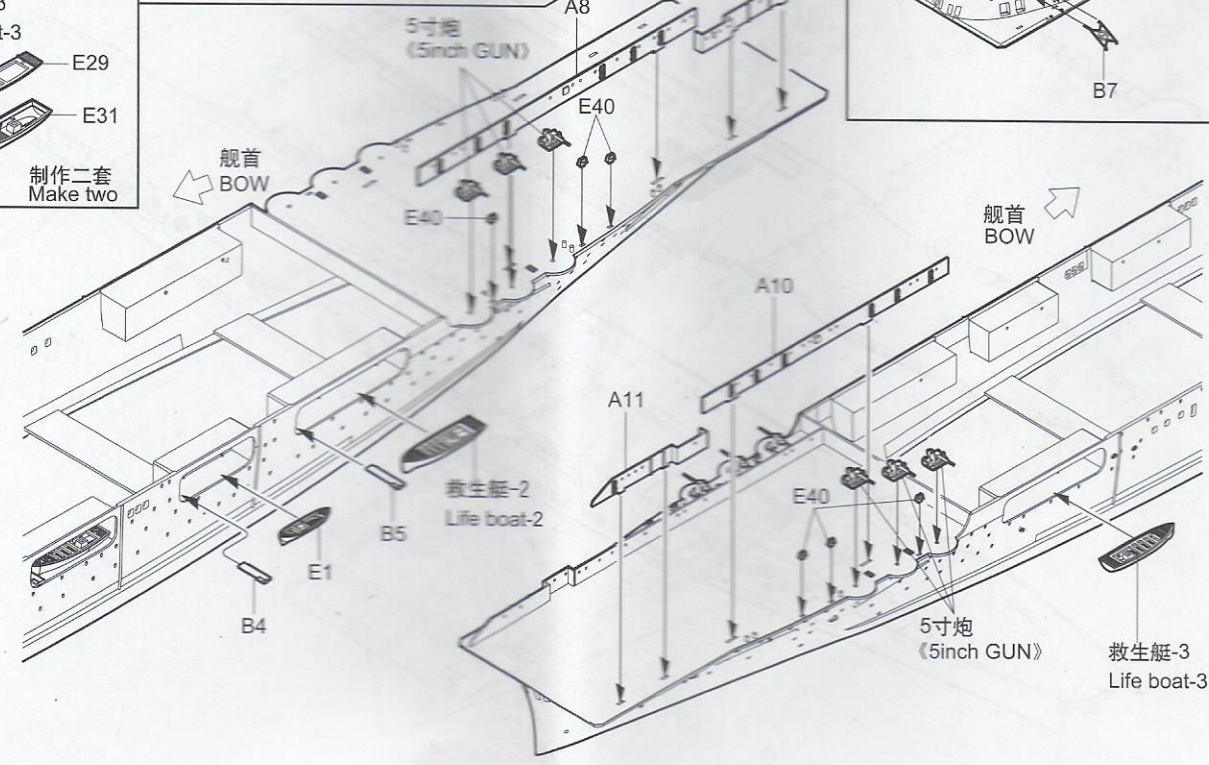
制作二套
Make two

救生艇-3
Life boat-3

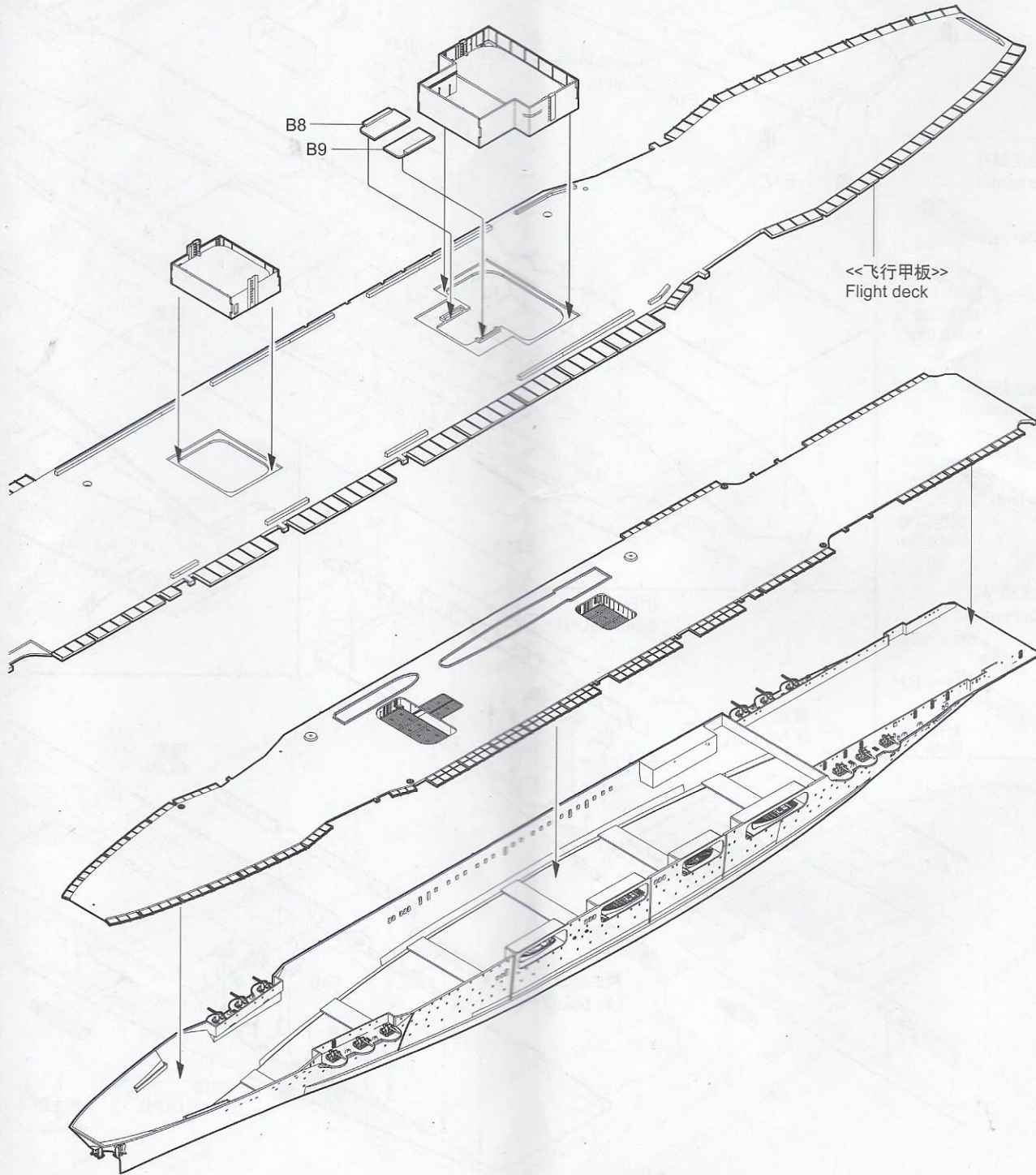
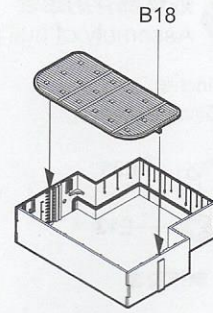
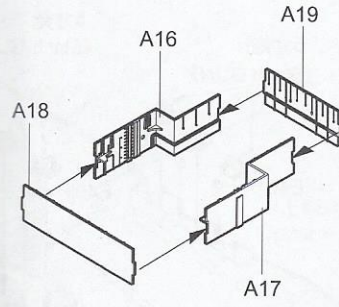
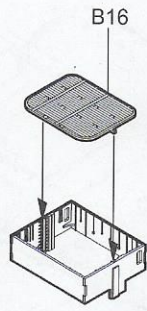
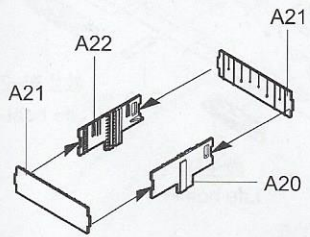
E29

E31

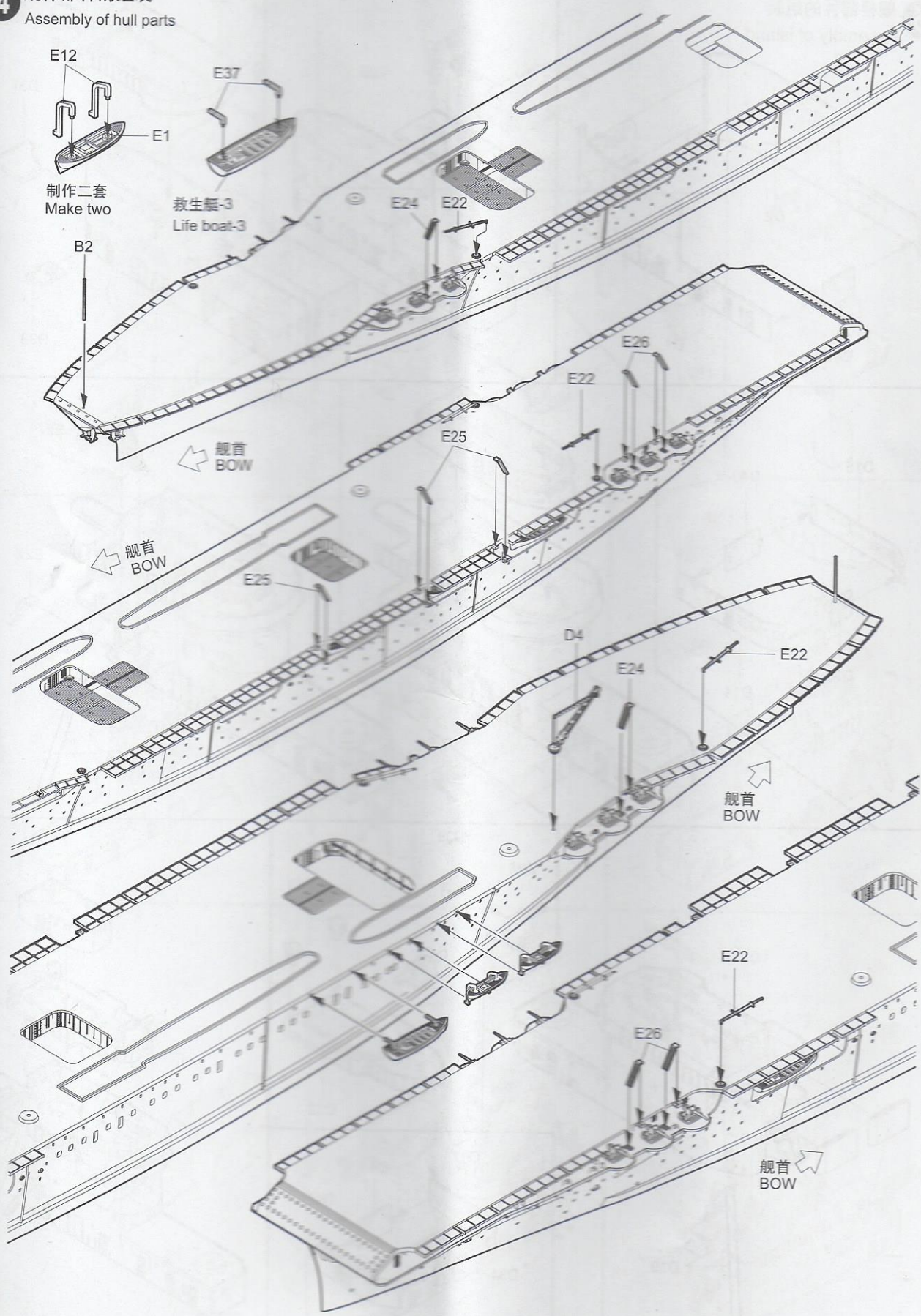
制作二套
Make two



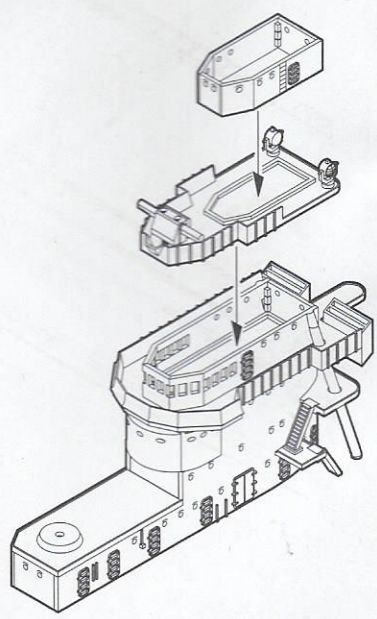
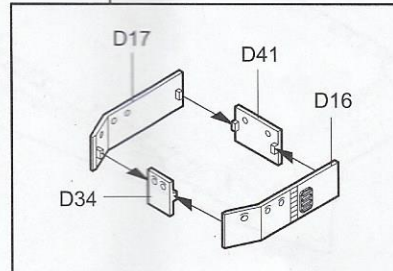
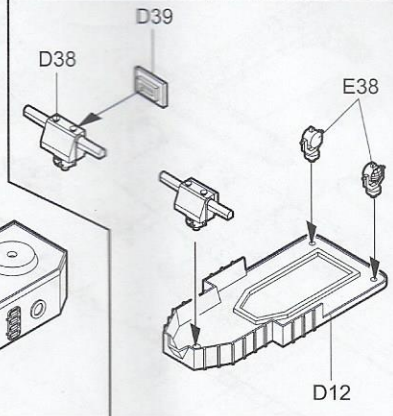
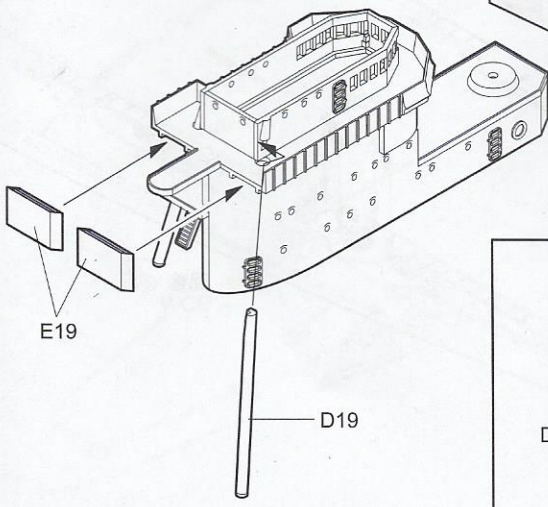
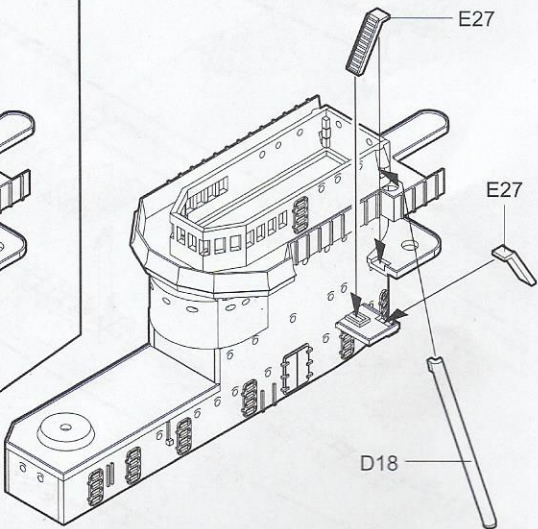
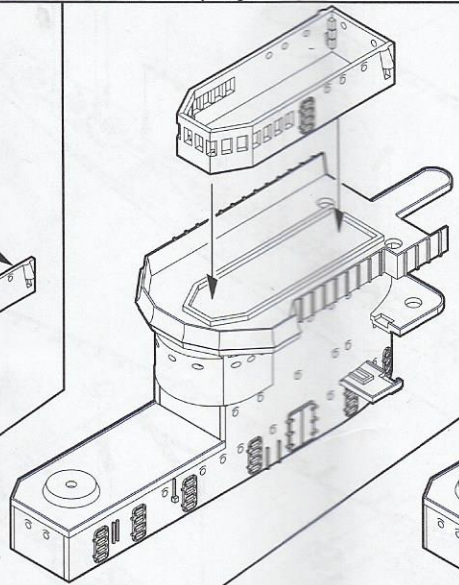
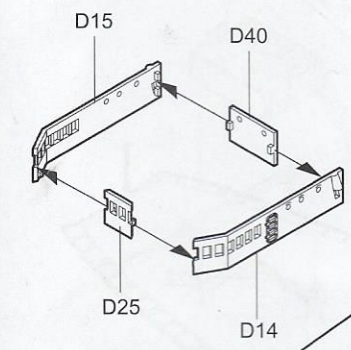
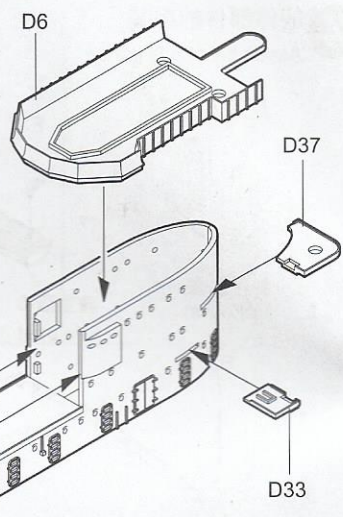
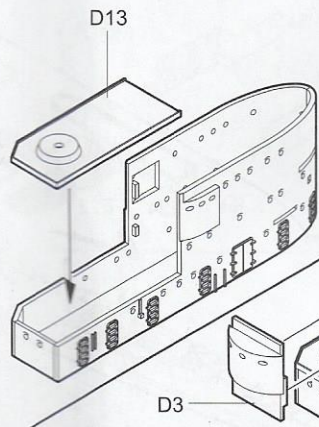
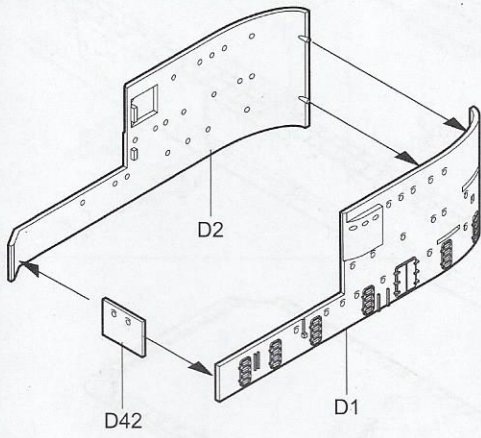
3 舰体部件的组装
Assembly of hull parts



4 舰体部件的组装
 Assembly of hull parts



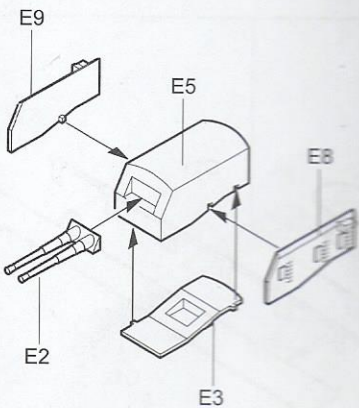
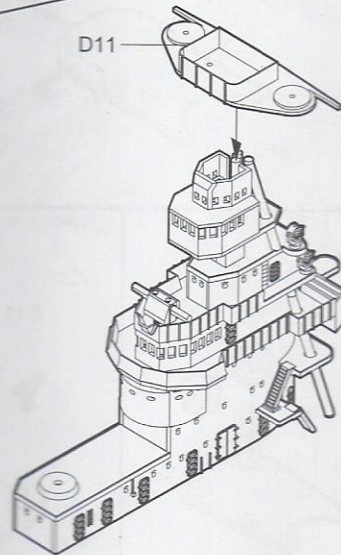
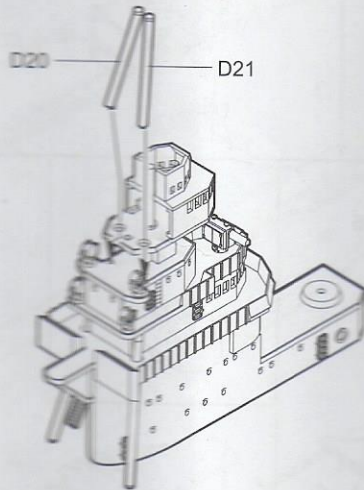
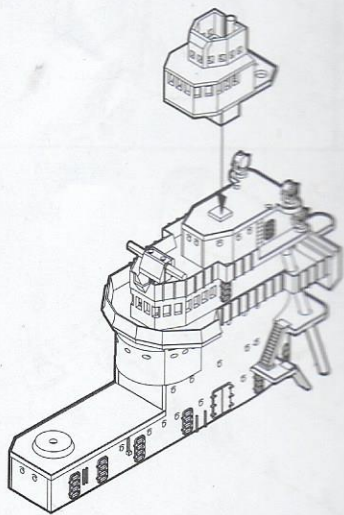
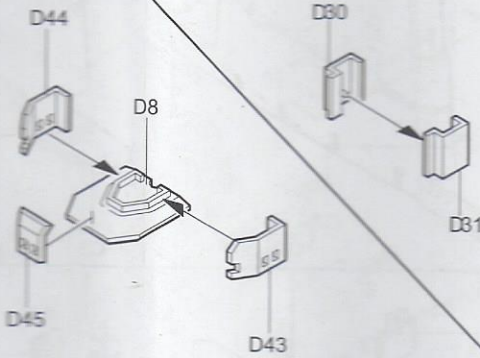
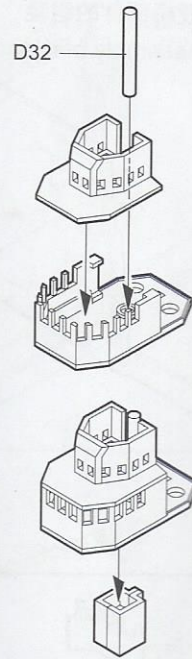
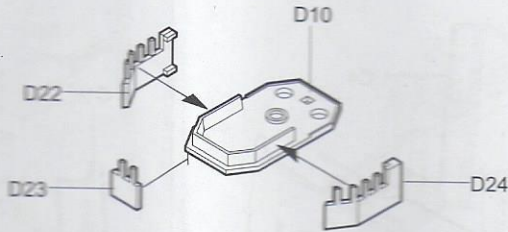
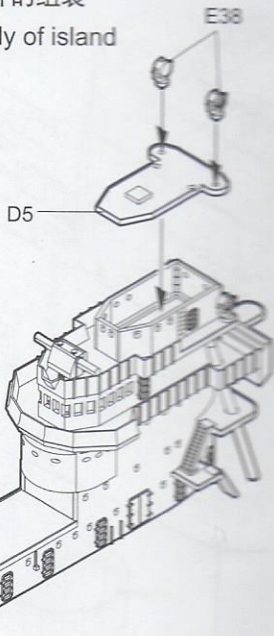
5 舰桥部件的组装
Assembly of island



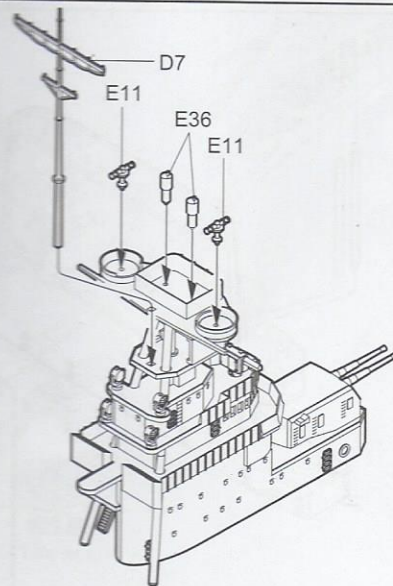
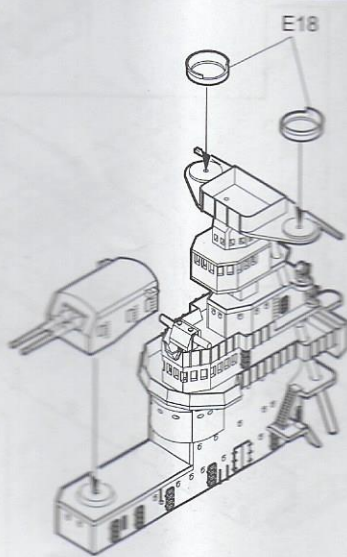
6

舰桥部件的组装

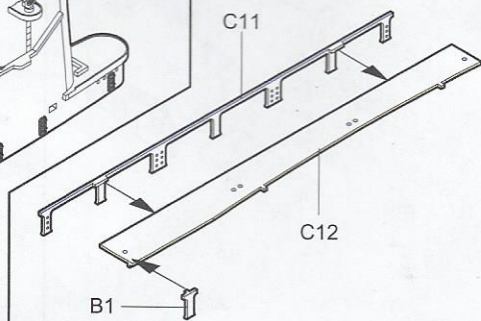
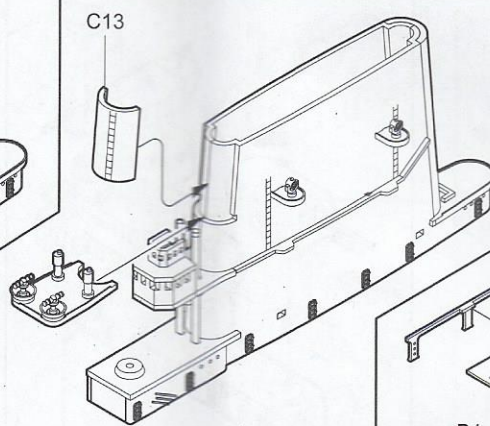
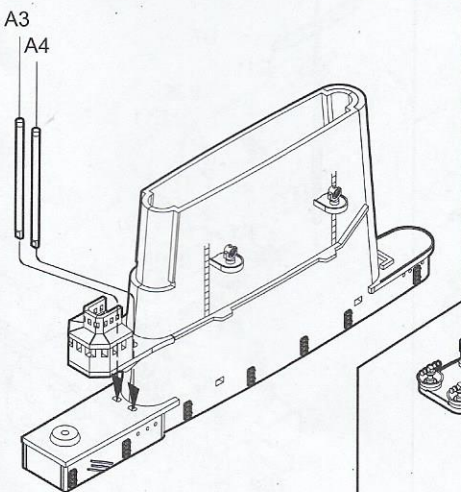
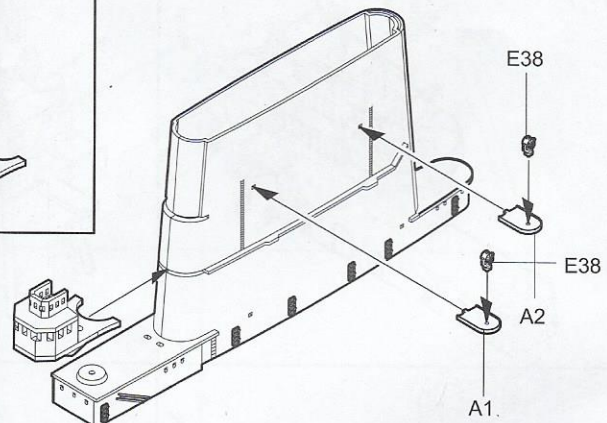
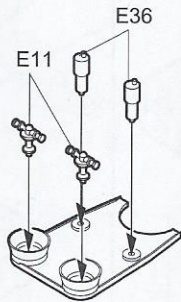
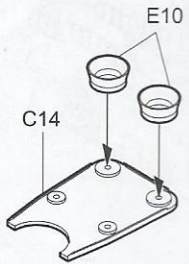
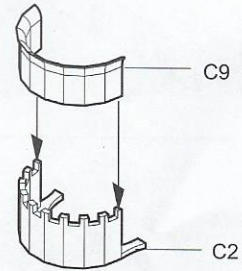
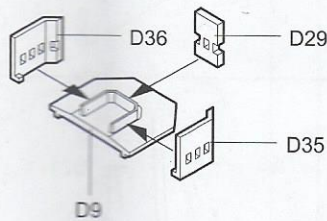
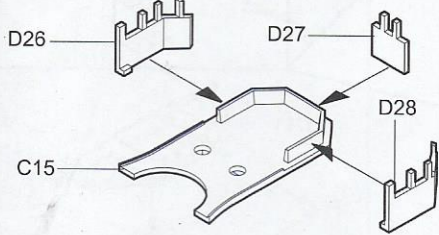
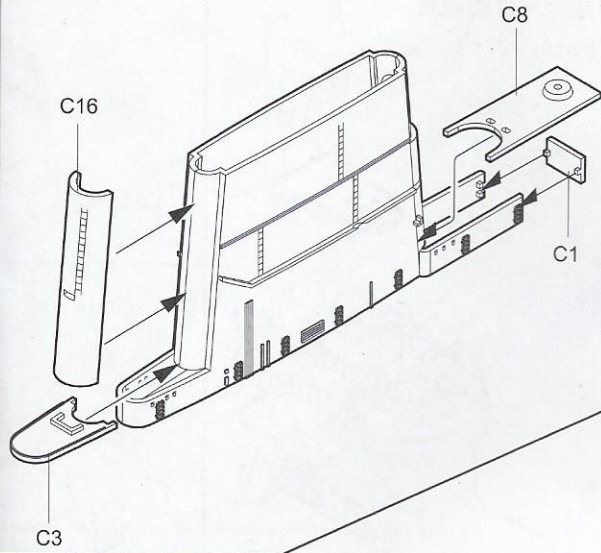
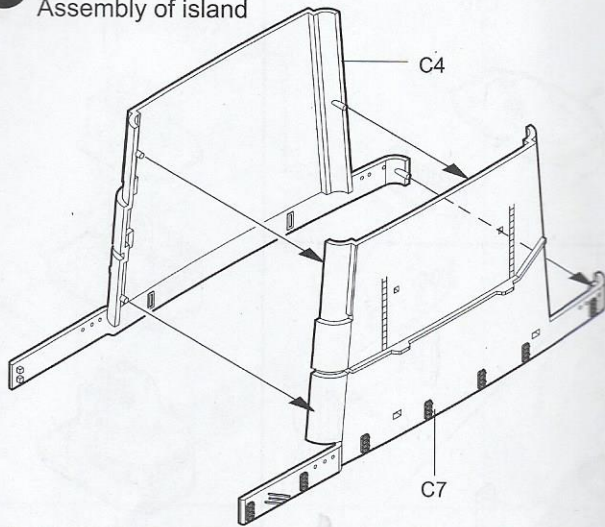
Assembly of island



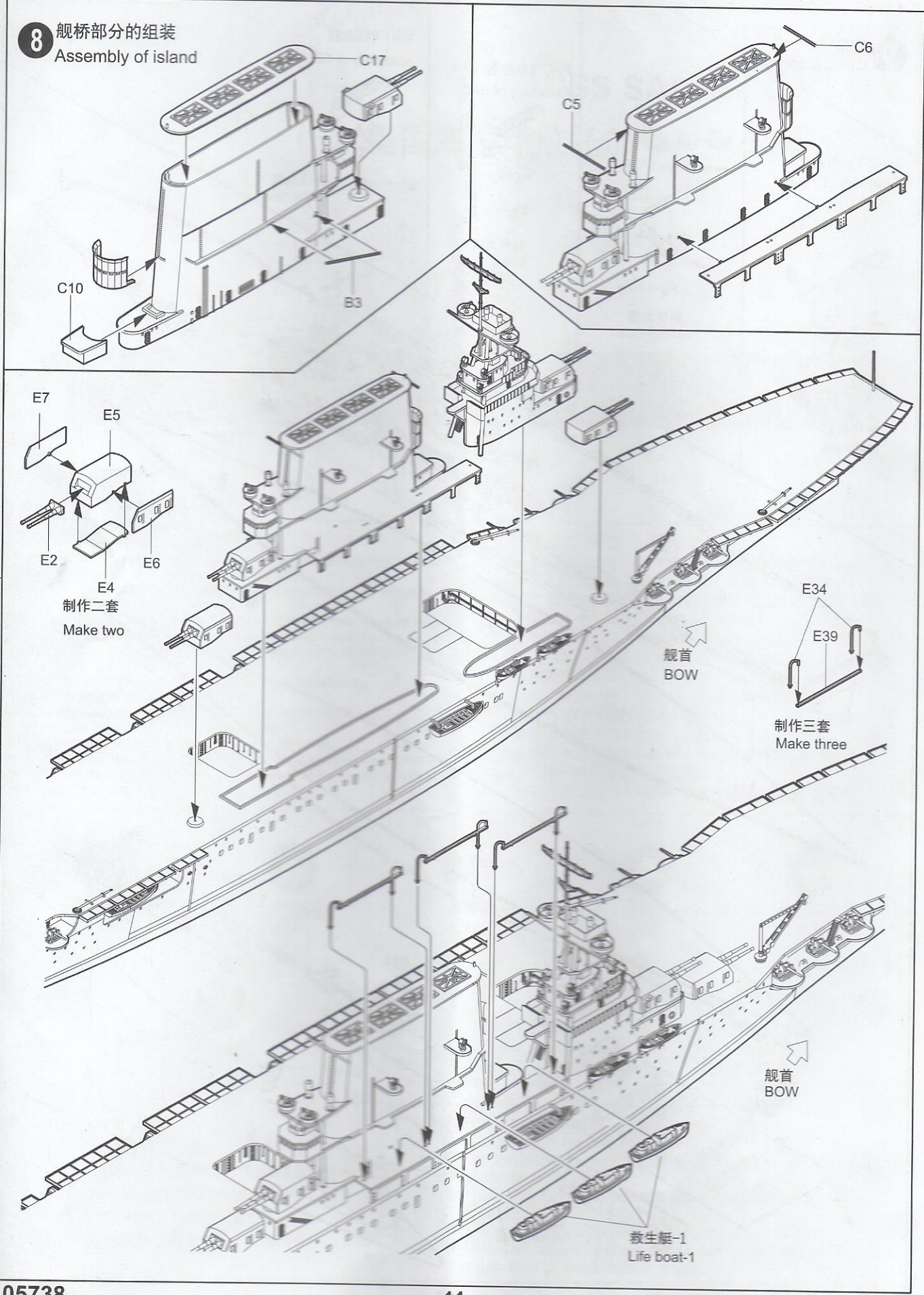
制作二套
Make two



7 舰桥部件的组装
Assembly of island

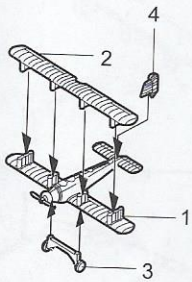


8 舰桥部分的组装
 Assembly of island



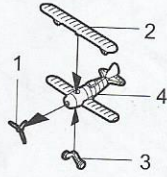
9 完成
Completion

TG-2飞机组装
Assembly of TG-2



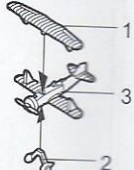
制作六套
Make six

F3F飞机组装
Assembly of F3F



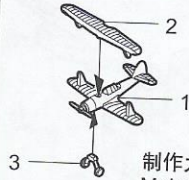
制作九套
Make nine

BFC飞机组装
Assembly of BFC

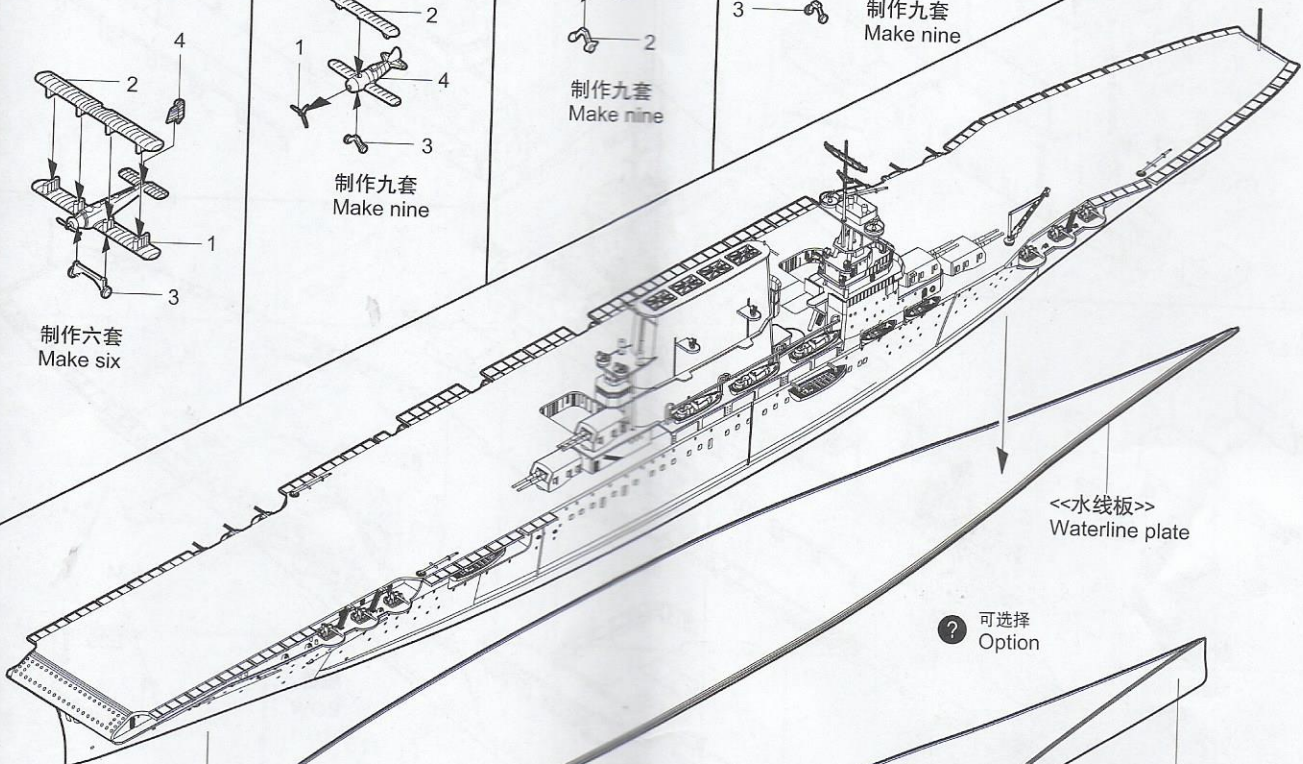


制作九套
Make nine

SBU飞机组装
Assembly of SBU



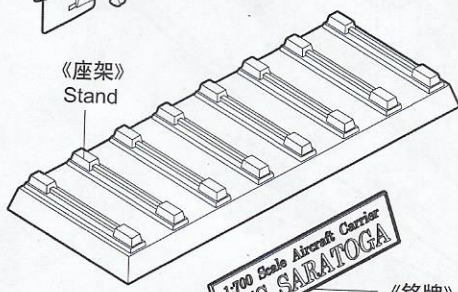
制作九套
Make nine



<<水线板>>
Waterline plate

可选择
Option

下船底
Lower hull



《座架》
Stand

1:700 Scale Aircraft Carrier
USS SARATOGA

《铭牌》
Name plate

