

1/48 SCALE

ITEM NO.:02823



# “WELLINGTON” MK. III

## “威灵顿” MK. III

### READ BEFORE ASSEMBLY:

- This kit is not recommended for inexperienced modelers or for children under 14 years of age
- Study and understand these instructions thoroughly before beginning assembly
- When needed, remove photo-etch parts carefully using a modeling knife or photo etch sprue cutter, being careful not to damage or lose small parts.
- Take extra care in handling photo etch parts in order to avoid injury
- Apply instant cement sparingly to photo etch parts where instructed

- Tools recommended(not included in kit):Plastic and instant cements,sprue cutters,long nose pliers,modeling knife, small files, tweezers, pin vise & scissors. Soft cloth and sandpaper will also assist in construction
- Glue and paint are not included in the kit. Use plastic cement and hobby paints only. Color guide for purchasing paint is included in the kit.
- Keep out of reach of children. They must not be allowed to ingest small parts or handle plastic bags in any way.

### 装配之前仔细阅读

- 小心用模型锉刀锉平所有零件表面的注射浇口。
- 小心用刀片切下蚀刻片零件，不要遗失小零件。
- 用强力快干胶水粘合蚀刻片零件和金属轴。过量的快干胶水使用可能导致可动零件会粘住，小心涂胶。
- 取蚀刻片时应特别注意安全，防止利边划伤手指。
- 某些零件表面需贴上水贴纸，请选择在装配的同时进行。
- 推荐模型工具(自备)：胶水，水口剪刀，长咀钳，刀片，锉刀，镊子钳，钻，剪刀，瞬间快干胶。
- 软布同砂纸同时也应该是必备工具。
- 请使用塑料胶水和油漆，模型内不含。
- 谨防小孩吸吮塑料零件，或者将塑料袋套在头上，制作时应将套材远离小孩接触。
- 本产品不适合14岁以下没有经验的模型爱好者。

### 水贴纸的使用:

1. 从水贴纸上剪下印花;
2. 将印花放入温水中浸10秒，然后放在干净布上。
3. 拿着印花纸板将印花移到模型上;
4. 手指蘸水将印花移到适当的位置;
5. 用软布轻压印花直至水干，汽泡消失。

### DECAL APPLICATION:

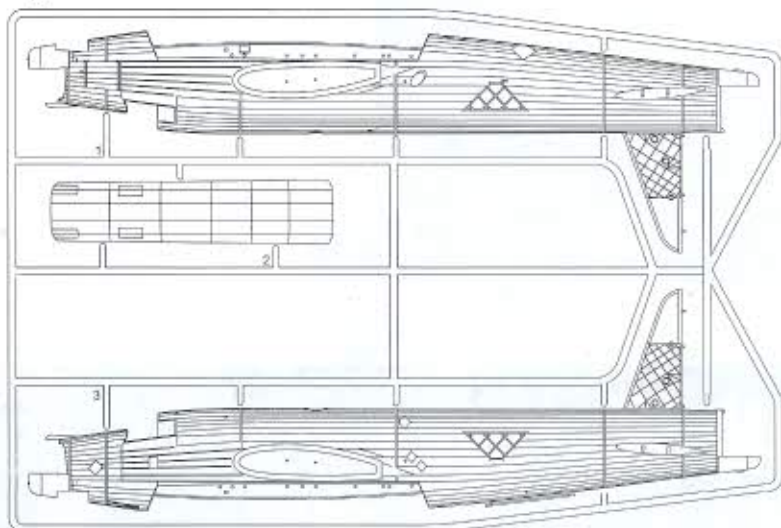
1. Cut decals from sheet as needed
2. Dip the decal in warm water for about 10 seconds and then place on soft clean cloth.
3. Hold the decal backing sheet edge and gently slide the decal onto the model in its proper position.

4. While still wet,decal can be adjusted for better fit on model by dampening it gently with your finger.
5. When placed in the proper position,gently press decal down with a soft cloth until excess water and air bubbles are gone.
6. Allow decal to dry completely before handling model

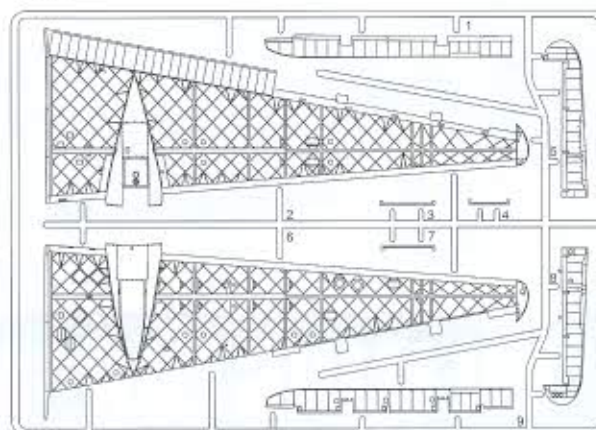


# 部品图 Parts

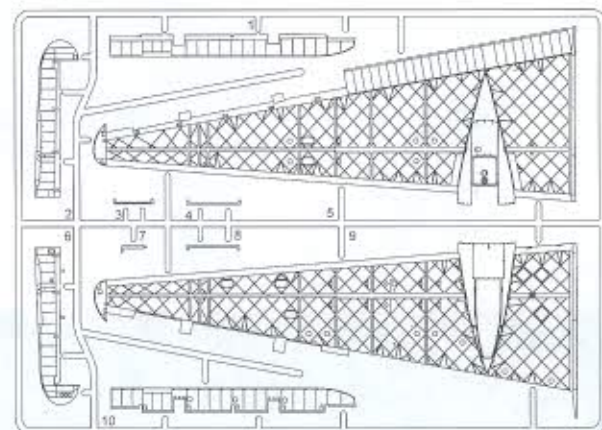
B



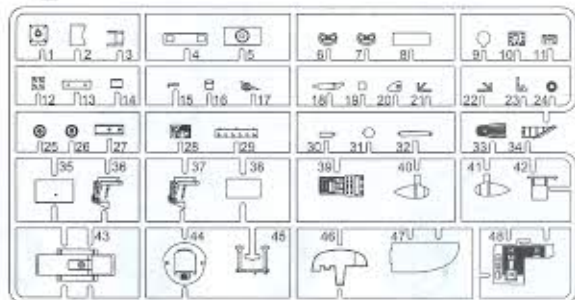
C



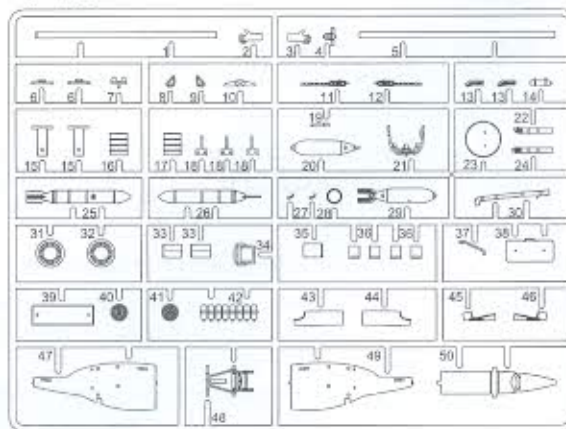
D



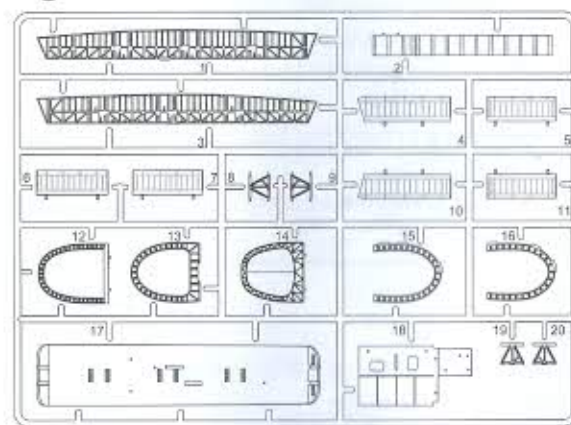
E



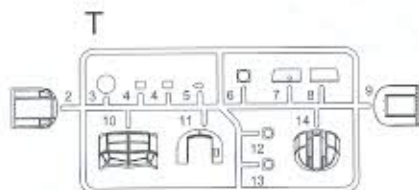
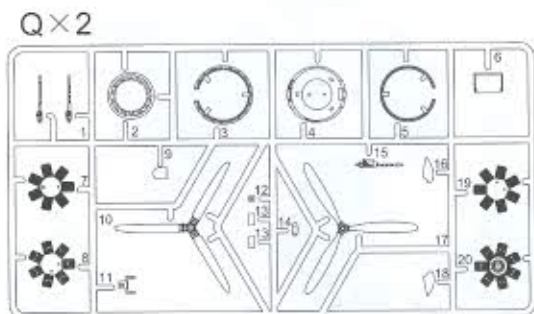
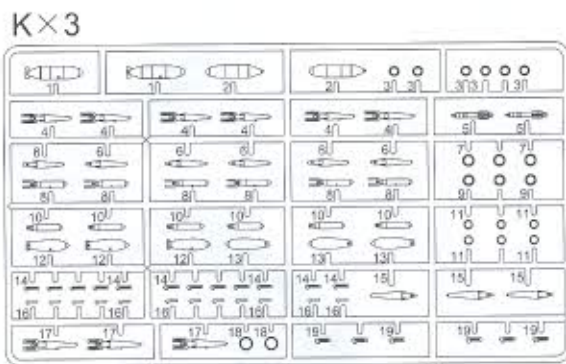
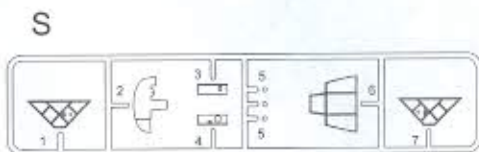
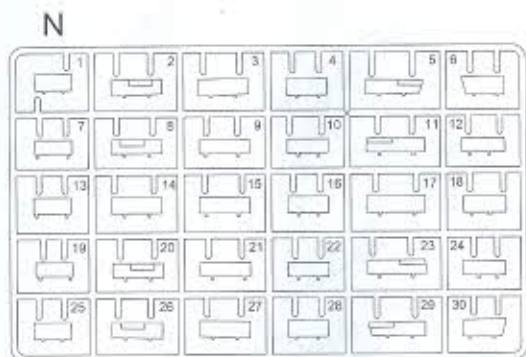
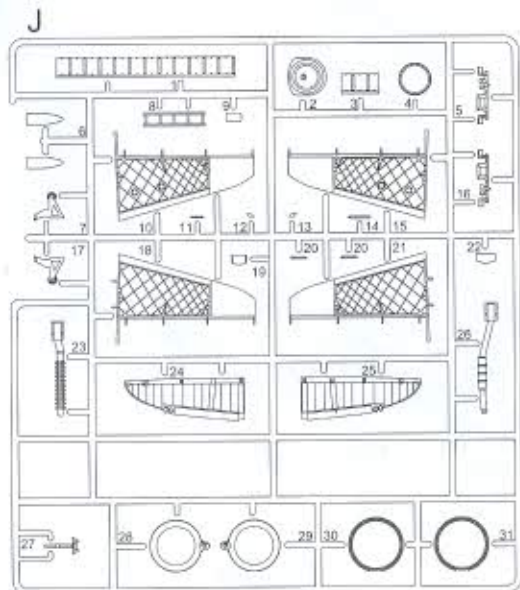
F×2



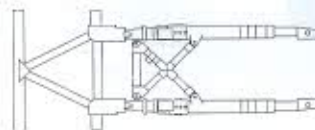
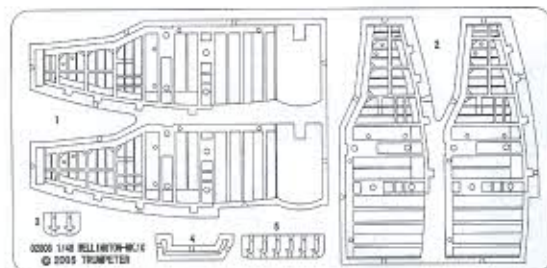
G



# 部品图 Parts



蚀刻片  
Photo Etched parts(PE)



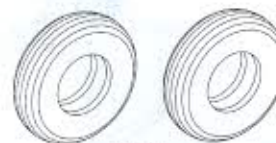
主起落架 ×2  
Main undercarriage



后起落架  
Tail undercarriage



尾轮胎  
Tail tire



主轮胎  
Main tires

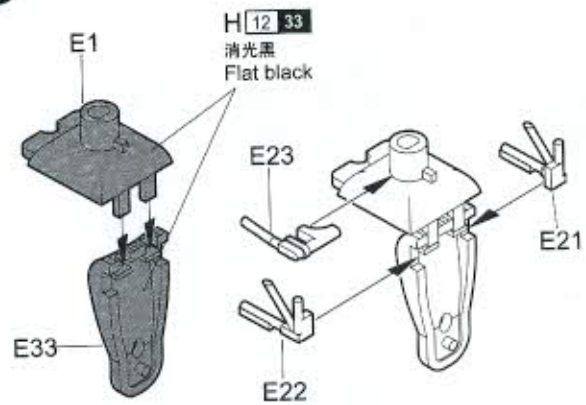
轴:  $\phi 1.0 \times 10.0\text{mm}$  2pcs  
Shaft:  $\phi 1.0 \times 8.0\text{mm}$  1pcs

水贴纸  
Decal

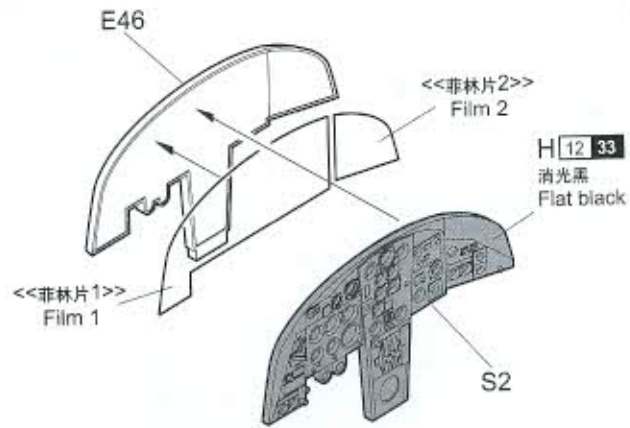
菲林片  
Film parts



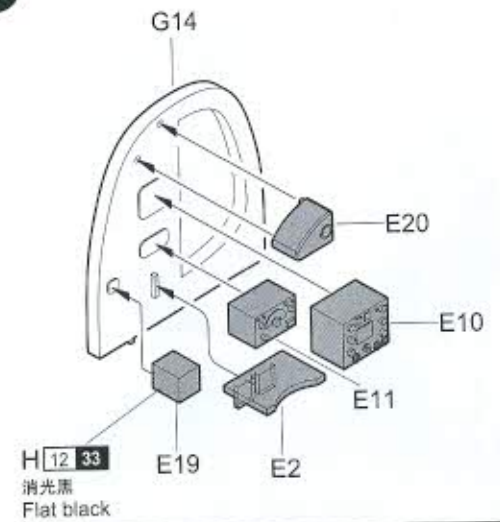
1



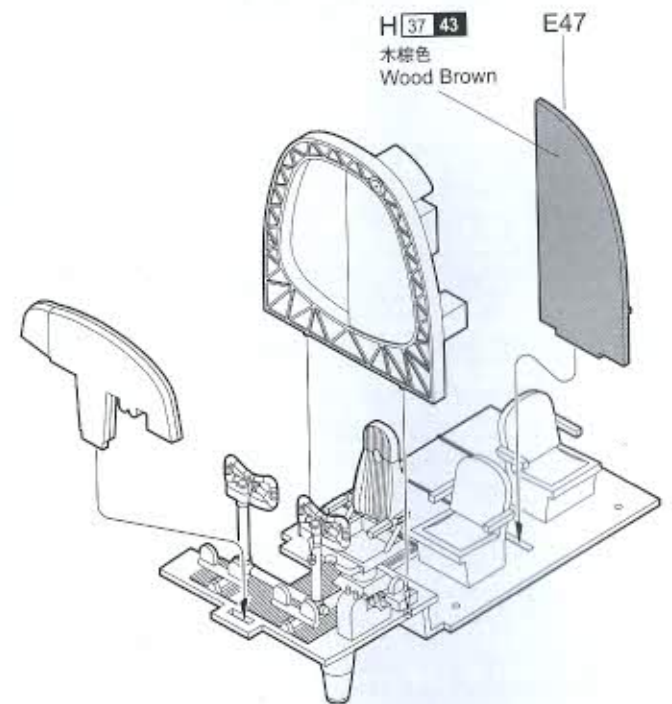
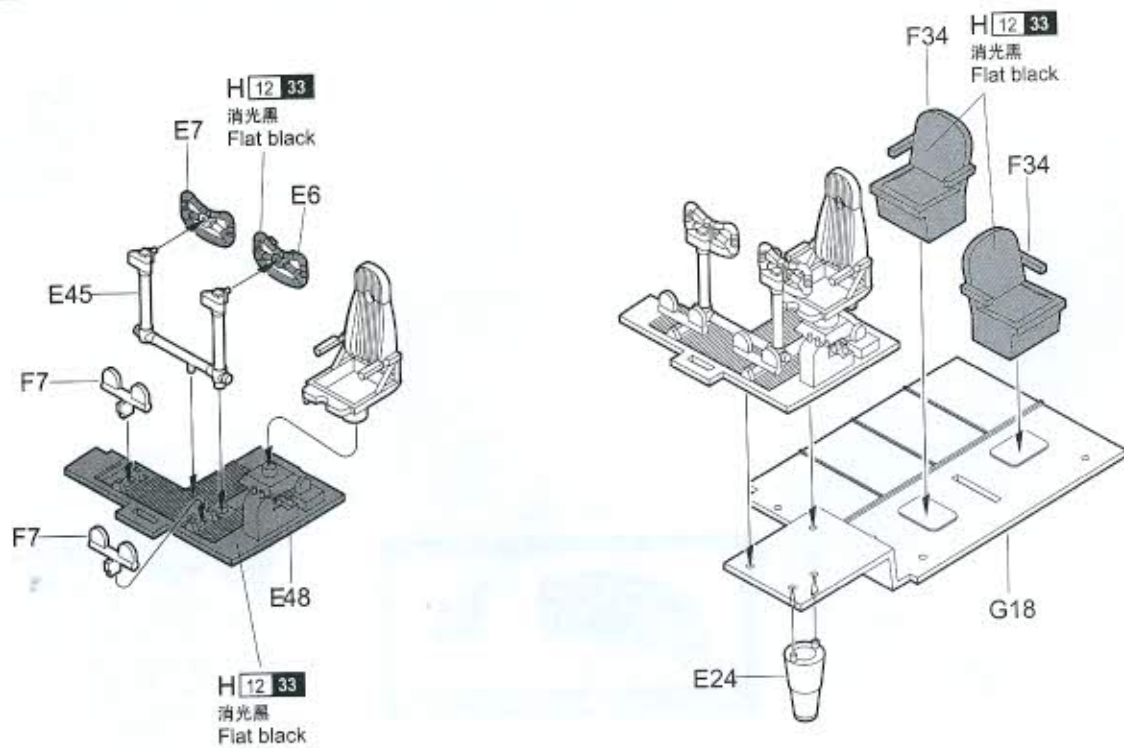
2



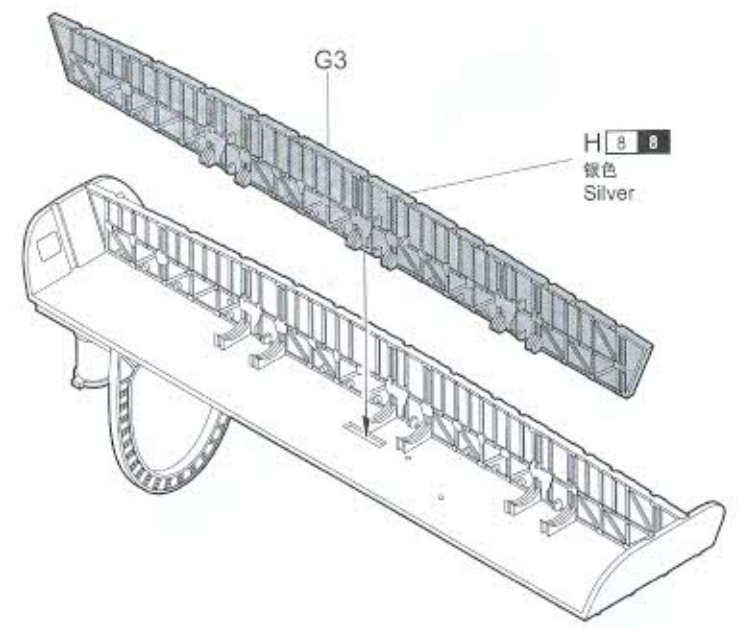
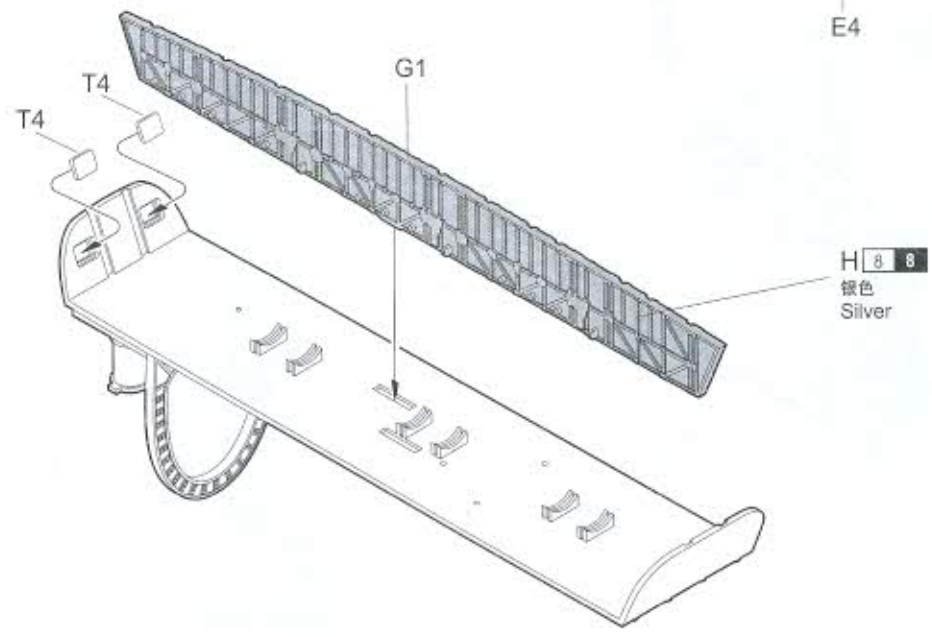
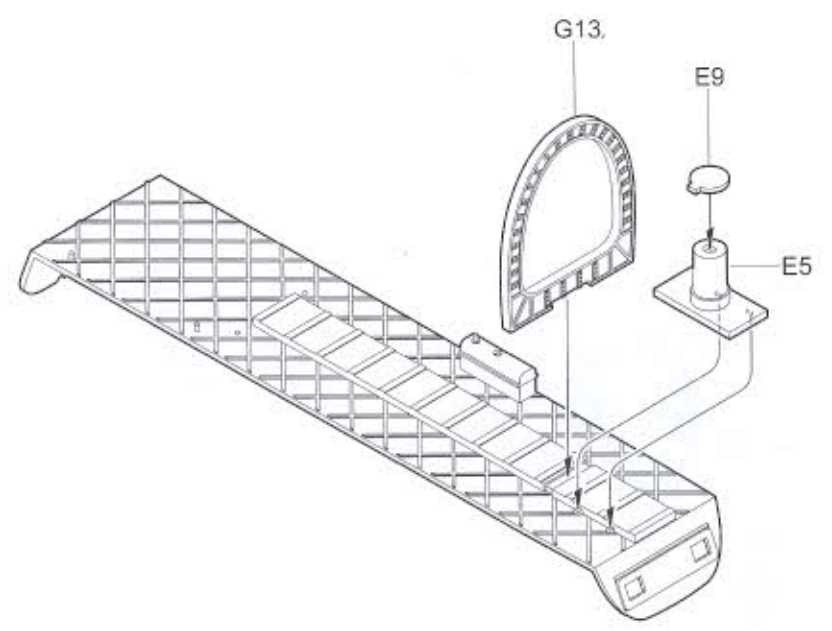
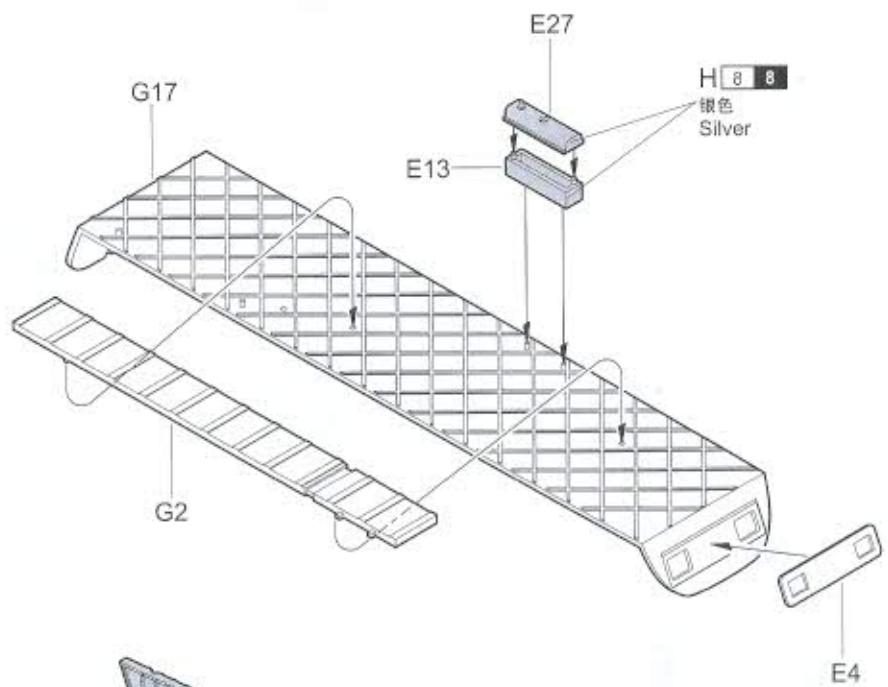
3



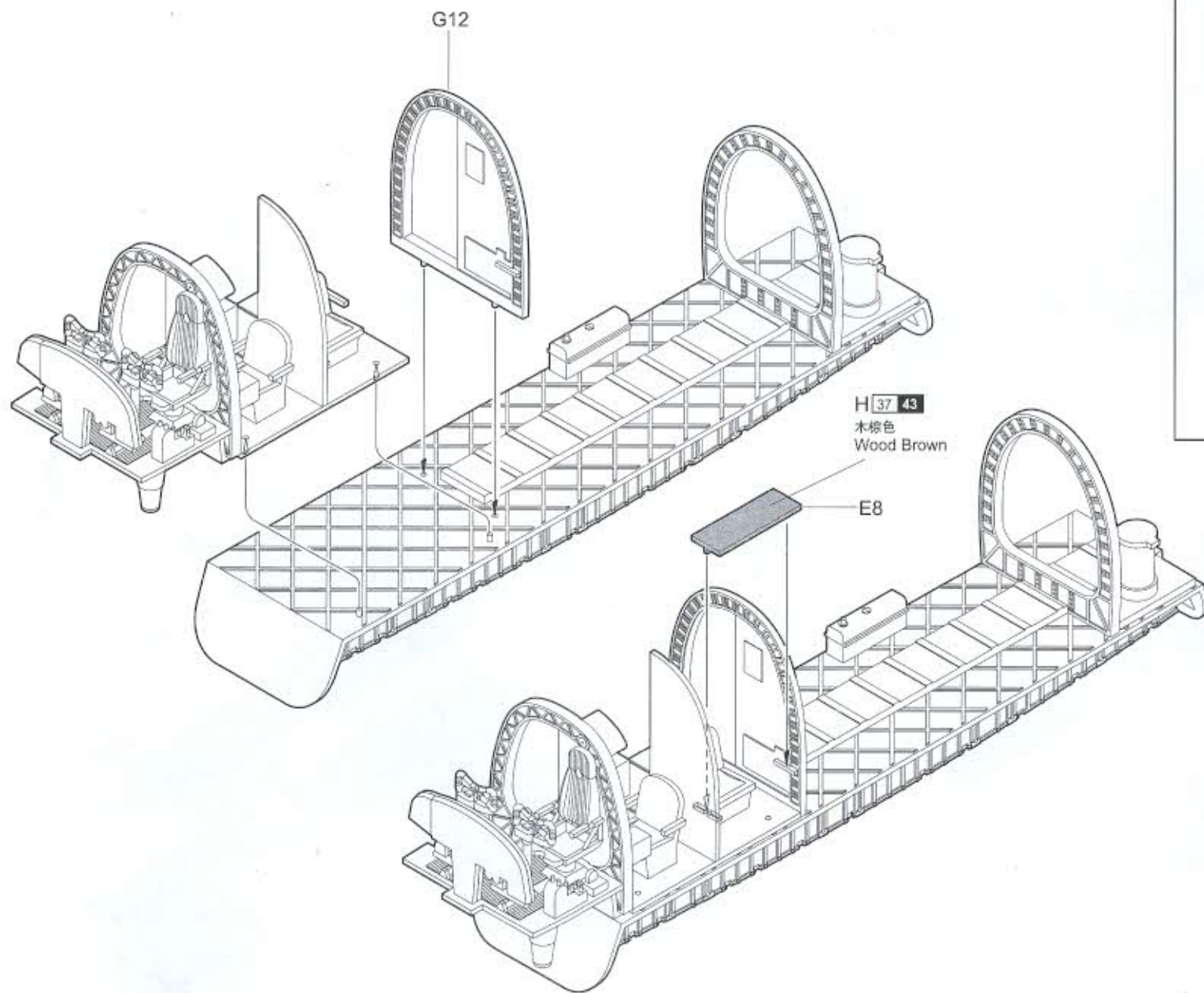
4



5



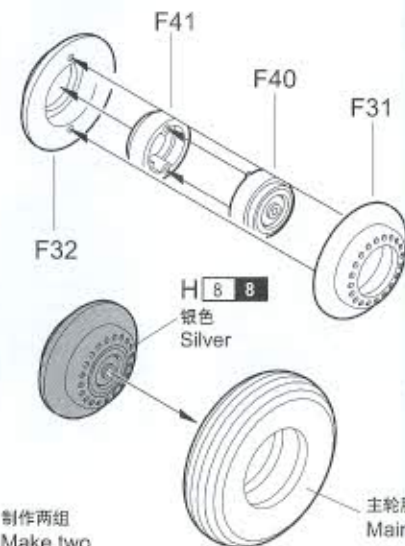
6



H 37 43  
木棕色  
Wood Brown

E8

<<主轮>>  
Main gear

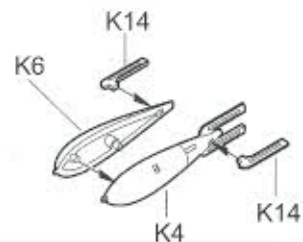


制作两组  
Make two

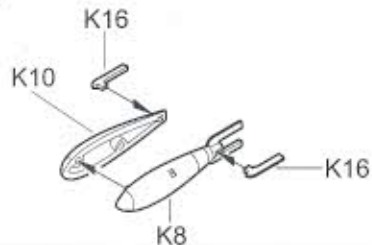
主轮胎  
Main tire

选装炸弹时请参照P7, P8  
Refer to page 7 & page 8 if attaching bombs

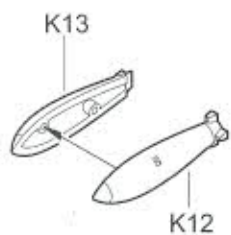
7 250lb GP bomb



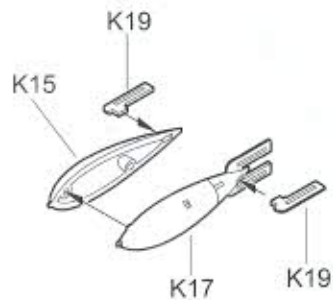
8 250lb SAP bomb



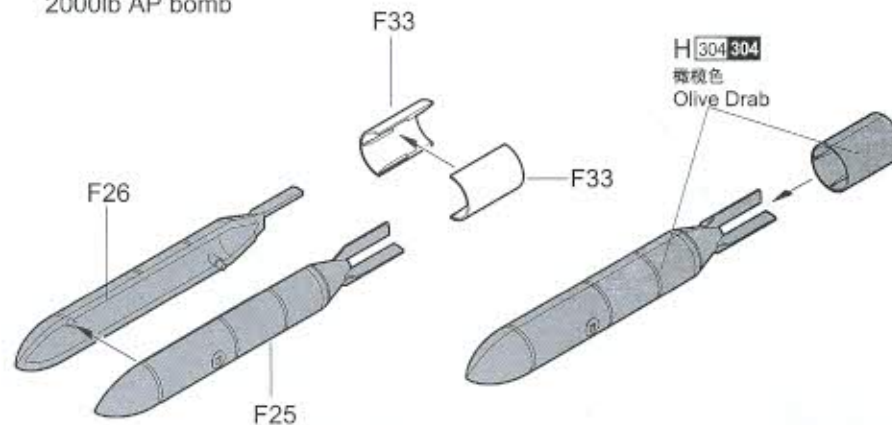
9 500lb SAP bomb



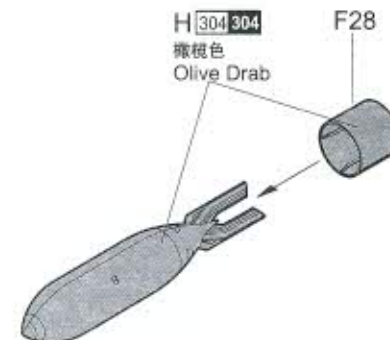
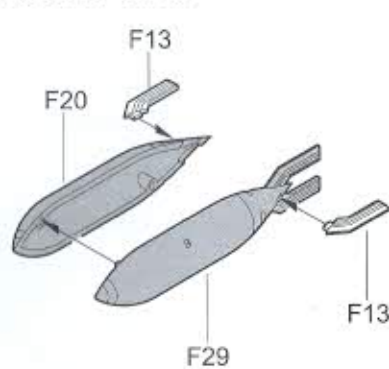
10 500lb GP bomb



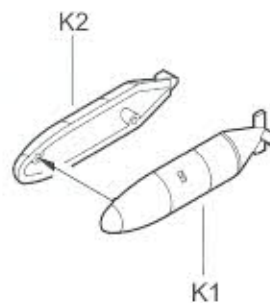
11 2000lb AP bomb



12 1000lb GP bomb

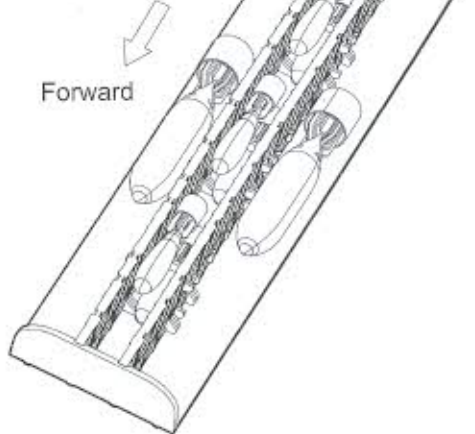


13 250lb B bomb

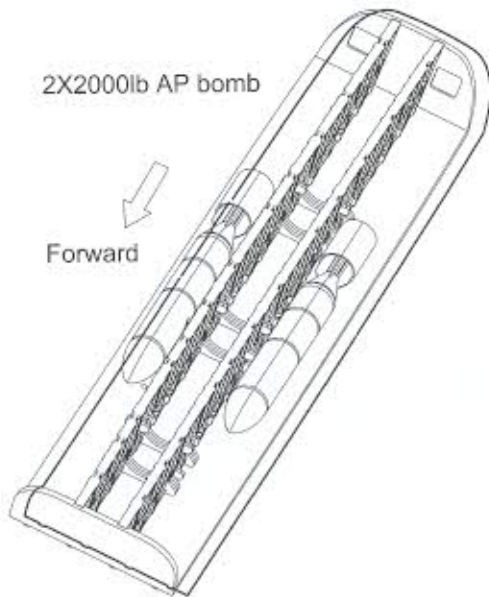


14

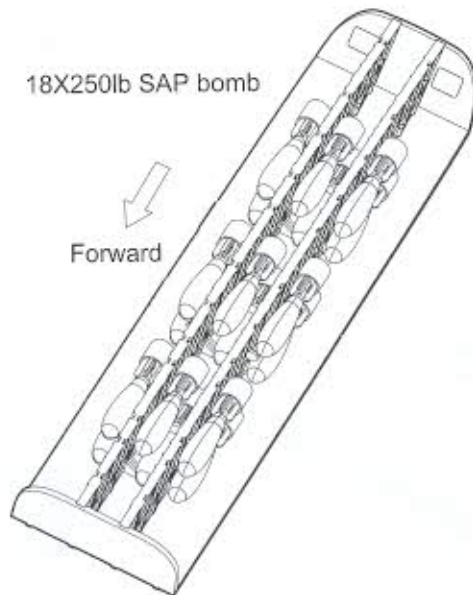
2X1000lb GP bomb,  
6X250lb SAP bomb



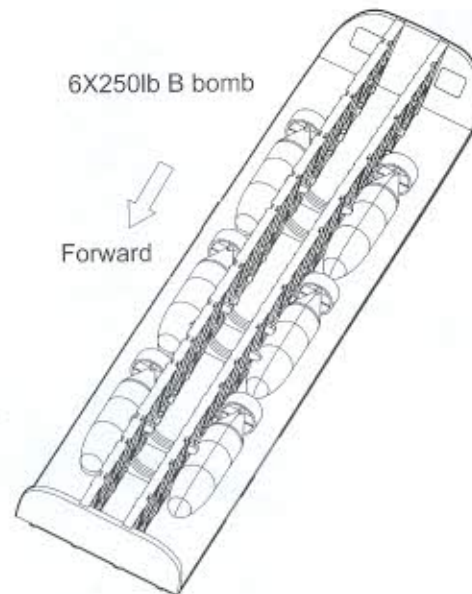
2X2000lb AP bomb



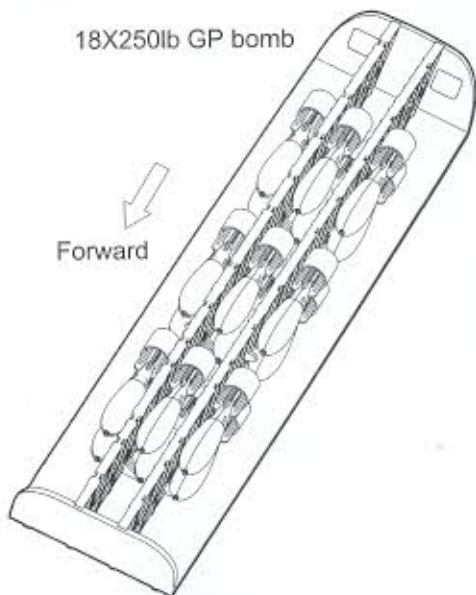
18X250lb SAP bomb



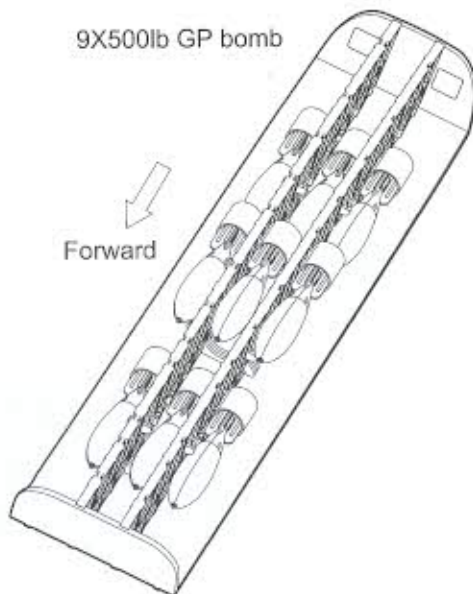
6X250lb B bomb



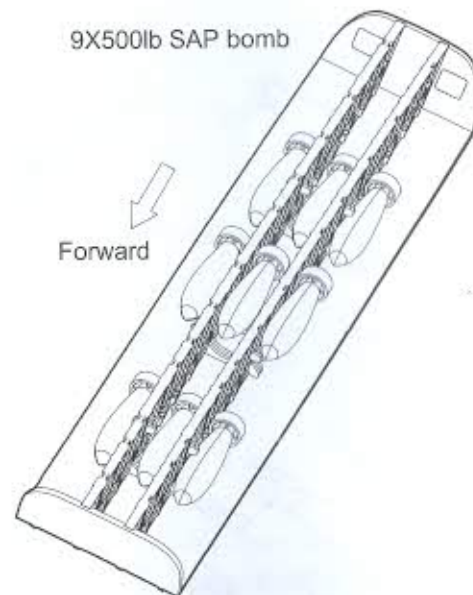
18X250lb GP bomb



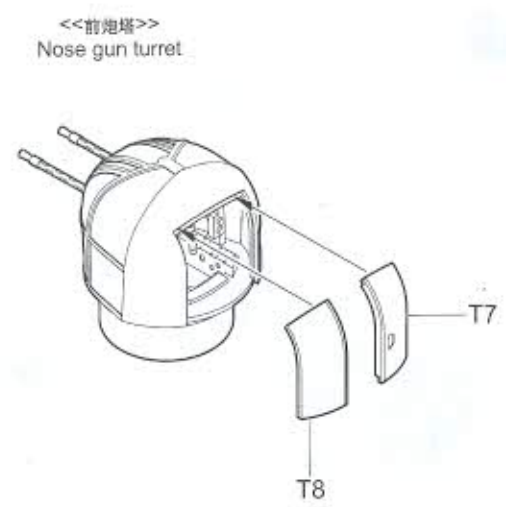
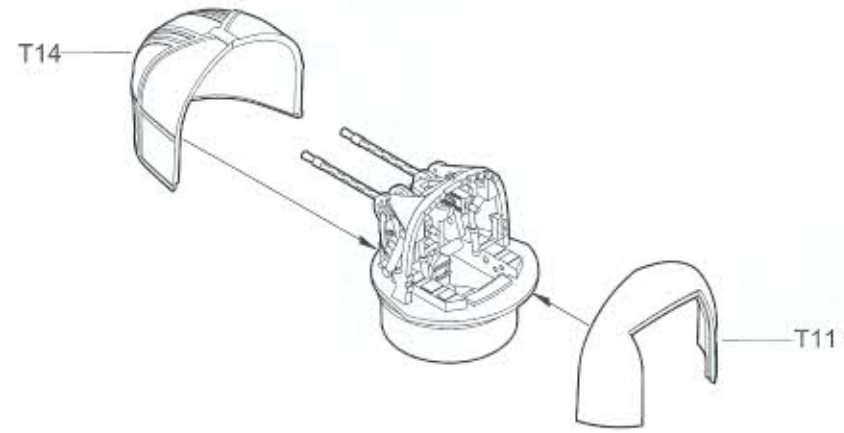
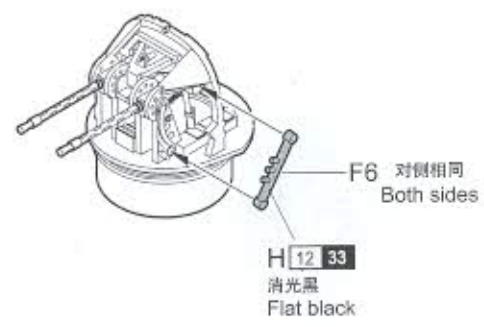
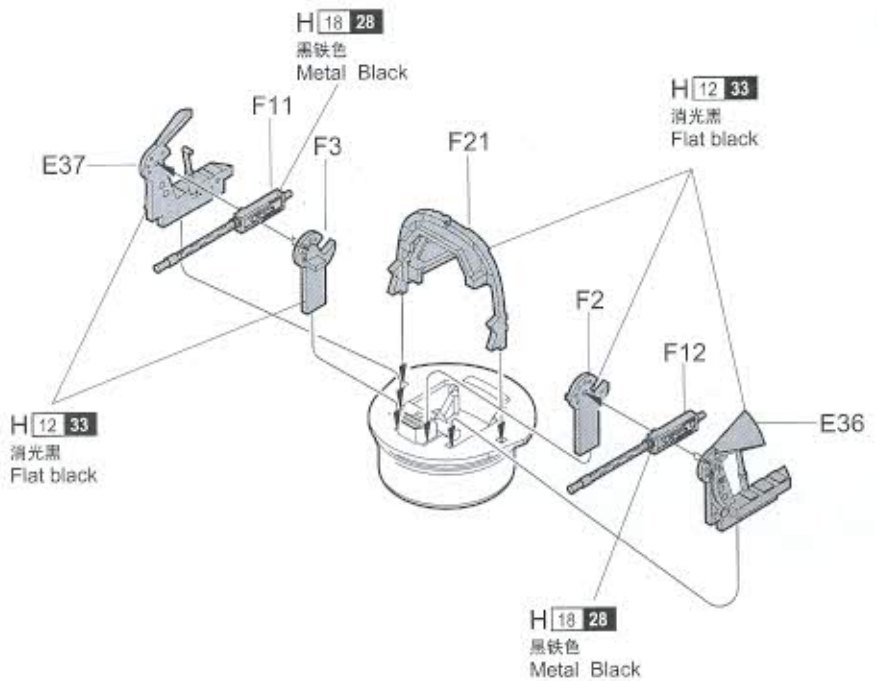
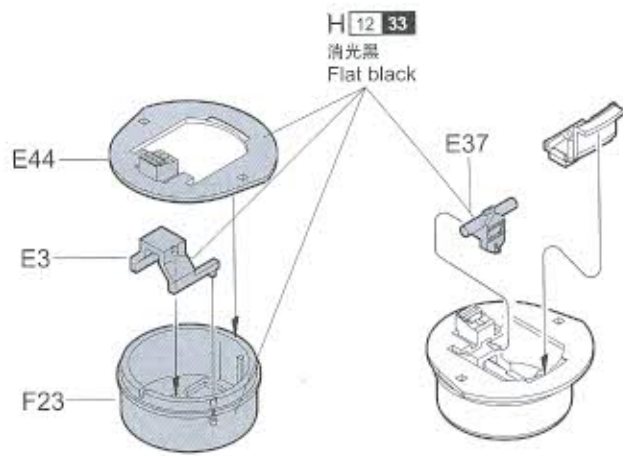
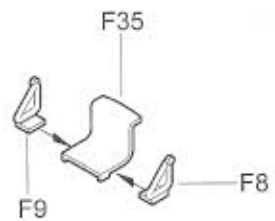
9X500lb GP bomb



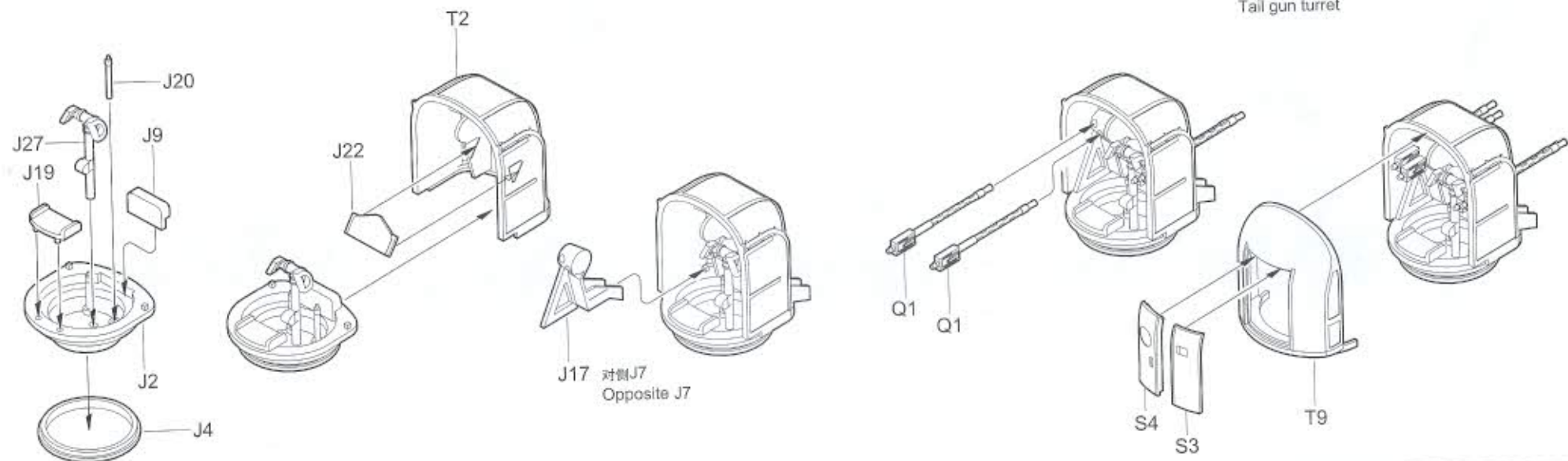
9X500lb SAP bomb



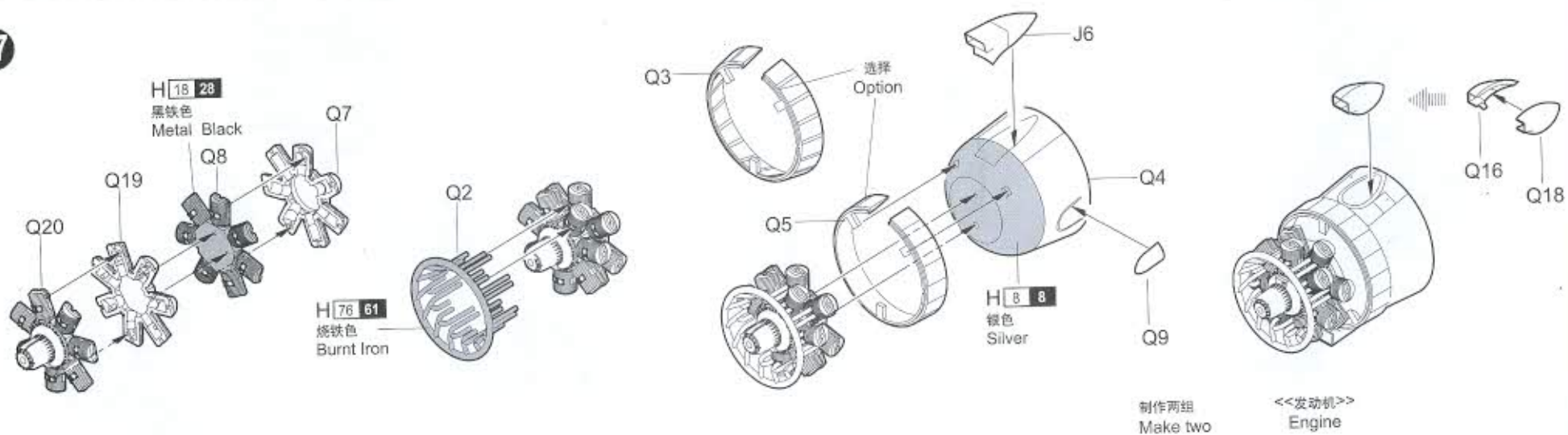
15



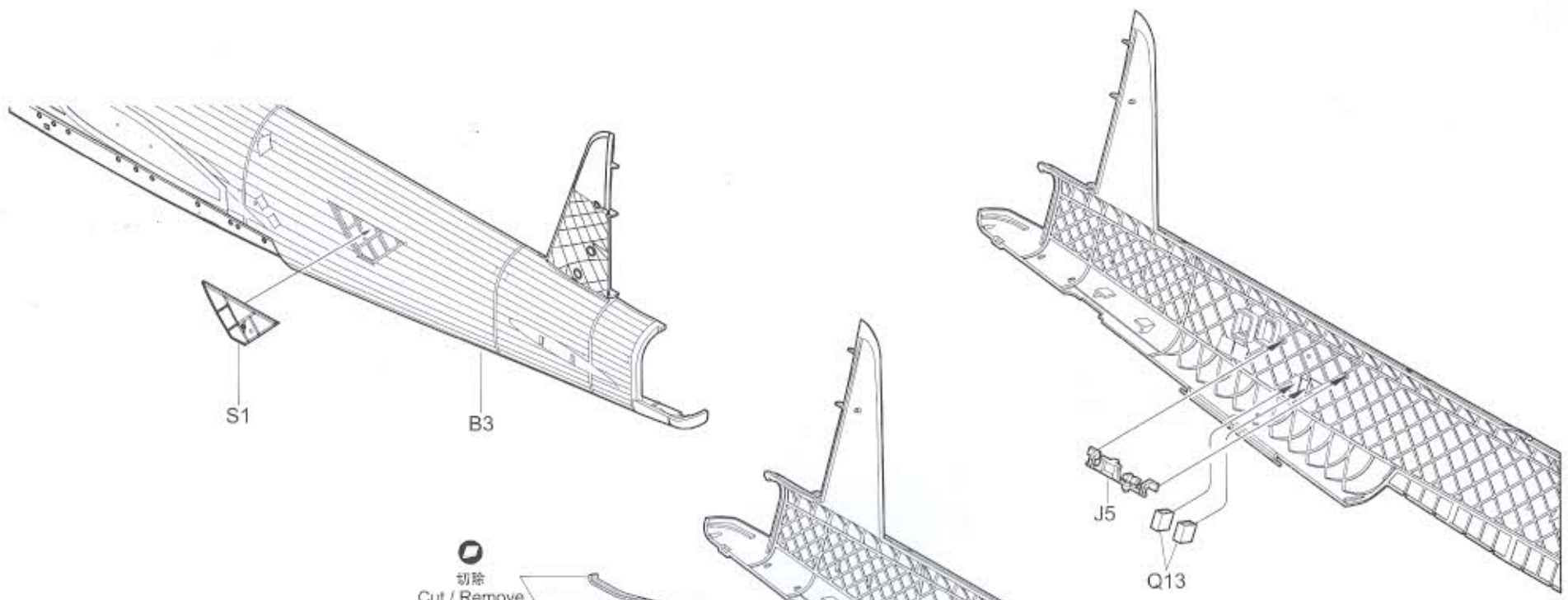
16



17



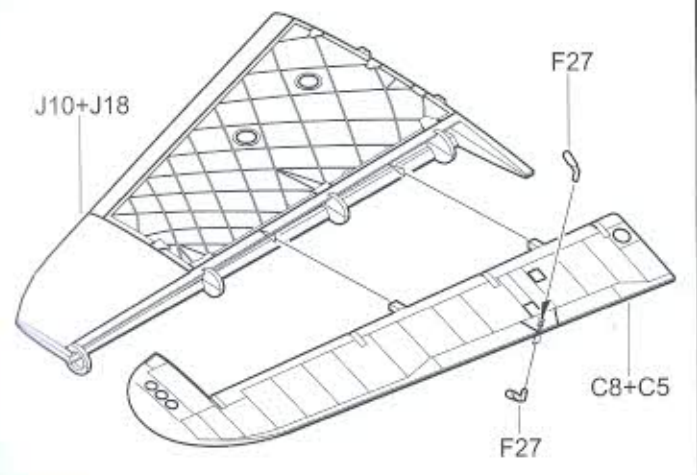
18




 切除  
 Cut / Remove

19

<<左側水平尾翼>>  
 Left horizontal stabilizer

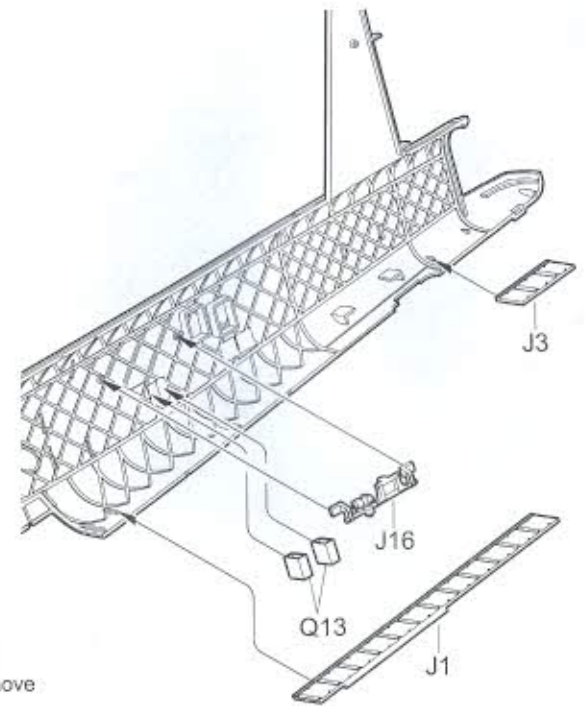
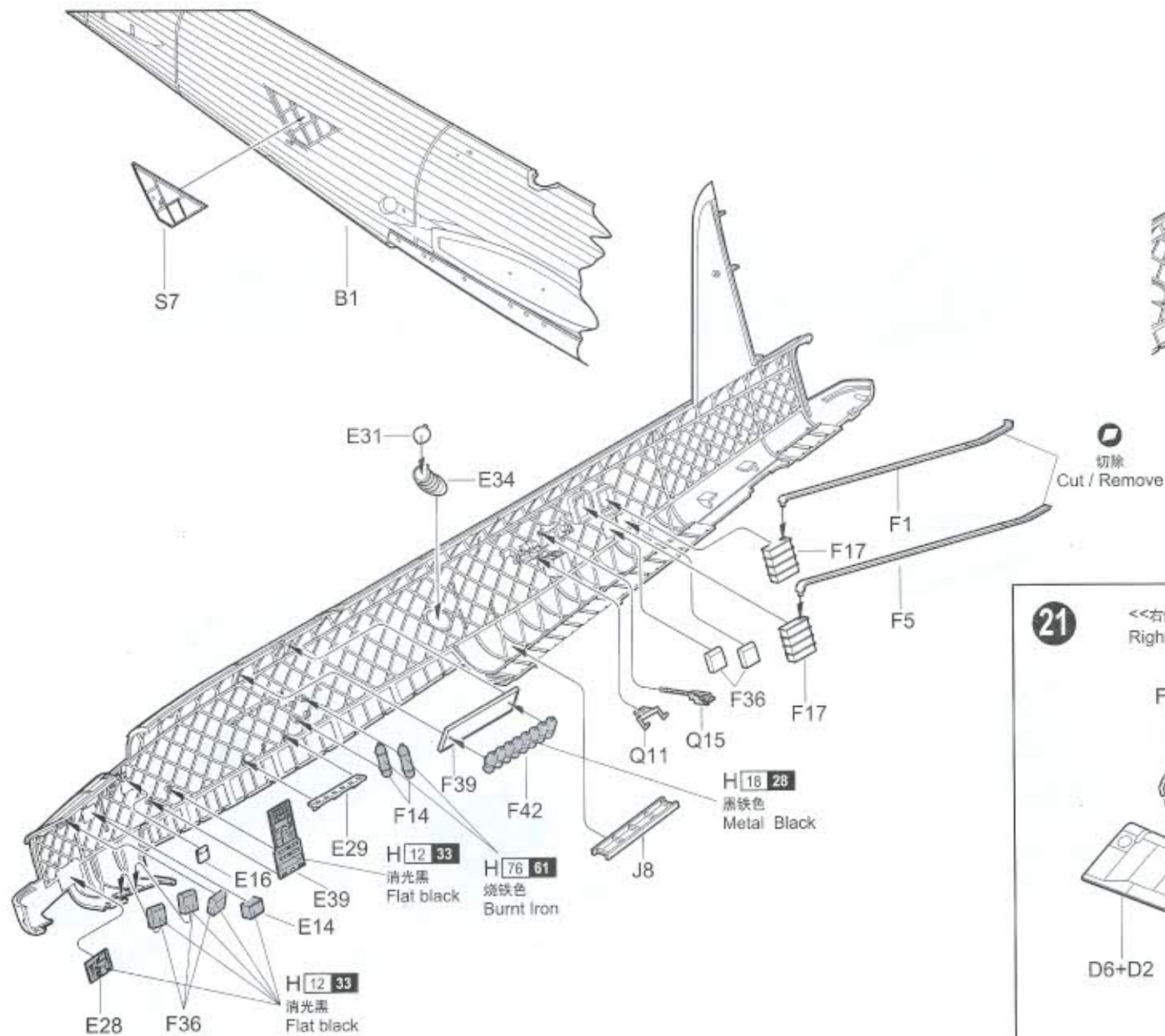


H 12 33  
 消光黑  
 Flat black

H 18 28  
 黑铁色  
 Metal Black

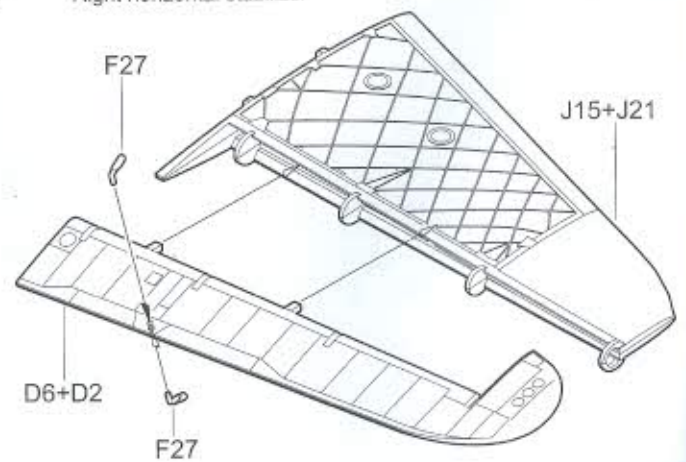
H 12 33  
 消光黑  
 Flat black

20

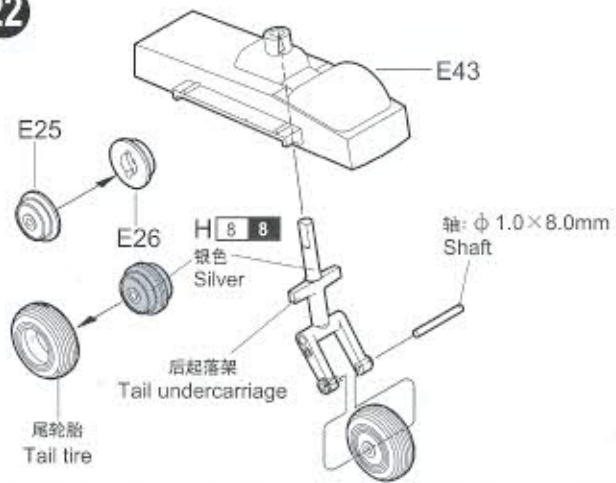


21

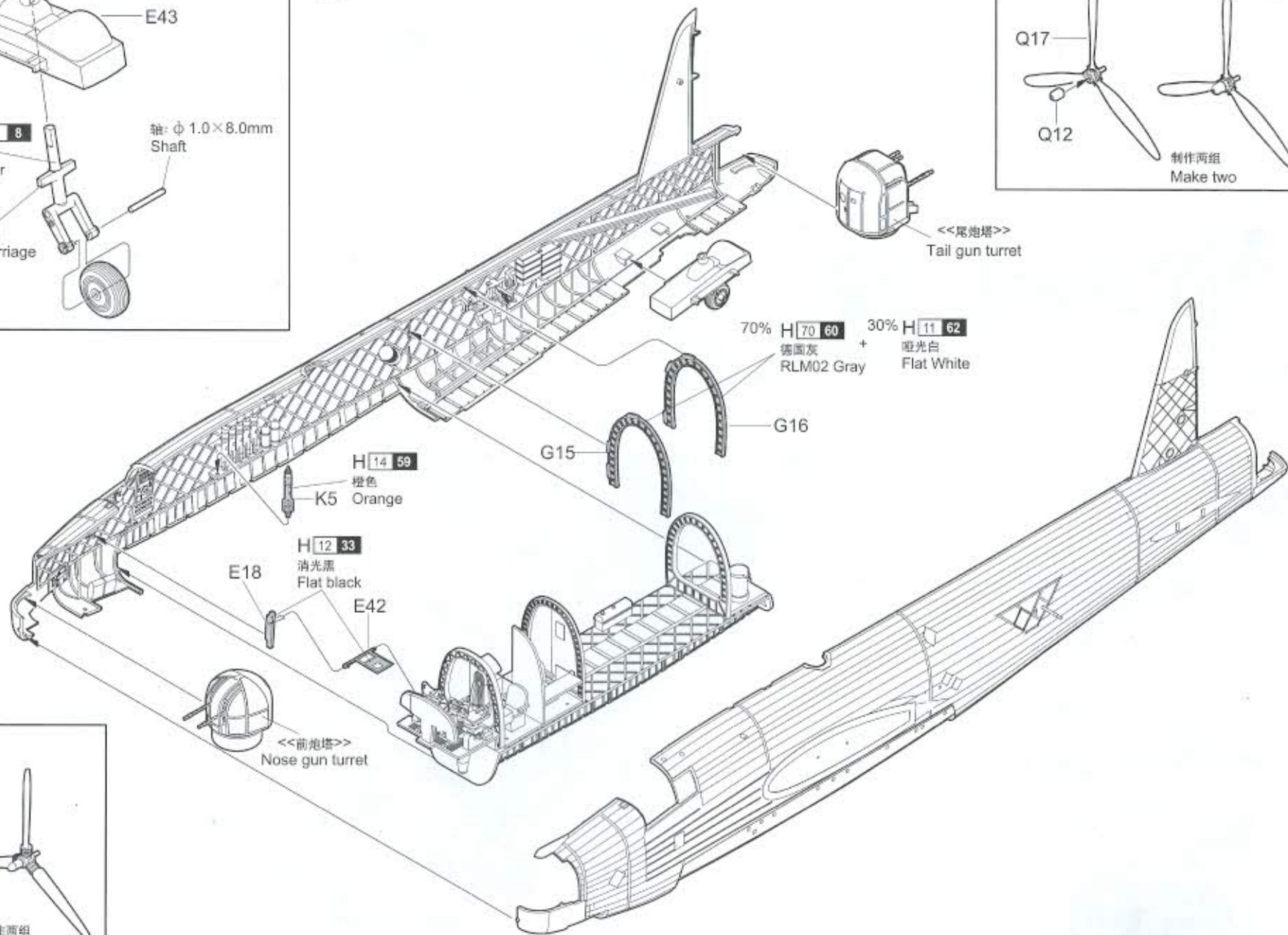
<<右侧水平尾翼>>  
Right horizontal stabilizer



22



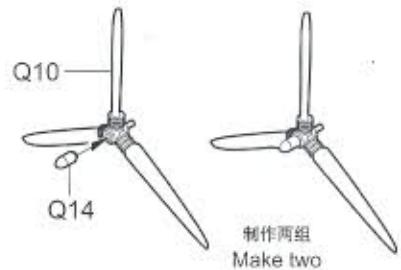
23



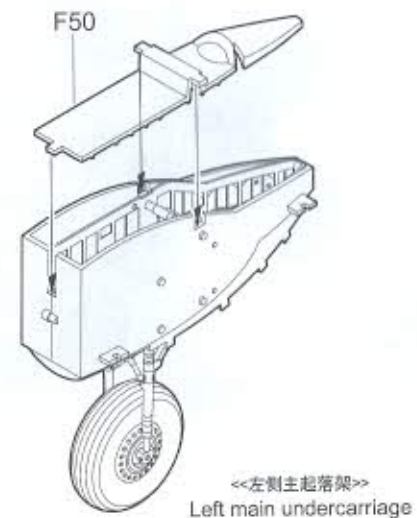
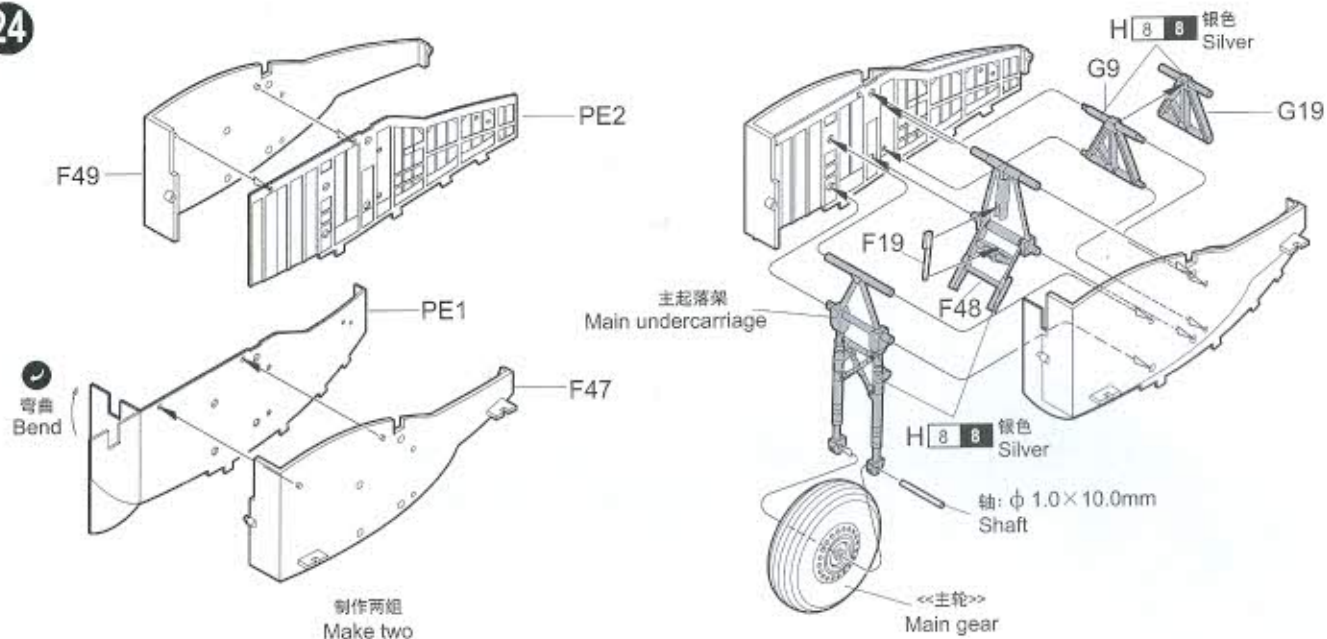
<<B>>



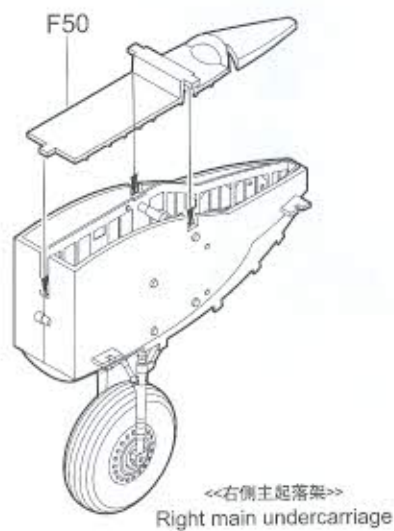
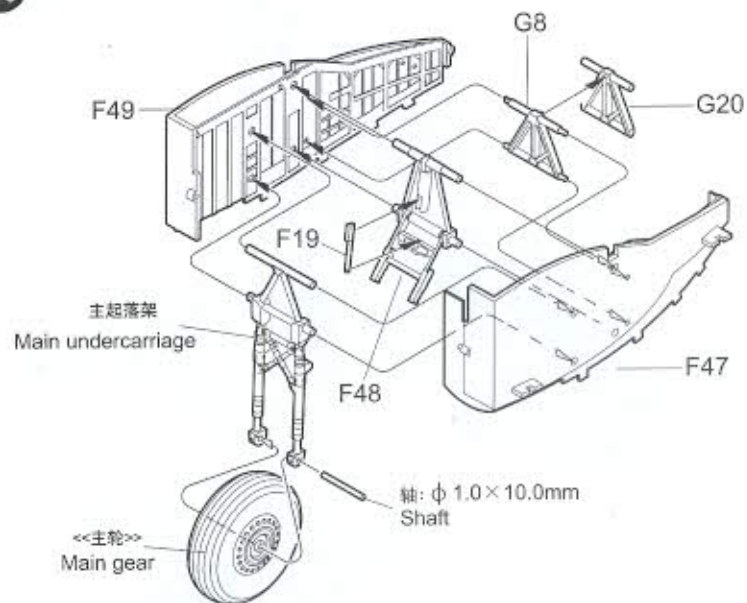
<<A>>



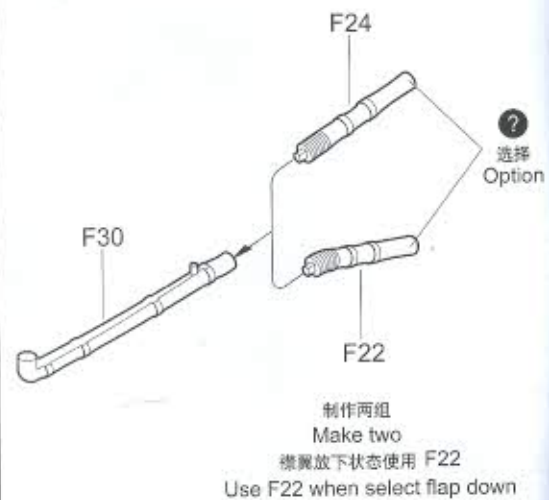
24



25

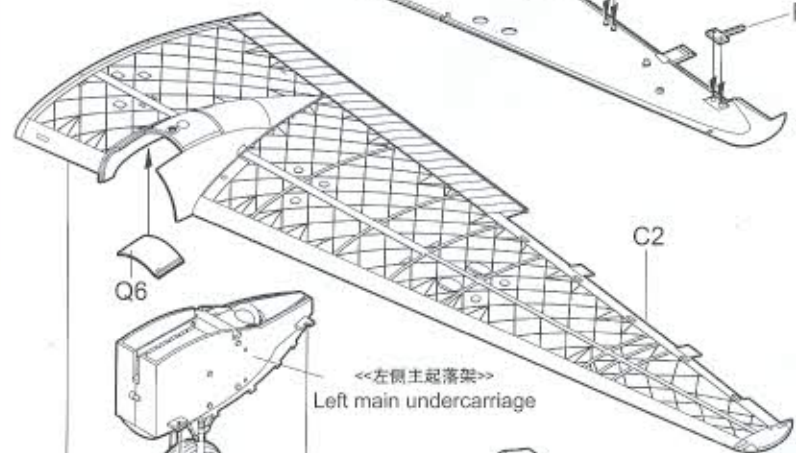
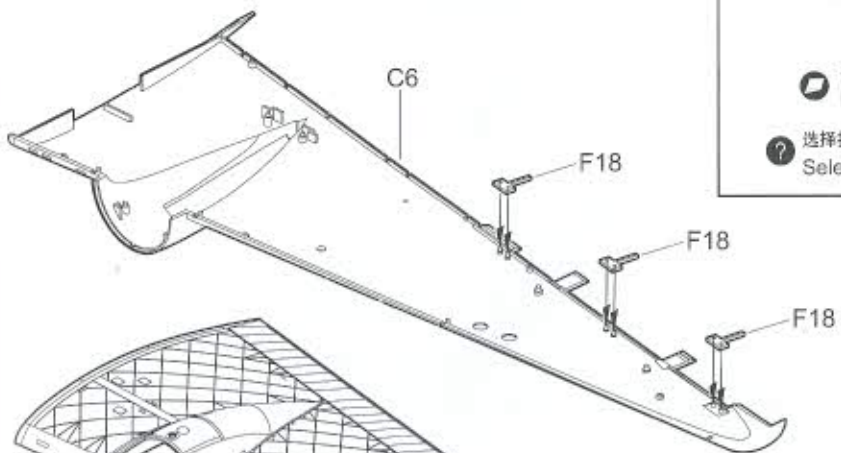


26

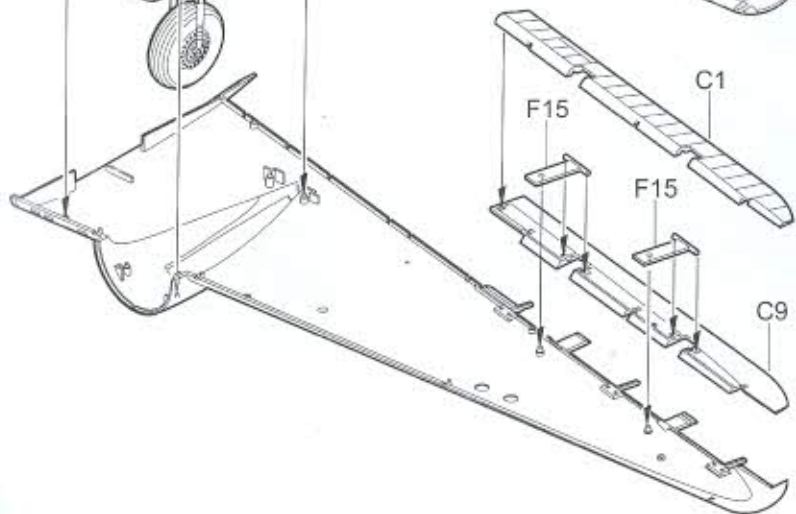


27

<<左侧机翼>>  
Left main wing



<<左侧主起落架>>  
Left main undercarriage



G6(G10,G11)



选择关闭时切除  
Remove when closed

选择打开与关闭  
Select either open or closed

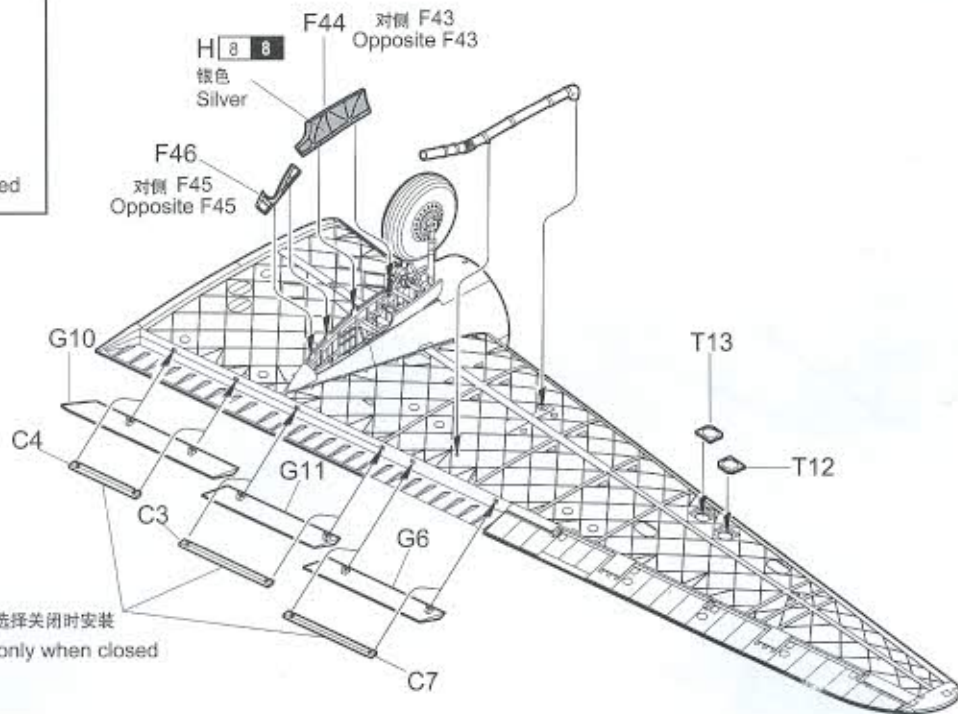
选择  
Option

选择关闭时安装  
Use only when closed

H 8 8  
银色  
Silver

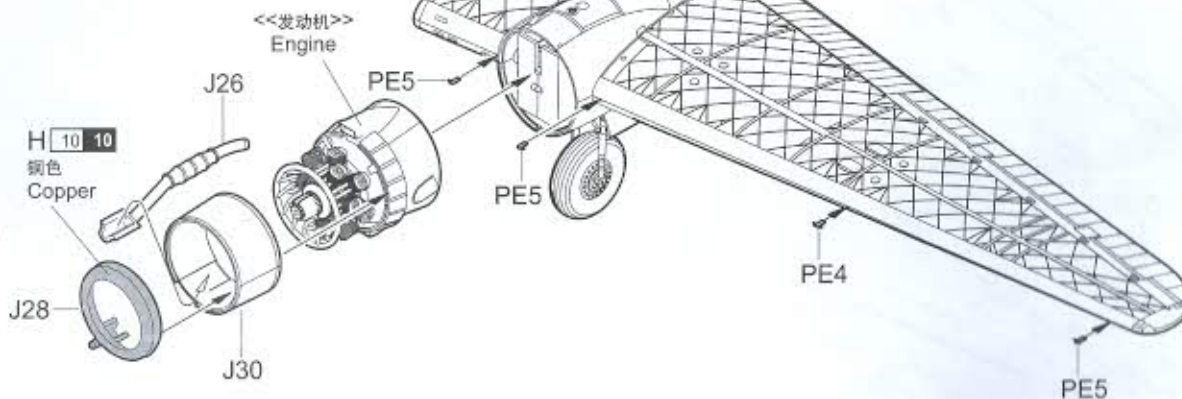
F44 对侧 F43  
Opposite F43

F46 对侧 F45  
Opposite F45



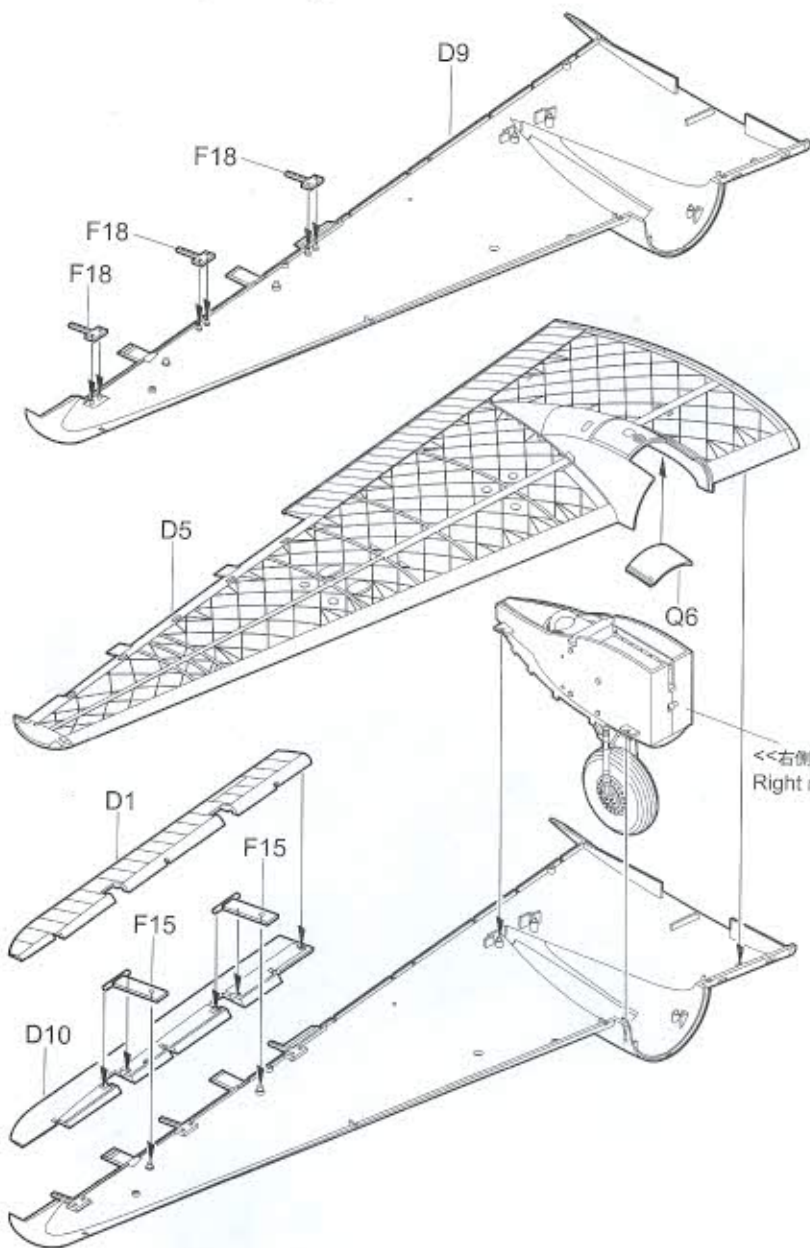
<<发动机>>  
Engine

H 10 10  
铜色  
Copper

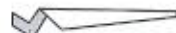


28

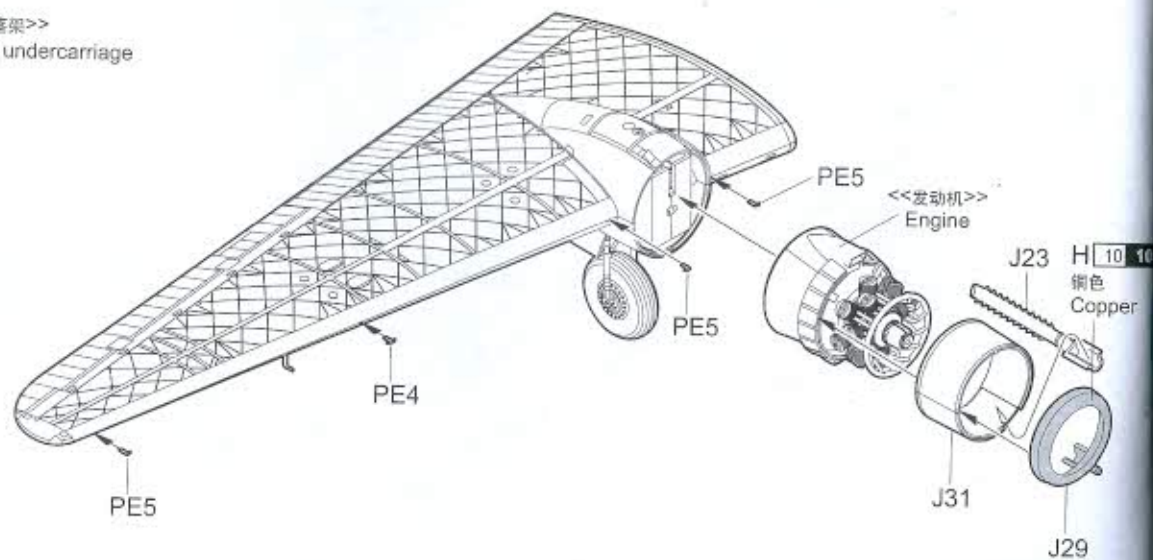
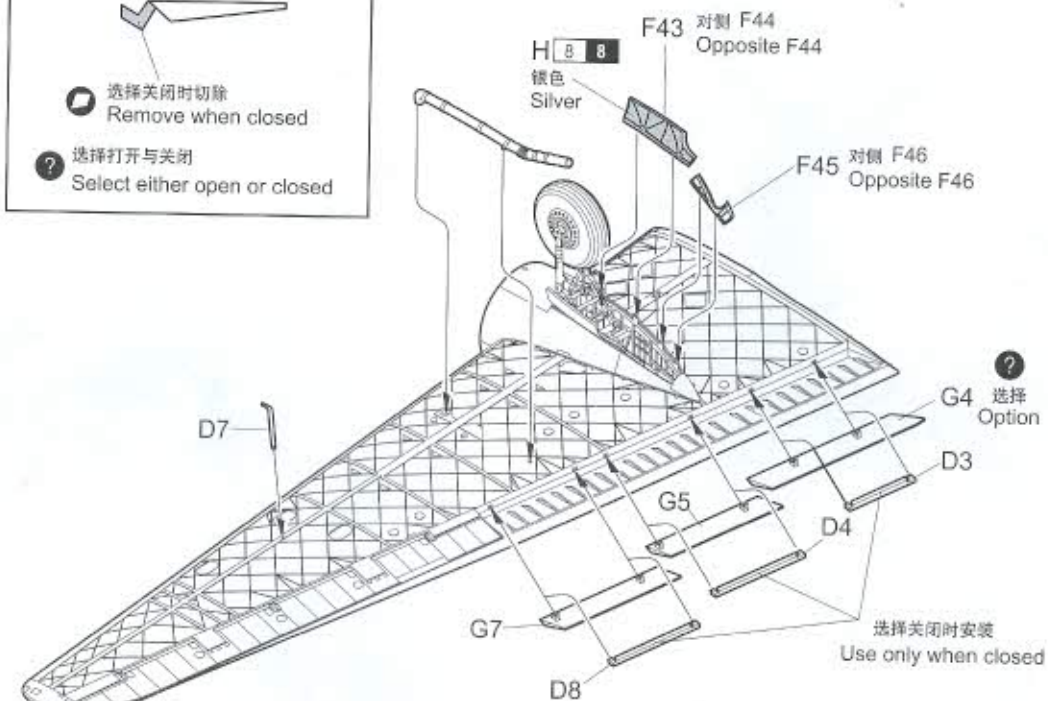
<<右侧机翼>>  
Right main wing

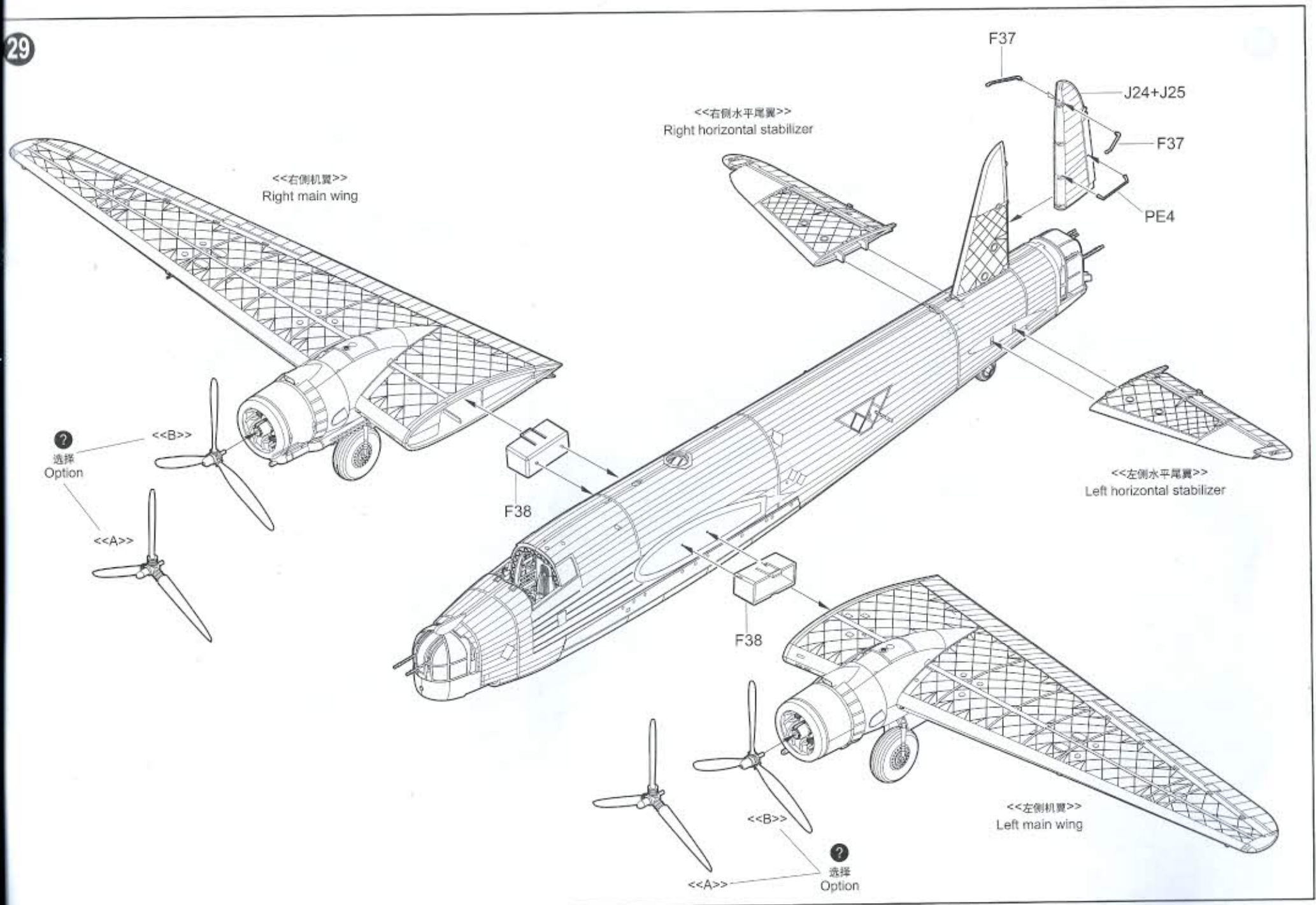


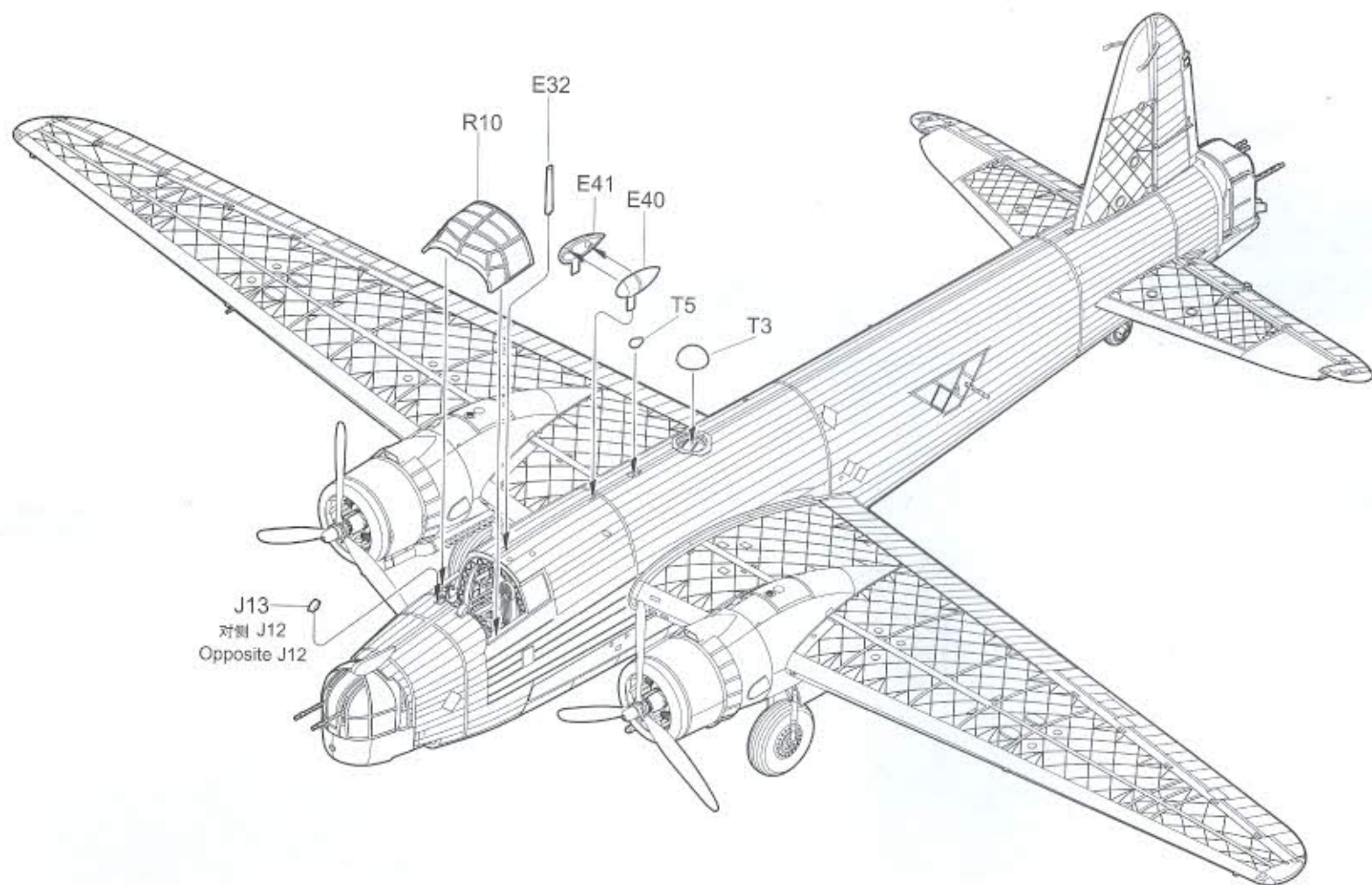
G4(G5,G7)



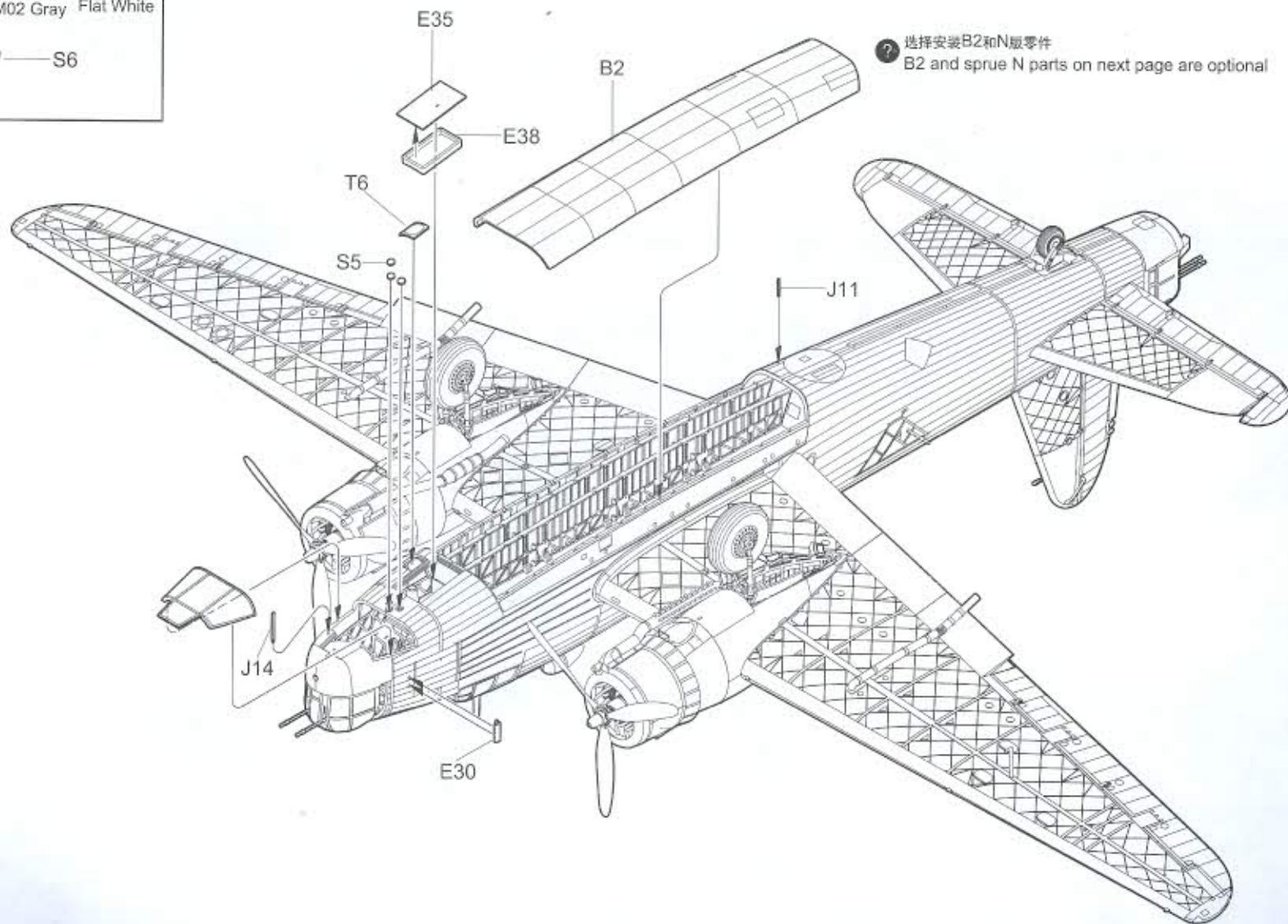
- 选择关闭时切除  
Remove when closed
- 选择打开与关闭  
Select either open or closed

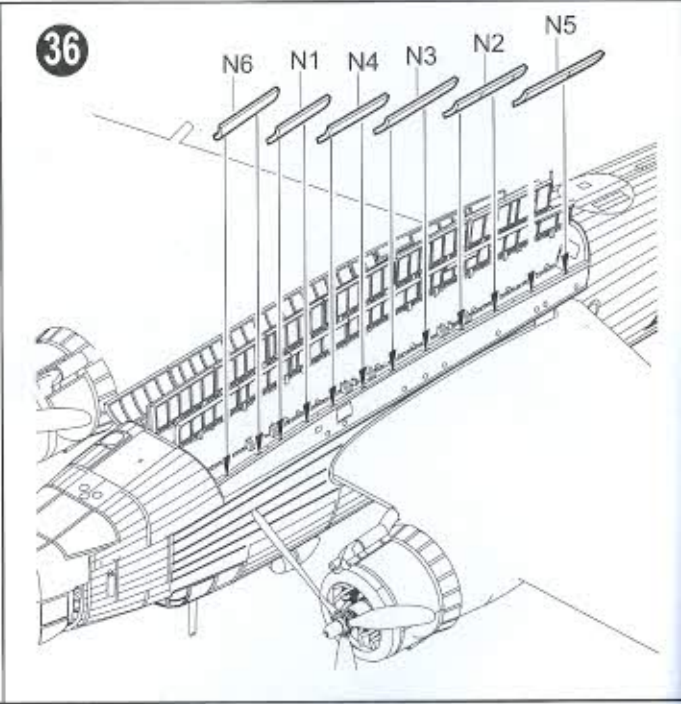
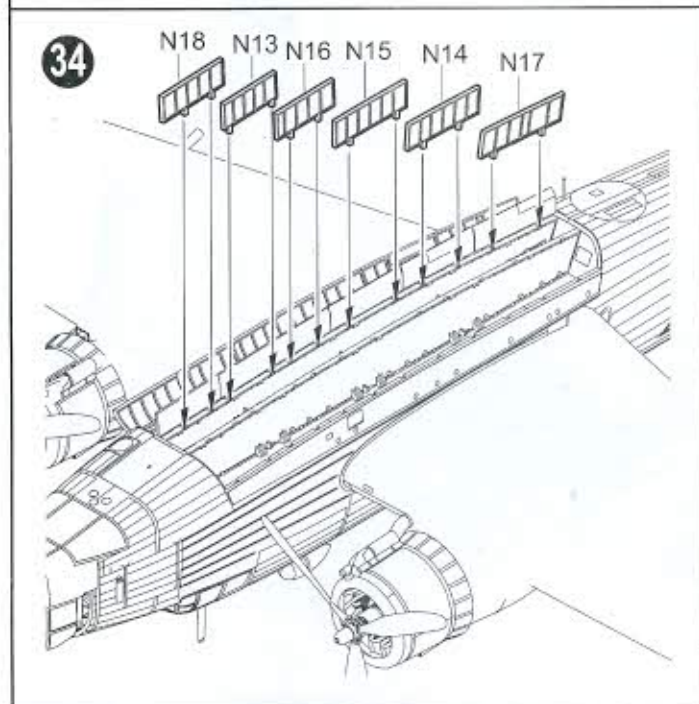
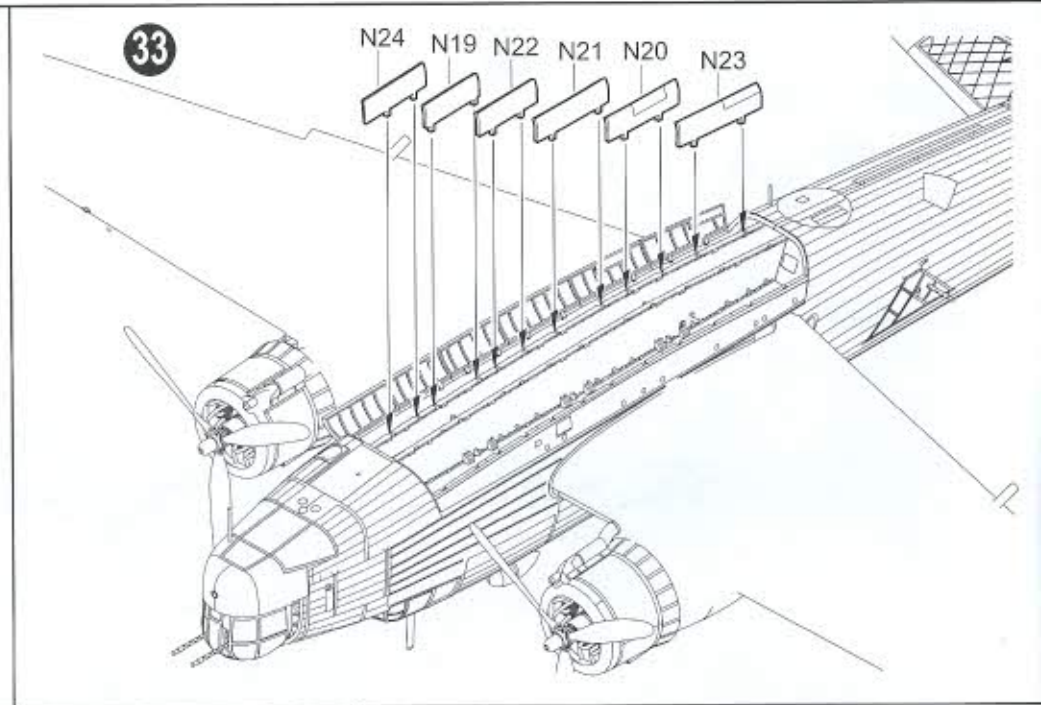
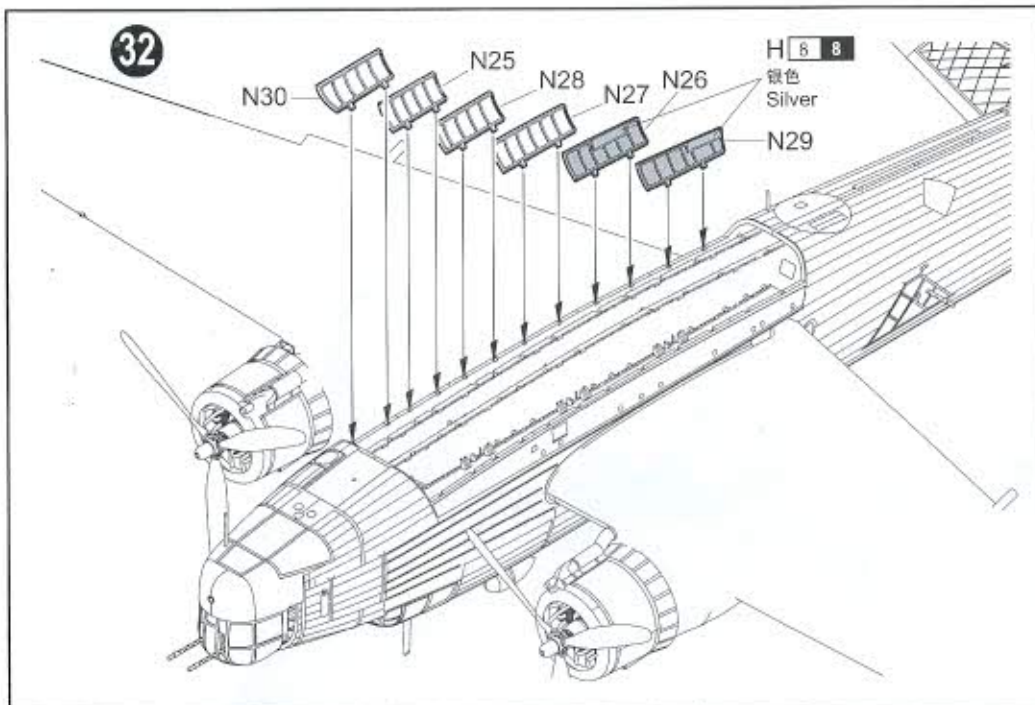






31

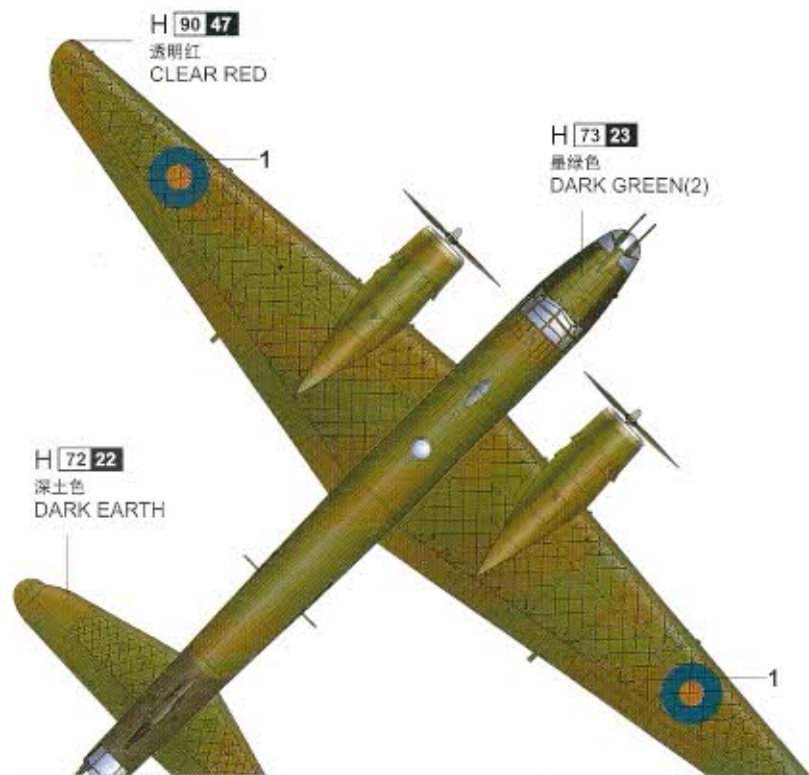
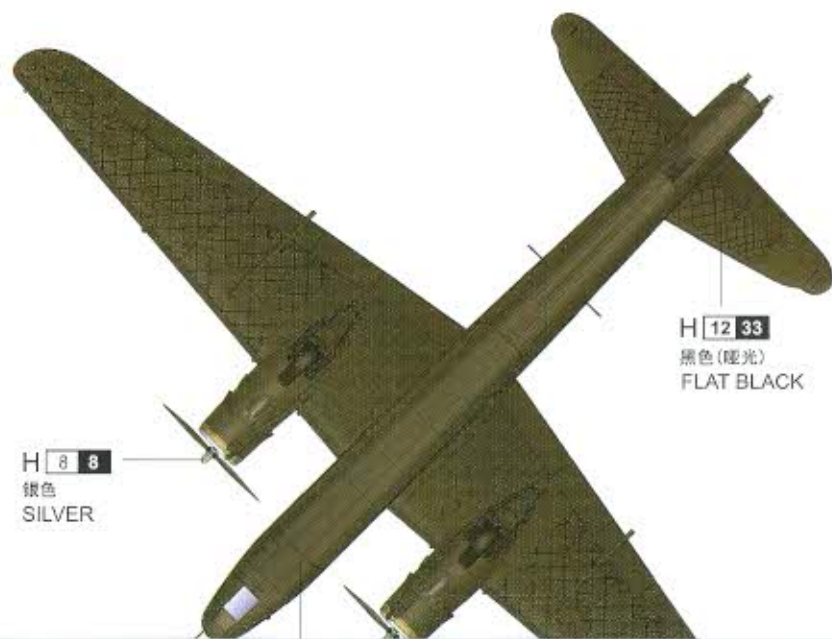
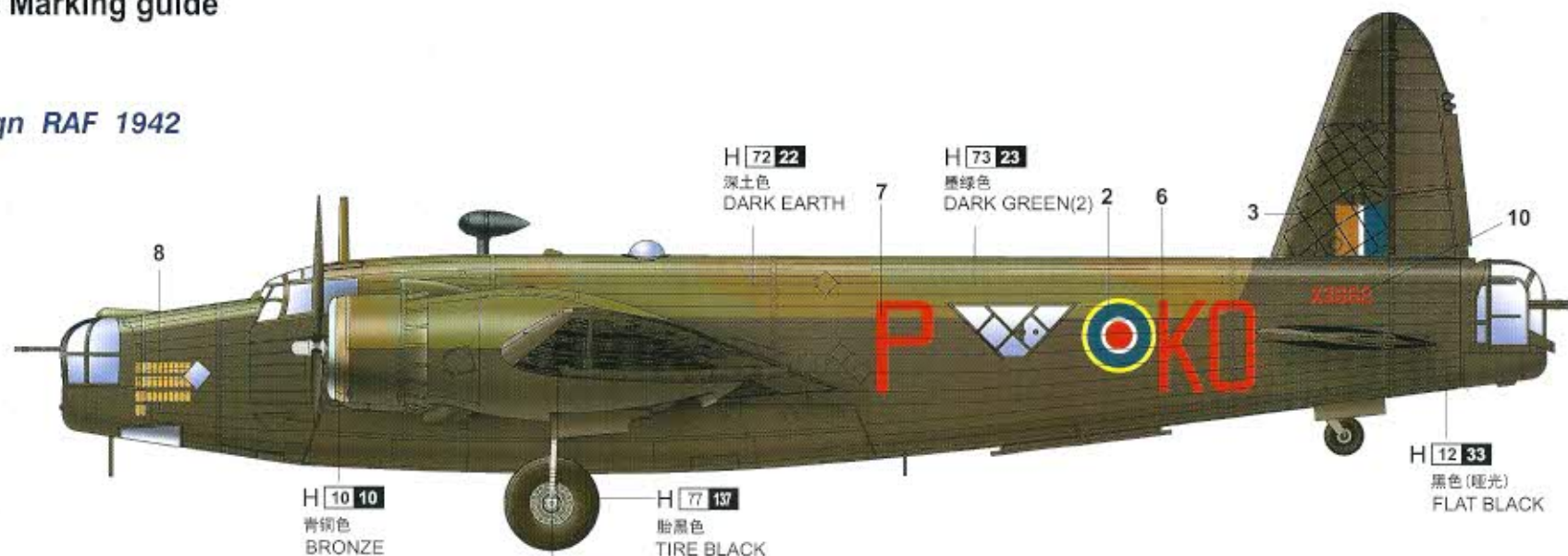




涂装同标贴指示  
Painting & Marking guide

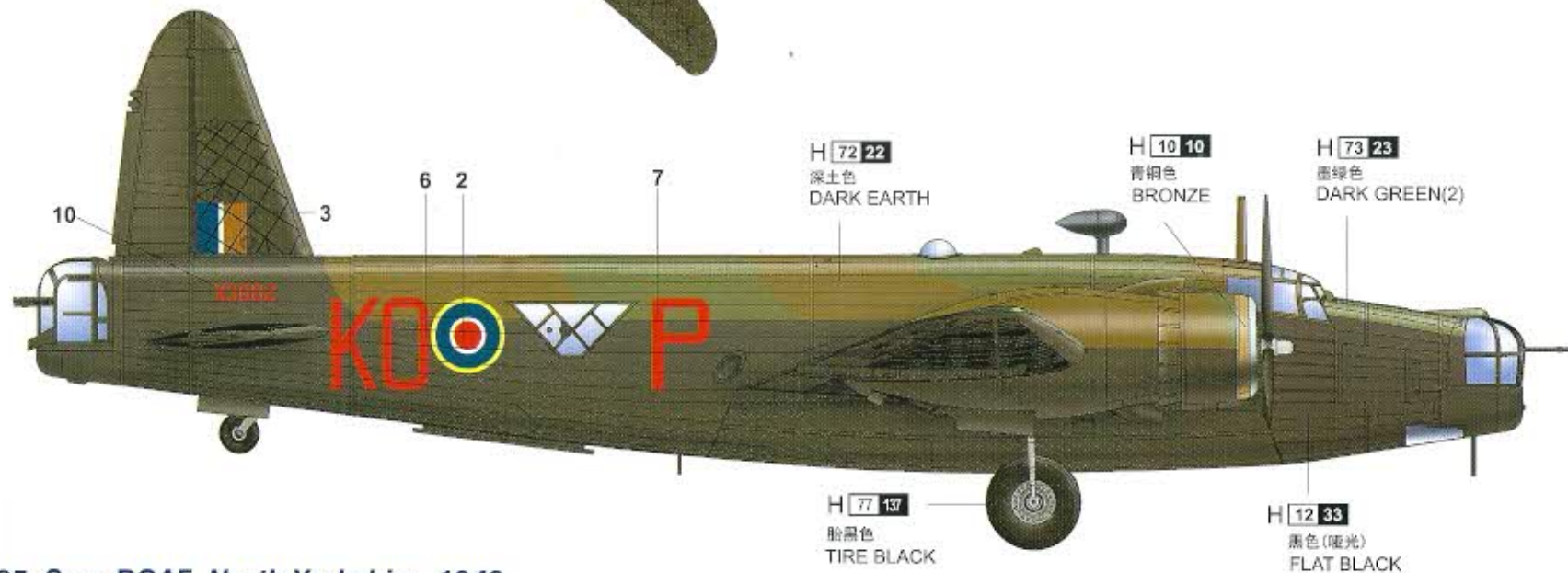
**A**

No.115 Sqn RAF 1942



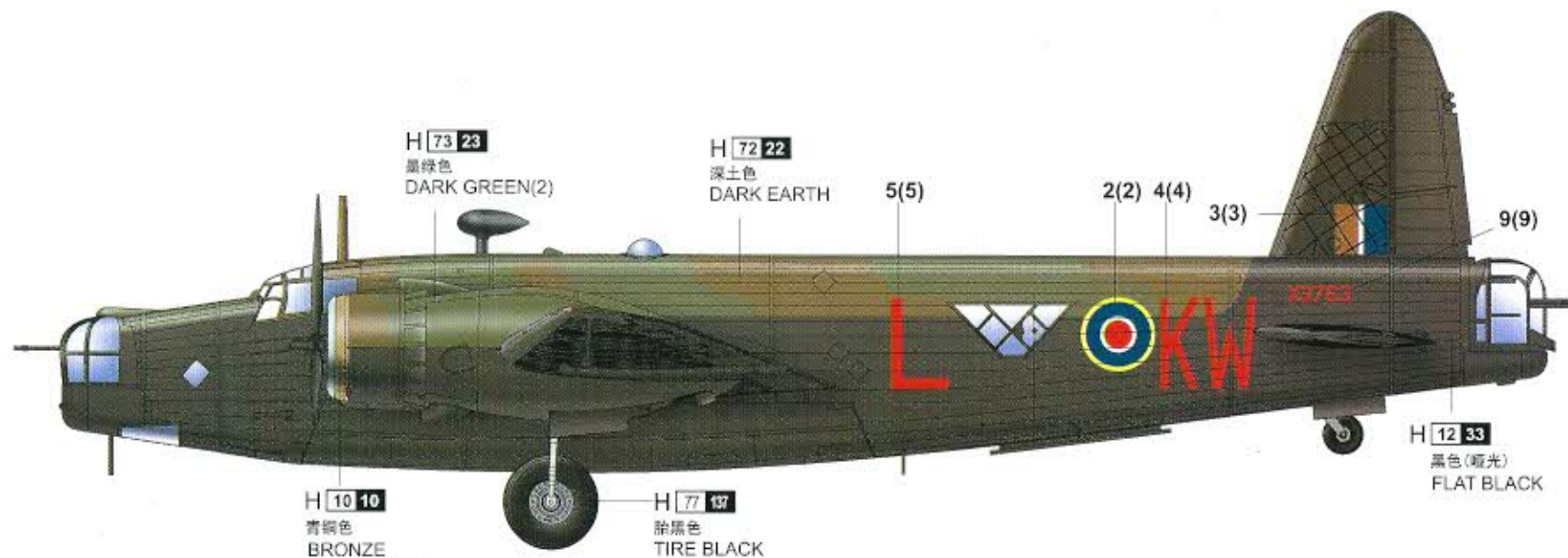
H 12 33  
黑色(哑光)  
FLAT BLACK

H 93 50  
透明蓝  
CLEAR BLUE



**B**

No.425 Sqn RCAF North Yorkshire 1943



H 8 GUNZE SANGYO AQUEOUS HOBBY COLOUR

8 GUNZE SANGYO MR.COLOUR