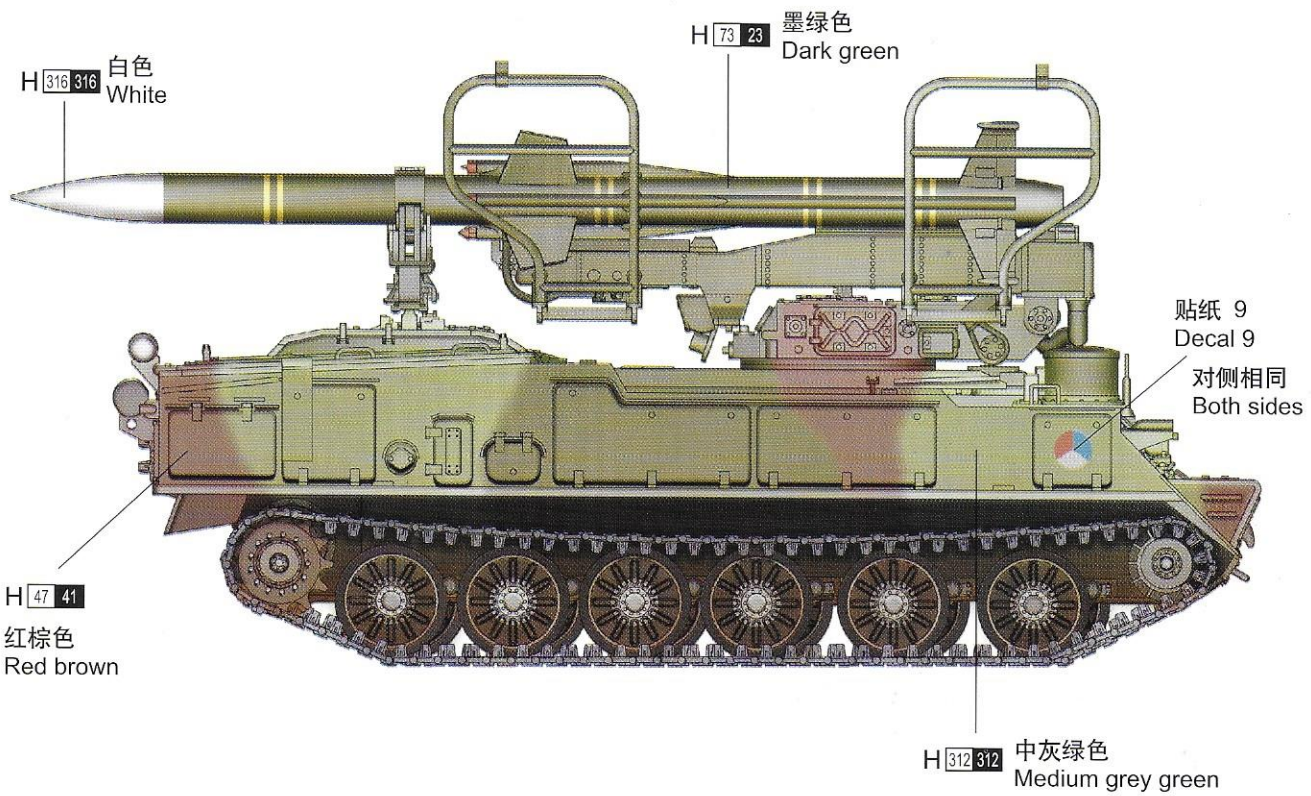
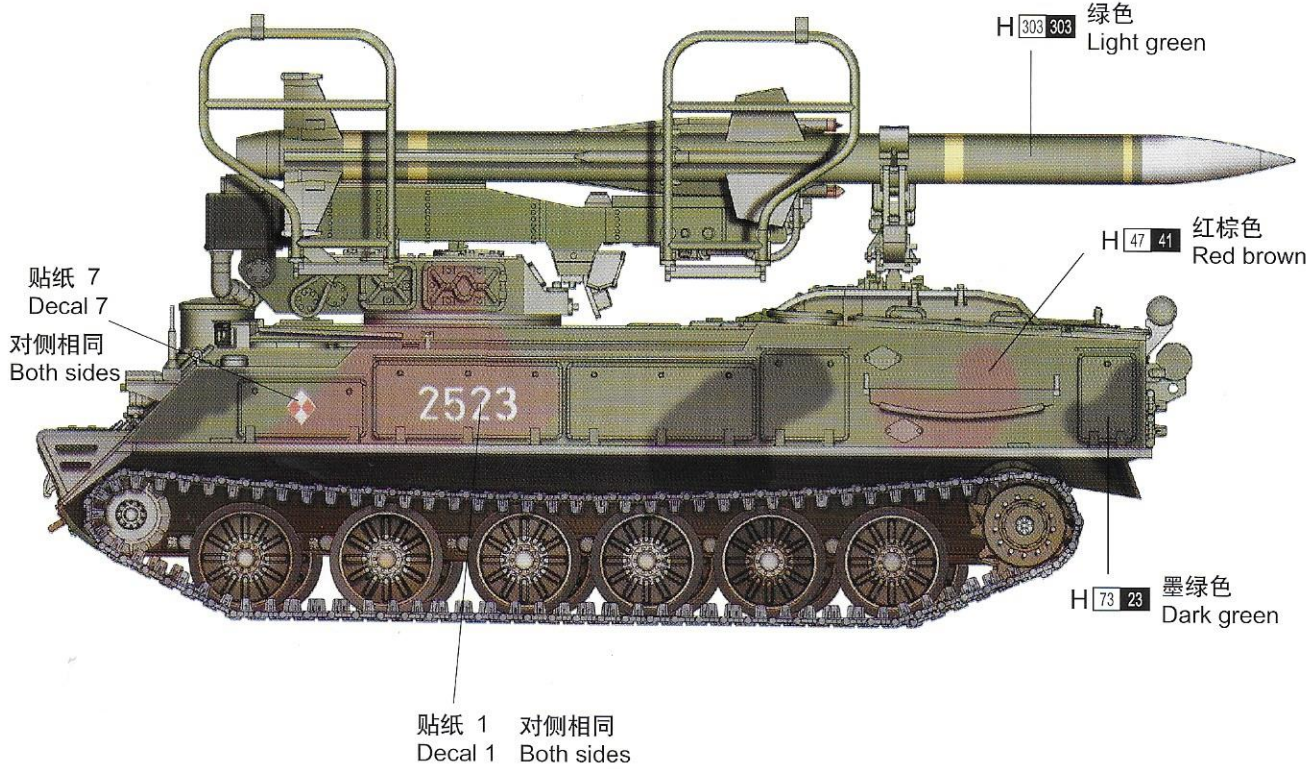


涂装同标贴指示  
Painting & Marking guide

使用郡仕公司涂料:  
Gunze Sangyo Mr.colors used



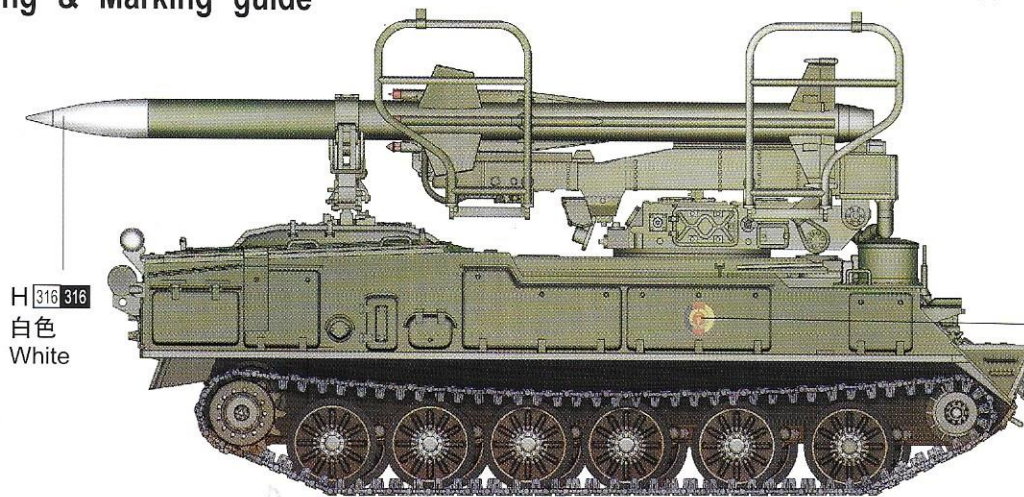
H X GUNZE SANGYO AQUEOUS HOBBY COLOUR

X GUNZE SANGYO MR.COLOUR

00361 1/35 Russia SAM-6 anti-aircraft missile

涂装同标贴指示  
Painting & Marking guide

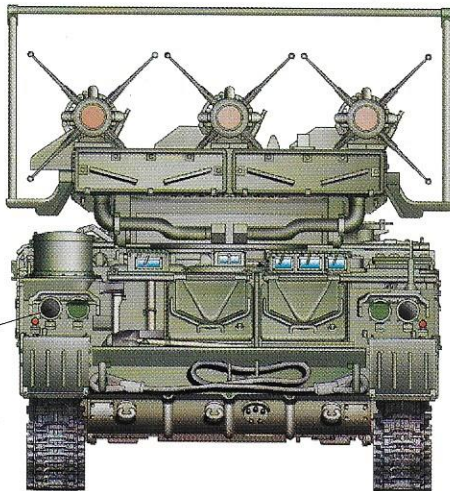
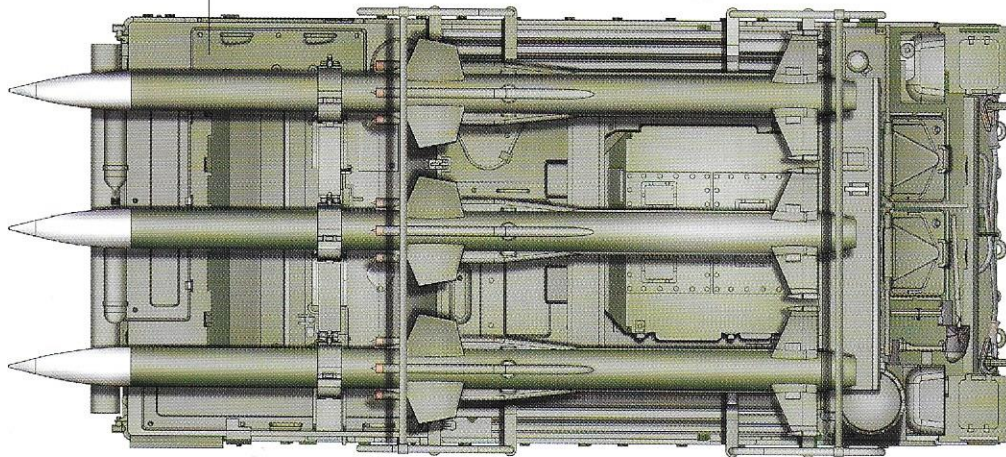
使用郡仕公司涂料:  
Gunze Sangyo Mr.colors used



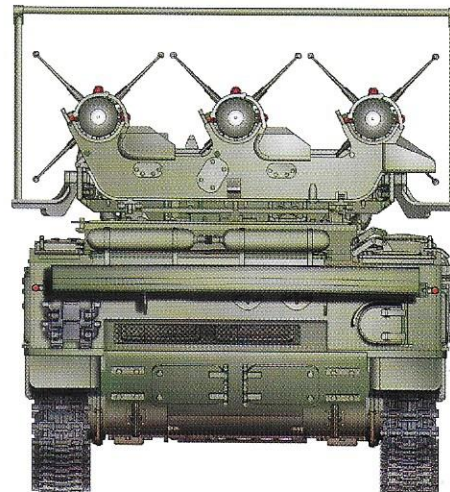
H 316 316  
白色  
White

贴纸 8  
Decal 8  
对侧相同  
Both sides

H 303 303  
绿色  
Light green



H 2 2  
黑色  
Black



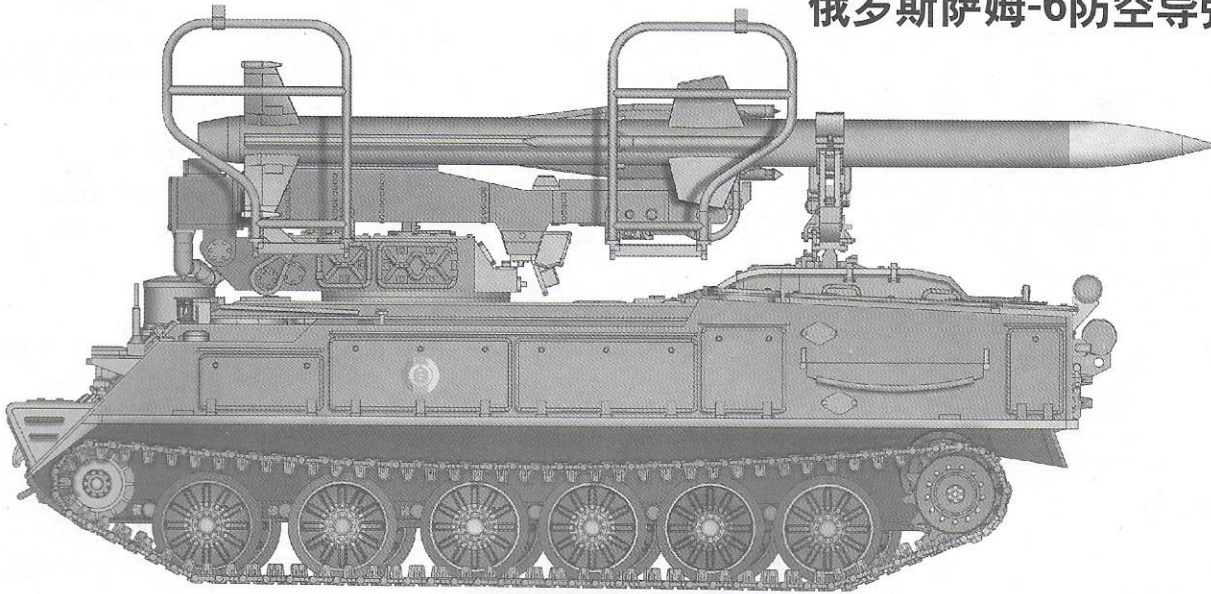
H [X] GUNZE SANGYO AQVEOUS HOBBY COLOUR

X GUNZE SANGYO MR.COLOUR

00361 1/35 Russia SAM-6 anti-aircraft missile

# Russia SAM-6 anti-aircraft missile

## 俄罗斯萨姆-6防空导弹



### READ BEFORE ASSEMBLY

- Study and understand these instructions thoroughly before beginning assembly. Make sure all parts are included by comparing them to those shown on page 2 of these instructions.
- Remove parts from sprues as needed, and trim excess with a hobby knife. Be careful not to lose small parts.
- Remove photo-etch parts from sprue as needed using a hobby knife or photo etch cutter.
- Apply cement to photo etch parts as shown on instructions.
- Applying too much cement will restrict the operation of these movable parts.
- Apply cement carefully! Removed photo etch parts can have sharp edges. Take care when handling these to avoid injury.
- Apply decals to necessary parts prior to assembly.
- Additional tools recommended(not included): Sprue cutter, Long nose pliers, hobby knife, file, tweezers, pin vise, scissors, cement, sandpaper, soft cloth, glue and paint.
- Keep all parts out of reach of children, as they pose a choking hazard. Discard all unnecessary bags and sprues when model is completed to avoid accidental injury.

### 装配之前仔细阅读

- 小心用模型锉刀锉平所有零件表面的注射浇口。
- 小心用刀片切下蚀刻片零件，不要遗失小零件。
- 用强力快干胶水粘合蚀刻片零件和金属轴。过量的快干胶水使用可能导致可动零件会粘住，小心涂胶。
- 取蚀刻片时应特别注意安全，防止利边划伤手指。
- 某些零件表面需贴水上贴纸，请选择在装配的同时进行。
- 推荐模型工具(自备)：胶水，水口剪刀，长咀钳，刀片，锉刀，镊子钳，钻，剪刀，瞬间快干胶。
- 软布同砂纸同时也应该是必备工具。
- 请使用塑料胶水和油漆，模型内不含。
- 谨防小孩吸吮塑料零件，或者将塑料袋套在头上，制作时应将套材远离小孩接触。



cyanoacrylate glue  
使用强力胶



weight  
配重



make hole  
钻孔



cut / remove  
切除



bend  
弯曲



file / sand  
锉平



option  
选择



no cement  
不涂胶水



decal  
贴纸

### 水贴纸的使用:

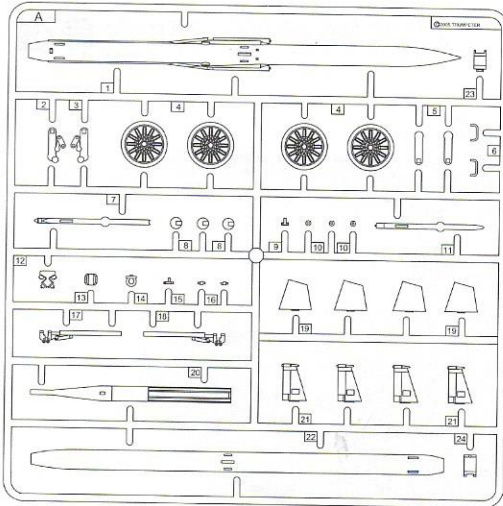
1. 从水贴纸上剪下印花;
2. 将印花放入温水中浸10秒, 然后放在干净布上。
3. 拿着印花纸板将印花移到模型上;
4. 手指蘸水将印花移到适当的位置;
5. 用软布轻压印花直至水干, 气泡消失。

### DECAL APPLICATION

1. Cut off decal from sheet.
2. Dip the decal in tepid water 40°C for about 10 sec. and place on a clean cloth.
3. Hold the backing sheet edge and slide decal onto the model.
4. Move decal into position by wetting decal with finger.
5. Press decal gently down with a soft cloth until excess water and air bubbles are gone.

# 部品图 Parts

A × 3



胶管  $\phi 2.9 \times 50\text{mm}$

Pastern duct  $\phi 2.9 \times 50\text{mm}$



胶管  $\phi 1.2 \times 200\text{mm}$

Pastern duct  $\phi 1.2 \times 200\text{mm}$

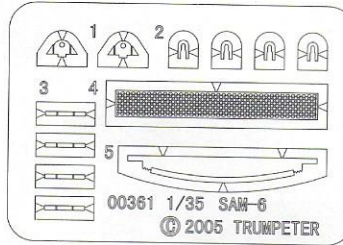


铜丝  $\phi 0.8 \times 150\text{mm}$

Brass wire  $\phi 0.8 \times 150\text{mm}$

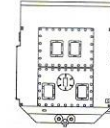
蚀刻片

Photo etched parts (PE)

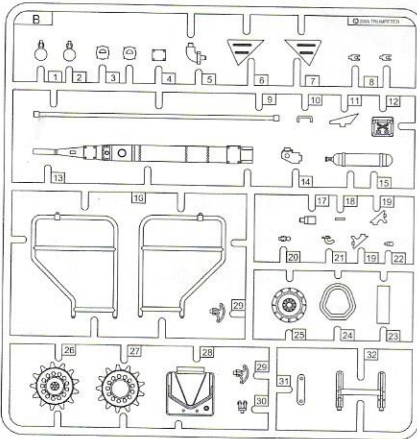


弹簧 × 2  
Spring

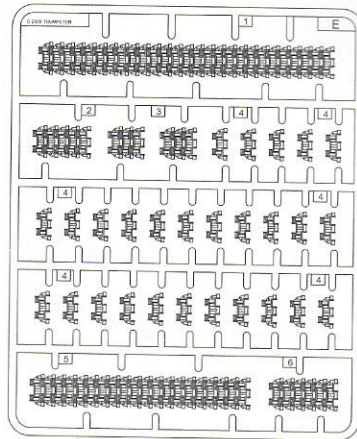
贴纸  
Decal



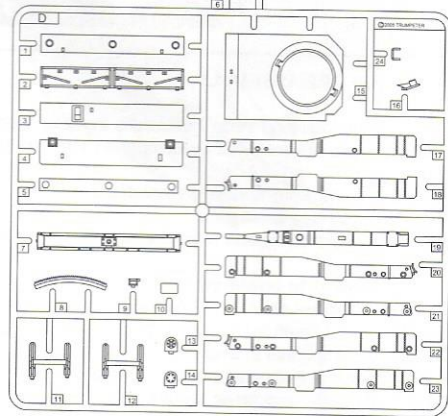
B × 2



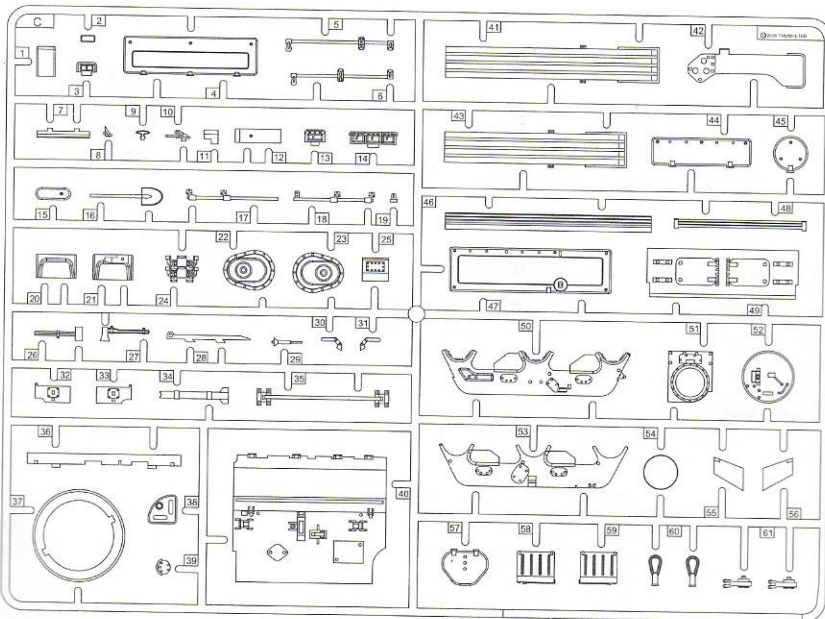
E × 2



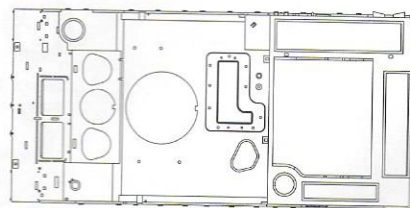
D



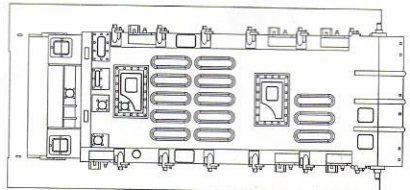
C



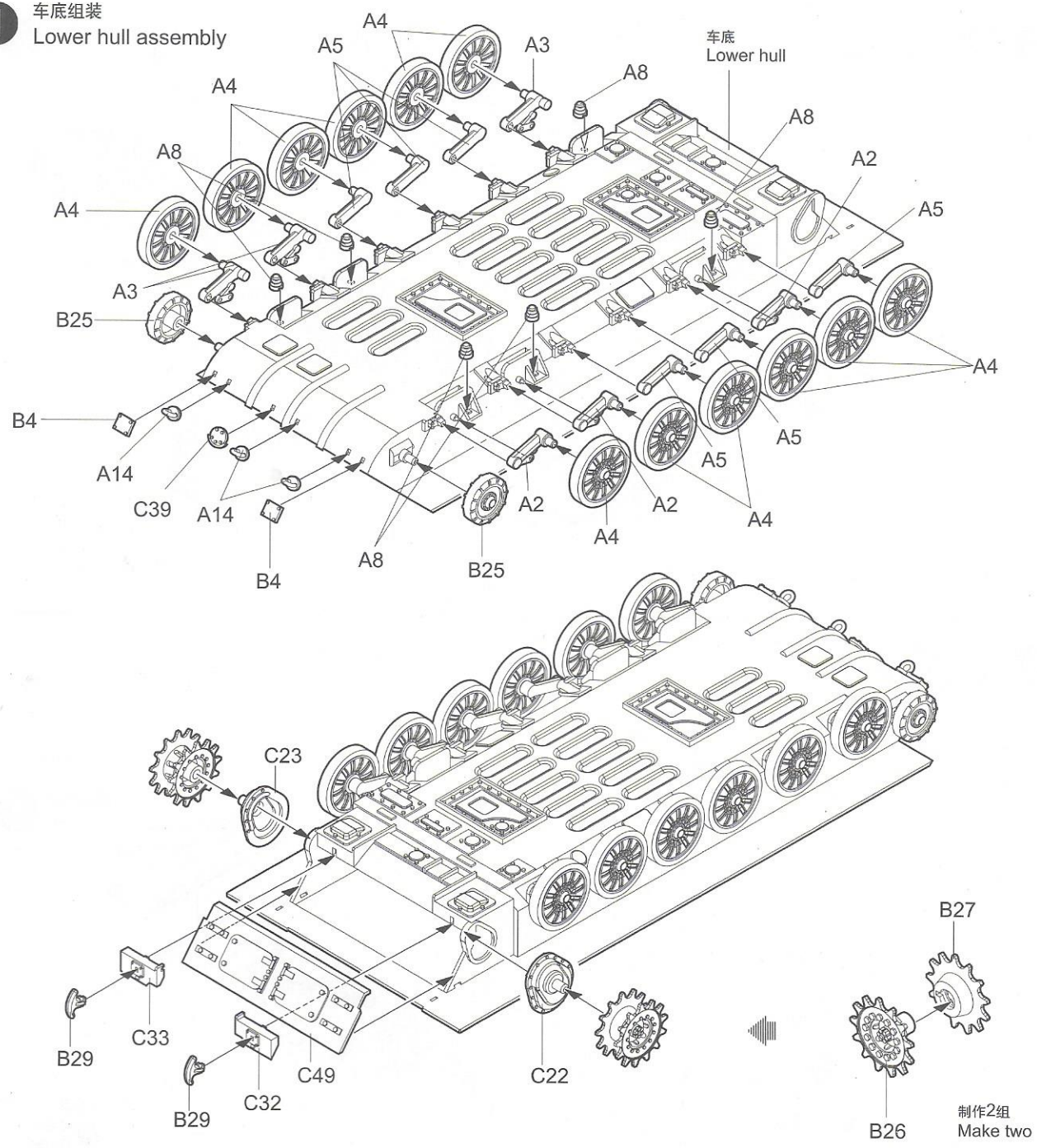
车面  
Upper hull



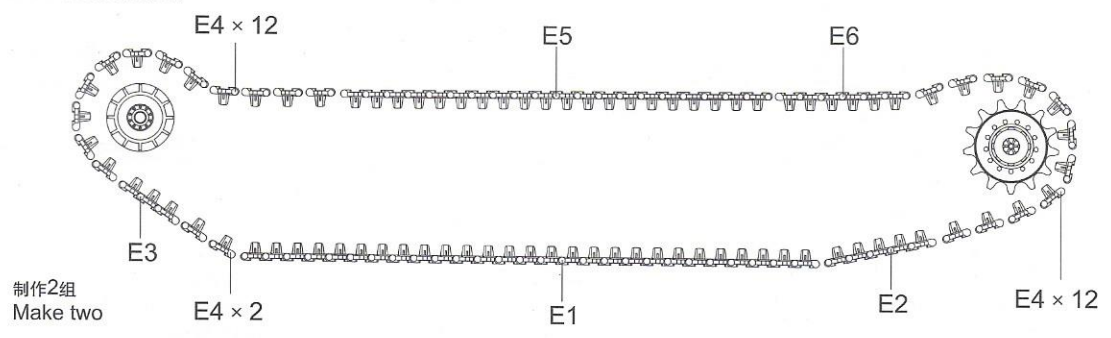
车底  
Lower hull



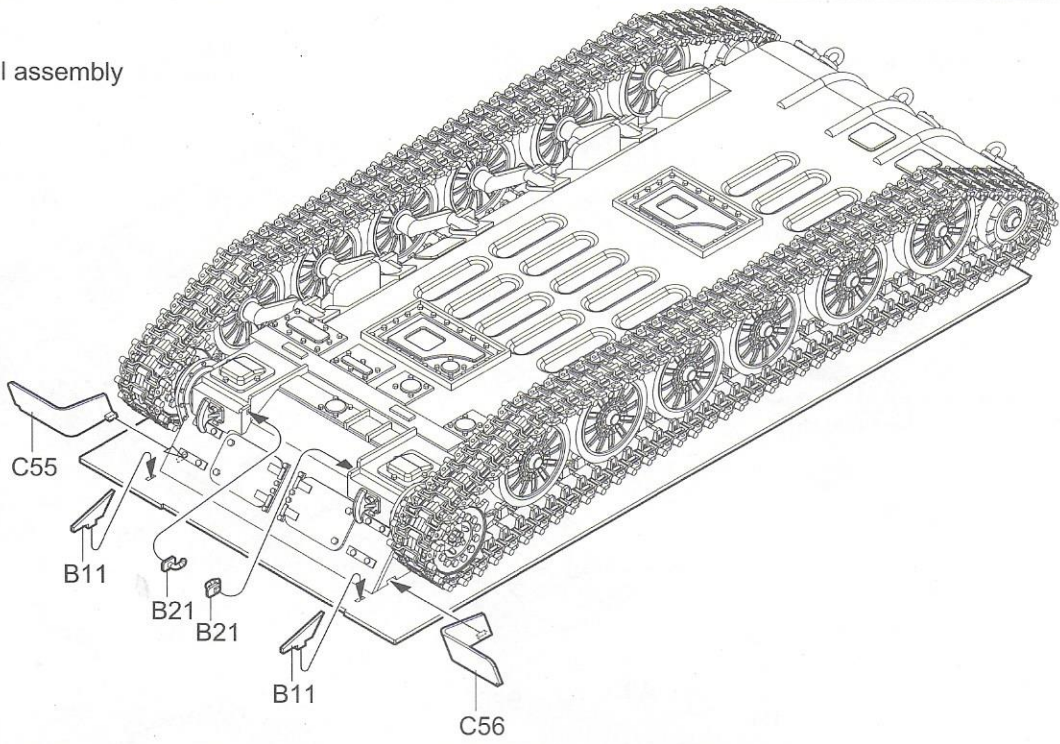
**1** 车底组装  
Lower hull assembly



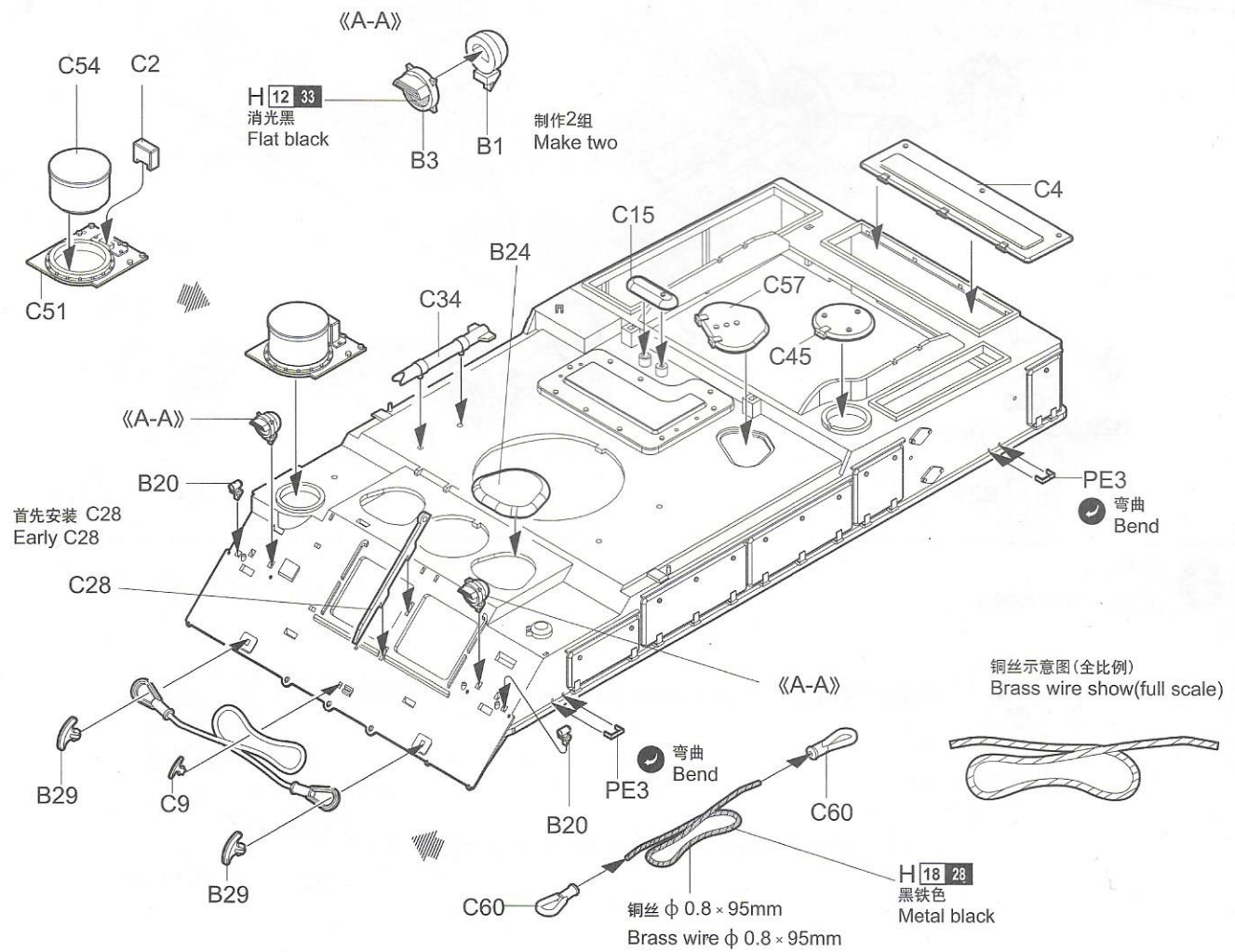
**2** 履带链接  
Track construction



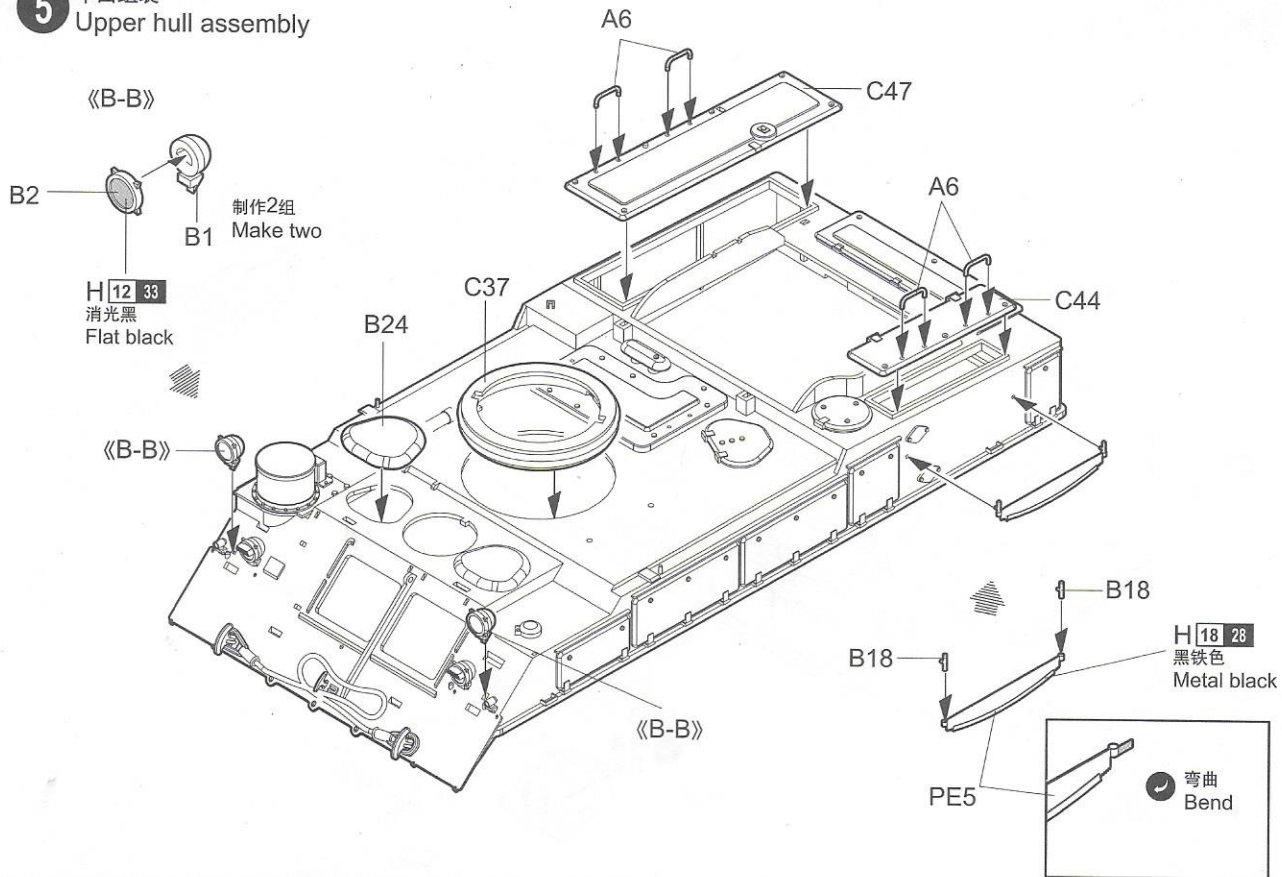
**3** 后板组装  
Rear panel assembly



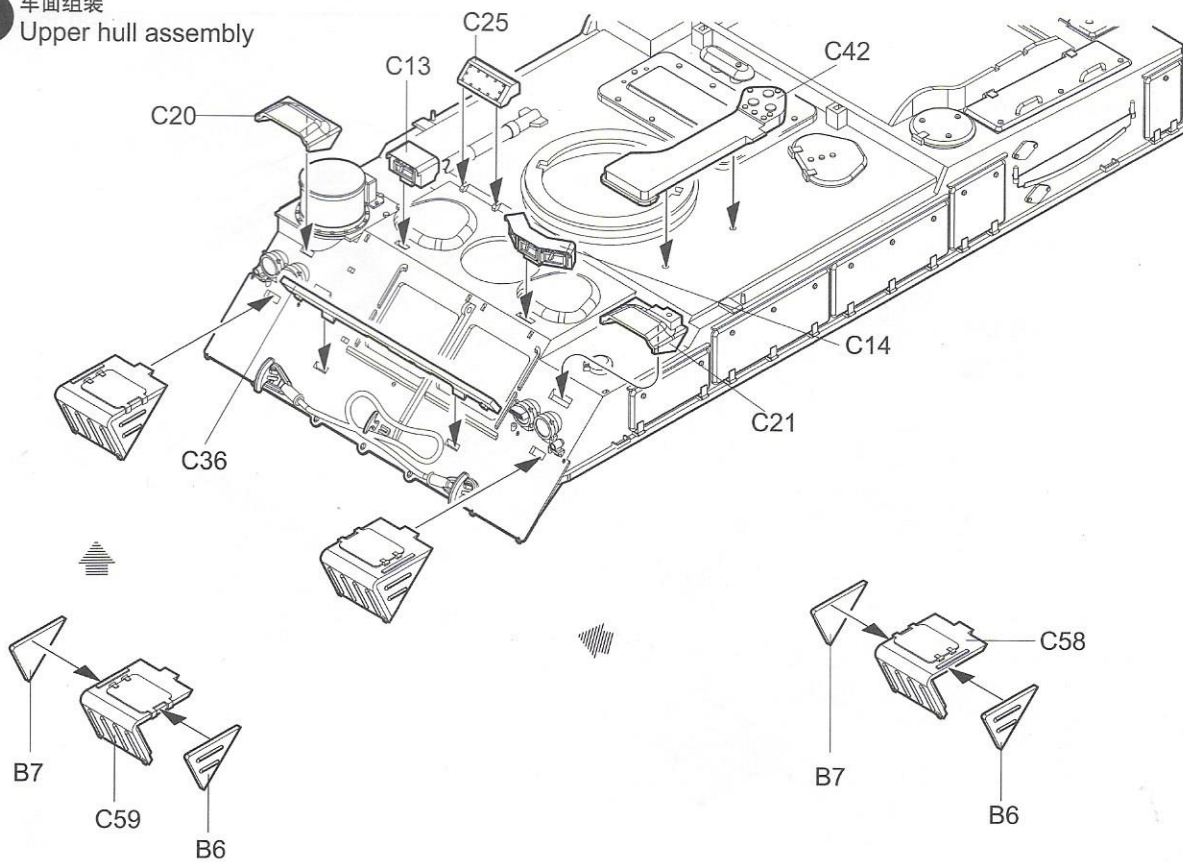
**4** 上车体组装  
Upper hull assembly



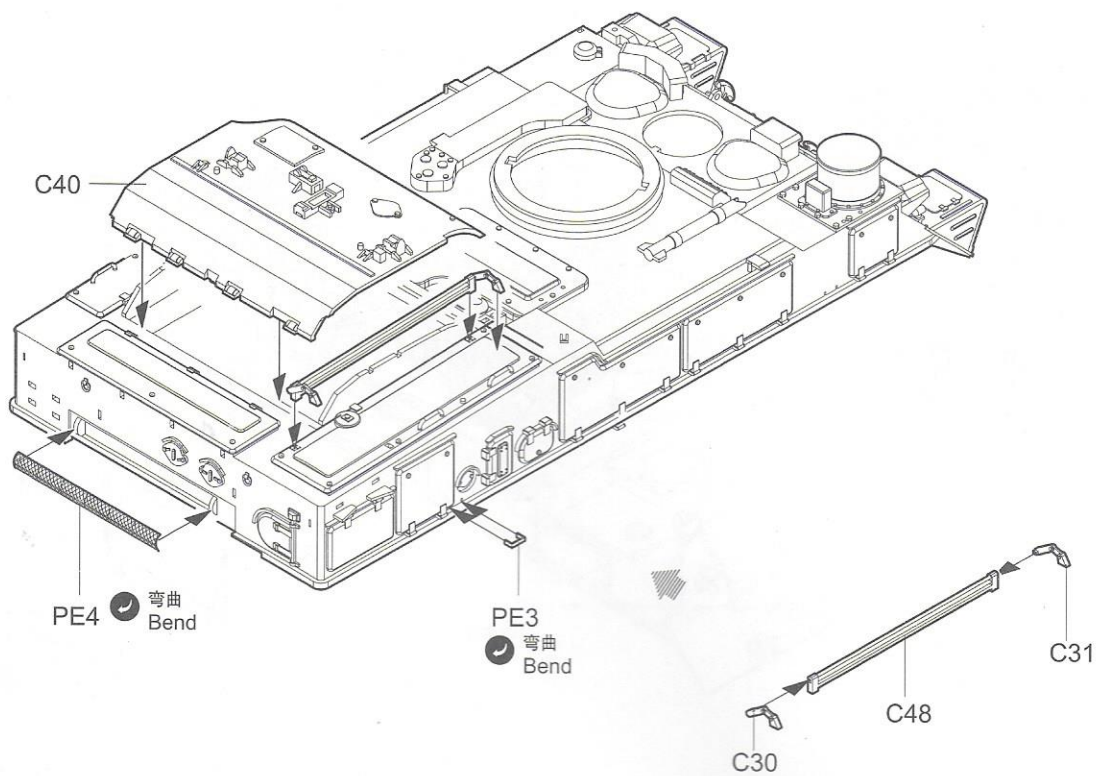
**5** 车面组装  
Upper hull assembly



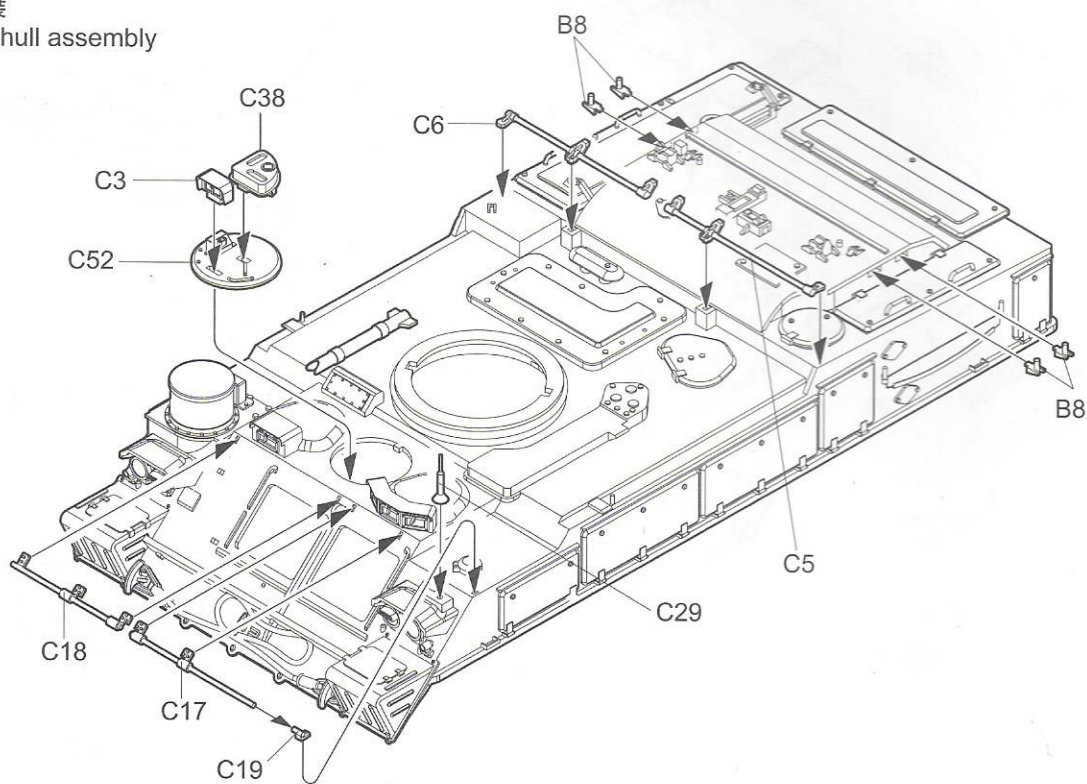
**6** 车面组装  
Upper hull assembly



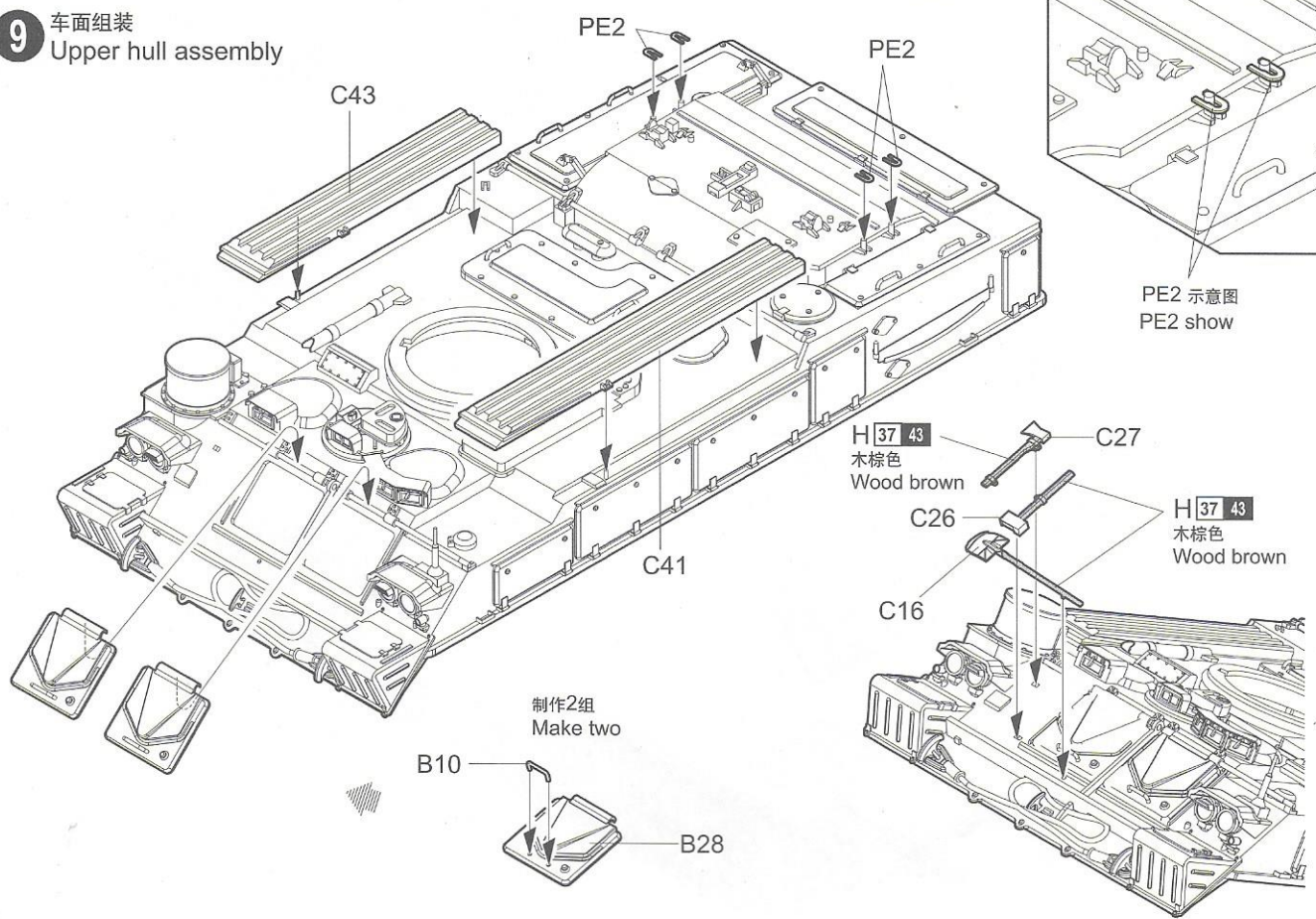
**7** 车面组装  
Upper hull assembly



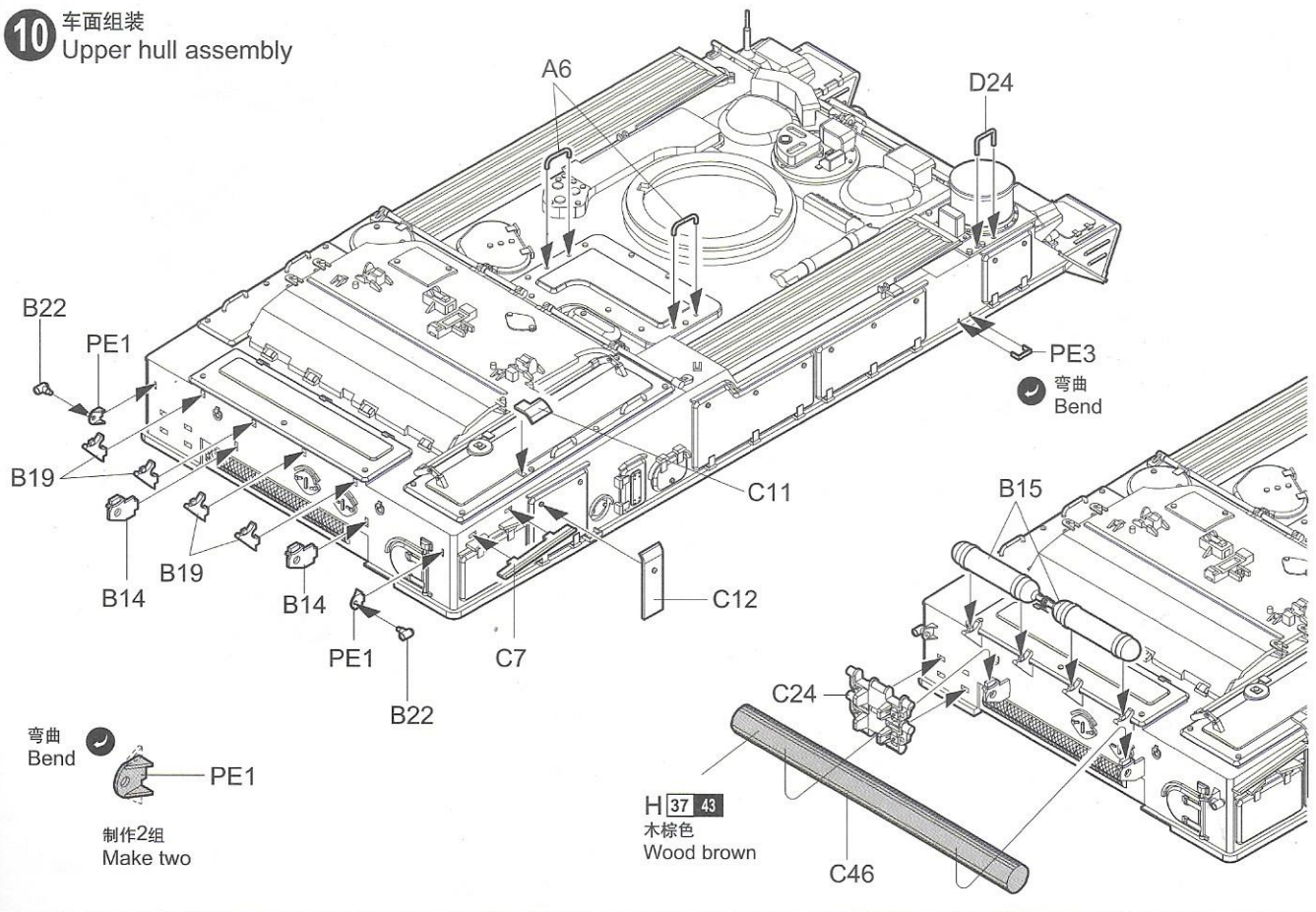
**8** 车面组装  
Upper hull assembly



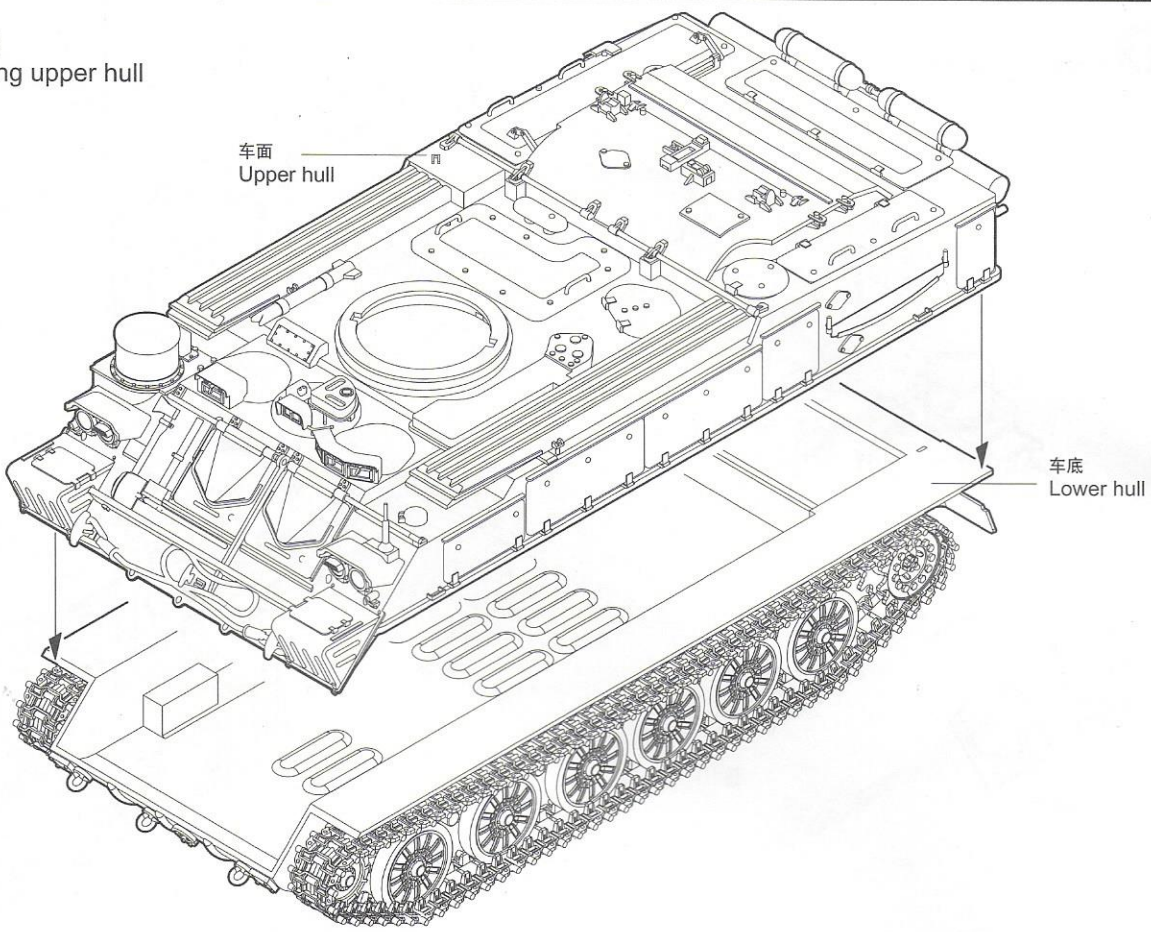
**9** 车面组装  
Upper hull assembly



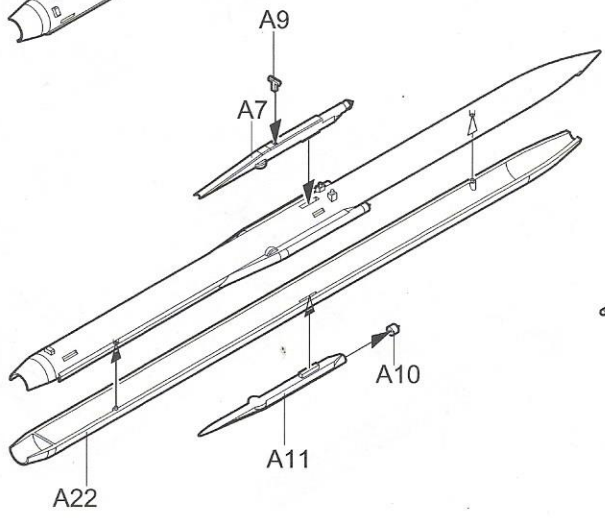
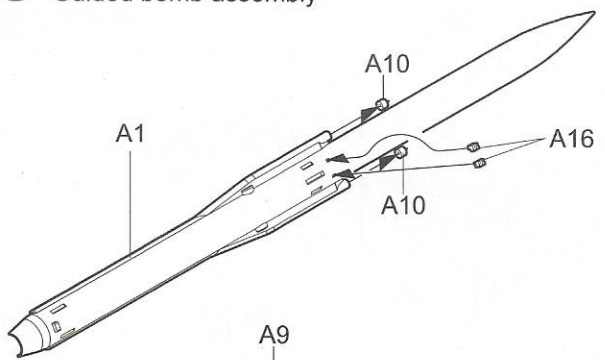
**10** 车面组装  
Upper hull assembly



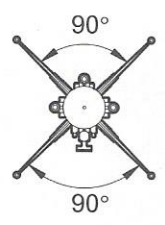
**11** 车体安装  
Attaching upper hull



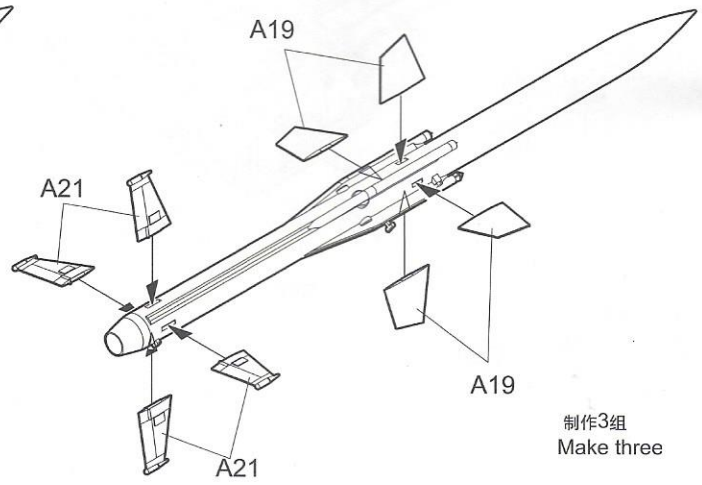
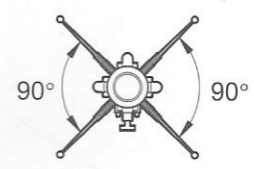
**12** 导弹组装  
Guided bomb assembly



前示意图  
Front show

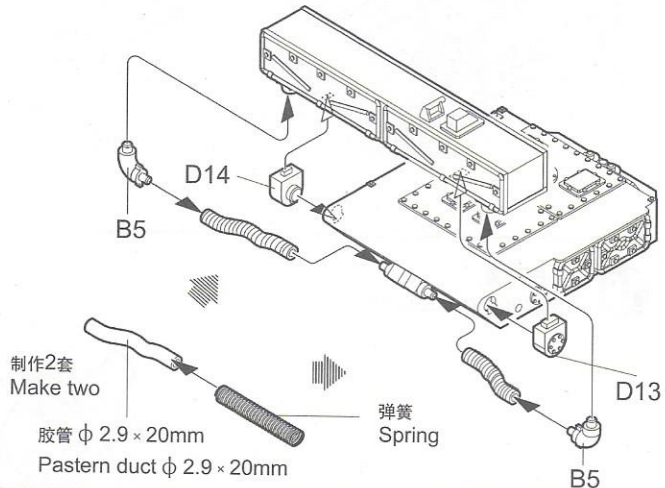
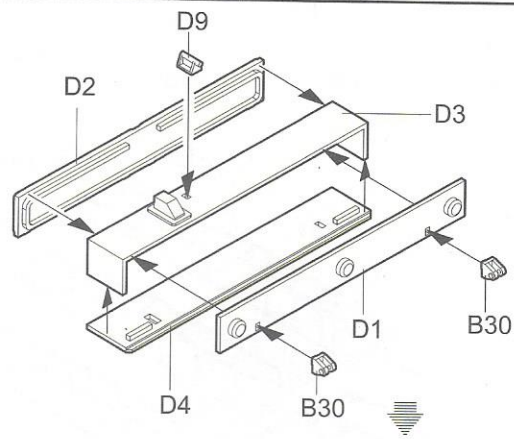
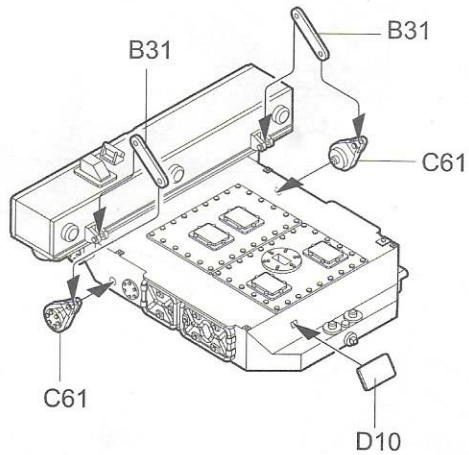
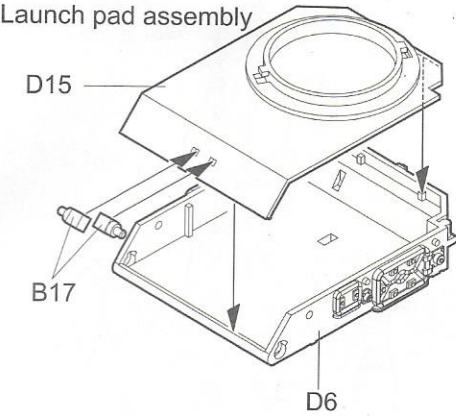


后示意图  
Rear show



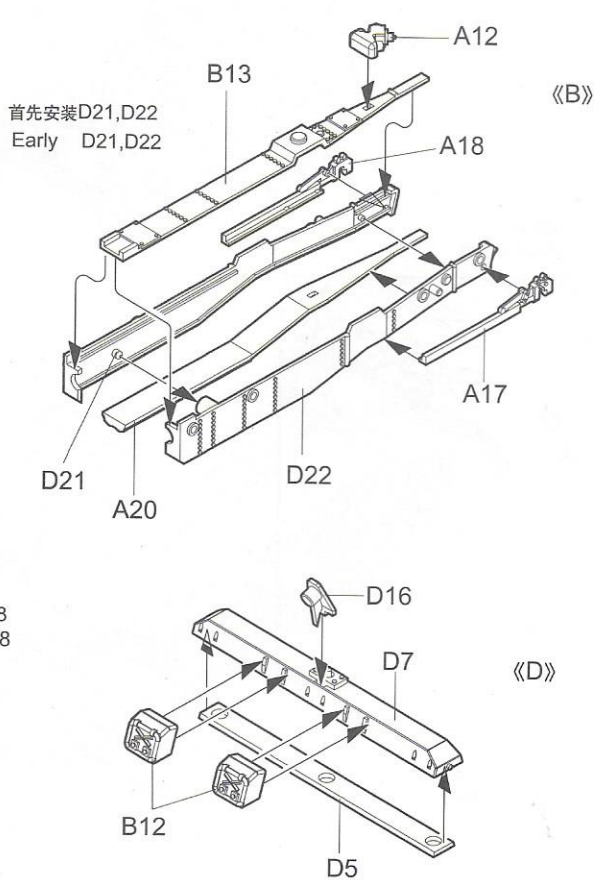
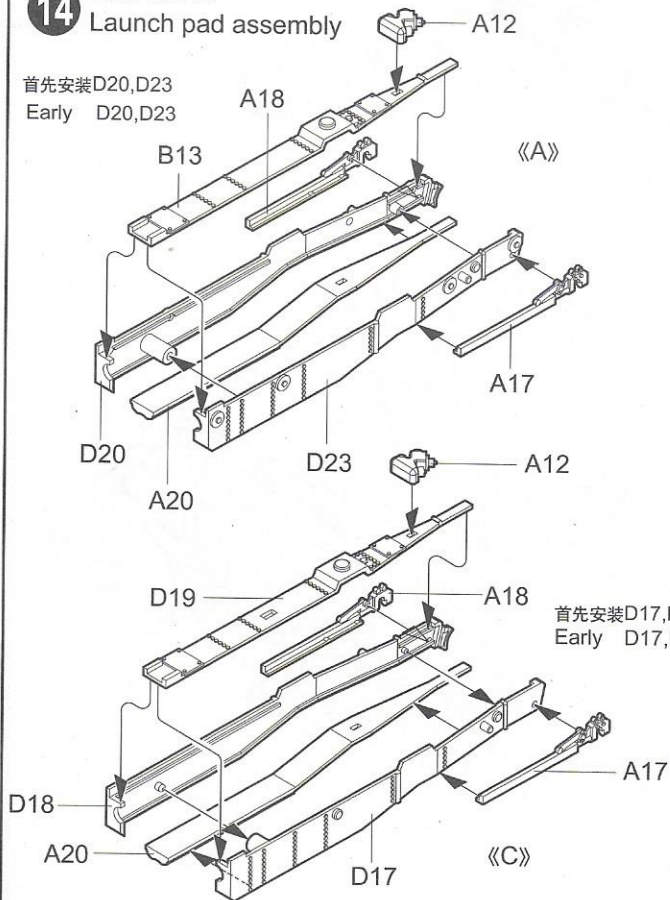
制作3组  
Make three

**13** 发射台的组装  
Launch pad assembly

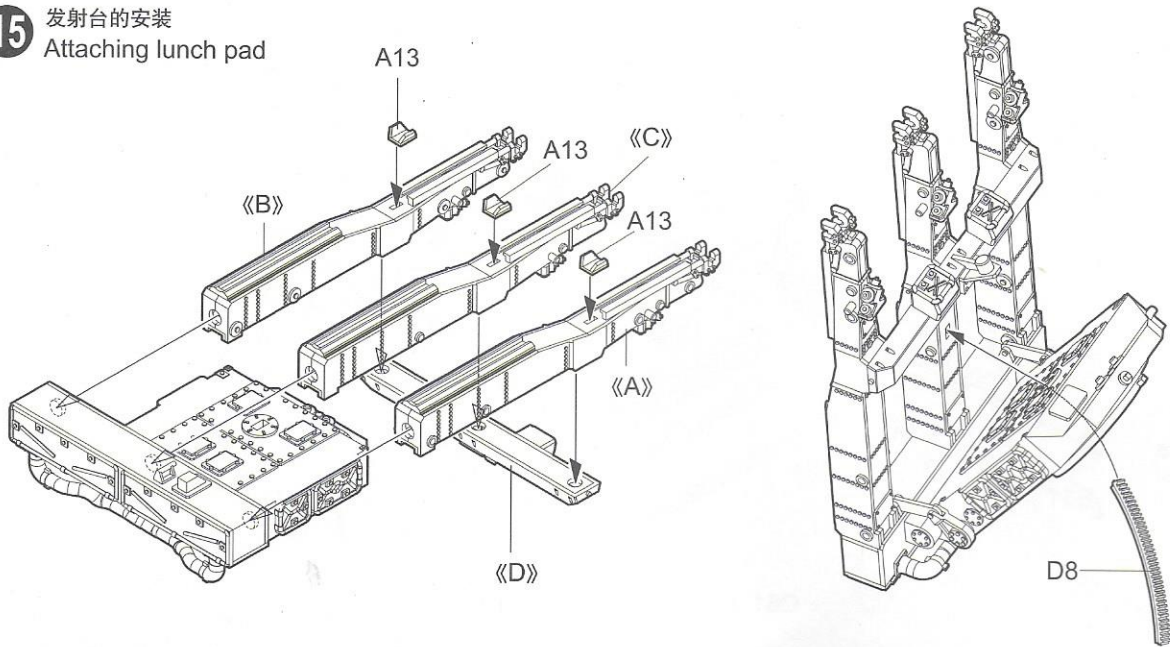


**14** 发射台的组装  
Launch pad assembly

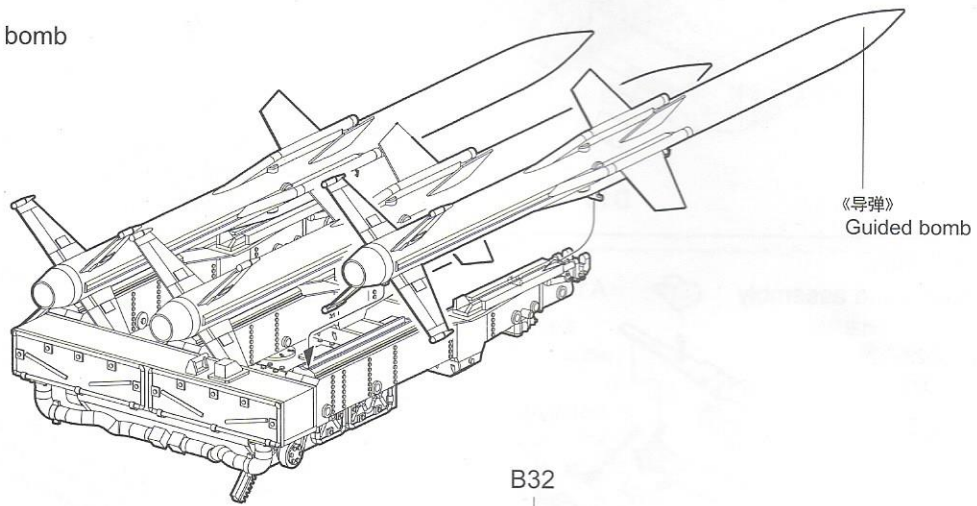
首先安装D20,D23  
Early D20,D23



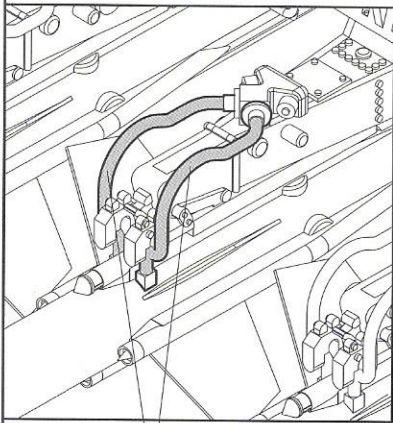
**15** 发射台的安装  
Attaching launch pad



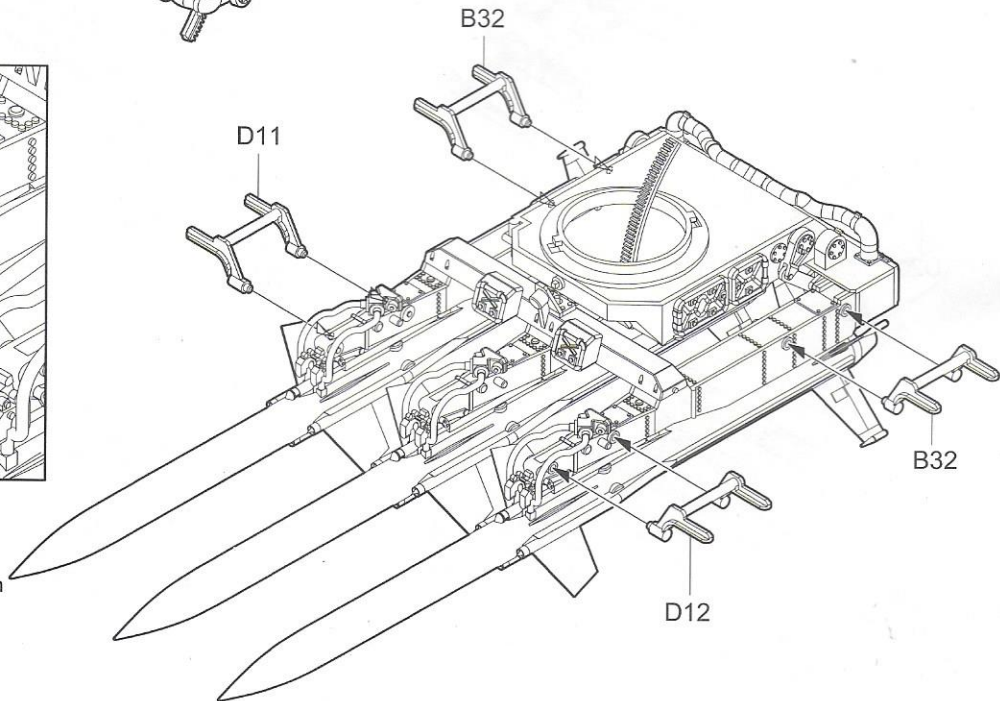
**16** 导弹的安装  
Attaching guided bomb



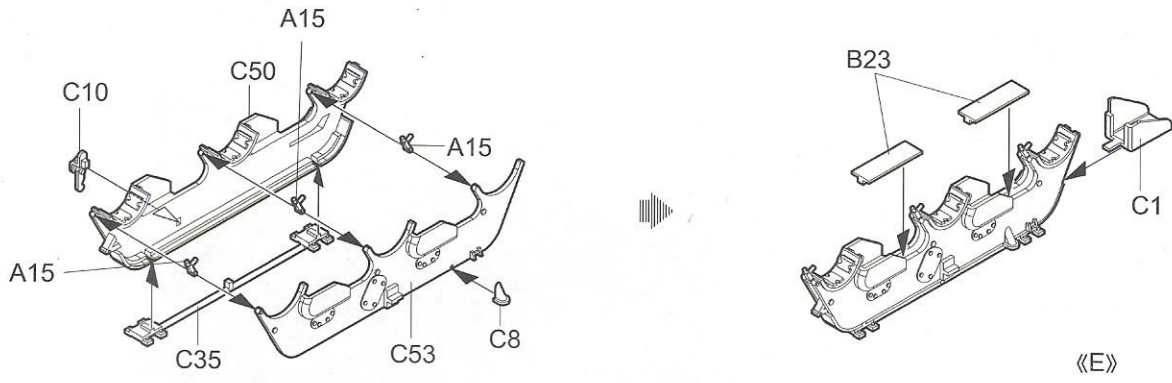
制作3组  
Make three



软管  $\varnothing 1.2 \times 26\text{mm}$   
Pastern duck  $\varnothing 1.2 \times 26\text{mm}$

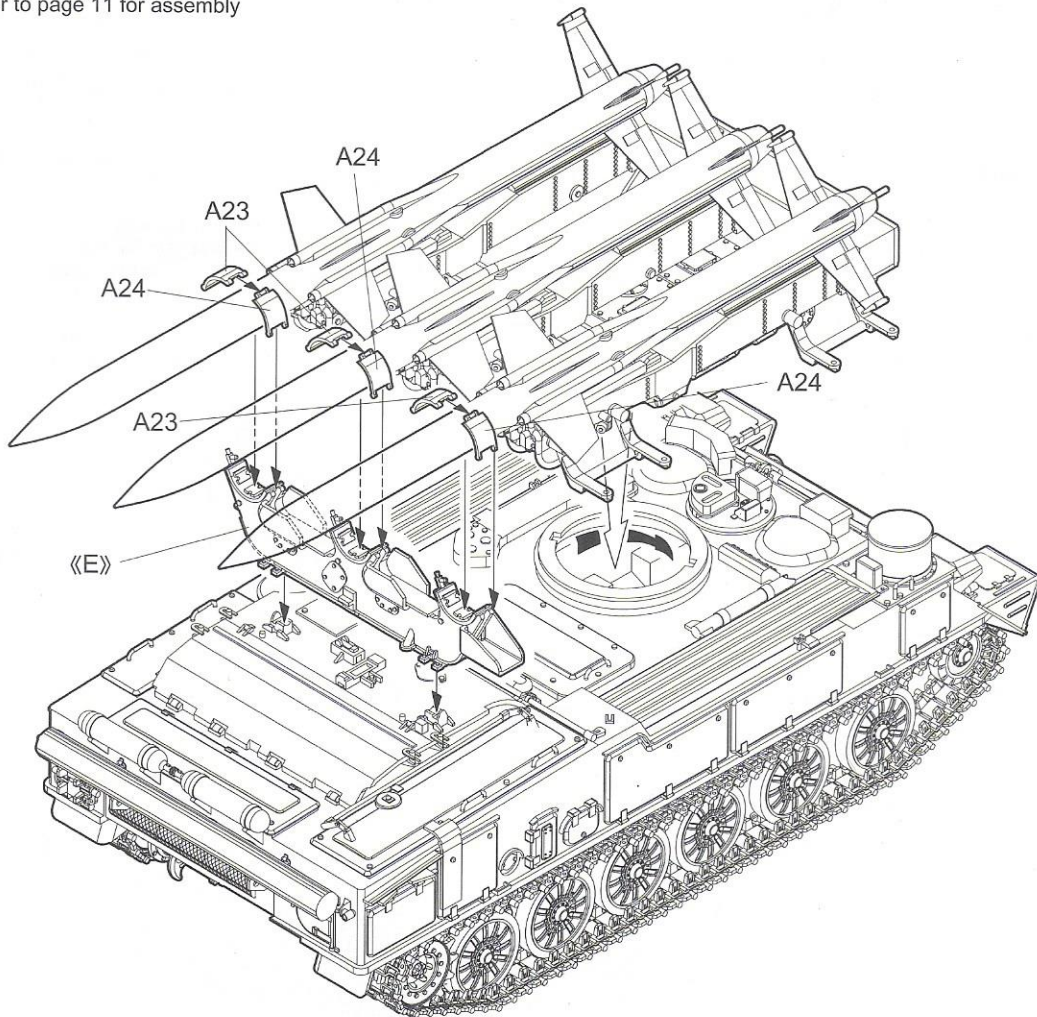


**17** 固定架的组装  
Immobility rack assembly

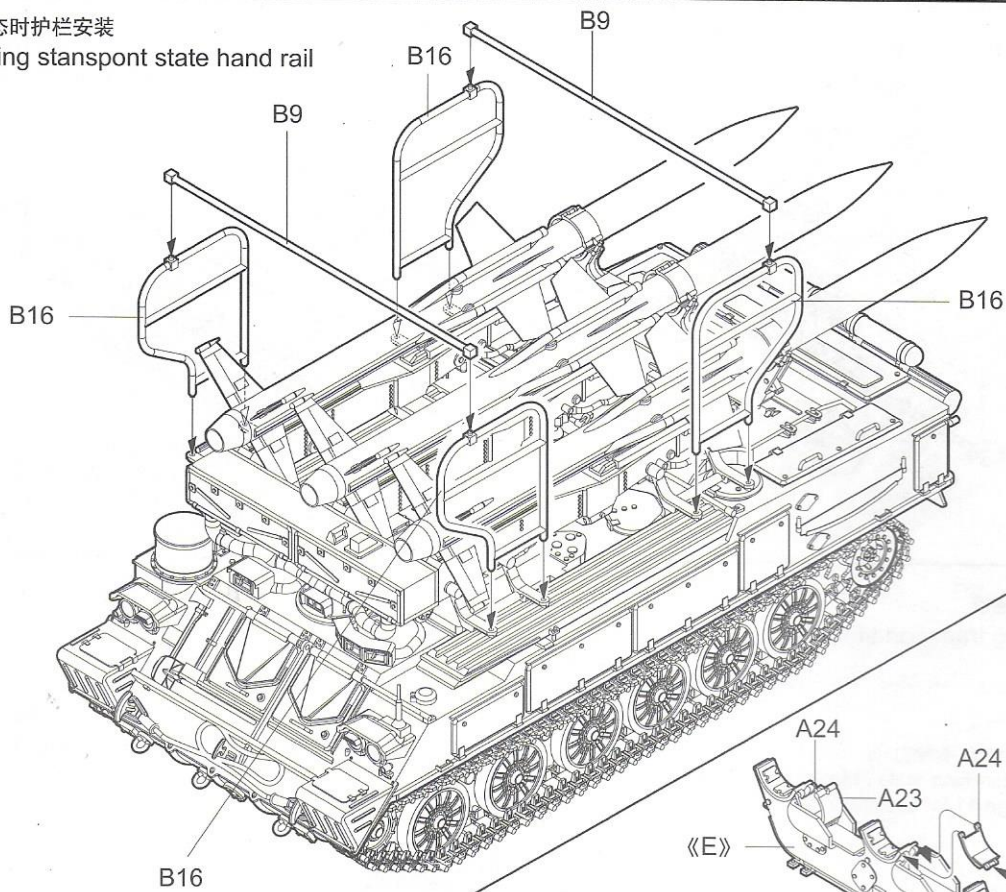


**18** 运输状态连接  
Attaching transport state

选择组装发射状态, 参阅第11页  
Select to launching state . Please refer to page 11 for assembly



**19** 运输状态时护栏安装  
Attaching transport state hand rail



**20** 发射状态时护栏安装  
Attaching launching state hand rail

