



F-100D SUPER SABRE

1:32 SCALE

F-100D超佩刀

READ BEFORE ASSEMBLY:

- This kit is not recommended for inexperienced modelers or for children under 14 years of age
- Study and understand these instructions thoroughly before beginning assembly
- When needed, remove photo-etch parts carefully using a modeling knife or photo etch sprue cutter, being careful not to damage or lose small parts.
- Take extra care in handling photo etch parts in order to avoid injury
- Apply instant cement sparingly to photo etch parts where instructed

- Tools recommended(not included in kit):Plastic and instant cements,sprue cutters,long nose pliers,modeling knife, small files, tweezers, pin vise & scissors. Soft cloth and sandpaper will also assist in construction
- Glue and paint are not included in the kit. Use plastic cement and hobby paints only. Color guide for purchasing paint is included in the kit.
- Keep out of reach of children. They must not be allowed to ingest small parts or handle plastic bags in any way.

装配之前仔细阅读

- 小心用模型锉刀锉平所有零件表面的注射浇口。
- 小心用刀片切下蚀刻片零件，不要遗失小零件。
- 用强力快干胶水粘合蚀刻片零件和金属轴。过量的快干胶水使用可能导致零件会粘住，小心涂胶。
- 取蚀刻片时应特别注意安全，防止利边划伤手指。
- 某些零件表面需贴水上贴纸，请选择在装配的同时进行。
- 推荐模型工具(自备)：胶水，水口剪刀，长咀钳，刀片，锉刀，镊子钳，钻，剪刀，瞬间快干胶。
- 软布同砂纸同时也应该是必备工具。
- 请使用塑料胶水和油漆，模型内不含。
- 谨防小孩吸吮塑料零件，或者将塑料袋套在头上，制作时应将套材远离小孩接触。
- 本产品不适合14岁以下没有经验的模型爱好者。

水贴纸的使用:

1. 从水贴上剪下印花;
2. 将印花放入温水中浸10秒，然后放在干净布上。
3. 拿着印花纸板将印花移到模型上;
4. 手指蘸水将印花移到适当的位置;
5. 用软布轻压印花直至水干，汽泡消失。

DECAL APPLICATION:

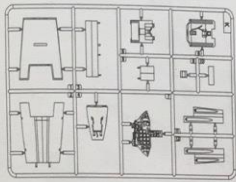
1. Cut decals from sheet as needed
2. Dip the decal in warm water for about 10 seconds and then place on soft clean cloth.
3. Hold the decal backing sheet edge and gently slide the decal onto the model in its proper position.

4. While still wet, decal can be adjusted for better fit on model by dampening it gently with your finger.
5. When placed in the proper position, gently press decal down with a soft cloth until excess water and air bubbles are gone.
6. Allow decal to dry completely before handling model

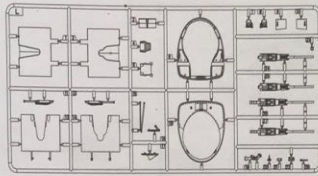


部品图

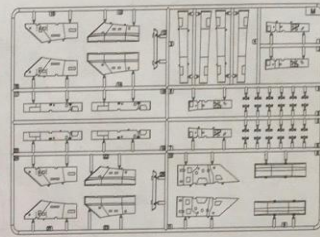
K×1



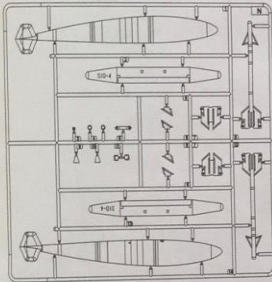
L×1



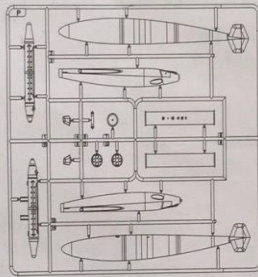
M×1



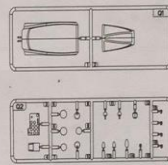
N×2



P×1



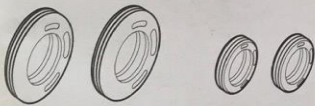
Q×1



<<水贴纸>>
Decal



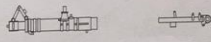
<<菲林片>>
Film part



主轮胎
Main tire

前轮胎
Nose tire

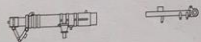
锌合金部件
Metal parts



左侧主起落架
Left main
undercarriage



前起落架
Nose undercarriage

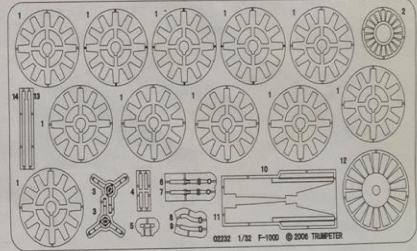


右侧主起落架
Right main
undercarriage

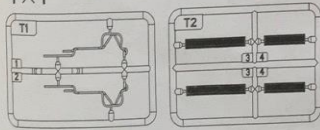


金属配重
Ballast

蚀刻片
Photo etched
part(PE)

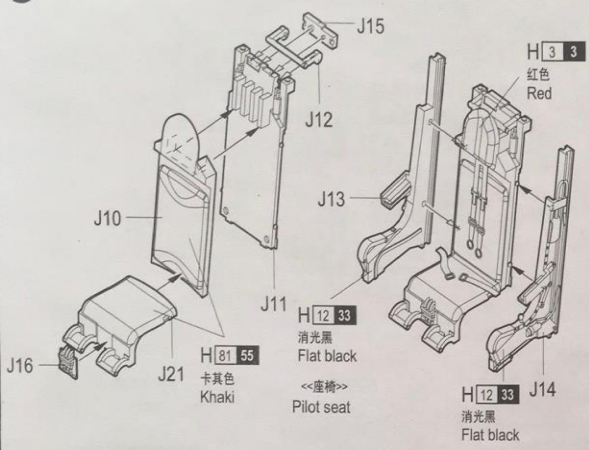


T×1

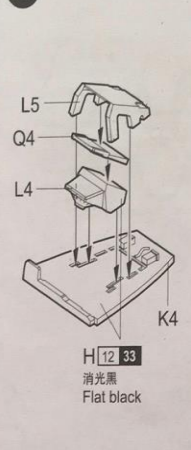


02232

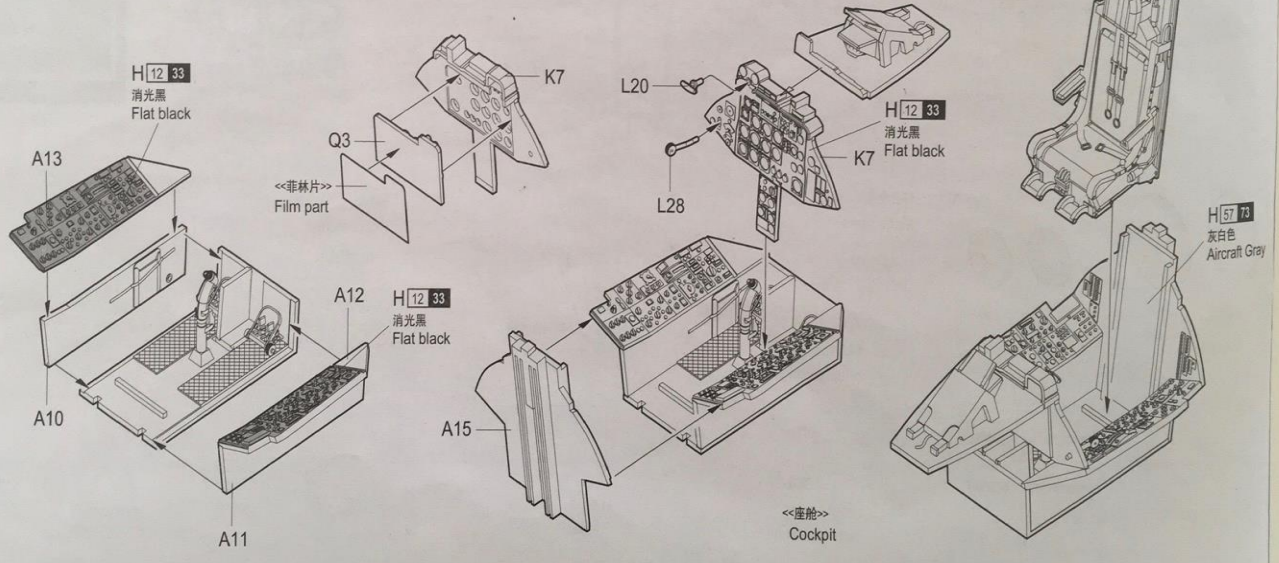
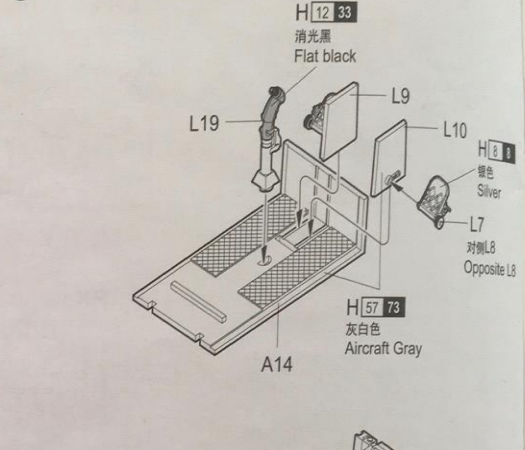
1

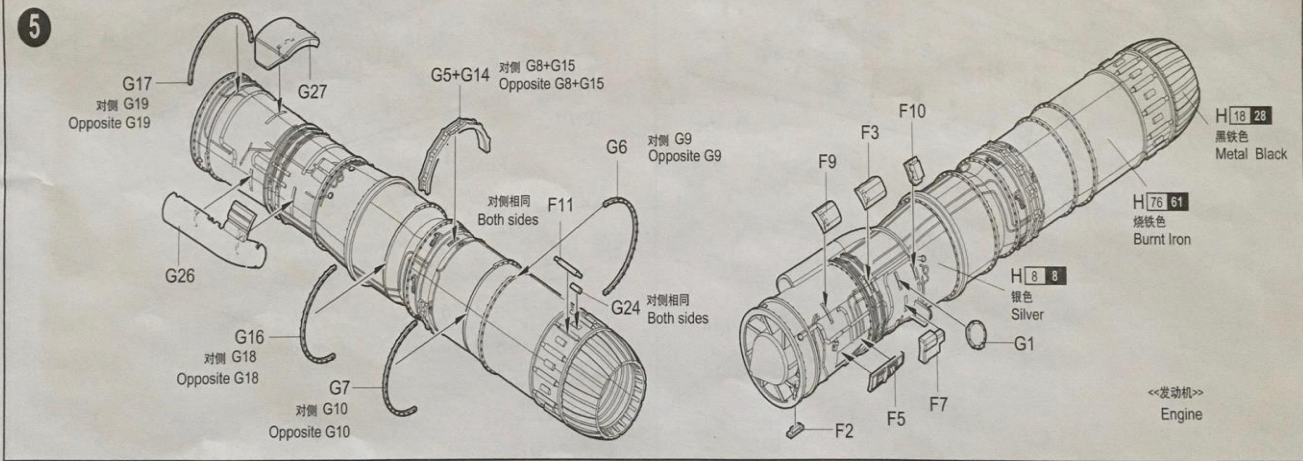
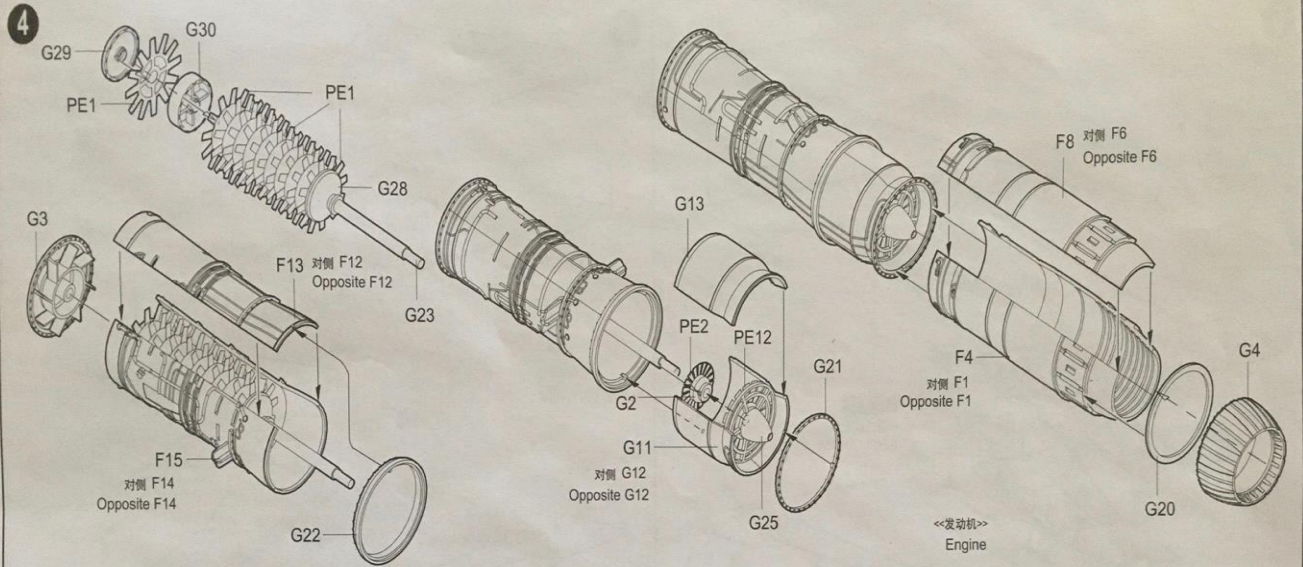


2



3

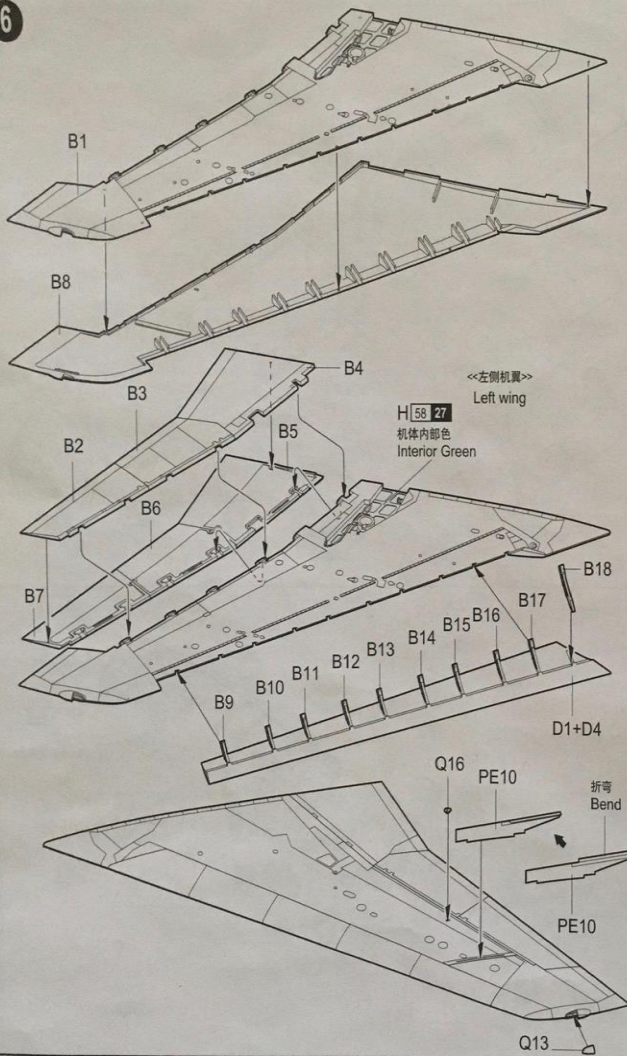




02232

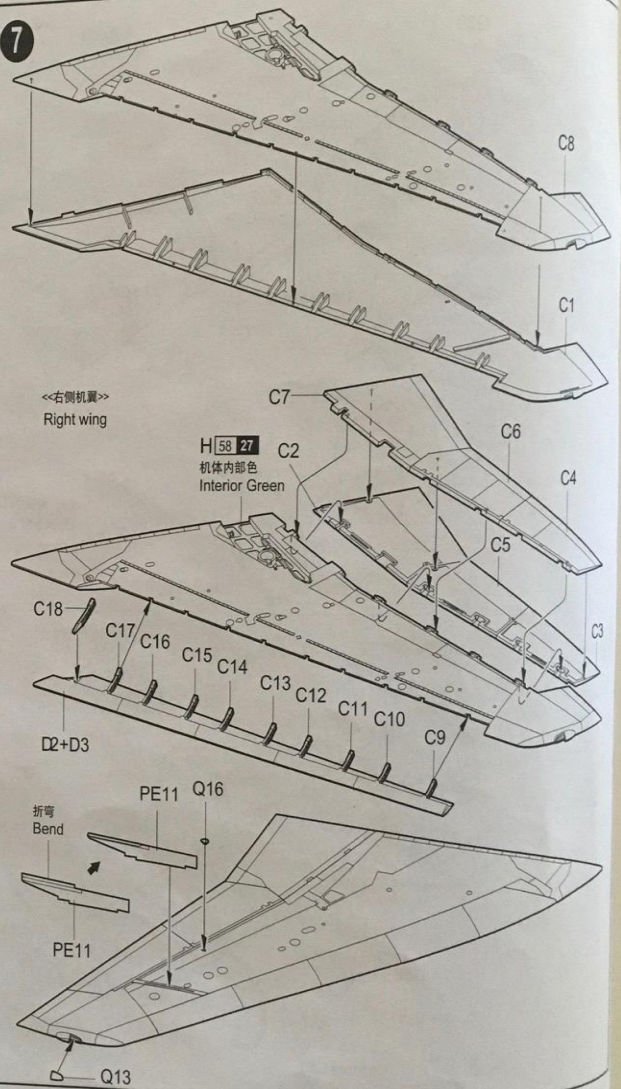
5

6



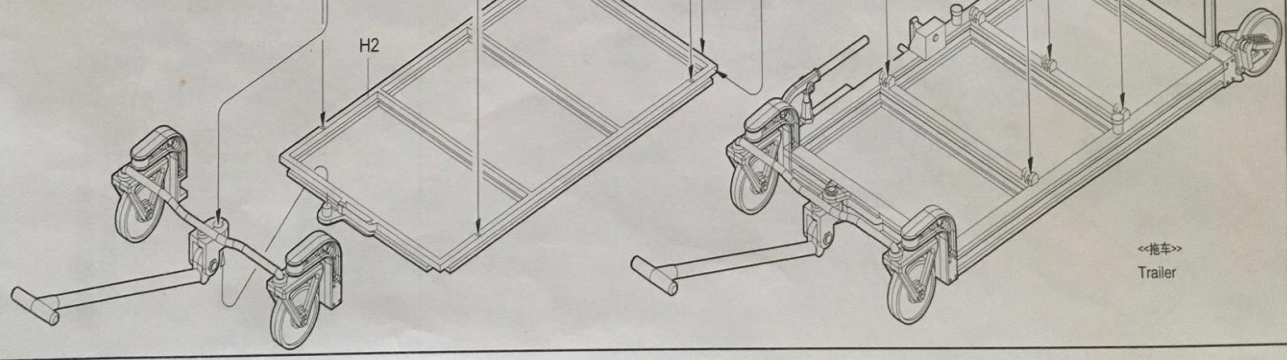
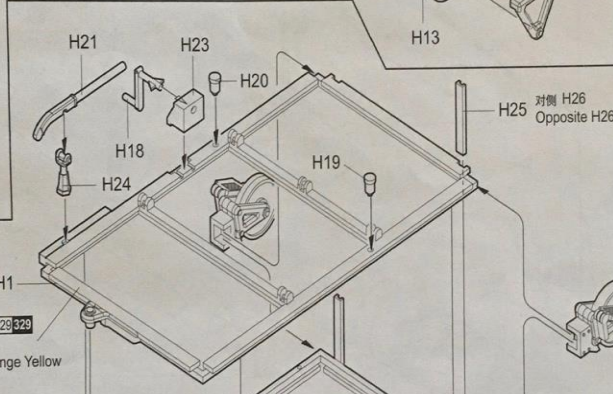
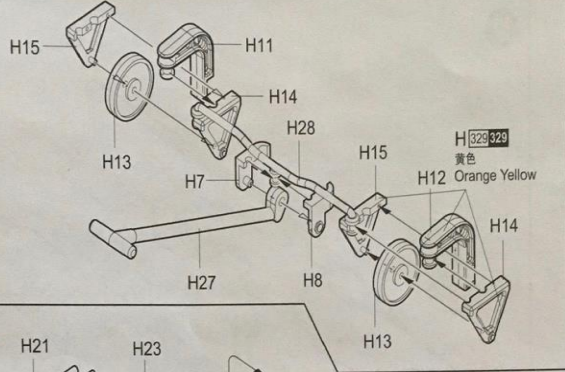
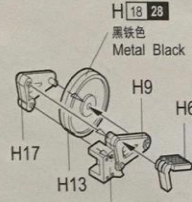
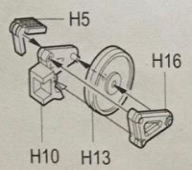
02232

7

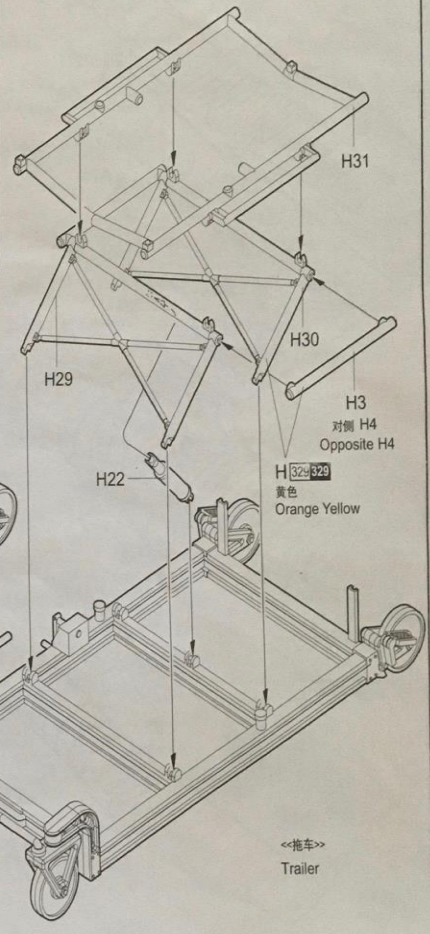


6

8

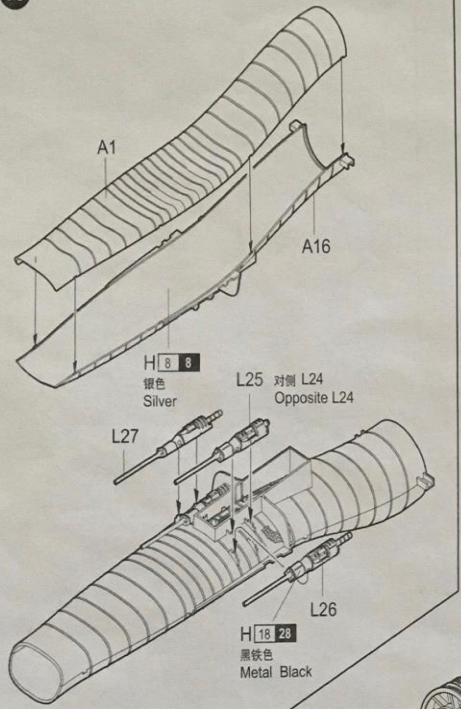


9

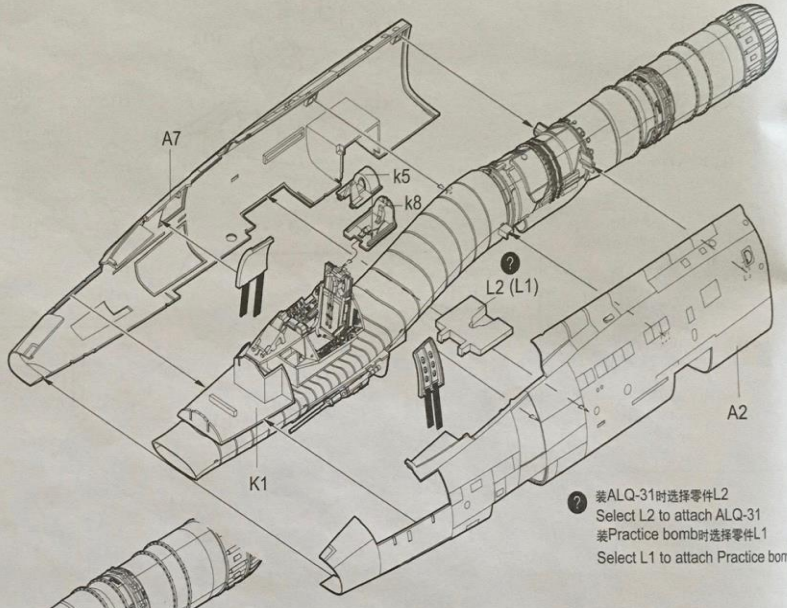


02232

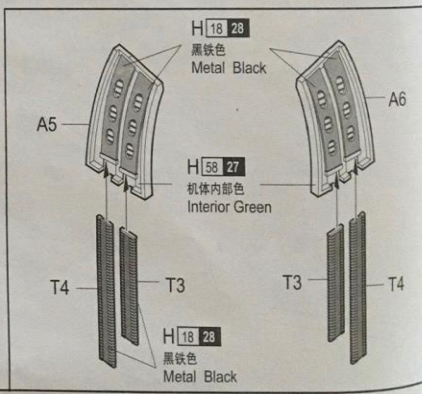
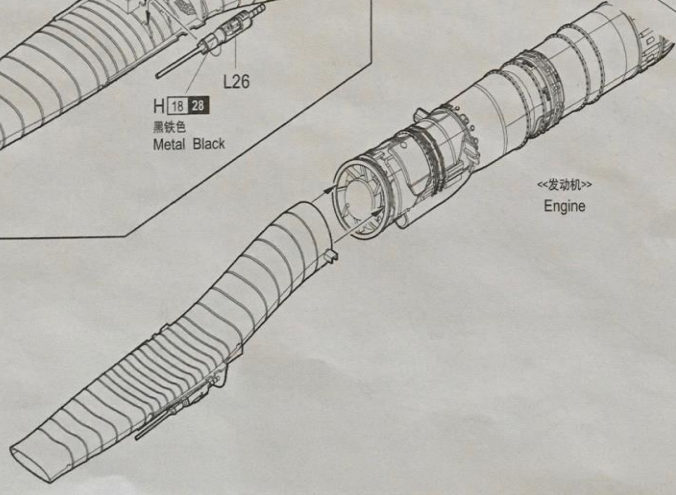
10



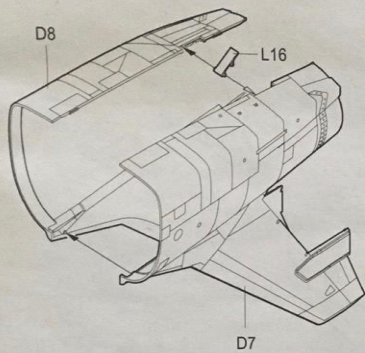
11



⑦ 装ALQ-31时选择零件L2
Select L2 to attach ALQ-31
装Practice bomb时选择零件L1
Select L1 to attach Practice bomb



12

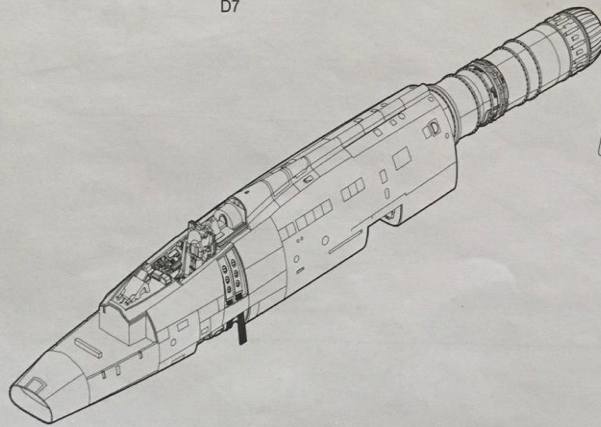


选择后机身与前机身连接与否
Attach to fore fuselage or NOT

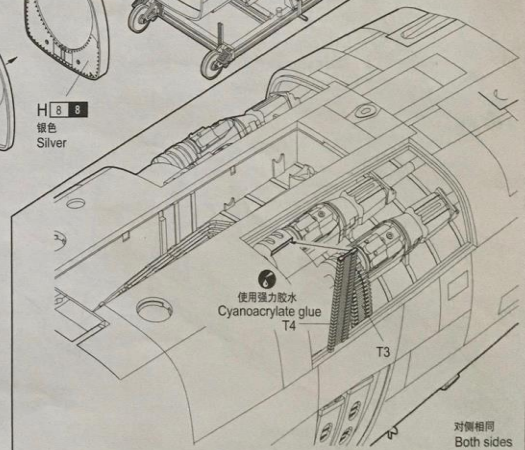
2 选择
Option

L18

拖车
Trailer



H 8 8
银色
Silver



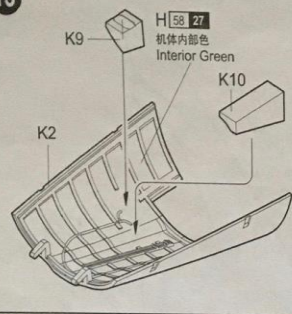
1 使用强力胶水
Cyanoacrylate glue

两侧相同
Both sides

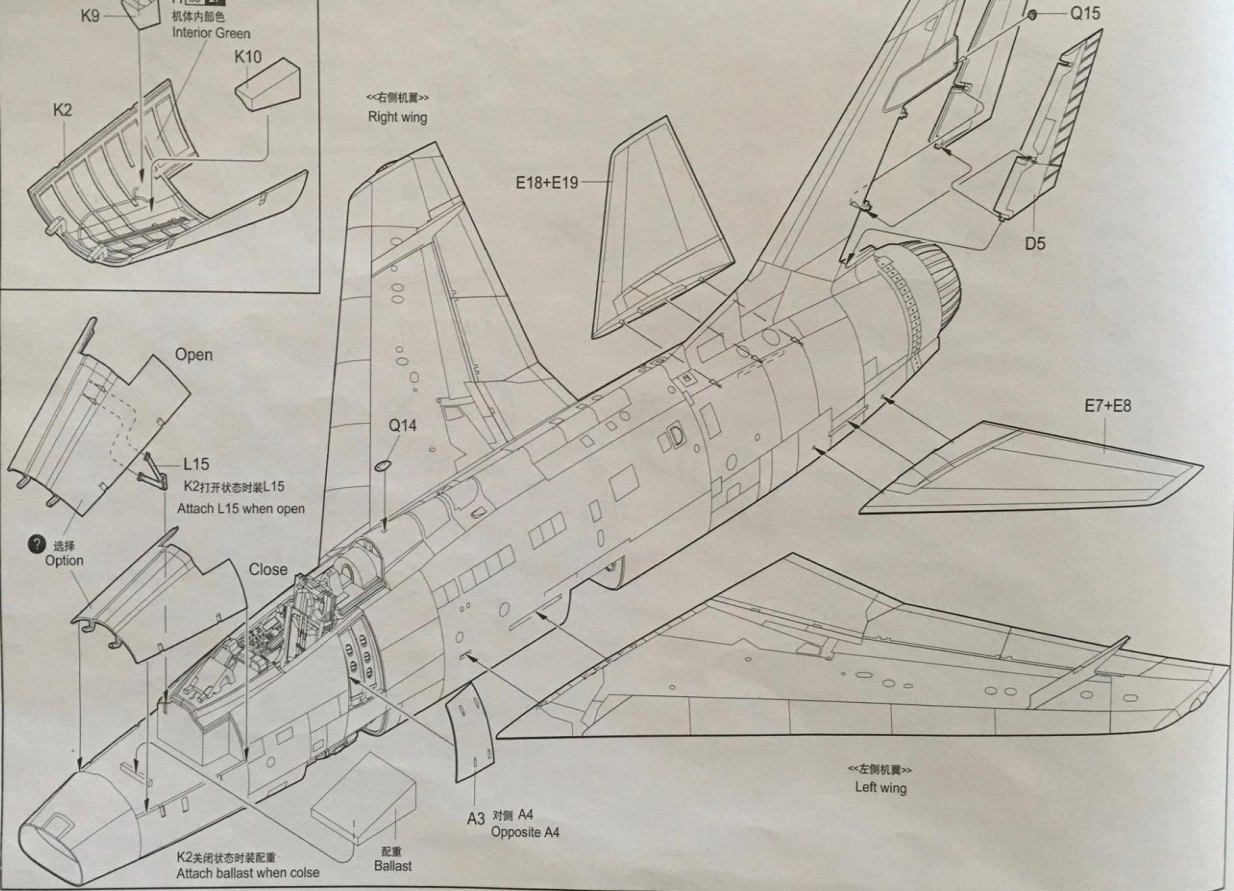
02232

9

13

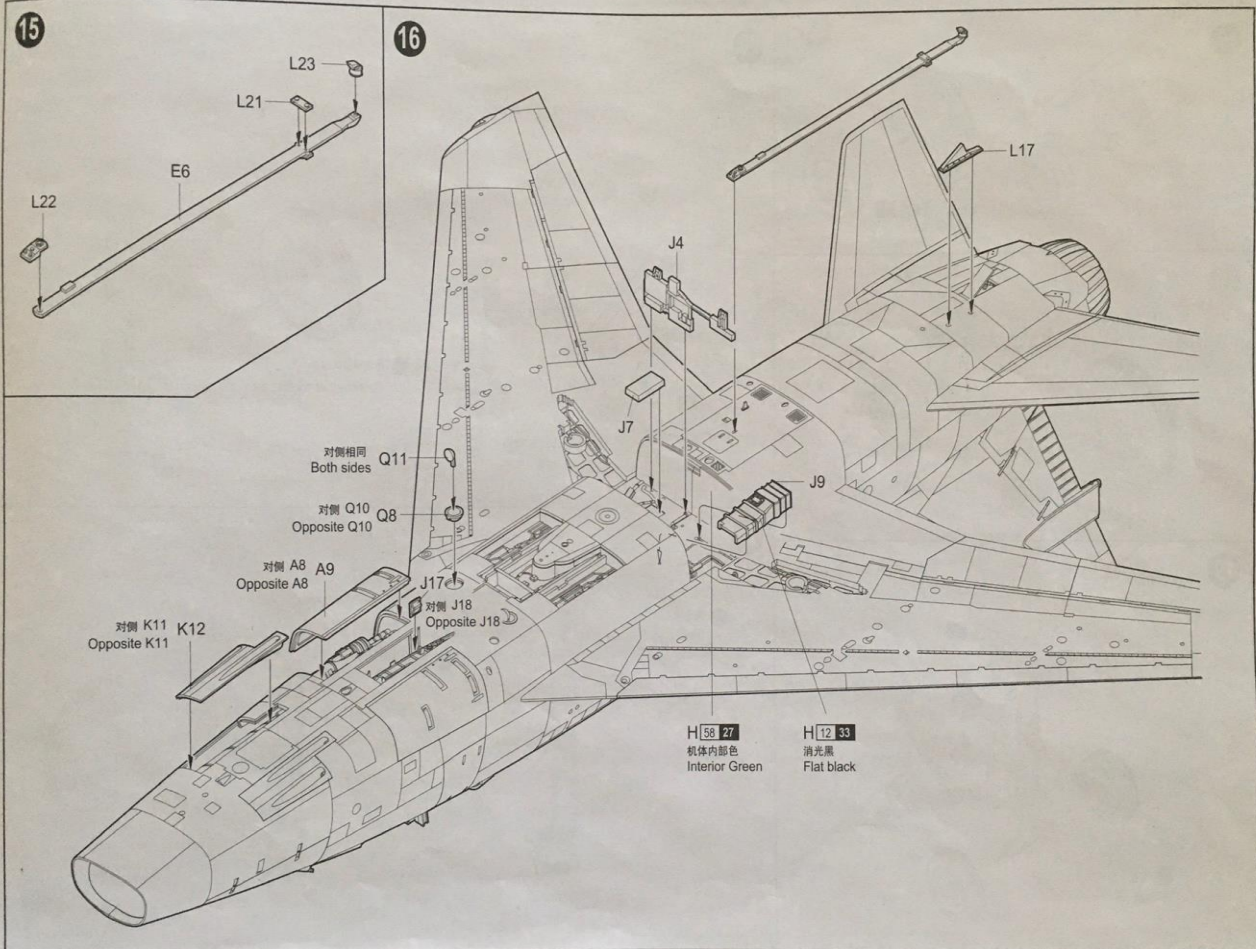


14



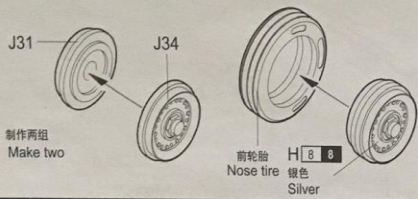
02232

10

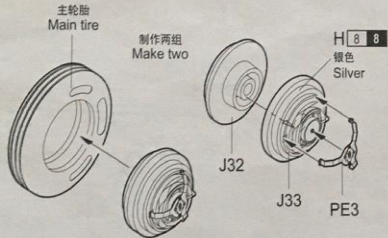


02232

17

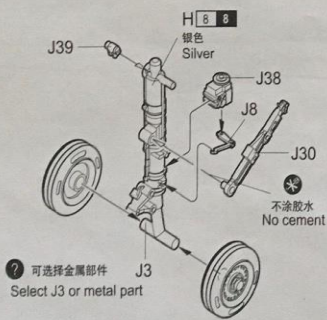


18



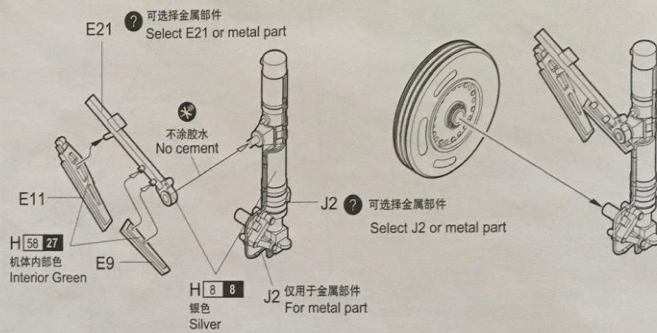
19

<<前起落架>>
Nose undercarriage



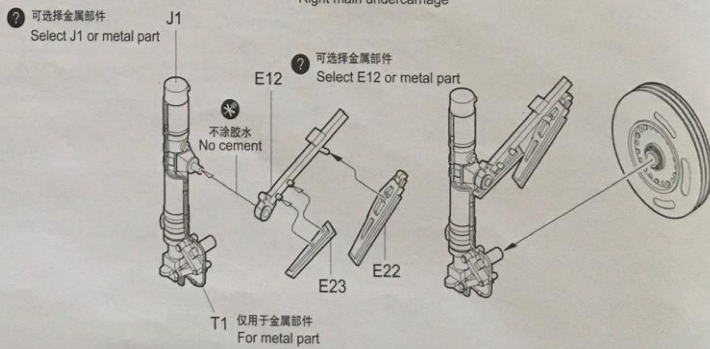
20

<<左侧主起落架>>
Left main undercarriage

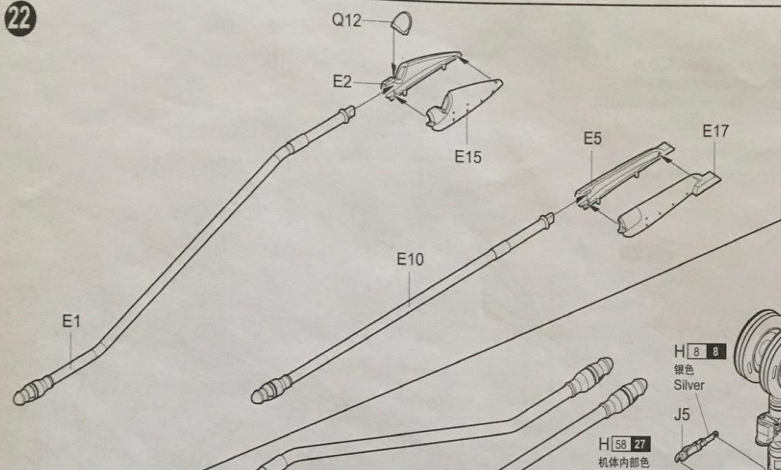


21

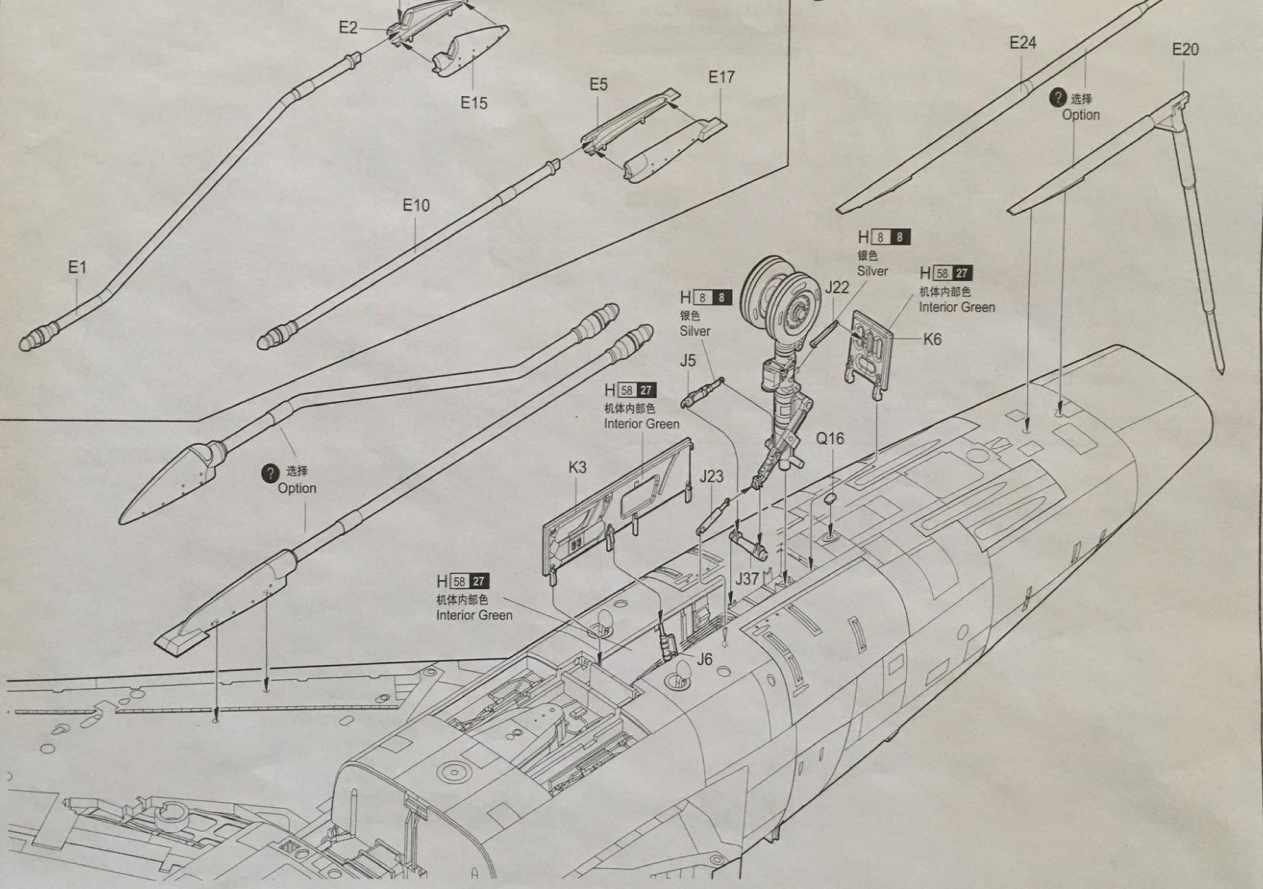
<<右侧主起落架>>
Right main undercarriage



22



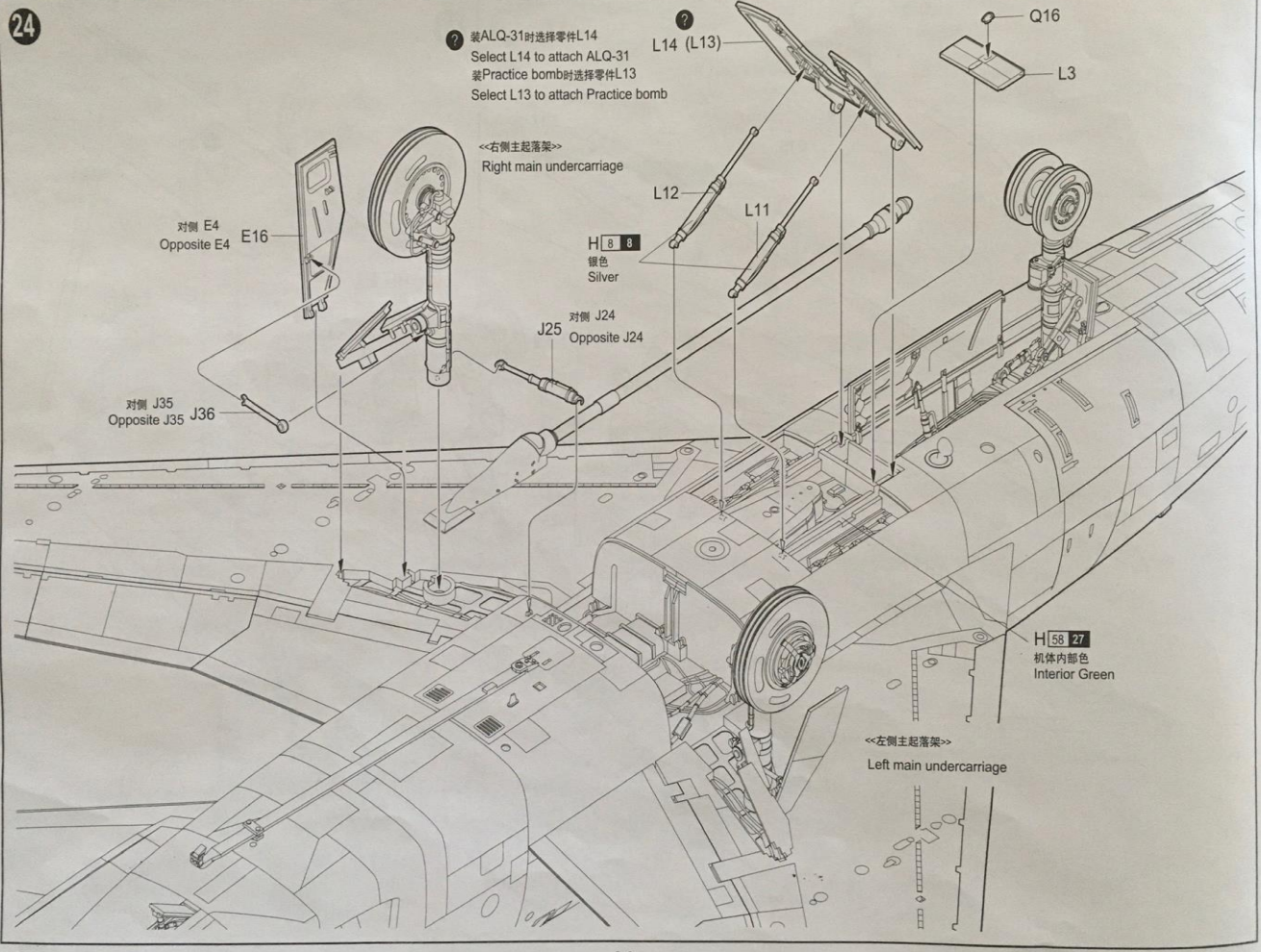
23



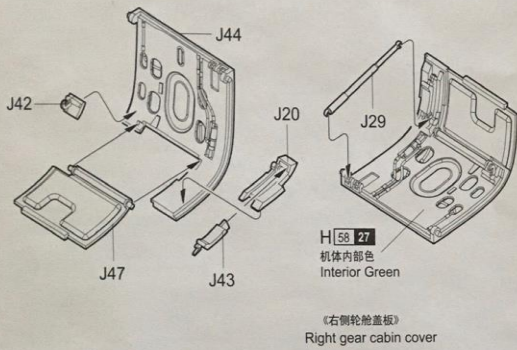
02232

13

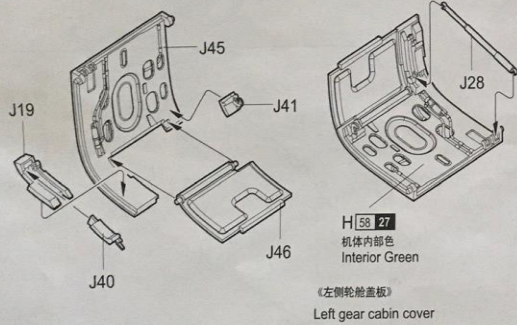
? 装ALQ-31时选择零件L14
 Select L14 to attach ALQ-31
 装Practice bomb时选择零件L13
 Select L13 to attach Practice bomb



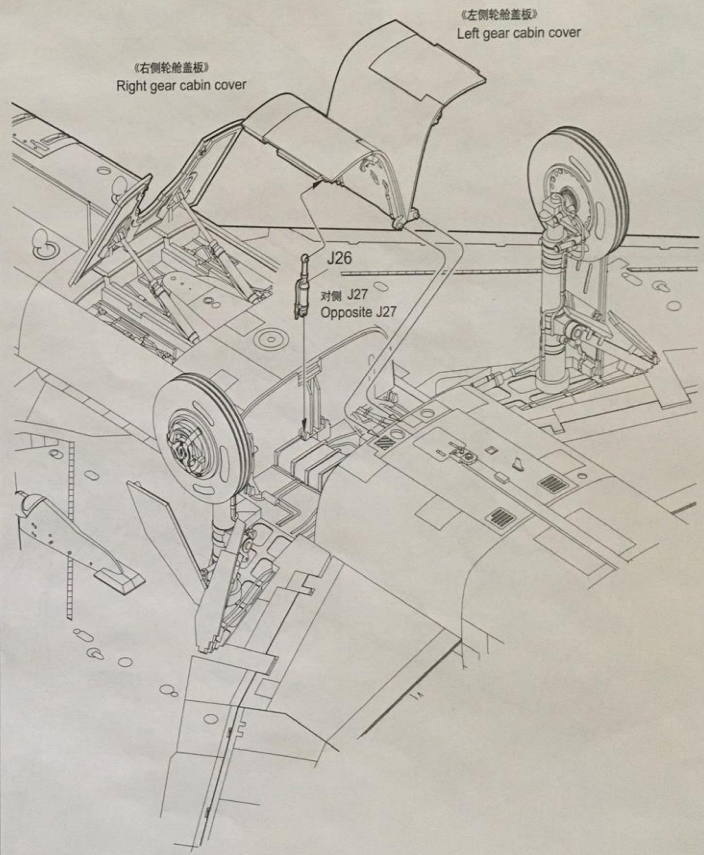
25



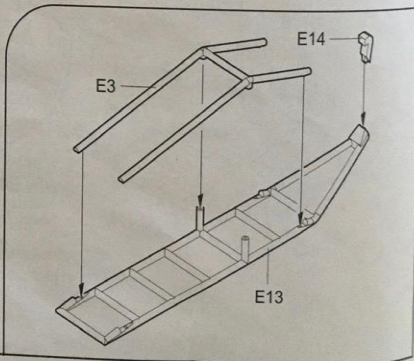
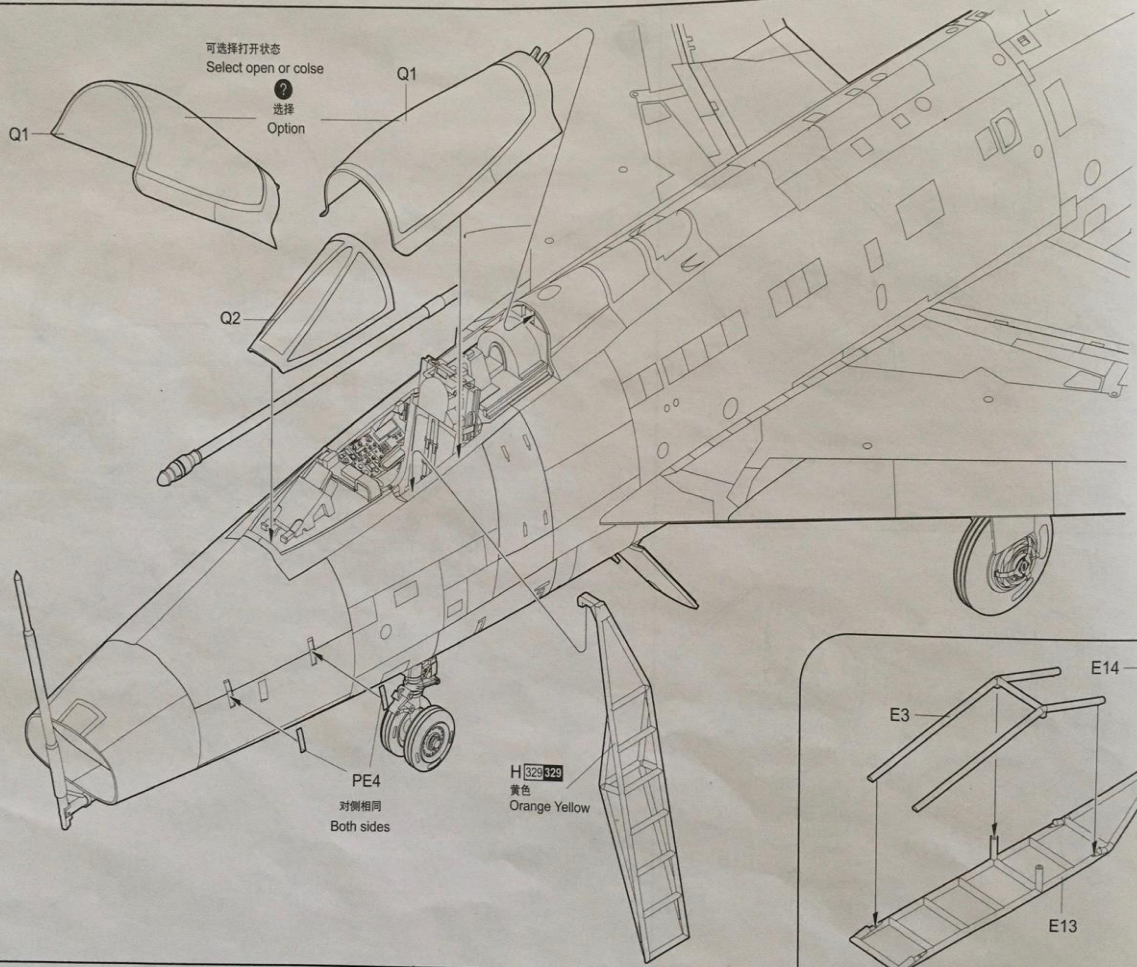
26



27

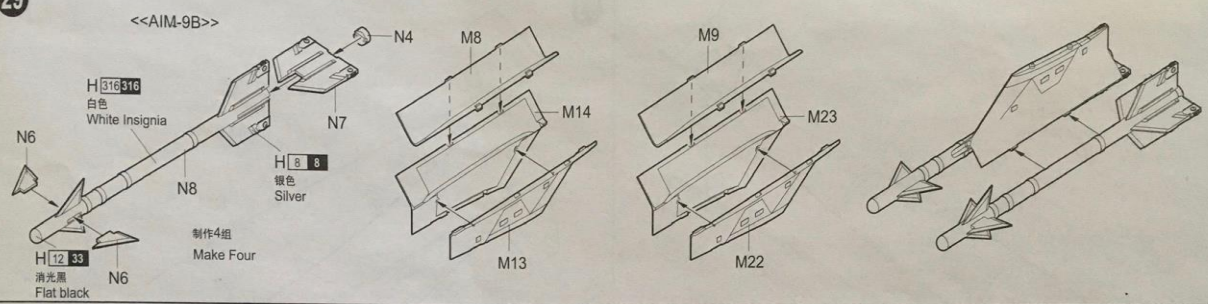


28

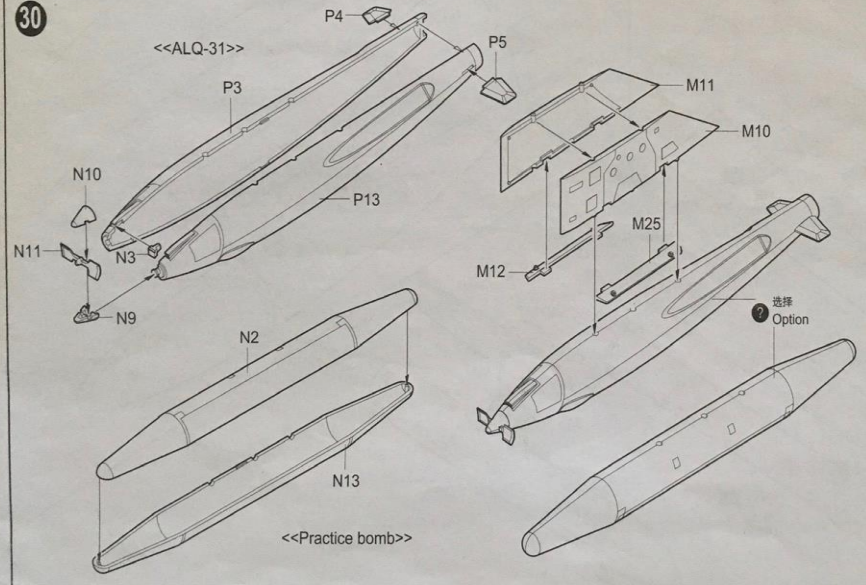


02232

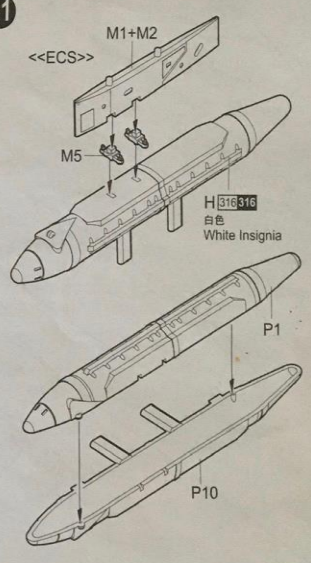
29



30

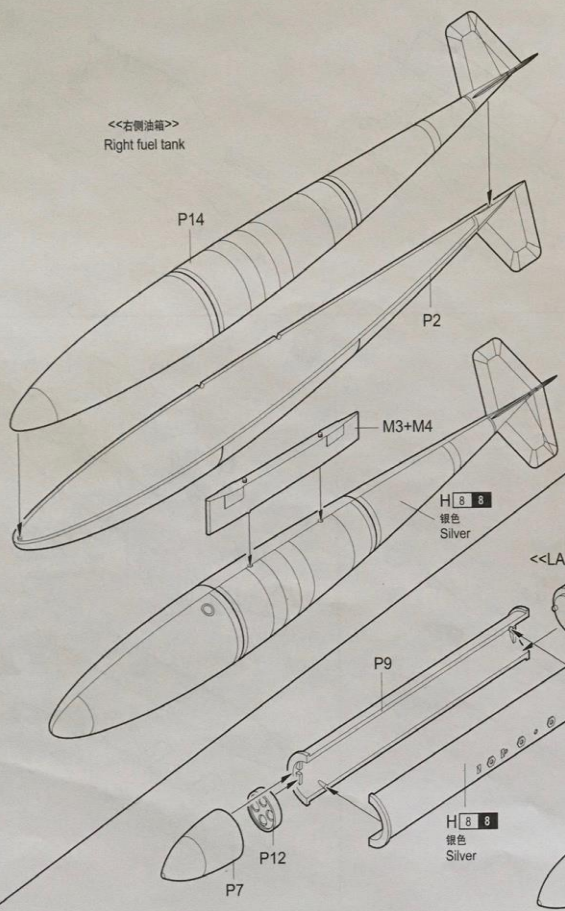


31



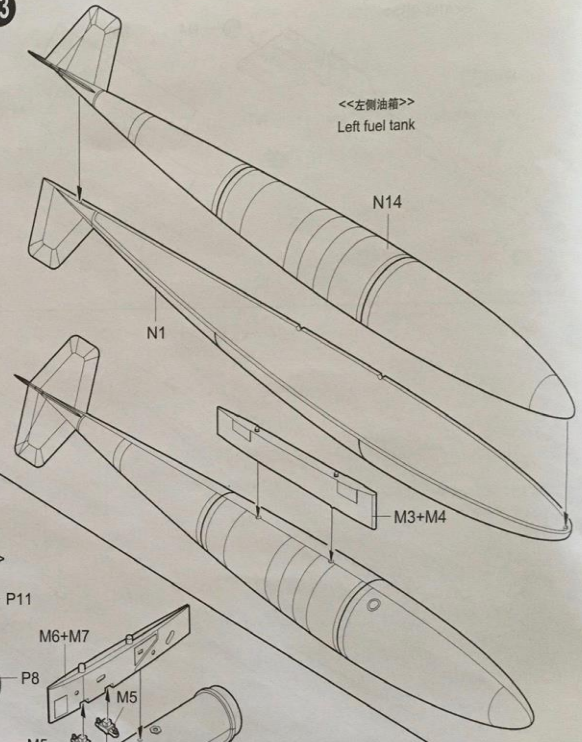
32

<<右侧油箱>>
Right fuel tank



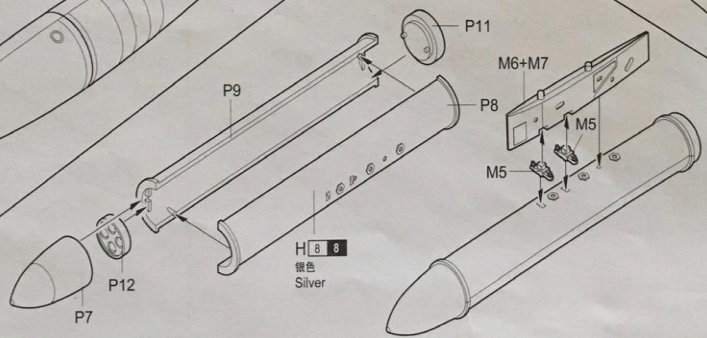
33

<<左侧油箱>>
Left fuel tank



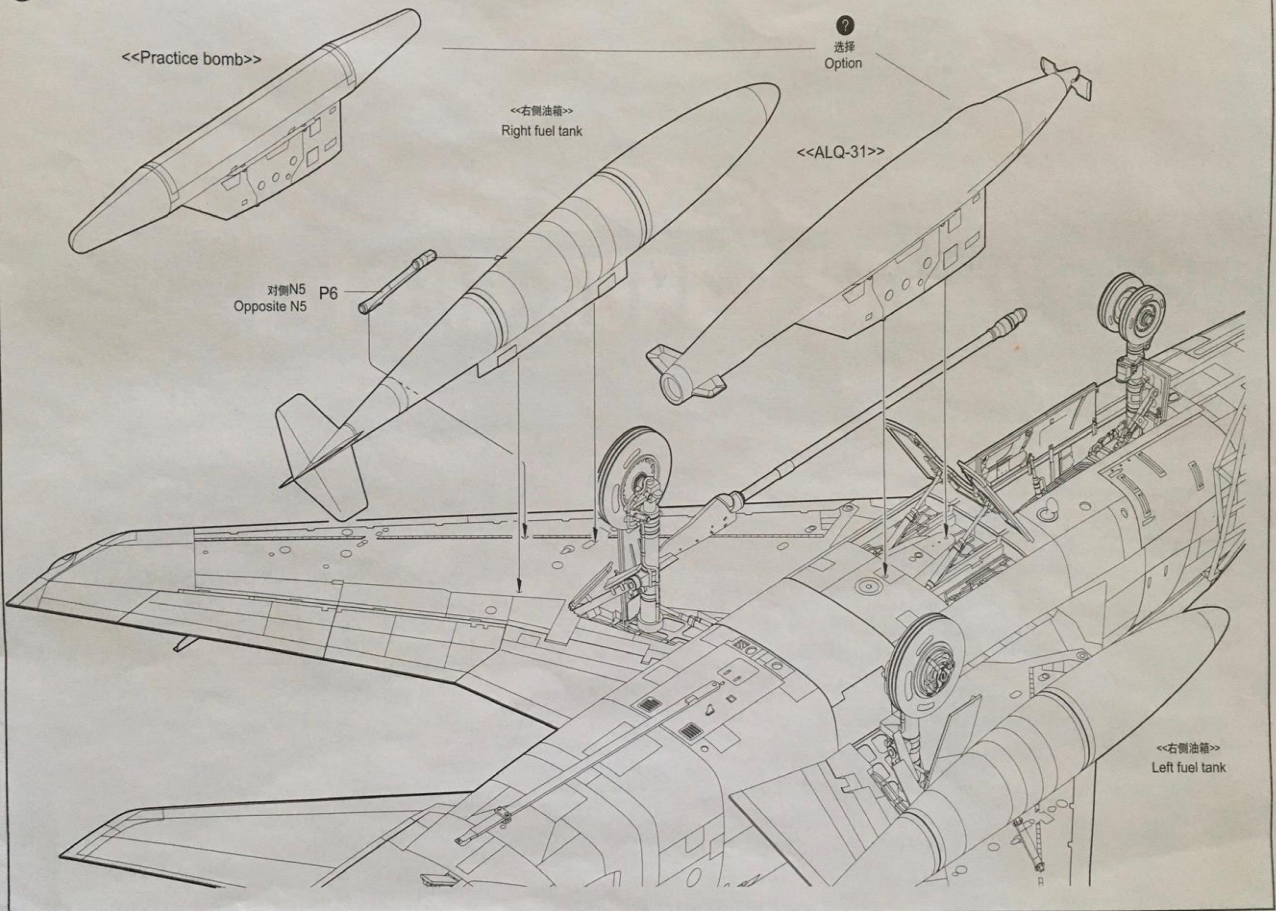
34

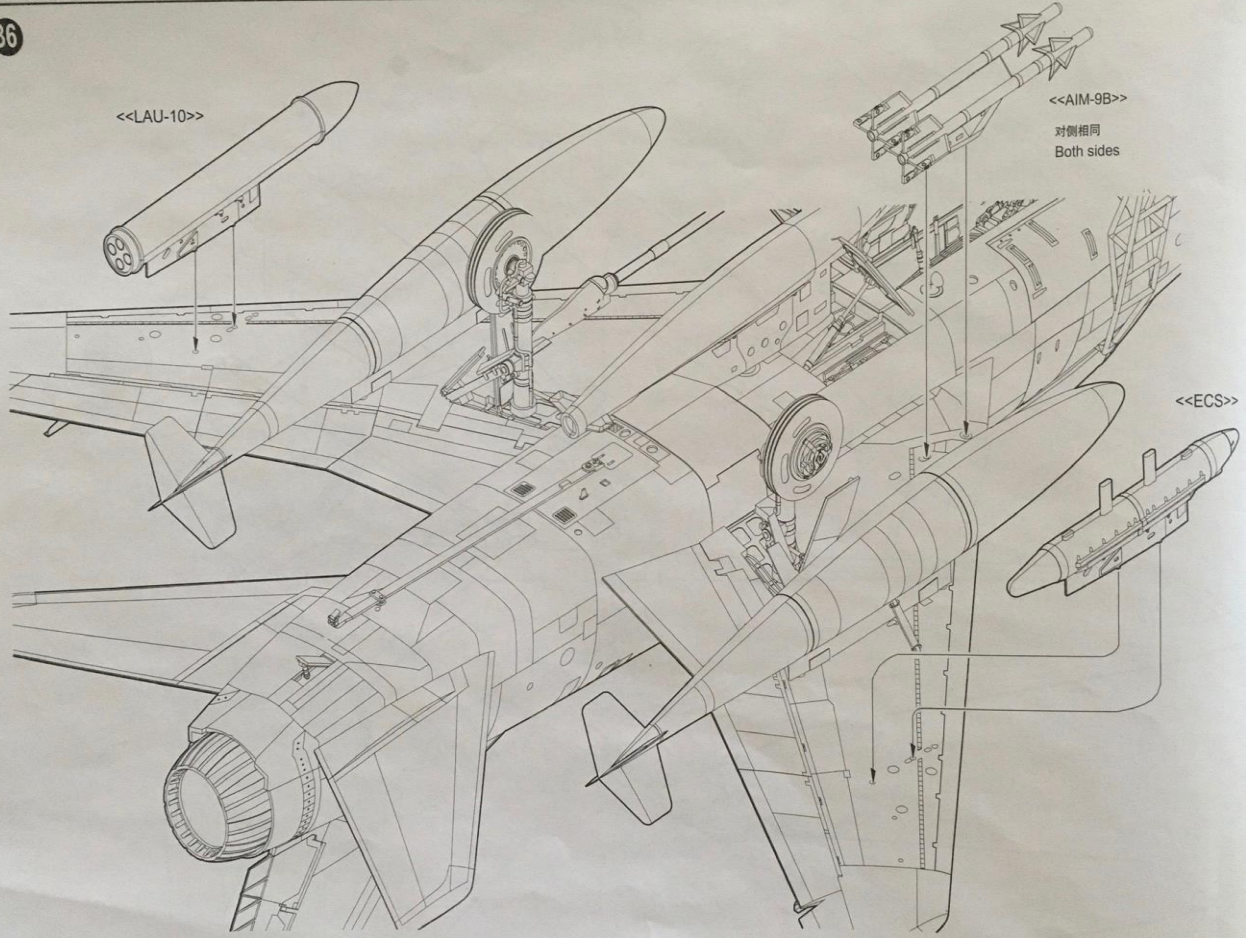
<<LAU-10>>



02232

18

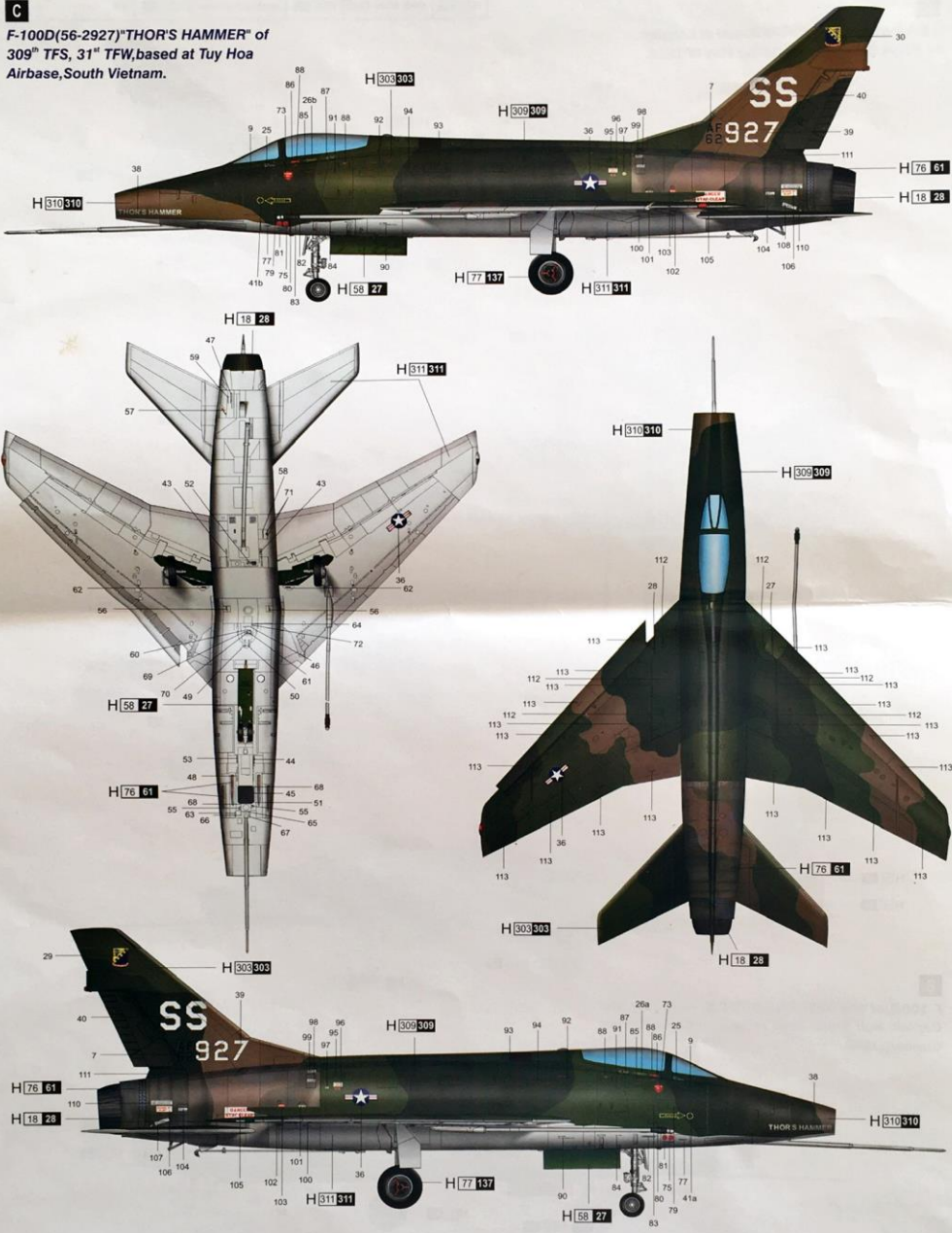




涂装同标贴指示
Painting & Marking guide

C

F-100D(56-2927)"THOR'S HAMMER" of
309th TFS, 31st TFW, based at Tuy Hoa
Airbase, South Vietnam.



H 310 310 AQUEOUS HOBBY COLOR H 18 28 Mr. COLOR

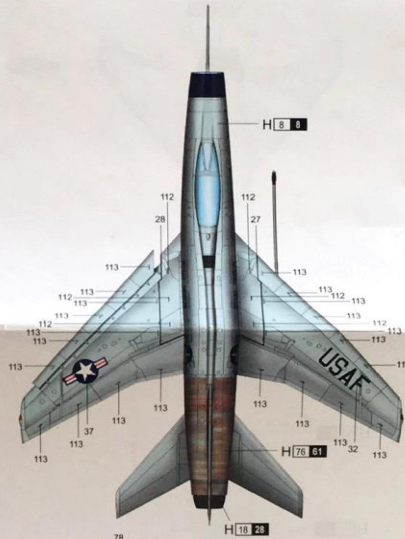
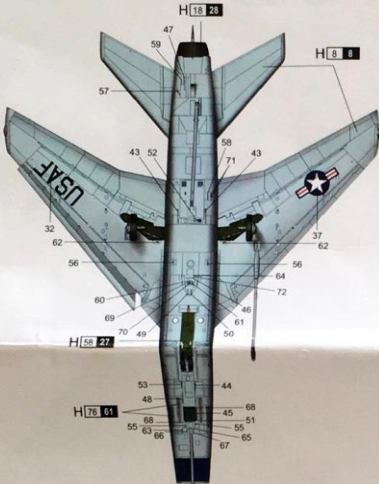
使用 MR.HOBBY 涂料 Mr. Color Used

02232 1/32 F-100D SUPER SABRE

涂装同标贴指示
Painting & Marking guide

H[8] 8	银色 Silver	H[76] 61	烧铁色 Burnt Iron	H[503] 303	墨绿色 Forest Green
H[58] 27	机体内颜色 Interior Green	H[77] 137	胎黑色 Tire Black	H[570] 310	土棕色 Brown
H[18] 28	黑铁色 Metal Black	H[503] 303	浅绿色 Light Green	H[571] 311	灰色 Gray

A
U.S.A.F 511thFBS,405thFBW,Based at Langley
Air Force Base,Virginia during May of 1959.



B
F-100D,of the 309th FBS,31stFBW, Flown by the
Captain walt Bruce,Base at Tactical Air Command
Gunnery,1958.



H[] AQUEOUS HOBBY COLOR Mr. COLOR

使用 MR.HOBBY 涂料 Mr. Color Used