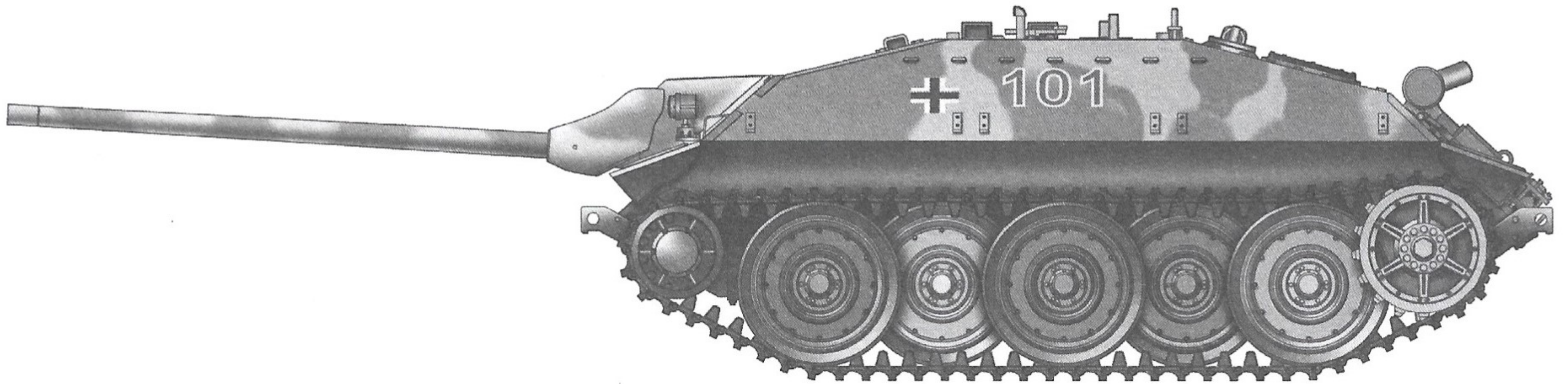


1:35 SCALE

ITEM NO.:00383

German Entwicklungsfahrzeug E 25

德国E25歼击坦克



READ BEFORE ASSEMBLY:

- This kit is not recommended for inexperienced modelers or for children under 14 years of age
- Study and understand these instructions thoroughly before beginning assembly
- When needed, remove photo-etch parts carefully using a modeling knife or photo etch sprue cutter, being careful not to damage or lose small parts.
- Take extra care in handling photo etch parts in order to avoid injury
- Apply instant cement sparingly to photo etch parts where instructed
- Tools recommended(not included in kit):Plastic and instant cements,sprue cutters,long nose pliers,,modeling knife, small files, tweezers, pin vise & scissors. Soft cloth and sandpaper will also assist in construction
- Glue and paint are not included in the kit. Use plastic cement and hobby paints only. Color guide for purchasing paint is included in the kit.
- Keep out of reach of small children. They must not be allowed to ingest small parts or handle plastic bags in any way.

装配之前仔细阅读

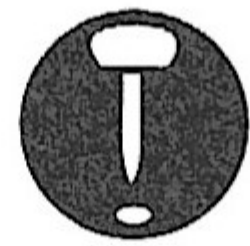
- 小心用模型锉刀锉平所有零件表面的注射浇口。
- 小心用刀片切下蚀刻片零件，不要遗失小零件。
- 用强力快干胶水粘合蚀刻片零件和金属轴。过量的快干胶水使用可能导致可动零件会粘住，小心涂胶。
- 取蚀刻片时应特别注意安全，防止利边划伤手指。
- 某些零件表面需贴上水贴纸，请选择在装配的同时进行。
- 推荐模型工具(自备)：胶水，水口剪刀，长咀钳，刀片，锉刀，镊子，钳，钻，剪刀，瞬间快干胶。
- 软布同砂纸同时也应该是必备工具。
- 请使用塑料胶水和油漆，模型内不含。
- 谨防小孩吸吮塑料零件，或者将塑料袋套在头上，制作时应将套材远离小孩接触。
- 本产品不适合14岁以下没有经验的模型爱好者。



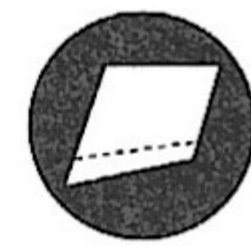
cyanoacrylate glue
使用强力胶



weight
配重



make hole
钻孔



cut / remove
切除



bend
弯曲



file / sand
锉平



option
选择



no cement
不涂胶水



decal
贴纸

水贴纸的使用:

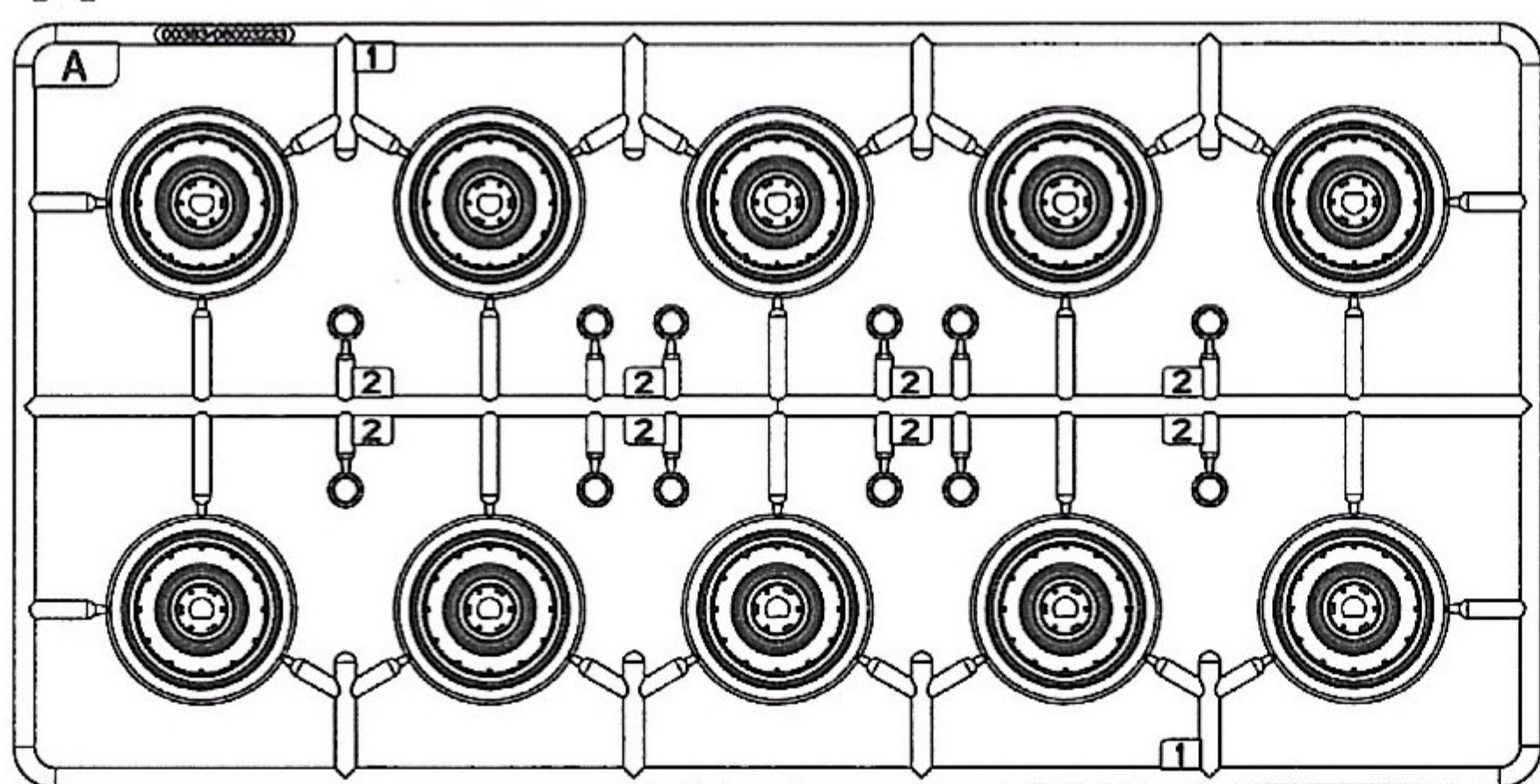
1. 从水贴上剪下印花;
2. 将印花放入温水中浸10秒，然后放在干净布上。
3. 拿着印花纸板将印花移到模型上;
4. 手指蘸水将印花移到适当的位置;
5. 用软布轻压印花直至水干，气泡消失。

DECAL APPLICATION

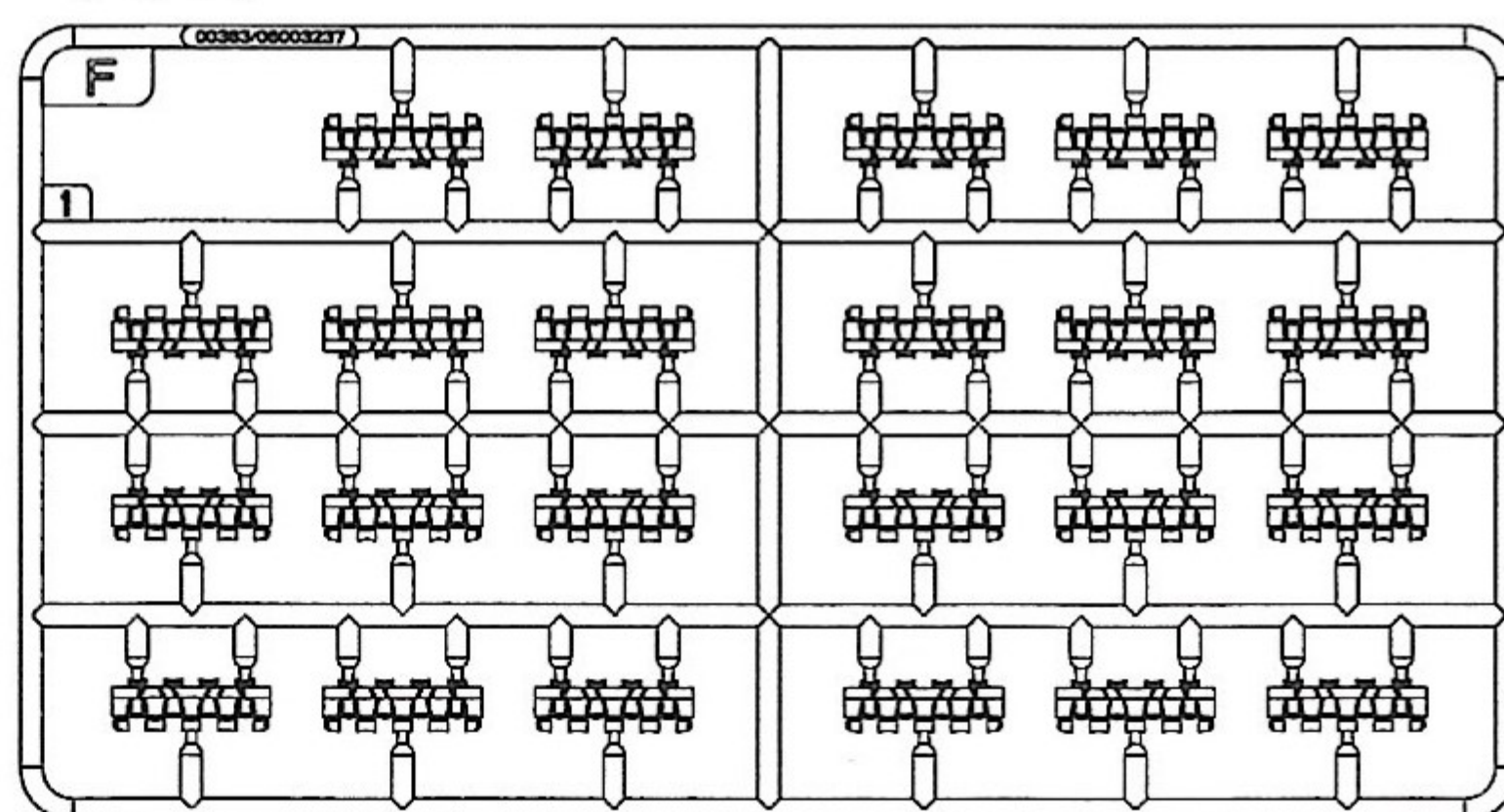
1. Cut off decal from sheet.
2. Dip the decal in tepid water 40°C for about 10 sec. and place on a clean cloth.
3. Hold the backing sheet edge and slide decal onto the model.
4. Move decal into position by wetting decal with finger.
5. Press decal gently down with a soft cloth until excess water and air bubbles are gone.
6. Allow decal to dry completely before handling model.

部品图 Parts

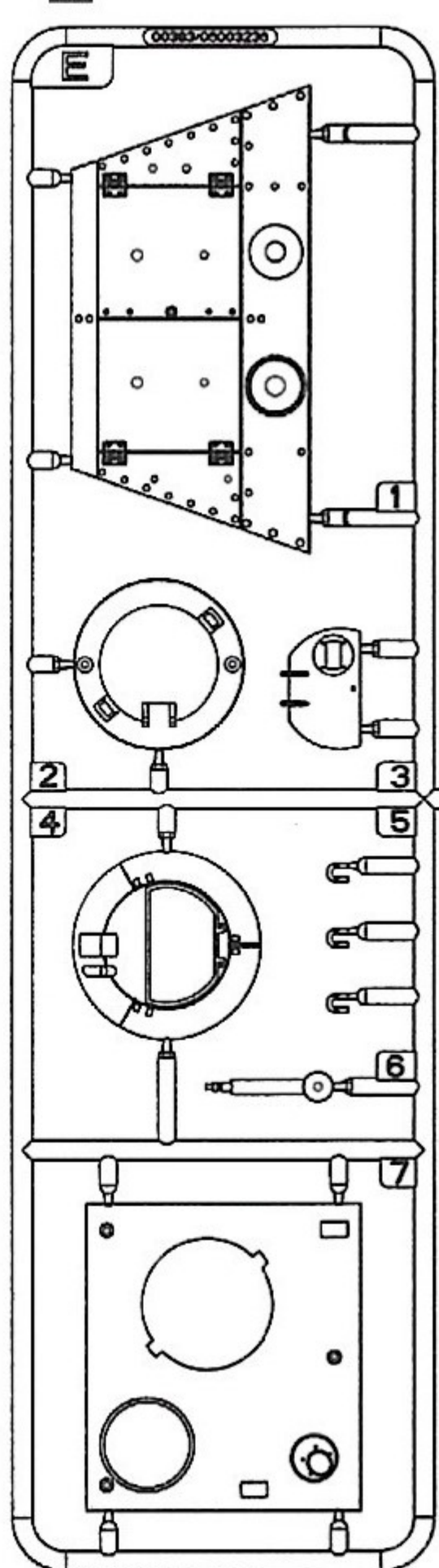
A



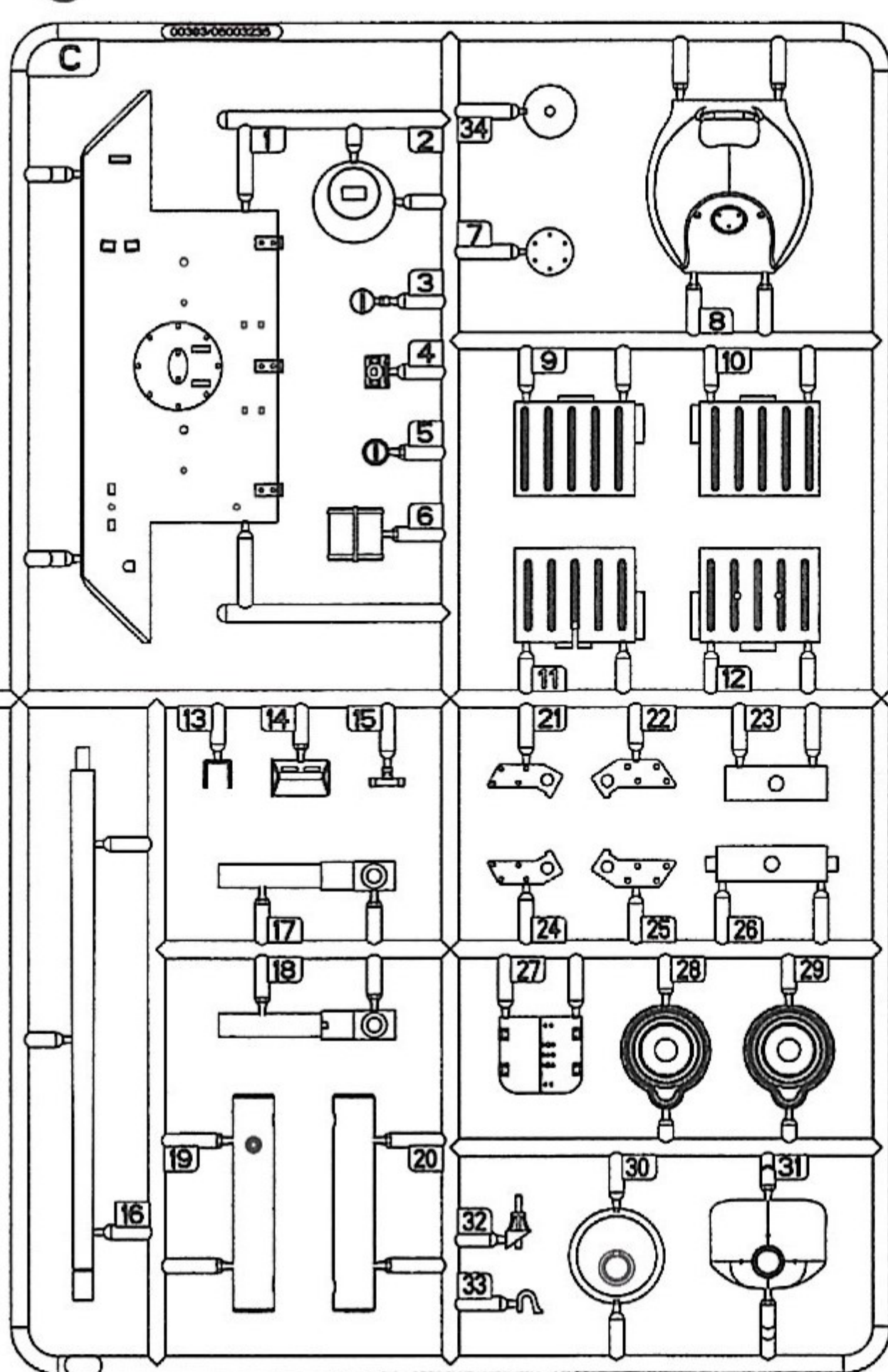
F×7



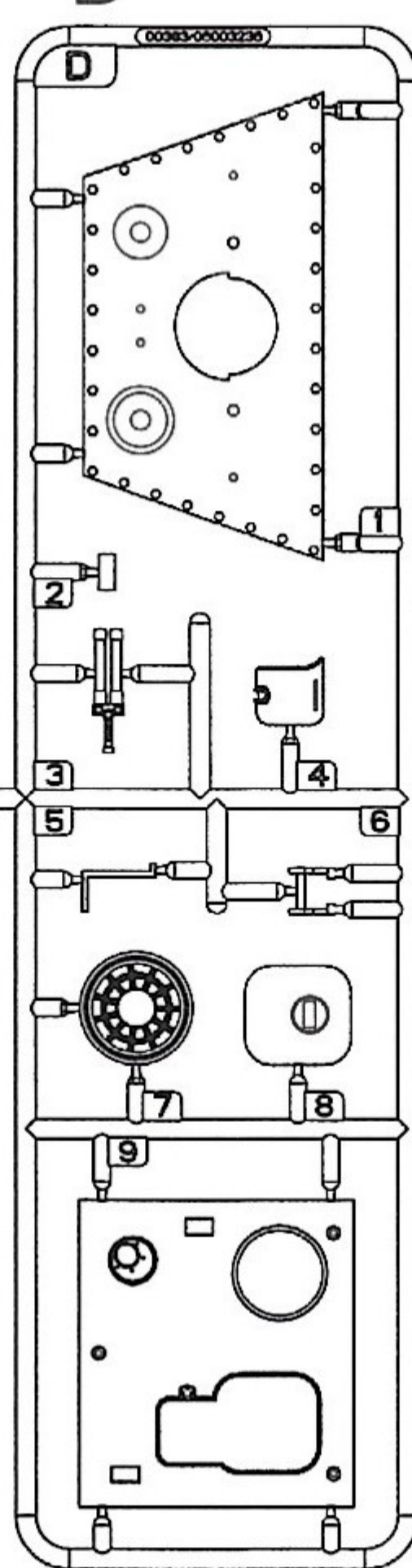
E



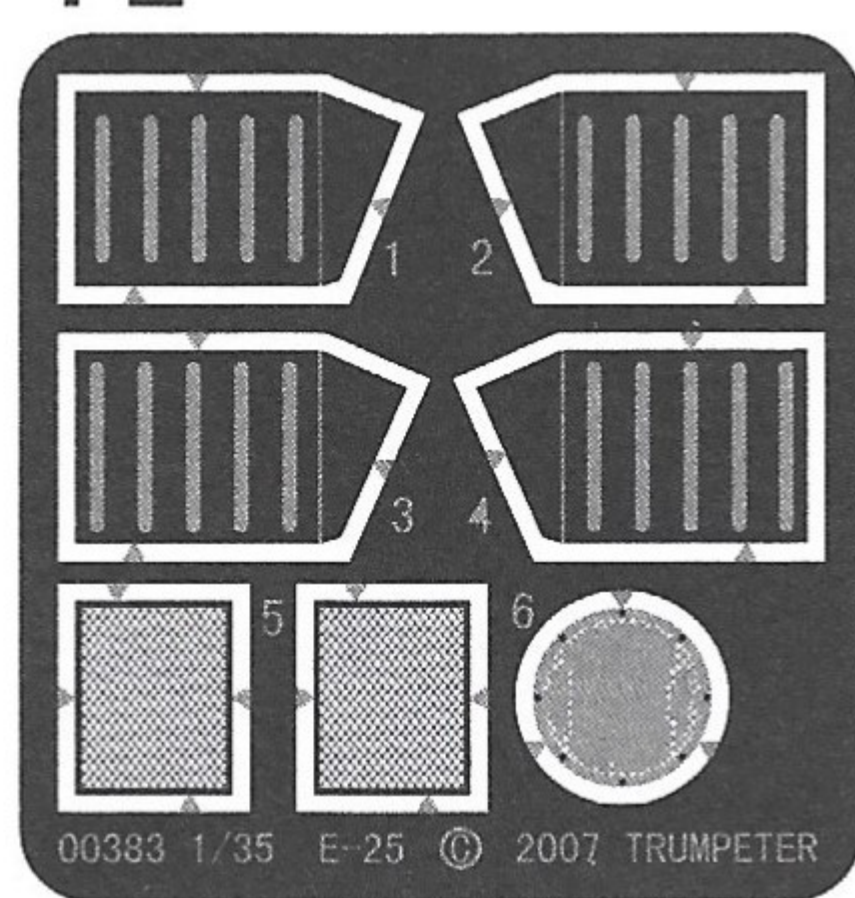
C



D

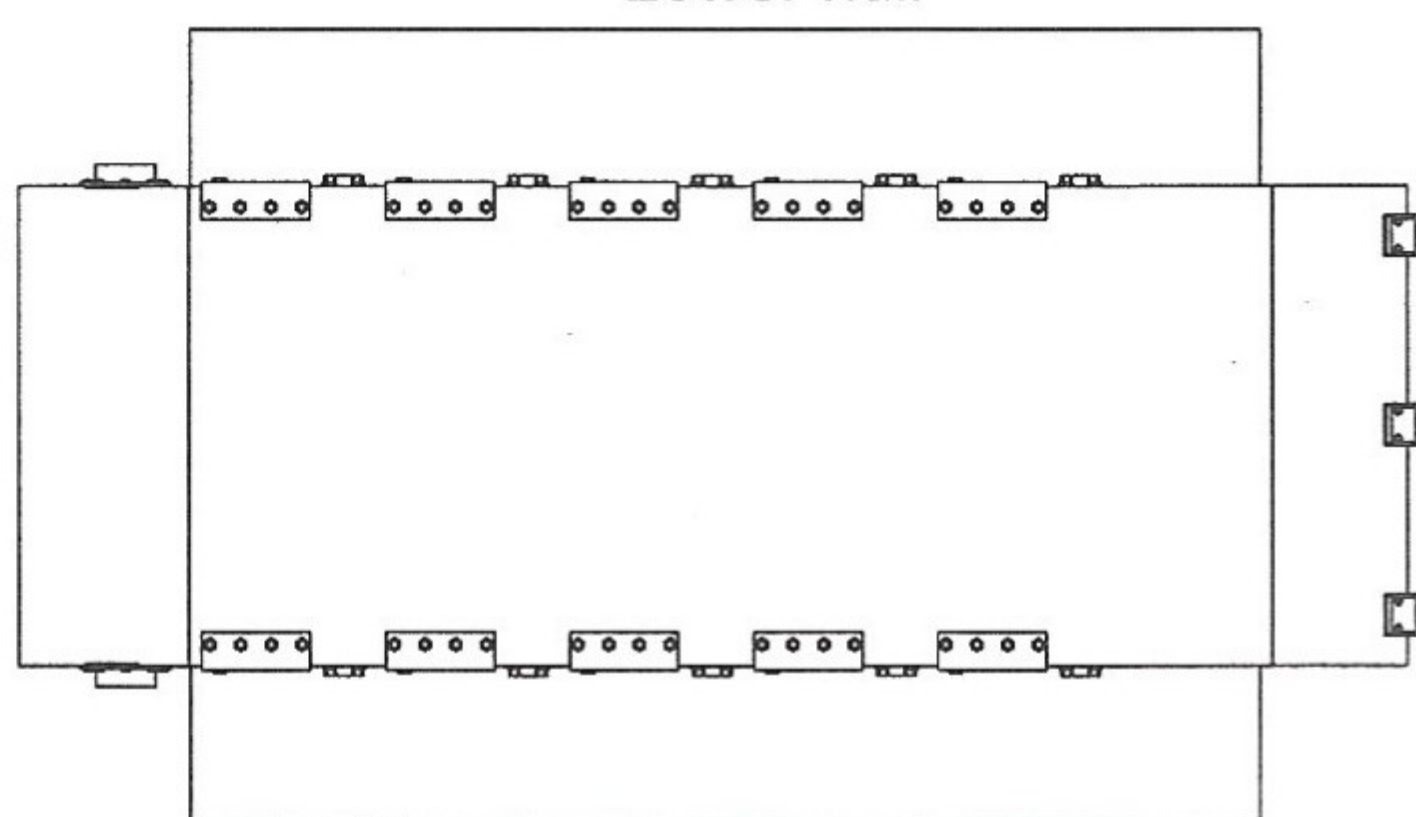
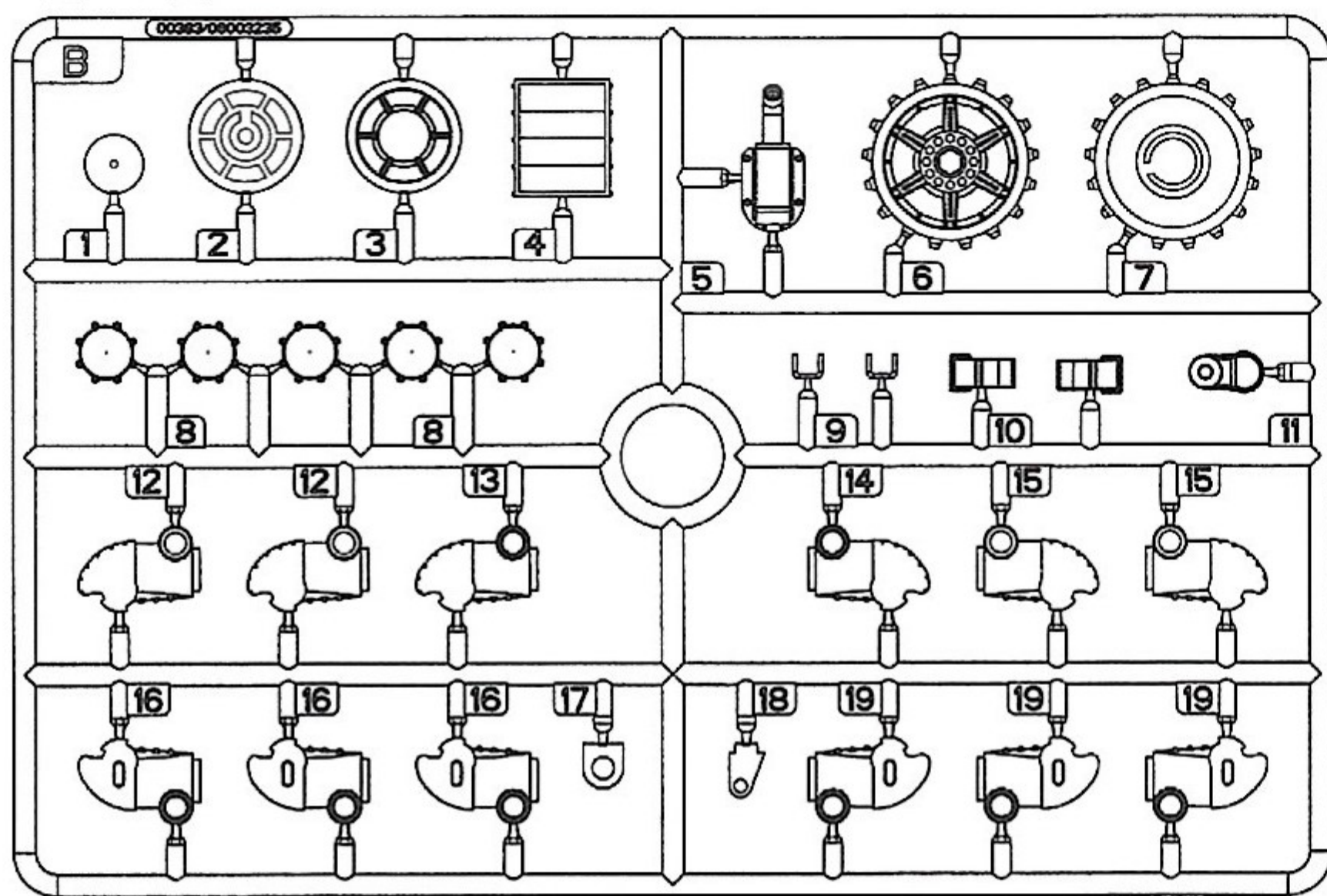


PE <<蚀刻片>>

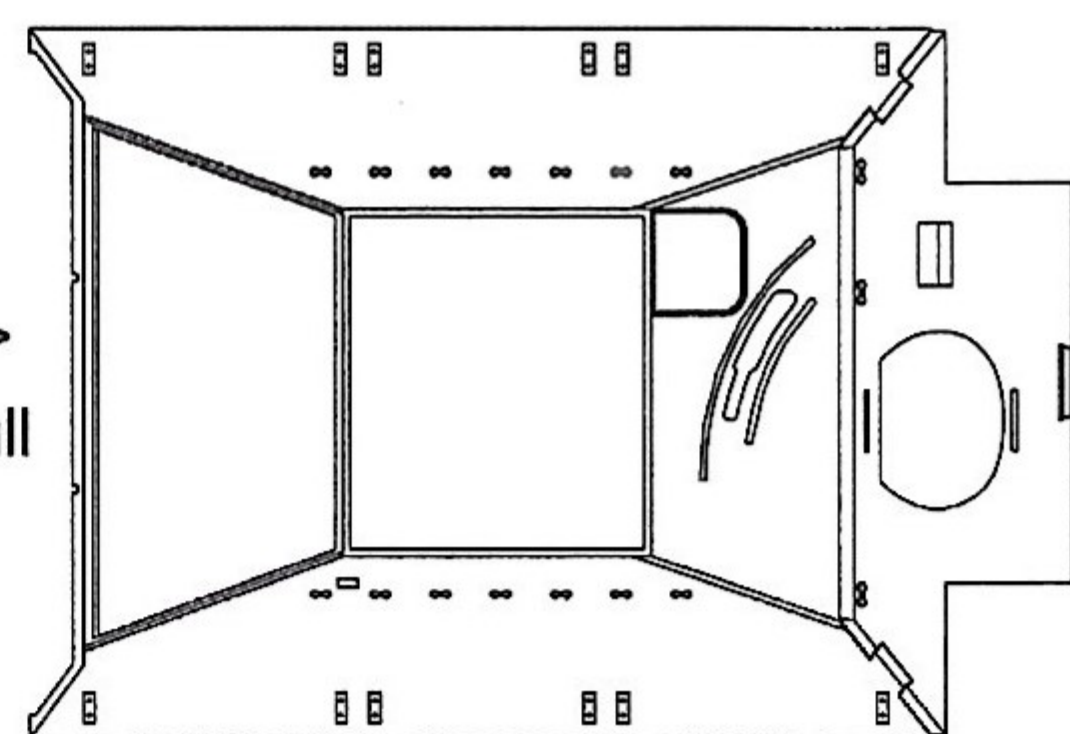


<<车底>>
Lower hull

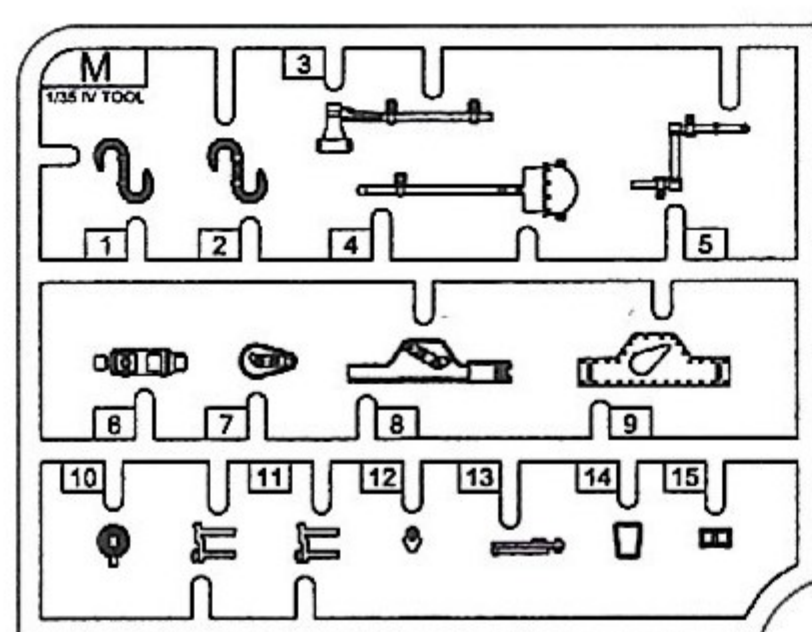
B×2



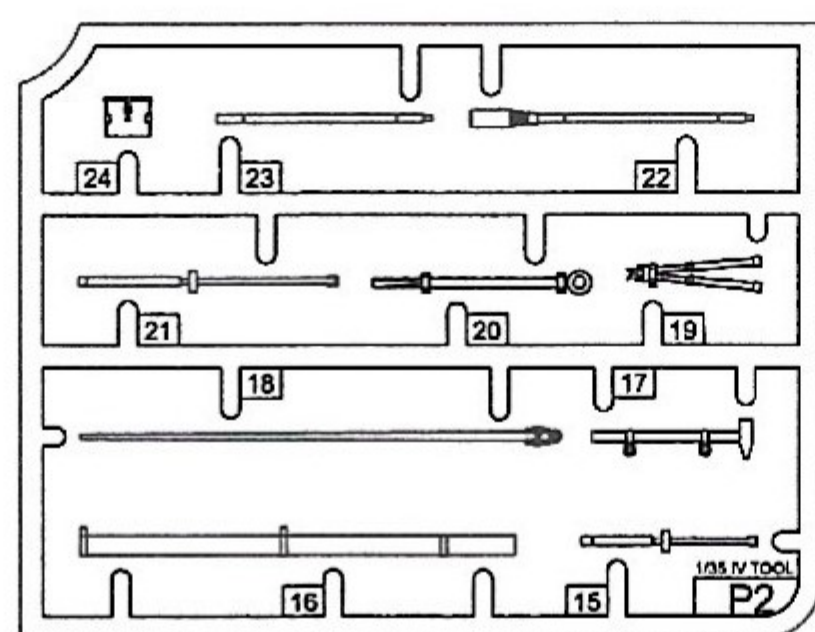
<<车面>>
Upper hull



M



P2



<<水贴>>
Decal

+ 00 1 2 3 4 5 6 7 8 9
1 2
+ 00 1 2 3 4 5 6 7 8 9

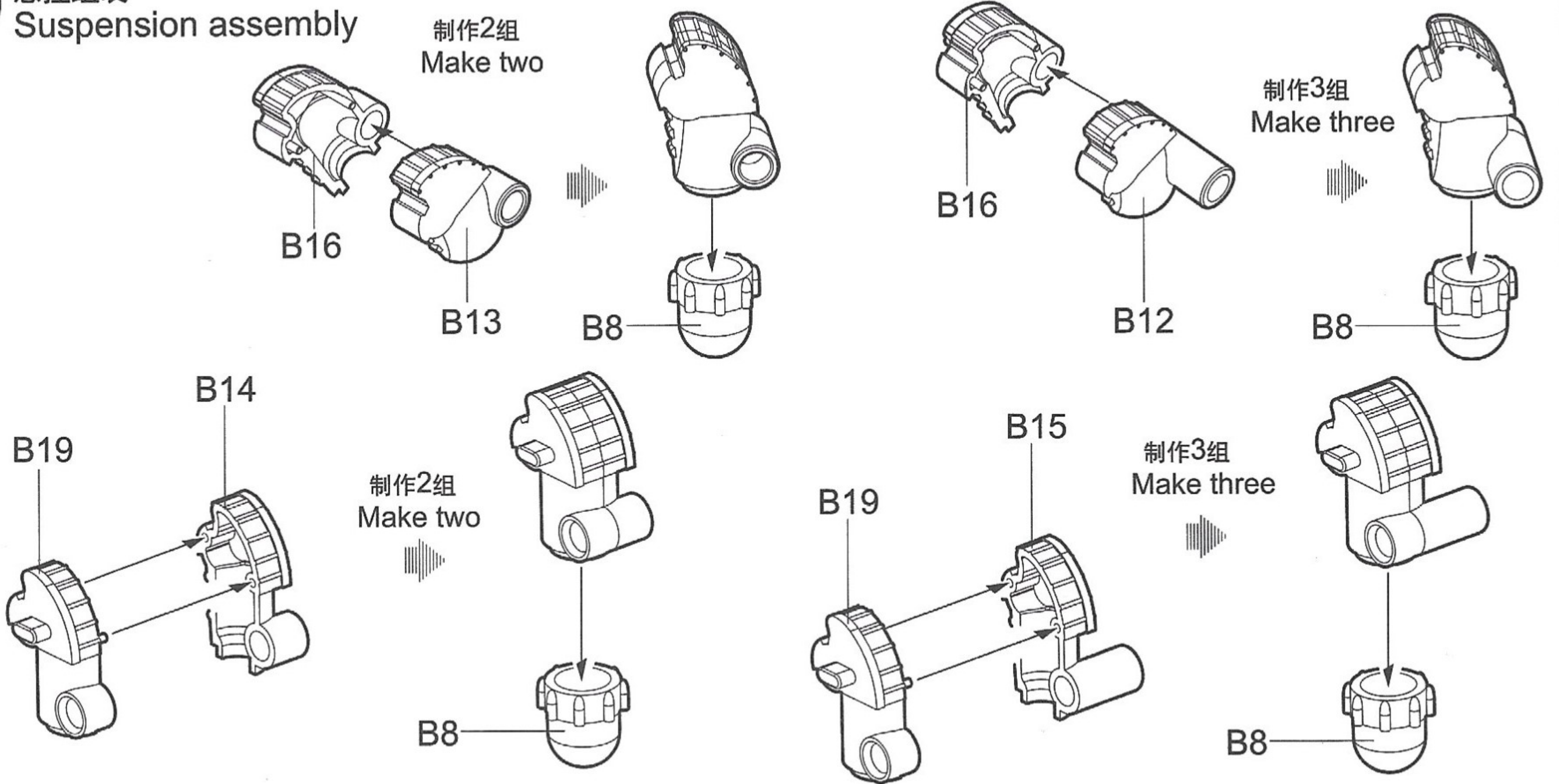
00383 1/35 German Entwicklungsfahrzeug E 25

<<履带>>×2
Track

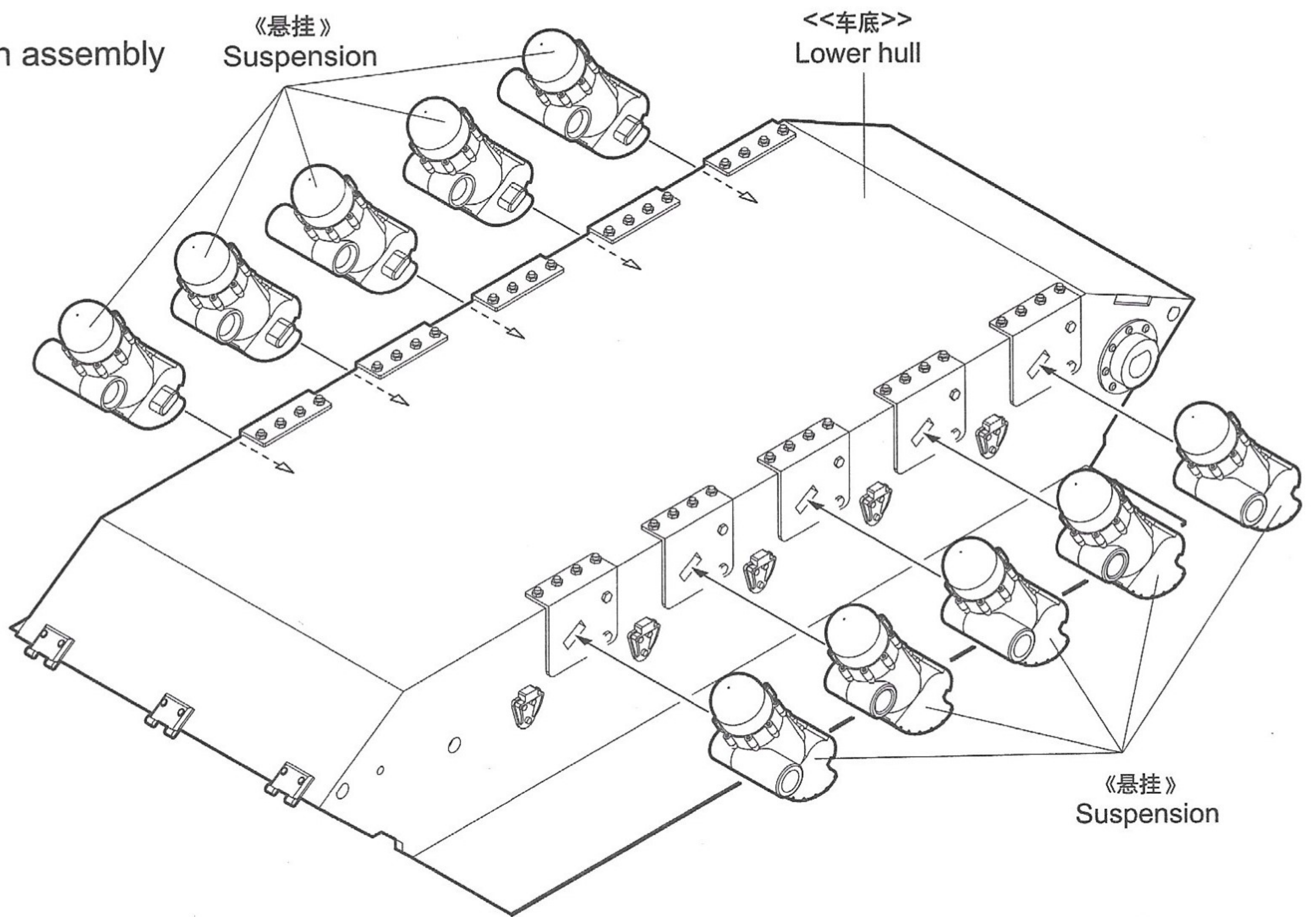


不用部品: M1、M2、M10、P15、P16、P17、P18、P20、P21、P22、P23、P24
Unused parts

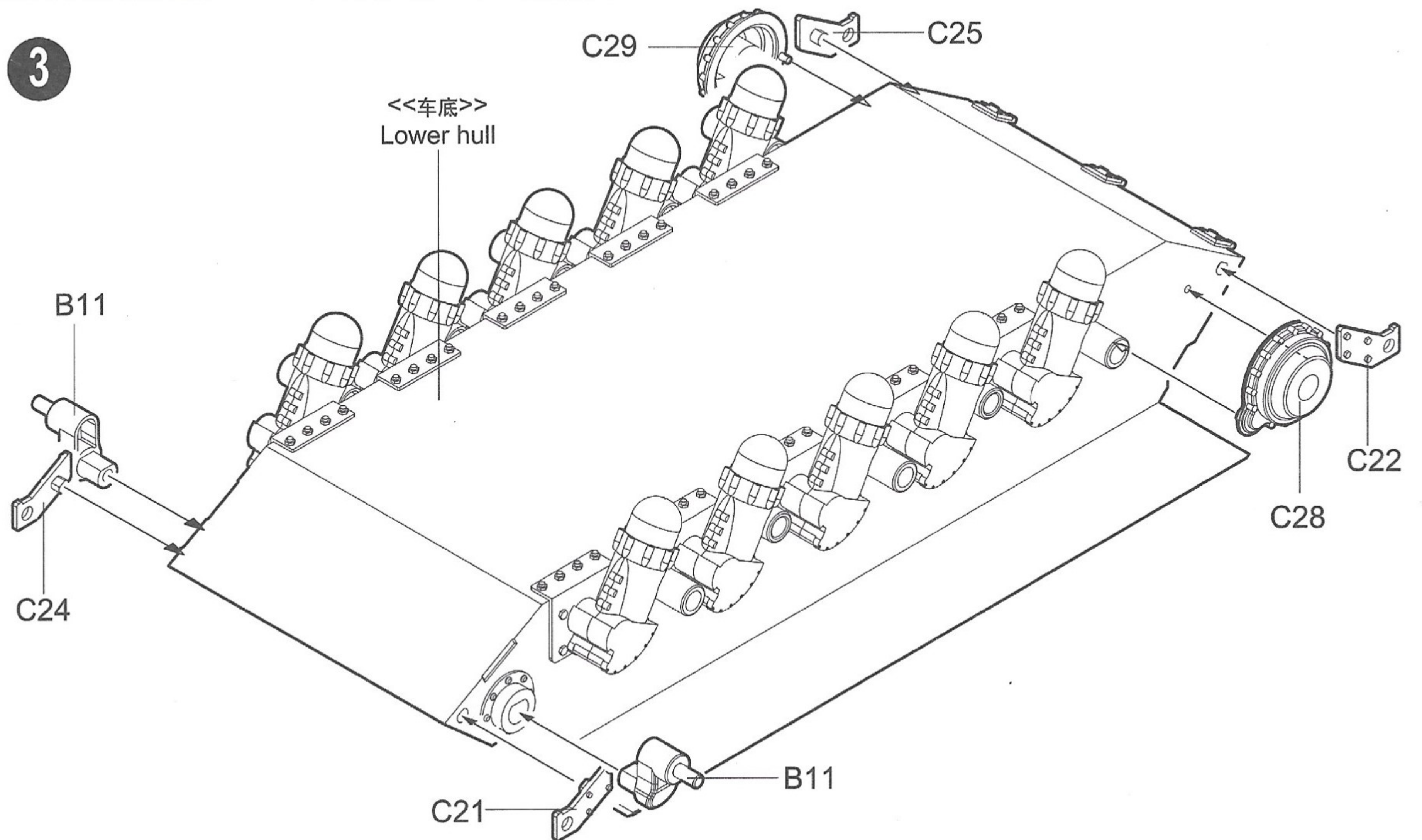
1 悬挂组装
Suspension assembly



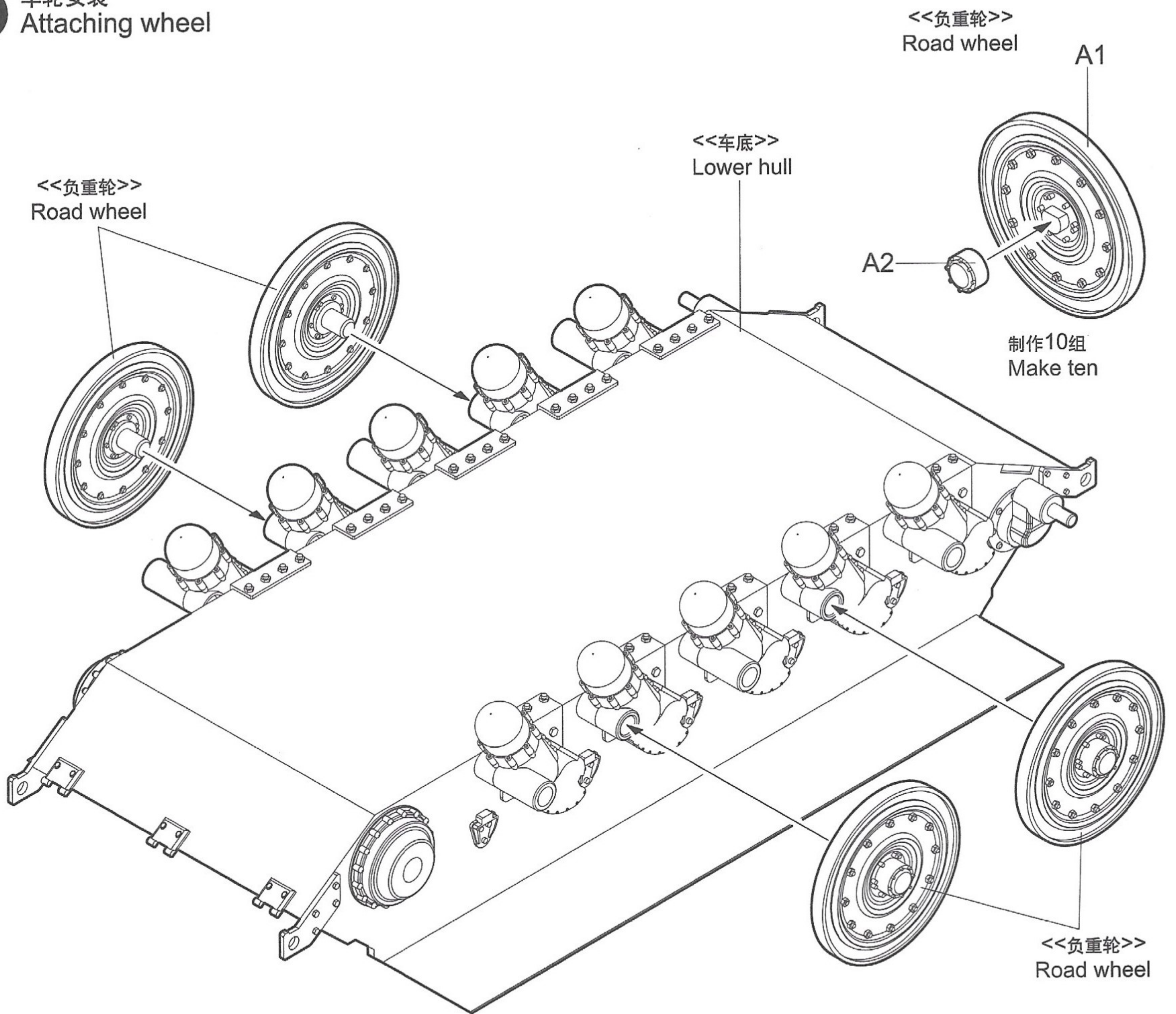
2 悬挂组装
Suspension assembly



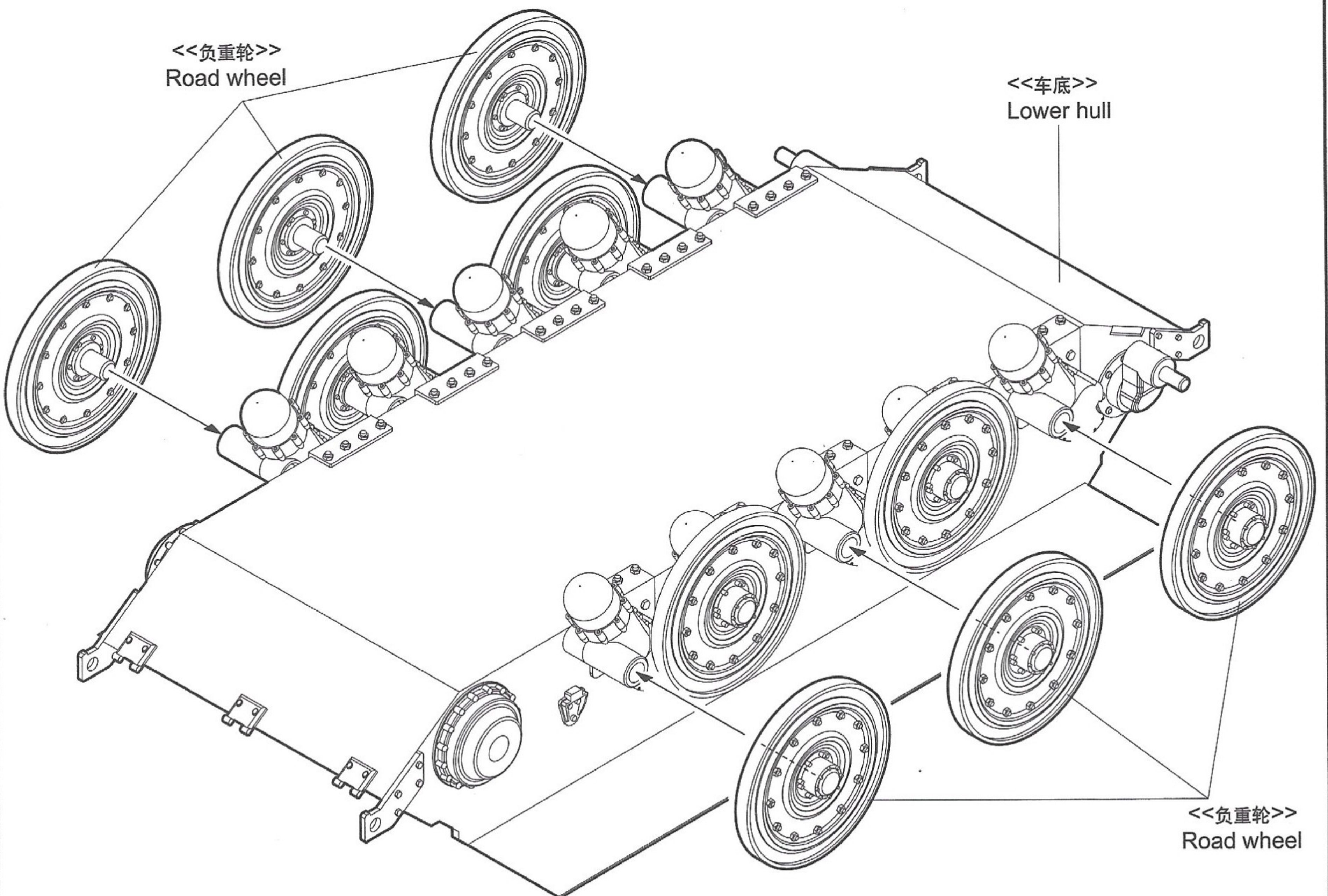
3



4 车轮安装
Attaching wheel



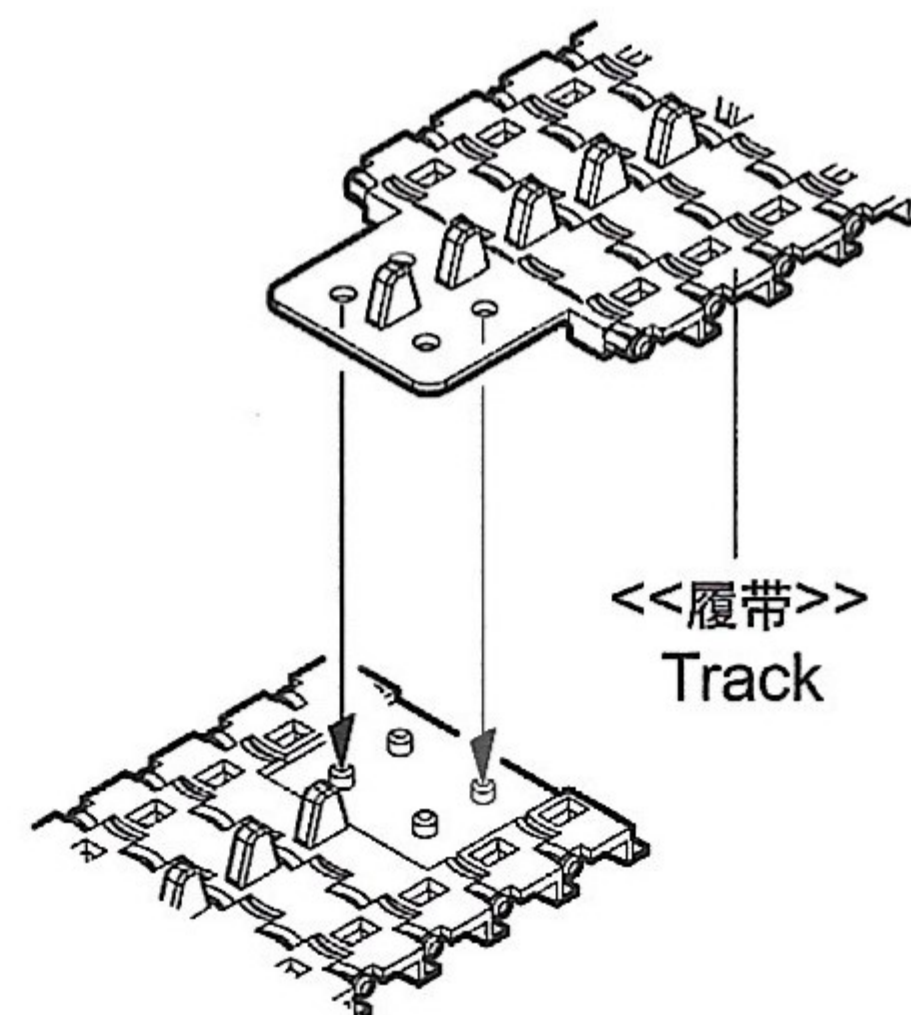
4 车轮安装
Attaching wheel



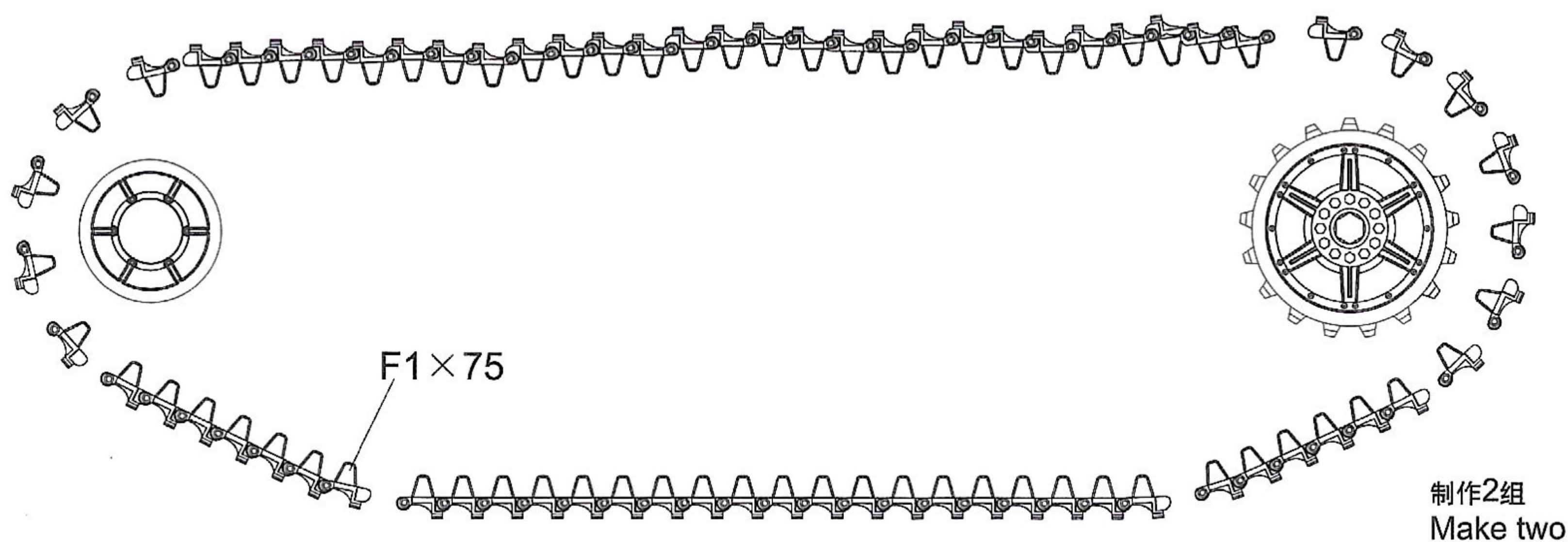
6 履带联接 Track construction

- * 履带可用塑料胶水粘合。
- * 履带可用模型油漆喷涂。
- * 若履带断裂，用细丝线固定。
- * The tracks in this kit can be glued using plastic cement.
- * The tracks can be painted using plastic paints.
- * If track is broken strengthen with staples or thread.

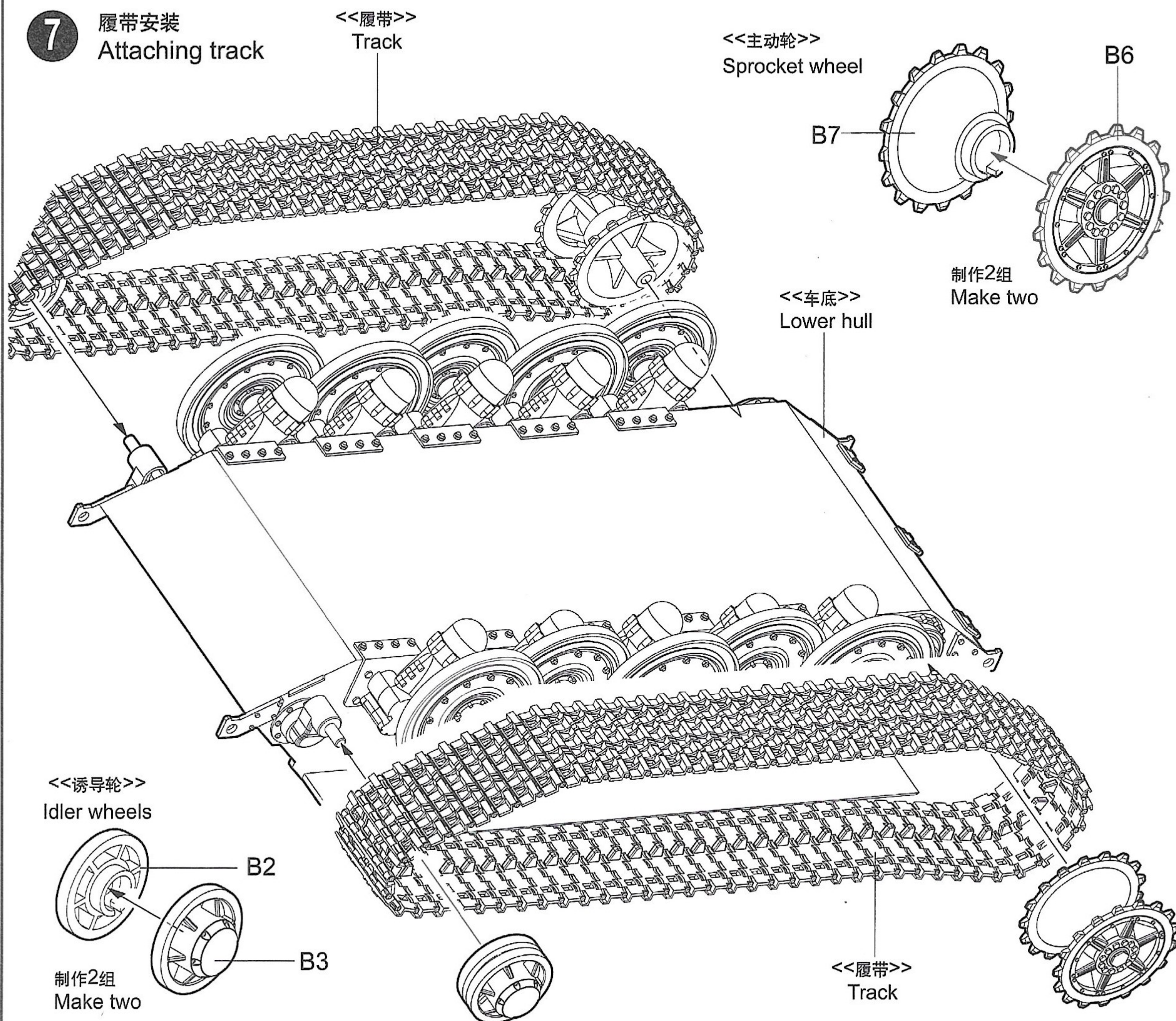
制作2组
Make two



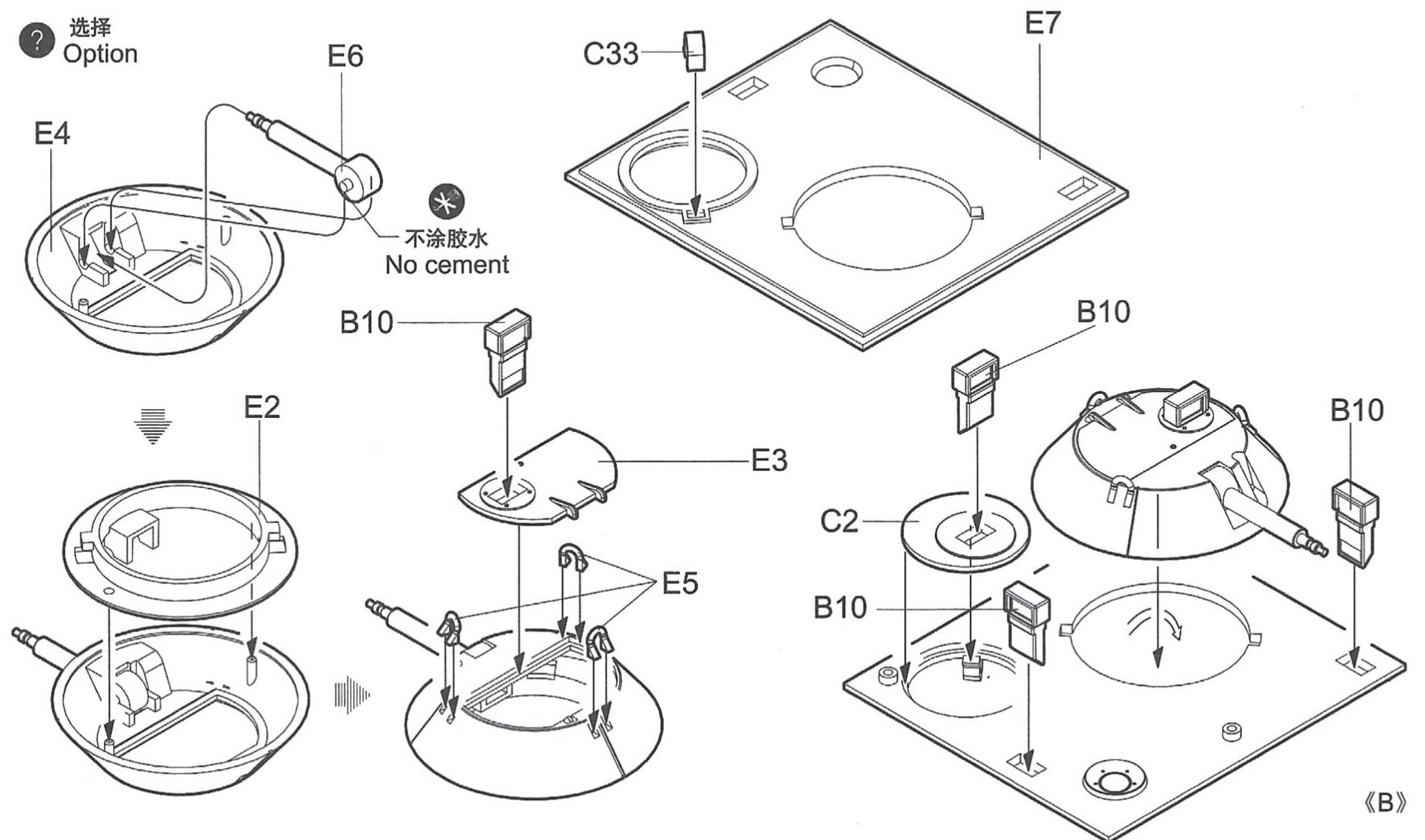
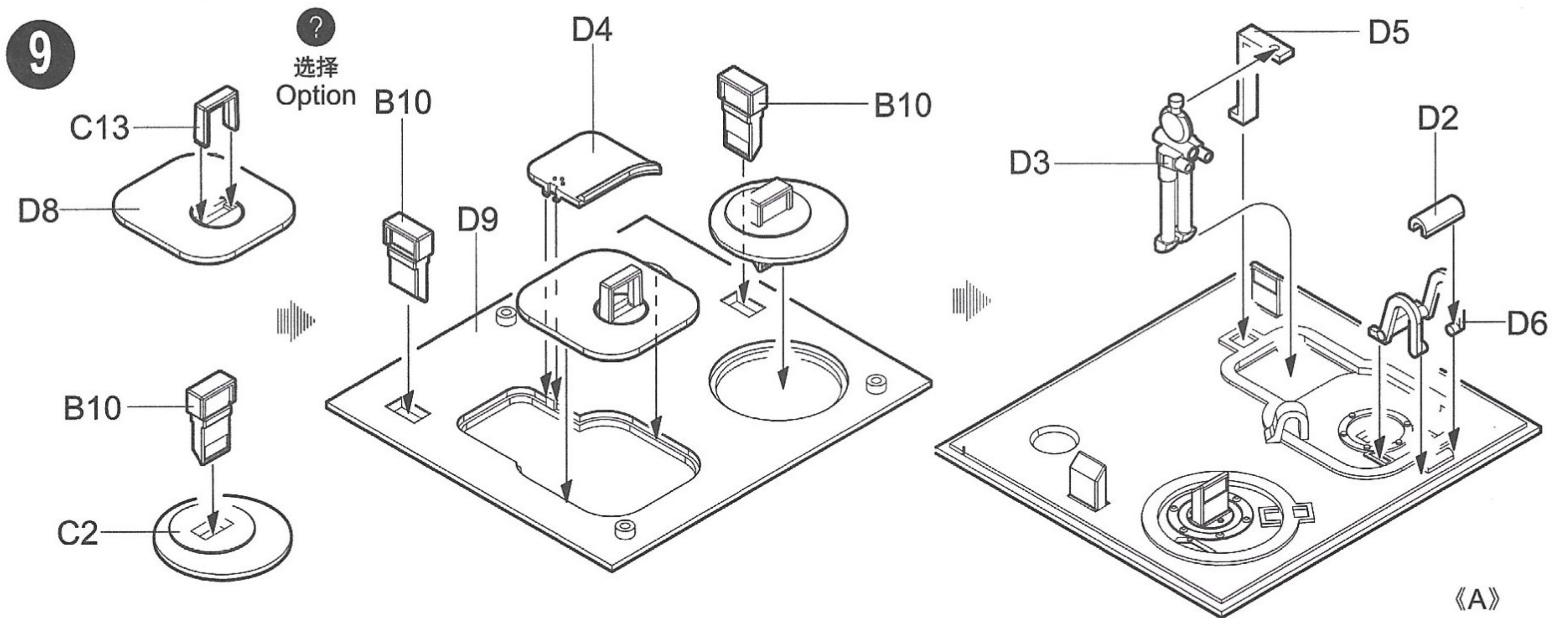
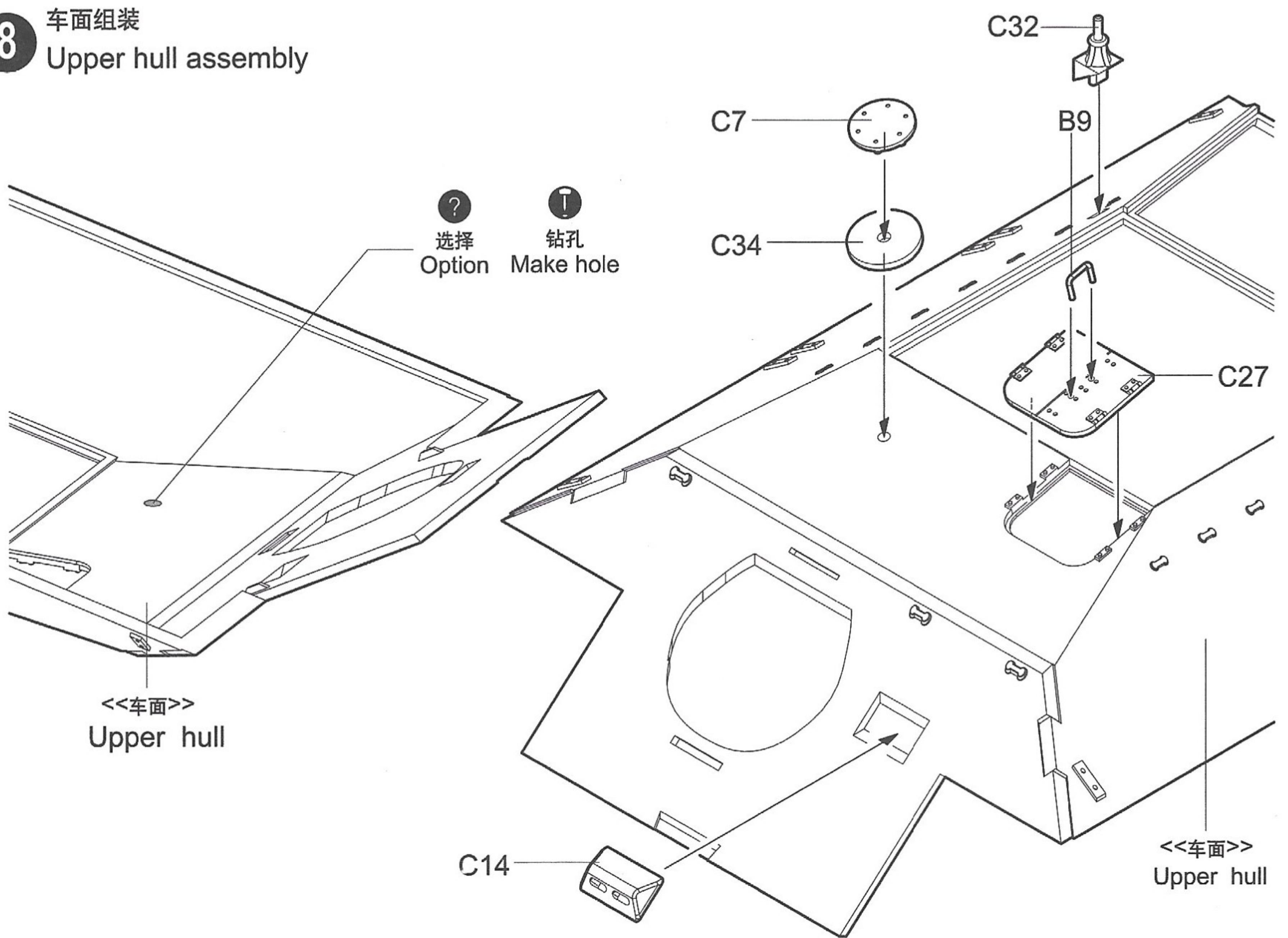
履带联接图示 Track construction chart



7 履带安装 Attaching track

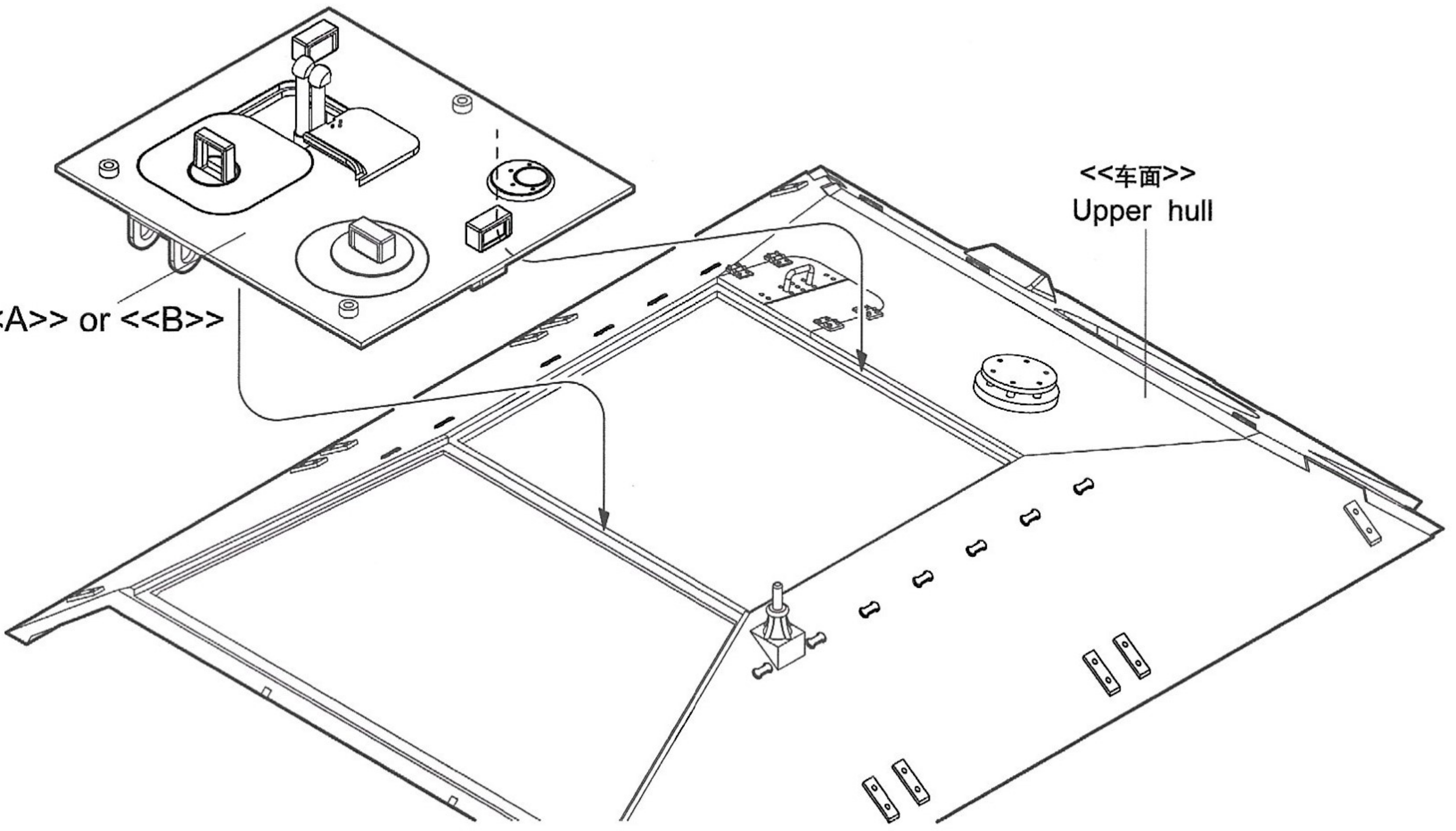


8 车面组装
Upper hull assembly



10

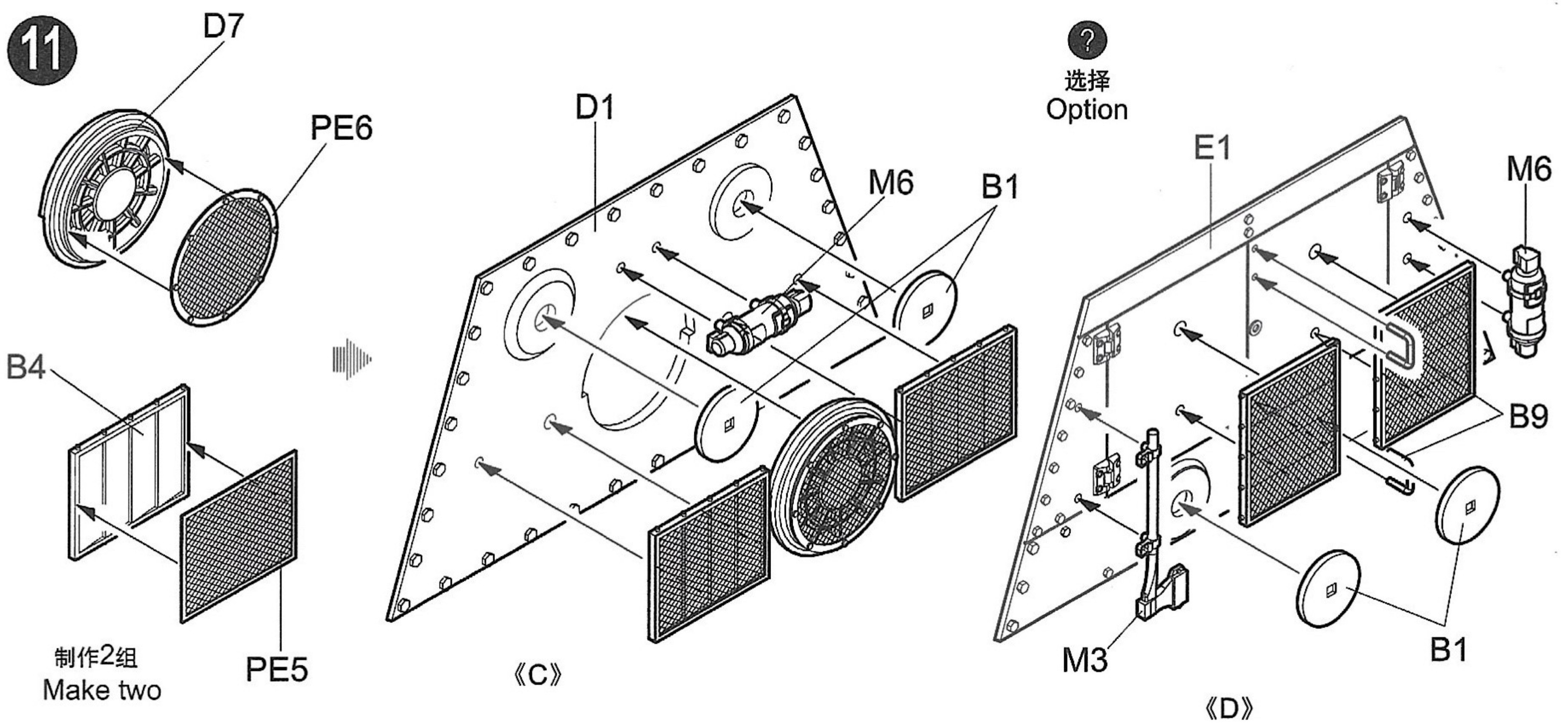
? 选择 Option



<<车面>>
Upper hull

11

? 选择 Option



制作2组
Make two

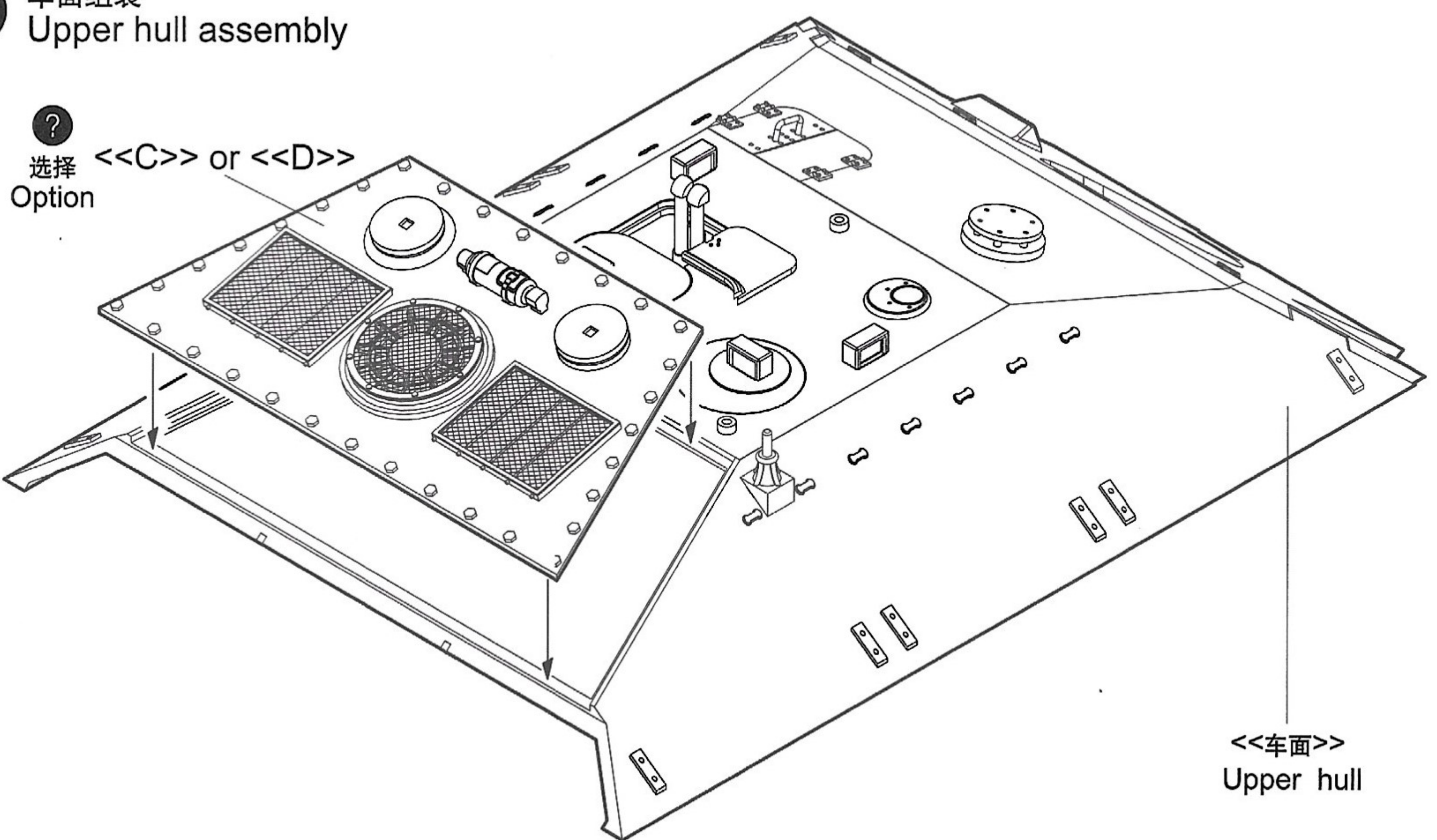
<C>

<D>

12

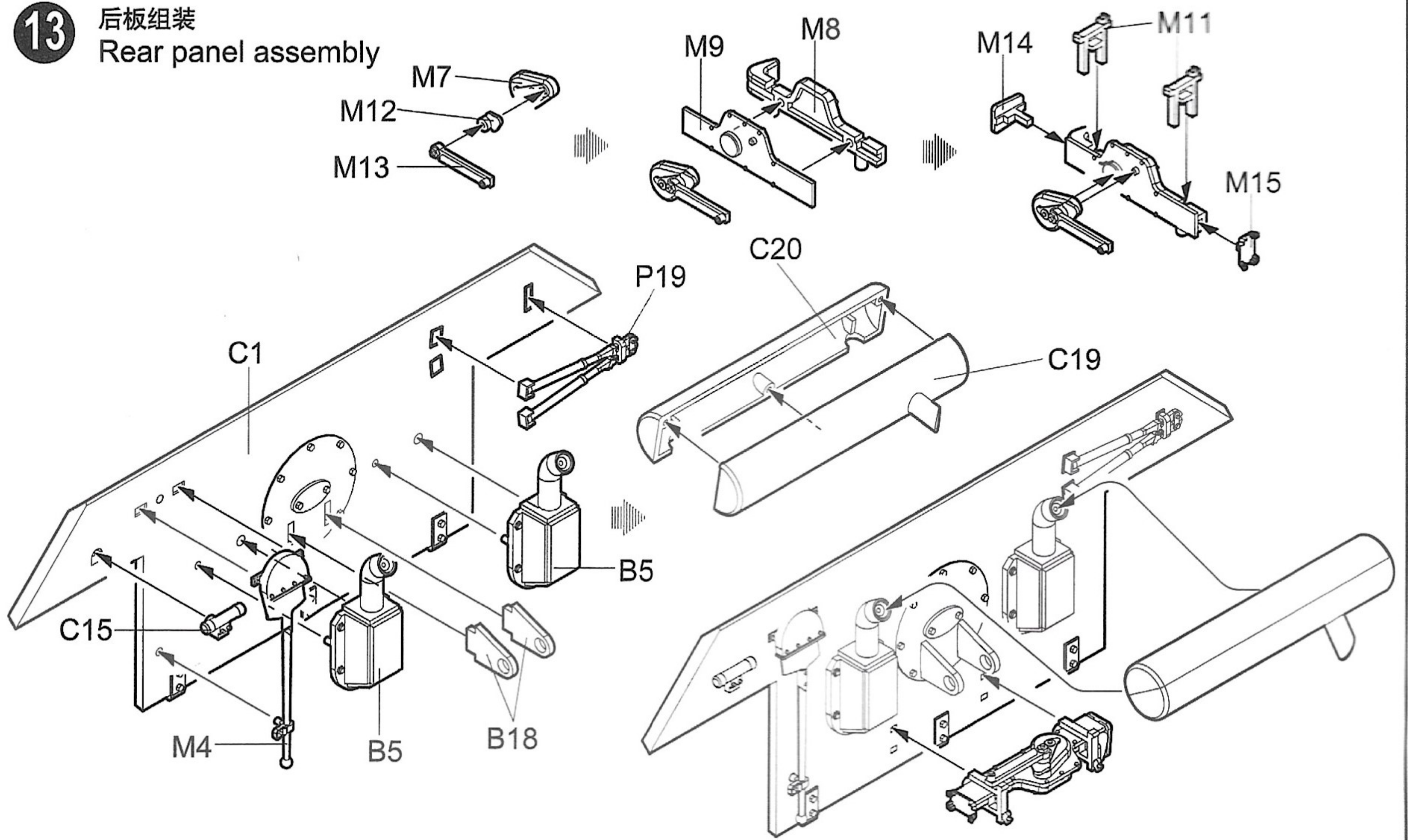
车面组装
Upper hull assembly

? 选择 Option

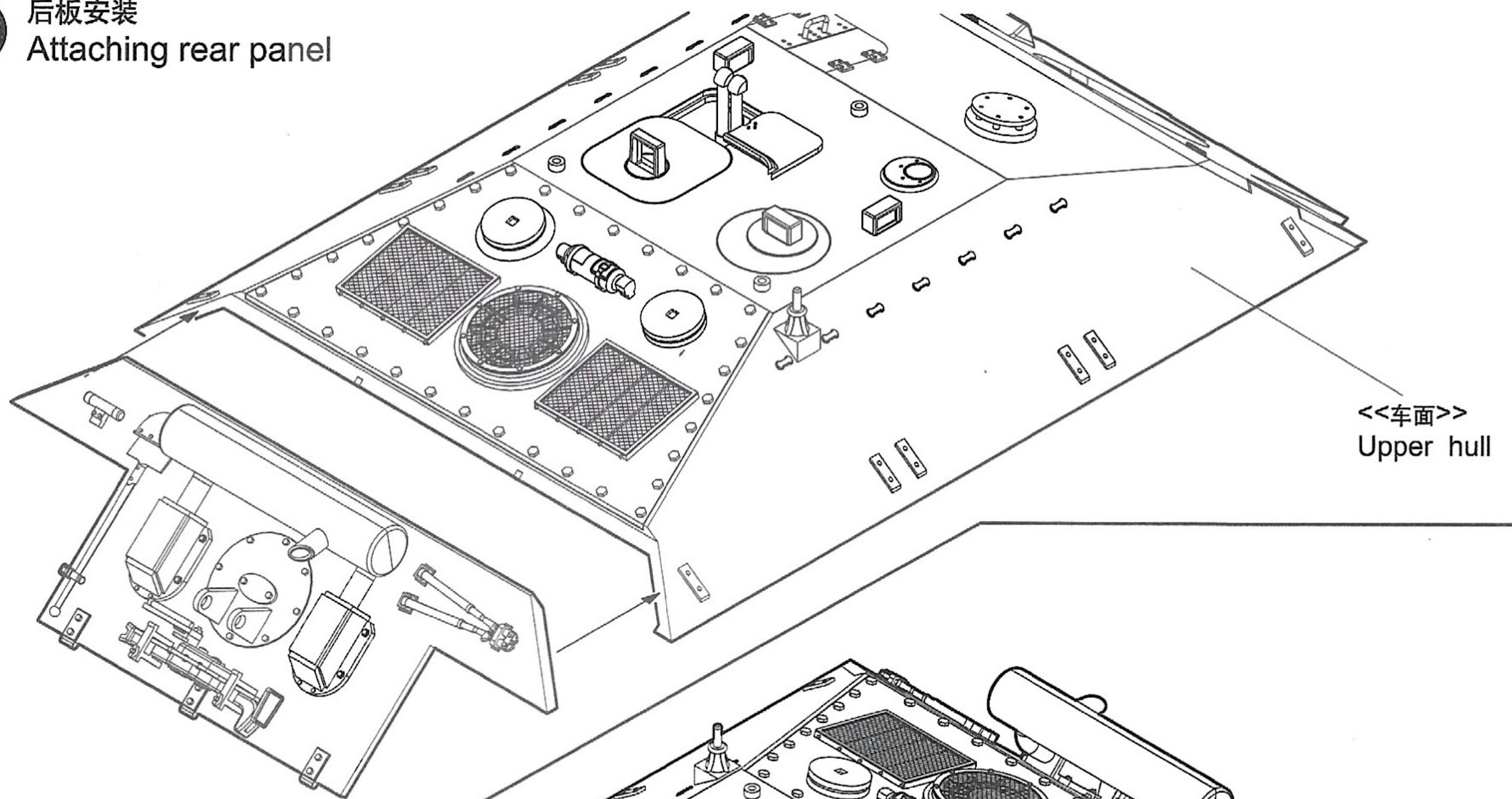


<<车面>>
Upper hull

13 后板组装
Rear panel assembly

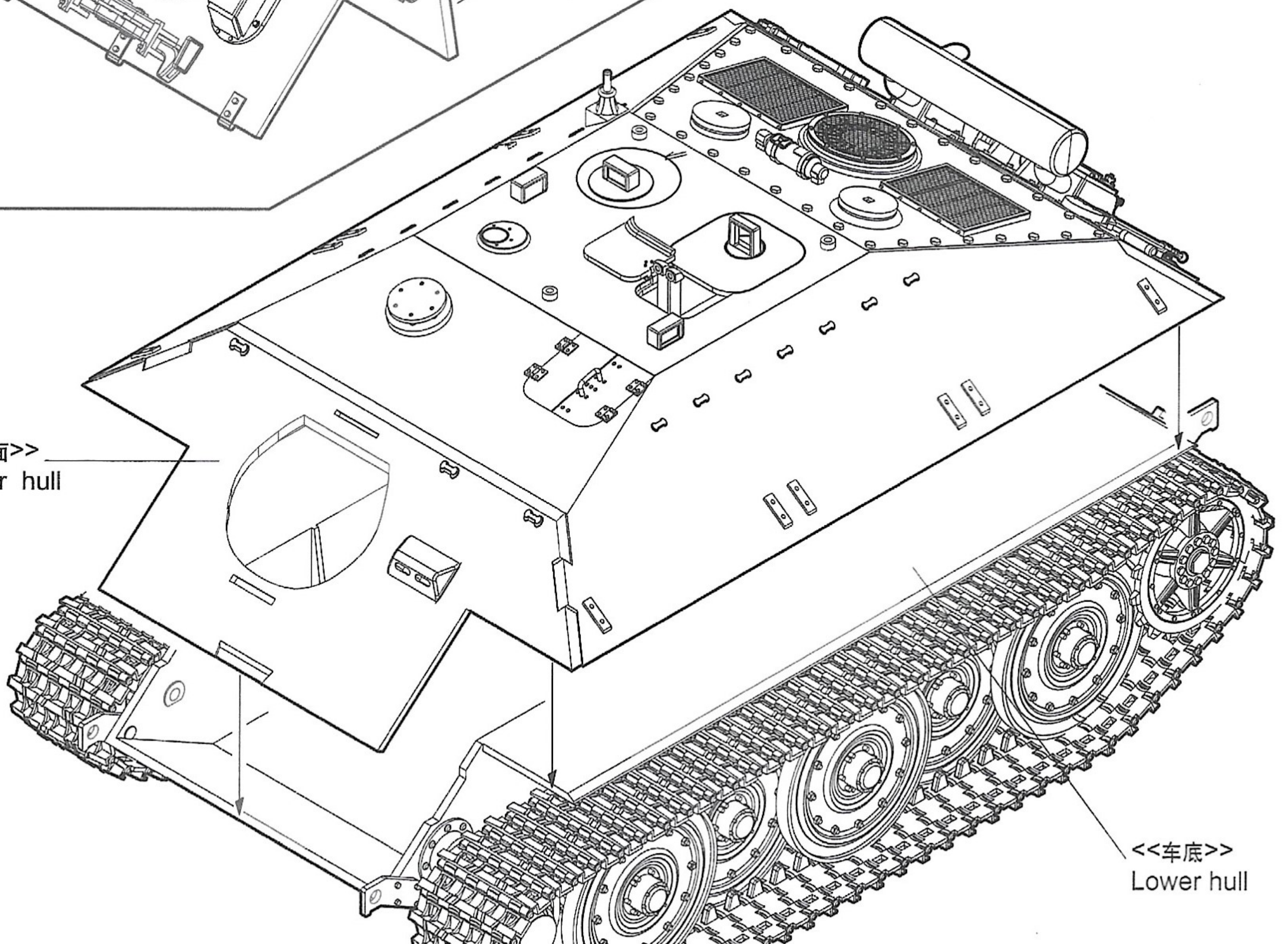


14 后板安装
Attaching rear panel

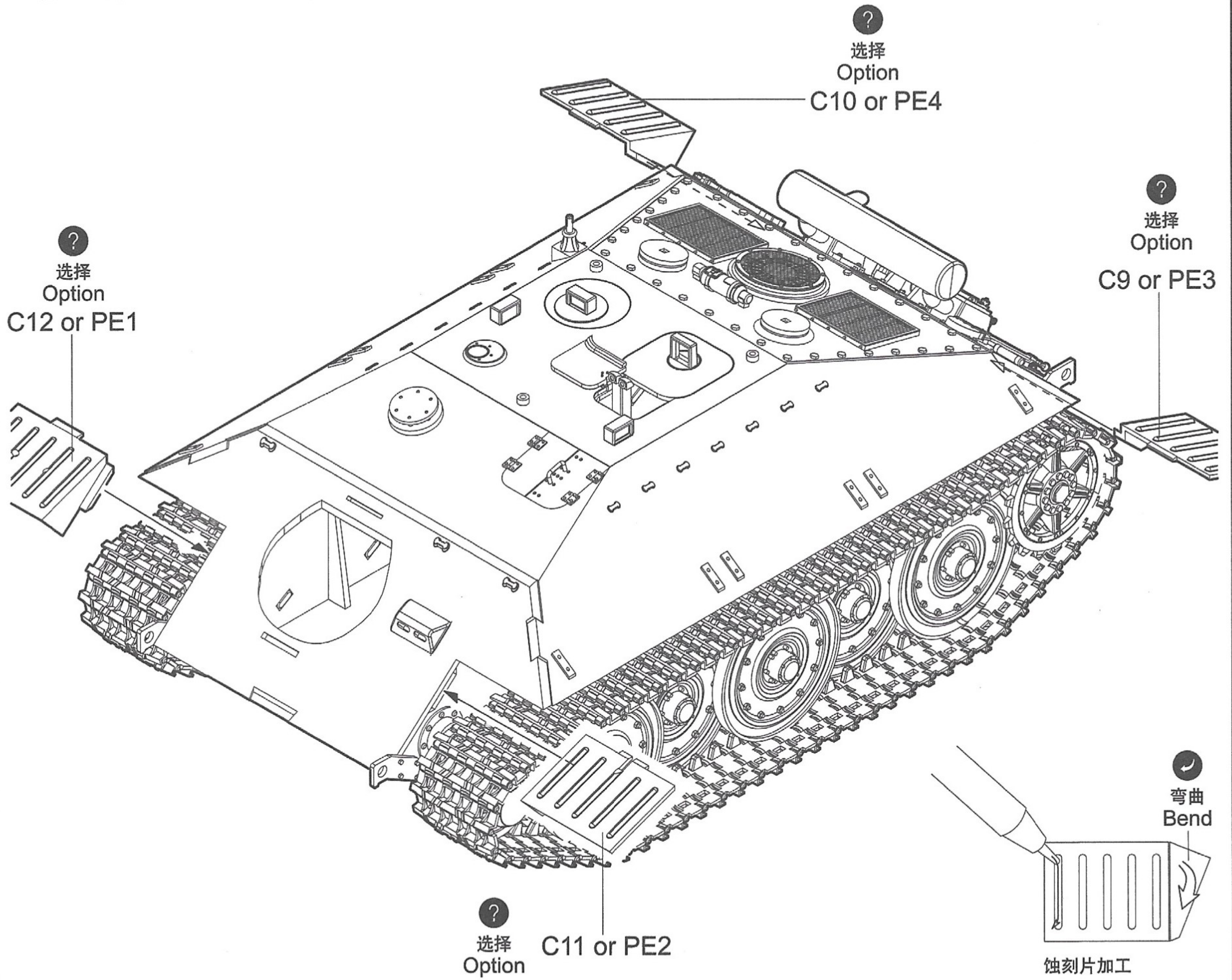


15

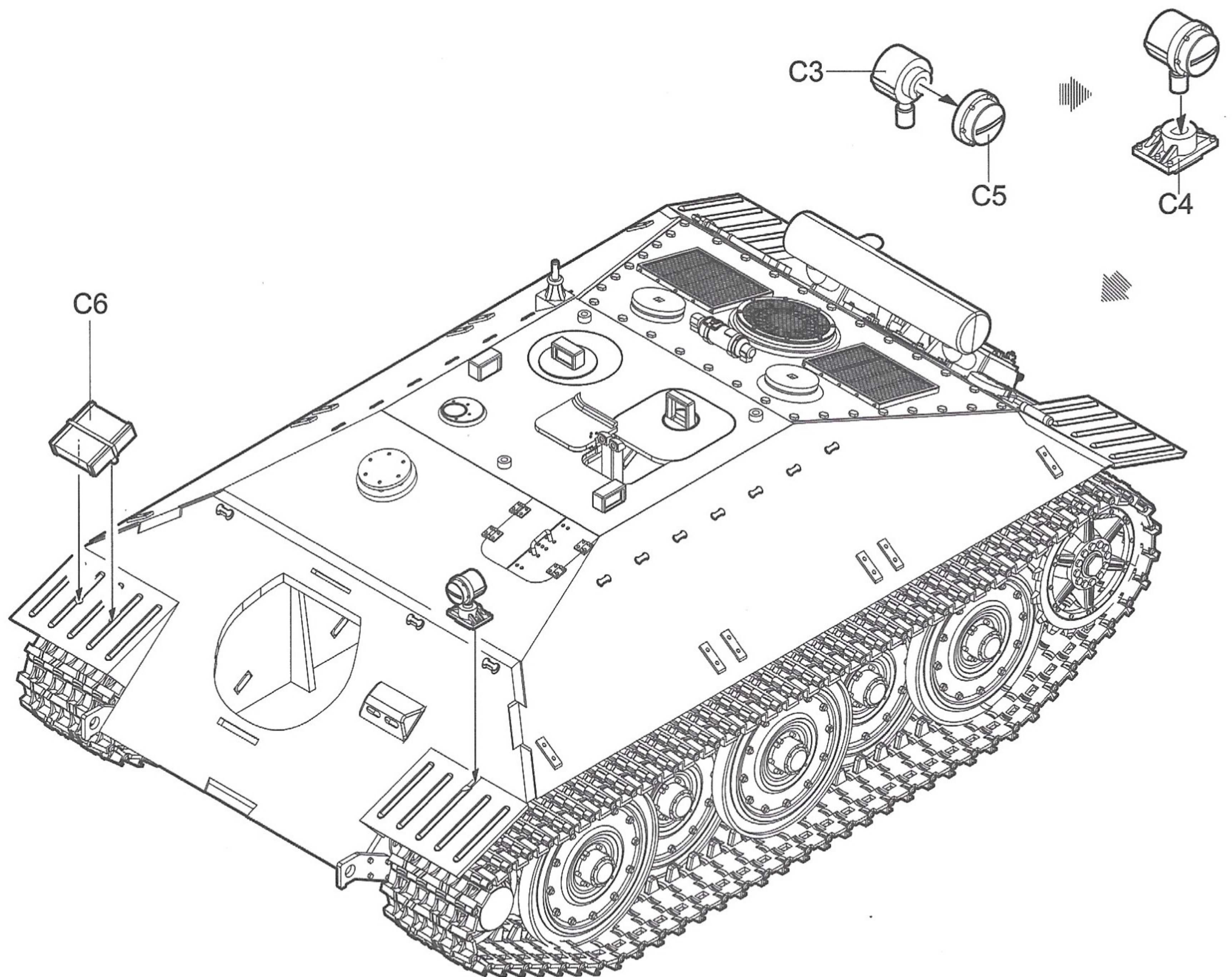
<<车面>>
Upper hull



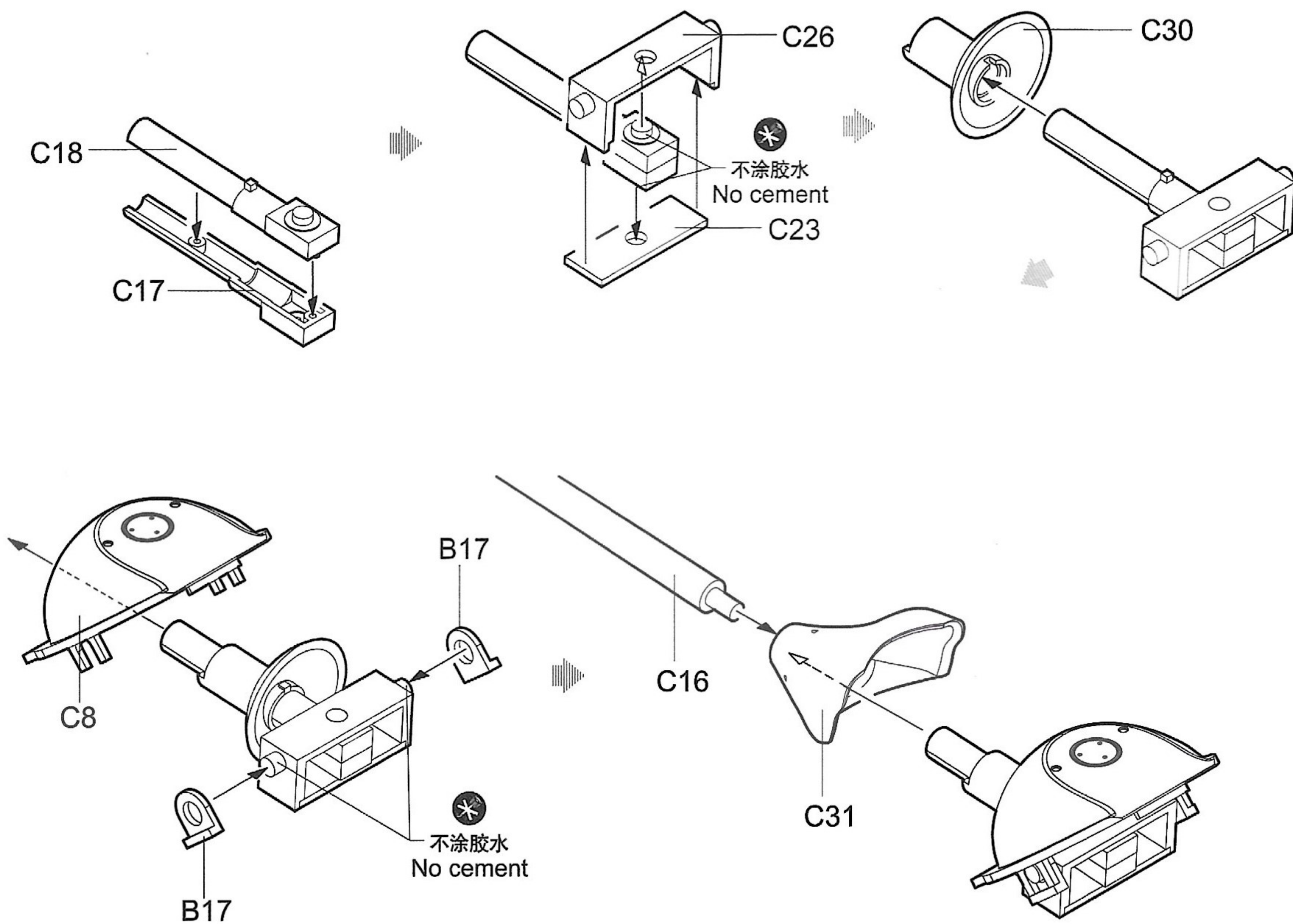
16 车面组装
Upper hull assembly



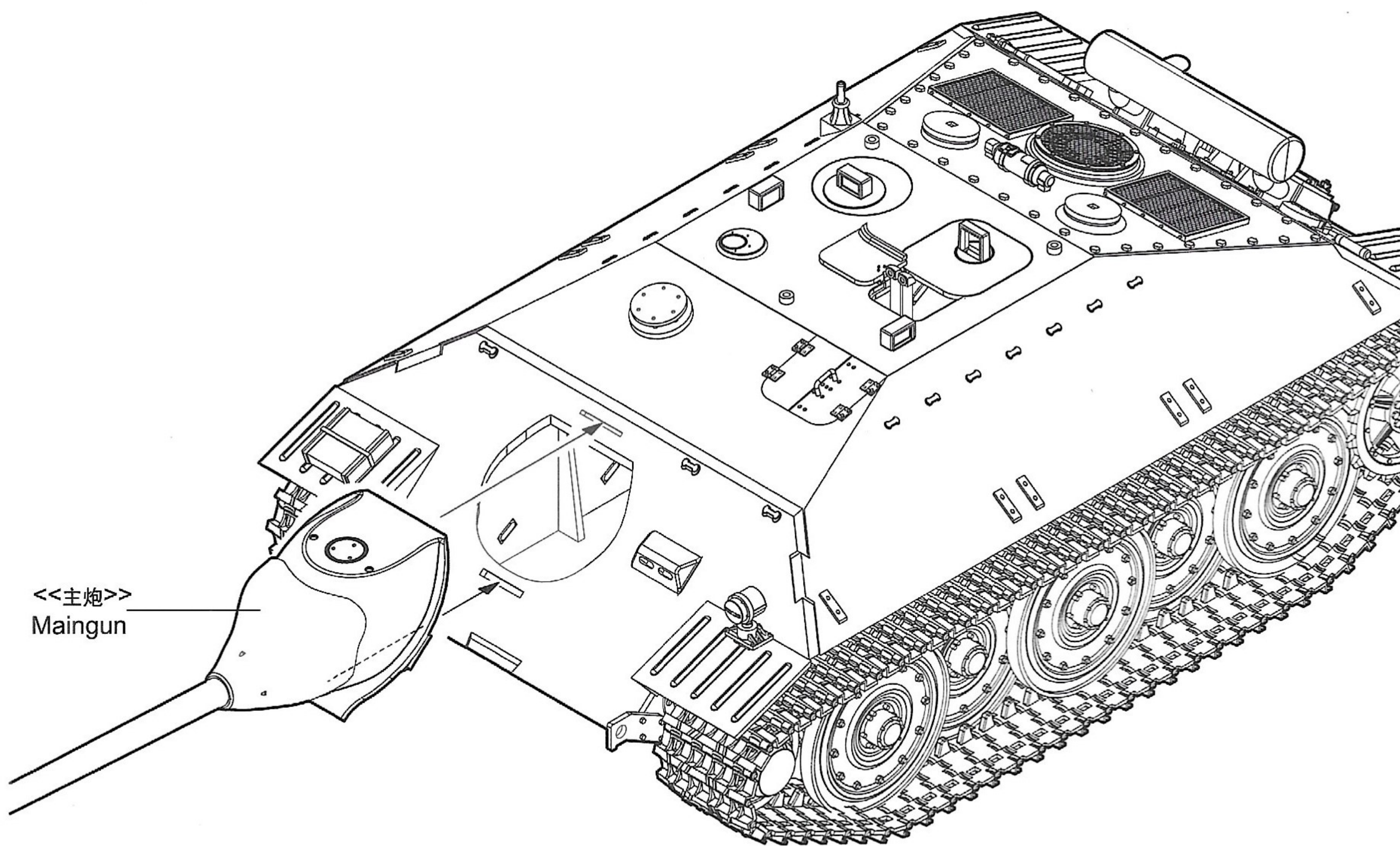
17



18 主炮组装
Maingun assembly



19 主炮安装
Attaching Maingun

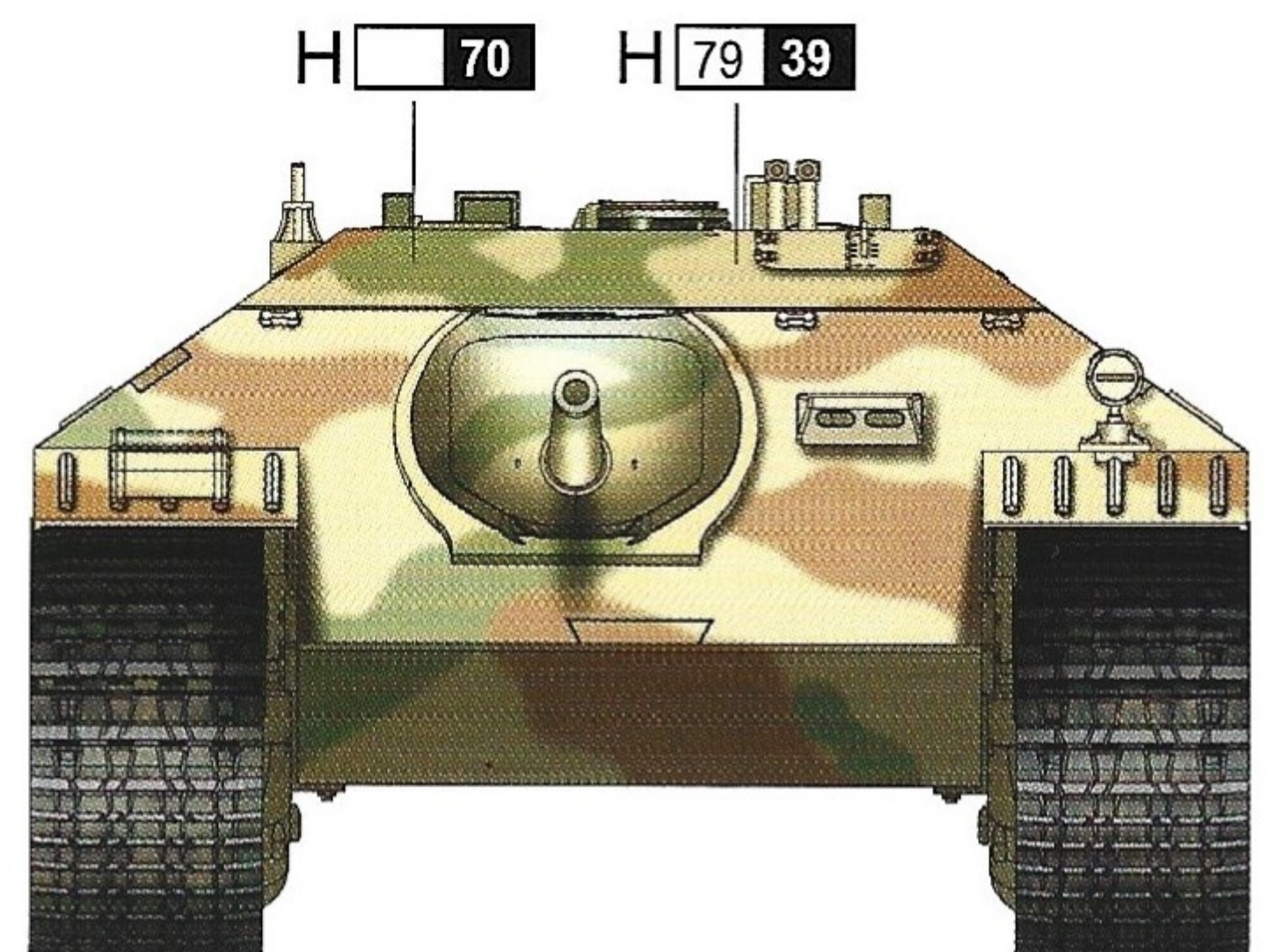
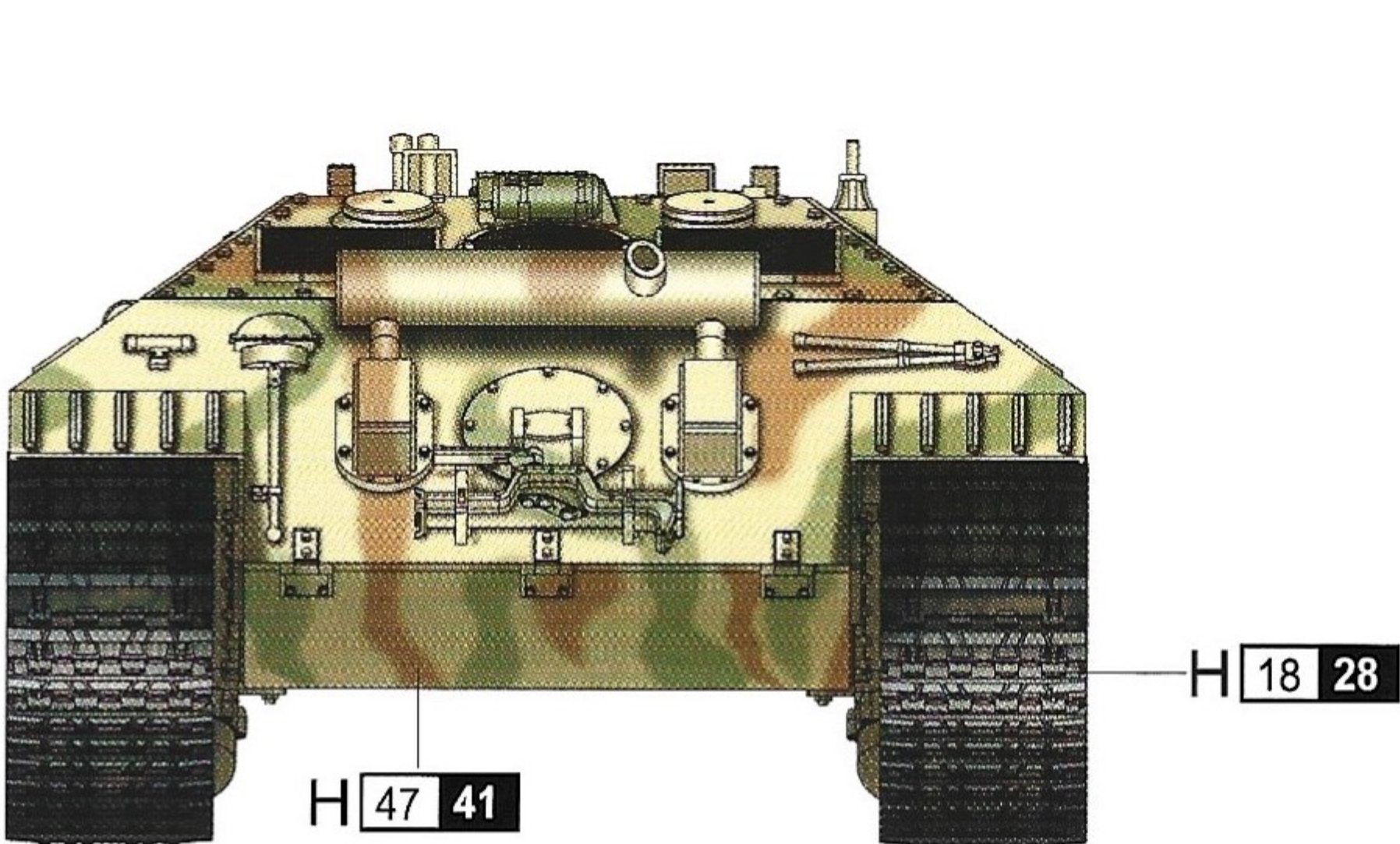
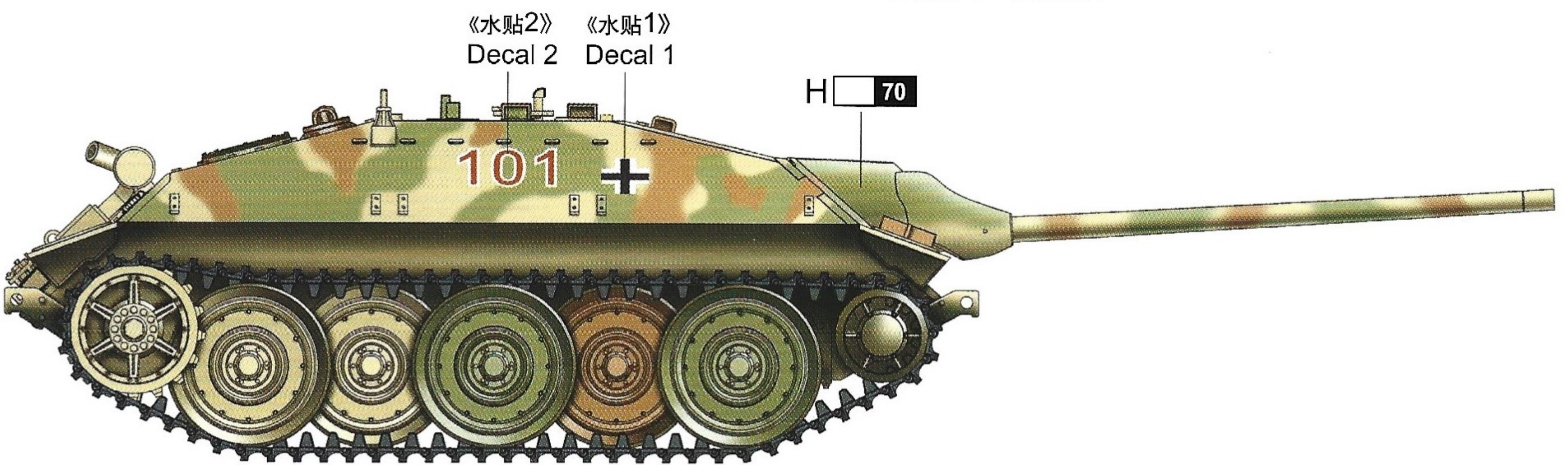
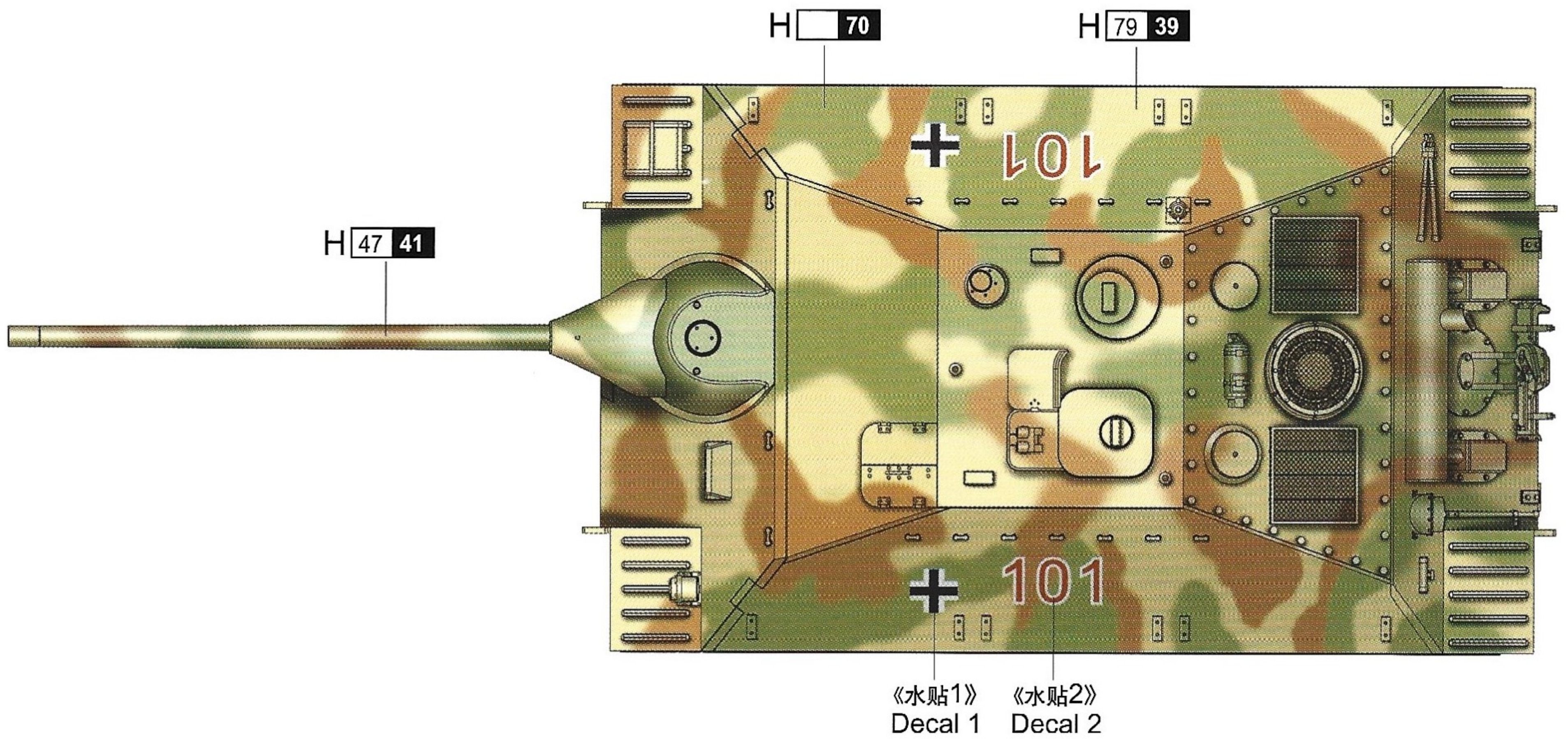
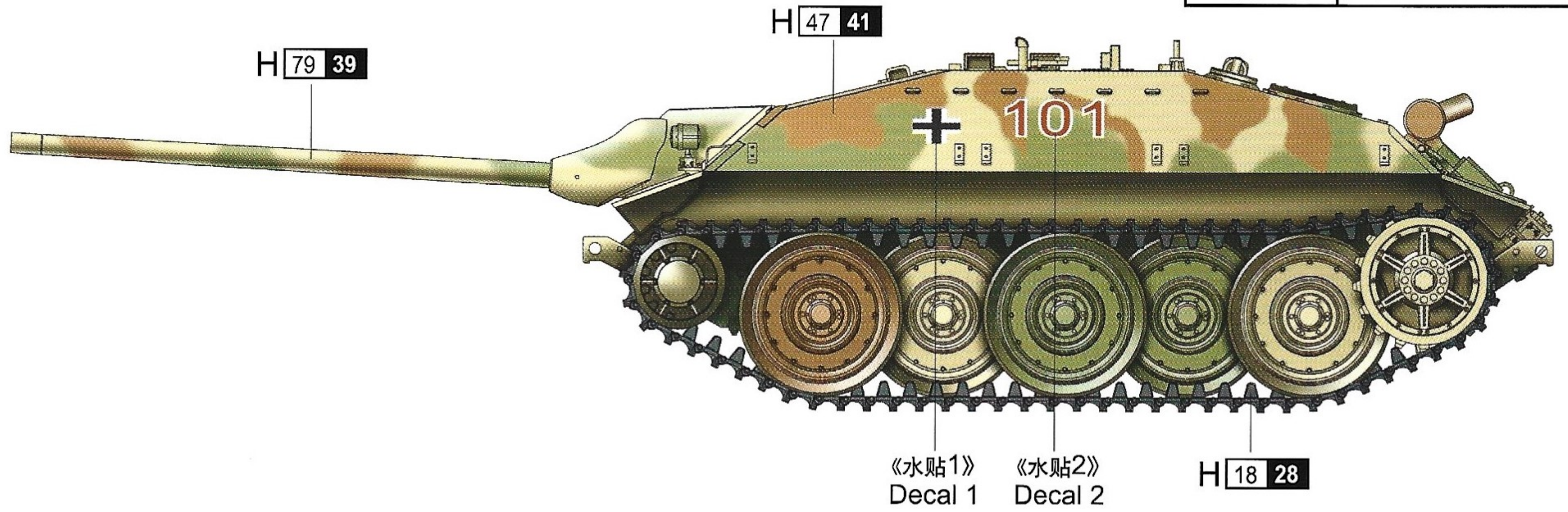


涂装同标贴指示

Painting & Marking guide

使用 MR.HOBBY 涂料 Mr. Color Used

H 18 28	黑铁色 Metal Black
H 79 39	砂黄色 Sandy Brown
H 47 41	红棕色 Red Brown
H 70	暗绿色 Dark Green



H AQUEOUS HOBBY COLOR Mr. COLOR